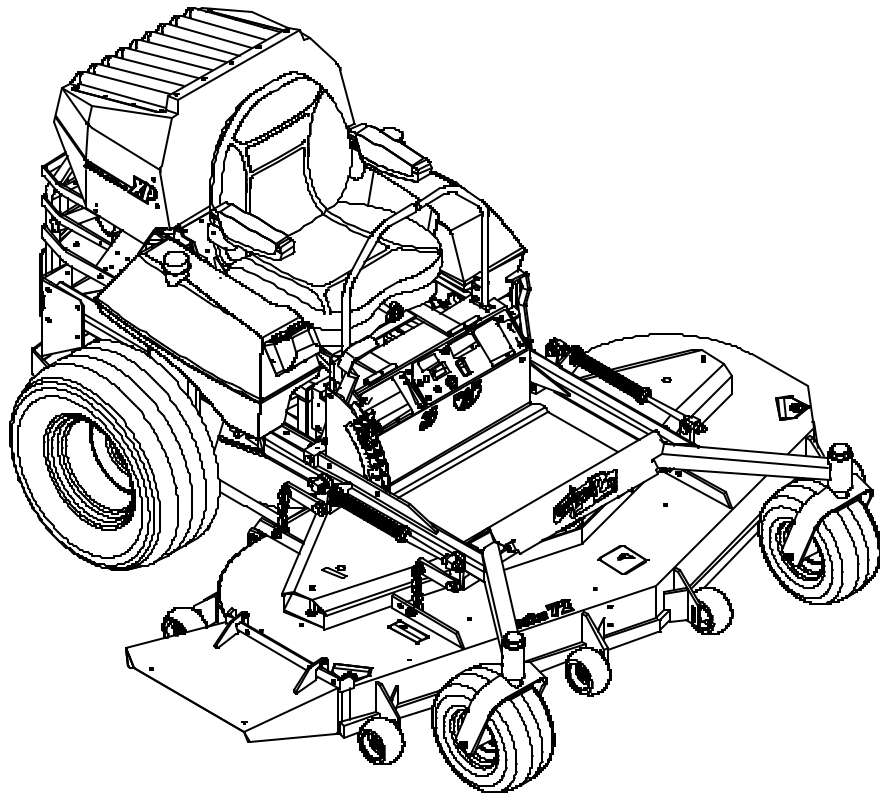


For Serial
260,000 & Higher



PART'S MANUAL

LAZER Z XP

CONGRATULATIONS on the purchase of your new Exmark mower. This product has been carefully designed and manufactured to give you a maximum amount of dependability and years of trouble-free operation.

If additional information is needed, or should you require trained mechanic service, contact your authorized Exmark equipment dealer or distributor.

If you need to order replacement parts from your dealer, always give the model number and serial number of your mower as well as the part number, description and quantity of the part needed.

The Serial No. plate is located on the right side of the console.

For ease of ordering and reference, we suggest that you record the information requested in the following identification table.

Model No. _____

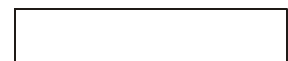
Serial No. _____

Engine Model No. _____

Engine Serial No. _____

Date Purchased _____

Paste Label From
Literature Packet Here



EXMARK PARTS PLUS[®] PROGRAM

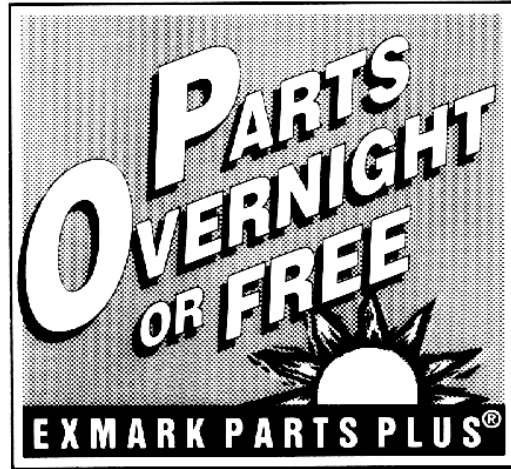
EFFECTIVE DATE: September 1, 1995

Program

If your Exmark dealer does not have the Exmark part in stock, Exmark will get the parts to the dealer the next business day or the part will be FREE* Guaranteed!!

How the Program Works

1. If dealer does not have part in stock for a "down" unit at the time of request by customer, the dealer contacts his distributor by 1:00 p.m., local time, and requests Exmark Parts Plus[®] shipment of six (6) line items or less.
2. Distributor ships part(s) to dealer or customer, as requested by dealer, same day, overnight UPS. Distributor bills dealer for part and freight charges where applicable.
3. If distributor does not have the part(s) in stock to satisfy Exmark Parts Plus[®] order, he contacts Exmark by 3:00p.m., central time, with an Exmark Parts Plus[®] order of six (6) line items or less.
4. If order is received by 3:00 p.m. central time, Exmark ships part(s) direct to dealer or customer, as requested by distributor, same day, overnight UPS, Exmark bills the distributor for parts and shipping charges, where applicable.
5. The customer pays for the part and freight if it is shipped under the Exmark Parts Plus[®] and if it arrives in accordance to the program.
6. Who pays for the part and freight if it fails to arrive overnight in accordance to the program?
 - A. Under any circumstance the customer does not pay.
 - B. If the part does not arrive overnight due to:
 1. The dealer not submitting the Exmark Parts Plus[®] order to his Exmark distributor by 1:00 p.m., the dealer pays for the part and freight.
 2. The Distributor being unable to ship the part the same day or not submitting the Exmark Parts Plus[®] order to Exmark by 3:00 p.m., central time, the Distributor pays for the part and freight.
 3. Exmark being unable to ship the part and the Exmark parts order is received by 3:00 p.m., central time, Exmark pays for the part and freight.
 4. If the part does not arrive overnight due to the shipper (UPS), the shipper pays for the freight and Exmark pays for the part.



The following restrictions apply -- The Exmark Parts Plus[®] Program is available only through participating Exmark Dealers and applies only to orders submitted on this program Monday through Thursday. Parts Plus service is available only in the 48 contiguous United States. UPS has initiated a Saturday delivery program to many areas of the continental United States and can be requested for an overnight shipment on Friday to be delivered Saturday. The next day air charge, plus the Saturday delivery fee will be the responsibility of the purchaser. Exmark Mfg. will assume no responsibility for Saturday delivery shipments. To qualify, all Exmark Parts Plus[®] orders must be received by Exmark by 3:00 p.m., central time. Orders must be six (6) line items or less. Exclusions from the Exmark Parts Plus[®] Program are: Any wholegood or accessory in its entirety, engines and engine replacement parts, 5-speed Peerless transmissions and 5-speed transaxles, hydraulic or hydrostatic wheel motors, cutter decks and engine decks or any item exceeding United Parcel Service size and weight restrictions.

Due to UPS restrictions, aerosol spray paint is considered a hazardous material and cannot be shipped via UPS next day or Second Day Air.

Exmark Manufacturing stocks a limited supply of parts for transaxles, pumps and wheel motors. These parts can be ordered for Next Day Air shipment but will not be guaranteed per the Parts Plus Program

**READ OPERATOR'S MANUAL BEFORE
OPERATING OR SERVICING EXMARK EQUIPMENT.**

TABLE OF CONTENTS

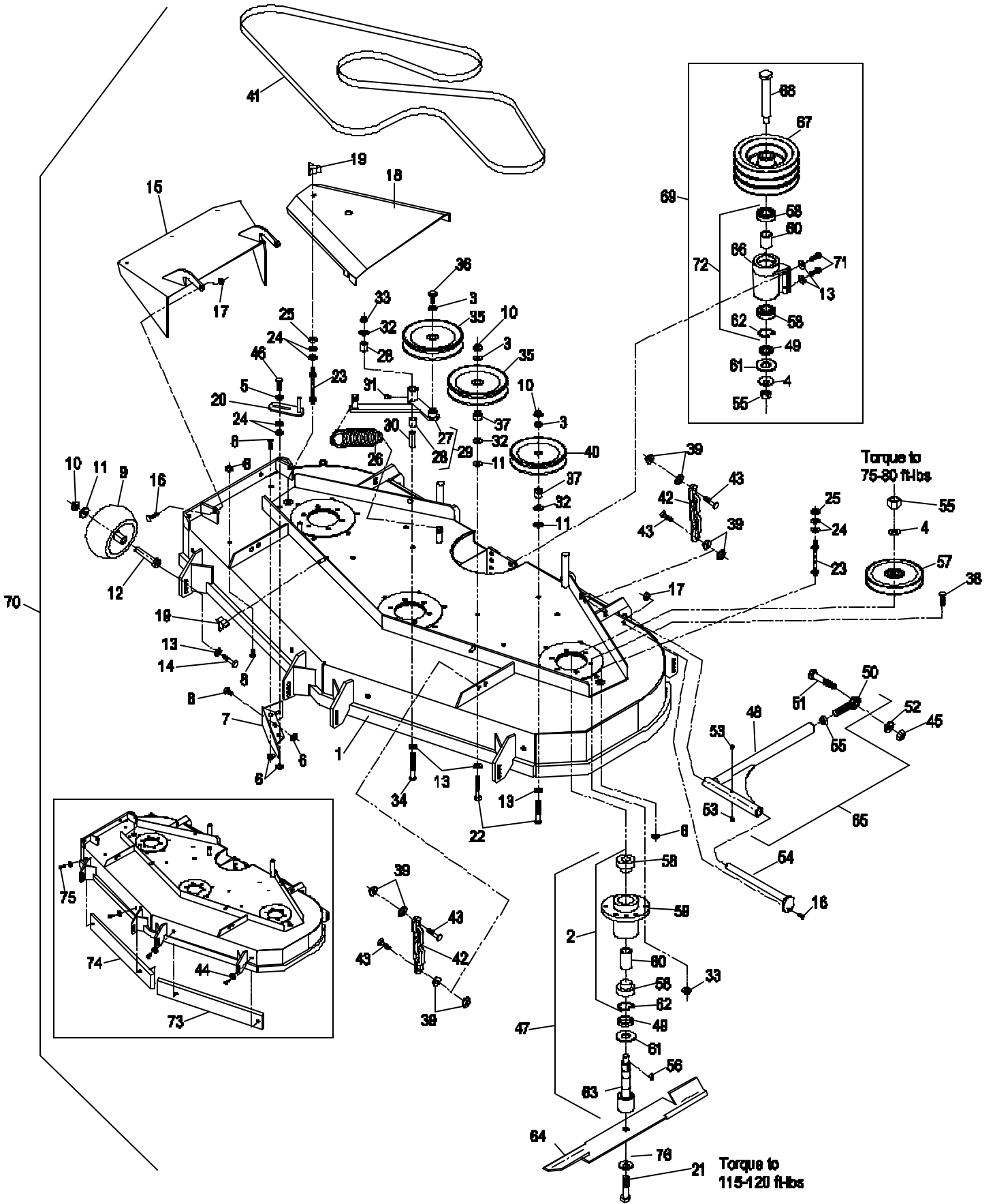
<u>Description</u>	<u>Page</u>
60" Deck Group	3-4
72" Deck Group	5-6
Decal Group	21-22
Electrical Diagram 27 HP Diahatsu Diesel.....	25
Electrical Group 27 HP Diahatsu Diesel.....	23-24
Electrical Logic Schematic 27 HP Diahatsu Diesel.....	26
Electrical Diagram 31 HP Diahatsu Gas.....	29
Electrical Group 31 HP Diahatsu Gas	27-28
Electrical Logic Schematic 31 HP Diahatsu Gas.....	30
Engine Cooling Group	17-18
Engine Deck Group	13-14
Front Frame Group	7-8
Fuel Group.....	10-11
Hydraulic Group	19-20
Main Frame Group	9
Motion Control Levers	31
Park Brake Group	12
Upper Frame Group	15-16

60" DECK GROUP

Ref. No.	Part No.	Description	Qty. Req'd.	Ref. No.	Part No.	Description	Qty. Req'd.
1	103-1423-01	Deck wldmt, 60.....	1	40	1-603805	Idler pulley 5.06 O.D. V	1
	103-1589	Deck wldmt, 60 w/decals....	1	41	1-633127	Belt, blade drive 60" deck.....	1
2	1-634619	Housing w/ring, spacer, brg.	3	42	1-633447	Chain.....	4
3	3256-24	Washer, 3/8 SAE.....	3	43	1-800811	Screw, 7/16-14 x 1-1/2.....	8
4	1-513208	Washer, disc Spring.....	4	44	1-513435	Washer, 1/2 disc spring	4
5	1-303334	Washer, 5/16 disc spring....	1	45	3217-11	Nut, 5/8-11 hex	2
6	32128-20	Nut, 5/16-18 whizlock.....	6	46	322-6	Screw, 5/16-18 x 1 1/4.....	1
7	1-602913-01	Baffle wldmt, discharge.....	1	47*	103-1140	Cutter housing complete	3
8	322-2	Screw, 5/16-18 x 5/8.....	3	48	103-1355-01	Strut wldmt, deck.....	2
9	1-603299	Roller, antiscalp.....	6	49	1-323533	Spacer shv/brg.....	4
10	3290-357	Nut, 3/8-16 whizlock.....	8	50	1-633029	Spherical rod end	2
11	1-373034	Washer, pivot	8	51	327-28	Screw, 5/8-11 x 5 1/2.....	2
12	1-603602	Bushing, roller	6	52	3253-8	Lockwasher, 5/8 reg.spring....	2
13	98-5975	Washer, 3/8 disc spring.....	13	53	302-19	Zerk, 1/4-28 straight.....	4
14	98-5961	Screw, 3/8-16 x 4 gr 8.....	6	54	1-632199-01	Pin wldmt, deck strut.....	2
15	103-1469-01	Chute, discharge 60"	1	55	3219-6	Nut, 5/8-18 hex	6
16	322-5	Screw, 5/16-18 x 1.....	4	56	3257-32	Key, # 61 Woodruff.....	3
17	3296-29	Nut, 5/16-18 nylock.....	4	57★	1-633701	Sheave, Blade drive.	3
18	1-633084-01	Shield, belt 60" (RH).....	1	58★	1-513016	Bearing.....	8
	103-1470-01	Shield, belt 60" (LH).....	1	59	1-323532	Housing, bearing	3
19	1-323385	Knob, belt shield.....	6	60	1-323528	Spacer, bearing.....	4
20	1-322110	Belt guide wldmt	1	61	1-633573	Guard, brg bottom	4
21	103-0862	Screw, 5/8-11 x 2 3/4 gr 8... 3		62	32120-8	Snap Ring.....	4
22	323-11	Screw, 3/8-16 x 2 1/4.....	2	63	103-0584	Spindle.....	3
23	1-303537	Stud, belt shield.....	2	64	1-633483	Blade, notched air foil	3
24	3256-3	Washer 5/16 std flat	6		1-613250	Blade, solid air foil	3
25	1-323417	Washer, rubber.....	2		1-613111	Blade, low lift	3
26	1-633151	Spring, extension.....	1	◆	1-613112	Blade, mulching	3
27	1-632119-01	Arm wldmt, deck idler.....	1		103-1580	Blade, bahia.....	3
28	1-513034	Bearing, pivot.....	2	65	103-1356	Strut wldmt S/A	2
29	1-634244	Arm wldmt/brg sub-assy	1	66	103-0280	Housing, Jackshaft	1
30	1-603044	Bushing, idler pivot	1	67★	103-0924	Sheave, Jackshaft Triple.....	1
31	302-40	Zerk, 1/4-20 90°	1	68	103-0926	Jackshaft	1
32	3256-4	Washer, 3/8 std flat.....	3	69	103-0929	Jackshaft Assy	1
33	3296-39	Nut, 3/8-16 nylock.....	19	70	103-1588	Complete Deck Assy	1
34	323-13	Screw, 3/8-16 x 2 3/4.....	1	71	323-6	Screw, 3/8-16 x 1	4
35	1-633109	Idler pulley 6.00 dia flat	2	72	103-1192	Asm,Jackshaft housing w/brgs	1
36	3234-11	Bolt, 3/8-16 x 1 whizlock	1	73	103-1515-01	Weight Bar	1
37	1-633456	Bushing, Idler	2	74	103-1522-01	Weight Bar wldmt.....	1
38	323-8	Screw, 3/8-16 x 1 1/2.....	18	75	325-4	Screw, 1/2-13 x 1	4
39	32128-37	Nut, 7/16-14 whizlock.....	16	76	103-0865	Washer,Heavy blade bolt.....	3

Exmark red touch up spray paint - P/N 1-850337

- ★ Use antiseize on bore of sheaves and bearings.
- * Cutter housing complete includes sheave, washer, nut, blade bolt & disc spring washer.
- ◆ Requires installation of Micro-Mulch accessory for proper mulching. Mulch kit P/N MK604



72" DECK GROUP

Ref. No.	Part No.	Description	Qty. Req'd.	Ref. No.	Part No.	Description	Qty. Req'd.
1	103-0996-01	Deck wldmt, 72.....	1	38	323-8	Screw, 3/8-16 x 1 1/2.....	18
	103-1591	Deck wldmt, 72 w/decals....	1	39	32128-37	Nut, 7/16-14 whizlock.....	16
2	1-634619	Housing w/ring, spacer, brg.	3	40	1-603805	Idler pulley 5.06 O.D. V	1
3	3256-24	Washer, 3/8 SAE.....	3	41	1-643052	Belt, blade drive 72" deck.....	1
4	1-513208	Washer, disc Spring.....	4	42	1-633447	Chain.....	4
5	1-303334	Washer, 5/16 disc spring....	1	43	1-800811	Screw, 7/16-14 x 1-1/2.....	8
6	32128-20	Nut, 5/16-18 whizlock.....	9	44	323-6	Screw, 3/8-16 x 1.....	4
7	1-602913-01	Baffle wldmt, discharge.....	1	45	3217-11	Nut, 5/8-11 hex	2
8	322-2	Screw, 5/16-18 x 5/8.....	6	46	103-1192	Asm,Jackshaft housing w/brgs	1
9	1-603299	Roller, antiscalp.....	6	47*	1-644092	Cutter housing complete	3
10	3290-357	Nut, 3/8-16 whizlock.....	8	48	103-0100-01	Strut wldmt, deck.....	2
11	1-373034	Washer, pivot	8	49	1-323533	Spacer shv/brg	4
12	1-603602	Bushing, roller	6	50	1-633029	Spherical rod end	2
13	98-5975	Washer, 3/8 disc spring.....	13	51	327-28	Screw, 5/8-11 x 5 1/2.....	2
14	98-5961	Screw, 3/8-16 x 4 gr 8.....	6	52	3253-8	Lockwasher, 5/8 reg.spring....	2
15	1-642071-01	Chute, discharge 72"	1	53	302-19	Zerk, 1/4-28 straight.....	4
16	322-5	Screw, 5/16-18 x 1.....	5	54	1-632199-01	Pin wldmt, deck strut.....	2
17	3296-29	Nut, 5/16-18 nylock.....	4	55	3219-6	Nut, 5/8-18 hex	6
18	1-643076-01	Shield, belt 72" (RH).....	1	56	3257-32	Key, # 61 Woodruff.....	3
	1-643075-01	Shield, belt 72" (LH).....	1	57★	1-643269	Sheave, Blade drive.	3
19	1-323385	Knob, belt shield.....	6	58★	1-513016	Bearing.....	8
20	1-322110	Belt guide wldmt	1	59	1-323532	Housing, bearing	3
21	103-0862	Screw, 5/8-11 x 2 3/4 gr 8... 3		60	1-323528	Spacer, bearing.....	4
22	323-11	Screw, 3/8-16 x 2 1/4.....	2	61	1-633573	Guard, brg bottom	4
23	1-303537	Stud, belt shield.....	2	62	32120-8	Snap Ring.....	4
24	3256-3	Washer 5/16 std flat	4	63	103-0584	Spindle.....	3
25	1-323417	Washer, rubber.....	2	64	1-643006	Blade, notched air foil	3
26	1-633151	Spring, extension.....	1		1-643429	Blade, solid air foil	3
27	1-632119-01	Arm wldmt, deck idler.....	1		1-643428	Blade, low lift	3
28	1-513034	Bearing, pivot.....	2	◆	1-643097	Blade, mulching	3
29	1-634244	Arm wldmt/brg sub-assy.....	1		103-1581	Blade, bahia.....	3
30	1-603044	Bushing, idler pivot.....	1	65	103-0840	Strut wldmt S/A	2
31	302-40	Zerk, 1/4-20 90°	1	66	103-0280	Housing, Jackshaft	1
32	3256-4	Washer, 3/8 std flat.....	3	67★	103-0924	Sheave, Jackshaft Triple.....	1
33	3296-39	Nut, 3/8-16 nylock.....	19	68	103-0926	Jackshaft	1
34	323-13	Screw, 3/8-16 x 2 3/4.....	1	69	103-0929	Jackshaft Assy	1
35	1-633109	Idler pulley 6.00 dia flat	2	70	103-1590	Complete Deck Assy.....	1
36	3234-11	Bolt, 3/8-16 x 1 whizlock	1	71	103-0865	Washer,Heavy blade bolt.....	3
37	1-633456	Bushing, Idler	2				

Exmark red touch up spray paint - P/N 1-850337

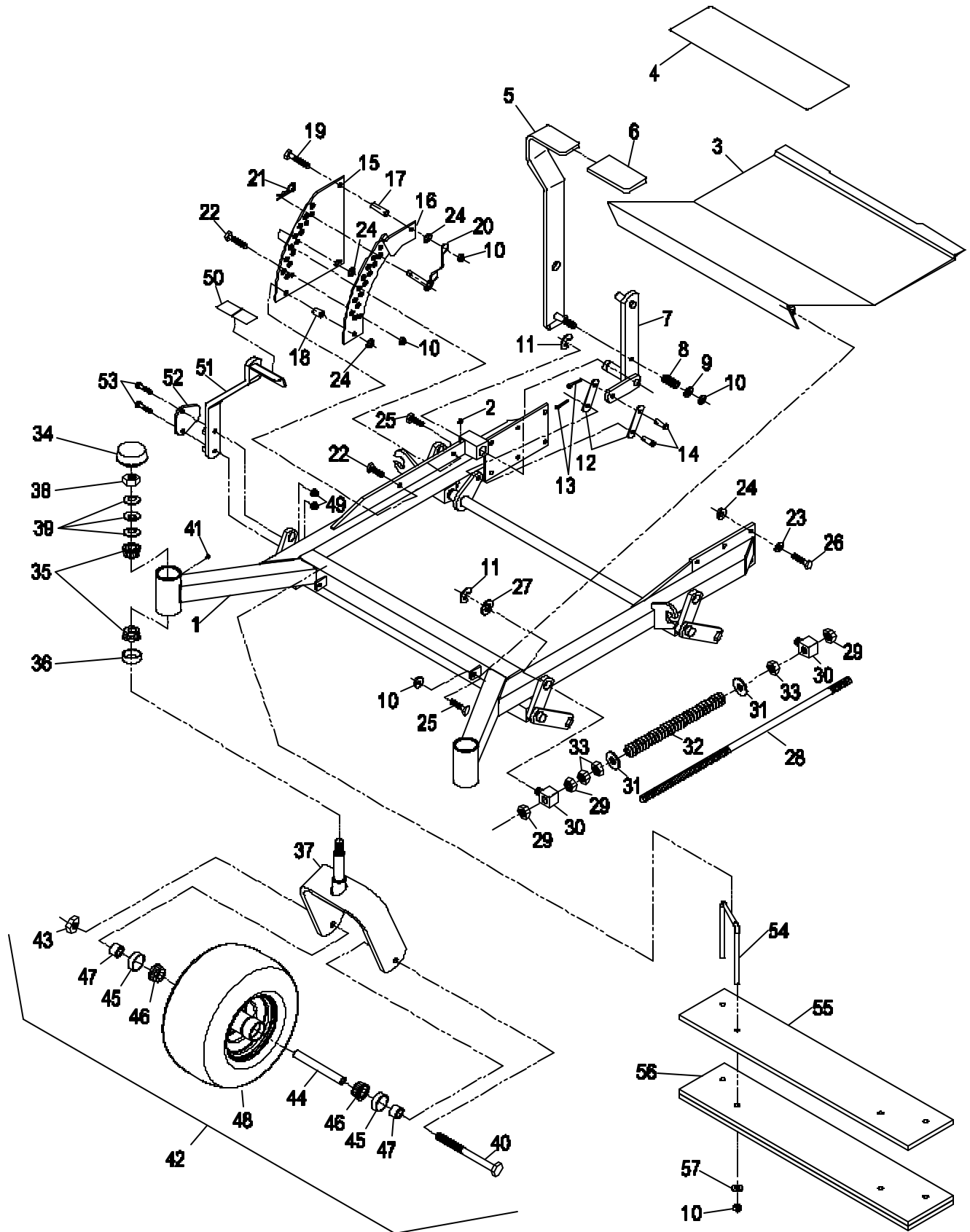
- ★ Use antiseize on bore of sheaves and bearings.
- * Cutter housing complete includes sheave, washer, nut, blade bolt & disc spring washer.
- ◆ Requires installation of Micro-Mulch accessory for proper mulching. Mulch kit P/N MK724

FRONT FRAME GROUP

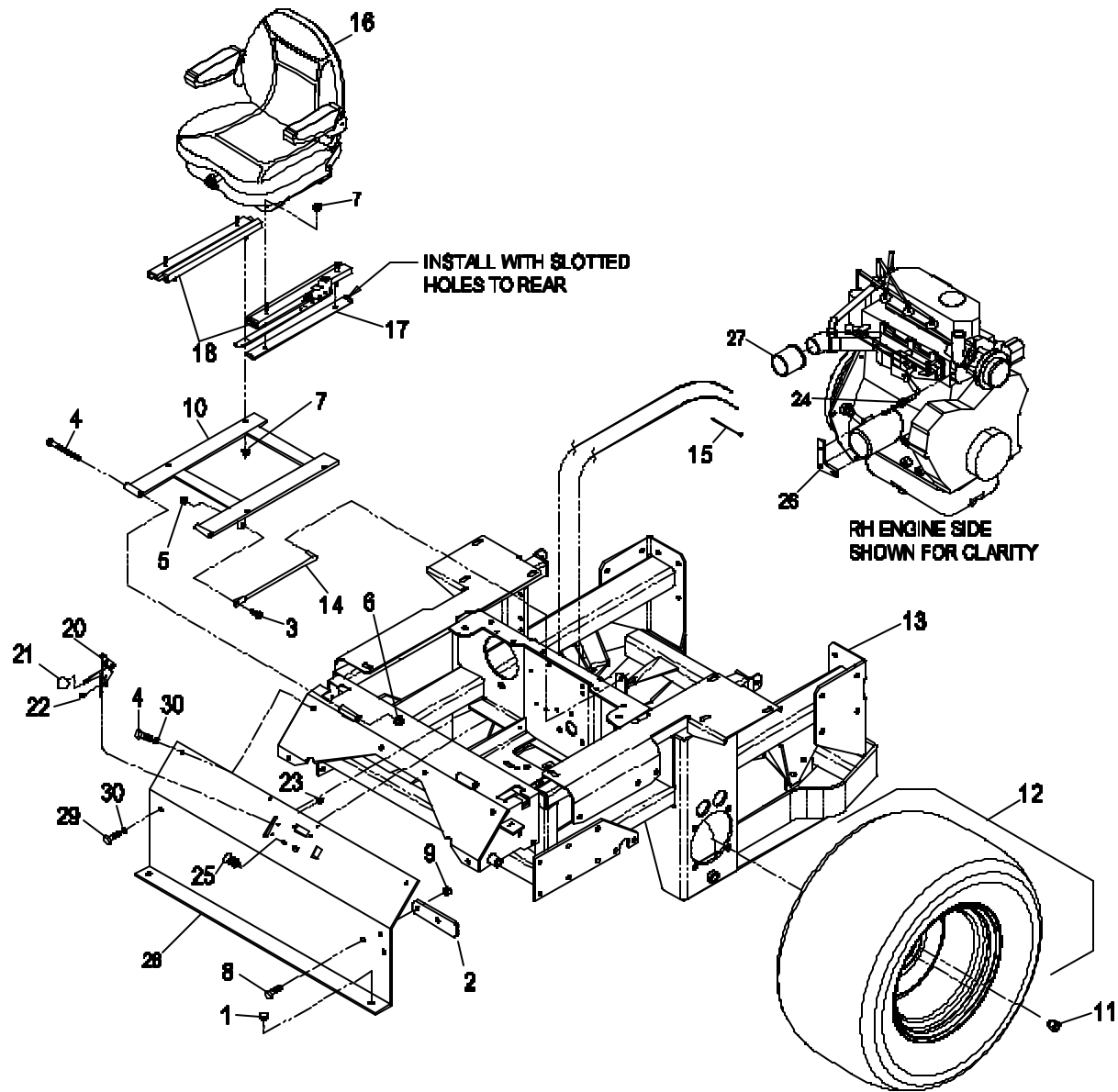
Ref. No.	Part No.	Description	Qty. Req'd.	Ref. No.	Part No.	Description	Qty. Req'd.
1	103-1438-01.	Frame wldmt, front 60"	1	31	3256-7	Washer, 5/8 std flat	4
	1-642046-01	Frame wldmt, front 72".....	1	32	1-643015	Spring, deck support.....	2
2	302-19	Zerk, 1/4-28 straight	5	33	3218-6	Jam nut, 5/8-11	6
3	103-1490-01	Floorpan	1	34	1-543513	Cap, grease.....	2
4	1-633553	Pad, anti skid	3	35	1-543509	Bearing cone, tapered roller	4
5	1-634312	Lever w/grip	1		1-543508	Bearing cup, tapered roller..	4
	1-632324-03	Lever wldmt, lift	1	36	1-543511	Seal, grease	2
6	1-633295	Grip, lift lever.....	1	37	103-1474-01	Caster wldmt.....	2
7	103-1500-03	Arm wldmt, deck lift.....	1	38	3296-51	Nut, 3/4-10 nyloc	2
8	1-633325	Spring, compression.....	1	39	1-633508	Washer, spring disk.....	6
9	3256-24	Washer, 3/8 SAE flat.....	1	40	325-39	Screw, 1/2-13x9 1/2	2
10	3296-39	Nut, nylock 3/8-16.....	9	41	1-811010	Plug	2
11	32151-103	E-ring.....	5	42	103-0069	Caster wheel assy	2
12	1-633068	Arm, deck lift	2	43	3296-45	Nut, 1/2-13 nyloc (light thin)....	2
13	3272-10	Cotter pin, 1/8 x 3/4.....	2	44	1-633959	Spacer, front caster.....	2
14	1-808284	Clevis pin, 3/8 x 1.....	2	45	103-0063	Seal, bearing.. ..	4
15	1-633889-01	Plate, deck lift.....	1	46	1-633585	Bearing cone.. ..	4
16	1-632899-01	Plate wldmt, deck lift	1	47	1-633581	Spacer, bearing.....	4
17	1-633082	Bushing, lift lever.....	1	48	103-0065	Wheel & tire assy	2
18	1-633080	Bushing, lift lever.....	1		1-523009	Tire, 13x6.5-6 4 ply	2
19	323-13	Screw, 3/8-16 x 2 3/4	1		103-0071	Wheel	2
20	1-633097	Hitch pin w/lanyard.....	1		1-633584	Bearing cup.....	4
21	1-806005	Hairpin cotter (serv only) ...	1	49	32128-20	Nut, whizlock 5/16-18.....	2
22	323-9	Screw, 3/8-16 x 1 3/4	2	50	1-543161	Pad, pedal.....	2
23	98-5975	Washer, 3/8 disc spring....	12	51	103-0147-01	Lever wldmt, deck lift	1
24	3290-357	Nut, whizlock 3/8-16	15	52	1-643220-01	Strap	1
25	323-6	Screw, 3/8-16 x 1.....	3	53	322-7	Screw, 5/16-18x1 1/2	2
26	323-7	Screw, 3/8-16X1 1/4	12	54	103-0221	U-bolt	2
27	3256-29	Washer, 7/8 SAE flat.. ..	4	55	100-2333-01	Weight Bar (60")	1
28	1-633096	Rod, deck lift	2		103-0885-01	Weight Bar (72")	1
29	3217-11	Nut, 5/8-11 regular.....	6	56	99-4646-01	Weight Bar Assy (60" only) ...	1
30	1-633441	Swivel, deck mount.....	4	57	3256-4	Washer, flat Std 3/8.....	4

Exmark red touch up spray paint - P/N 850337

FRONT FRAME GROUP



MAIN FRAME GROUP

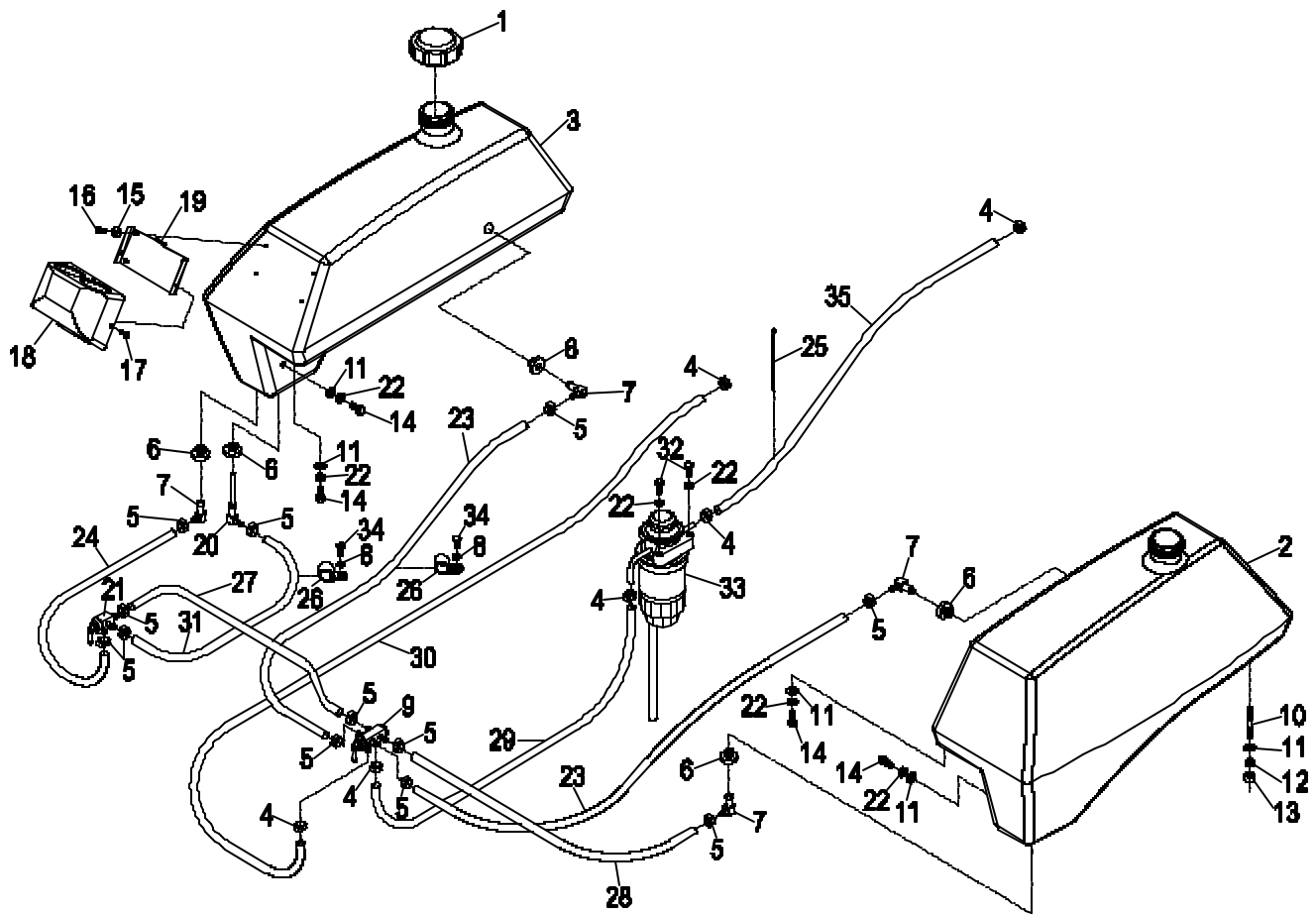


Ref. No.	Part No.	Description	Qty. Req'd.	Ref. No.	Part No.	Description	Qty. Req'd.
1	1-513658	Bumper	2	16	1-643280	Seat, suspension.....	1
2	1-633964-03	Stop, Park Brake.....	1	17	1-633872-03	Stop, seat	2
3	322-5	Screw, 5/16-18 x 1	1	18	1-643255	Track, seat	1
4	323-39	Screw, 3/8-16 x 5.....	2	19	103-0888	Engine, Diesel	1
5	3296-29	Nut, nyloc 5/16-18	1		103-0889	Engine, Gas	1
6	3296-39	Nut, nyloc 3/8-16.....	2	20	103-1450	Cable, throttle.....	1
7	32128-20	Nut, whizlock 5/16-18	8	21	1-513592	Ball, (red) throttle cable	1
8	323-6	Screw, 3/8-16 x 1	2	22	1-807513	Screw, carr #10-24.....	1
9	3290-357	Nut, whizlock 3/8-16	2	23	3296-2	Nut, nylock #10-24.....	2
10	1-632187-03	Frame, seat mount	1	24▽	103-0949	Sender, temperature 1/8 NPT	1
11	242-50	Nut, wheel 1/2-20	8	25	103-1449	Cable, choke (gas).....	1
12	1-633970	Wheel/tire assy.....	2	26	103-1409-03	Spacer, rear engine RH (gas)	1
	1-633993	Tire, 24x12-12 4 ply	2	27	103-1451	Bushing, intake manifold (gas)	1
	1-633992	Wheel	2	28	103-1354-03	Front console	1
13	103-0073-03	Frame, engine deck.....	1	29	322-3	Screw, 5/16-18 x 3/4	6
14	103-1408	Rod, seat hold-up	1	30	3256-23	Washer, 5/16 SAE.....	6
15	1-303335	Tie, Plastic (large)	1				

Exmark black touch up spray paint – gloss black

▽ Use Teflon pipe sealant on pipe threads on temperature sending unit.

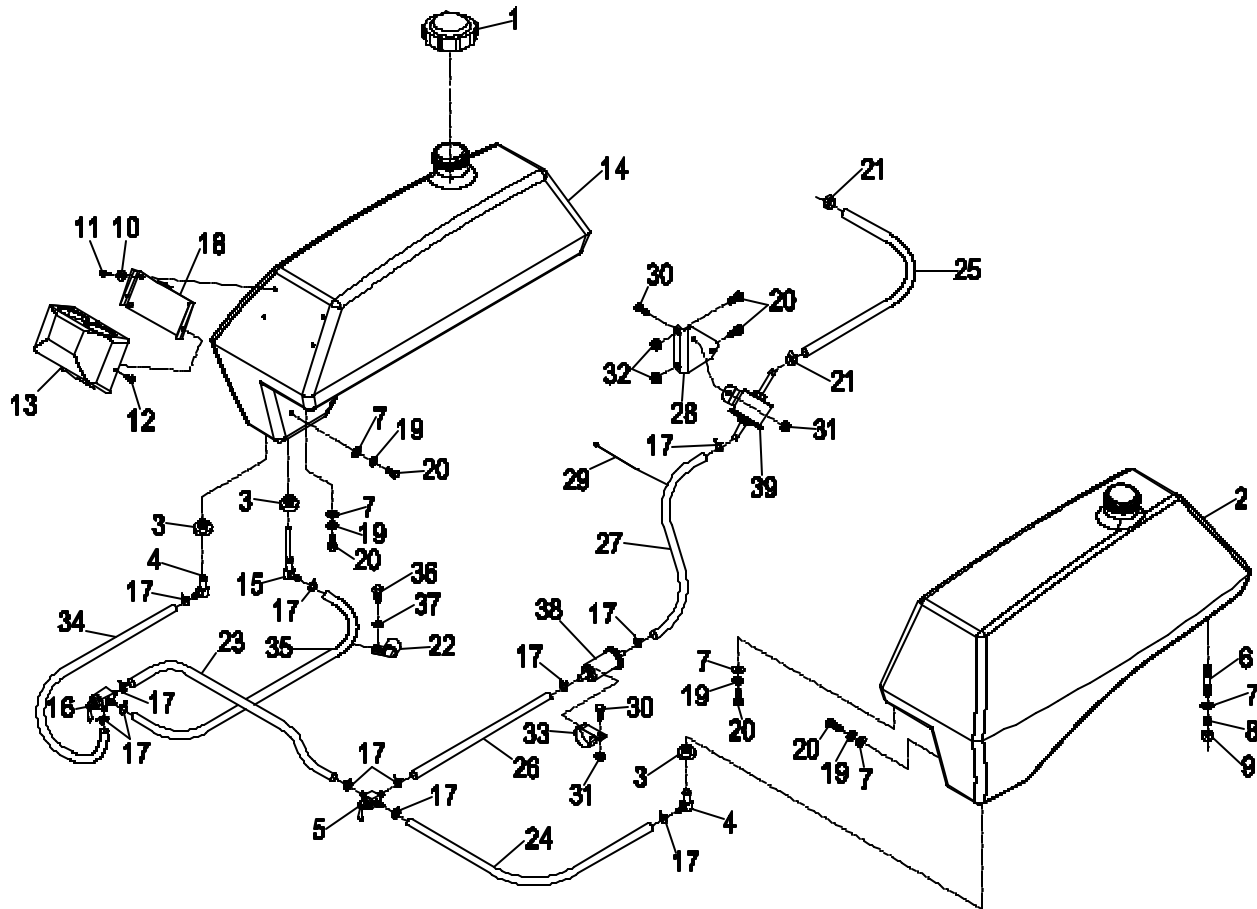
27 HP DIESEL FUEL GROUP



Ref. No.	Part No.	Description	Qty. Req'd.	Ref. No.	Part No.	Description	Qty. Req'd.
1	103-0987	Cap, diesel fuel tank	2	19	1-643014-03	Bracket, guage mount.....	1
2	1-643243	Tank, fuel (LH).....	1	20	103-1378	Elbow, 90° long w/stainer ...	1
3	103-0982	Tank, fuel w/ reserve (RH)...	1	21	103-1379	Valve, fuel reserve.....	1
4▲	1-643277	Clamp, .31 I.D. fuel hose....	6	22	1-805005	Washer, lock 5/16	6
5▲	1-643293	Clamp, .25 I.D. fuel hose....	12	23	1-633348	Hose, fuel .25 x 36.25.....	2
6	1-513645	Bushing, fuel valve	5	24	1-543456	Hose, fuel .25 x 22.0.....	1
7	1-643172	Elbow, 90°	4	25	1-303335	Plastic Tie	1
8	1-805004	Washer, lock 1/4.....	2	26	1-513762	Clip, loom .50.....	2
9	1-643234	Valve, fuel dual flow	1	27	1-303306	Hose, fuel .25 x 10.5.....	1
10◆	1-633023	Stud, fuel tank	6	28	1-303472	Hose, fuel .25 x 19.0.....	1
11	3256-23	Washer, flat SAE 5/16	10	29	103-1335	Hose, fuel .31 x 16.0.....	1
12	1-633349	Spring, fuel tank	6	30	103-1428	Hose, fuel .31 x 47.0.....	1
13	3296-47	Nut,thin nyloc 5/16-18.....	6	31	1-543526	Hose, fuel .25 x 24.0.....	1
14	322-3	Screw, 5/16-18 x 3/4.....	4	32	33114-020	Screw, M8-1.25 x 20mm	2
15	1-303435	Washer, disc spring 1/4.....	4	33 <td>Briggs & Stratton P/N 820311 fuel filter..</td> <td>1</td>	Briggs & Stratton P/N 820311 fuel filter..	1	
16▽	3290-500	Screw, Machine 10-24x5/8.	4	34	321-3	Screw, ¼-20 x 5/8.....	2
17	1-802002	Screw, thr. cut 10-32x1/2... ..	3	35	103-1693	Hose, fuel .31 x 41"	1
18	1-643013	Cover, guage.....	1				

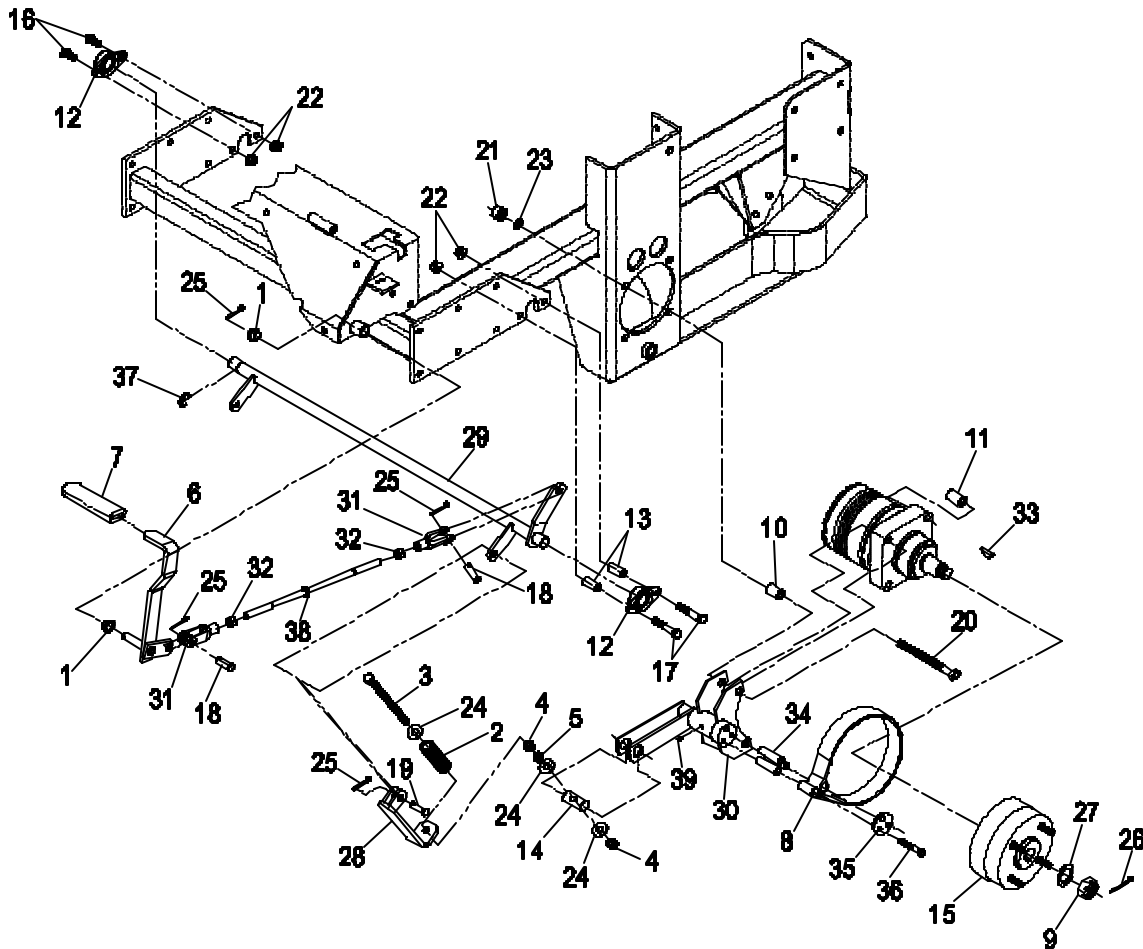
- ◆ Use Prolock, Retaining type (Part No. 1-840023), .5cc tube on stud threads going into the tank.
- ⊠ Refer to Engine Owner's Manual.
- ▽ Snug fit only on slotted holes, **Do Not Overtighten**, tank must be able to expand.
- ▲ Clamps require special pliers P/N 1-643394 (Oetiker P/N 14100118 or Kohler P/N 2445505) for installation.

31 HP GAS FUEL GROUP



Ref. No.	Part No.	Description	Qty. Req'd.	Ref. No.	Part No.	Description	Qty. Req'd.
1	1-513508	Cap, fuel tank	2	21▲	1-643293	Clamp, .25 I.D. fuel hose ...	2
2	1-633967	Tank, fuel (LH)	1	22	1-513762	Clip, Loom .50	1
3	1-513645	Bushing, fuel valve	3	23	1-303306	Hose, fuel .25 x 10.5.....	1
4	1-643172	Elbow, 90° w/ strainer.....	2	24	1-303472	Hose, fuel .25 x 19.0.....	1
5	1-633347	Valve, fuel	1	25	1-303022	Hose, fuel .25 x 8.5.....	1
6♦	1-633023	Stud, fuel tank	6	26	1-513581	Hose, fuel .25 x 18.0.....	1
7	3256-23	Washer, 5/16 SAE	10	27	103-1419	Hose, fuel .25 x 32.0.....	1
8	1-633349	Spring, fuel tank.....	6	28	103-1240-03	Angle, fuel pump mtg.....	1
9	3296-47	Nut, thin nyloc 5/16-18	6	29	1-303335	Plastic tie	1
10	1-303435	Washer, disc spring 1/4	4	30	321-4	Screw, 1/4-20 x 3/4	3
11▽	3290-500	Screw, Machine 10-24x5/8	4	31	32128-33	Nut, whizlock 1/4-20	3
12	1-802002	Screw, thd. cut 10-32x1/2 .	3	32	32128-20	Nut, whizlock 5/16-18	2
13	1-643013	Cover, gauges.....	1	33	103-1435	Clip, loom 1.69.....	1
14	103-1377	Tank, fuel w/ reserve (RH)..	1	34	1-543456	Hose, fuel .25 x 22.0.....	1
15	103-1378	Elbow, 90° long w/ strainer.	1	35	1-543526	Hose, fuel .25 x 24.0.....	1
16	103-1379	Valve, fuel reserve	1	36	321-3	Screw, 1/4-20 x 5/8	1
17	1-303077	Clamp, fuel line.....	12	37	1-805004	Washer, lock 1/4.....	1
18	1-643014-03	Bracket, gauge mount.	1	38⊠	Briggs & Stratton fuel filter P/N 498688...	1	
19	1-805005	Washer, disc spring 5/16. ...	4	39⊠	Briggs & Stratton fuel pump P/N 825005.1	1	
20	322-3	Screw, 5/16-18 x 3/4.....	6				

- ♦ Use Prolock, Retaining type (Part No. 1-840023), .5cc tube on stud threads going into the tank.
- ▽ Snug fit only on slotted holes, **Do Not Overtighten**, tank must be able to expand.
- ⊠ Refer to Engine Owner's Manual.
- ▲ Clamps require special pliers P/N 1-643394 (Oetiker P/N 14100118 or Kohler P/N 2445505) for installation.



Ref. No.	Part No.	Description	Qty. Req'd.	Ref. No.	Part No.	Description	Qty. Req'd.
1	1-513140	Bushing.....	2	20	325-17	Screw, 1/2-13 x 4 (60").....	8
2	1-633454	Spring, brake rod.....	2		325-20	Screw, 1/2-13 x 6 (72").....	8
3	323-58	Bolt, Tap 3/8-16 x 6.....	2	21	103-0131	Nut, sq reg 1/2-13 UNC-2B .	8
4	3296-39	Nut, nyloc 3/8-16.....	4	22	3290-357	Nut, whizlock 3/8-16	4
5	3218-3	Nut, Jam 3/8-16	2	23	3253-7	Washer, lock 1/2.....	8
6	103-0197	Lever w/grip	1	24	3256-4	Washer, 3/8 std.....	6
	103-0201-03	Lever, brake	1	25	3272-10	Pin, cotter 1/8 x 3/4.....	5
7	1-633268	Grip, brake lever.....	1	26	1-806800	Pin, cotter 9/64 x 1 1/2.....	2
8	103-0355	Band, Brake	2	27	1-523157	Washer, spacer.....	2
9	1-809036	Nut, slotted 1.00-20.....	2	28	103-1117-03	Lower brake linkage.....	2
10	1-633380	Spacer (short)(60")	4	29	103-0198-03	Brake shaft	1
	1-633060	Spacer (short)(72")	4	30	103-0810-03	Bracket, brake (72")	2
11	1-633382	Spacer (long)(60").....	4		103-0844-03	Bracket, brake (60")	2
	1-633062	Spacer (long)(72").....	4	31	1-633131	Yoke	2
12	1-633102	Bearing, flange.....	2	32	3219-3	Nut, 3/8-24	2
13	103-0051	Spacer, brake retainer	2	33	3257-42	Woodruff key, 5/16 x 1.....	2
14	1-633144	Pin, trunion.....	2	34	103-0384	Spacer.....	6
15	103-0590	Hub & drum w/studs, wheel.	2	35	103-0374	Retainer, Brake Band.....	2
♦	1-633926	Studs, wheel.....	8	36	322-9	Screw, HH .312-18x1.75.....	6
16	323-4	Screw, 3/8-16 x 3/4	2	37	32151-48	E-Ring, retaining.....	1
17	323-10	Screw, 3/8-16 x 2	2	38	1-633477	Rod, brake.....	1
18	1-808285	Pin, clevis 3/8 x 1 1/8.....	2	39	1481	Zerk, 1/4-28 45° (60")	2
19	1-808284	Pin, clevis 3/8 x 1.....	2		302-19	Zerk, 1/4-28 straight (72") ..	2

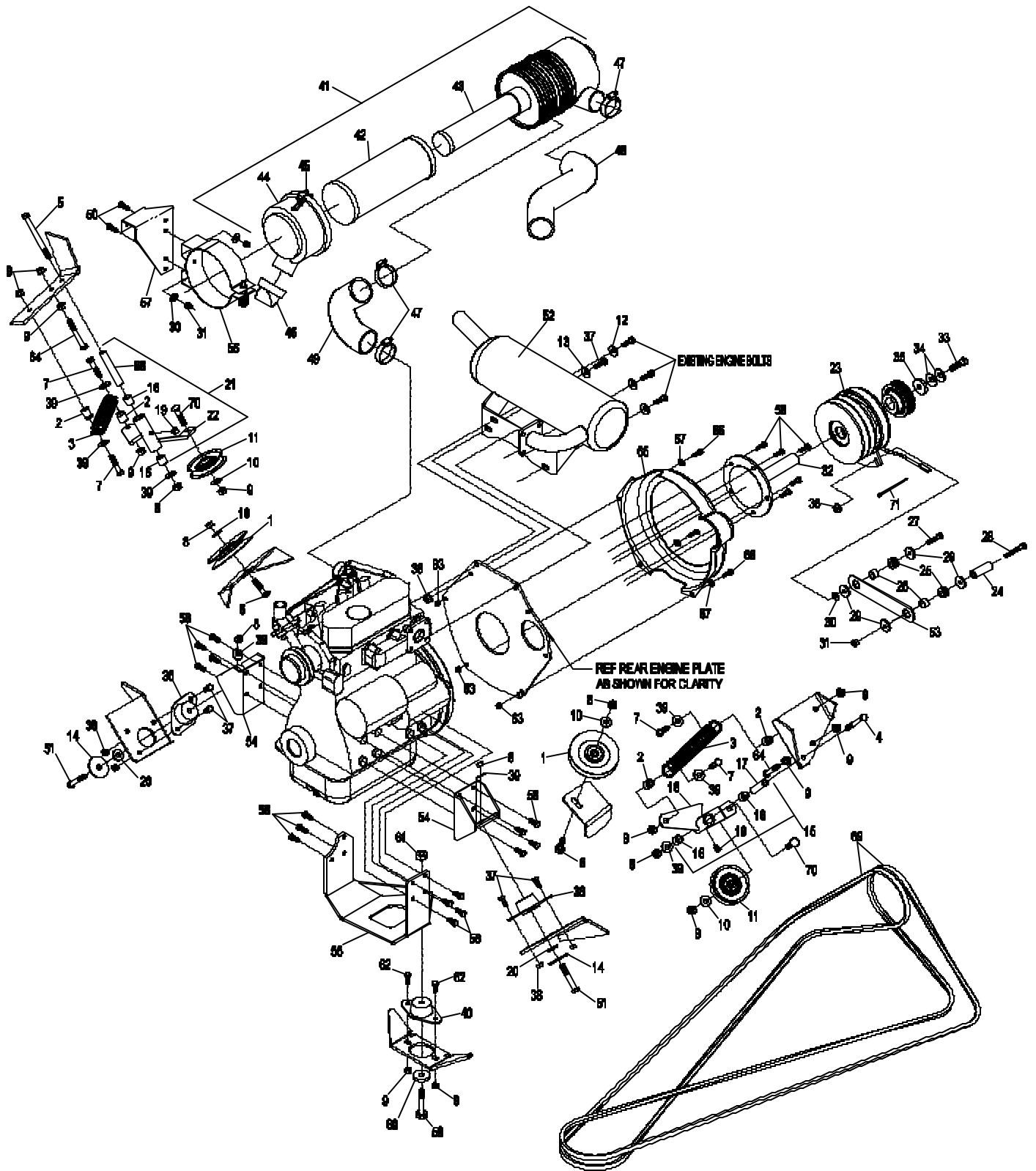
♦ Not Illustrated

Exmark black touch up spray paint - gloss black

COMMON ENGINE DECK GROUP

Ref No.	Part No.	Description	Qty. Req'd.	Ref. No.	Part No.	Description	Qty. Req'd.
1	103-0984	Sheave, Stationary idler....	2	37	322-3	Screw, 5/16-18 x 3/4	5
2	103-1503	Spacer, Belt tightener.....	4	38	32128-20	Nut, Whizlock 5/16-18	6
3	1-603414	Spring, Belt tightener.....	2	39	3256-4	Washer, Flat std 3/8.....	8
4	323-16	Screw, 3/8-16 x 4.....	1	40	103-1022	Isolator,Rear	1
5	323-23	Screw, 3/8-16 x 4 1/2.....	1	41	103-1057	Asm, 5" canister air filter ...	1
6	3231-5	Screw, Carr 3/8-16 x 1 3/4	2	42	103-1327	Filter, Air	1
7	323-8	Screw, 3/8-16 x 1 1/2.....	4	43	103-1326	Filter, Safety air.....	1
8	3296-39	Nut, nylock 3/8-16.....	6	44	103-1060	Cover, Air filter w/latch.....	1
9	3290-357	Nut, whizlock 3/8-16.....	12	45	1-643283	Latch, Air cleaner.....	1
10	3256-24	Washer, flat SAE 3/8	4	46	87-9400	Valve, Vacuator.....	1
11	103-0983	Sheave, tightener	2	47	2412-42	Clamp, Air cleaner hose....	1
12	98-5975	Washer, 3/8 disc spring....	3	48	103-0920	Hose, Plenum to air cleaner	1
13	1-303334	Washer, 5/16 disc spring..	1	49	103-0921	Hose, Air cleaner to engine	1
14	83-1040	Washer, Side mnt fail-safe	2	50	322-5	Screw, 5/16-18 x 1 1/2.....	2
15	103-0985	Asm, Tightener w/bshgs LH	1	51	323-12	Screw, 3/8-16 x 2 1/2.....	2
16	1-513034	Bearing, Sleeve.....	4	52	103-0045	Muffler.....	1
17	103-0919	Bushing, Tightener pivot LH	1	53	103-0192-03	Strap, Clutch/brake.....	1
18	103-0203-03	Asm, Tightener LH.....	1	54	103-0839-03	Mount, Engine LH & RH.....	2
19	302-40	Zerk, 1/4-20 90°	2	55	103-0870-03	Mount, Rear engine	1
20	66-6480	Washer, Side mnt spacer .	2	56	103-1058	Bracket, Air filter.....	1
21	103-0986	Asm, Tightener w/bshgs RH	1	57	103-0953-03	Mount, Air filter	1
22	103-0204-03	Asm, Tightener RH.....	1	58	33114-020	Screw, M8-1.25 x 20	20
23	103-0083	Asm, Clutch w/tie Warner.	1	59	325-10	Screw, 1/2-13 x 2 1/2.....	1
24	103-0193	Spacer, Clutch strap	1	60	3256-6	Washer, Flat std 1/2.....	1
25	1-633630	Grommet.....	2	61	3296-23	Nut, Nylock 1/2-13	1
26	1-633545	Spacer, Grommet	2	62	323-5	Screw, 3/8-16 x 7/8.....	2
27	322-11	Screw, 5/16-18 x 2 1/4	1	63	3296-42	Nut, Nylock 1/4-20	3
28	322-12	Screw, 5/16-18 x 2 1/2	1	64	323-13	Screw, 3/8-16 x 2 3/4.....	2
29	1-613235	Washer.....	4	65	103-1289	Shroud, Flywheel.....	1
30	3256-3	Washer, Flat std 5/16.....	3	66	321-5	Screw, 1/4-20 x 7/8.....	3
31	3296-29	Nut, Nylock 5/16-18	3	67	3256-22	Washer, flat SAE 1/4	3
32	103-0286	Shaft, Engine stub	1	68	103-0040	Bushing, Tightener pivot RH	1
33	3212-6	Screw, 7/16-20 x 1 1/2	1	69	103-0881	Belt, mule drive	2
34	1-603610	Washer, Spring disc 7/16 .	2	70	3231-4	Screw, Carr 3/8 x 1 1/2.....	2
35	1-543610	Washer, Clutch.....	1	71	1-303335	Tie, plastic	2
36	103-0195	Isolator, LH/RH.....	2				

Exmark black touch up spray paint – gloss black



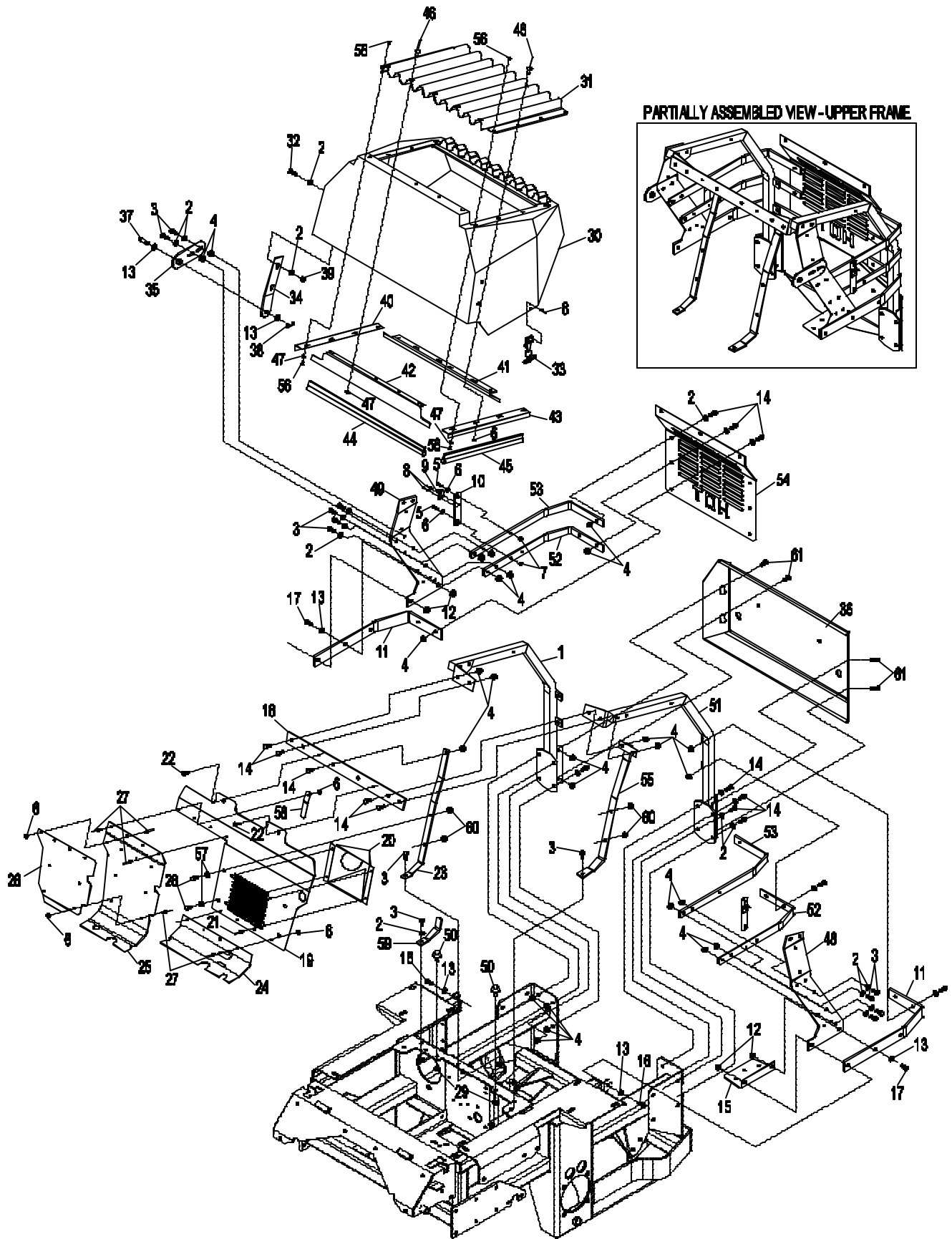
UPPER FRAME GROUP

Ref. No.	Part No.	Description	Qty. Req'd.	Ref. No.	Part No.	Description	Qty. Req'd.
1	103-0146-03	Frame, Rear upper RH.....	1	31	1-633864-03	Screen, Radiator	1
2	3256-23	Washer, Flat SAE 5/16	42	32	322-4	Screw, 5/16-18 x 7/8.....	4
3	322-3	Screw, 5/16-18 x 3/4.....	19	33	1-643188	Latch, EPDM Rubber.....	2
4	32128-20	Nut, Whizlock 5/16-18.....	45	34	1-633885-03	Plate, Hood Hinge	2
5	1-803069	Screw, 10-24x3/4 BHSCap	4	35	1-632986-03	Shackle, Hood Hinge	2
6	3256-14	Washer, Flat std #10.....	31	36	103-1479-03	Bumper, Rear.....	1
7	3296-2	Nut, Nyloc #10-24	4	37	1-808285	Pin, Clevis 3/8 x 1 1/8.....	2
8	923786	Pop Rivet	8	38	1-806003	Pin, Hair Cotter .080 #2.....	2
9	1-643189	Keeper, Rubber Latch	2	39	3296-29	Nut, Nyloc 5/16-18.....	4
10	1-633877-03	Bar, Latch Hook.....	2	40	1-643106-03	Angle, Rad. Trim Side RH	1
11	103-0941-03	Bar, Rad. mounting frame .	2	41	1-643108-03	Angle, Rad. Trim Bottom.....	1
12	3290-357	Nut, Whizlock 3/8-16	4	42	1-643107-03	Angle, Rad. Trim Top	1
13	3256-24	Washer, Flat SAE 3/8.....	4	43	1-643105-03	Angle, Rad. Trim Side LH.....	1
14	322-5	Screw, 5/16-18 x 1.....	22	44	1-643187	Seal, Trim 20"	2
15	103-1516-03	Bracket, Bottle	1	45	1-643186	Seal, Trim 14"	2
16	323-7	Screw, 3/8-16 x 1 1/4.....	2	46	1-803072	Rivet, Bulbex .19 x 1.07	15
17	323-6	Screw, 3/8-16 x 1.....	2	47	1-303435	Washer, Spring Disc .25	7
18	103-0963-03	Bar, Radiator rear mount...	1	48	103-0954-03	Mount, side LH.....	1
19	103-0951-03	Deflector, Air	1	49	103-0955-03	Mount, side RH	1
20	103-0964-03	Plenum, Air intake	1	50	1-523420	Bumper, Rubber.....	2
21	3269-3	Pop Rivet.	4	51	103-0145-03	Frame, Rear upper LH.....	1
22	49-2040	Screw, Tapping 1/4-20x3/4	2	52	103-0942-03	Rib, Bottom	2
23	103-0945-03	Brace, Radiator RH	1	53	103-0943-03	Rib, Top.....	2
24	103-1001	Shield, Engine	1	54	103-0939-03	Guard, Muffler	3
25	103-1002	Shield, Air cleaner.....	1	55	103-0094-03	Brace, Rad. & mtg bar	1
26	103-1003-03	Plate, Shield lift	1	56	103-1363	Rivet, 1/4 ratchet	4
27	1-803035	Rivet, Pop 3/16x1/4 alum..	16	57	3256-22	Washer, flat SAE 1/4.....	4
28	321-4	Screw, 1/4-20 x 3/4.....	4	58	1-523285	Clip, Baffle	1
29	3296-42	Nut, Nyloc 1/4-20.....	2	59	103-1458-03	Tab, Air cleaner shield	1
30	1-633857	Hood, Engine compartment	1	60	32128-33	Nut, whizlock 1/4-20	4
☆	103-1044	Hood, with decals.....	1	61	3234-47	Screw, Flange 5/16-18x3/4...	4

Exmark black touch up spray paint – gloss black

☆ Hood only comes with black logo decal, side decals need to be ordered separately.

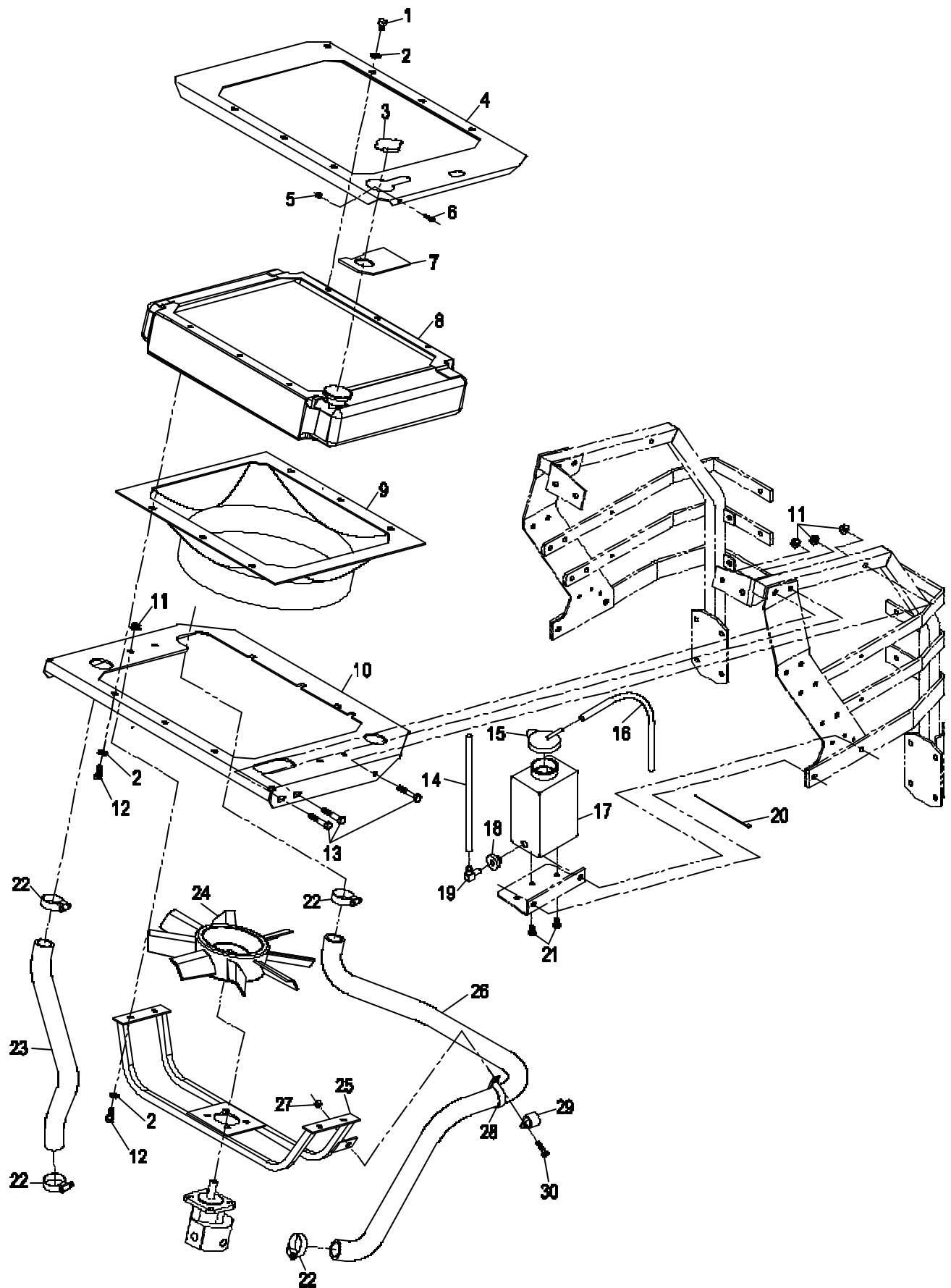
UPPER FRAME GROUP



ENGINE COOLING GROUP

Ref. No.	Part No.	Description	Qty. Req'd.	Ref. No.	Part No.	Description	Qty. Req'd.
1	322-1	Screw,5/16-18 x 1/2	6	16	1-643131	Hose,.25 ID x 22.00.....	1
2	3256-23	Washer,flat	16	17	1-643163	Tank,overflow	1
3	1-643161	Cap,radiator	1	18	1-513645	Bushing,valve fuel	1
4	103-0940-03	Mount,radiator top	1	19	1-643259	Fitting,elbow	1
5	3296-2	Nut,nylock #10-24	1	20	1-303287	Tie,plastic 5.5 x .044 x .1...	3
6	1-803069	Screw,#10-24 x .75 BHSCP..	1	21	321-2	Screw,1/4-20 x 1/2	2
7	103-1352	Shield,radiator fill neck	1	22	1-633989	Clamp,hose.....	4
8	103-0891	Radiator,IHT #DA12-10900 .	1	23	103-0923	Hose,radiator inlet.....	1
9	103-0898	Shroud,engine cooling	1	24	103-0892	Fan,crowley	1
10	103-0948-03	Mount,Radiator bottom.....	1	25	103-0086-03	Wld,fan motor mount.....	1
11	32128-20	Nut,whizlock 5/16-18.....	10	26	103-0922	Hose,radiator outlet	1
12	322-3	Screw,5/16-18 x 3/4	10	27	3296-42	Nut,nylock 1/4-20.....	1
13	322-9	Screw,5/16-18 x 1 3/4.....	6	28	103-0113	Clip,loom 1.38.....	1
14	103-1445	Hose,.31 ID x 37.00.....	1	29	1-513762	Clip,loom .50	1
15	1-643164	Cap,tank overflow.....	1	30	321-6	Screw,1/4-20 x 1.0.....	1

Exmark black touch up spray paint – gloss black



HYDRAULIC GROUP

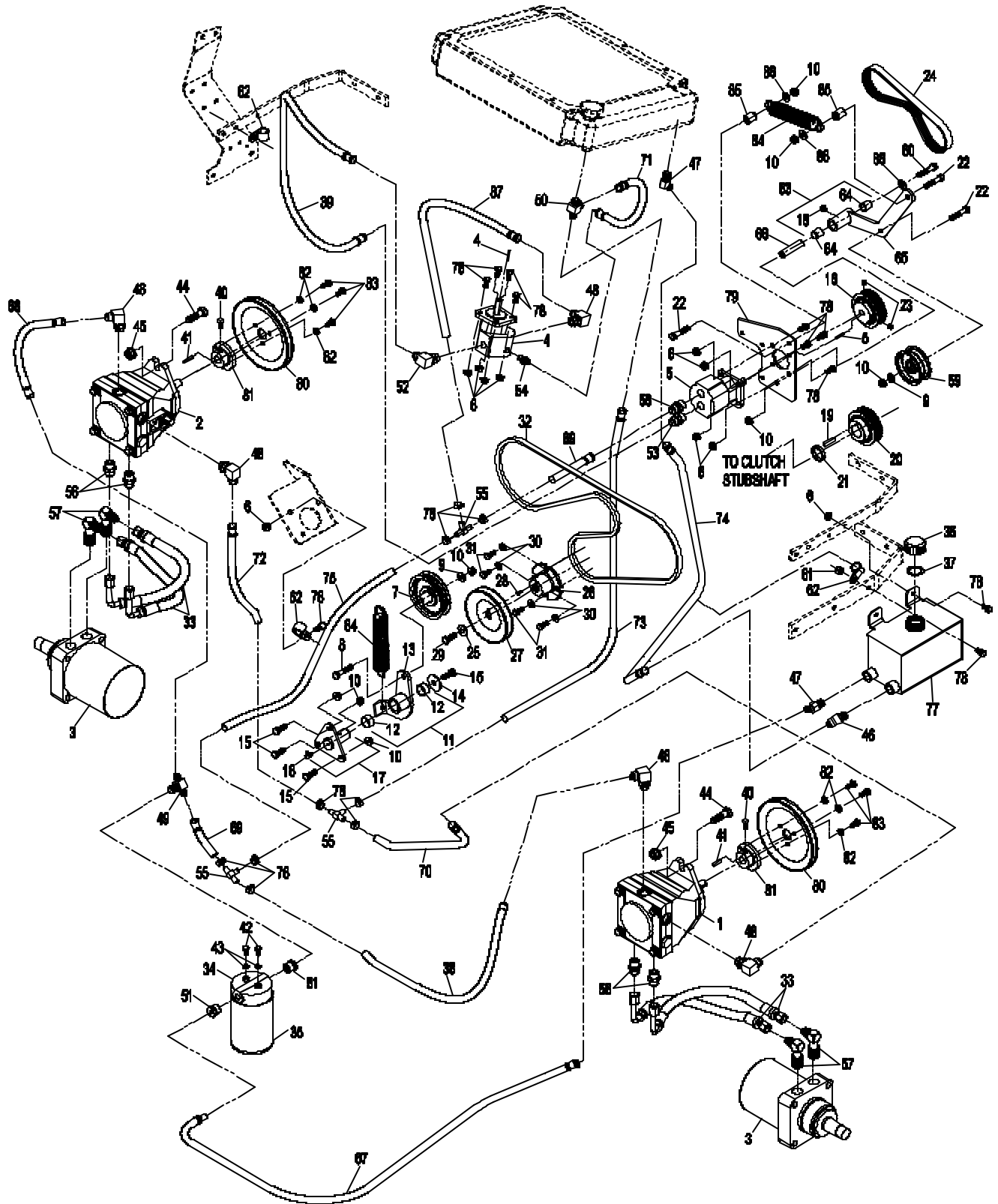
Ref. No.	Part No.	Description	Qty. Req'd.	Ref. No.	Part No.	Description	Qty. Req'd.
1	103-0989	Pump, hydro LH.....	1	44	325-5	Screw, 1/2-13 x 1 1/4.....	4
2	103-0990	Pump, hydro RH.....	1	45	32128-49	Nut, whizlock 1/2-13.....	4
3	103-0991	Motor, wheel drive.....	2	46	103-1012	Elbow,90°9/16JICx3/8NPT..	1
4	103-0893	Motor, hydraulic fan.....	1	47	103-1013	Elbow,45°9/16JICx3/8NPT..	2
5	103-1325	Pump, hydraulic fan.....	1	48	103-1014	Elbow,90°9/16JICx3/4O-rg..	5
6	32128-20	Nut, whizlock 5/16-18.....	10	49	103-1018	Fitting, side tee.....	1
7	103-0049	Sheave, hydro pump idler...	1	50	103-1063	Fitting, run tee.....	1
8	323-12	Screw, 3/8-16 x 2 1/2.....	2	51∇	103-1390	Fitting, bushing 3/8-1/2 NPT	2
9	3256-24	Washer, 3/8 SAE.....	2	52	103-1392	Elbow,90°9/16JICx9/16O-rg	1
10	3290-357	Nut, whizlock 3/8-16.....	8	53	103-1393	Fitting, strt9/16JICx9/16O-rg	1
11	103-1448	Asm, tightener.....	1	54	103-1394	Fitting, strt9/16JICx7/16O-rg	1
12	1-323729	Bearing, sleeve.....	2	55	1-603721	Fitting, tee 3/8 hose barb...	3
13	103-1415-03	Tightener.....	1	56	1-603990	Fitting, strt 3/4JICx3/4O-rg.	4
14	93-6099	Washer, 3/8 x 1.50 O.D.....	1	57	1-633605	Elbow, 90° 3/4JICx7/8O-rg.	4
15	323-4	Screw, 3/8-16 x 3/4.....	4	58	353-465	Fitting, strt 9/16JICx3/4O-rg	1
16	103-1338	Sheave, fan pump driven.....	1	59	1-633167	Sheave, fan pump idler.....	1
17	103-1478-03	Tightener, spindle.....	1	60	323-14	Screw, 3/8-16 x 3.....	1
18	302-40	Zerk, 90° 1/4-28.....	2	61	3296-29	Nut, Nyloc 5/16-18.....	1
19	13-2840	Key, square 1/4 x 1 1/4.....	1	62	1-633396	Clamp, .69.....	3
20	103-1339	Sheave, fan pump drive.....	1	63	103-1457	Asm, fan pump tightener.....	1
21	103-1422	Spacer, fan pump drive.....	1	64	1-513034	Bearing, sleeve.....	2
22	323-9	Screw, 3/8-16 x 1 3/4.....	3	65	103-1417-03	Tightener, fan pump.....	1
23◇	3246-6	Setscrew, 5/16 x 3/4.....	2	66	1-603384	Bushing, tightener pivot.....	1
24	103-1297	Belt, fan pump drive.....	1	67	103-1397	Hose, lo-pressure (54").....	1
25	98-5975	Washer, disc spring 3/8.....	1	68	103-1398	Hose, lo-pressure (7.75")....	1
26	103-1421	Hub, engine sheave.....	1	69	103-1399	Hose, lo-pressure (4").....	2
27	103-1426	Sheave, engine.....	1	70	103-1401	Hose, lo-pressure (11").....	1
28	103-1459	Pin, spring roll 1/4.....	1	71	103-1402	Hose, lo-pressure (13").....	1
29	323-6	Screw, 3/8-16 x 1.....	1	72	103-1403	Hose, lo-pressure (13").....	1
30	3256-23	Washer, 5/16 SAE.....	4	73	103-1404	Hose, lo-pressure (36").....	1
31	33114-020	Screw, M8-1.25 x 20.....	4	74	103-1405	Hose, lo-pressure (30").....	1
32	103-0882	Belt, hydro pump drive.....	1	75	103-1406	Hose, lo-pressure (28").....	1
33	103-0973	Hose, wheel motor (72").....	4	76	1-603827	Clamp, hose (5/8").....	9
	103-0972	Hose, wheel motor (60").....	4	77∇	103-0965-03	Tank, hydraulic reservoir.....	1
34∇	103-1395	Head, filter.....	1	78	322-4	Screw, 5/16-18 x 7/8.....	11
35	103-1396	Element, hydraulic oil filter.	1	79	103-1299-03	Plate, fan pump mounting....	1
◆	103-1574	Element,hyd oil filter(winter)	1	80	103-1472	Sheave, hydro pump.....	2
36	1-513167	Cap, hydraulic tank.....	1	81	103-1471	Hub, hydro pump sheave....	2
37	1-523103	Gasket, tank cap.....	1	82	1-805005	Lockwasher, 5/16.....	6
38	103-1400	Hose, lo-pressure (24").....	1	83	322-2	Screw, 5/16-18 x 5/8.....	6
39	103-0054	Hose, hi-pressure fan pump	1	84	1-603414	Spring, tightener.....	2
40◇	1-803050	Setscrew, 5/16-18 x 3/4....	2	85	103-1575	Spacer, fan pump spring.....	2
41	1-807272	Key, 5mm x 5mm x 25mm	2	86	3256-4	Washer, 3/8 std.....	3
42	321-3	Screw, 1/4-20 x 5/8.....	2	87	103-1582	Hose, lo-pressure (27").....	1
43	1-805004	Lockwasher, 1/4.....	2				

◇ Use Pro-Lock, Nut Type (P/N 1-840022, 5 ml tube) on setscrews.

∇ Use Teflon pipe sealant on pipe threads in reservoir, filter head, & reducer bushing in filter head.
Exmark black touch up spray paint - gloss black

◆ Use only for operation below 32°F (0°C)

HYDRAULIC GROUP



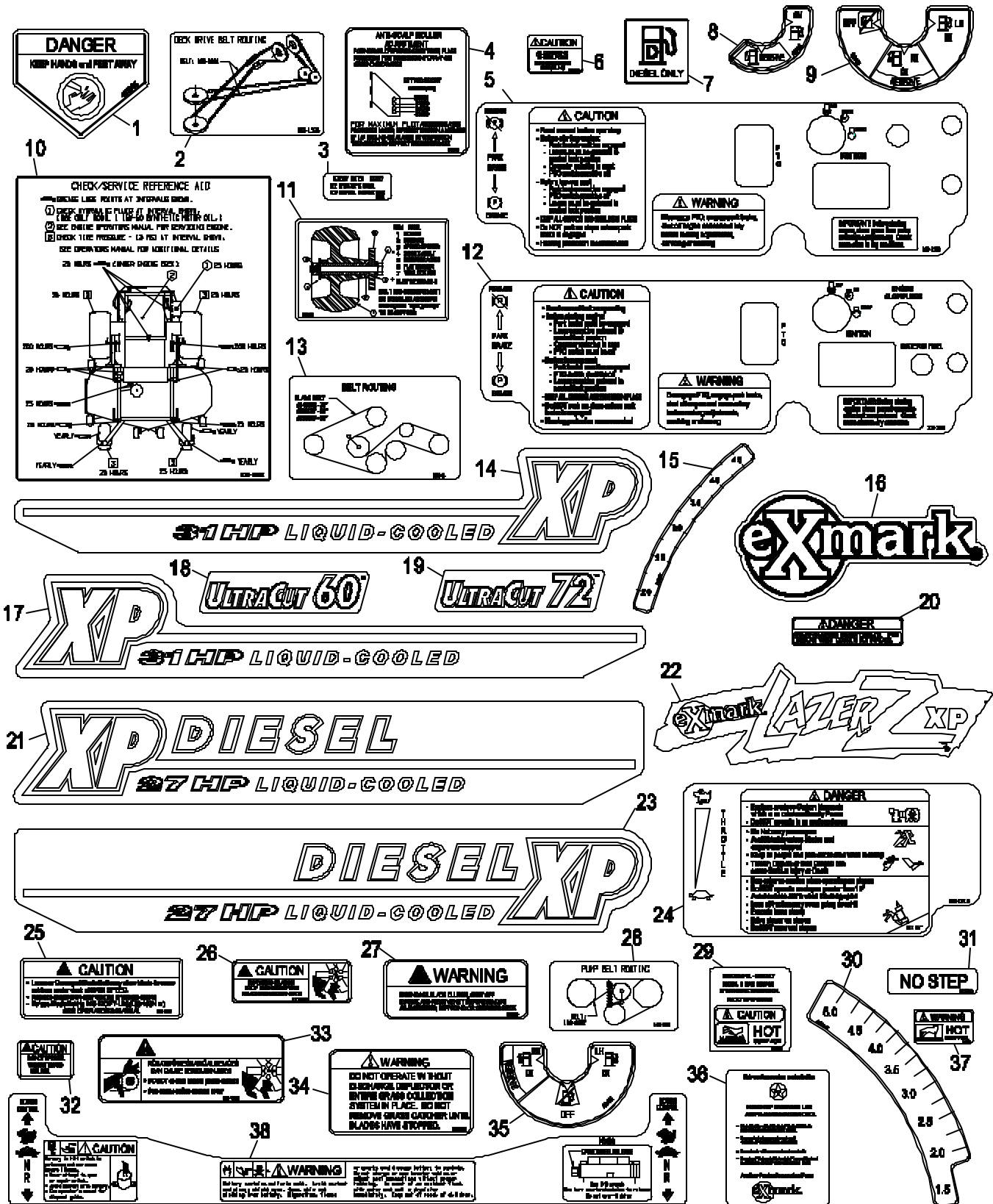
DECAL GROUP

Ref. No.	Part No.	Description	Qty. Req'd.	Ref. No.	Part No.	Description	Qty. Req'd.
1	1-403005	Decal,Danger.....	2	21◇	103-1163	Decal,Hood 27HP XP LH...	1
2	103-1596	Decal,Belt routing.....	1	22	103-1168	Decal,Lazer XP swash.....	1
3	1-643401	Decal,Mercury switch.....	1	23◇	103-1164	Decal,Hood 27HP XP RH...	1
4	1-633922	Decal,Anti-scalp.....	1	24	103-0210	Decal,Console 2.....	1
5	103-0166	Decal,Console 1.....	1	25	103-1077	Decal,Bolt torque.....	1
6◇	1-303293	Decal,2 minute cool.....	2	26	1-643253	Decal,Radiator fan.....	2
7◇	103-1636	Decal,Diesel only.....	2	27	1-633313	Decal,Warning....	1
8	103-1365	Decal,Fuel valve reserve.....	1	28	103-1592	Decal,Belt routing XP.....	1
9◇	103-1505	Decal,Fuel valve XPD.....	1	29	1-523552	Decal,Hyd tank/hot surface	1
10	103-1593	Decal,Check service.....	1	30	1-633345	Decal,Deck height.....	1
11	1-323540	Decal,Roller mounting.....	1	31	1-513742	Decal,No step.....	2
12◇	103-1353	Decal,Console.....	1	32	1-513748	Decal,Guard.....	1
13	1-643222	Decal,Belt routing.....	1	33	103-0368	Decal,Rotating devices.....	1
14◆	103-1161	Decal,Hood 31HP XP RH....	1	34	1-303508	Decal,Discharge warning.....	1
15	1-633706	Decal,Deck height.....	1	35◆	103-1506	Decal,Fuel valve XPG.....	1
16	1-643103	Decal,Exmark logo.....	1	36	103-0223	Decal,Havoline coolant.....	1
17◆	103-1162	Decal,Hood 31HP XP LH....	1	37	65-2690	Decal,Hot surface.....	2
18	103-1146	Decal,Ultracut 60.....	1	38	103-0245	Decal,Top console.....	1
19	103-1147	Decal,Ultracut 72.....	1		103-1649	Decal kit, XP.....	1
20	98-5954	Decal,Missing cover.....	3				

◇ Lazer XP Diesel models only

◆ Lazer XP Gas models only

DECAL GROUP



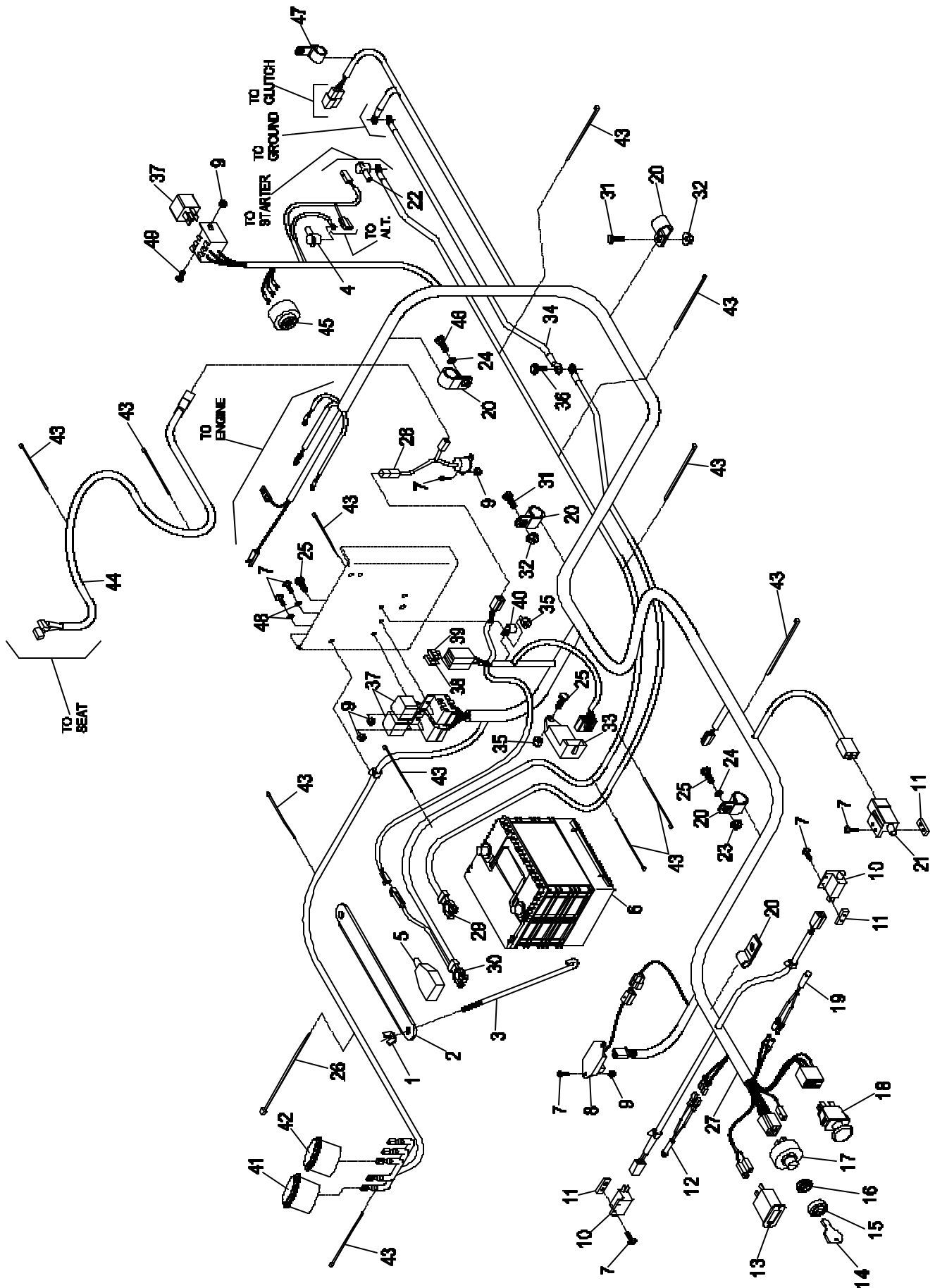
Ref. No.	Part No.	Description	Qty. Req'd.	Ref. No.	Part No.	Description	Qty. Req'd.
1	1-543792	Wingnut, nyloc	2	26	1-643115	Plastic tie (large)	1
2	103-1311-03	Holddown, battery	1	27♦	103-1245	Harness, wiring	1
3	103-1312	Bolt, battery holddown.....	2	28	1-633782	Switch, tilt	1
4	1-643178	Insulator, alternator (+)	1	29	103-1159	Cable, battery ground (-).....	1
5	103-1340	Insulator, battery terminal ...	1	30*	103-1160	Cable, starter(+) w/insulators	1
6☆		Battery, 12V SAE post.....	1	31	322-3	Screw, 5/16-18 x 3/4	2
7	3290-500	Screw, #10-24 x 5/8.....	12	32	32128-20	Nut, 5/16-18 whizlock	2
8	100-6186	Module, seat delay.....	1	339	Briggs & Stratton P/N 820373		
9	3296-2	Nut, #10-24 Nyloc	7			Module, pre-heat timer	1
10	1-513051	Switch, drive lever N.O.....	2	34	103-1349	Cable, engine ground (-)	1
11	1-633181	Plate, tapped.....	3	35	3296-42	Nut, 1/4-20 Nyloc	2
12	1-643267	Indicator, red LED.....	1	36	32144-70	Screw, 5/16-18 x 3/4 taptite .	1
13	1-513374	Meter, engine hours	1	37	1-643275	Relay, 12V.....	3
14	1-603511	Key, ignition	1	38	1-816001	Fuse, 20 amp.....	1
15	103-0499	Seal, ignition	1	39	103-1368	Fuse, 40 amp.....	1
16	103-0498	Nut, ignition.....	1	40	1-513762	Clip, loom .50.....	1
17	103-0206	Switch, ignition w/ keys.....	1	41	1-643037	Guage, Voltmeter	1
18	1-633673	Switch	1	42	1-643021	Guage, Temperature	1
19	103-1320	Indicator, amber LED.....	1	43	1-303335	Plastic tie (medium).....	12
20	1-633396	Clip, loom .69	5	44	103-1227	Wiring harness, seat.....	1
21	1-633111	Switch, brake N.O./N.C.	1	45	103-0205	Alarm, dual tone.....	1
22	103-1420	Insulator, starter (+).....	1	46	48-7630	Screw, M6x1 x 20mm.....	1
23	32128-33	Nut, 1/4-20 whizlock	1	47	1-603727	Clip, loom .50.....	1
24	3256-22	Washer, 1/4 SAE	2	48	3256-14	Washer, #10 SAE	2
25	321-4	Screw, 1/4-20 x 3/4	3	49	1-803071	Screw, #10-24 x 1/2.....	1

♦ Use dielectric grease on all wiring harness connectors.

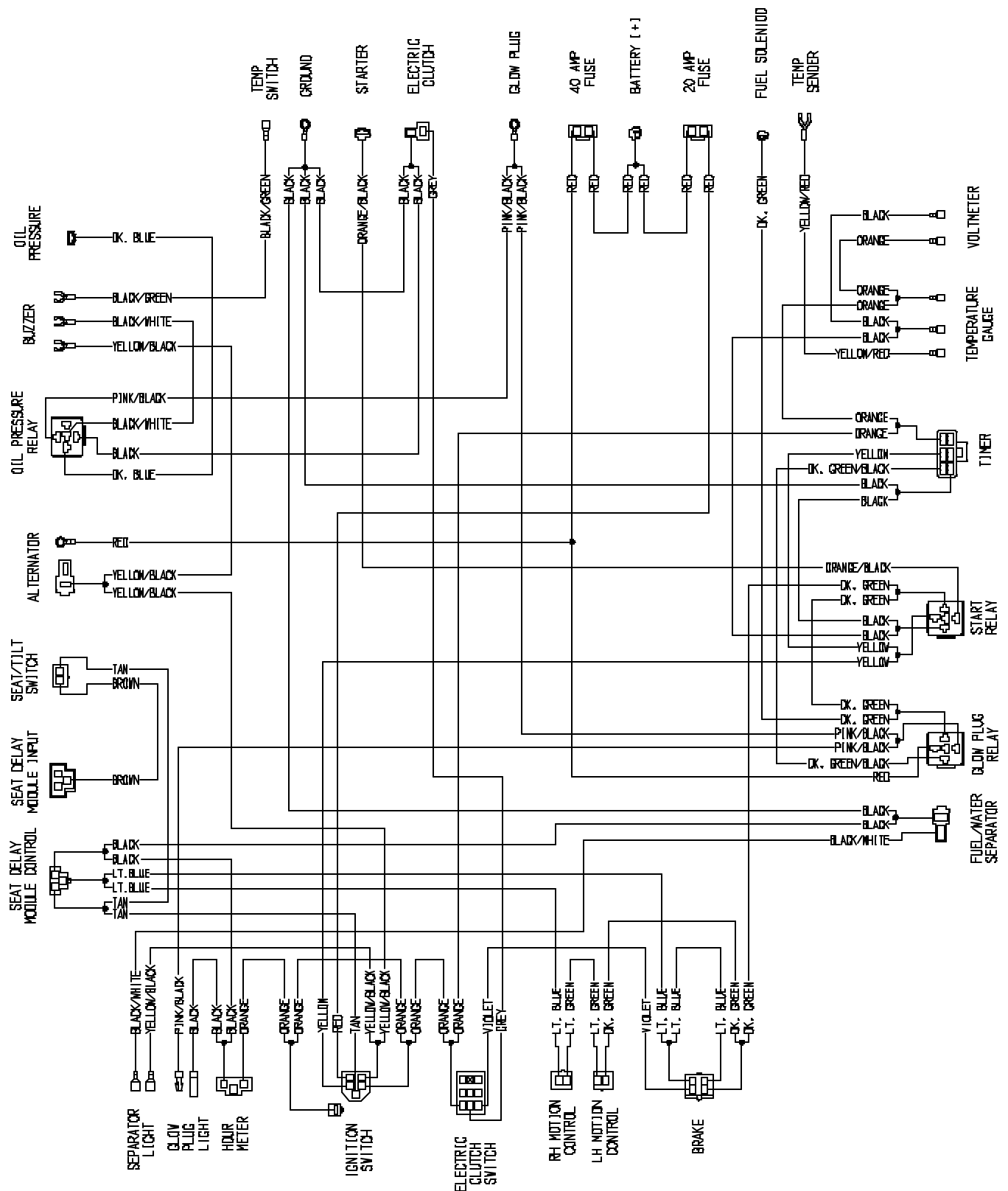
☆ 12 Volt battery, BCI group size 26, 550 cca. For warranty and/or direct replacement contact Douglas Battery at 1-800-DOUGLAS.

9 Refer to Engine Owner's Manual.

* Starter Cable includes insulators 103-1340 & 103-1420.

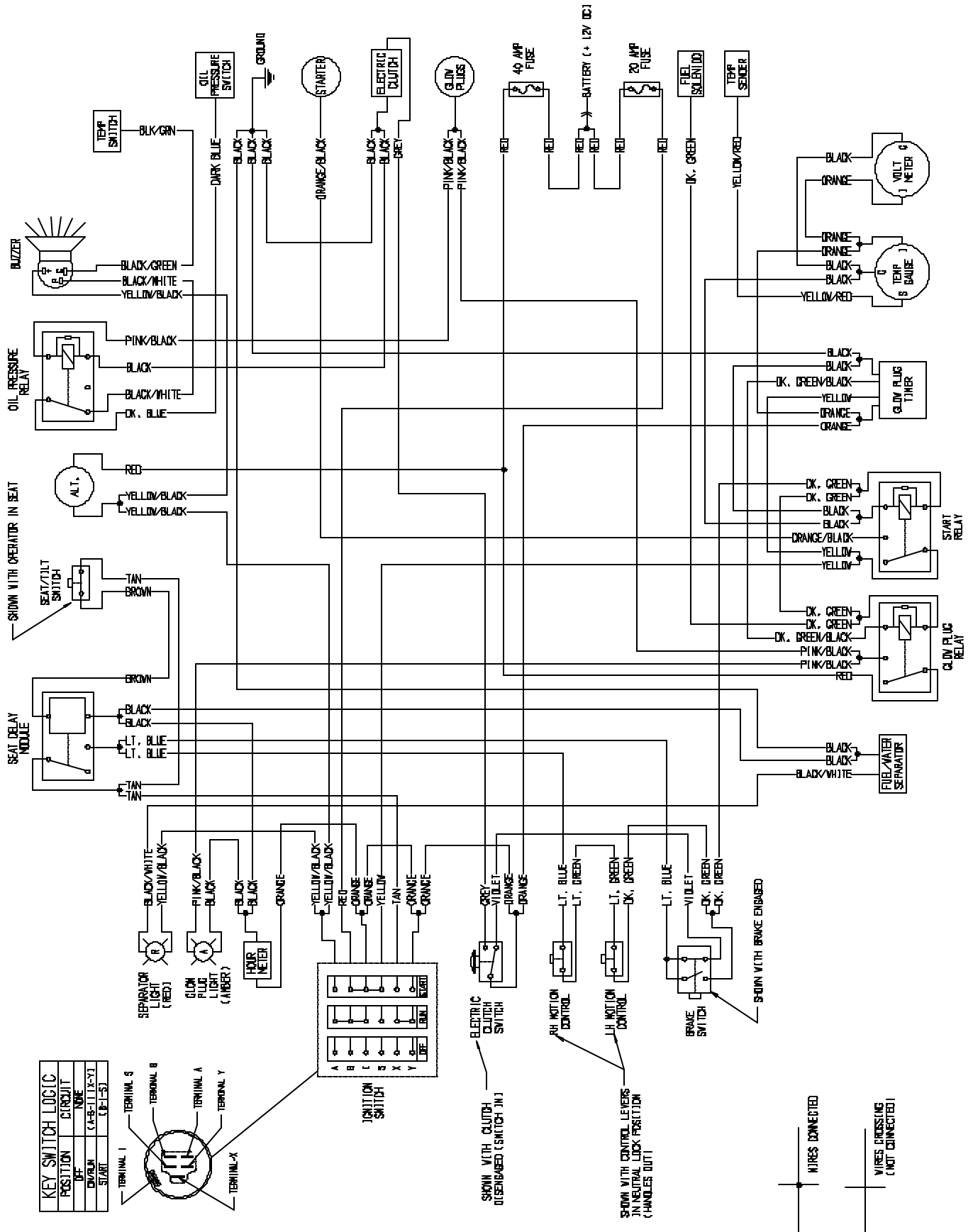


27 HP DIESEL WIRE HARNESS DIAGRAM



NOTE:
CONNECTORS VIEWED FROM WIRE END

27 HP DIESEL ELECTRICAL LOGIC SCHEMATIC



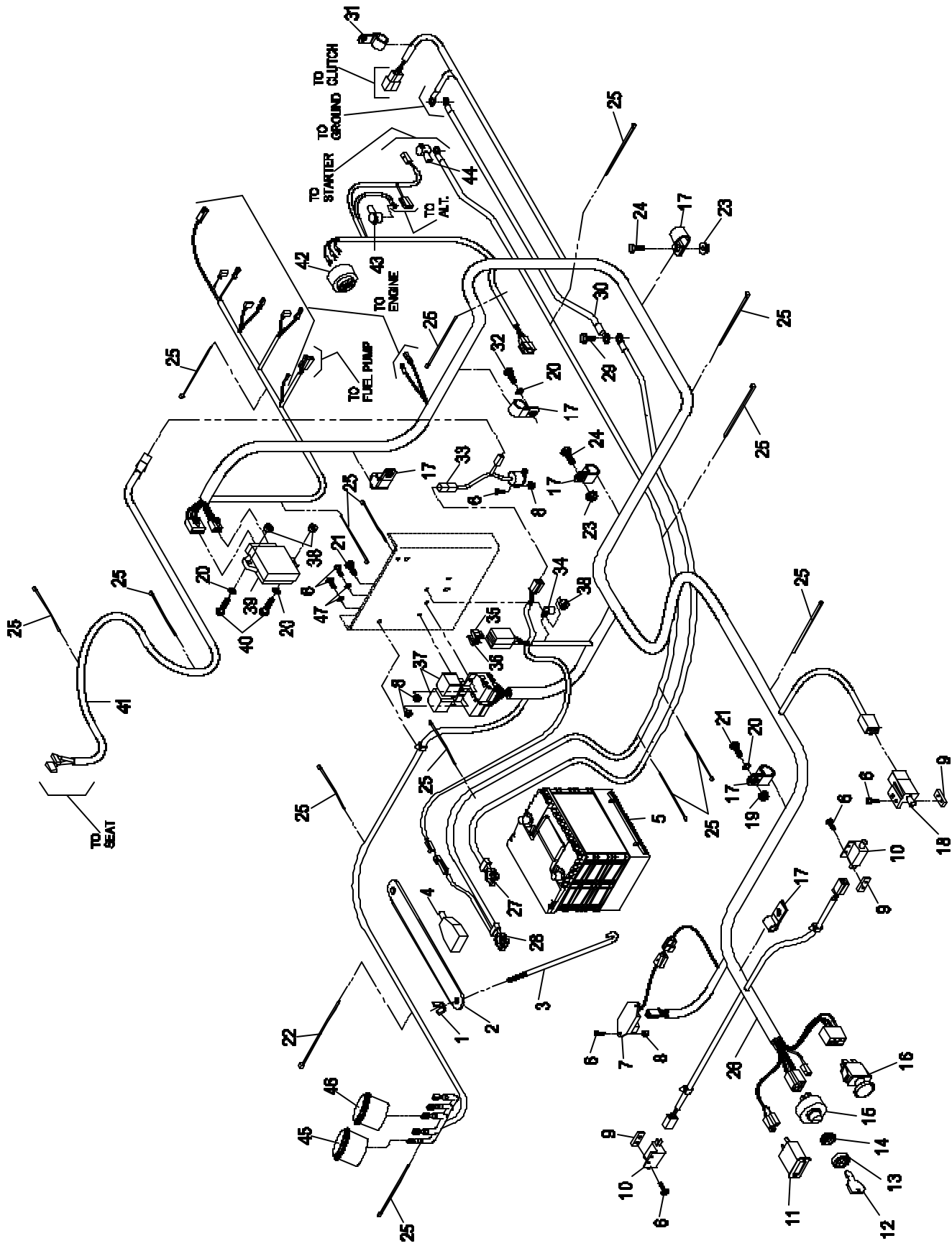
Ref. No.	Part No.	Description	Qty. Req'd.	Ref. No.	Part No.	Description	Qty. Req'd.
1	1-543792	Wingnut, nyloc	2	25	1-303335	Plastic tie (medium).....	15
2	103-1311-03	Holddown, battery	1	26♦	103-1262	Harness,wiring	1
3	103-1312	Bolt, battery holddown.....	2	27	103-1159	Cable, battery ground (-).....	1
4	103-1340	Insulator, battery terminal ...	1	28*	103-1160	Cable, starter(+) w/insulators	1
5★		Battery, 12V SAE post.....	1	29	32144-70	Screw, 5/16-18 x ¾ taptite .	1
6	3290-500	Screw, #10-24 x 5/8.....	12	30	103-1349	Cable, engine ground (-).....	1
7	100-6186	Module, seat delay.....	1	31	1-603727	Clip, loom .50.....	1
8	3296-2	Nut, #10-24 nyloc.....	6	32	48-7630	Screw, M6x1 x 20mm	1
9	1-633181	Plate, tapped.....	3	33	1-633782	Switch, tilt	1
10	1-513051	Switch, drive lever N.O.	2	34	1-513762	Clip, loom .50.....	1
11	1-513374	Meter, engine hours	1	35	103-1368	Fuse, 40 amp.....	1
12	1-603511	Key, ignition	1	36	1-816001	Fuse, 20 amp.....	1
13	103-0499	Seal, ignition	1	37	1-643275	Relay, 12V.....	2
14	103-0498	Nut, ignition.....	1	38	3296-42	Nut, ¼-20 nyloc.....	3
15	103-0206	Switch, ignition w/ keys.....	1	399	Briggs & Stratton P/N 825273		
16	1-633673	Switch	1			Module, ignition processor..	1
17	1-633396	Clip, loom .69	6	40	321-6	Screw, ¼-20 x 1.....	2
18	1-633111	Switch, brake N.O./N.C.	1	41	103-1227	Wiring harness, seat.....	1
19	32128-33	Nut, ¼-20 whizlock	1	42	103-0205	Alarm, dual tone.....	1
20	3256-22	Washer, ¼ SAE	4	43	1-643178	Insulator, alternator(+).	1
21	321-4	Screw, ¼-20 x ¾	2	44	103-1420	Insulator, starter(+).	1
22	1-643115	Plastic tie (large).....	1	45	1-643037	Guage, Voltmeter	1
23	32128-20	Nut, 5/16-18 whizlock.....	2	46	1-643021	Guage, Temperature	1
24	322-3	Screw, 5/16-18 x 3/4.....	2	47	3256-14	Washer, #10 SAE	2

♦ Use dielectric grease on all wiring harness connectors.

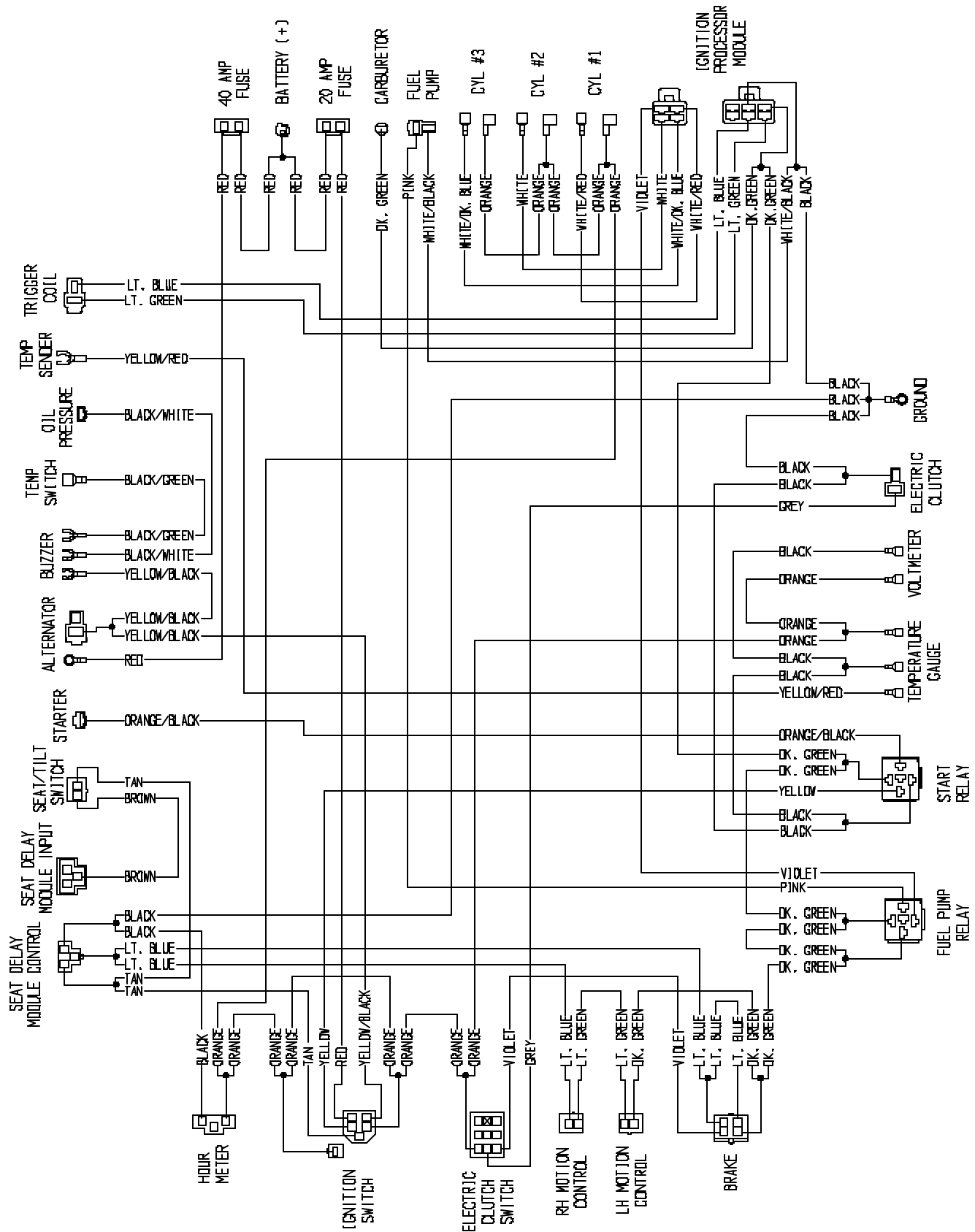
★ 12 Volt battery, BCI group size 26, 550 cca. For warranty and/or direct replacement contact Douglas Battery at 1-800-DOUGLAS.

9 Refer to Engine Owner's Manual.

* Starter Cable includes insulators 103-1340 & 103-1420.

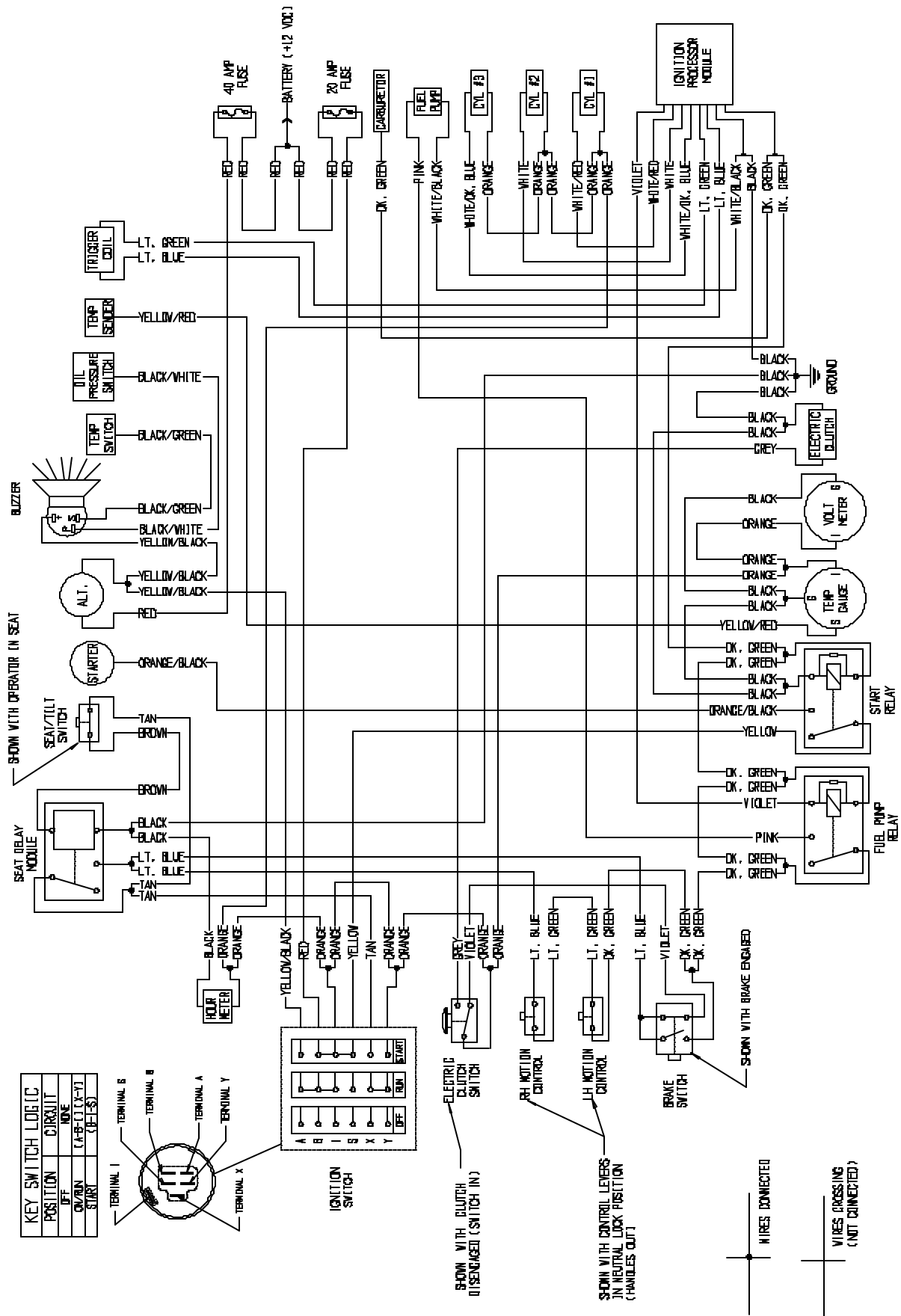


31 HP GAS WIRE HARNESS DIAGRAM

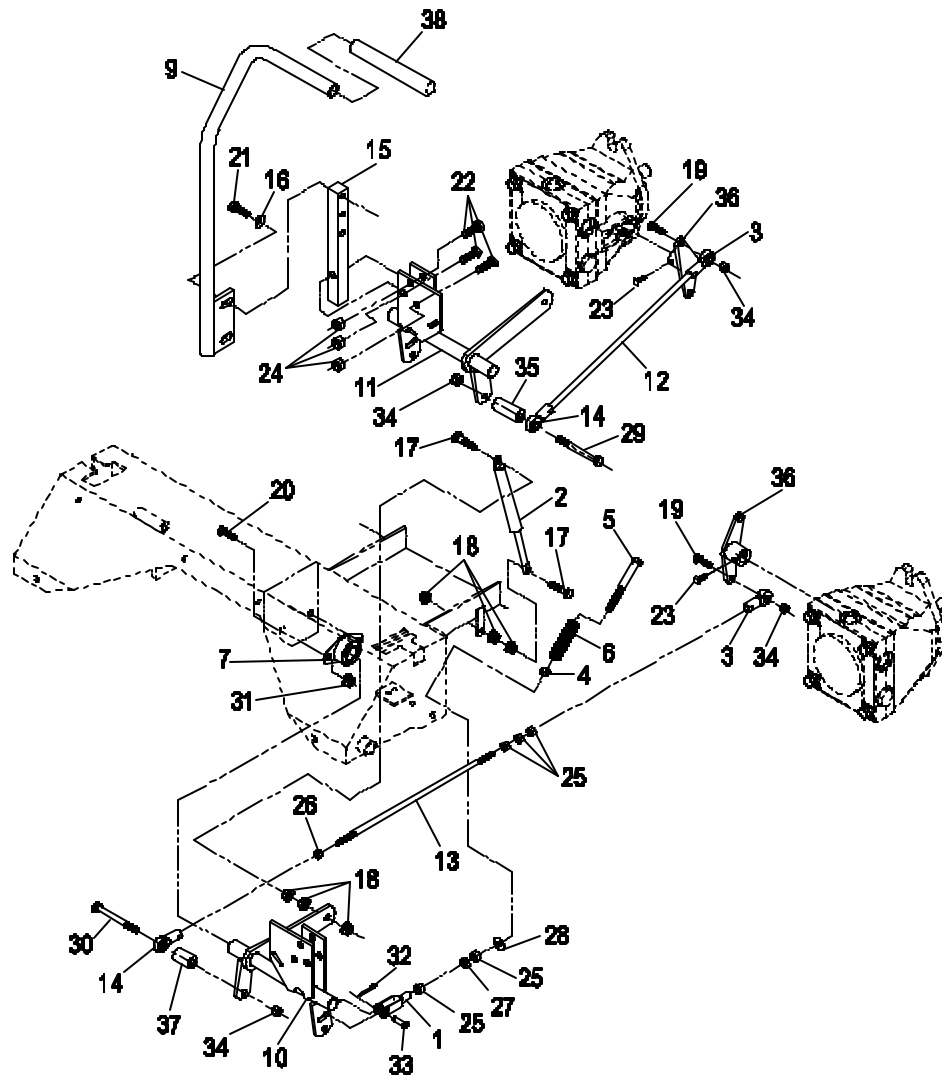


NOTE:
CONNECTORS VIEWED FROM WIRE END

31 HP GAS ELECTRICAL LOGIC SCHEMATIC



MOTION CONTROL LEVERS



Ref. No.	Part No.	Description	Qty. Req'd.	Ref. No.	Part No.	Description	Qty. Req'd.
1	1-303105	Yoke.....	2	19	322-6	Screw, 5/16-18 x 1 1/4.....	2
2	1-523027	Damper.....	2	20	323-4	Screw, 3/8-16 x 3/4.....	8
3	1-543017	Ball joint (RH).....	2	21	323-6	Screw, 3/8-16 x 1.....	4
4	1-603735	Bushing, nylon.....	2	22	323-9	Screw, 3/8-16 x 1 3/4.....	6
5	1-603737	Bolt, (neutral return).....	2	23◇	1-803022	Set screw, 5/16 x 5/8.....	2
6	1-603807	Spring, (neutral return).....	2	24	3296-39	Nut, nyloc 3/8-16.....	6
7	1-633102	Bearing, flanged.....	4	25	3219-2	Nut, 5/16-24.....	10
8*	103-0631	LH Lever/Grip asm.....	1	26	1-804524	Nut, 5/16-24 LH.....	2
	103-0409-03	Handle, motion control (LH) ..	1	27	3220-2	Nut, jam 5/16-24.....	2
9	103-0632	RH Lever/Grip asm.....	1	28	3256-2	Washer, 1/4.....	2
	103-0410-03	Handle, motion control (RH) 1		29	322-14	Screw, 5/16-18 x 3.....	1
10	103-0062	Bracket, motion control (LH) 1		30	322-12	Screw, 5/16-18 x 2 1/2.....	1
11	103-0199	Bracket, motion control (RH) 1		31	3290-357	Nut, whizlock 3/8-16.....	8
12	103-0918	Link, hydro connecting (RH) 1		32	3272-5	Pin, cotter 3/32 x 1/2.....	2
13	103-0058	Link, hydro connecting (LH) 1		33	1-808280	Pin, clevis 5/16 x 1.....	2
14	1-633152	Ball joint (LH).....	2	34	3296-29	Nut, nyloc 5/16-18.....	4
15	103-0407	Arm, control shaft.....	2	35	103-0057	Spacer, hyd control (RH)	1
16	98-5975	Washer, disc spring 3/8.....	4	36	103-0194-03	Arm, pump control.....	2
17	1-403180	Screw, 5/16-18 x 1 3/8 (grn) 4		37	103-1361	Spacer, hyd control (LH).....	1
18	32128-20	Nut, 5/16-18.....	12	38	1-633257	Grip, motion control handle .	2

* Not Illustrated.

Exmark black touch up spray paint - gloss black

◇ Use Pro-Lock, Nut Type (P/N 1-840022, .5ml tube) on setscrews

SERVICE RECORD

Date	Description of Work Done	Service Done By

SERVICE RECORD

Date	Description of Work Done	Service Done By

NOTES

**SEE EXMARK'S COMPLETE
LINE OF PRODUCTS FOR TURF CARE**

LAZER Z[®]

LAZER Z[®] HP

LAZER Z[®] XP

TURF RANGER[®]

TURF TRACER[®]

TURF TRACER[®] HP

VIKING HYDRO

METRO[®]

METRO[®] HP

SELF STEERING SULKY

ULTRA VAC[™]

GRASS CATCHER

MICRO-MULCH[™] ACCESSORY

© 2001
EXMARK MFG. CO. INC.
INDUSTRIAL PARK BOX 808
BEATRICE, NE 68310
ALL RIGHTS RESERVED

PART NO. 103-1431 Rev C.
(402) 223-6300
FAX (402) 223-5489
PRINTED IN U.S.A.

