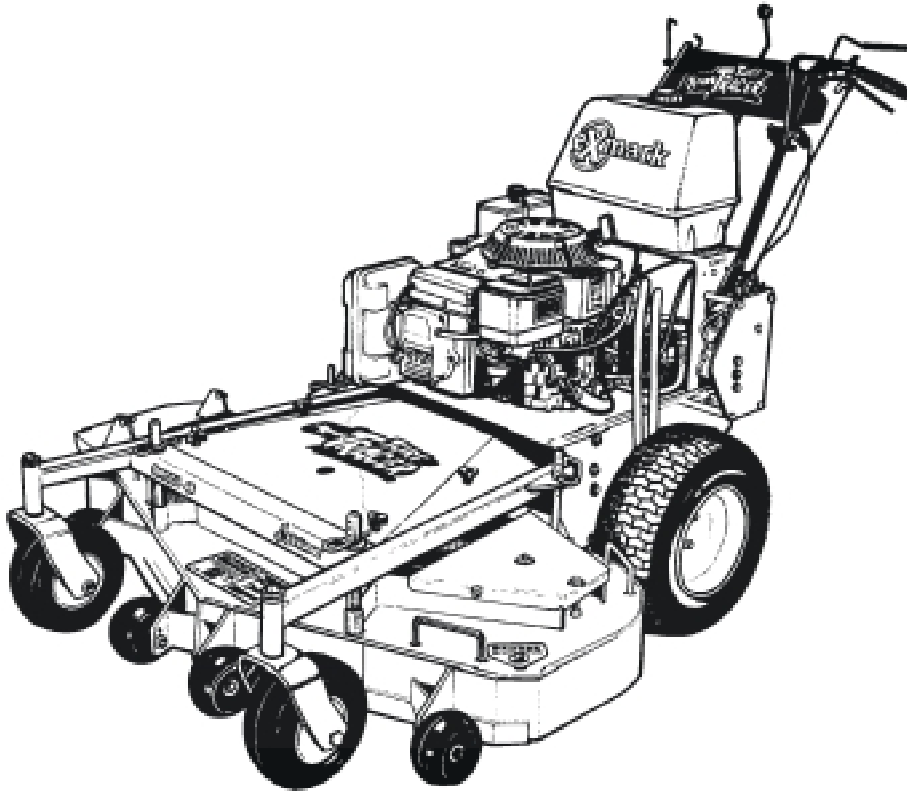


For Serial Nos.
260,000 & Higher



PARTS MANUAL

TURF TRACER[®] HP

CONGRATULATIONS on the purchase of your new Exmark mower. This product has been carefully designed and manufactured to give you a maximum amount of dependability and years of trouble-free operation.

If additional information is needed, or should you require trained mechanic service, contact your authorized Exmark equipment dealer or distributor.

If you need to order replacement parts from your dealer, always give the model number and serial number of your mower as well as the part number, description and quantity of the part needed.

The Serial No. plate is located next to the fuel tank on the top left-hand side of the fuel tank support.

For ease of ordering and reference, we suggest that you record the information requested in the following identification table.

Model No. _____

Serial No. _____

Engine Model No. _____

Engine Serial No. _____

Date Purchased _____

Paste Label From Literature Packet Here

EXMARK PARTS PLUS® PROGRAM

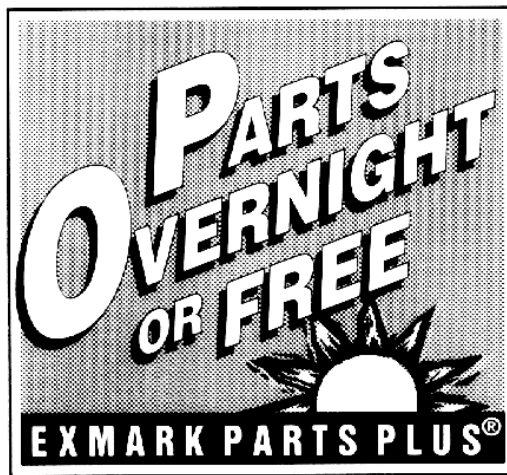
EFFECTIVE DATE: September 1, 1995

Program

If your Exmark dealer does not have the Exmark part in stock, Exmark will get the parts to the dealer the next business day or the part will be FREE* Guaranteed!!

How the Program Works

1. If dealer does not have part in stock for a "down" unit at the time of request by customer, the dealer contacts his distributor by 1:00 p.m., local time, and requests Exmark Parts Plus® shipment of six (6) line items or less.
2. Distributor ships part(s) to dealer or customer, as requested by dealer, same day, overnight UPS Distributor bills dealer for part and freight charges where applicable.
3. If distributor does not have the part(s) in stock to satisfy Exmark Parts Plus® order, he contacts Exmark by 3:00 p.m., central time, with an Exmark Parts Plus® order of six (6) line items or less.
4. If order is received by 3:00 p.m. central time, Exmark ships part(s) direct to dealer or customer, as requested by distributor, same day, overnight UPS Exmark bills the distributor for parts and shipping charges, where applicable.
5. The customer pays for the part and freight if it is shipped under the Exmark Parts Plus® and if it arrive in accordance to the program.
6. Who pays for the part and freight if it fails to arrive overnight in accordance to the program?
 - A. Under any circumstance the customer does not pay.
 - B. If the part does not arrive overnight due to:
 1. The dealer not submitting the Exmark Parts Plus® order to his Exmark distributor by 1:00 p.m., the dealer pays for the part and freight.
 2. The Distributor being unable to ship the part the same day or not submitting the Exmark Parts Plus® order to Exmark by 3:00 p.m., central time, the Distributor pays for the part and freight.
 3. Exmark being unable to ship the part and the Exmark parts order is received by 3:00 p.m., central time, Exmark pays for the part and freight.
 4. If the part does not arrive overnight due to the shipper (UPS), the shipper pays for the freight and Exmark pays for the part.



The following restrictions apply -- The Exmark Parts Plus® Program is available only through participating Exmark Dealers and applies only to orders submitted on this program Monday through Thursday. Parts Plus service is available only in the contiguous United States. UPS has initiated a Saturday delivery program to many areas of the continental United States and can be requested for an overnight shipment on Friday to be delivered Saturday. The next day air charge, plus the Saturday delivery fee will be the responsibility of the purchaser. Exmark Mfg. will assume no responsibility for Saturday delivery shipments. To qualify, all Exmark Parts Plus® orders must be received by Exmark by 3:00 p.m., central time. Orders must be six (6) line items or less. Exclusions from the Exmark Parts Plus® Program are: Any wholegood or accessory in its entirety, engines and engine replacement parts, 5-speed Peerless transmissions and 5-speed transaxles, hydraulic or hydrostatic wheel motors, cutter decks and engine decks or any item exceeding United Parcel Service size and weight restrictions.

Due to UPS restrictions, aerosol spray paint is considered a hazardous material and cannot be shipped via UPS next day or Second Day Air.

Exmark Manufacturing stocks a limited supply of parts for transaxles, pumps and wheel motors. These parts can be ordered for Next Day Air shipment but will not be guaranteed per the Parts Plus Program.



**READ OPERATOR'S MANUAL BEFORE
OPERATING OR SERVICING EXMARK EQUIPMENT.**

TABLE OF CONTENTS

<u>Description</u>	<u>Page</u>
Decals.....	18-19
Electrical Group	17
Engine Deck Group.....	8-11
52" Mower Deck	6-7
48" Mower Deck	4-5
Hydraulics Group	16
36" Mower Deck	2-3
Upper Handles & Controls	12-13
Upper Handles & Controls ECS	14-15
Wiring Diagrams	20

36" MOWER DECK

Ref. No.	Part No.	Description	Qty. Req'd.	Ref. No.	Part No.	Description	Qty. Req'd.
1	1-414386	Shield, belt w/decals	1	37	1-412134-03	Arm, weldmt.....	1
	1-413098-01	Shield, belt.....	1		1-414144	Arm, weldmt w/bushings.....	1
2	1-323385	Knob, belt shield	4	38	1-603384	Bushing, Idler Pivot	1
3	1-323417	Washer, belt shield	4	39	1-613098	Pulley, Idler	1
4	1-414309	Support wld w/bushings & decals	1	40	1-413113	Bushing, Idler	1
	1-412108-01	Support weldment	1	41	3296-29	Nut, Nyloc 5/16-18	2
5	1-413425	Spacer, Front Deck Support	2	42	32128-20	Nut, Whizlock 5/16-18.....	3
6	1-513336	Bushing, deck support	2	43	322-5	Screw, Hex Cap 5/16-18.....	3
7	1-634619	Housing w/Brgs, Spacer & Ring... 2		44	1-603001	Rod, Deck Support.....	2
8	1-323539	Spacer, Blade Drive.....	2	45	1-806332	Rollpin, 1/4x1 1/2	2
9	1-413525	Link, Deck Support.....	2	46	322-2	Screw, Hex Cap 5/16-18 x 1	3
10	323-7	Screw, Hex Cap 3/8-16 x 1 1/4....	20	47	1-414383	Deck weldmt w/decals, discharge Baffle & support rods	1
11	3219-3	Nut, Reg Hex 3/8-24	2		1-412104-01	Deck weldmt	1
12	32120-33	Ring, Retaining	2	48	1-522480-01	Baffle, discharge.....	1
13	1-806009	Hairpin, Cotter .177 #206.....	4	49	1-613204	Ball Joint	2
14	302-52	Zerk, Straight 1/8.....	2	50	323-13	Screw, Hex Cap 3/8-16 x 2 3/4....	1
15	323-6	Screw, Hex Cap 3/8-16x1	2	51	1-800805	Screw, Hex Cap 3/8-16 x 3 1/2 G8	1
16	3253-5	Washer, 3/8 heavy spring.....	2	52	1-633482	Blade, 18.00 notched air foil	2
17	1-373034	Washer, Swivel	3		1-613251	Blade, 18.00 solid air foil.....	2
18	1-303514	Bearing, Flange	4	•	1-513208	Blade, 18.00 mulching.....	2
19	3217-9	Nut, Reg Hex 1/2-13.....	2		1-633485	Blade, 18.00 low lift (optional)	2
20	3253-7	Washer, Lock Hlcl Spg 1/2 Reg....	2	53	1-513208	Washer, Spring disc.....	4
21	1-522143-01	Caster weldment.....	2	54	103-1026	Screw, Hex Cap 5/8-11 x 1 G8	2
22	325-20	Screw, Hex Cap 1/2-13x6.....	2	55	1-603299	Roller, antiscalp.....	1
23	3290-357	Nut, Whizlock 3/8-16	12	56	1-603602	Bushing, roller	1
24	98-5975	Washer, Disc Spring 3/8.....	11	57	98-5961	Screw, Hex Cap 3/8-16x1 3/4	2
25 _t	103-1224	Tire & Wheel Asm(semi-pneumatic)	2	58	1-603050	Bushing Spacer.....	2
	1-513648	Tire & Wheel Asm (pneumatic)	2	59	3219-6	Nut, Reg hex 5/8-18.....	2
	1-513809	Roller Bearing (all).....	2	60 *	1-413424	Sheave w/Hub	2
	1-513810	Bushing (all).....	4	61	323-9	Screw, hex Cap 3/8-16x1 3/4.....	2
	1-513807	Wheel & Hub (pneumatic)	2	62 *	1-513016	Bearing	8
	1-513808	Tire, 9x3/5-4 4-ply (pneumatic)....	2	63	1-414521	Link, Assembly.....	2
26	1-513547	Spacer	2	∇			
27	1-412238-01	Chute weldment, discharge	1	64	1-323532	Housing, Spindle	2
28	1-413094	Belt, deck drive.....	1	65	1-323528	Spacer, Bearing	2
29	1-633151	Spring, extension	1	66	1-633573	Guard, Bearing-Bottom	2
30	3296-39	Nut, Nyloc 3/8-16	13	67	32120-8	Ring, Snap.....	2
31	3256-4	Washer, Flat Std 3/8	1	68	1-807268	Key, machine.....	2
32	1-513034	Pivot, Bearing.....	2	69	1-413330	Shaft, Spindle	2
33	302-40	Zerk, 90 degree 1/4-28	1	70	1-414335	Housing,Cutter assembly.....	2
34	3234-11	Bolt, Hex Whizlock 3/8-16x1	1	71	1-611216	Kit, Link Assembly.....	2
35	3256-24	Washer, Flat 3/8 SAE	2	72	1-323533	Spacer.....	2
36	1-413099	Pulley, Idler	1	73	103-0320	Assembly,Cutting deck complete.	1

• Requires installation of Micro-Mulch accessory for proper mulching. Mulch kit P/N MK363(36")

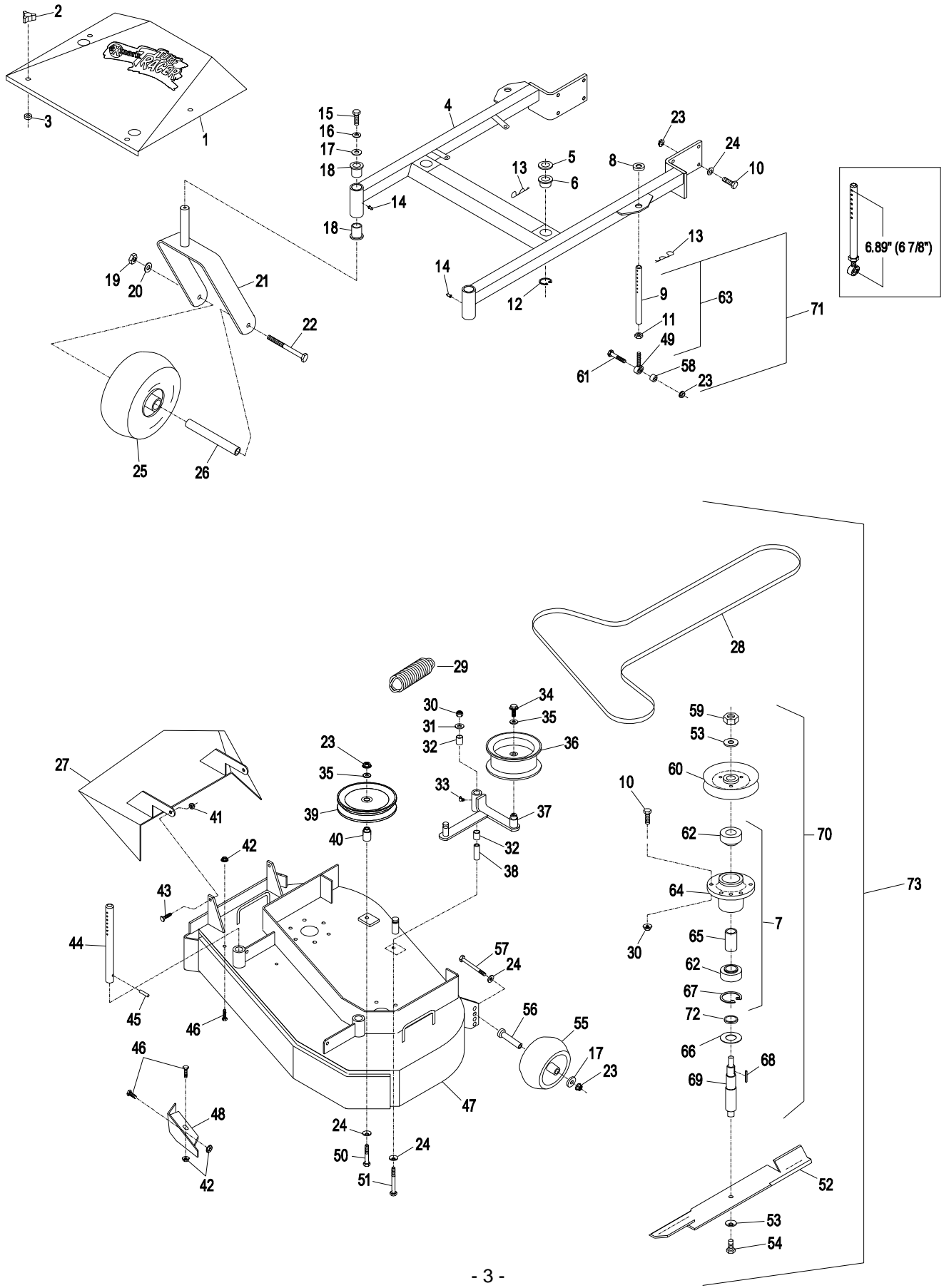
* Use antisieze on bore of sheaves and bearings.

Exmark red touch up spray paint - P/N 1-850337

∇ Link assembly must be assembled to 6.89" (or approximately 6 7/8") length between center of ball joint and center of furthest hole. See diagram on next page.

† Early models with standard pistol grip handles have pneumatic casters (with valve stems – order assembly part number 1-513648). Later models with standard pistol grip handles and all models with ECS handles have semi-pneumatic casters (without valve stems – order assembly part number 103-1224)

36" MOWER DECK



48" MOWER DECK

Ref. No.	Part No.	Description	Qty. Req'd.	Ref. No.	Part No.	Description	Qty. Req'd.
1	1-414387	Shield, belt w/decals	1	38	1-603384	Bushing, Idler Pivot	1
	1-413101-01	Shield, belt	1	39	1-613098	Pulley, Idler	2
2	1-323385	Knob, belt shield	4	40	1-413113	Bushing, Idler	2
3	1-323417	Washer, belt cover.....	4	41	3296-29	Nut, Nyloc 5/16-18	8
4	1-414310	Support wld w/bushings & decals	1	42	32128-20	Nut, Whizlock 5/16-18.....	5
	1-412110-01	Support weldmt.....	1	43	322-5	Screw, Hex Cap 5/16-18.....	2
5	1-413425	Spacer, Front Deck Support	2	44	1-603001	Rod, Deck Support.....	2
6	1-513336	Bushing, deck support	2	45	1-806332	Rollpin, 1/4x1 1/2	2
7	1-634619	Housing w/Brgs, Spacer & Ring... 3		46	322-2	Screw, Hex Cap 5/16-18 x 5/8.....	3
8	1-323539	Spacer, Blade Drive.....	2	47	1-414384	Deck weldmt w/decals, discharge	
9	1-413525	Link, Deck Support.....	2			Baffle & support rods	1
10	323-7	Screw, Hex Cap 3/8-16 x 1 1/4.....	26		1-412106-01	Deck weldmt	1
11	3219-3	Nut, Reg Hex 3/8-24	2	48	1-522480-01	Baffle, discharge.....	1
12	32120-33	Ring, Retaining	2	49	1-613204	Ball Joint	2
13	1-806009	Hairpin, Cotter .177 #206.....	4	50	323-13	Screw, Hex Cap 3/8-16 x 2 3/4	2
14	302-52	Zerk, Straight 1/8	2	51	1-800805	Screw, Hex Cap 3/8-16 x 3 1/2 G8	1
15	323-6	Screw, Hex Cap 3/8-16x1	2	52	1-323515	Blade, 16.25 notched air foil	3
16	3253-5	Washer, 3/8 heavy spring	2		1-413438	Blade, 16.25 solid air foil.....	3
17	1-373034	Washer, Swivel.....	6	•	1-403148	Blade, 16.25 mulching.....	3
18	1-303514	Bearing, Flange	4		1-403149	Blade, 16.25 low lift (optional).....	3
19	3217-9	Nut, Reg Hex 1/2-13	2	53	1-513208	Washer, Spring disc.....	6
20	3253-7	Washer, Lock Hlcl Spg 1/2 Reg.....	2	54	103-1026	Screw, Hex Cap 5/8-11 x 1 G8	3
21	1-522143-01	Caster weldment.....	2	55	1-603299	Roller, antiscalp.....	4
22	325-20	Screw, Hex Cap 1/2-13x6.....	2	56	1-603602	Bushing, roller	4
23	3290-357	Nut, Whizlock 3/8-16	16	57	98-5961	Screw, Hex Cap 3/8-16x1 3/4	4
24	98-5975	Washer, Disc Spring 3/8.....	15	58	1-603050	Bushing Spacer.....	2
25∇	103-1224	Tire & Wheel Asm (semi pneumatic)	2	59	3219-6	Nut, Reg hex 5/8-18	3
∇	1-513648	Tire & Wheel Asm (pneumatic)	2	60*	1-413424	Sheave w/Hub	3
	1-513819	Roller Bearing (all).....	2	61	323-9	Screw, hex Cap 3/8-16x1 3/4.....	2
	1-513810	Bushing (all)	4	62*	1-513016	Bearing	6
	1-513807	Wheel & Hub (pneumatic)	2	63∇	1-414521	Link, Assembly.....	2
	1-513808	Tire, 9x3/5-4 4-ply (pneumatic)	2	64	1-323532	Housing, Spindle	3
26	1-513547	Spacer	2	65	1-323528	Spacer, Bearing	3
27	1-522478-01	Chute weldment, discharge	1	66	1-633573	Guard, Bearing-Bottom	3
28	1-413093	Belt, deck drive.....	1	67	32120-8	Ring, Snap.....	3
29	1-633151	Spring, extension	1	68	1-807268	Key, machine.....	3
30	3296-39	Nut, Nyloc 3/8-16	19	69	1-413330	Shaft, Spindle	3
31	3256-4	Washer, Flat Std 3/8.....	1	70	1-414335	Housing, Cutter Assembly	3
32	1-513034	Pivot, Bearing.....	2	71	1-653482	Shield, Belt.....	2
33	302-40	Zerk, 90 degree 1/4-28	1	72	3256-3	Washer, Flat Std 5/16	6
34	3234-11	Bolt, Hex Whizlock 3/8-16x1.....	1	73	1-800017	Bolt, Hex Tap 5/16-18 3 1/4.....	2
35	3256-24	Washer, Flat 3/8 SAE	2	74	1-611216	Kit, Link Assembly.....	2
36	1-413099	Pulley, Idler	1	75	1-323533	Spacer.....	3
37	1-412394	Arm, weldmt.....	1	76	103-0321	Assembly,Cutting deck complete.	1
	1-414398	Arm, weldmt w/bushings	1				

• Requires installation of Micro-Mulch accessory for proper mulching. Mulch kit P/N MK483(48")

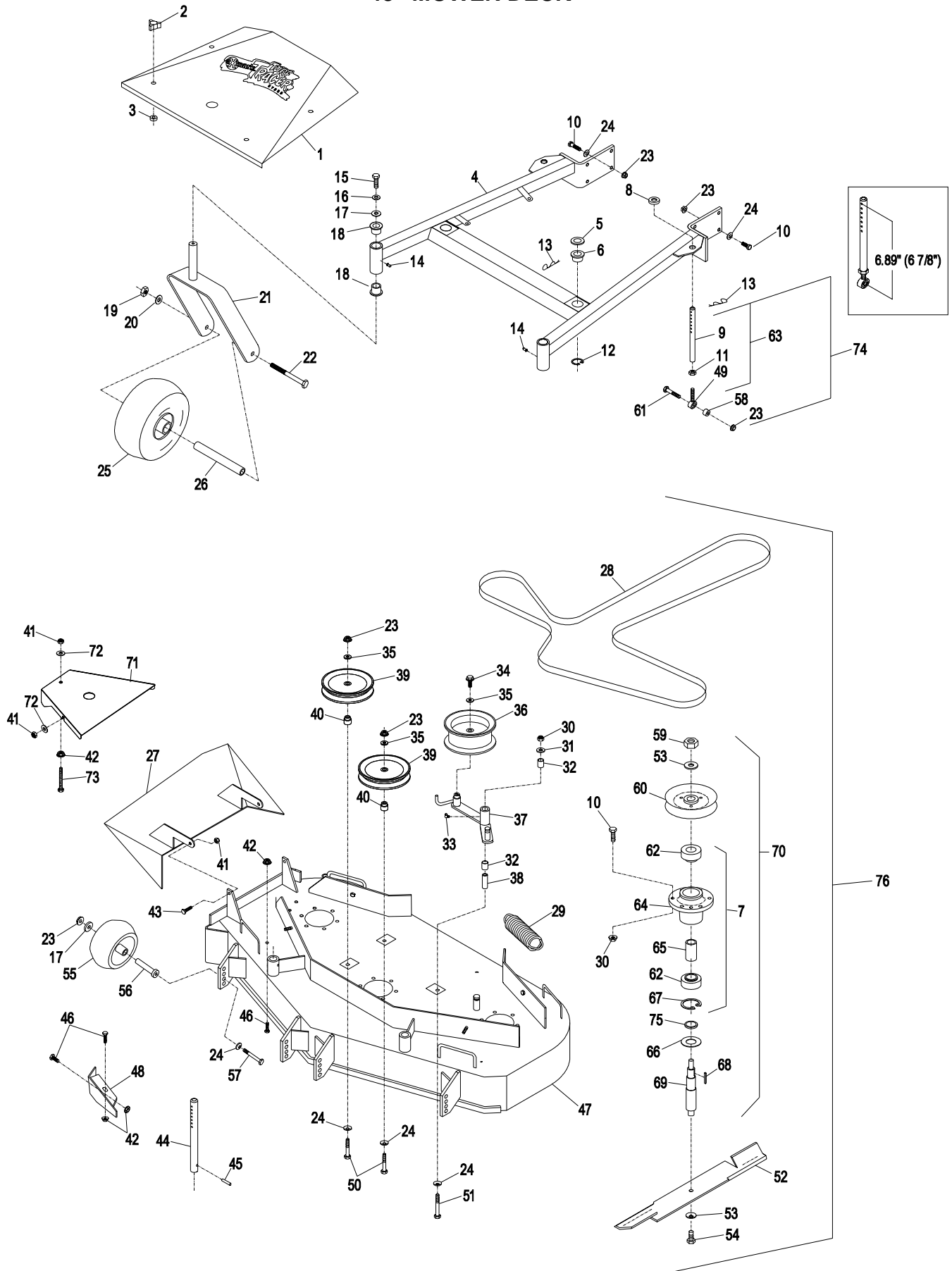
* Use antisieze on bore of sheaves and bearings.

Exmark red touch up spray paint - P/N 1-850337

∇ Link assembly must be assembled to 6.89" (or approximately 6 7/8") length from center of ball joint to center of furthest hole. See diagram on next page.

∇ Early models with standard pistol grip handles have pneumatic casters (with valve stems – order assembly part number 1-513648). Later models with standard pistol grip handles and all models with ECS handles have semi-pneumatic casters (without valve stems – order assembly part number 103-1224)

48" MOWER DECK



52" MOWER DECK

Ref. No.	Part No.	Description	Qty. Req'd.	Ref. No.	Part No.	Description	Qty. Req'd.
1	1-414388	Shield, belt w/decals.....	1	37	1-412394-03	Arm, weldment	1
	1-413303-01	Shield, belt	1		1-414398	Arm, weldment w/bushings	1
2	1-323385	Knob, belt shield.....	5	38	1-603384	Bushing, Idler Pivot.....	1
3	1-323417	Washer, belt cover	5	39	1-613098	Pulley, Idler	2
4	1-414311	Support wld w/bushings & decals	1	40	1-413113	Bushing, Idler.....	2
	1-412317-01	Support weldmt	1	41	3296-29	Nut, Nyloc 5/16-18.....	2
5	1-413425	Spacer, Front Deck Support.....	2	42	32128-20	Nut, Whizlock 5/16-18	6
6	1-513336	Bushing, deck support.....	2	43	322-5	Screw, Hex Cap 5/16-18	2
7	1-611216	Kit, Link Assembly.....	2	44	1-603001	Rod, Deck Support	2
8	1-323539	Spacer, Blade Drive	2	45	1-806332	Rollpin, 1/4x1 1/2.....	2
9	1-413525	Link, Deck Support.....	2	46	322-6	Screw, Hex Cap 5/16-18 x 5/8	6
10	323-7	Screw, Hex Cap 3/8-16 x 1 1/4 ...	26	47	1-414385	Deck weldmt w/decals, discharge	
11	3219-3	Nut, Reg Hex 3/8-24	2			Baffle & support rods	1
12	32120-33	Ring, Retaining	2		1-412313-01	Deck weldmt.....	1
13	1-806009	Hairpin, Cotter .177 #206	4	48	1-602913-01	Baffle, discharge	1
14	302-52	Zerk, Straight 1/8.....	2	49	1-613204	Ball Joint.....	2
15	323-6	Screw, Hex Cap 3/8-16x1	2	50	323-13	Screw, Hex Cap 3/8-16 x 2 3/4 ...	2
16	3253-5	Washer, 3/8 heavy spring	2	51	1-800805	Screw, Hex Cap 3/8-16 x 3 1/2 G8	1
17	1-373034	Washer, Swivel.	8	52	1-633482	Blade, 18.00 notched air foil.....	3
18	1-303514	Bearing, Flange.....	4		1-613251	Blade, 18.00 solid air foil	3
19	3217-9	Nut, Reg Hex 1/2-13	2		1-633484	Blade, 18.00 mulching	3
20	3253-7	Washer, Lock Hlcl Spg 1/2 Reg....	2		1-633485	Blade, 18.00 low lift (optional)	3
21	1-522143-01	Caster weldment.....	2	53	1-513208	Washer, Spring disc	6
22	325-20	Screw, Hex Cap 1/2-13x6	2	54	103-1026	Screw, Hex Cap 5/8-11 x 1 G8....	3
23	3290-357	Nut, Whizlock 3/8-16.....	18	55	1-603299	Roller, antiscalp	6
24	98-5975	Washer, Disc Spring 3/8	17	56	1-603602	Bushing, roller.....	6
25∇	103-1224	Tire & Wheel Asm (semi-pneumatic)	2	57	98-5961	Screw, Hex Cap 3/8-16x1 3/4.....	6
∇	1-513648	Tire & Wheel Asm (pneumatic).....	2	58	1-603050	Bushing Spacer	2
	1-513809	Roller Bearing (all)	2	59	3219-6	Nut, Reg hex 5/8-18.....	3
	1-513810	Bushing (all).....	4	60*	1-413424	Sheave w/Hub	3
	1-513807	Wheel & Hub (pneumatic).....	2	61	323-9	Screw, hex Cap 3/8-16x1 3/4	2
	1-513808	Tire, 9x3/5-4 4-ply (pneumatic).....	2	62*	1-513016	Bearing	6
26	1-513547	Spacer	2	63 _t	1-414521	Link, Assembly	2
27	1-602571-01	Chute weldment, discharge	1	64	1-323532	Housing, Spindle	3
28	1-413308	Belt, deck drive.....	1	65	1-323528	Spacer, Bearing.....	3
29	1-633151	Spring, extension	1	66	1-633573	Guard, Bearing-Bottom	3
30	3296-39	Nut, Nyloc 3/8-16.....	27	67	32120-8	Ring, Snap	3
31	3256-4	Washer, Flat Std 3/8	9	68	1-807268	Key, machine	3
32	1-513034	Pivot, Bearing.....	2	69	1-413330	Shaft, Spindle	3
33	302-40	Zerk, 90 degree 1/4-28.....	1	70	1-414335	Housing, Cutter Assembly.....	3
34	3234-11	Bolt, Hex Whizlock 3/8-16x1	1	71	1-413305-01	Shield, Belt	2
35	3256-24	Washer, Flat 3/8 SAE	3	72	1-323533	Spacer	3
36	1-413099	Pulley, Idler.....	1	73	1-634619	Housing w/brgs, spacer & ring	3
				74	103-0322	Assembly,Cutting deck complete	1

• Requires installation of Micro-Mulch accessory for proper mulching. Mulch kit P/N MK523(52")

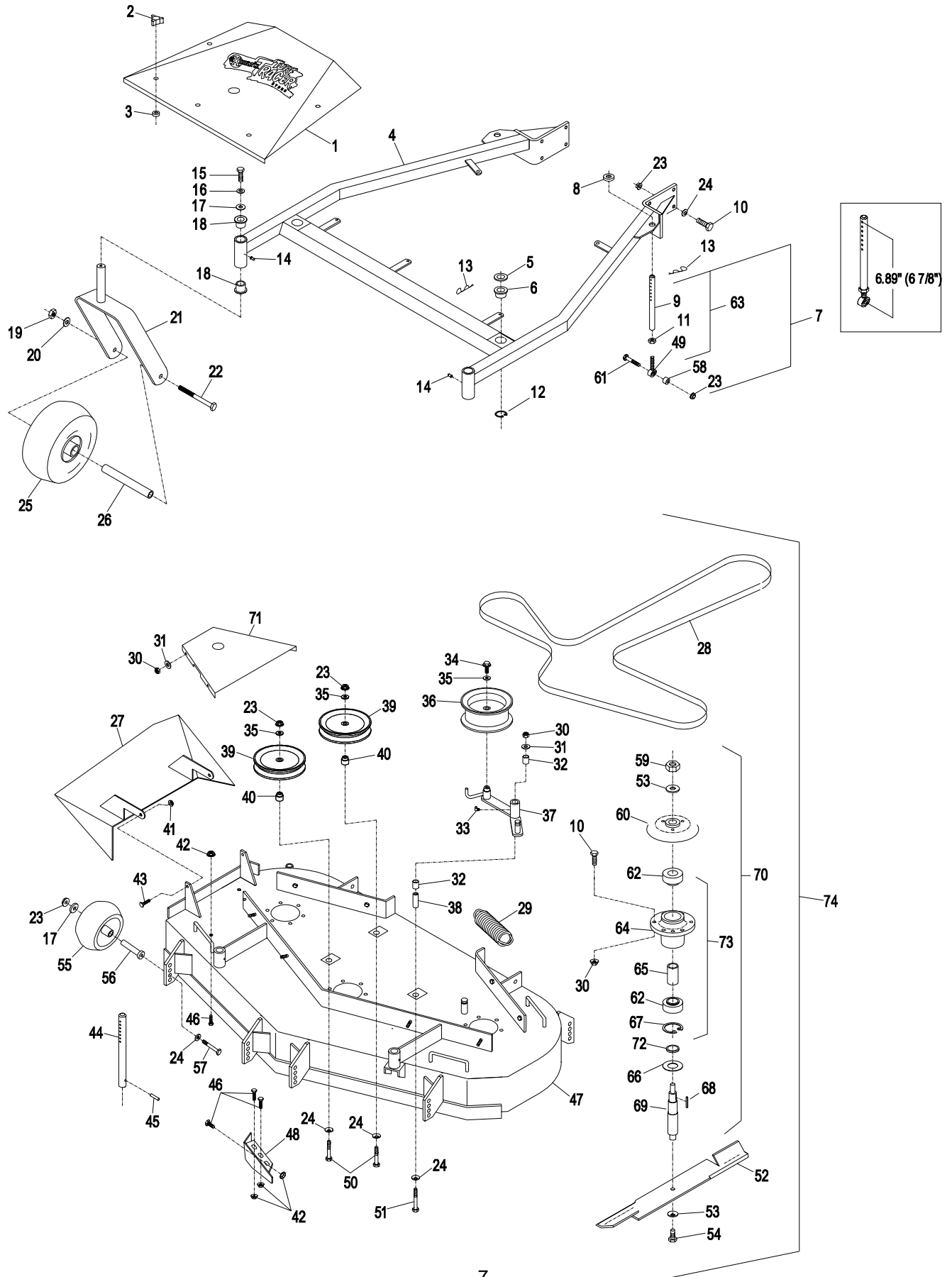
* Use antisieze on bore of sheaves and bearings.

Exmark red touch up spray paint - P/N 1-850337

† Link assembly must be assembled to 6.89" (or approximately 6 7/8") length between center of ball joint and center of furthest hole. See diagram on next page.

∇ Early models with standard pistol grip handles have pneumatic casters (with valve stems – order assembly part number 1-513648). Later models with standard pistol grip handles and all models with ECS handles have semi-pneumatic casters (without valve stems – order assembly part number 103-1224)

52" MOWER DECK



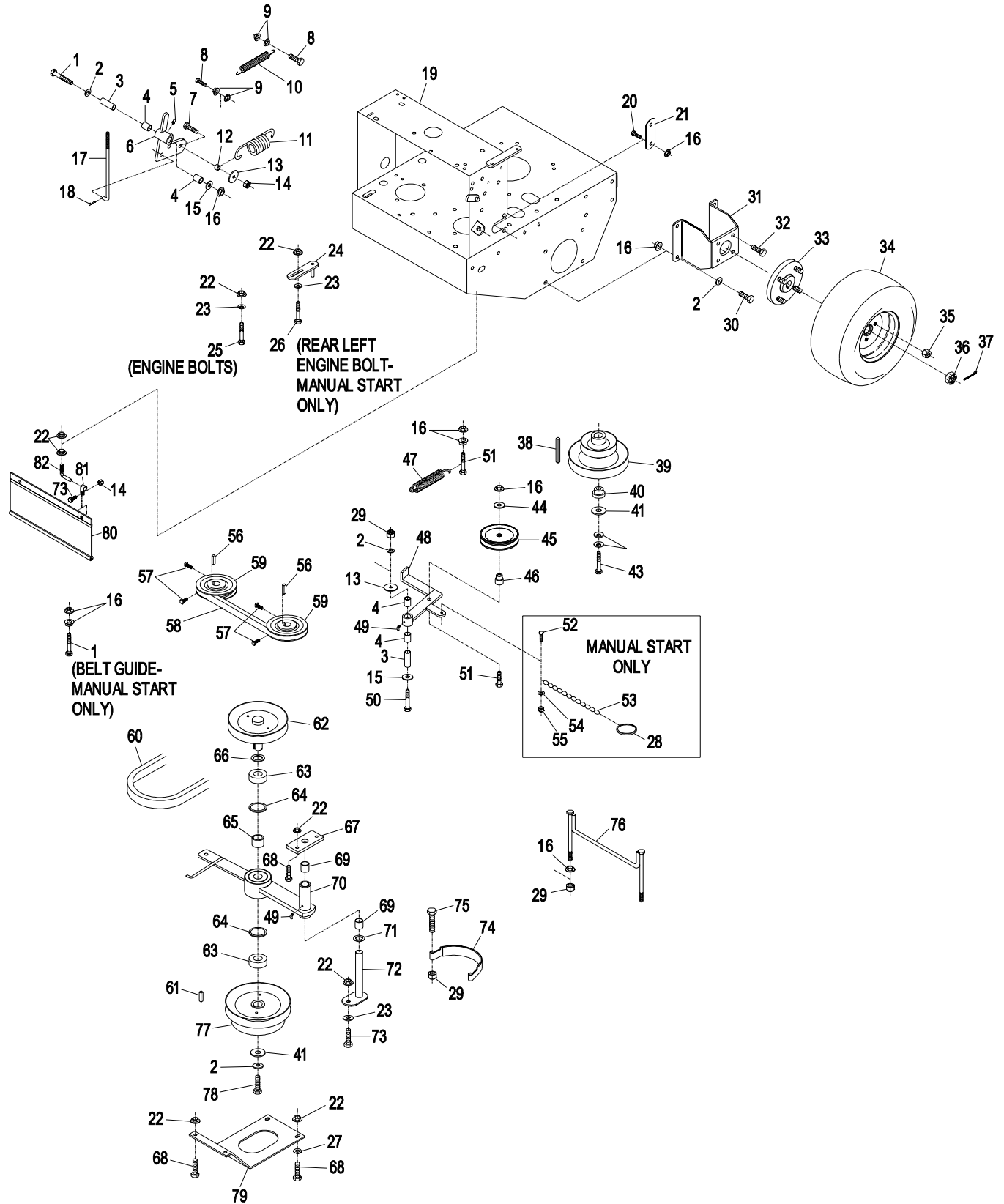
ENGINE DECK GROUP

Ref. No.	Part No.	Description	Qty. Req'd.	Ref. No.	Part No.	Description	Qty. Req'd.
1	323-11	Screw, 3/8-16 x 2-1/4.....	2	40	1-603609	Bushing	1
•	323-11	Screw, 3/8-16 x 2-1/4	1	41	1-373034	Washer, pivot.....	2
2	98-5975	Washer, 3/8 disc spring	11	42	1-603610	Washer	2
3	1-603044	Bushing.....	2	43▽	3212-10	Screw,7/16-20x2-1/2	1
4	1-513034	Bearing, pivot.....	4	44	3256-24	Washer, 3/8 SAE flat.....	1
5	302-19	Zerk, straight.....	1	45	1-603843	Pulley, idler.....	1
6	1-412285-03	Link weldmt, pivot.....	1	46	1-603496	Bushing - Idler	1
	1-414143	Link weldmt, pivot w/brgs	1	47	1-603402	Spring, extension	1
7	322-6	Screw, 5/16-18 x 1-1/4.....	1	48	1-412136-03	Idler arm weldmt	1
8	321-6	Screw, 1/4-20 x 1	2		1-414141	Idler arm weldmt w/brgs....	1
9	32128-33	Nut, 1/4-20 whizlock	4	49	1481	Zerk, 45 degree	2
10	1-523498	Spring, motion control.....	1	50	323-13	Screw, 3/8-16 x 2-3/4	1
11	1-513113	Spring, belt tension.....	1	51	323-9	Screw, 3/8-16 x 1-3/4	2
12	1-543007	Spacer	1	52★	1-809069	Screw, #10-24 x 7/8	1
13	1-213069	Washer	2	53★	1-323365	Chain, cold start	1
14	3296-29	Nut, 5/16-18 nylock	3	54★	3256-14	Washer, 7/32 std flat	1
15	3256-4	Washer, 3/8 std flat.....	2	55★	3296-2	Nut, #10-24 nylock	1
16	3290-357	Nut, 3/8-16 whizlock	18	56	1-807272	Key, 5mm sq x 25mm	2
•	3290-357	Nut, 3/8-16 whizlock.....	16	57▽	1-803050	Setscrew,sq hd cuppoint... 4	
17	1-413282	Linkage	1	58	1-413095	Belt, pump drive	1
18	1-806003	Hairpin cotter	1	59	1-413010	Sheave, pump drive	2
19	1-412515-01	Deck weldmt, engine	1	60	1-413096	Belt, blade clutch.....	1
20	323-4	Screw, 3/8-16 x 3/4.....	2	61	1-807259	Key, 1/4 sq x 1	2
21	1-633068	Arm	1	62	1-412011	Sheave w/shaft	1
22	32128-20	Nut, 5/16-18 whizlock	15	63	1-413111	Bearing, clutch	2
23	1-303334	Washer, 5/16 disc spring.....	5	64	32120-8	Ring, retaining	2
24	1-322110	Guide weldmt, belt	1	65	1-413012	Spacer, bearing.....	1
25	322-7	Screw, 5/16-18x1-1/2.....	3	66	1-523157	Washer, spacer.....	1
•	322-7	Screw, 5/16-18x1-1/2.....	4	67	1-413049-01	Plate, clutch pivot.....	1
26	322-9	Screw, 5/16-18x1-3/4.....	1	68	322-5	Screw, 5/16-18 x 1	6
27	3256-3	Washer, 5/16 std flat.....	2	69	1-413207	Pivot, bearing	2
28	1-323366	Ring, split.....	1	70	1-412417-03	Arm weldmt, clutch	1
29	3296-39	Nut, 3/8-16 nylock	5		1-414418	Arm weldmt, clutch w/brgs	1
30	323-6	Screw, 3/8-16 x 1	8	71	1-413235	Washer, spacer.....	1
31	1-412080-01	Mount, wheel motor 36".....	2	72	1-412138-03	Pin weldmt, pivot.....	1
	1-412082-01	Mount, wheel motor 48"&52"	2	73	322-3	Screw, 5/16-18 x 3/4	3
32	3234-12	Screw.3/8-16 x 3/4 whizlock .	8	74	1-413062	Band, brake.....	1
33	1-602997	Hub, four bolt w/studs.....	2	75	323-8	Screw, 3/8-16 x 1 1/2	2
	1-633926	Stud.....	8	76	1-412325	Guide weldmt, belt	1
34	1-413473	Wheel & tire assy.....	2	77	1-412031	Sheave w/drum (36" & 52")	1
	1-413474	Tire 16 x 6.50-8	2		1-412028	Sheave w/drum (48")	1
	1-603715	Wheel	2	78▽	1-800521	Screw, 3/8-24 x 1	1
35	242-50	Nut, wheel 1/4-20.....	8	79	1-413009-01	Plate, guard	1
36	32136-5	Nut, slotted 3/4-16.....	2	80	1-323607	Shield, trailing.....	1
37	1-806800	Pin, cotter 9/64 x 1-1/2	2	81	1-413510	Clip, loom - .50.....	2
38	1-807264	Key, 1/4sq x 2-5/8.....	1	82	1-413511	Hanger, drag shield.....	2
39	1-413004	Sheave assy, drive	1				

- ▽ Use Pro-Lock (nut type, Part no. 1-840022, 5 ml tube):
- on setscrew threads.
 - on sheave retaining bolt in engine crankshaft.
 - on sheave retaining bolt on clutch arm.
- Exmark red touch up spray paint - P/N 1-850337
- Electric start only

- Apply antiseize to:
- between engine crankshaft and pump and blade drive sheave.
 - between sheave w/shaft and bearing bores and sheave w/drum.
 - between wheel hub and motor shafts.
 - between pump shafts and sheaves.
- ★ Manual start only

ENGINE DECK GROUP



ENGINE DECK GROUP (con't.)

Ref. No.	Part No.	Description	Qty. Req'd.	Ref. No.	Part No.	Description	Qty. Req'd.
1	1-323245	Spring.....	1	33	103-1191-01	Arm weldmt, RH	1
2	32128-20	Nut, 5/16-18 whizlock	18	[103-1191-01	Arm weldmt, RH ("B").....	1
3	3296-29	Nut, 5/16-18 nylock	4	[1-402111	Arm weldmt, RH ("A").....	1
4	1-613089	Tab, spring extension.....	2	34	32151-47	Klipring .375 shaft ("B").....	2
5	1-603693	Spring, extension.....	2		32151-73	Klipring ("A")	2
6	1-413201-01	Shield, hydro	2	35	322-6	Screw, 5/16-18 x 1-1/4.....	2
7●	323-16	Screw, 3/8-16 x 4	7	36	3272-5	Cotter pin, 3/32 x 1/2	2
◇	323-16	Screw, 3/8-16 x 4	8	37	1-603903	Spacer	1
8	302-19	Zerk, 1/4-28.....	2	38	1-403180	Screw, CapHH 5/16-18x1... 2	
9	322-3	Screw, 5/16-18 x 3/4	4	39♦	1-809056	Bolt,.375x.375 hx skt hd ... 2	
10	1-805005	Washer, 5/16 hvy spr lock . 4	4	40	3256-24	Washer, 3/8 SAE flat	2
11	3256-2	Washer, 1/4 std flat	6	41	1-413151	Knob	1
12	3290-357	Nut, 3/8-16 whizlock	18	42	1-414507	Kit, oil drain valve.....	1
	3290-357	Nut, 3/8-16 whizlock	20	43	323-6	Screw, 3/8-16 x 1	8
13	1-323195-01	Spacer, shield	4	44	1-413252-01	Bracket, sulky LH.....	1
14	1-633102	Bearing, side flange.....	2	45	1-413254-01	Bracket, sulky RH	1
15	1-323197-01	Spacer, shield	4	46	1-411255	Sulky kit	1
16	1-603737	Bolt, neutral return.....	2	47◇	1-413505	Valve, oil drain	1
17	1-603807	Spring, neutral return.....	2	48◇	1-413506	O-ring.....	1
	103-0265	Spring, neutral return.....	2	49◇	32128-33	Nut 1/4-20 whizlock	2
18	1-603735	Bushing, nylon	2	50◇	1-543390	Insulator, battery -	1
19	3219-2	Nut, 5/16-24 hex.....	7	51◇	1-413540	Battery cable.....	1
20	1-303105	Yoke	2	52◇	1-543891	Battery cover.....	1
21	1-808280	Clevis pin, 5/16 x 1	2	53◇	103-0293	Battery – 12V MNFLD.....	1
22	1-806003	Hairpin cotter	2	54◇	103-1097	Stand w/trim lock 259,999&lower 1	
23	3220-2	Nut, 5/16-24 jam.....	2		103-1098	Stand w/trim lock 260,000&higher 1	
24	1-413350	Rod, control.....	2	55◇	1-413541	Trim-lok.....	1
25	1-412203	Crank weldmt	1	56◇	1-543882	Bolt-hold down	2
26	1-413219	Rod, drive lever	2	57◇	1-543792	Wingnut, nylock 1/4-20	2
27	3256-23	Washer, 5/16 SAE.....	7	58◇	321-4	Screw Cap HH 1/4-20 X 3/4 2	
28	1-603676	Swivel, short	2	59●	323-23	Screw,3/8-16 x 4 1/2.....	1
29	1-800016	Tap Bolt 5/16-18 x 1-1/4.....	2	◇	323-16	Screw,3/8-16 x 4.....	1
30	103-1235	Swivel, drive lever ("B")	2	60●	3296-39	Nut,3/8-16 nylock.....	1
	1-413227	Swivel, drive lever ("A")	2	61	98-3975	Washer,disc spring 3/8.....	2
31♦	1-803022	Setscrew, 5/16-18x5/8.....	2	62	103-1148	Rod,drive lever.....	2
32	103-1190-01	Arm weldmt, LH	1	63	323-8	Screw,3/8-16 x 1 1/2.....	2
[103-1190-01	Arm weldmt, LH ("B")	1	64	103-1167	Joint,.375 LH ball end.....	2
[1-402110	Arm weldmt, LH ("A")	1	65	103-1166	Tube,pump link spacer	2
				66	3220-16	Nut,jam 3/8-24 LH.....	2

◆ Use Pro-Lock nut type, Part No. 1-840022 (.5 ml tube) on shoulder bolt & setscrew threads.
Exmark red touch up spray paint - PN 1-850337

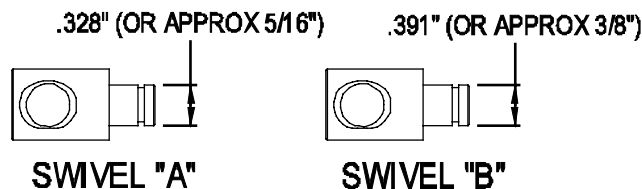
◇ Electric start only

● Manual start only

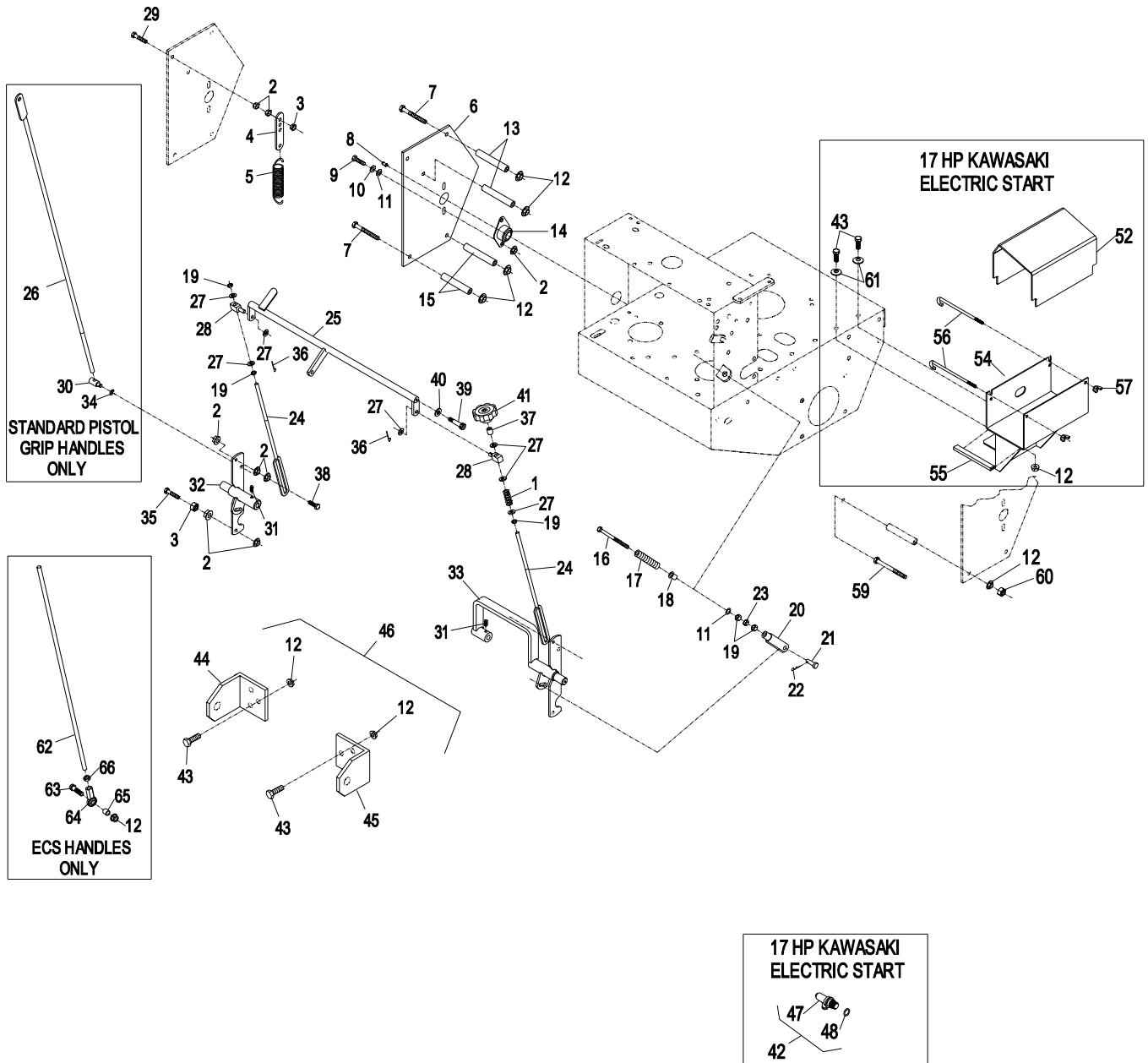
| Models with ECS handles only

Models with Standard pistol grip handles only

[There are two swivel combinations available on the unit. Measure the diameter of the drive lever swivel shaft as shown to determine which components are required.



ENGINE DECK GROUP (con't.)



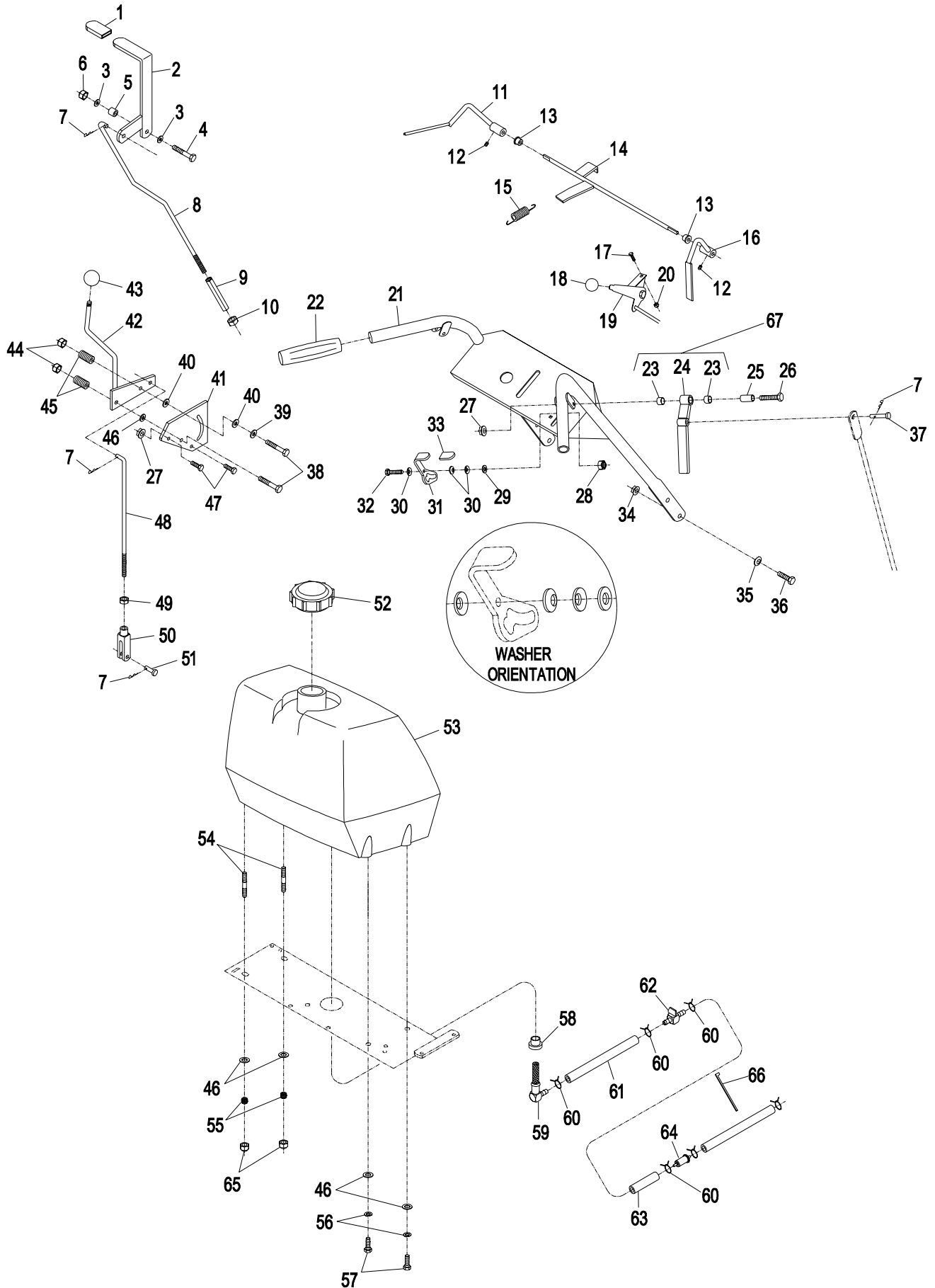
STANDARD PISTOL GRIP UPPER HANDLES and CONTROLS

Ref. No.	Part No.	Description	Qty. Req'd.	Ref. No.	Part No.	Description	Qty. Req'd.
1	1-303020	Grip	1	34	3290-357	Nut, 3/8-16 whizlock.....	4
2	1-414234	Asm, Lever/grip(1-412295)..	1	35	98-5975	Washer, 3/8 disc spring	4
3	3256-4	Washer, 3/8 std flat	2	36	323-6	Screw, 3/8-16 x 1	4
4	323-9	Screw, 3/8-16 x 1-3/4	1	37	1-613055	Pin, clevis	2
5	1-413088	Spacer	1	38	322-10	Screw, 5/16-18 x 2	2
6	3296-39	Nut, 3/8-16 nylock	1	39	1-603716	Washer, friction disc	1
7	1-806003	Hairpin cotter	5	40	1-323244	Washer, friction.....	2
8	1-413293	Rod, blade engagement.....	1	41	1-603730	Plate, shifter lever	1
9	1-413279	Turnbuckle	1	42	1-602733	Lever weldmt, shift.....	1
10	3217-7	Nut, 3/8-16 hex.....	1	43♦	1-603175	Knob.....	1
11▽	1-412183-03	Lever weldmt opc LH	1	44	3296-29	Nut, 5/16-18 nylock	2
12♦	1-803322	Setscrew, 5/16-24 x 5/16 ...	2	45	1-323245	Spring, compression	2
13	1-303365	Bushing, nylon	2	46	3256-23	Washer 5/16 SAE flat	5
14	1-322192-03	Rod weldmt, opc	1	47	321-3	Screw, 1/4-20 x 5/8.....	2
15	1-303363	Spring, actuator	1	48	1-413225	Rod, speed control.....	1
16▽	1-412185-03	Lever weldmt, opc RH.....	1	49	3220-2	Nut, 5/16-24 jam	1
17	1-807513	Bolt, #10-24 x 1/2 carriage.	2	50	1-303105	Yoke.....	1
18	1-513592	Knob, red throttle.....	1	51	1-808280	Clevis pin 5/16 x 1	1
19	1-413428	Throttle control	1	52	1-513508	Cap, fuel.....	1
20	3296-2	Nut, #10-24 nylock	4	53	1-413179	Tank, fuel	1
21	103-0213	Handle wld,upper w/ decals	1	54▽	1-633023	Stud, fuel tank.....	2
	1-412448-03	Handle wld,upper	1	55	1-633349	Spring, fuel tank	2
22	1-303097	Grip, handle.....	2	56	1-805005	Washer, 5/16 hvy lock	2
23	1-413152	Bearing	4	57	322-3	Screw, 5/16-18 x 3/4	2
24	1-412159-03	Lever, drive LH.....	1	58	1-513645	Bushing, fuel valve	1
	1-412161-03	Lever, drive RH (shown)	1	59	1-543277	Elbow, fuel tank.....	1
25	1-603749	Bushing, drive lever.....	2	60	1-303077	Clamp, fuel line	4
26	321-9	Screw, 1/4-20 x 1-1/2	2	61	1-603955	Hose, fuel line 6"	1
27	32128-33	Nut, 1/4-20 whizlock	4	62	1-603770	Valve, fuel	1
28	3296-42	Nut, 1/4-20 Nylock.....	3	63	1-303022	Hose, fuel line 8.5".....	1
29	3256-2	Washer 1/4 std flat.....	3	64	Kawasaki PN 41019-1055 w/6" fuel line...	1	
30	1-303435	Washer, 1/4 disc spr(shown)	6	65	3296-47	Nut, nyloc thin 5/16-18	2
31	1-612168	Thumb latch w/grip RH.....	1	66	1-303335	Tie, plastic	2
	1-612167	Thumb latch w/grip LH	1	67	103-0219	Asm, Drive Lever RH	1
32	321-10	Screw, 1/4-20 x 1-3/4.....	2		103-0218	Asm, Drive Lever LH	1
33	1-303019	Grip, latch.....	2				

♦ Use Pro-Lock nut type, Part no. 1-840022 (.5cc tube) on setscrew threads and on shifter knob threads.

▽ Use Pro-Lock retaining type, Part no. 1-840023 (.5cc tube) on inside of bore of OPC hub and on fuel tank studs.
Exmark black touch up spray paint - Gloss black

STANDARD PISTOL GRIP UPPER HANDLES and CONTROLS

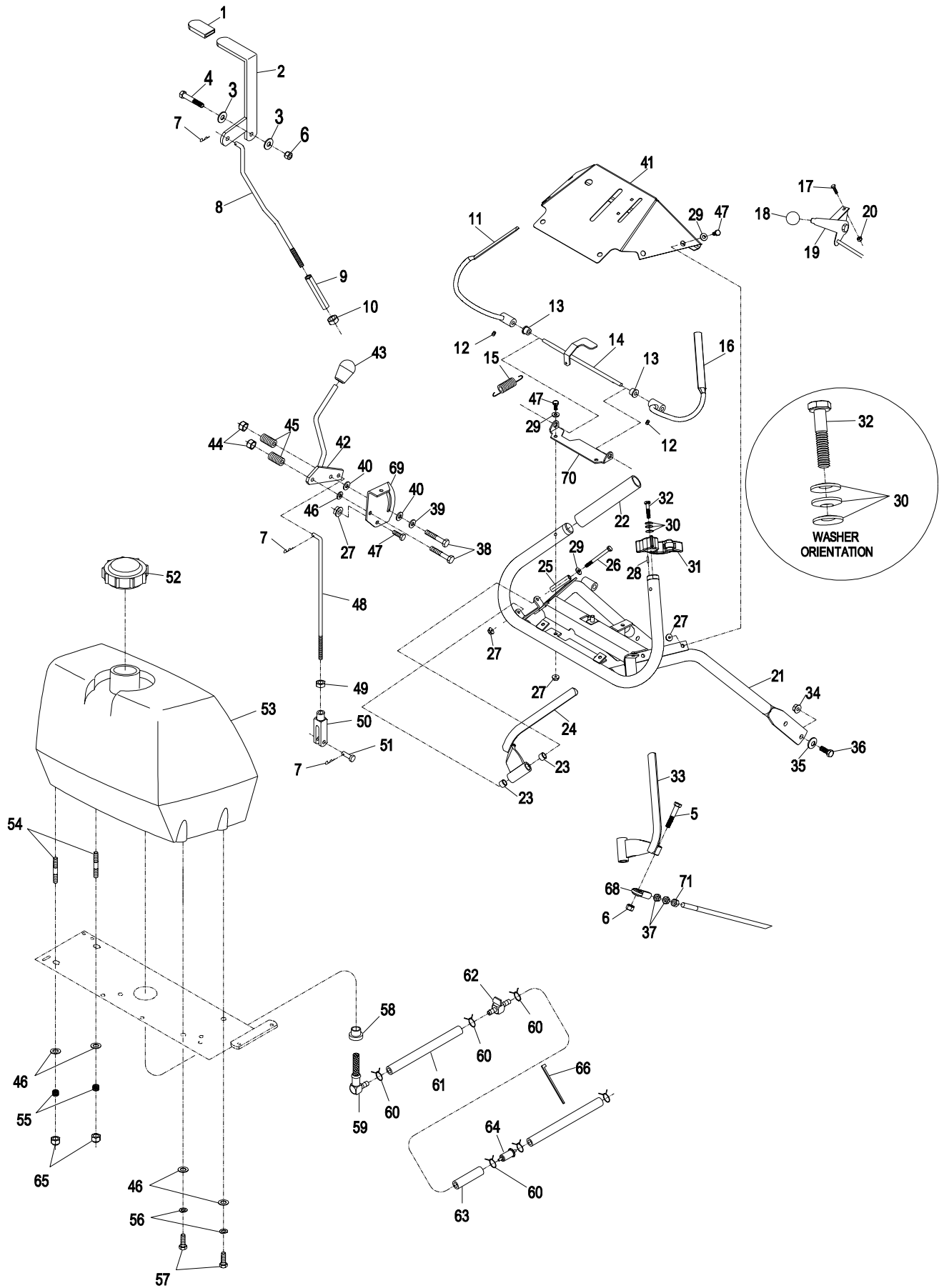


ECS UPPER HANDLES and CONTROLS

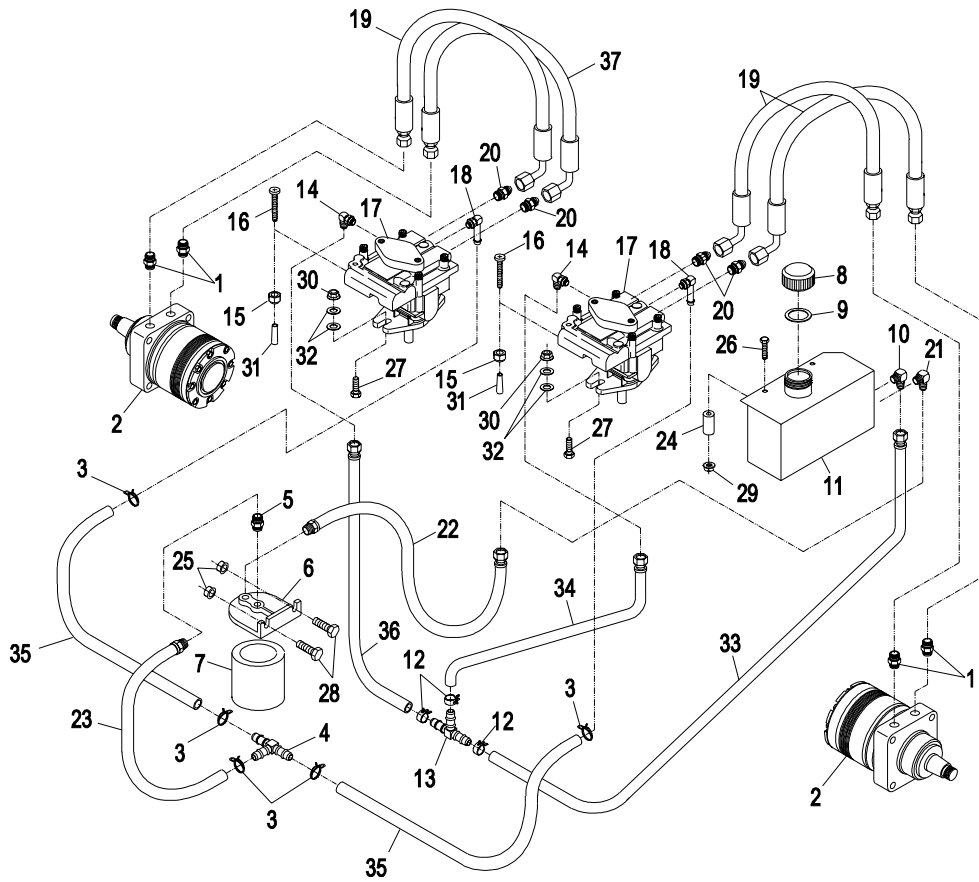
Ref. No.	Part No.	Description	Qty. Req'd.	Ref. No.	Part No.	Description	Qty. Req'd.
1	1-303020	Grip.....	1	38	322-10	Screw, 5/16-18 x 2.....	2
2	1-414234	Asm, Lever/grip(1-412295)..	1	39	1-603716	Washer, friction disc.....	1
3	3256-4	Washer, 3/8 std flat.....	2	40	1-323244	Washer, friction.....	2
4	323-11	Screw, 3/8-16 x 2-1/4.....	1	41	103-0546-03	Wld, upper handle console.	1
5	323-10	Screw, 3/8-16 x 2.....	1		103-1347	Console w/ decals.....	1
6	3296-39	Nut, 3/8-16 nylock.....	3	∇	103-1348	Console w/ decals.....	1
7	1-806003	Hairpin cotter.....	3	[103-0773	Speed shift weldmt.....	1
8	103-1149	Link, blade engagement....	1	42	103-0423	Knob .38-16 nyloc.....	1
9	1-413279	Turnbuckle.....	1	43	3296-29	Nut, 5/16-18 nyloc.....	2
10	3217-7	Nut, 3/8-16 hex.....	1	44	1-323245	Spring, compression.....	2
11∇	103-0767-03	Lever weldmt opc LH.....	1	45	3256-23	Washer 5/16 SAE flat.....	5
12♦	1-803322	Setscrew, 5/16-24 x 5/16...	2	46	321-3	Screw, 1/4-20 x 5/8.....	10
13	1-303365	Bushing, nylon.....	2	47	1-413225	Rod, speed control.....	1
14	103-0769-03	Lever axle weldmt, opc.....	1	48	3220-2	Nut, 5/16-24 jam.....	1
15	1-303363	Spring, opc extension.....	1	49	1-303105	Yoke.....	1
16∇	103-0768-03	Lever weldmt, opc RH.....	1	50	1-808280	Clevis pin 5/16 x 1.....	1
17	1-807513	Bolt, #10-24 x 1/2 carriage	2	51	1-513508	Cap, fuel.....	1
18	1-513592	Knob, red throttle.....	1	52	1-413179	Tank, fuel.....	1
19	1-413428	Throttle control (kaw).....	1	53	1-633023	Stud, fuel tank.....	2
20	3296-2	Nut, #10-24 nylock.....	4	54∇	1-633349	Spring, fuel tank.....	2
21	103-0770-03	Handle wld, upper ecs.....	1	55	1-805005	Washer, 5/16 hvy lock.....	2
22	103-0815	Grip, handle bar.....	2	56	322-3	Screw, 5/16-18 x 3/4.....	2
23	1-413152	Bearing.....	4	57	1-513645	Bushing, fuel valve.....	1
24	103-0771-03	Lever, drive LH.....	1	58	1-543277	Elbow, fuel tank.....	1
25	103-0027	Bushing, drive lever.....	2	59	1-303077	Clamp, fuel line.....	4
26	321-14	Screw, 1/4-20 x 2 3/4.....	2	60	1-603955	Hose, fuel line 6".....	1
27	32128-33	Nut, 1/4-20 whizlock.....	12	61	1-603770	Valve, fuel.....	1
28	103-0464	Pin, 1/8 x 1/2 spring.....	2	62	1-303022	Hose, fuel line 8.5".....	1
29	3256-22	Washer 1/4 sae flat.....	10	63	Kawasaki PN 41019-1055	w/6" fuel line... 1	
30	1-303435	Washer, 1/4 disc spring....	6	64	3296-47	Nut, nyloc thin 5/16-18.....	2
31	103-1371	Thumb latch asm RH(shown)	1	65	1-303335	Tie, plastic.....	2
	103-1372	Thumb latch asm LH.....	1	66	103-0219	Asm, Drive Lever RH.....	1
32	103-0235	Screw, 1/4-20 x 1-1/8 w/nylon	2	67	103-0218	Asm, Drive Lever LH.....	1
33	103-0772-03	Lever, drive RH.....	1	68	103-0608	Joint, .375 ball end.....	2
34	3290-357	Nut, 3/8-16 whizlock.....	4	69	103-0503	Bracket, shifter slide.....	1
35	98-5975	Washer, 3/8 disc spring....	4	70	103-0489-03	Bracket, opc axle.....	1
36	323-6	Screw, 3/8-16 x 1.....	4	71	3219-3	Nut, reg hex 3/8-24.....	2
37	3220-3	Nut, jam 3/8-24.....	4				

- ♦ Use Pro-Lock nut type, Part no. 1-840022 (.5cc tube) on setscrew threads and on shifter knob threads.
- ∇ Use Pro-Lock retaining type, Part no. 1-840023 (.5cc tube) on inside of bore of OPC hub and on fuel tank studs.
Exmark black touch up spray paint - Gloss black
- ∇ Electric start only
- [Manual start only

ECS UPPER HANDLES and CONTROLS



HYDRAULICS GROUP



Ref. No.	Part No.	Description	Qty. Req'd.	Ref. No.	Part No.	Description	Qty. Req'd.
1	1-603991	Fitting, strght connector	4	18	1-603989	Elbow, 90°	2
	1-603919	Boss O-Ring	1		1-603923	O-Ring	1
	1-603992	Flare O-Ring	1	19	1-613034	Hose, high pressure	3
2	1-603718	Wheel motor	2	20	1-603990	Adapter, straight thread	4
	1-000138	Kit, Bearing	1		1-603920	Boss O-Ring	1
	1-000119	Kit, seal	1		1-603992	Flare O-Ring	1
3	1-603827	Clamp, hose (5/8)	5	21	1-603988	Elbow, 90°	1
4	1-603721	Fitting, Hose Tee (3/8 I.D.)	1	22	1-602985	Hose, supply	1
5	1-513510	Connector, male	1	23	1-602754	Hose, charge line	1
6*	1-603720	Head, filter	1	24	1-323218	Spacer, hydraulic tank	2
7	1-513211	Element, oil filter	1	25	32128-20	Nut, whizlock 5/16-18	2
∇	1-523541	Element, oil filter(winter)	1	26	321-11	Screw, 1/4-20 x 2	2
8	1-513167	Cap, hydraulic reservoir	1	27	323-7	Screw, 3/8-16 x 1-1/4	4
9	1-523103	Gasket, tank cap	1	28	322-5	Screw, 5/16-18 x 1	2
10	1-603987	Elbow, 90°	1	29	32128-33	Nut, whizlock 1/4-20	2
11*	1-512166-03	Reservoir, hydraulic fluid	1	30	3290-357	Nut, whizlock 3/8-16	4
12	1-603826	Hose Clamp 1/2	3	31	1-613073	Grip, dump valve	2
13	1-603722	Fitting - Hose Tee(1/4 I.D.)	1	32	3256-3	Washer, 5/16 std	8
14	1-513840	Elbow - 90°	2	33	1-602750	Hose, case drain	1
	1-603921	O-Ring	1	34	1-632286	Hose assy, lo pressure	1
15	3296-42	Nut, nylock 1/4-20	2	35	1-413273	Hose, lo pressure	2
16	1-801063	Screw, 1/4-20x2 pan head	2	36	1-632285	Hose assy, lo pressure	1
17	1-613042	Pump, hydro	2	37	1-323241	Hose, high pressure	1

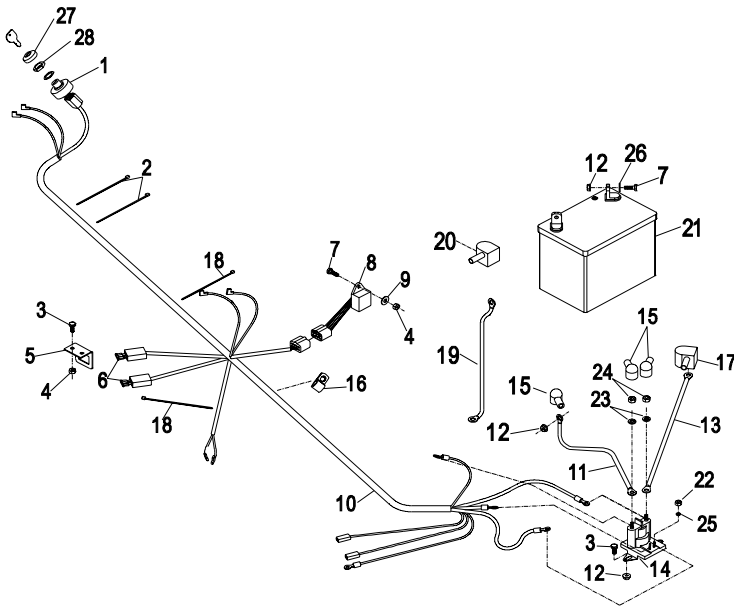
* Use Teflon Pipe Sealant or equivalent on hydraulic reservoir and filter head fittings.

∇ Use only for operation below 32°F(0°C)

Exmark black touch up spray paint - gloss black

ELECTRICAL GROUP

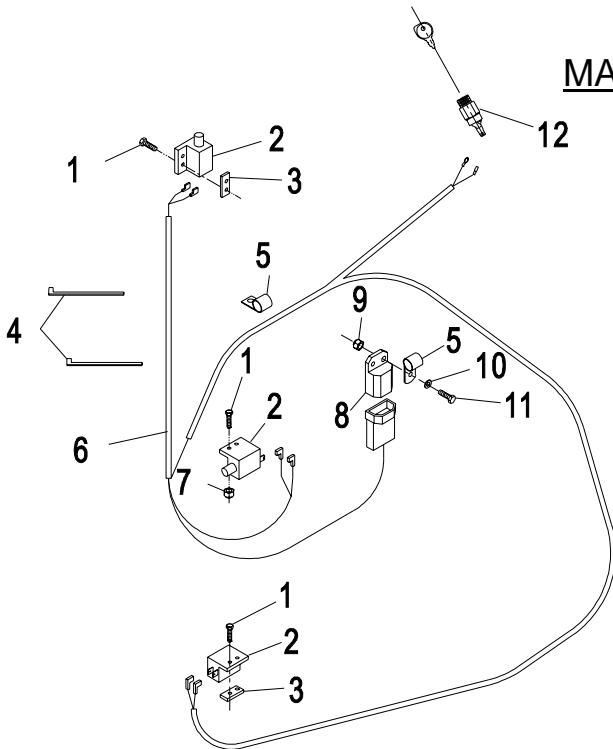
ELECTRIC START



Ref. No.	Part No.	Description	Qty. Req'd.
1	103-0206	Switch, ignition.....	1
	1-603511	Keys, ignition	1
2	1-303335	Tie, plastic	2
3	323-1	Screw, ¼-20 x 5/8	4
4	3296-42	Nut, ¼-20 nylock.....	3
5	1-323442-01	Bracket, fuse	1
6	1-816001	Fuse, 20A	2
7	321-4	Screw, ¼-20 x 3/4	3
8	1-613198	Module.....	1
9	3256-23	Washer, 5/16 sae flat	1
10●	103-1182	Harness, wiring.....	1
11	1-633306	Cable, Solenoid/Starter + ..	1
12	32128-33	Nut, ¼-20 whizlock	6
13	1-603490	Cable, battery +	1
14	1-513075	Switch, 12V solenoid	1
15	1-543393	Insulator, solenoid +	3
16	1-603727	Clip, loom	1
17	1-543391	Insulator, battery +	1
18	1-303287	Tie, plastic	2
19	1-413540	Battery cable.....	1
20	1-543390	Insulator, battery -	1
21	103-0293	Battery, 12V MNFLD	1
22	3219-14	Nut, hex #10-32 GR2,YZ...	2
23	3253-4	Washer-lok .313	2
24	3220-2	Nut, jam 5/16 - 24.....	2
25	3253-17	Washer,lok .190	2
26	3256-2	Washer,1/4 flat.....	2
27	103-0499	Seal, Ignition Switch	1
28	103-0498	Nut, Ignition Switch.....	1

● Use dielectric grease on all electrical connectors.

MANUAL START



Ref. No.	Part No.	Description	Qty. Req'd.
1	3290-500	Screw, #10-24 x 5/8	6
2	1-513051	Switch.....	3
3	1-633181	Plate, tapped	2
4	1-303287	Tie, plastic	3
5	1-323229	Clip, loom	2
6●	103-1181	Harness, wiring	1
7	1-804002	Nut, square #10-24.....	2
8	1-323430	Module, interlock	1
9	3296-42	Nut, nulock ¼-20	1
10	3256-2	Washer, ¼ std flat	1
11	321-4	Screw, ¼-20 x 3/4	1
12	1-403121	Switch, on/off	1
	1-603511	Keys, ignition	1

● Use dielectric grease on all electrical connectors.

DECALS

Ref. No.	Part No.	Description	Qty. Req'd.	Ref. No.	Part No.	Description	Qty. Req'd.
1∇	103-0172	Decal, console	1	18	1-323411	Decal, commercial 36	1
2∇Y	103-0174	Decal, console.....	1	19	1-403131	Decal, commercial 48	1
3	103-1077	Decal, bolt torque	1	20	1-403132	Decal, commercial 52	1
4∇	1-613049	Decal, console.....	1	21	1-403143	Decal, sulky warning	1
5 Y	103-1043	Decal, console ECS	1	22	103-1165	Decal, ECS	2
6	1-523552	Decal, hydraulic tank	1	23Y	1-513747	Decal, battery.....	1
7	1-303508	Decal, discharge warning	1	24	1-303520	Decal, trivantage	1
8	1-413342	Decal, swash.....	1	25	1-413214	Decal, tracking	1
9	1-323691	Decal, throttle	1	26	1-603845	Decal, hyd drive release	1
10	1-643386	Decal, exmark logo	1	27	1-413206	Decal, belt routing (36)	1
11	1-303517	Decal, belt drive.....	1	28	1-323540	Decal, roller mounting.....	1
12	103-0186	Decal, console ECS	1	29	1-413327	Decal, belt routing (48 & 52) ..	1
13	1-513746	Decal, muffler	2	30	1-403005	Decal, danger (36).....	1
14	1-303293	Decal, 2 min cool.....	1		1-403005	Decal, danger (48 & 52)	2
15	1-413421	Decal, indicator	1		103-0184	Decal kit (Standard)	
16∇	1-303102	Decal, neutral lock.....	2		103-1550	Decal kit (ECS)	
17	1-553049	Decal, mower deck.....	1				

- ∇ Models with standard pistol grip handles only
- Models with ECS handles only
- | Manual start models only
- Y Electric start models only

DECALS

1

DANGER

- Engines produce Carbon Monoxide which is an odorless Deadly Poison
- Do NOT operate in an enclosed area
- Avoid blades unless blades and engine are stopped
- Throw Objects or Blade Contact can cause Serious Injury or Death
- Keep all people out of area when mowing
- Use extreme caution when operating on slopes
- Never Across Slopes - NEVER Up and Down
- Do NOT operate on slopes greater than 20°
- Watch for ditches, holes, rocks, ruts, dips
- Look behind you before heading
- Drive slower on slopes
- Execute turns slowly
- Do NOT mow wet slopes
- Avoid sudden starts

CAUTION

- Read operator's manual before operating
- KEEP ALL SHIELDS AND GUARDS IN PLACE
- KEEP RIDERS OFF
- Before starting engine:
 - Blade clutch must be disengaged
 - Speed control lever must be in neutral lock position using neutral lock levers
- Before leaving operator's position:
 - Lock left and right drive levers in neutral lock position using neutral lock levers
 - Shift speed control lever to neutral
 - Shut off engine and remove key before adjusting, servicing or clearing
 - Do NOT park on slopes unless wheels are chocked or blocked
 - Heating protection recommended

6
5
4
3
2
1
N

109-0172

2

DANGER

- Engines produce Carbon Monoxide which is an odorless Deadly Poison
- Do NOT operate in an enclosed area
- Avoid blades unless blades and engine are stopped
- Throw Objects or Blade Contact can cause Serious Injury or Death
- Keep all people out of area when mowing
- Use extreme caution when operating on slopes
- Never Across Slopes - NEVER Up and Down
- Do NOT operate on slopes greater than 20°
- Watch for ditches, holes, rocks, ruts, dips
- Look behind you before heading
- Drive slower on slopes
- Execute turns slowly
- Do NOT mow wet slopes
- Avoid sudden starts

CAUTION

- Read operator's manual before operating
- KEEP ALL SHIELDS AND GUARDS IN PLACE
- KEEP RIDERS OFF
- Before starting engine:
 - Blade clutch must be disengaged
 - Speed control lever must be in neutral lock position using neutral lock levers
- Before leaving operator's position:
 - Lock left and right drive levers in neutral lock position using neutral lock levers
 - Shift speed control lever to neutral
 - Shut off engine and remove key before adjusting, servicing or clearing
 - Do NOT park on slopes unless wheels are chocked or blocked
 - Heating protection recommended

6
5
4
3
2
1
N

103-0174

3

CAUTION

- LOOSE OR DAMAGED BLADE BOLT MAY ALLOW BLADE TO COME OUT FROM UNDER DECK AT HIGH SPEED.
- REPLACE BLADE BOLT AFTER STRIKING A FOREIGN OBJECT.
- TIGHTEN BLADE BOLT TO 110-120 FT. LBS (150-160 N·M)
- SEE OPERATOR'S MANUAL.

103-1077

7

WARNING

DO NOT OPERATE WITHOUT DISCHARGE DEFLECTOR OR ENTIRE GRASS COLLECTION SYSTEM IN PLACE. DO NOT REMOVE GRASS CATCHER UNTIL BLADES HAVE STOPPED.

4

exmark TURF TRACER

8

exmark TURF TRACER

9

10

exmark

5

CAUTION

- Read operator's manual before operating
- KEEP ALL SHIELDS AND GUARDS IN PLACE
- KEEP RIDERS OFF
- Before starting engine:
 - Blade clutch must be disengaged
 - Speed control lever must be in neutral lock position using neutral lock levers
- Before leaving operator's position:
 - Lock left and right drive levers in neutral lock position using neutral lock levers
 - Shift speed control lever to neutral
 - Shut off engine and remove key before adjusting, servicing or clearing
 - Do NOT park on slopes unless wheels are chocked or blocked
 - Heating protection recommended

6
5
4
3
2
1
N

6

HYDRAULIC OIL - USE ONLY MOBIL 1 SAE 15W-40 SYNTHETIC ENGINE OIL

CAUTION

HOT SURFACE

6

DANGER

- Engines produce Carbon Monoxide which is an odorless Deadly Poison
- Do NOT operate in an enclosed area
- Avoid blades unless blades and engine are stopped
- Throw Objects or Blade Contact can cause Serious Injury or Death
- Keep all people out of area when mowing
- Use extreme caution when operating on slopes
- Never Across Slopes - NEVER Up and Down
- Do NOT operate on slopes greater than 20°
- Watch for ditches, holes, rocks, ruts, dips
- Look behind you before heading
- Drive slower on slopes
- Execute turns slowly
- Do NOT mow wet slopes
- Avoid sudden starts

16

NEUTRAL LOCK

13

CAUTION

MUFFLER AND EXHAUST SYSTEM EXCEEDS 180 F (82 C)

14

CAUTION

ALLOW TIME TO COOL FUEL FILTER BEFORE REWINDING

15

TENSION INDICATOR

CHECK HOURLY FOR THE FIRST 4 HRS. CHECK DAILY THEREAFTER. ADJUST BOLT WITH TENSION INDICATOR AT 4°

11

WARNING

OPEN BELT DRIVE! STOP ENGINE BEFORE REACHING UNDERNEATH.

12

CAUTION

- Read operator's manual before operating
- KEEP ALL SHIELDS AND GUARDS IN PLACE
- KEEP RIDERS OFF
- Before starting engine:
 - Blade clutch must be disengaged
 - Speed control lever must be in neutral lock position using neutral lock levers
- Before leaving operator's position:
 - Lock left and right drive levers in neutral lock position using neutral lock levers
 - Shift speed control lever to neutral
 - Shut off engine and remove key before adjusting, servicing or clearing
 - Do NOT park on slopes unless wheels are chocked or blocked
 - Heating protection recommended

6
5
4
3
2
1
N

22

EGS

ENHANCED CONTROL SYSTEM

17

WARNING

DISENGAGE BLADE CLUTCH, SHUT OFF ENGINE AND REMOVE KEY BEFORE MAKING ADJUSTMENTS, SERVICING OR CLEARING DECK

CUTTING HEIGHT ADJUSTMENT

DECK SUPPORT PIN	CUTTING HEIGHT (INCHES (MM))
○ 1.630	2.0 (51)
○ 2.034	2.4 (61)
○ 2.438	2.8 (71)
○ 2.842	3.2 (81)
○ 3.246	3.6 (91)
○ 3.650	4.0 (102)

ANTI-SCALP ROLLER ADJUSTMENT

FOR NORMAL OPERATING CONDITIONS, PLACE ROLLERS IN POSITION SHOWN FOR 34" (86 mm) GROUND CLEARANCE.

CUTTING HEIGHT (INCHES (MM))	ROLLER POSITION
2.0 (51)	○
2.4 (61)	○
2.8 (71)	○
3.2 (81)	○
3.6 (91)	○

FOR MAXIMUM FLOT, ROLLERS MAY BE POSITIONED LOWER, BUT MUST MAINTAIN A MINIMUM OF 1" (25 mm) GROUND CLEARANCE. NEVER POSITION THE ROLLERS TO SUPPORT MOWER DECK.

18

COMMERCIAL 36

19

COMMERCIAL 48

20

COMMERCIAL 52

21

WARNING

Use Only Exmark Riding Attachments. Use of Other Riding Attachments May Create a Hazardous Condition Resulting in Injury

12

CAUTION

- Read operator's manual before operating
- KEEP ALL SHIELDS AND GUARDS IN PLACE
- KEEP RIDERS OFF
- Before starting engine:
 - Blade clutch must be disengaged
 - Speed control lever must be in neutral lock position using neutral lock levers
- Before leaving operator's position:
 - Lock left and right drive levers in neutral lock position using neutral lock levers
 - Shift speed control lever to neutral
 - Shut off engine and remove key before adjusting, servicing or clearing
 - Do NOT park on slopes unless wheels are chocked or blocked
 - Heating protection recommended

6
5
4
3
2
1
N

22

DANGER

- Engines produce Carbon Monoxide which is an odorless Deadly Poison
- Do NOT operate in an enclosed area
- Avoid blades unless blades and engine are stopped
- Throw Objects or Blade Contact can cause Serious Injury or Death
- Keep all people out of area when mowing
- Use extreme caution when operating on slopes
- Never Across Slopes - NEVER Up and Down
- Do NOT operate on slopes greater than 20°
- Watch for ditches, holes, rocks, ruts, dips
- Look behind you before heading
- Drive slower on slopes
- Execute turns slowly
- Do NOT mow wet slopes
- Avoid sudden starts

23

WARNING

BATTERY CONTAINS BURNING ACID. AVOID CONTACT AND ALWAYS WEAR EYE PROTECTION AND GLOVES WHEN HANDLING. CORRECTLY TIGHTEN AND LOOSEN BATTERY TO PREVENT DAMAGE. DO NOT OVERCHARGE.

ON LINE RECEIVERS CHARGE OR ALARM POINT COMPARTMENT WILL NOT PROPERLY TERMINATE IN CASE OF AN ACCIDENT. PLEASE HOLD WATER AND CALL APPROPRIATE AGENCIES. KEEP OUT OF REACH OF CHILDREN.

24

TRIVANTAGE

25

TRACKING LOAR

26

DRIVE WHEEL RELEASE

DO NOT OVER-TIGHTEN

27

STATIONARY ROLLER

FRONT OF MOWER

28

ITEM NAME

- ROLLER
- BUSHING
- SPRING NUTS
- SHOCK BOLT
- MOUNT BRACKET
- FLAT WASHER
- WASHER LOCK NUT

BOLT AND WASHERS MUST BE INSTALLED AS SHOWN IN DIAGRAM. TORQUE NUT TO 25-45 FT-LBS.

29

STATIONARY ROLLERS

FRONT OF MOWER

41000 40°

41000 50°

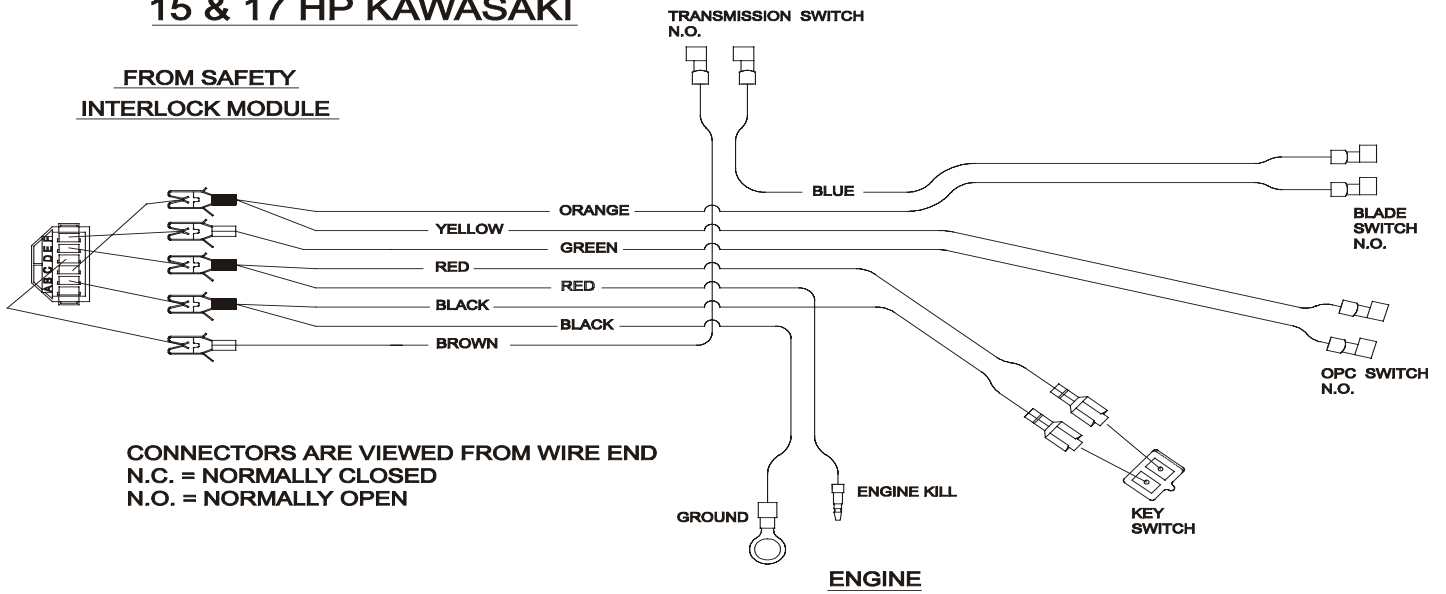
30

DANGER

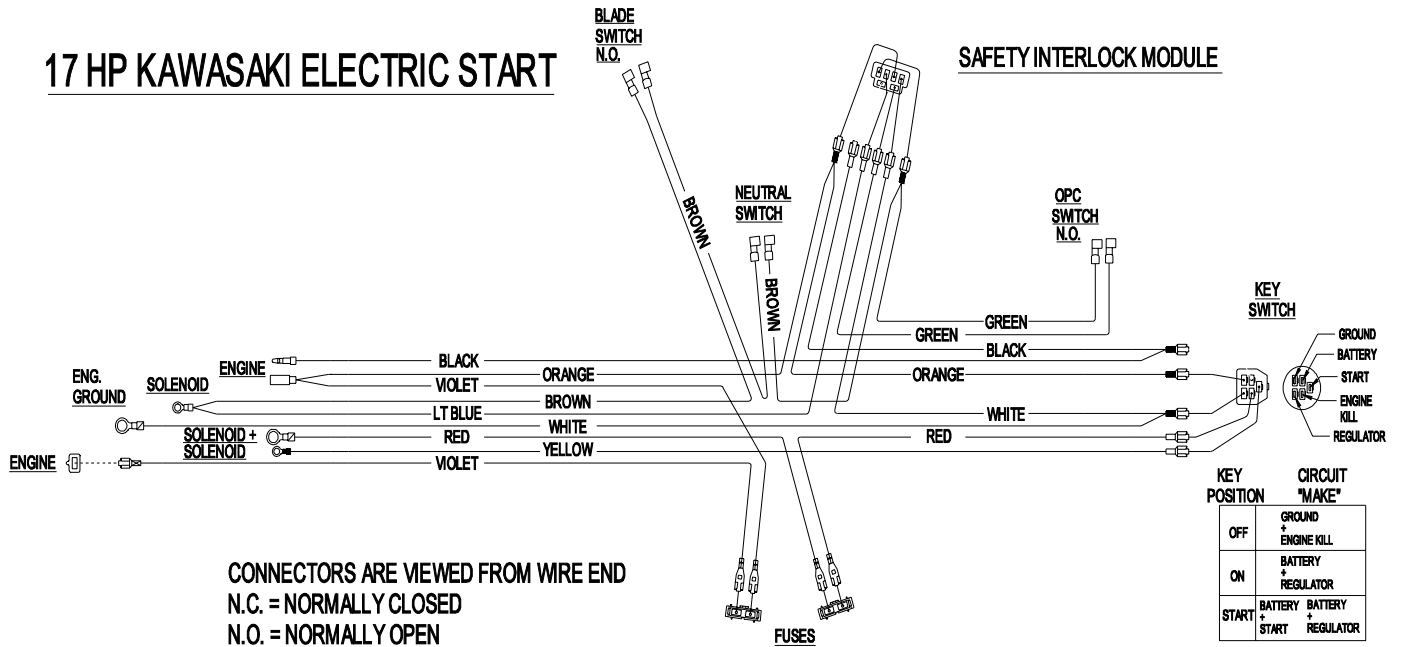
KEEP HANDS and FEET AWAY

WIRING DIAGRAMS

15 & 17 HP KAWASAKI



17 HP KAWASAKI ELECTRIC START



SERVICE RECORD

Date	Description of Work Done	Service Done By

**SEE EXMARK'S COMPLETE
LINE OF PRODUCTS FOR TURF CARE**

LAZER Z[®]

LAZER Z[®] HP

LAZER Z[®] XP

TURF RANGER[®]

TURF TRACER[®]

TURF TRACER[®] HP

VIKING HYDRO

METRO[®]

METRO[®] HP

SELF STEERING SULKY

ULTRA VAC[™]

GRASS CATCHER

MICRO-MULCH[™] ACCESSORY

©1997,1998, 1999, 2000, 2001
EXMARK MFG. CO. INC.
INDUSTRIAL PARK BOX 808
BEATRICE, NE 68310
ALL RIGHTS RESERVED

PART NO. 103-1244
(402) 223-6300
FAX (402) 223-5489
PRINTED IN U.S.A.

