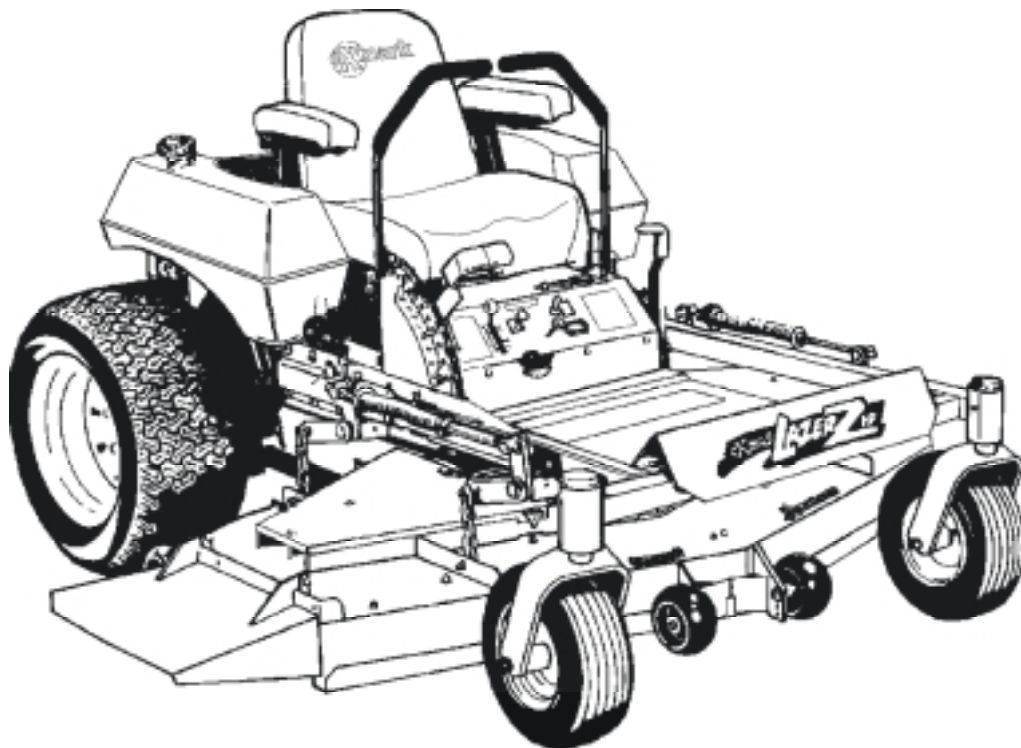


For Serial Nos.  
260,000 & Higher



PART'S MANUAL

# LAZER Z<sup>®</sup> HP

CONGRATULATIONS on the purchase of your new Exmark mower. This product has been carefully designed and manufactured to give you a maximum amount of dependability and years of trouble-free operation.

If additional information is needed, or should you require trained mechanic service, contact your authorized Exmark equipment dealer or distributor.

If you need to order replacement parts from your dealer, always give the model number and serial number of your mower as well as the part number, description and quantity of the part needed.

The Serial No. plate is located on the right side of the console.

For ease of ordering and reference, we suggest that you record the information requested in the following identification table.

Model No. \_\_\_\_\_

Serial No. \_\_\_\_\_

Engine Model No. \_\_\_\_\_

Engine Serial No. \_\_\_\_\_

Date Purchased \_\_\_\_\_

Paste Label From  
Literature Packet Here

## EXMARK PARTS PLUS® PROGRAM

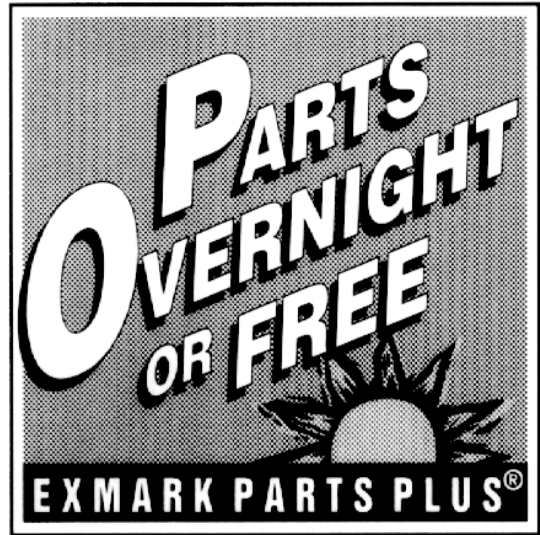
**EFFECTIVE DATE: September 1, 1995**

### Program

If your Exmark dealer does not have the Exmark part in stock, Exmark will get the parts to the dealer the next business day or the part will be FREE\* Guaranteed!!

### **How the Program Works**

1. If dealer does not have part in stock for a "down" unit at the time of request by customer, the dealer contacts his distributor by 1:00 p.m., local time, and requests Exmark Parts Plus® shipment of six (6) line items or less.
2. Distributor ships part(s) to dealer or customer, as requested by dealer, same day, overnight UPS. Distributor bills dealer for part and freight charges where applicable.
3. If distributor does not have the part(s) in stock to satisfy Exmark Parts Plus® order, he contacts Exmark by 3:00 p.m., central time, with an Exmark Parts Plus® order of six (6) line items or less.
4. If order is received by 3:00 p.m. central time, Exmark ships part(s) direct to dealer or customer, as requested by distributor, same day, overnight UPS. Exmark bills the distributor for parts and shipping charges, where applicable.
5. The customer pays for the part and freight if it is shipped under the Exmark Parts Plus® and if it arrives in accordance to the program.
6. Who pays for the part and freight if it fails to arrive overnight in accordance to the program?
  - A. Under any circumstance the customer does not pay.
  - B. If the part does not arrive overnight due to:
    1. The dealer not submitting the Exmark Parts Plus® order to his Exmark distributor by 1:00 p.m., the dealer pays for the part and freight.
    2. The Distributor being unable to ship the part the same day or not submitting the Exmark Parts Plus® order to Exmark by 3:00 p.m., central time, the Distributor pays for the part and freight.
    3. Exmark being unable to ship the part and the Exmark parts order is received by 3:00 p.m., central time, Exmark pays for the part and freight.
    4. If the part does not arrive overnight due to the shipper (UPS), the shipper pays for the freight and Exmark pays for the part.



**The following restrictions apply** -- The Exmark Parts Plus® Program is available only through participating Exmark Dealers and applies only to orders submitted on this program Monday through Thursday. Parts Plus service is available only in the contiguous 48 United States. UPS has initiated a Saturday delivery program to many areas of the continental United States and can be requested for an overnight shipment on Friday to be delivered Saturday. The next day air charge, plus the Saturday delivery fee will be the responsibility of the purchaser. Exmark Mfg. will assume no responsibility for Saturday delivery shipments. To qualify, all Exmark Parts Plus® orders must be received by Exmark by 3:00 p.m., central time. Orders must be six (6) line items or less. Exclusions from the Exmark Parts Plus® Program are: Any wholegood or accessory in its entirety, engines and engine replacement parts, 5-speed Peerless transmissions and 5-speed transaxles, hydraulic or hydrostatic wheel motors, cutter decks and engine decks or any item exceeding United Parcel Service size and weight restrictions.

Due to UPS restrictions, aerosol spray paint is considered a hazardous material and cannot be shipped via UPS next day or Second Day Air.

Exmark Manufacturing stocks a limited supply of parts for transaxles, pumps and wheel motors. These parts can be ordered for Next Day Air shipment but will not be guaranteed per the Parts Plus Program.



**READ OPERATOR'S MANUAL BEFORE  
OPERATING OR SERVICING EXMARK EQUIPMENT.**

**TABLE OF CONTENTS**

<b><u>Description</u></b>	<b><u>Page</u></b>
44" and 48" Deck Group .....	3-4
52" Deck Group .....	5-6
Decal Group.....	16
Electrical Diagram(s).....	19-20
Electrical Group .....	17-18
Engine Group.....	15
Front Frame Group .....	7-8
Fuel Group.....	10
Hydraulic Group .....	13-14
Main Frame Group.....	9
Motion Control Levers .....	12
Park Brake Group .....	11

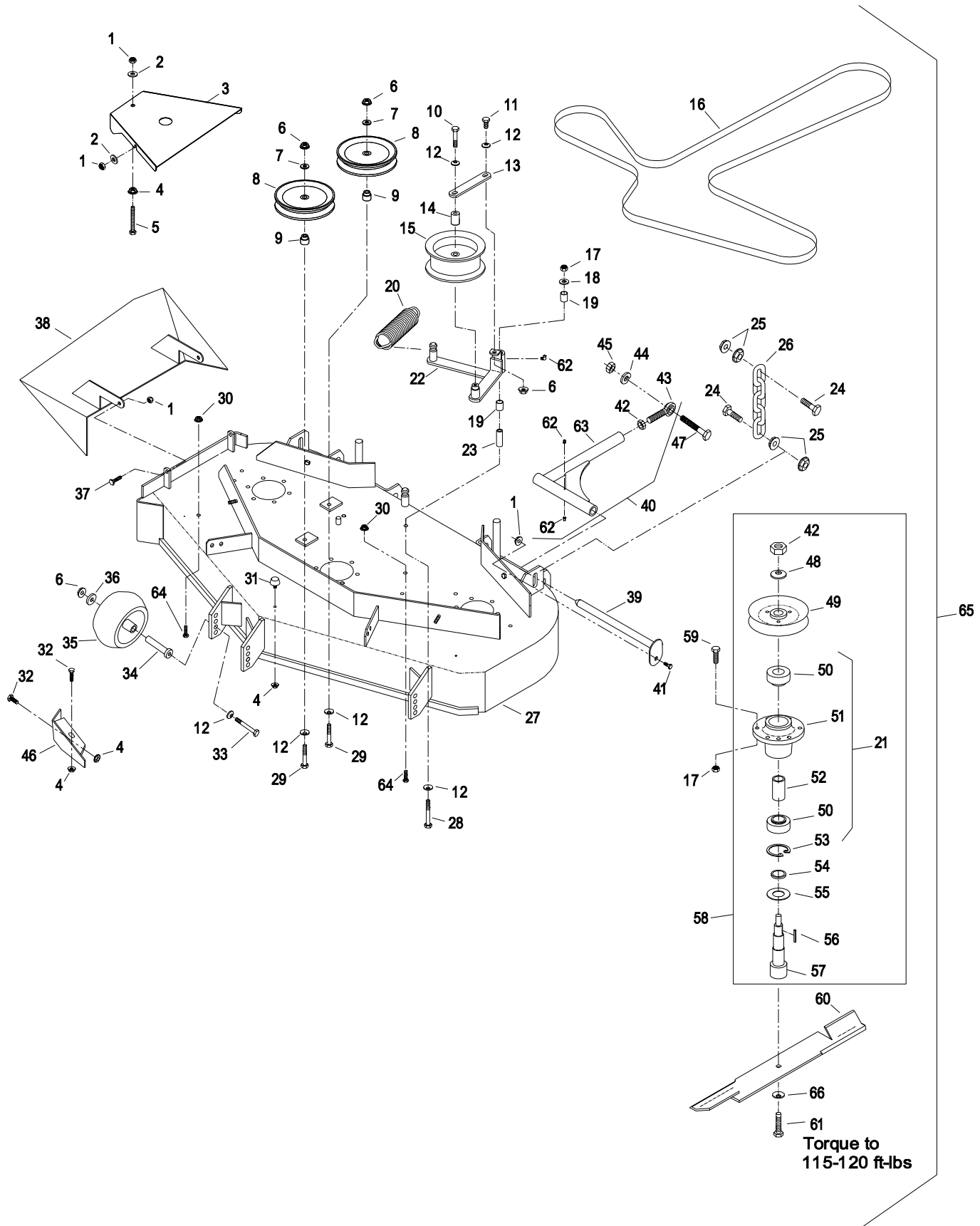
44" and 48" DECK GROUP

Ref. No.	Part No.	Description	Qty. Req'd.	Ref. No.	Part No.	Description	Qty. Req'd.
1	3296-29	Nut, nyloc 5/16-18 .....	10	38	1-402106-01	Chute wldmt, discharge (44")(48")	1
2	3256-3	Washer, 5/16 std flat .....	6	39	1-632199-01	Pin wldmt, deck strut .....	2
3	1-653482-01	Shield, belt .....	2	40	103-1081	Strut wldmt, assembly .....	2
4	32128-20	Nut, whizlock 5/16-18 .....	5	41	322-3	Screw, 5/16-18 x 3/4 .....	2
5	1-800017	Bolt, 5/16 x 3 1/4 tap .....	2	42	3219-6	Nut, 5/8-18 .....	5
6	3290-357	Nut, whizlock 3/8-16 .....	6	43	1-633029	Spherical rod end .....	2
7	3256-24	Washer, 3/8 SAE flat .....	2	44	3253-8	Washer, lock 5/8 .....	2
8	1-613098	Pulley, Idler .....	2	45	3217-11	Nut, 5/8-11 .....	2
9	1-413113	Bushing, Idler .....	2	46	1-522480-01	Baffle, discharge .....	1
10	323-11	Screw, 3/8-19 x 2 1/4 .....	1	47	1-800344	Screw, 5/8-11 x 6 .....	2
11	323-6	Screw, 3/8-16 x 1 .....	1	48	1-513208	Washer, spring disc. ....	3
12	98-5975	Washer, disc spring 3/8 .....	8	49*	1-413424	Sheave, w/hub 6 5/16" O.D.(48")	3
13	1-653189	Plate, Belt guide .....	1		1-653099	Sheave, w/hub 6" O.D. (44")	3
14	1-653190	Spacer .....	1	50*	1-513016	Bearing .....	6
15	1-413099	Pulley, Idler .....	1	51	1-323532	Housing, spindle .....	3
16	1-413308	Belt, deck drive (48") .....	1	52	1-323528	Spacer, bearing .....	3
	1-413093	Belt, deck drive (44") .....	1	53	1-808502	Ring, snap .....	3
17	3296-39	Nut, nyloc 3/8-16 .....	19	54	1-323533	Spacer .....	3
18	3256-4	Washer, 3/8 std flat .....	1	55	1-633573	Guard, bearing-bottom .....	3
19	1-513034	Bearing, pivot .....	2	56	1-807268	Key, machine .....	3
20	1-633151	Spring, extension .....	1	57	103-0957	Shaft, spindle .....	3
21	1-634619	Housing, w/brg,spacer,&ring...3		58	103-1105	Housing,cutter assy(complete)(48")	3
22	1-652192-01	Idler arm wldmt .....	1		103-1183	Housing,cutter assy(complete)(44")	3
	1-654193	Idler arm wldmt w/bushings..1		59	323-7	Screw, 3/8-16 x 1 1/4 .....	18
23	1-603384	Bushing, idler pivot .....	1	60	1-323515	Blade, 16.25 notched air foil (48")...	3
24	1-800811	Screw, 7/16-14 x 1 1/2 .....	8		1-413438	Blade, 16.25 solid air foil (48") .....	3
25	32128-37	Nut, whizlock 7/16-14 .....	16	●	1-403148	Blade, 16.25 mulching (48") .....	6
26	1-633447	Chain, deck lift .....	4		1-403149	Blade, 16.25 low lift (optional)(48") ...	3
27	1-651312	Deck wldmt 1-652311-01 (48")			103-1577	Blade, 16.25 bahia (48") .....	3
		w/decals & discharge baffle .1			1-653101	Blade, 15.25 notched air foil (44") ...	3
	1-654175	Deck wldmt 1-652124-01 (44")		●	1-653178	Blade, 15.25 solid air foil (44") .....	3
		w/decals & discharge baffle .1			1-653102	Blade, 15.25 mulching (44") .....	3
28	3253-7	Screw, 3/8-16 x 3 1/2 .....	1		1-653179	Blade, 15.25 low lift (optional)(44") ...	3
29	323-13	Screw, 3/8-16 x 2 3/4 .....	2		103-1579	Blade, 15.25 bahia (48") .....	3
30	32128-33	Nut, whizlock 1/4-20 (48") .....	4	61	103-0862	Screw, 5/8-18 x 2 3/4 Gr 8 .....	3
	32128-33	Nut, whizlock 1/4-20 (44") .....	1	62	302-19	Zerk, 1/4-18 straight .....	5
31	1-543963	Bumper, rubber .....	1	63	103-1069-01	Strut wldmt .....	2
32	322-2	Screw, 5/16-18 x 5/8 .....	2	64	321-1	Screw, 1/4-20 x 3/8 (48") .....	4
33	98-5961	Screw, 3/8-16 x 4 gr 8 .....	3		321-1	Screw, 1/4-20 x 3/8 (44") .....	1
34	1-603602	Bushing, roller .....	3	65	1-654550	Deck complete service (44") .....	1
35	1-603299	Roller, anti-scalp .....	3		1-654551	Deck complete service (48") .....	1
36	1-373034	Washer, swivel .....	3	66	103-0865	Washer,spring disc .....	3
37	322-5	Screw, 5/16-18 x 1 .....	2				

● Requires installation of Micro-Mulch accessory for proper mulching. Mulch kit P/N's MK483(48") & MK443(44")  
Exmark red touch up spray paint – P/N 1-850337

\* Use antiseize on bore of sheaves & bearings.

### 44" and 48" DECK GROUP



52" DECK GROUP

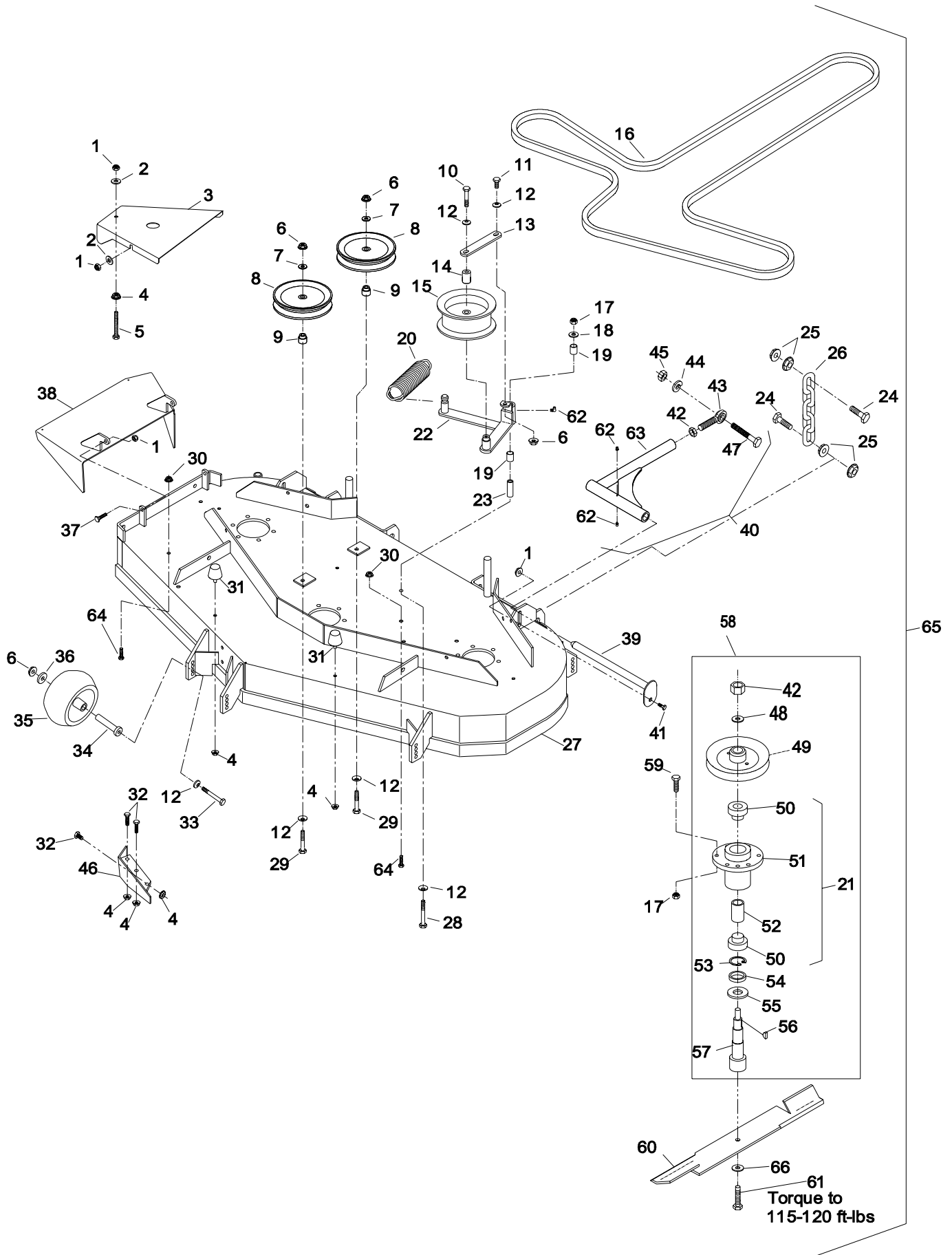
Ref. No.	Part No.	Description	Qty. Req'd.	Ref. No.	Part No.	Description	Qty. Req'd.
1	3296-29	Nut, nyloc 5/16-18 .....	10	35	1-603299	Roller, anti-scalp .....	5
2	3256-3	Washer, 5/16 std flat .....	6	36	1-373034	Washer, swivel.....	5
3	1-653482-01	Shield, belt.....	2	37	322-5	Screw, 5/16-18 x 1 .....	2
4	32128-20	Nut, whizlock 5/16-18 .....	7	38	1-652375-01	Chute wldmt, dishcharge ...	1
5	1-800017	Bolt, 5/16 x 3 ¼ tap .....	2	39	1-632199-01	Pin wldmt, deck strut.....	2
6	3290-357	Nut, whizlock 3/8-16 .....	8	40	103-1081	Strut wldmt, assembly.....	2
7	3256-24	Washer, 3/8 SAE flat.....	2	41	322-3	Screw, 5/16-18 x 3/4 .....	2
8	1-613098	Pulley, Idler.....	2	42	3219-6	Nut, 5/8-18 .....	5
9	1-413113	Bushing, Idler .....	2	43	1-633029	Spherical rod end.....	2
10	323-11	Screw, 3/8-19 x 2 ¼ .....	1	44	3253-8	Washer, lock 5/8.....	2
11	323-6	Screw, 3/8-16 x 1 .....	1	45	3217-11	Nut, 5/8-11 .....	2
12	98-5975	Washer, disc spring 3/8.....	10	46	1-602913-01	Baffle, discharge .....	1
13	1-653189	Plate, Belt guide .....	1	47	1-800344	Screw, 5/8-11 x 6 .....	2
14	1-653190	Spacer .....	1	48	1-513208	Washer, spring disc. ....	3
15	1-413099	Pulley, Idler.....	1	49*	1-653386	Sheave, w/hub 6.71" O.D .....	3
16	1-653368	Belt, deck drive .....	1	50*	1-513016	Bearing.....	6
17	3296-39	Nut, nyloc 3/8-16 .....	19	51	1-323532	Housing, spindle.....	3
18	3256-4	Washer, 3/8 std flat .....	1	52	1-323528	Spacer, bearing.....	3
19	1-513034	Pivot, Bearing .....	2	53	1-808502	Ring, snap .....	3
20	1-633151	Spring, extension.....	1	54	1-323533	Spacer.....	3
21	1-634619	Housing,w/brg,sprc,&ring ..	3	55	1-633573	Guard, bearing-bottom .....	3
22	1-652192-01	Idler arm wldmt.....	1	56	1-807268	Key, machine .....	3
	1-654193	Idler arm wldmt w/bushings	1	57	103-0957	Shaft, spindle .....	3
23	1-603384	Bushing, idler pivot .....	1	58	103-1184	Housing,cutter assy(complete)	3
24	1-800811	Screw, 7/16-14 x 1 1/2 .....	8	59	323-7	Screw, 3/8-16 x 1 1/4 .....	18
25	32128-37	Nut, whizlock 7/16-14 .....	16	60	1-633482	Blade, 18.0 notched air foil ...	3
26	1-633447	Chain, deck lift.....	4		1-613251	Blade, 18.0 solid air foil .....	3
27	1-654478	Deck wldmt 1-652418-01 w/ decals & discharge baffle ..	1		• 1-633484	Blade, 18.0 mulching.....	3
					1-633485	Blade, 18.0 low lift(optional)..	3
28	1-800805	Screw, 3/8-16 x 3 1/2 .....	1		103-1578	Blade, 18.0 bahia .....	3
29	323-13	Screw, 3/8-16 x 2 3/4 .....	2	61	103-0862	Screw, 5/8-18 x 2 ¾ gr 8....	3
30	32128-33	Nut, whizlock ¼-20 .....	4	62	302-19	Zerk, ¼-18 straight.....	5
31	1-543963	Bumper, rubber .....	2	63	103-1069-01	Strut wldmt.....	2
32	322-2	Screw, 5/16-18 x 5/8 .....	3	64	321-1	Screw, ¼-20 x 3/8 .....	4
33	98-5961	Screw, 3/8-16 x 4 gr 8 .....	5	65	1-654552	Deck complete service.....	1
34	1-603602	Bushing, roller .....	5	66	103-0865	Washer,spring disc .....	3

● Requires installation of Micro-Mulch accessory for proper mulching. Mulch kit P/N MK523

Exmark red touch up spray paint – P/N 1-850337

\* Use antiseize on bore of sheaves & bearings.

### 52" DECK GROUP



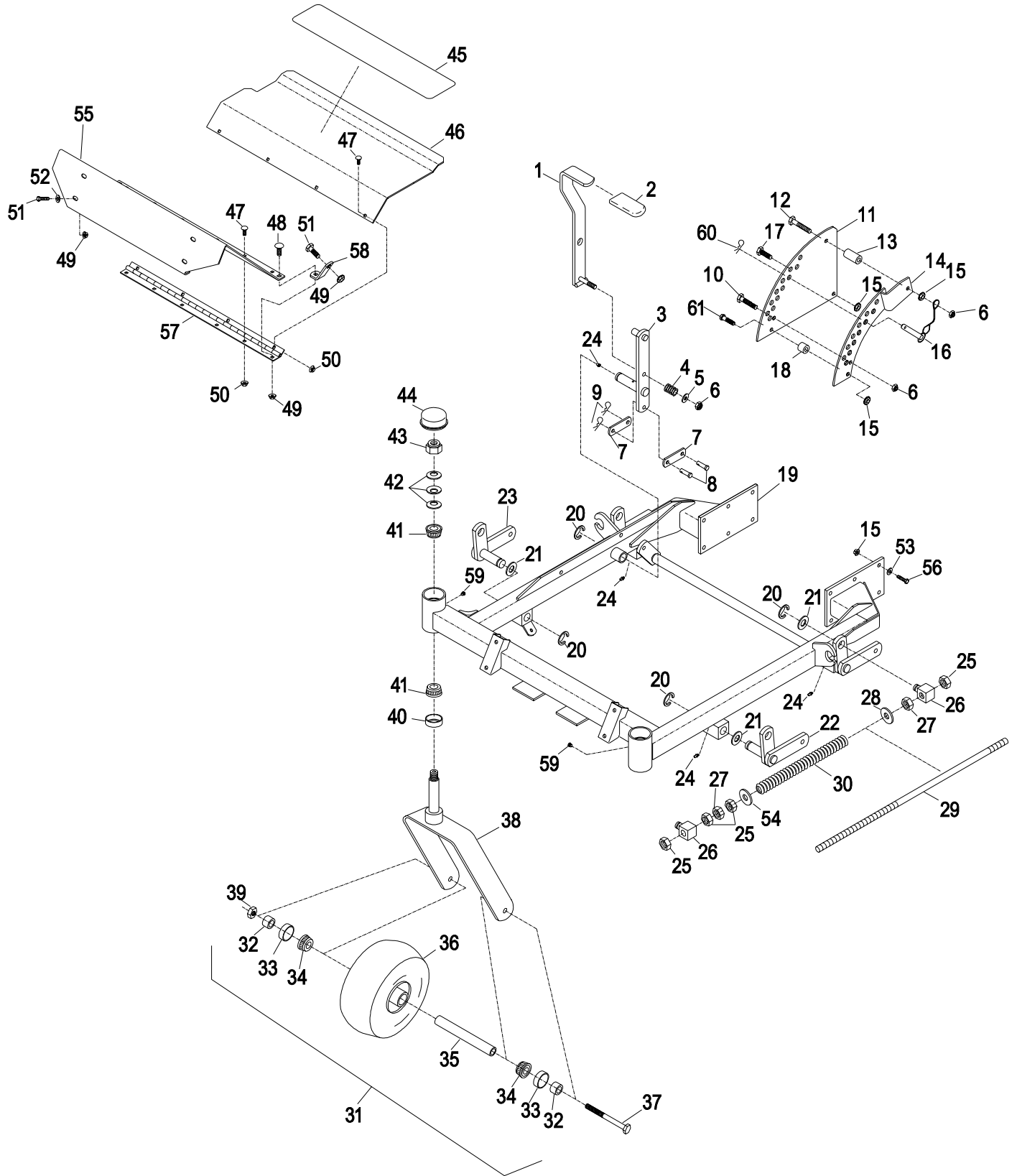
FRONT FRAME GROUP

Ref. No.	Part No.	Description	Qty. Req'd.	Ref. No.	Part No.	Description	Qty. Req'd.
1	1-652023-03	Lever wldmt, lift .....	1	33	103-0063	Seal, bearing.....	4
2	1-633295	Grip, lift lever .....	1	34	1-633585	Bearing, cone.....	4
3	1-652027-03	Arm wldmt, deck lift.....	1		1-633584	Bearing, cup.....	2
4	1-633325	Spring, compression.....	1	35	1-633579	Spacer, front caster .....	2
5	3256-24	Washer, 3/8 SAE .....	1	36	103-0064	Wheel & tire assy.....	2
6	3296-39	Nut, nyloc 3/8-16.....	3		1-633002	Tire, 13x5.0-6 4 ply .....	2
7	1-633068	Arm, deck lift.....	2		103-0070	Wheel.....	2
8	1-808284	Clevis, pin 3/8 x 1 .....	2	37	325-36	Screw, 1/2-13 x 7 1/2.....	2
9	1-806003	Hairpin, cotter .....	2	38	1-632511-01	Caster wldmt .....	2
10	323-9	Screw, 3/8-16 x 1 3/4 .....	1	39	3296-45	Nut, nyloc 1/2-13 (light thin) .....	2
11	1-653230-01	Plate, deck lift.....	1	40	1-543511	Seal, grease.....	2
12	323-13	Screw, 3/8-16 x 2 3/4.....	1	41	1-543509	Bearing cone, tapered roller....	4
13	1-633082	Bushing, lift lever .....	1		1-543508	Bearing cup, tapered roller .....	4
14	1-652235-01	Plate wldmt, deck lift .....	1	42	1-633508	Washer, spring disk .....	6
15	3290-357	Nut, whizlock 3/8-16 .....	15	43	3296-51	Nut, nyloc 3/4-10.....	2
16	1-633097	Hitch pin w/lanyard .....	1	44	1-543513	Cap, grease .....	2
17	323-6	Screw, 3/8-16 x 1 .....	1	45	1-633553	Pad, anti-skid .....	2
18	1-413088	Bushing, lift lever .....	1	46	99-3869-01	Floorpan.....	1
19	103-1250	Frame wldmt, front 44"/48" ...	1	47	3229-10	Bolt, carriage 1/4-20 x 1/2.....	10
	103-1251	Frame wldmt, front 52" .....	1	48	3230-1	Bolt, carriage 5/16-18 x 3/4.....	2
20	32151-103	E-ring.....	7	49	32128-20	Nut, whizlock 5/16-18.....	8
21	3256-29	Washer, 7/8 SAE flat .....	6	50	32128-33	Nut, whizlock 1/4-20.....	10
22	1-652013-01	Shaft wldmt, deck lift LH .....	1	51	322-3	Screw, 5/16-18 x 3/4 (44"& 48") ...	6
23	1-652014-01	Shaft wldmt, deck lift RH.....	1	52	3256-3	Washer, 5/16 SAE flat(44"&48")	4
24	302-19	Zerk, 1/4-28 straight .....	5	53	98-5975	Washer, 3/8 disc spring .....	12
25	3217-11	Nut, 5/8-11 regular.....	8	54	3256-27	Washer, 5/8 SAE flat .....	2
26	1-633441	Swivel, deck mount.....	4	55	99-3868-01	Floorpan, front.....	1
27	3118-6	Jam nut, 5/8-11.....	4	56	323-7	Screw, 3/8-16 x 1 1/4 .....	12
28	1-805517	Washer, 5/8 std flat .....	2	57	1-653049	Hinge, floorpan (piano) .....	1
29	1-653011	Rod, deck lift.....	2	58	99-3870	Bracket, floorpan.....	2
30	1-653009	Spring, deck support.....	2	59	1-811010	Plug.....	2
31	103-0068	Caster wheel assy .....	2	60	1-806005	Hairpin, cotter (service only) ...	1
32	1-633581	Spacer, bearing .....	4	61	323-8	Screw, cap HH3/8-16 x 1 1/2..	1

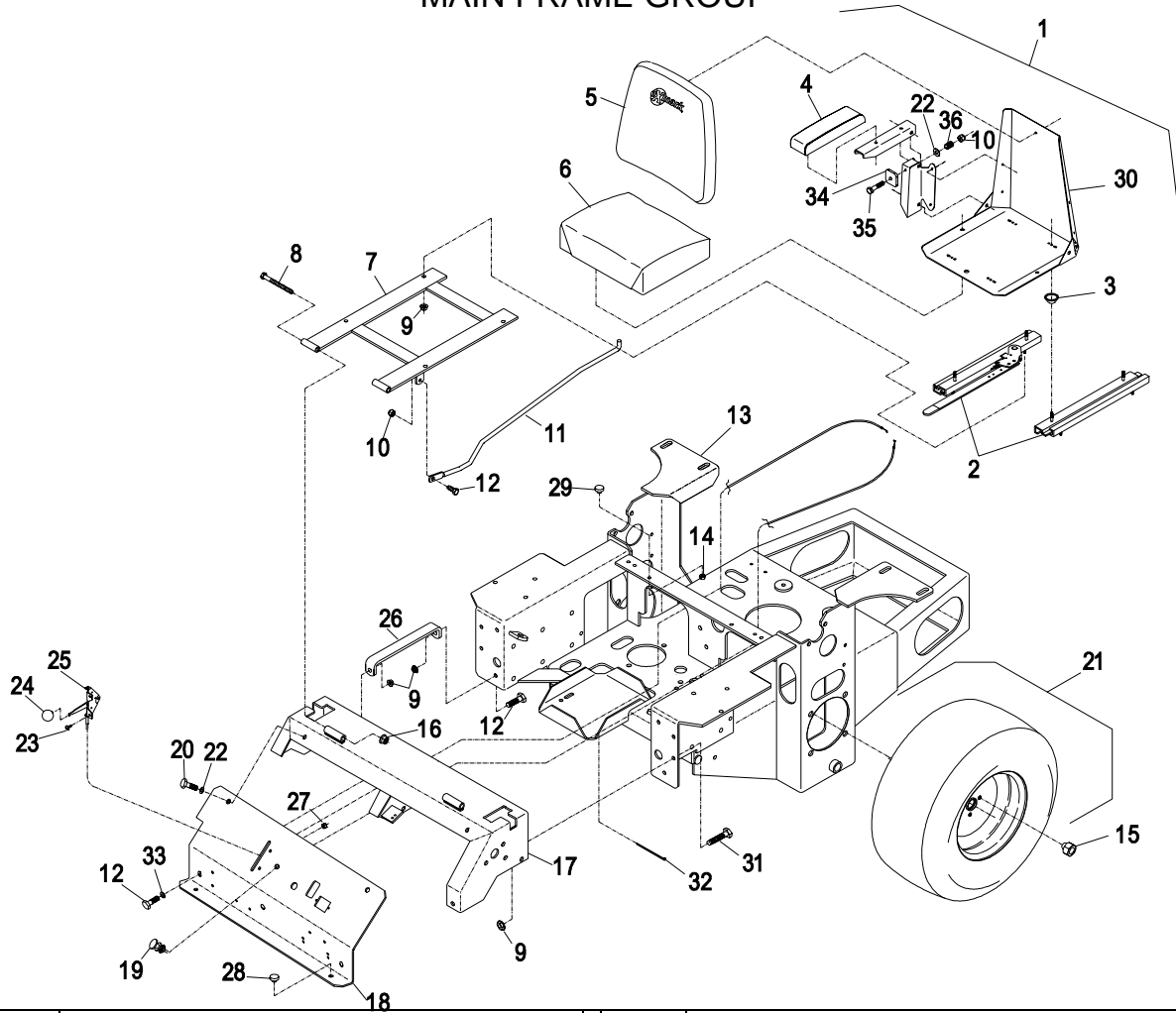
Exmark red touch up spray paint – P/N 1-850337



### FRONT FRAME GROUP



MAIN FRAME GROUP

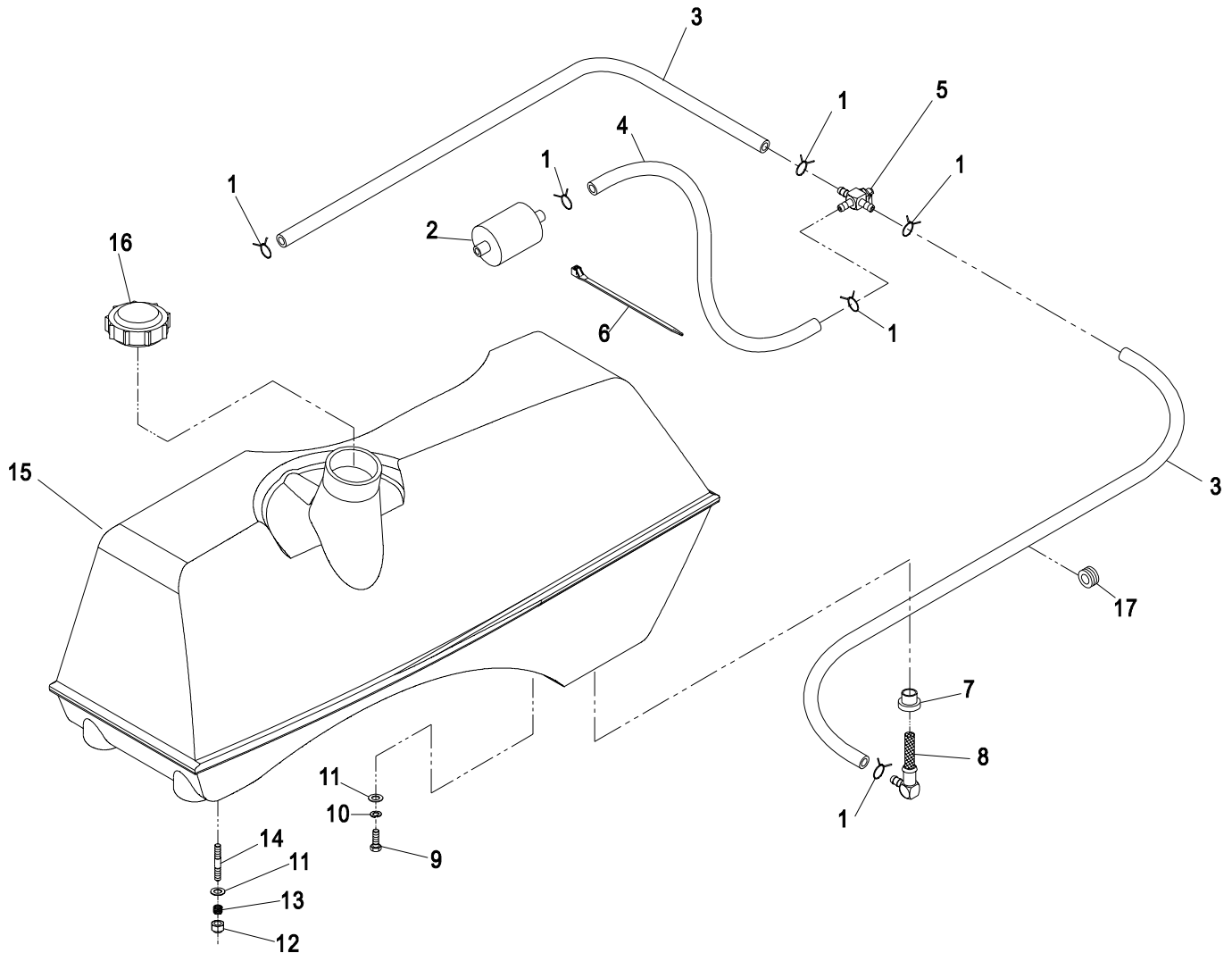


Ref. No.	Part No.	Description	Qty. Req'd.	Ref. No.	Part No.	Description	Qty. Req'd.
1	103-0287	Seat,complete w/armrests	1	20	322-3	Screw, 5/16 -18 x 3/4	3
2	1-643255	Track, seat (4" adjust.)	1	21	1-653010	Wheel/tire assy (44"deck)	2
3	1-543401	Spacer, seat track	2		1-653159	Wheel/tire assy(48"&52"deck)	.2
4	103-0292	Cushion, armrest (RH)	1		1-653158	Wheel (44" deck)	2
	* 103-0291	Cushion, armrest (LH)	1		1-653161	Wheel (48" & 52" deck)	2
5	103-0289	Cushion, backrest	1		1-653160	Tire, 23 x 9.5-12 4 ply	2
6	103-0290	Cushion, seat	1	22	3256-23	Washer, flat 5/16 SAE	4
7	1-632187-03	Frame, seat mount	1	23	1-807513	Bolt, carriage #10-24x1/2	2
8	323-39	Screw, 3/8-16 x 5	2	24	1-513592	Ball, (red) throttle cable	1
9	32128-20	Nut, whizlock 5/16-18	12	25	1-633696	Cable, throttle	1
10	3296-29	Nut, nyloc 5/16-18	3	26	1-653089-03	Bracket, instrument panel	1
11	1-653495	Rod, seat hold up	1	27	3296-2	Nut, nyloc #10-24	2
12	322-5	Screw, 5/16-18 x 1	3	28	1-513658	Bumper	2
13	103-0712-03	Frame, engine deck	1	29	1-523420	Bumper, rubber	2
14	3296-42	Nut, nyloc 1/4-20	2	30	1-633859	Seat frame	1
15	242-50	Nut, wheel 1/2-20	8	31	322-2	Screw, 5/8-18 x 5/8	6
16	3296-39	Nut, nyloc 3/8-16	2	32	1-303335	Tie, plastic	1
17	1-652242-03	Console wldmt, front	1	33	3256-3	Washer, flat std 5/16	2
18	103-0724	Panel,instrument w/decals (103-1194-03)	1	34	103-0284	Tab	2
19	1-603336	Cable, choke	1	35	322-7	Screw,HHC 5/16-18x1 1/2	2
				36	1-633349	Spring	2

\*Not Illustrated

Exmark black touch up spray paint – gloss black

### FUEL GROUP



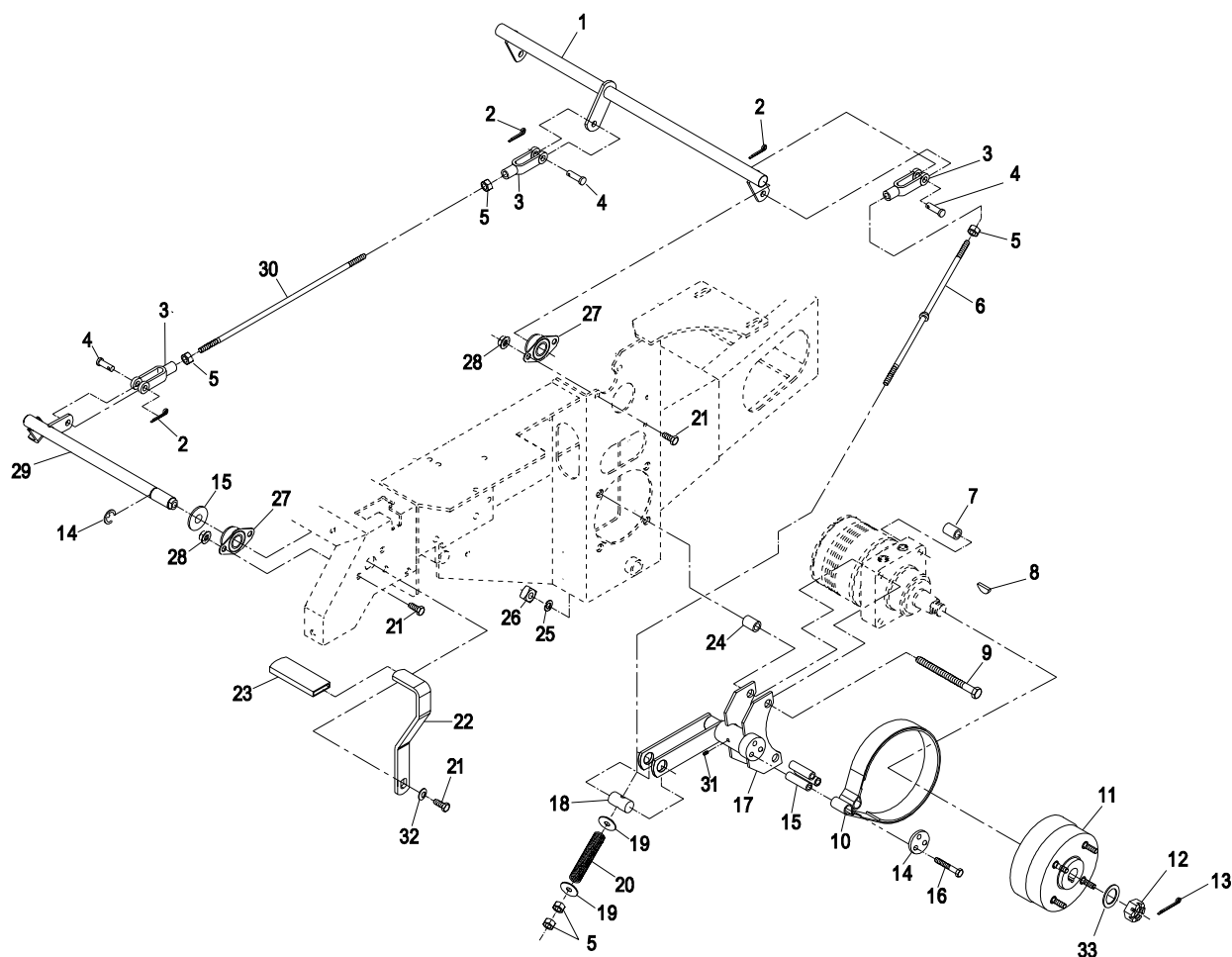
Ref. No.	Part No.	Description	Qty. Req'd.	Ref. No.	Part No.	Description	Qty. Req'd.
1	1-303077	Clamp, fuel line.....	6	10	1-805005	Washer, lock 1/4.....	4
2	◆ Kohler	Part No. 2405002 Fuel filter .....	1	11	3256-23	Washer, 5/16 SAE .....	8
	Kawasaki	Part No. 49019-7001 Fuel filter.....	1	12	3296-47	Nut, nyloc 5/16-18.....	4
3	1-543526	Fuel line .....	2	13	1-633349	Spring, fuel tank.....	4
4	103-0216	Fuel line .....	1	14	1-633023	Stud, fuel tank.....	4
5	1-633347	Valve, fuel.....	1	15	* 1-653568	Tank, fuel (LH).....	1
6	1-303335	Plastic tie (large) .....	1		1-653569	Tank, fuel (RH).....	1
7	1-513645	Bushing.....	2	16	1-513508	Cap, fuel tank.....	2
8	1-543277	Elbow, strainer .....	2	17	1-543296	Grommet, fuel line .....	2
9	322-3	Screw, 5/16-18 x 3/4.....	4				

\* Not Illustrated

Use Pro-Lock, Nut Type (P/N 840022, .5ml tube) on stud threads going into tank.

◆Refer to Engine Owner's Manual (Fuel filter **Must** be 15 Micron or smaller).

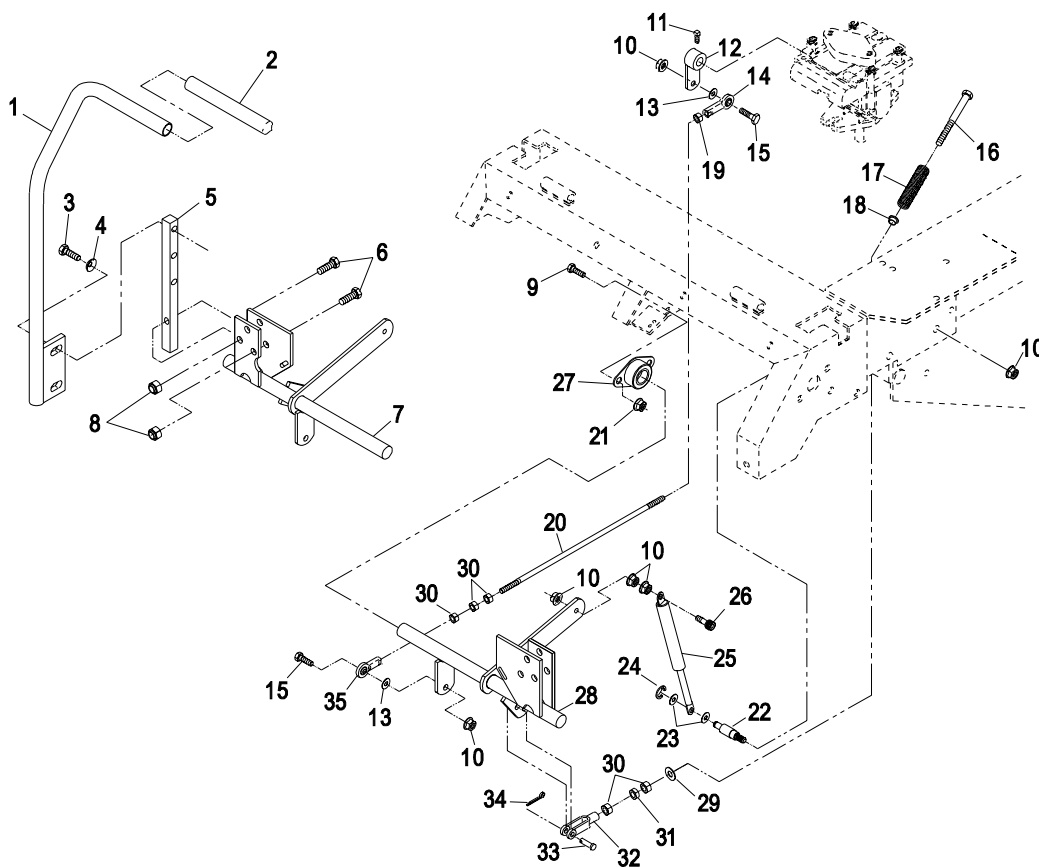
### PARK BRAKE GROUP



Ref. No.	Part No.	Description	Qty. Req'd.	Ref. No.	Part No.	Description	Qty. Req'd.
1	1-652073-03	Crank wldmt, brake	1	17	103-0352-03	Bracket, brake 44"/48"	2
2	3272-10	Pin, cotter 1/8 x 3/4	4		* 103-0353-03	Bracket, brake 52"	2
3	1-633131	Yoke	4	18	1-633144	Pin, trunion	2
4	1-808285	Pin, clevis 3/8 x 1 1/8	4	19	3256-4	Washer, 3/8 std	4
5	3219-3	Nut, 3/8-24	8	20	1-633454	Spring, brake rod	2
6	103-0356	Rod, brake	2	21	323-4	Screw, 3/8-16 x 3/4	9
7	1-653068	Spacer (long) 44"/48" deck	4	22	1-653074-03	Lever, brake	1
	* 1-653380	Spacer (long) 52" deck	4	23	1-633268	Grip, brake lever	1
8	3257-42	Woodruff key, 5/16 x 1	1	24	1-653069	Spacer(short) 44"/48" deck	4
9	325-13	Screw, 1/2-13x3.25 G5(44"&48")	8		* 1-653381	Spacer(short) 52" deck	4
	1-800348	Screw, 1/2-13x4.25 G5 (52")	8	25	3253-7	Washer, lock 1/2	8
10	103-0355	Band, brake	2	26	103-0131	Nut, sq. reg. 1/2-13UNC-2B	8
11	103-0590	Hub & drum w/studs, plated	2	27	1-633102	Bearing, flange	4
	1-633926	Stud, wheel	8	28	3290-357	Nut, whizlock 3/8-16	8
12	1-809036	Nut, slotted 1.00-20	2	29	1-652085	Shaft wldmt, brake	1
13	1-806800	Pin, cotter 9/64 x 1 1/2	2	30	1-653061	Linkage, brake handle	1
14	103-0374	Retainer, brake band	2	31	1481	Zerk, grease	2
15	103-0384	Spacer	6	32	98-5975	Washer, disc spring 3/8	1
16	322-9	Screw, 5/16-18 x 1.75	6	33	1-523157	Washer, spacer	2

\*Not Illustrated  
Exmark black touch up spray paint – gloss black

### MOTION CONTROL LEVERS



Ref. No.	Part No.	Description	Qty. Req'd.	Ref. No.	Part No.	Description	Qty. Req'd.
1	103-0632	Handle w/grip (RH) .....	1	15	322-6	Screw, 5/16-18 x 1 1/4.....	4
●	1-634259	Handle w/grip (RH) .....	1	16	1-603737	Bolt, (neutral return) .....	2
	103-0410-03	Handle, motion cntrl (RH) .....	1	17	1-603807	Spring, (neutral return) .....	2
●	1-632193-03	Handle, motion cntrl (RH) .....	1	18	1-603735	Bushing, nylon (reverse ind.) .....	2
*	103-0631	Handle w/grip (LH) .....	1	19	1-804524	Nut, 5/16-24 (LH) .....	2
●	1-634258	Handle w/grip (LH) .....	1	20	1-653046	Link, pump control.....	2
	103-0409-03	Handle, motion cntrl (LH) .....	1	21	3290-357	Nut, whizlock 3/8-16.....	8
●	1-632191-03	Handle, motion cntrl (LH) .....	1	22	1-653316	Pin, Damper Anchor.....	2
2	1-633257	Grip, motion cntrl handle..	2	23	3256-23	Washer, 5/16 SAE .....	4
3	323-6	Screw, 3/8-16 x 1 .....	4	24	32120-35	E-ring.....	2
4	98-5975	Washer, disc spring 3/8...4	4	25	1-523027	Damper .....	2
5	103-0407	Arm, control shaft.....	2	26	1-403180	Screw, 5/16-18x1 1/4 special	4
●	1-633177	Arm, control shaft.....	2	27	1-633102	Bearing, flanged.....	4
6	323-9	Screw, 3/8-16 x 1 3/4 .....	6	28	1-652467	Bracket, motion control(LH)..	1
7	1-652466	Bracket, motion cntrl (RH) .....	1	29	3256-2	Washer, 1/4 .....	2
8	3296-39	Nut, nyloc 3/8-16 .....	6	30	3219-2	Nut, 5/16-24 .....	10
9	323-4	Screw, 3/8-16 x 3/4 .....	8	31	3220-2	Nut, jam 5/16-24 .....	2
10	32128-20	Nut, whizlock 5/16-18.....	12	32	1-303105	Yoke .....	2
11	◆ 1-803022	Setscrew, 5/16 x 5/8.....	2	33	1-808280	Pin, clevis 5/16 x 1 .....	2
12	1-653092	Arm, pump control .....	2	34	3272-5	Pin, cotter 3/32 x 1/2 .....	2
13	3256-3	Washer, 5/16 std.....	4	35	1-543017	Ball joint (RH) .....	2
14	1-633152	Ball joint (LH) .....	2				

\*Not Illustrated

Exmark black touch up spray paint – gloss black

◆ Use Pro-Lock, Nut Type (P/N 1-840022, .5ml tube) on setscrews

● Components required for units with older motion control assemblies (Identified by 2 holes in upper portion of motion control shaft - item 5)

● Components required for units with newer motion control assemblies (Identified by 3 holes in upper portion of motion control shaft - item 5)

HYDRAULIC GROUP

Ref. No.	Part No.	Description	Qty. Req'd.	Ref. No.	Part No.	Description	Qty. Req'd.
1	1-513167	Cap, hydraulic reservoir.....	1	27	1-513840	Elbow, 90° .....	2
2	1-523103	Gasket, tank cap .....	1		1-603921	O-ring .....	1
3	321-15	Screw, ¼-20 x 2 1/2 .....	2	28	1-603841	Pump, hydro .....	2
4	312128-33	Nut, whizlock ¼-20 .....	2	29	1-413273	Hose, lo pressure .....	2
5	* 1-512166-03	Reservoir, hydraulic fluid .....	1	30	1-653187	Hose, RH rear 44" & 48" .....	1
6	1-603987	Elbow, 90° .....	1		1-653437	Hose, RH rear 52" .....	1
7	1-654320	Hose, supply.....	1	31	3290-357	Nut, whizlock 3/8-16 .....	7
8	1-654509	Hose, charge line.....	1	32	323-7	Screw, 3/8-16 x 1 1/4 .....	4
9	322-5	Screw, 5/16-18 x 1.....	2	33	1-513034	Bearing .....	2
10	1-513510	Connector, male .....	1	34	1-652142-03	Arm wldmnt, idler .....	1
11	* 1-603720	Head, filter .....	1	35	302-40	Zerk, 90° ¼-28 .....	1
12	32128-20	Nut, whizlock 5/16-18 .....	2	36	1-603044	Bushing, idler pivot. ....	1
13	1-513211	Element, oil filter .....	1	37	3256-4	Washer, 3/8 std flat .....	1
	∇1-523541	Element, oil filter (winter) .....	1	38	323-13	Screw, 3/8-16 x 2 3/4 .....	1
14	1-653186	Hose, RH front 44" & 48" .....	1	39	323-9	Screw, 3/8-16 x 1 3/4 .....	2
	1-653436	Hose, RH front 52" .....	1	40	1-603843	Pulley, idler .....	1
15	1-653409	Hose, LH top 44" & 48".....	1	41	3256-24	Washer, 3/8 SAE flat.....	1
	1-653434	Hose, LH top 52" .....	1	42	1-654143	Arm, idler w/bearings.....	1
16	1-633605	Elbow, 90° (RH).....	2	43	1-807272	Key 5 x 5 x 25 mm .....	2
	1-603919	Boss O-ring .....	1	44	1-803050	Setscrew, .312-18 x .75.....	4
	1-603992	Flare O-ring .....	1	45	1-653156	Sheave, pump drive 44"&48".	2
17	1-523328	Wheel motor.....	2		1-413010	Sheave, pump drive 52" .....	2
	1-000139	Kit, bearing .....	1	46	1-603414	Spring, extension.....	1
	1-000099	Kit, seal.....	1	47	3296-39	Nut, nyloc 3/8-16 .....	1
18	1-603990	Adapter, straight thread.....	4	48	1-653163	Belt, pump drive 44"&48".....	1
	1-603920	Boss O-ring .....	1		1-653416	Belt, pump drive 52" .....	1
	1-603992	Flare O-ring .....	1	49	1-801063	Screw, ¼-20 x 2 pan head ....	2
19	1-603989	Elbow, 90° .....	2	50	3296-42	Nut, nyloc ¼-20 .....	2
	1-603923	O-ring.....	1	51	1-613073	Grip, dump valve .....	2
20	1-632285	Hose assy, lo press. 11.5" gray	1	52	1-213069	Washer, #10 x 1 1/2 .....	1
21	1-654144	Hose, case drain .....	1	53	98-5975	Washer, disc spring .....	1
22	1-632286	Hose assy, lo press. 4.5" gray..	1	54	1-603988	Elbow, 90° .....	1
23	1-603826	Clamp, hose (1/2).....	3	55	1-603496	Bushing, idler.....	1
24	1-603722	Fitting, hose tee (1/4 I.D. hose)..	1	56	1-653410	Hose, LH bottom 44" & 48" ...	1
25	1-603827	Clamp, hose (5/8).....	5		1-653435	Hose, LH bottom 52" .....	1
26	1-603721	Fitting, hose tee (3/8 I.D.).....	1	57	1-633786	Elbow 90° long stem (LH) .....	2

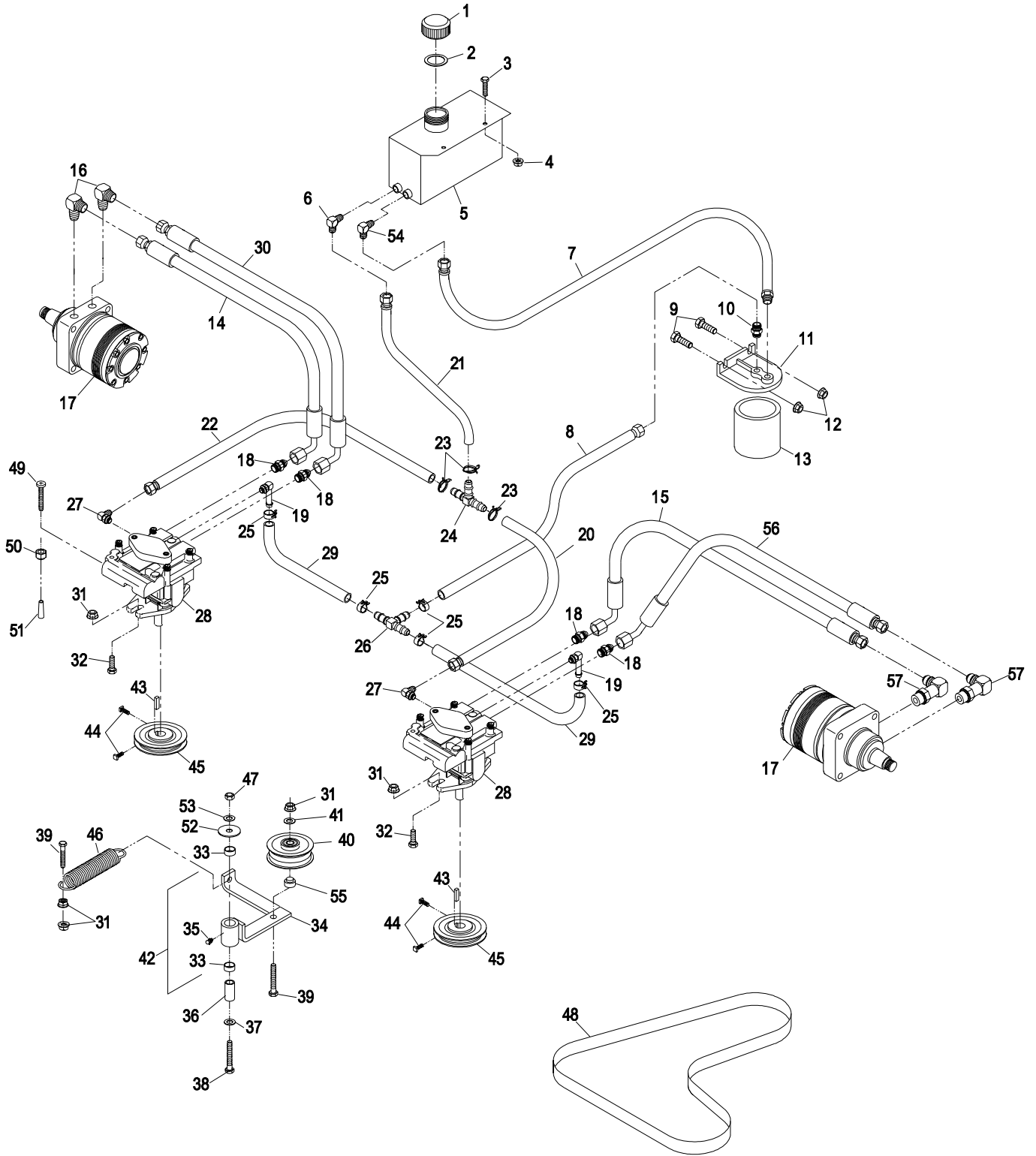
\* Use Teflon Pipe Sealant or equivalent on hydraulic reservoir and filter head fittings.

∇ Use only for operation below 32°F (0°C)

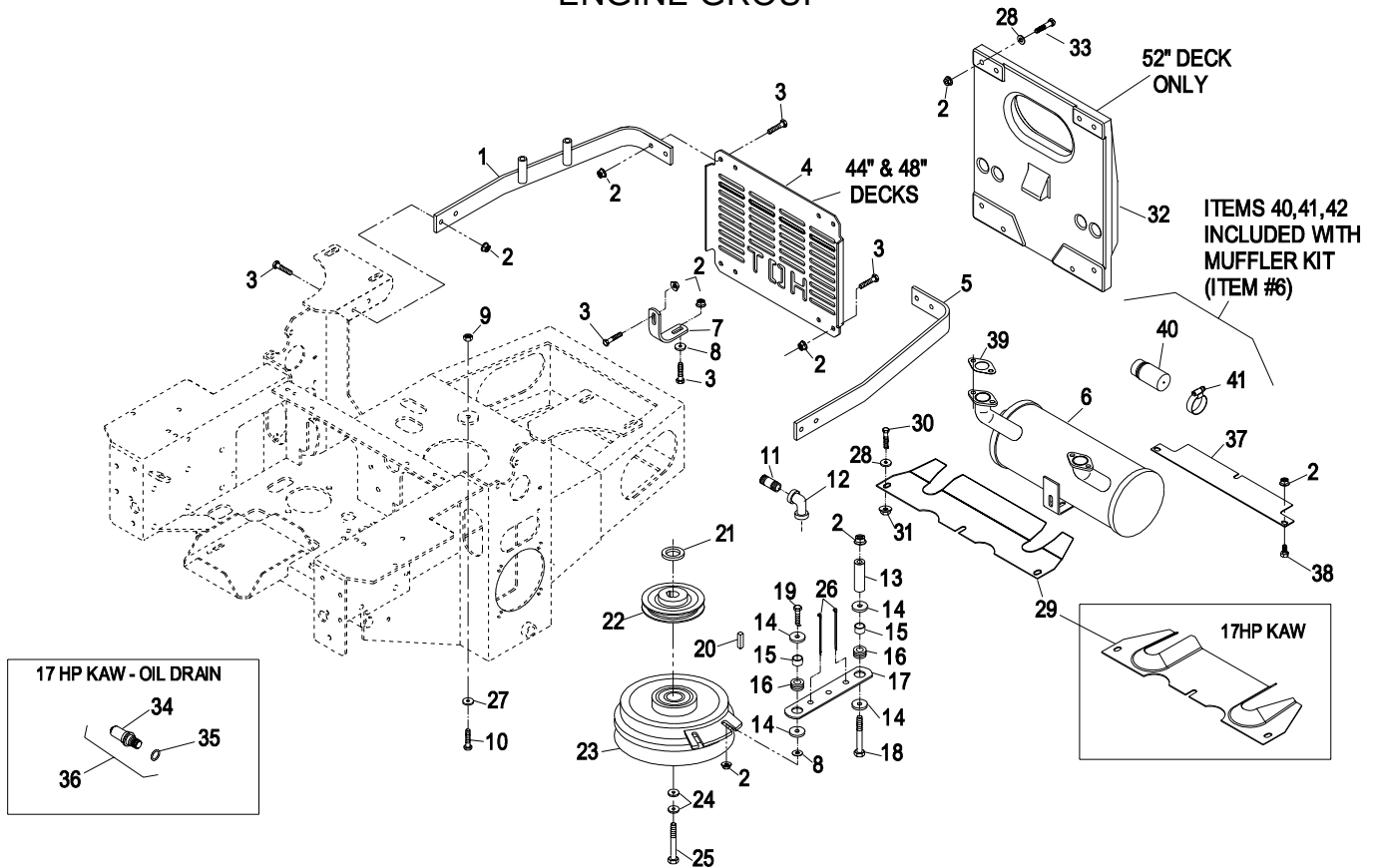
Exmark red touch up spray paint – P/N 1-850337

Use Pro-Lock, Nut Type (P/N 1-840022, .5ml tube) on setscrews.

### HYDRAULIC GROUP



### ENGINE GROUP

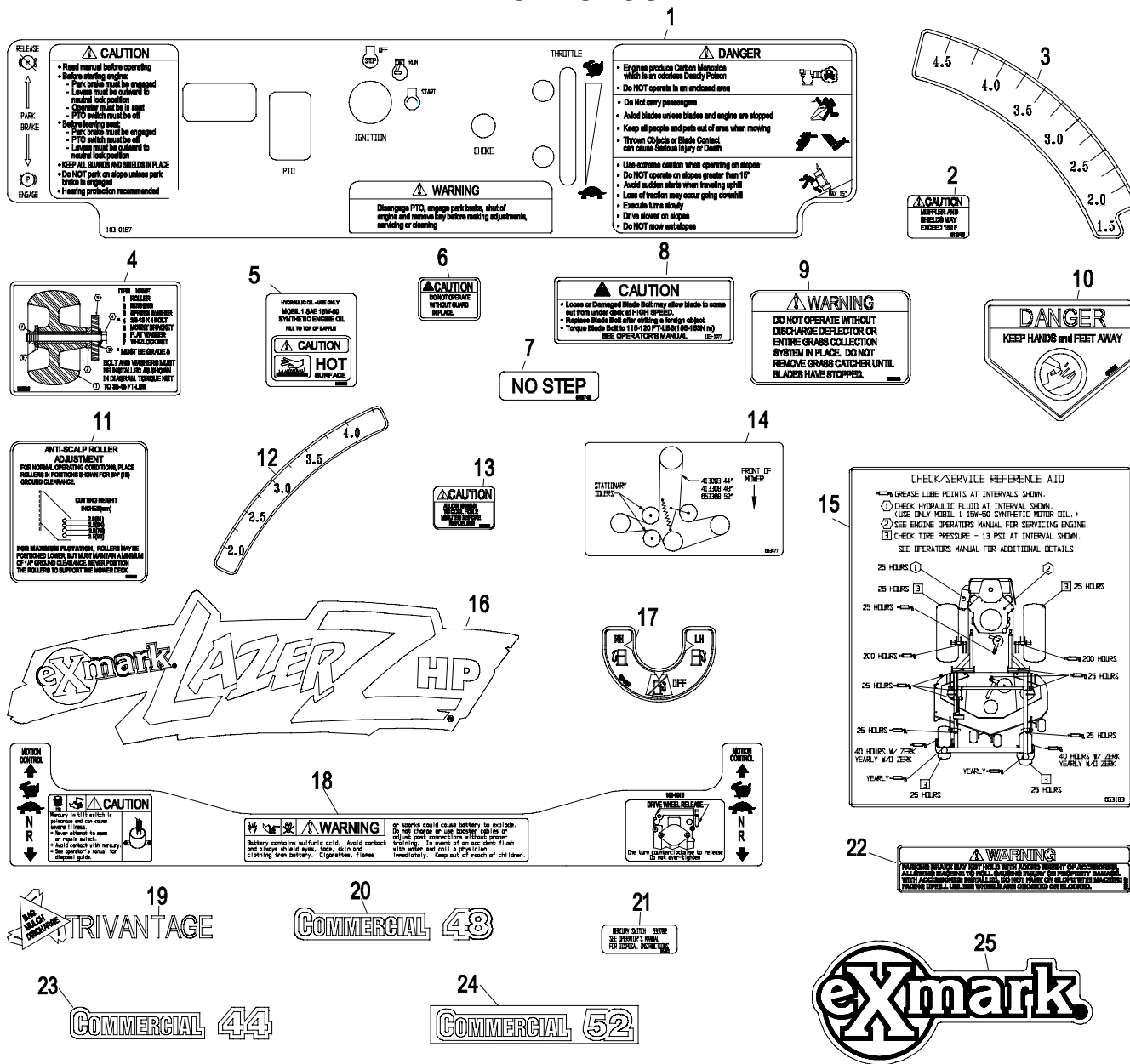


Ref. No.	Part No.	Description	Qty. Req'd.	Ref. No.	Part No.	Description	Qty. Req'd.
1	1-652146-03	Strap wldmt, engine guard ....	1	22	1-653035	Sheave, pump drive .....	1
2	32128-20	Nut, whizlock 5/16-18 .....	19	23	103-0690	Clutch .....	1
3	322-3	Screw, 5/16-18x3/4 (44" & 48") ..	14	24	1-603610	Washer, disc spring 7/16.....	2
	322-3	Screw, 5/16-18x3/4 (52") .....	6	25	◆ 3212-12	Screw, 7/16-20 x 3 (Kaw) .....	1
4	1-653095-03	Shield, eng. guard (44" & 48")	1		◆ 3212-10	Screw, 7/16-20 x 2 1/2(Koh) ..	1
5	1-653093-03	Strap, engine guard.....	1	26	1-303335	Plastic tie (large).....	2
6	103-1554	Muffler,kit (17hp Kaw) .....	1	27	1-303334	Washer, spring disc.....	4
	103-1555	Muffler,kit (18-23hp Koh).....	1	28	3256-23	Washer, 5/16 SAE flat(44" & 48")	3
	103-1556	Muffler,kit (19-23hp Kaw) .....	1		3256-23	Washer, 5/16 SAE flat (52") ..	11
7	1-653196	Bracket, muffler support.....	1	29	1-653565	Shield, heat (17hp Kaw) .....	1
8	3256-3	Washer, 5/16 std flat .....	1		1-653539	Shield,heat(except 17hp Kaw)	1
9	3296-29	Nut, nyloc 5/16-18 (Kaw) .....	4	30	3230-1	Bolt, carriage 5/16-18 x 3/4....	3
	32128-20	Nut, whizlock 5/16-18 (Koh) ..	4	31	3296-29	Nut, nyloc 5/16-18 .....	3
10	322-9	Screw, 5/16-18 x 1 3/4.....	4	32	1-653549	Counterweight, 60# (52").....	1
11	1-543064	Pipe Nipple (Koh) .....	1	33	322-7	Screw,CapHH 5/16-18x1 1/2(52")	8
12	1-303428	Elbow, 90° (Koh) .....	1	34	1-413505	Valve, oil drain .....	1
13	1-523406	Bushing, seat mount.....	1	35	1-413506	O-ring .....	1
14	1-613235	Washer.....	4	36	1-414507	Kit, oil drain valve .....	1
15	1-633545	Spacer, grommet.....	2	37	103-1366-03	Deflector,lower frame .....	1
16	1-633630	Grommet .....	2	38	322-2	Screw, 5/16-18 x .625 .....	3
17	1-633543-03	Strap, clutch/brake .....	1	39	1-653290	Gasket, (17 hp Kaw).....	2
18	322-22	Screw, 5/16-18 x 3 1/2.....	1		1-653291	Gasket, (18-23 hp Koh) .....	2
19	322-6	Screw, 5/16 NC x 1 1/4.....	1		1-653313	Gasket, (19-23 hp Kaw) .....	2
20	1-807259	Key.....	1	40	103-1513	Arrester, spark 1.25.....	1
21	1-543214	Spacer, crankshaft .....	1	41	103-1514	Clamp,arrester.....	1

◆ Use Pro-Lock, Nut Type (P/N 1-840022, .5ml tube) on clutch bolt  
 Exmark black touch up spray paint – gloss black

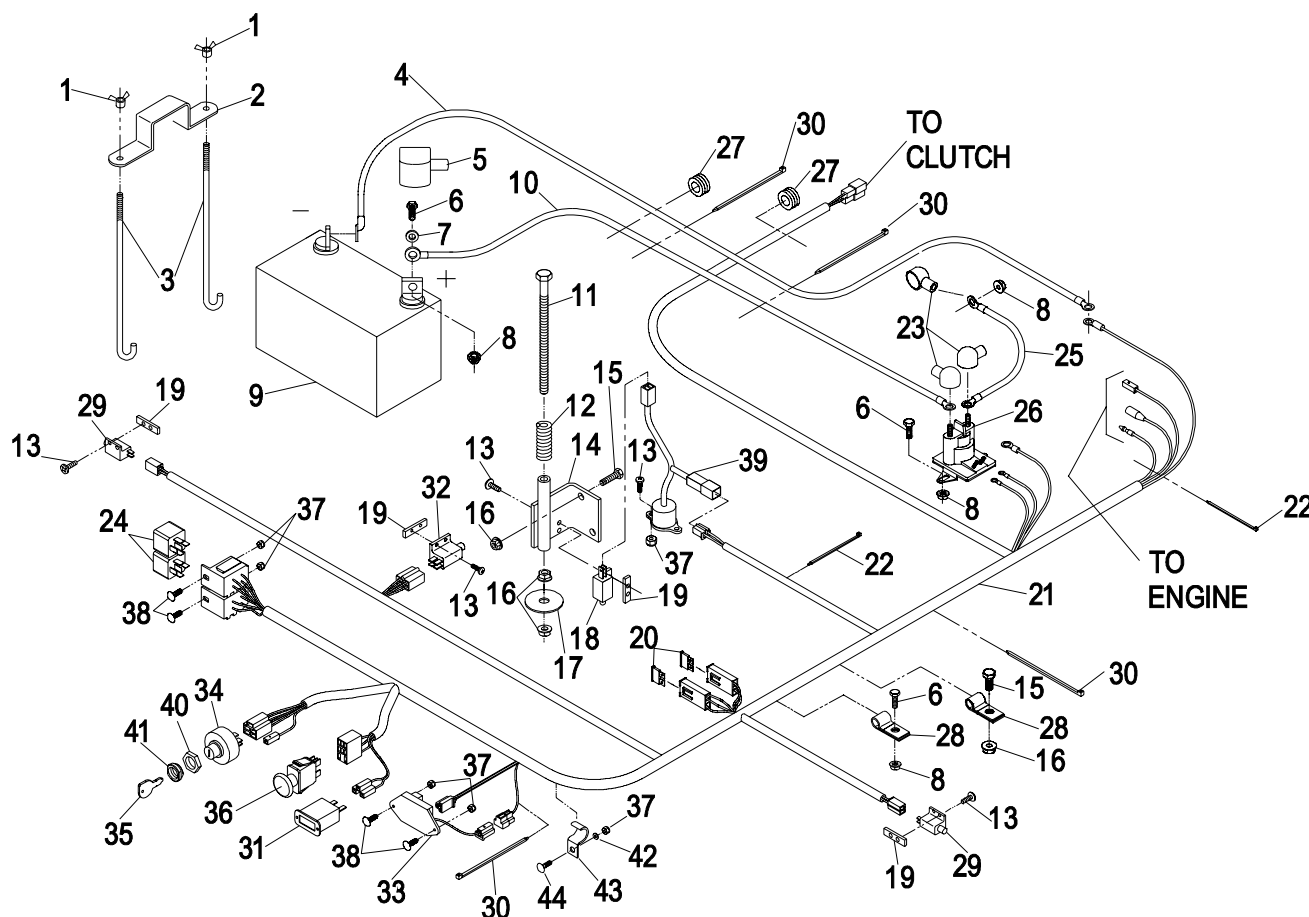


## DECAL GROUP



Ref. No.	Part No.	Description	Qty. Req'd.	Ref. No.	Part No.	Description	Qty. Req'd.
1	103-0167	Decal, Panel.....	1	14	1-653477	Decal, Belt Routing .....	1
2	1-513746	Decal, Muffler.....	2	15	1-653183	Decal, Check Service.....	1
3	1-653140	Decal, Deck Height .....	1	16	1-653139	Decal, Swash .....	1
4	1-323540	Decal, Roller Mounting.....	1	17	103-0262	Decal, Fuel Valve .....	1
5	1-523552	Decal, Hyd Tank/Hot Surface	1	18	103-0315	Decal, Top Console .....	1
6	1-513748	Decal, Guard.....	1	19	1-303520	Decal, Trivantage .....	1
7	1-513742	Decal, No Step .....	2	20	1-403131	Decal, Commercial 48 .....	1
8	1-373066	Decal, Bolt Torque .....	2	21	1-643401	Decal, Mercury Switch .....	1
9	1-303508	Decal, Discharge Warning ....	1	22	1-633827	Decal, Park Brake Warning ..	1
10	1-403005	Decal, Danger .....	2	23	1-523417	Decal, Commercial 44 .....	1
11	1-633922	Decal, Anti-Scalp.....	1	24	1-403132	Decal, Commercial 52.....	1
12	1-653147	Decal, Deck Height .....	1	25	1-643386	Decal, Decal, Exmark Logo ....	1
13	1-303293	Decal, 2 Minute Cool.....	2		1-654520	Decal Kit.....	1

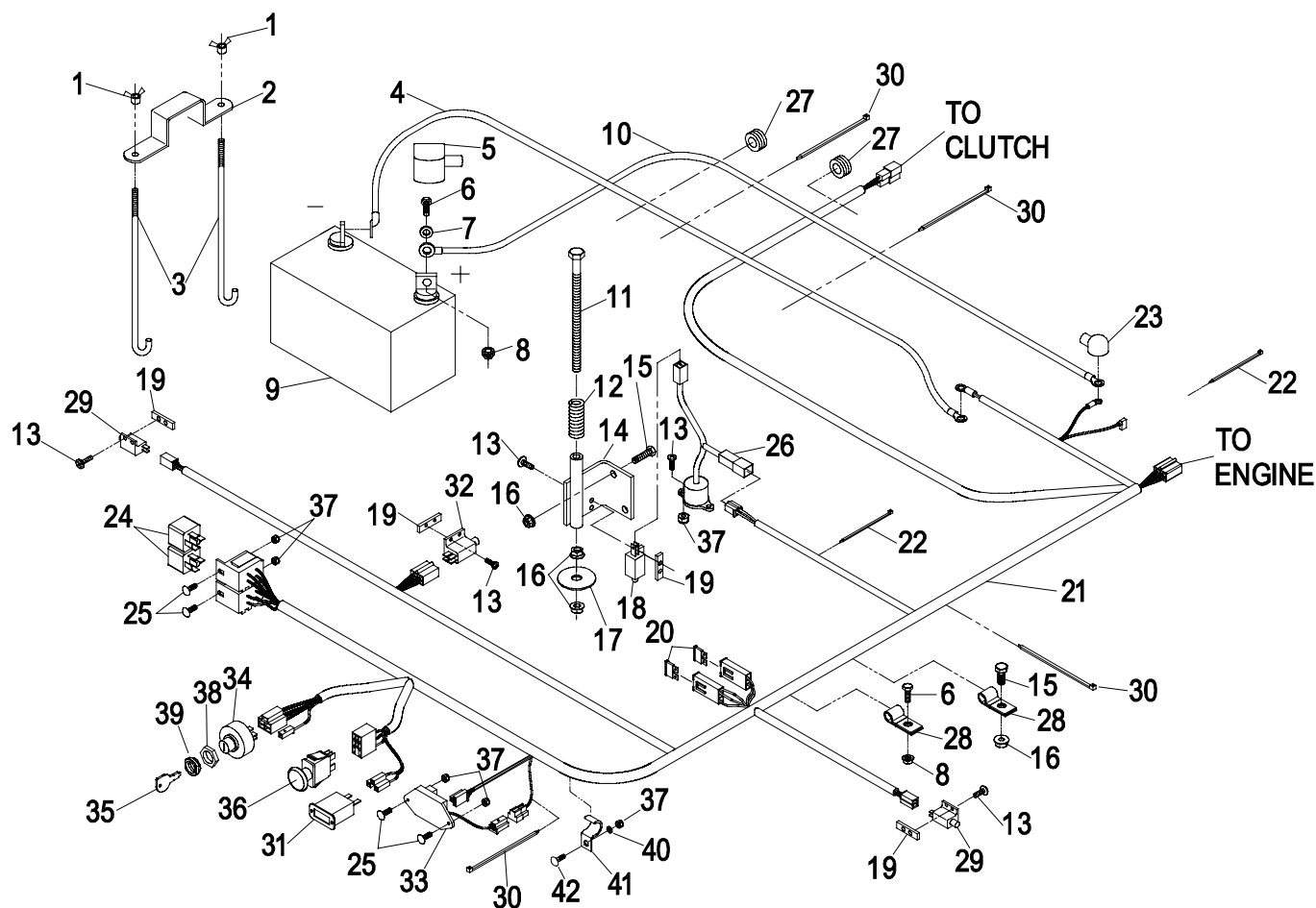
### KAWASAKI ELECTRICAL GROUP



Ref. No.	Part No.	Description	Qty. Req'd.	Ref. No.	Part No.	Description	Qty. Req'd.
1	1-543792	Wingnut, nyloc 1/4-20.....	2	23	1-543393	Insulator, solenoid (+).....	2
2	1-633652-03	Strap, battery holdown.....	1	24	1-643275	Relay, 12 V.....	2
3	1-633651	Bolt, battery holdown.....	2	25	1-633306	Cable, starter (+).....	1
4	103-0705	Cable, ground (-).....	1	26	1-513075	Switch, 12V solenoid.....	1
5	1-543391	Insulator, battery.....	1	27	1-543286	Grommet.....	2
6	321-4	Screw, 1/4-20 x 3/4.....	5	28	1-633396	Clip, loom 5/8.....	2
7	3256-2	Washer, 1/4 flat.....	2	29	1-513051	Switch, drive lever N.C.....	2
8	32128-33	Nut, 1/4-20 whizlock.....	6	30	1-303335	Plastic tie, large.....	4
9	103-0293	Battery, 12V.....	1	31	1-513374	Meter, engine hours.....	1
10	103-0707	Cable, battery (+).....	1	32	1-633111	Switch, brake N.O./N.C.....	1
11	1-800282	Screw, 5/16-18 x 7.....	1	33	100-6186	Module, seat delay.....	1
12	1-523415	Spring, seat switch.....	1	34	103-0206	Switch, ignition w/keys.....	1
13	3290-500	Screw, #10-24 x 5/8.....	10	35	1-603511	Keys, ignition.....	1
14	1-652072-03	Bracket wldmt, seat switch...1		36	1-633673	Switch, blade.....	1
15	322-3	Screw, 5/16-18 x 3/4.....	3	37	3296-2	Nut, nyloc #10-20.....	7
16	32128-20	Nut, whizlock 5/16-18.....	5	38	1-807513	Carriage Bolt, #10-24 x 1/2....	4
17	1-653036	Washer.....	1	39	1-633782	Switch, Tilt.....	1
18	1-513152	Switch, seat.....	1	40	103-0498	Nut, Ignition.....	1
19	1-633181	Plate.....	4	41	103-0499	Seal, Ignition.....	1
20	1-816001	Fuse-20 amp.....	2	42	3256-14	Washer, #10 flat.....	1
21	103-0623	Harness, wiring.....	1	43	103-1193	Clip, loom half.....	1
22	1-303287	Plastic tie, small.....	3	44	1-807533	Bolt, carriage 10-24x5/8.....	1

◆Use dielectric grease on all wiring harness connectors.

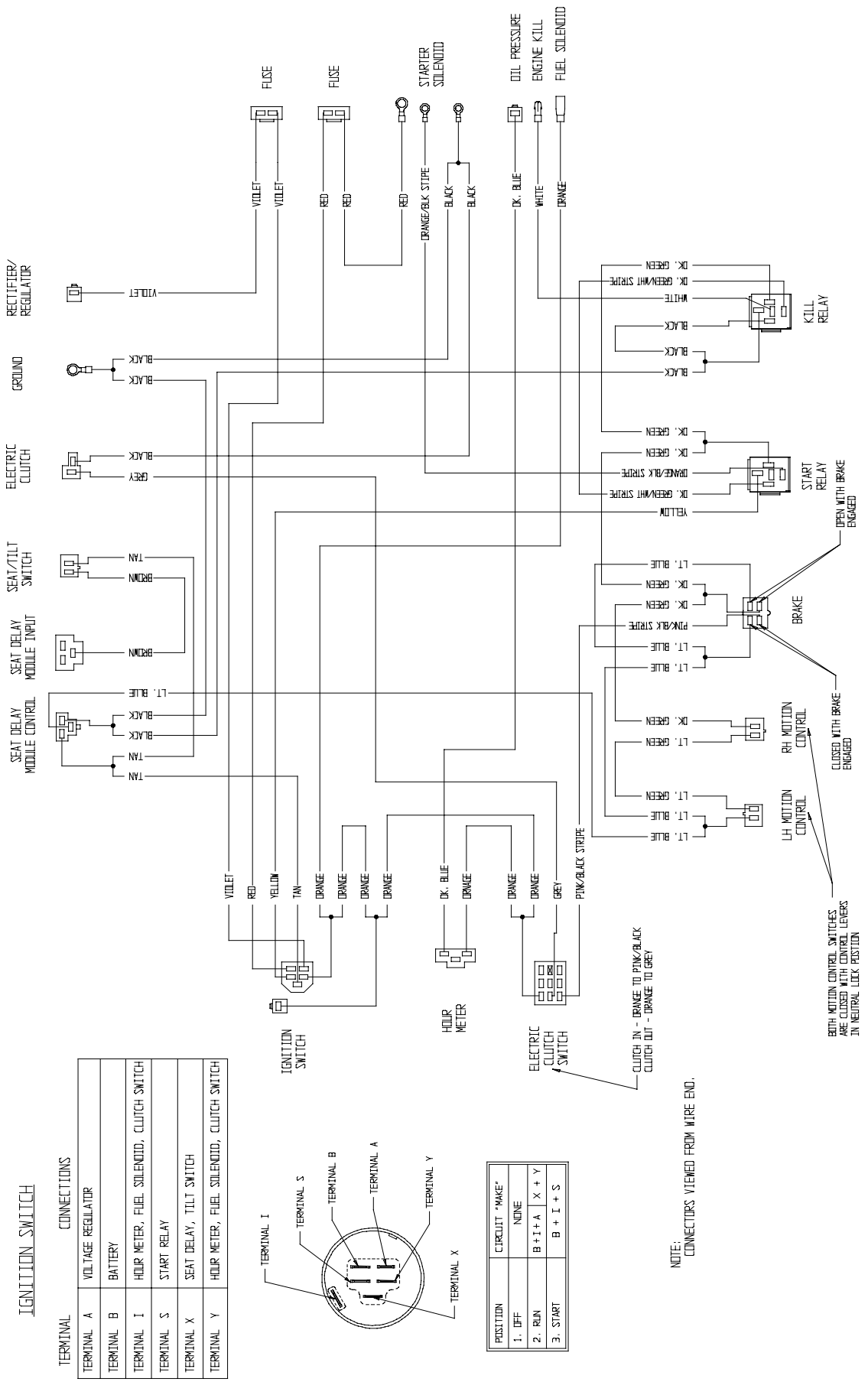
### KOHLER ELECTRICAL GROUP



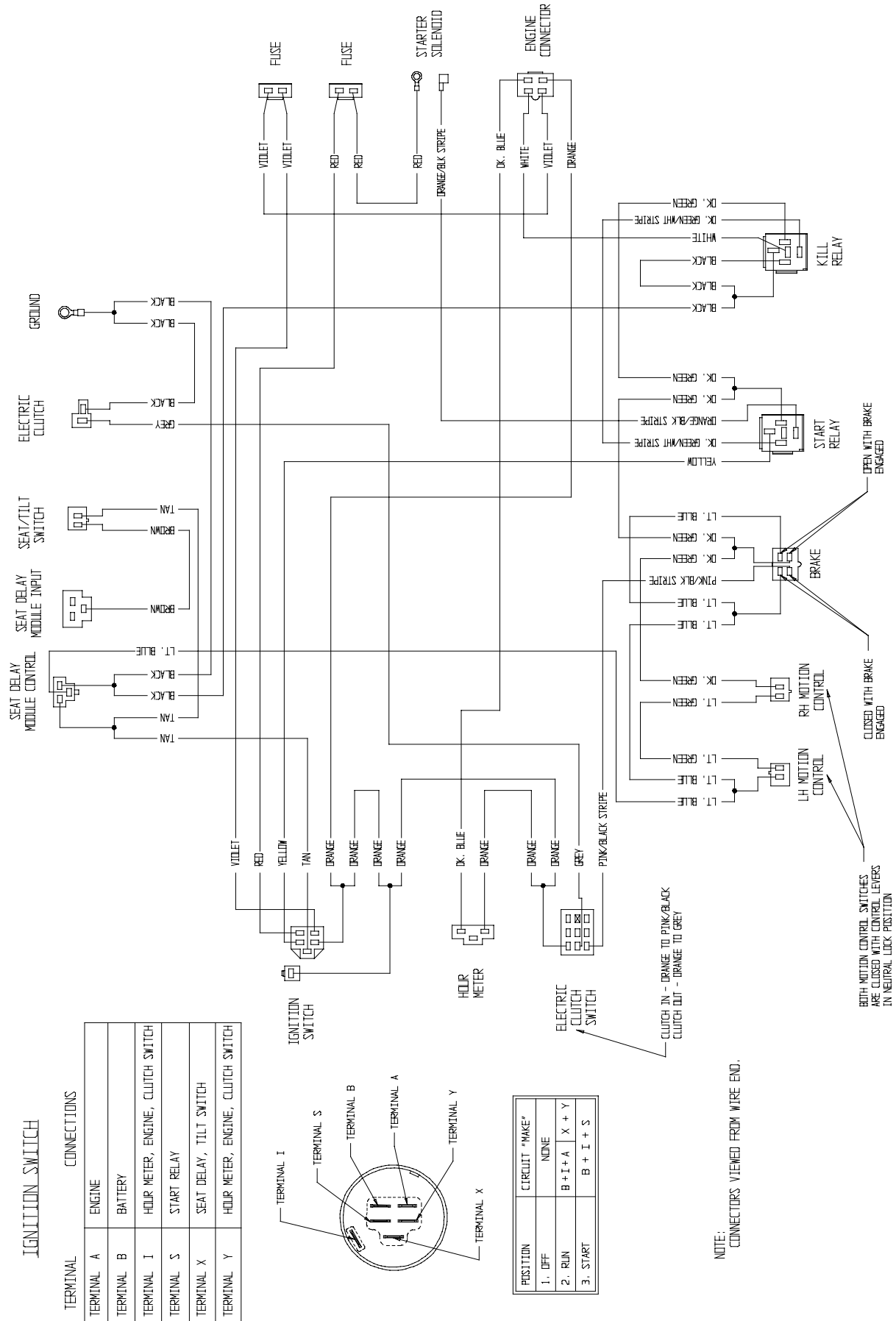
Ref. No.	Part No.	Description	Qty. Req'd.	Ref. No.	Part No.	Description	Qty. Req'd.
1	1-543792	Wingnut, nyloc 1/4-20.....	2	22	1-303287	Plastic tie, small .....	2
2	1-633652-03	Strap, battery holdown.....	1	23	1-543393	Insulator, solenoid (+).....	1
3	1-633651	Bolt, battery holdown .....	2	24	1-643275	Relay, 12 V .....	2
4	103-0705	Cable, ground (-) .....	1	25	1-807513	Carriage Bolt, #10-24 x 1/2 ....	4
5	1-543391	Insulator, battery.....	1	26	1-633782	Switch, Tilt.....	1
6	321-4	Screw, 1/4-20 x 3/4 .....	3	27	1-543286	Grommet .....	2
7	3256-2	Washer, 1/4 flat .....	2	28	1-633396	Clip, loom 5/8 .....	2
8	32128-33	Nut, 1/4-20 whizlock .....	3	29	1-513051	Switch, drive lever N.C. ....	2
9	103-0293	Battery, 12V.....	1	30	1-303335	Plastic tie, large .....	4
10	1-523281	Cable, battery (+).....	1	31	1-513374	Meter, engine hours .....	1
11	1-800282	Screw, 5/16-18 x 7 .....	1	32	1-633111	Switch, brake N.O./N.C.....	1
12	1-523415	Spring, seat switch .....	1	33	100-6186	Module, seat delay .....	1
13	3290-500	Screw, #10-24 x 5/8 .....	10	34	103-0206	Switch, ignition w/keys.....	1
14	1-652072-03	Bracket wldmt, seat switch...1		35	1-603511	Keys, ignition .....	1
15	322-3	Screw, 5/16-18 x 3/4 .....	3	36	1-633673	Switch, blade .....	1
16	32128-20	Nut, whizlock 5/16-18 .....	5	37	3296-2	Nut, nyloc #10-20 .....	7
17	1-653036	Washer.....	1	38	103-0498	Nut, Ignition .....	1
18	1-513152	Switch, seat .....	1	39	103-0499	Seal, Ignition.....	1
19	1-633181	Plate .....	4	40	3256-14	Washer, #10 flat.....	1
20	1-816001	Fuse-20 amp.....	2	41	103-1193	Clip, loom half.....	1
21	103-0595	Harness, wiring .....	1	42	1-807533	Bolt, carriage 10-24x5/8.....	1

◆Use dielectric grease on all wiring harness connectors.

## KAWASAKI ELECTRICAL DIAGRAM



## KOHLER ELECTRICAL DIAGRAM



## NOTES

## SERVICE RECORD

Date	Description of Work Done	Service Done By

**SEE EXMARK'S COMPLETE  
LINE OF PRODUCTS FOR TURF CARE**

**LAZER Z<sup>®</sup>**

**LAZER Z<sup>®</sup> HP**

**LAZER Z<sup>®</sup> XP**

**TURF RANGER<sup>®</sup>**

**TURF TRACER<sup>®</sup>**

**TURF TRACER<sup>®</sup> HP**

**VIKING HYDRO**

**METRO<sup>®</sup>**

**METRO<sup>®</sup> HP**

**ULTRA VAC<sup>™</sup>**

**SELF STEERING SULKY**

**GRASS CATCHER**

**MICRO-MULCH<sup>™</sup> ACCESSORY**

©1997,1998, 1999, 2000, 2001  
EXMARK MFG. CO. INC.  
INDUSTRIAL PARK BOX 808  
BEATRICE, NE 68310  
ALL RIGHTS RESERVED

PART NO. 103-0716 Rev C.  
(402) 223-6300  
FAX (402) 223-5489

PRINTED IN U.S.A.

