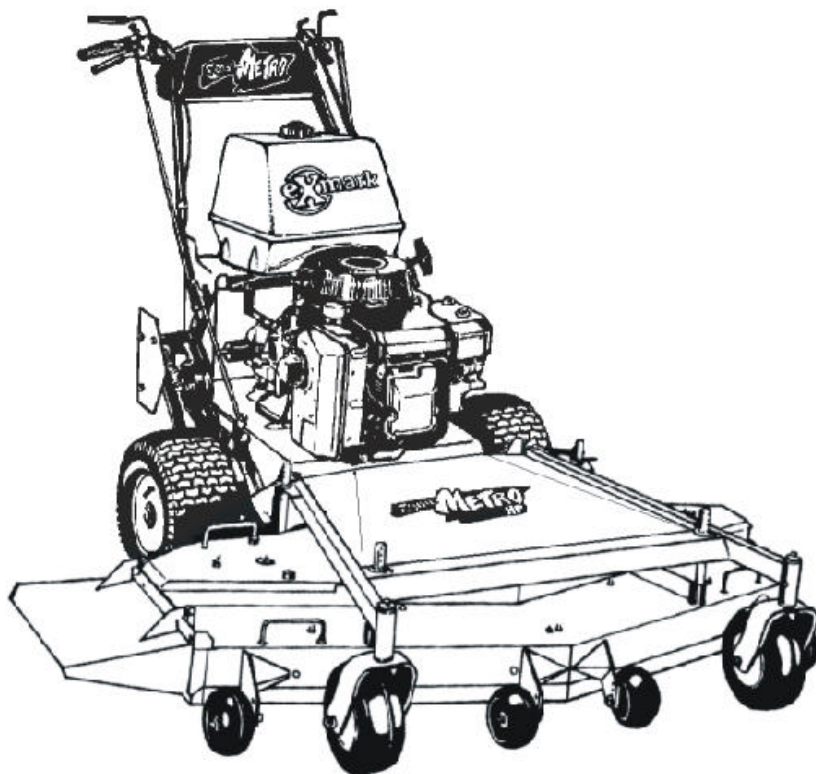


For Serial Nos. 150,000 thru 259,999  
and 260,000 & Higher



# METRO<sup>®</sup> HP

# OPERATOR'S MANUAL

CONGRATULATIONS on the purchase of your new Exmark mower. This product has been carefully designed and manufactured to give you a maximum amount of dependability and years of trouble-free operation.

If additional information is needed, or should you require trained mechanic service, contact your authorized Exmark equipment dealer or distributor.

If you need to order replacement parts from your dealer, always give the model number and serial number of your mower as well as the part number, description and quantity of the part needed.

The Serial No. plate is located next to the fuel tank on the top left-hand side of the fuel tank support.

For ease of ordering and reference, we suggest that you record the information requested in the following identification table.

Model No. \_\_\_\_\_

Serial No. \_\_\_\_\_


Engine Model No. \_\_\_\_\_


Engine Serial No. \_\_\_\_\_

Date Purchased \_\_\_\_\_

Paste Label From  
Literature Packet Here



 <b>WARNING</b>
<b>POTENTIAL HAZARD</b> <ul style="list-style-type: none"><li>◆ This product is a piece of power equipment.</li></ul>
<b>WHAT CAN HAPPEN</b> <ul style="list-style-type: none"><li>◆ Failure to follow safe operating practices can result in serious operator injury or even death.</li></ul>
<b>HOW TO AVOID THE HAZARD</b> <ul style="list-style-type: none"><li>◆ Keep all shields, guards and safety devices (especially the grass discharge system) in place and in proper working condition.</li><li>◆ Stop engine and remove spark plug wire(s) or remove key and wait for all moving parts to stop before adjusting, servicing, or performing maintenance.</li><li>◆ If mower deck becomes clogged, stop engine and remove spark plug wire(s) or remove key and wait for all moving parts to stop before cleaning blockage.</li><li>◆ Keep hands, feet and clothing away from power driven parts.</li><li>◆ Keep off mower unless seat platform is provided.</li><li>◆ Keep others off mower.</li></ul>

 <b>WARNING</b>
<b>POTENTIAL HAZARD</b> <ul style="list-style-type: none"><li>◆ Gasoline is harmful or fatal if swallowed. Long-term exposure to vapors has caused cancer in laboratory animals.</li></ul>
<b>WHAT CAN HAPPEN</b> <ul style="list-style-type: none"><li>◆ Failure to use caution may cause serious injury or illness.</li></ul>
<b>HOW TO AVOID THE HAZARD</b> <ul style="list-style-type: none"><li>◆ Avoid prolonged breathing of vapors.</li><li>◆ Keep face away from nozzle and gas tank/container opening.</li><li>◆ Keep away from eyes and skin.</li><li>◆ Never siphon by mouth.</li></ul>

**IMPORTANT**

When the mower is used or operated on any California forest, brush or grass covered land, a working spark arrester must be attached to the muffler. If not, the operator is violating state law, Section 442 Public Resource Code. To acquire a spark arrester for your unit, see your Engine Service Dealer.

Exmark reserves the right to make changes or add improvements to its products at any time without incurring any obligation to make such changes to products manufactured previously. Exmark, or its distributors and dealers, accept no responsibility for variations which may be evident in the actual specifications of its products and the statements and descriptions contained in this publication.

## EXMARK PARTS PLUS<sup>0</sup> PROGRAM

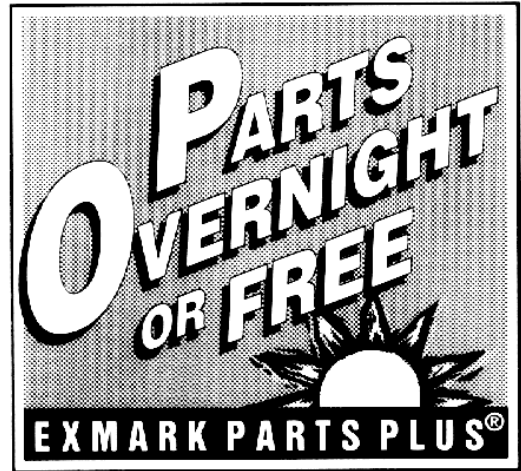
EFFECTIVE DATE: September 1, 1995

### Program

If your Exmark dealer does not have the Exmark part in stock, Exmark will get the parts to the dealer the next business day or the part will be FREE\* Guaranteed!!

### *How the Program Works*

1. If dealer does not have part in stock for a "down" unit at the time of request by customer, the dealer contacts his distributor by 1:00 p.m., local time, and requests Exmark Parts Plus<sup>0</sup> shipment of six (6) line items or less.
2. Distributor ships part(s) to dealer or customer, as requested by dealer, same day, overnight UPS. Distributor bills dealer for part and freight charges where applicable.
3. If distributor does not have the part(s) in stock to satisfy Exmark Parts Plus<sup>0</sup> order, he contacts Exmark by 3:00 p.m., central time, with an Exmark Parts Plus<sup>0</sup> order of six (6) line items or less.
4. If order is received by 3:00 p.m. central time, Exmark ships part(s) direct to dealer or customer, as requested by distributor, same day, overnight UPS, Exmark bills the distributor for parts and shipping charges, where applicable.
5. The customer pays for the part and freight if it is shipped under the Exmark Parts Plus<sup>0</sup> and if it arrives in accordance to the program.
6. Who pays for the part and freight if it fails to arrive overnight in accordance to the program?
  - A. Under any circumstance the customer does not pay.
  - B. If the part does not arrive overnight due to:
    1. The dealer not submitting the Exmark Parts Plus<sup>0</sup> order to his Exmark distributor by 1:00 p.m., the dealer pays for the part and freight.
    2. The Distributor being unable to ship the part the same day or not submitting the Exmark Parts Plus<sup>0</sup> order to Exmark by 3:00 p.m., central time, the Distributor pays for the part and freight.
    3. Exmark being unable to ship the part and the Exmark parts order is received by 3:00 p.m., central time, Exmark pays for the part and freight.
    4. If the part does not arrive overnight due to the shipper (UPS), the shipper pays for the freight and Exmark pays for the part.



**The following restrictions apply** -- The Exmark Parts Plus<sup>0</sup> Program is available only through participating Exmark Dealers and applies only to orders submitted on this program Monday through Thursday. Parts Plus service is available only in the 48 contiguous United States. UPS has initiated a Saturday delivery program to many areas of the continental United States and can be requested for an overnight shipment on Friday to be delivered Saturday. The next day air charge, plus the Saturday delivery fee will be the responsibility of the purchaser. Exmark Mfg. will assume no responsibility for Saturday delivery shipments. To qualify, all Exmark Parts Plus<sup>0</sup> orders must be received by Exmark by 3:00 p.m., central time. Orders must be six (6) line items or less. Exclusions from the Exmark Parts Plus<sup>0</sup> Program are: Any wholegood or accessory in its entirety, engines and engine replacement parts, 5-speed Peerless transmissions and 5-speed transaxles, hydraulic or hydrostatic wheel motors, cutter decks and engine decks or any item exceeding United Parcel Service size and weight restrictions.

Due to UPS restrictions, aerosol spray paint is considered a hazardous material and cannot be shipped via UPS next day or Second Day Air.

Exmark Manufacturing stocks a limited supply of parts for transaxles, pumps and wheel motors. These parts can be ordered for Next Day Air shipment but will not be guaranteed per the Parts Plus Program.

**CONGRATULATIONS** on the purchase of your Exmark Mower. This product has been carefully designed and manufactured to give you a maximum amount of dependability and years of trouble-free operation.

## **OPERATOR'S MANUAL**

This manual contains assembly, operating, maintenance, adjustment and safety instructions for your Exmark mower.

**BEFORE OPERATING YOUR MOWER, CAREFULLY READ THIS MANUAL IN ITS ENTIRETY.**

By following the operating, maintenance and safety instructions, you will prolong the life of your mower, maintain its maximum efficiency and promote safe operation.

If additional information is needed, or should you require trained mechanic service, contact your authorized Exmark equipment dealer or distributor.

All Exmark equipment dealers and distributors are kept informed of the latest methods of servicing and are equipped to provide prompt and efficient service in the field or at their service stations. They carry ample stock of service parts or can secure them promptly for you from the factory.

All Exmark parts are thoroughly tested and inspected before leaving the factory, however, attention is required on your part if you are to obtain the fullest measure of satisfaction and performance.

## TABLE OF CONTENTS

<b>1. SAFETY .....</b>	<b>PAGE</b>
1.1 Safety Alert Symbol .....	1
1.2 Training.....	1
1.3 Preparation .....	1-3
1.4 Operation.....	3-4
1.5 Maintenance & Storage .....	4-5
1.6 Riding Attachments.....	5
1.7 Safety Signs .....	5-7
<b>2. SPECIFICATIONS</b>	
2.1 Model Number .....	8
2.2 Engine .....	8
2.3 Fuel System.....	8
2.4 Safety Interlock System .....	8
2.5 Steering/Brake Control.....	8
2.6 Transmission .....	8
2.7 Wheel Drive System .....	8
2.8 Tires .....	8
2.9 Deck .....	8-9
2.10 Dimensions .....	9
2.11 Torque Requirements .....	9
<b>3. ASSEMBLY INSTRUCTIONS</b>	
3.1 to 3.18 Assembly .....	9-14
<b>4. OPERATION INSTRUCTIONS</b>	
4.1 Controls .....	14-16
4.2 Pre-Start .....	16-17
4.3 Operation Instructions.....	17-19
4.4 Transporting .....	19
<b>5. MAINTENANCE &amp; ADJUSTMENTS</b>	
5.1 Periodic Maintenance .....	20-25
5.2 Adjustments.....	26-28
<b>6. WASTE DISPOSAL</b>	
6.1 Motor Oil Disposal.....	28
<b>7. TROUBLE SHOOTING</b>	
7.1 Mower Pulling Left or Right.....	28-29
7.2 Mower Cuts Unevenly .....	29
7.3 Engine Will Not Start.....	29-30
<b>8. WIRING DIAGRAM .....</b>	<b>31-32</b>
<b>9. WARRANTY .....</b>	<b>33-34</b>

## 1. SAFETY

### 1.1 SAFETY ALERT SYMBOL

THIS SAFETY ALERT SYMBOL  IS USED BOTH IN THIS MANUAL AND ON THE MACHINE TO IDENTIFY IMPORTANT SAFETY MESSAGES WHICH MUST BE FOLLOWED TO AVOID ACCIDENTS. THIS SYMBOL MEANS:

**ATTENTION! BECOME ALERT!  
YOUR SAFETY IS INVOLVED!**

The safety alert symbol appears above information which alerts you of unsafe actions or situations and will be followed by the word **DANGER**, **WARNING**, or **CAUTION**.

**When used with the word DANGER: IT DENOTES THAT AN EXTREME HAZARD EXISTS WHICH WOULD RESULT IN HIGH PROBABILITY OF DEATH OR IRREPARABLE INJURY IF PROPER PRECAUTIONS ARE NOT TAKEN.**

**When used with the word WARNING: IT DENOTES THAT A HAZARD EXISTS WHICH CAN RESULT IN INJURY OR DEATH IF PROPER PRECAUTIONS ARE NOT TAKEN.**


**When used with the word CAUTION: IT DENOTES A REMINDER OF SAFETY PRACTICES OR DIRECTS ATTENTION TO UNSAFE PRACTICES WHICH COULD RESULT IN PERSONAL INJURY IF PROPER PRECAUTIONS ARE NOT TAKEN.**

### 1.2 TRAINING

- 1.2.1 Regard the Exmark mower as a piece of power equipment and teach this regard to all who operate this unit.
- 1.2.2 Read the instructions carefully. Familiarize yourself with the controls and the proper use of the equipment.
- 1.2.3 Never allow children, teenagers, or people unfamiliar with these instructions to use the mower.
- 1.2.4 Avoid mowing while people, especially children, or pets, are nearby. Keep in mind that the operator or user is responsible for accidents or hazards occurring to other people or their property.


### 1.3 PREPARATION


- 1.3.1 The use of personal protective equipment, such as (but not limited to) protection for the eyes, ears, feet and head is recommended.


 <b>CAUTION</b>
<b>POTENTIAL HAZARD</b> ◆ This machine produces sound levels in excess of 85 dBA at the operator's ear when in operation.
<b>WHAT CAN HAPPEN</b> ◆ Exposure to sound levels of 85 dBA or above for extended periods of time can cause hearing loss.
<b>HOW TO AVOID THE HAZARD</b> ◆ Wear hearing protection when operating this machine.

- 1.3.2 While mowing, always wear substantial footwear and long trousers. Do not operate equipment when barefoot or when wearing open sandals.

- 1.3.3 Thoroughly inspect the area where the equipment is to be used and remove all stones, sticks, wires, bones and other foreign objects which may damage the equipment or cause personal injury to the operator or bystanders.

 <b>WARNING</b>
<b>POTENTIAL HAZARD</b> <ul style="list-style-type: none"><li>◆ Engine exhaust contains carbon monoxide, which is an odorless deadly poison.</li></ul>
<b>WHAT CAN HAPPEN</b> <ul style="list-style-type: none"><li>◆ Carbon monoxide can kill you and is also known to the State of California to cause birth defects.</li></ul>
<b>HOW TO AVOID THE HAZARD</b> <ul style="list-style-type: none"><li>◆ Do not run engine indoors or in a small confined area where dangerous carbon monoxide fumes can collect.</li></ul>

 <b>DANGER</b>
<b>POTENTIAL HAZARD</b> <ul style="list-style-type: none"><li>◆ In certain conditions gasoline is extremely flammable and highly explosive.</li></ul>
<b>WHAT CAN HAPPEN</b> <ul style="list-style-type: none"><li>◆ A fire or explosion from gasoline can burn you, others, and cause property damage.</li></ul>
<b>HOW TO AVOID THE HAZARD</b> <ul style="list-style-type: none"><li>◆ <i>DO NOT</i> smoke while refueling, and stay away from an open flame or where gasoline fumes may be ignited by spark.</li><li>◆ Refuel only in a well ventilated area, or refuel outdoors.</li><li>◆ Store gasoline in an approved container and keep it out of the reach of children.</li><li>◆ Add fuel before starting the engine. <i>Never</i> remove the cap of the fuel tank or add fuel when engine is running or when the engine is hot.</li><li>◆ <i>Never</i> fill the fuel tank so that the gasoline level rises above a level that is 1/2" below the bottom of the filler neck to allow for gasoline expansion and prevent fuel spillage.</li><li>◆ If fuel is spilled, <i>DO NOT</i> attempt to start the engine. Move away from the area of the spill and avoid creating any source of ignition until fuel vapors have dissipated.</li></ul>

 <b>DANGER</b>
<b>POTENTIAL HAZARD</b> <ul style="list-style-type: none"><li>◆ In certain conditions gasoline is extremely flammable and highly explosive.</li></ul>
<b>WHAT CAN HAPPEN</b> <ul style="list-style-type: none"><li>◆ A static charge can ignite gasoline vapors. A fire or explosion from gasoline can burn you, others, and cause property damage.</li></ul>
<b>HOW TO AVOID THE HAZARD</b> <ul style="list-style-type: none"><li>◆ Purchase and store gasoline only in an approved container.</li><li>◆ Always place gasoline containers on the ground away from your vehicle before filling.</li><li>◆ Do not fill gasoline containers inside a vehicle or on a truck or trailer bed because interior carpets or plastic truck bed liners may insulate the container and slow the loss of any static charge.</li><li>◆ When practical, remove gas-powered equipment from the truck or trailer and refuel the equipment with its wheels on the ground.</li><li>◆ If this is not possible, then refuel such equipment on a truck or trailer from a portable container, rather than from a gasoline dispenser nozzle.</li><li>◆ If a gasoline dispenser nozzle must be used, keep the nozzle in contact with the rim of the fuel tank or container opening at all times until fueling is complete.</li></ul>

## 1.4 OPERATION

***Although hazard control and accident prevention are partially dependent upon the design and configuration of the equipment, these factors are also dependent upon the awareness, concern, prudence and proper training of the personnel involved in the operation, transport, maintenance and storage of the equipment. It is essential that all Operator Safety Mechanisms be connected and in operating condition prior to use for mowing.***

- 1.4.1 Give complete, undivided attention to the job at hand.
- 1.4.2 Mow only in daylight or good artificial light. **Do Not** operate the mower when children or others are in the area!
- 1.4.3 When feasible, avoid operating the equipment in wet grass.
- 1.4.4 Use **EXTREME** caution when mowing and/or turning on slopes as loss of traction and/or control could occur. Mow **across** slopes with walk behind mowers, never up and down. Loss of control and/or loss of operator's footing could result in a fall with an arm or leg getting under the mower or engine deck and sustaining serious injury. Drive slower on slopes. **DO NOT** operate on slopes greater than 20 degrees. Watch for ditches, holes, rocks, dips, and rises which can cause erratic handlebar movement and loss of footing. Keep away from drop-offs and steep banks. Avoid sudden starts. Look down and behind you before and while moving backwards. **DO NOT** mow slopes when grass is wet - slippery conditions create hazardous footing, affect steering, and reduce traction and braking. The operator is responsible for safe operation on slopes. See inside back cover to determine the approximate slope angle of the area to be mowed.



- 1.4.5 Stop the blades when crossing surfaces other than grass; and when transporting the mower to and from the area to be mowed.
- 1.4.6 Never operate the mower with defective guards, shields, or covers. Always have safety shields, guards, switches, and other devices in place and in proper working condition.
- 1.4.7 **Do Not** change the engine governor settings or over-speed the engine. Operating an engine at excessive speed may increase the hazard of personal injury.
- 1.4.8 Place transmission in neutral, disengage blade drive before starting engine.
- 1.4.9 Start the engine carefully with feet well away from blades.
- 1.4.10 Keep hands, feet and clothing away from rotating parts while the mower is being operated.
- 1.4.11 Stop the engine and remove spark plug wire(s) or ignition key:
  - Before checking, cleaning or working on the mower.
  - After striking a foreign object (inspect the mower for damage and make repairs before restarting and operating the mower).
- 1.4.12 Stop the engine:
  - Before clearing blockages.
  - Whenever you leave the mower.
  - Before removing the grass catcher.
  - Before refueling.
  - Before making height adjustments.
- 1.4.13 Before stopping the engine, return the throttle control to the idle position for 30 seconds to allow the engine to cool down.
- 1.4.14 The fuel system is provided with a shut-off valve. The fuel shut-off valve is used to shut off the fuel when:
  - The machine will not be used for a few days.
  - During transport to and from the job.
  - When parking inside a building.
- 1.4.15 This mower was designed for one operator only. Keep all others away from mower during operation.
- 1.4.16 **Do Not** mow without the grass deflector or entire grass collection system in place and in proper working condition.

## 1.5 MAINTENANCE AND STORAGE

- 1.5.1 For engine maintenance, follow the engine manufacture's recommendations precisely as stated in the engine manual.
- 1.5.2 When making adjustments while the engine is running, such as carburetor and motion control linkage adjustments, stand to one side and keep clear of moving/rotating components, such as engine screen, drive belts and sheaves. **Do Not** wear loose fitting clothing or jewelry that could get tangled in moving/rotating components..
- 1.5.3 Keep engine and engine area free from accumulation of grass, leaves, excessive grease or oil and other debris which can accumulate in these areas. These materials can become combustible and may result in a fire.
- 1.5.4 Store fuel in a container specifically designed for this purpose in a cool, dry place.

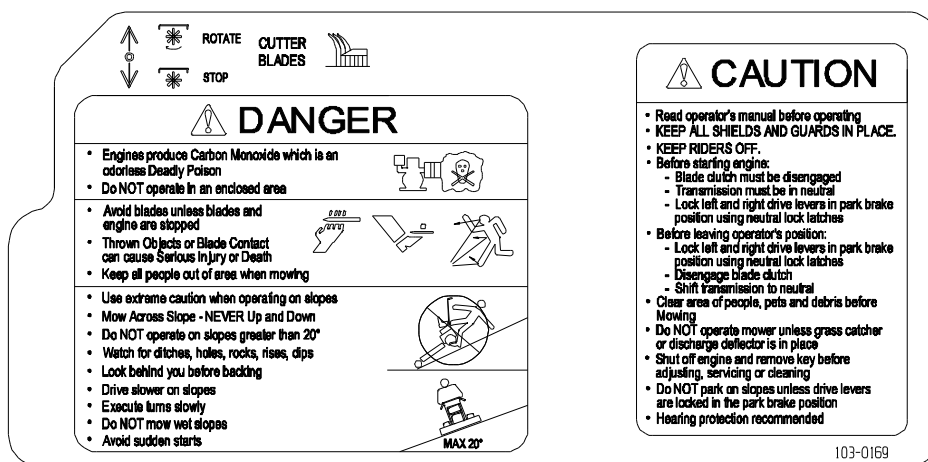
- 1.5.5 Keep the mower and fuel container in locked storage to prevent children from playing or tampering with them.
- 1.5.6 Gasoline powered equipment or fuel containers should not be stored in a basement or any enclosed area, where open pilot lights or heat appliances are present.
- 1.5.7 Maximum mowing results and safety can only be achieved if the mower is properly maintained and operated correctly.
- 1.5.8. Check all bolts frequently to maintain proper tightness.
- 1.5.9. Keep all guards, shields and all safety devices in place and in safe working condition.
- 1.5.10 Frequently check for worn or deteriorating components that could create a hazard.
- 1.5.11 All replacement parts must be the same as or equivalent to the parts supplied as original equipment.

## 1.6 RIDING ATTACHMENTS

- 1.6.1 Use only Exmark riding attachments. The use of other than Exmark riding attachments may create a hazardous condition resulting in injury.

## 1.7 SAFETY SIGNS

- 1.7.1 Keep all safety signs legible. Remove all grease, dirt and debris from safety signs.
- 1.7.2 Safety signs must be replaced if they are missing or illegible.
- 1.7.3 When new components are installed, be sure that current safety signs are affixed to the replaced components.
- 1.7.4 New safety signs may be obtained from your authorized Exmark equipment dealer or distributor or from Exmark Mfg. Co. Inc.
- 1.7.5 Safety signs may be affixed by peeling off the backing to expose the adhesive surface. Apply only to a clean, dry surface. Smooth to remove any air bubbles.
- 1.7.6 Familiarize yourself with the following safety signs and instruction labels. They are critical to the safe operation of your Exmark commercial mower.



14 HP Kawasaki, Briggs & Stratton, & 15HP Kohler – All Serial Nos.  
 Serial Nos. 150,000-189,999: 17 HP Kawasaki  
 PART NO. 103-0169  
 LOCATION: Console

14 HP Kawasaki & 15HP Kohler  
 PART NO. 1-323689  
 LOCATION: RH Side of  
 Console

**ROTATE** CUTTER BLADES  
**STOP**

**DANGER**

- Engines produce Carbon Monoxide which is an odorless Deadly Poison
- Do NOT operate in an enclosed area
- Avoid blades unless blades and engine are stopped
- Thrown Objects or Blade Contact can cause Serious Injury or Death
- Keep all people out of area when mowing
- Use extreme caution when operating on slopes
- Mow Across Slope - NEVER Up and Down
- Do NOT operate on slopes greater than 20°
- Watch for ditches, holes, rocks, rises, dips
- Look behind you before backing
- Drive slower on slopes
- Execute turns slowly
- Do NOT mow wet slopes
- Avoid sudden starts

**CAUTION**

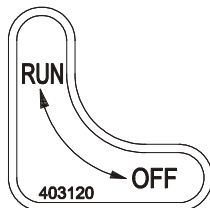
- Read operator's manual before operating
- KEEP ALL SHIELDS AND GUARDS IN PLACE.
- KEEP RIDERS OFF.
- Before starting engine:
  - Blade clutch must be disengaged
  - Transmission must be in neutral
  - Lock left and right drive levers in park brake position using neutral lock levers
- Before leaving operator's position:
  - Lock left and right drive levers in park brake position using neutral lock levers
  - Disengage blade clutch
  - Shift transmission to neutral
- Clear area of people, pets and debris before Mowing
- Do NOT operate mower unless grass catcher or discharge deflector is in place
- Shut off engine and remove key before adjusting, servicing or cleaning
- Do NOT park on slopes unless drive levers are locked in the park brake position
- Hearing protection recommended

103-0168

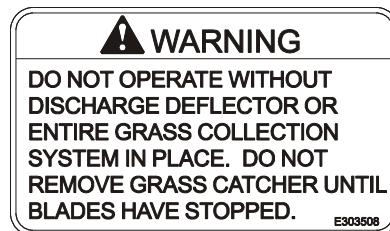
Serial Nos. 190,000 & Higher 15 & 17 HP Kawasaki  
PART NO. 103-0168  
LOCATION: Console



15 & 17 HP Kawasaki  
PART NO. 1-323691  
LOCATION: RH Side of Console



17HP Kawasaki & 16HP B&S  
Serial Nos. 150,000-189,999  
PART NO. 1-403120  
LOCATION: On Switch Bracket at Front Left of Fuel Tank Support



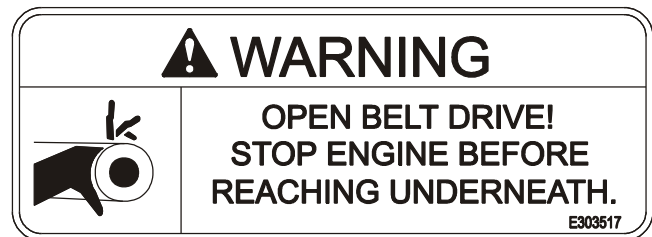
PART NO. 1-303508  
LOCATION: Front of Mower Deck, Top Surface



PART NO. 1-403005  
LOCATION: RH & LH Corners of Mower Deck



PART NO. 1-403143  
LOCATION: RH Side of Rear Surface of Engine Deck



PART NO. 1-303517  
LOCATION: LH Side of Rear Surface of Mower Deck



PART NO. 1-303518  
LOCATION: Transmission Shifter Plate



PART NO. 1-303293  
LOCATION: On Top RH Side of Fuel Tank

**WARNING**

DISENGAGE BLADE CLUTCH, SHUT OFF ENGINE AND REMOVE KEY BEFORE MAKING ADJUSTMENTS, SERVICING OR CLEANING DECK

**ANTI-SCALP ROLLER ADJUSTMENT**

FOR NORMAL OPERATING CONDITIONS, PLACE ROLLERS IN POSITIONS SHOWN FOR 3/4" (19) GROUND CLEARANCE.

CUTTING HEIGHT INCHES(MM)

2.0(51)  
2.5(64)  
3.0(76)  
3.5(90)

FOR MAXIMUM FLOTATION, ROLLERS MAY BE POSITIONED LOWER, BUT MUST MAINTAIN A MINIMUM OF 1/4" GROUND CLEARANCE. NEVER POSITION THE ROLLERS TO SUPPORT MOWER DECK.

553049

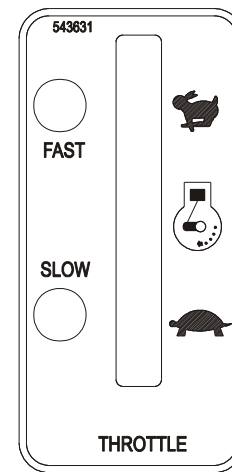
**CUTTING HEIGHT ADJUSTMENT**

DECK SUPPORT PIN

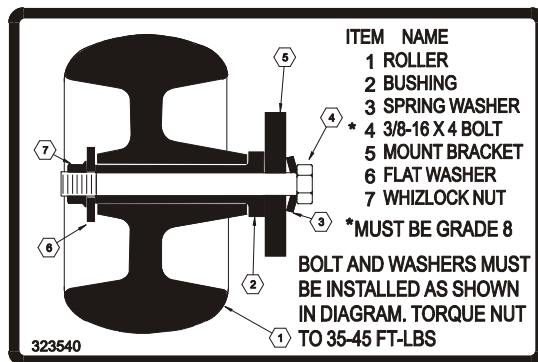
CUTTING HEIGHT INCHES (MM)

1.5(38)  
2.0(51)  
2.5(64)  
3.0(76)  
3.5(90)  
4.0(102)  
4.5(114)

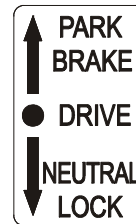
PART NO. 1-553049  
LOCATION: Front of Mower Deck Top Surface



16 HP Briggs & Stratton  
PART NO. 1-543631  
LOCATION: RH Side Console



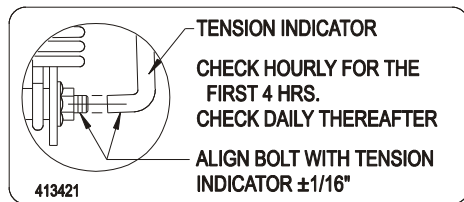
PART NO. 1-323540  
LOCATION: Front of Mower Deck Top Surface



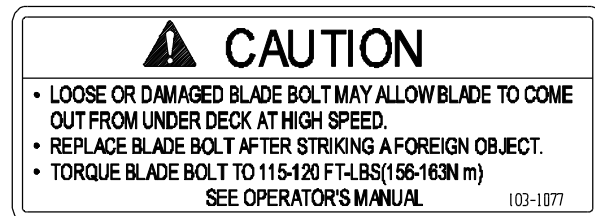
PART NO. 1-323550  
LOCATION: Upper Handle



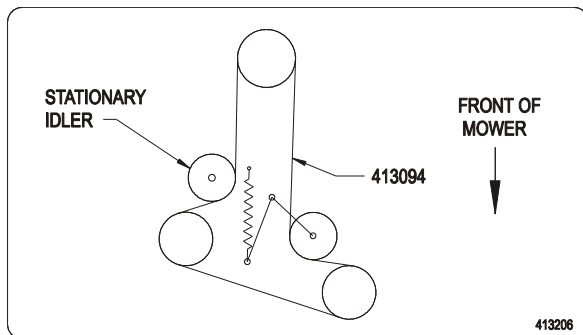
PART NO. 1-513746  
LOCATION: On Engine Blower Housing next to Muffler & on Center Belt Cover



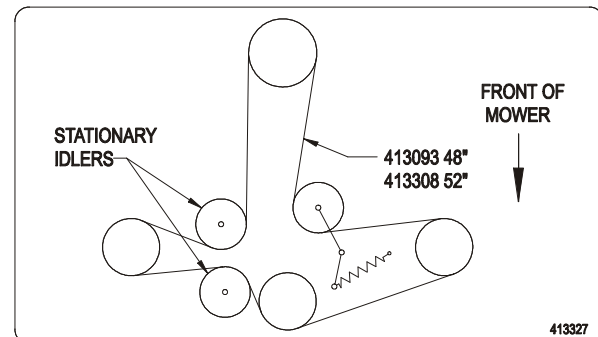
PART NO. 1-413421  
LOCATION: Left Rear on Top of Engine Deck



PART NO. 103-1077  
LOCATION: On Top LH Side of Mower Deck



PART NO. 1-413206  
LOCATION: Top of Cutter Deck, Under Center Belt Shield (36")



PART NO. 1-413327  
LOCATION: Top of Cutter Deck, Under Belt Shield (48" & 52" Decks)

## 2. SPECIFICATIONS

### 2.1 MODEL NUMBER:

- Serial Nos. 150,000 – 189,999:** MHP4816BV; MHP5216BV
- Serial Nos. 150,000 – 219,999:** MHP3614KA; MHP4814KA
- Serial Nos. 150,000 – 259,999:** MHP3615KC; MHP4815KC
- Serial Nos. 160,000 – 259,999:** MHP5217KA
- Serial Nos. 160,000 & Higher:** MHP4817KA
- Serial Nos. 190,000 & Higher:** MHP4815KA
- Serial Nos. 220,000 & Higher:** MHP3615KA

### 2.2 ENGINE

- 2.2.1 Engine Specifications: See your Engine Owner's Manual.
- 2.2.2 3600 RPM (No Load).

### 2.3 FUEL SYSTEM

- 2.3.1 Capacity: 5.0 gal.(18.9 L.)
- 2.3.2 Type of Fuel: Regular **unleaded** gasoline, 87 octane or higher. In countries using the research method, it should be a 90 octane *minimum*.
- 2.3.3 Fuel Filter: Replaceable in-line
- 2.3.4 Fuel Shut-Off Valve: 1/4 turn

### 2.4 SAFETY INTERLOCK SYSTEM

Operator must have transmission in neutral and blade clutch disengaged to start engine. Release of OPC levers will cause the engine to stop if *transmission is **not** in neutral and/or blade clutch is **engaged**.*

### 2.5 STEERING/BRAKE CONTROL:

Fingertip drive control levers provide independent speed control, braking and neutral to each drive wheel for moving, stopping and power turning. Parking brakes are engaged by locking drive control levers in the “brake” position.

### 2.6 TRANSMISSION:

- 2.6.1 Peerless 700-061, five speeds forward and one reverse.
- 2.6.2 Speed Range:
  - 1<sup>st</sup> 2.0 mph (3.22 km/h) 4<sup>th</sup> 4.1 mph (6.60 km/h)
  - 2<sup>nd</sup> 2.7 mph (4.35 km/h) 5<sup>th</sup> 6.2 mph (9.98 km/h)
  - 3<sup>rd</sup> 3.5 mph (5.63 km/h) Rev. 3.1 mph (4.99 km/h)

### 2.7 WHEEL DRIVE SYSTEM:

Banded double A-Section V-Belts, single top side idlers and replaceable bolt-on drive sheaves and brake drums.

### 2.8 TIRES

	<u>Drive</u>	<u>Front Caster</u>
Size 16 x 6.50-8.....	9 x 3.50-4	
Quantity .....	2	2
Tread .....	Turf Saver/Turf Master	Smooth
Ply Rating .....	4	4
Pressure .....	14 psi(97 kPa)	22 psi(152 kPa)

### 2.9 Deck

- 2.9.1 Cutting Width:
  - Model 36 in. ....35.25 in. (89.5 cm)
  - Model 48 in. ....47.25 in. (120.0 cm)
  - Model 52 in. ....52.00 in. (132.1 cm)

- 2.9.2 Discharge: Right Side
- 2.9.3 Blade Size:
  - Model 36 in. .... 18.00 in. (45.7 cm) ..... Qty. 2
  - Model 48 in. .... 16.25 in. (41.3 cm) ..... Qty. 3
  - Model 52 in. .... 18.00 in. (45.7 cm) ..... Qty. 3
- 2.9.4 Type of Drive: Manual engagement of belt with over-center lock. Belt tension is adjustable via turnbuckle.
- 2.9.5 Deck Mounting: Full floating deck is attached to out-front support frame, removable for service.
- 2.9.6 Cutting Height: Adjusts in 1/2" (.63 cm) increments from 1.5" (3.8 cm) to 4 1/2" (11.4 cm).

## 2.10 DIMENSIONS

2.10.1 Overall Width:	36"	48"	52"
<b>Discharge chute down</b>	46.25" (117.5 cm)	58.25" (148.0 cm)	62.6" (159.0 cm)
<b>Discharge chute up (Transport only)</b>	36.1" (91.7 cm)	48.1" (122.2 cm)	53.0" (134.62 cm)
2.10.2 Overall Length:	36"	48"	52"
<b>Overall Length</b>	77.7" (197 cm)	73.7" (187 cm)	75.9" (193 cm)
2.10.3 Curb Weight:	36"	48"	52"
<b>Curb Weight*</b>	507 lbs. (230 kg)	555 lbs. (252 kg)	583 lbs. (264 kg)

\* Weights will vary slightly depending on engine option.

- 2.10.4 Overall Height: 42" (107 cm)(all units)
- 2.10.5 Tread Width (to outside of tires):
  - 36" Model ..... 35.2" (89.4 cm)
  - 48" Model ..... 35.2" (89.4 cm)
  - 52" Model ..... 35.2" (89.4 cm)

## 2.11 TORQUE REQUIREMENTS

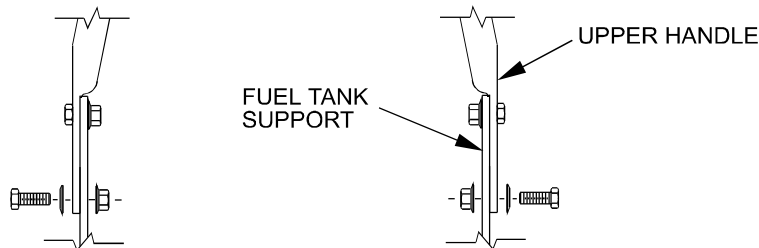
<u>BOLT LOCATION</u>	<u>TORQUE</u>
Blade Mounting Bolt.....	115-120 ft-lbs.
Cutter Housing Spindle Nut .....	75-80 ft-lbs.
Anti-Scalp Roller Bolts .....	40-45 ft-lbs.
Mower Deck Support/Engine Deck Mount .....	30-35 ft-lbs.
Engine Mounting Bolts	
Briggs & Stratton & 15 & 17 HP Kawasaki.....	15-20 ft-lbs.
Kohler & 14 HP Kawasaki.....	25-30 ft-lbs.
Transmission Shifter-lever Nut .....	30-35 ft-lbs.

## 3. ASSEMBLY INSTRUCTIONS

- 3.1 Uncrate unit, and remove upper handle assembly, fuel tank, and linkages from top of crate.
- 3.2 Remove and open the bolt bag.
- 3.3 Loosen the 5/16" hardware at the two (2) discharge deflector hinge points so that the deflector is snug, but can be moved up and down freely.
- 3.4 Refer to Parts Manual to help you identify and locate parts and their proper position.
- 3.5 Apply retaining adhesive "Fel-Pro Retaining I or Retaining II" or "Loctite RC609 or 680" on the two threaded studs from the bolt bag and install into the two left

holes underneath fuel tank. Install the fuel tank on top of the fuel tank support with the studs going through the slots in the support. Install two 5/16-18 x 3/4" screws with a 5/16" SAE flatwasher and 5/16" lockwasher into the threaded holes in the right side of the fuel tank. **Do not over tighten.** Place a 5/16" SAE flatwasher, then a spring, over each of the studs and fasten with a 5/16 nyloc nut. Tighten 3/16 nylock nut fully then cack off a 1/2 turn. This is to allow for normal fuel tank expansion with changes in temperature and fuel levels.

- 3.6 Attach the fuel tank hose to the tank fitting and secure with the clamp provided. Make sure that fuel hose is not between engine and throttle plate on engine.
- 3.7 Position the lower end of the handle assembly on the outside of the upper rear section of the fuel tank & handle support. Install four 3/8-16 x 1" bolts (with four spring disk washers against the head of each bolt) from the outside in. Secure using four 3/8" whizlock nuts on the inside of each handle support and tighten until the spring disk washers are flat (See Figure 1).



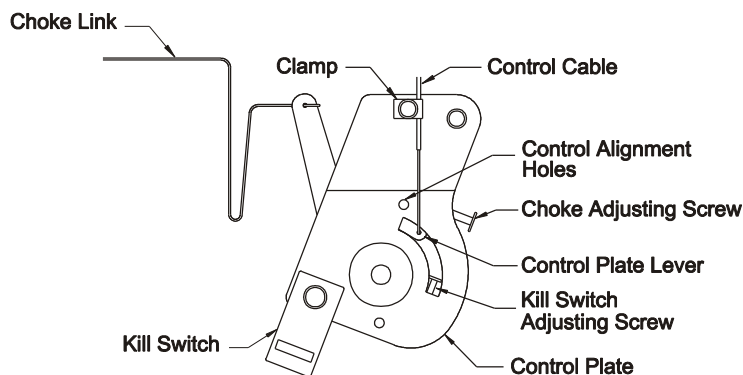
**FIG. 1**  
**UPPER HANDLE MOUNTING**

- 3.8 Route the throttle cable along the right side of the upper handle, under the fuel tank support, and position the cable on the **left** side of the engine (**Kaw & Kohler**) or to the **right side** of engine (**B&S**).

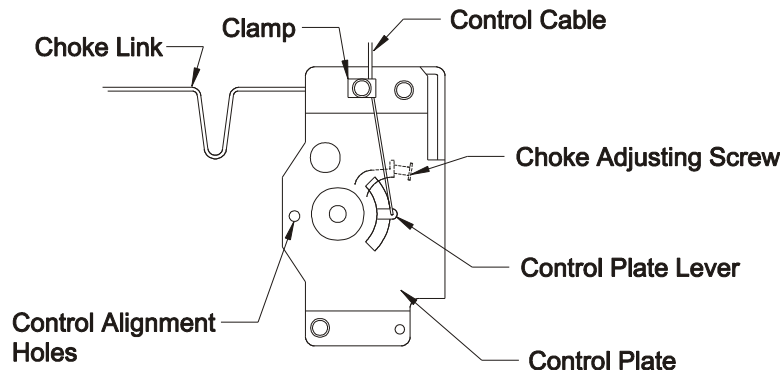
Attach throttle cable to engine:

**For Kohler and Kawasaki engines with "positive" detents in throttle cable for the full throttle and idle positions.**

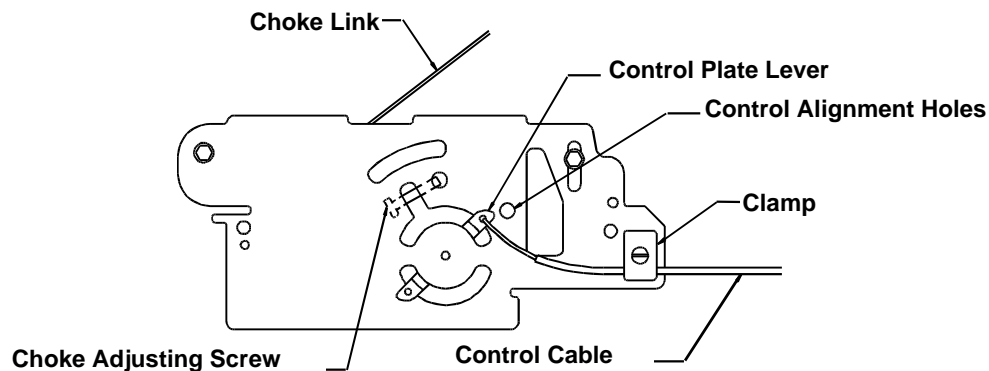
- a) Position the throttle control lever (on console) in the full throttle (but not choke) position. You will feel a detent when the throttle lever is approximately 3/4" from the upper end of the slot (this is full throttle position).
- b) Loosen clamp on engine control plate (See Figures 2, 3 & 4). Attach inner wire of the throttle cable to the control plate lever and position cable clamp, **do not** tighten clamp.



**FIG 2**  
**KOHLER SPEED CONTROL**  
**(THROTTLE CABLE HOOK-UP)**



**FIG 3**  
**14 HP KAWASAKI SPEED CONTROL**  
**(THROTTLE CABLE HOOK-UP)**



**FIG 4**  
**15 & 17 HP KAWASAKI SPEED CONTROL**  
**(THROTTLE CABLE HOOK-UP)**

- c) Pull cable upward (pull the cable to the right when facing the control plate on 15 & 17 HP Kawasaki units) until alignment holes in control plate lever and control plate line up. For Kawasaki 15/64" (6mm) drill bit can be inserted through these two holes to align them. For Kohler use a 19/64" drill bit. Once the holes are aligned, tighten clamp onto throttle cable.
- d) Be sure the **choke adjusting screw just contacts the choke lever** when the throttle control is in the full throttle position. Choke link should not move when throttle control is moved to the full throttle position. Choke must be completely closed when throttle lever is moved to the full forward "CHOKE" position.
- e) This step needs to be done after the **unit has been assembled and the engine has been started**. Refer to Section 4. (Operation Instructions).

**For Kohler and 14 HP Kawasaki engines:**

Check the engine "STOP" position by moving the throttle control fully to the rear. (Note: There is a detent toward the lower end of the slot in the console for "IDLE"; the "STOP" position is rearward from this detent).

**For Kohler engines:**

If the engine continues to run in the "STOP" position, turn the kill switch adjusting screw inward until engine stops, then give it an additional 1/2 to 3/4 turn to assure it will always function properly.

(The 14 HP Kawasaki kill switch is not adjustable).



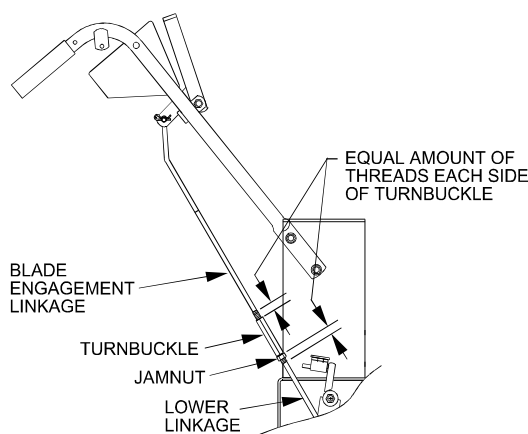
**For 15 & 17 HP Kawasaki engines:**

There is not a "STOP" position. The engine will continue to run when the throttle control is moved past the rear detent.

Turn the ignition switch to the "off" position to stop the engine.

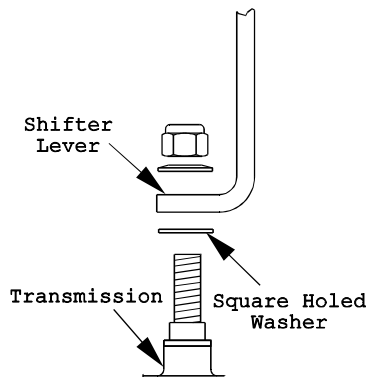
**For B&S Vanguard Engines:**

- a) Position the throttle control lever (on console) 1/8" from the upper end of the slot. Route the throttle cable along the right side of the upper handle, under the fuel tank support, and position the cable on the **right** side of the engine between the oil fill tube and engine.
  - b) Attach the inner wire to the appropriate throttle control lever on the engine. Loosen the cable clamp on the engine, place the cable behind it and pull up on the cable to move the throttle linkage to the **full throttle** position. Tighten the cable clamp screw.
- 3.9 Connect the blade engagement linkages. Loosen jamnut and remove turnbuckle from lower linkage. Screw turnbuckle onto both upper and lower linkages simultaneously. (See figure 5) Note that the threads on upper linkage are left hand. See 5.2.2 for linkage adjustment.

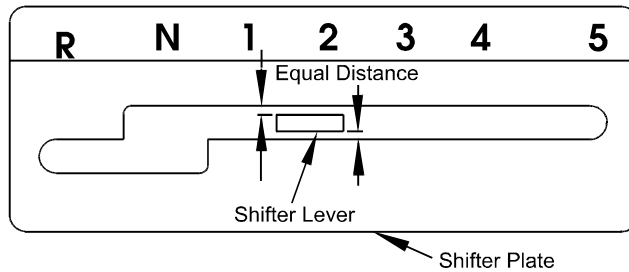


**FIG 5  
BLADE ENGAGEMENT LINKAGE**

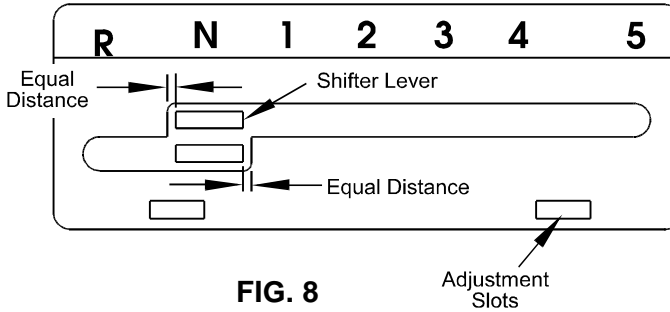
- 3.10 Install and adjust shifter lever.
- a) Remove the 3/8" nyloc nut and spring disc washer from the stud on top of the transmission. Install the shifter lever through slot in shifter lever plate and onto the stud on top of transmission. Be sure the square-hole washer remains between the lever and transmission. Replace the spring disc washer and nyloc nut(see figure 6). Torque the 3/8" nut to 35ft. lbs. (47N.M).
  - b) Shift lever to second gear and check alignment of lever in slot of shifter plate. Clearance between top of lever and the top of the slot should be about equal to the clearance between bottom of the lever and the bottom of the slot (See figure 7). If it is not, remove lever and bend it slightly to adjust. **DO NOT** Bend lever while it is attached to transmission. Reinstall lever and tighten hardware.
  - c) Shift to neutral position. Lever Should not contact the left edged of the upper slot. Push lever down. Lever should not contact the right edge of the bottom slot (See Figure 8). Shifter plate can be adjusted side to side to adjust position of lever relative to the slot in plate. Loosen the two bolts securing the shifter plate to the shifter lever legs. Adjust shifter plate and retighten bolts.



**FIG. 6**  
**SHIFTER LEVER TO TRANSMISSION**



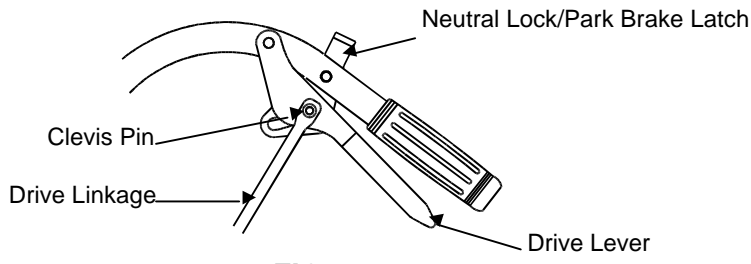
**FIG. 7**  
**THIS CLEARANCE SHOULD BE EQUAL**



**FIG. 8**  
**THIS CLEARANCE SHOULD BE EQUAL**

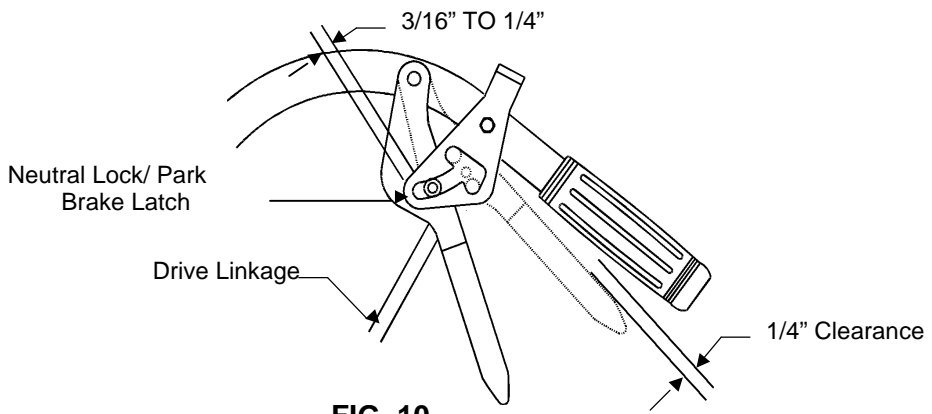
3.11 Install and adjust wheel drive linkages.

- a) Screw threaded end of drive linkages into swivels in wheel drive idler arms.
- b) Insert clevis pin from bolt bag through drive linkage, lever and slot in the neutral lock/park brake latches (See Figure 9). Make proper adjustments before adding hairpins.



**FIG. 9**  
**LEVER AND ROD ADJUSTMENT**

- c) Adjust drive linkage length by threading into or out of the swivel until there is a 3/16" to 1/4" clearance between the linkage assembly and the bottom of the slot in the neutral lock/park brake latch. (See Figure 10)



**FIG. 10**  
**NEUTRAL LOCK LEVER CLEARANCE**

Note: Neutral lock/park brake latch clearance should be checked when there is a slight upward force placed on the drive levers to remove any "slack" in the linkage.

After clevis pin has been inserted, install hairpin into hole on the clevis pin between the neutral lock/park brake latch and drive lever (See Figure 11). Repeat procedure on opposite side of unit.

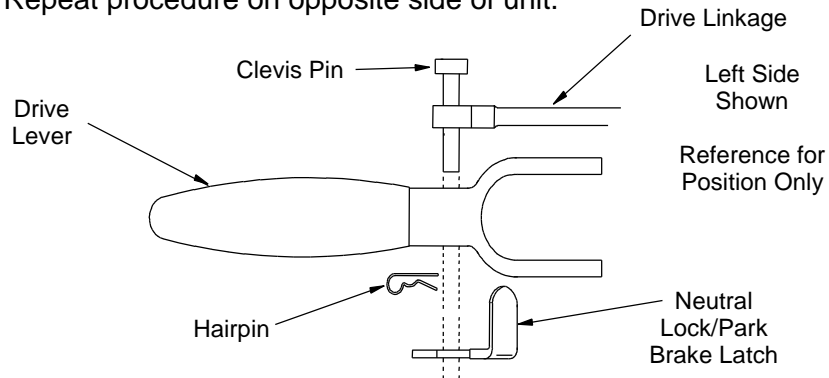


FIG. 11

### DRIVE LEVER HARDWARE LOCATION

- d) Adjust brakes by adjusting wingnut on upper end of each brake rod so that when brakes are engaged there is approximately 1/4" of clearance between ends of drive levers and handle grips (See Figure 10)  
Note: Adjustment should allow the brakes to be engaged, yet allow the neutral lock/park brake latches to be moved into the park brake position, if not the brake linkages must be adjusted again.
- e) Squeeze the drive levers and move both neutral lock/park brake latches into the neutral lock position. Mower should move forward and backward freely, if not, readjust as stated in Sections 3.11c and 3.11d.

- 3.12 Route the long unattached wiring harness lead, up the left hand side of the handle and connect the two terminals (in any order) to the operator presence control switch terminals underneath the control console.

Fasten the lead to the handle with two small wire ties from the bolt bag, one at the upper end of the handle next to the console, and one at the very lower end of the handle where it attaches to the fuel tank support.

- 3.13 If machine is shipped without muffler installed, install muffler with hardware provided.
- 3.14 For Briggs and Stratton Engines install debris guard to top of engine.
- 3.15 Service Engine: Refer to Engine Owner's Manual.
- 3.16 **GREASE UNIT: NOTE: UNIT IS NOT GREASED AT THE FACTORY.** Refer to 5.1.13, for locations and grease amounts.
- 3.17 Follow pre-start instructions as outlined in 4.2.
- 3.18 Perform any needed adjustments as outlined in the Adjustment Section.

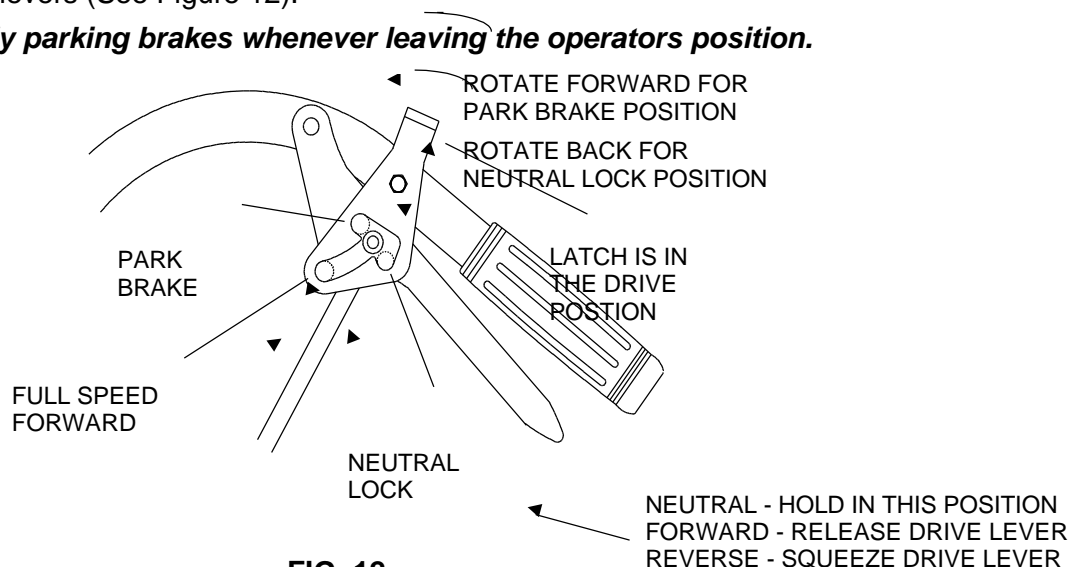
## 4. OPERATION INSTRUCTIONS

### 4.1 Controls

- 4.1.1 Operator Presence Control (OPC) Levers: Located on the upper handle assembly directly above the handle grips. **When these levers are depressed, the OPC system senses that the operator is in the normal operator's position. When the levers are released, the OPC system senses that the operator has moved from the normal operating position** and will kill the engine if either the transmission shift lever is **not in the neutral** position or the **blade clutch is engaged**.

- 4.1.2 **Drive Levers:** Located on each side of the upper handle assembly directly below the handle grips. These levers individually control the clutching action of the wheel drive belts and brakes. When the drive levers are all of the way down, the wheel drive belts engage and the brakes disengage. Squeezing the left or right hand drive lever causes the left hand or right hand wheel to slow down or stop, which makes the machine turn to the left or right respectively. The sharpness of the turn varies by how much the lever is squeezed. If both levers are squeezed all the way back, both brakes will engage and the machine will stop. For straight ahead motion, smoothly release both drive levers to engage both drive wheels simultaneously.
- 4.1.3 **Neutral Lock/Parking Brake Latch:** Located directly above the drive levers. The purpose of these latches is to allow the operator to lock the drive levers in a "neutral" position where neither the wheel drive belts nor the brakes engage, or in a "park brake" position where the wheel drive belts are not engaged and the park brake is engaged. To lock the drive levers in "neutral", squeeze the drive levers back, place thumbs on the upper portion of the neutral lock/park brake latches and move them to the rear. Release drive levers. To lock the levers in "park brake", squeeze the drive levers back, place thumb on the upper portion of the neutral lock/park brake latches and move them ahead. Release drive levers (See Figure 12).

**Apply parking brakes whenever leaving the operators position.**



**FIG. 12**


### **DRIVE LEVER, NEUTRAL LOCK/PARK BRAKE LATCH OPERATION**

- 4.1.4 **Blade Engagement:** Located on the left side of the upper handle.
- To engage the blades, push the lever forward, or away from the operator, until the linkage locks over-center.
- To disengage the blades, pull the lever to the rear, or towards the operator.
- 4.1.5 **Choke Control:** Choke is used to aid in starting a cold engine.
- On the B&S engine the choke control is located on the left hand, front corner of the engine and is activated by pulling the control outward. On Kawasaki and Kohler engines, the choke is part of the throttle control lever and is activated by moving the throttle control to the full forward position.
- Once the engine has started move the choke control to the off position and move the throttle to the medium or full throttle position.


- 4.1.6 **Throttle Control:** Located on the control console's right side. The throttle is used to control engine speed. Moving the throttle control forward will increase engine speed and moving it to the rear will decrease engine speed. All Kohler and 14 HP Kawasaki units are equipped with throttle kill as a standard feature. Moving the throttle to the full rear "Stop" position will shut off the engine (B&S and 15 & 17 HP Kawasaki units use a key switch to shut off engine).
- 4.1.7 **"Off-Run" Switch (B&S and 15 & 17 HP Kawasaki only):** Located on the console (Serial No.s 190,000 and higher) or front, left corner of the fuel tank support (Serial No.s 150,000-189,999). Turn key to the "Run" position to allow the engine to be started. Turn key to the "Off" position to shut engine off.
- 4.1.8 **Fuel Shut-Off Valve:** Installed in the fuel line midway between the tank and the engine. The fuel shut-off valve is used to shut off the flow of fuel when parking inside a building, during transportation to and from the job sites, and when the machine will not be used for a few days. Rotate valve 1/4 turn clockwise to shut fuel off. Rotate valve 1/4 turn counter-clockwise to turn fuel on.
- 4.1.9 **Transmission Shift Lever:**  
 Located under the control console and behind the fuel tank. It shifts the 5-speed transmission into five forward gears, neutral and reverse. Shift transmission only when drive levers are in the **neutral** position. Shifting without drive levers in neutral may cause damage to the transmission.

**NOTE: Reverse is "reverse assist" only, meaning when the transmission is in reverse, the operator has to pull the unit backward to "assist" with the movement of the unit.**

## 4.2 Pre-Start

 <b>DANGER</b>
<b>POTENTIAL HAZARD</b> <ul style="list-style-type: none"> <li>◆ In certain conditions gasoline is extremely flammable and highly explosive.</li> </ul>
<b>WHAT CAN HAPPEN</b> <ul style="list-style-type: none"> <li>◆ A fire or explosion from gasoline can burn you, others, and cause property damage.</li> </ul>
<b>HOW TO AVOID THE HAZARD</b> <ul style="list-style-type: none"> <li>◆ <i>DO NOT</i> smoke while refueling, and stay away from an open flame or where gasoline fumes may be ignited by spark.</li> <li>◆ Refuel only in a well ventilated area, or refuel outdoors.</li> <li>◆ Store gasoline in an approved container and keep it out of the reach of children.</li> <li>◆ Add fuel before starting the engine. <i>Never</i> remove the cap of the fuel tank or add fuel when engine is running or when the engine is hot.</li> <li>◆ <i>Never</i> fill the fuel tank so that the gasoline level rises above a level that is 1/2" below the bottom of the filler neck to allow for gasoline expansion and prevent fuel spillage.</li> <li>◆ If fuel is spilled, <i>DO NOT</i> attempt to start the engine. Move away from the area of the spill and avoid creating any source of ignition until fuel vapors have dissipated.</li> </ul>

- 4.2.1 Fill fuel tank. For best results use only clean fresh regular grade **unleaded** gasoline with an octane rating of 87 or higher. Regular grade leaded gasoline may also be used; however, combustion chamber and cylinder head will require more frequent service. See Engine Owner's Manual. Do not add oil to gasoline.

 <b>DANGER</b>
<b>POTENTIAL HAZARD</b> <ul style="list-style-type: none"><li>◆ In certain conditions gasoline is extremely flammable and highly explosive.</li></ul>
<b>WHAT CAN HAPPEN</b> <ul style="list-style-type: none"><li>◆ A static charge can ignite gasoline vapors. A fire or explosion from gasoline can burn you, others, and cause property damage.</li></ul>
<b>HOW TO AVOID THE HAZARD</b> <ul style="list-style-type: none"><li>◆ Purchase and store gasoline only in an approved container.</li><li>◆ Always place gasoline containers on the ground away from your vehicle before filling.</li><li>◆ Do not fill gasoline containers inside a vehicle or on a truck or trailer bed because interior carpets or plastic truck bed liners may insulate the container and slow the loss of any static charge.</li><li>◆ When practical, remove gas-powered equipment from the truck or trailer and refuel the equipment with its wheels on the ground.</li><li>◆ If this is not possible, then refuel such equipment on a truck or trailer from a portable container, rather than from a gasoline dispenser nozzle.</li><li>◆ If a gasoline dispenser nozzle must be used, keep the nozzle in contact with the rim of the fuel tank or container opening at all times until fueling is complete.</li></ul>

4.2.2 Refer to Maintenance and Adjustment Section 5 and perform all of the necessary inspection and maintenance steps.

4.2.3 Familiarize yourself with the controls and operation of unit.  
See Controls section 4.1 and Operating Instructions section 4.3.


### 4.3 OPERATING INSTRUCTIONS

4.3.1 Refer to Engine Owner's Manual for detailed operating instructions regarding the engine.

4.3.2 Starting Engine: Operator must have **blade drive disengaged** and **transmission in neutral**.

**Open** fuel shut-off valve.

**NOTE: Always engage the left and right neutral lock/park brake latches in the "park brake" position when starting the engine (See Section 4.1.3).**

 <b>WARNING</b>
<b>POTENTIAL HAZARD</b> <ul style="list-style-type: none"><li>◆ Engine exhaust contains carbon monoxide, which is an odorless deadly poison.</li></ul>
<b>WHAT CAN HAPPEN</b> <ul style="list-style-type: none"><li>◆ Carbon monoxide can kill you and is also known to the State of California to cause birth defects.</li></ul>
<b>HOW TO AVOID THE HAZARD</b> <ul style="list-style-type: none"><li>◆ Do not run engine indoors or in a small confined area where dangerous carbon monoxide fumes can collect.</li></ul>

For Kohler and Kawasaki engines:

On a cold engine, place the throttle in the full forward “Choke” position. For a 15 & 17 HP Kawasaki engine turn key to “Run” position. Pull recoil rope to start engine.

With a cold engine, gradually return choke to the full throttle position after the engine starts and warms up.

On a warm engine, place the throttle control **midway** between the “Slow” and “Fast” positions.

**NOTE: Kawasaki engines generally need to be “choked” even when warm.**

For B&S engines:

Turn key to the “Run” position.

On a cold engine, place the throttle in the full forward position, and pull the choke control, on the engine, fully outward to the engaged position. Pull recoil rope to start engine. With a cold engine, gradually return choke to the full throttle position after the engine starts and warms up.

On a warm engine, place the throttle control **midway** between the “Slow” and “Fast” positions. **DO NOT** choke B&S when warm.

- 4.3.3 Stopping Engine: Disengage blade drive, position speed control lever in neutral and lock the drive levers in the “park brake” position. Move throttle to the “Slow” position. Allow engine to idle for 30 seconds to allow cool down.

For 14 HP Kawasaki and Kohler engines; after cool down time, move throttle lever to the full rear (“Stop”) position. For B&S and 15 & 17 HP Kawasaki engines; After cool down time, move the throttle to the “midway” position. Turn key to the “Off” position and remove key.

- 4.3.4 Drive Lever/Neutral Lock/Park Brake Latch Operation: To lock the drive levers in neutral, squeeze the drive levers back to the “neutral” position. Place thumbs on the upper portion of the neutral lock/park brake latches and move them to the rear. Release drive levers (See Figure 12).

To lock the drive levers in “park brake”, squeeze the drive levers back to brake position. Place thumbs on the upper portion of the neutral lock/park brake latches and move them to the front. Release drive levers. (See Figure 12)

 **CAUTION**

POTENTIAL HAZARD

- ◆ If the neutral lock latches are not completely engaged the drive levers could unexpectedly slip into the forward drive position.

WHAT CAN HAPPEN

- ◆ If the drive levers slip into the drive position, the unit could lurch forward and cause injury or property damage.

HOW TO AVOID THE HAZARD

- ◆ Be sure the pins protruding through the slots of each neutral lock latch are completely engaged in the rear slot of each latch.

To place the drive levers in the drive position, firmly hold the drive levers, place thumbs on the upper portion of the neutral lock/park brake latches and move them out of either the “neutral” or “park brake” position to release drive levers.


**Carefully** release the drive levers.

- 4.3.5 Drive Wheel Engagement and Turning: With drive levers in “neutral” or “park brake” position, shift transmission into desired gear. Squeeze both drive levers and move both neutral lock/park brake latches from the “neutral” or “park brake” position.

For straight ahead motion, smoothly release both drive levers to engage drive wheels.

Squeeze the right hand drive lever to turn right and the left hand drive lever to turn left (See Section 4.1.2).

- 4.3.6 To Stop: Squeeze drive levers back to engage brakes. Move neutral lock/park brake latches into the “park brake” position and release drive levers. Shift transmission to neutral.

 <b>DANGER</b>
<b>POTENTIAL HAZARD</b> <ul style="list-style-type: none"><li>◆ The rotating blades under the mower deck are dangerous.</li></ul>
<b>WHAT CAN HAPPEN</b> <ul style="list-style-type: none"><li>◆ Blade contact can cause serious injury or kill you.</li></ul>
<b>HOW TO AVOID THE HAZARD</b> <ul style="list-style-type: none"><li>◆ <i>DO NOT</i> put hands or feet under the mower or mower deck when the blades are engaged.</li></ul>

- 4.3.7 Blade Engagement: Be sure that all persons are clear of mower deck and discharge area before engaging the blades. Set throttle to “midway” position. Push the blade engagement arm forward and down to engage blades. Accelerate to full throttle to begin mowing (See Section 4.1.4).


- 4.3.8 Blade Disengagement: Pull upward and back completely on the blade engagement arm to disengage the blades. (See Section 4.1.4)

- 4.3.9 Changing Gears

When changing gears, **always** squeeze drive levers and/or engage neutral lock latches or park brakes. The shift lever may be moved with a knee or by hand.

**NOTE: Reverse gear is reverse assist only, the operator must pull the unit backwards.**

## 4.4 TRANSPORTING

 <b>WARNING</b>
<b>POTENTIAL HAZARD</b> <ul style="list-style-type: none"><li>◆ Loading the mower onto a trailer without strong enough or properly supported ramps could be dangerous.</li></ul>
<b>WHAT CAN HAPPEN</b> <ul style="list-style-type: none"><li>◆ The ramps could collapse causing the unit to fall, which could cause injury.</li></ul>
<b>HOW TO AVOID THE HAZARD</b> <ul style="list-style-type: none"><li>◆ Use proper ramps that are secured to the truck or trailer.</li><li>◆ Keep feet and legs out from under the unit when loading and unloading.</li><li>◆ If necessary, use assistance when loading.</li></ul>

Use a heavy duty trailer to transport the machine. Engage park brakes and block wheels. Securely fasten the machine to the trailer with straps, chains, cables or ropes.

***Do not rely solely on parking brake to hold machine on trailer.***


Use a safety chain and be sure that the trailer has all necessary lighting and marking as required by law.




## 5. MAINTENANCE & ADJUSTMENTS

### 5.1 PERIODIC MAINTENANCE

For B & S and 15 & 17 HP Kawasaki units

 <b>WARNING</b>
<b>POTENTIAL HAZARD</b> <ul style="list-style-type: none"><li>◆ If you leave the key in the ignition switch, someone could start the engine.</li></ul>
<b>WHAT CAN HAPPEN</b> <ul style="list-style-type: none"><li>◆ Accidental starting of the engine could seriously injure you or other bystanders.</li></ul>
<b>HOW TO AVOID THE HAZARD</b> <ul style="list-style-type: none"><li>◆ Remove the key from the ignition switch and pull the wire(s) off the spark plug(s) before you do any maintenance. Also push the wire(s) aside so it does not accidentally contact the spark plug(s).</li></ul>

 <b>WARNING</b>
<b>POTENTIAL HAZARD</b> <ul style="list-style-type: none"><li>◆ The engine can become very hot.</li></ul>
<b>WHAT CAN HAPPEN</b> <ul style="list-style-type: none"><li>◆ Touching a hot engine can cause severe burns.</li></ul>
<b>HOW TO AVOID THE HAZARD</b> <ul style="list-style-type: none"><li>◆ Allow the engine to cool completely before service or making repairs around the engine area.</li></ul>

#### 5.1.1 Check engine oil level.

Service Interval: **See Engine Owner's Manual**

- Make sure engine is stopped and on a level surface.
- Check with engine cool.
- Clean area around dipstick. Remove dipstick and wipe oil off. Reinsert the dipstick (**DO NOT** screw into place for Kohler and Kawasaki engines; **DO** screw into place for B&S engines). Remove dipstick and check oil level.
- If the oil level is low, add oil as specified in the Engine Owner's Manual to bring the oil level up to the "F" mark on the dipstick.

**DO NOT OVERFILL.**

**IMPORTANT: DO NOT operate the engine with oil level below the "L" mark or over the "F" mark.**

#### 5.1.2 Clean engine air cooling system.

Service Interval: **See Engine Owner's Manual**

- Stop engine and remove spark plug wire(s).
- Clean all debris from engine air intake screen and from around engine shrouding.

#### 5.1.3 Clean grass build-up under deck and check mower blades.

Service Interval: **Daily**



## CAUTION

### POTENTIAL HAZARD

- ◆ Raising the mower deck for service or maintenance relying solely on mechanical or hydraulic jacks could be dangerous.

### WHAT CAN HAPPEN

- ◆ The mechanical or hydraulic jacks may not be enough support or may malfunction allowing the unit to fall, which could cause injury.

### HOW TO AVOID THE HAZARD

- ◆ DO NOT rely solely on mechanical or hydraulic jacks for support. Use adequate jack stands or equivalent support.

- Disengage blade clutch.
- Stop engine and remove spark plug wire(s).
- Raise deck and block up using proper safety precautions.
- Clean out any grass build-up from underside of deck and in deck discharge chute.
- Inspect blades and sharpen or replace as required.
- If blade removal is necessary, be careful for the sharp cutting edges of the blades.
- Re-install the blades (if they were removed) and torque blade bolts to 115-120 ft. lbs. Be sure the spring disc washer cone is installed toward the bolt head (See Figure 13).



## CAUTION

### POTENTIAL HAZARD

- ◆ Operating a mower deck with loose or weakened blade bolts can be dangerous.

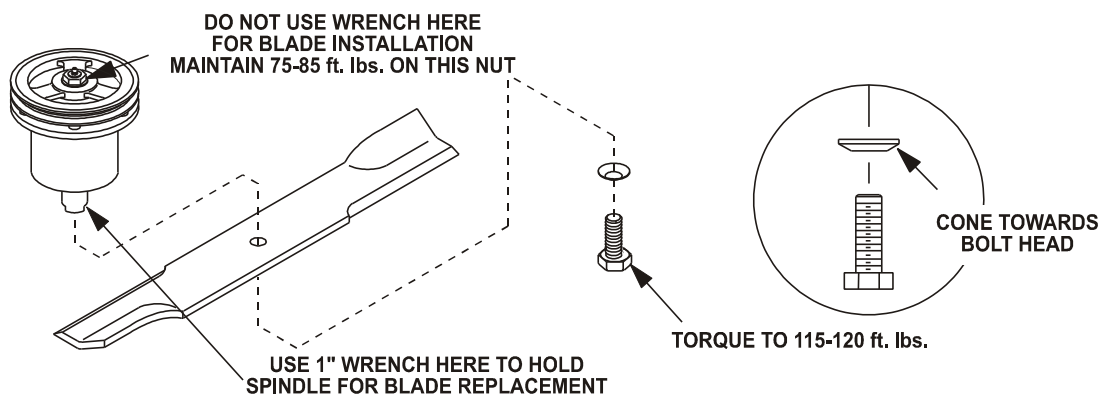
### WHAT CAN HAPPEN

- ◆ A loose or weakend blade bolt could allow a blade rotating at a high speed to come out from under the deck, causing serious injury or property damage.

### HOW TO AVOID THE HAZARD

- ◆ Replace the blade bolt after striking a foreign object. (Use only Exmark replacement parts PN 103-1026 - blade bolt and PN 1-513208 – spring disc washer).
- ◆ DO NOT lubricate the threads of the bolt or spindle before assembly.
- ◆ Torque the blade bolt to 115-120 ft. lbs.

- Remove jack stands (or equivalent support) and lower deck to ground.



**FIG. 13**

### **BLADE BOLT INSTALLATION**

#### **5.1.4 Check safety interlock system.**

Service Interval: **Daily**

- a) For your safety, your Exmark mower is equipped with Operator Presence Controls (OPC). When either the mower blades are engaged, or the transmission shift lever is not in neutral and both hands are removed from the handles, the mower engine **MUST stop**.

- b) Check OPC circuits. Clear the area. Run engine at one-third throttle, then with drive levers and neutral lock/park brake latches in "**park brake**" **position**, Shift the transmission into gear and release OPC levers – **engine MUST stop**.

Again, run engine at one-third throttle, move the transmission shifter lever to **neutral**, engage blade clutch and release OPC levers - **engine MUST stop**.

- c) If machine does not pass any of these tests, **DO NOT** operate. Contact your authorized **EXMARK SERVICE DEALER**.

**IMPORTANT: It is essential that all Operator Safety Mechanisms, be in place and in proper operating condition prior to mowing.**

#### **5.1.5 Check for loose hardware.**

Service Interval: **Daily**

- a) Stop engine and remove spark plug wire(s).
- b) Visually inspect machine for any loose hardware or any other possible problem. Tighten hardware or correct the problem before operating.

#### **5.1.6 Check Brake and Wheel Drive Linkage Adjustment**

Service Interval: **Daily**

Refer to Section 3.11. Note any bent linkage or hardware which may need servicing or replacing.

#### **5.1.7 Service pre-cleaner element and air cleaner.**

Service Interval: **See Engine Owner's Manual**

#### **5.1.8 Change engine oil.**

Service Interval: **See Engine Owner's Manual**

**NOTE: Change oil after first five (5) hours of operation. Follow engine manufacturers recommendations for future oil changes.**

- a) Disengage blade clutch.
- b) Stop engine and remove spark plug wire(s).

- c) Drain oil while engine is warm from operation.
- d) Remove the oil drain plug from the right hand side of the engine. Allow oil to drain, then replace drain plug.
- e) Replace the oil filter as per Engine Owner's Manual. Clean around oil filter and unscrew filter to remove. Before reinstalling new filter, apply a thin coating of oil on the surface of the rubber seal. Turn filter clockwise until rubber seal contacts the filter adapter then tighten filter an additional 2/3 to 3/4 turn.
- f) Clean around oil fill cap and remove cap. Fill to the specified capacity and replace cap. Use oil as specified in Engine Owners Manual. **Do not overfill.**
- g) Start the engine and check for leaks. Stop engine and recheck oil levels.

5.1.9 Check grease level, input and output shaft bearing wear on Peerless Transmission. (Replace gearbox grease yearly)

Service Interval: **160 hrs.**

- a) Stop engine and remove spark plug wire(s).
- b) Place drive levers and neutral lock/park brake latches in the neutral lock position.
- c) Remove shifter lever from top of transmission.
- d) Remove shifter plate from top of transmission and the two leads from the neutral start switch.
- e) Release the tension on the transmission belt.
- f) Check for side play caused by bearing wear on the input and out put shafts of the transmission. Replace bearings if necessary.
- g) Remove the six bolts that fasten the upper case to the lower case and carefully remove the upper case half.
- h) Check the grease level in the lower case. The grease level should be approximately 1-1/2" to 1-3/4" from the gearbox bottom. If necessary, fill to proper level with Peerless grease (Part No. 788067)
- i) Reinstall upper case half and fasten in place with six bolts previously removed.
- j) Reinstall all parts removed in Steps c and d. Install drive belt and adjust tension as stated in Section 5.2.5.

5.1.10 Check tire pressures.

Service Interval: **40 hrs.**

- a) Stop engine and remove spark plug wire(s). Check air pressure in tires; recommended tire pressure is: rear, 12 to 16 psi; pneumatic casters, 22 psi.
- b) Inflate tires to pressures stated above. Measure circumference of each drive tire. Adjust tire pressures within the above range to try to make tire circumferences match as closely as possible.

**NOTE: Front caster tires have permanent tire sealant installed.**

5.1.11 Inspect Belt wear.

Service Interval: **40 hrs.**

- a) Stop engine and remove spark plug wire(s).
- b) Remove deck support belt shield to check mower deck drive belt condition.
- c) Look under engine deck to check the transmission drive and clutching belt condition.

- d) Inspect wheel drive belt conditions
- e) Check all idler arms to be sure they pivot freely. Disassemble, clean and grease pivot bushings if necessary.

5.1.12 Inspect Blade Clutching Belt Tension.

Service Interval: **Check every 2 hrs. for first 8 hrs. operation then check every 40 hrs. thereafter.**

- a) Stop engine.
- b) Engage blade drive lever.
- c) Look through the round hole in the left rear corner of the engine deck to inspect blade clutching belt tension. Bolt on blade engagement linkage bellcrank and indicator arm should align within 1/16" (See fig. 15). Refer to section 5.2.2 for adjustment.

5.1.13 Lubrication

Service Interval: **Refer to Chart.**

- a) Stop engine and remove spark plug wire(s).
- b) Lubricate fittings with one to two pumps of SAE No. 2 multi-purpose gun grease. Refer to the following chart for fitting locations and lubrication schedule.

**GREASE LUBRICATION CHART**

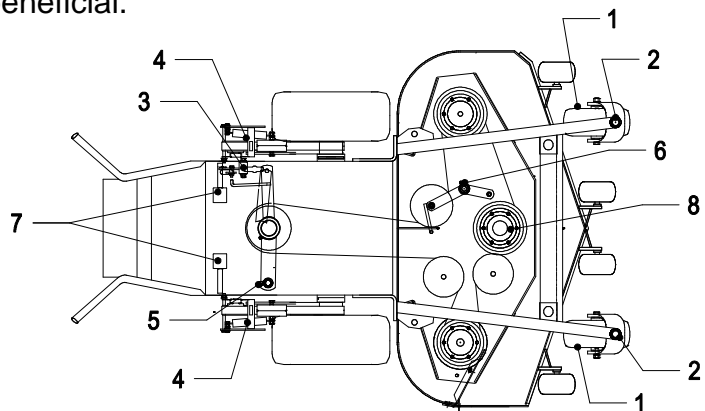
FITTING LOCATIONS	INITIAL PUMP	QUANTITY			SERVICE INTERVAL
		36"	48"	52"	
1. Caster Wheel Bearings	12	2	2	2	Daily
2. Caster Pivots	2	2	2	2	Daily
3. Blade Engagement Bellcrank	1	1	1	1	Weekly
4. Drive Wheel Idler Arm	2	2	2	2	Weekly
5. Clutch Arm Pivot	1	1	1	1	Weekly
6. Cutter Deck Idler Pivots	2	1	1	1	Weekly
7. Trans. Output Shaft Coupler	2	2	2	2	Weekly
8. Cutter Spindles (S/N's 150,000 to 159,999 only)	10	2	3	3	† Weekly

† Under severe cutting conditions, two pumps of grease twice weekly may be more beneficial.

No. 5 (Clutch Arm Pivot)  
Located Under Engine Deck

No. 7 (Trans. Coupler)  
Located Below Fuel Tank Support

No. 4 & 7 (Idler Arm Pivots)  
Disassemble and grease once a Month under a "No Load" condition



- c) Lubricate pivot points with a spray penetrating lubricant as directed below.

**SPRAY LUBRICANT CHART**

PIVOT POINT	NO. OF PLACES	SERVICE INTERVAL
1. Blade Engagement Lever	1	Weekly

- d) Lubricate drive wheel hubs once a year. First remove wheel, then remove hub cap. Lubricate the grease fitting on each wheel hub with an SAE No. 2 multipurpose gun grease, until grease appears through outer bearing. Reinstall hub caps and wheels.
- e) Replace 5-speed gearbox grease yearly. Use 18 oz. Of Peerless grease (Part No. 788067). See Section 5.1.9.

5.1.14 Check spark plugs.

Service Interval: **160 hrs.**

- a) Remove spark plugs, check condition and adjust plug gap or replace with new plugs. See Engine Owner's Manual.

5.1.15 Remove engine shrouds and clean cooling fins.

Service Interval: **See Engine Owner's Manual**

- a) Stop engine and remove spark plug wire(s).
- b) Remove cooling shrouds from engine and clean cooling fins. Also clean dust, dirt and oil from external surfaces of engine which can cause improper cooling.
- c) Make sure cooling shrouds are properly reinstalled. Operating the engine without cooling shrouds will cause engine damage due to overheating.

5.1.16 Change fuel filter.

Service Interval: **As Required**

- a) A fuel filter is installed in the fuel line between the fuel tank and the engine. Replace when necessary.

5.1.17 Refer to Engine Operators Manual for detailed maintenance regarding the engine.

5.1.18 Thread locking adhesives such as "Loctite 242" or "Fel-Pro, Pro-Lock Nut-Type" are used on the following fasteners:

- a) Transmission drive sheave setscrew.
- b) Wheel drive sheave setscrews on transmission output shafts.
- c) OPC lever setscrews.
- d) Sheave retaining bolt in end of engine crankshaft.
- e) Lower Sheave retaining bolt on clutch arm.

Adhesives such as "Loctite RC/609 or RC/680" or "Fel-Pro Pro-Lock Retaining I or Retaining II" are used on the following:

- a) OPC lever hubs and cross-shaft

**NOTE: Care must be used not to bond the bearing, next to each OPC hub, to the cross shaft which could cause binding of the OPC levers and erratic operation.**


5.1.19 An anti-seize compound is used on the following locations:

- a) Between engine crankshaft and transmission and blade drive sheaves.
- b) On clutch arm assembly between bearings and shaft and between lower sheave and shaft.
- c) Between transmission shaft and sheaves.
- d) Between the cutter housing spindles and sheaves.

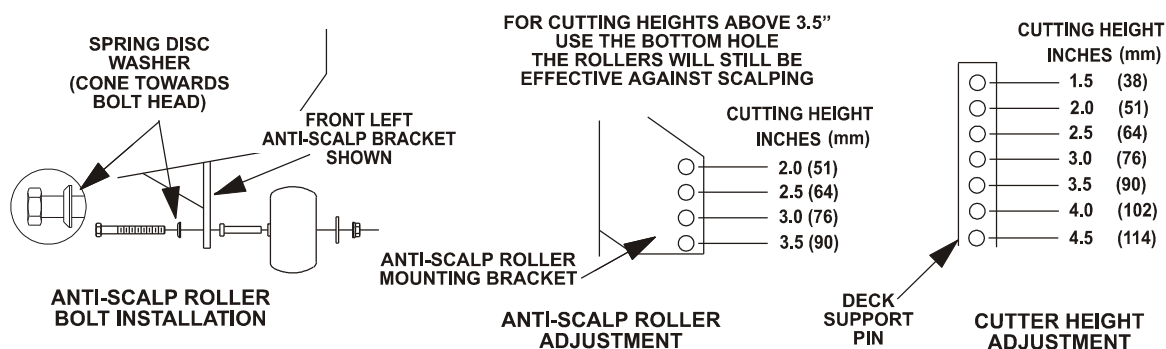
5.1.20 Dielectric grease is used on all blade type electrical connections to prevent corrosion and loss of contact.

## 5.2 ADJUSTMENTS

### 5.2.1 Cutting height and anti-scalp roller adjustment.

 <b>WARNING</b>	
<b>POTENTIAL HAZARD</b>	
◆ When the two front support rod hairpins are removed from the mower deck, the weight of the tractor section may cause the front frame to rise suddenly	
<b>WHAT CAN HAPPEN</b>	
◆ If the unit rises suddenly, injury may occur.	
<b>HOW TO AVOID THE HAZARD</b>	
◆ Securely hold down the front of the unit when the front support rod hairpins are removed.	

- a) Install hairpin clips in the holes shown on sketch below for the desired cutting height (See Figure 14).



**FIG 14**

### **ANTI-SCALP ROLLER BOLT INSTALLATION ANTI-SCALP ROLLER AND CUTTING HEIGHT ADJUSTMENT**

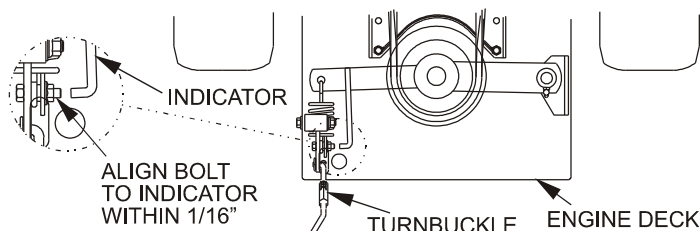
- b) Adjust anti-scalp rollers for Normal Operating Conditions. Stop engine. Place rollers in one of the positions shown in Fig 14. Rollers will maintain 3/4 in. (19 mm) clearance to the ground to minimize gouging and roller wear or damage. **For Maximum Deck Flotation**, place rollers one hole position lower. Rollers should maintain 1/4 in. (6.4 mm) minimum clearance to ground. **Do Not** adjust rollers to support the deck. Be sure roller bolts and nuts are installed with the spring disc washer between head of bolt and mounting bracket. **Torque to 40-45 ft-lbs., or loss of roller may result.**

- c) When operating in extremely rough conditions it may be necessary to position the anti-scalp rollers one or two holes higher than described in "b" to prevent damage to the rollers and/or bolt failure(See Figure 14).

**NOTE:** When anti-scalp rollers are placed in these positions, reduced deck flotation will result.

### 5.2.2 Blade engagement Linkage: Located between the blade engagement lever on the left handle and the left rear corner of the engine deck.

- a) Stop engine and remove spark plug wire(s).
- b) With blade drive engaged, adjust the linkage length by loosening the locknut on the turnbuckle and adjusting the turnbuckle so that the bolt on the bellcrank and the indicator arm align with each other within 1/16". See Figure 15. Tighten locknut against turnbuckle.



**FIG. 15**

**BLADE ENGAGEMENT LINKAGE**

- 5.2.3 **Blade Safety Switch:** Mounted to a tab on the inside lefthand side of the fuel tank support.
- Stop engine and remove spark plug wire(s).
  - With blades disengaged and the bellcrank touching the rear of the slot in the engine deck, adjust the blade safety switch (if needed) until the bellcrank arm is 5/16" from the switch body.
  - Be sure the bellcrank **DOES NOT** touch the switch body or damage to the switch could occur.
  - Retighten blade switch mounting hardware.
- 5.2.4 **Engine to Cutter Deck Belt:**  
**No adjustment necessary.**
- 5.2.5 **Transmission Belt Adjustment:**
- Stop engine and remove spark plug wire(s).
  - To tighten transmission belt, loosen the 3/8" nyloc nut on transmission belt idler pulley. Slide bolt inward in slot and retighten nyloc nut.
  - When properly adjusted, the belt should have 1/2" of deflection with three pounds of pressure on the belt midway between the transmission and engine pulley.
- 5.2.6 **Wheel drive belts and scrapers:**
- If wheel traction appears to be slipping, drive lever rods may be touching bottom of neutral lock/park brake latch slot. To adjust, refer to directions in Section 3.11
- NOTE: Wheel drive springs have three tension settings. Refer to Section 5.2.11.**
- Be sure mud and grass scraper, on each side, is adjusted properly and centered in the pulley grooves. The pointed part of the scraper should be centered and as deep in the pulley groove as possible without rubbing at any point.
- 5.2.7 **Brake Adjustment:**  
See 3.11
- 5.2.8 **Wheel drive linkage adjustment:**  
See 3.11
- 5.2.9 **Shifter lever adjustment:**  
See 3.10
- 5.2.10 **Shifter detent adjustment:**  
Transmission shifter detent can be adjusted by adjusting the setscrew on the backside of transmission located just behind the neutral start switch. Turn setscrew in (clockwise) to hold the transmission shifter more positively in each gear and to increase the force on the lever required to shift gears.



Turn setscrew out (counterclockwise) to decrease force on lever required to shift gears. Factory setting is to turn setscrew all the way in then back out 1-1/2 turns.

**IMPORTANT: Screwing setscrew in too far will prevent the transmission from shifting.**

5.2.11 Wheel drive spring tension adjustment:

It may be necessary to increase wheel drive belt tension under certain conditions such as, wet grass, hilly terrain, or while pulling a sully.

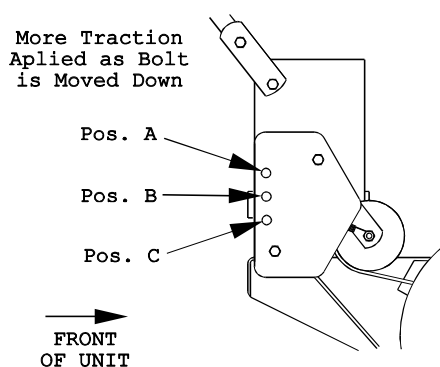
- a) Stop engine and remove spark plug wire(s).
- b) Disengage neutral lock/park brake latches and release drive levers to lower spring force.
- c) Remove the 5/16-18 whizlock nut securing the adjustment bolt to the drive wheel shield. Locate bolt assembly in the desired position as follows

Position A - Normal Conditions

Position B - More Severe

Position C - Most Severe

NOTE: Lever force is lowest with bolt assembly in Position A and will increase in Positions B and C (See Figure 16).



**FIG. 16**  
**DRIVE BELT TENSION**  
**ADJUSTMENT POSITIONS**

5.2.12 Adjust Throttle Lever Tension (B&S Engines only):

- a) Stop engine and remove spark plug.
- b) Tension in throttle levers can be increased or decreased by adjusting the tightness of the lever pivot bolt which is located under the console.

## 6. WASTE DISPOSAL

### 6.1 MOTOR OIL DISPOSAL

Engine oil is a pollutant to the environment. Dispose of used oil at a certified recycling center or according to your state and local regulations.

## 7. TROUBLE SHOOTING

### 7.1 MOWER PULLING LEFT OR RIGHT.

- a) Check idler arm pulleys and drive sheaves for mud and/or grass buildup. Check for proper scraper position. See 5.2.6.
- b) Check to be sure idler arms pivot freely, if not lubricate idler pivots.
- c) Check for worn drive belts.

**NOTE: Wheel drive belts should be replaced as a set. A new belt should not be mixed with a worn belt.**

- d) Check drive linkage adjustment - See 3.11

- e) Check for proper tire pressure in drive tires. Recommended tire pressure for the drive tires is 12 to 16 psi. Higher pressures may be used in the tire on the side that it pulls to (up to 28 psi).

**Note:** *Different pressures may make mower cut unevenly.*

## **7.2 MOWER CUTS UNEVENLY.**

- a) Check the drive tire pressure and tire circumference. See 5.1.10. A more uniform cutting height may be obtained with higher tire pressure on rough terrain. A lower tire pressure provides more flotation.
- b) Check deck support pins. Hairpin clips must be in the same hole position on each support pin.
- c) Check deck support alignment and check mounting brackets to be sure all bolts are tight.
- d) Check blades tip to tip for straightness. (They should be within 3/16", or one blade width from being in line.)

## **7.3 ENGINE WILL NOT START.**

- a) Check that choke is in the "ON" position for a cold engine or in the "OFF" position for a warm engine. See 4.3.2.

**NOTE:** **Kawasaki engines may need to be choked even when warm.**

- b) Make sure the key switch is in the "ON" position (B&S and 15 & 17 HP Kawasaki engines only).
- c) Make sure transmission is in "true neutral" position. (See section 3.10c).
- d) Check that the blades are disengaged and the blade switch is depressed.
- e) Check that there is fuel in the tank and that the fuel valve is open.
- f) Check that the spark plug wire(s) are properly connected.
- g) Check for loose or faulty wiring connections. If it is necessary to disconnect wire connectors, **Do Not** pull on the wires while disconnecting.
- h) Check for corrosion at all wiring connections. Even minor corrosion may cause a faulty connection. Clean connector terminals thoroughly with electrical contact cleaner, apply dielectric grease and reconnect.

**IMPORTANT: It is essential that all operator safety mechanisms be connected and in proper operating condition prior to mower use.**

**NOTE: After carefully checking the above steps, attempt to start the engine. If it does not start, contact your authorized Exmark service dealer.**

## **ENGINE TROUBLESHOOTING**

When a problem occurs, do not overlook the simple causes. For example, starting problems could be caused by an empty fuel tank.

The following table lists some of the common causes of trouble.

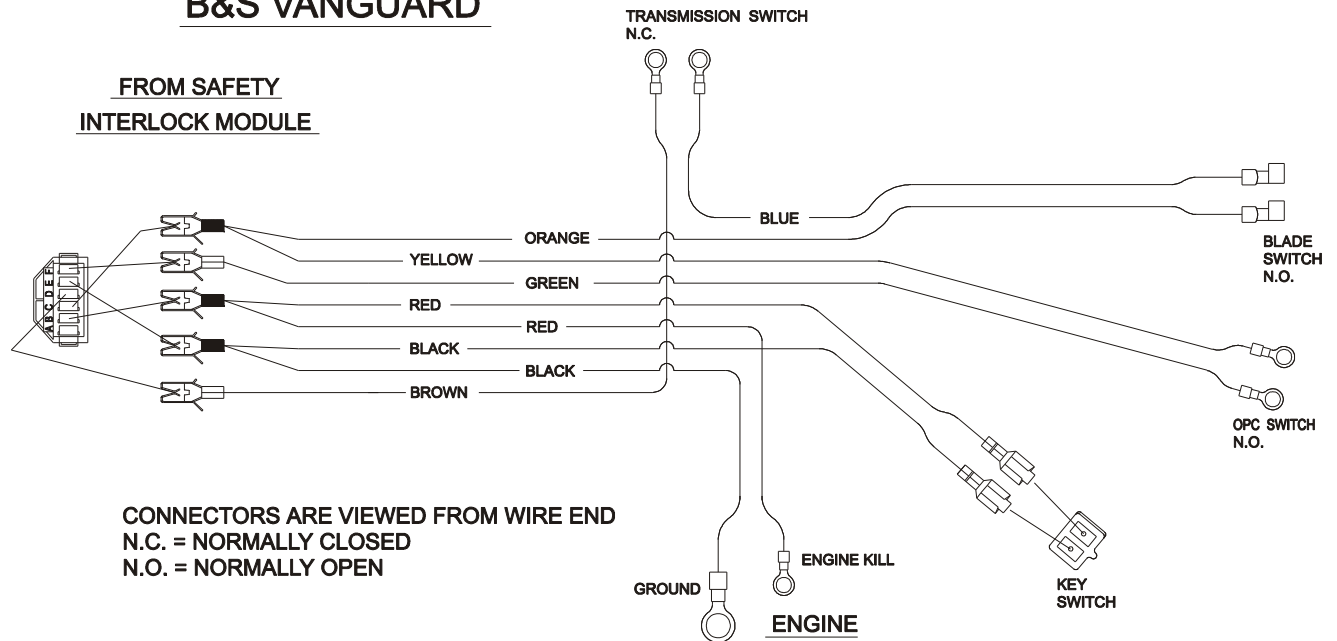
Do not attempt to service or replace major items or any items that call for special timing or adjustment procedures (such as valves, governor, etc.). Have this work done by your **Engine Service Dealer**.

**ENGINE TROUBLESHOOTING TABLE**

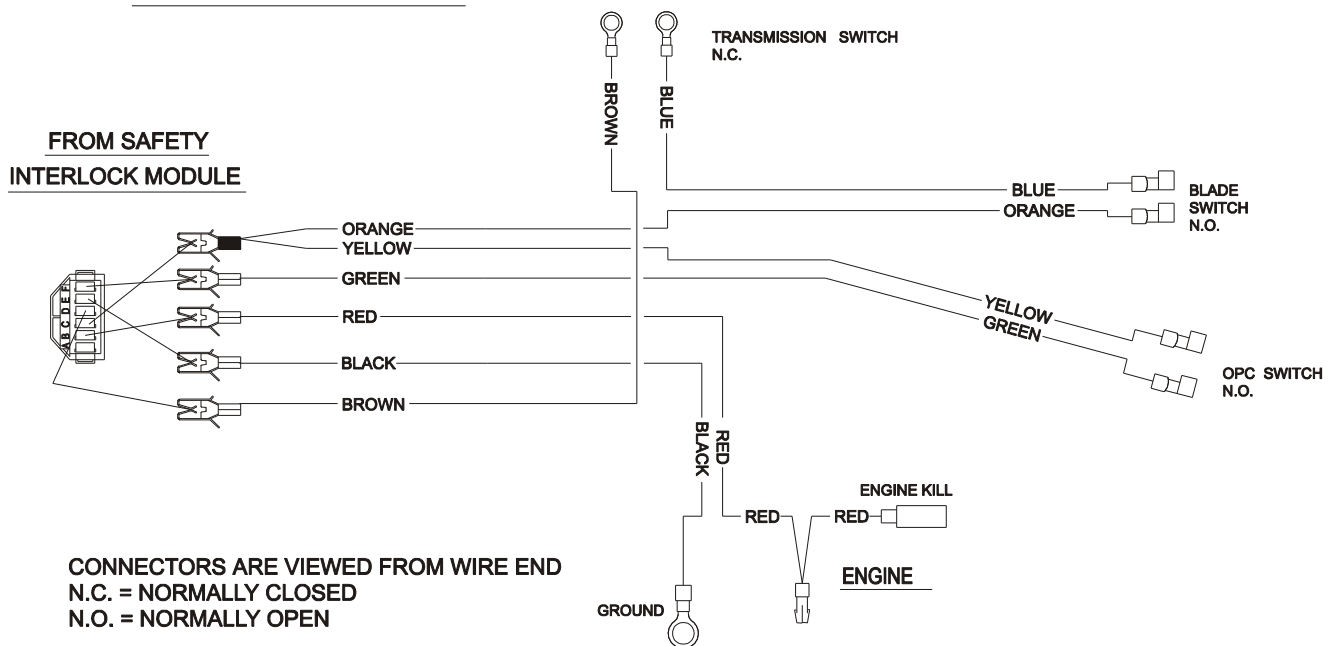
<b>PROBLEM</b>	<b>NO FUEL</b>	<b>IMPROPER FUEL</b>	<b>DIRT IN FUEL LINE</b>	<b>DIRTY AIR FILTER</b>	<b>FAULTY SPARK PLUG</b>	<b>ENGINE OVERLOADED</b>	<b>BLOCKED FUEL FILTER</b>	<b>INCORRECT OIL LEVEL</b>	<b>DIRTY AIR SCREEN</b>
Will not start	X		X	X	X	X	X		
Hard starting	X	X	X	X	X	X	X		
Stops suddenly	X		X	X		X	X	X	X
Lacks power		X	X	X	X	X	X	X	X
Operates erratically		X	X	X	X	X	X		X
Knocks or pings		X				X			X
Skips or misfires		X	X	X	X				X
Backfires			X	X	X	X			X
Overheats			X	X		X		X	X
High fuel consumption				X	X	X			X

## 8. WIRING DIAGRAM

### B&S VANGUARD

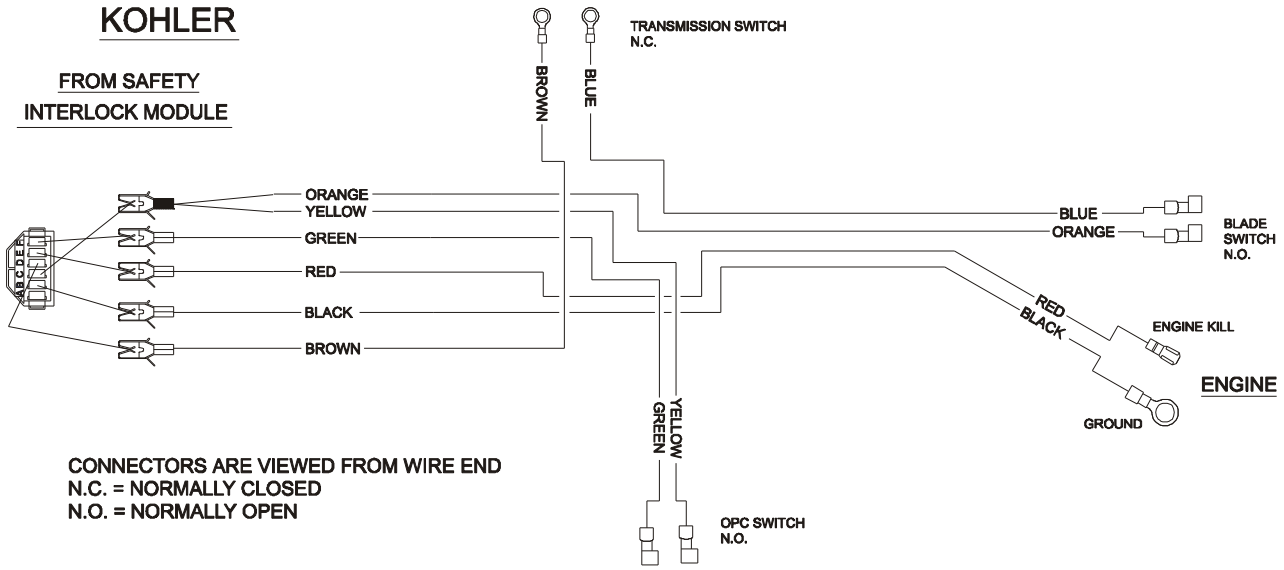


### 14 HP KAWASAKI



## KOHLER

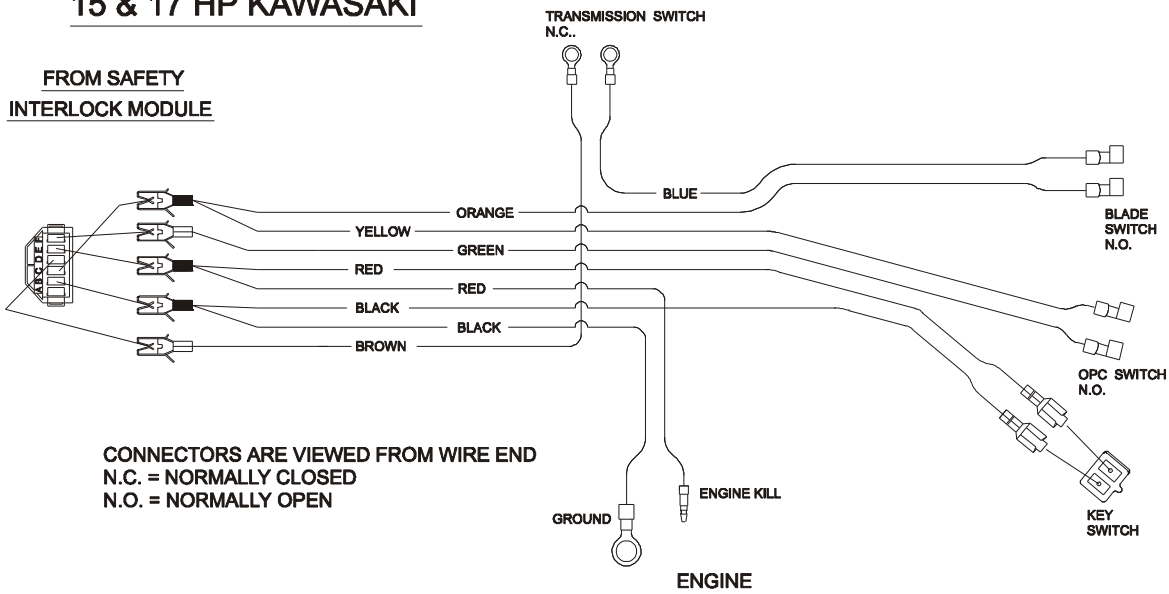
FROM SAFETY  
INTERLOCK MODULE



CONNECTORS ARE VIEWED FROM WIRE END  
N.C. = NORMALLY CLOSED  
N.O. = NORMALLY OPEN

## 15 & 17 HP KAWASAKI

FROM SAFETY  
INTERLOCK MODULE



CONNECTORS ARE VIEWED FROM WIRE END  
N.C. = NORMALLY CLOSED  
N.O. = NORMALLY OPEN

## 9. WARRANTY

### Limited Warranty Exmark Commercial Turf Equipment

Exmark Mfg. Co. Inc. and its affiliate, Exmark Warranty Company, pursuant to an agreement between them, jointly warrant on the terms and conditions herein, that we will repair, replace or adjust any part manufactured by Exmark and found by us (in the exercise of our reasonable discretion) to be defective in factory material or workmanship.

This warranty is limited to one year from the date of original retail purchase (90 days for rental use) for any Exmark mower that is used for commercial or any other income producing purpose. The blade spindle assemblies will be warranted for three years, one year parts and labor with an additional two years parts only, from date of original retail purchase against defects in materials or workmanship. The hydrostatic traction drive system, excluding hoses, will be warranted for two full years from date of original retail purchase against defects in materials or workmanship. We will extend the Peerless 5-speed transmission manufacturer's warranty from 90 days to one year. Belts and tires are warranted for 90 days against defects in materials or workmanship.

The engine warranty is covered by its respective engine manufacturer. Please refer to the engine manufacturer's warranty statement that is included in the literature packet. We are not authorized to handle warranty adjustments on engines. Engine warranties should be referred to the nearest authorized service outlet of the engine manufacturer.

This warranty extends only to the original retail purchaser of the equipment. This warranty may not be assigned or transferred without the prior express written consent of Exmark and Exmark Warranty Company. The warranty period commences upon the date of the original retail purchase.

The Exmark turf equipment, including any defective part, must be returned to an authorized Exmark service dealer within the warranty period. The warranty shall extend to the expense of repair or replacement (as determined by us) of the defective part, including labor. The warranty shall not extend to the expense of delivering the mower to the dealer for warranty work nor the expense of returning it back to the owner after repair or replacement. Our responsibility in respect to claims is limited to making the required repairs or replacements, and no claim of breach of warranty shall be cause for cancellation or rescission of the contract of sale of any Exmark mower. Proof of purchase may be required by the dealer to substantiate any warranty claim. All warranty work must be performed by an authorized Exmark service dealer.

This warranty extends only to turf equipment operated under normal conditions and properly serviced and maintained. The warranty expressly does not cover: (i) any damage or deterioration due to normal use, wear and tear, or exposure; (ii) normal maintenance services, such as oil change, cleaning, lubrication; adjustment; (iii) replacement of service items, such as oil, lubricants, spark plugs, or other items subject to normal service replacement; (iv) damage or defects arising out of or relating to misuse, neglect, alteration, negligence or accident; (v) repair or replacement arising from operation of or use of the turf equipment which is not in accordance with operating instructions as specified in the operator's manual or other operational instructions provided by Exmark; (vi) repair or replacement arising as a result of any operation from turf equipment that has been altered or modified so as to, in the determination of Exmark or Exmark Warranty Company, adversely affect the operation, performance or durability of the equipment or that has altered, modified or affected the turf equipment so as to change the intended use of the product; (vii) repair or replacement necessitated by use of parts, accessories or supplies, including gasoline, oil or lubricants, incompatible with the turf equipment or other than as recommended in the operator's manual or other operational instructions provided by Exmark; (viii) repairs or replacements resulting from parts or accessories which have adversely affected the operation, performance or durability of the turf equipment; or (ix) damage or defects due to or arising out of repair of turf equipment by person or persons other than an authorized Exmark service dealer or the installation of parts other than genuine Exmark or Exmark recommended parts.

As a condition to this warranty, customer shall have read the operator's manual and shall have completed and returned to Exmark Warranty Company, within the prescribed time, the Exmark warranty registration.

The sole liability of Exmark and Exmark Warranty Company with respect to this warranty shall be repair and replacement as set forth herein. Neither Exmark nor Exmark Warranty Company shall have any liability for any other cost, loss or damage, including but not limited to, any incidental or consequential loss or damage. In particular, we shall have no liability or responsibility for: (i) expenses relating to gasoline, oil or lubricants; (ii) loss, cost or expense relating to transportation or delivery of turf equipment from the location of owner or location where used by owner to or from any authorized Exmark service dealer; (iii) travel time, overtime, after hours time or other extraordinary repair charges or charge relating to repairs or replacements outside of normal business hours at the place of business of the authorized Exmark service dealer; (iv) rental of like or similar replacement equipment during the period of any warranty, repair or replacement work; (v) any telephone or telegram charges or travel charges; (vi) loss or damage to person or property other than that covered by the terms of this warranty; (vii) any claims for lost revenue, lost profit or additional cost as a result of a claim of breach of warranty; or (viii) attorney's fees.

There are no representations or warranties which have been authorized and provided to the buyer of the turf equipment, other than as set forth in this warranty. Any and all statements or representations made by any seller of this equipment, including those set forth in any sales literature or made orally by any sales representative, are superseded by the terms of this warranty. Any affirmation of fact or promise made by Exmark, Exmark Warranty Company or any of their representatives to the buyer which relates to the goods that are the subject of this warranty shall not be regarded as part of the basis of the bargain and shall not be deemed to create any express warranty that such goods shall conform to the affirmation or promise.

THERE ARE NO UNDERSTANDINGS, AGREEMENTS, REPRESENTATIONS, OR WARRANTIES, EXPRESS OR IMPLIED (INCLUDING BUT NOT LIMITED TO ANY REGARDING THE MERCHANTABILITY OR FITNESS FOR A PARTICULAR PURPOSE), NOT SPECIFIED HEREIN, RESPECTING THE EQUIPMENT WHICH IS THE SUBJECT OF THIS WARRANTY.

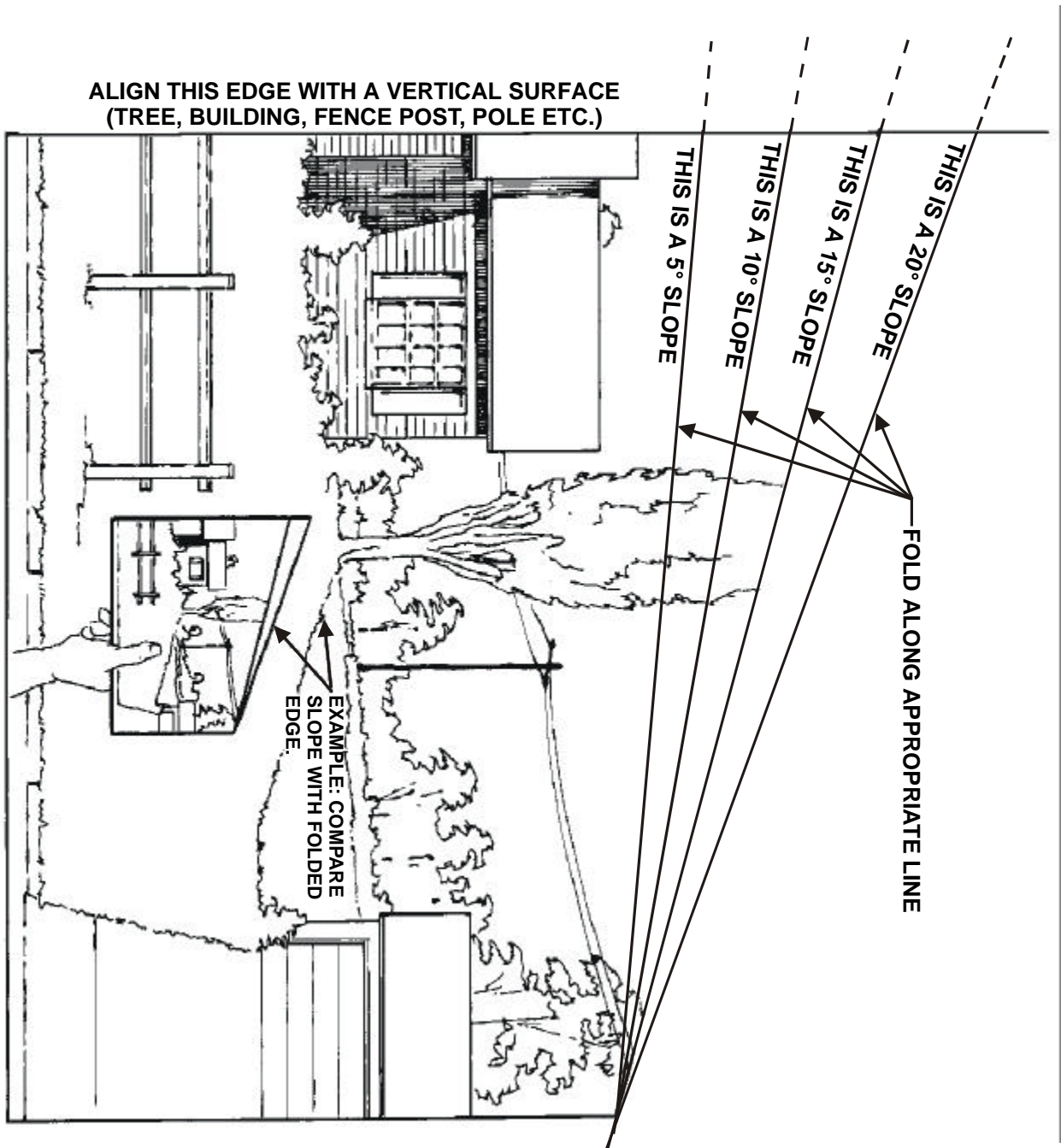
This warranty applies to all Exmark turf equipment sold in the United States and Canada and intended to be used for commercial purposes.

**NOTES**



**NOTES**





**SEE EXMARK'S COMPLETE  
LINE OF PRODUCTS FOR TURF CARE**

**LAZER Z<sup>®</sup>**

**LAZER Z<sup>®</sup> HP**

**TURF RANGER<sup>®</sup>**

**TURF TRACER<sup>®</sup>**

**TURF TRACER<sup>®</sup> HP**

**VIKING HYDRO**

**METRO<sup>®</sup>**

**METRO<sup>®</sup> HP**

**ULTRA VAC<sup>™</sup>**

**GRASS CATCHER**

**SELF STEERING SULKY**

**MICRO-MULCH<sup>™</sup> ACCESSORY**



**WARNING**

The engine exhaust from this product contains chemicals known to the State of California to cause cancer, birth defects, or other reproductive harm.

©1997,1998,1999,2000  
EXMARK MFG. CO. INC.  
INDUSTRIAL PARK BOX 808  
BEATRICE, NE 68310  
ALL RIGHTS RESERVED

PART NO. 103-0611  
(402) 223-6300  
FAX (402) 223-5489  
PRINTED IN U.S.A.

