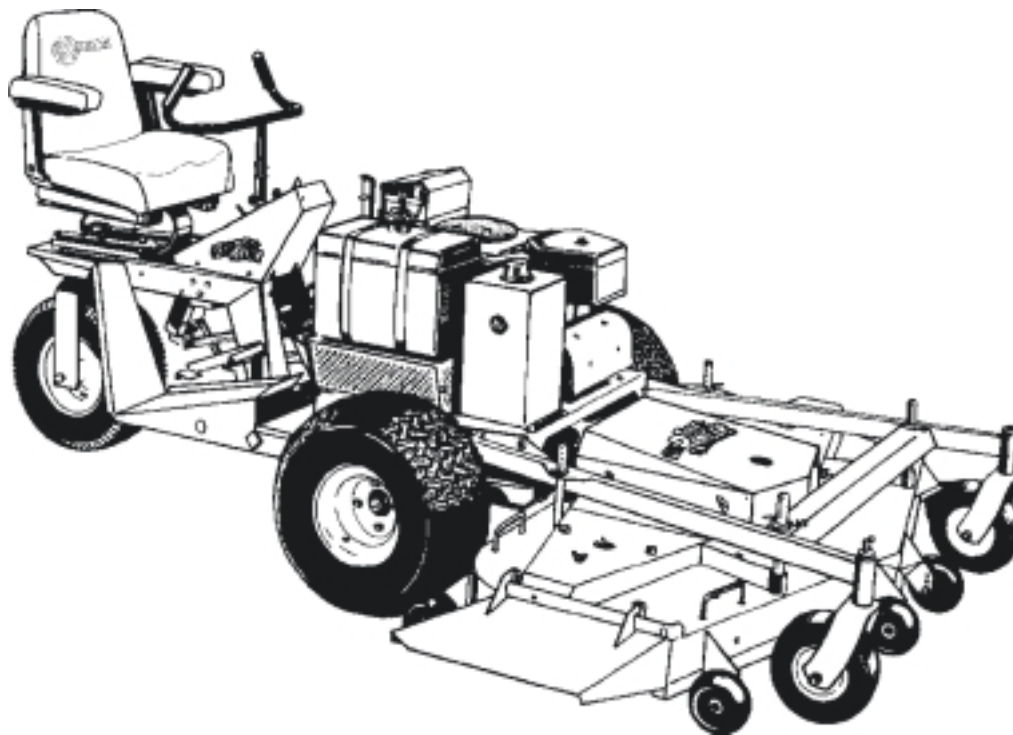


For Serial Nos.  
252,000 & Higher



PARTS MANUAL

# TURF RANGER

CONGRATULATIONS on the purchase of your new Exmark mower. This product has been carefully designed and manufactured to give you a maximum amount of dependability and years of trouble-free operation.

If additional information is needed, or should you require trained mechanic service, contact your authorized Exmark equipment dealer or distributor.

If you need to order replacement parts from your dealer, always give the model number and serial number of your mower as well as the part number, description and quantity of the part needed.

The Serial No. plate is located on the left hand rear surface of the engine deck below the fuel tank and for the deck is on the rear left hand top side of deck plate next to the handle.

For ease of ordering and reference, we suggest that you record the information requested in the following identification table.

Tractor Model No. \_\_\_\_\_

Tractor Serial No. \_\_\_\_\_

Deck Model No. \_\_\_\_\_

Deck Serial No. \_\_\_\_\_

Engine Model No. \_\_\_\_\_

Engine Serial No. \_\_\_\_\_

Date Purchased \_\_\_\_\_

Paste Label From  
Literature Packet Here


## EXMARK PARTS PLUS® PROGRAM

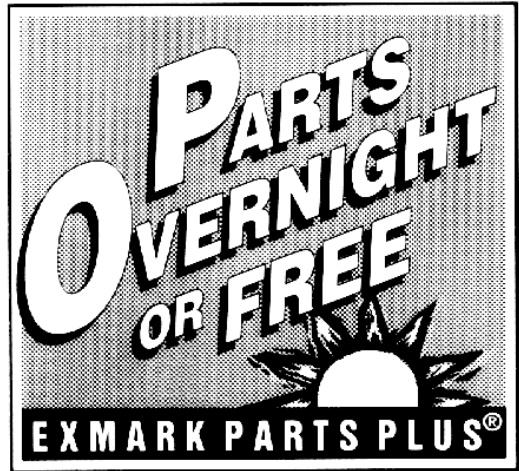
EFFECTIVE DATE: September 1, 1995

### Program

If your Exmark dealer does not have the Exmark part in stock, Exmark will get the parts to the dealer the next business day or the part will be FREE\* Guaranteed!!

### *How the Program Works*

1. If dealer does not have part in stock for a "down" unit at the time of request by customer, the dealer contacts his distributor by 1:00 p.m., local time, and requests Exmark Parts Plus® shipment of six (6) line items or less.
2. Distributor ships part(s) to dealer or customer, as requested by dealer, same day, overnight UPS. Distributor bills dealer for part and freight charges where applicable.
3. If distributor does not have the part(s) in stock to satisfy Exmark Parts Plus® order, he contacts Exmark by 3:00 p.m., central time, with an Exmark Parts Plus® order of six (6) line items or less.
4. If order is received by 3:00 p.m. central time, Exmark ships part(s) direct to dealer or customer, as requested by distributor, same day, overnight UPS. Exmark bills the distributor for parts and shipping charges, where applicable.
5. The customer pays for the part and freight if it is shipped under the Exmark Parts Plus® and if it arrives in accordance to the program.
6. Who pays for the part and freight if it fails to arrive overnight in accordance to the program?
  - A. Under any circumstance the customer does not pay.
  - B. If the part does not arrive overnight due to:
    1. The dealer not submitting the Exmark Parts Plus® order to his Exmark distributor by 1:00 p.m., the dealer pays for the part and freight.
    2. The Distributor being unable to ship the part the same day or not submitting the Exmark Parts Plus® order to Exmark by 3:00 p.m., central time, the Distributor pays for the part and freight.
    3. Exmark being unable to ship the part and the Exmark parts order is received by 3:00 p.m., central time, Exmark pays for the part and freight.
    4. If the part does not arrive overnight due to the shipper (UPS), the shipper pays for the freight and Exmark pays for the part.



**The following restrictions apply** -- The Exmark Parts Plus® Program is available only through participating Exmark Dealers and applies only to orders submitted on this program Monday through Thursday. Parts Plus service is available only in the 48 contiguous United States. UPS has initiated a Saturday delivery program to many areas of the continental United States and can be requested for an overnight shipment on Friday to be delivered Saturday. The next day air charge, plus the Saturday delivery fee will be the responsibility of the purchaser. Exmark Mfg. will assume no responsibility for Saturday delivery shipments. To qualify, all Exmark Parts Plus® orders must be received by Exmark by 3:00 p.m., central time. Orders must be six (6) line items or less. Exclusions from the Exmark Parts Plus® Program are: Any wholegood or accessory in its entirety, engines and engine replacement parts, 5-speed Peerless transmissions and 5-speed transaxles, hydraulic or hydrostatic wheel motors, cutter decks and engine decks or any item exceeding United Parcel Service size and weight restrictions.

Due to UPS restrictions, aerosol spray paint is considered a hazardous material and cannot be shipped via UPS next day or Second Day Air.

Exmark Manufacturing stocks a limited supply of parts for transaxles, pumps and wheel motors. These parts can be ordered for Next Day Air shipment but will not be guaranteed per the Parts Plus Program.

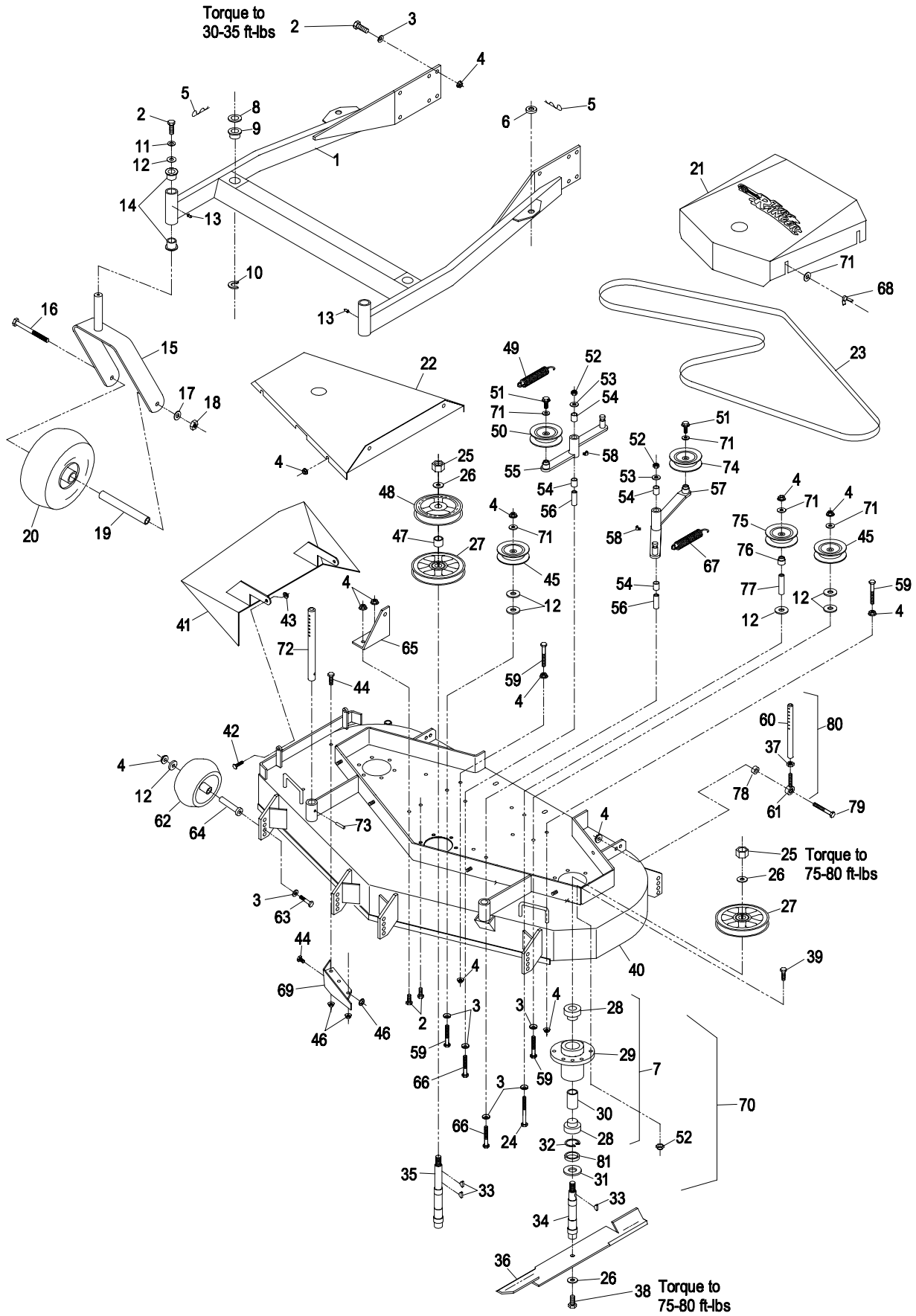


**READ OPERATOR'S MANUAL BEFORE  
OPERATING OR SERVICING EXMARK EQUIPMENT.**

**TABLE OF CONTENTS**

<b><u>Description</u></b>	<b><u>Page</u></b>
Axles and Hydraulics.....	7
Decals.....	16
Electrical Diagram.....	17
Electrical Group .....	14 - 15
Engine Deck Group.....	10 - 11
52" Mower Deck.....	2 - 3
Motion Controls.....	8
Parking Brake .....	9
Rider Frame and Steering .....	12 - 13
Seat assembly and Lift Actuator .....	6
60" Mower Deck.....	4 - 5

### 52" MOWER DECK



**52" MOWER DECK**

Ref. No.	Part No.	Description	Qty. Req'd.	Ref. No.	Part No.	Description	Qty. Req'd.
1	604960	Support, deck 612092		41	602571	Chute, discharge .....	1
		w/ bushings & decals.....	1	42	800273	Capscrew, 5/16-18 x 1.....	2
2	800292	Capscrew, 3/8-16 x 1.....	12	43	804256	Nut, nylock 5/16-18.....	2
3◇	303327	Washer, disc spring 3/8.....	19	44	800270	Capscrew, 5/16-18 x 5/8.....	3
4◇	809007	Nut, whizlock 3/8-16 .....	33	45	303516	Pulley, V-Idler .....	2
5	806009	Hairpin, .177 #206 .....	4	46	809001	Nut, whizlock 5/16-18 .....	3
6	303164	Spacer, blade driver .....	2	47	603504	Spacer, tube .....	1
7	634619	Housing w/brg, spacer & ring .	2	48*	603581	Sheave, mower drive.....	1
8	413425	Washer .....	2	49	603413	Spring, extension.....	1
9	513336	Bushing, deck support.....	2	50	603497	Pulley, idler .....	1
10	808507	Ring, retaining (external) .....	2	51	803016	Screw, whizlock 3/8-16 x 1 .....	2
11	805006	Washer, lock 3/8 hvy spring ...	2	52	804257	Nut, nylock 3/8-16.....	20
12◇	373034	Washer, pivot .....	13	53	805260	Washer, 3/8 .....	2
13	811001	Zerk, 1/8 NPT (straight).....	2	54	513034	Bearing, pivot.....	4
14	303514	Bearing, flange thrust .....	4	55	602604	Idler arm assy w/bearings.....	1
15	522143	Fork, caster .....	2		602591	Arm, deck idler .....	1
16	800334	Capscrew, 1/2-13 x 6.....	2	56	603384	Bushing, idler pivot .....	2
17	805008	Washer, lock 1/2.....	2	57	602865	Idler arm, w/bearings	
18	804509	Nut, 1/2-13 .....	2			deck drive .....	1
19	513547	Spacer, front caster .....	2		602867	Arm, deck drive idler.....	1
20	513648	Tire/wheel assy, 9 x 3.50-4....	2	58	811008	Zerk, 1/4-28 (90°) .....	2
	513807	Wheel .....	2	59	800297	Capscrew, 3/8-16 x 2-1/4 .....	4
	513808	Tire 9 x 3.50-4 .....	2	60	413525	Link, rear deck support.....	2
	513809	Bearing .....	2	61	613204	Balljoint.....	2
	513810	Bushing.....	4	62	603299	Roller, anti scalp .....	6
21	544835	Cover w/decals.....	1	63	800807	Capscrew, 3/8-16 x 4 Gr8 .....	6
22	602545	Cover, deck .....	2	64	603602	Bushing, roller.....	6
23	603576	Belt, blade drive.....	1	65	603620	Bracket, spring anchor .....	1
24	800302	Capscrew, 3/8-16 x 4.....	1	66	800805	Capscrew, 3/8-16 x 3 1/2 Gr8	2
25	804510	Nut, 5/8-18 UNF .....	3	67	603414	Spring, extension.....	1
26	513208	Spring, disk.....	6	68	543678	Wingnut, nylock .....	4
27*	553039	Sheave, blade drive.....	3	69	602913	Baffle .....	1
28*	513016	Bearing, ball .....	6	70▲	554033	Housing, cutter complete	
29	323532	Housing, bearing .....	3			(center) .....	1
30	323528	Spacer, bearing .....	3		554019	Housing, cutter complete	
31	633573	Guard, dust.....	3			(outer) .....	2
32	808502	Snap ring .....	3	71◇	805259	Washer, 3/8 SAE.....	5
33	807006	Key, woodruff #61.....	4	72	603001	Rod, deck support .....	2
34	633574	Spindle, outer blade.....	2	73	806332	Roll pin, 1/4 x 1-1/2.....	2
35	553038	Spindle, center blade.....	1	74	613098	Pulley, flat idler .....	1
36	633482	Blade, notched air foil.....	3	75◇	603805	Idler.....	1
	613251	Blade, solid air foil .....	3	76◇	513791	Bushing.....	1
	633485	Blade, low lift.....	3	77◇	603494	Spacer .....	1
‡	633484	Blade, mulching.....	3	78	603050	Spacer .....	2
37	804525	Nut, hex 3/8-24.....	2	79	800295	Capscrew, 3/8-16 x 1 3/4.....	2
38	800848	Capscrew, 5/8-11 x 1 (Gr8) ....	3	80	414521	Link Assy .....	2
39	800293	Capscrew, 3/8-16 x 1 1/4.....	18	81	323533	Spacer, Sheave/Brg .....	3
40◆	612155	Deck, 612287 with decals, support rods & dogleg baffle...	1				

◇ These parts are available in an Idler Pulley Kit (Part No. 601806). Each kit contains one item each of the referenced item number.

‡ Requires installation of Micro-Mulch accessory for proper mulching. Mulch kit P/N MK523.

◆ Exmark red touch up spray paint - P/N 850337

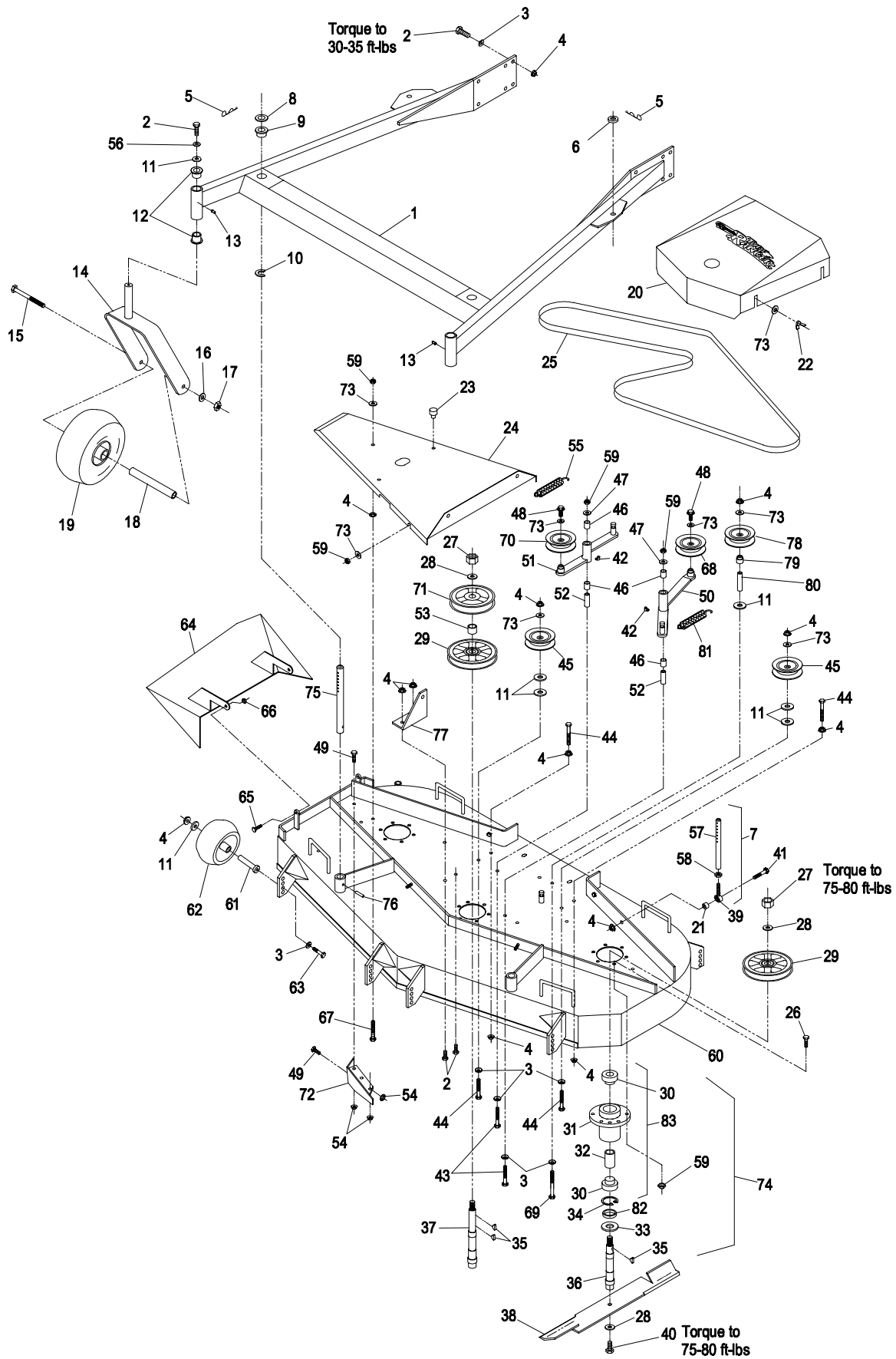
◆ Deck weldmt **does** include welded in flow control baffles

▲ **Outer** complete cutter housing includes sheave, washer and nut.

**Center** complete cutter housing includes sheaves, washer, spacer and nut.

\* Use antisieze on bore of sheave & bearings.

### 60" MOWER DECK



**60" MOWER DECK**

Ref. No.	Part No.	Description	Qty. Req'd.	Ref. No.	Part No.	Description	Qty. Req'd.
1	604847	Support, deck 612094 w/ bushings & decals .....	1	41	800295	Capscrew, 3/8-16 x 1 3/4 .....	2
2	800292	Capscrew, 3/8-16 x 1 .....	12	42	811008	Zerk, 1/4-28 (90°) .....	2
3◇	303327	Washer, disc spring 3/8 .....	19	43	800805	Capscrew, 3/8-16 x 3.5 .....	2
4◇	809007	Nut, whizlock 3/8-16 .....	26	44	800297	Capscrew, 3/8-16 x 2-1/4 .....	4
5	806009	Hairpin, .177 #206 .....	4	45	303516	Pulley, V-idler .....	2
6	303164	Spacer, blade driver .....	2	46	513034	Bearing, pivot .....	4
7	614213	Link Assy .....	2	47	805260	Washer, 3/8 stdn flat .....	2
8	413425	Washer .....	2	48	803016	Bolt, whizlock 3/8-16 x 1 .....	2
9	513336	Bushing, deck support .....	2	49	800270	Capscrew, 5/16-18 x 5/8 .....	3
10	808507	Ring, retaining (external) .....	2	50	602867	Arm, deck drive idler .....	1
11◇	373034	Washer, pivot .....	13		602865	Idler arm assy, deck drive (with bearings) .....	1
12	303514	Bearing, flange thrust .....	4	51	602591	Arm, deck idler .....	1
13	811001	Zerk, 1/8 NPT (straight) .....	2		602604	Idler arm, w/bearings .....	1
14	522143	Fork, caster .....	2	52	603384	Bushing, idler pivot .....	2
15	800334	Capscrew, 1/2-13 x 6 .....	2	53	603504	Spacer, tube .....	1
16	805008	Washer, lock 1/2 .....	2	54	809001	Nut, whizlock 5/16-18 .....	3
17	804509	Nut, 1/2-13 .....	2	55	603413	Spring, extension .....	1
18	513547	Spacer, front caster .....	2	56	805006	Washer, lock 3/8 (hvy spring) .	2
19	513648	Tire/whl assy, 9 x 3.50-4 .....	2	57	413525	Link, rear deck support .....	2
	513807	Wheel .....	2	58	804525	Nut, hex 3/8-24 .....	2
	513808	Tire 9 x 3.50-4 .....	2	59	804257	Nut, nylock 3/8-16 .....	26
	513809	Bearing .....	2	60◆	612149	Deck, 612286 with decals, support rods & dogleg baffle ...	1
	513810	Bushing .....	4	61	603602	Bushing, roller .....	6
20	544849	Cover w/decals (deck drv belt)..	1	62	603299	Roller, anti scalp .....	6
21	603050	Spacer .....	2	63	800807	Capscrew, 3/8-16 x 4 (Gr 8)....	6
22	543678	Wingnut, nylon insert .....	4	64	542606	Chute, discharge .....	1
23	513291	Bumper, seat .....	2	65	800273	Capscrew, 5/16-18 x 1 .....	2
24	542588	Cover, deck .....	2	66	804256	Nut, nylock 5/16-18 .....	2
25	603045	Belt, blade drive .....	1	67	800031	Tapbolt, 3/8-16 x 2 3/4 .....	2
26	800293	Capscrew, 3/8-16 x 1 1/4 .....	18	68	613098	Pulley, flat idler .....	1
27	804510	Nut, 5/8-18 UNF .....	3	69◇	800302	Capscrew, 3/8-16 x 4 (Gr 5)....	1
28	513208	Washer, disc spring .....	6	70	603497	Pulley, idler .....	1
29*	553039	Sheave, blade drive .....	3	71*	613024	Sheave, mower drive .....	1
30*	513016	Bearing, ball .....	6	72	602913	Baffle .....	1
31	323532	Bearing, housing .....	3	73◇	805259	Washer, 3/8 SAE .....	13
32	323528	Spacer, bearing .....	3	74▲	554019	Cutter housing complete .....	2
33	633573	Guard .....	3		554018	Cutter housing complete .....	1
34	808502	Snap ring .....	3	75	603001	Rod, deck support .....	2
35	807006	Key, woodruff 5/8 x 3/16 .....	4	76	806332	Roll pin, 1/4 x 1-1/2 .....	2
36	633574	Spindle, outer blade .....	2	77	603620	Bracket, spring anchor .....	1
37	553038	Spindle, center blade .....	1	78◇	603805	Idler .....	1
38	633483	Blade, notched air foil .....	3	79◇	513791	Bushing .....	1
	613250	Blade, solid air foil .....	3	80◇	603494	Spacer .....	1
	613111	Blade, low lift .....	3	81	603414	Spring, extension .....	1
‡	613112	Blade, mulching .....	3	82	323533	Spacer, Shv/Brg .....	3
39	613204	Balljoint .....	2	83	634619	Housing W/Brg, Spacer & Ring..	3
40	800848	Capscrew, 5/8-11 x 1 (Gr8) .....	3				

◇ These parts are available in an Idler Pulley Kit (Part No. 601806). Each kit contains one item each of the referenced item number.

‡ Requires installation of Micro-Mulch accessory for proper mulching. Mulch kit P/N MK603.

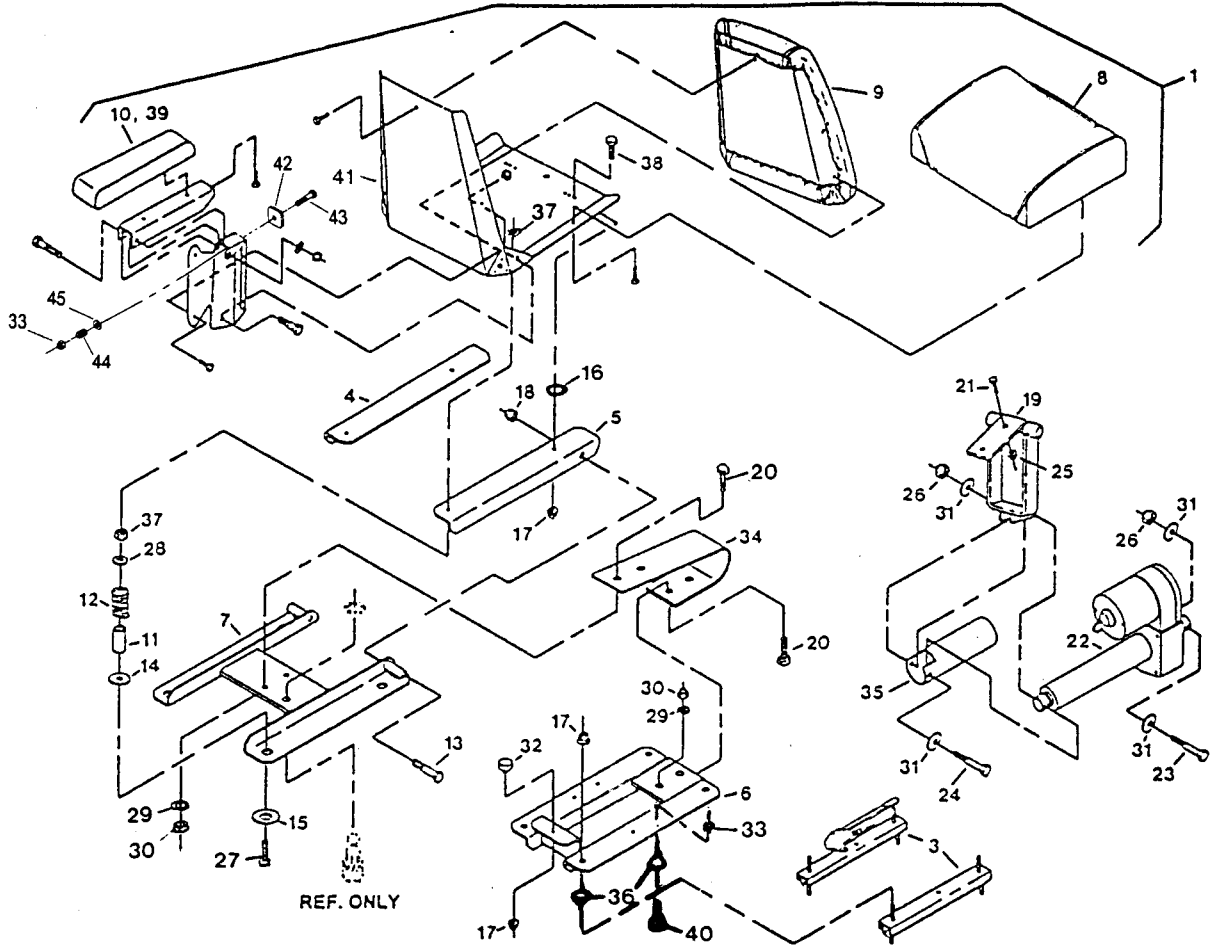
Exmark red touch up spray paint - P/N 850337

◆ Deck weldmt does include welded in flow control baffles.

▲ **Outer** complete cutter housing includes sheave, washer and nut. **Center** complete cutter housing includes sheaves, washer, spacer and nut.

\* Use antisieze on bore of sheave & bearings.

## SEAT ASSY and LIFT ACTUATOR

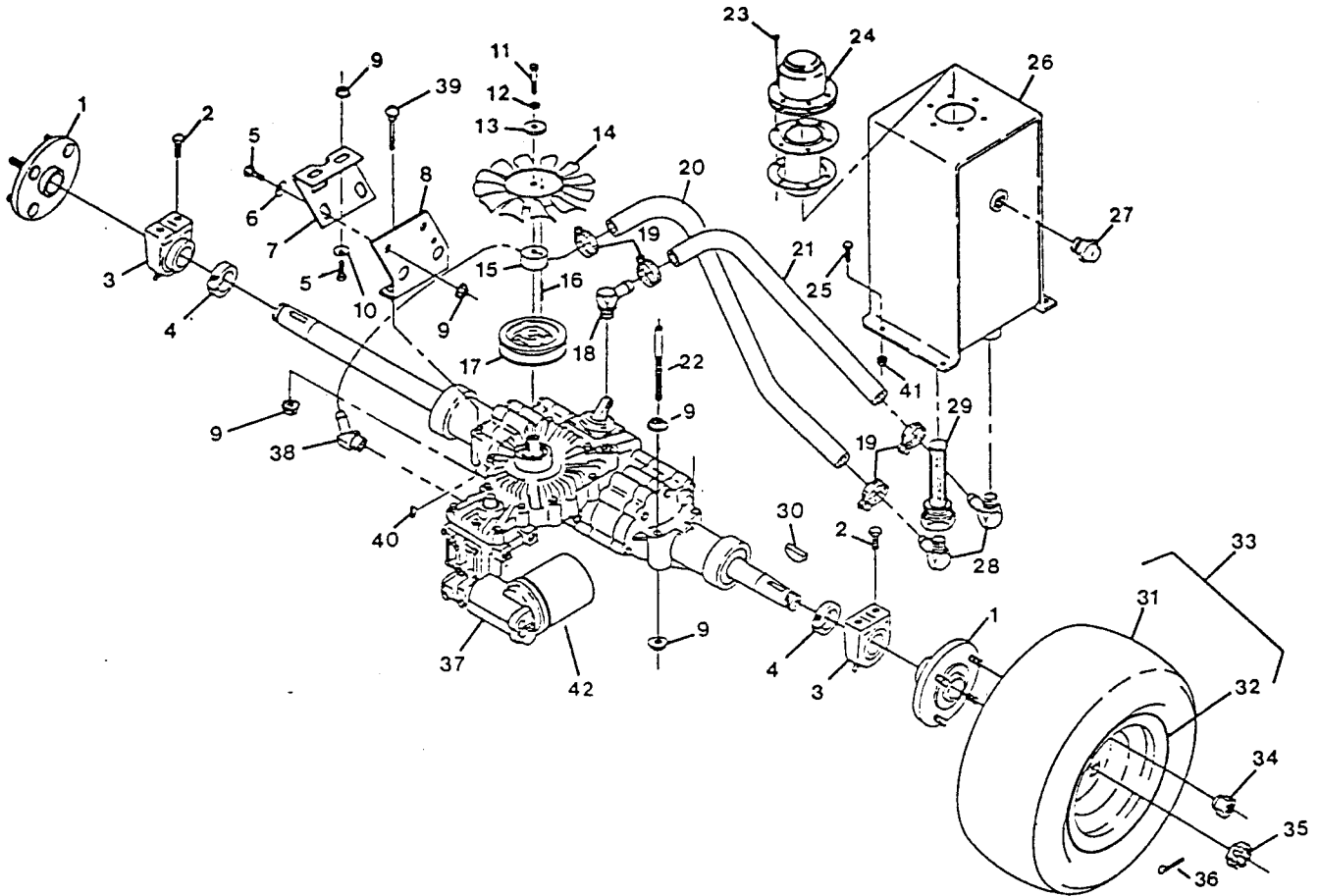


Ref. No.	Part No.	Description	Qty. Req'd.	Ref. No.	Part No.	Description	Qty. Req'd.
1	103-0288	Seat complete /w armrests ....	1	24	800820	Screw, 7/16-20 x 3.....	1
2	543406	Kit, armrest .....	1	25	809007	Nut, flange 3/8-16 .....	2
3	543357	Seat track, adjustable (6").....	1	26	804263	Nut, nylock 7/16-20.....	2
4	543319	Rail, seat (LH).....	1	27	800015	Tap bolt, 5/16-18 x 2 1/2.....	2
5	543321	Rail, seat (RH) .....	1	28	805258	Washer, 5/16 .....	2
6	542307	Base rail, seat .....	1	29	805008	Washer, lock 1/2.....	4
7	542315	Seat rail wldmnt .....	1	30	804509	Nut, nylock 1/2-13.....	4
8	103-0290	Cushion, seat.....	1	31	805261	Washer, 7/16 .....	4
9	103-0289	Cushion, back rest.....	1	32	543963	Bumper, rubber.....	1
10	103-0292	Pad, arm rest (RH).....	1	33	804256	Nut, nylock 5-16-18.....	4
11	513479	Bushing, spring guide .....	2	34	543356	Spring, seat (TR) .....	1
12	513296	Spring.....	2	35	543834	Guard, actuator.....	1
13	800338	Screw, 1/2-13 x 3 1/4 .....	2	36	543401	Spacer, track.....	6
14	805264	Washer, 1/2 .....	2	37	804506	Nut, 5/16-18 .....	2
15	213069	Strut, adjustment spacer.....	2	38	800271	Screw, 5/16-18 x 3/4.....	2
16	805260	Flatwasher, 3/8 std.....	2	39	103-0291	Pad, arm rest (LH) .....	1
17	809001	Nut, whizlock 5/16-18.....	9	40	801070	Screw, 5/16-18 x 3/4 CR.....	2
18	804265	Nut, nylock 1/2-13 .....	2	41	633859	Seat Frame .....	1
19	542283	Pivot wldmnt, actuator.....	1	42	103-0284	Tab, armrest adjustment.....	2
20	800326	Screw, 1/2-13 x 1 1/4 .....	4	43	800275	Screw, 5/16-18 11/2.....	2
21	800292	Screw, 3/8-16 x 1 .....	2	44	633349	Spring, compression .....	1
22	543241	Actuator, linear .....	1	45	805257	Washer, 5/16 SAE .....	1
23	800825	Screw, 7/16-20 x 5 .....	1				

Exmark black touch up spray paint - Gloss black  
 Exmark red touch up spray paint - P/N 850337



## AXLE and HYDRAULICS



Ref. No.	Part No.	Description	Qty. Req'd.	Ref. No.	Part No.	Description	Qty. Req'd.
1	602997	Hub, wheel (tapered).....	2	22	543054	Pin, guide.....	2
	613150	Stud, 1/2-20.....	8	23	802002	Screw, 10-32 x 1/2 thrd ctng..	6
2	803045	Screw, whizlock 3/8-16 x 3/4...	4	24	543541	Breather, filler & cap .....	1
3*	543485	Bearing, pillow base .....	2	25	800271	Capscrew, 5/16-18 x 3/4.....	1
f	840022	Pro-Lock, Nut Type (.5cc Tube) Use on Setscrews in Bearings.		26	542913	Tank, hydraulic .....	1
4*	373021	Clamp, collar (1") .....	2	27	543894	Oil Eye, hyd tank.....	1
5	800290	Capscrew, 3/8-16 x 3/4 .....	4	28	543889	Elbow, 90°.....	2
6	303327	Washer, disc spring 3/8 .....	2	29	543864	Suction strainer.....	1
7	543996	Stabilizer, axle (upper) .....	1	30	807019	Key, woodruff 1 x 1/4 .....	2
8	543476	Stabilizer, (axle lower).....	1	31	543680	Tire, 20 x 10-8.....	2
9	809007	Nut, whizlock 3/8-16 .....	10	32	513042	Rim .....	2
10	805260	Washer, 3/8 std. Flat.....	2	33	543396	Tire and wheel assy.....	2
11	800256	Capscrew, 1/4-20 x 1-1/2.....	1	34	513011	Nut, wheel 1/2-20.....	8
12	805004	Lockwasher, 1/4 hvy. spring....	1	35	803040	Nut, slotted 3/4-16 .....	2
13	503033	Washer, pulley retainer .....	1	36	806800	Pin, cotter, 9/64 x 1-1/2.....	2
14	543359	Fan, 7" OD/10 blade .....	1	37	543055	Transaxle 851-114 Series .....	1
15	543317	Spacer, fan.....	1	38	543888	Elbow, 45° .....	1
16	806328	Rollpin, 7/32 x 7/8 .....	1	f	603919	O-Ring .....	1
17	543928	Pulley, cast iron.....	1	39	807525	Bolt, 3/8-16 x 2-3/4 carriage ...	2
18	543887	Elbow, 90° .....	1	f	840022	Pro-Lock, Nut Type (.5cc Tube) Use on Threads.	
f	603919	O-Ring.....	1	40	807006	Key, woodruff 3/8 x 5/16.....	1
19	543892	Hose Clamp .....	4	41	809001	Nut, whizlock 5/16-18 .....	4
20	543930	Hose, 16.5 Push Lok.....	1	42	513211	Element, oil filter .....	1
21	543931	Hose, 8.0 Push Lok.....	1				

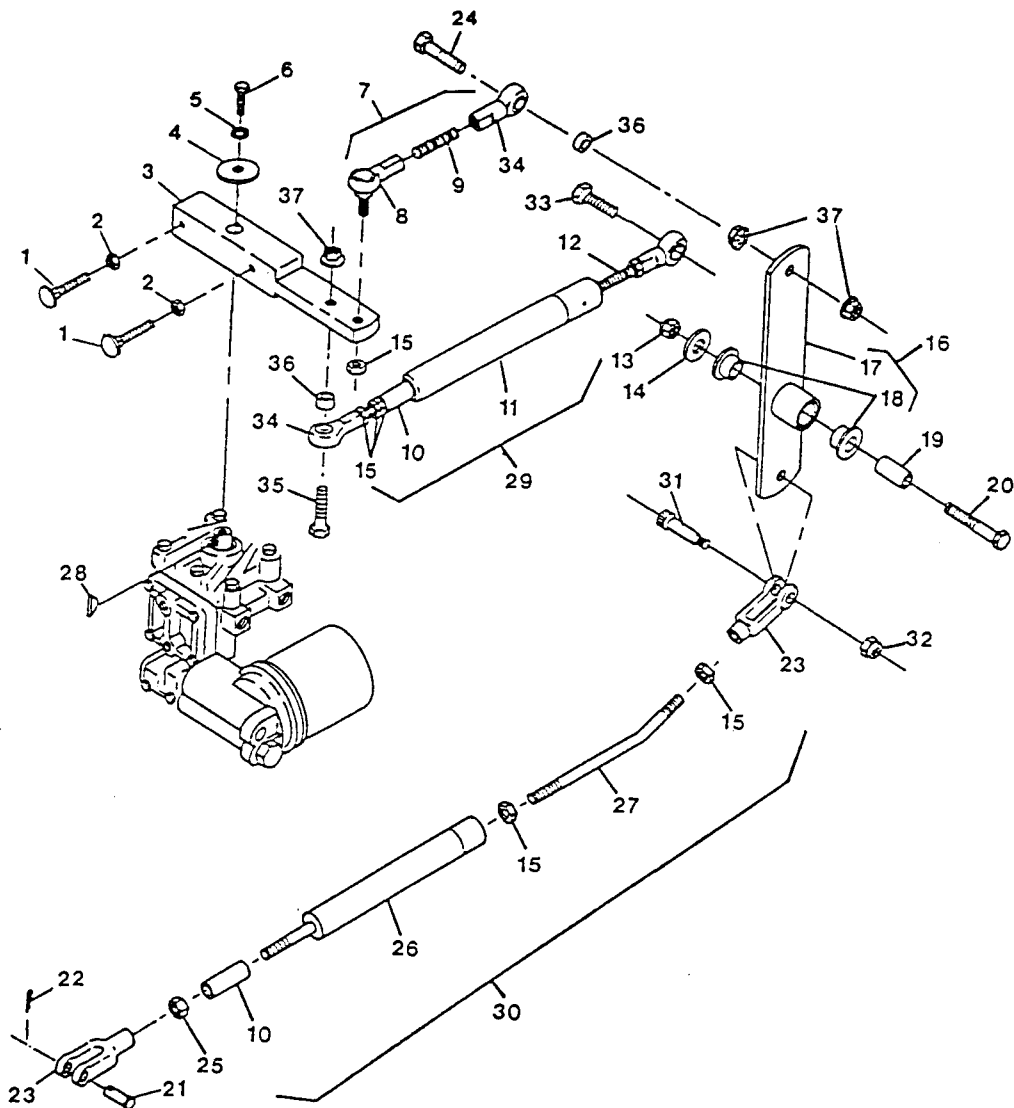
f Not Illustrated.

\* Apply antisieze compound to bore.

Exmark black touch up spray paint - Gloss black

Exmark red touch up spray paint - P/N 850337

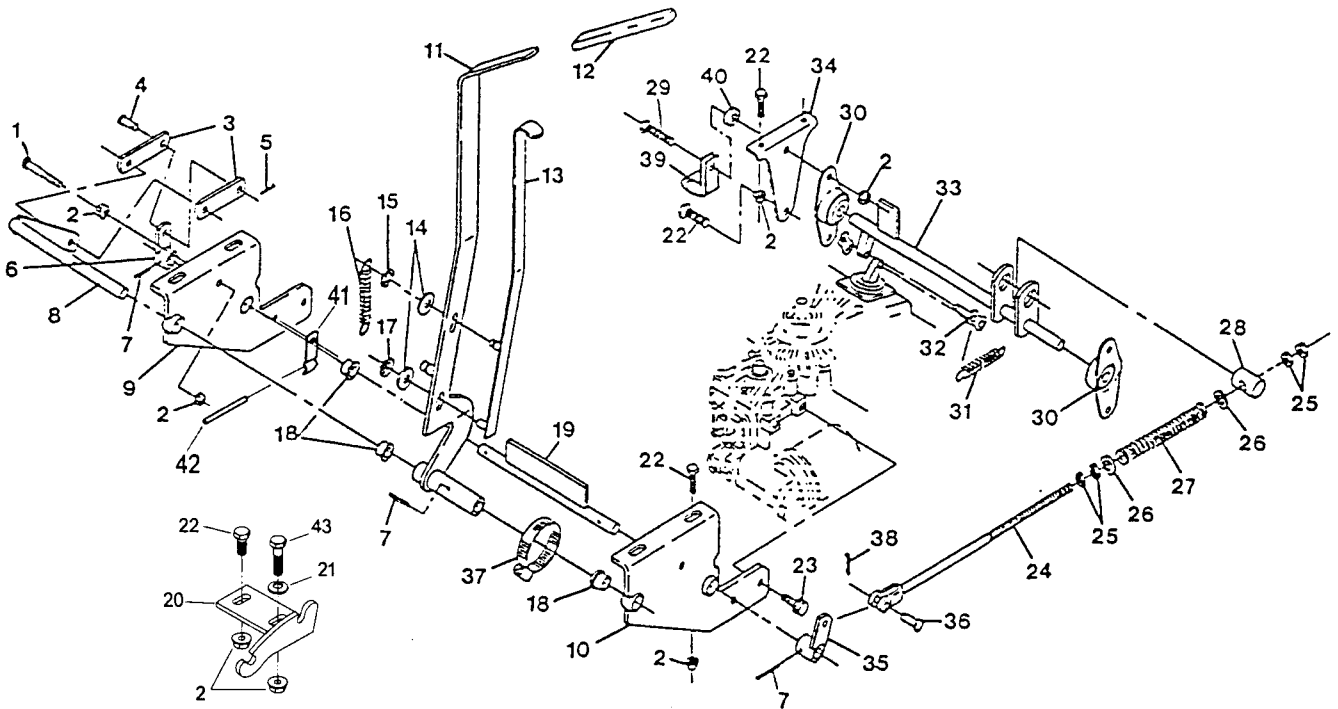
# MOTION CONTROLS



Ref. No.	Part No.	Description	Qty. Req'd.	Ref. No.	Part No.	Description	Qty. Req'd.
1	807522	Bolt, carriage 5/16-18 x 2 .....	2	19	543486	Bushing .....	1
2	804506	Nut, 5/16-18.....	2	20	800279	Capscrew, 5/16-18 x 2-1/2 .....	1
3	542916	Arm, transaxle .....	1	21	808280	Pin, clevis 5/16 x 1 .....	1
4	503033	Washer, pulley retainer .....	1	22	806753	Pin, cotter 3/32 x 1/2 .....	1
5	805004	Washer, lock 1/4 hvy spring ...	1	23	303105	Yoke, adjustable.....	2
6	800751	Capscrew, 1/4-20 x 1-1/2 .....	1	24	800275	Capscrew, 5/16-18 x 1-1/2 .....	1
7	544722	Linkage, motion control .....	1	25	804521	Nut, 5/16-24 .....	1
8	513132	Joint, ball .....	1	26	512136	Housing, override .....	1
9	543710	Rod, end .....	1	27	543052	Rod, link .....	1
f	840022	Pro-Lock, Nut Type (.5ml Tube) Use on both Rod ends		28	807002	Key, woodruff #3, 1/8 x 1/2 .....	1
10	513479	Bushing, spring guide .....	2	29	542725	Spring assy, pedal (center) .....	1
11	542724	Centering spring wldmnt.....	1	30	542053	Spring, pedal (override).....	1
12	543148	Rod, end .....	1	31	809057	Screw, 5/16 x 3/4 sckt hd shld	1
13	804256	Nut, nylock 5/16-18.....	1	32	804255	Nut, nylock 1/4-20 .....	1
14	805258	Washer, 5/16 std. flat .....	1	33	800513	Capscrew, 5/16-24 x 1 .....	1
15	804758	Nut, jam 5/16-24 (RH) .....	8	34	543017	Ball joint.....	3
16	544711	Idler linkage S/A .....	1	35	800274	Capscrew, 5/16-18 x 1-1/4 .....	1
17	542144	Linkage, idler .....	1	36	603500	Spacer.....	2
18	513140	Bearing, control .....	2	37	809001	Nut, whizlock 5/16-18.....	3

Exmark black touch up spray paint - Gloss black  
f Not Illustrated.

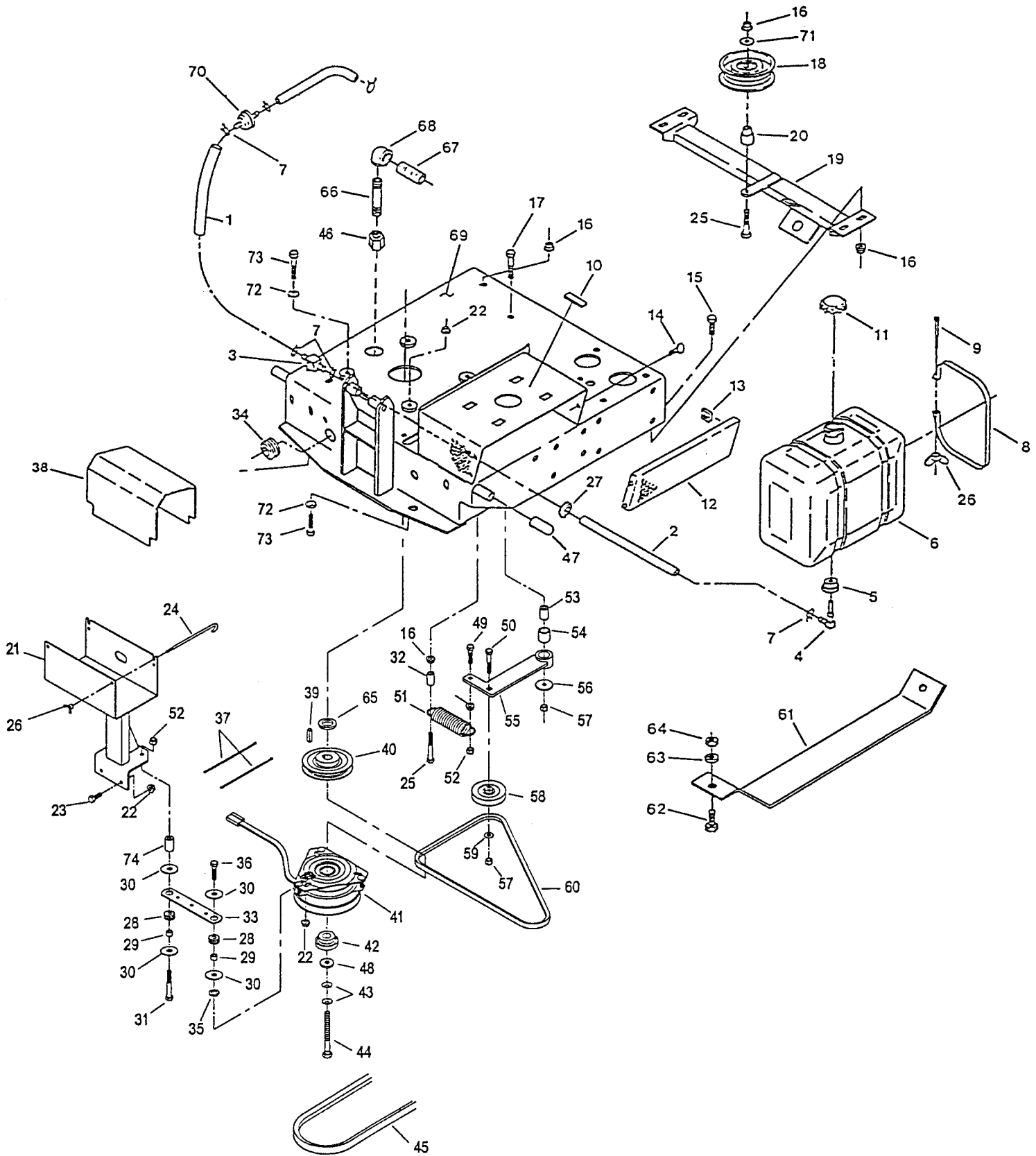
# PARKING BRAKE



Ref. No.	Part No.	Description	Qty. Req'd.	Ref. No.	Part No.	Description	Qty. Req'd.
1	800278	Capscrew, 5/16-18 x 2-1/4.....	1	23	803032	Bolt, whizlock 5/16-18 x 3/4 ....	4
2	809001	Nut, whizlock, 5/16-18.....	13	f	840022	Pro-Lock Nut Type (.5ml Tube) Use on bolt threads	
3	543115	Link, brake .....	2	24	543721	Linkage, brake .....	1
4	808278	Pin, clevis 5/16 x 3/4 .....	2	25	804760	Nut, jam 3/8-24 pltd .....	4
5	806761	Pin, cotter 1/8 x 3/4 .....	2	26	805260	Washer, 3/8 .....	2
6	542123	Arm, butterfly control.....	1	27	543132	Spring, brake protect .....	1
7	806328	Roll pin, 7/32 x 7/8 .....	3	28	543129	Pin, trunion.....	1
8	542190	Pivot wldmt, brake lever.....	1	29	800273	Capscrew, 5/16-18 x 1.....	1
9	552058	Support, transmission (LH) ....	1	30	543514	Flange mntg (side).....	2
10	552059	Support, transmission (RH) ....	1	31	543543	Spring, 3 x 1/2 .....	1
11	542192	Handle, brake.....	1	32	543745	Link, connector #60 .....	1
12	303020	Grip (adjustment lever) .....	1	33	542748	Jackshaft, brake .....	1
13	542719	Trigger, brake .....	1	34	543138	Mount, jackshaft bearing .....	1
14	805257	Washer, 5/16 .....	2	35	542121	Arm, brake control .....	1
15	808512	E Ring .....	1	36	808280	Pin, clevis, 5/16 x 1.....	1
16	513468	Spring, brake handle.....	1	37	543892	Clamp, hose .....	1
17	543798	Pushnut, 5/16.....	1	38	806753	Pin, clevis 3/32 x 1/2.....	1
18	513140	Bearing control.....	4	39	213148	Clamp .....	1
19	542125	Butterfly.....	1	40	543007	Spacer .....	1
20	542900	Quadrant, brake.....	1	41	553056	Spring, dump valve.....	1
21	303334	Washer, disc 5/16.....	2	42	806339	Rollpin 1/4 x 3.....	1
22	800271	Capscrew, 5/16-18 x 3/4.....	9	43	800274	Capscrew, 5/16-18 x 1 1/4.....	1

Exmark red touch up spray paint - P/N 850337  
f Not Illustrated.

# ENGINE DECK GROUP



**ENGINE DECK GROUP**

Ref. No.	Part No.	Description	Qty. Req'd.	Ref. No.	Part No.	Description	Qty. Req'd.
1	303426	Fuel line, 15" (Kohler) .....	1	40	543929	Pulley, engine .....	1
2	303306	Fuel line, 10" .....	1	41	543259	Clutch, electric (Warner) .....	1
3	603770	Valve, fuel line.....	1	42	603609	Bushing, clutch keeper .....	1
4	543277	Elbow, fuel tank w/screen .....	1	43	603610	Washer, spring disc 7/16.....	2
5	513645	Bushing, fuel valve.....	1	44	800820	Capscrew, 7/16-20 x 3.....	1
6	543364	Tank, gas .....	1		840022	Pro-Lock, Nut type (.5 ml Tube)	
7	303077	Clamp, gas line (Kohler) .....	4	45	543523	Belt, deck drive (60" Deck) .....	1
8	303465	Strap, fuel tank.....	2		543749	Belt, deck drive (52" Deck) .....	1
9	801062	Screw, 1/4-20 x 2-1/2.....	2	46	543233	Cap, 3/8 NPT hex.....	1
10	303315	Gas tank pad .....	2	47	303021	Grip (drive lever).....	2
11	513508	Cap, fuel tank.....	1	48	373034	Washer, pivot .....	1
12	542045	Screen, air intake.....	1	49	807518	Bolt, carriage 5/16-18 x 1-1/4. ....	1
13	809024	Nut, retainer 1/4-20.....	1	50	807517	Bolt, carriage 3/8-16 x 1-3/4 ...	1
14	543791	Screw, thumb 1/4-20 x 3/4 .....	1	51	513170	Spring .....	1
15	800290	Capscrew, 3/8-16 x 3/4.....	4	52	804256	Nut, nylock 5/16-18.....	4
16	809007	Nut, flange 3/8-16 .....	7	53	543274	Bushing, steel.....	1
17	800296	Capscrew, 3/8-16 x 2 .....	1	54	543502	Bushing, bronze.....	1
18	543877	Pulley, idler 5 3/4 OD .....	1	55	542270	Arm, hyd drive idler.....	1
19	542958	Cross member .....	1	56	213069	Strut, adjustment spacer .....	3
20	543879	Bushing, idler .....	1	57	804257	Nut, nylock 3/8-16.....	2
21	542069	Mount, battery .....	1	58	543008	Pulley, idler (steel) .....	1
22	809001	Nut, whizlock 5/16-18.....	10	59	805259	Washer, 3/8 SAE.....	1
23	800271	Capscrew, 5/16-18 x 3/4.....	3	60	543548	Belt, "A" (transmission drive) ..	1
24	543882	Bolt, hold down .....	2	61	543258	Plate, skid.....	1
25	800297	Capscrew, 3/8-16 x 2-1/4.....	2	62	800326	Capscrew, 1/2-13 x 1.25.....	2
26	543792	Wingnut, nylock 1/4 .....	4	63	805008	Washer, 1/2 .....	2
27	543296	Grommet, fuel line .....	1	64	804509	Nut, 1/2-13.....	2
28	633630	Grommet.....	2	65	543214	Spacer, crankshaft .....	1
29	633545	Spacer, Grommet .....	2	66*	303427	Nipple, 3/8 NPT x 2.5 .....	1
30	613235	Washer .....	4	67*	543064	Nipple, 3/8 NPT x 1.5 (Koh)....	1
31	800281	Capscrew, 5/16-18 x 3.....	1	68*	303428	Elbow, 3/8 NPT (Kohler).....	1
32	603401	Spacer.....	1	69	552073	Deck, engine.....	1
33	633543	Strap, Clutch .....	1	70	<b>Kohler</b> Part No. 2405002 Fuel Filter.....	1	
34	543286	Grommet.....	1	71	805258	Washer, 5/16 .....	1
35	805005	Washer, lock 5/16.....	1	72	303334	Washer, disc spring 5/16.....	4
36	800274	Capscrew, 5/16-18 x 1-1/4.....	1	73	800276	Capscrew, 5/16-18 x 1-3/4 .....	4
37	303335	Plastic tie, large.....	2	74	553053	Spacer .....	1
38	543891	Battery cover .....	1				
39	807259	Key, 1/4 x 1/4 x 1 .....	1				

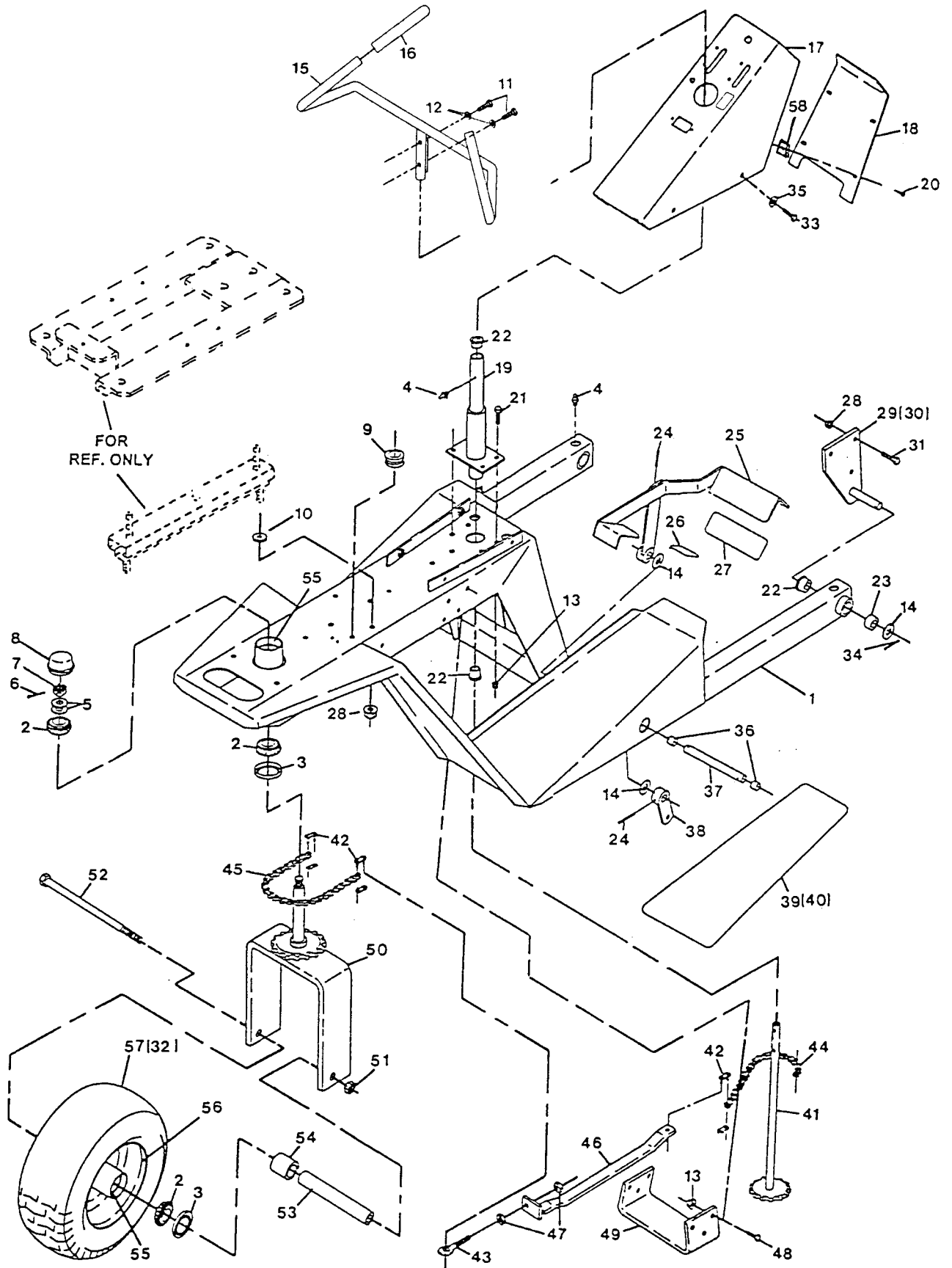
\* Use Teflon Pipe Sealant or equivalent on threads.

Exmark red touch up spray paint - P/N 850337

Exmark black touch up spray paint - Gloss black

◆ Use Pro-Lock, Nut Type (P/N 840022, .5ml tube) on clutch bolt.

# RIDER FRAME and STEERING

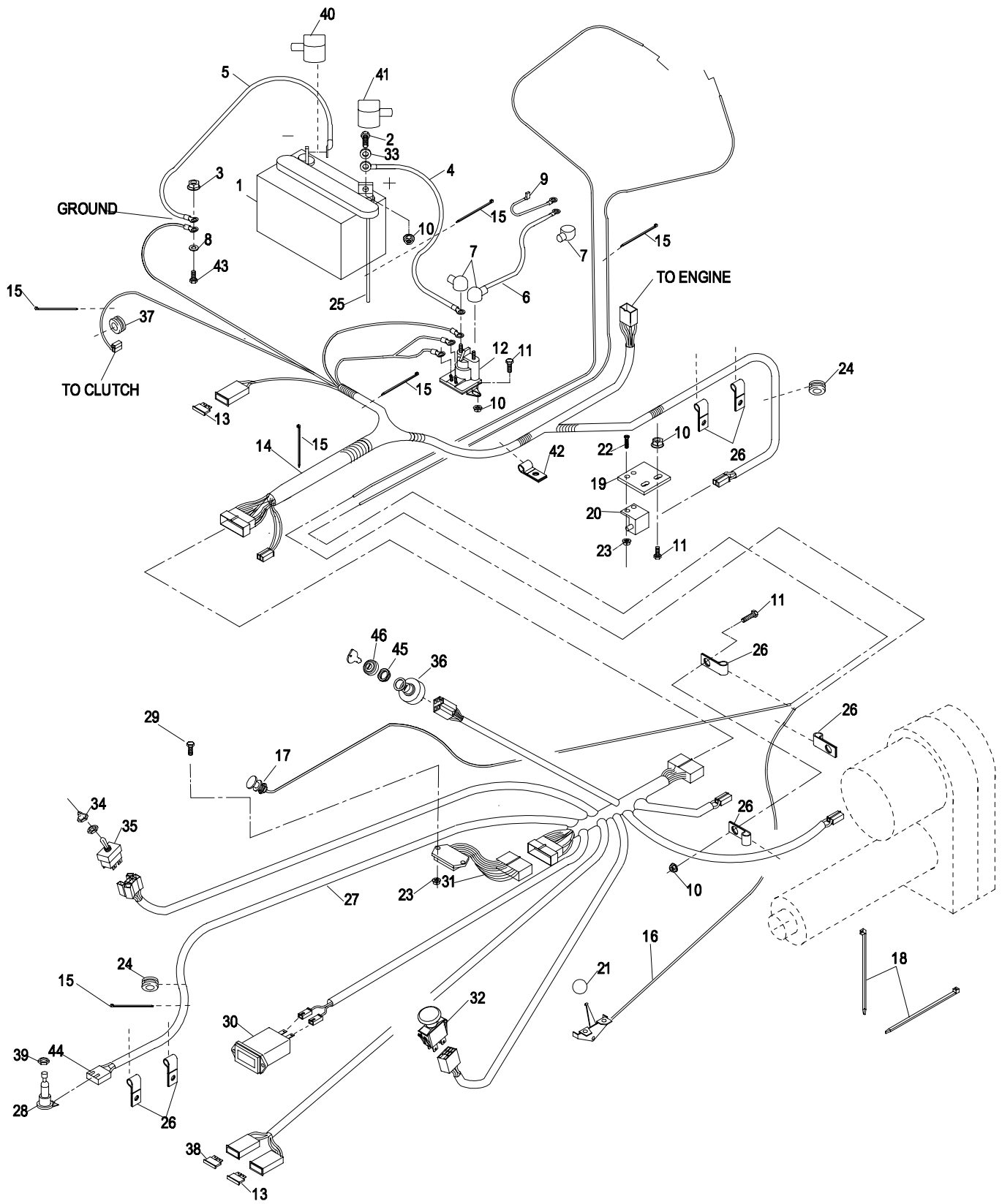


**RIDER FRAME and STEERING**

Ref. No.	Part No.	Description	Qty. Req'd.	Ref. No.	Part No.	Description	Qty. Req'd.
1	542920	Frame, rider.....	1	30f	542194	Bracket, pivot(LH) .....	1
2	543509	Bearing cone, tapered roller ....	4	31	800273	Capscrew, 5/16-18 x 1 .....	5
3	543511	Seal, grease .....	3	32	543679	Tire, 18 x 7.50-8.....	1
4	811006	Zerk, 1/4-28 (straight).....	3	33	800251	Capscrew, 1/4-20 x 5/8.....	4
5	805269	Washer, 3/4sae.....	2	34	806332	Rollpin, 1/4 x 1-1/2 .....	2
6	806770	Pin, cotter 5/32 x 1.25 .....	1	35	805255	Washer, 1/4 .....	4
7	803040	Nut, slotted 3/4-16.....	1	36	513588	Bearing, DU .....	2
8	543513	Cap, grease.....	1	37	543172	Shaft, foot pedal.....	1
9	543296	Grommet .....	1	38	542140	Lever, foot pedal .....	1
10	805258	Washer, 5/16.....	2	39	543159	Pad, rider anti-skid (R).....	1
11	800293	Capscrew, 3/8-16 x 1-1/4 .....	2	40f	543158	Pad, rider anti-skid (L) .....	1
12	303327	Washer, 3/8 disc spring .....	2	41	552025	Shaft, steering.....	1
13	809007	Nut, flange 3/8-16.....	10	42	543573	Link, connector #40 .....	4
14	303007	Washer, 6" caster pivot.....	4	43	543579	Eyebolt, 5/16-18.....	2
15	552023	Handle bar.....	1	44	543885	Chain, #40-29 Pitch .....	1
16	303097	Grip, handle bar .....	2	45	543886	Chain, #40-33 Pitch .....	1
17	553063	Console .....	1	46	542870	Link .....	2
18	543482	Cover, console .....	1	47	804751	Nut, jam 5/16-18 .....	4
19	542728	Steering post .....	1	48	800292	Capscrew, 3/8-16 x 1 .....	6
20	802006	Screw, 10-24 x 1/2 .....	4	49	553007	Stop, actuator.....	1
21	800290	Capscrew, 3/8-16 x 3/4 .....	4	50	542872	Mount, steering wheel.....	1
22	303199	Bushing, 6" caster flange .....	4	51	803042	Nut, torque 5/8-11 .....	1
23	303200	Sleeve, 6" caster .....	2	52	800346	Capscrew, 5/8-11 x 10-1/2.....	1
24	806331	Roll Pin, 1/4 x 1-1/4 .....	2	53	543552	Bushing, wheel.....	1
25	542183	Pedal, foot .....	1	54	543556	Spacer, wheel (short).....	2
26	543161	Pad, reverse control pedal .....	1	55	543508	Bearing cup.....	4
27	543160	Pad, forward control pedal .....	1	56	543674	Rim .....	1
28	809001	Nut, whizlock 5/16-18.....	9	57	543397	Tire/whl assy, 18.0 x 7.50-8....	1
29	542196	Bracket, pivot (RH).....	1	58	803055	U-clip, #10-24.....	4

f Not Illustrated.

Exmark red touch up spray paint - P/N 850337  
 Exmark black touch up spray paint - Gloss black





**ELECTRICAL GROUP**

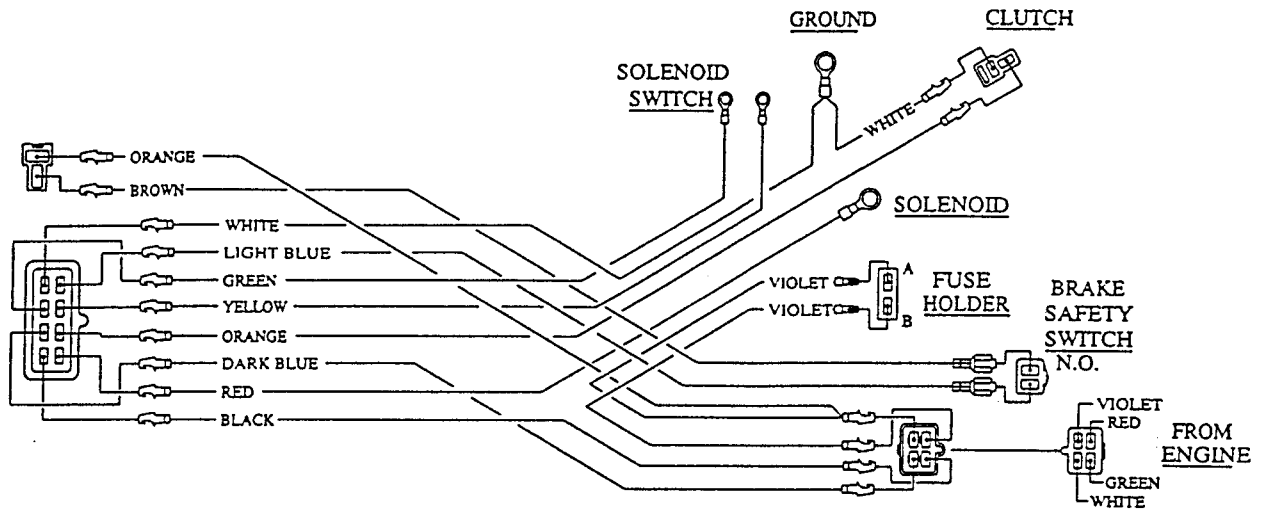
Ref. No.	Part No.	Description	Qty. Req'd.	Ref. No.	Part No.	Description	Qty. Req'd.
1	103-0293	Battery, 12 volt .....	1	25	809040	Hose, battery manifold (23") ...	1
2	800252	Capscrew, 1/4-20 x 3/4 .....	2	26	513762	Clip, 1/2" Loom .....	7
3	809001	Nut, whizlock 5/16-18 .....	1	27	553064	Harness, wire (rider) .....	1
4	513053	Wire, battery (pos. +) .....	1	28	603760	Switch, seat safety .....	1
5	543767	Wire, ground ( - ) .....	1	29	807527	Bolt, carriage. 10-24 x 3/4 .....	4
6	543766	Wire, starter (Kohler) .....	1	30	513374	Meter, engine hours .....	1
7	543393	Insulator, solenoid (pos. +) .....	3	31	543316	Module, safety interlock .....	1
8	303334	Washer, disc spring 5/16 .....	1	32	633673	Switch, toggle w/clip term .....	1
9	543084	Wire, starter solenoid (Koh) ....	1	33	805256	Flatwasher, 1/4 .....	2
10	809012	Nut, whizlock 1/4-20 .....	12	34	543386	Boot, toggle switch .....	1
11	800251	Capscrew, 1/4-20 x 5/8 .....	10	35	543385	Switch, toggle DPDT .....	1
12	513075	Switch, 12 volt solenoid .....	1	36	543070	Ignition switch w/keys .....	1
13	816001	Fuse, blade 20 AMP .....	2		603511	Ignition key .....	2
14	543065	Harness, wire (engine) .....	1	37	543286	Grommet .....	1
15	303287	Plastic tie, (small) .....	6	38	816003	Fuse, blade 30 AMP .....	1
16	633696	Cable, throttle .....	1	39	543348	Nut, 5/8-32 (seat switch) .....	1
17	603336	Cable, choke .....	1	40	543391	Insulator, battery positive .....	1
18	303335	Plastic tie, (large) .....	2	41	543390	Insulator, battery negative .....	1
19	323128	Bracket, safety switch .....	1	42	603727	Clip, 9/16 Loom .....	1
20	513051	Switch, neutral lockout .....	1	43	800276	Capscrew, 5/16-18 x 1-3/4 .....	1
21	513592	Knob, red ball .....	1	44	543335	Connector, Packard 2-way .....	1
22	803017	Screw, 10-24 x 5/8 flathead ....	2	45	103-0498	Nut, Ignition .....	1
23	804252	Nut, nylock 10-24 .....	6	46	103-0499	Seal, Ignition .....	1
24	543296	Grommet .....	1				

NOTE: Apply dielectric grease to all electrical connectors.

## DECALS

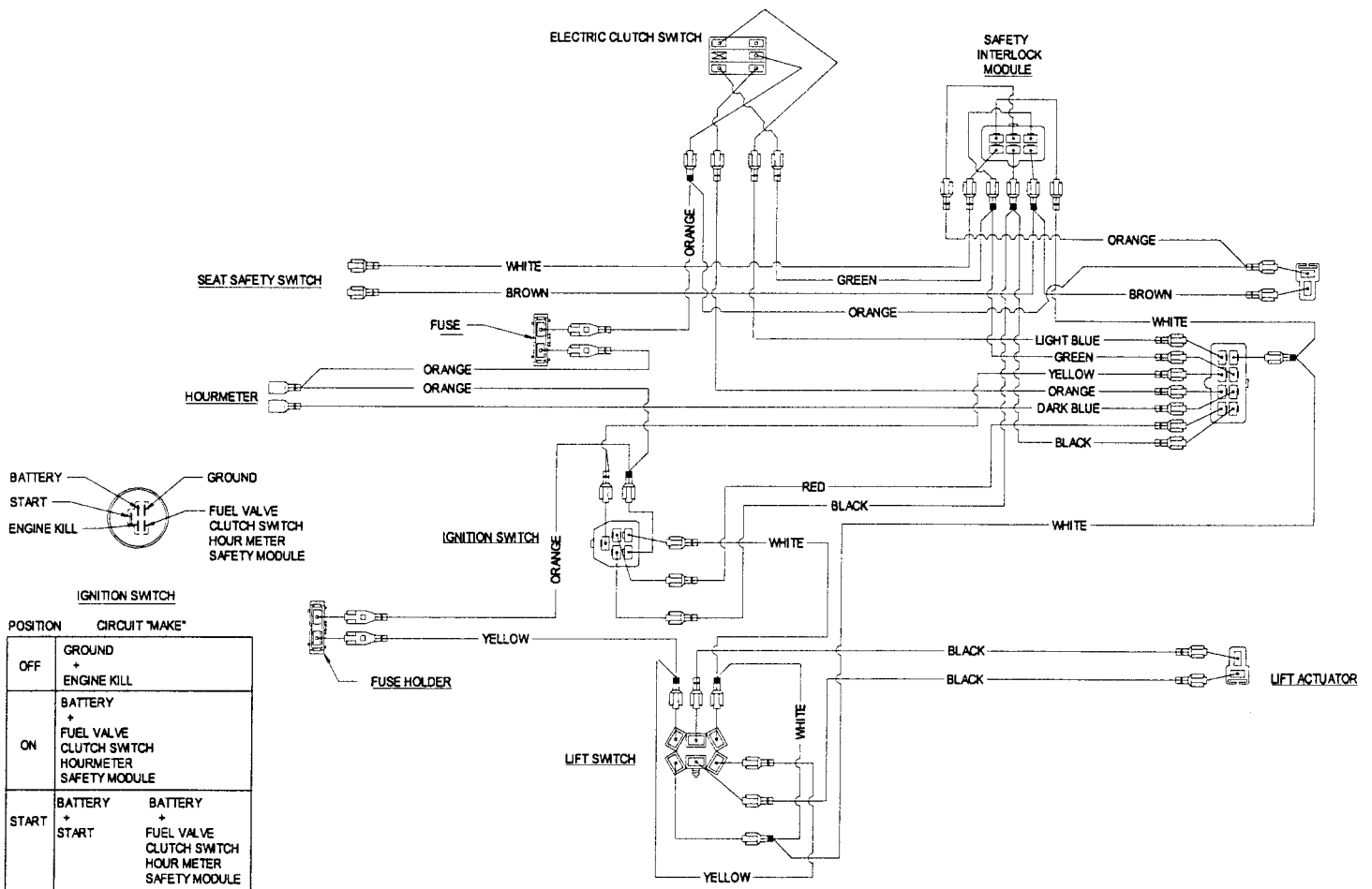
Ref. No.	Part No.	Description	Qty. Req'd.	Ref. No.	Part No.	Description	Qty. Req'd.
1	513747	Decal, Battery .....	1	12	543349	Decal, Turf Ranger "Swash" (small).....	2
2	103-0207	Decal, Instructional .....	1	13	403005	Danger Label.....	2
3	103-0164	Decal, Console .....	1	14	543622	Decal, Brake Lever.....	1
4	323540	Decal, Roller Mounting .....	1	15	553040	Decal, Hydraulic Tank .....	1
5	303508	Decal, Discharge Warning.....	1	16	643386	Decal, Exmark logo .....	1
6	613050	Decal, Commercial 60".....	1	17	103-0160	Decal, Patent Pending.....	2
7	543624	Decal, Foot Pedal .....	1	18	613100	Decal, Belt Routing .....	1
8	303293	Decal, 2 Minute Warning .....	1	19	303520	Decal, Tri-Vantage .....	1
9	403132	Decal, Commercial 52".....	1	20	543620	Decal, Intake .....	1
10	513746	Decal, Muffler .....	1	21	553049	Decal, Mower Deck .....	1
11	543293	Decal, Turf Ranger "Swash" (large).....	2		551016	Decal Kit Complete .....	1

# ELECTRICAL DIAGRAM



## Engine Deck Wiring Diagram

**NOTE:** All connectors are viewed from the *wire input* side of the connector.



## Console Wiring Diagram

**NOTE:** All connectors are viewed from the *wire input* side of the connector.

**SEE EXMARK'S COMPLETE  
LINE OF PRODUCTS FOR TURF CARE**

**LAZER Z™**

**LAZER Z™ HP**

**TURF RANGER®**

**TURF TRACER®**

**TURF TRACER® HP**

**VIKING HYDRO**

**METRO™**

**METRO™ HP**

**SELF STEERING SULKY**

**GRASS CATCHER**

**MICRO-MULCH™ ACCESSORY**

©1997,1998, 1999, 2000  
EXMARK MFG. CO. INC.  
INDUSTRIAL PARK BOX 808  
BEATRICE, NE 68310  
ALL RIGHTS RESERVED

PART NO. 103-0548  
(402) 223-6300  
FAX (402) 223-5489  
PRINTED IN U.S.A.

