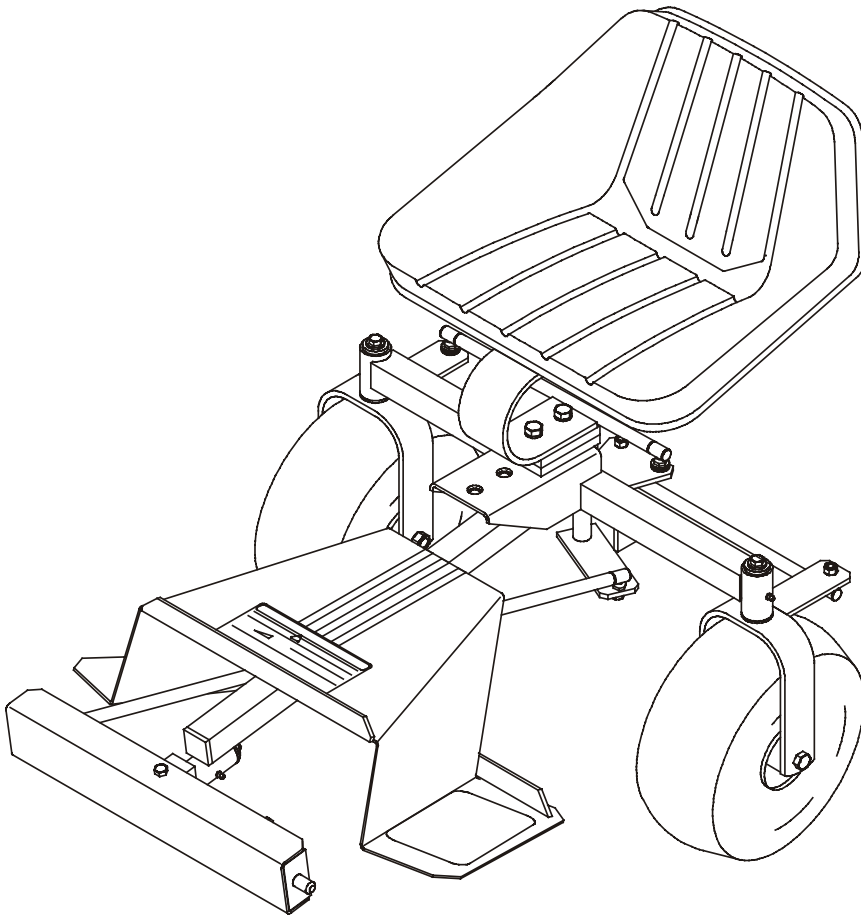


For Serial Nos.  
115,000 & Higher



# STEERABLE SULKY

# OPERATOR'S & PARTS MANUAL

## EXMARK PARTS PLUS® PROGRAM

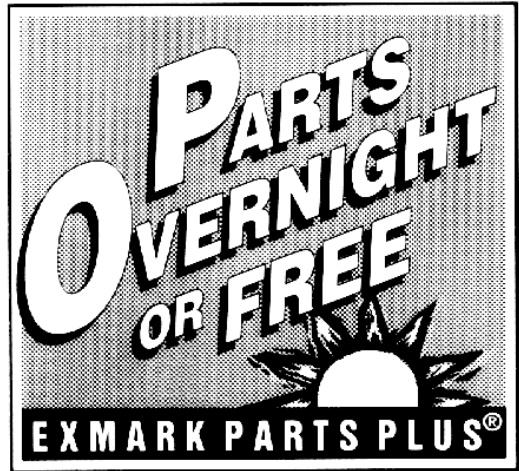
**EFFECTIVE DATE: September 1, 1995**

### Program

If your Exmark dealer does not have the Exmark part in stock, Exmark will get the parts to the dealer the next business day or the part will be FREE\* Guaranteed!!

### *How the Program Works*

1. If dealer does not have part in stock for a "down" unit at the time of request by customer, the dealer contacts his distributor by 1:00 p.m., local time, and requests Exmark Parts Plus® shipment of six (6) line items or less.
2. Distributor ships part(s) to dealer or customer, as requested by dealer, same day, overnight UPS. Distributor bills dealer for part and freight charges where applicable.
3. If distributor does not have the part(s) in stock to satisfy Exmark Parts Plus® order, he contacts Exmark by 3:00 p.m., central time, with an Exmark Parts Plus® order of six (6) line items or less.
4. If order is received by 3:00 p.m. central time, Exmark ships part(s) direct to dealer or customer, as requested by distributor, same day, overnight UPS. Exmark bills the distributor for parts and shipping charges, where applicable.
5. The customer pays for the part and freight if it is shipped under the Exmark Parts Plus® and if it arrives in accordance to the program.
6. Who pays for the part and freight if it fails to arrive overnight in accordance to the program?
  - A. Under any circumstance the customer does not pay.
  - B. If the part does not arrive overnight due to:
    1. The dealer not submitting the Exmark Parts Plus® order to his Exmark distributor by 1:00 p.m., the dealer pays for the part and freight.
    2. The Distributor being unable to ship the part the same day or not submitting the Exmark Parts Plus® order to Exmark by 3:00 p.m., central time, the Distributor pays for the part and freight.
    3. Exmark being unable to ship the part and the Exmark parts order is received by 3:00 p.m., central time, Exmark pays for the part and freight.
    4. If the part does not arrive overnight due to the shipper (UPS), the shipper pays for the freight and Exmark pays for the part.



**The following restrictions apply** -- The Exmark Parts Plus® Program is available only through participating Exmark Dealers and applies only to orders submitted on this program Monday through Thursday. UPS has initiated a Saturday delivery program to many areas of the continental United States and can be requested for an overnight shipment on Friday to be delivered Saturday. The next day air charge, plus the Saturday delivery fee will be the responsibility of the purchaser. Exmark Mfg. will assume no responsibility for Saturday delivery shipments. To qualify, all Exmark Parts Plus® orders must be received by Exmark by 3:00 p.m., central time. Orders must be six (6) line items or less. Exclusions from the Exmark Parts Plus® Program are: Any wholegood or accessory in its entirety, engines and engine replacement parts, 5-speed Peerless transmissions and 5-speed transaxles, hydraulic or hydrostatic wheel motors, cutter decks and engine decks or any item exceeding United Parcel Service size and weight restrictions.

Due to UPS restrictions, aerosol spray paint is considered a hazardous material and cannot be shipped via UPS next day or Second Day Air.

Exmark Manufacturing stocks a limited supply of parts for transaxles, pumps and wheel motors. These parts can be ordered for Next Day Air shipment but will not be guaranteed per the Parts Plus Program.

## ASSEMBLY INSTRUCTIONS

After removing your sulky from the carton, some simple assembly steps are needed to put your unit in operation.

1. Remove parts from the carton and lay out in an orderly fashion.
2. Install the wheel assemblies to each side of the sulky frame. Fasten with one 3/8-16 x 1 hex capscrew, one 3/8" pivot washer, and one 3/8" lockwasher on each side. See Figure 1.
3. Install the crank assembly to the center rear portion of the sulky frame. Fasten with one 3/8-16x1 hex capscrew, one 3/8" pivot washer, and one 3/8" lockwasher. See Figure 1.

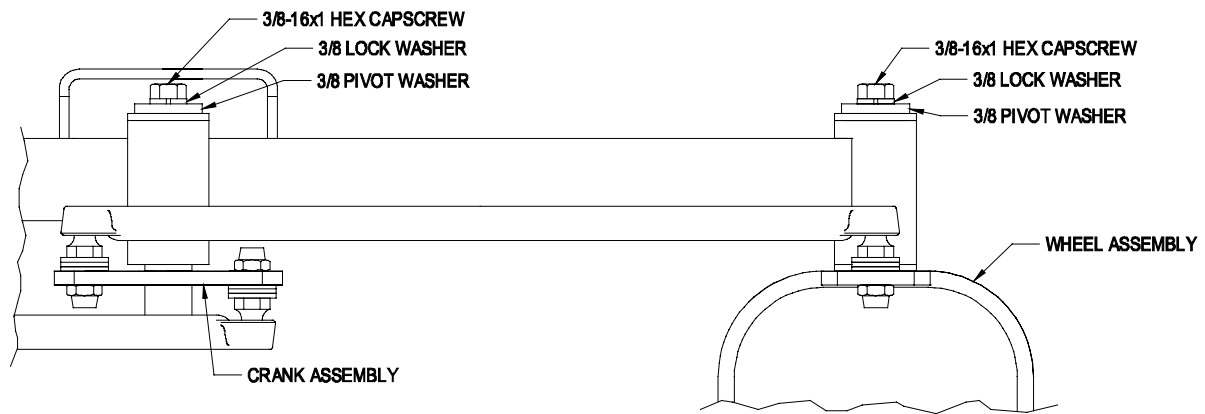


Figure 1

4. Install the front hitch assembly. Insert the pivot spacer sleeve into the front pivot housing of the sulky frame. Fasten the hitch assembly to the sulky frame with one 3/8-16 x 4" hex capscrew, one 3/8" pivot washer, and one 3/8" disc spring washer. Be sure the "cup" of the disc spring washer is against the pivot washer. Torque bolt to 30-35 ft/lbs. See Figure 2.

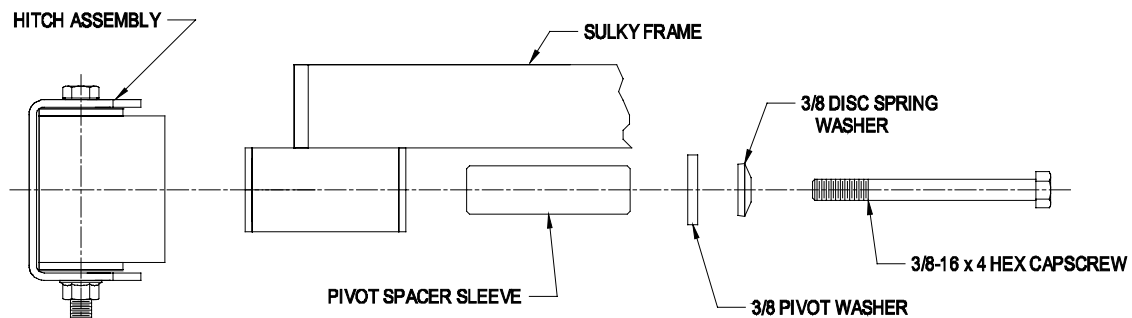
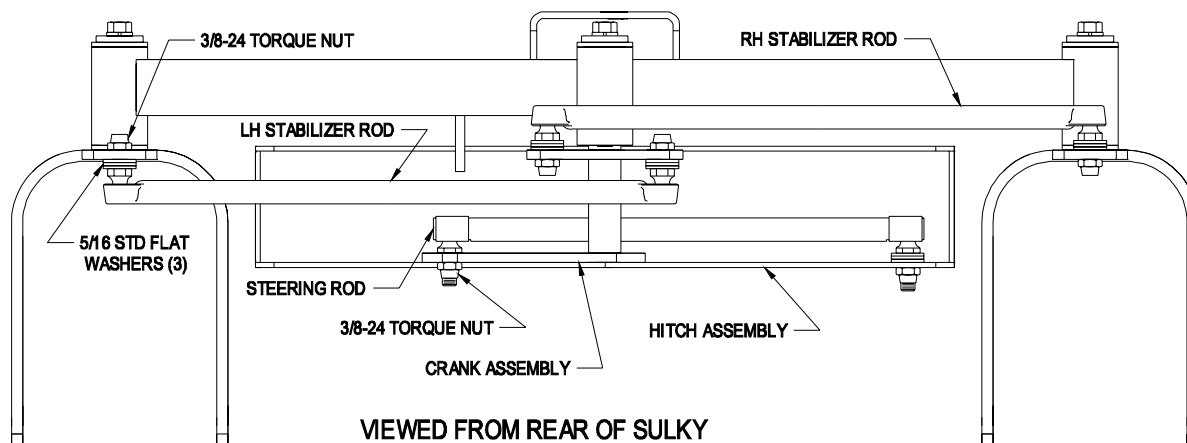


Figure 2

5. Install steering stabilizing rods. Place three (3) 5/16" standard flatwashers onto each ball stud at the ends of the stabilizing rods. Insert one end of the LH stabilizing rod up through the bottom side of the LH wheel steering arm and insert the other end through the bottom side of the right hole in the crank assembly, then fasten with two (2) 3/8" torque nuts. Insert one end of the RH stabilizing down through the top side of the RH wheel steering arm and insert the other end in the left hole in the crank assembly, then fasten with two (2) 3/8" torque nuts. See Figure 3.



**Figure 3**

6. Install the steering rod. Place three 3/8" standard flat washers onto the ball stud at one end of the steering rod. Insert the stud through the top side of the hole located on the hitch assembly RH lower section. Fasten with one 3/8" torque nut. Secure opposite end to the hole in the lower arm of the crank assembly. Fasten with one 3/8" torque nut. See Figure 3.
7. Attach seat to sulky seat spring using two 1/2" x 1 bolts and two 1/2" lock washers. Attach seat and spring assembly to sulky frame with two spring spacers, using two 1/2 x 2 1/4 bolts and two 1/2 lock washers, as shown on page 4. Refer to the Adjustments section for proper placement.
8. Mount the sulky hitch to the mower. Follow the directions included with the hitch kit.  
NOTE: The hitches are not interchangeable between models. They are designed to keep the operator controls within proper reach for maximum operator safety and comfort.
9. Attach sulky to hitch mount by placing the RH stationary hitch pin in the RH hitch mount hole. Pull back on the spring loaded LH hitch mount pin and swing the LH end of hitch into the position that allows the spring pin to snap into the LH hitch mount hole.
10. Make sure all five (5) grease fittings are properly greased.

## ADJUSTMENTS

1. There are three fore and aft positions for the seat. To adjust the seat, remove the 1/2" hardware attaching seat spring and spacers to sulky frame, reposition the seat to desired position and replace hardware.

Generally the forward position is for operators up to 66-1/2" tall, the middle position for operators 66-1/2" to 70" tall, and the rear position for operators above 70" tall.

NOTE: The height of the seat can also be adjusted by placing the two (2) spacers either above or below the seat spring.

## MAINTENANCE

1. Grease all zerks daily unless noted with one or two pumps of SAE No. 2 multi-purpose gun grease.  
Zerk Locations:
  - A. One at each wheel pivot housing.
  - B. One at the steering crank pivot housing.
  - C. One at the draw bar pivot housing.
  - D. One at the pivot block.
  - E. One at each wheel bearing - weekly
2. Maintain recommended tire pressure (20-22 PSI).
3. Keep nuts and bolts tight and keep sulky in good operating condition. If the 3/8" x 4" capscrew that is threaded into the pivot block is removed, be sure to torque to 30-35 ft/lbs.

## SAFE OPERATING INSTRUCTIONS

### **WARNING**

**Failure to follow safe operating practices may result in personal injury and/or damage to equipment.**

1. Do not operate on slopes over 15 degrees. See inside back cover to determine the approximate slope angle of the area to be mowed.
2. Reduce speed when making sharp turns and operating on hillsides. Failure to do so may result in loss of control or tip over.
3. Disengage blade drive and shut off engine before dismounting.
4. Do not back up or down a ramp with sulky attached to mower - loss of control may result.
5. **Never** carry passengers.
6. Watch for holes, ruts, or bumps. Uneven terrain could overturn the sulky.
7. While operating mower with a sulky attached, **keep feet on footrest at all times.**

### **CAUTION**

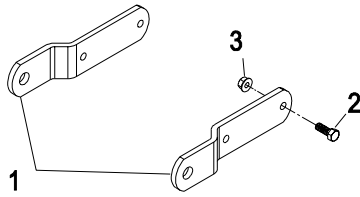
**Additional precautions may be necessary, depending on conditions at the worksite or in the service area. The manufacturer has no control over machine application, operation, inspection, lubrication or maintenance. Therefore it is YOUR responsibility to use good safety practices in these areas**

## TROUBLE SHOOTING

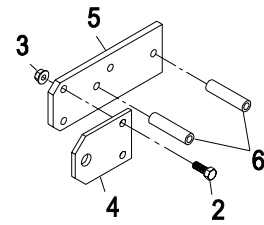
If the sulky does not track directly behind mower when moving in a straightforward motion.

1. Check for wear in the wheel bearings.
2. Check for wear in the pivot bushings (wheels, crank, block, and draw bar).
3. Check for wear in the ball joints of the stabilizer rod (2) and the steering rod.

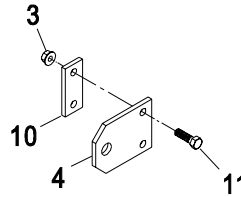
## SULKY HITCH KIT PARTS



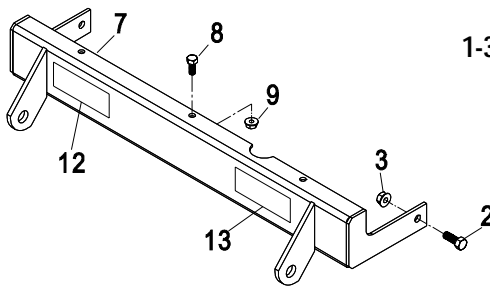
**METRO**  
1-301023 KIT, HITCH SULKY



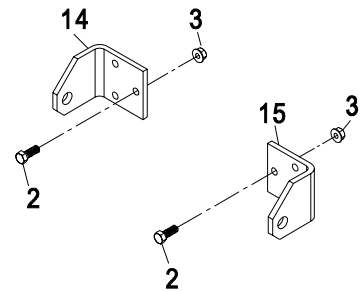
**VIKING HYDRO**  
1-301022 KIT, HITCH SULKY



**VIKING 5-SPEED**  
1-301012 KIT, HITCH SULKY



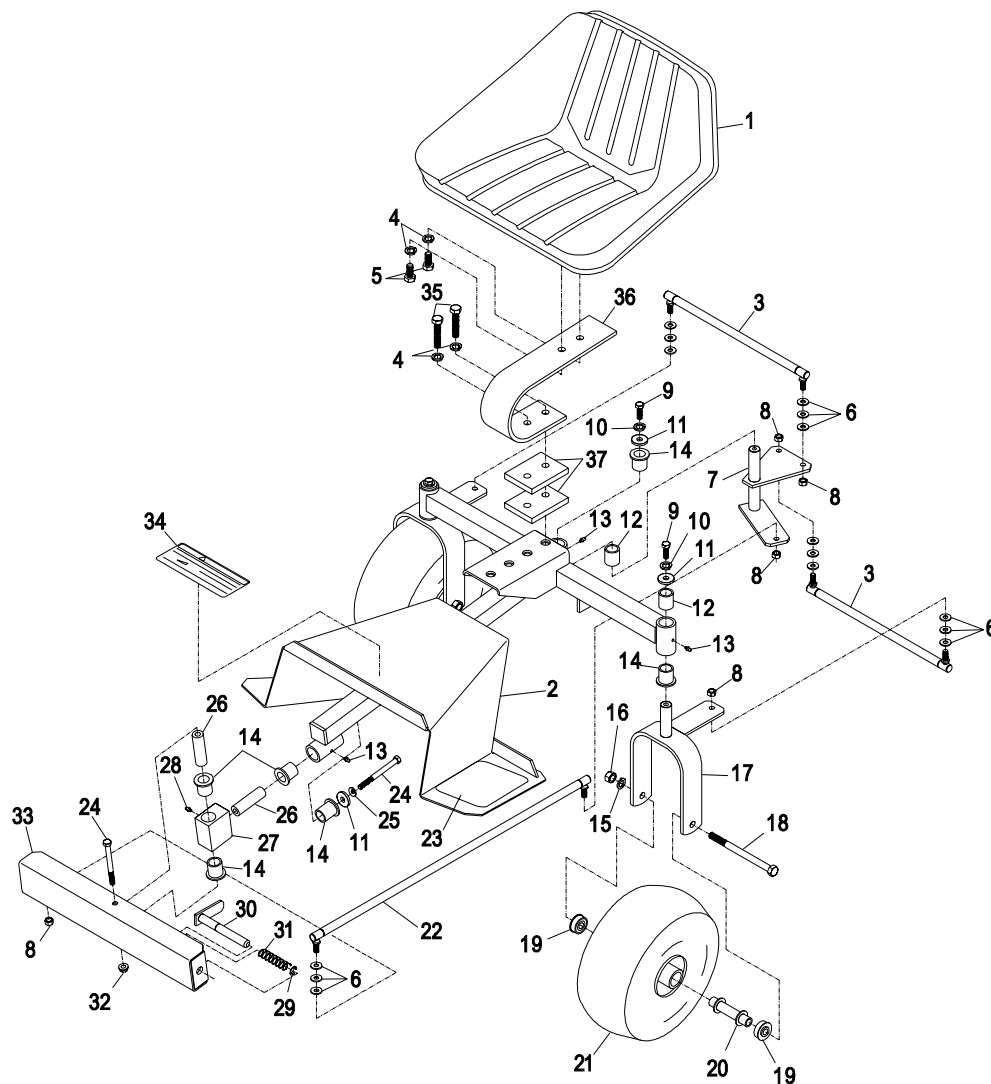
**TURF TRACER HYDRO**  
1-601000 KIT, HITCH SULKY



**METRO HP & TURF TRACER HP**  
1-411255 KIT, HITCH SULKY

Ref. No.	Part No.	Description	Quantity Required for each Kit				
			1-301023	1-301022	1-601000	1-301012	1-411255
1	1-323318-01	Bracket, Hitch	2				
2	323-6	Screw, 3/8-16x1 Hex Hd	4	4	2		6
3	3290-357	Nut 3/8-16 Whizlock	4	4	2	4	6
4	1-373036-01	Mount, Hitch		2		2	
5	1-323238-01	Bracket, Hitch Adapter		2			
6	1-323240-01	Spacer, Shield		4			
7	1-602438-01	Hitch weldment			1		
8	322-3	Screw, 5/16-18x3/4 Hex Hd			3		
9	32128-20	Nut 5/16-18 Whizlock			3		
10	1-373060	Plate, Back up				2	
11	323-7	Screw, 3/8-16x1-1/4 Hex Hd				4	
12	1-303517	Decal - Belt Drive			1		
13	1-403143	Decal - Sulky Warning			1		
14	1-413252-01	Bracket, Sulky LH					1
15	1-413254-01	Bracket, Sulky RH					1

## STEERABLE SULKY PARTS



Ref. No.	Part No.	Description	Qty. Req'd.	Ref. No.	Part No.	Description	Qty. Req'd.
1	1-372033	Seat w/ decal .....	1	21	1-513058	Wheel and tire w/o bearing	2
	1-543788	Decal, Large "Exmark" .....	1		1-512373	Wheel and tire w/bearing ..	2
2	1-372036	Sulky frame w/bsngs&decals	1		1-513023	Wheel.....	2
3	1-373031	Rod, stabilizing .....	2		1-513032	Tire 11 x 4.5 .....	2
4	3253-7	Washer, 1/2" lock .....	4	22	1-373032	Rod, steering.....	1
5	325-4	Screw, 1/2-13 x 1" cap.....	2	23	1-373065	Pad, anti-skid .....	2
6	3256-3	Washer, 5/16" flat.....	15	24	323-16	Screw. 3/8-16 x 4" cap .....	2
7	1-372015-01	Crank weldment.....	1	25	98-5975	Washer, 3/8 disc spring ....	1
8	1-803031	Nut, 3/8-24 torque.....	6	26	1-373030	Sleeve, pivot spacer.....	2
9	323-6	Screw, 3/8-16 x 1 cap.....	3	27	1-372027	Block, pivot w/zerk & bsng	1
10	3253-5	Washer 3/8 lock.....	3	28	302-19	Zerk, 1/4-28 straight.....	1
11	1-373034	Washer, pivot .....	4	29	32120-19	E-ring 5/8" .....	1
12	1-303041	Bushing, straight pivot .....	3	30	1-372017	Pin, hitch release.....	1
13	302-52	Zerk, 1/8 NPT straight .....	4	31	1-373054	Spring, hitch release .....	1
14	1-303514	Bushing, flanged pivot .....	7	32	3290-357	Nut 3/8-16 whizlock.....	1
15	3253-7	Washer, lock.....	2	33	1-372019-01	Hitch weldment.....	1
16	3217-9	Nut 1/2-13.....	2	34	1-373067	Decal, operator caution .....	1
17	1-372013-01	Yoke, wheel support .....	2	35	325-9	Screw, 1/2-13 x 2-1/4" cap.	2
18	325-33	Screw, 1/2-13 x 6-1/2" .....	2	36	1-373070-01	Spring, sulky seat.....	1
19	1-513009	Bearing, wheel.....	4	37	1-373076-01	Spacer, sulky seat.....	2
20	1-512001	Spacer, wheel bearing.....	2				

## WARRANTY

Limited Warranty Exmark Commercial Turf Equipment Exmark Mfg. Co. Inc. ("Exmark") warrants on the terms and conditions herein, that it will repair, replace or adjust any part manufactured by Exmark and found by Exmark (in the exercise of its reasonable discretion) to be defective in factory material or workmanship.

This warranty is limited to one year from the date of original retail purchase (90 days for rental use) for any Exmark mower that is used for commercial or any other income producing purpose. The Blade Spindle assemblies will be warranted for three years, one year parts and labor with an additional two years parts only, from date of original retail purchase against defects in materials or workmanship. The hydrostatic traction drive system, excluding hoses, will be warranted for two full years from date of original retail purchase against defects in materials or workmanship. Exmark Mfg. will extend the Peerless 5-speed transmission manufacturer's warranty from 90 days to one year. Belts and tires are warranted for 90 days against defects in materials or workmanship.

The engine warranty is covered by its respective engine manufacturer. Please refer to the engine manufacturer's warranty statement that is included in the literature packet. Exmark is not authorized to handle warranty adjustments on engines. Engine warranties should be referred to the nearest authorized service outlet of the engine manufacturer.

This warranty extends only to the original retail purchaser of the equipment. The warranty may not be assigned or transferred without the prior express written consent of Exmark. The warranty commences upon the date of the original retail purchase.

The Exmark turf equipment, including any defective part, must be returned to an authorized Exmark service dealer within the warranty period. The warranty shall extend to cost to repair or replace (as determined by Exmark) the defective part, including labor. The expense of delivering the mower to the dealer for warranty work and the expense of returning it back to the owner after repair or replacement will be paid for by the owner. Exmark's responsibility in respect to claims is limited to making the required repairs or replacements, and no claim of breach of warranty shall be cause for cancellation or rescission of the contract of sale of any Exmark mower. Proof of purchase may be required by the dealer to substantiate any warranty claim. All warranty work must be performed by an authorized Exmark service dealer.

This warranty extends only to turf equipment operated under normal conditions and properly serviced and maintained. The warranty expressly does not cover: (i) any defects, damage or deterioration due to normal use, wear and tear, or exposure; (ii) normal maintenance services, such as oil change, cleaning, lubrication; adjustment; (iii) replacement of service items, such as oil, lubricants, spark plugs, belts, rubber hoses or other items subject to normal service replacement; (iv) damage or defects arising out of or relating to misuse, neglect, alteration, negligence or accident; (v) repair or replacement arising from operation of or use of the turf equipment which is not in accordance with operating instructions as specified in the operator's manual or other operational instructions provided by Exmark; (vi) repair or replacement arising as a result of any operation from turf equipment that has been altered or modified so as to, in the determination of Exmark, adversely affect the operation, performance or durability of the equipment or that has altered, modified or affected the turf equipment so as to change the intended use of the product; (vii) repair or replacement necessitated by use of parts, accessories or supplies, including gasoline, oil or lubricants, incompatible with the turf equipment or other than as recommended in the operator's manual or other operational instructions provided by Exmark; (viii) repairs or replacements resulting from parts or accessories which have adversely affected the operation, performance or durability of the turf equipment; or (ix) damage or defects due to or arising out of repair of turf equipment by person or persons other than an authorized Exmark service dealer or the installation of parts other than genuine Exmark or Exmark recommended parts.



As a condition to this warranty, customer shall have read the operator's manual and shall have returned to Exmark, within the prescribed time, the enclosed warranty registration card.

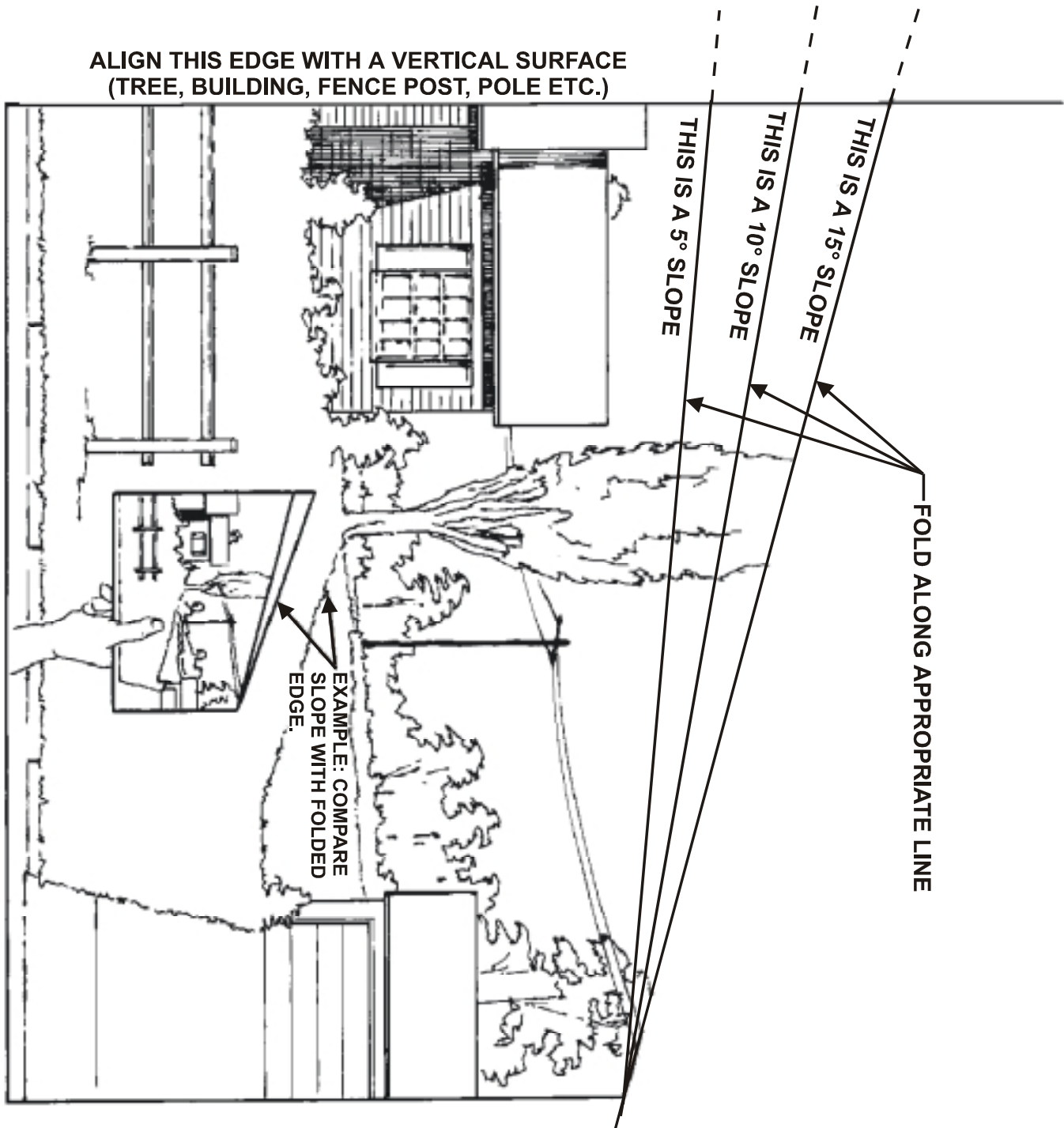
The sole liability of Exmark with respect to this warranty shall be repair and replacement as set forth herein. Exmark shall have no liability for any other cost, loss or damage, including but not limited to, any incidental or consequential loss or damage. In particular, Exmark shall have no liability or responsibility for: (i) expenses relating to gasoline, oil or lubricants; (ii) loss, cost or expense relating to transportation or delivery of turf equipment from the location of owner or location where used by owner to or from any authorized Exmark service dealer; (iii) travel time, overtime, after hours time or other extraordinary repair charges or charge relating to repairs or replacements outside of normal business hours at the place of business of the authorized Exmark service dealer; (iv) rental of like or similar replacement equipment during the period of any warranty, repair or replacement work; (v) any telephone or telegram charges or travel charges; (vi) loss or damage to person or property other than that covered by the terms of this warranty; (vii) any claims for lost revenue, lost profit or additional cost as a result of a claim of breach of warranty; or (viii) attorney's fees.

There are no representations or warranties which have been authorized and provided to the buyer of the turf equipment, other than as set forth in this warranty. Any and all statements or representations made by any seller of this equipment, including those set forth in any sales literature or made orally by any sales representative, are superseded by the terms of this warranty. Any affirmation of fact or promise made by Exmark or any of its representatives to the buyer which relates to the goods that are the subject of this warranty shall not be regarded as part of the basis of the bargain and shall not be deemed to create any express warranty that such goods shall conform to the affirmation or promise.

THERE ARE NO UNDERSTANDINGS, AGREEMENTS, REPRESENTATIONS, OR WARRANTIES, EXPRESS OR IMPLIED (INCLUDING BUT NOT LIMITED TO ANY REGARDING THE MERCHANTABILITY OR FITNESS FOR A PARTICULAR PURPOSE), NOT SPECIFIED HEREIN, RESPECTING THE EQUIPMENT WHICH IS THE SUBJECT OF THIS WARRANTY.

This warranty applies to all Exmark turf equipment sold in the United States and Canada and intended to be used for commercial purposes.

**NOTES**



**SEE EXMARK'S COMPLETE  
LINE OF PRODUCTS FOR TURF CARE**

**LAZER Z<sup>®</sup>**

**LAZER Z<sup>®</sup> HP**

**EXPLORER<sup>®</sup>**

**TURF RANGER<sup>®</sup>**

**TURF TRACER<sup>®</sup>**

**TURF TRACER<sup>®</sup> HP**

**VIKING HYDRO**

**METRO<sup>®</sup>**

**METRO<sup>®</sup> HP**

**SELF STEERING SULKY**

**GRASS CATCHER**

**MICRO-MULCH<sup>™</sup> ACCESSORY**

©1997,1998,2000  
EXMARK MFG. CO. INC.  
INDUSTRIAL PARK BOX 808  
BEATRICE, NE 68310  
ALL RIGHTS RESERVED

PART NO. 1-850595 Rev. B  
(402) 223-6300  
FAX (402) 223-5489  
PRINTED IN U.S.A.

