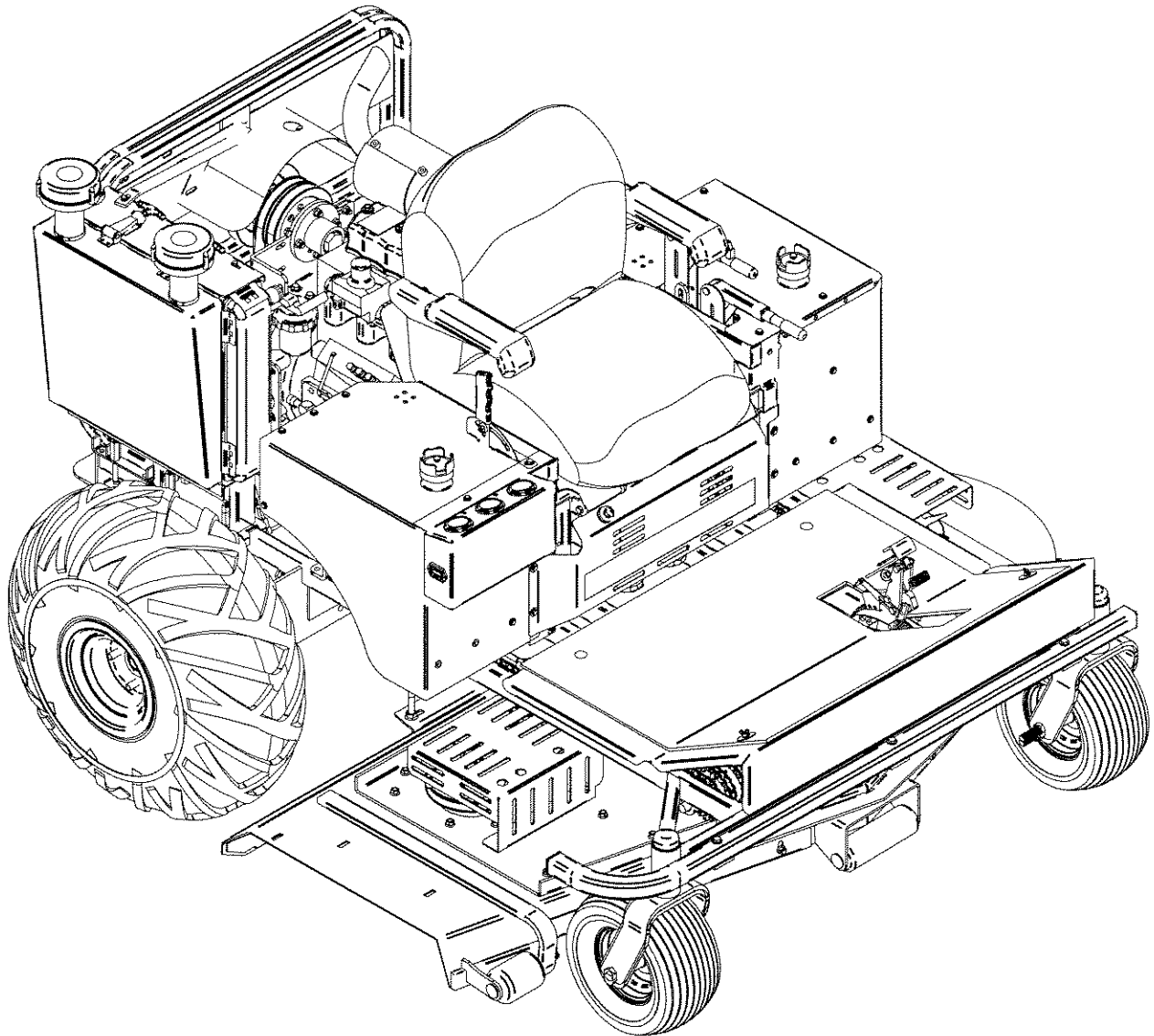


DIXIE CHOPPER

The World's Fastest Lawn Mower



Model # _____

Engine Model # _____

Serial # _____

Engine Serial # _____

Date Purchased _____

Engine Spec. # _____

XXWD5000 DIESEL MODEL

700037

August, 2004

DIXIE CHOPPER

CONTENTS

QUICK REFERENCE PARTS	1
DECALS	2
DECAL PLACEMENT	5
FRAME	6
WHEELS & TIRES	7
FOOT PEDAL	8
DECK LIFT SYSTEM	9
72" OCDC	10
72" DECK	11
HUBS AND BELTS	13
TRANSMISSION FRAME	14
WHEEL MOTOR	16
HYDRAULIC HOSE DIAGRAM	17
FUEL SYSTEM	18
THROTTLE	19
BRAKE & DECK ENGAGING	20
BODY	21
RADIATOR	23
ENGINE AIR FILTER	24
MOTOR MOUNT	25
REAR IDLERS	26
ENGINE	27
ELECTRICAL DIAGRAM	33

DIXIE CHOPPER.

Congratulations on your purchase of a **DIXIE CHOPPER** lawn mower. We believe you have exercised excellent judgement, and are most appreciative of your patronage.

**Your DIXIE CHOPPER Dealer is your #1 SOURCE
for
DIXIE CHOPPER parts and service !**

Please call or visit your nearest authorized Dixie Chopper
Dealer for
additional service information.

AUTHORIZED DEALER

Let us know how you are getting along with your new CHOPPER!
www.dixiechopper.com

Dixie Chopper reserves the right to make changes or add improvements to its products at any time without incurring any obligation to make such changes to products previously manufactured. Neither Dixie Chopper, nor its dealers, accept responsibility for variations which may be evident in the actual specifications of its products and the statements and descriptions contained in this publication.



XXWD5000-72 MODEL QUICK REFERENCE PARTS

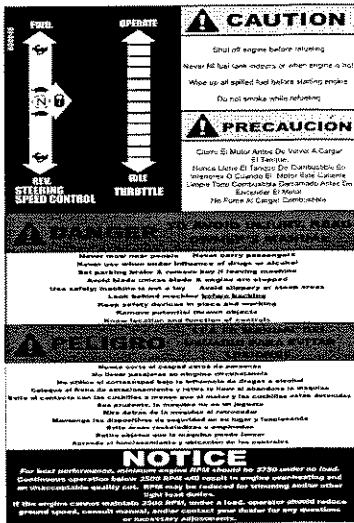
MODEL	XXWD5000
Engine	Yanmar 50Hp Diesel
Deck	72"
Rear Tires	97200
Rear Rims	97130
Rear Tire/Rim Complete	97200-RB/97201-LB
Front Tire (Only) 15 X 6 X 6	400070
Front Rim (Only) 4.5 X 6	400071
Front Tire&Rim Assembly	400053
Run Flat (Assembly Only)	400129
Belts	
Engine-Deck Belt	97346/C-158
Deck Belt	68162B-162
Alternator Belt	97378/A-38
Engine-Jackshaft Belt	97345/B-40
Pump Drive Belt	20256/B-38
Filters	
Primary Donaldson Air Filter	90122
40 Micron Oil Filter F/Hyd. System	68140
Blades	
Standard	30227-72H
Heavy-Duty	30227-72N
Offset/72"	98007
Hard Face/72"	98125
Various Parts	
Spindle Bearing	30218
Center Deck Roller	30240-O
Deck Engaging Cable	990597303
Brake Cable (Short/Long)	65246/65247
Fuel Cap	600035
Fuel Tank (7 Gallon)	400015
Turbinator Turbo Precleaner (3)	90115
Oil Cooler (2)	60103-L
Transmission Frame	100007
Frame	100032

DIXIE CHOPPER

DECAL PLACEMENT



2



3



5



4



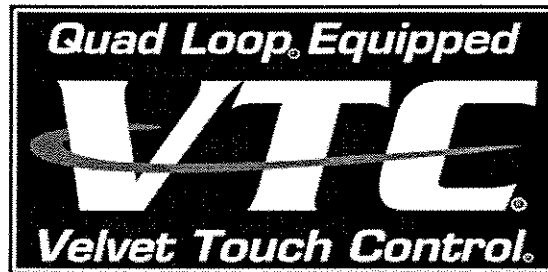
6



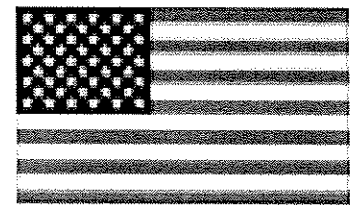
7



8



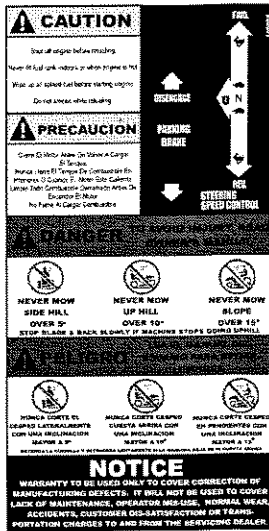
9



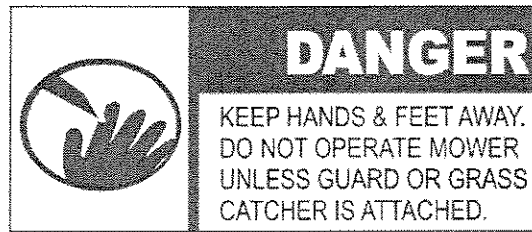
10

DIXIE CHOPPER

DECAL PLACEMENT



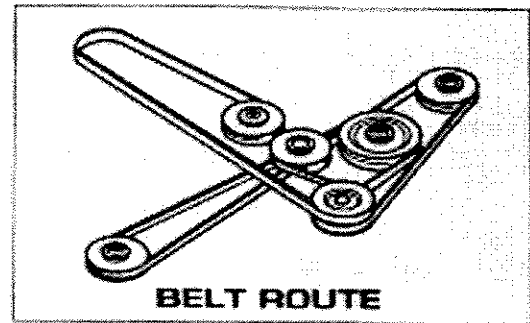
11



12

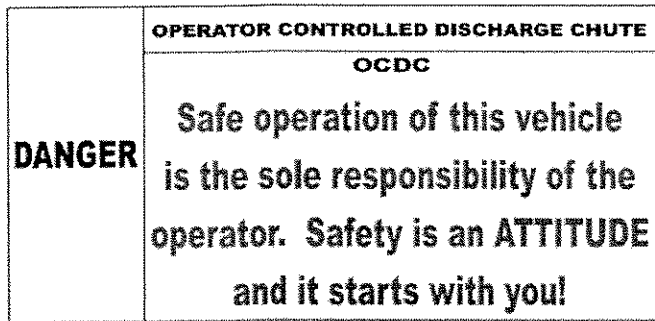


13

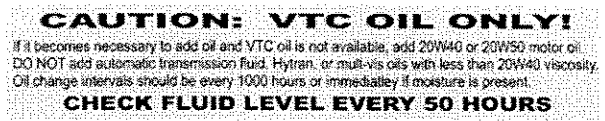


14

15



16



17



18



19



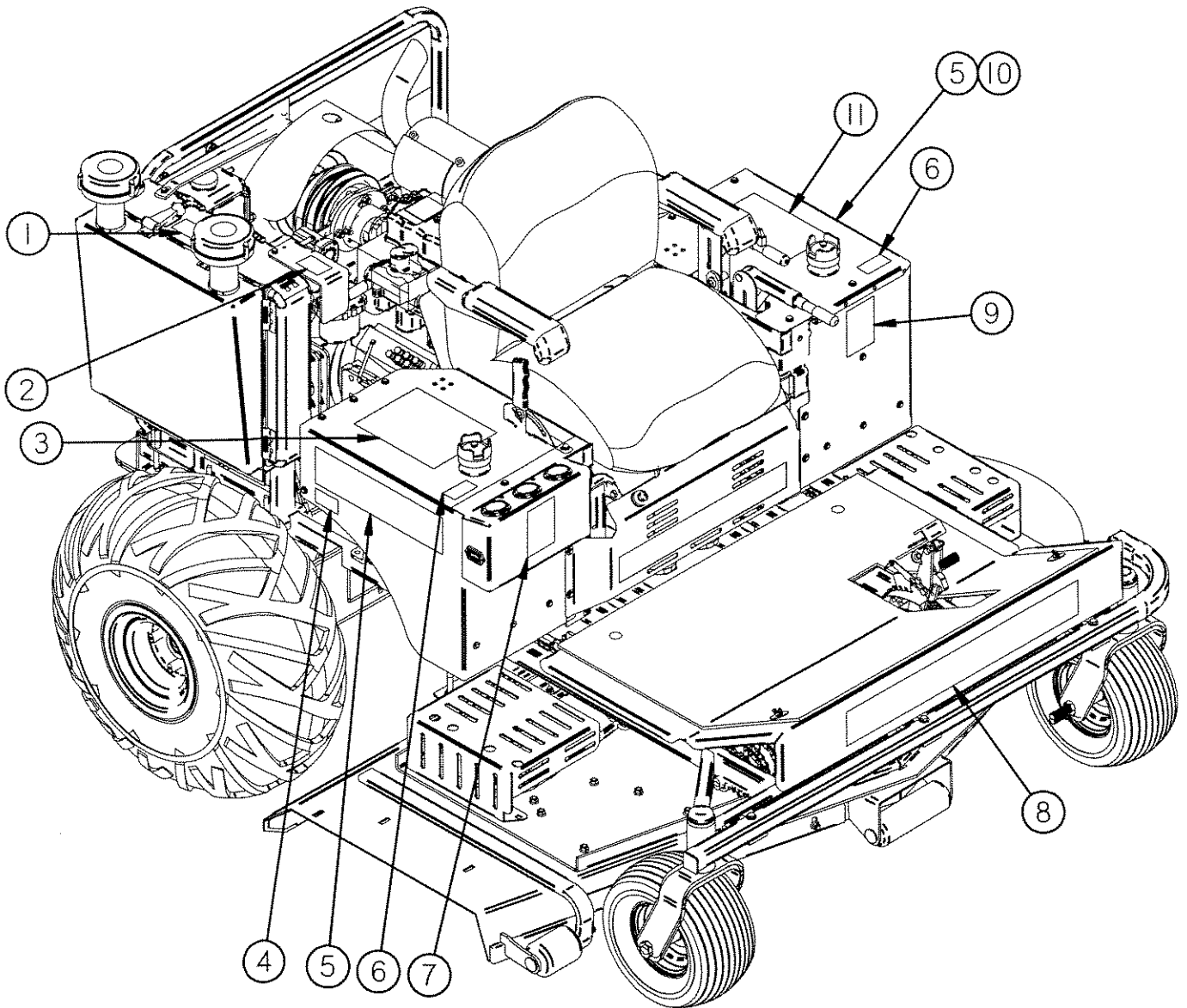
20



21

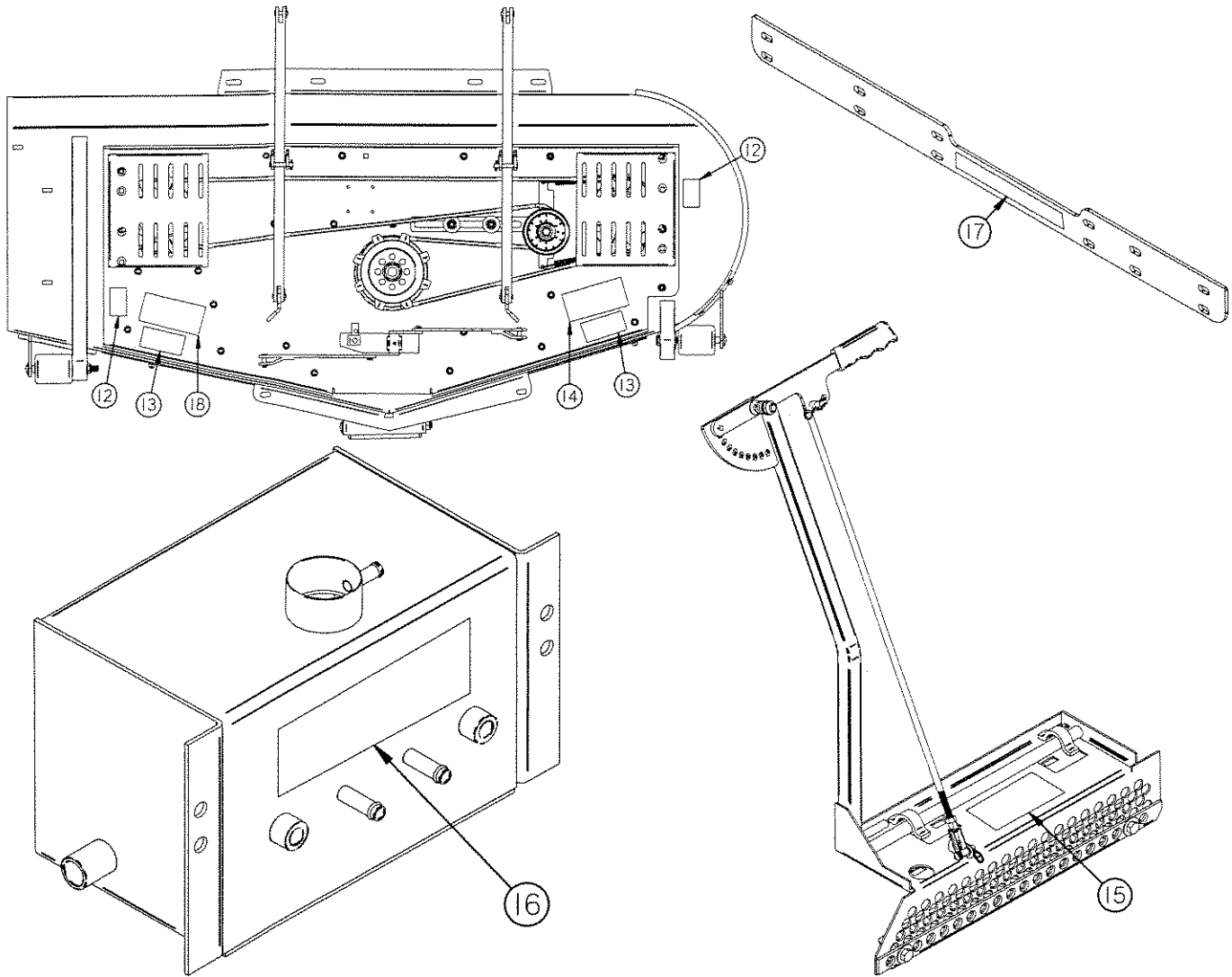
DIXIE CHOPPER.

DECAL PLACEMENT CONT'D



DIXIE CHOPPER

DECAL PLACEMENT CONT'D

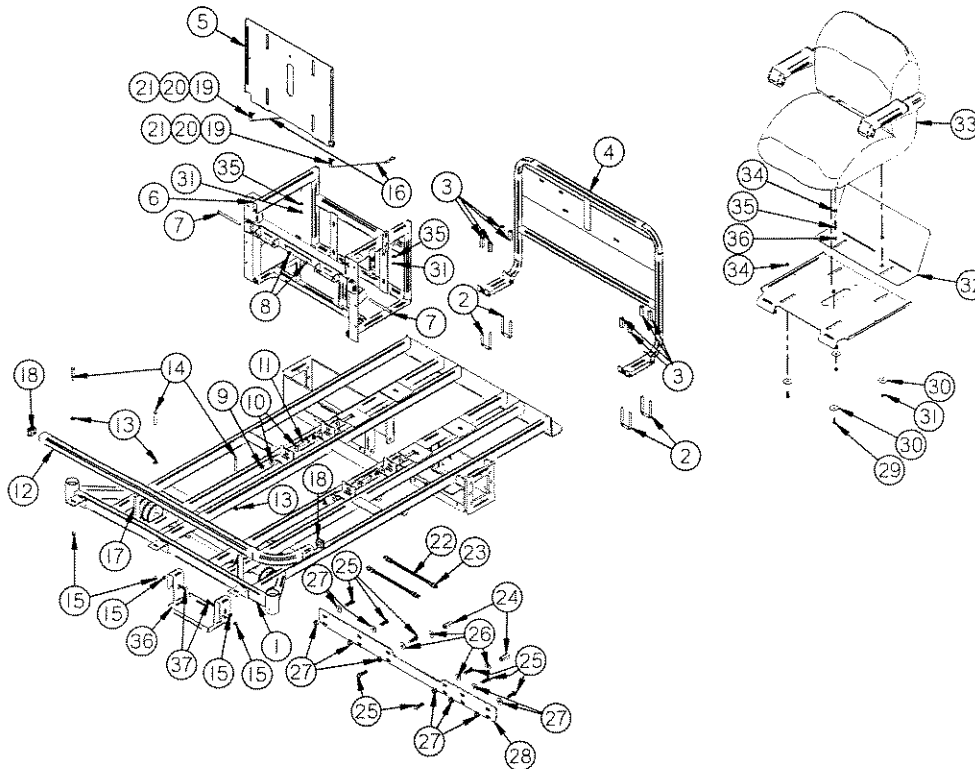


REF	PART#	DESCRIPTION	Qty
1	97513	Check Water & Oil Levels	1
2	97514	Run Hot Warning	1
3	800048	Top Right Fender Decal	1
4	800019	Roll & Seal Decal	1
5	800032	Fender Decal	2
6	97373	Diesel Fuel Only	2
7	65436	S'burb'n Turb'n	1
8	800033	Floor Pan Decal	1
9	264000200210	VTC Fender Decal	1
10	800020	American Flag Decal	1

REF	PART#	DESCRIPTION	Qty
11	800047	Top Left Fender Decal	1
12	30229	Deck Danger	2
13	65437	72" Cut Decal	2
14	800000	Belt Information	1
15	97072	OCDG Safety Decal	1
16	97013	VTC Only	1
17	97008	STOP! Crossmember Decal	1
18	65422	Belt Route	1
19	800060	Deck Spindle Lucas Grease	
20	800061	Lucas Engine Oil	

DIXIE CHOPPER

XXWD5000 FRAME

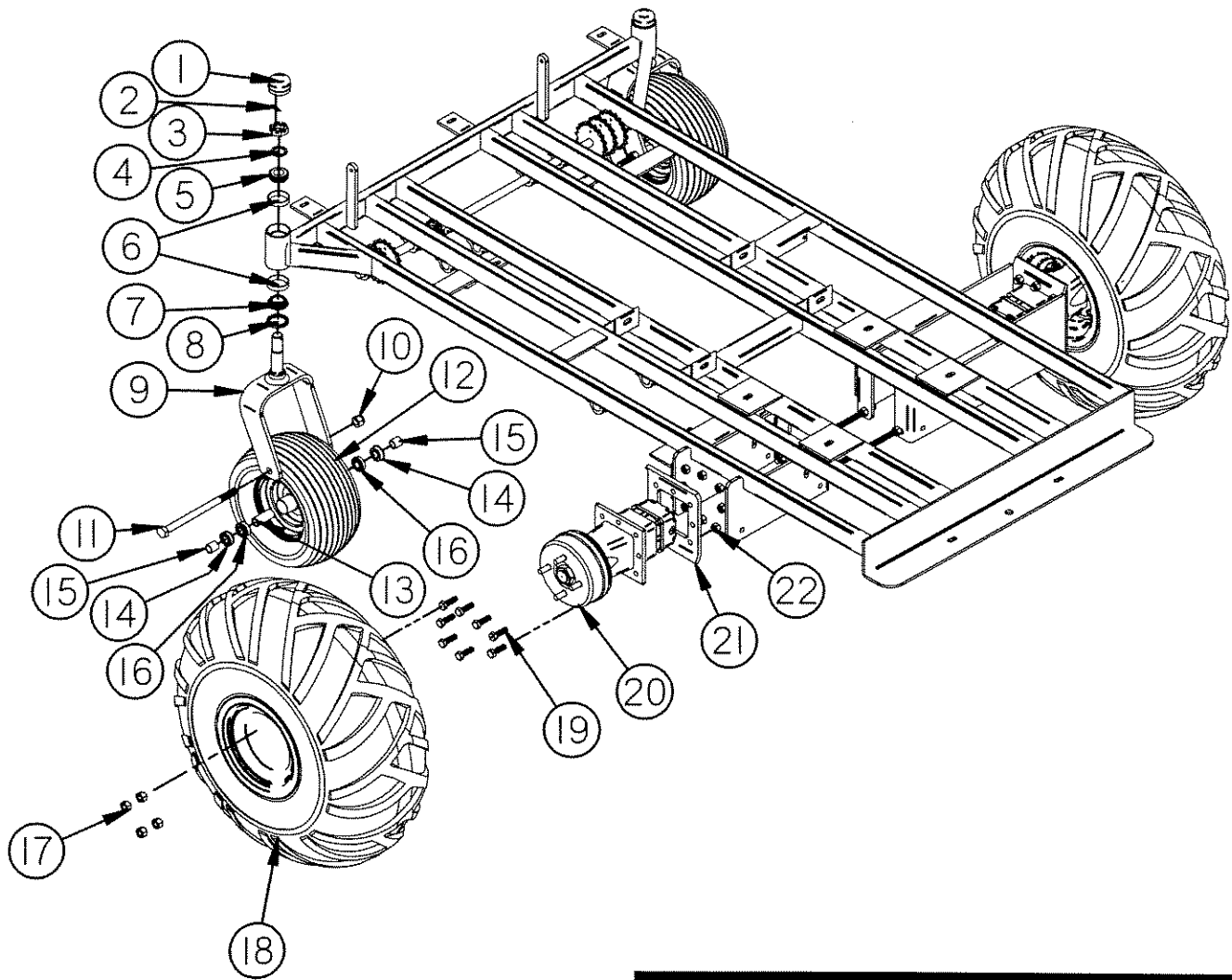


REF	PART#	DESCRIPTION	Qty
1	100032	XXWD5000 Frame	1
2	B-204	3/8"-16 X 2" Square Bend U-Bolt (1 3/8" Wide)	4
3	N-160	3/8"-16 Coupling Nut (1 3/4" Long)	8
4	97367	72" Diesel Rear Crash Guard	1
5	400026	Low Ride Seat Pan w/hinge	1
6	100008	Low Ride Transmission Frame	1
7	B-229	3/8"-16 X 5" HH Bolt	2
8	N-107	3/8"-16 Nylon Lock Nut	2
9	N-135	7/16"-20 Nyloc Nut	4
10	W-168	7/16" Grade 8 Std. Washer	8
11	B-199	7/16"-20 X 2" HHCS	4
12	67045-72	Front Bumper	1
13	N-160	#10 Flat Washer	3
14	B-179	3/8"-16 X 2 1/2" Bolt	3
15	N-108	3/8"-16 Whiz Flange Locknut	3
16	40218	Seat Cable	2
17	400008	Tab-Floor Pan Hinge	2
18	97169	Plastic Square Bumper Plug	2

REF	PART#	DESCRIPTION	Qty
19	B-172	1/4"-20 X 1" HH Bolt	2
20	W-102	1/4" Flat Washer2	
21	N-102	1/4"-20 Whiz Flange Nut	2
22	72222	All Thread-1/2"-13 X 12.5"	2
23	N-110	1/2"-13 Nut	8
24	N-161	1/2"-13 Coupling Nut (1 3/4"L)	2
25	B-123	1/2"-13 X 1 1/2" HH Bolt	8
26	W-109	1/2" Flat Washer8	
27	N-157	1/2"-13 Whiz Flange Nut	6
28	97366	Cross Support Bracket	1
29	B-131	5/16"-18 X 1" HHCS	2
30	W-118	5/16" X 1 1/2 Thin Washer	4
31	N-103-W	5/16"-18 Whiz Flange Nut	8
32	400013	Low Ride Seat Guard	1
33	40100-W	Deluxe Seat-Complete Asm.	1
34	S-115	5/16"-18 X 1 3/4" Stud	2
35	W-113	5/16" Standard Flat Washer	4
36	400065	Bolt-On Battery Box	1
37	B-190	3/8"-16 X 1 1/2" Carriage Bolt	2

DIXIE CHOPPER

WHEELS & TIRES

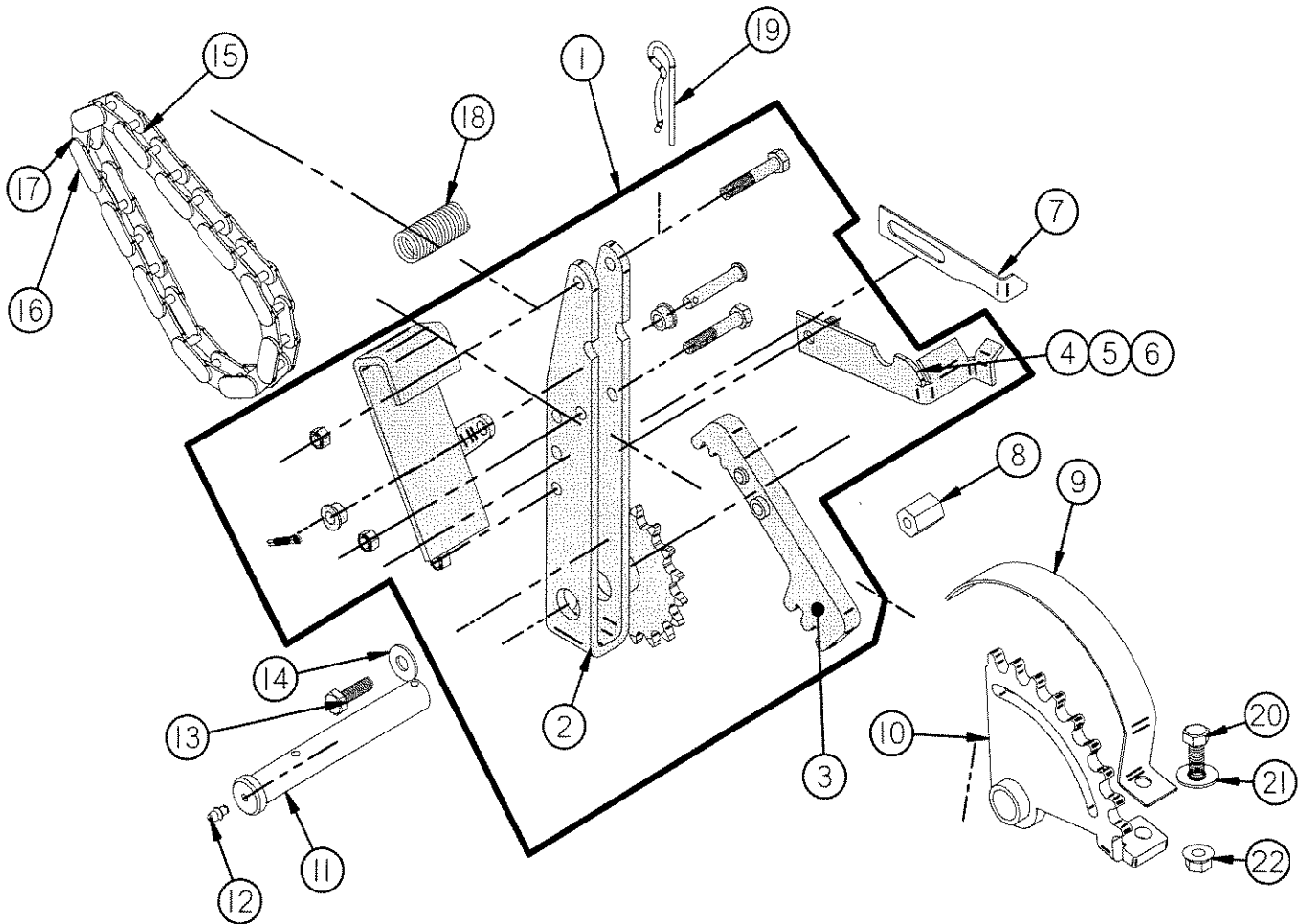


REF	PART#	DESCRIPTION	Qty
1	10220	Dust Cap f/Front Fork	2
2	P-108	3/32" X 1 1/2" Cotter Pin	2
3	N-142	1"-14 Slotted Hex Nut	2
4	W-131	1" ID x 1 1/2" OD x 1/8" Thick Washer	2
5	10207	Top Bearing	2
6	10206	Outer Bearing Race	4
7	97171	Bottom Bearing	2
8	10208	Seal	2
9	100019	Heavy Duty Front Fork	2
10	N-115	5/8"-11 Nylon Insert Lock Nut	2
11	B-235	5/8"-11 x 9" HHCS Bolt	2

REF	PART#	DESCRIPTION	Qty
12	400129	Run Flat Tire Assembly (15 X 6 X 6)	2
13	67204	Inner Front Wheel Spacer	2
14	10205	Outer Front Wheel Bearing	4
15	400052	Wide Fork Outer Wheel Spacer	4
16	67205	Inner Front Wheel Bearing	4
17	N-113	1/2"-20 Wheel Lug Nut	8
18	97201-LB 97200-RB	Left Rear Tire Assembly Right Rear Tire Assembly	1 1
19	B-123	1/2"-13 x 1 1/2" HH Bolt	14
20	200024	24 ci Wheel Motor W/Brake	2
21	200016	Wheel Motor Face Plate	
22	N-146	1/2" Stover Lock Nut	14

DIXIE CHOPPER

FOOT PEDAL ASSEMBLY

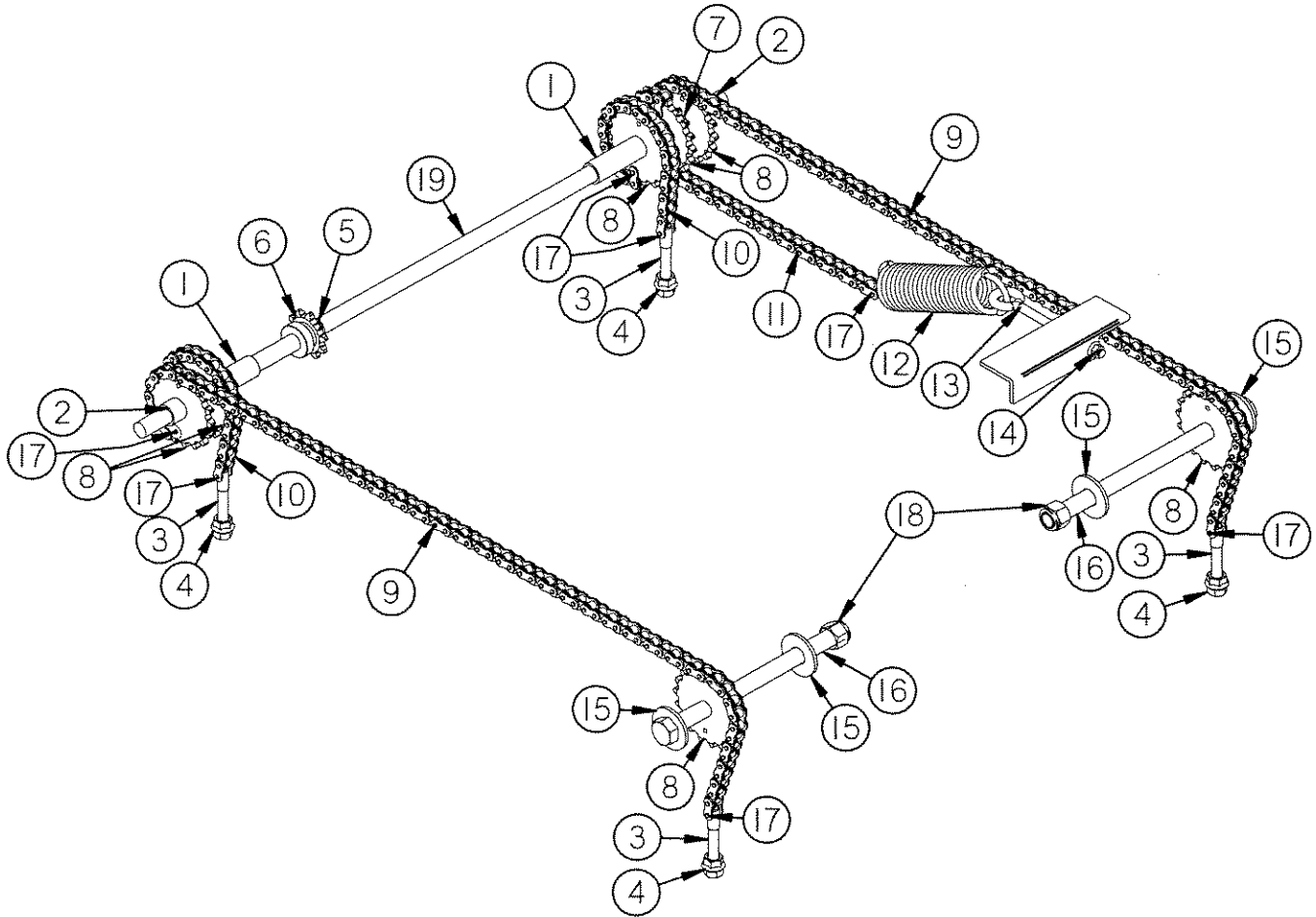


REF	PART#	DESCRIPTION	Qty
1	10107-1/2	Kit-Foot Pedal	1
2	10225-2	Weldment-#50 Foot Lift Arm	1
3	10224-1	Lift Arm Pawl	1
4	990735020	Foot Pedal Lock (Incl. #5-#6)	1
5	W-164	5/16" Wafer Spring Washer	1
6	N-144	5/16"-18 Nylon Jam Nut	1
7	300008	Deck Height Pointer	1
8	N-130	5/16"-18 x 1 3/4" Coupling Nut	1
9	300007	Deck Height Indicator	1
10	10226-1	Height Control Sprocket	1

REF	PART#	DESCRIPTION	Qty
11	10228-1	Pin	1
12	F-100	3/16" Drive-In Grease Fitting	1
13	B-131	5/16"-18 x 1" Bolt	1
14	W-113	5/16" Standard Flat Washer	1
15	68219	#50 Chain (Include ref.#16)	1
16	10233	#50 Half Link	1
17	10232	#50 Master Chain	1
18	20217-25	Spring	1
19	30213	Hair Pin Clip	1
20	B-108	3/8"-16 X 1" Bolt	1
21	W-104	3/8" Flat Washer	1
22	N-108	3/8"-16 Whiz Flange Nut	1

DIXIE CHOPPER

DECK LIFT SYSTEM

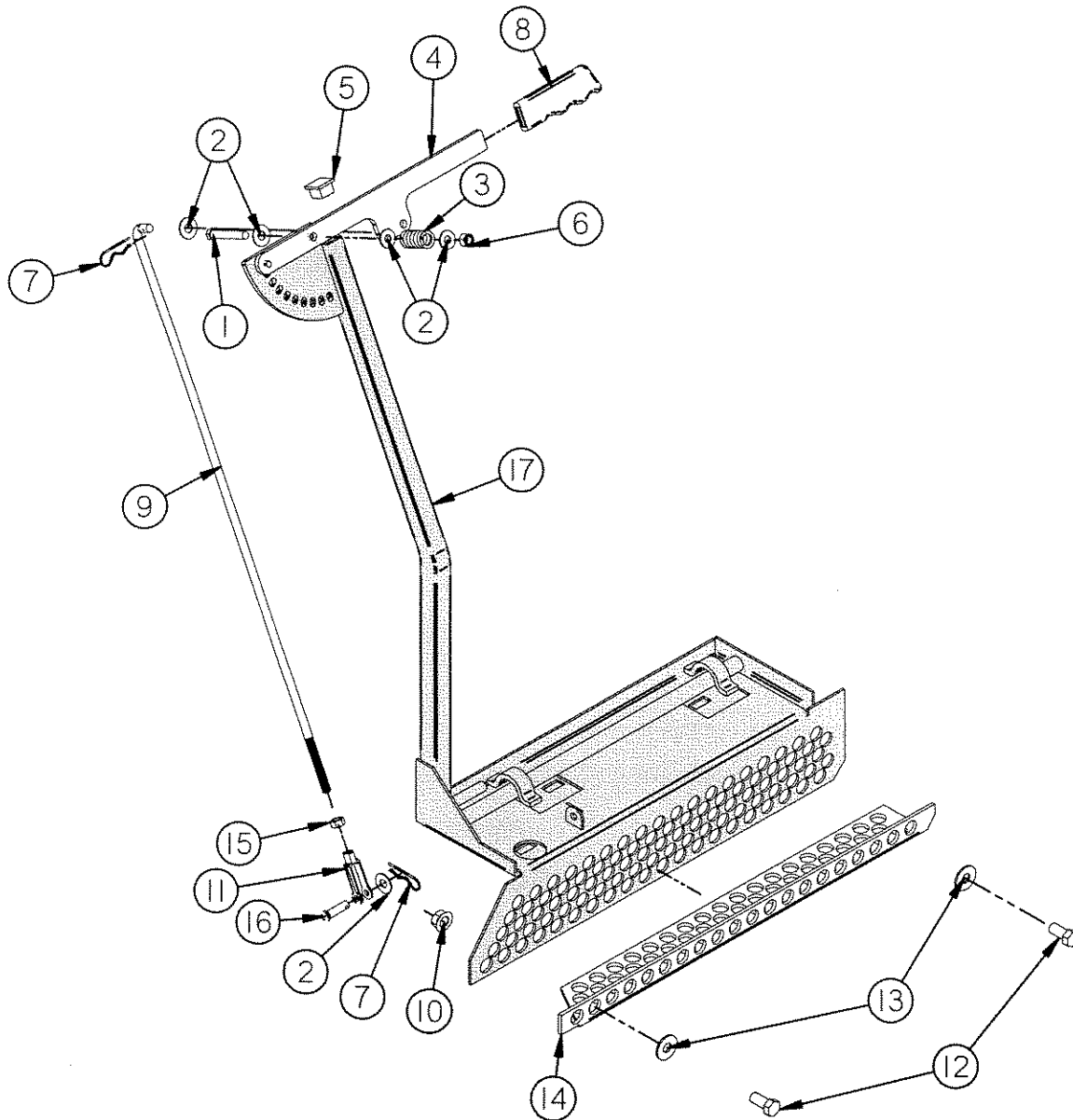


REF	PART#	DESCRIPTION	Qty
1	68108	3/4"ID X 2 7/8" Long Spacer	2
2	65047	3/4" Long Bushing	2
3	S-114	1/2"-13 X 3 1/2" Stud	4
4	N-157	1/2"-13 Whiz Flange Nut	8
5	68105	3/8" Long Bushing	1
6	68104	#50 10 Tooth Sprocket	1
7	68106	3/4"ID X 1 3/16" Bushing	1
8	68103	Deck Lift Sprocket #50	7
9	990710005	#50-67P Rear Deck Lift Chain	2
10	68217	#50 Front Deck Lift Chain	2

REF	PART#	DESCRIPTION	Qty
11	990710002	#50-27P Return Spring Chain	1
12	97456	225 lb. Deck Lift Spring	1
13	B-241	3/8"-16 X 5" Eye Bolt	1
14	N-108	3/8"-16 Whiz Flange Locknut	1
15	W-154	3/4" Flat Washer	4
16	B-240	3/4"-9 X 11" Bolt	2
17	10232	#50 Master Link	10
18	N-158	3/4"-9 Nyloc Nut	2
19	68110	3/4" x 34 3/4" Long Shaft	1

DIXIE CHOPPER

72" OCDC

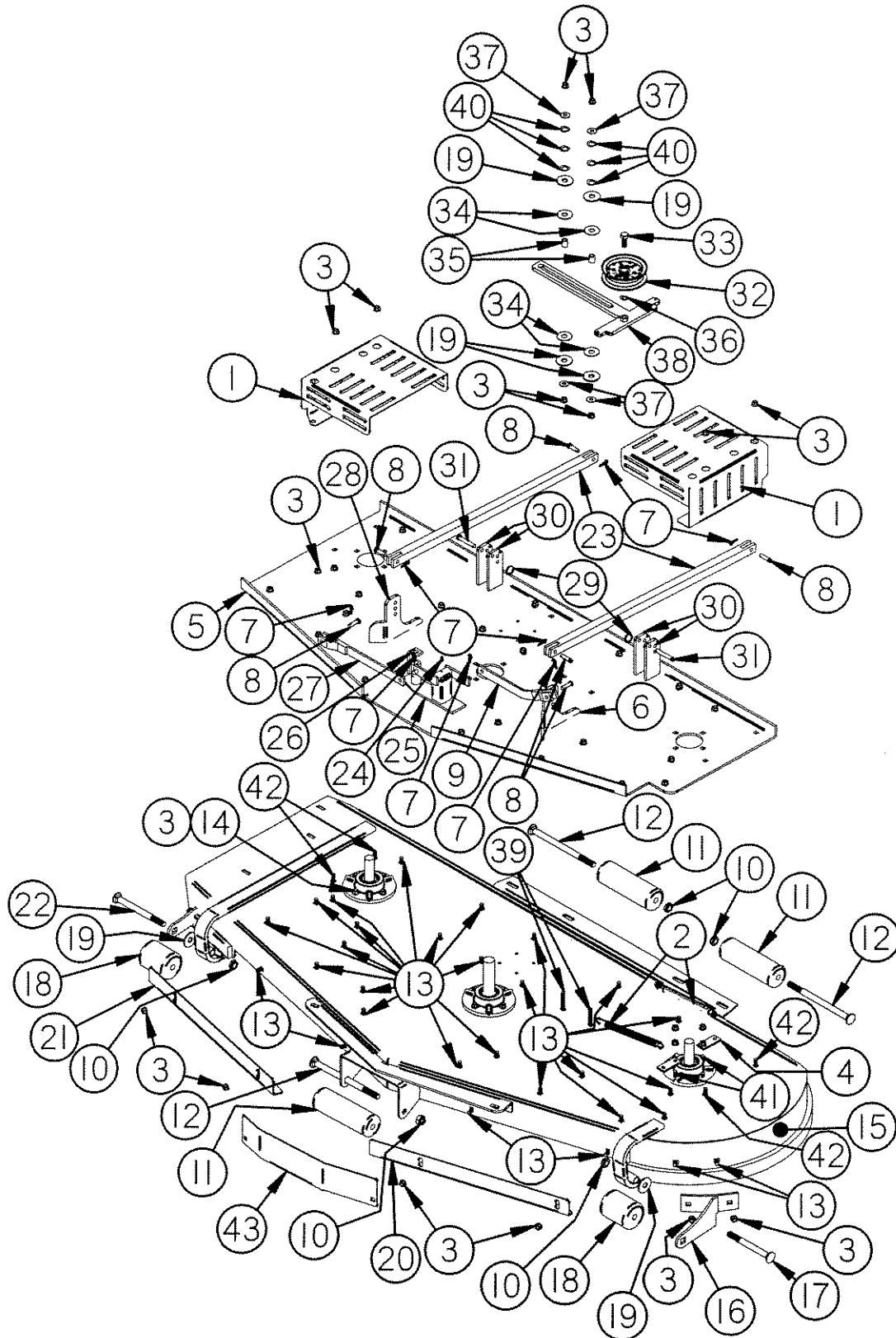


REF	PART#	DESCRIPTION	Qty
	72122	72" OCDC Assembly	
	B-135	3/8"-16 X 1" Carriage Bolt	3
	N-108	3/8"-16 Whiz Nut	3
1	B-179	3/8"-16 x 2 1/2" Bolt	1
2	W-104	3/8" Standard Flat Washer	5
3	20252	Spring	1
4	900014	Handle f/OCDC	1
5	68142	1" x 1" Plastic Plug	1
6	N-107	3/8"-16 Nylon Locknut	1
7	20224	#13 Hair Pin Clip	2

REF	PART#	DESCRIPTION	Qty
8	67258	1/4" X 1" Black Handle Grip	1
9	68130	Control Rod (Inc. #9,11,15)	1
10	N-157	1/2"-13 Whiz Flange Nut	2
11	N-155	3/8"-24 Yoke	1
12	B-138	1/2"-13 x 1" Bolt	2
13	W-109	1/2" Flat Washer	2
14	72123	Lower Screen (Optional)	
15	N-150	3/8"-24 Nut	1
16	P-102	3/8" x 1 1/4" Clevis Pin	1
17	68122-72W	Weldment-72" OCDC	1

DIXIE CHOPPER.

72" DECK ASSEMBLY





72" DECK ASSEMBLY CONT'D

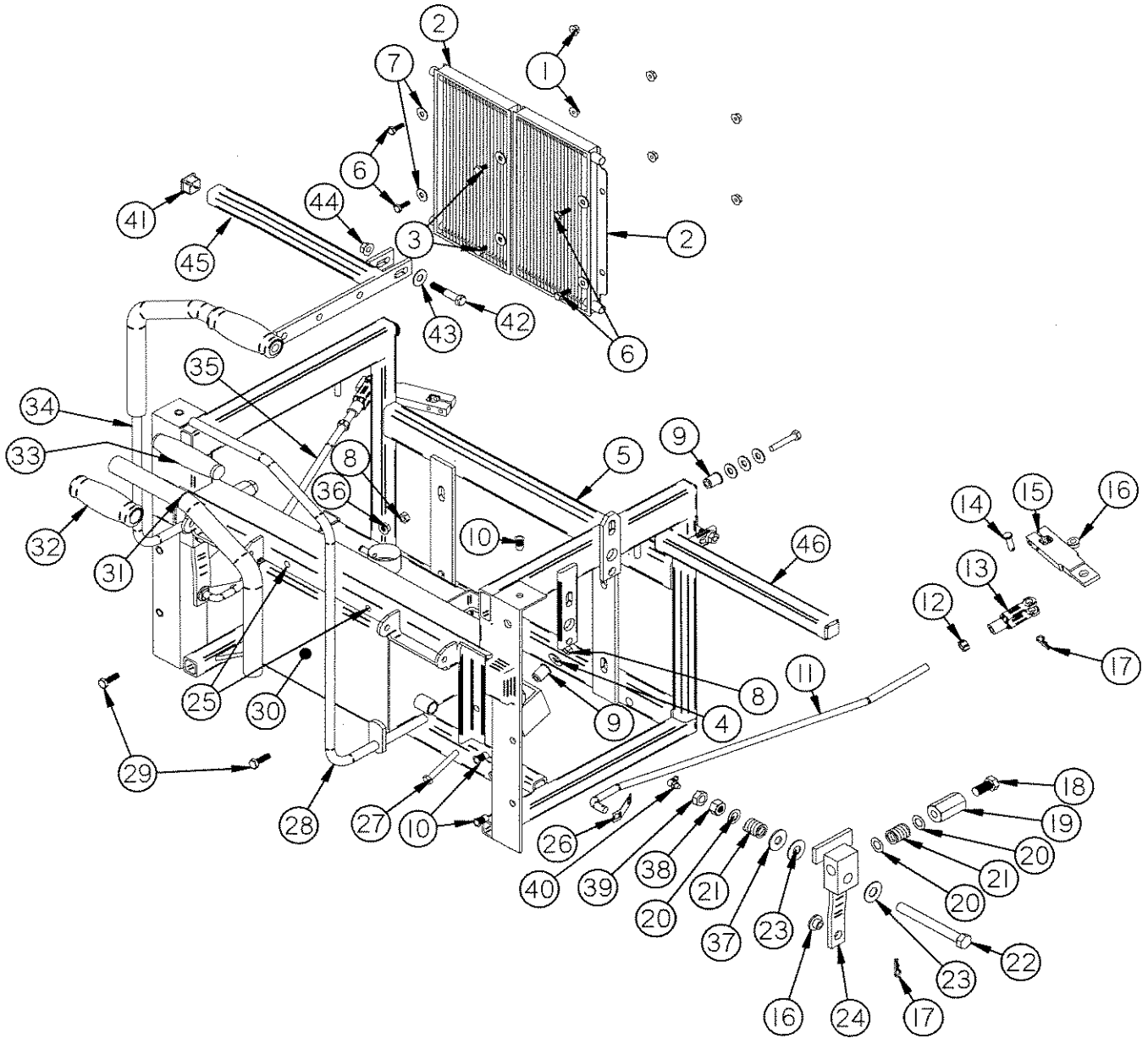
REF	PART#	DESCRIPTION	Qty
	72300-72D	Deck-Complete 72" F/Diesel	
1	300057	Guard-Deck Pulley 72"	2
	300049	Kit-72" Pulley Guard	
2	10222	Spring	2
3	N-108	3/8"-16 Whiz Flange Locknut	51
4	65308	Idler Spring Tab	2
5	300016	72" Deck Top Plate Weldment	1
6	334000130111	Left 3-Hole Tab	1
7	20224	#13 Hairpin Clip	8
8	P-102	3/8" X 1 1/4 Clevis Pin	6
9	30232	Left Scissor Stabilizer Bar	1
10	N-156	5/8"-11 Jam Nyloc Nut	5
11	30240-0	Long Nylon Roller (7 1/2" Long)	3
12	B-255	5/8"-11 X 9" Carriage Bolt	3
13	B-110	3/8"-16 X 3/4 Carriage Bolt	30
14	B-136	3/8" X 1 1/4 Carriage Bolt	10
15	300014	72" Deck (Incl. 15,16,20,21,43)	1
16	300017	72" Deck Roller Bracket	1
17	B-253	5/8"-11 X 6" Carriage Bolt	1
18	67240	Short Nylon Roller (3 3/4" Long)	2
19	W-135	5/8" Flat Washer	6
20	300019	Baffle-72" Deck Left Blow-out	1
21	300018	Baffle-72" Deck Right Blow-out	1

REF	PART#	DESCRIPTION	Qty
22	B-254	5/8"-11 X 7" Carriage Bolt	1
23	30214-72	Stabilizer Bar (30" Long)	2
24	F-100	Grease Fitting-3/16" Drive-In	1
25	67131	Scissor Link Tower Weldment	1
26		Enguaging Tower Weldment	
27	30231	Right Scissor Stabilizer Bar	1
28	334000130110	Right 3-Hole Tab	1
29	C-104	Kick Out Ring	2
30	300086	Tab-Top Plate 3 Hole	4
31	P-103	3/8" x 2 1/4" Clevis Pin	2
32	68224	5" Flat Idler Pulley	1
33	B-117	1/2"-13 X 1 1/4" Bolt	1
34	W-140	5/8" ID X 1 5/8" Nylon Washer	4
35	61250	5/8"OD X 3/8"ID X 3/4"L Spacer	2
36	W-112	1/2" Lock Washer	1
37	W-104	3/8" Flat Washer	4
38	68225	T-Idler Slide	1
39	B-223	3/8"-16 X 2 1/4" Carriage Bolt	2
40	W-149	5/8" Wafer Spring Washer	6
41	B-190	3/8"-16 X 1 1/2" Carriage Bolt	2
42	B-135	3/8"-16 X 1" Carriage Bolt	4
43	300055	Baffle-Center Front 72"	1

DIXIE CHOPPER

TRANSMISSION FRAME

ASSEMBLY



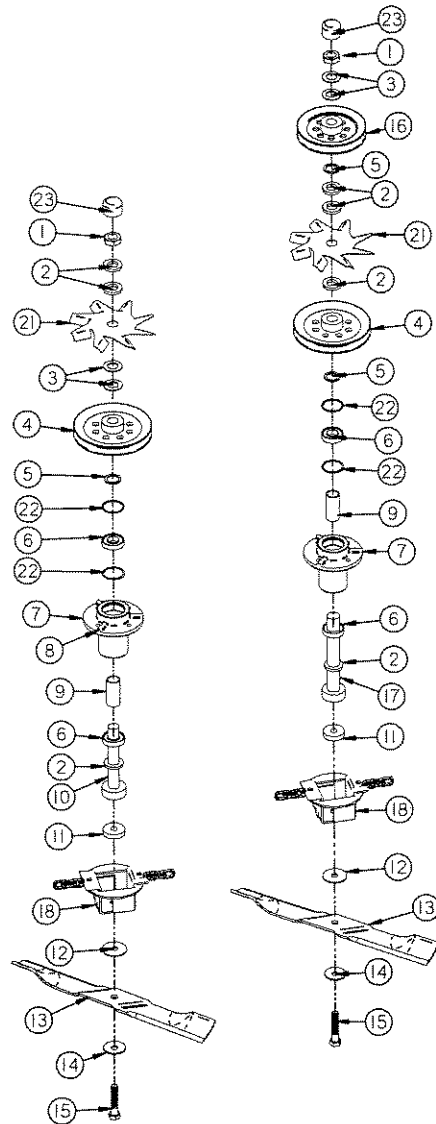
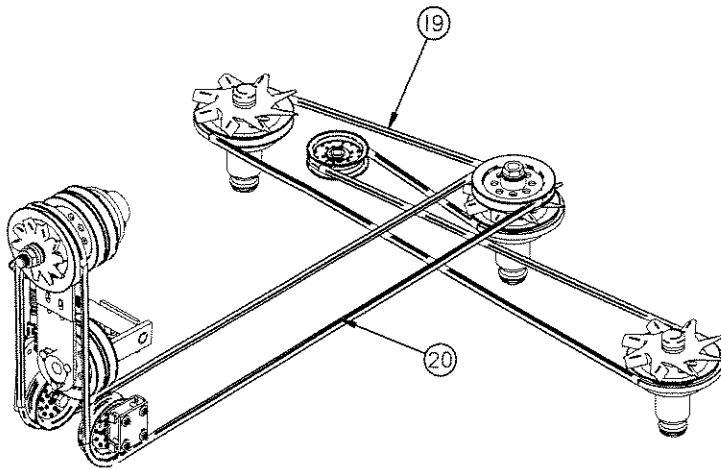


TRANSMISSION FRAME CONT'D

REF	PART#	DESCRIPTION	Qty	REF	PART#	DESCRIPTION	Qty
1	N-102	1/4"-20 Whiz Flange Nut	6	24	65205	Steering Pivot Block	2
2	60103-L	Short Oil Cooler		25	N-188	1/4"-20 AR Thread Insert Nut	2
3	B-101	1/4"-20 X 1/2 HHCS Bolt	2	26	990720223	Backing Clip	2
4	W-113	5/16" Standard Flat Washer	2	27	B-129	5/16"-18 X 2 1/4 HHCS Fullthread	2
5	100008	Low Ride Transmission Frame	1	28	400069	Left Steering Lever	1
6	B-102	1/4"-20 X 3/4" HHCS Gr. 5 Bolt	4	29	B-131	5/16"-18 X 1 HHCS Grade 5	2
7	W-102	1/4" Standard Flat Washer	6	30	200008	Hydraulic Tank	
8	N-103	5/16"-18 Hex Nut	3	31	400037	Foam Lever Sleeve	2
9	N-153	5/16"-18 Nut Insert	4	32	67259	Foam Grip	2
10	N-152	1/4"-20 Brass Nut Insert	6	33	20257	Black Plastic Grip f/Steering Lever	2
11	97304	Left Steering Rod	1	34	400068	Right Steering Lever	1
12	N-150	3/8"-24 Hex Nut	2	35	97305	Right Steering Rod	1
13	N-155	3/8"-24 Adj. Yolk	2	36	N-103-W	5/16"-18 Whiz Flange Nut F/Hyd. Tank	2
14	P-102	3/8" X 1 1/4" Clevis Pin	2	37	W-109	1/2" Flat Washer	2
15	97142	Pump Control Arm	2	38	N-110	1/2"-13 Nut	2
16	97306	Nylon Bushing (3/8"ID X 1/2"OD)	4	39	N-111	1/2"-13 Hex Nut Jam	2
17	20224	#13 Hairpin Clip	4	40	F-101	1/4"-28 90° Grease Fitting	2
18	B-138	1/2"-13 X 1" HH Bolt	2	41	68142	1" Square Plug	2
19	N-175	1/2"-13 X 1 3/4" Heavy Coupling Nut	2	42	B-165	3/8"-16 X 2" HHCS Gr. 5 Bolt	2
20	W-110	1/2" Machinery Bushing	6	43	W-104	3/8" Standard Flat Washer	2
21	20252	Spring	4	44	N-108	3/8"-16 Whiz Flange Lock Nut	2
22	B-143-G	1/2" X 4 1/2" HH Greased Bolt	2	45	97465	Right Fender Brace	1
23	W-171	1/2" ID X 1 1/4" OD Teflon Washer	4	46	100010	Left Fender Brace	1

DIXIE CHOPPER

HUBS AND BELTS

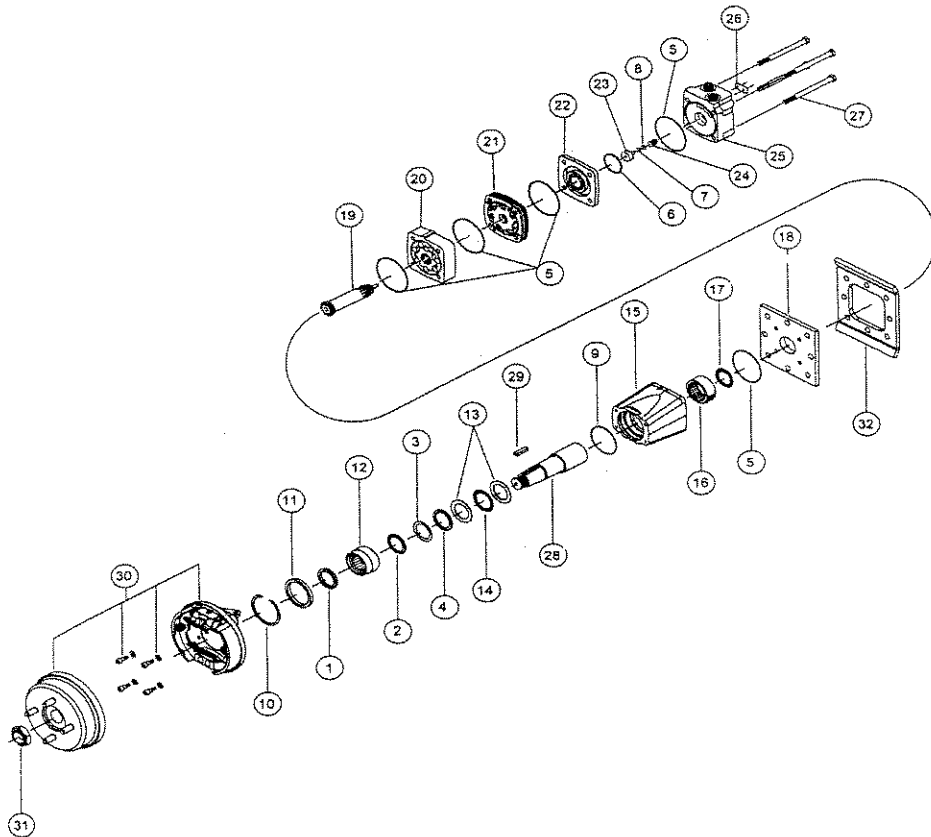


REF	PART#	DESCRIPTION	Qty
	10161	Complete Short Spindle Assembly	2
	10161-L	Complete Long Spindle Assembly	1
1	N-167	1"-14 Jam Nut	3
2	W-146	1" ID X 1 3/4" OD X 1/4" Thick Washer	10
3	W-137	1"ID X 2"OD Belleville Washer	6
4	9907675X100S	6.75" Split Pulley (1" Bore)	3
5	W-131	1" ID X 1 1/2" OD X 1/8" Thick Washer	4
6	30218	Bearing and Spacer	3
7	30241	1 Deck Hub, 2 Snap Rings and 1 Bearing	3
8	F-102	1/4"-28 Grease Fitting	3
9	30219	Inner Deck Hub Spacer	3
10	30217	Short Blade Shaft	2
11	W-182	1/4" Blade Spacer (F/X Blade)	3
	30242	1/2" Blade Spacer (F/H&N Blades)	
12	W-101	5/8" ID X 2 1/4" OD Fiber Washer	3
13	30227-72X	72" X Blade	3
	30227-72N	72" Heavy Duty Lift Blade (Optional)	
	30227-72H	72" Standard High Lift Blade (Optional)	
	300091	72" X Blade Kit (Optional)	

REF	PART#	DESCRIPTION	Qty
14	W-100	5/8"ID X 2"OD Belleville Washer	3
15	B-121	5/8"-18 X 2 1/2" Blade Bolt (use w/o blade spacer)	
	B-121-L	5/8"-18 X 3" Blade Bolt (use with blade spacer)	
	B-121-LL	5/8"-18 X 3 1/4" Blade Bolt (use with Whiz-Mow)	3
16	9907700X100C	6" Pulley	1
17	30217-L	Long Blade Shaft	1
18	30302	Magic Mulcher (On all Diesel spindle hubs)	3
19	68162	B-162 Deck Belt	1
20	97346	C-158 Engine-Deck Belt	1
21	300058	Fan-1" X 8 1/4" Steel Grey w/Decal	3
22	788080	Snap Ring	
23	67255	Spindle Caps	2

DIXIE CHOPPER DIXIE CHOPPER

24 Cu. In. WHEEL MOTOR W/ BRAKE

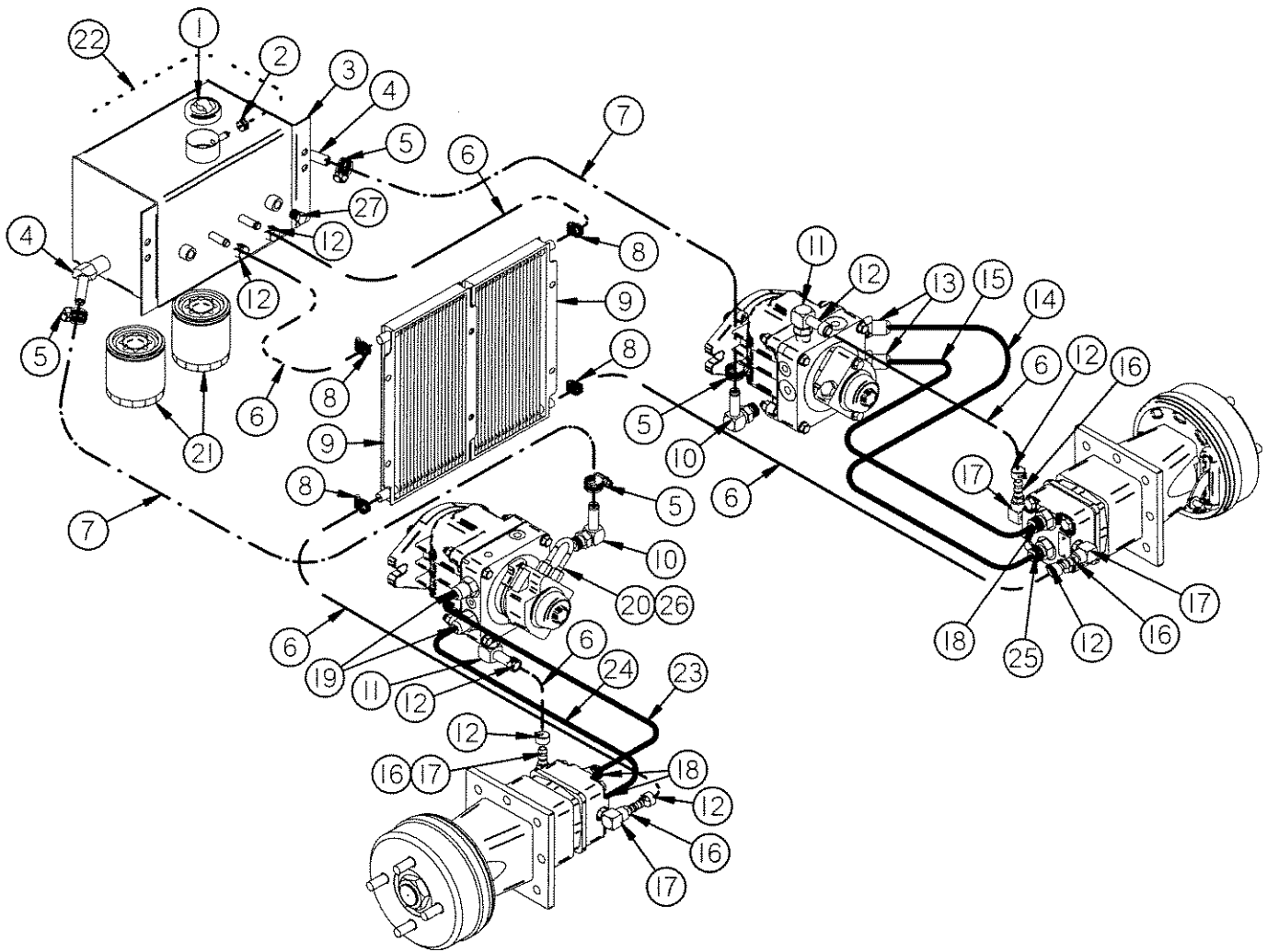


REF #	PART #	DESCRIPTION	QTY.
	200024	24 Cu. In. Wheel Motor w/Brake System	2
	300333850	Seal Kit - Contains Items 1-9	
1	In-Kit	Dust Seal	1
2	In-Kit	Metal Back Up Ring	1
3	In-Kit	Back Up Seal	1
4	In-Kit	Shaft Seal	1
5	In-Kit	Body Seal	5
6	In-Kit	Commutator Seal	1
7	In-Kit	O-Ring Seal	1
8	In-Kit	Back Up Seal (Teflon)	1
9	In-Kit	Housing Seal Carrier	1
10	700018013	Retaining Ring	1
11	700018085	Bearing Spacer	1
12	300018021	Front Housing Bearing	1
13	300018002	Thrust Washer	2
14	300018003	Front Thrust Bearing	1
15	300130035	"35" Housing Kit (Incl. Ref # 16)	1
16	500018003	Rear Housing Bearing	1
17	300018107	Rear Thrust Bearing	1

REF #	PART #	DESCRIPTION	QTY
18	300012016	Mid Mount Plate	1
19	300014031	24 Drive Link	1
20	300332024	24 Rotor Set	1
21	300015008	Manifold	1
22	300012013	Commutator Assembly	1
23	300018056	Piston	1
24	300018059	Piston Spring	1
25	300160007G	Endcover	1
26	N/A	"Not Orderable"	1
27	300335024	24 Rotor Bolts	4
28	300110051	Shaft	1
29	300339102	Shaft Key	1
30	300018105WHAZ	Brake Kit	
	300018106	Brake Hub	1
	500180050	Bolt	4
	500180045	Washer	4
31	PW72693	Lock Nut	1
32	200016	Wheel Motor Bracket Face Plate (Face Plate Comes With Frame)	

DIXIE CHOPPER

HYDRAULIC HOSE DIAGRAM

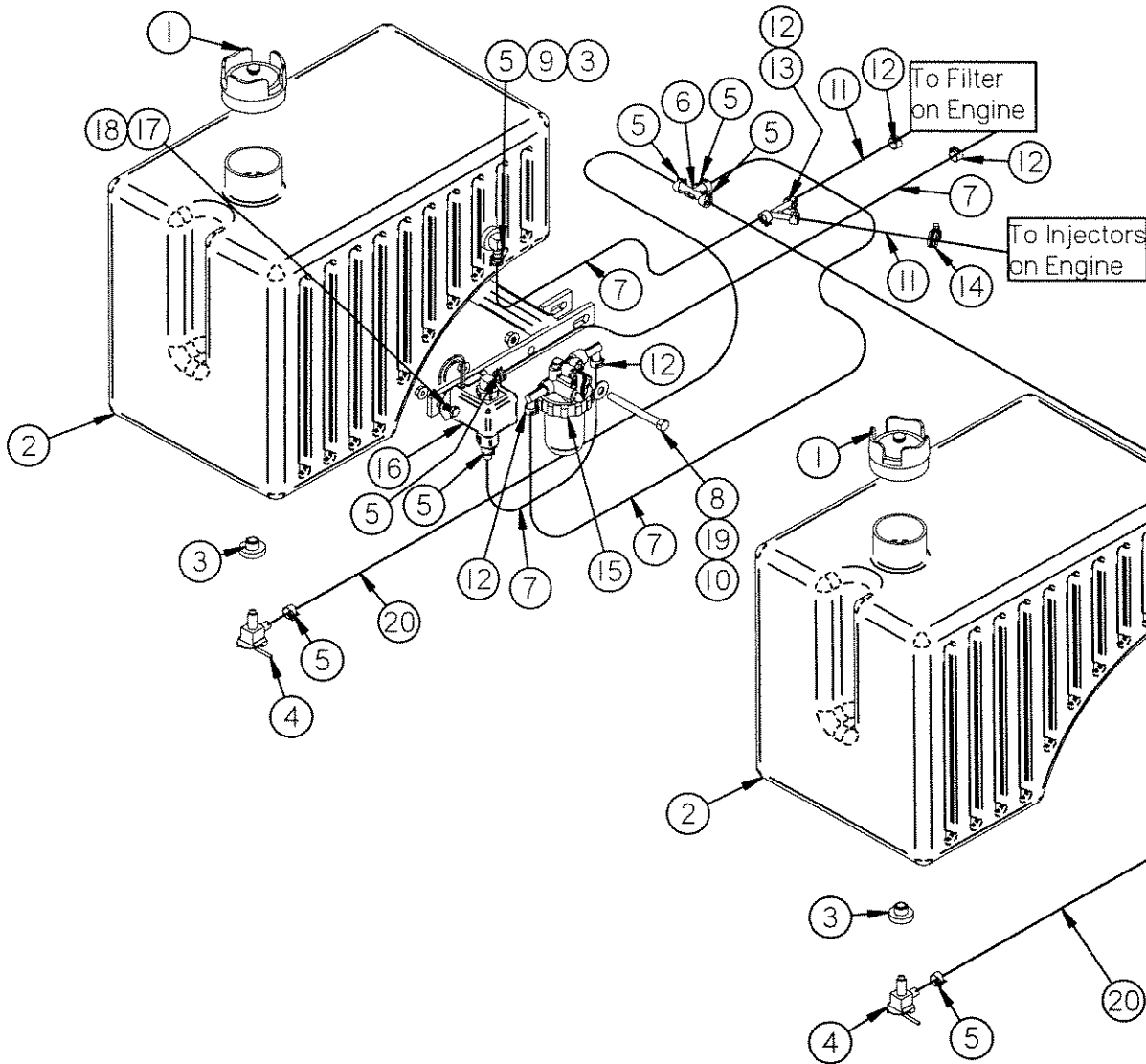


REF	PART#	DESCRIPTION	Qty
1	40117-C	Hydraulic Tank Cap	1
2	72012	Hose Clamp-5/16"	1
3	200008	Hydraulic Tank	1
4	200048	45 deg. (3/8" Male Pipe - 1/2" Barb) Fitting	2
5	97098	1/2" Worm Clamp	4
6	65108	3/8" Clear Hose	/ft.
7	200025	1/2" Black Braided Hose	/ft.
8	68231	#4 Hose Clamp	4
9	60103-L	Oil Cooler	2
10	72017	90 deg. Fitting (1/2" - 1/2")	2
11	72021	90 deg. Fitting (1/2" - 3/8")	2
12	67013	3/8" Spring Clamp	8
13	65005	45° 5/8" JIC X 1/2" O-Ring Fitting	2
14	97312	Right Front Hydraulic Hose Asm.	1

REF	PART#	DESCRIPTION	Qty
15	97311	Right Rear Hydraulic Hose Asm.	1
16	67014	Fitting-1/4" MPT - 3/8" Barb	4
17	67017	90° Fitting 1/4" O-ring - 1/4" FPT	4
18	87104	High Pressure Hydraulic Fitting (steel)	2
19	65004	1/2" O-Ring TO 5/8" Straight Fitting	2
20	97315	Loop Steel Line	1
21	68140	Filter-40 Micron	2
22	97374	5/16" Black Hose	/ft.
23	97309	Left Front Hydraulic Hose Asm.	1
24	97310	Left Rear Hydraulic Hose Asm.	1
25	200009	Fitting-3/8" O-ring - 3/8" Straight (3" Long)	2
26	97314	Fitting-1/4" O-ring - 1/4" JIC	2
27	65009	1/4" Plug	1

DIXIE CHOPPER

FUEL SYSTEM

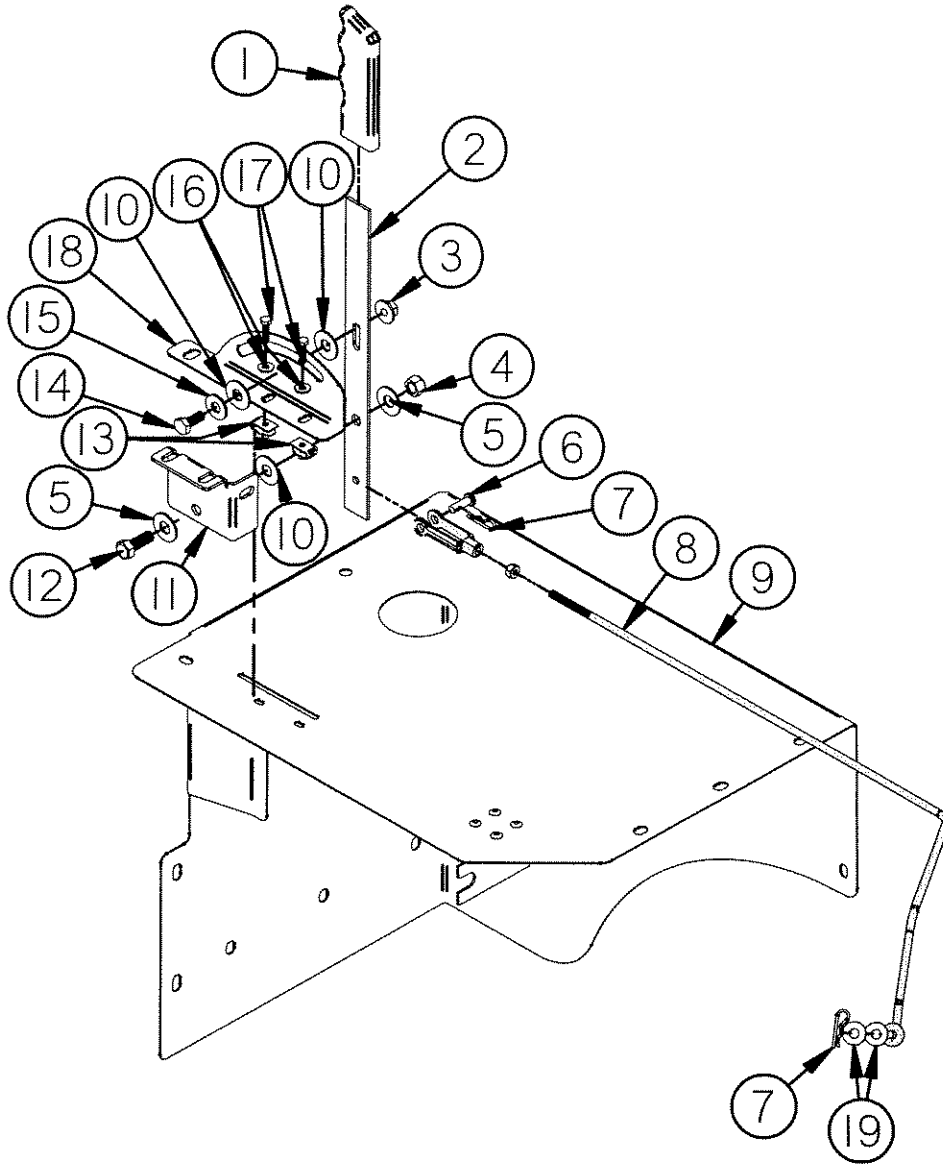


REF	PART#	DESCRIPTION	Qty
1	600035 40117-1	Fuel Tank Cap Fuel Tank Cap-Manual Vent w/ Guage (Optional)	2
2	400015	7 Gallon Plastic Fuel Tank	2
3	40220	Fuel Tank Grommet	3
4	400016	Valve-7 Gallon Fuel Tank Shut-off	2
5	72012	5/16" Spring Hose Clamp	8
6	65008	5/16" Fuel Line "T"	1
7	97374	5/16" Black Fuel Line	/ft.
8	N-103-W	5/16"-18 Whiz Flange Nut	1
9	72218	90° Fitting-1/8" MP - 5/16"	1

REF	PART#	DESCRIPTION	Qty
10	B-176	5/16"-18 X 3" Bolt	1
11	40211	1/4" Black Fuel Line	/ft.
12	40213	1/4" Spring Hose Clamp	7
13	97369	5/16" Fuel Line "Y"	1
14	68231	#4 Hose Clamp	1
15	129335-55700	Water Separator (Yanmar)	1
16	60100	Fuel Pump w/Fitting	1
17	N-102	1/4"-20 Whiz Flange Nut	2
18	B-102	1/4"-20 X 3/4" HHCS Gr. 5	2
19	W-113	5/16" Standard Flat Washer	1
20	60109	3/8" Hose Line	/ft.

DIXIE CHOPPER

THROTTLE ASSEMBLY

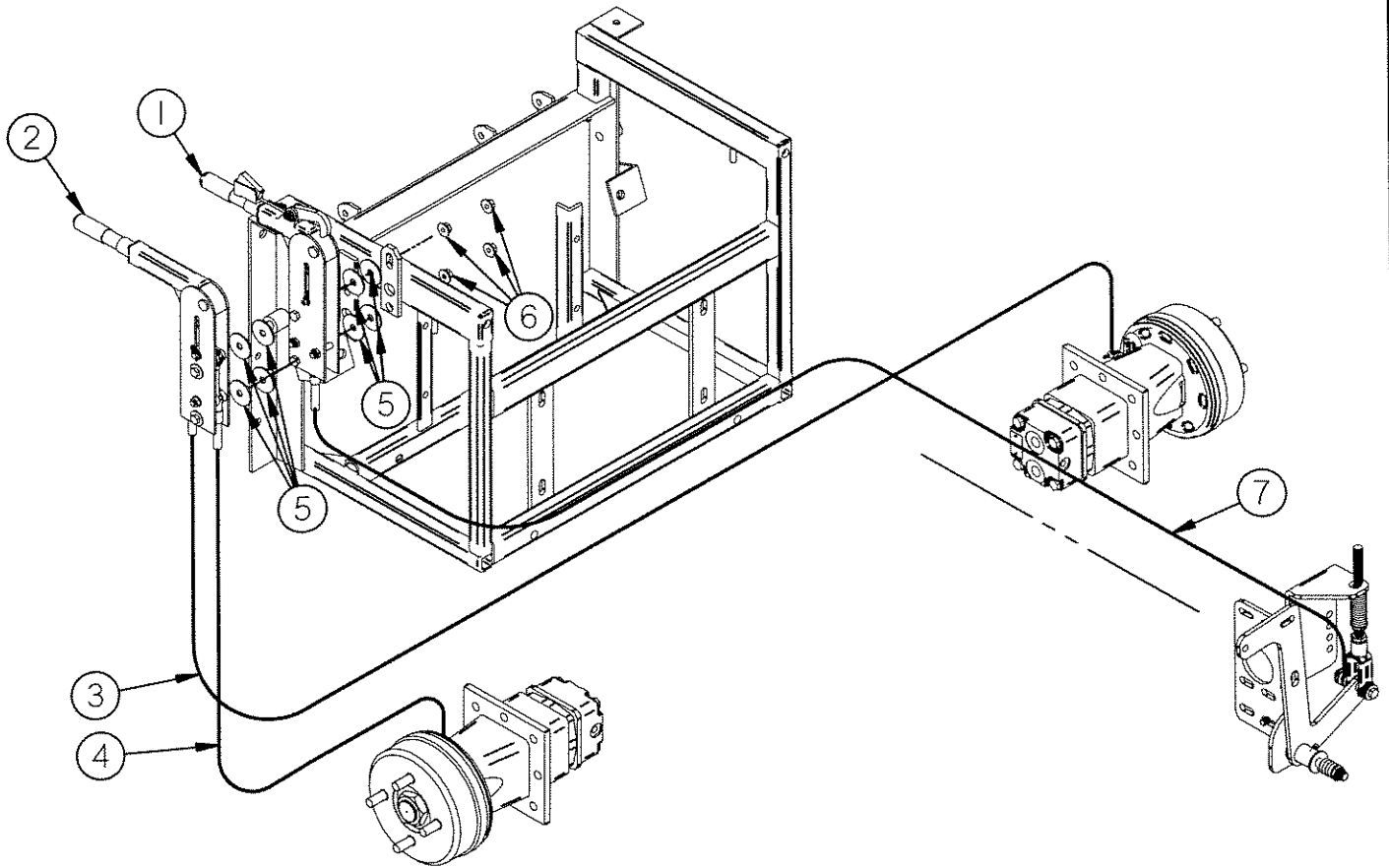


REF	PART#	DESCRIPTION	Qty
1	67258	1/4" X 1" Handle Grip (Black)	1
2	97147	Diesel Throttle Handle	1
3	N-134	5/16"-18 Large Flange Lock Nut	1
4	N-107	3/8"-16 Nylon Lock Nut	1
5	W-104	3/8" Flat Washer	2
6	P-122	1/4" X 3/4" Pin	1
7	20224	#13 Hairpin Clip	2
8	97144	Throttle Rod, Yoke, and Nut	1
9	400004	Right Fender-7 Gallon Low Ride	1

REF	PART#	DESCRIPTION	Qty
10	W-125	3/8" X 7/8" Plastic Washer	3
11	97011	Throttle Handle Bracket	1
12	B-108	3/8"-16 X 1" Bolt	1
13	C-105	#10-24 Clip (Fold over nut)	2
14	B-107	5/16"-18 X 3/4" HH Bolt	1
15	W-113	5/16" Standard Flat Washer	1
16	W-152	#10 Stainless Washer	2
17	B-203	#10-24 X 3/4" S.S. HH Bolt	2
18	65270	Stainless Fender Throttle Bracket	1
19	W-121	#8 Flat Washer	2

DIXIE CHOPPER.

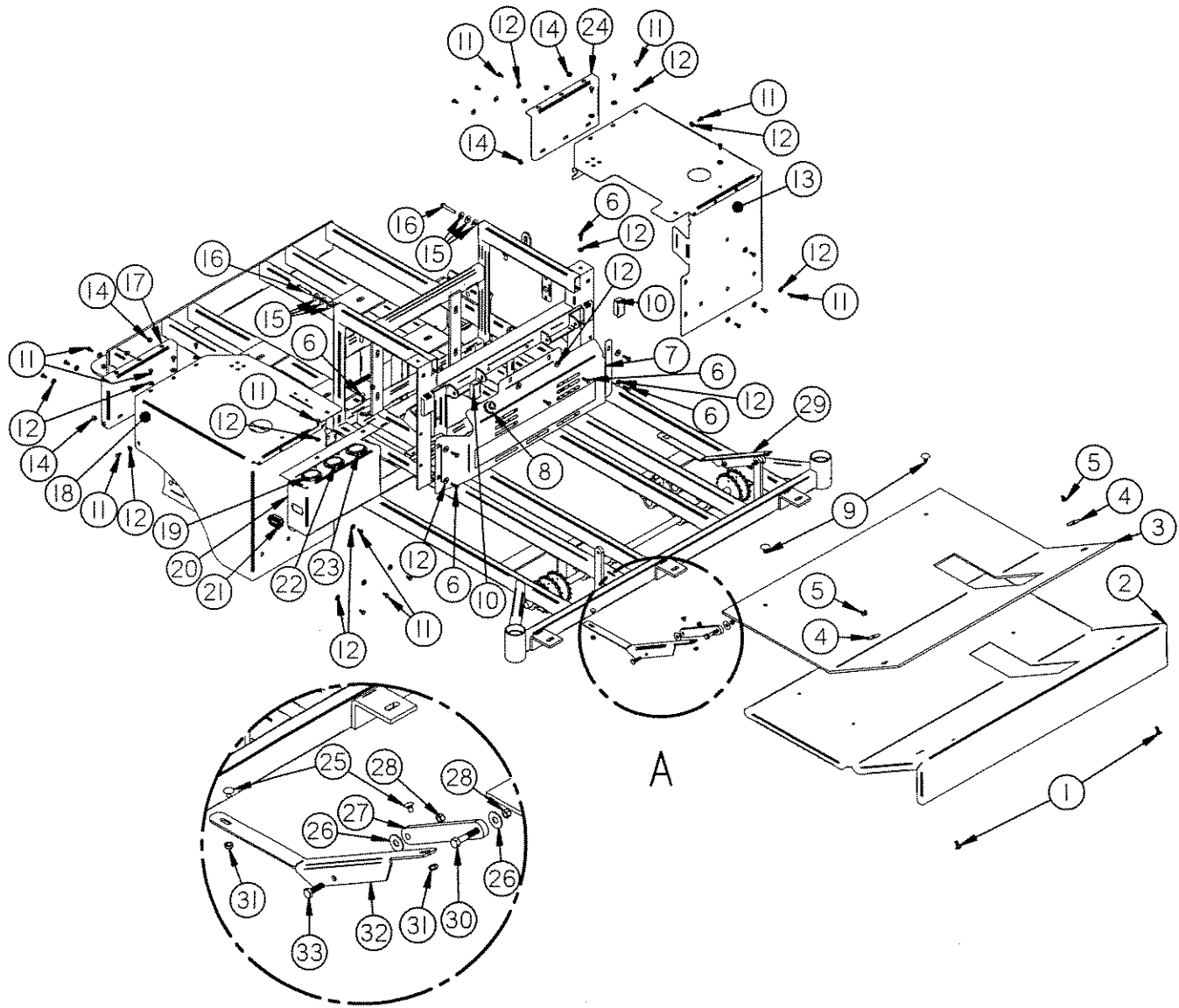
BRAKE & DECK ENGAGING



REF	PART#	DESCRIPTION	Qty
1	97303	Deck Engaging Handle & Cable Asm	1
2	97094	Brake & Cable Asm	1
3	65247	Right Brake Cable (Long)	1
4	65246	Left Brake Cable (Short)	1
5	W-106	3/8" Fender Washer Thick	8
6	N-134	5/16"-18 Large Flange Lock Nut	4
7	990597303	Deck Engaging Cable Only	1

DIXIE CHOPPER

BODY



DETAIL A

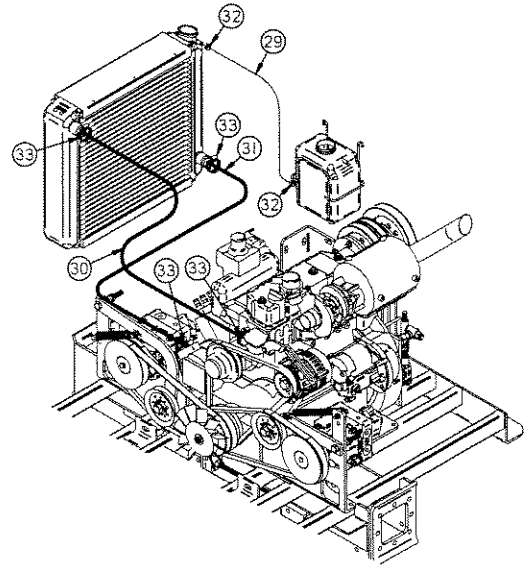
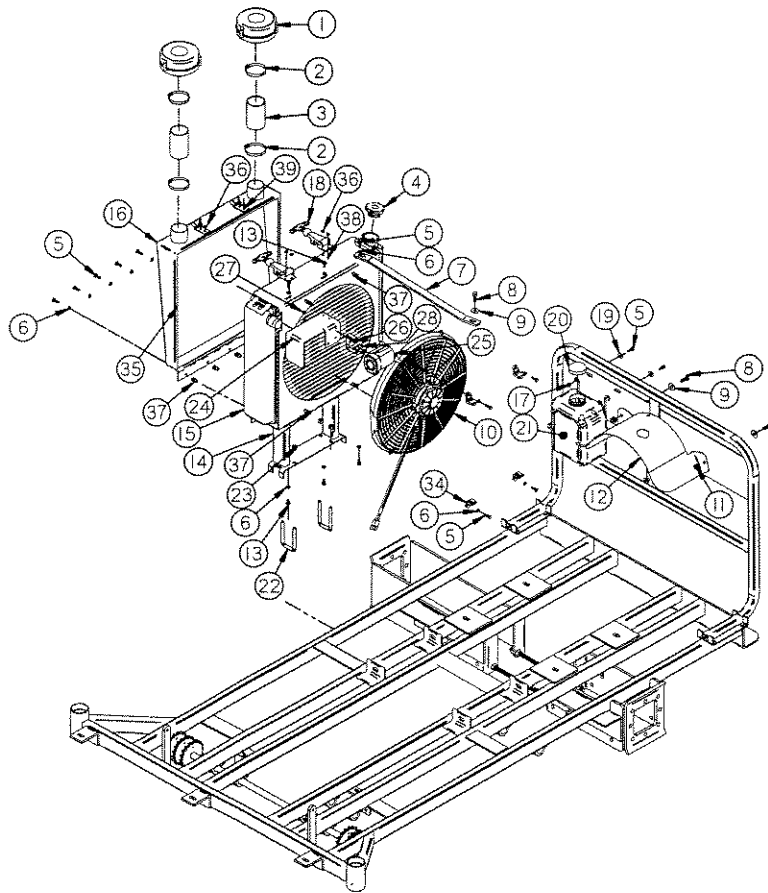


BODY CONT'D

REF	PART#	DESCRIPTION	Qty
1	B-104	5/16"-18 X 3/4" Carriage Bolt	2
2	97358	Stainless Floor Pan	1
3	97359	Floor Pan Carpet	1
4	W-106	3/8" Fender Washer	2
5	N-106	5/16"-18 Wing Nut	2
6	B-209	1/4"-20 X 3/4" SS HHCS	8
7	400119	Diesel SS Front Panel	1
8	933110-00100 933110-00301 97326 500000	Key & Ignition Set of 2 Keys Wiring Harness Only Kit-(Includes:933110-00100, & 97326)	1
9	C-111	Plastic Christmas Tree Cap (For Floor Pan)	2
10	67256	2" X 1" End Cap f/Transmission Frame	2
11	B-103	1/4"-20 X 1/2" Stainless Bolt	24
12	W-153	1/4" Stainless Flat Washer	32
13	400040	Left Fender	1
14	N-101	1/4"-20 Stainless Whiz Nut	8
15	W-113	5/16" Standard Flat Washer	6
16	B-105	5/16"-18 X 1 3/4" Full Thread	2
17	400034	7 Gallon Right Rear Fuel Tank Support Bracket	1
18	400004	Right Fender	1
19	68239	Voltage Meter	1
20	97360	Diesel Guage Bracket	1
21	20246-D	Hour Meter	1
22	97355	Water Temperature Guage	1
23	97354	Oil Pressure Guage	1
24	400033	7 Gallon Left Rear Fuel Tank Support Bracket	1
25	B-157	1/4"-20 X 1/2" Carriage Bolt	4
26	W-125	3/8" X 7/8" Plastic Washer	4
27	400007	Floor Pan Hinge Connecting Arm	2
28	N-131	5/16"-18 Nyloc Nut	4
29	400005	Floor Pan Hinge Bracket (Left)	1
30	B-174	5/16"-18 X 1 1/4" Bolt	2
31	N-176	1/4"-20 Nyloc Nut	4
32	400006	Floor Pan Mounting Bracket (Right)	1
33	B-131	5/16"-18 X 1 HHCS Gr. 5	2

DIXIE CHOPPER.

RADIATOR ASSEMBLY

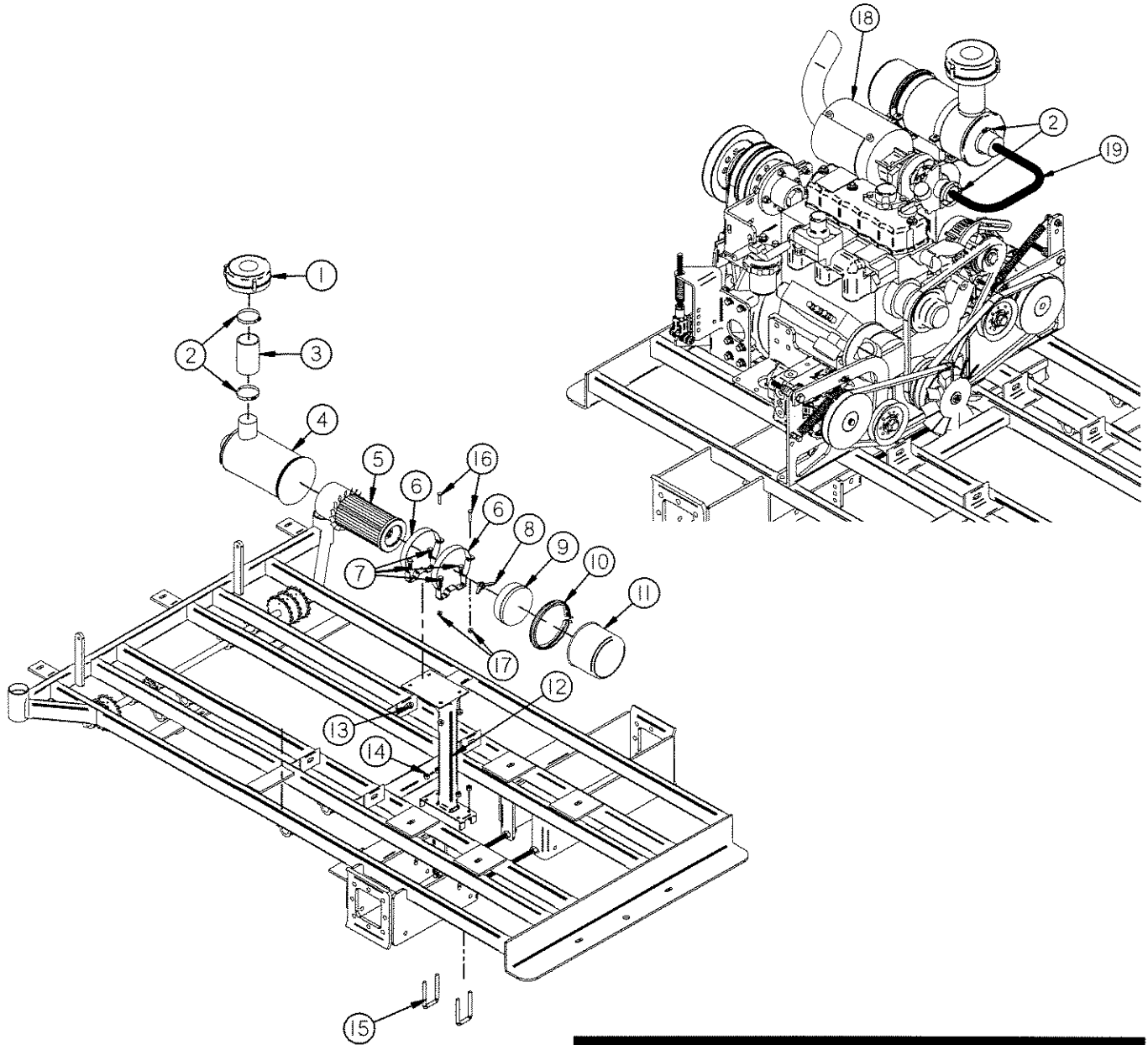


REF	PART#	DESCRIPTION	Qty
1	90115	Turbinator Pre-cleaner	2
2	90125	2" Hose Clamp	4
3	72126	2" Air Cleaner Hose	2
4	97383	Radiator Cap	1
5	B-102	1/4"-20 X 3/4" HHCS	13
6	W-122	1/4" Lock Washer	15
7	990710008	Radiator Support Brace	1
8	B-108	3/8"-16 X 1" Bolt	3
9	W-104	3/8" Flat Washer	3
10	97189	Electric Radiator Fan	1
11	N-108	3/8"-16 Whiz Flange Lock Nut	3
12	97347	Rear Pulley Guard	1
13	B-101	1/4"-20 X 1/2" Bolt	4
14	97187	Radiator Deep Core Mount	1
15	97188	Radiator Deep Core	1
16	97150	Radiator Screen Box	1
17	N-102	1/4"-20 Whiz Flange Nut	2
18	97386	Rubber Latch Assembly	2
19	W-102	1/4" Flat Washer	2
20	97389	Coolant Overflow Cap	1

REF	PART#	DESCRIPTION	Qty
21	97337	Coolant Overflow Tank (Inc. ref# 20 & 29)	1
22	B-204	3/8"-16 Square Bend U Bolt (2"L X 1 3/8"W)	2
23	N-107	3/8"-16 Nylon Lock Nut	4
24	97361	Oil Siren Bracket	1
25	97362	Oil Siren	1
26	W-183	#6 SAE Flat Washer	2
27	N-193	#6-32 HH Nut	2
28	B-288	#6-32 X 1/2" Phillips Head Screw	2
29	40211	1/4" Hose	/ft.
30	990597336	1" Radiator Hose (Top)	1
31	990598009	1" Radiator Hose (Bottom)	1
32	40213	1/4" Spring Clamp	2
33	97375	#20 Adjustable Hose Clamp	4
34	97190	Clip F/Fan	4
35	97385	Trim-Lock F/Radiator Screen	/in.
36	N-169	10-24 Hex K-Loc Nut	8
37	N-152	1/4"-20 Insert	9
38	B-233	#10-24 X 1/2" Phillip Flat Head	4
39	B-289	#10-24 X 1/2" Bolt	4

DIXIE CHOPPER.

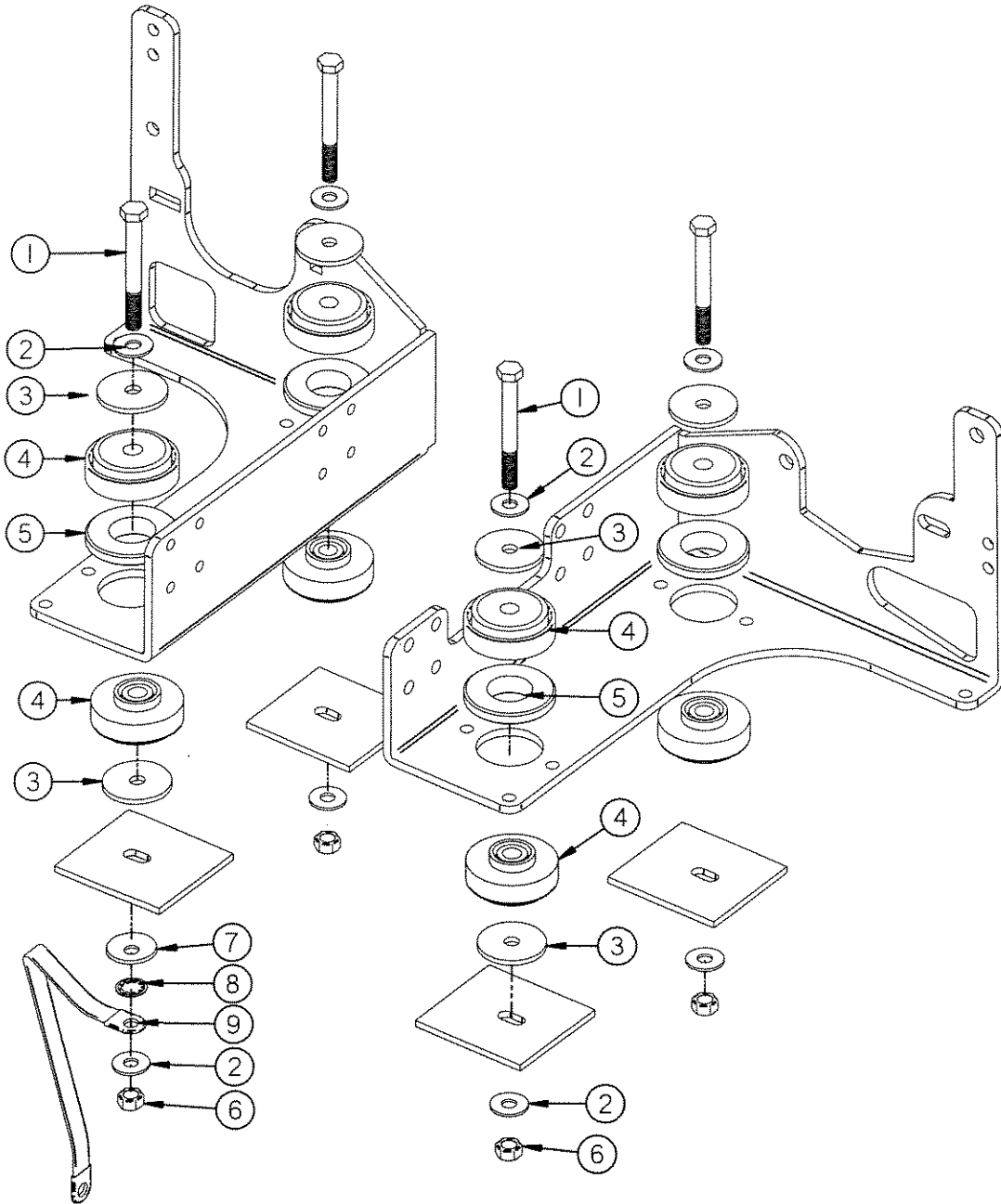
ENGINE AIR FILTER



REF	PART#	DESCRIPTION	Qty
1	90115	Turbinator Pre-cleaner	1
2	90125	2" Hose Clamp	4
3	90126-T	Donaldson Air Intake Hose (4" Long)	1
4	90121	Donaldson Air Cleaner Canister (Inc. Ref #'s 4,5,8,9,10,11)	1
5	90122	Primary Donaldson Air Filter	1
6	90123	Donaldson Air Cleaner Bracket	2
7	B-107	5/16"-18 X 3/4" Bolt	4
8	P101870	Donaldson Air Filter Wing Nut	1
9	P102523	Donaldson Air Filter Rubber Baffle	1
10	P002904	Air Cleaner Cannister Clamp	1
11	P103007	Air Filter Cup Housing	1
12	97331	Donaldson Filter Mount Bracket	1
13	N-103-W	5/16"-18 Whiz Flange Lock Nut	4
14	N-107	3/8"-16 Nylon Lock Nut	4
15	B-204	3/8"-16 Square Bend U Bolt (2"L X 1 3/8"W)	2
16	B-148	1/4" X 1 1/4" HH Bolt Gr.5	2
17	N-102	1/4"-20 Whiz Flange Nut	2
18	98065	Yanmar Muffler (4-Hole)	1
19	990597377	Air Filter Hose	1

DIXIE CHOPPER

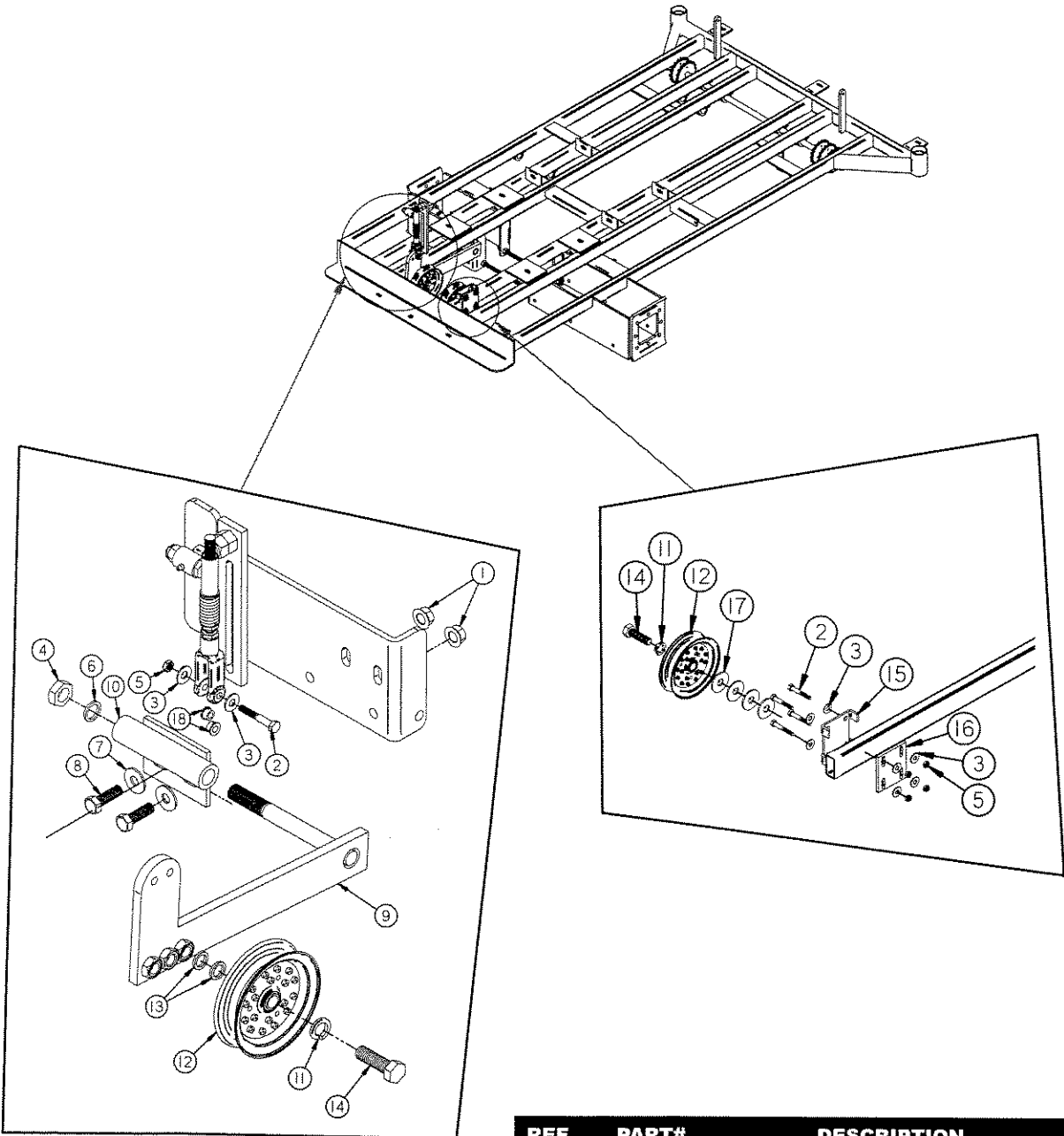
DIESEL MOTOR MOUNT



REF	PART#	DESCRIPTION	Qty	REF	PART#	DESCRIPTION	Qty
	600025	Kit-Motor Mount		5	600027	Aluminum Mount Bushing	4
1	B-256	1/2"-20 X 4 1/2" HHCS Gr. 8	4	6	N-178	1/2"-20 Auto Lock Nut	4
2	W-109	1/2" Flat Washer	8	7	W-158	1/2"ID X 1 5/8"OD Teeth Bellville	1
3	W-172	1/2"ID X 2 3/4"OD Washer (3/16" thick)	6	8	W-157	1/2" Star Tooth Washer	1
4	600026	Mount-Rubber Diesel Motor (1 pr.)	4	9	97382	Braided Ground Strap	1

DIXIE CHOPPER

REAR IDLERS

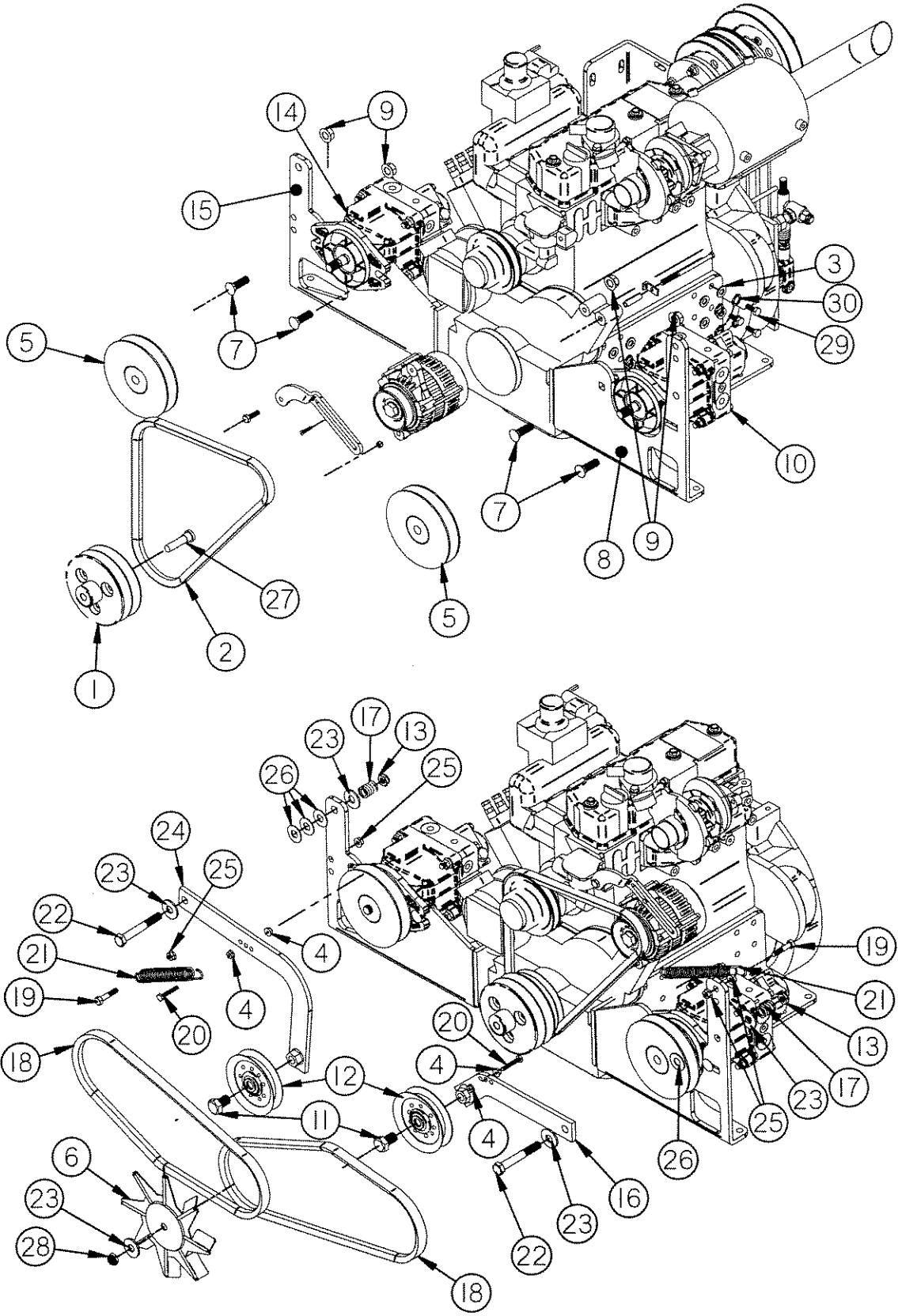


REF	PART#	DESCRIPTION	Qty
1	N-157	1/2"-13 Whiz Flange Nut	2
2	B-156	5/16"-18 X 2" HHCS Bolt Gr. 5	5
3	W-113	5/16" Standard Flat Washer	10
4	N-124	3/4"-16 Stover Lock Nut	1
5	N-144	5/16"-18 Nylon Jam Nut	5
6	20264	3/4"ID X 1"OD X 1/8" Thick Washer	1
7	W-109	1/2" Flat Washer	2
8	B-123	1/2"-13 X 1 1/2" HH Bolt	2
9	97352	Belt Tension Idler Arm	1

REF	PART#	DESCRIPTION	Qty
10	97447	Diesel Deck Belt Drive Idler Mount Brkt.	1
11	W-111	5/8" Lock Washer	2
12	97319	C-Section V-Idler Pulley	2
13	30112	5/8"ID X 7/8"OD X 1/8" Thick Washer	2
14	B-185	5/8"-11 X 2" HHCS Gr. 5 Zinc	2
15	97351	Bottom Idler Bracket	1
16	97134-P	Idler Mount Plate	1
17	W-135	5/8" Flat Washer	4
18	20221	Nylon Bushing	2

DIXIE CHOPPER

FRONT ENGINE ASSEMBLY



DIXIE CHOPPER

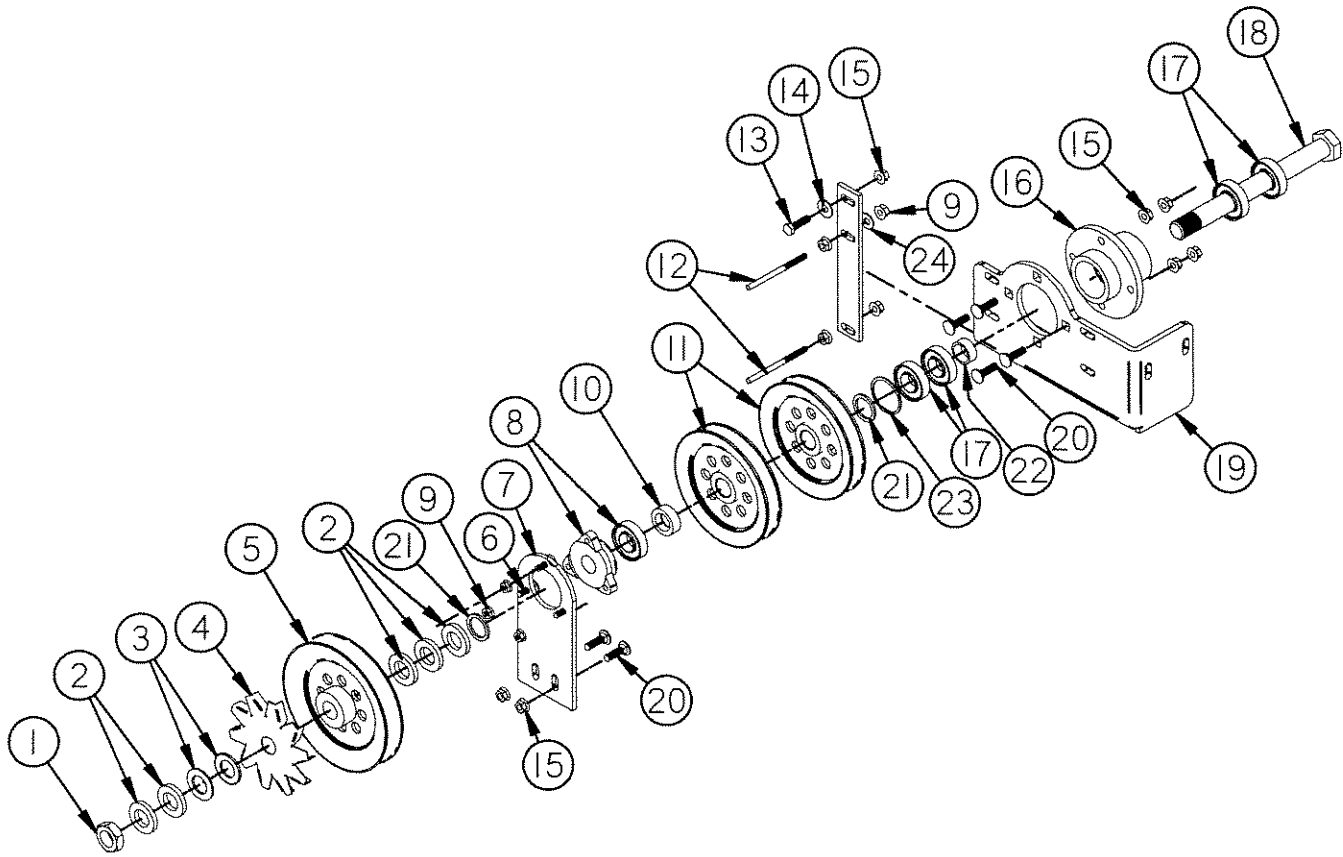
FRONT ENGINE ASSEMBLY

CONT'D

REF	PART#	DESCRIPTION	Qty
1	97320	Double Groove 3 Hole Pulley	1
2	97378	A-38 Alternator Belt	1
3	W-160	#10 Flat Washer	16
4	N-102	1/4"-20 Whiz Flange Nut	4
5	990797317	Pulley F/Pump (4.4 OD)	2
6	97381	8"-10 Blade Plastic Fan f/Pulley (1/2" Bore)	1
7	B-211	1/2"-13 X 1 1/2 Carriage Bolt	4
8	97059	Left Pump Mount Bracket	1
9	N-157	1/2"-13 Whiz Flange Nut	4
10	97308	21L Hydraulic Pump (Left)	1
11	B-188	5/8"-11 X 1 1/4" Bolt	2
12	30234	4 1/2" V-Idler Pulley	2
13	N-126	1/2"-13 Jam Nyloc Nut	2
14	97307	21L Hydraulic Pump (Right)	1
15	97060	Right Pump Mount Bracket	1
16	97329	Left Idler Arm	1
17	20252	Spring	2
18	20256	Drive Belt B-38	2
19	B-158	3/8"-16 X 1 1/2" HH Bolt	2
20	B-148	1/4"-20 X 1 1/4" Bolt	2
21	98122	Spring f/Idler	2
22	B-119	1/2"-13 X 3" HHCS Bolt	2
23	W-156	1/2" Flat Washer	5
24	97330	Right Idler Arm	1
25	N-108	3/8"-16 Whiz Flange Nut	4
26	W-140	5/8" Nylon Washer	4
27	B-266	2" Wheel Stud Bolt	1
28	N-162	1/2"-20 Nyloc Nut	1
29	B-219	M10-1.50 X 25 Bolt	16
30	W-162	#10 Lock Washer	16

DIXIE CHOPPER

UPPER DECK DRIVE

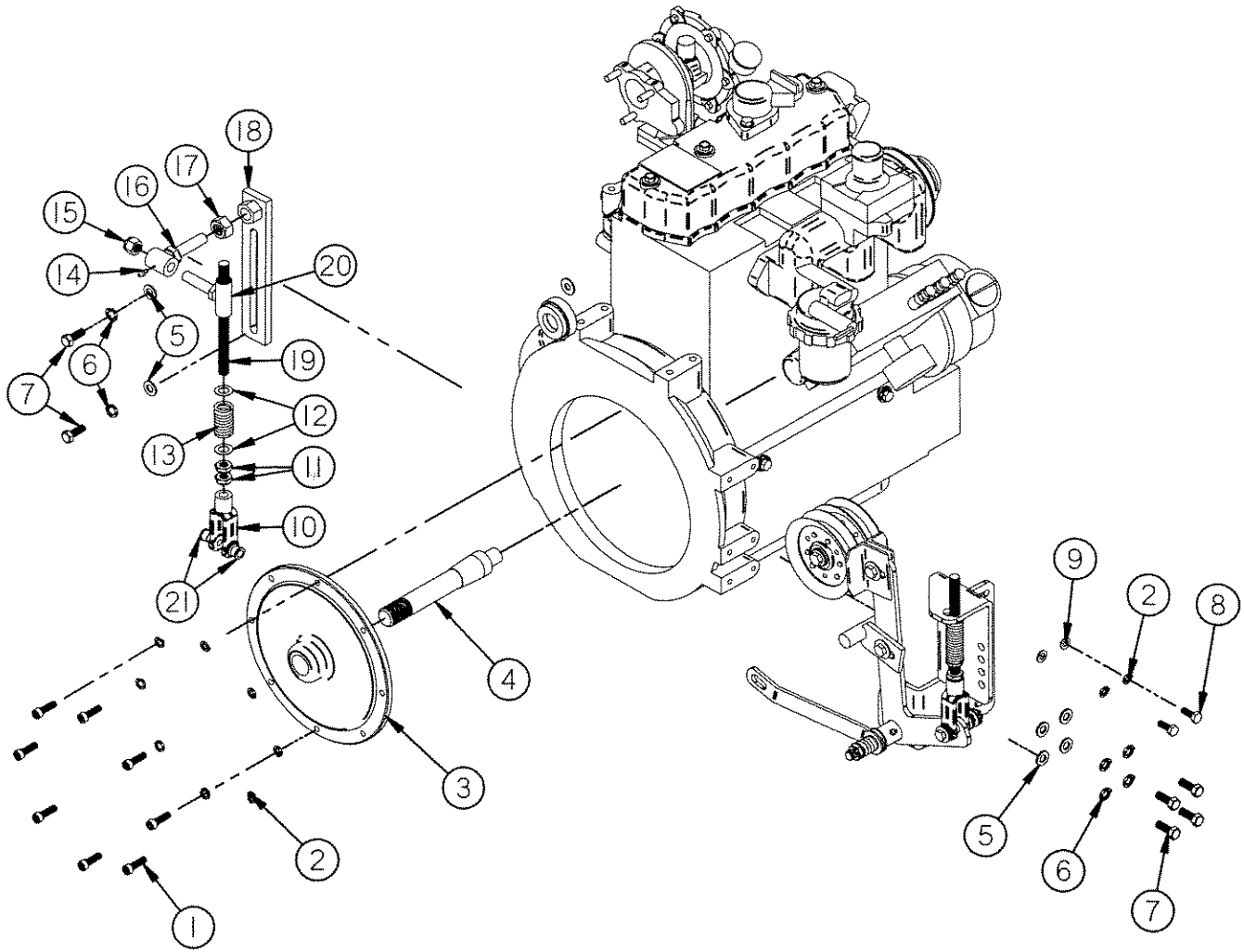


REF	PART#	DESCRIPTION	Qty
1	N-167	1"-14 Jam Nut Zinc	1
2	W-146	1" ID X 1 3/4" OD X 1/4" Thick Washer	5
3	W-137	1" X 2" Bellville Washer	2
4	72266	Deck Pulley Fan	1
5	9907700X100C	7" OD X 1" ID C-Section Split Pulley	1
6	B-107	5/16"-18 X 3/4" HH Bolt	3
7	97064	Crank Drive Support Plate	1
8	63301-C	Bearing Housing & Bearing	1
9	N-103-W	5/16"-18 Whiz Flange Nut	7
10	63216	Locking Collar	1
11	9907600X100S	6" OD X 2" ID Split B-Groove Pulley	2
12	97149	Declutch Belt Guide	2

REF	PART#	DESCRIPTION	Qty
13	B-109	3/8"-16 X 1 1/4" Bolt	1
14	W-104	3/8" Flat Washer	1
15	N-108	3/8"-16 Whiz Flange Lock Nut	7
16	68241	Center Hub (1 Hub, 1 Retainer, 1 Spacer, 4 Bearings)	1
17	30218	Bearing & Spacer	4
18	97388	Jackshaft	1
19	97061	Diesel Jackshaft Mount	1
20	B-136	3/8" X 1 1/4" Carriage Bolt	6
21	W-131	1" ID X 1 1/2" OD X 1/8" Thick Washer	2
22	300022	Spacer-1/2" Machined	1
23	788080	Snap Ring-Retainer	1
24	W-113	5/16" Flat Washer	1

DIXIE CHOPPER

REAR ENGINE ASSEMBLY

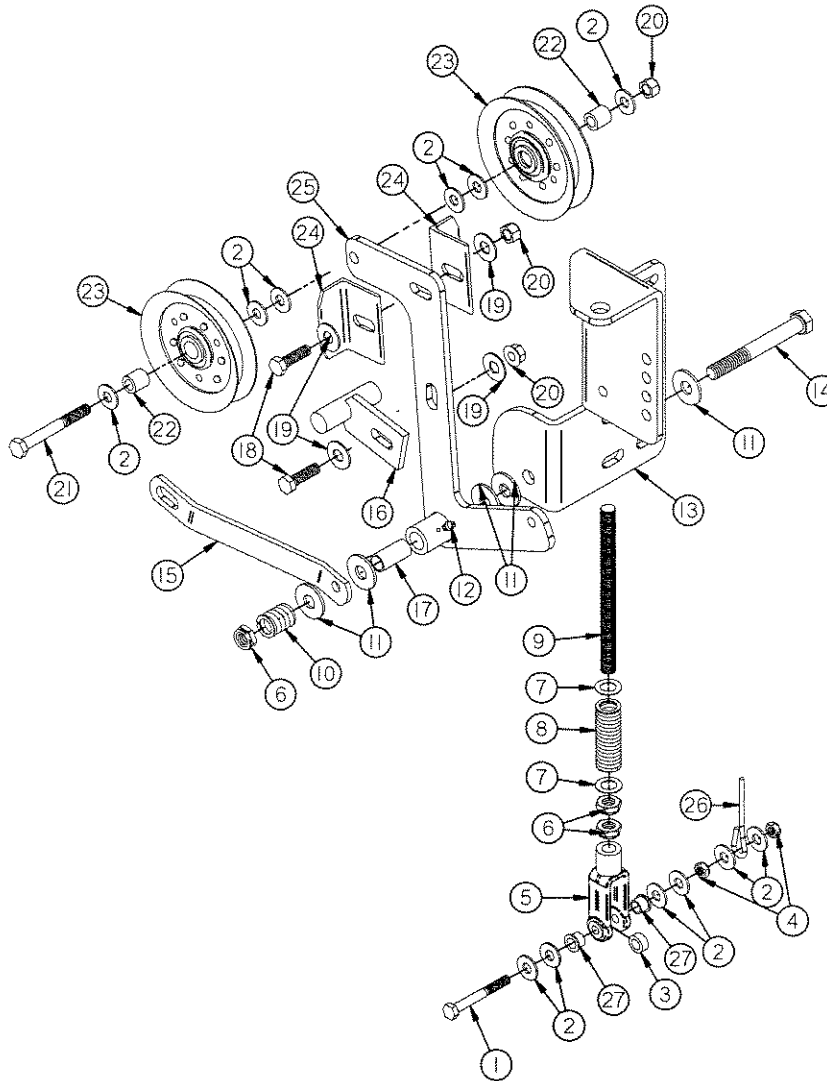


REF	PART#	DESCRIPTION	Qty
1	B-221	M8-1.25 X 20 Socket Head	8
2	W-163	M8 Lock Washer	10
3	97342	Crank Plate	1
4	97341	Taper Shaft For Crank Plate	1
5	W-160	M10 Flat Washer	6
6	W-162	M10 Lock Washer	6
7	B-219	M10-1.5 X 25	6
8	B-221	M8-1.25 X 20	2
9	W-121	M8 Flat Washer	2
10	N-163	1/2"-20 Yoke	1

REF	PART#	DESCRIPTION	Qty
11	N-126	1/2"-13 Jam Nyloc Nut	2
12	W-110	1/2" Machinery Bushing (.515ID X .875OD)	2
13	30207-S	Deck Engaging Spring	1
14	F-100	3/16" Drive-in Grease Fitting	1
15	N-143	1/2"-13 Nyloc Insert Lock	1
16	97350	Idler Trunion	1
17	N-120	5/8"-11 Hex Nut	1
18	20126-1	Chain Idler Bracket w/Nut	1
19	97448	1/2"-20 X 8" All Thread	1
20	97357	Engaging Spring Tube Weldment	1
21	97306	3/8" Nylon Bushing	2

DIXIE CHOPPER

BELT TENSION ARM



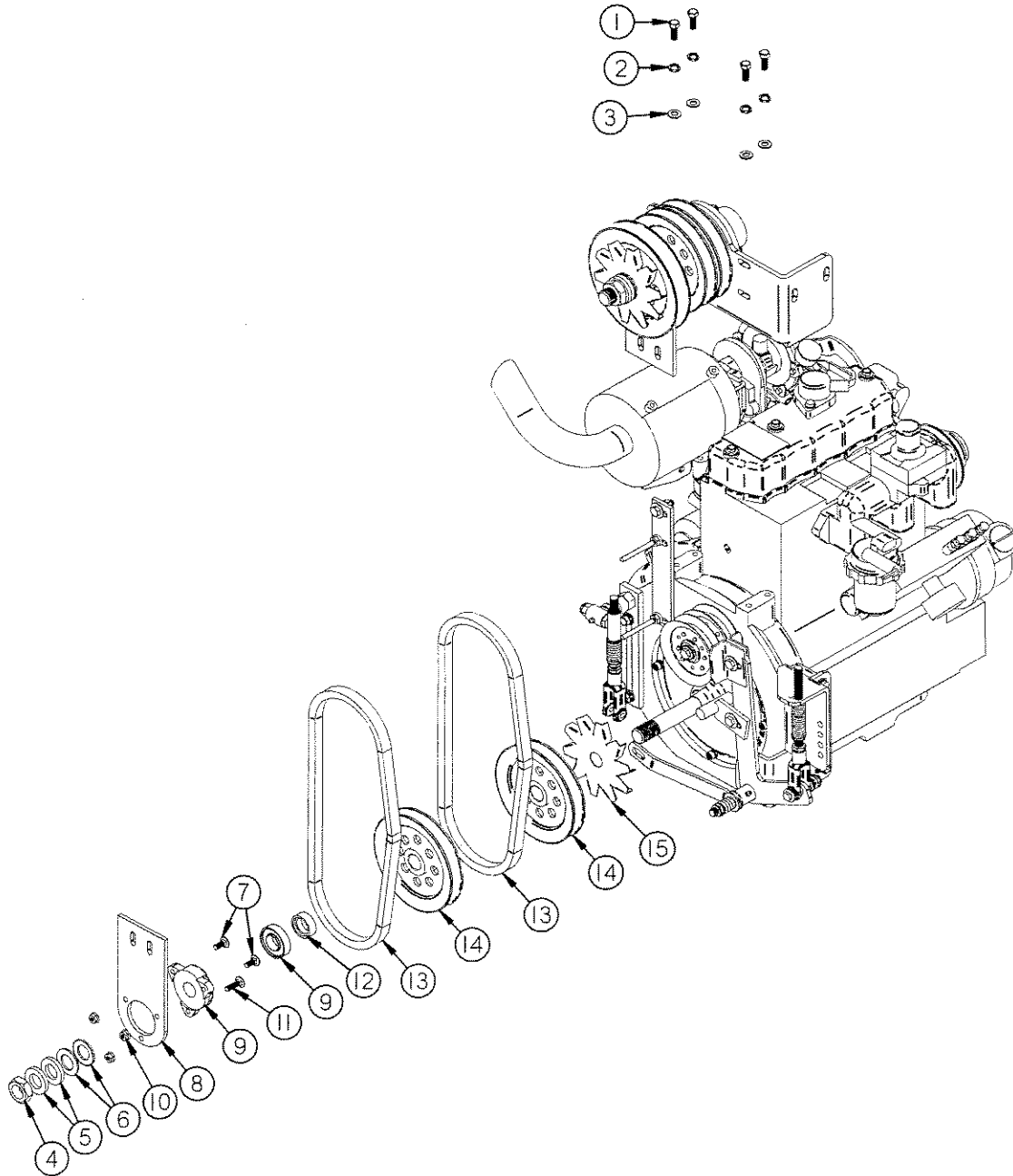
REF	PART#	DESCRIPTION	Qty
1	B-173	5/16"-18 X 2 1/2" Bolt	1
2	W-113	5/16" STD Flat Washer	12
3	97416	.260L X .375ID X .625 OD Spacer	1
4	N-144	5/16"-18 Nylon Jam Nut	2
5	N-163	1/2"-20 Yoke	1
6	N-126	1/2"-13 Jam Nyloc	3
7	W-110	1/2" Machinery Bushing	2
8	97390	40 Lb Engaging Spring	1
9	97448	1/2"-20 X 8" All-thread	1
10	20252	Spring	1
11	W-109	1/2" Flat Washer	5
12	F-100	3/16" Drive-in Grease Fitting	1
13	97062	Declutch Assembly Mount Bracket	1
14	B-207	1/2"-13 X 4" HHCS	1

REF	PART#	DESCRIPTION	Qty
15	97423	Arm Support Lower Bearing	1
16	97393	Rear Drive Belt Guide	1
17	65276	Brass Bushing (1/2" X 5/8" X 1 1/4")	1
18	B-109	3/8"-16 X 1 1/4" Bolt	2
19	W-104	3/8" Flat Washer	4
20	N-107	3/8"-16 Nylon Lock Nut	3
21	B-140	3/8"-16 X 3" Gr. 5 HH Bolt	1
22	97415	.375ID X .625OD X .625 Long Spacer	2
23	30234	4 1/4" Idler V-Pulley	2
24	97396	Angle Belt Guide	2
25	97063	Diesel Declutch Pivot Arm	1
26	990597303	Deck Engaging Cable	1
27	97306	3/8" Nylon Bushing	2

DIXIE CHOPPER.

REAR ENGINE ASSEMBLY

CONT'D

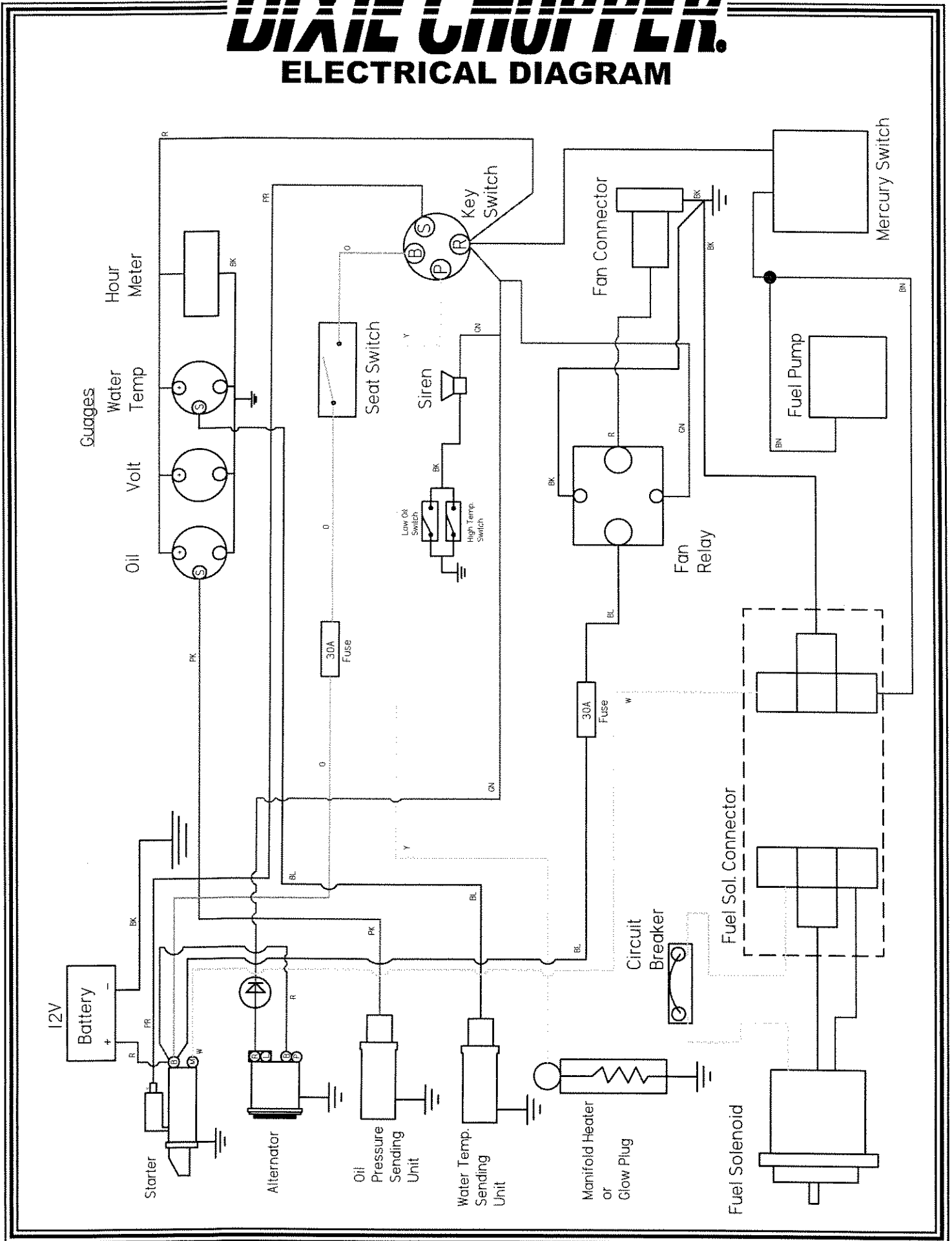


REF	PART#	DESCRIPTION	Qty
1	B-219	M10-1.50 X 25	4
2	W-162	M10 Lock Washer	4
3	W-160	M10 Flat Washer	4
4	N-167	1"-14 Jam Nut Zinc	1
5	W-146	1" ID X 1 3/4" OD X 1/4" Thick Washer	2
6	W-137	1" X 2" Bellville Washer	2
7	B-259	5/16"-18 X 1" Carriage Bolt	2
8	97064	Crank Drive Support Plate	1

REF	PART#	DESCRIPTION	Qty
9	63301-C	Bearing Housing & Bearing	1
10	N-103-W	5/16"-18 Whiz Flange Nut	3
11	B-215	5/16"-18 X 1 1/4 Carriage Bolt	1
12	63216	Locking Collar	1
13	97345	B40 Engine-Jackshaft Belt	2
14	9907600X100S	6" Split B-Groove Pulley (1" ID)	2
15	72266	Deck Pulley Fan	1

DIXIE CHOPPER

ELECTRICAL DIAGRAM



DIXIE CHOPPER DIXIE CHOPPER.

ELECTRICAL DIAGRAM

CONT'D

PART#	DESCRIPTION
228000-0250	Starter
419836-77201	Alternator
129001-42003	Water Pump
97356	Water Temp. Sending Unit
97355	Water Gauge
97384	Oil Pressure
97354	Oil Gauge
68239	Voltage Gauge
119653-77950	Fuel Solenoid (Stop)
20246	Hour Meter
97362	Siren
97323	Red Battery Cable (Positive)
97382	Engine To Frame (Ground)
97322	Black 12" Battery Cable (Neg.)
9331100-00301	Diesel Ignition Switch
9331100-00301	Diesel Ignition Key Set
97326	Wiring Harness
500000	Complete Harness & Ignition
97189	Electric Fan (F/Radiator)

DIXIE CHOPPER.

NOTES

DIXIE CHOPPER.

NOTES

A large rectangular area enclosed by a double-line border, intended for handwritten notes.

For Dixie Chopper Discount Parts Call 606-678-9623 or 606-561-4983

DIXIE CHOPPER

DIXIE CHOPPER

The World's Fastest Lawn Mower

6302 E. County Road 100 North

Coatesville, IN. 46121

Phone 1-765-CHOPPER

www.dixiechopper.com

Dixie Chopper, Magic Circle, and the Magic Circle Atom Logo are all trademarks of Magic Circle Corporation and may not be reproduced without permission.

Printed In USA

Specifications and instructions subject to change without notice.

Print Date 04/04

www.mymowerparts.com