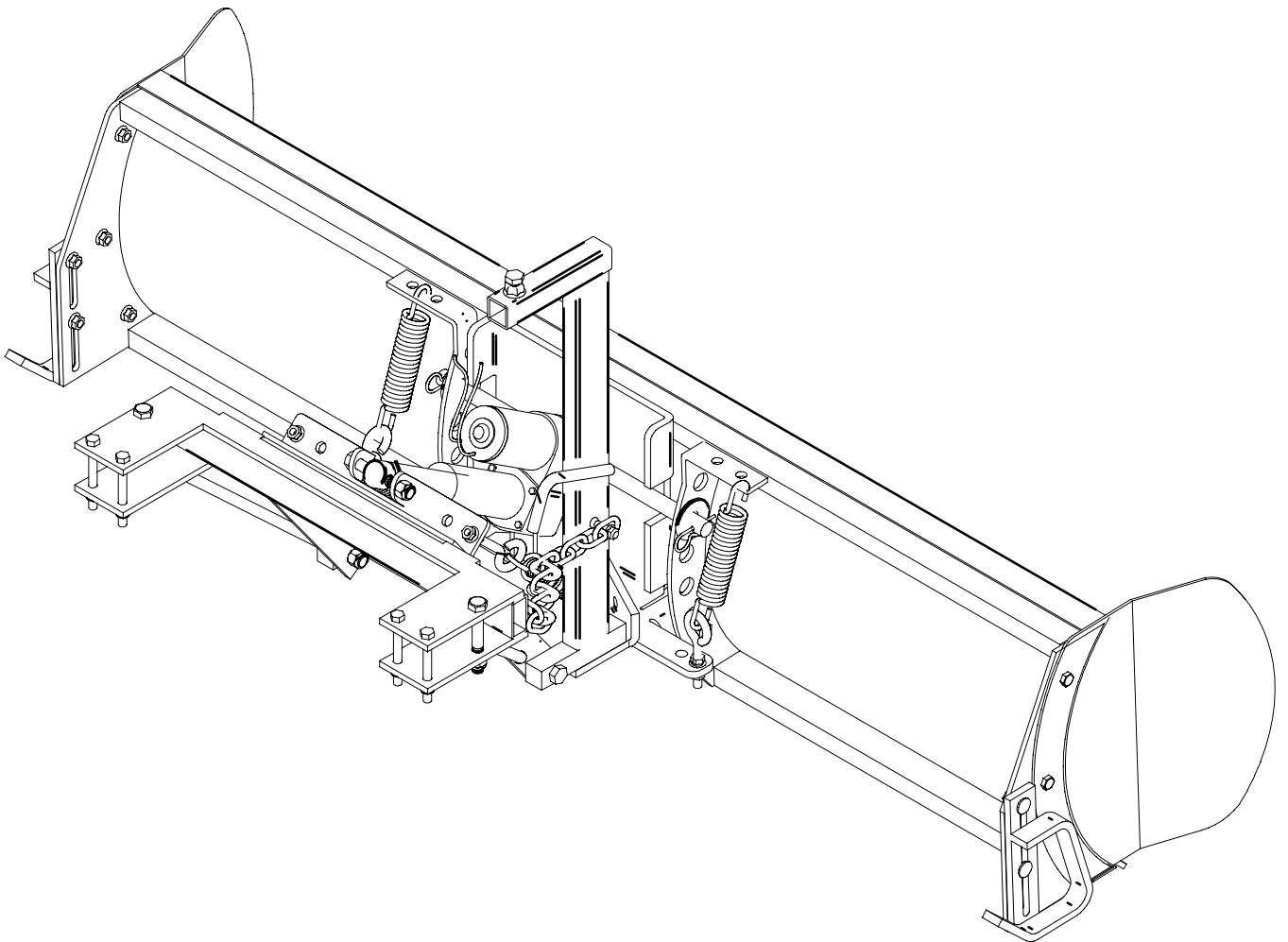


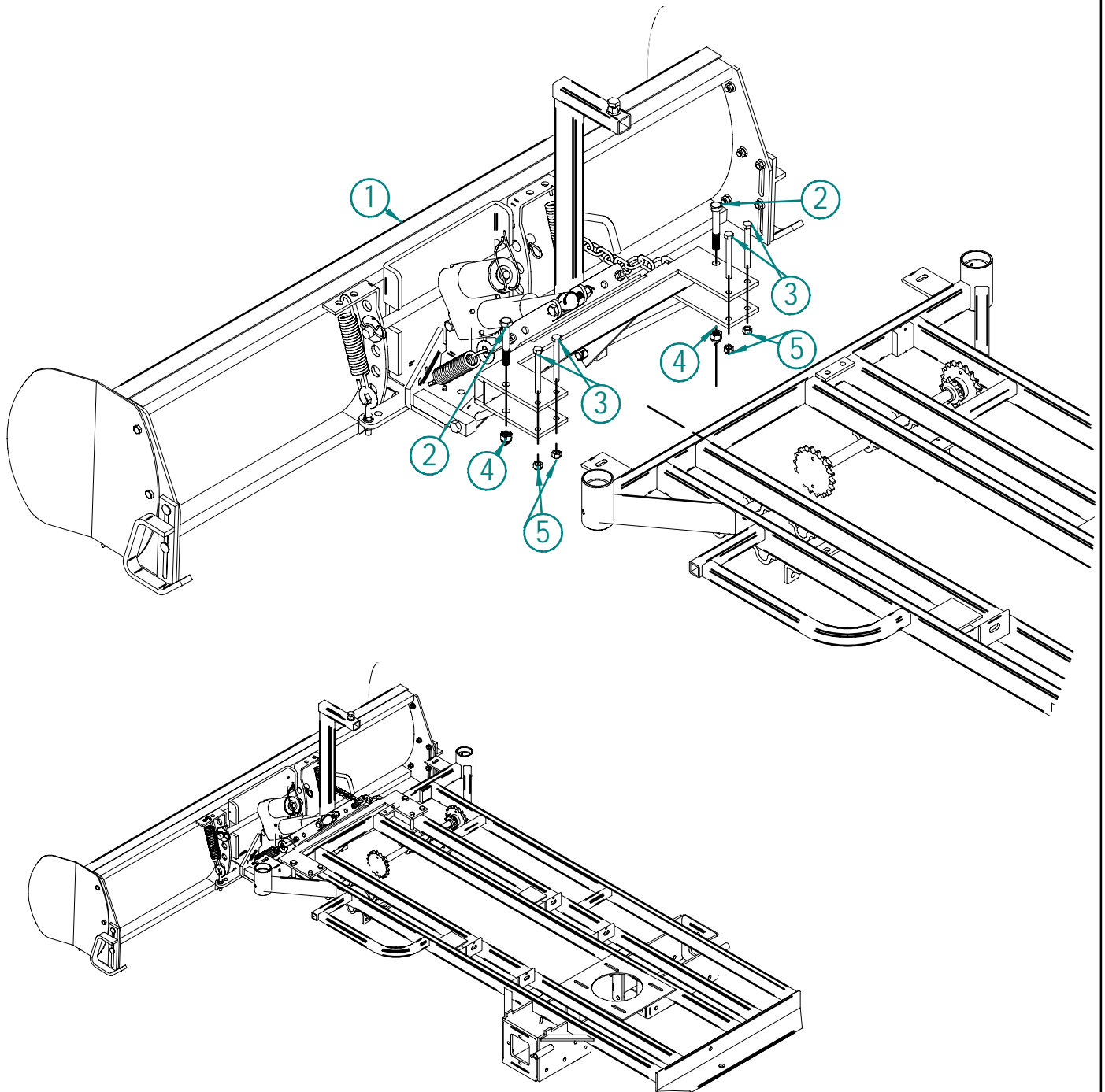
DIXIE CHOPPER

50-60 Snow Blade Information Explosion



DIXIE CHOPPER

Frame Explosion

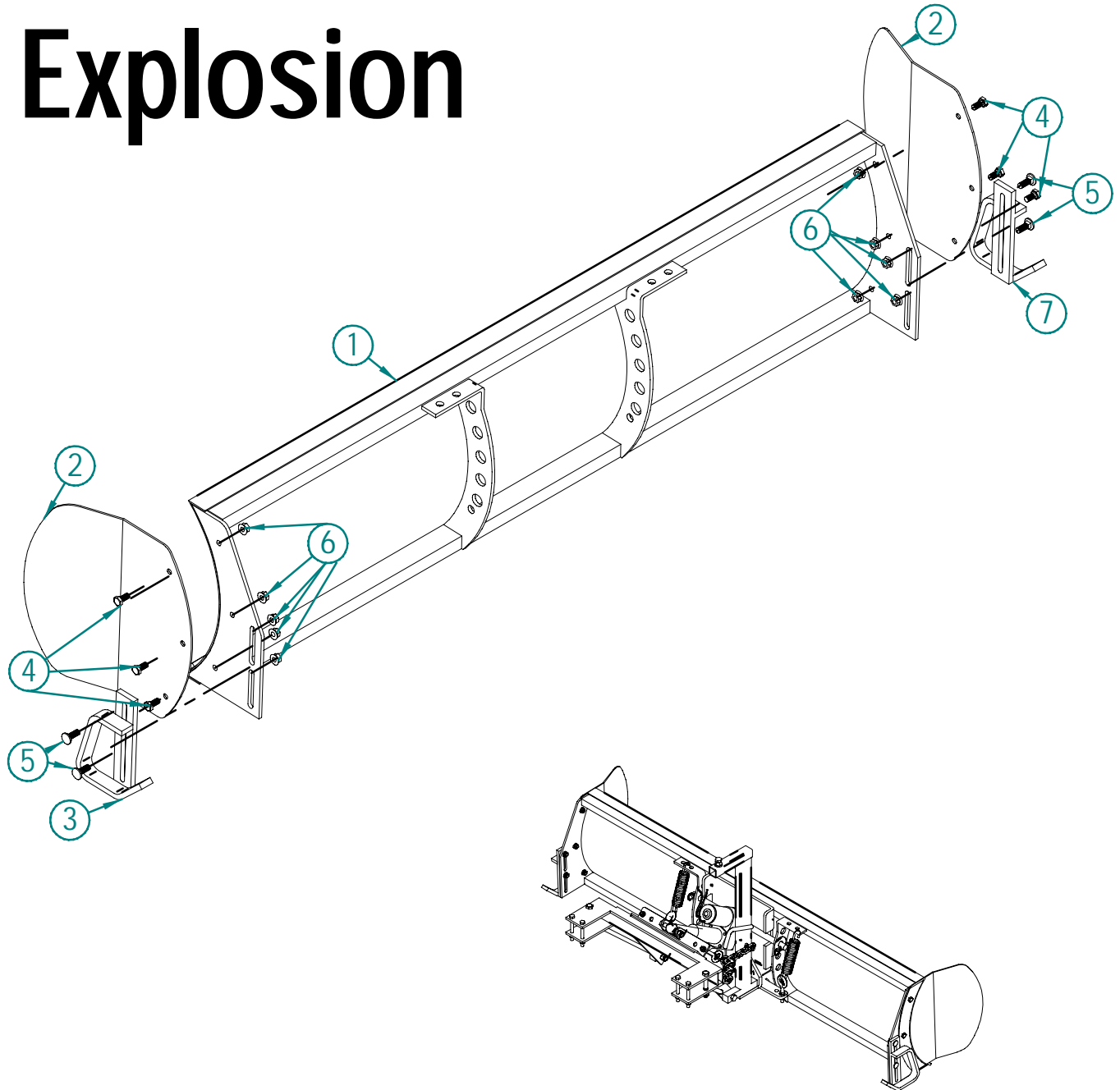


DIXIE CHOPPER

Ref #	Description	Part #	Quantity
1	STD Snow Blade With Electric Lift	90100-97E	1
	STD Snow Blade Without Lift	90100-97	1
2	1/2"-13x3 1/2" Bolt	B-194	2
3	3/8"-16x3 1/2" HHCS	B-191	4
4	1/2"-13 Nylon Inset Lock	N-143	2
5	3/8"-16 Nylon Lock Nut	N-107	4

DIXIE CHOPPER

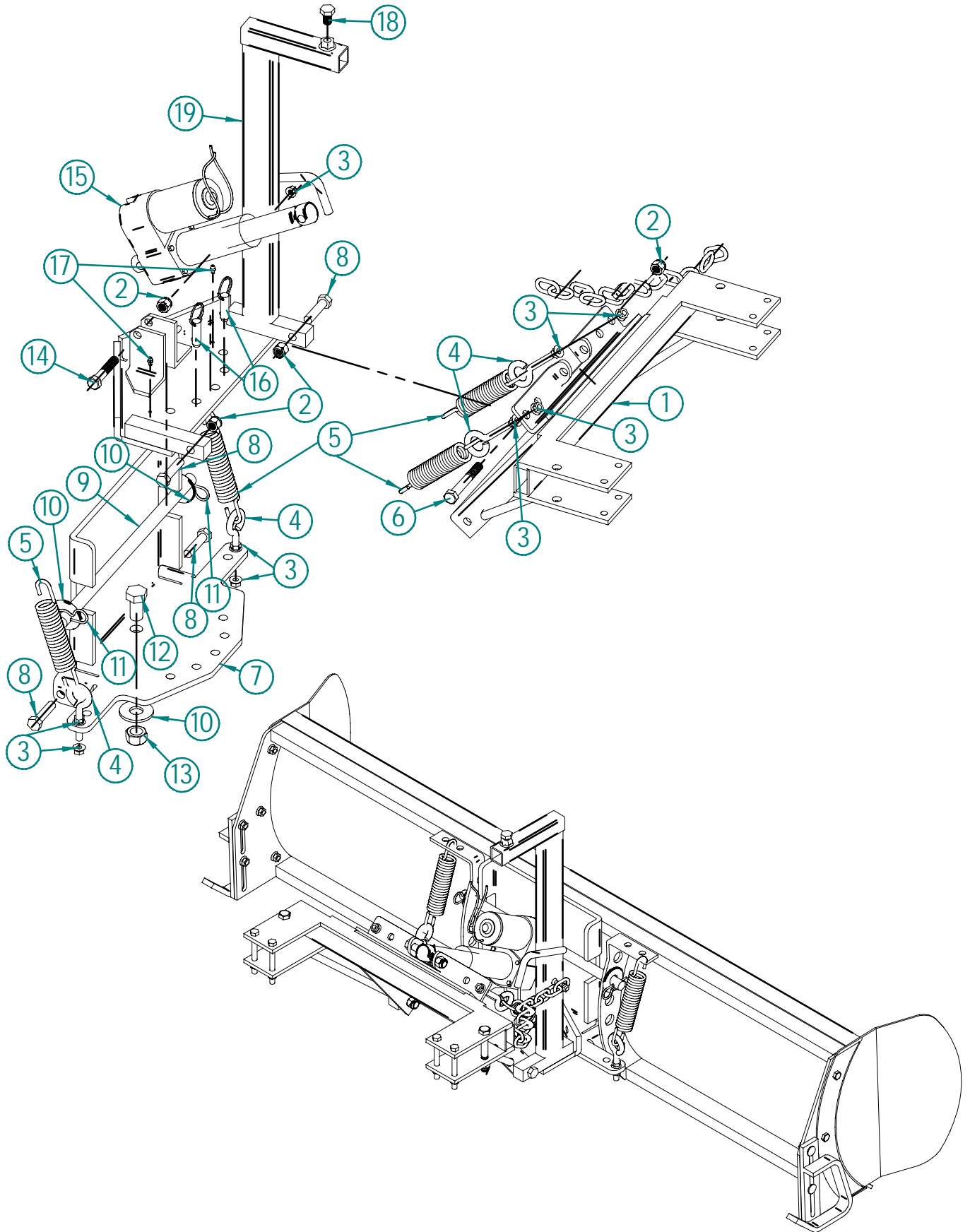
Blade Explosion



DIXIE CHOPPER

Ref #	Description	Part #	Quantity
1	50-60" Snow Blade	90102	1
2	End Bracket	97048	2
3	Left Ground Skid Weldment	97092	1
4	3/8"-16x3/4" Bolt	B-137	6
5	3/8"-16x1" Carriage Bolt	B-135	4
6	3/8"-16 Whiz Flange Nut	N-108	10
7	Right Ground Skid Weldment	97091	1

DIXIE CHOPPER

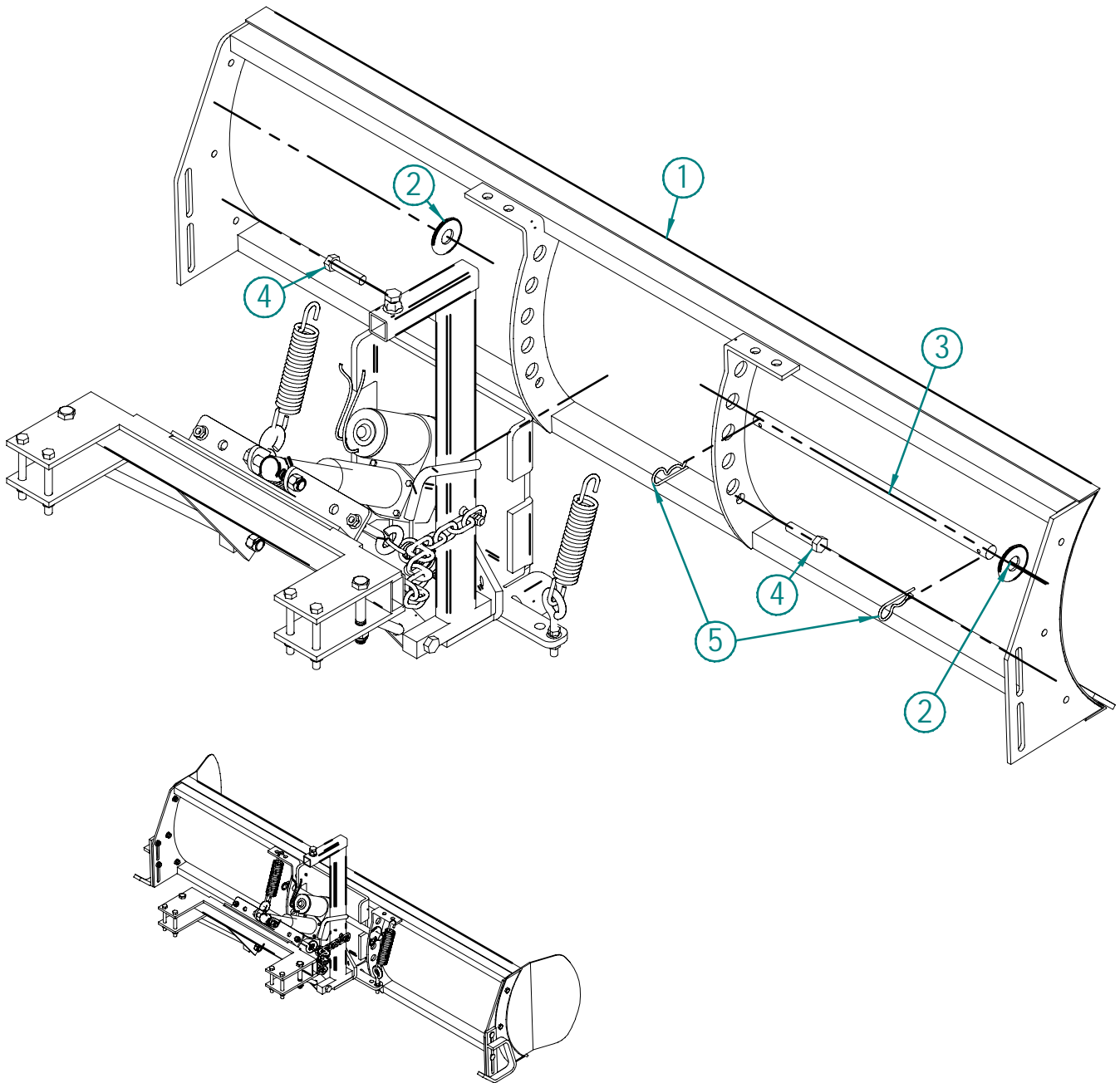


DIXIE CHOPPER

Ref #	Description	Part #	Quantity
1	Frame Mount	97051	1
2	1/2"-13 Nylon Inset Lock	N-143	4
3	1/2"-13 Whiz Flange Nut	N-157	9
4	1/2"-13x3" Eye Bolt	B-234	4
5	Spring	90106	4
6	1/2"-13x3 1/2" Bolt	B-194	1
7	Bottom Pivot	97049	1
8	1/2"-13x1 3/4" HH Bolt	B-139	4
9	60" Rod	98036	1
10	3/4" STD Flat Washer	W-154	3
11	Clips	30213	2
12	3/4"-9x2" Bolt	B-250	1
13	3/4"-10 Nylon Nut	N-158	1
14	1/2"-13x2 1/2" Bolt	B-195	1
15	3" Actuator	90153	1
	Elec. Foot Pedal	97116	1
	Wiring Harness	97119	1
16	1/2" Pin 1 1/2" Long w/Ring & Ball	P-120	2
17	3/16" Drive-In Grease Fitting	F-100	2
18	1/2"-13x3/4" HH Bolt	B-149	1
19	Swivel Plate Weldment	97050	1

DIXIE CHOPPER

Blade Explosion



DIXIE CHOPPER

Ref #	Description	Part #	Quantity
1	50-60" Snow Blade	90102	1
2	3/4" STD Flat Washer	W-154	2
3	50-60" Rod	97084	1
4	1/2"-13x1 3/4" HH Bolt	B-139	2
5	Clip	30213	2