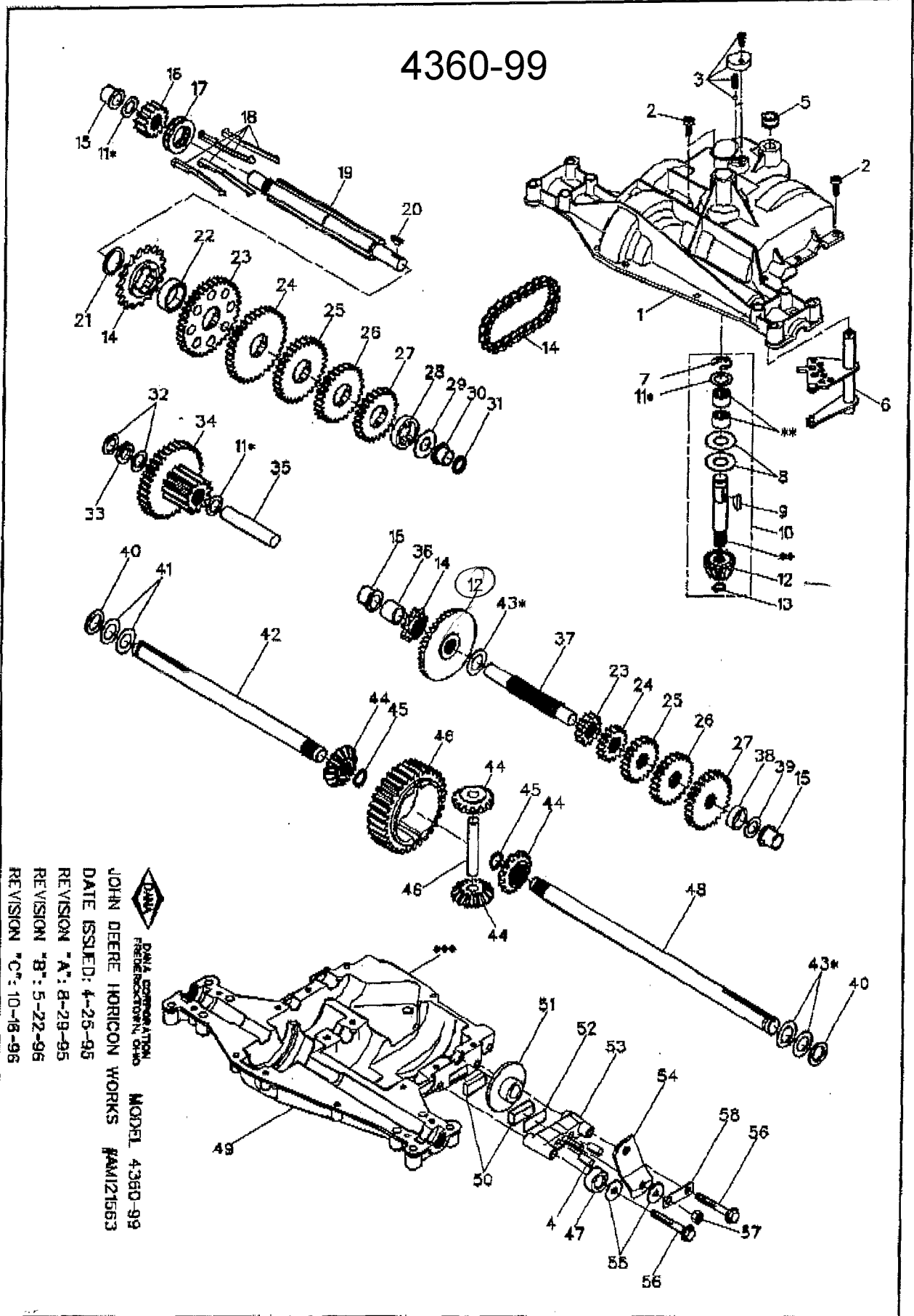



4360-99




DANA CORPORATION
 FRENCHBORO, OHIO
MODEL 4360-99
JOHN DEERE HORICON WORKS #AM121563
 DATE ISSUED: 4-25-95
 REVISION "A": 8-29-95
 REVISION "B": 5-22-96
 REVISION "C": 10-18-96



SPICER OUTDOOR POWER EQUIPMI

DANA CORPOF

FREDERICKTOWN,

SERVICE PARTS REPLACEMENT LISTING

MODEL NO.: 4360-99.

DATE ISSUED: 4/25/1995

REVISION 'A' - 8/29/95

DESCRIPTION: Five Speed Linear Shift Transaxle

REVISION 'B' - 5/22/96

REVISION 'C' - 10/16/96

CUSTOMER NAME & PART NO.: John Deere Horicon Works #AM121563

Key No.	Dana Part No.	John Deere Part No.	No. Req'd.	Description
1	6195		1	Assy, Kit, Upper Housing
2	1919	M120488	16	Screw, Tapping, 1/4-20 X .734
3	6196	AM125198	1	Assy, Kit, Detent
4	3843	M120252	2	Pin, Dowel
5	3789	M132805	1	V-Ring
6	4604	AM119609	1	Assy, Kit, Shifter
7	1106	F2863R	1	Ring, Retaining
8	3876	M120265	2	Washer, Plain, .632 X 1.38 X .046
9	1746	26H14	1	Key, Woodruff, No. 606
10	4858		1	Assy, Kit, Input Shaft
11	4689	AM119603	3*	Assy, Kit, Shim, .625 Shaft
12	4173		1	Assy, Kit, Pinion & Gear
13	3624	M120267	1	Ring, Retaining
14	4829	AM119613	1	Assy, Kit, Chain & Sprockets
15	5510	M125079	3	Bearing, Flange
16	5402		1	Gear, Spur, 14T
17	5303	M120332	1	Collar, Clutch
18	6251		1	Assy, Kit, Clutch Keys
19	5404	M120331	1	Shaft, Intermediate
20	1375	26H74	1	Key, Woodruff, No. 61
21	3627	M120244	1	Ring, Retaining
22	3841	M120251	1	Spacer, 1.131 X 1.45 X .494
23	4830	AM119614	1	Assy, Kit, Gear Set, 37T & 12T
24	4831	AM119615	1	Assy, Kit, Gear Set, 35T & 15T
25	4832	AM119616	1	Assy, Kit, Gear Set, 30T & 20T
26	4833	AM119617	1	Assy, Kit, Gear Set, 27T & 23T
27	6074	AM122536	1	Assy, Kit, Gear Set, 24T & 26T
28	5027	M120323	1	Spacer, 1.133 X 1.50 X .375
29	3628	M120245	1	Washer, Plain, .640 X 1.37 X .061
30	5511	M125080	1	Bearing, Flange
31	5508	M122477	1	Seal, Oil
32	1423	M120274	2	Washer, Plain, .632 X 1.00 X .026
33	3422		1	Spacer, .630 X 1.00 X .169
34	4193		1	Assy, Gear, Comb., 12T & 35T
35	3967	M120261	1	Shaft, Idler
36	3901	M120257	1	Spacer, .633 X .87 X .755

Model No. 4360-99

Page 2

Key No.	Dana Part No.	John Deere Part No.	No. Req'd.	Description
37	3882	M120256	1	Shaft, Drive
38	3714	M120246	1	Spacer, .781 X 1.00 X .375
39	1145	M120271	1	Washer, Plain, .632 X 1.00 X .060
40	5130	M120326	2	Washer, Neoprene
41	3184	M120291	2	Washer, Plain, .758 X 1.25 X .031
42	5528-1	M125081	1	Axle, LH
43	4691	AM119610	2*	Assy, Kit, Shim, .750 Shaft
44	4828		1	Assy, Kit, Gear, Miter
45	5270	M125083	2	Ring, Retaining
46	4394	AM119879	1	Assy, Kit, Gear & Shaft
47	5564	M125155	1	Spacer, .604 X 1.076 X .475
48	5528-2	M125082	1	Axle, RH
49	5304-E	M121091	1	Housing, Lower
50	4836	AM119620	1	Assy, Kit, Puck Friction
51	3276	M83186	1	Disc, Brake
52	3758	M120248	1	Spacer, Brake Puck
53	5554	M125117	1	Jaw, Brake
54	5369	M120335	1	Lever, Actuating
55	3760	M120249	2	Washer, Plain, .321 X 1.00 X .055
56	5562	M125154	2	Screw, Tapping, 5/16-18 X 2.35
57	3847	H23834	1	Nut, Lock, 5/16-24
58	5555	M125118	1	Bracket, Anti-Rotation
59	4300	AM119608	1	Grease

* Use in various combinations to maintain proper clearances.

** Order Key No. 10.

*** Silicone Sealant to be applied between Upper and Lower Housings (use Loctite Ultra Gray Silicone 5699 or equivalent).

REVISION LOG

'A' - 8/29/95

ITEM #18 WAS 4759

ITEM #19 WAS 5403

'B' - 5/22/96

ITEM #5 WAS 5024 Boot, Shifter

'C' - 10/16/96

ITEM #1 WAS 5305-D Housing, Upper

ITEM #3 WAS 4835 Assy, Kit, Detent