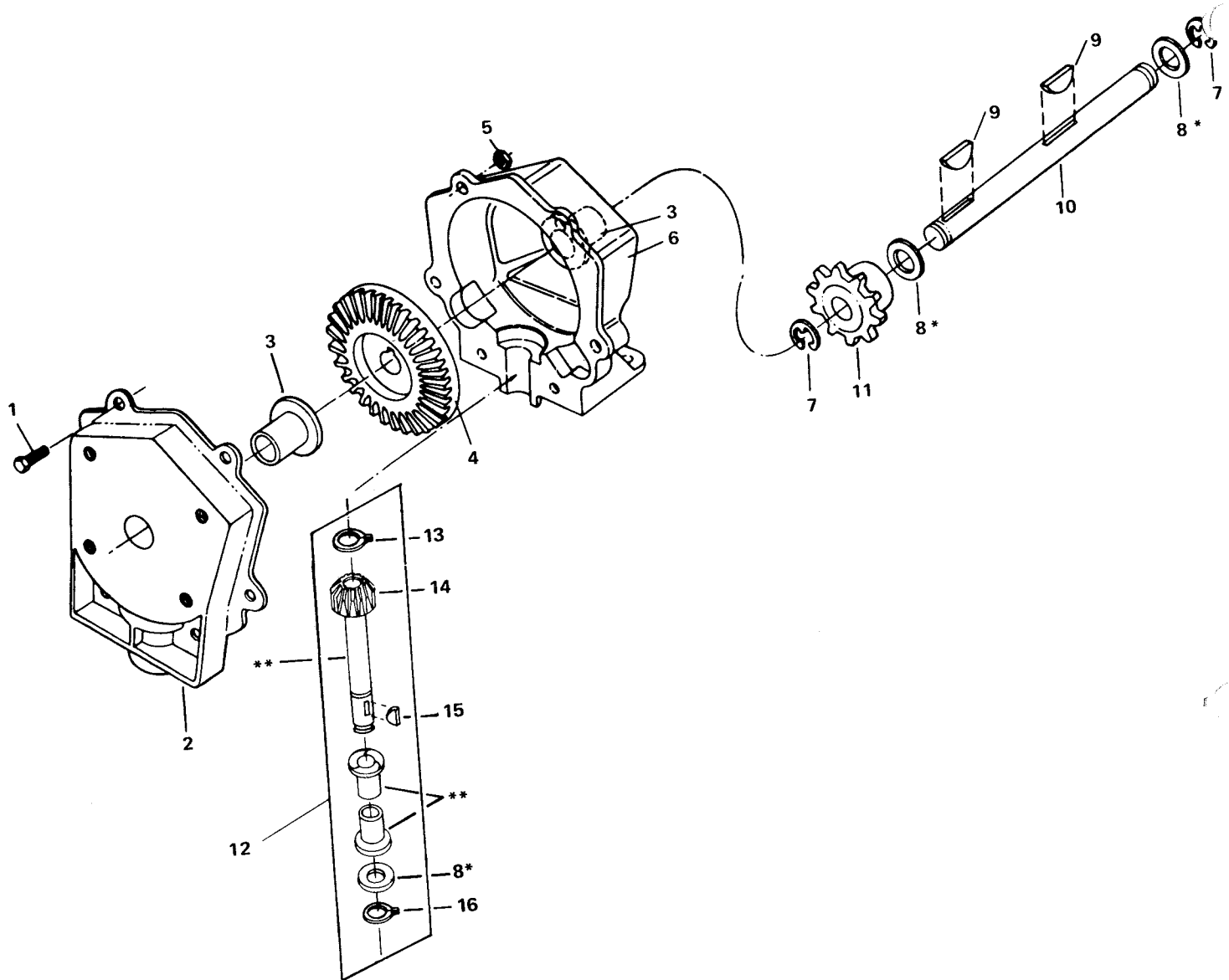


# MODEL 37

GEAR RATIO: 2.62:1



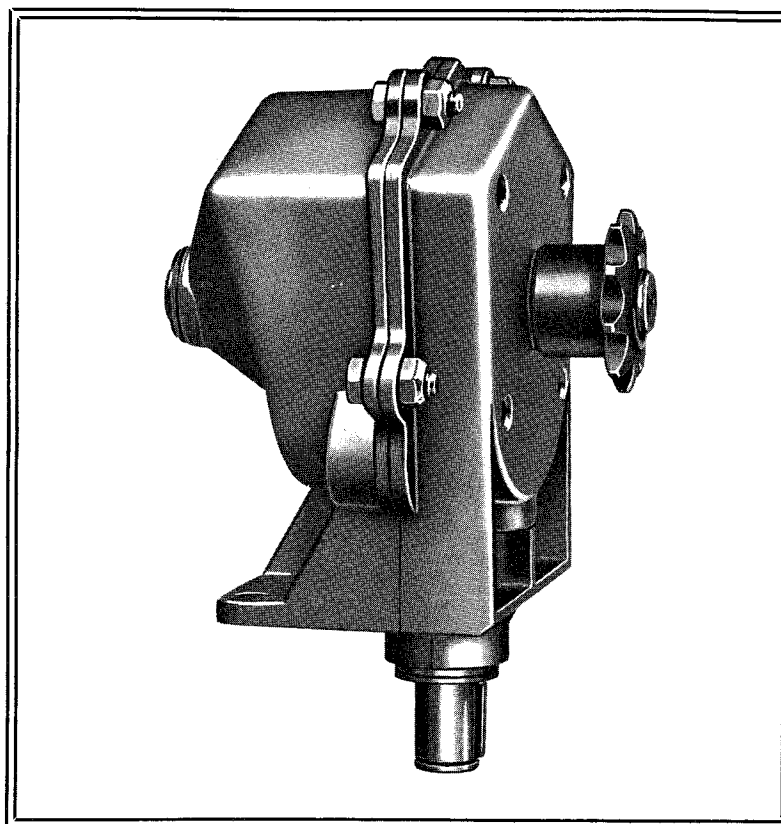
## PARTS LIST

Key No.	Footo Part No.	No. Req'd.	Description	Transmission Models Parts Used On	Key No.	Footo Part No.	No. Req'd.	Description	Transmission Models Parts Used On
1	1379	6	Hx. Hd. Screw (1/4-20 x 5/8)	All models	9	1373	1	No. 9 Woodruff Key	All models
2	2517	1	Housing Assembly	All models	10	1838	1	Output Shaft	Models 37-A, 37-BN, 37-E, 37-F, 37-G, 37-H, 37-J, 37-K, 37-P
3	1143	2	Flange Bearing	All models	10	1931	1	Output Shaft	Models 37-C, 37-L
4	2541	1	42 T. Bevel Gear Kit	Models manufactured prior to February, 1973	10	1932	1	Output Shaft	Model 37-N
4	1085	1	42 T. Bevel Gear	Models manufactured after February 1973	10	1933	1	Output Shaft	Model 37-M
5	1392	6	Lock Nut	All models	11	1250	1	10 T. Sprocket (No. 41)	Models 37-A, 37-BN, 37-G, 37-H
6	2423	1	Housing Assembly	All models	12	2567	1	Input Shaft Kit Assembly	All models
7	1106	2	Retaining Ring	All models	13	1100	1	Retaining Ring	All models
8	1068	*	Washer (.040)	All models	14	1105	1	16 T. Bevel Pinion	All models
8	1082	*	Washer (.030)	All models	15	1374	2	No. 9 Woodruff Key	All models
8	1145	*	Washer (.060)	All models	16	1099	1	Retaining Ring	All models
8	1319	*	Washer (.080)	All models					

Note: \* Use in various combinations to maintain proper clearances.

\*\* Order Key No. 12.

## MODEL 37



FOOTE MODEL NO.	YEARS BUILT	CUSTOMER'S NAME	CUSTOMER'S PART NO.
37-A	75-76	Lambert, Manco-Locke	
37-BN	75-76	Ubler	
37-C	75-76	Somerset Sweeper Co.	780755
37-E	75-76	Jenkins Equipment Co., Inc.	
37-F	75-76	Jenkins Equipment Co., Inc.	
37-G	75-76	Lambert	10558
37-H	75-76	Ubler	10079
37-J	75-76	Jenkins Equipment Co., Inc.	05-0001
37-K	75-76	Jenkins Equipment Co., Inc.	9-1253
37-L	75-76	Somerset Sweeper Co.	780756
37-M	75-76	Somerset Sweeper Co.	780757
37-N	75-76	Somerset Sweeper Co.	780758
37-P	75-77	Ubler	