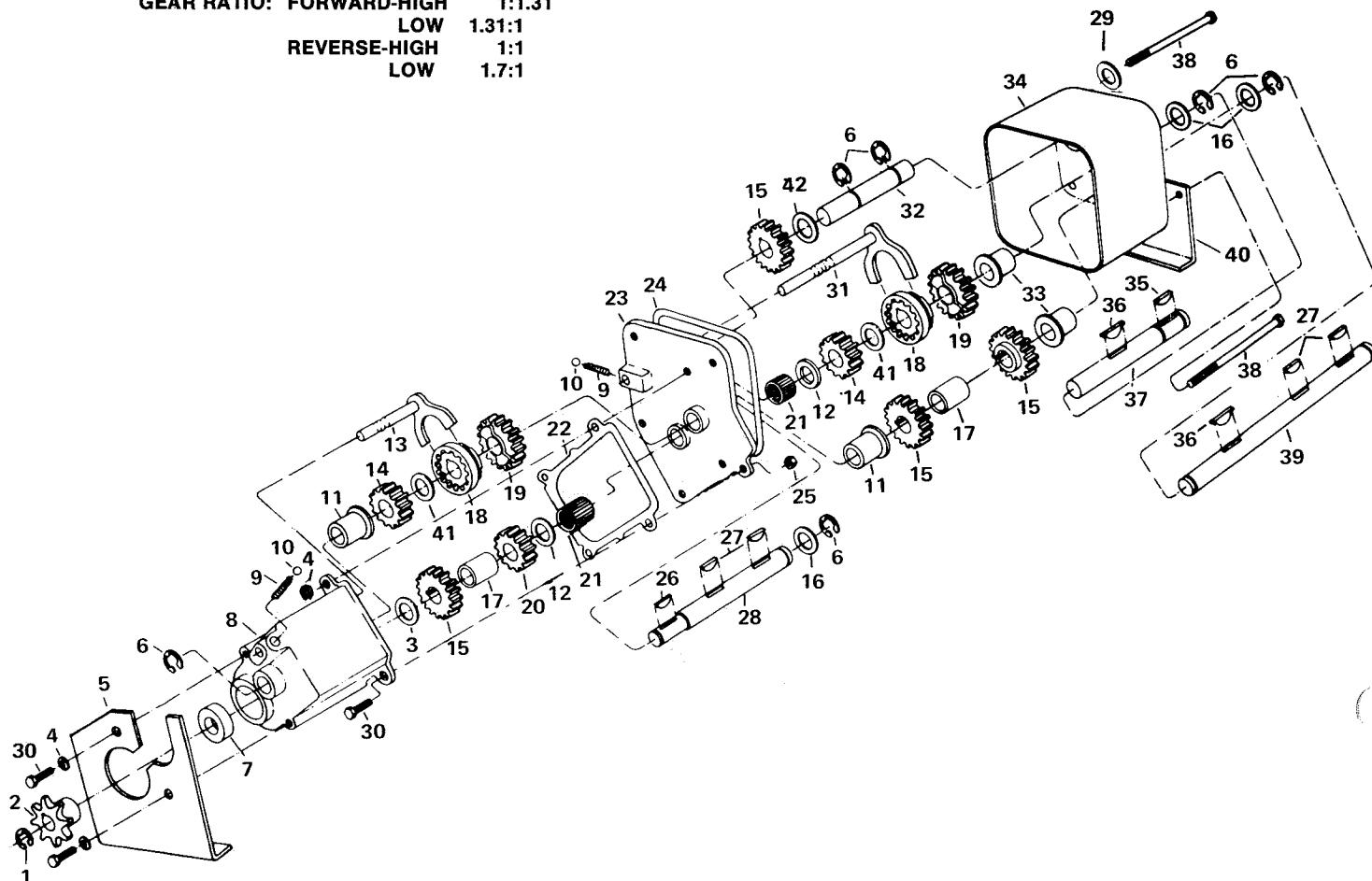


MODEL 36

Parallel Shaft Two Speed

GEAR RATIO: FORWARD-HIGH 1:1.31
 LOW 1.31:1
 REVERSE-HIGH 1:1
 LOW 1.7:1

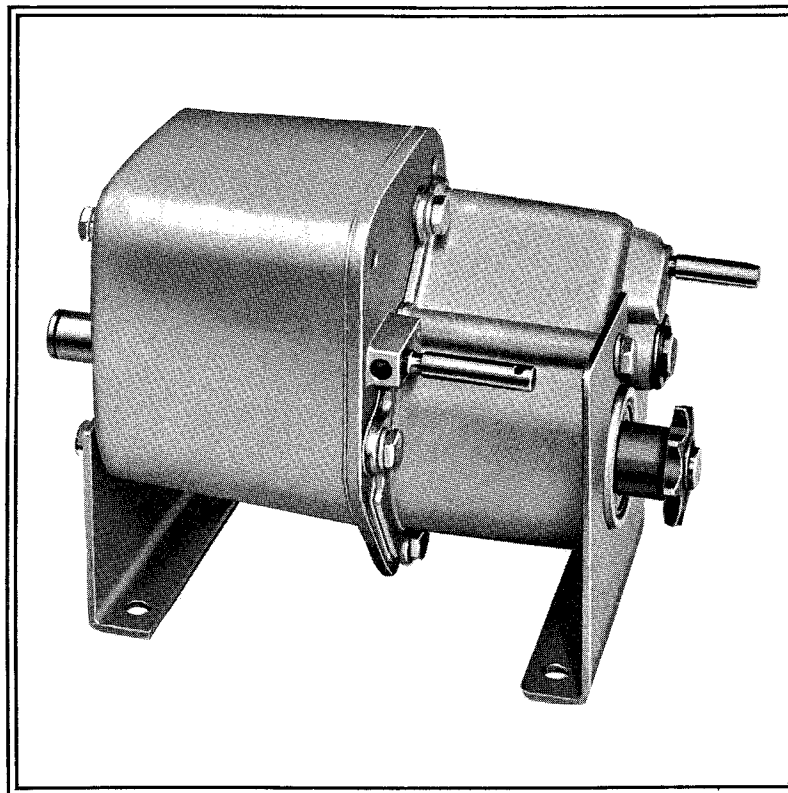


PARTS LIST

Key No.	Footo Part No.	No. Req'd.	Description	Transmission Models Parts Used On	Key No.	Footo Part No.	No. Req'd.	Description	Transmission Models Parts Used On
1	1098	1	Retaining Ring	Models manufactured prior to June, 1974	22	1213	1	Gasket	All models
1	1300	1	Retaining Ring	All models	23	2562	1	Gasket	All models
2	1084	1	8 T. Sprocket (No. 41)	All models	24	1237	1	Intermediate Plate Assembly	All models
3	1708	1	Washer (.015)	All models	25	1392	2	Gasket	All models
4	1389	4	Lock Washer	All models	26	1371	1	Lock Nut	All models
5	1807	1	Mounting Bracket	All models	27	1464	4	No. 4 Woodruff Key	All models
6	1106	6	Retaining Ring	All models	28	1180	1	No. 5 Woodruff Key	All models
7	1191	1	Ball Bearing	All models	29	1317	2	Output Shaft	All models
8	2560	1	Housing Assembly	All models				Washer, .562 x .281 x .134	All models
9	1150	2	Detent Spring	All models	30	1379	6	Hx. Hd. Bolt (1/4-20 x 5/8)	All models
10	1151	2	Detent Ball	All models	31	2093	1	Detent Shaft Assembly	Model 36-C
11	1192	2	Flange Bearing	All models	31	2154	1	Detent Shaft Assembly	Models 36-D, 36-E
12	1103	2	Thrust Washer	All models	32	1246	1	Idler Shaft	All models
13	2094	1	Detent Shaft Assembly	Models 36-D, 36-E	33	1144	2	Flange Bearing	All models
13	2155	1	Detent Shaft Assembly	Model 36-C	34	2546	1	Housing Assembly	All models
14	3280	2	13 T. Spur Gear	All models	35	1373	1	No. 9 Woodruff Key	Model 36-C
15	1118	4	17 T. Spur Gear	All models	35	1374	1	No. 9 Woodruff Key	Models 36-D, 36-E
16	1068	*	Washer (.040)	All models	36	1212	2	Special Hi-Pro Key	All models
16	1082	*	Washer (.030)	All models	37	1244	1	Idler Shaft	All models
16	1145	*	Washer (.060)	All models	38	1384	4	Hx. Hd. Bolt (1/4-20 x 3/4)	All models
17	1081	2	Spacer	All models	39	1245	1	Intermediate Shaft	All models
18	1176	2	Clutch Collar	All models	40	1241	1	Mounting Bracket	Models 36-D, 36-E
19	1175	2	17 T. Spur Gear	All models	40	1242	1	Mounting Bracket	Model 36-C
20	1174	1	13 T. Spur Gear (Steel)	All models	41	1082	2	Washer (.030)	All models
21	1161	2	Needle Bearing	All models	42	1145	1	Washer (.060)	All models

Note: * Use in various combinations to maintain proper clearances.

MODEL 36



FOOTE MODEL NO.	YEARS BUILT	CUSTOMER'S NAME	CUSTOMER'S PART NO.
36-A	75-78	Moto-Mower	
36-B	75-78	Moto-Mower	
36-C	75-78	Tusco, Weaver Line	202-669
36-D	75-78	Moto-Mower	1040178
36-E	75-78	Moto-Mower	1039932