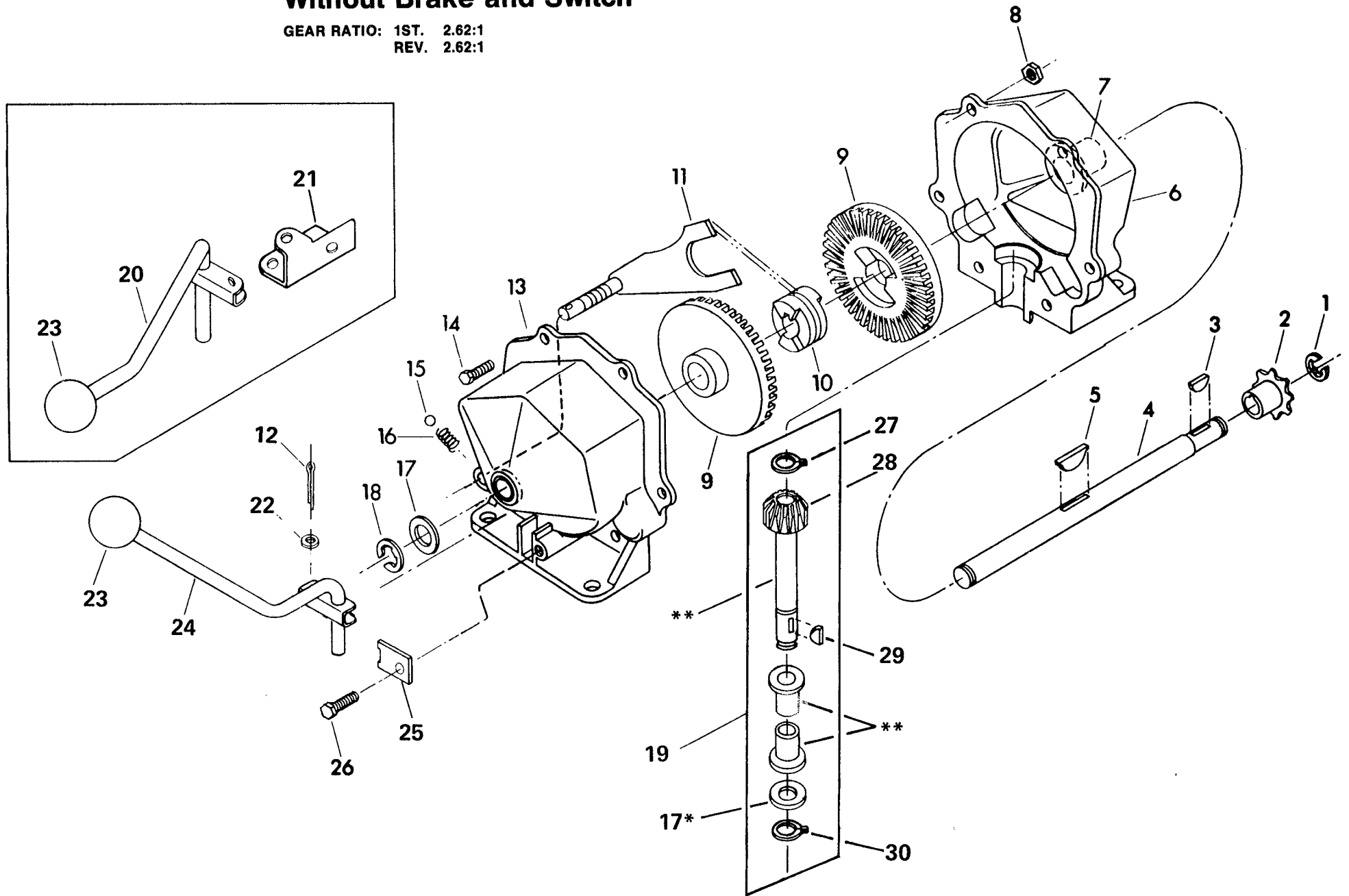


MODELS 35 and 3500

Without Brake and Switch

GEAR RATIO: 1ST. 2.62:1
REV. 2.62:1



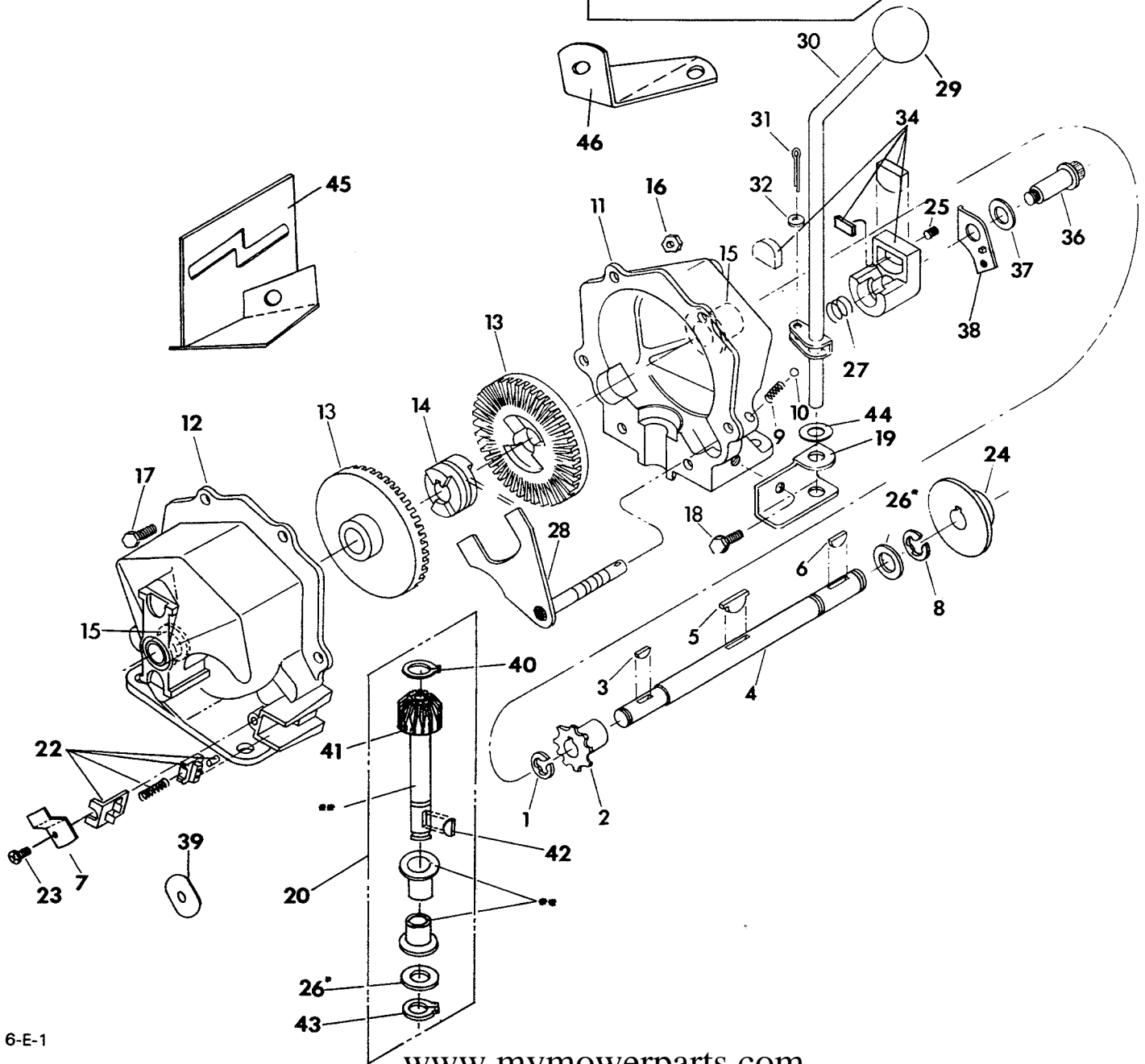
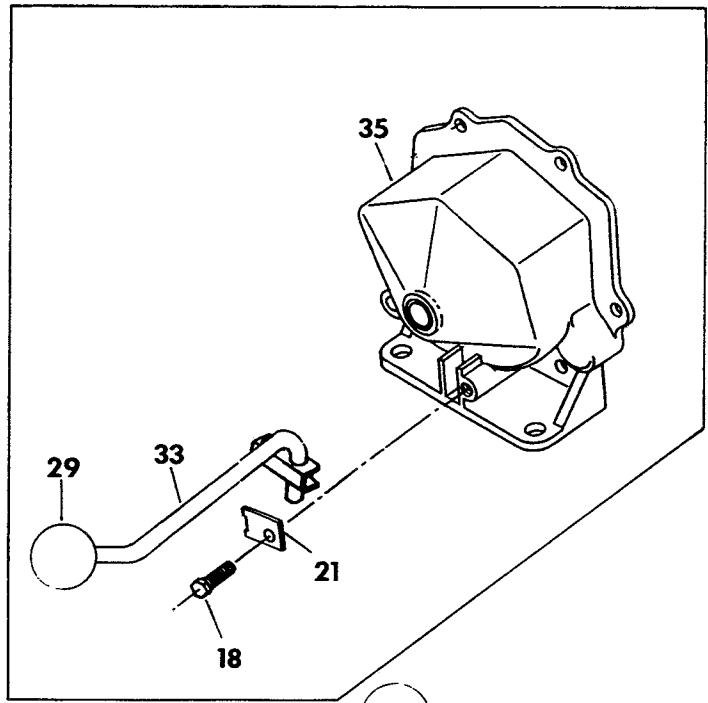
KEY NO.	J.B. FOOTE PART NO.	NO. REQ'D	DESCRIPTION	TRANSMISSION MODELS PARTS USED ON	KEY NO.	J.B. FOOTE PART NO.	NO. REQ'D	DESCRIPTION	TRANSMISSION MODELS PARTS USED ON
1	1098	1	Retaining Ring	Models manufactured prior to July, 1973	20	2788	1	Shift Lever Assembly	Model 35-47
1	1300	1	Retaining Ring	All models	20	4141	1	Shift Lever Assembly	Model 35-57
2	1084	1	8 T. Sprocket (No. 41)	All models except 35-7, 35-47, 35-51, 3500-2, 3500-6	20	4321	1	Shift Lever Assembly	Model 35-60
2	1089	1	7 T. Sprocket	Model 35-51, 3500-6	21	1427	1	Shift Lever Bracket	Model 35-10
2	1129	1	8 T. Sprocket	Models 35-7, 3500-2	21	1448	1	Shift Lever Bracket	Models 35-6, 35-7, 35-9, 35-26
3	1371	1	#4 Woodruff Key	All models	21	1489	1	Shift Lever Bracket	Models 35-37, 35-47, 35-50, 35-51, 35-52, 35-57, 35-60, 3500-1, 3500-5, 3500-6, 3500-8
4	1139	1	Output Shaft	All models except 35-9, 35-26	21	1489	1	Shift Lever Bracket	Models 35-37, 35-47, 35-50, 35-51, 35-52, 35-57, 35-60, 3500-1, 3500-5, 3500-6, 3500-8
4	1440	1	Output Shaft	Models 35-9, 35-26					
5	3069	1	Special Hi-Pro Key	All models					
6	2423	1	Housing Assembly	All models					
7	1143	2	Flange Bearing	All models	22	1387	1	No. 4 Plain Washer	All models except 35-20, 3500-6
8	1392	6	Lock Nut	All models					
9	1543	2	42 T. Bevel Gear	All models	23	1155	1	Shift Knob	Model 3500-8, all 35 models except 35-20, 35-37, 35-43, 35-47, 35-50, 35-57, 35-60
10	1083	1	Clutch Collar	All models					
11	2497	1	Detent Shaft Assembly	All models except 35-9, 35-26, 35-34	23	1318	1	Shift Knob	Models 35-37, 35-47, 35-50, 35-57, 35-60, 3500-2
11	2499	1	Detent Shaft Assembly	Models 35-9, 35-26					
11	2504	1	Detent Shaft Assembly	Model 35-34	24	2254	1	Shift Lever Assembly	Model 35-8
12	1390	1	Cotter Pin	All models except 35-20, 3500-6	24	2256	1	Shift Lever Assembly	Model 35-3
13	2523	1	Housing Assembly	All models	24	2261	1	Shift Lever Assembly	Models 35-1, 35-31
14	1379	6	Hx. Hd. Bolt (1/4-20x5/8)	All models	24	2266	1	Shift Lever Assembly	Model 35-4
15	1151	1	Detent Ball	All models	24	2306	1	Shift Lever Assembly	Model 35-35
16	1783	1	Detent Spring	All models	24	2306	1	Shift Lever Assembly	Model 35-35
17	1068	*	Washer (.040)	All models except 3500-2	25	1496	1	Shift Lever Retainer	Models 35-1, 35-3, 35-4, 35-8, 35-31, 35-33, 35-35, 35-43, 35-54
17	1082	*	Washer (.030)	All models except 3500-2					
17	1145	*	Washer (.060)	All models except 3500-2	26	1493	1	Hx. Washer Hd. Bolt (1/4-20x5/8)	All models except 35-20
17	1319	*	Washer (.080)	All models except 3500-2	27	1100	1	Retaining Ring	All models
17	1358	*	Washer (.050)	All models except 3500-2	28	1105	1	16 T. Bevel Pinion	All models
17	1423	*	Washer (.025)	All models except 3500-2	29	1374	1	#9 Woodruff Key	All models
17	1441	*	Washer (.020)	All models except 3500-2	30	1099	1	Retaining Ring	All models
17	1708	*	Washer (.015)	All models except 3500-2	31	4300	1	Grease	All models
18	1106	1	Retaining Ring	All models					
19	2567	1	Input Shaft Kit Ass'y.	All models except 3500-2					
19	2571	1	Input Shaft Kit Ass'y.	Model 3500-2					
20	2231	1	Shift Lever Assembly	Model 35-10					
20	2023	1	Shift Lever Assembly	Model 35-54					
20	2963	1	Shift Lever Assembly	Model 35-50					
20	2255	1	Shift Lever Assembly	Model 35-6					
20	2257	1	Shift Lever Assembly	Model 35-33					
20	2258	1	Shift Lever Assembly	Model 35-7					
20	2265	1	Shift Lever Assembly	Models 35-9, 35-26					
20	2320	1	Shift Lever Assembly	Model 3500-2					
20	2531	1	Shift Lever Assembly	Model 35-37					
20	2540	1	Shift Lever Assembly	Model 3500-1					
20	2768	1	Shift Lever Assembly	Model 35-52, 3500-8					

Note: *Use in various combinations to maintain proper clearances.
**Order Key No. 19

MODELS 35 and 3500

With Brake and Switch

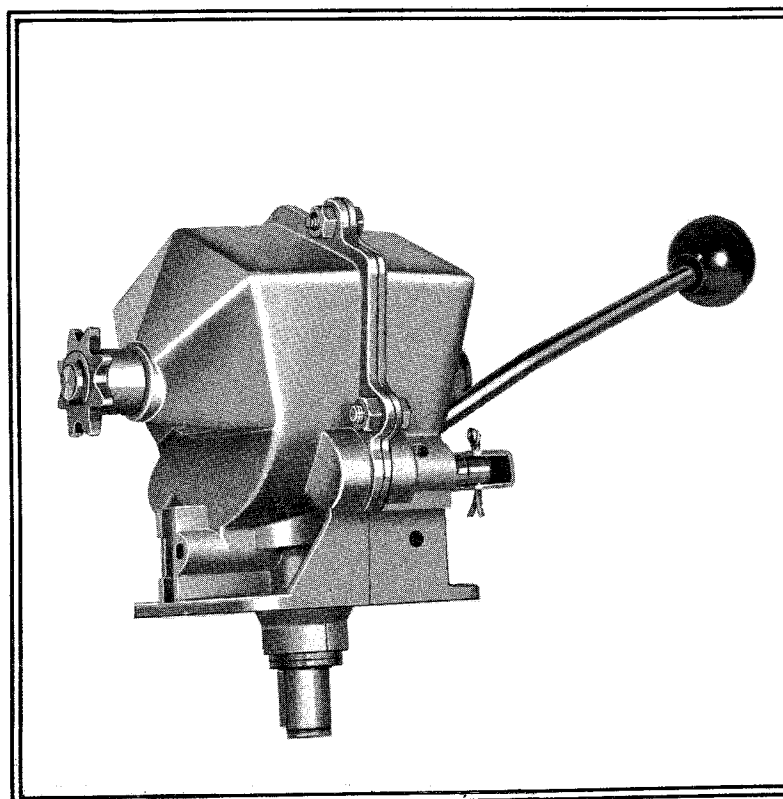
GEAR RATIO: 1ST. 2.62:1
REV. 2.62:1



KEY NO.	J.B. FOOTE PART NO.	NO. REQ'D	DESCRIPTION	TRANSMISSION MODELS PARTS USED ON	KEY NO.	J.B. FOOTE PART NO.	NO. REQ'D	DESCRIPTION	TRANSMISSION MODELS PARTS USED ON
1	1106	1	Retaining Ring	Model 35-53, 3500-3	25	1606	1	Set Screw, No. 8-32	Models 35-25, 35-27, 35-28, 35-29, 35-30, 35-39, 35-40, 35-46, 35-55, 35-58, 35-59, 3500-7
1	1300	1	Retaining Ring	All models except 35-53, 3500-3	26	1068	*	Washer (.040)	All models
2	1084	1	8 T. Sprocket (No. 41)	Models 35-20, 35-30, 35-41, 35-42, 35-44, 35-46, 35-48, 35-49, 35-55, 35-58, 35-59, 3500-5, 3500-7	26	1082	*	Washer (.030)	All models
2	1089	1	7 T. Sprocket (No. 41)	Models 35-25, 35-27, 35-39, 35-45, 35-47, 35-56	26	1145	*	Washer (.060)	All models
2	1129	1	8 T. Sprocket (No. 41)	Models 35-22, 35-24, 35-29, 35-40	26	1319	*	Washer (.080)	All models
3	1371	1	#4 Woodruff Key	All models except 35-53, 3500-3	26	1358	*	Washer (.050)	All models
3	1374	1	#9 Woodruff Key	Models 35-53, 3500-3	26	1423	*	Washer (.025)	All models
4	1139	1	Output Shaft	Model 35-41, 35-42	26	1441	*	Washer (.020)	All models
4	1684	1	Output Shaft	All models except 35-41, 35-42, 35-53, 3500-3	26	1708	*	Washer (.015)	All models
4	1763	1	Output Shaft	Model 35-53, 3500-3	27	1479	1	Compression Spring	All models except 35-41, 35-42
5	3069	1	Special Hi-Pro Key	All models	28	2497	1	Detent Shaft Assembly	All models except 35-46
6	1375	1	#61 Woodruff Key	All models except 35-41, 35-42	28	2499	1	Detent Shaft Assembly	Model 35-46
7	1671	1	Control Module Retainer	Models 35-22, 35-24, 35-25	29	1155	1	Shift Knob	Models 35-22, 35-24, 35-28, 35-29, 35-30, 35-40, 35-52
8	1106	1	Retaining Ring	All models	29	1318	1	Shift Knob	Models 35-25, 35-27, 35-39, 35-45, 35-46, 35-49, 35-55, 35-59, 3500-7
9	1783	1	Detent Spring	All models	30	2258	1	Shift Lever Ass'y.	Models 35-22, 35-24, 35-29, 35-40
10	1151	1	Detent Ball	All models	30	2386	1	Shift Lever Ass'y.	Models 35-25, 35-27, 35-39
11	2524	1	Housing Assembly	Model 35-25	30	2531	1	Shift Lever Ass'y.	Model 35-49
11	2525	1	Housing Assembly	Models 35-22, 35-24	30	2539	1	Shift Lever Ass'y.	Model 3500-5
11	2563	1	Housing Assembly	Models 35-27, 35-39, 35-44, 35-45, 35-46, 35-53, 3500-3, 3500-5, 3500-7	30	2540	1	Shift Lever Ass'y.	Models 35-45, 3700-7
11	2564	1	Housing Assembly	Models 35-29, 35-40	30	2690	1	Shift Lever Ass'y.	Models 35-41, 35-42, 35-48
11	2565	1	Housing Assembly	Models 35-41, 35-42	30	2701	1	Shift Lever Ass'y.	Model 35-44
11	2507	1	Housing Assembly	Models 35-28, 35-30, 35-48	30	2750	1	Shift Lever Ass'y.	Model 35-46
11	2843	1	Housing Assembly	Models 35-49, 35-55, 35-56, 35-58, 35-59	30	2963	1	Shift Lever Ass'y.	Model 35-55
12	2423	1	Housing Assembly	Models 35-45, 35-53, 3500-3	30	4234	1	Shift Lever Ass'y.	Model 35-58
12	2454	1	Housing Assembly	Models 35-22, 35-24, 35-25, 35-27, 35-29, 35-39, 35-40, 35-41, 35-42, 35-44, 35-46, 3500-5, 3500-7	30	4252	1	Shift Lever Ass'y.	Model 35-59
13	1543	2	42 T. Bevel Gear	All models	31	1390	1	Cotter Pin	All models except 35-46
14	1083	1	Clutch Collar	All models	31	2862	1	Cotter Pin Kit Assembly	Model 35-46
15	1143	2	Flange Bearing	All models	32	1387	1	No. 4 Plain Washer	All models
16	1392	6	Lock Nut	All models	33	2486	1	Shift Lever Ass'y.	Model 35-28
17	1379	6	Hx. Hd. Bolt (1/4-20x5/8)	All models except 35-48	33	2486	1	Shift Lever Ass'y.	Model 35-30
17	1379	4	Hx. Hd. Bolt (1/4-20x5/8)	Model 35-48	34	2480	1	Brake Kit Ass'y.	All models except 35-41, 35-42
17	1380	1	Hx. Hd. Bolt (1/4-20x3/4)	Model 35-48	35	2565	1	Housing Assembly	Models 35-28, 35-30, 35-48, 35-49, 35-55, 35-56, 35-58, 35-59
18	1493	1	Hx. Washer Hd. Bolt (1/4-20x5/8)	All models	36	1477	1	Shoulder Bolt	All models except 35-41, 35-42
19	1448	1	Shift Lever Bracket	Models 35-22, 35-24, 35-29, 35-40	37	1546	2	Washer (.006)	All models except 35-41, 35-42, 35-46, 35-49
19	1489	1	Shift Lever Bracket	Models 35-25, 35-27, 35-39, 35-41, 35-42, 35-44, 35-45, 35-48, 35-49, 35-53, 35-55, 35-56, 35-58, 35-59, 3500-3, 3500-5, 3500-7	38	2243	1	Actuating Lever Ass'y.	Models 35-25, 35-27, 35-39, 35-59
19	2747	1	Shift Lever Bracket Ass'y.	Model 35-46	38	2246	1	Actuating Lever Ass'y.	Model 3500-7
20	2567	1	Input Shaft Kit Ass'y.	Models 35-28, 35-30, 35-39, 35-40, 35-41, 35-42, 35-44, 35-45, 35-46, 35-48, 35-49, 35-53, 35-55, 35-58, 35-59, 3500-3, 3500-5, 3500-7	38	2272	1	Actuating Lever Ass'y.	Model 35-49
20	2572	1	Input Shaft Kit Ass'y.	Models 35-22, 35-24, 35-29	38	2315	1	Actuating Lever Ass'y.	Model 35-58
20	2573	1	Input Shaft Kit Ass'y.	Models 35-25, 35-27	38	2339	1	Actuating Lever Ass'y.	Models 35-45, 35-53, 35-56, 3500-3
21	1496	1	Shift Lever Retainer	Models 35-28, 35-30	38	2350	1	Actuating Lever Ass'y.	Model 35-55, 3500-5
22	2510	1	Switch Kit Assembly	All models except 35-45, 35-49, 35-53, 35-55, 35-56, 3500-3	38	2407	1	Actuating Lever Ass'y.	Models 35-22, 35-24, 35-29, 35-40
23	1730	1	Screw No. 8-32	All models except 35-45, 35-49, 35-53, 35-55, 35-56, 3500-3	38	2474	1	Actuating Lever Ass'y.	Model 35-28
24	1675	1	Brake Disc	Models 35-22, 35-24, 35-29, 35-40	38	2617	1	Park Lever Assembly	Model 35-30
24	3276	1	Brake Disc	Models 35-25, 35-27, 35-28, 35-30, 35-39, 35-44, 35-45, 35-46, 35-48, 35-49, 35-53, 35-55, 35-56, 35-58, 35-59, 3500-3, 3500-5, 3500-7	38	2699	1	Actuating Lever Ass'y.	Model 35-44
					38	2746	1	Actuating Lever Ass'y.	Model 35-46
					38	2803	1	Actuating Lever Ass'y.	Model 35-48
					39	1674	1	Terminal Board Retainer	Models 35-27, 35-28, 35-30, 35-39, 35-40, 35-41, 35-42, 35-44, 35-46, 35-48, 3500-5, 3500-7
					40	1100	1	Retaining Ring	All models
					41	1105	1	16 T. Bevel Pinion	All models
					42	1374	1	#9 Woodruff Key	All models except 35-22, 35-24, 35-29
					42	1422	1	#6 Woodruff Key	Models 35-22, 35-24, 35-29
					43	1099	1	Retaining Ring	All models
					44	1599	2	Washer (.030)	Model 35-46
					45	2760	1	'Z' Bracket Ass'y.	Model 35-46
					46	3394	1	Shift Lever Bracket	Model 35-48
					47	4300	1	Grease	All models

NOTE: *Use in various combinations to maintain proper clearances.
 **Order Key No. 20.

MODELS 35 and 3500



FOOTE MODEL NO.	YEARS BUILT	CUSTOMER'S NAME	CUSTOMER'S PART NO.
35-1	69-72	Mowett Manufacturing & Sales Co Inc	35-1
35-1	69-73	Sturdevant Manufacturing Corp. (Rover)	
35-3	69-70	Falls Products, Inc.	35-3
35-4	69-71	Gilson Brothers Co.	10863
35-6	69-72	Falls Products, Inc.	35-6
35-7	69-71	Yard-Man, Inc.	3115-035
35-8	69-72	Gilson Brothers Co.	13519
35-9	69-72	Gilson Brothers Co.	16053
35-10	69-71	Murray-Ohio Manufacturing Co.	21711
35-20	69-72	Sturdevant Manufacturing Corp. (Sabo)	
35-22	72-	Yard-Man, Inc.	3115-51
35-24	72-	Yard-Man, Inc.	3115-52
35-25	72-	Toro Co.	17-1720
35-26	72-73	Gilson Brothers Co.	16053
35-27	72-74	Toro Co.	19-1810
35-28	72-74	Falls Products, Inc.	

FOOTE MODEL NO.	YEARS BUILT	CUSTOMER'S NAME	CUSTOMER'S PART NO.
35-29	72-74	Yard-Man, Inc.	3115-69
35-30	72-73	Murray-Ohio Manufacturing Co.	21346
35-31	72-74	Sturdevant Manufacturing Corp. (Rover)	35-31
35-32	72-74	Sturdevant Manufacturing Corp (Wolseley)	35-32
35-33	72-74	Sturdevant Manufacturing Corp (Verken)	35-33
35-34	72-74	H. L. Diehl	35-34
35-35	72-74	Billy Goat Ind.	800252
35-37	72-74	Mowett Manufacturing & Sales Co Inc	35-37
35-39	74-75	Toro Co.	22-5840
35-40	74-75	Yard-Man, Inc.	4115-88
35-41	76-77	AMF Lawn & Garden	46721
35-42	75-76	AMF Lawn & Garden	46936
35-43	75-77	Vann Industries	35-43
35-44	76-77	General Power Equipment	30620
35-45	77-78	Root Manufacturing	35-45
35-46	77-78	Murray-Ohio Manufacturing Co.	23478
35-47	77-	Kollman	278-062-241-10
35-48	78-84	AMF Lawn & Garden	49737
35-49	78-	Sturdevant Manufacturing Corp. (Greenfield Products)	
35-50	79-	Mowett	
35-51	81-	Phoenix Aviation, Inc.	
35-52	82-	Gettleman Mfg.	
35-53	82-	Nu-Star Mfg. Co.	
35-54	82-	Atwater Strong	
35-55	83-84	Tomahawk Mfg. Co.	
35-56	83-	Phoenix Aviation Inc.	
35-57	84-	Crew Cut Co.	
35-58	85-	Greenfield Products	
35-59	86-	Gutbrod-Werke GMBH	
35-60	87-	Lasco, Inc.	
3500-1		Standard	
3500-2	71-73	Modern Tool & Die	717-231
3500-3	72-74	Nu-Star Mfg. Corp.	301-014
3500-5	72-73	Jacobsen Manufacturing Co.	
3500-6	76-77	Phoenix Manufacturing	3500-6
3500-7	75-76	Power Hoe	
3500-8	77-	Gettleman Manufacturing	28013