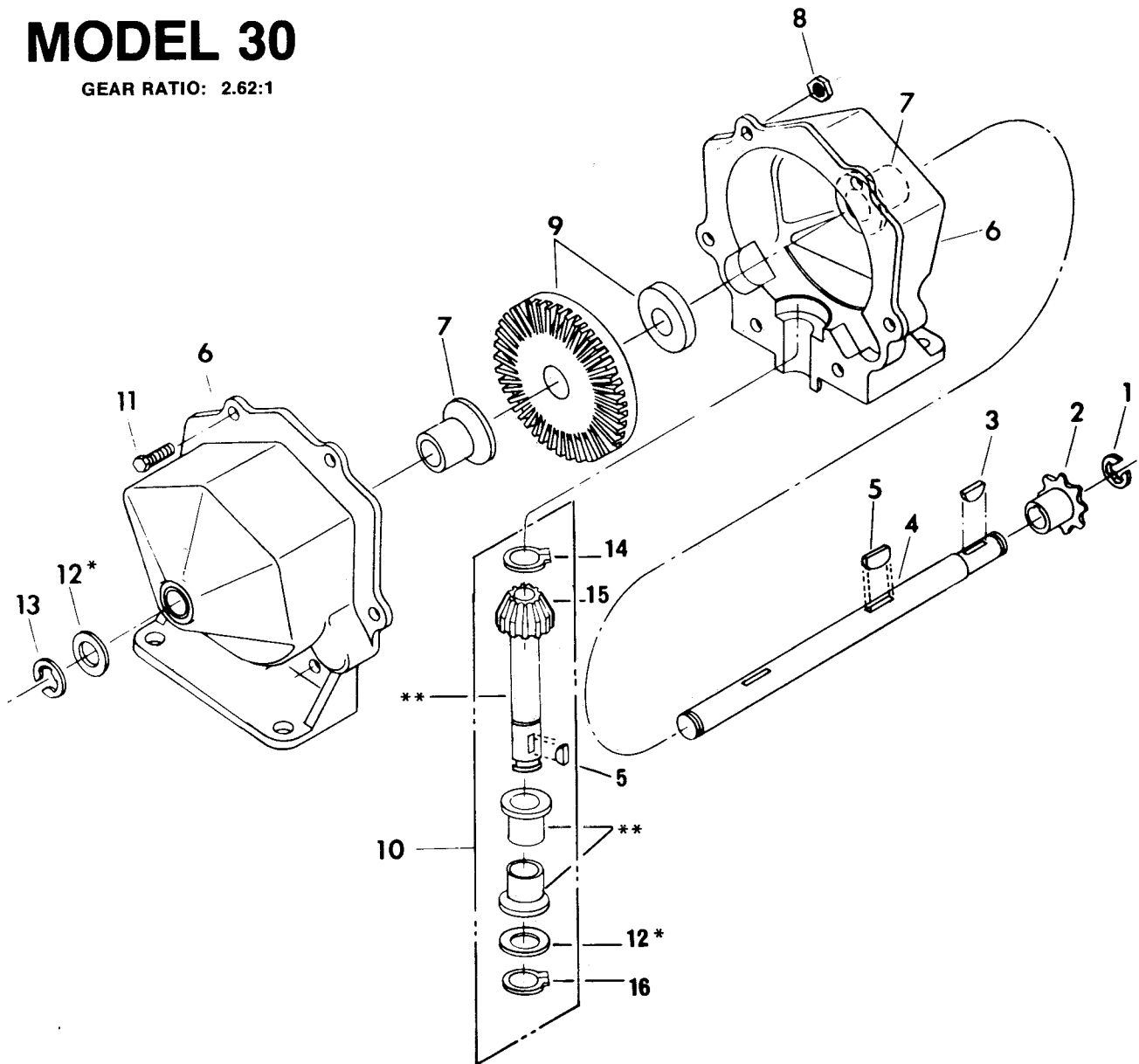


MODEL 30

GEAR RATIO: 2.62:1

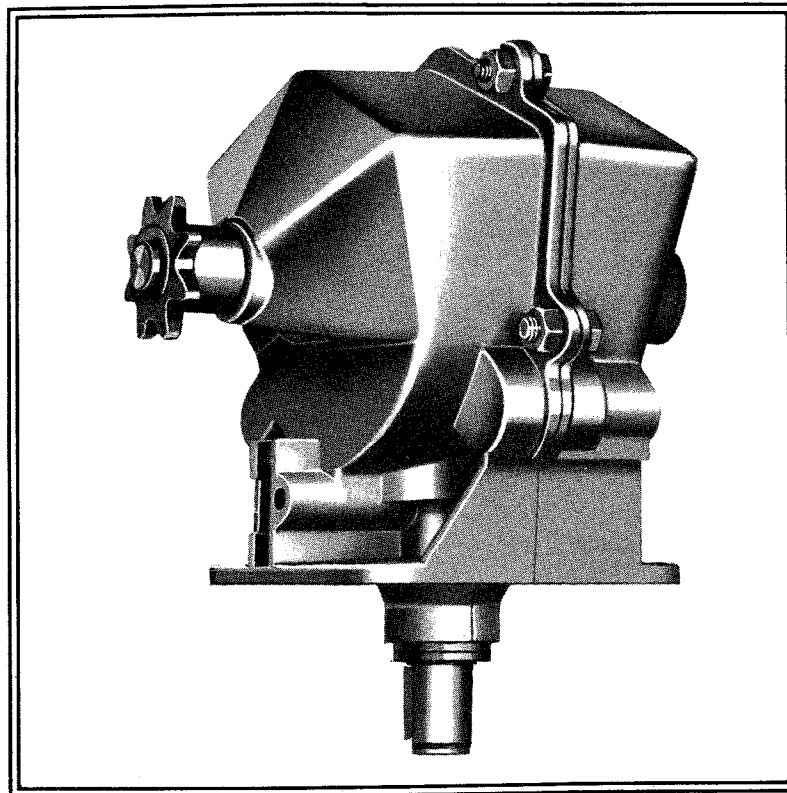


PARTS LIST

KEY NO.	J.B. FOOTE PART NO.	NO. REQ'D.	DESCRIPTION	TRANSMISSION MODELS PARTS USED ON
1	1098	1	Retaining Ring	Models manufactured prior to May, 1974
1	1300	1	Retaining Ring	All models
2	1084	1	8 T. Sprocket (No. 41)	Models 30-5, 30-6
2	1465	1	Pulley	Model 30-7
3	1371	1	No. 4 Woodruff Key	All models
4	1843	1	Output Shaft	All models
5	1374	1	No. 9 Woodruff Key	All models
6	2423	1	Housing Assembly	All models
7	1101	2	Flange Bearing	All models
8	1392	6	Lock Nut	All models
9	1085	1	42 T. Bevel Gear	Models manufactured after February, 1973
9	2541	1	42 T. Bevel Gear Kit Assembly	Models manufactured prior to February, 1973
10	2567	1	Input Shaft Kit Assembly	All models
11	1379	6	Hx. Hd. Bolt (1/4-20 x 5/8)	All models
12	1068	*	Washer (.040)	All models
12	1082	*	Washer (.031)	All models
12	1145	*	Washer (.060)	All models
12	1319	*	Washer (.080)	All models
13	1106	1	Retaining Ring	All models
14	1100	1	Retaining Ring	All models
15	1105	1	16 T. Bevel Pinion	All models
16	1099	1	Retaining Ring	All models

Note: * Use in various combinations to maintain proper clearances.
 ** Order Key No. 10.

MODEL 30



FOOTE MODEL NO.	YEARS BUILT	CUSTOMER'S NAME	CUSTOMER'S PART NO.
30-1	74-76	P & E Machinery	
30-2	74-76	Advance	
30-3	74-76	J. B. Foote Mixer	
30-4	74-76	Cushman Motors	
30-5	75-76	P & E Machinery	
30-6	75-76	Advance	344 001
30-7	75-76	J. B. Foote Mixer	
30-8	75-76	Cushman Motors	822491