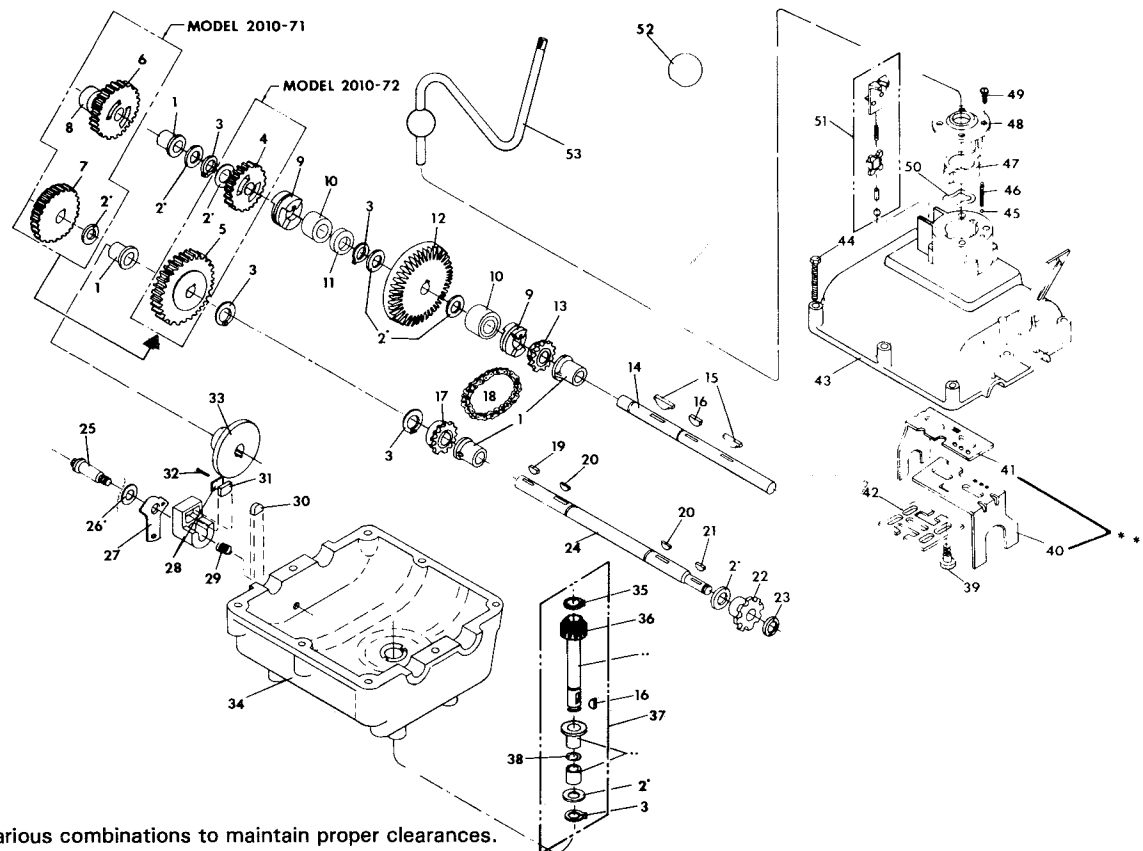


# MODELS 2010-71 and 2010-72

## Single Speed Transmission in Three Speed Box

GEAR RATIO: MODEL 2010-71	FORWARD	2.62:1
	REVERSE	2.62:1
MODEL 2010-72	FORWARD	3.93:1
	REVERSE	2.62:1



Note: \*Use in various combinations to maintain proper clearances.

\*\*Order Key No. 17.

\*\*\*In servicing all 2010 series transmissions manufactured after September, 1968 care must be taken to reassemble the shifter forks correctly. There must be a left hand and a right hand shifter fork for all units and they must be installed so as to have the three detent holes in the shifter fork in a position relative to the detent hole in the upper housing.

### PARTS LIST

Key No.	Footo Part No.	No. Req'd.	Description	Transmission Models Parts Used On	Key No.	Footo Part No.	No. Req'd.	Description	Transmission Models Parts Used On
1	1101	4	Flange Bearing	All models	25	1477	1	Shoulder Bolt	All models
2	1068	*	Washer (.040)	All models	26	1546	*	Washer (.006)	All models
2	1082	*	Washer (.031)	All models	27	2757	1	L.H. Actuating Lever Assembly	All models
2	1145	*	Washer (.060)	All models	28	2618	1	Brake Jaw Assembly	All models
2	1358	*	Washer (.050)	All models	29	1479	1	Compression Spring	All models
2	1423	*	Washer (.025)	All models	30	3294	1	Friction Puck	All models
2	1424	*	Washer (.035)	All models	31	3295	1	Friction Puck	All models
2	1425	*	Washer (.045)	All models	32	1606	1	Set Screw (No. 8-32 x 5/16)	All models
2	1441	*	Washer (.020)	All models	33	3276	1	Brake Disc	All models
3	1099	5	Retaining Ring	All models	34	1064-N	1	Lower Housing	All models
4	1071	1	20 T. Spur Gear	Model 2010-72	35	1100	1	Retaining Ring	All models
5	3153	1	30 T. Spur Gear	Model 2010-72	36	1105	1	16 T. Bevel Pinion	All models
6	3141	1	25 T. Spur Gear	Model 2010-71	37	2567	1	Input Shaft Kit Assembly	All models
7	3147	1	25 T. Spur Gear	Model 2010-71	38	1926	1	O-Ring	All models
8	3215	1	Spacer, .203	Model 2010-71	39	1073	4	Shoulder Screw	All models
9	1083	2	Clutch Collar	All models	40	1070	1	Shifter Fork (L.H.)	All models
10	3339	2	Spacer, .644	All models	41	1657	1	Shifter Fork (R.H.)	All models
11	3309	1	Spacer, .110	All models	42	1074	1	Lock-Out Plate	All models
12	1085	1	42 T. Bevel Gear	All models	43	2390	1	Upper Housing Assembly	All models
13	1087	1	12 T. Special Sprocket	All models	44	1360	8	Hx. Hd. St. Bolt (1/4-20 x 1 5/16)	All models
14	1443	1	Drive Shaft	All models	45	1037	2	Detent Ball	All models
15	3068	2	Special Hi-Pro Key	All models	46	1475	2	Detent Spring	All models
16	1374	2	No. 9 Alloy Wdrf. Key	All models	47	1091	1	Nylon Insert	All models
17	1104	1	12 T. Special Sprocket	All models	48	1670	1	Nylon Cover	All models
18	1090	1	Chain	All models	49	1357	4	Screw (No. 10-24 x 1/2)	All models
19	1375	1	No. 61 Alloy Wdrf. Key	All models	50	1096	1	Wave Washer	All models
20	1369	2	No. 3 Alloy Wdrf. Key	All models	51	2511	1	Switch Kit Assembly	All models
21	1371	1	No. 4 Alloy Wdrf. Key	All models	52	1318	1	Shift Knob	All models
22	1084	1	8 T. Sprocket	All models	53	2312	1	Shift Lever Assembly	All models
23	1300	1	Retaining Ring	All models					
24	3340	1	Output Shaft	All models					