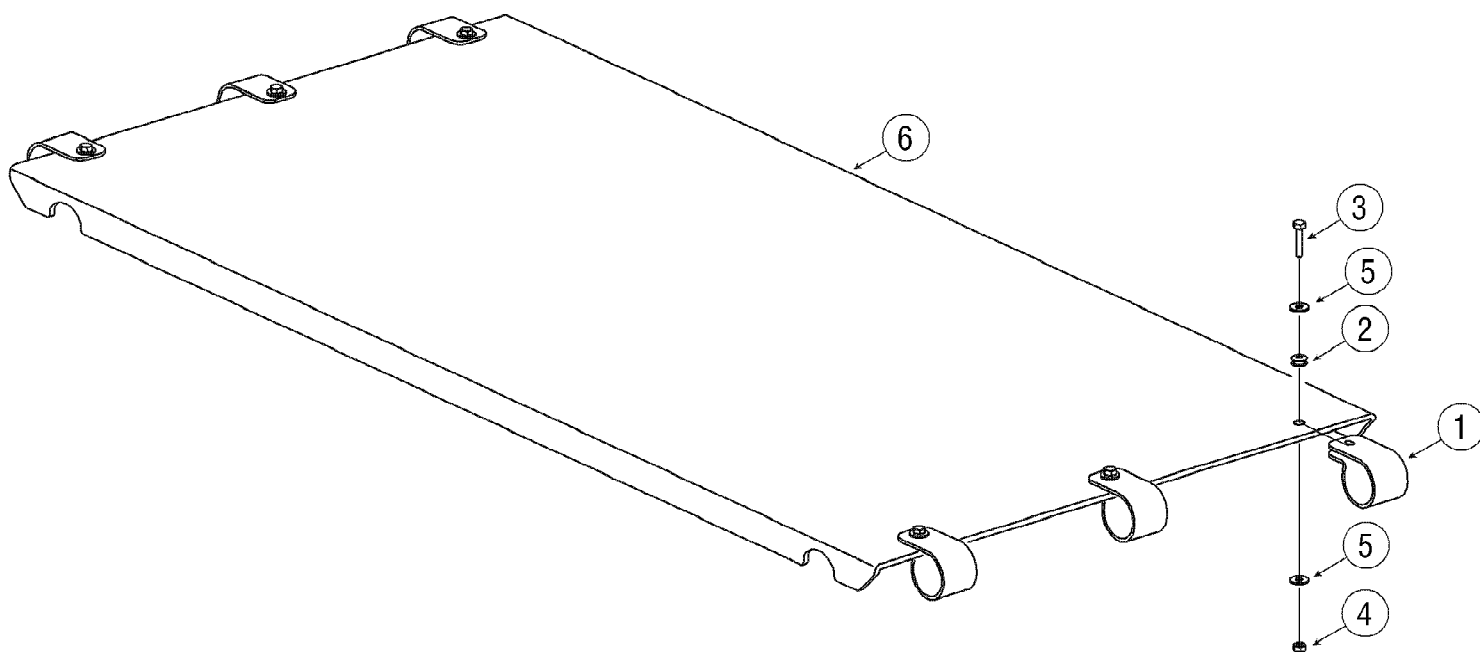


200 Acrylic Windshield
Acrylic Windshield



200 Acrylic Windshield
Acrylic Windshield

Ref #	Part Number	Qty	S/P/F	Description
1	VL-1013101	1		1.75" Windshield Clamp
2	VL-1013102	1		1/4 ID, 5/8 OD Grommett
3	710-0597	1	/P	Hhcs, 1/4-20 x 1.00
4	712-0324	1	/P	Nut, Hexlk, 1/4-20
5	736-3020	1	S	Wash, flat, .271 x .630 x .065
6	VL-1013100	1		Windshield