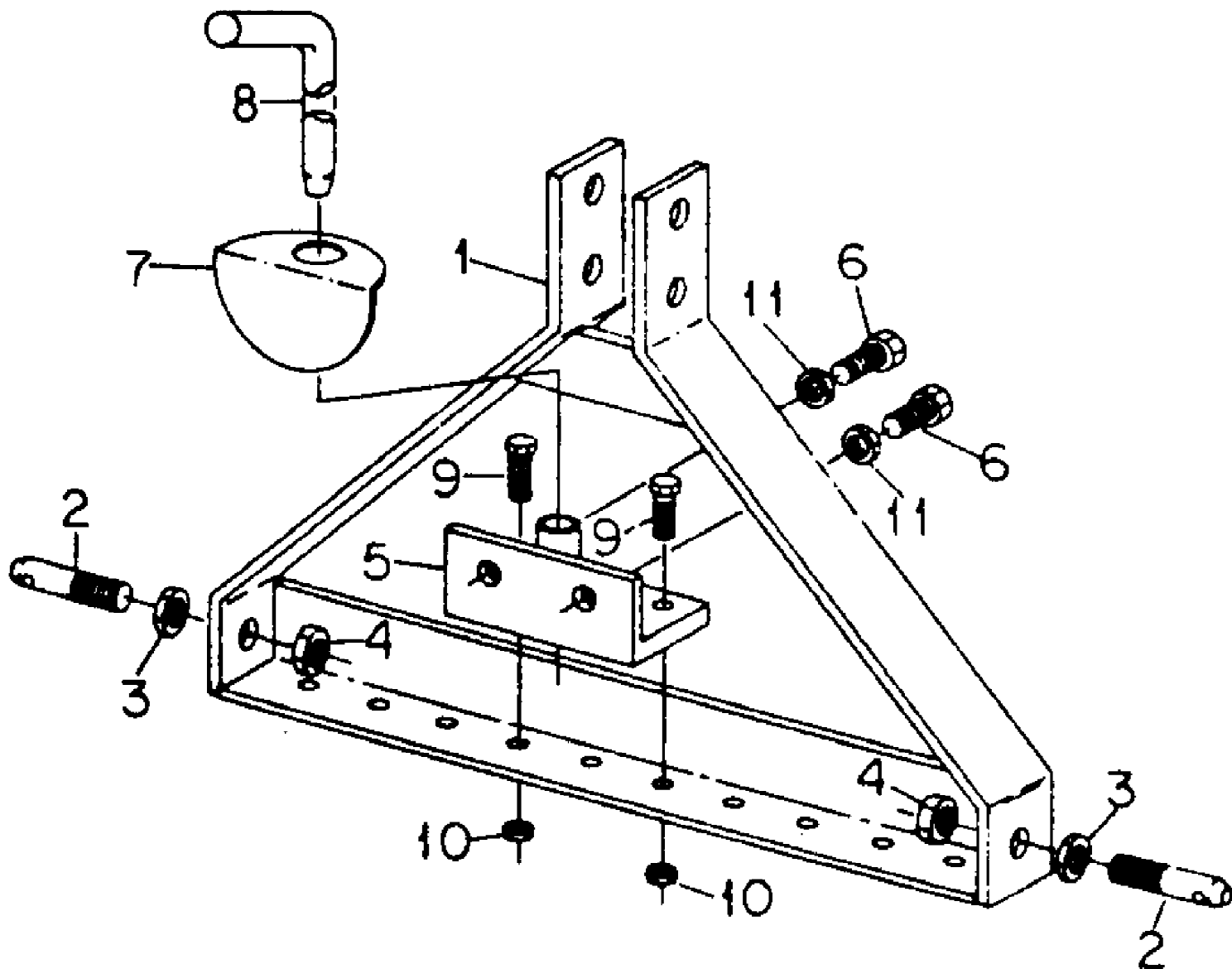
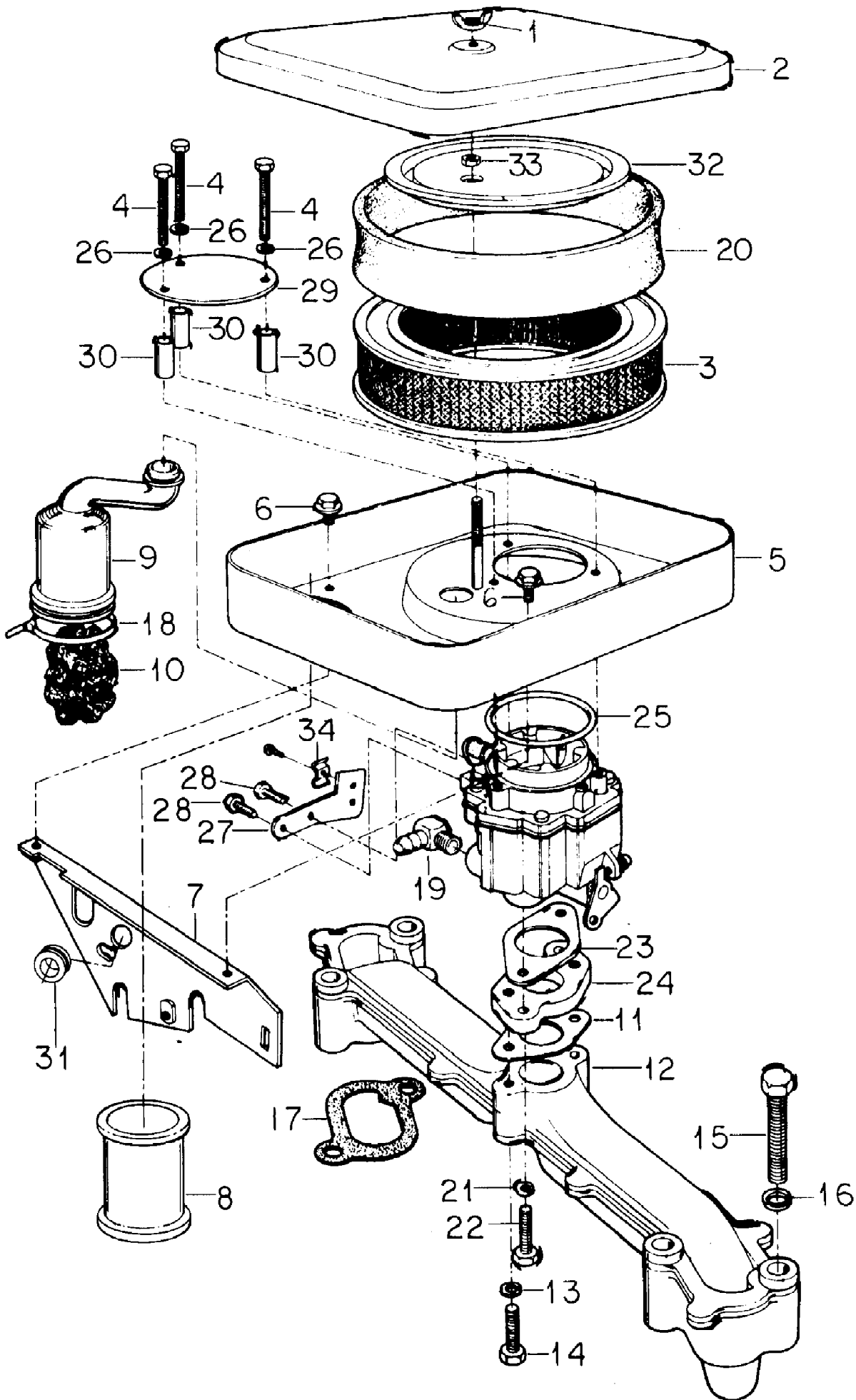


A-Frame Hitch Adapter-To Mt Yoke Type Implmt To Trctrs Eqp



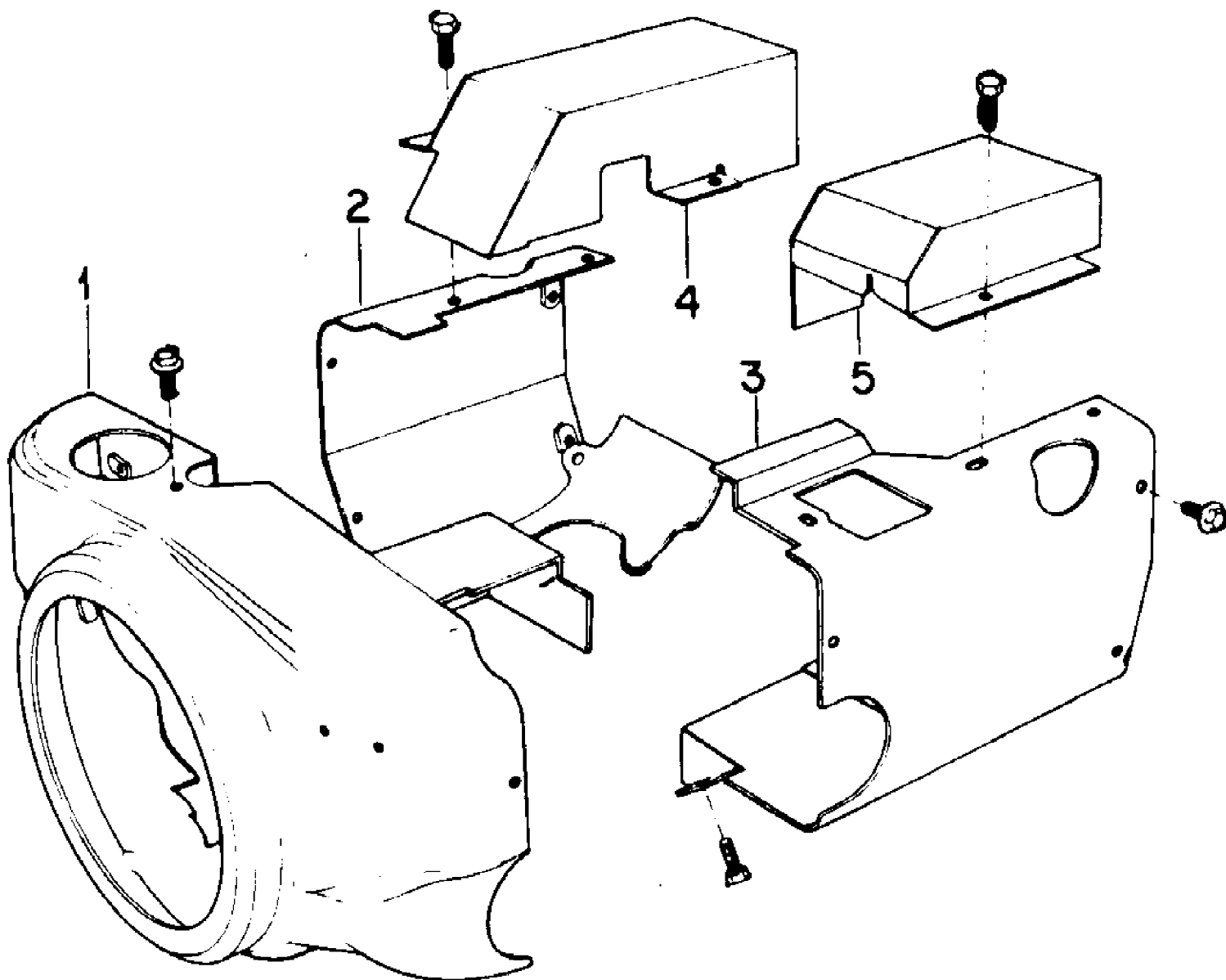
## A-Frame Hitch Adapter-To Mt Yoke Type Implmt To Trctrs Eqp

Ref #	Part Number	Qty	S/P/F	Description
1		1		Adapter Pkg, Frame Hitch
2	IH-106998-C1	2		Pin
3	712-3015	2	S	Nut, 5/8 Jam Type 5
4		2		Nut, 5/8 Type 5 (Common Hardware, Purchase Locally)
5	~NLA	1		Adapter, Sleeve
6	BR-IM2032P	2		Bolt, 5/8 X 2 Type 5
7	BR-H-158	1		Plate, Stabilizer
8	BR-H-130P-01	1	S	Pin, Sleeve
9	710-3181	2	/P	Bolt, 1/2 X 1-1/2 Type 5
	736-0921	2	S	Washer, 1/2 Lock
10	712-0206	2	S	Nut, 1/2 Type 5
11	712-3015	2	S	Nut, 5/8 Jam Type 5
	BR-D-146P	2		Package, Quick Attachable Cotters



## Air Cleaner &amp; Intake Manifold

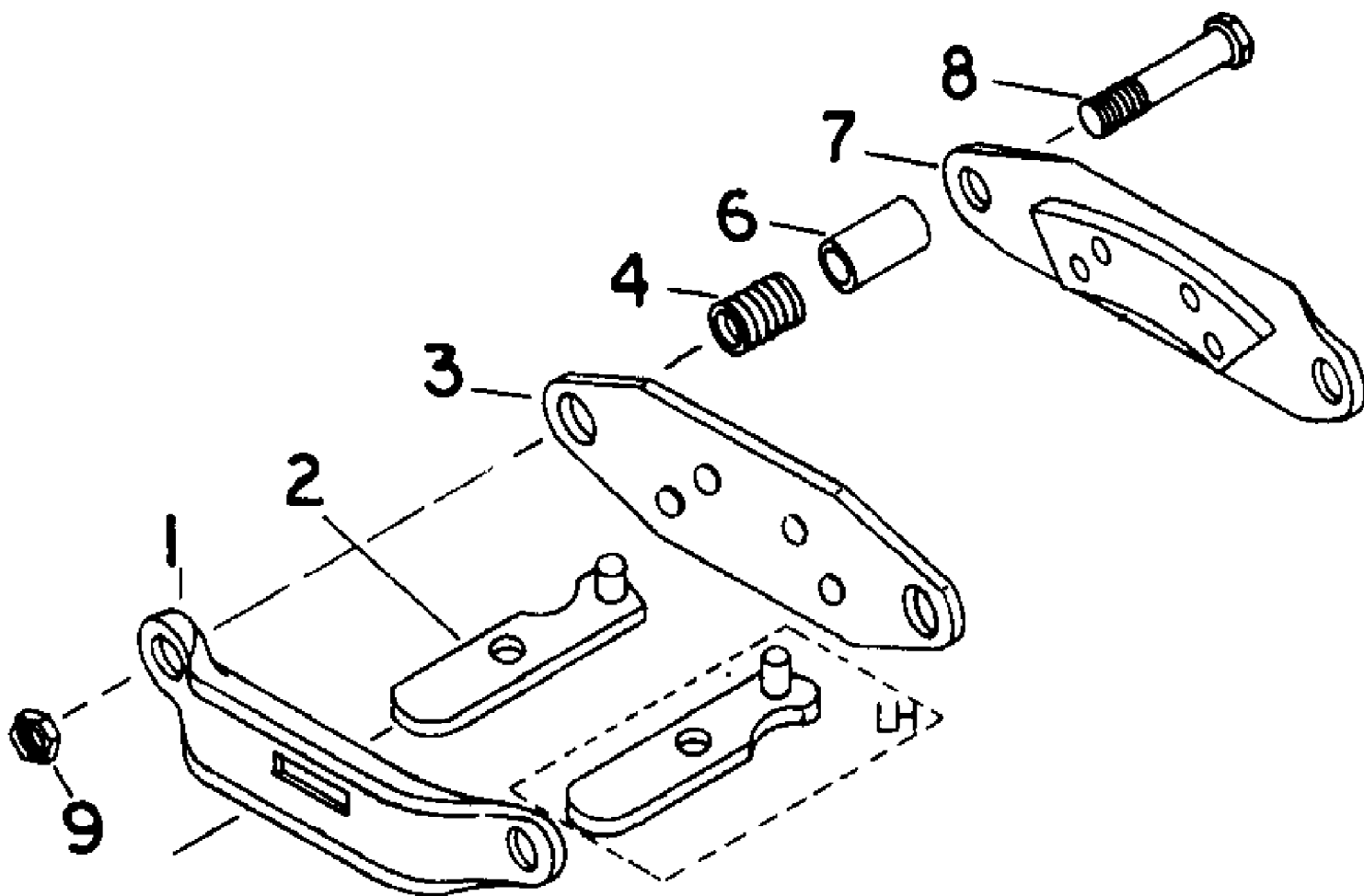
Ref #	Part Number	Qty	S/P/F	Description
1	712-3044	1		Nut, 1/4 Wing
2	ME-140-1663	1		Cover, Air Cleaner
3	ME-140-2522	1	S	Filter, Air
4	IH-78650-C1	3		Screw, Machine, #10-32 X 1-1/2
5	ME-140-1885	1		Housing, Air Cleaner
6	710-0776A	2	S	Screw, 1/4 X 1/2 Tap
7	ME-140-1961	1		Support, Air Cleaner
8	ME-140-1661	1		Tube, Air Intake
9	ME-123-1429	1	/P	Tube, Crankcase Breather
10	ME-123-1417	1		Filter, Breather Tube
11	ME-145-0438	1	/P	Gasket, Carburetor
12	ME-541-0275	1	S	Manifold, Intake OR
	ME-154-2720	1	S	Manifold, Intake
13	736-0329	2	S	Washer, 1/4 Lock
14		2		Bolt, 1/4 X 1-3/8 Type 5 (Common Hardware, Purchase Locally)
15	710-3103	4	/P	Bolt, 5/16 X 2 Type 5
16	736-0119	4	S	Washer, 5/16 Lock
17	ME-154-2495	2	/P	Gasket, Manifold to Block
18	ME-332-0941	1		Tie, Breather Tube
19	ME-502-0313	1		Elbow, Adapter
20	ME-140-1496	1	S	Element, Air Filter Pre-Cleaner
21	736-0119	2	S	Washer, 5/16 Lock
22	710-3038	2	/P	Bolt, 5/16 X 7/8 Type 5
23	ME-154-0733	1	/P	Gasket, Carb to Adapter
24	ME-154-1977	1		Adapter, Carb Mounting
25	ME-509-0145	1		O-Ring, Carb Air Inlet
26	736-0722	3	S	Washer, No. 10 Lock
27	ME-153-0515	1		Bracket, Choke Cable
28	ME-821-0002	2		Screw, 10-32 X 1/4 Cap
29	ME-145-0521	1		Plate, Carb Air Deflector
30	ME-140-1686	3		Spacer, Deflector Plate
31	ME-508-0021	1		Grommet, Rubber
32	ME-140-1692	1		Cover, Element
33	712-3006	1	/P	Nut, 1/4 Type 5
34	ME-153-0514	1		Clip, Choke Cable



984  
Blower Housing

Page 6 of 128

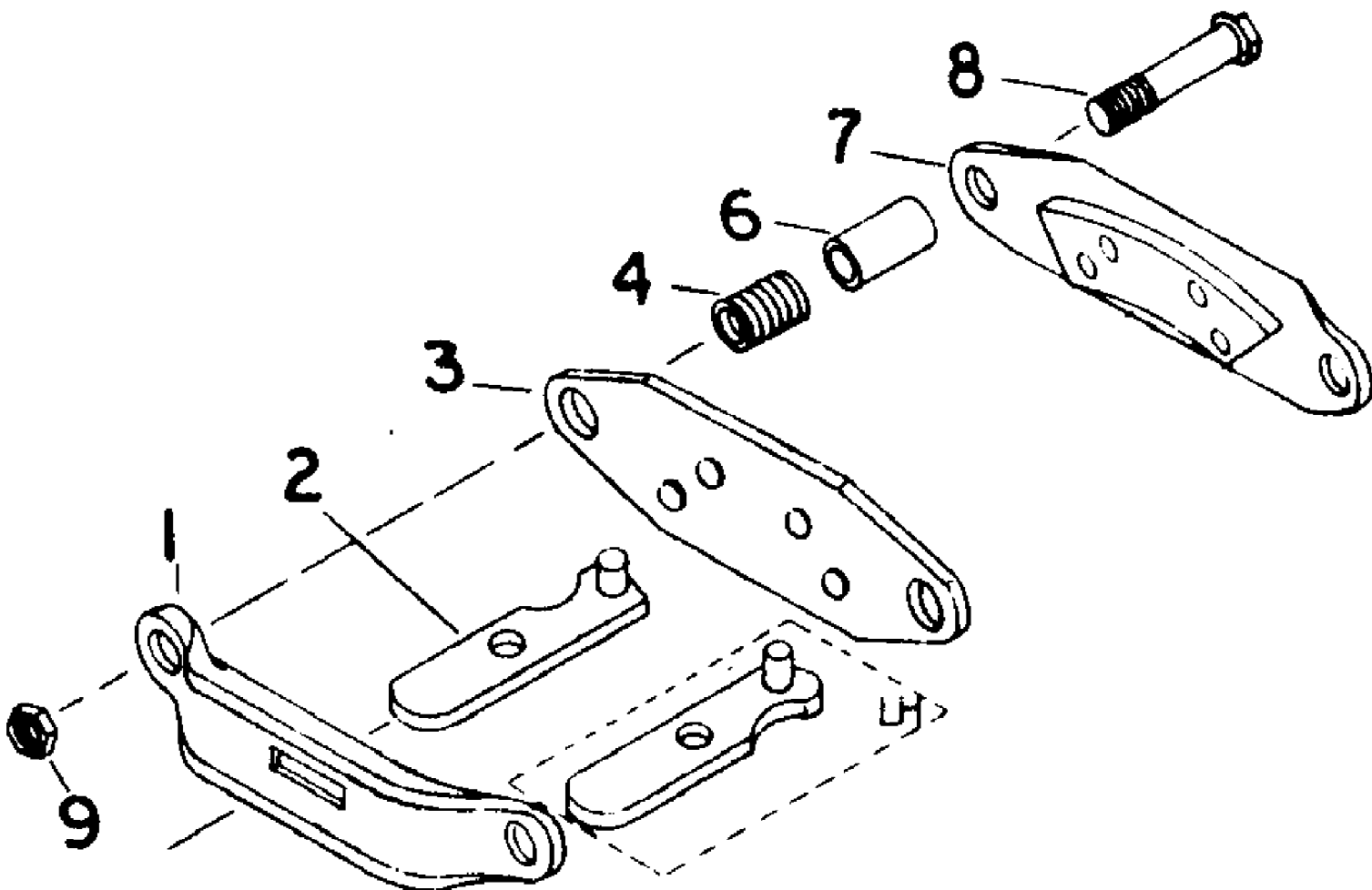
Ref #	Part Number	Qty	S/P/F	Description
1	ME-134-4288	1		Housing, Blower
		2		Bolt, 1/4 X 3/8 Type 5 (Common Hardware, Purchase Locally)
2	ME-134-3803	1		Housing, Cylinder Air, LH
3	ME-134-3800	1		Housing, Cylinder Air, RH
	710-0751	2	/P	Bolt, 1/4 X 5/8 Type 5
	736-0463	2	S	Washer, .281 X .625 X .051
	710-0776A	1	S	Screw, 1/4 X 1/2 H/Whd Tap
4	703-0250	1		Cover, Exhaust Tube, LH
5	703-0252	1		Cover, Exhaust Tube, RH
	ME-821-0008	4		Screw, 1/4-20 X 5/16 Hex Flg Lock
	710-3004	2	S	Screw, 5/16 X 3/4 H/Hd Tap
	ME-526-0018	2		Washer, Flat



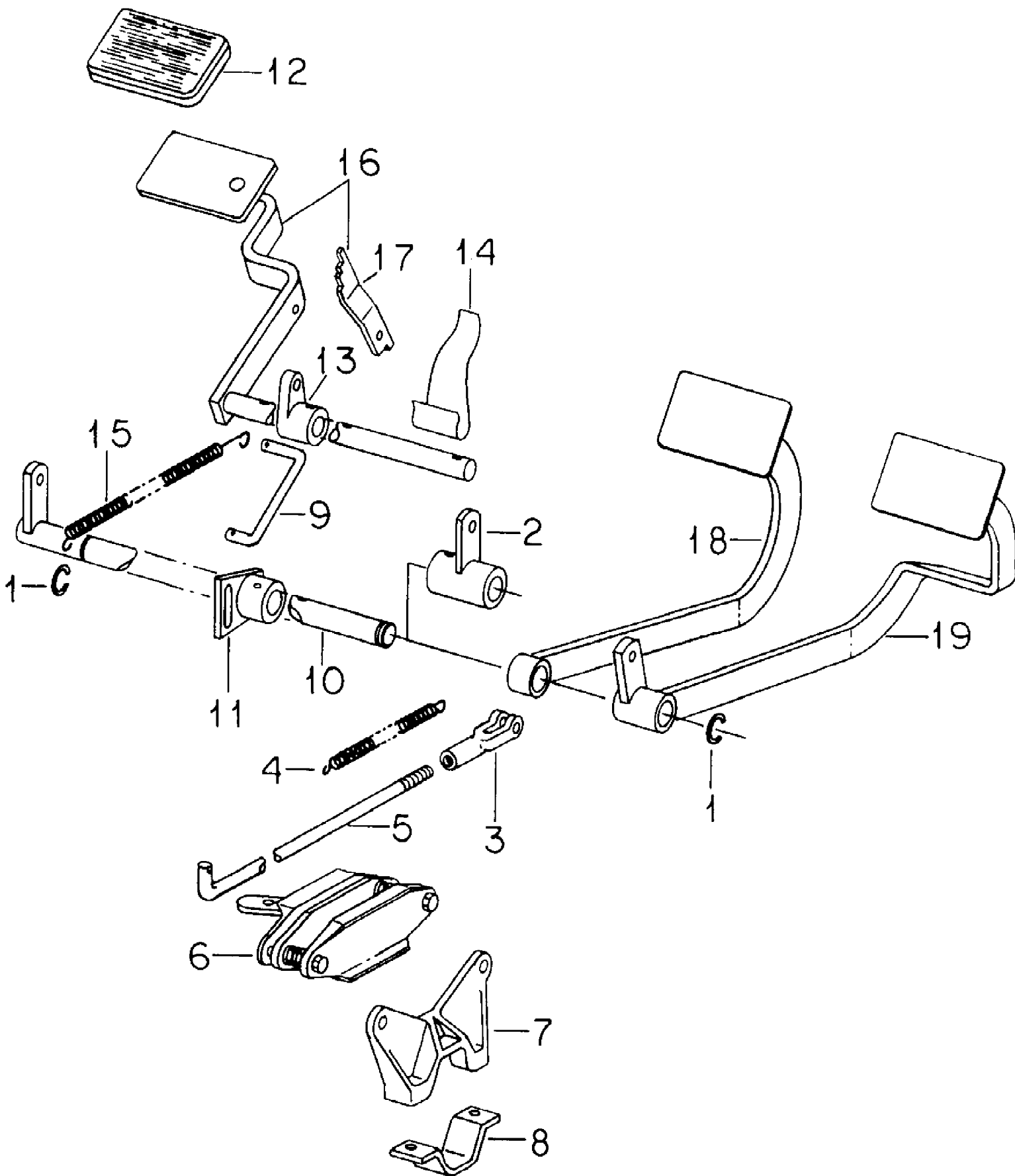
## Brake Caliper Assembly-SN 719999 &amp; Below

Ref #	Part Number	Qty	S/P/F	Description
	761-3003	1		Brake Assembly
1	~NLA	1		Bracket, Cam Actuator
2	IH-223384-C2	1		Cam
3	IH-223385-C2	1		Plate, Flat Pad Holder
4	IH-223388-C1	2		Spring
6	IH-223389-C2	2		Bushing
7	IH-223386-C3	2		Plate, Ribbed Pad Holder
	IH-37508-D	16		Rivet, 9/64 X 3/8 Brs Pln 150D C/Hd S/T
8	710-0331	2	/P	Bolt, 3/8-NF X 2-1/4 Type 5
9	712-0214	2	S	Nut, 3/8-NF P/T Lock Type 5

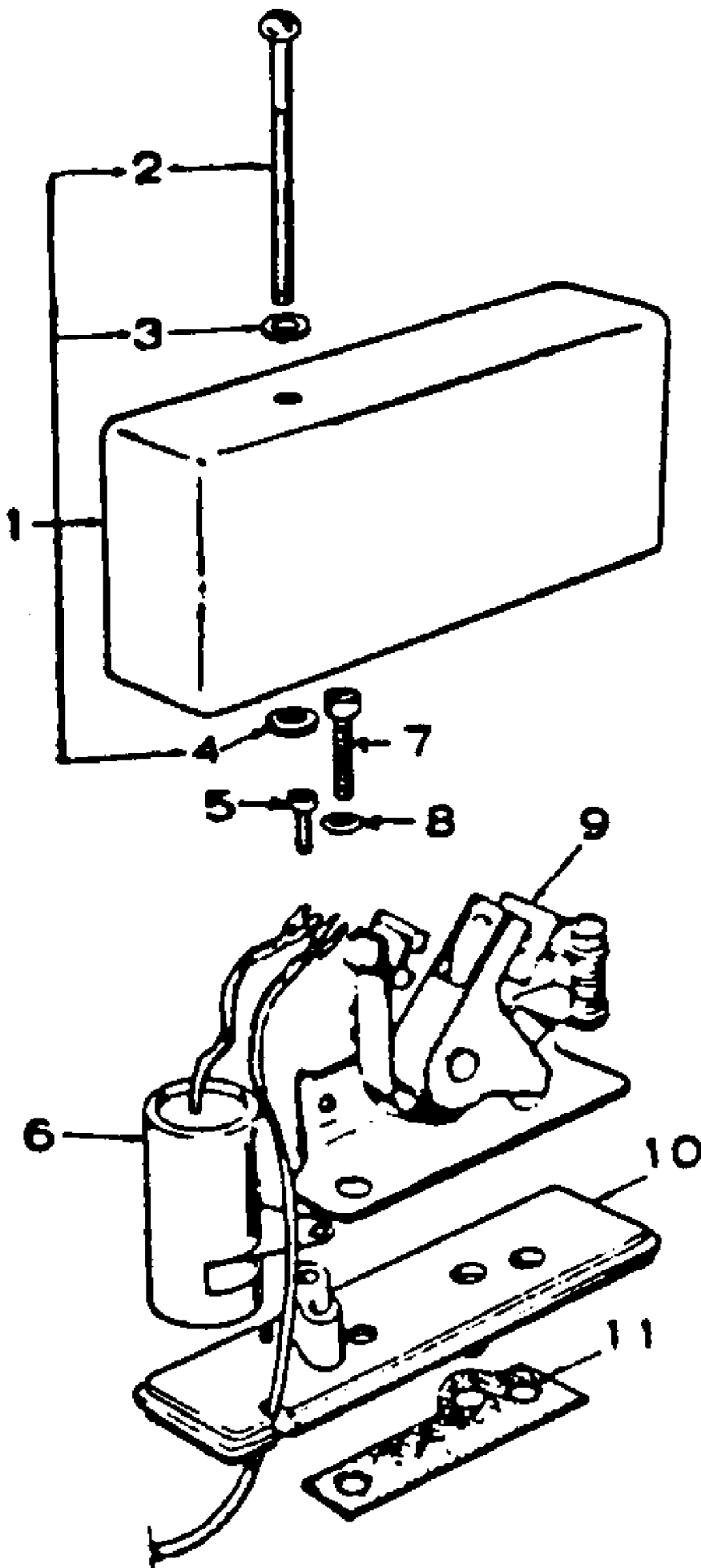




Ref #	Part Number	Qty	S/P/F	Description
	IH-106904-C91	1		Caliper Assy, Brake
1	~NLA	1		Bracket, Cam
2	IH-223384-C2	1		Cam
3		1		Plate, Flat Pad Holder (Furnish Relining Kit IH-107148-C91)
4	IH-223388-C1	2		Spring, Compression
6		2		Bushing (Furnish Relining Kit IH-107148-C91)
7		1		Plate, Ribbed Pad Holder (Furnish Relining Kit IH-107148-C91)
	IH-37508-D	8		Rivet, 9/64 X 3/8 Brs Pln 150D C/Hd S/T
8	710-0331	2	/P	Bolt, 3/8-NF X 2-1/4 Type 5
9	712-0214	2	S	Nut, 3/8-NF P/T Lock Type 5
	IH-107148-C91	1		Kit, Brake Relining Plate Flat Pad Holder Plate, Ribbed Pad Holder Bushing



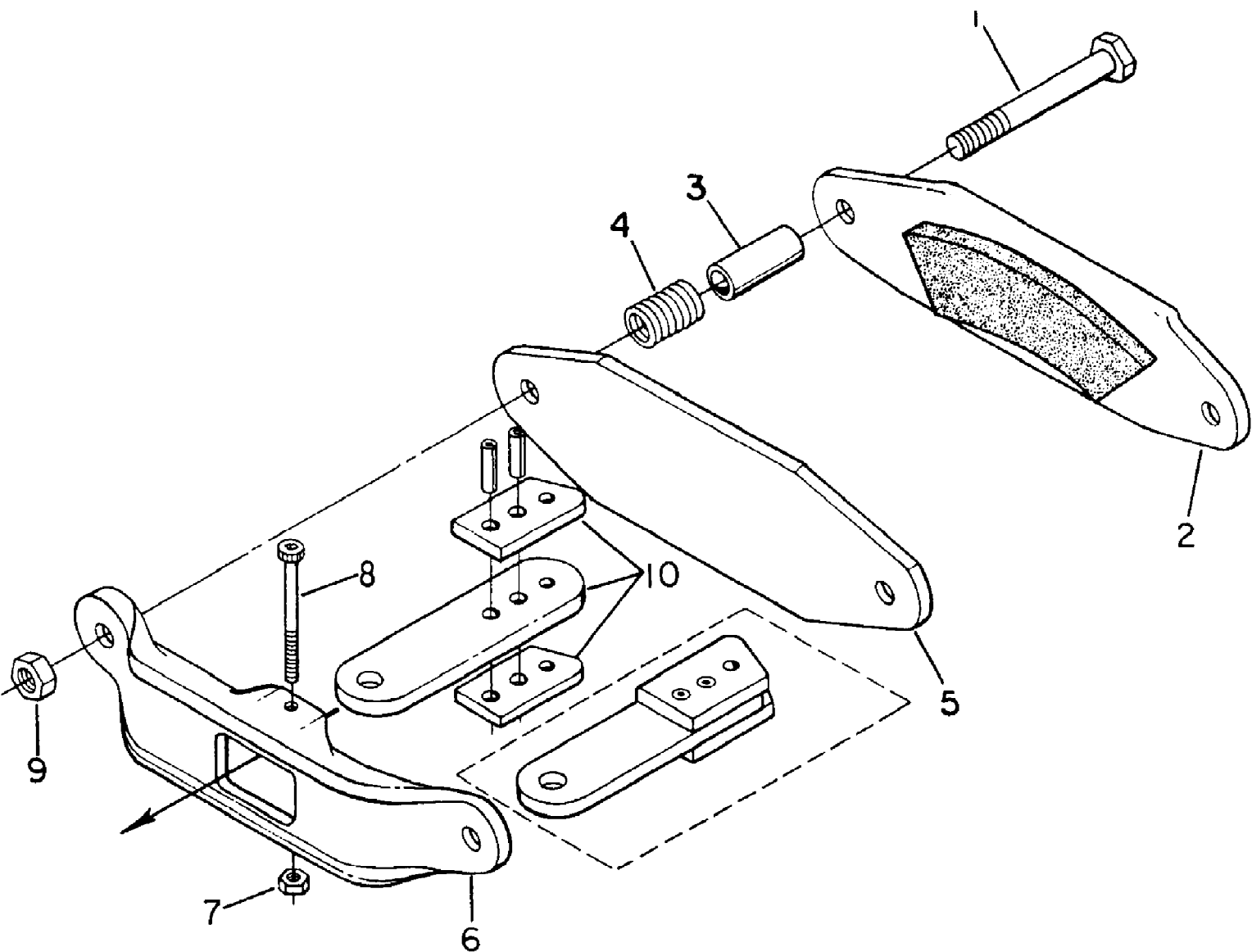
Ref #	Part Number	Qty	S/P/F	Description
1	716-3001	2	S	Ring Retaining
	715-3000	1	S	Pin, 1/4 X 1-3/8 Hvy Cld-Spr
2	703-0220	1		Lever Assy, RH Brake (Tractor w/o Two Pedal Brake Att)
3	719-3013	2	/P	Clevis, 3/8 X 24 Adj Rod End
	711-3037	2	S	Pin, 3/8 X 1.562 Pln Clevis
	736-0185	6	S	Washer, .406 X .625 X .054
	714-0507	2	S	Pin, 3/32 X 3/4 Pln Cot
	712-3001	2	S	Nut, 3/8-NF Jam Type 5
4	732-3026	2		Spring Brake Return
5	747-3022	2	/P	Rod Brake
	714-0474	2	S	Pin, 1/8 X 3/4 Pln Cot
	736-0140	2	S	Washer, .406 X .812 X .051
6	761-3003	2		Brake Assembly (Serial No. 719999 and Below)
	IH-106904-C91	2		Brake Assembly (Serial No. 720000 thru 736124 and 739340 thru 742999)
	761-3003	1	F	Caliper Assembly, Brake (Serial No. 736125 thru 739339 and 743000 & Above)
7	719-3014	2		Bracket, Caliper Mtg (Serial No. 719999 and Below)
	719-3048	2	/P	Bracket, Caliper Mtg (Serial No. 720000 and Above)
8	703-0222	2		Flange Caliper Mounting
	710-3125	4		Bolt, 3/8 X 1-1/4 Type 8
	736-3010	4	/P	Washer, .406 X .812 X .134 Phc Hdn
9	747-3023	1	/P	Rod, Center Brake
	736-0140	3	S	Washer, .406 X .812 X .051
	714-0507	2	S	Pin, 3/32 X 3/4 Pln Cot
10	703-0223	1		Shaft Assy, Brake
11	703-0225	1	S	Arm Assy, Parking Brake Plate
12	724-3000	3	S	Pad, Pedal
13	719-3000	1	S	Lever, Neutral Return
14	732-3000	1	S	Spring, Switch Operating (Serial No. 713151 and Below)
	732-3039A	1		Spring, Switch Operating (Serial No. 713152 and Above)
	726-3000	1	/P	Nut, Spring
	715-3000	3	S	Pin, 1/4 X 1-3/8 Hvy Cld-Spr
15	732-3010	1	S	Spring, Return
16	703-0227	1	/P	Pedal Assy, Neutral Return & Brake
17		1		Ratchet (Order Kit IH-1254949-C91)
18	703-0412	1		Pedal Assy, LH Brake
19	703-0416	1		Pedal Assy, RH Brake
	759-3127	1		Kit, Brake Lock (Replaces Ratchet 759-3127 & 703-0006) Ratchet Nut Washer, Spring



984  
Breaker Box

Page 14 of 128

Ref #	Part Number	Qty	S/P/F	Description
	ME-160-1303	1		Box Assy, Breaker
1	ME-160-1285	1		Cover Assy
2	IH-110508	1		Screw, No. 10 X 1-1/2 Pln R/Hds Mach
3	736-0931	1	/P	Washer, Cover Mtg
4	ME-509-0065	1		Retainer, O-Ring
5	ME-815-0358	1		Screw, Tapping
	IH-121841	1		Washer, No. 8 Lock
6	ME-312-0246	1	/P	Condenser
7		2		Screw, 1/4 X 3/4 H/Shd Cap (Common Hardware, Purchase Locally)
8	736-0329	2	S	Washer, 1/4 Lock
9	ME-160-1183	1	/P	Point Assy, Breaker
10	ME-160-1219	1		Base
11	ME-160-1150	1	S	Gasket
	ME-160-1328	1	S	Kit, Tune Up (Includes Ref No. 6 and 9)



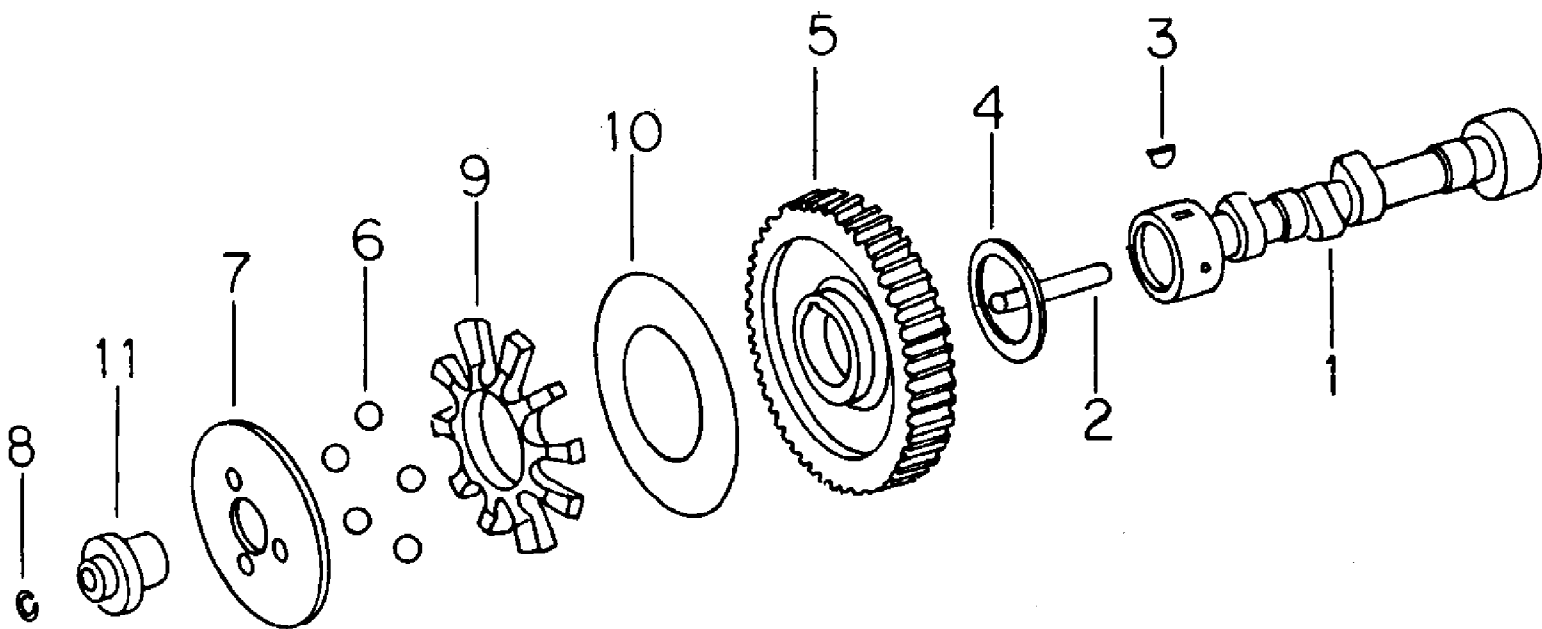
## Caliper Brake Assy-SN 73612 Thru 739339 &amp; 743000 &amp; Up

Ref #	Part Number	Qty	S/P/F	Description
	761-3003	2		Caliper Assy, Brake
1	710-0331	2	/P	Bolt, 3/8-NF X 2-1/4
2		1		Pad, Outer (Order Kit 759-3185)
3		2		Spacer (Order Kit 759-3185)
4	732-3042	2	S	Spring, Compression
5		1		Pad, Inner (Order Kit 759-3185)
6	703-0931	1		Bracket, Actuator
7	712-3055	2	S	Nut, Hex Top Lock Jam, 5/16-18 GR5
8	710-3133	1		Screw, Shoulder
9	712-3054	4	/P	Nut, Hex Lock, 3/8-24
10	703-0932	1	S	Cam, Actuating (Reverse for Opposite Application)
	759-3185	1	S	Kit, Brake Pad (Consists of Ref No. 2, 3 & 5)



984  
Camshaft

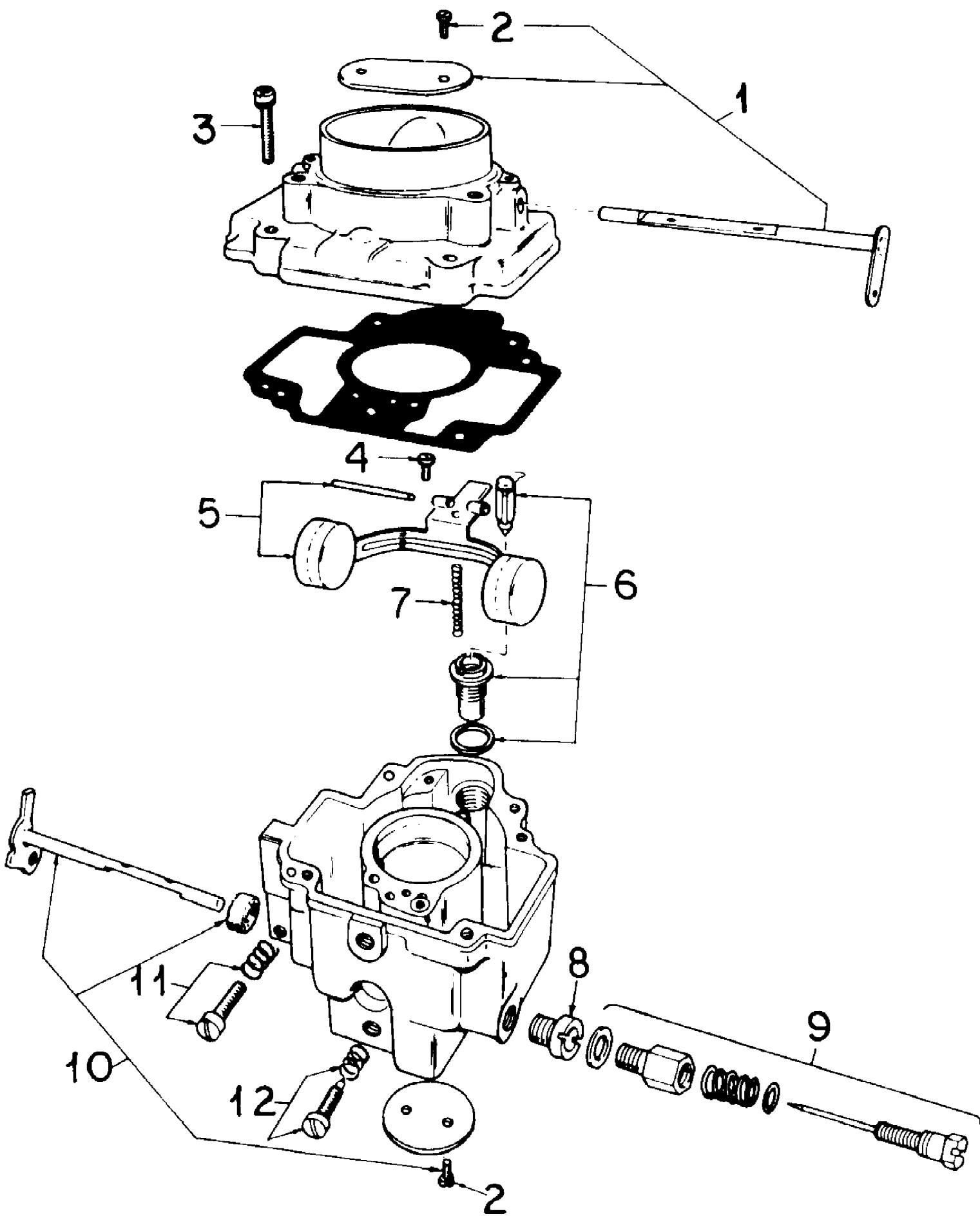
Page 17 of 128



984  
Camshaft

Page 18 of 128

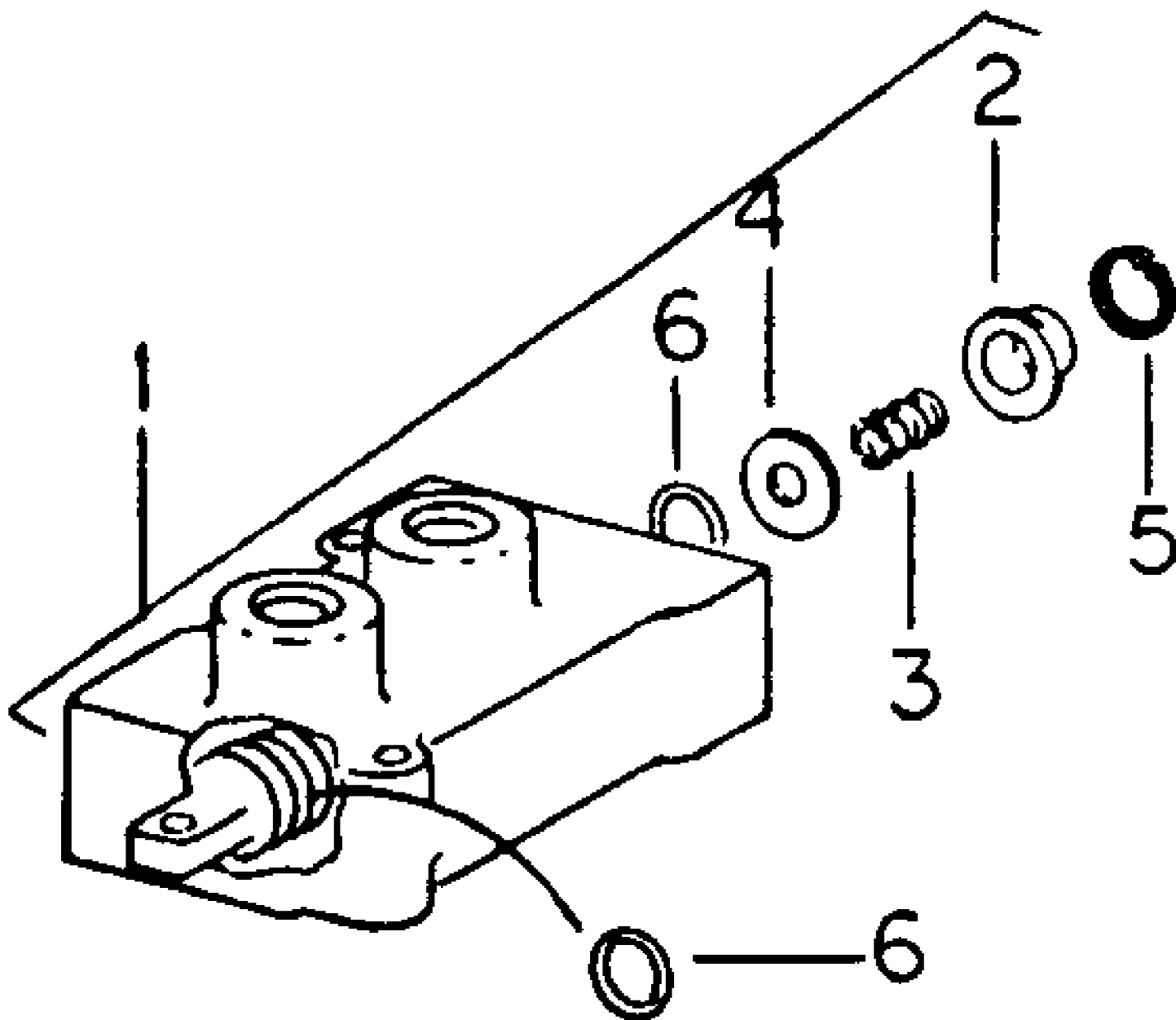
Ref #	Part Number	Qty	S/P/F	Description
1	ME-105-0639	1		Camshaft (Includes Ref No. 2)
2	ME-150-0075	1		Pin, Camshaft
3	ME-515-0001	1		Key, Gear
4	ME-105-0541	1		Washer, Thrust
5	ME-105-0332	1	S	Gear Assy
6	ME-510-0015	5		Ball, Governor Fly
7	ME-150-1520	1	/P	Cup, Governor
8	ME-150-0078	1		Ring, Retaining
9	ME-105-0332	1	S	Spacer, Flyball
10	ME-105-0332	1	S	Plate, Flyball
11	ME-150-1519	1		Hub, Governor Cup



984  
Carburetor

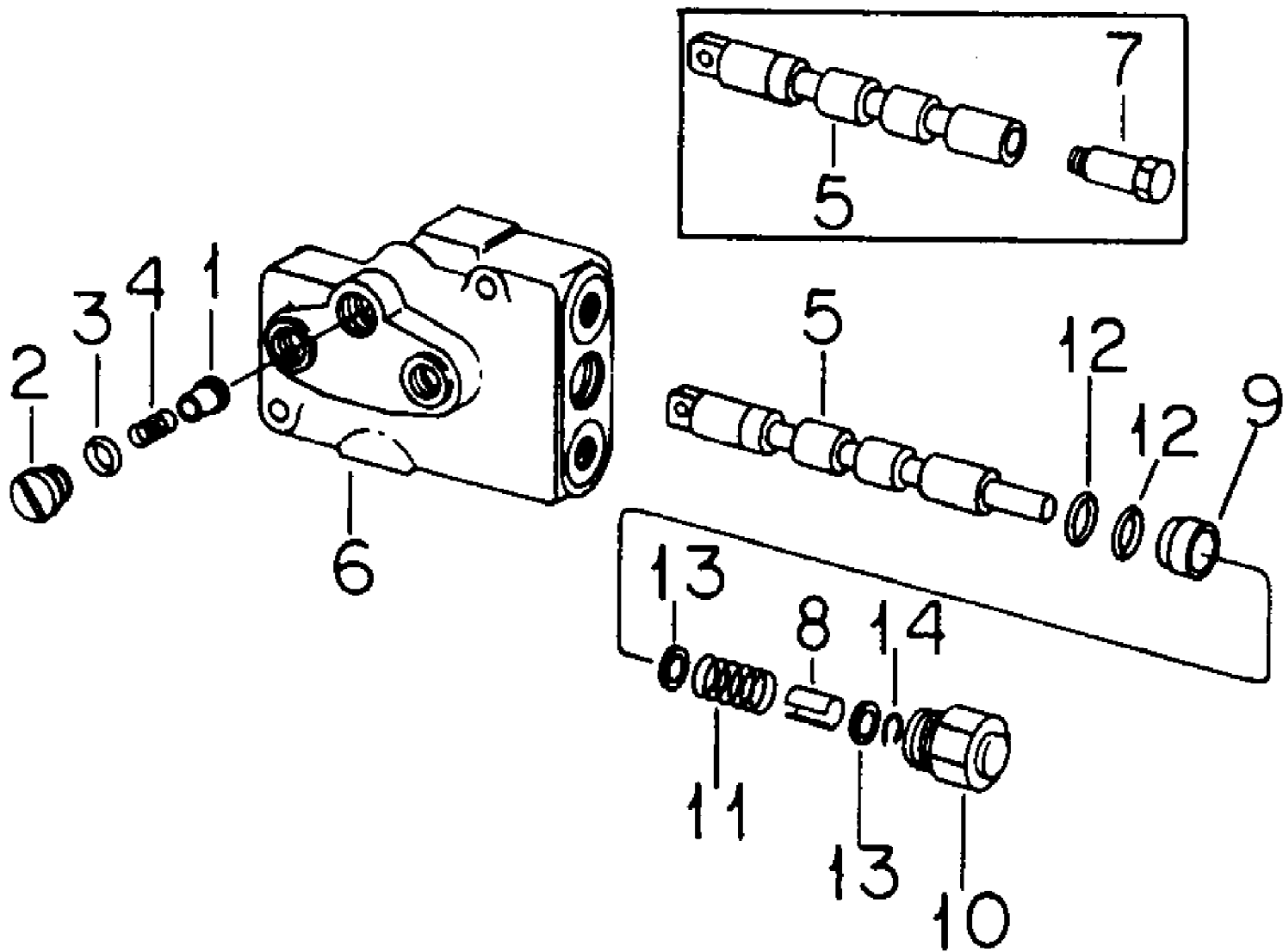
Page 20 of 128

Ref #	Part Number	Qty	S/P/F	Description
	ME-146-0495	1	/P	Carburetor Assy, Downdraft
1	ME-146-0260	1		Shaft, Choke
2	ME-146-0142	4		Screw, Choke Valve
3	ME-146-0247	4		Screw, Body to Intake
4		1		Not Serviced Separately (Order Kit ME-146-0262)
5	ME-146-0262	1		Kit, Float
6	ME-146-0289	1	/P	Valve & Seat Assy
7		1		Not used in this application
8	ME-146-0238	1		Jet, Power
9	ME-146-0282	1		Needle Assy, Power
10	ME-146-0259	1		Package, Throttle Shaft
11	ME-146-0261	1		Package, Idle Speed Adj Screw
12	ME-146-0209	1		Package, Idle Needle
	ME-146-0220	1	S	Kit, Carburetor Gasket
	ME-146-0292	1		Kit, Carburetor Repair



## Control Valve-4 Way-Victor Fluid

Ref #	Part Number	Qty	S/P/F	Description
1	IH-69152-C92	1		Valve Assy, 4 Way (For Replacement Order Control Valve Assy Part No. 717-3004)
2	IH-69153-C1	1		Cup
3	IH-69154-C1	1		Spring
4	IH-69155-C1	1		Washer, Return
5	IH-303322-R1	1		Ring, Internal Retaining
6	IH-355966-R1	2		O-Ring, 7/16 X 5/8 X 3/32
	717-3004	1		Valve Assy, Control Only Serviceable Parts Are
	759-3432	1		Kit, Seal
	759-3433	1		Kit, Spring Centering

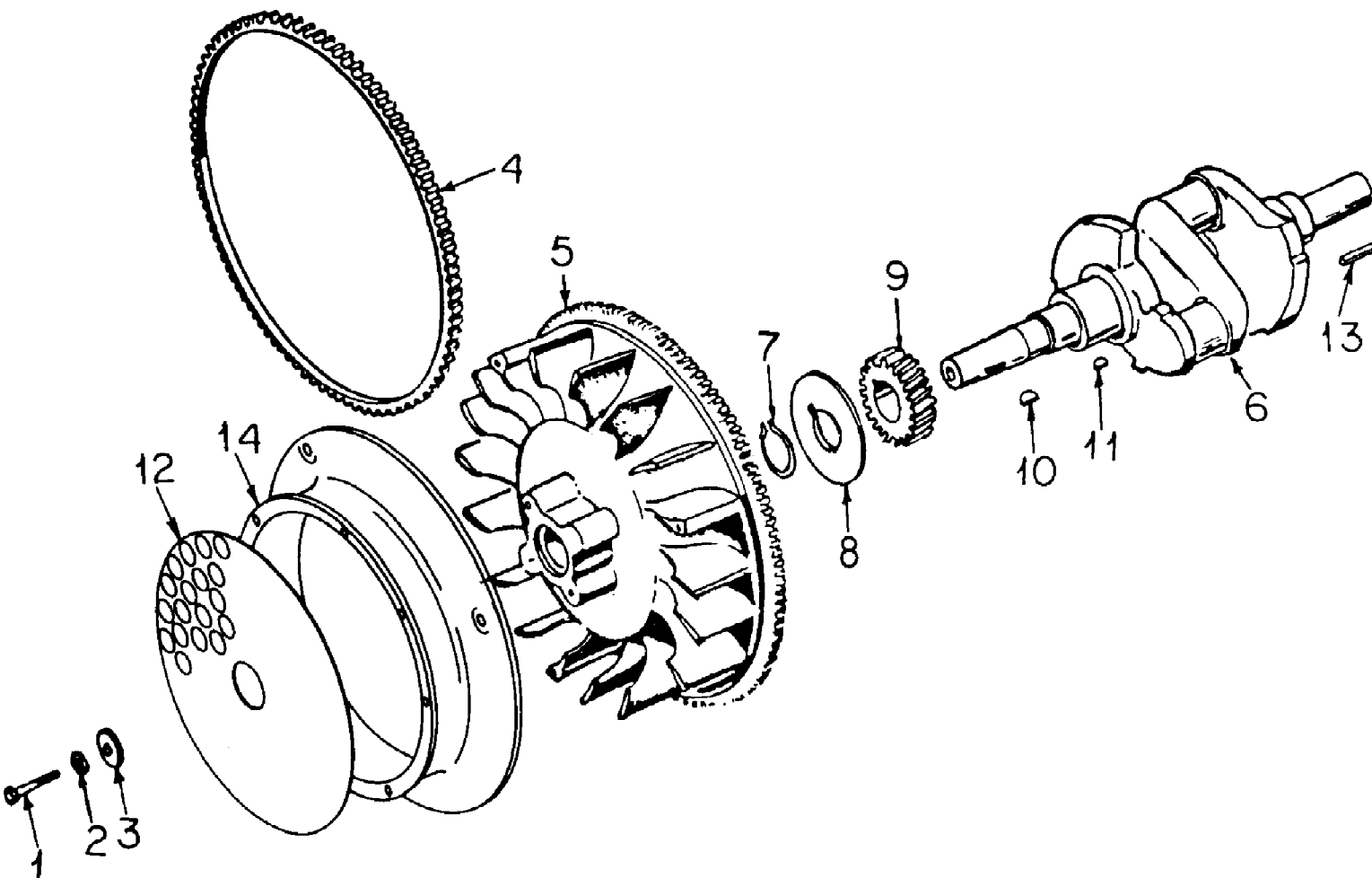


984  
Control Valve-Cessna

Page 24 of 128

Ref #	Part Number	Qty	S/P/F	Description
	IH-547633-R92	1		Valve Assy, Control (For Replacement Order Control Valve Assy Part No. 717-3004)
1	IH-673622-R1	1		Plunger, Lift Check
2	IH-201844-C91	1		Plug, Lift Check
3	IH-252738-R1	1		O-Ring, 3/8 X 9/16 X 3/32
4	IH-673625-R1	1		Spring, Lift Check
5		1		Spool - Not Serviced Separately
6		1		Body - Not Serviced Separately
7		1		Not used in this application
8	IH-674492-R1	1		Spacer, Spool
9	IH-674775-R1	1		Bushing
10	IH-1418841-R1	1		Cap
11	IH-674490-R1	1		Spring, Spool Center
12	IH-252739-R1	2		O-Ring, 1/2 X 11/16 X 3/32
13	IH-824545-C1	1/AR		Washer, .020
	HH-03-03017	1/AR		Washer, .046
14	~NLA	1/AR		Ring, Retainer

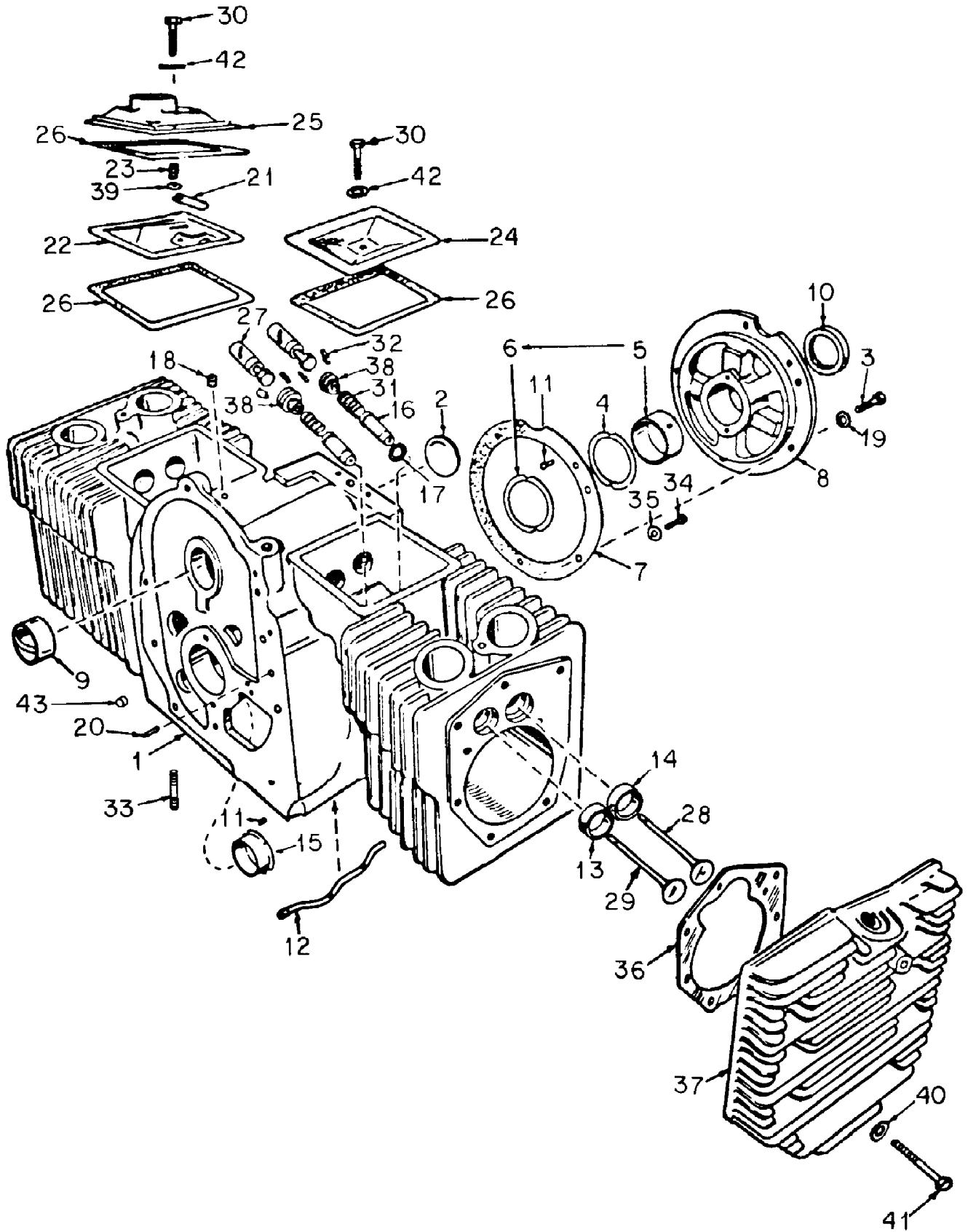




984  
Crankshaft & Flywheel

Page 26 of 128

Ref #	Part Number	Qty	S/P/F	Description
1	ME-104-0170	1		Bolt
2	736-0171	1	S	Washer, 7/16 Lock
3	ME-526-0017	1		Washer
4	ME-104-0779	1		Gear, Ring
5	ME-134-4641	1		Flywheel Assy (Includes Ref No. 4)
6	ME-104-1360	1		Crankshaft
7	ME-518-0014	1		Ring, Gear Retaining
8	ME-104-0043	1		Washer, Gear Retaining
9	ME-104-0032	1		Gear, Crankshaft
10	ME-515-0263	1		Key, Flywheel
11	ME-515-0001	1		Key, Crankshaft Gear
12	ME-134-3870	1		Guard, Flywheel
		6		Screw, No. 10 X 1/2 Znp H/Hd L/W Mach (Common Hardware, Purchase Locally)
		2		Bolt, 5/16 X 1/2 Phc P/T Type 8 (Common Hardware, Purchase Locally)
13	ME-515-0103	1		Key, Crankshaft Stub
14	ME-134-3847	1		Venturi, Blower Wheel
	710-3013	5	/P	Bolt, 1/4 X 1/2 Type 5



Ref #	Part Number	Qty	S/P/F	Description
1	ME-110-3151	1		Crankcase (Includes Ref No. 2 thru 20)
2	ME-517-0048	1		Plug
3	710-3005	5	/P	Bolt, 3/8 X 1-1/4 Type 5
4	ME-104-0776	1 or AR		Set, Shim
5	ME-101-0450	1	S	Bearing, Crankshaft Rear, Std (Includes Ref No. 6)
5	ME-101-0450-02	1		Bearing, Crankshaft Rear, .002 U/S
5	ME-101-0450-10	1		Bearing, Crankshaft Rear, .010 U/S
6	ME-104-0575	2		Washer, Crankshaft Brg Thrust
7	ME-101-0415	1	S	Gasket, Brg Plate
8	ME-101-0551	1		Plate, Brg Rear
9	ME-101-0405	2	/P	Bearing, Camshaft
10	ME-509-0041	1	/P	Seal, Crankshaft Rear
11	ME-516-0072	4		Pin, Bearing Stop
12	ME-120-0735	1		Tube, Cyl Block Oil
13	ME-110-1824	2		Insert, Exhaust Valve Seat, Std
	ME-110-1824-02	2		Insert, Exhaust Valve Seat, .02 O/S
	ME-110-1824-05	2		Insert, Exhaust Valve Seat, .005 O/S
	ME-110-1824-10	2		Insert, Exhaust Valve Seat, .010 O/S
14	ME-110-0197	2		Insert, Intake Valve Seat, Std
	ME-110-0197-02	2		Insert, Intake Valve Seat, .002 O/S
	ME-110-0197-05	2		Insert, Intake Valve Seat, .005 O/S
	ME-110-0197-10	2	/P	Insert, Intake Valve Seat, .010 O/S
15	ME-101-0432	1	S	Bearing, Crankshaft Frt, Std
	ME-101-0432-02	1		Bearing, Crankshaft Frt, .002 U/S
	ME-101-0432-10	1	S	Bearing, Crankshaft Frt, .010 U/S
16	ME-110-1935	4		Guide, Valve
17	ME-110-0068	2		Gasket, Intake Valve Guide
18	IH-78585-C1	1		Plug, Breather Hole
19	736-0169	5	S	Washer, 3/8 Lock
20	ME-516-0141	2		Pin, Gear Cover Alignment
21	ME-123-1175	1		Flap, Breather Valve
22	ME-123-1173	1		Baffle, Breather Valve
23	ME-123-1174	1		Spring, Breather Valve
24	ME-110-1879	1		Cover, Valve
25	ME-110-2274	1		Cover, Valve
26	ME-110-1921	3	S	Gasket, Valve Cover
27	ME-115-0006	4		Tappet, Valve, Std
	ME-115-0006-02	4		Tappet, Valve, .002 O/S
	ME-410-0702	4		Tappet, Valve, .005 O/S
28	ME-110-2368	2		Valve, Intake
29	ME-110-1955	2		Valve, Exhaust
30		2		Bolt, 1/4 X 1-3/4 Type 5 (Common Hardware, Purchase Locally)
31	ME-110-0539	4		Spring, Valve
32	ME-110-0639	8		Lock, Valve Spring
33	ME-520-0820	2		Stud, Wet Hole
34	710-3017	2		Bolt, 3/8 X 1/2 Type 5
35	ME-526-0066	2		Washer, Copper
36	ME-110-3181	2	/P	Gasket, Cylinder Head
37	ME-110-3214	1		Head, Cylinder, RH
	ME-110-3213	1		Head, Cylinder, LH

984  
Cylinder Block

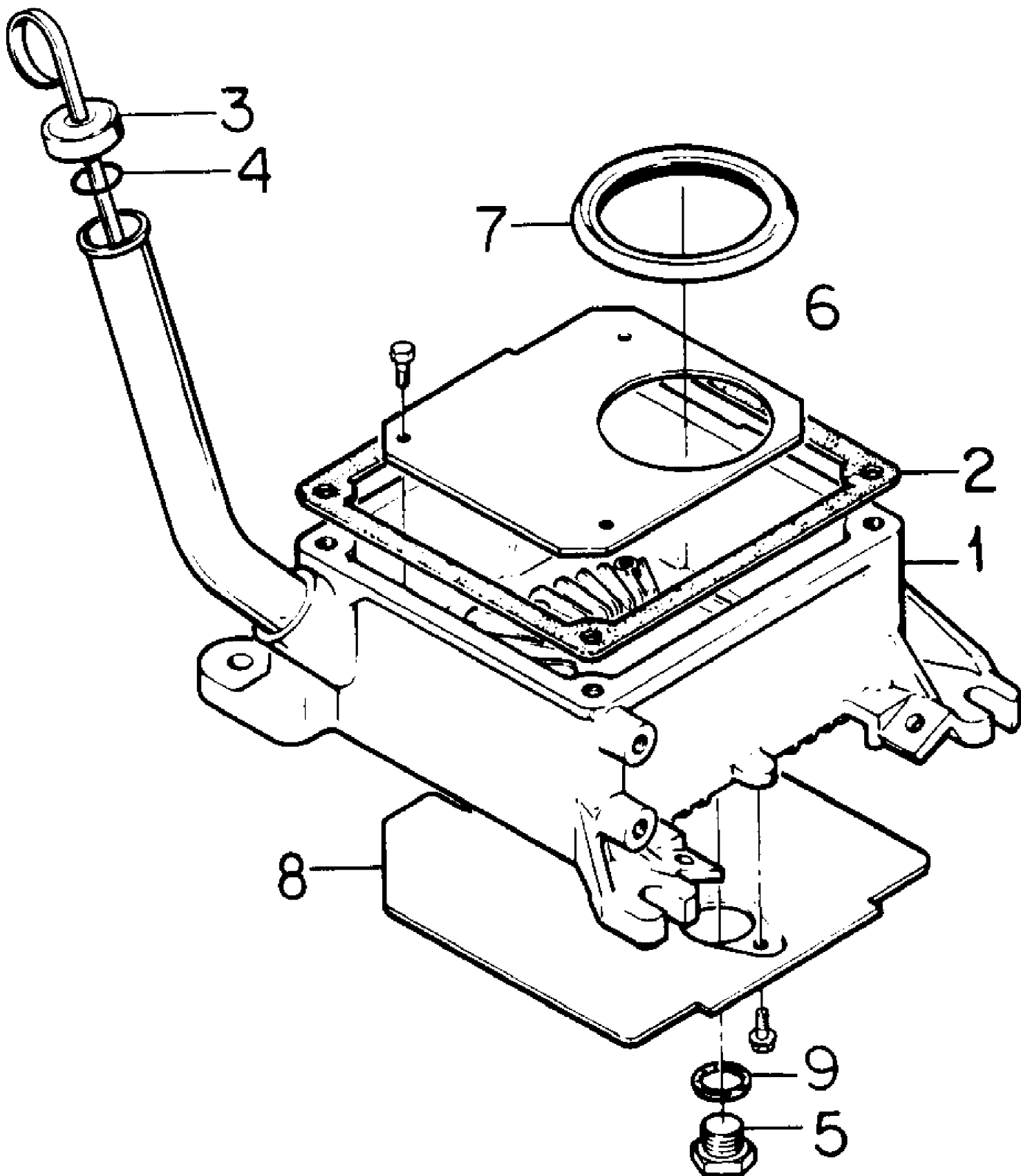
Ref #	Part Number	Qty	S/P/F	Description
38	ME-110-0904	4		Rotator, Valve
39	736-0463	1	S	Washer, .281 X .625 X .051
40	736-0275	18	S	Washer, .344 X .688 X .051
41	IH-25750-R1	12		Bolt, 5/16 X 1-5/8 Cyl Head
	IH-25232-R1	6		Bolt, 5/16 X 2 Cyl Head
42	ME-526-0063	2		Washer, Copper
43	ME-517-0067	1		Plug, Core Hole
	ME-168-0189	1		Kit, Carbon Removal Gasket
	ME-168-0188	1	/P	Kit, Engine Gasket



Ref #	Part Number	Qty	S/P/F	Description
1	703-0017	1	S	Strap Assy, Battery
3	725-3061	1	S	Battery, 12 Volt
4	725-3078	1	S	Cable, Battery-Positive
	710-0451	1	/P	Bolt, 5/16 X 3/4 Crg Type 1
	712-0267	1	S	Nut, 5/16 Type 5
	725-3007	1	S	Insulator, Battery Terminal
	725-3008	2		Insulator, Terminal, Boot
5	725-0978	1	S	Cable, Battery Negative Terminal to Ground
	710-0703	1	/P	Bolt, 1/4 X 3/4 Crg Type 1
	712-3006	1	/P	Nut, 1/4 Type 5
6	725-3011	2	S	Holder, Fuse
	IH-356445-R91	2	/P	Knob, Fuse Holder
7	725-3012	2	S	Fuse, 10 Amp (Serial No. 719999 and Below)
	IH-223288-C1	2		Fuse, 15 Amp (Serial No. 720000 and Above)
	IH-223288-C1	1		Fuse, 15 Amp (Tractor w/Rear PTO)
8	725-3028	1		Harness Assy, Main Cable
	IH-165565-R1	1		Terminal, Rectifier
	IH-1254850-C1	1		Insert
	712-3006	1	/P	Nut, 1/4 Type 5
	726-3011	2		Strap, Cable Lock
	726-3006	3		Clip, Cable, Pedestal Lf Bolt & Inst Panel
	712-3006	1	/P	Nut, 1/4 Type 5
	726-3015	2	S	Clip, Cable, Taillight, Mag Sw
	726-3013	1		Clip, Cable, Strg Gear Brkt
	726-3014	3	S	Clip, Cable, Grille Top & Taillight
	IH-172427	1		Screw, 1/4 X 1/2 H/Hd Tap
	726-3007	1		Clip, Cable, PTO Clutch
	726-3015	1	S	Clip, Cable, LH Grille Hsg
		1		Screw, 5/16 X 1/2 H/Hd Tap (Common Hardware, Purchase Locally)
	726-3008	3	/P	Clip, Cable, Heat Shield & Frame
	710-3039	2	/P	Bolt, 5/16 X 1/2 Type 5
	712-0267	2	S	Nut, 5/16 Type 5
9		1		Not used in this application
10	725-0222	2	S	Light, Sealed Beam Head
11	710-3003	4	/P	Screw, Headlight Mtg
	712-0142	4	/P	Nut, No. 8 Mach Screw Type 1
12	703-0166	2	/P	Retainer, Headlamp
13	732-3011	2	S	Spring, Headlamp Retaining
14	725-3018	2		Lens Assy, Taillight
	710-3003	4	/P	Screw, Tapping
	736-3018	2		Washer, No. 8 Ext-Int Tooth Lock
	712-0142	4	/P	Nut, No. 8 Mach Screw Type 1
15	725-3019	2		Cable Assy, Taillight
16	725-3020	2	S	Bulb, Taillight #194
17	725-3001	1	S	Switch, Magnetic
	712-0267	2	S	Nut, 5/16 Type 5
	712-0349	1	/P	Nut, No. 10-NF Mach Screw Type 1
	712-3006	2	/P	Nut, 1/4 Type 5
18	725-3060	1	S	Switch, Neutral Start (Normally Open)
	735-3006	1	/P	Boot, Neutral Start Switch
19	725-3060	1	S	Switch, Neutral Start

Ref #	Part Number	Qty	S/P/F	Description
	735-3006	1	/P	Boot, Neutral Start Switch
20	725-3021	1	S	Switch, Battery Ignition Key
21	725-0201	1	S	Key, Ignition Switch
	736-0156	1	/P	Washer, .656 X 1.000 X .105
	712-3013	1	/P	Nut, Battery Ignition Switch
22	725-3022	1	S	Switch, PTO (Two Switches are required with Rear IPTO)
	736-3003	1	/P	Washer, .531 X .688 X .054 Pln
	712-3014	1	/P	Nut, Switch
23		1		Not used in this application
	925-04164	1	/P	Relay Replaces 725-3040 in this application. Not Shown (Tractor w/Rear PTO)

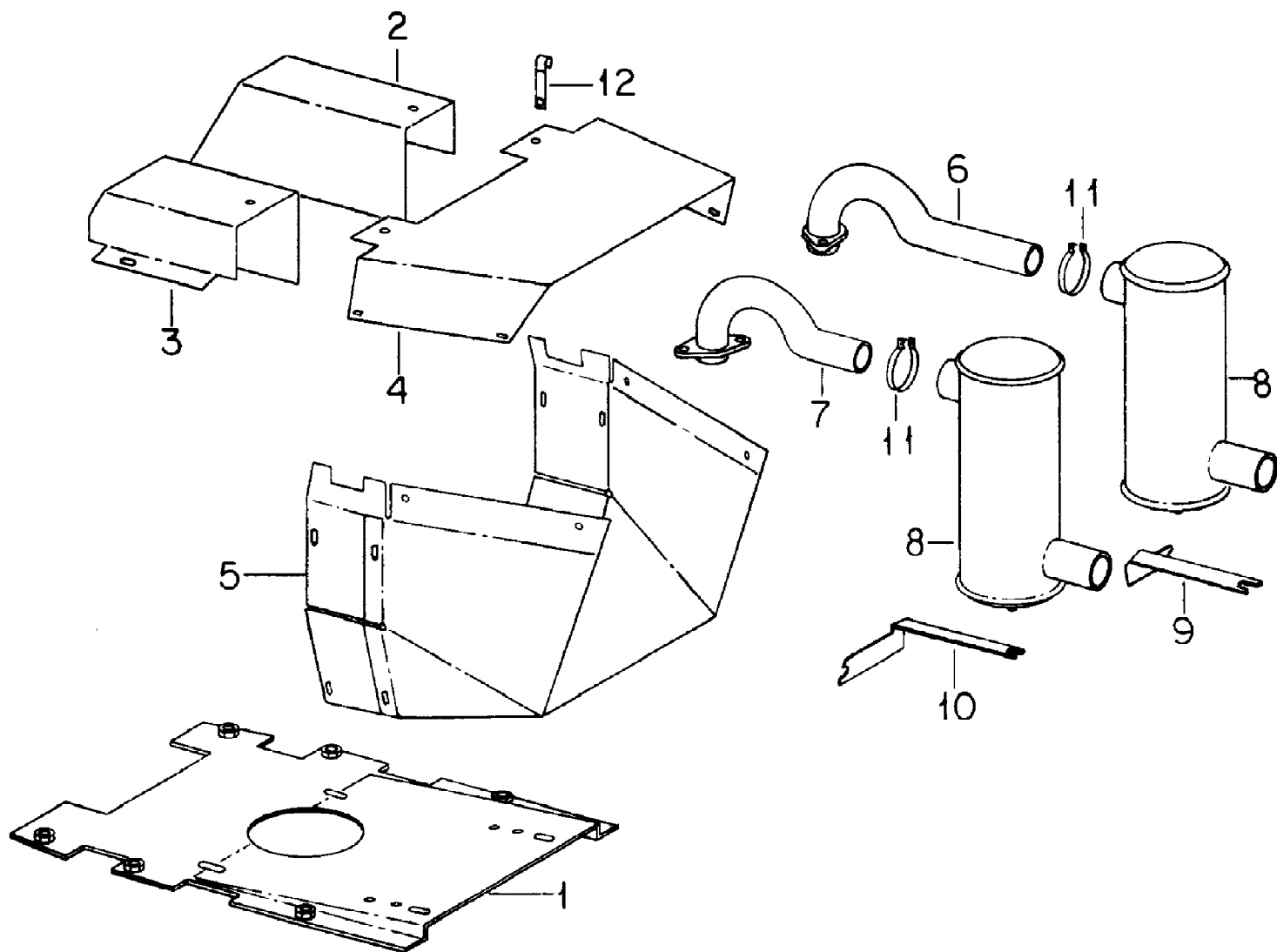




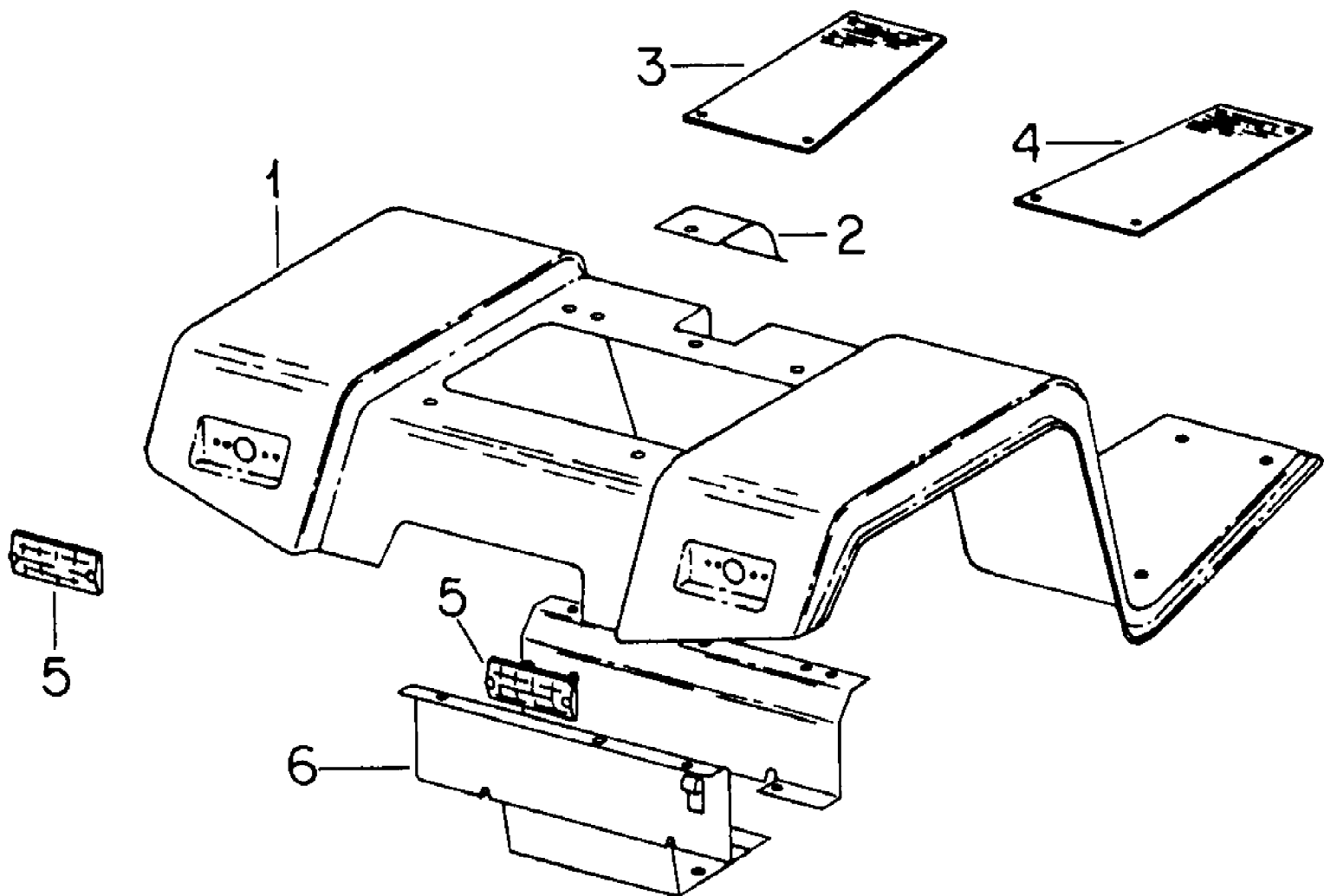
984  
Engine Base

Page 34 of 128

Ref #	Part Number	Qty	S/P/F	Description
1	ME-102-1216	1		Base, Oil
	736-0169	4	S	Washer, 3/8 Lock
		4		Bolt, 3/8 X 2-1/2 Type 5 (Common Hardware, Purchase Locally)
2	ME-102-1200	1	S	Gasket, Base
3	ME-123-1404	1		Gauge, Oil Filler
4	IH-78639-C1	1		O-Ring, Oil Filler Cap
5	ME-102-0938	1		Plug, Pipe Oil Drain
6	ME-102-0922	1		Plate, Oil Pickup
		3		Screw, No. 10-NF X 3/8 H/Whd Tap (Common Hardware, Purchase Locally)
7	ME-123-1467	1		Seal, Oil Pickup Cup
8	ME-134-3864	1		Baffle, Oil Base Air
		2		Screw, No. 10-NF X 3/8 H/Whd Tap (Common Hardware, Purchase Locally)
9	ME-102-0743	1		Gasket



Ref #	Part Number	Qty	S/P/F	Description
	752-3003	1		Engine Assy, 19.9 Hp (Onan)
	ME-110-3424-03	1		Block, Short
	710-0502A	2	/P	Screw, 3/8 X 1-1/4 H/Hd Tap
	712-3005	2	S	Nut, 3/8 Flange Lock
	710-0520	2	/P	Bolt, 3/8 X 1-1/2 Type 5
1	703-0178	1	/P	Plate Assy, Eng Mtg
	710-0514	6	/P	Bolt, 3/8 X 1 Type 5
	736-0140	6	S	Washer, .406 X .812 X .051
2	703-0250	1		Cover Assy, Exhaust Tube, LH
3	703-0252	1		Cover Assy, Exhaust Tube, RH
4	703-0256	1		Duct, Top Cooling
	710-3017	2		Bolt, 3/8 X 1/2 Type 5
	736-0169	2	S	Washer, 3/8 Lock
5	703-0254	1		Duct Assy, Bottom Cooling
	710-3010	10	/P	Screw, 1/4-20 X 1/4 Hex Flange Lock
6	751-3019	1		Tube Assy, Exhaust, LH
	ME-154-2746	1		Gasket, Exhaust
	736-0119	2	S	Washer, 5/16 Lock
	710-0118	2	S	Bolt, 5/16 X 3/4 Type 5
7	751-3022	1		Tube Assy, Exhaust, RH
	ME-154-2746	1		Gasket, Exhaust
	736-0119	2	S	Washer, 5/16 Lock
	710-0118	2	S	Bolt, 5/16 X 3/4 Type 5
8	751-3024	2	/P	Muffler
9	703-0257	1		Support, Muffler, RH
10	703-0258	1		Support, Muffler, LH
	712-3005	2	S	Nut, 3/8 Flange Lock
11	726-3017	2		Clamp, Muffler
	710-0161	2	S	Bolt, 5/16 X 1-1/4 Crg Type 1
	712-0267	2	S	Nut, 5/16 Type 5
	712-3004	2	S	Nut, 5/16 Flange Lock
	703-0259	1		Bracket, Muffler, LH
12	726-3009	1		Clip
	ME-403-1523	2		Bracket, Lifting



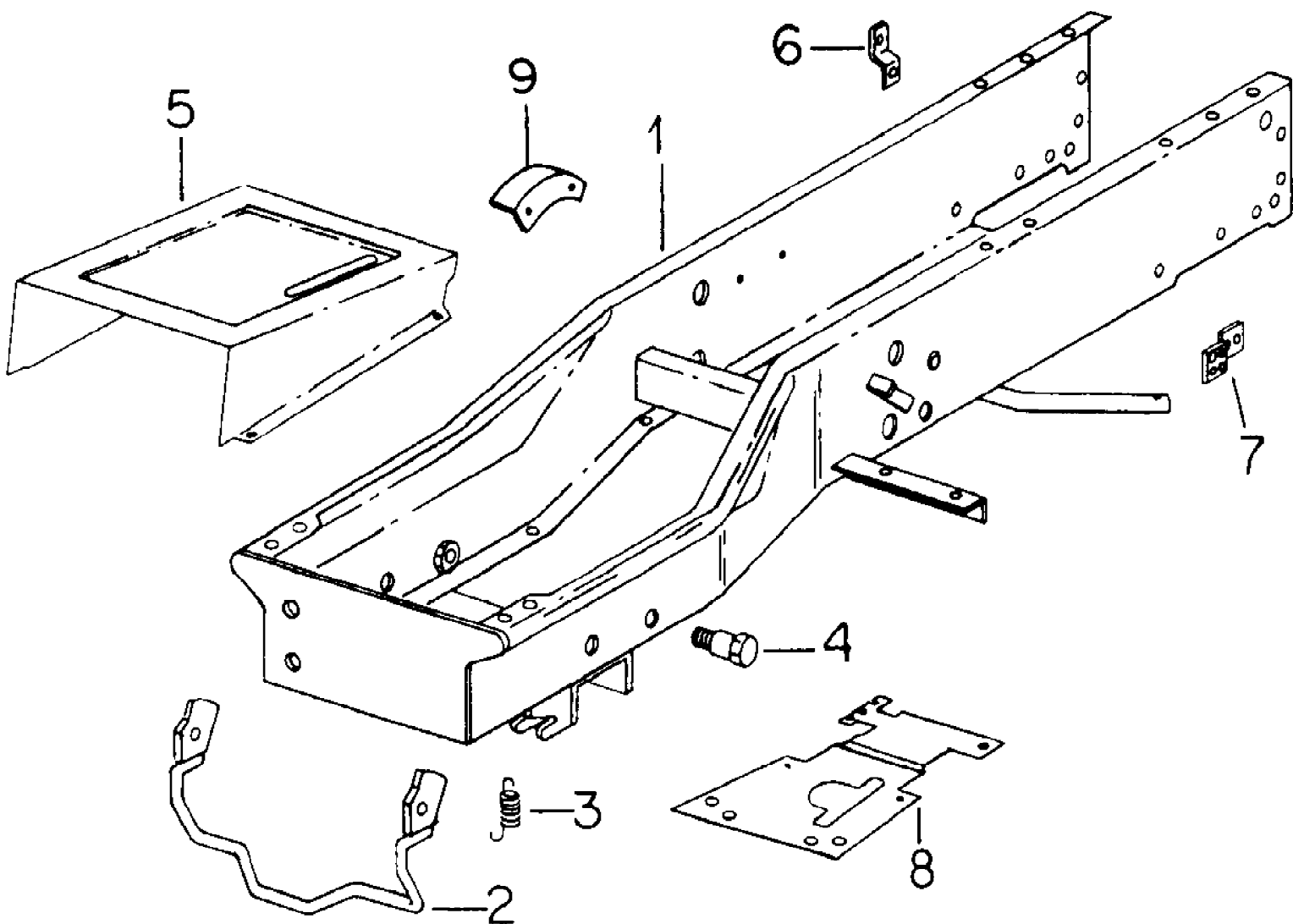
984  
Fenders

Page 38 of 128

Ref #	Part Number	Qty	S/P/F	Description
1	703-0064	1		Fender Assy
	710-3017	2		Bolt, 3/8 X 1/2 Type 5
	736-0169	2	S	Washer, 3/8 Lock
2	703-0067	1		Cover, Hydro Center
	710-3000	1	S	Bolt, 3/8 X 3/4 Type 5
	736-0140	1	S	Washer, .406 X .812 X .051
3	723-3006	1	/P	Tread, Platform, LH
	IH-535183-R2	3		Screw, Tapping
	712-3009	3	S	Nut, 5/16 Cad P/T Lock Type 5
	KH-25-086-10	1		Bolt
4	723-3007	1	/P	Tread, Platform, RH
	IH-535183-R2	3		Screw, Tapping
	KH-25-086-10	1		Bolt
	712-3009	3	S	Nut, 5/16 Cad P/T Lock Type 5
5		1		Not used this application
6	703-0262	1		Support Assy, Fender
	710-0118	4	S	Bolt, 5/16 X 3/4 Type 5
	736-0275	4	S	Washer, 11/32 X 3/4 X 16 Ga C-Z

984  
Frame

Page 39 of 128



984  
Frame

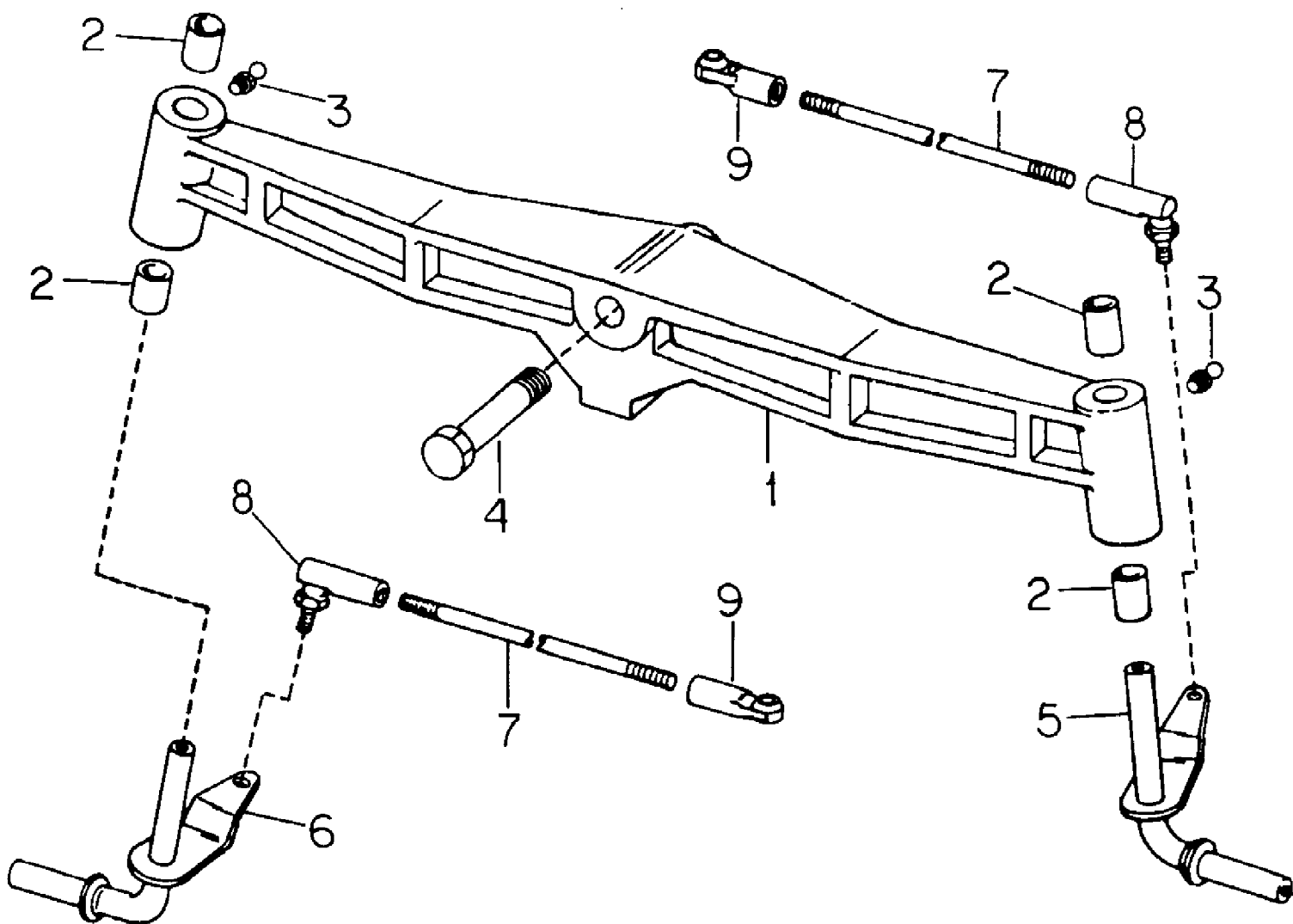
Page 40 of 128

Ref #	Part Number	Qty	S/P/F	Description
1	703-0234	1		Frame Assy
	711-3005	2	/P	Bushing, Frt Axle Pivot Pin
	711-3009	1		Hub, Cam Stop
2	703-1726	1	S	Latch Assy, Quick
	711-3010	2	S	Pin, 3/8 X 1.060 Clevis
	714-0507	2	S	Pin, 3/32 X 3/4 Cot
3	732-3002	1	S	Spring, Latch
4	738-3001	2	S	Bolt, Implement Mtg Shoulder
	736-0272	2	S	Washer, Implement Mtg
	736-3003	2	/P	Washer, .531 X .688 X .054 Pln
5	759-3091	1		Cover w/Product Graphic (Serial Number 719999 and Below)
	759-3086	1		Cover w/Product Graphic (Serial Number 720000 and Above)
	710-3007	4	/P	Screw, No. 12 X 3/8 H/Whd Tap
	779-3027	1		Product Graphic, Caution (Serial Number 719999 and Below)
	779-3208	1		Product Graphic, Caution (Serial Number 720000 and Above)
6	703-0832	1		Bracket, Trans Mounting, RH (Serial Number 720000 and Above)
7	703-0247	2		Bracket, Trans Mounting, LH (Serial Number 719999 and Below)
	703-0833	1		Bracket, Trans Mounting, LH (Serial Number 720000 and Above)
	710-0514	4	/P	Bolt, 3/8 X 1 Type 5
	710-3000	4	S	Bolt, 3/8 X 3/4 Type 5
8	703-0246	1		Screen, Lower Frame
	710-0776A	4	S	Screw, 1/4 X .62 H/Whd Tap
9		1		Not used in this application



984  
Front Axle

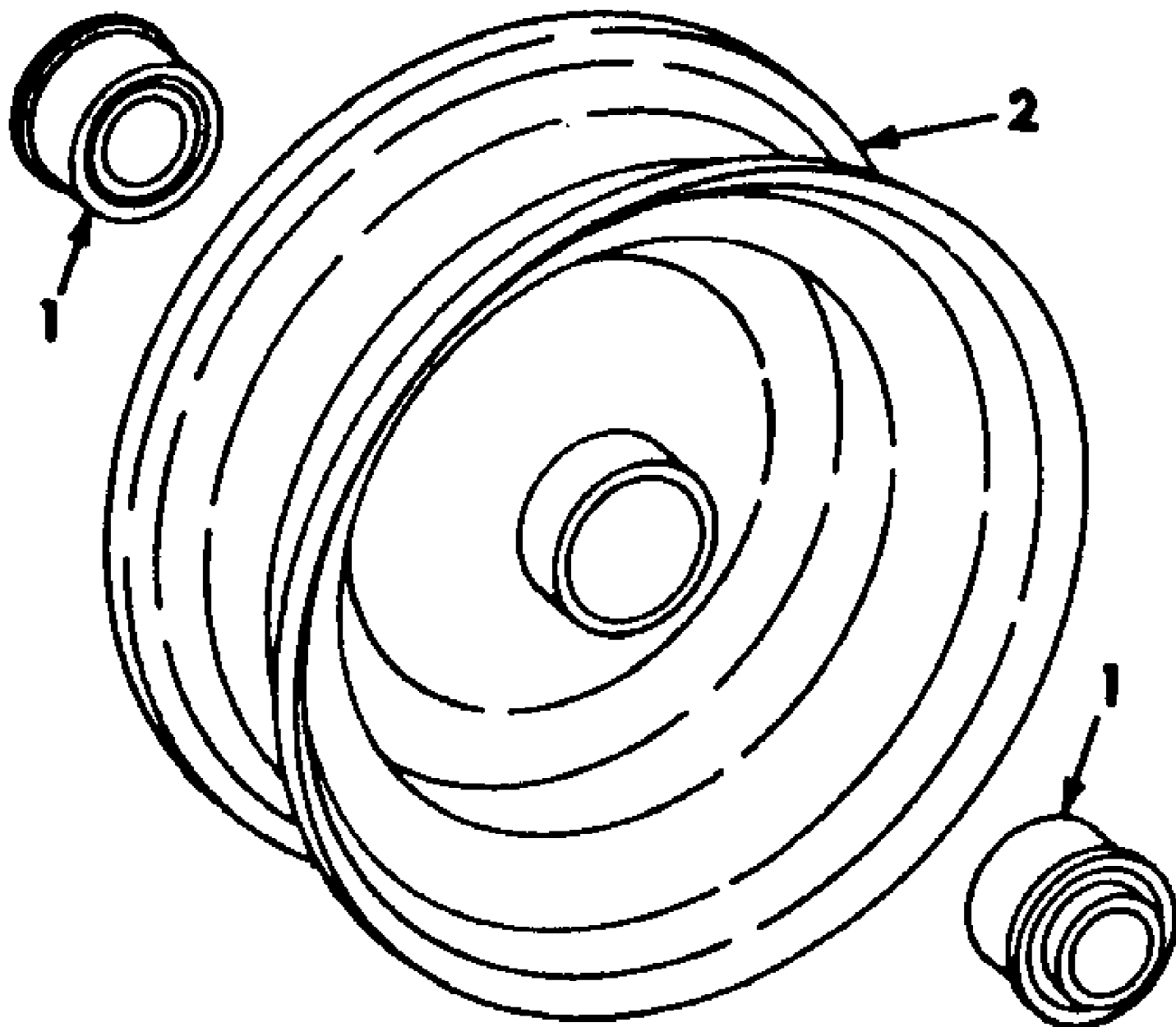
Page 41 of 128



984  
Front Axle

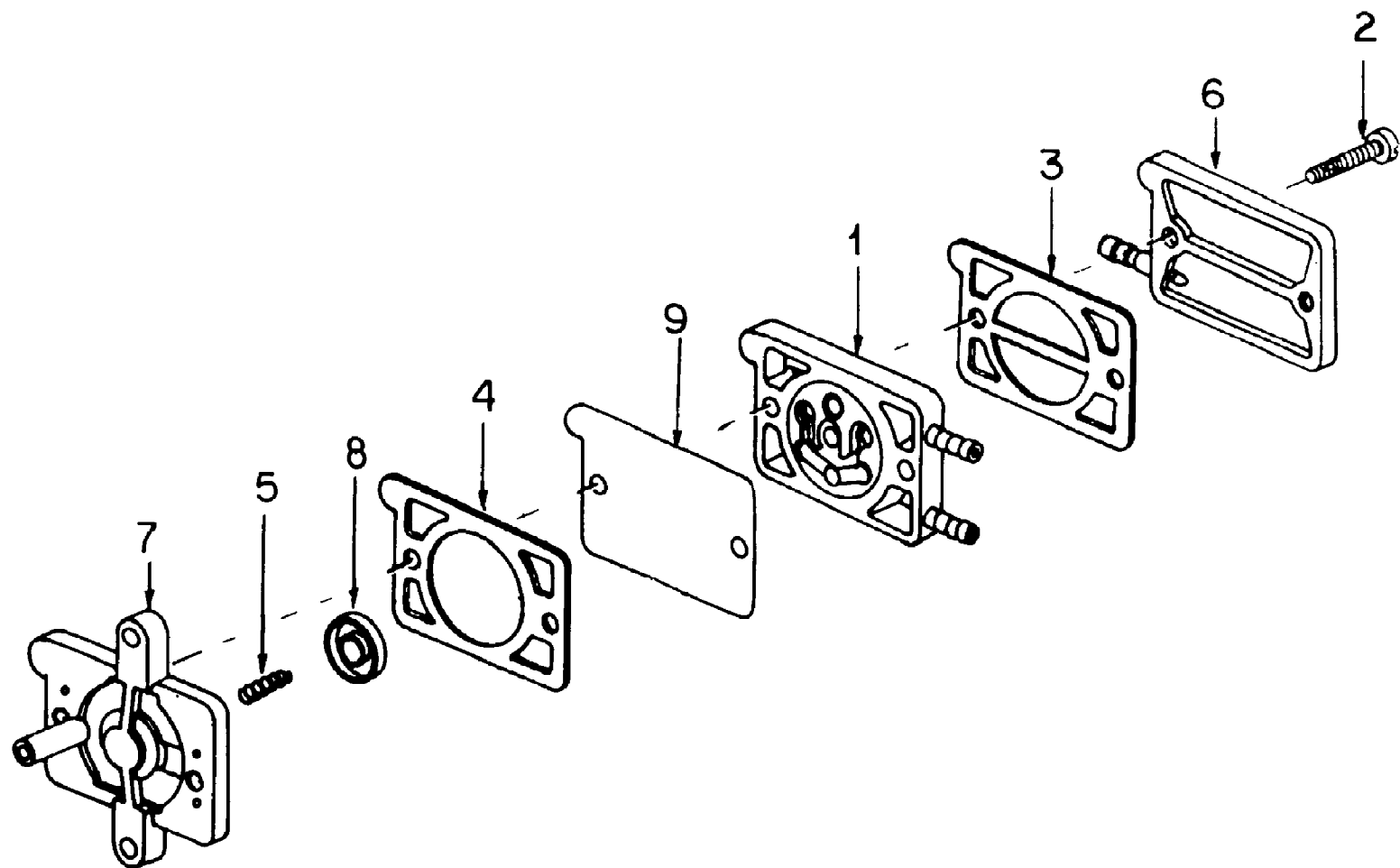
Page 42 of 128

Ref #	Part Number	Qty	S/P/F	Description
1	759-3271	1		Axle Assy w/Bushing Front
2	741-3005	4		Bushing
3	737-3000	3	S	Fitting, 3/16 Drive Type Str Lub
4	710-3019	1	/P	Bolt, Axle Pivot (Replaces IH-140218-C1 by also ordering (1) Bolt IH-223478-C1 and (2) Washe
	712-3011	1		Nut, 3/4 Slit Type 5
	714-3001	1	S	Pin, 1/8 X 1-1/2 Pln Cot
5	703-0273	1		Knuckle Assy, Steering, LH
	IH-Q3480	1		Washer, 1.031 X 1.500 X .105 Pln
	736-3027	1		Washer, .531 X 1.750 X .090
	710-3043	1		Bolt, 1/2 X 3/4 Type 5
6	703-0275	1	/P	Knuckle Assy, Steering, RH
	IH-Q3480	1		Washer, 1.031 X 1.500 X .105 Pln
	736-3027	1		Washer, .531 X 1.750 X .090
	710-3043	1		Bolt, 1/2 X 3/4 Type 5
	710-3044	2	S	Screw, Self Locking Hex Hd Cap
7	711-3053	2	/P	Rod, Tie
8	723-3015	2	S	Joint, Ball
	712-3029	2	/P	Nut, 1/2-NF Jam Type 5
	712-3012	2	S	Nut, 1/2-NF Slit Type 5
	714-3004	2		Pin, 3/32 X 1-1/4 Pln Cot
	736-0921	2	S	Washer, 1/2 Lock
9	723-3016	2	S	Joint, Ball
	710-3111	2	/P	Bolt, 3/8 X 1.5 DLD Pln Type 5
	714-0111	2	S	Pin, 3/32 X 1 Cot
	736-3027	2		Washer, .531 X 1.750 X .090



984  
Front Wheels

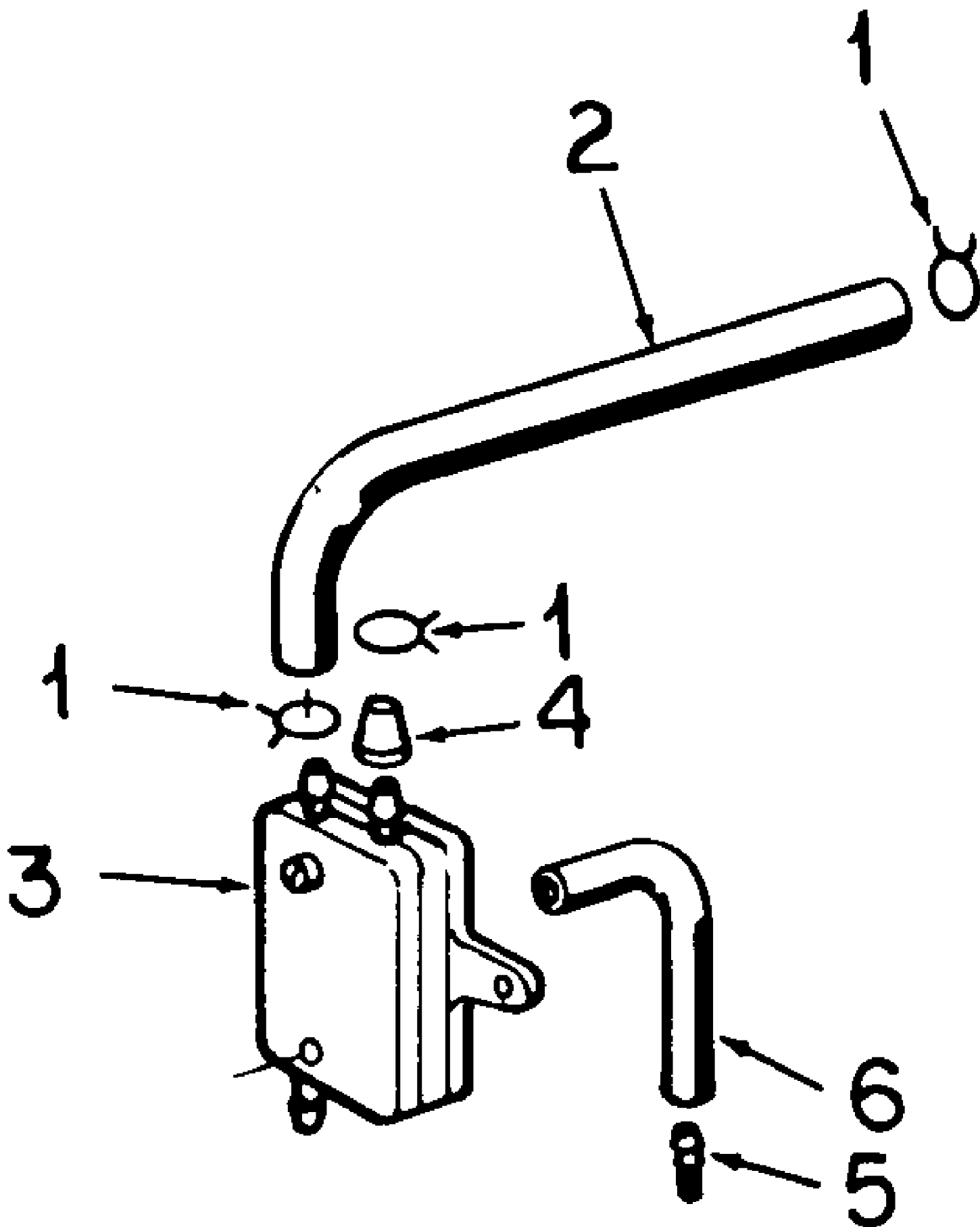
Ref #	Part Number	Qty	S/P/F	Description
1	741-3002	4	S	Bearing Assy, Front Wheel
2	734-3020	2		Wheel Assy, Front (7 X 8 DC Rim)
	734-0255	2	S	Valve, TR-413 Tubeless Type



984  
Fuel Pump

Page 46 of 128

Ref #	Part Number	Qty	S/P/F	Description
	ME-149-1982	1	/P	Pump Assy, Fuel
1	ME-142-0634	1		Valve Assy, Reed
2	ME-142-0540	2		Screw, Pump Cover to Body
3	ME-149-1323	1		Gasket, Cover to Valve
4	ME-142-0541	1		Gasket, Pump Cover
5	ME-142-0545	1		Spring, Fuel Pump
6	ME-149-1326	1		Cover, Pump
7	ME-149-1324	1		Base, Pump
8	ME-142-0552	1		Plate, Drive
9	ME-142-0555	1		Diaphragm

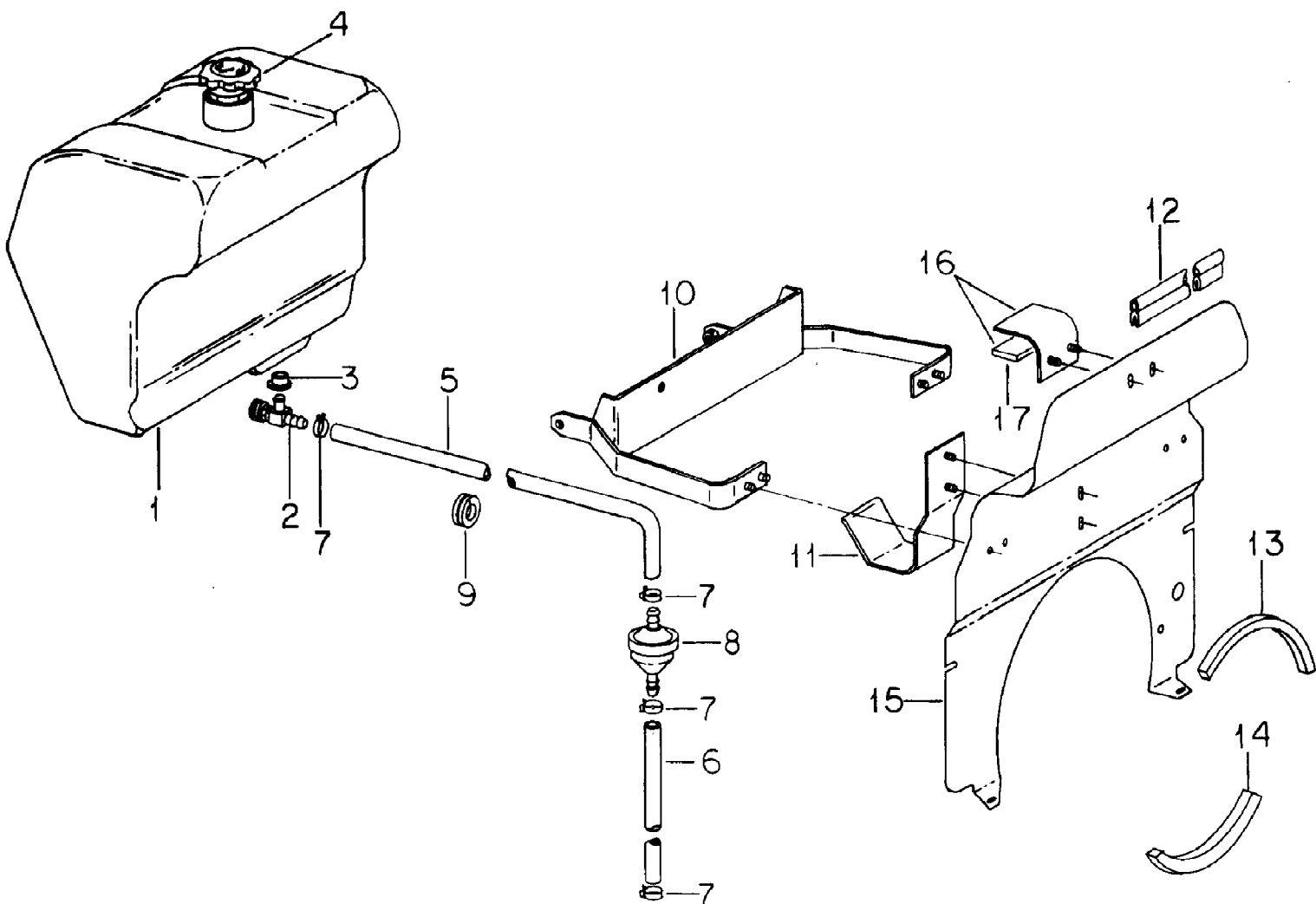


984  
Fuel Pump & Connections

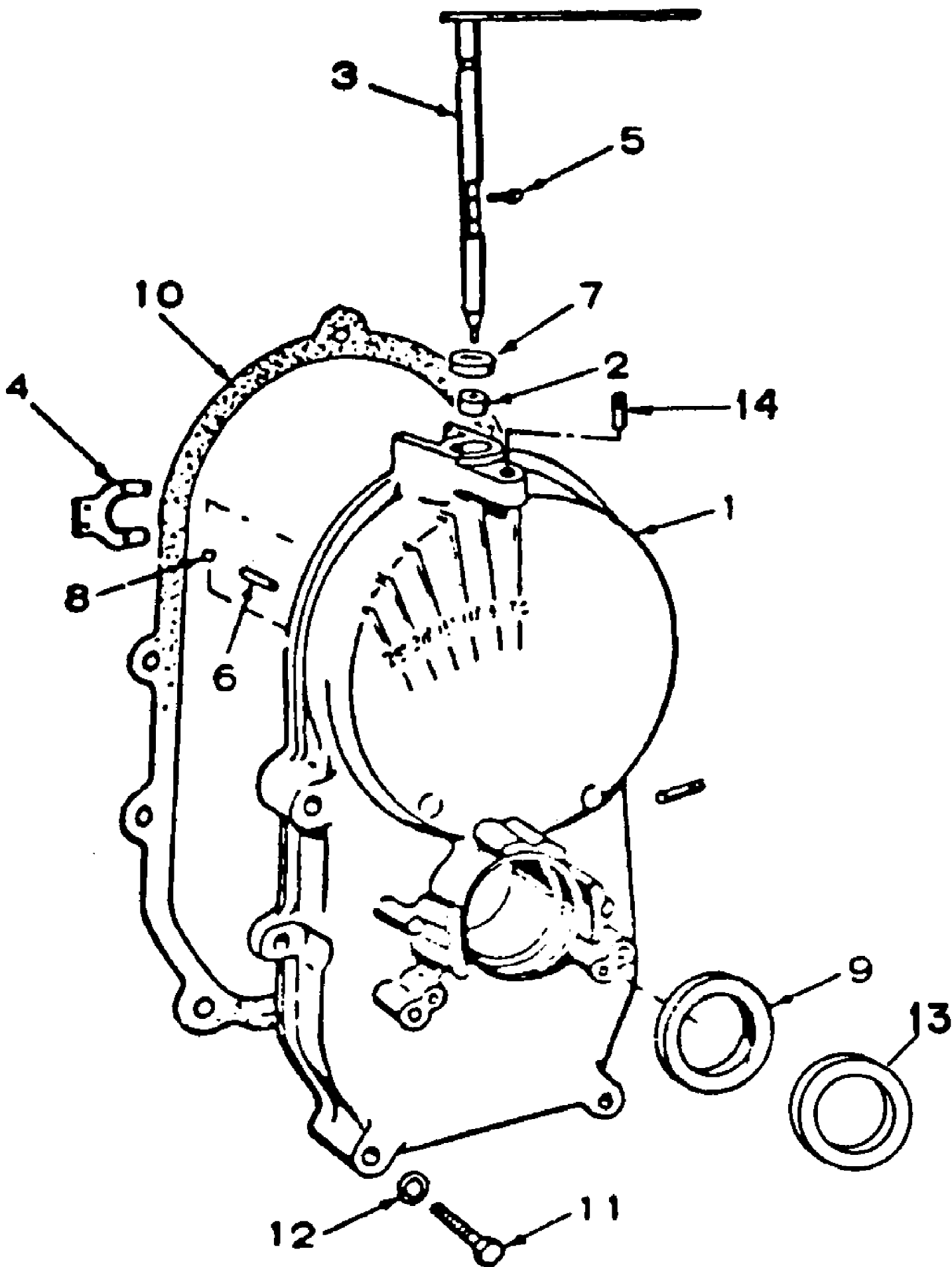
Page 48 of 128

Ref #	Part Number	Qty	S/P/F	Description
1	723-0157	3		Clamp, Hose
2	ME-503-1199	1		Hose, Fuel Line
3	ME-149-1982	1	/P	Pump Assy, Fuel (For list of serviceable parts see Fuel Pump listing this section)
4	ME-149-1321	1		Cap, Fuel Outlet
5	IH-78689-C1	1		Tube, Vacuum Port
6	ME-503-0707	1	S	Line, Impulse





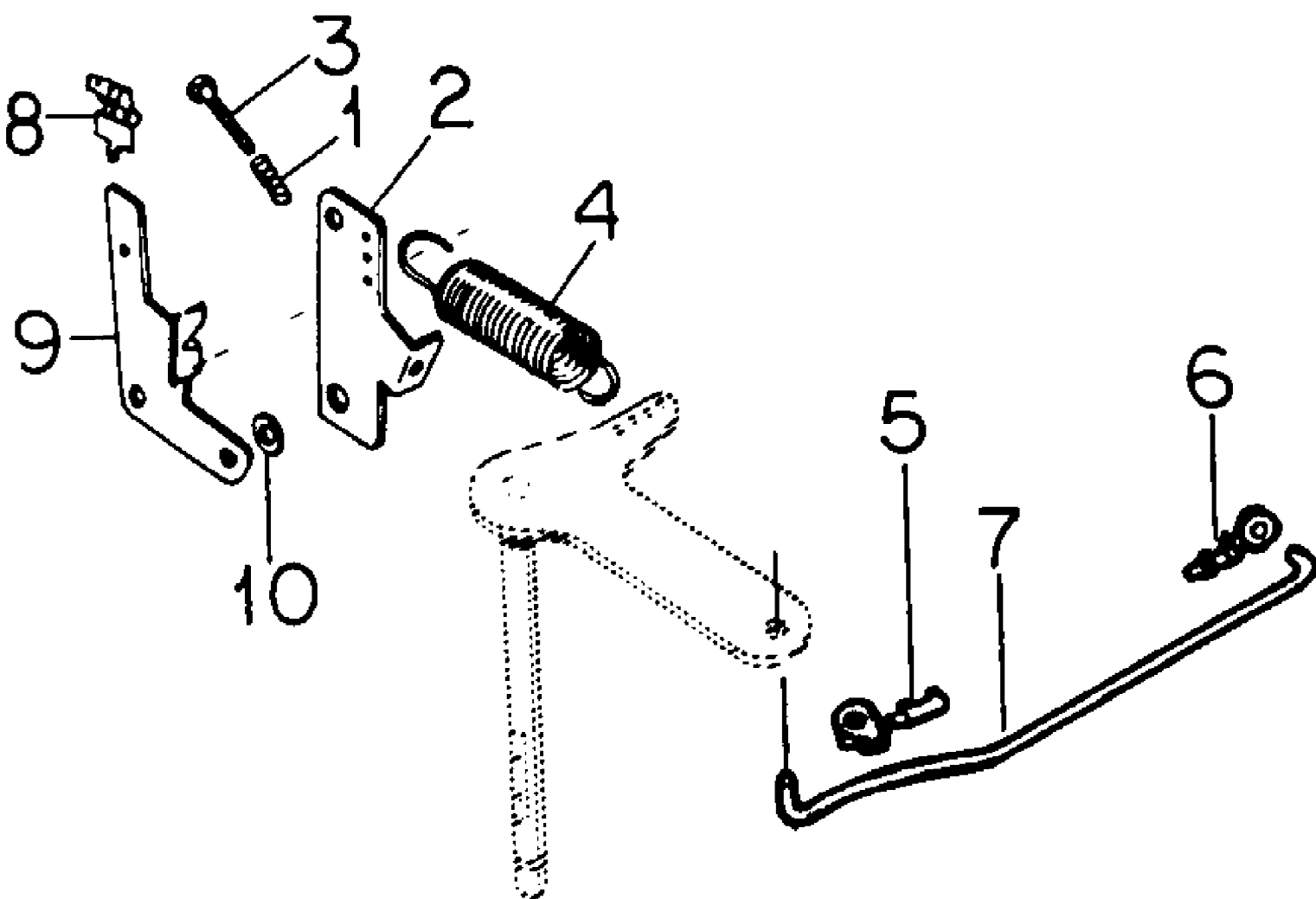
Ref #	Part Number	Qty	S/P/F	Description
1	751-3006	1		Tank, Fuel
2	751-0171	1	S	Valve, Shut-Off
3	751-3008	1	S	Bushing
4	751-0226A	1	S	Cap w/Gauge (Replaces IH-135348-C1 by also ordering Gasket IH-106303-C1)
	723-3003	1	/P	Gasket, Fuel Cap
5		1		Line, Fuel (Tractors w/Fuel Filter Furnish 457 MM 1/2 OD Hose from Bulk Hose marked 759-3330)
5		1		Line, Fuel (Tractors w/o Fuel Filter Furnish 610 MM 1/2 OD Hose from Bulk Hose marked 759-3330)
6		1		Line, Fuel (Tractors w/Fuel Filter Furnish 610 MM 1/2 OD Hose from Bulk Hose marked 759-3330)
7	726-0205	AR	/P	Clamp, Hose
8	751-3013	1	S	Filter, Fuel (Serial No. 700499 and Below)
9	735-3003	1		Grommet
10	703-0049	1		Support Assy, Fuel Tank
	712-3006	4	/P	Nut, 1/4 Type 5
	710-3013	2	/P	Bolt, 1/4 X 1/2 Type 5
	736-0463	2	S	Washer, .281 X .625 X .051
11	703-0052	1		Support Assy, Fuel Tank Bottom
	736-0275	2	S	Washer, .344 X .688 X .051
	712-3007	2	/P	Nut, 5/16 Jam Type 5
12	723-3004	1	/P	Seal, Heat Baffle
13	723-3017	1		Strip, Foam Gasket Forming
	710-0376	2	/P	Bolt, 5/16 X 1 Type 5
	736-0275	3	S	Washer, .344 X .688 X .051
14		1		WHEEL-4.80/4.00 Not used in this application
15	703-0055A	1		Deflector, Heat
16	703-0057	1		Clamp Assy, Fuel Tank
17	735-3004	1		Strip, Fuel Tank Pad
	736-0463	2	S	Washer, .281 X .625 X .051
	712-3006	2	/P	Nut, 1/4 Type 5



984  
Gear Case

Page 52 of 128

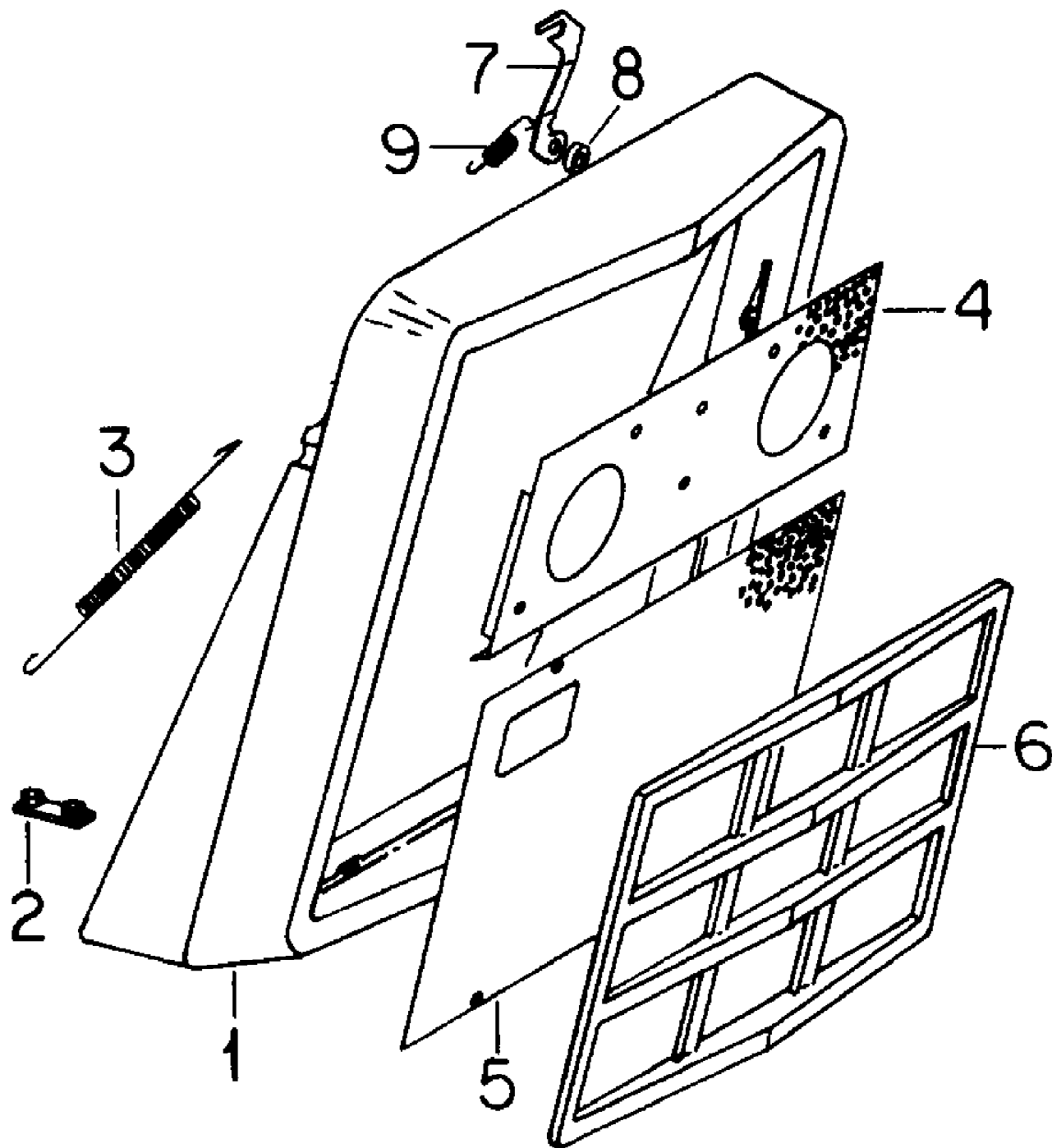
Ref #	Part Number	Qty	S/P/F	Description
1	ME-103-0669	1		Case Assy, Gear (Includes Ref No. 2 thru 9 and 13)
2	ME-114-0188	1		Bearing, Upper Gov Shaft Sleeve
3	ME-150-1470	1		Shaft Assy, Governor
4	ME-150-1187	1		Yoke, Governor Shaft
5	~NLA	2		Screw, No. 8 X 3/8 Znp P/Hdcr Mach
6	ME-516-0130	1		Pin, Roll
7	ME-509-0008	1		Seal, Gov Shaft Oil
8	ME-510-0014	1	/P	Bearing, Ball
9	ME-509-0040	1	/P	Seal, Oil
10	ME-103-0810	1	/P	Gasket, Gear Case
11	IH-25750-R1	4		Bolt, 5/16 X 1-3/4 Phc Type 8
	IH-79167-C1	1		Bolt, 5/16 X 2-3/4 Phc Special
12	IH-115308	5		Washer, Gear Case Mounting
13		1		Not used in this application
14	ME-149-1299	1		Tube, Vacuum Port



984  
Governor

Page 54 of 128

Ref #	Part Number	Qty	S/P/F	Description
1	IH-74249-C1	1		Spring, Idle Setting
2	ME-150-1576	1		Arm, Governor Control
	IH-161108-C1	2	S	Bolt, 1/4 X 1/2 Flange Lock
	736-0463	1	S	Washer, .281 X .625 X .051
3	ME-815-5051	1		Screw, 6-32 X 7/8 Tap Hex Hd
4	ME-150-1214	1		Spring, Governor
5	ME-518-0406	1		Clip, Retaining
6	ME-518-0004	1		Clip, Retaining
7	ME-150-1729	1		Rod, Control
8	ME-153-0514	1		Clip, Cable
9	ME-150-1725	1		Bracket, Cable
10	ME-150-1269	1		Bushing, Control Arm



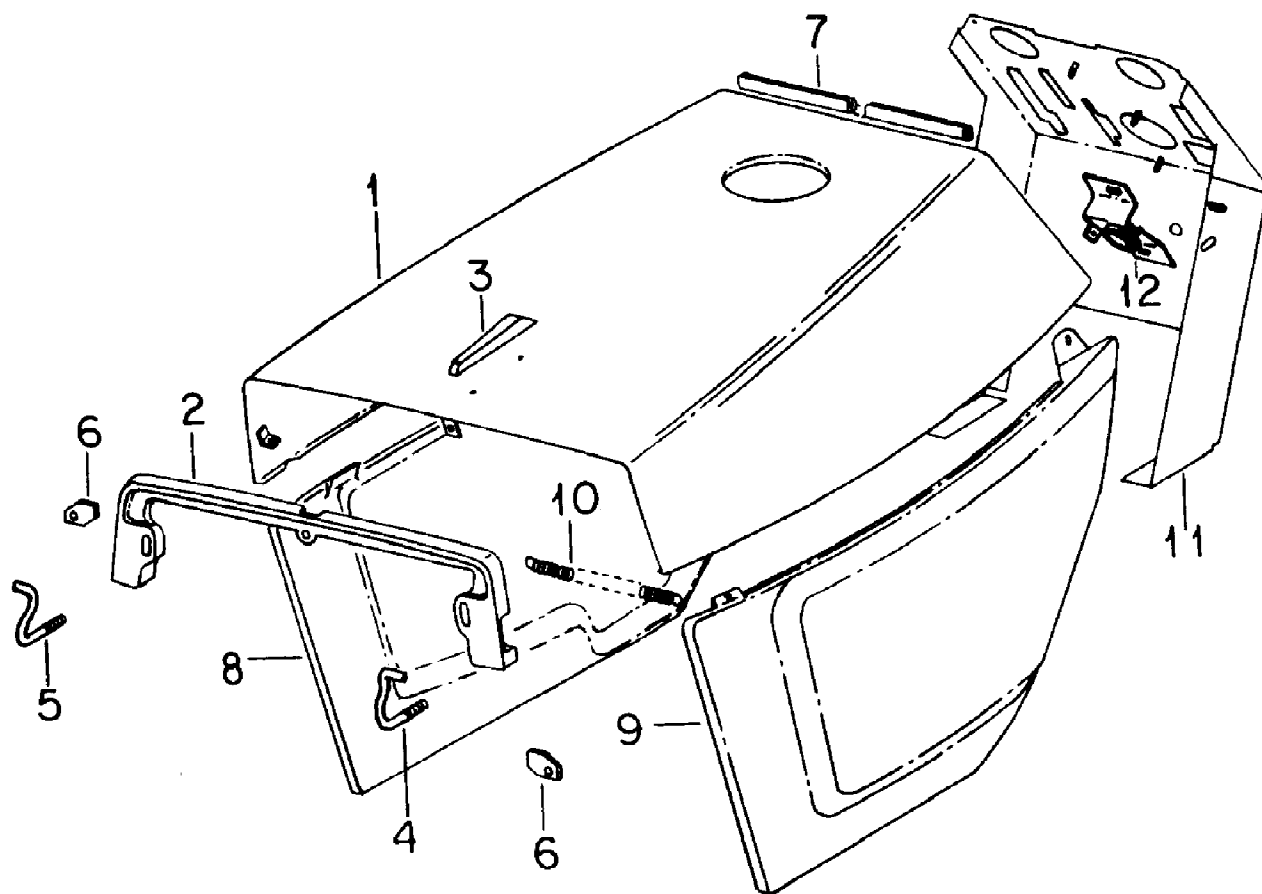
984  
Grille

Page 56 of 128

Ref #	Part Number	Qty	S/P/F	Description
1	719-3002	1		Housing, Grille
2	703-0008	2	/P	Retainer Assy, Grille Housing
	710-0376	2	/P	Bolt, 5/16 X 1 Type 5
	736-0119	4	S	Washer, 5/16 Lock
3	IH-104354-C1	2		Spring (For Tractors w/Serial No. 665000 and Below)
3	732-3001	2	S	Spring (For Tractors w/Serial No. 665001 and Above)
4	703-0165	1		Screen, Upper Grille
5		1		WHEEL-4.80/4.00 Not used in this application
6	719-3003	1		Grille
	710-3090	4		Screw, No. 8 X 3/8 H/Whd Tap (For Tractors w/Serial No. 665000 and Below)
7	703-0010	1	/P	Latch, Hood
	736-0275	1	S	Washer, .344 X .688 X .051
	710-3004	1	S	Screw, 5/16 X 3/4 H/Hd Tap
8	750-3000	1		Spacer, Hood Latch
9	732-3002	1	S	Spring



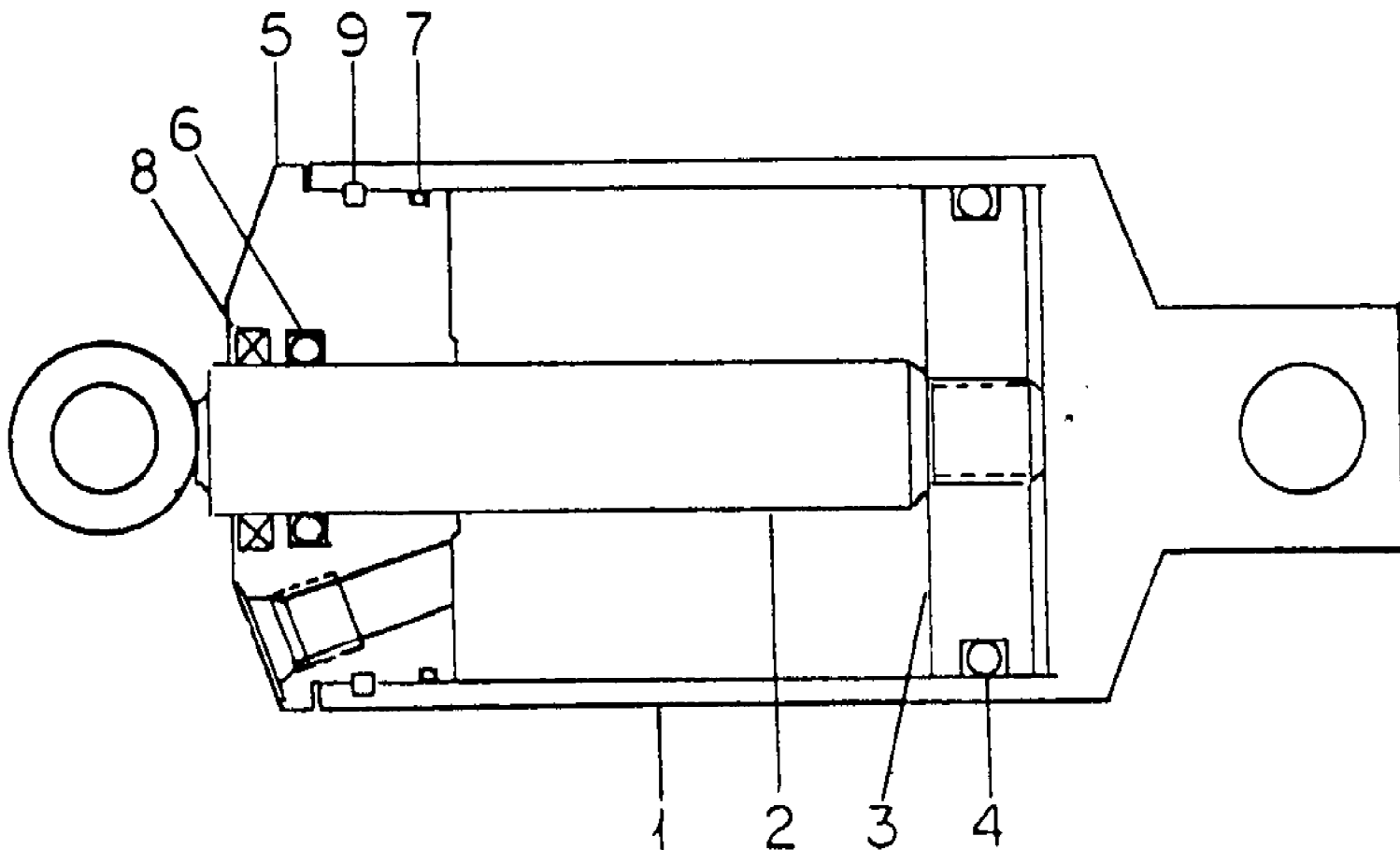
984  
Hood



984  
Hood

Page 58 of 128

Ref #	Part Number	Qty	S/P/F	Description
1	703-0059	1		Hood Assy
	736-3006	2	/P	Washer, 1/4 Ext Int Tooth Lock
	736-0463	2	S	Washer, .281 X .625 X .051
	710-3015	1	/P	Bolt, 1/4 X 3/4 Type 5
	712-3006	1	/P	Nut, 1/4 Type 5
	710-0578	2	/P	Screw, 1/4 X 1-1/2 Znp P/Hdcr Mach
2	719-3005	1		Support, Hood
3	731-3059	1		Ornament, Hood
	710-3016	2		Screw, No. 8-18 X 1/4 P/Hdcr Tap
4	747-3009	1	/P	Hinge, LH Hood
5	747-3010	1	S	Hinge, RH Hood
6	703-0063	2	/P	Plate, Hood Hinge
	710-3004	2	S	Screw, 5/16 X 3/4 H/Hd Tap
	736-0140	4	S	Washer, .406 X .812 X .051
	712-0342	4	/P	Nut, 3/8 Jam Type 5
7	731-3003	1	S	Seal, Edge
8	703-0082B	1		Panel, RH Side
9	703-0081B	1	S	Panel, LH Side
	736-0463	2	S	Washer, .281 X .625 X .051
	712-3044	2		Nut, 1/4 Wing
10	732-3006	1	S	Spring, Side Panel
11	703-0046	1		Pedestal Assy
	710-3039	4	/P	Bolt, 5/16 X 1/2 Type 5
12	703-0260	1		Support Assy, Steering Column (Replaces 703-0048)
	736-0463	2	S	Washer, .281 X .625 X .051
	712-3006	3	/P	Nut, 1/4 Type 5
	710-3042	1		Bolt, 1/4 X 1 Crg Type 5



984  
Hydraulic Cylinder-Cessna

Page 60 of 128

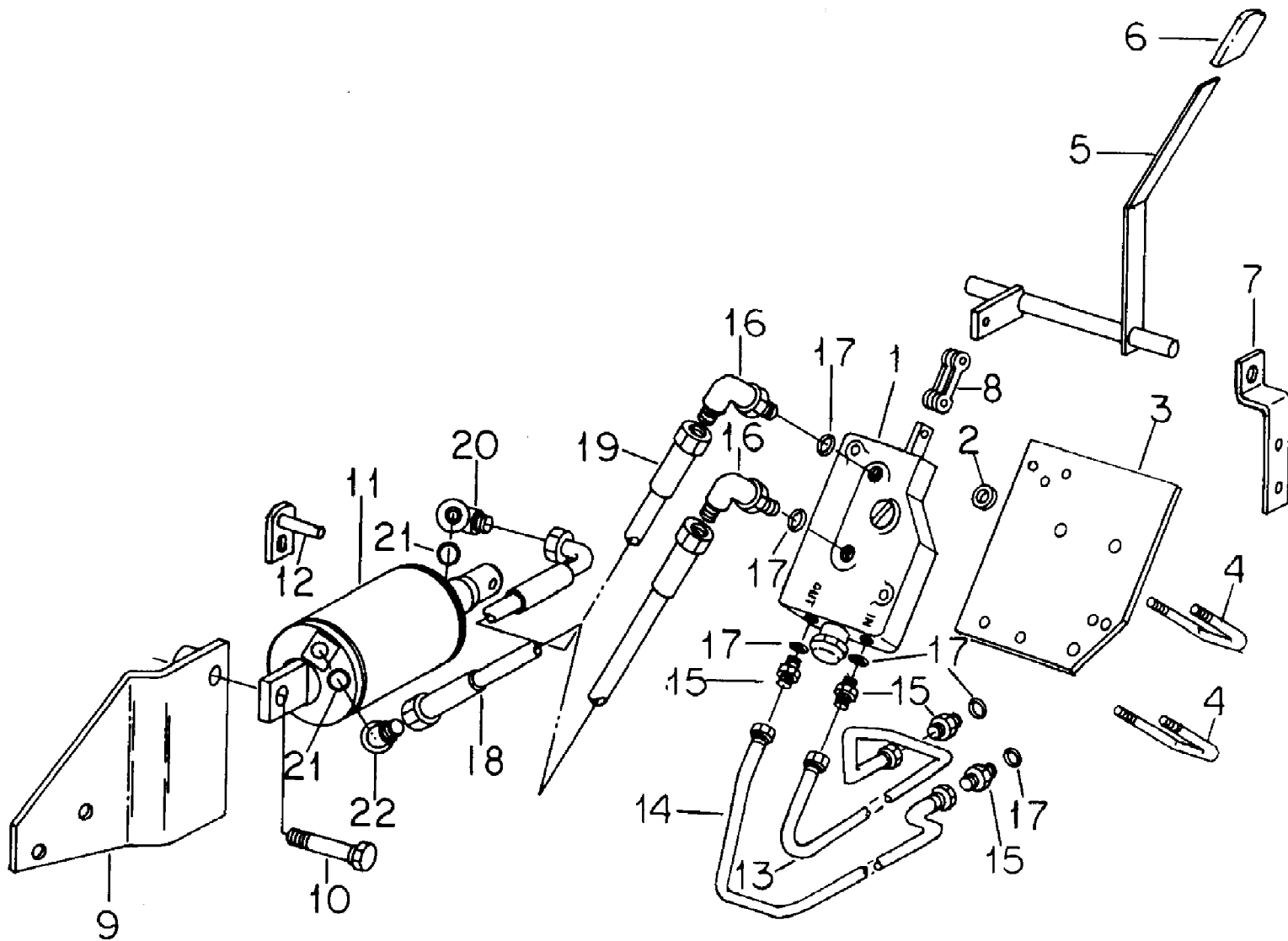
Ref #	Part Number	Qty	S/P/F	Description
	IH-224494-C91	1	S/F	Cylinder Assy, Hydraulic 63.40 X 59.7 (Includes Ref No. 1 thru 9)
1	IH-138160-C1	1		Body Assy, Hyd Cyl
2		1		Rod Assy, Hydraulic Cylinder Piston (Order Complete Cylinder Part No. 717-3005)
	IH-71327-R1	1		Bushing, Hyd Cylinder Piston Rod End
3	IH-224498-C1	1		Piston, Hyd Cylinder
4		1		O-Ring, 2-1/8 X 2-1/2 X 3/16, Hyd Cyl Piston (Order Kit 759-3431)
5	IH-138162-C1	1		Head, Hyd Cyl Front
6		1		O-Ring, 3/4 X 1 X 1/8, Hyd Cyl Piston Rod (Order Kit 759-3431)
7		1		O-Ring, 2-5/16 X 2-1/2 X 3/32 Hyd Cyl Front Head (Order Kit 759-3431)
8		1		Seal, Hyd Cyl Piston Rod Wiper (Order Kit 759-3431)
9		1		Retainer, Hyd Cyl Front Head (Order Kit 759-3431)
	759-3431	1	/P	Kit, Hyd Cylinder Service (Includes Ref No. 4, 6, 7, 8 & 9)



984  
Hydraulic Front Outlet Unit

Page 62 of 128

Ref #	Part Number	Qty	S/P/F	Description
1	717-3025	1	/P	Valve Assy, Control
	712-3006	3	/P	Nut, 1/4 Type 5
	710-0606	3	/P	Bolt, 1/4 X 1-1/2 Type 1
	750-3008	2		Spacer, .375 X .405 X .269 Std Pipe
2	713-3000	1	S	Link, Chain
3	727-3012	2	/P	Elbow, 90 Deg Tube
4	727-3003	2		Elbow, 90 Deg Tube
5	721-3001	4	/P	O-Ring, 3/8 OD Tube
6	727-3014	2	/P	Body, Hydraulic Coupling
7	716-3014	2		Ring, External Retaining
8	731-3022	2	/P	Plug, Protective
	714-3014	1		Pin, 3/16 X 3/4 Pln Cot
9	703-0455	1		Handle Assy, Valve
10	720-3004	1		Grip
11	727-3018	1		Tube Assy, Pressure
12	727-3019	1		Tube Assy, Return
	735-3007	1	S	Pad, Bumper
	726-3011	1		Strap, Cable Lock
13	727-3017	2		Hose, Pressure Supply
	726-3011	2		Strap, Cable Tie
14		1		Not used in this application
	759-3434	1		Kit, Seal
	759-3435	1		Kit, Spring Centering (Also order four O-Rings IH-350429-R1)

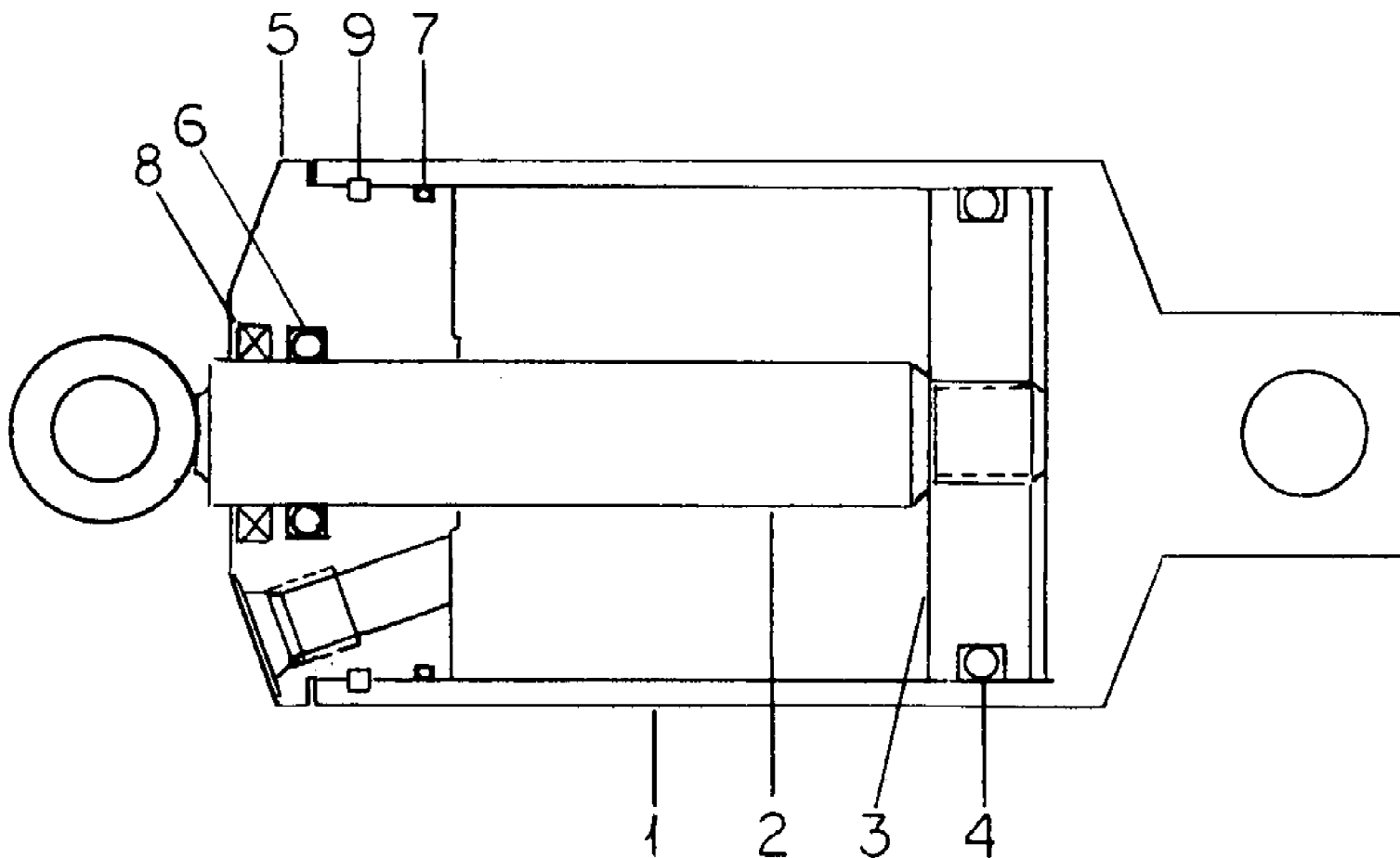


984  
Hydraulic Lift

Page 64 of 128

Ref #	Part Number	Qty	S/P/F	Description
1	717-3004	1		Valve Assy, Control
2	750-3008	2		Spacer, 1/8 X .375 Std Pipe
3	703-0170	1		Plate, Valve Support
4	747-3016	2		Clamp
	712-0237	4	S	Nut, 5/16-NF Cad P/T Lock Type 5
	710-0641	2	/P	Bolt, 1/4 X 2-1/4 Type 1
	712-3006	2	/P	Nut, 1/4 Type 5
5	703-0171	1		Handle Assy, Valve
6	720-3004	1		Grip
7	703-0186	1		Support, Valve Handle
	710-3013	2	/P	Bolt, 1/4 X 1/2 Type 5
	712-3006	2	/P	Nut, 1/4 Type 5
8	713-3000	1	S	Link, Chain
9	703-0174	1		Bracket Assy, Cylinder
10	738-3008	1		Bolt, Shoulder
	736-0272	3	S	Washer, .531 X 1.062 X .134 Hdn
	710-3032	2	/P	Bolt, 1/2 X 1-1/4 Type 5
	IH-9413967	3		Nut, 1/2 Cad P/T Lock Type 5
11	717-3005	1	/P	Cylinder Assy, Hyd
12	703-0176	1	/P	Pin Assy, Lift
13	727-3010	1		Tube Assy, Pressure
14	727-3011	1		Tube Assy, Return
	735-3007	1	S	Pad, Bumper
	726-3011	1		Strap, Cable Lock
15	727-3002	4	S	Connector, 37 Deg Flared Swivel Tube
16	727-3003	2		Elbow, 3/8 to 1/4 Reducer
17	721-3001	6	/P	O-Ring, 3/8 OD Tube
18	727-3031	1	/P	Hose, Extending
19	727-3005	1		Hose, Retracting
20	727-3006	1	/P	Elbow, 90 Deg Tube
21	721-3002	2	/P	O-Ring, 1/4 OD Tube
22	727-3007	1	/P	Elbow, 45 Deg Tube

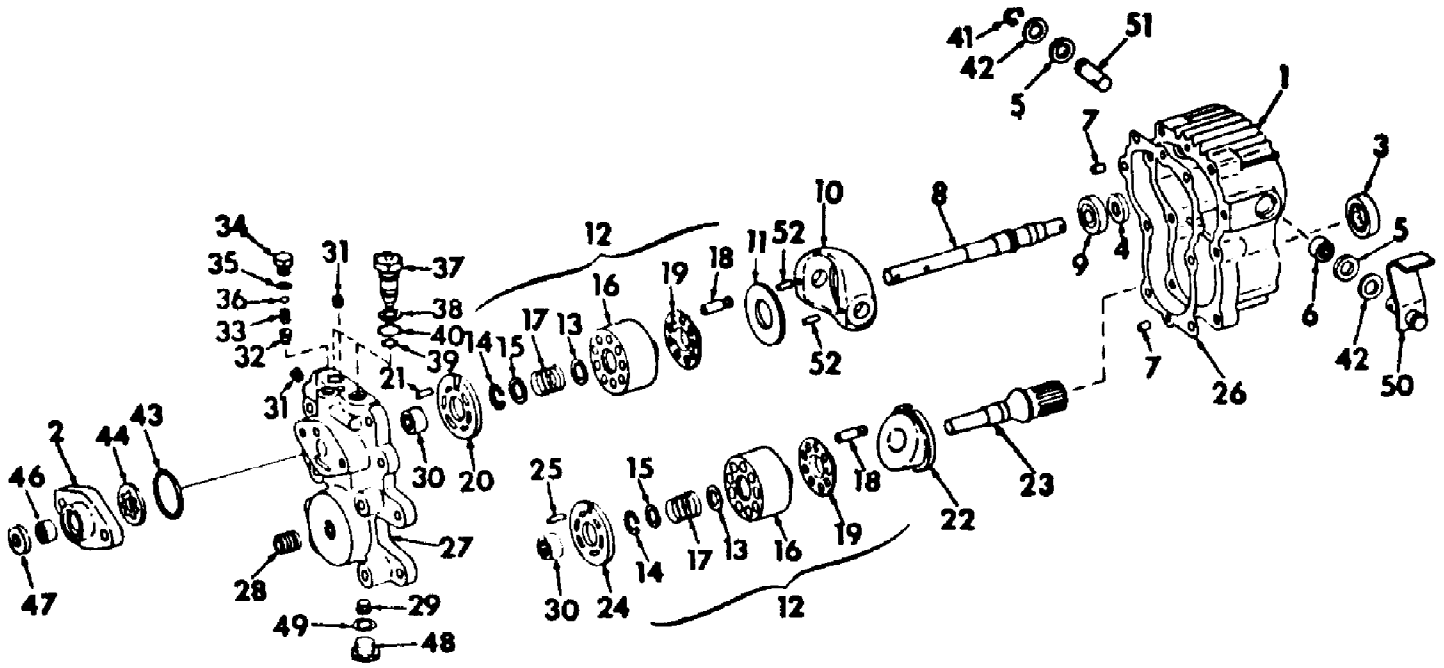




984  
Hydraulic Lift Cylinder

Page 66 of 128

Ref #	Part Number	Qty	S/P/F	Description
	IH-224494-C91	1	S	Cylinder Assy, Hydraulic 2.50 X 2.35 (Order Complete Cylinder Part No. 717-3005)
1	IH-138160-C1	1		Body Assy, Hyd Cylinder
2		1		Rod Assy, Hyd Cylinder Piston (Order Complete Cylinder Part No. 717-3005)
3	IH-224498-C1	1		Piston, Hyd Cylinder
4		1		O-Ring, 2-1/8 X 2-1/2 X 3/16, Hyd Cyl Piston (Order Kit 759-3431)
5	IH-138162-C1	1		Head, Hyd Cyl Front
6		1		O-Ring, 3/4 X 1 X 1/8, Hyd Cyl Piston Rod (Order Kit 759-3431)
7		1		O-Ring, 2-5/16 X 2-1/2 X 3/32 Hyd Cyl Front Head (Order Kit 759-3431)
8		1		Seal, Hyd Cyl Piston Rod Wiper (Order Kit 759-3431)
9		1		Retainer, Hyd Cyl Front Head (Order Kit 759-3431)
	759-3431	1	/P	Kit, Hyd Cylinder Service (Includes Ref No. 4, 6, 7, 8 & 9)



## Hydrostatic Transmission

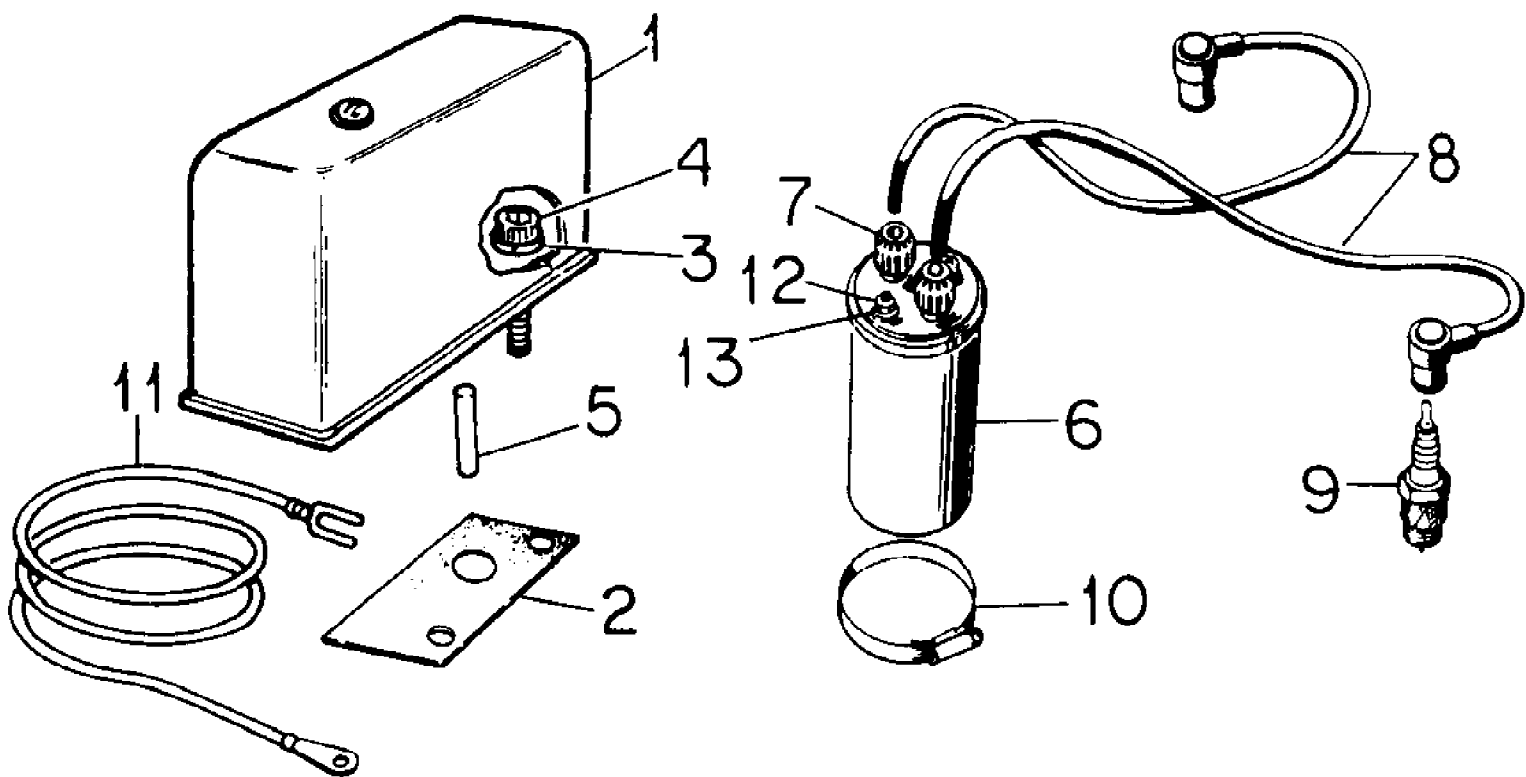
Ref #	Part Number	Qty	S/P/F	Description
	717-3034	1		Transmission Assy, Hydrostatic Drive
1	IH-145432-C1	1		Housing Assy
1	SU-3103069	1		Housing Assy
	SU-9007500-3722	2		Screw, 12 Point
2		1		Housing, Charge Pump Not Serviced Separately (Order Pump Kit SU-9510405-0003)
	SU-9007206-4428	2		Screw, Hex
	736-0171	2	S	Washer, Lock 7/16
3	SU-9001370-0003	1	/P	Bearing, Hyd Pump Shaft Roller
4	IH-177431-H1	1		Seal, Lip
5	SU-9008000-6701	2	/P	Seal, Lip
6	IH-529631-R91	2		Bearing, Needle
7	SU-9004800-2506	2	S	Pin, Transmission Housing
8	SU-3102989	1	/P	Shaft, Transmission Hyd Pump
9	IH-ST207	1	S	Bearing, Ball
10	IH-85046-C1	1		Swashplate, Hyd Pump
11	SU-3102020	1	/P	Plate, Hyd Pump Swashplate Thrust
12	SU-3103136	2	/P	Kit, Cylinder Block Motor and Pump
13	IH-405179-R1	2	/P	Washer, Spring Front
14	IH-317776-R1	2		Ring, Hyd Cyl Block Spring Rear Washer Snap
15	IH-394858-R1	2		Washer, Hyd Cyl Block Spring Rear
16		1		Block, Cylinder Not Serviced Separately (Order Cylinder Block Kit SU-3103136)
17	SU-3100120	2		Spring, Hyd Cylinder Block
18		1		Piston Assy, Hyd Pump and Motor Not Serviced Separately (Order Cylinder Block Kit SU-3103136)
19	SU-3100194	2	/P	Retainer, Hyd Piston Slipper
20	SU-3102731	1	/P	Plate, Hyd Cyl Block Valve
21	SU-9004800-1508	1	/P	Pin, Hyd Pump Cyl Block
22	SU-3100349	1		Swashplate, Hyd Motor (Order service kit SU-9510735)
23	SU-3102907	1	/P	Shaft, Transmission Hyd Motor
24	SU-3102687	1	/P	Plate, Hyd Motor Cyl Block Valve
25	SU-9004800-1508	1	/P	Pin, Hyd Motor Cyl Block
26	SU-3102875	1	S	Gasket, Transmission Housing
27	SU-9510643	1	/P	Housing, Transmission Center
	710-0520	2	/P	Bolt, 3/8 X 1-1/2 Pln Type 5
	SU-9007200-3728	4		Bolt, 3/8 X 2 Pln Type 5
	710-3005	2	/P	Screw, 3/8 X 1-1/4 Pln H/Shd Cap
28	IH-394868-R1	1	S	Fitting, Center Housing
29	IH-444691	1		Plug, 1/4-18 Automotive, Hex Soc Hd Pipe
30	SU-9001355-0001	2	/P	Bearing, Center Housing Needle
31	IH-444687	4		Plug, 1/8-27 Automotive, Hex Soc Hd Pipe
32	SU-3100053	2	/P	Cone, Relief Valve
33	SU-3101536	1	/P	Spring, Charge Relief Valve
34	SU-3100055	2	/P	Plug, Relief Valve
	SU-3102301	1		Spring, Implement Relief Valve
35	IH-369384-R1	2		O-Ring, 13/32 X 9/16 X 5/64 Relief Valve Plug
36	SU-9510447	2	/P	Kit, Shim

## Hydrostatic Transmission

Ref #	Part Number	Qty	S/P/F	Description
37	SU-9500085	2	S	Valve Assy, Center Housing Check (Includes Ref No. 38, 39 & 40)
38	SU-9006110-0160	2	/P	Washer, Check Valve Housing
39	IH-379181-R1	2		O-Ring, 5/8 X 3/4 X 1/16
40	721-3005	2	S	O-Ring, 3/4 X 15/16 X 3/32 Check Vlve Housing, Large
41	IH-21065-R1	1		Ring, Trunnion Shaft Snap
42	SU-9009625-6904	1	/P	Washer, Trunnion Shaft Seal Retaining
43	IH-23707-R1	1		O-Ring, 2-3/8 X 2-1/2 X 1/16 Calss 5
44		1		Rotor Assy, Charge Pump Not Serviced Separately (Order Pump Kit SU-9510405-0003)
	SU-9004875-0076	1	/P	Pin, Charge Pump Rotor
?45		1		WHEEL-4.80/4.00 Nut used in this application
46		1		Rearing, Charge Pump Housing Needle Not Serviced Separately (Order Pump Kit SU-9510405-0003)
47	IH-394847-R91	1	S	Seal, Lip
48	IH-9410359	2		Plug, 3/4-16 C-Z Str Thd
49	IH-570828-R1	2		O-Ring, 41-64 X 13/16 X 3/32
50	SU-3103181	1	S	Shaft Assy, Trunnion
51	SU-3101045	1	/P	Shaft, Trunnion
52	IH-27280-R1	3	/P	Pin, 3/16 X 5/8 Coiled Spring
	SU-9510405-0003	1	/P	Kit, Charge Pump Housing
	IH-394847-R91	1	S	Seal
		1		Rotor Assy
		1		Bearing
	SU-9004875-0076	1	/P	Pin
	SU-9510735	1		Kit, Swashplate w/Hsg Service Consists of
	SU-3103064	1		Housing
	SU-9008000-6201	1	S	Oil Seal
	SU-9008000-6701	2	/P	Oil Seal
	SU-9001455-0004	2		Needle Bearing
	SU-3102020	2	/P	Thrust Plate
	SU-3102029	1		Swashplate

984  
Ignition

Page 70 of 128

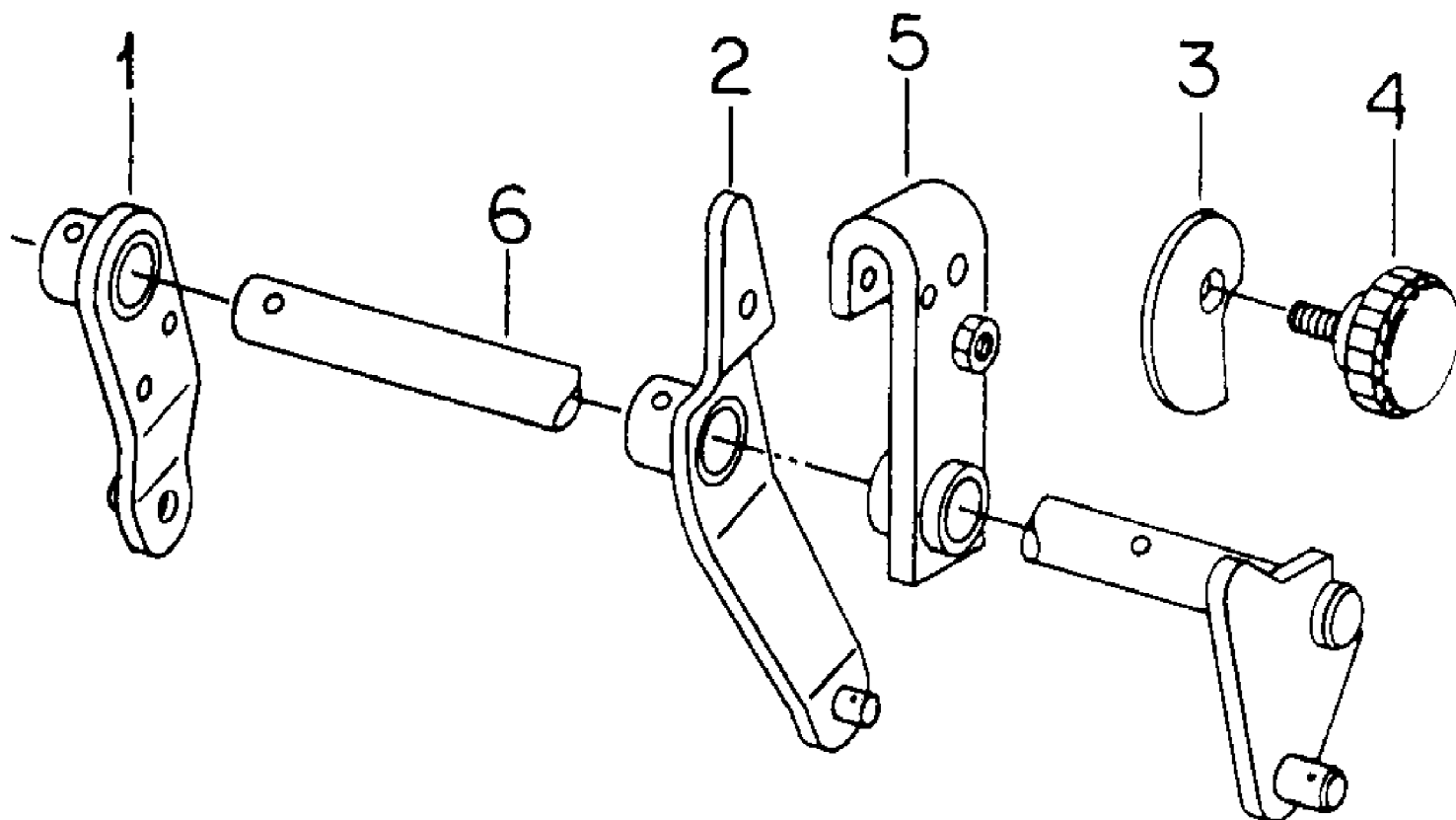


984  
Ignition

Page 71 of 128

Ref #	Part Number	Qty	S/P/F	Description
1	ME-160-1303	1		Box Assy, Breaker (For list of components see Breaker Box this section)
2	ME-160-1150	1	S	Gasket
3	736-0329	2	S	Washer, 1/4 Lock
4		2		Screw, 1/4 X 3/4 H/Shd Cap (Common Hardware, Purchase Locally)
5	ME-160-1151	1		Plunger, Breaker Point Assy
6	ME-166-0772	1	/P	Coil, Ignition
7	ME-166-0604	2		Cap, Ignition Coil
8	ME-167-1602	2		Kit, Spark Plug Cable
9	759-3335	2	/P	Plug, Spark
10	ME-166-0588	1		Clamp, Coil
11	ME-336-2378	1		Cable Assy, Block to Coil
12	ME-166-0554	1		Nut, Special Hex
13	IH-78613-C1	1		Washer, Lock
		1		Screw, 1/4 X 1/2 Znp H/Hd Mach (Common Hardware, Purchase Locally)

984  
Implement Lift-SN 713151 & Below



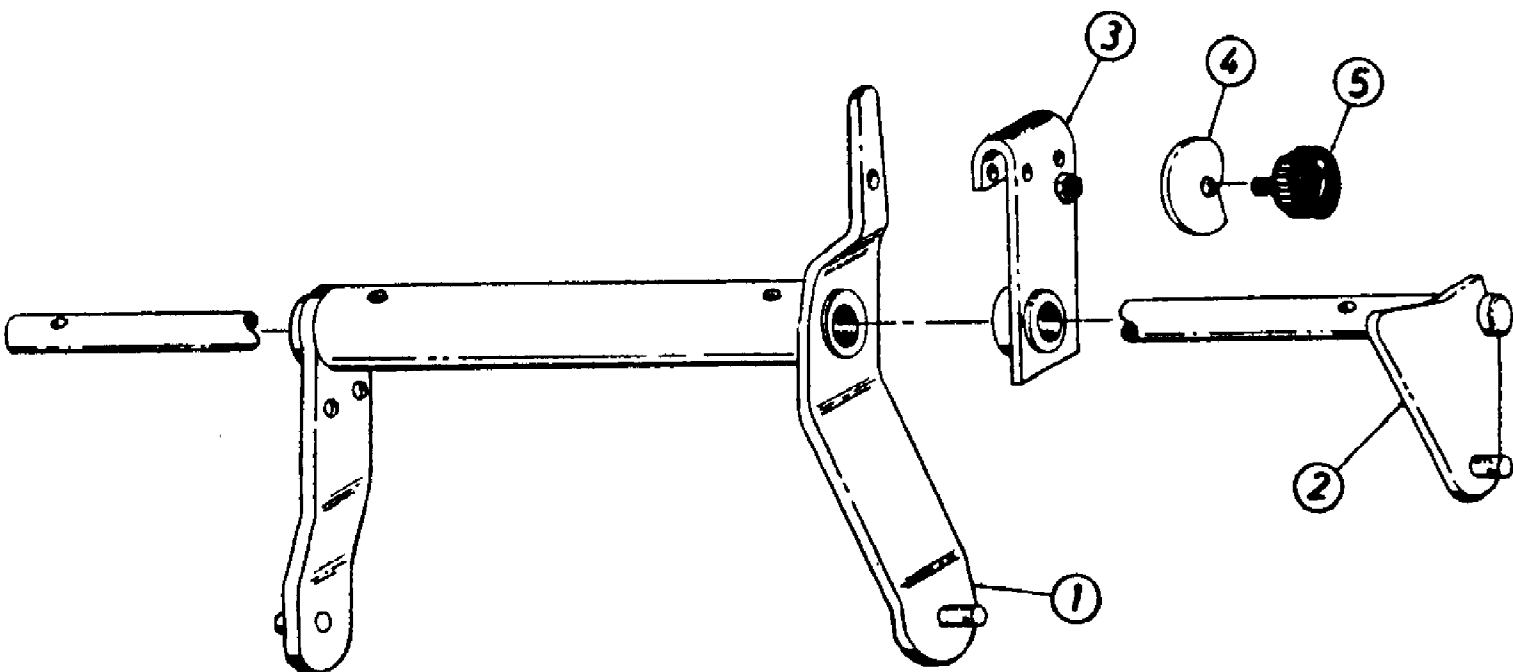


Implement Lift-SN 713151 &amp; Below

Ref #	Part Number	Qty	S/P/F	Description
1	703-0075	1		Arm Assy, Lift, LH
	715-3020	1		Pin, 3/8 X 2 Hvy Pln Cld Spr
2		1		Arm Assy, Lift, RH (Order Kit 759-3122)
	715-3020	1		Pin, 3/8 X 2 Hvy Pln Cld Spr
3	703-0189	1	/P	Cam, Lift Handle Stop
	736-0140	1	S	Washer, .406 X .812 X .051
4	720-3005	1		Knob, Torque
5	703-0268	1		Bracket Assy, Lift
	711-3030	1		Pin, 1/2 X 2.172 Pln Clevis
	736-0108	1	S	Washer, .500 X 1.125 X .064
	714-0115	1	S	Pin, 1/8 X 1 Pln Cot
6		1		Rockshaft Assy (Order Kit 759-3122)
	759-3122	1		Kit, Rockshaft
	703-0838	1		Arm Assy
	703-0854	1	S	Rockshaft Assy
	715-0125	2	S	Pin
	732-3039A	1		Spring
	715-3000	1	S	Pin
	736-0263	2		Washer, Flat Instructions, Installing

984  
Implement Lift-SN 713152

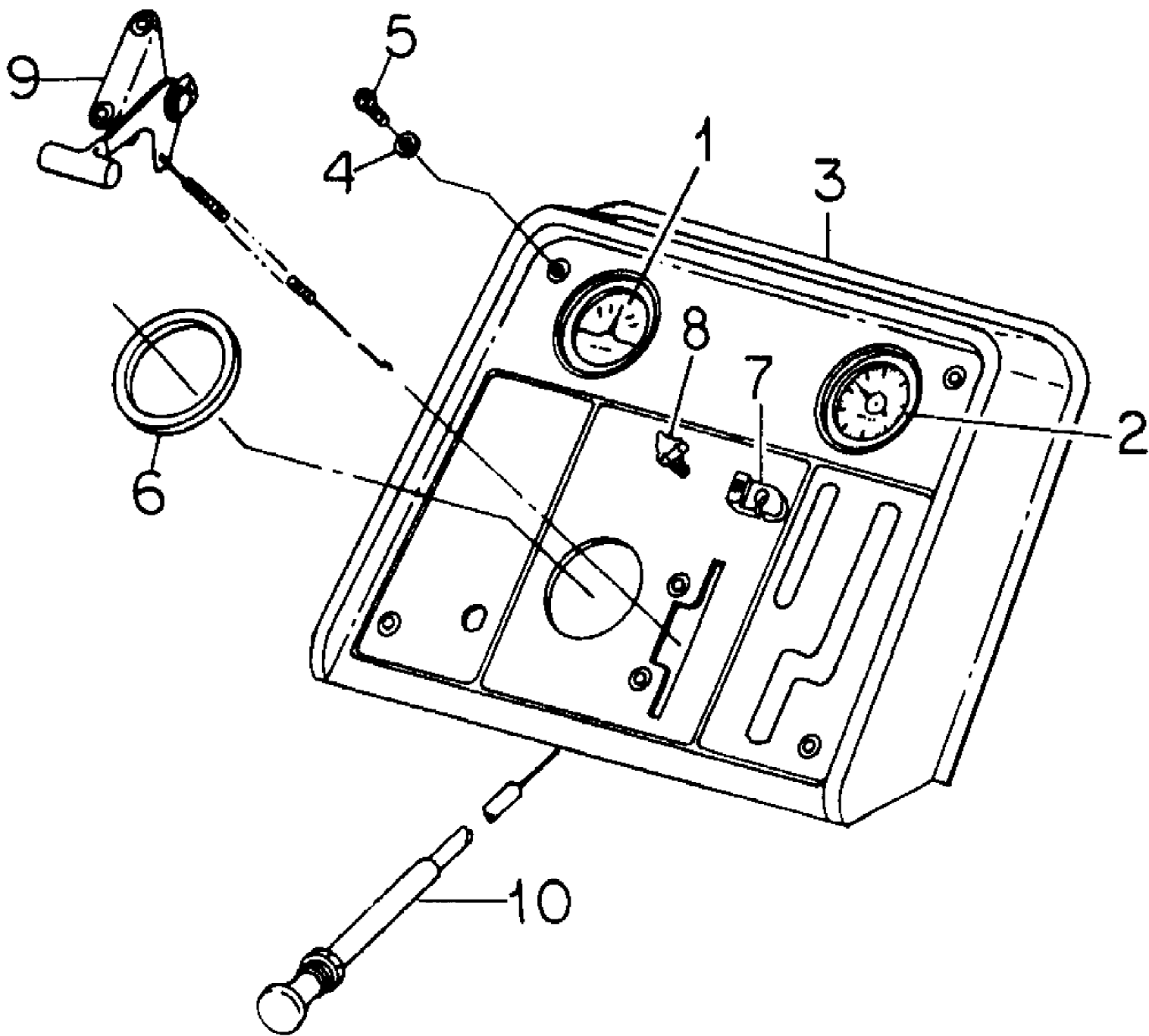
Page 74 of 128



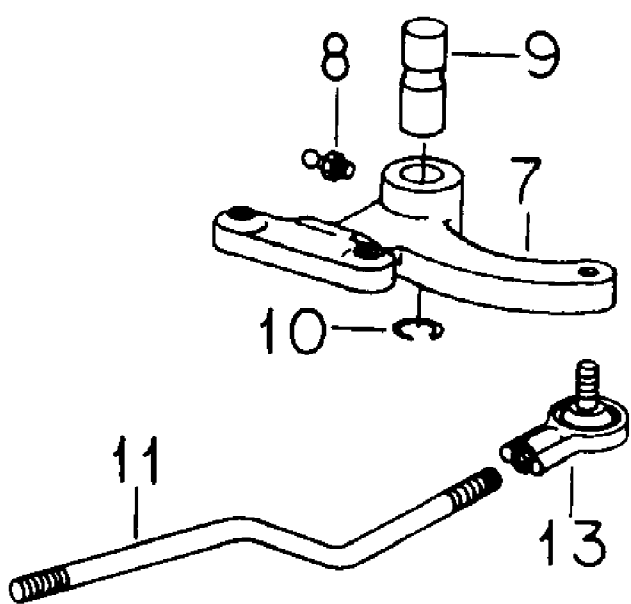
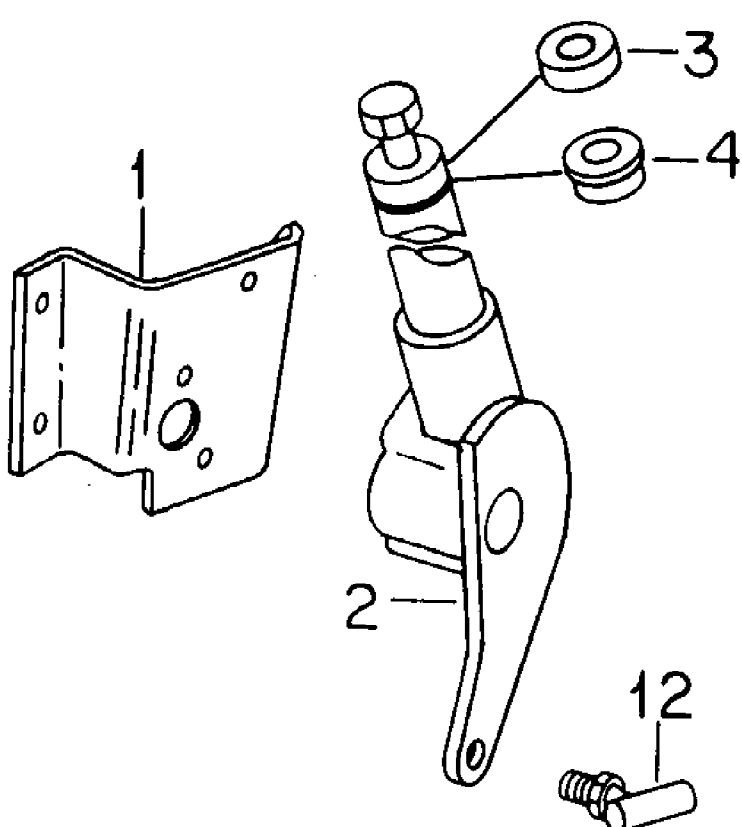
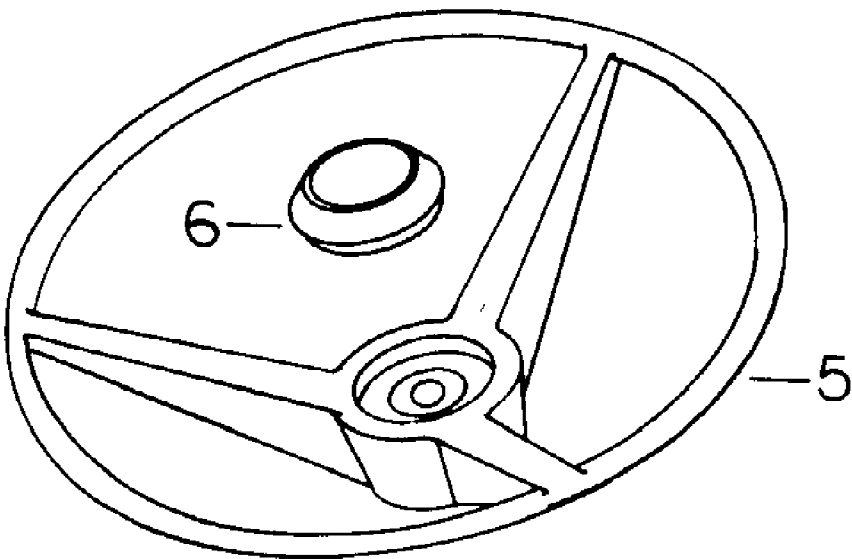
984  
Implement Lift-SN 713152

Page 75 of 128

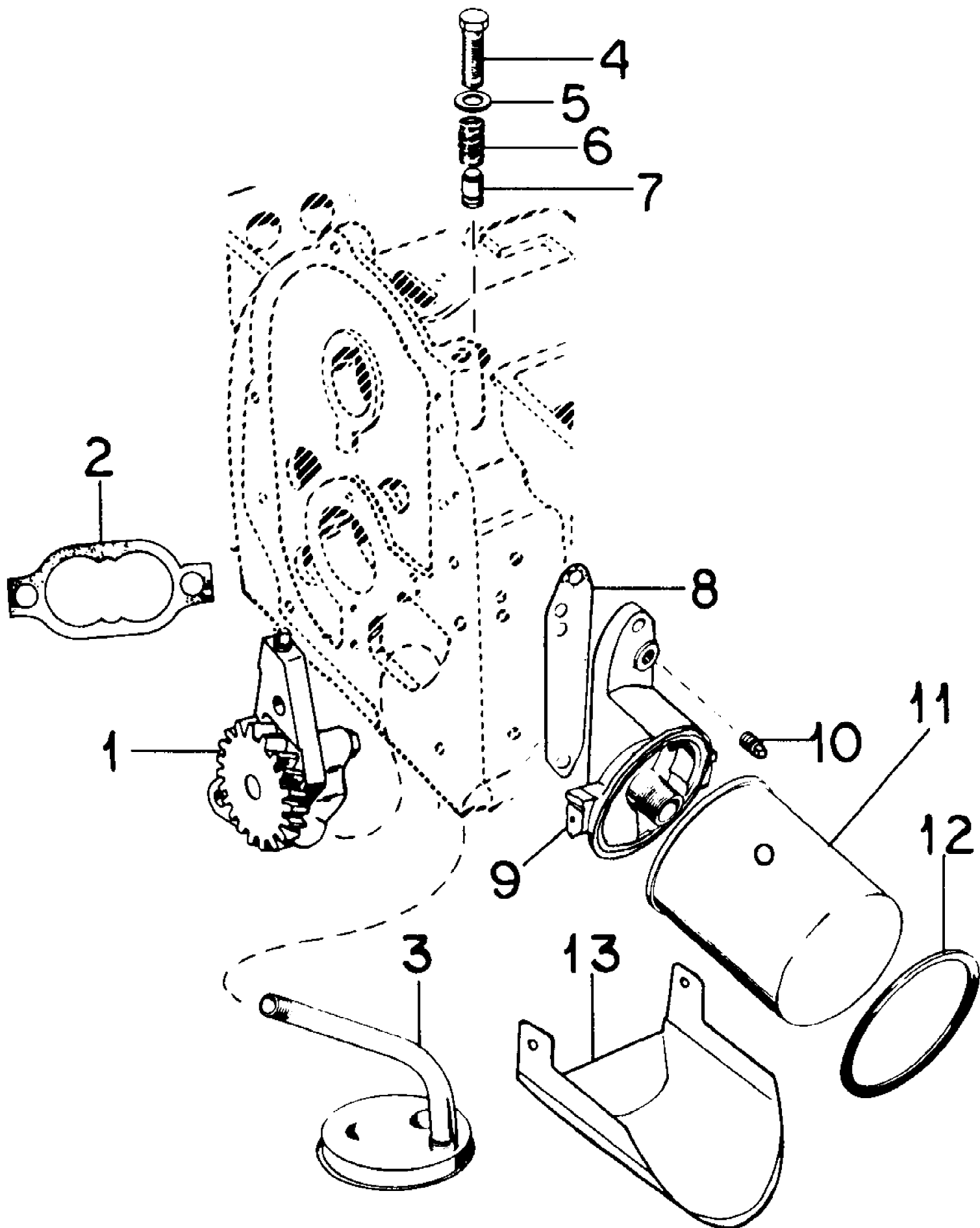
Ref #	Part Number	Qty	S/P/F	Description
1	703-0838	1		Arm Assy, Rockshaft
	715-3020	2		Pin, 3/8 X 2 Hvy Pln Cld Spr
2	703-0854	1	S	Rockshaft Assy
3	703-0192	1		Bracket Assy, Lift
	711-3030	1		Pin, 1/2 X 2.172 Pln Clevis
	736-0108	1	S	Washer, .500 X 1.125 X .064
	714-0115	1	S	Pin, 1/8 X 1 Pln Cot
4	703-0189	1	/P	Cam, Lift Handle Stop
	736-0140	1	S	Washer, .406 X .812 X .051
5	720-3005	1		Knob, Torque



Ref #	Part Number	Qty	S/P/F	Description
1	725-3023	1	S	Indicator, Charge
2		1		Timer, Maintenance Minder - Not Serviced Separately (Order Package IH-106382-C91)
3	731-3006	1	S	Panel, Instrument
4	736-3005	6		Washer, Flat
5	710-3009	6	/P	Screw, Tapping
6	735-3002	1		Grommet, Instrument Panel
7	731-3007	1	/P	Stop, Handle Detent
8	721-3003	1		Knob
	736-3020	1	S	Washer, .266 X .625 X .036
9	746-3005	1	S	Control, Throttle
10	746-3006	1		Cable, Choke
	IH-106382-C91	1	/P	Package, Hourmeter Hourmeter, Digital Instructions Connector



Ref #	Part Number	Qty	S/P/F	Description
1	703-0229	1		Bracket, Steering Gear Support
	710-0514	4	/P	Bolt, 3/8 X 1 Type 5
	736-0267	6	S	Washer, .406 X .812 X .065 Hdn
	736-0169	4	S	Washer, 3/8 Lock
	712-0798	4	/P	Nut, 3/8 Type 5
2	703-0230	1		Gear Assy, Steering (Refer to Mechanical Steering in this section for service parts)
	710-0514	3	/P	Bolt, 3/8 X 1 Type 5
	736-0169	3	S	Washer, 3/8 Lock
3	723-3001	1	S	Seal, Steering Gear
4	741-3000	1	S	Bearing, Column Upper
5	731-3011	1	/P	Wheel, Steering
6	731-3012	1	S	Cap, Steering Wheel
7	719-3015	1		Lever, Steering
8	737-3000	1	S	Fitting, Lube
9	711-3048	1	/P	Pin, Steering Pivot
10	716-3002	1		Ring, Retaining
11	747-3073	1		Link, Drag (Replaces 747-3024 by also furnishing Joint 723-3030, Bolt 710-3091 and Nut
12	723-3015	1	S	Joint, Ball
	712-3029	2	/P	Nut, 1/2-NF Jam Type 5
	714-3004	1		Pin, 3/32 X 1-1/4 Pln Cot
	736-0921	1	S	Washer, 1/2 Lock
	712-3012	1	S	Nut, 1/2-NF Slit Type 5
13	723-3016	1	S	Joint, Ball (Tractors w/Serial No. 700000 and Below)
	710-3111	1	/P	Bolt, 3/8 X 1.5 Dld Pln Type 5
	714-0111	1	S	Pin, 3/32 X 1 Cot
	723-3030	1		Joint, Ball (Tractors w/Serial No. 700001 and Above)
	710-3091	1		Bolt, Drag Link
	714-0111	1	S	Pin, 3/32 X 1 Cot

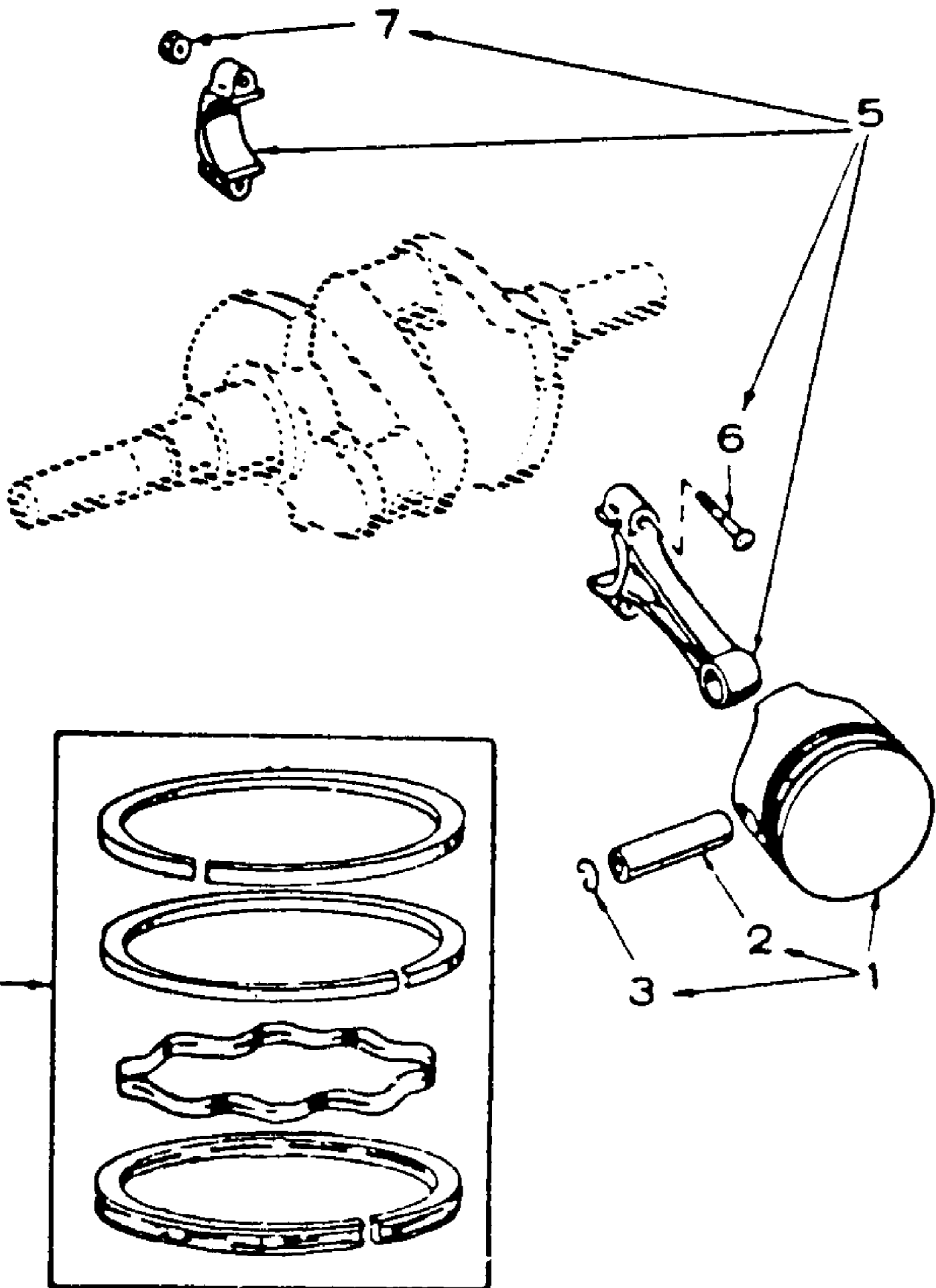




984  
Oil Pump & Filter

Page 81 of 128

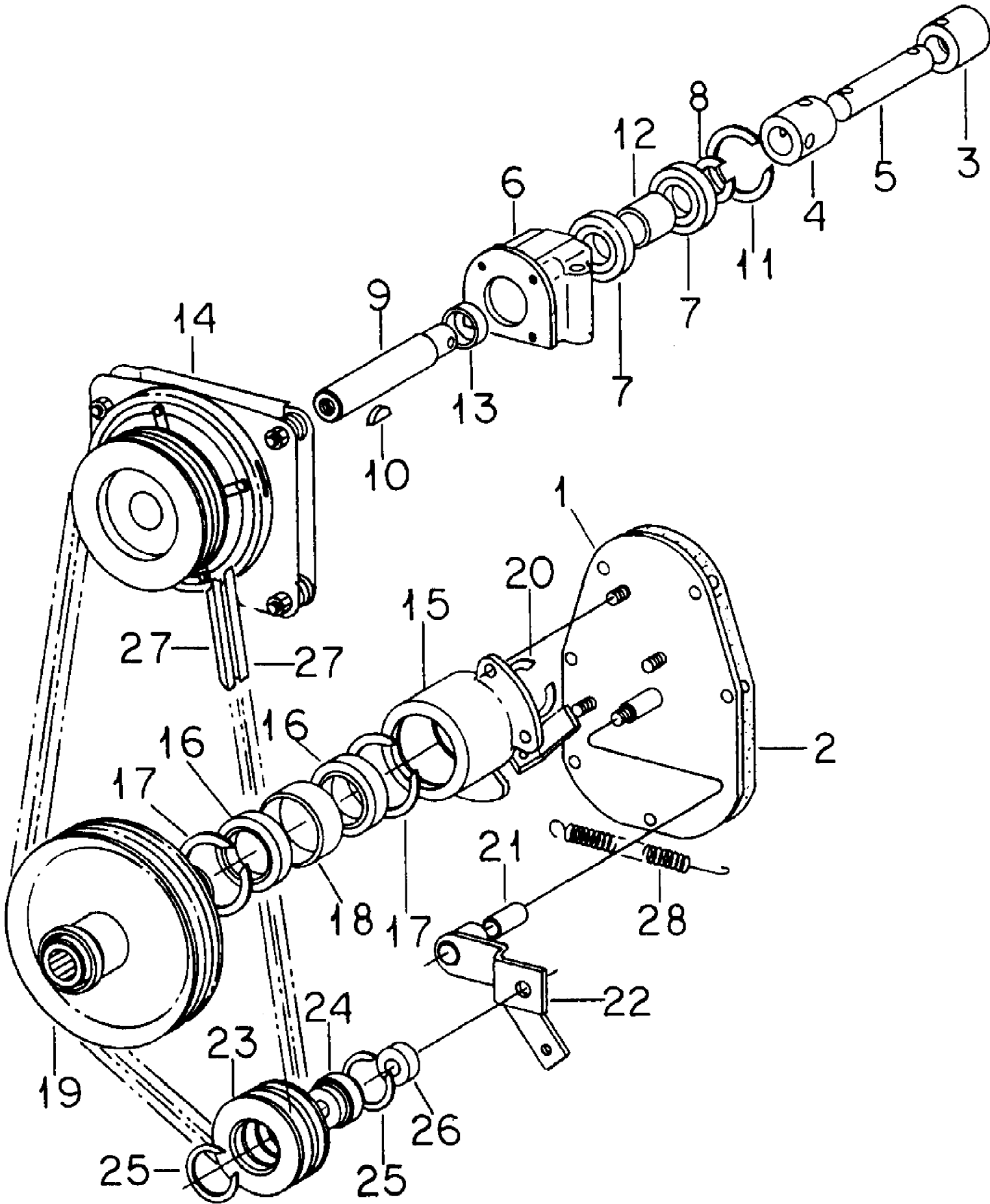
Ref #	Part Number	Qty	S/P/F	Description
1	ME-120-0491	1	/P	Pump, Oil
	736-0329	2	S	Washer, 1/4 Lock
		2		Bolt, 1/4 X 1 Type 5 (Common Hardware, Purchase Locally)
2	ME-120-0161	1		Kit, Oil Pump Gasket
3	ME-120-0713	1		Cup, Oil Pump Intake
4		1		Bolt, 3/8-NF X 7/8 Type 5 (Common Hardware, Purchase Locally)
5	ME-526-0066	1		Washer, By-Pass Valve
6	ME-120-0140	1	/P	Spring, By-Pass Valve
7	ME-120-0398	1		Valve, By-Pass
8	ME-122-0720	1	S	Gasket, Oil Filter Adapter Mtg
9	ME-122-0320	1		Adapter, Oil Filter
	ME-526-0065	2		Washer, Oil Filter Mtg
	710-0376	2	/P	Bolt, 5/16 X 1 Type 5
10	ME-505-0057	1		Plug, Pipe
11	ME-122-0645	1	/P	Filter, Oil
12	ME-122-0347	1		Seal, Air-Filter to Housing
13	ME-122-0360	1		Drain, Oil Filter
	ME-815-0194	2		Screw, 10-32 X 3/8 Cap



984  
Piston & Rod

Page 83 of 128

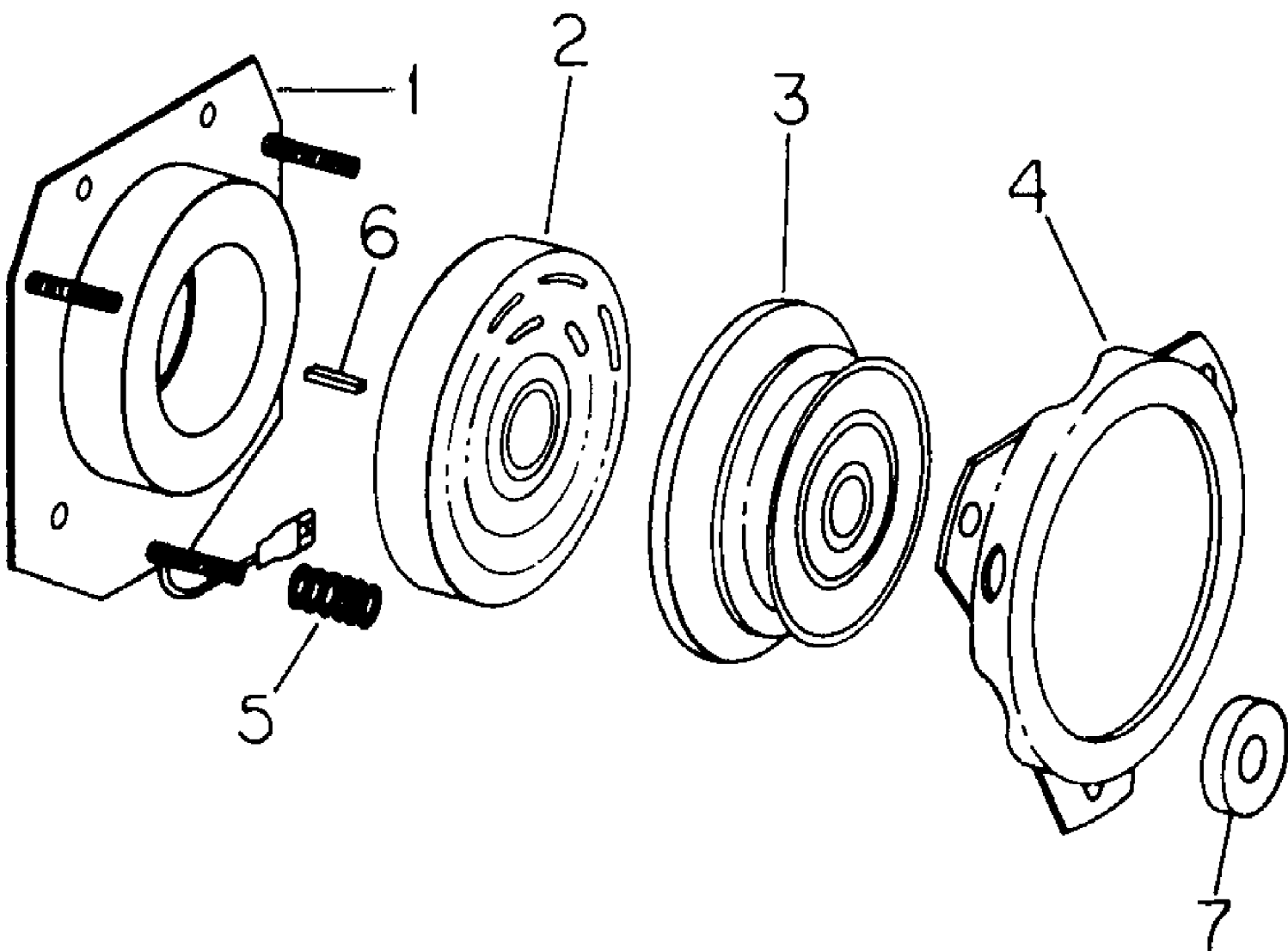
Ref #	Part Number	Qty	S/P/F	Description
1	ME-112-0186	2		Set, Piston & Pin, Std
	ME-112-0186-10	2		Set, Piston & Pin, .010
	ME-112-0186-20	2		Set, Piston & Pin, .020
2	ME-112-0122	2		Pin, Piston
3	ME-518-0311	4		Retainer, Piston Pin
4	ME-113-0189	2	S	Ring Set, Std
	ME-113-0189-10	2		Ring Set, .010
	ME-113-0189-20	2		Ring Set, .020
5	ME-114-0257	2		Rod, Connecting, Std
	ME-114-0257-10	2		Rod, Connecting, .010
	ME-114-0257-20	2		Rod, Connecting, .020
6	ME-114-0240	4		Bolt, Connecting Rod
7	ME-870-0302	4		Nut



## Power Take-Off Attachment

Ref #	Part Number	Qty	S/P/F	Description
1	703-0449	1		Plate Assy, Trans Case Rear Cover (Serial No. 719999 and Below)
	710-3000	4	S	Bolt, 3/8 X 3/4 Pln Type 5
	703-0913	1		Plate Assy, Trans Case Rear Cover (Serial No. 720000 and Above)
	710-3000	4	S	Bolt, 3/8 X 3/4 Type 5
	710-0514	2	/P	Bolt, 3/8 X 1 Type 5
	710-3005	5	/P	Bolt, 3/8 X 1-1/4 Type 5
2	IH-350837-R2	1	S	Gasket, Rear Cover Plate (Serial No. 719999 and Below)
	721-3015	1	S	Gasket, Rear Cover Plate (Serial No. 720000 and Above)
3	717-3023	1	/P	Coupling, Spline
4	711-3088	1	/P	Coupling, Clutch Shaft to Inter-Shaft
5	IH-135578-C1	1		Shaft, IPTO Intermediate
	715-3020	2		Pin, 3/8 X 2 Hvy Pln Cld Spr
	715-3022	1		Pin, 3/8 X 1-1/2 Hvy Pln Cld Spr
6	719-3028	1	/P	Housing, Rear IPTO Clutch Bearing
	710-3118	1	/P	Bolt, 3/8 X 1 Type 5 Patch
	710-3066	1	/P	Bolt, 3/8 X 2-3/4 Type 5 Patch
7	741-0301	2	S	Bearing, Ball
8	716-3013	1		Ring, External Snap
9	IH-135579-C1	1		Shaft, Rear IPTO Clutch
10	714-3013	1	/P	Key, Woodruff #15
11	716-3012	1		Ring, Internal Snap
12	750-3011	1		Spacer, Inter-Shaft
13	750-3012	1	/P	Spacer, Rear IPTO Shaft
14	717-3024	1		Clutch Assy, IPTO w/Pulley
	710-3069	4	/P	Screw, 1/4 X 1/2 Plh H/Shd Cap
	736-3053	1		Washer, .406 X .812 X .134
	710-3094	1	S	Bolt, 3/8 X 1 Phc P/T Type 8
15	719-3029	1	/P	Housing, Rear IPTO Bearing
	712-3000	3	S	Nut, Hex Center Lock, 3/8 Type 5
16	741-3014	2		Bearing, Ball
17	IH-641207-R1	2		Ring, Snap Internal Retaining
18	750-3013	1		Spacer, Rear Pulley Housing
19	756-3018	1	/P	Hub Assy, Double Pulley
20	716-3010	1	/P	Ring, Snap External Retaining
21	748-3005	1	/P	Bushing, Idler Pulley
22	703-0451	1		Bracket Assy, Idler Pulley
	712-3000	1	S	Nut, 3/8 Cad P/T Lock Type 5
	736-3054	1	S	Washer, .438 X 1.000 X .064
23	756-3019	1		Pulley, Idler
24	741-3015	1	S	Bearing
25	716-3011	2		Ring, Snap Internal Retainer
26	750-3014	1		Spacer, Extra Heavy Black Pipe
	710-3071	1		Bolt, 1/2 X 2 Phc Type 8
	712-3040	1	S	Nut, 1/2 Phc Type 8
	736-0921	1	S	Washer, 1/2 Lock
27	754-3012	1	S	Belt Set, Matched
28	732-3027	1		Spring, Rear IPTO

Ref #	Part Number	Qty	S/P/F	Description
	725-3040	1		Relay
	IH-223288-C1	1		Fuse, 15 Amp
	726-3011	1		Strap, Cable Lock
	725-3022	1	S	Switch, IPTO
	712-3014	1	/P	Nut, Switch
	736-0160	1	S	Washer, .531 X 1.000 X .056

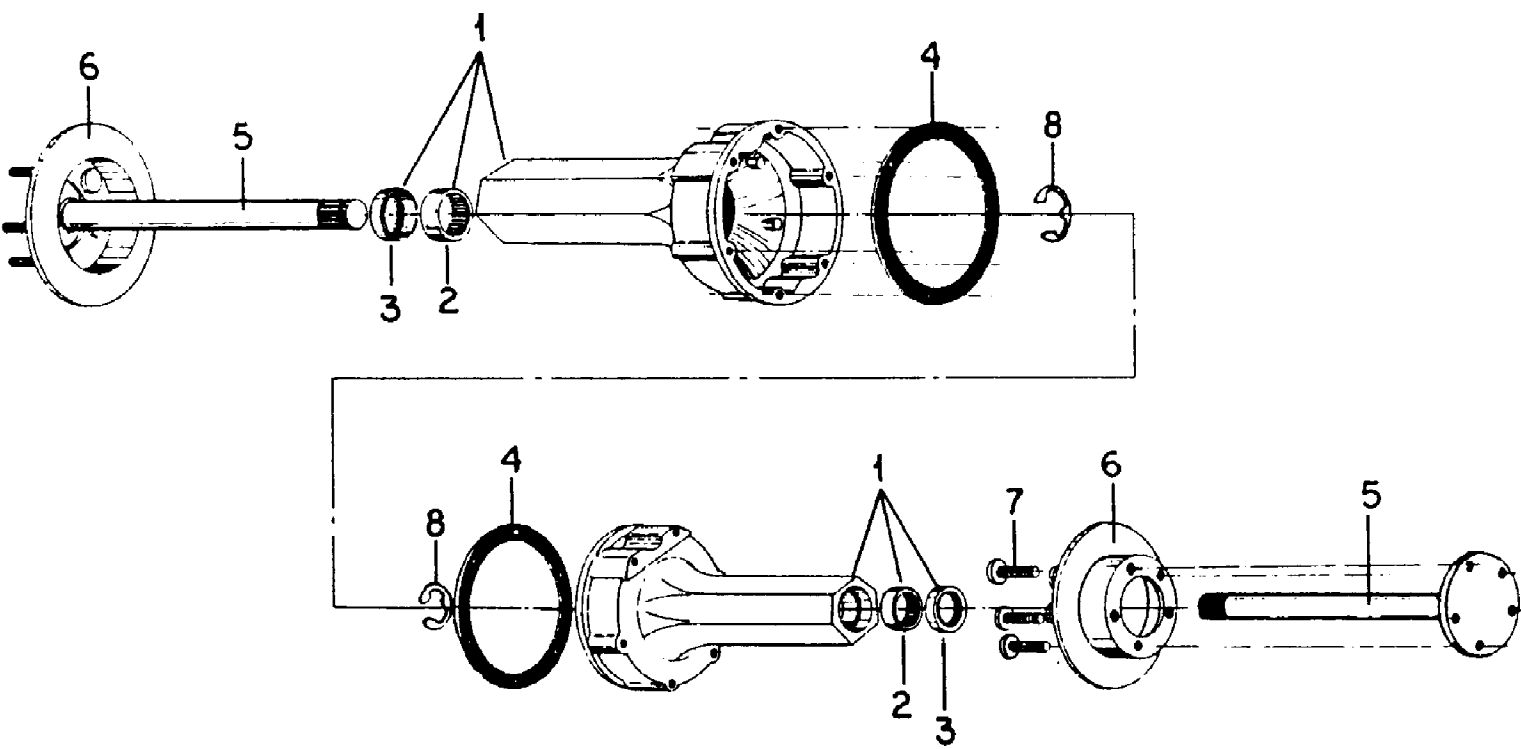


984  
PTO Clutch

Page 88 of 128

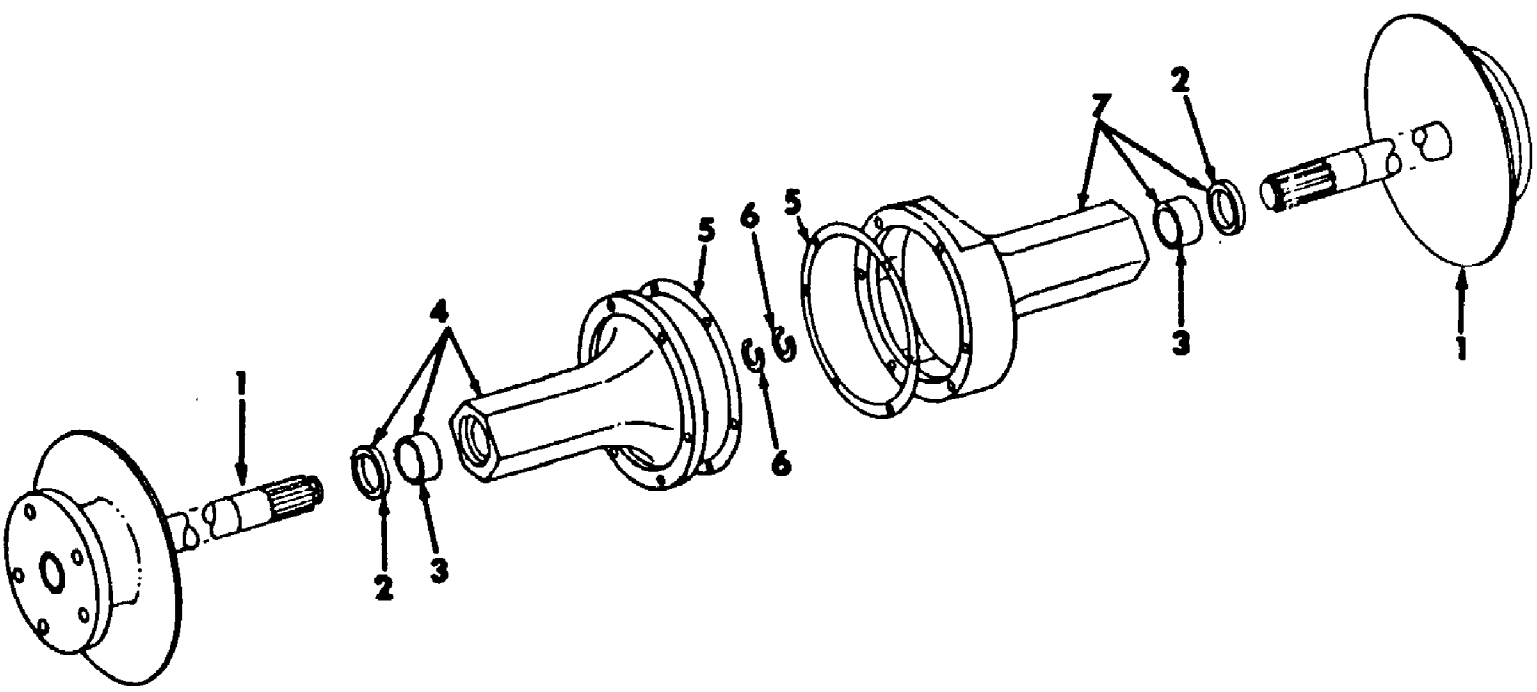
Ref #	Part Number	Qty	S/P/F	Description
	717-3012	1	S	Clutch Assy, PTO
1	IH-223409-C1	1		Field Assy
2	IH-223408-C1	1		Rotor
3	759-3304	1		Armature
4	759-3305	1		Drum
5	759-3306	1	/P	Kit, Spring w/Nut
6	714-0119	1	S	Key, 1/4 X .75 Sq Parallel
	710-0191	1	/P	Bolt, 3/8-NF X 1-1/4 Type 5
7	736-3026	1		Washer, Weight Balance (Replaces IH-672559-C1)
	IH-223405-C1	1		Package, Shoulder Bolt





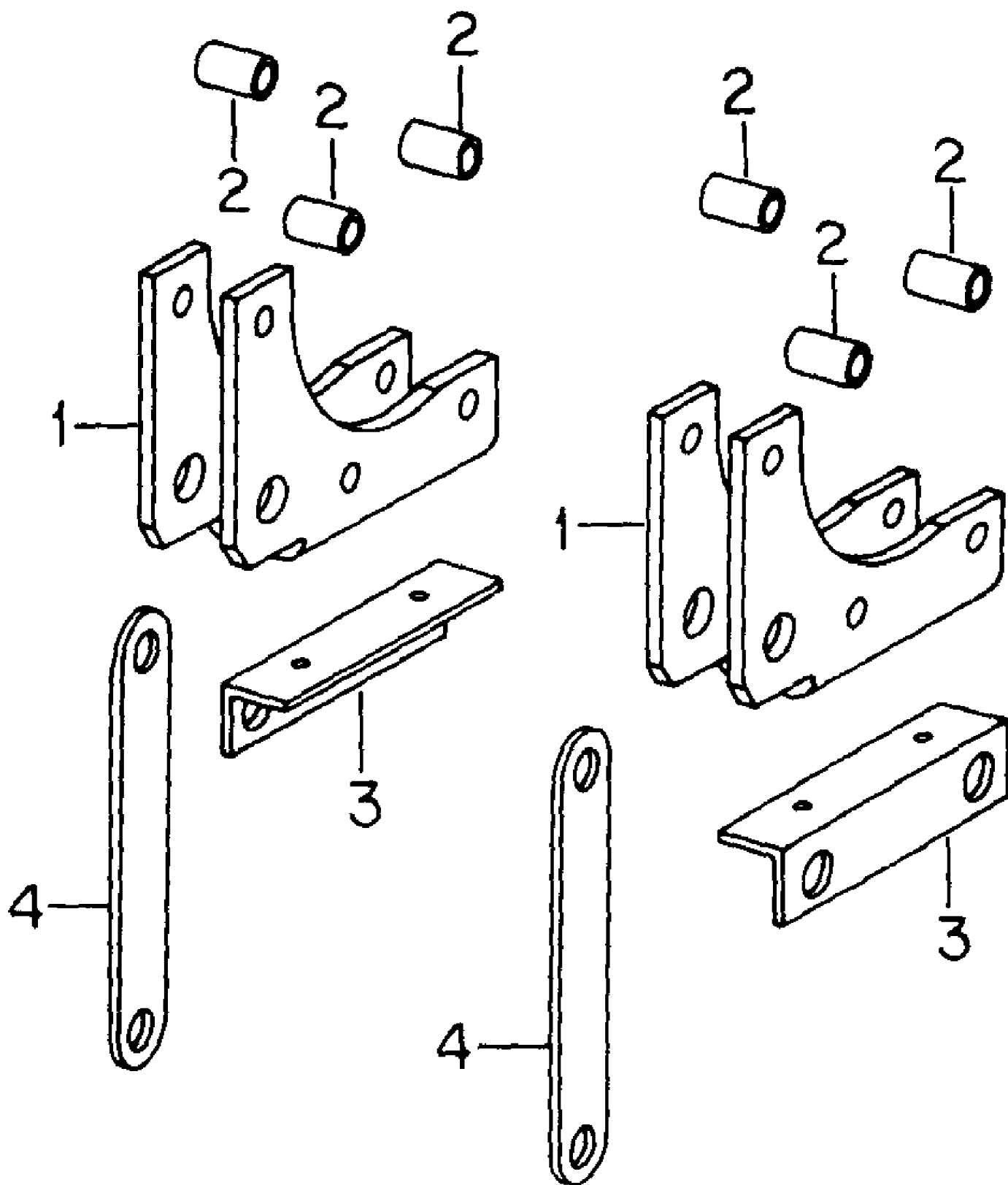
## Rear Axle Carrier-2-SN 720000 &amp; Up

Ref #	Part Number	Qty	S/P/F	Description
1	703-0906	2	/P	Carrier Assy, Rear Axle (Includes Ref No. 2 and 3)
	736-0213	8	/P	Washer, 3/8 ID Belleville
	736-0169	4	S	Washer, 3/8 Lock
	710-3116	4	/P	Bolt, 3/8 X 2-1/2 Type 5 (Replaces IH-107064-C1)
	710-3115	4	/P	Bolt, 3/8 X 3 Type 8 (Replaces IH-107065-C1)
	710-3011	4	/P	Bolt, 3/8 X 2-1/4 Type 5 (Replaces IH-107063-C1)
2	741-0363	2	S	Bearing, Needle
3	721-0187	2	S	Seal, Oil
4	721-3014	2	/P	Gasket, Carrier
5	703-0907	2		Axle, Rear (Includes Ref No. 6 & 7)
6	703-0908B	2		Disc, Brake
7	710-0852	10	/P	Bolt, Lug
8	716-0136	2	/P	E-Ring, .668 Ext Ret



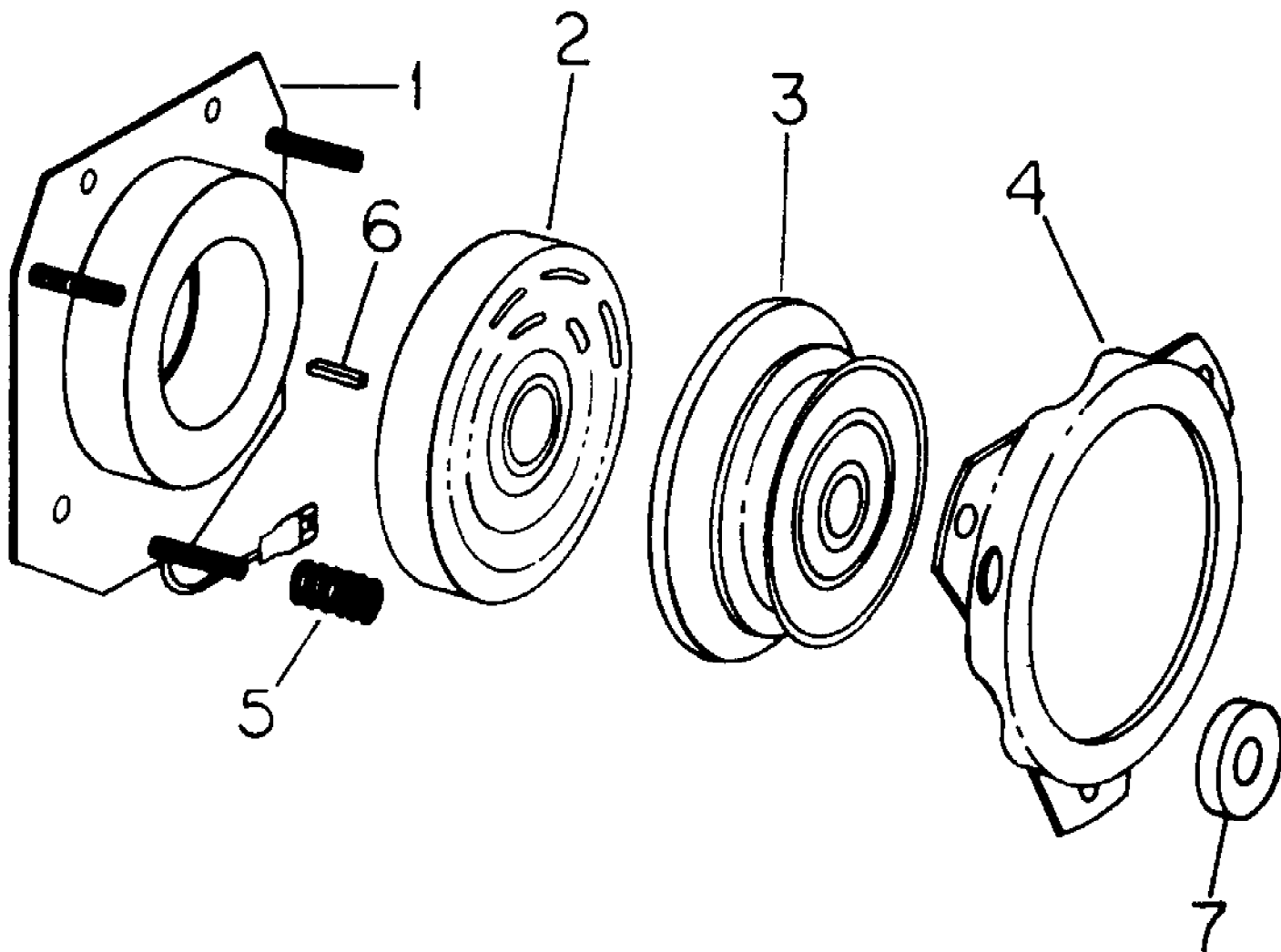
## Rear Axle Carrier-SN 719999 &amp; Below

Ref #	Part Number	Qty	S/P/F	Description
1	IH-531180-R2	2	/P	Axle Assy, Rear (Tractors w/Serial No. 691601 and Below, and Serial No. 691604)
	IH-223474-C1	2		Axle Assy, Rear (Tractors w/Serial No. 691602, 691603, 691605 and Above)
2	721-0187	2	S	Seal, Oil
3	741-0363	2	S	Bearing, Needle
4	IH-397322-R11	1		Carrier Assy, Rear Axle, LH
	IH-24840-R1	4		Bolt, 3/8 X 1 Pln Type 5
	710-3036	2		Bolt, 3/8 X 1-1/4 Phc P/T Type 8
5	721-3014	2	/P	Gasket, Carrier
6	IH-378066-R1	2		Ring, Retaining (Use w/Axle IH-531180-R2)
	716-0136	2	/P	Ring, Retaining (Use w/Axle IH-223447-C1)
7	703-0906	1	/P	Carrier Assy, Rear Axle, RH
	710-3011	4	/P	Bolt, 3/8 X 2-1/4 Pln Type 5
	710-3035	2		Bolt, 3/8 X 2-1/2 Phc P/T Type 8



Rear Hanger Bracket Extension

Ref #	Part Number	Qty	S/P/F	Description
1	138280-C1	2		SUPPORT, LOWER LINK
	27605-R1	6		BOLT, 3/8 X 4 PHC P/T TYPE 8
2	138281-C1	1		SPACER, LOWER LINK SUPPORT
3	90544-C1	2		ANGLE, REAR HANGER
	27607-R1	2		SCREW, 5/16 X 3/4 H/WHD TAP
4	90545-C1	1		LINK, LIFT
	80928-C1	1		PACKAGE, PRODUCT GRAPHICS CAUTION ON CHUTE; CAUTION ON HOUSING



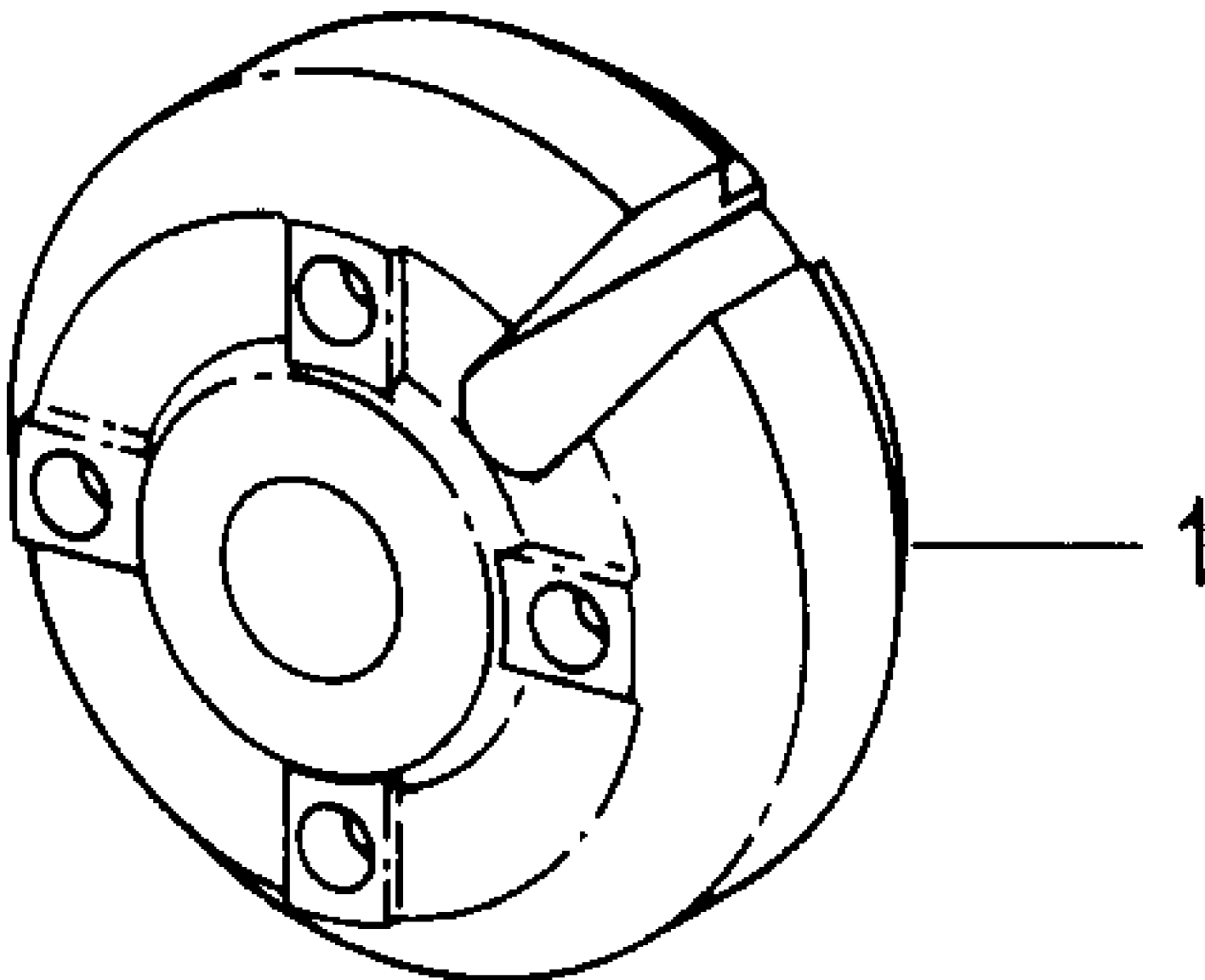
984

Page 96 of 128

## Rear Power Take-Off Clutch

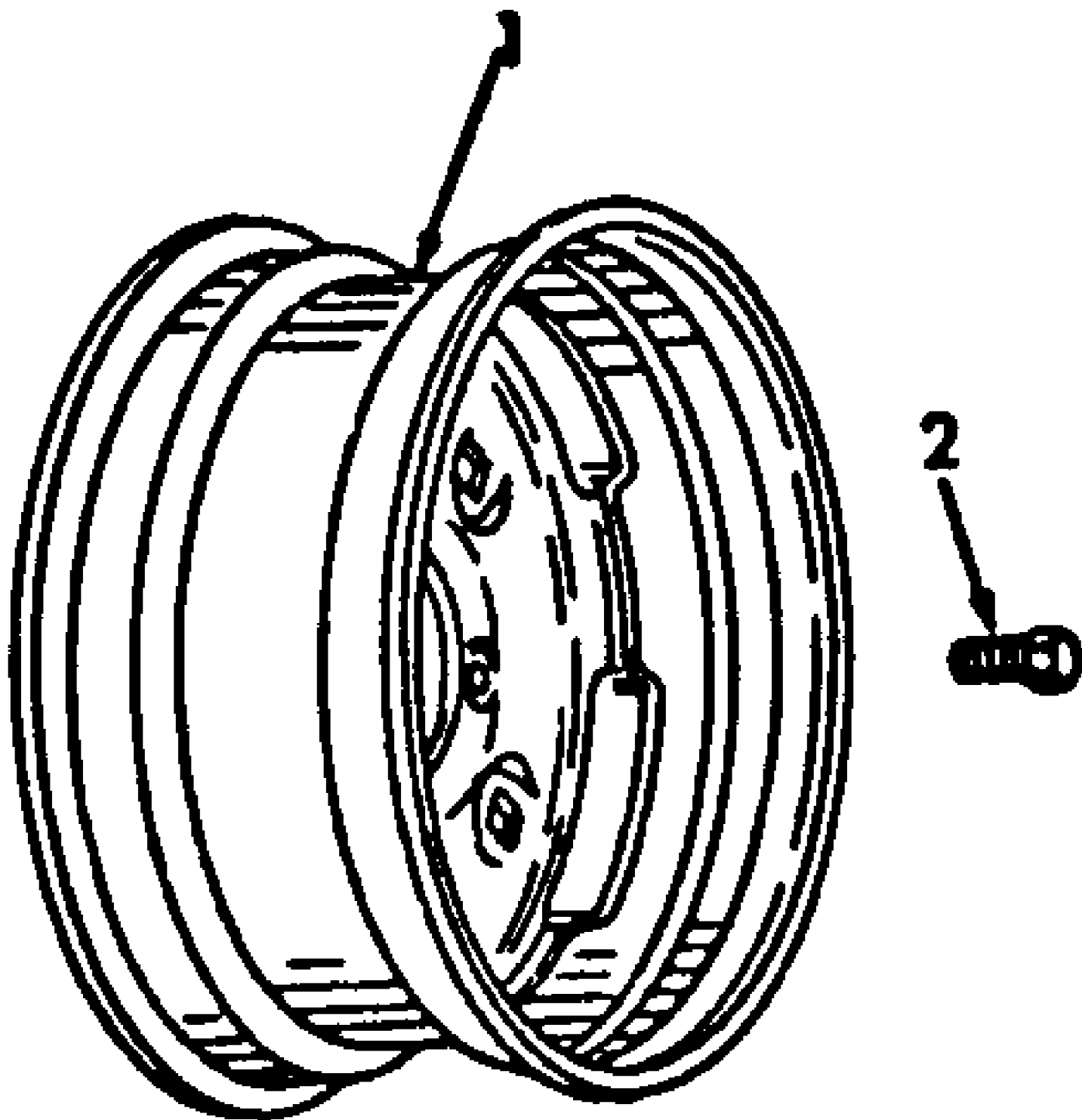
Ref #	Part Number	Qty	S/P/F	Description
	717-3024	1		Clutch Assy, PTO
1	759-3506	1		Rotor
2	759-3507	1		Armature Assy
3	759-3505	1		Field Assy
4	759-3305	1		Drum
5	759-3306	1	/P	Kit, Spring w/Nut
6	714-0119	1	S	Key, 1/4 X .75 Sq Parallel
	710-0191	1	/P	Bolt, 3/8-NF X 1-1/4 Type 5
7	736-3026	1		Washer, Weight Balance (Replaces IH-672559-C1)
	IH-223405-C1	1		Package, Shoulder Bolt





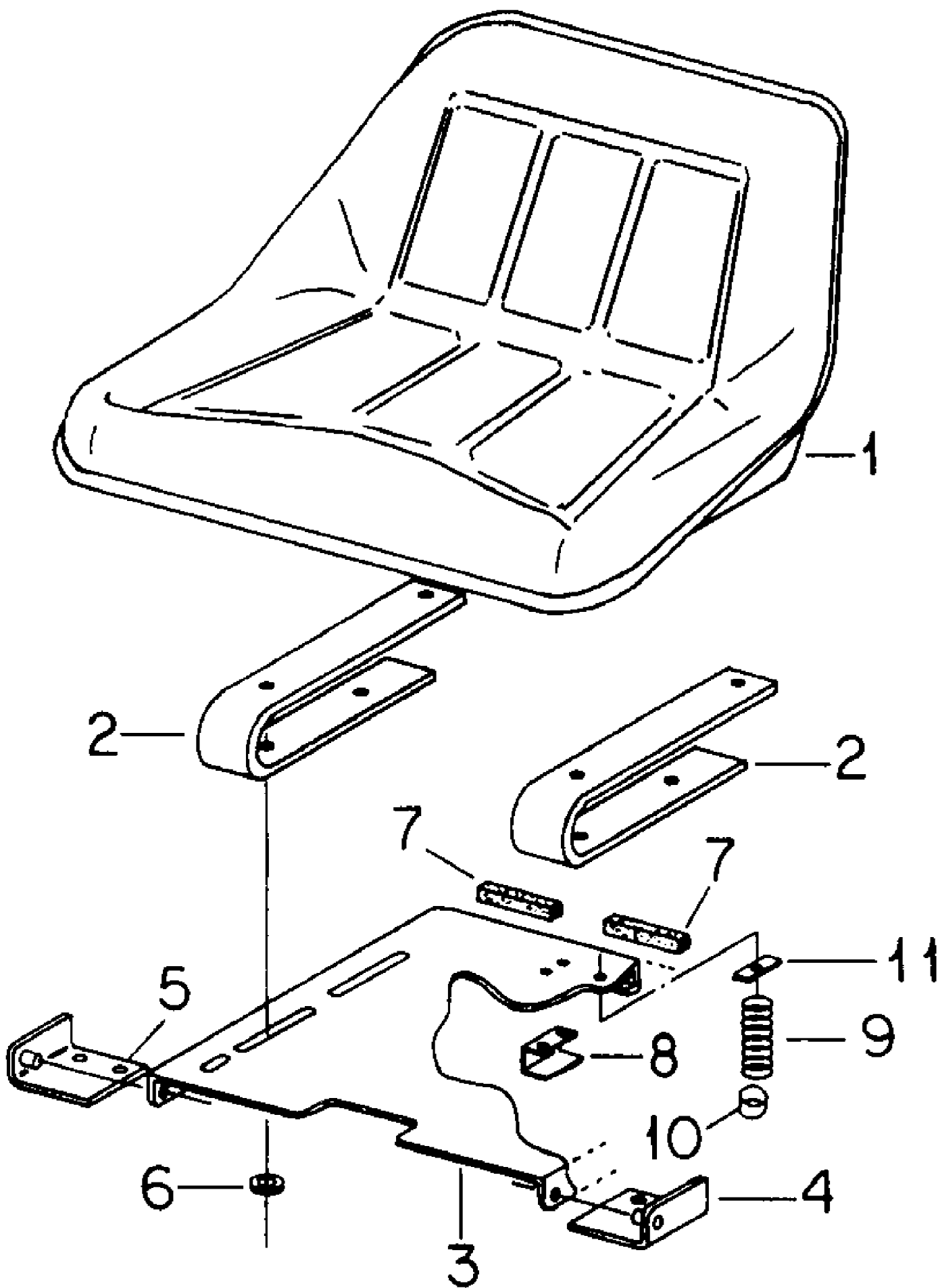
984  
Rear Wheel Weights

Ref #	Part Number	Qty	S/P/F	Description
1	703-0396	2		Weight, Rear Wheel (Approx 75 Lbs)
	712-0206	12	S	Nut, 1/2 Type 5
	736-0921	8	S	Washer, 1/2 Lock
	736-0272	6	S	Washer, 531 X 1.062 X .074



984  
Rear Wheels

Ref #	Part Number	Qty	S/P/F	Description
1	734-3017	2	S	Wheel, Rear w/8.5JA-12 Rim
2	710-3027	10	/P	Bolt, Wheel (Serial No. 719999 and Below)
	712-3050	10	/P	Nut, 7/16-14 Lug (Serial No. 720000 and Above)
	734-0255	2	S	Valve, TR-413 Tubeless Type

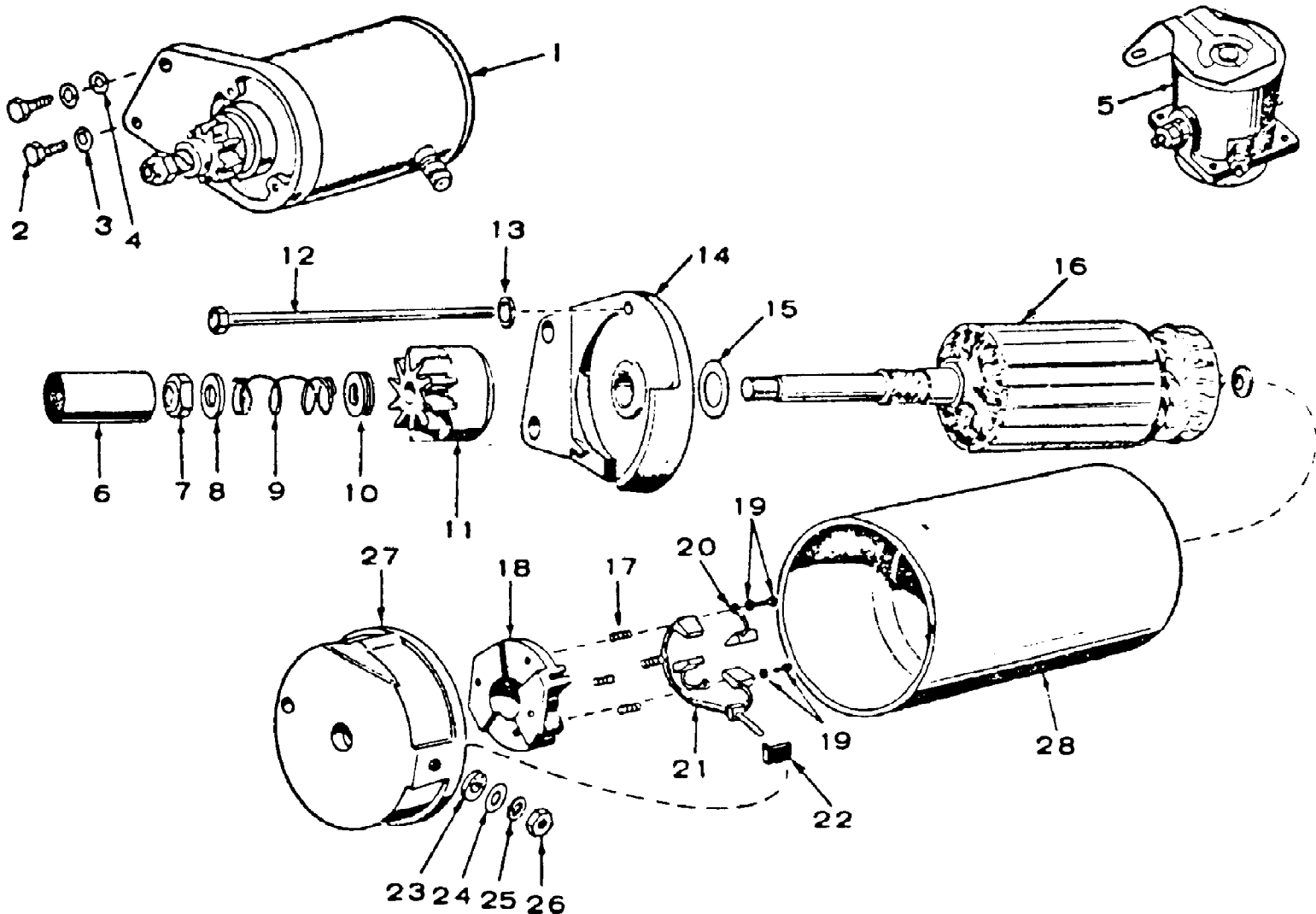


984  
Seat & Support

Page 102 of 128

Ref #	Part Number	Qty	S/P/F	Description
1	759-3149	1	/P	Seat Assy (Replaces IH-140365-C1)
	777-9703	1		Product Graphic - Never Carry Children
2	703-0068	2	/P	Spring, Seat
	710-0118	4	S	Bolt, 5/16 X 3/4 Type 5
3		1		Cover w/Product Graphic, Dual Spring (Order Package 759-3065)
	736-3008	4	S	Washer, .344 X .750 X .105
	712-0267	4	S	Nut, 5/16 Type 5
	710-0376	4	/P	Bolt, 5/16 X 1 Type 5
4	703-0070	1		Bracket Assy, Pivot, LH
	710-3000	2	S	Bolt, 3/8 X 3/4 Type 5
	736-0169	2	S	Washer, 3/8 Lock
5	703-0072	1		Bracket Assy, Pivot, RH
	710-3000	2	S	Bolt, 3/8 X 3/4 Type 5
	736-0169	2	S	Washer, 3/8 Lock
6	736-3070	4	/P	Washer, 11/32 X 1-1/2 X 11 Ga
7	735-3005	2		Bumper, Hood Adhesive, Loctite #495
8	703-0074	1		Channel, Switch Actuator
	710-0473	2	/P	Screw, No. 10 X 1/2 P/Hdcr Tap
9	732-3004	1	/P	Spring, Seat Switch
10	720-3001	1	/P	Cap, Spring
	710-0473	1	/P	Screw, No. 10 X 1/2 P/Hdcr Tap
11	726-3004	1		Nut, Spring
	759-3065	1		Package, Cover & Product Graphics (Replaces Cover IH-135600-C92)
	735-3005	2		Bumper
	779-3229	1		Product Graphic, Fuel Warning
	736-0931	1	/P	Product Graphic, Booster Battery

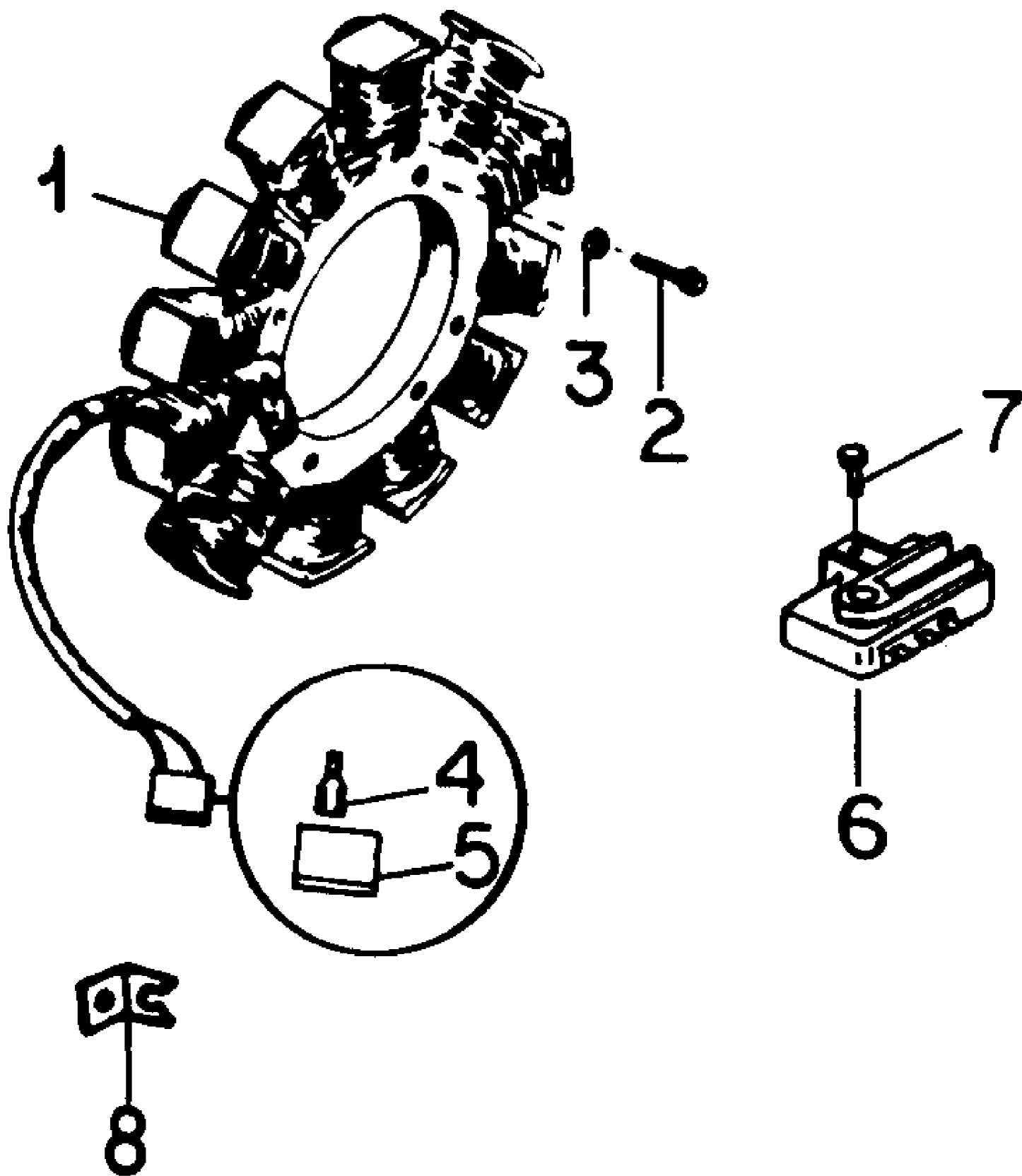
984  
Starting Motor (cranking Motor)



## Starting Motor (cranking Motor)

Ref #	Part Number	Qty	S/P/F	Description
1	ME-191-1567	1	/P	Starter Assembly OR
	ME-191-1828	1		Starter Assembly
2	710-0376	2	/P	Screw, Hex Cap, 5/16-18 X 1.0 Lg GR5
3	736-0119	2	S	Washer, Lock, 5/16
4	736-0275	2	S	Washer, Flat, 343 X .687 X .063 Thk
5	ME-307-1031	1		Solenoid
6	ME-191-1359	1	/P	Kit, Drive Parts
7	ME-191-1359	1	/P	Kit, Drive Parts
8	ME-191-1359	1	/P	Kit, Drive Parts
9	ME-191-1359	1	/P	Kit, Drive Parts
10	ME-191-1359	1	/P	Kit, Drive Parts
11	ME-191-1156	1		Gear, Drive
12	ME-191-1048	2		Bolt, Through
13	736-0329	2	S	Washer, Lock, 1/4
14	ME-191-1597	1		Cap, Drive (Used w/Starter Assy ME-191-1255 or ME-191-1567)
	ME-191-1671	1		Cap, Drive (Used w/Starter Assy ME-191-1828)
15	ME-191-1038	1		Washer, Thrust
16	ME-191-1039	1		Armature (Used w/Starter Assy ME-191-1255 or ME-191-1567)
17		1		Not Serviced Separately (Order Repair Kit)
18		1		Not Serviced Separately (Order Repair Kit)
19		1		Not Serviced Separately (Order Repair Kit)
20		1		Not Serviced Separately (Order Repair Kit)
21		1		Not Serviced Separately (Order Repair Kit)
22		1		Not Serviced Separately (Order Repair Kit)
23		1		Not Serviced Separately (Order Repair Kit)
24		1		Not Serviced Separately (Order Repair Kit)
25		1		Not Serviced Separately (Order Repair Kit)
26		1		Not Serviced Separately (Order Repair Kit)
27	ME-191-1040	1		Cap Assy, Commutator [Includes cap, brushholder,.sp .75rings, brushes & terminal hardware (Used
	ME-191-1532	1		Cap Assy, Commutator [Includes cap, brushholder,.sp .75rings, brushes & terminal hardware (Used
28		1		Not Serviced Separately (Order Complete Starter)
	ME-191-1041	1		Brush Kit (Used w/Starter Assy ME-191-1255)
	ME-191-1533	1		Brush Kit (Used w/Starter Assy ME-191-1567)
	ME-191-1841	1		Brush Kit (Used w/Starter Assy ME-191-1828)

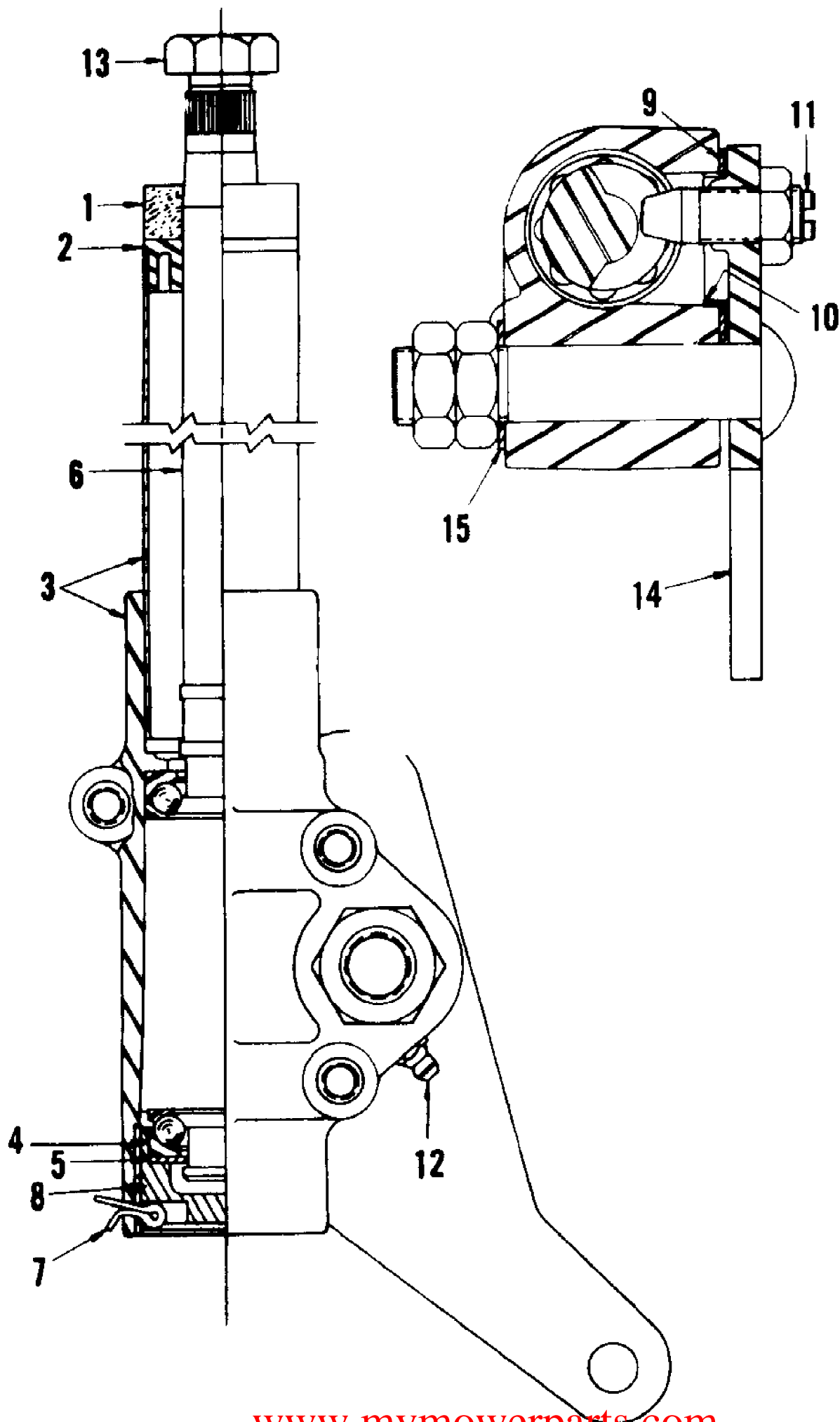




984  
Stator-Alternator

Page 106 of 128

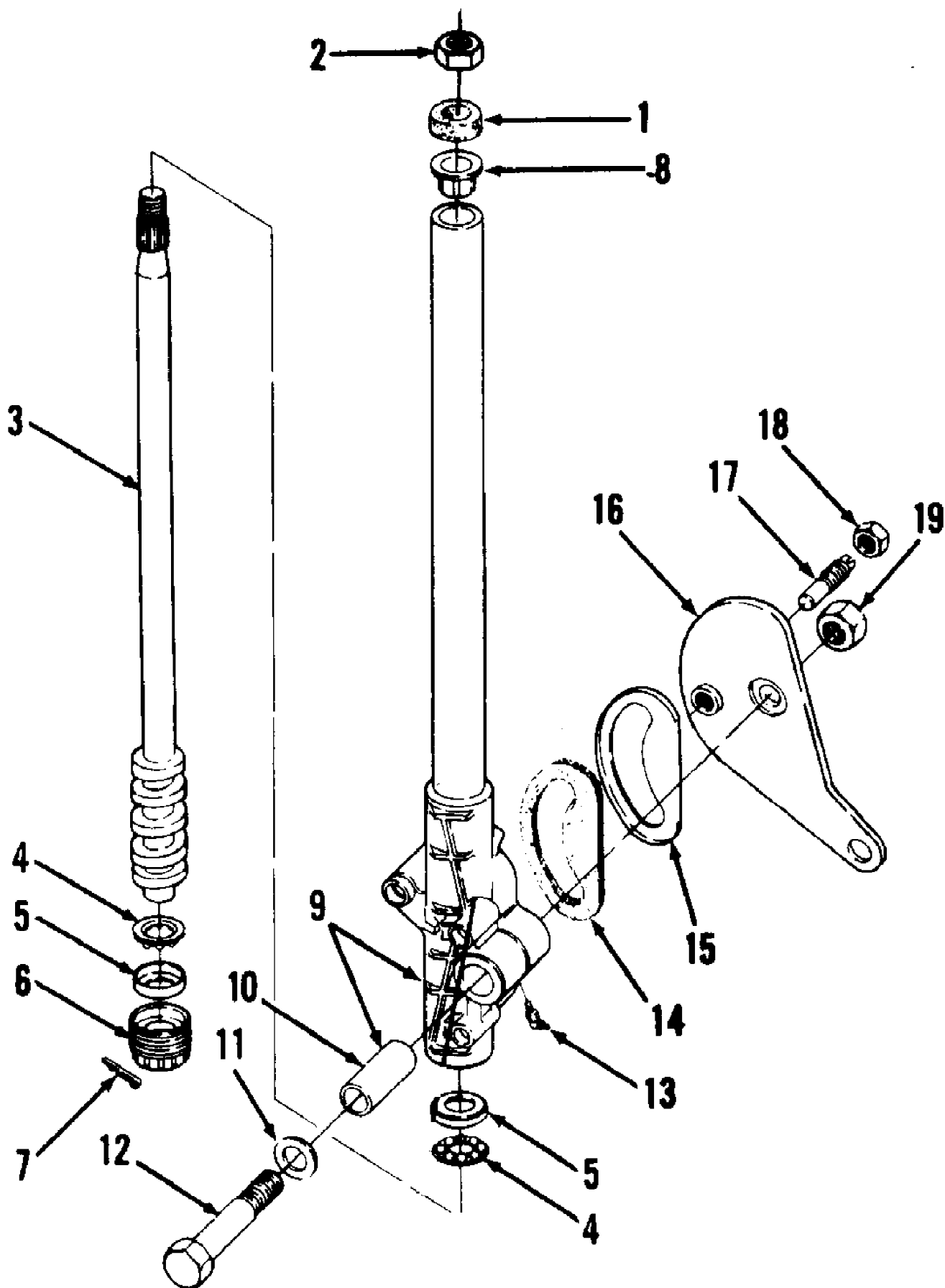
Ref #	Part Number	Qty	S/P/F	Description
1	ME-191-1276	1		Stator
2	ME-813-0143	3		Screw, Stator Mtg
3	736-0722	3	S	Washer, No. 10 Lock
4	ME-332-2073	2		Terminal, Stator Lead
5	ME-323-1257	1		Body, Terminal Connector
6	ME-191-1748	1	S	Regulator, Voltage
7	ME-821-0008	1		Screw, 1/4-20 X 5/16 Hex Flg Lock
8	ME-167-0188	1		Clip, Cable



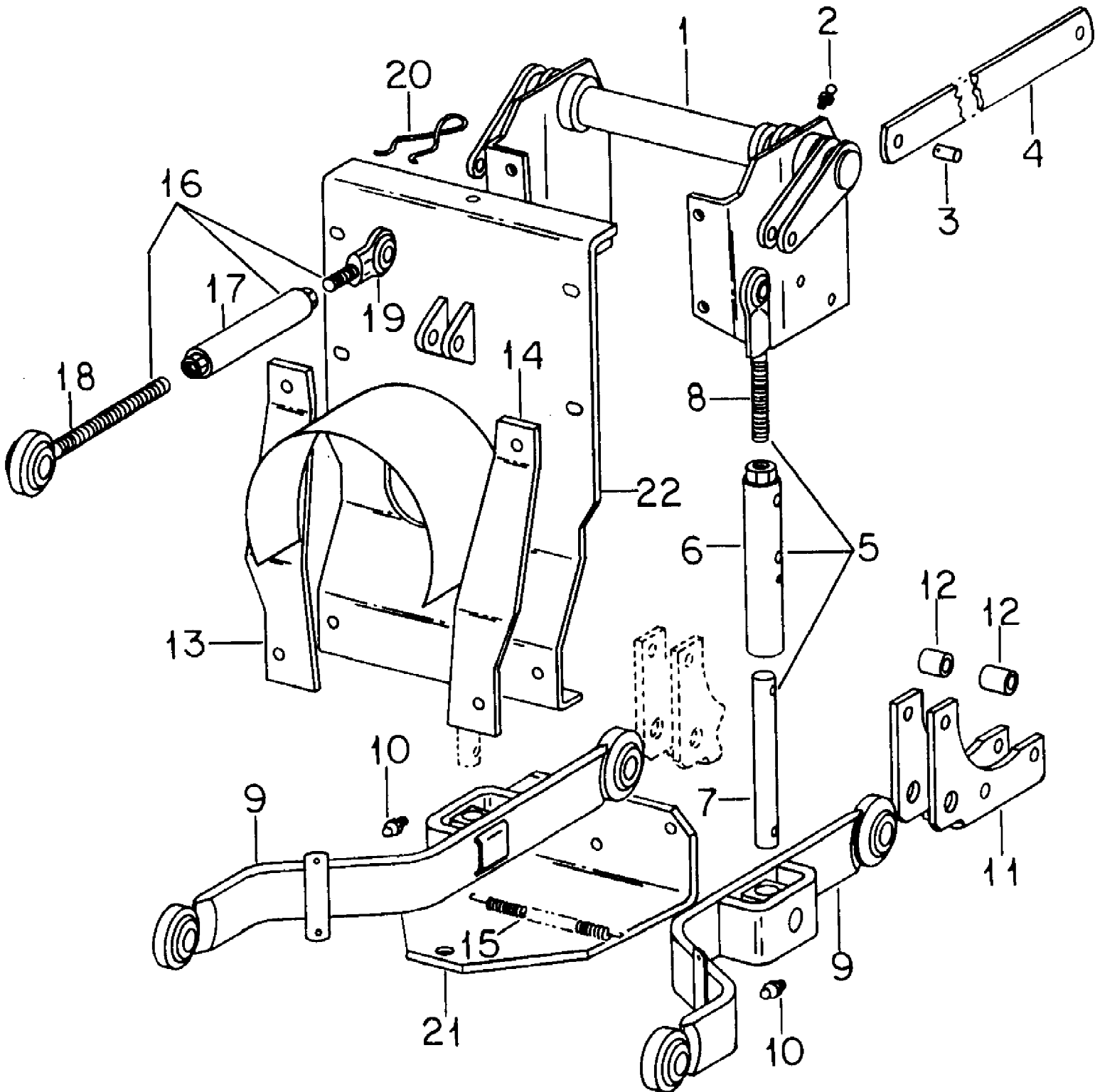
984  
Steering Gear I

Page 108 of 128

Ref #	Part Number	Qty	S/P/F	Description
	703-0230	1		Gear Assy, Steering
1	723-3040	1	/P	Seal, Steering
2	741-3023	1	S	Bearing, Column Upper
3	703-0260	1		Tube Assy, Housing
4	IH-71930-C91	1		Kit, Ball Cup
5	IH-223490-C1	1		Washer, Belleville
6	IH-223457-C1	1		Shaft Assy
7	714-0470	1	S	Pin, Cotter, 1/8 X 1.25 Lg
8	IH-223458-C1	1		Plug, Adjusting
9	IH-223459-C1	1		Seal
10	IH-223460-C1	1		Retainer
11	711-3149A	1	S	Screw, Cam Follower
	712-3035	1	/P	Nut, 9/16-NF Jam Type 5
12	IH-273355	1		Fitting, Lube, 1/4 Drive
13	712-3056	1	/P	Nut, Steering Wheel Jam
14	IH-223462-C1	1		Level & Bolt Assy
15	IH-223491-C1	1		Washer, Flat
	712-3026	1	S	Nut, 3/4-NF Jam Type 5



Ref #	Part Number	Qty	S/P/F	Description
	703-0230	1		Gear Assy, Steering
1	723-3040	1	/P	Seal, Column
2	712-3056	1	/P	Nut, Hex Jam, 5/8-18
3	703-1088	1		Shaft/Cam Assy
4	741-3021	2	S	Retainer Assy, Ball
5	703-1029	2	S	Cup, Bearing
6	719-3053	1	S	Plug, Adjusting
7	714-0474	1	S	Pin, Cotter, 1/8 Dia X .75 Lg
8	741-3023	1	S	Bearing, Column
9	703-1028	1		Housing/Tube Assy (Includes Ref No. 10)
10	748-3008	2		Bushing
11	736-0287	1	S	Washer, Flat, .791 X 1.24 X .060 Thk
12	711-3208	1		Shaft, Pivot
13	737-3001	1	/P	Fitting, Lube, 3/16 Drive Type
14	723-3039	1	S	Seal, Grease
15	703-1031	1		Retainer, Seal
16	703-1089	1		Arm, Steering
17	711-3149A	1	S	Follower, Cam
18	712-3062	1		Nut, Hex Jam, 9/16-18
19	712-3063	1		Nut, Hex Crown Loc, 5/8-18



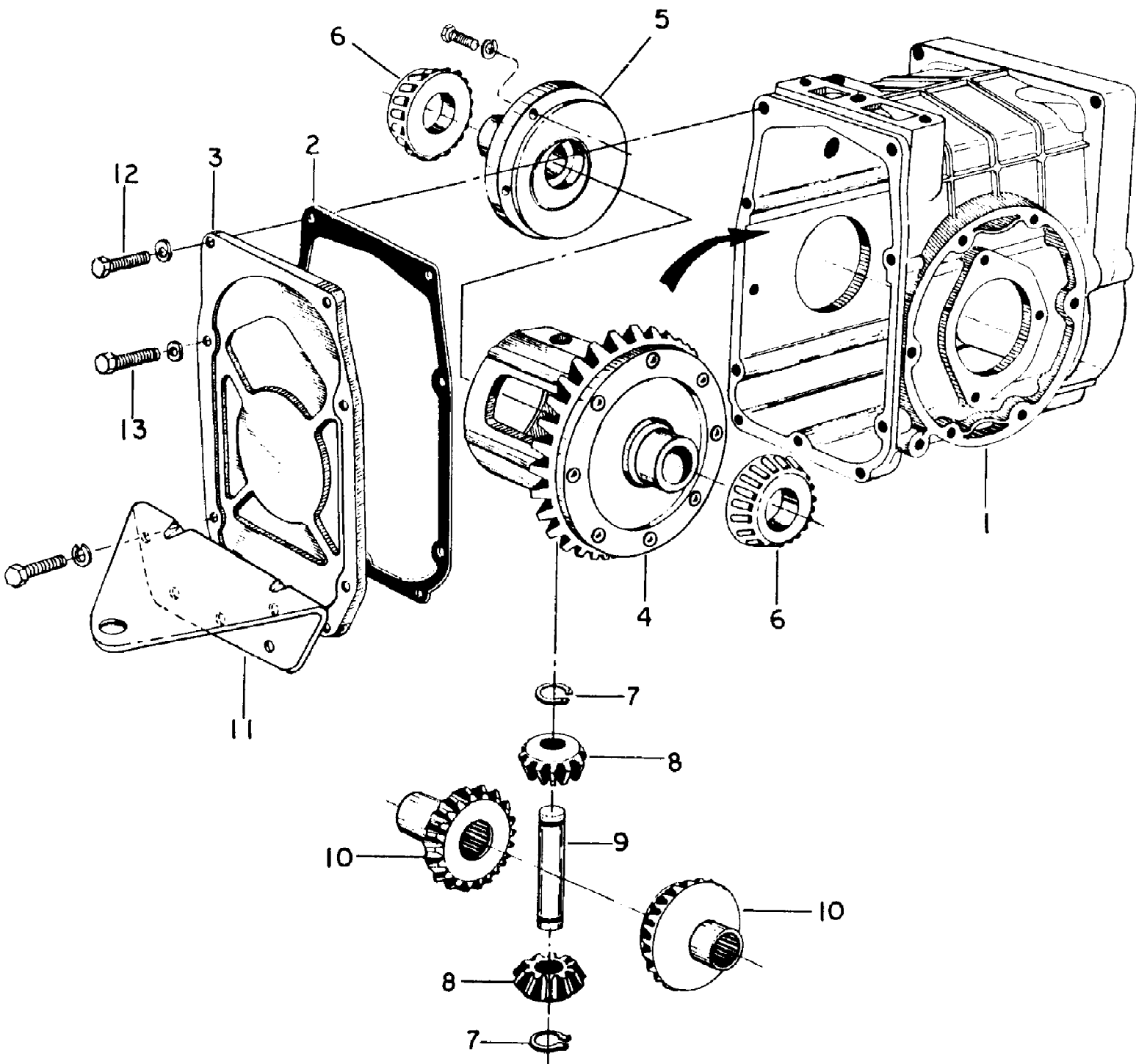
## Three Point Hitch Attachment-Category O

Ref #	Part Number	Qty	S/P/F	Description
1	703-0420	1		Rockshaft Assy
	710-3063	2	S	Bolt, 3/8 X 3/4 Type 8
	712-0798	2	/P	Nut, 3/8 Type 5
	IH-24841-R1	1		Bolt, 3/8 X 1-1/2 Phc Type 8
	710-3030	2		Bolt, 7/16 X 3/4 Type 5
	712-3019	2	S	Nut, 7/16 Type 5
	710-3063	6	S	Bolt, 3/8 X 3/4 Type 8 (Serial No. 720000 and Above)
	IH-20248-R1	2		Bolt, 3/8 X 2-1/4 Type 8
	710-0771	3	/P	Bolt, 3/8 X 3-3/4 Type 5 (Serial No. 719999 and Below)
	710-3045	3		Bolt, 3/8 X 2-1/2 Type 5 (Serial No. 719999 and Below)
	710-3030	2		Bolt, 7/16 X 3/4 Type 5
	712-0798	2	/P	Nut, 3/8 Type 5
	712-3019	2	S	Nut, 7/16 Type 5
2	737-3007	2		Fitting, Straight Dr Type Lub
3	711-3080	1		Pin, Bell Crank Clevis
	715-0134	1	S	Pin, 3/16 X 1-1/2 Hvy Pln Cld Spr
4	703-0428	1	/P	Bar, Implement Lift
	711-3081	1	S	Pin, 1/2 X 2.562 Pln Clevis
	736-0108	1	S	Washer, .500 X 1.125 X .064
5	703-0429	2		Link Assy, Lift
6	703-0430	2	/P	Tube Assy, Lift Link
7	738-3023	2		Stud, Lift Link
	715-0114A	2	S	Pin, 1/4 X 1-1/2 Hvy Pln Cld Spr
	715-3014	2	S	Pin, 1/4 X 1-1/8 Hvy Pln Cld Spr
8	703-0431	2		Rod & End Assy, Lift Link
	715-0152	2		Pin, 1/8 X 5/8 Hvy Pln Cld Spr
	710-3067	2	/P	Bolt, 1/2 X 1-3/4 Type 5
	IH-9413967	2		Nut, 1/2 Cad P/T Lock Type 5
	712-3029	2	/P	Nut, 1/2-NF Jam Type 5
9	703-0432	2		Link Assy, Lower
	711-3084	2		Pin, 5/8 X 1.906 Pln Clevis
	714-3011	2		Pin, 1/8 X 7/8 Pln Cot
10	737-3004	2	/P	Fitting, 1/4-28 Taper Dr Thd 90 Degree Elbow Lub
11	703-0437	2		Plate, Lower Link Support
12	711-3085	6		Spacer, Plate Lower Link Support
	710-3127	6		Bolt, 3/8 X 4 Type 5 (Serial No. 720000 and Above)
	IH-20248-R1	2		Bolt, 3/8 X 1/4 Type 8 (Serial No. 720000 and Above)
	710-0771	3	/P	Bolt, 3/8 X 3-3/4 Type 5 (Serial No. 719999 and Below)
	710-3045	3		Bolt, 3/8 X 2-1/2 Type 5 (Serial No. 719999 and Below)
13	703-0438	1		Cam, Sway Limiter, LH
14	703-0439	1	/P	Cam, Sway Limiter, RH



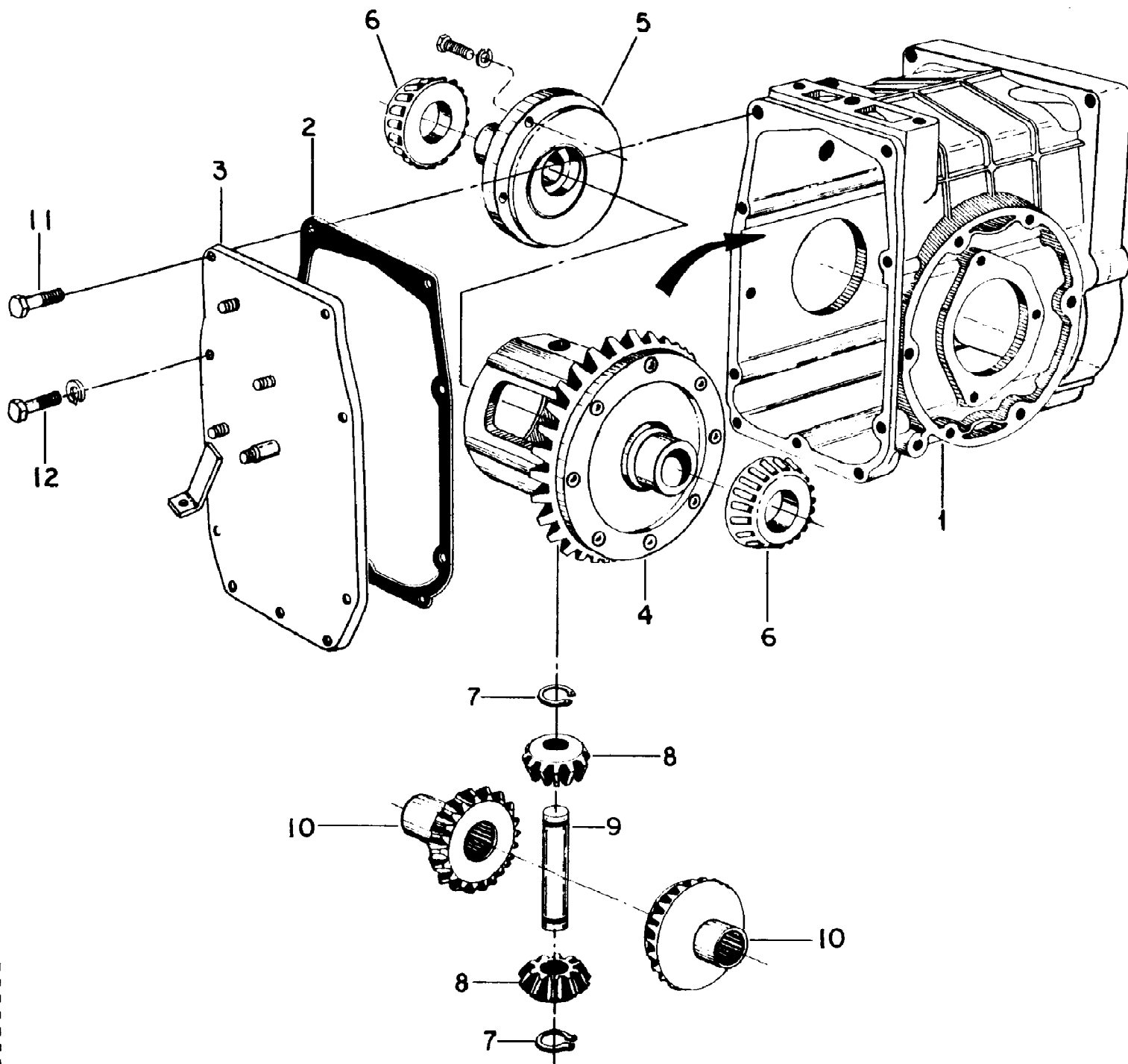
## Three Point Hitch Attachment-Category O

Ref #	Part Number	Qty	S/P/F	Description
	710-0514	2	/P	Bolt, 3/8 X 1 Type 5
	710-3005	2	/P	Bolt, 3/8 X 1-1/4 Type 5
	712-0798	2	/P	Nut, 3/8 Type 5
15	732-3006	1	S	Spring, Sway Limiter
16	703-0440	1	/P	Link Assy, Upper
17	703-0441	1	/P	Tube Assy, Upper Link
18	703-0442	1		Rod Assy, Upper Link Rear
	711-3086	1		Pin, 5/8 X 2.375 Hd Type 5
	714-3012	1		Pin, QA
19	703-0443	1		Rod Assy, Upper Link
	712-3029	1	/P	Nut, 1/2-NF Jam Type 5
	711-3087	1	S	Pin, 1/2 X 1.500 Clevis
	714-0115	1	S	Pin, 1/8 X 1 Cot
20	723-3026	1		Bail, Upper Link Storage
	736-3063	1		Washer, .406 X 1.000 X .105 Pln
	710-0514	1	/P	Bolt, 3/8 X 1 Type 5
21	703-0444	1		Bar, Drawbar (Serial No. 719999 and Below)
	703-0869	1		Bar, Drawbar (Serial No. 720000 and Above)
	710-3005	3	/P	Bolt, 3/8 X 1-1/4 Type 5
	710-0514	2	/P	Bolt, 3/8 X 1 Type 5
	712-0798	2	/P	Nut, 3/8 Type 5
	736-0140	2	S	Washer, .406 X .812 X .051
22	703-0445	1		Plate Assy, Drawbar Support
	710-0514	2	/P	Bolt, 3/8 X 1 Type 5
	712-0798	2	/P	Nut, 3/8 Type 5
	736-0140	4	S	Washer, .406 X .812 X .051



Transm-Diff-W/o Rear PTO &amp; 3 Pnt Hitch-SN 720000 Up

Ref #	Part Number	Qty	S/P/F	Description
1		1		Housing Assy, Rear w/Needle Bearing (See Parts Listing Headed Rear Housing and Gear Housing)
2	721-3015	1	S	Gasket, Rear Cover Plate
3	703-0905	1	/P	Plate, Rear Cover
4	717-3217	1	S	Gear Assy, Ring w/Case
5	717-3137	1		Plate, Diff Flange
	736-0119	4	S	Washer, 5/16 Lock
	710-0528	4	/P	Bolt, 5/16 X 1-1/4 Type 5
6	741-0369	2	/P	Bearing Assy, Differential Cone
7	IH-24937-R1	2		Ring, .616 Hvy Ext Ret
8	717-3113	2	/P	Pinion, Differential -10T
9	717-3133	1		Shaft, Cross
10	717-3112	2		Gear, Side -16T
11	703-0904	1	S	Drawbar, Fixed
	710-0514	5	/P	Bolt, 3/8 X 1 Type 5
	736-0169	5	S	Washer, 3/8 Lock
12	IH-24839-R1	2	S	Bolt, 3/8 X 5/8 Type 5
	736-0169	2	S	Washer, 3/8 Lock
13	710-3000	2	S	Bolt, 3/8 X 3/4 Type 5
	736-0169	2	S	Washer, 3/8 Lock



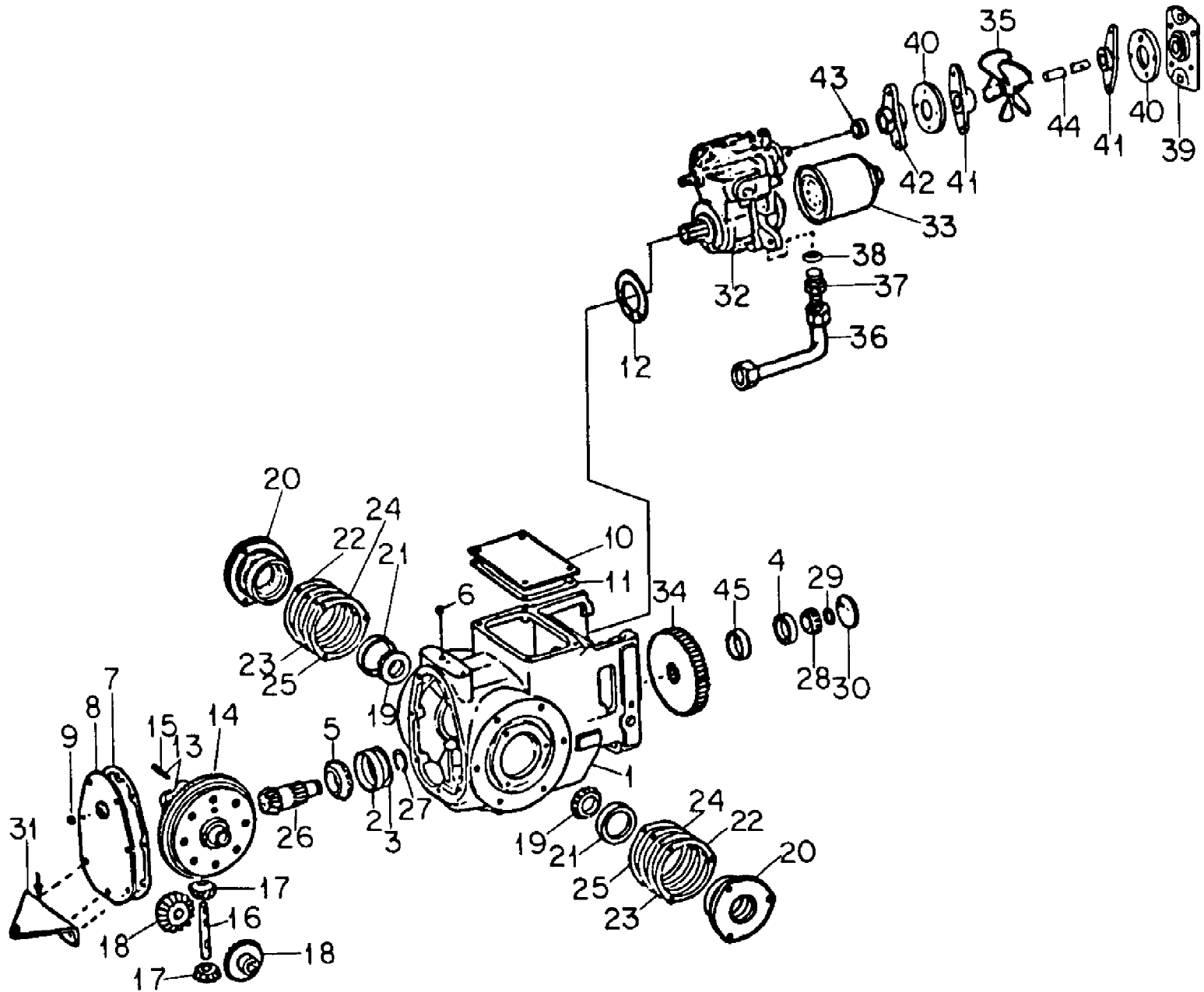
Transm-Diff-W/rear PTO &amp; 3 Pnt Hitch-SN 720000 Up

Ref #	Part Number	Qty	S/P/F	Description
1		1		Housing Assy, Rear w/Needle Bearing (See Parts Listing Headed Rear Housing and Gear Housing)
2	721-3015	1	S	Gasket, Rear Cover Plate
3	703-0913	1		Plate, Rear Cover
4	717-3217	1	S	Gear Assy, Ring w/Case
5	717-3137	1		Plate, Diff Flange
	736-0119	4	S	Washer, 5/16 Lock
	710-0528	4	/P	Bolt, 5/16 X 1-1/4 Type 5
6	741-0369	2	/P	Bearing Assy, Differential Cone
7	IH-24937-R1	2		Ring, .616 Hwy Ext Ret
8	717-3113	2	/P	Pinion, Differential -10T
9	717-3133	1		Shaft, Cross
10	717-3112	2		Gear, Side -16T
11	710-0514	2	/P	Bolt, 3/8 X 5/8 Type 5
	736-0169	2	S	Washer, 3/8 Lock
12	710-3005	7	/P	Bolt, 3/8 X 3/4 Type 5
	736-0169	7	S	Washer, 3/8 Lock



## Transm-Rear Housing &amp; Adapt Housing-SN 720000 &amp; Up

Ref #	Part Number	Qty	S/P/F	Description
1	717-3070	1	/P	Shaft, Bevel Pinion
2	741-0371	1		Bearing Assy, Pinion Shaft Rear Cone
3	741-0370	1		Bearing, Pinion Shaft Rear Cup
4	717-3123	2/AR		Shim, Rear Bearing Cup, .004
	717-3124	2/AR		Shim, Rear Bearing Cup, .015
	717-3125	2/AR	/P	Shim, Rear Bearing Cup, .007
5	710-0844	4		Bolt, 7/16 X 1-3/4 Type 5
6	736-0141	6	S	Washer, 7/16 ID Belleville
7	717-3204	1	S	Housing Assy, Rear
	723-3034	1		Fluid, Gasket Eliminator, -24 CC Tube
	723-3035	1		Fluid, Gasket Remover, -12 Oz Can
	723-3036	1		Fluid, Clean & Cure Primer, -6 Oz Can (Use With Eliminator 723-3034)
8	727-3025	1		Plug, Breather
9	727-3028	1	/P	Tube, Dipstick
	IH-634016-C1	1		Fluid, Thread Sealer, -50 CC Tube
10	703-0911	1	S	Dipstick Assy
	IH-382137-R1	1		O-Ring, 1 X 1-3/16 Class 5
	710-0473	1	/P	Screw, No. 10 X 1/2 P/Hdcr Tap
11	717-3097	3/AR	S	Shim, Bearing Retainer, .004
12	717-3098	4/AR	S	Shim, Bearing Retainer, .007
13	717-3099	2/AR	/P	Shim, Bearing Retainer, .0149
14	717-3100	2/AR	/P	Shim, Bearing Retainer, .0299
15	741-0400	2		Bearing, Cup
16	717-3203	2	S	Retainer, Bearing
	710-0514	6	/P	Bolt, 3/8 X 1 Pln Type 5
	736-0169	6	S	Washer, 3/8 Pln Lock
17	716-0138	2	/P	Ring, Retaining
18	717-3126	1		Gear, Constant Mesh -68T
19	715-0146	2		Pin, 3/8 X 5/8 Dowel
20	717-3202	1		Housing, Adapter
	723-3034	1		Fluid, Gasket Eliminator, -24 CC Tube
	723-3035	1		Fluid, Gasket Remover, -12 Oz Can
	723-3036	1		Fluid, Clean & Cure Primer, -6 Oz Can (Use With Eliminator 723-3034)
21	737-0177	1	/P	Plug, 1/2-14 Pln H/Hd Pipe (Use Teflon Sealing Tape)
22	736-0226	2	S	Washer, .438 X .875 X .064
23	710-0850	2		Bolt, 7/16 X 2-1/2 Type 5
24	741-0372	1	S	Bearing, Pinion Shaft Front Cup
25	741-0373	1	S	Bearing, Pinion Shaft Front Cone
26	717-3127	1/AR	/P	Ring, Front Bearing Retainer, .125
	717-3128	1/AR	S	Ring, Front Bearing Retainer, .119
	717-3129	1/AR	/P	Ring, Front Bearing Retainer, .113
	717-3130	1/AR	/P	Ring, Front Bearing Retainer, .107
	717-3131	1/AR	S	Ring, Front Bearing Retainer, .101
	717-3132	1/AR	/P	Ring, Front Bearing Retainer, .131
27	726-0216	1	/P	Plug, 2-1/8 Pln Expansion



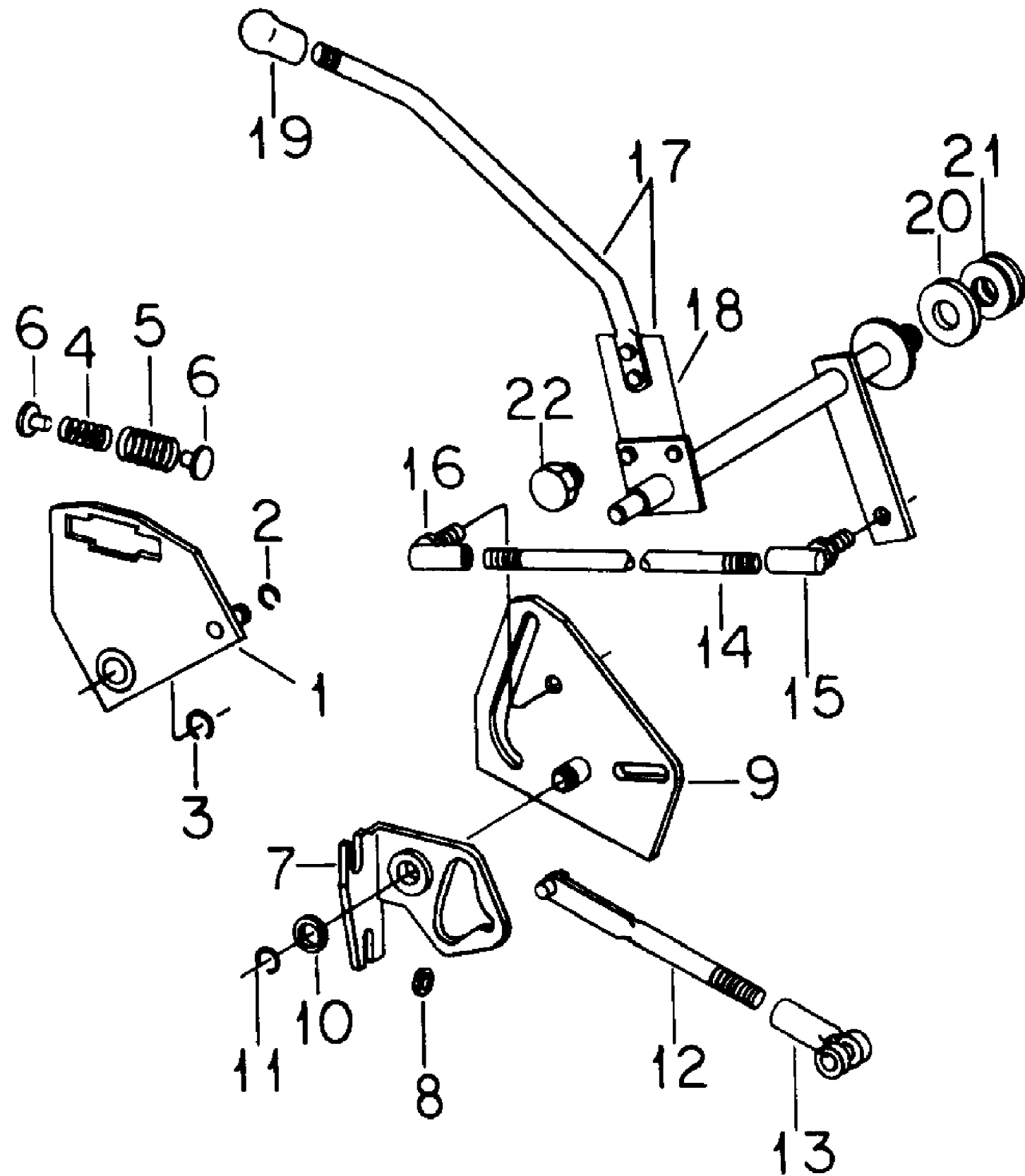


## Transmission Case &amp; Hydro Drive-SN 719999 Down

Ref #	Part Number	Qty	S/P/F	Description
1	IH-135586-C91	1		Case Assy, Transmission
2	741-0370	1		Bearing, Bevel Pinion Shaft Rear Cup
3	717-3123	2/AR		Shim, Rear Brg Cup, .004
	717-3124	2/AR		Shim, Rear Brg Cup, .015
	717-3125	2/AR	/P	Shim, Rear Brg Cup, .007
4	741-0372	1	S	Bearing, Bevel Pinion Shaft Front Cup
5	741-3071	1		Bearing, Bevel Pinion Shaft Rear Cone
6	727-3025	1		Plug, Breather
7	IH-350837-R2	1	S	Gasket, Rear Cover Plate
8	IH-394089-R11	1		Plate Assy, Rear Cover
	IH-24839-R1	2	S	Bolt, 3/8 X 5/8 Pln Type 5
9	737-0177	1	/P	Plug, 1/2-14 Auto Sq Soc Hd Drain
10	IH-144744-C2	1		Cover Assy, Trans. Case
	IH-144777-C2	1		Gage, Oil Level
11	IH-394091-R1	1		Gasket, Top Cover
	710-3000	4	S	Bolt, 3/8 X 3/4 Pln Type 5
12	721-3004	1	S	Gasket, Front
13	IH-223472-C91	1		Case w/Drive Gear, Differential (Replaces IH-350785-R92)
14	IH-350787-R1	1		Gear, Drive -46T
	~NLA	8		Rivet, 5/16 X 1-1/8 Pln But Hd Sol
15	IH-350788-R1	1		Pin, Pinion Shaft Lock
16	IH-350789-R1	1		Shaft, Pinion
17	717-3113	2	/P	Pinion, -10T
18	~NLA	2		Gear, Side (Tractors w/Serial No. 691601 and Below, and Serial No. 691604)
	717-3112	2		Gear, Side (Tractors w/Serial No. 691602, 691603, 691605 and Above)
19	741-0369	2	/P	Bearing, Cone
20	IH-376158-R91	2		Cage Assy, Differential Brg
	IH-24840-R1	6		Bolt, 3/8 X 1 Pln Type 5
	736-0169	6	S	Washer, 3/8 Pln Lock
21	IH-ST974	2		Bearing, Cup
22	717-3097	3/AR	S	Shim, Brg Retainer, .004
23	717-3098	4/AR	S	Shim, Brg Retainer, .007
24	717-3099	2/AR	/P	Shim, Brg Retainer, .0149
25	717-3100	2/AR	/P	Shim, Brg Retainer, .0299
26	IH-394093-R1	1		Shaft, Bevel Pinion
27	IH-323315-C1	1		Ring, Gear Ret
28	741-0373	1	S	Bearing, Bevel Pinion Shaft Frt Cone
29	717-3127	1/AR	/P	Ring, Pinion Shaft Frt Brg Ret, .125
	717-3128	1/AR	S	Ring, Pinion Shaft Frt Brg Ret, .119
	717-3129	1/AR	/P	Ring, Pinion Shaft Frt Brg Ret, .113
	717-3130	1/AR	/P	Ring, Pinion Shaft Frt Brg Ret, .107
	IH-395099-R1	1/AR		Ring, Pinion Shaft Frt Brg Ret, .101
	717-3132	1/AR	/P	Ring, Pinion Shaft Frt Brg Ret, .195
30	726-0216	1	/P	Plug, 2-1/8 Expansion
31	703-0401	1		Drawbar, Fixed
	710-3001	3	/P	Bolt, 3/8 X 7/8 Pln Type 5

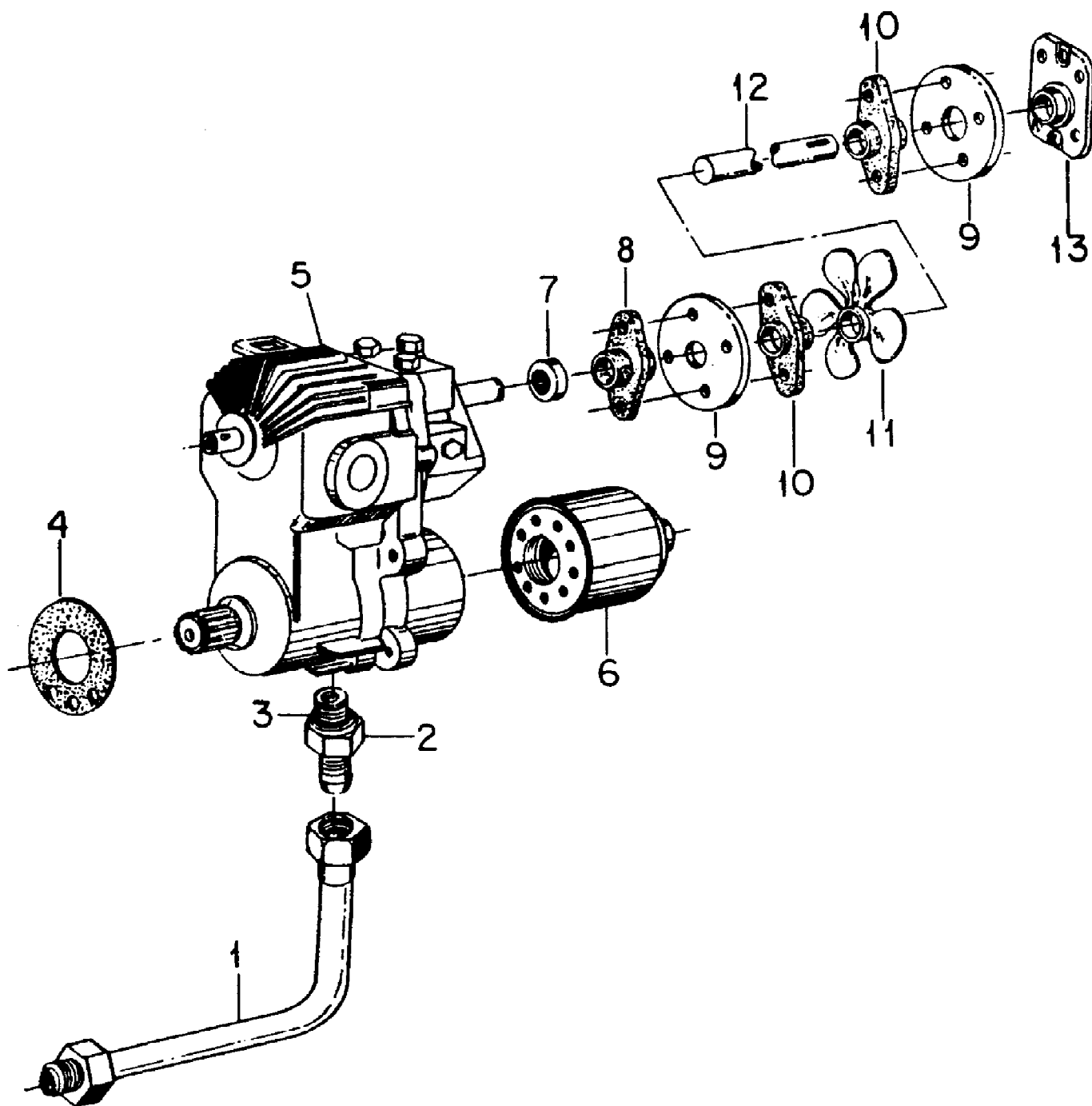
## Transmission Case &amp; Hydro Drive-SN 719999 Down

Ref #	Part Number	Qty	S/P/F	Description
32	717-3034	1		Transmission Assy, Hydrostatic Drive (For Components, See List of Parts Under Details of Hydrostatic Transmissio
	710-3005	6	/P	Bolt, 3/8 X 1-1/4 Pln Type 5
33	723-3014	1	S	Filter
34	717-3126	1		Gear, Constant Mesh -68T
35	731-3013	1	S	Fan, Cooling
	IH-159962	1		Screw, No. 10 X 1-1/4 Znp P/HDCR Mach
	736-0931	2	/P	Washer, .219 X .500 X .036
	712-0998	1	/P	Nut, No. 10 Cad P/T Lock Type 5
36	727-3008	1	S	Tube Assy, Transmission
	IH-56446-D	1	S	Nut, 7/8-18 Hi-Duty Tube
37	727-3009	1	/P	Connector, 37 Deg Hyd Flared Swivel
38	721-3005	1	S	O-Ring, 5/8 OD Tube
39	703-0231	1	/P	Flange, Drive Shaft
	710-3041	4		Bolt, 5/16 X 1/2 Phc Type 8
	710-3034	2	/P	Bolt, 3/8 X 1-1/4 Crg Type 5
	736-0140	8	S	Washer, .406 X .812 X .051
	712-3000	8	S	Nut, 3/8 Cad P/T Lock Type 5
40	722-3000	4	/P	Disc, Flexible Coupling
41	748-3003	2		Arm, Coupling
	710-3037	2	S	Bolt, 3/8 X 1-3/4 Type 5
	710-0520	4	/P	Bolt, 3/8 X 1-1/2 Type 5
	715-3005	2	S	Pin, 3/8 X 1-3/4 Hvy Pln Cld Spr
42	719-3016	1		Coupling, Drive Shaft
	715-3004	1	S	Pin, 1/8 X 1-1/4 Hvy Pln Cld Spr
43	741-3004	1	S	Bushing, Self-Aligning Ball
44	738-3015	1	/P	Shaft, Drive
45	IH-530647-R1	1		Spacer, Pinion Shaft Gear



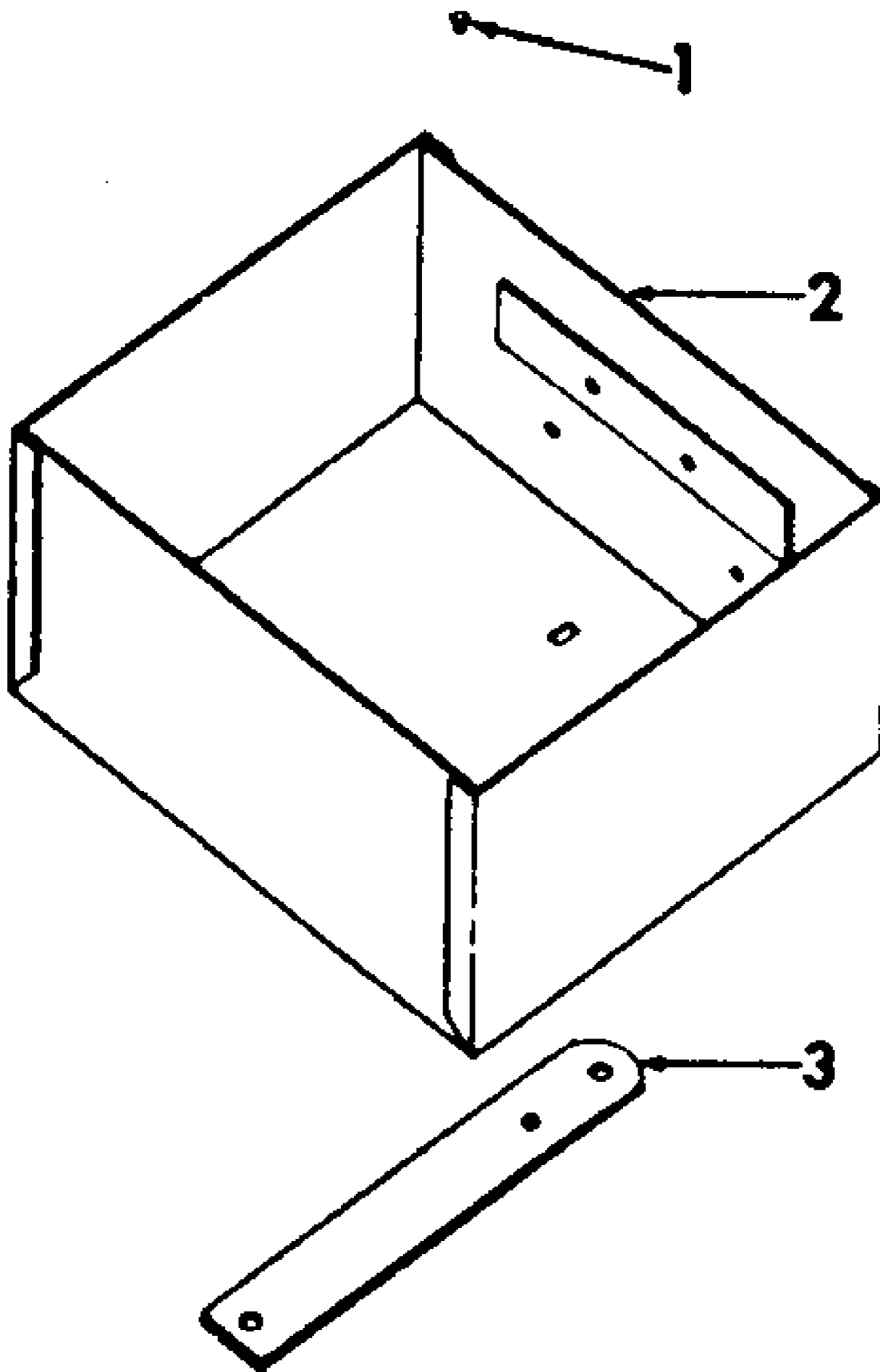
## Transmission Controls

Ref #	Part Number	Qty	S/P/F	Description
1	703-0194	1	S	Plate Assy, Damper Spring
2	716-3000	1	S	Ring, Retaining
3	716-0115	1	S	Ring, Retaining
4	732-3012	1	S	Spring, Damper LT
5	732-3013	1	S	Spring, Damper HV
6	711-3033	2	S	Pin, Damper Spring Guide
7	703-0196	1		Bracket Assy, Cam Pivot
	710-0520	2	/P	Bolt, 3/8 X 1-1/2 Pln Type 5
8	736-0267	2	S	Washer, .406 X .812 X .065
9	703-0198	1	S	Cam Assy, Control
10	IH-394049-R1	1	S	Washer, Cam Retaining
11	716-0865	1	/P	Ring, Cam Retaining
12	703-0232	1	/P	Rod Assy, Control
13	719-3013	1	/P	Clevis, 3/8 Rod End
	736-0140	1	S	Washer, .406 X .812 X .051
	714-0507	1	S	Pin, 3/32 X 3/4 Cot
	712-3001	1	S	Nut, 3/8-NF Pln Jam Type 5
14	747-3026	1	/P	Stud, Connecting
15	723-3011	1	S	Joint, 5/16-24 Znd Ball
	736-0119	1	S	Nut, 5/16-NF Type 5
16	723-3012	1	S	Joint, 5/16-24 Znd Ball
	712-0237	2	S	Nut, 5/16-NF Cad P/T Lock Type 8
17	703-0201	1	/P	Shaft Assy, Cross
18		1		Spring, Flat (Order 703-0201)
19	720-3000	1	S	Knob, Control
20	723-3013	1	S	Disc, Friction
21	736-3022	3	S	Washer, Belleville
	712-3053	1	S	Nut, 1/2-NF Cad P/T Lock Type 5
22	710-3033	1		Bearing, Rockshaft
	712-3026	1	S	Nut, 3/4-NF Jam Type 5
	IH-131017	1		Washer, .812 X 1.469 X .108



## Transmission-Hydrostatic Drive-SN 720000 &amp; Up

Ref #	Part Number	Qty	S/P/F	Description
1	727-3027	1		Tube Assy, Transmission
	IH-56446-D	1	S	Nut, 5/8 Tube
2	727-3009	1	/P	Connector, 5/8 C-Z Hyd Fld Short Swivel
3	721-3005	1	S	O-Ring, 5/8 OD Tube Class 6
4	721-3004	1	S	Gasket, Front
5	717-3034	1		Transmission, Hydrostatic
	710-0520	4	/P	Bolt, 3/8 X 1-1/2 Type 5
6	723-3014	1	S	Filter, Oil
7	741-3004	1	S	Bushing, Self Aligning Ball
8	719-3016	1		Coupler, Drive Shaft
	715-3004	1	S	Pin, 1/8 X 1-1/4 Hvy Pln Cld Spr
9	722-3000	4	/P	Disc, Flexible
10	748-3003	2		Arm, Coupling
	710-3037	2	S	Bolt, 3/8 X 1-3/4 Type 5
	710-0520	4	/P	Bolt, 3/8 X 1-1/2 Type 5
	715-3005	2	S	Pin, 3/8 X 1-3/4 Hvy Pln Cld Spr
11	731-3013	1	S	Fan, Cooling
	710-0460	1		Screw, #10 X 1-1/2 Znp P/Hdcr Mach
	736-0931	2	/P	Washer, .219 X .500 X .036
	712-0998	1	/P	Nut, No. 10 Cad P/T Lock Type 5
12	738-3015	1	/P	Shaft, Drive
13	703-0231	1	/P	Flange, Drive Shaft
	710-3041	1		Bolt, 5/16 X 1/2 Phc Type 8
	710-3034	2	/P	Bolt, 3/8 X 1-1/4 Crg Type 5
	736-0140	8	S	Washer, .406 X .812 X .051
	712-3000	8	S	Nut, 3/8 Cad P/T Lock Type 5



984  
Utility Box-SN 719999 & Below

Page 128 of 128

Ref #	Part Number	Qty	S/P/F	Description
1	~NLA	2		Pin, Drain Hole
		2		Pin, 1/16 X 1/2 Cot (Common Hardware, Purchase Locally)
2	~NLA	1		Box Assy, Utility
	~NLA	2		Plug, 1-9/16 C-Z Button
	IH-645342-C1	4		Spacer, .407 X .625 X 1.00
	710-0427	2	S	Bolt, 3/8 X 2 Type 5
3	IH-390025-R1	1		Extension, Drawbar
	710-0389	1	/P	Bolt, 3/8 X 3/4 Crg Type 1
	712-0798	1	/P	Nut, 3/8 Type 5
	736-0169	1	S	Washer, 3/8 Lock
		1		Bolt, 1/2 X 1-1/4 Cad Crg Type 1 (Common Hardware, Purchase Locally)
	712-0206	1	S	Nut, 1/2 Type 5
	736-0921	1	S	Washer, 1/2 Lock