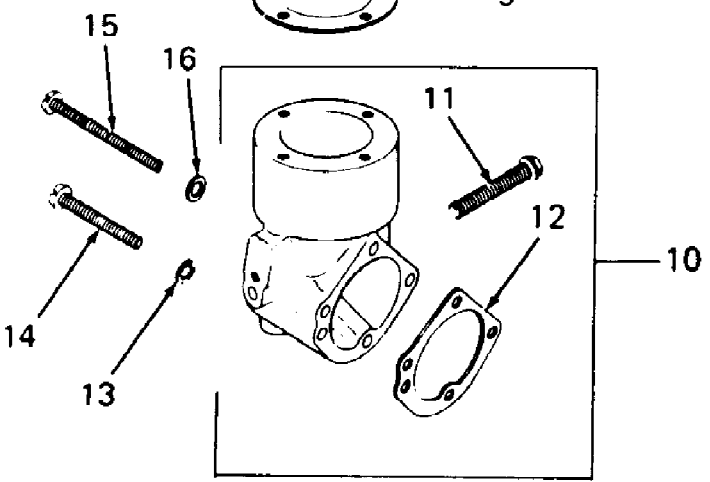
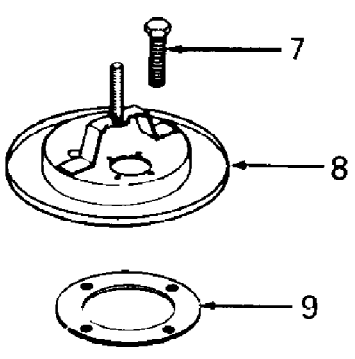
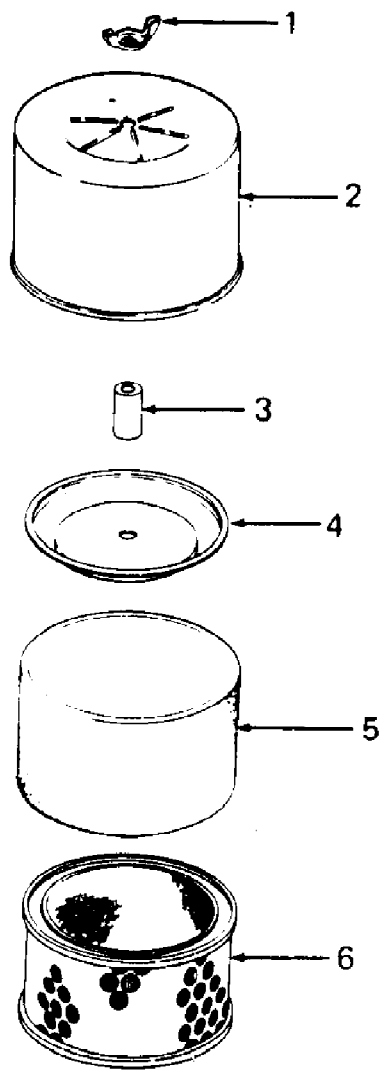


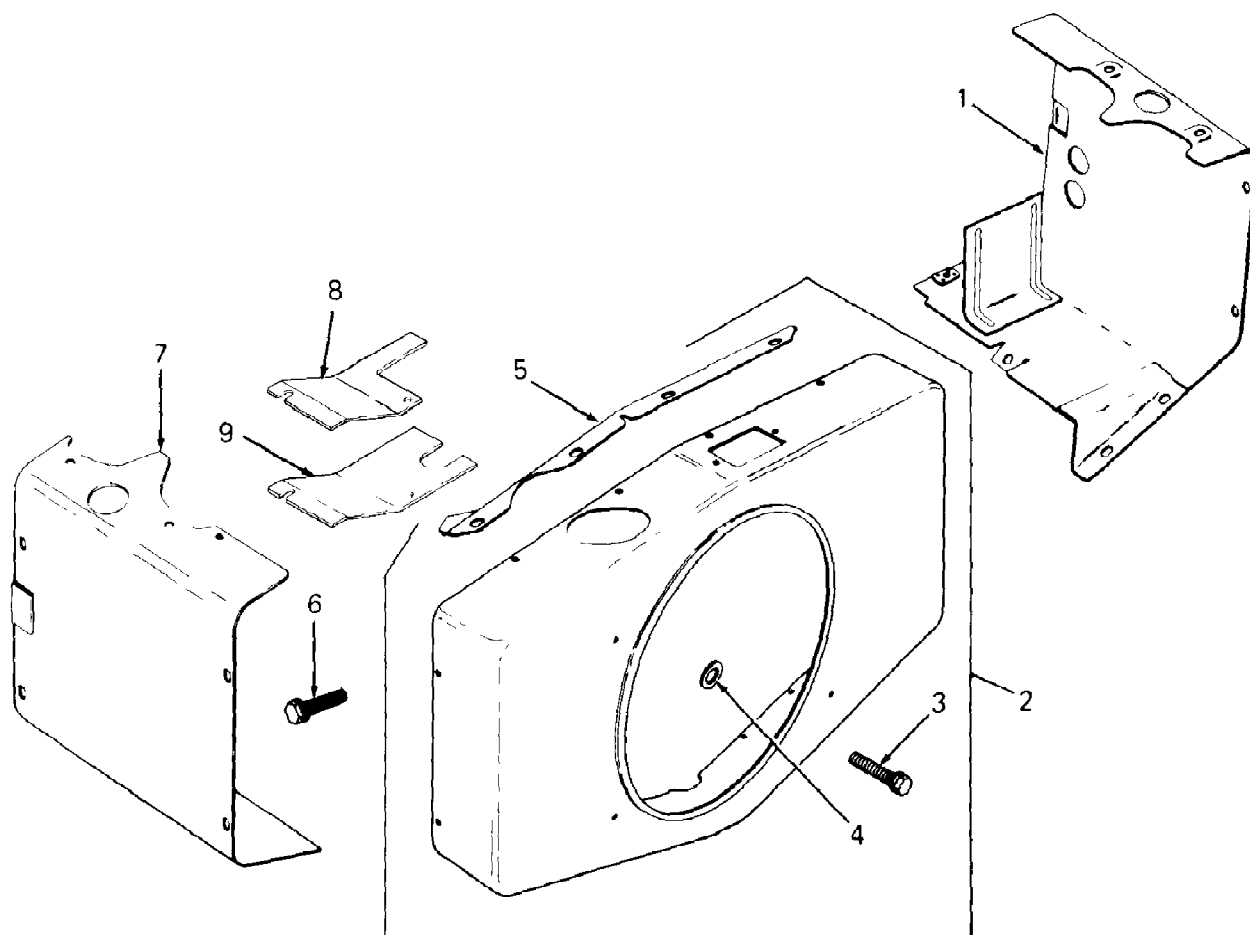
1882 S/N 800,000 - 821,059
Air Intake



1882 S/N 800,000 - 821,059
Air Intake

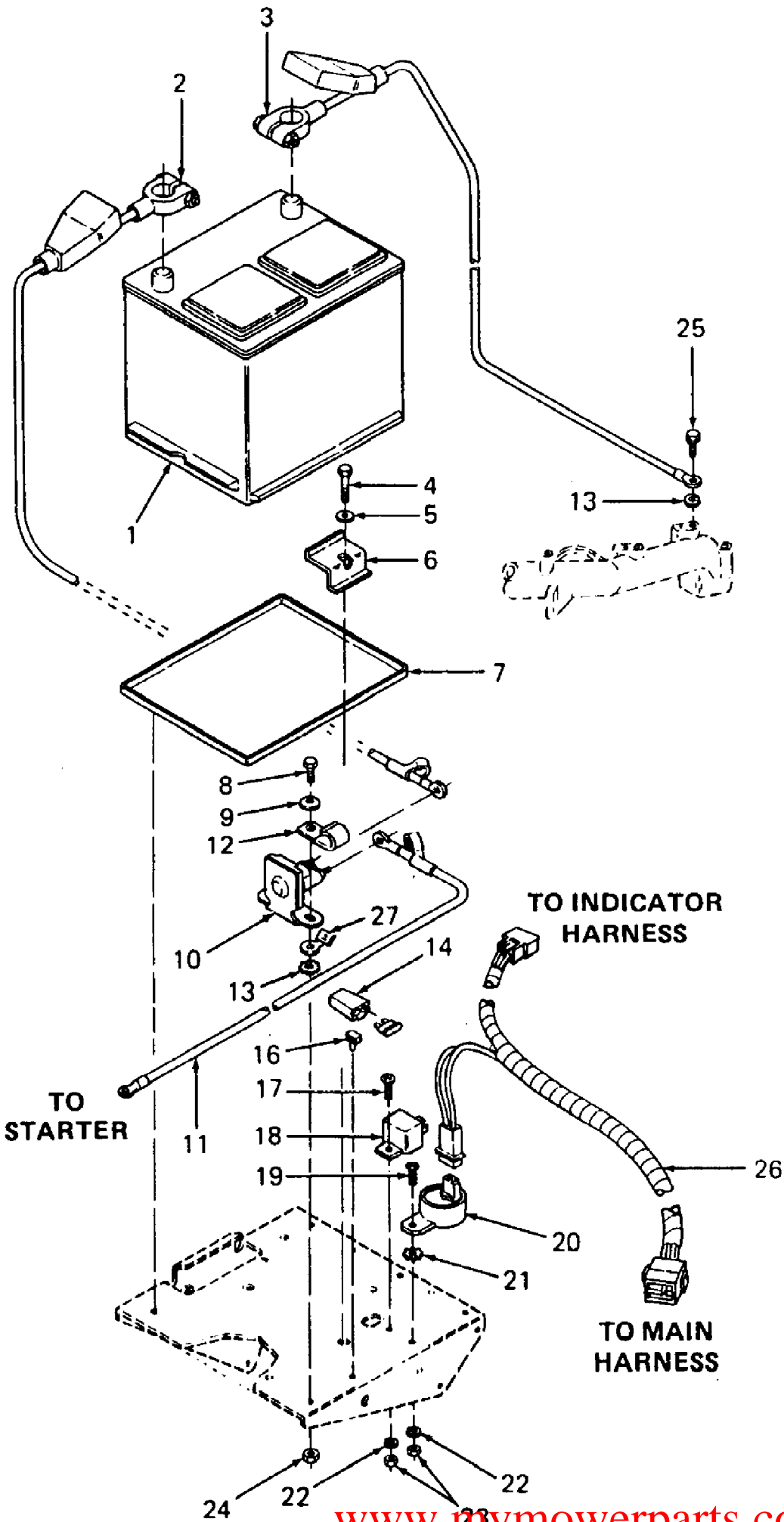
Ref #	Part Number	Qty	S/P/F	Description
1	KH-X-276-7	1	S	Nut, Wing, 1/4-20
2	KH-45-082-01	1	/P	Cover, Air Cleaner
3	KH-231032	1	/P	Seal, Element Cover
4	KH-52-082-04	1	/P	Cover, Air Cleaner Element
5	KH-45-083-01	1	S	Precleaner
6	759-3359	1	S	Element
7	KH-X-67-98	4	S	Screw, Slted Hex Wash Hd, #10-32 X .56 Lg
8	KH-52-094-06	1	/P	Base, Air Cleaner
9	KH-277093	1	/P	Gasket, Air Cleaner
10	KH-52-754-01	1	/P	Kit, Elbow (Includes Ref No. 11 & 12)
11	KH-52-086-11	1		Screw, Hex Cap, 1/4-20 X .62 Lg
12	KH-25-041-06	1	/P	Gasket, Air Intake Elbow
13	KH-X-22-9	2		Washer, I.T. #10
14	KH-X-50-57	2	S	Screw, Slted Pan Hd, #10-32 X 1.5 Lg
15	KH-X-50-37	1	/P	Screw, Slted Pan Hd, #10-32 X 2.25 Lg
16	KH-X-25-79	1		Washer, Plain, #10
	KH-25-113-07	1		Decal, Air Cleaner Instruction

1882 S/N 800,000 - 821,059
Baffles & Shroud



1882 S/N 800,000 - 821,059
 Baffles & Shroud

Ref #	Part Number	Qty	S/P/F	Description
1	KH-52-063-18	1	S	Baffle, #1 Cylinder Head
2	KH-52-755-71	1	S	Kit, Blower Housing [Includes 3, (Qty 2) 4 (Qty 2) & 5]
3	KH-52-086-11	2		Screw, Self Tap, 1/4-20 X 5/8
4	KH-52-468-16	2		Washer, Flat, 1/4
5	KH-52-217-01	1		Support, Upper Housing
6	KH-X-67-83	19	S	Screw, Hex Wash Hd, 1/4-20 X 7/16
7	KH-52-124-02	1	S	Baffle, #2 Cylinder Head
8	KH-52-063-01	1	S	Baffle, #2 Cylinder Top
9	KH-52-063-39	1		Baffle, Pump Used on Tractors w/Serial No. 811,501 & above)
	KH-52-113-32	2	S	Decal, HP

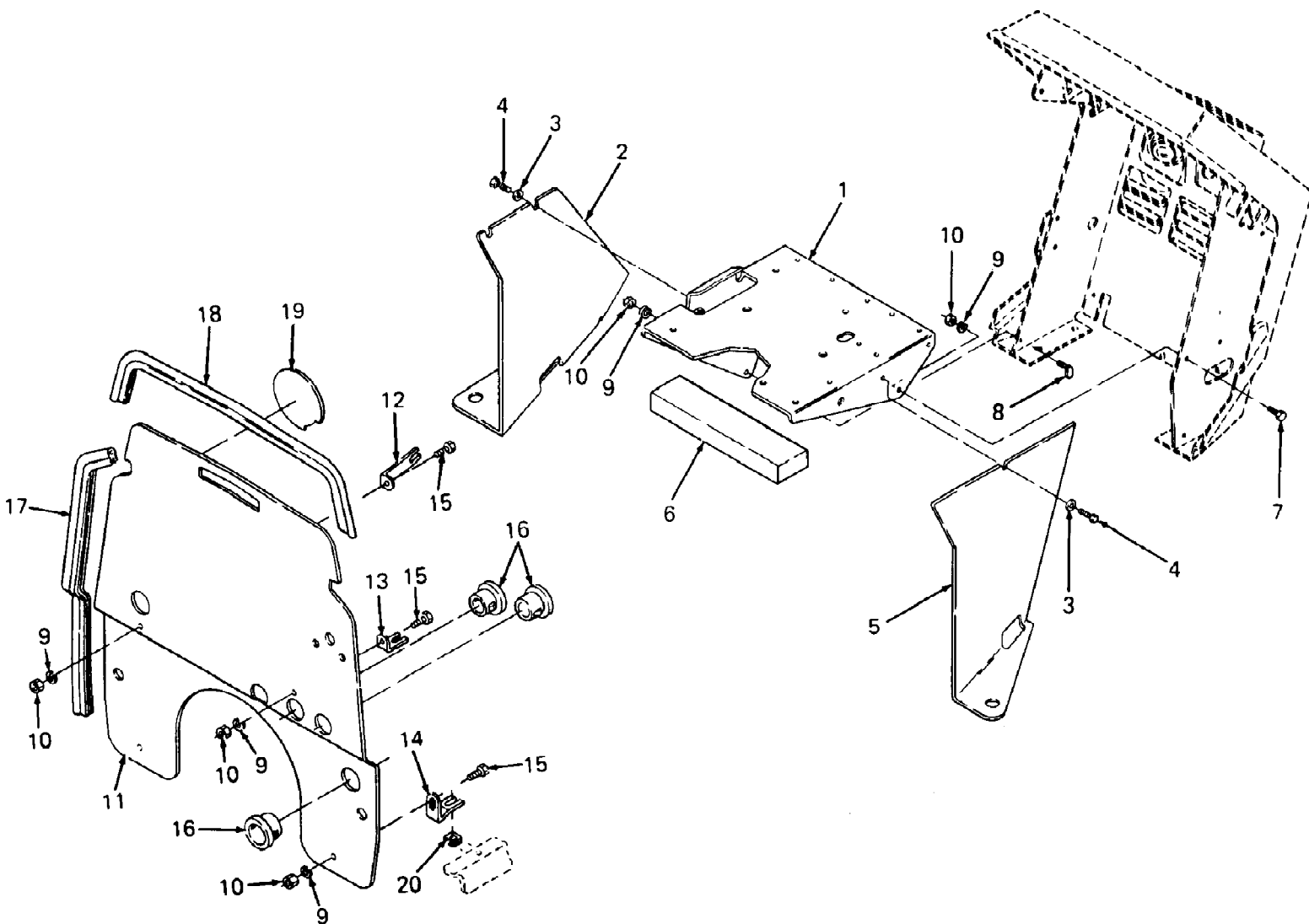


1882 S/N 800,000 - 821,059
Battery & Electrical Components

Page 6 of 102

Ref #	Part Number	Qty	S/P/F	Description
1	725-3174	1	S	Battery
2	725-3196	1	/P	Cable, Positive Battery
3	725-3193	1		Cable, Negative Battery
4	710-3083	1	/P	Screw, Hex Cap, 5/16-18 X 1.38 Lg
5	736-0275	1	S	Washer, Flat, .34 X .68 X .062 Thk
6	703-1823	1	S	Hold Down, Battery
7	731-3105	1		Tray, Battery
8	710-0751	2	/P	Screw, Hex Cap, 1/4-20 X .62 Lg GR5
9	736-0270	2	/P	Washer, Bell, .265 X .75 X .062 Thk
10	725-1426	1	S	Solenoid
	736-0119	2	S	Washer, Lock, 5/16
	712-3010	2	S	Nut, Hex, 5/16-18 GR5
11	725-3206	1	S	Cable, Starter
12	726-3008	1	/P	Clip, Cable
13	736-3006	2	/P	Washer, Int-Ext, 1/4
14	729-0207	1		Holder, Fuse
	725-1381	1	S	Fuse, 20 Amp
16	729-0209	1		Clip, Fuse Holder Mtg
17	710-0473	1	/P	Screw, Truss Mach, #10-24 X .50 Lg
18	725-1375	1	S	Relay
19	710-0473	1	/P	Screw, Truss Mach, #10-24 X .50 Lg
20	725-3165	1	S	Indicator, Voltage
21	736-0147	1	S	Washer, External, #10
22	736-0722	2	S	Washer, Lock, #10
23	712-0121	2	S	Nut, Hex, #10-24
24	712-0291	2	S	Nut, Hex Center Lock, 1/4-20
25	710-0653	1	/P	Screw, Hex Wash Hd Tapp, 1/4-20 X .38 Lg
26	725-3204	1		Battery Harness
	726-3020	2		Strap, Tie
27	725-3147	1		Lug, Quick Connect

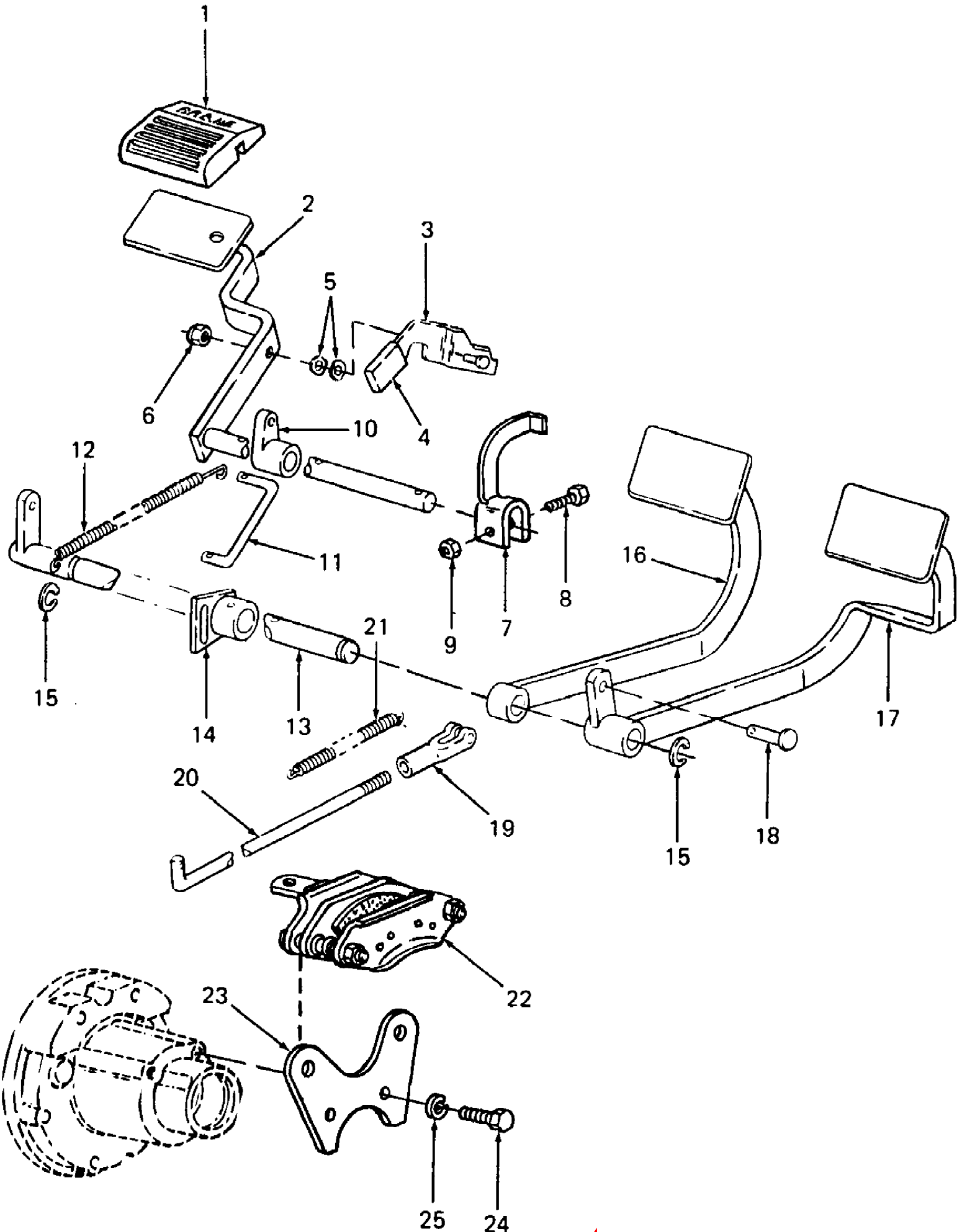
1882 S/N 800,000 - 821,059
Battery Tray & Heat Baffle



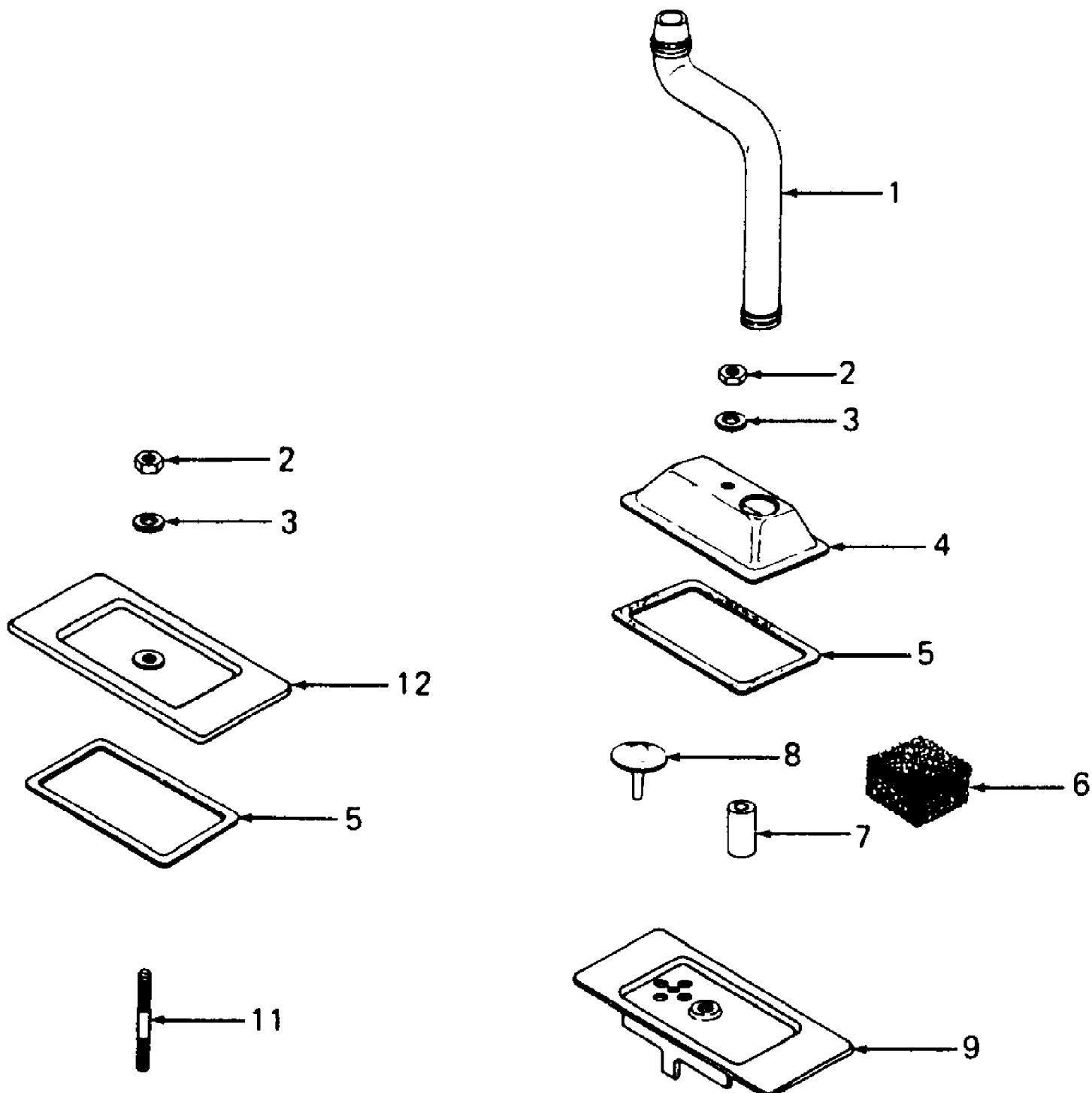
1882 S/N 800,000 - 821,059
Battery Tray & Heat Baffle

Page 8 of 102

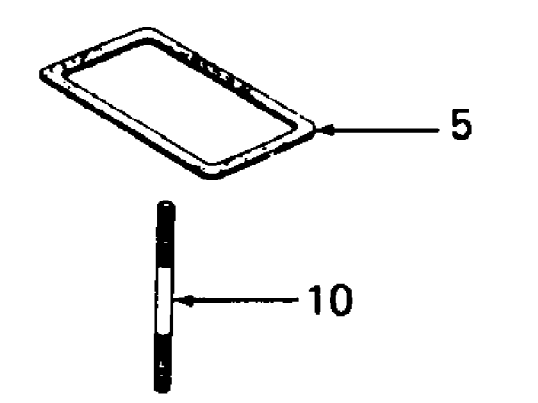
Ref #	Part Number	Qty	S/P/F	Description
1	703-1827	1	S	Tray Assy, Battery
2	703-1880	1		Baffle, Intake - RH (Used on Tractors w/Serial No. 811,500 & below)
3	736-0105	5	/P	Washer, Bell, .380 X .88 X .060 Thk
4	710-0376	5	/P	Screw, Hex Cap, 5/16-18 X 1.0 Lg GR5
5	703-1879	1		Baffle, Intake - LH (Used on Tractors w/Serial No. 811,500 & below)
6	723-3058	1		Strip, Foam Gasket Sealing, 10.31 in. Lg (Used on Tractors w/Serial No. 811,500 & below)
7	710-0751	3	/P	Screw, Hex Cap, 1/4-20 X .62 Lg GR5
8	710-3012	1		Bolt, J-Type, 1/4-20
9	736-0329	8	S	Washer, Lock, 1/4
10	712-3006	9	/P	Nut, Hex, 1/4-20 GR5
11	703-2056	1		Baffle, Heat
12	703-1997	1	S	L-Bracket, 1.9 Lg
13	703-1998	1	/P	L-Bracket, 1.1 Lg
14	703-2057	2	S	L-Bracket
15	710-3013	4	/P	Screw, Hex Cap, 1/4-20 X .5 GR5
16	723-3042	3	/P	Bushing, Snap, 7/8 ID
17	723-3059	2	/P	Seal, Heat Baffle, 19" Lg
18	723-3060	1		Seal, Heat Baffle, 17" Lg
19	735-3040	1		Insulator, "+" Battery Post
20	726-0211	2	S	Nut, U-Type, 5/16-18



Ref #	Part Number	Qty	S/P/F	Description
1	724-3004	1	S	Pad, Brake Pedal
2	703-0848	1		Pedal Assy, Brake
	715-0114	1	S	Pin, Spiral Spring, 1/4 Dia X 1.50 Lg
3	703-1393	1		Bracket, Parking Brake
4	720-3019	1	S	Grip, Parking Brake
5	736-3001	2	/P	Washer, Wave, 1/4 Dia
6	712-0324	1	/P	Nut, Hex Insert Lock, 1/4-20
7	703-1956	1		Bracket, Start Switch
8	710-0106	1	/P	Screw, Hex Cap, 1/4-20 X 1.25 Lg
9	712-0291	1	S	Nut, Hex Center Lock, 1/4-20
10	748-3006	1	S	Lever, Brake
	715-0114	1	S	Pin, Spiral Spring, 1/4 Dia X 1.50 Lg
11	747-3023	1	/P	Rod, Center Brake
	714-0507	2	S	Pin, Cotter, 3/32 Dia X .75 Lg
	736-0185	2	S	Washer, Flat, .406 X .75 X .063 Thk
12	732-3010	1	S	Spring, Extension, .50 OD X 7.32 Lg
13	703-0223	1		Shaft Assy, Brake
14	703-0225	1	S	Arm Assy, Parking Brake Plate
	715-0114	1	S	Pin, Spiral Spring, 1/4 Dia X 1.50 Lg
15	716-3001	2	S	Ring, Retaining
16	703-0412	1		Pedal Assy, LH - Brake
	715-3000	1	S	Pin, Spiral Spring, 1/4 Dia X 1.38 Lg
17	703-0416	1		Pedal Assy, RH - Brake
	737-3000	1	S	Fitting, Lube, 3/16 Drive Type
18	711-3037	2	S	Pin, Clevis, 3/8 Dia X 1.56 Lg
	736-0185	2	S	Washer, Flat, .406 X .75 X .063 Thk
	714-0507	2	S	Pin, Cotter, 3/32 Dia X .75 Lg
19	719-3013	2	/P	Clevis, Adjustment
20	747-3022	2	/P	Rod, Brake
	712-3001	2	S	Nut, Hex Jam, 3/8-24 GR5
	736-0185	2	S	Washer, Flat, .406 X .75 X .063 Thk
	714-0474	2	S	Pin, Cotter, 1/8 Dia X .75 Lg
21	732-3026	2		Spring, Extension, .66 OD X 3.3 Lg
22	759-3423	2		Kit, Brake Caliper
23	703-1787	2		Bracket, Brake Mounting
24	710-0376	4	/P	Screw, Hex Cap, 5/16-18 X 1.0 Lg GR5
25	736-0119	4	S	Washer, Lock, 5/16



NO. 2 CYLINDER

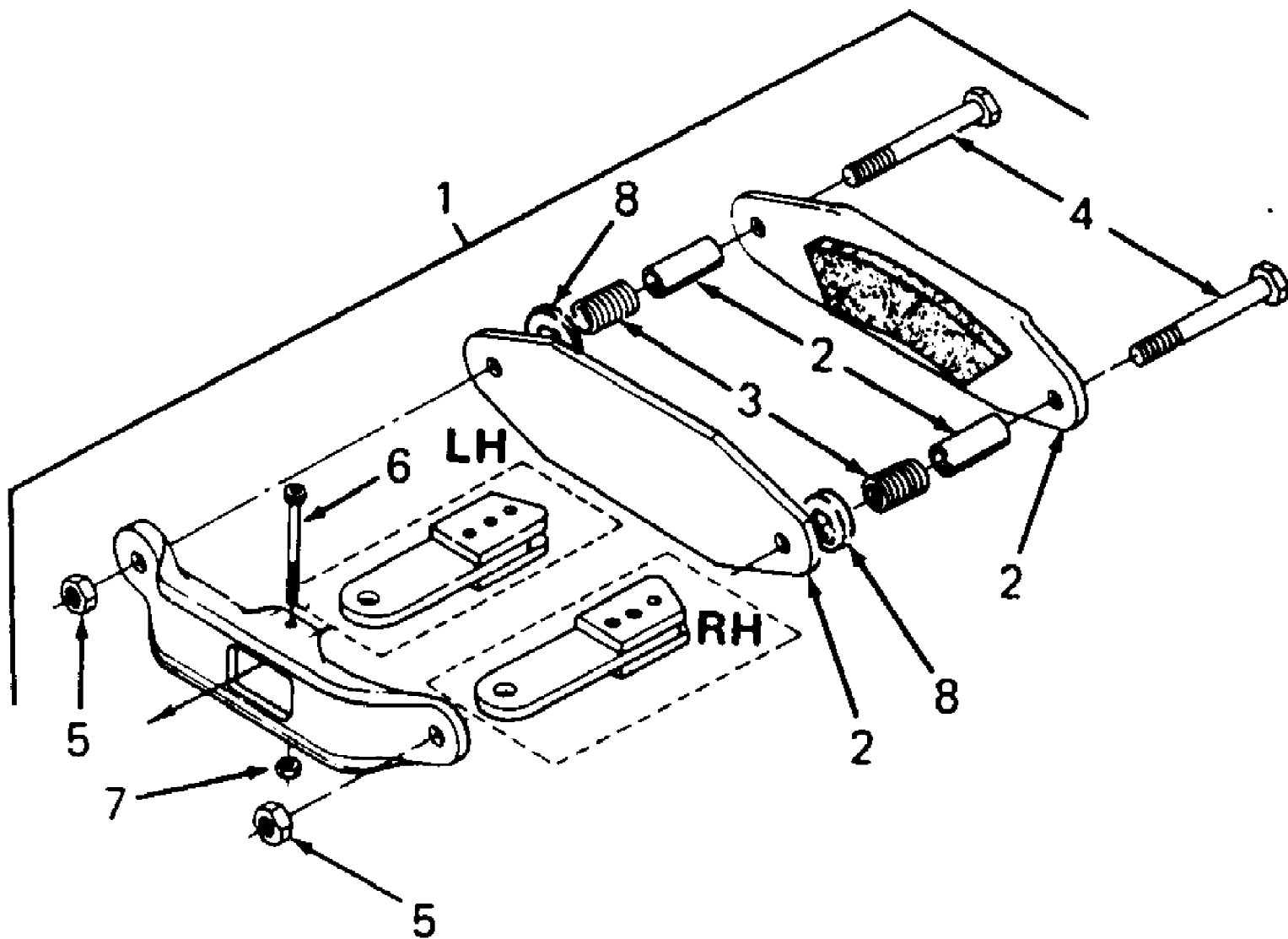


NO. 1 CYLINDER

1882 S/N 800,000 - 821,059
Breather & Vent

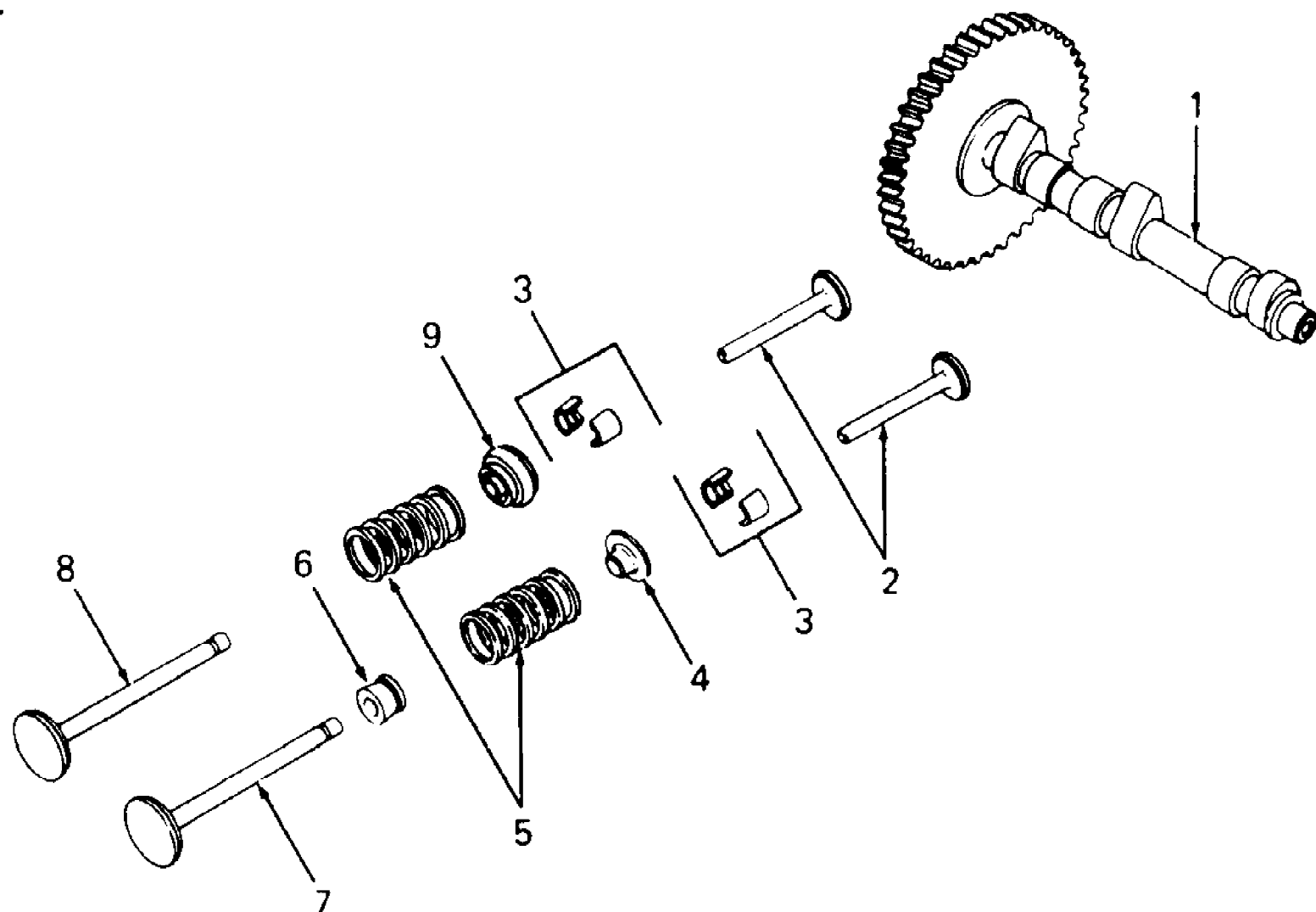
Page 12 of 102

Ref #	Part Number	Qty	S/P/F	Description
1	KH-52-326-05	1	S	Hose, Breather
2	KH-X-81-1	2		Nut, Hex, 1/4-20
3	KH-X-25-12	2	/P	Washer, Plain, 1/4
4	KH-52-096-08	1	/P	Cover, #1 Upper Cylinder Valve
5	KH-52-055-01	3	S	Gasket, Valve Cover
6	KH-231419	1	S	Filter, Breather
7	KH-52-032-04	1	S	Seal, Breather
8	KH-52-462-01	1	S	Valve, Breather
9	KH-52-096-22	1	S	Cover, #1 Lower Cylinder Valve
10	KH-275220	1		Stud, #1 Cylinder Valve Cover, 1/4-20 X 3.25 Lg
11	KH-X-352-39	1		Stud, #2 Cylinder Valve Cover, 1/4-20 X 2.25 Lg
12	KH-52-096-18	1		Cover, #2 Cylinder Valve



1882 S/N 800,000 - 821,059
Caliper Brake Assembly

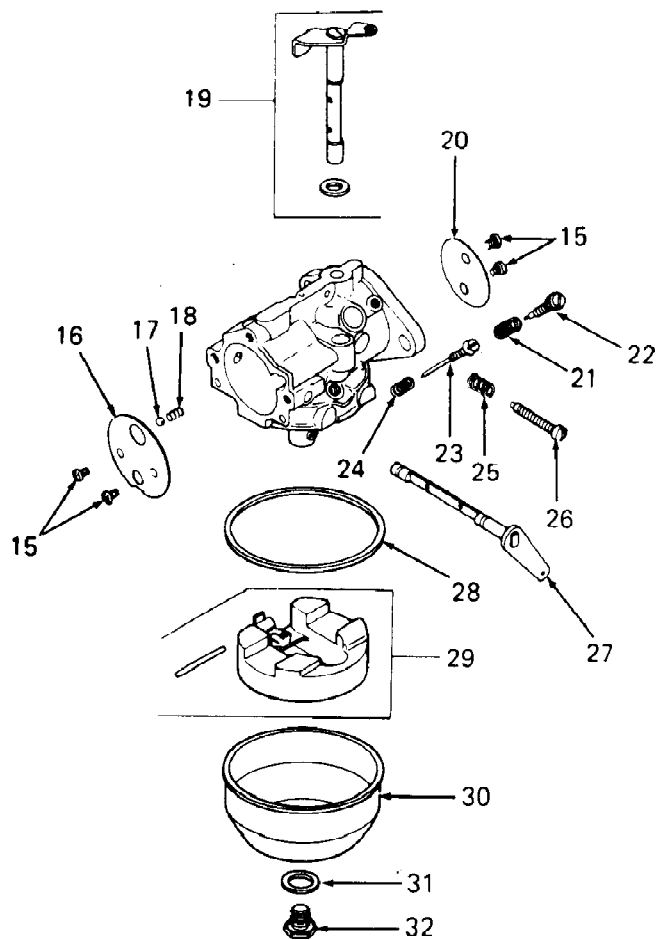
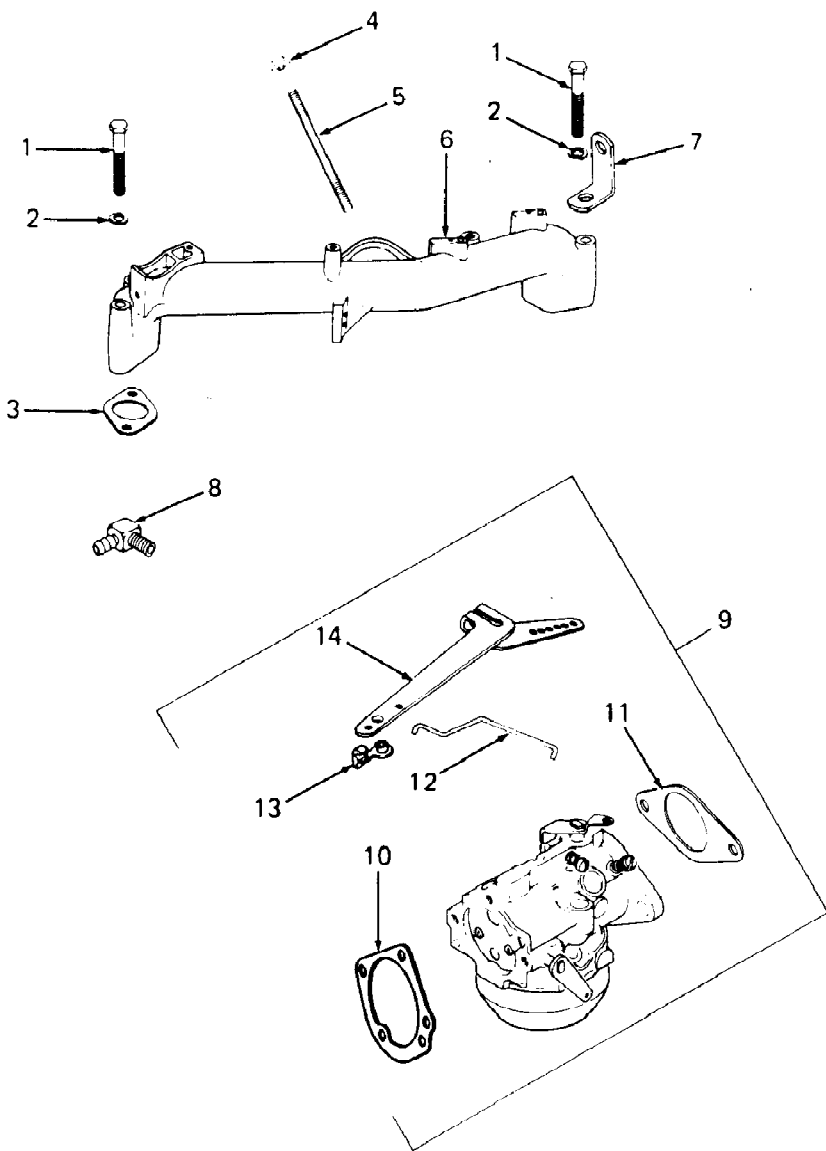
Ref #	Part Number	Qty	S/P/F	Description
1	759-3423	2		Kit, Brake Caliper
2	759-3185	2	S	Puck Kit, Brake
3	732-3042	4	S	Spring, Compression
4	710-0331	4	/P	Screw, Hex Cap, 3/8-24 X 2.25 Lg
5	712-3054	4	/P	Nut, Hex Lock, 3/8-24
6	710-3133	2		Screw, Socket Hd Shld, 5/16-18 X 1.25 Lg
7	712-3055	2	S	Nut, Hex Top Lock Jam, 5/16-18 GR5
8	736-0344	4	S	Washer, Flat, .390 X 1.0 X .030 Thk HDN



1882 S/N 800,000 - 821,059
Camshaft & Valves

Ref #	Part Number	Qty	S/P/F	Description
1	KH-52-012-09	1	S	Camshaft
2	KH-52-019-03	4		Tappet
3	KH-41-755-10	4	/P	Kit, Retainer
4	KH-230011	2	/P	Retainer, Intake Valve
5	KH-25-089-01	4		Spring, Valve
6	KH-52-032-13	2	S	Seal, Intake Valve Stem
7	KH-52-017-08	2		Valve, Intake
8	KH-52-016-05	2		Valve, Exhaust
9	KH-52-413-01	2	/P	Rotator, Exhaust Valve

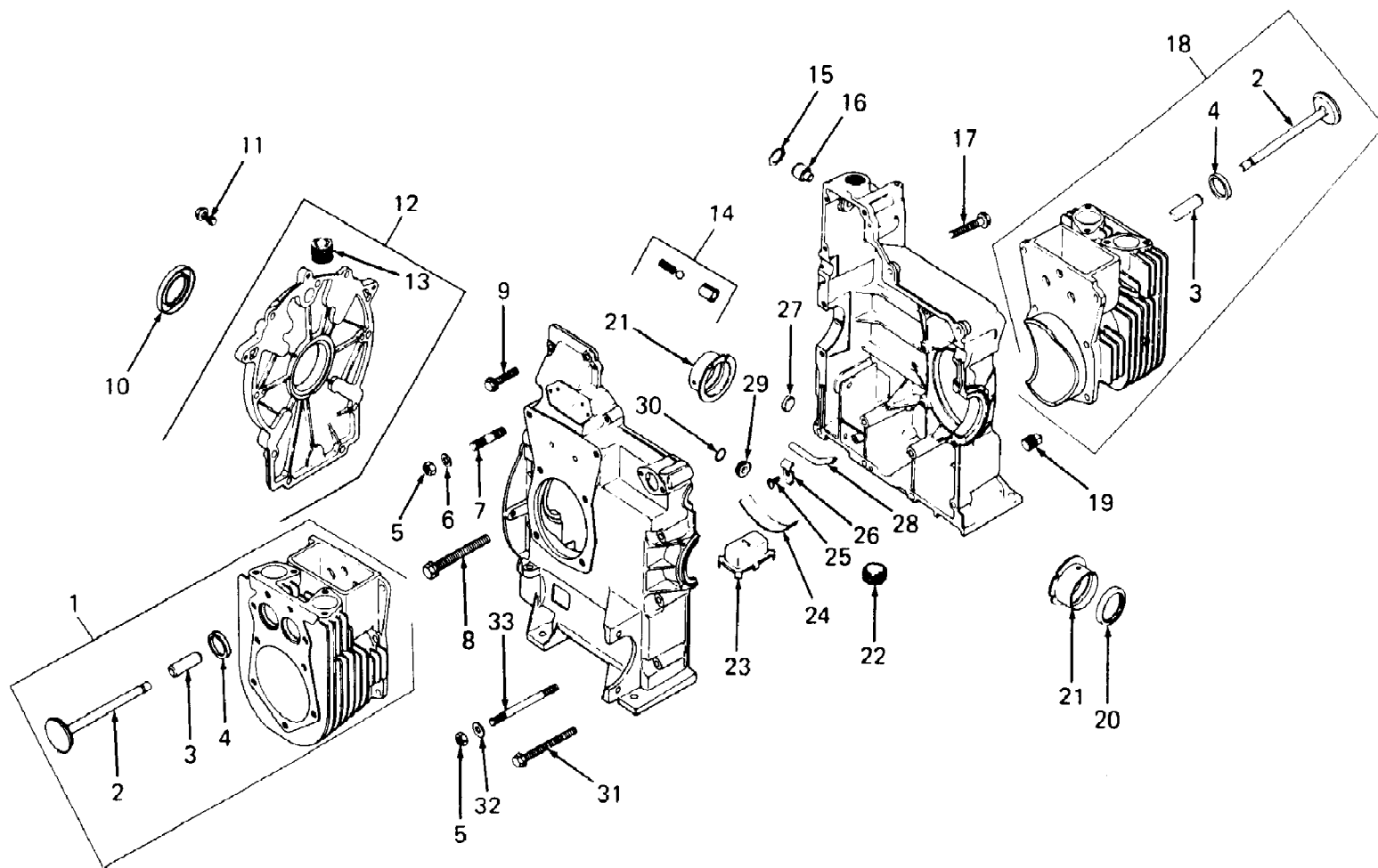
1882 S/N 800,000 - 821,059
Carburetor



1882 S/N 800,000 - 821,059
Carburetor

Page 18 of 102

Ref #	Part Number	Qty	S/P/F	Description
1	KH-X-6-8	4		Screw, Hex Cap, 5/16-18 X 2.75 Lg
2	KH-X-21-1	4		Washer, Lock, 5/16
3	KH-52-041-09	2	S	Gasket, Intake
4	KH-X-77-2	2		Nut, Hex Jam, 5/16-18
5	KH-X-352-37	2	S	Stud, 5/16-18 X 1.0 Lg
6	KH-52-164-10	1		Manifold, Intake
7	KH-52-445-02	2		Strap, Lifting
8	KH-25-155-02	1	/P	Connector, 90
9	KH-52-853-23	1		Kit, Carburetor w/Linkage [Includes Ref No. 10, 11, 12, 13 (Qty 2), 14, 15 (Qty 4), & 16 thru 32]
10	KH-277069	1	S	Gasket, Air Cleaner
11	KH-271030	1	/P	Gasket, Carburetor
12	KH-82-755-07	1	/P	Kit, Governor Linkage [Includes Ref No. 13 (Qty 2)]
13	KH-25-158-09	2	S	Bushing, Governor Linkage
14	KH-52-186-06	1		Arm, Governor
15	KH-25-086-27	4	/P	Screw, Throttle & Choke Plate
16	KH-25-146-03	1		Plate, Choke
17	KH-25-194-01	1		Ball, Choke Friction
18	KH-25-089-03	1		Spring, Choke Friction
19	KH-52-144-18	1		Shaft, Throttle w/Lever & Seal
20	KH-25-146-02	1		Plate, Throttle
21	KH-25-089-02	1		Spring, Idle Fuel
22	KH-25-368-01	1		Needle, Idle Fuel Adj
23	KH-25-368-03	1		Needle, Main Fuel
24	KH-25-089-02	1		Spring, Main Fuel
25	KH-25-089-04	1		Spring, Idle Speed
26	KH-25-086-26	1		Screw, Idle Speed Adj
27	KH-52-090-12	1		Lever, Choke
28	KH-25-041-04	1	/P	Gasket, Bowl
29	KH-25-757-09	1	/P	Kit, Float
30	KH-25-104-01	1		Bowl, Fuel
31	KH-25-041-03	1	/P	Gasket, Bowl Retainer Screw
32	KH-25-100-05	1	S	Screw, Bowl Retainer
	KH-25-757-11	1	/P	Kit, Carburetor Repair



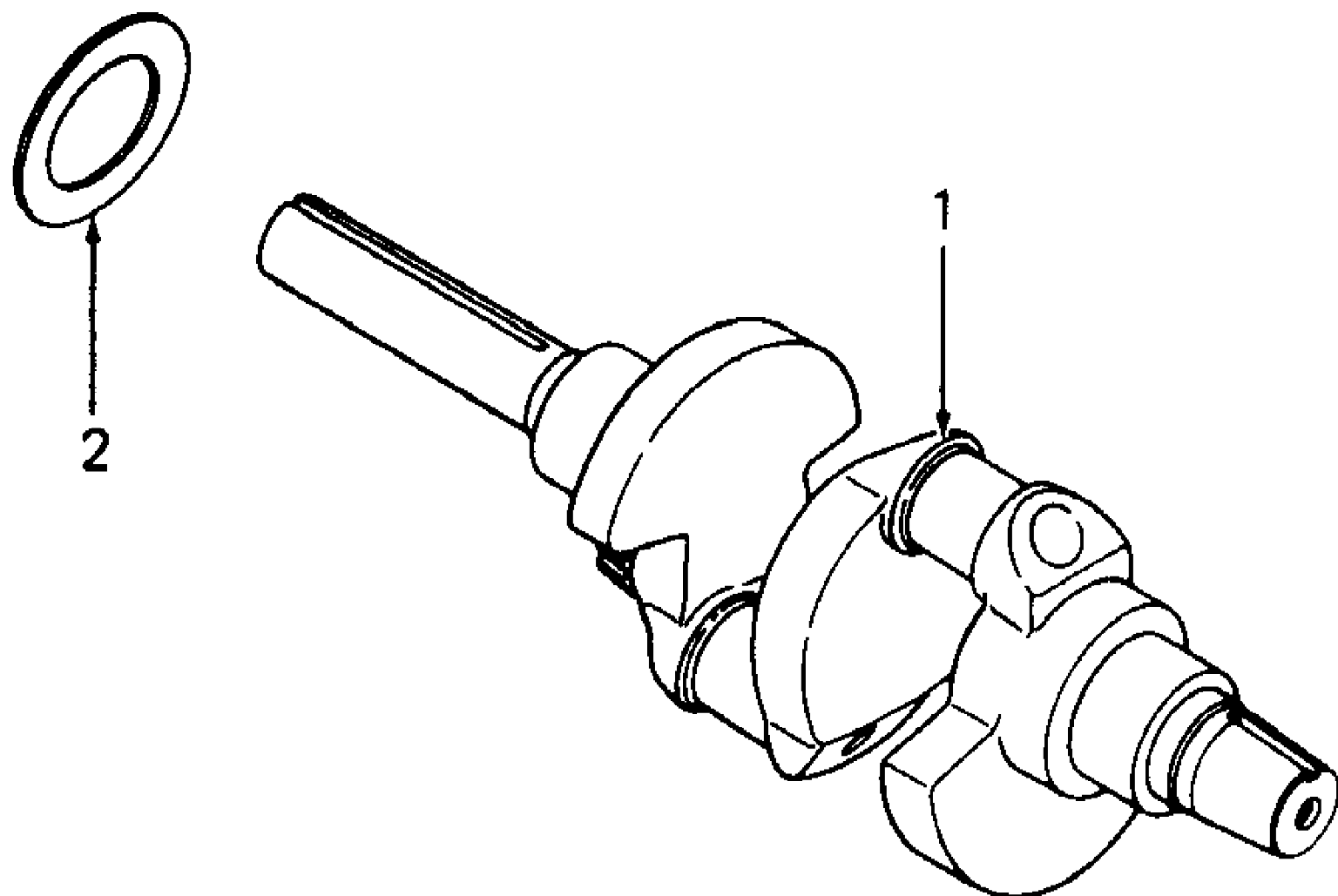
1882 S/N 800,000 - 821,059
Crankcase

Page 20 of 102

Ref #	Part Number	Qty	S/P/F	Description
	KH-24646	1		Engine, Complete
	KH-52-522-71	1		Short Block
1	KH-82-755-17	1		Kit, #2 Cylinder Barrel (Includes Ref No. 2, 3 & 4)
2	KH-52-016-05	2		Valve, Exhaust
3	KH-52-316-06	2	S	Guide, Valve
4	KH-52-031-01	2		Insert, Valve Seat
5	KH-X-82-2	16		Nut, Hex, 5/16-18
6	KH-52-468-12	12		Washer, Flat, 5/16
7	KH-52-072-12	12		Stud, Step, 5/16-18 X .75, 3/8-16 X .62, 2.0 Lg
8	KH-25-086-13	2		Screw, Hex Flange, 3/8-16 X 3.62 Lg
9	KH-25-086-10	3		Screw, Hex Flange, 5/16-18 X 1.5 Lg
10	KH-X-583-5	1	/P	Seal, Rear Oil
11	KH-X-802-9	1		Screw, Hex Wash Hd, 5/16-18 X 1.0 Lg
12	KH-52-755-56	1	/P	Kit, Closure Plate (Includes Ref No. 13)
13	KH-X-75-23	1	S	Plug, Hex Ctsk, 1/8 NPTF
14	KH-52-755-50	1	/P	Kit, Oil Relief
15	KH-X-269-43	1	/P	Ring, Retaining
16	KH-52-078-05	1	S	Shaft, Governor
17	KH-25-086-12	2		Screw, Hex Flange, 5/16-18 X 2.0 Lg
18	KH-82-755-16	1		Kit, #1 Cylinder Barrel (Includes Ref No. 2, 3 & 4)
19	KH-X-75-32	2	S	Plug, Hex Ctsk, 3/8 NPTF
20	KH-52-032-10	1	S	Seal, Front Oil
21	KH-52-030-10	2	S	Bearing, Sleeve (Std)
	KH-52-030-11	2	S	Bearing, Sleeve (.10)
	KH-52-030-12	2		Bearing, Sleeve (.20)
22	KH-52-139-02	1	/P	Plug, Bottom Drain, 3/8
23	KH-52-095-03	1		Housing, Oil Pickup
24	KH-52-237-02	1	/P	Clamp, Spring
25	KH-67-64	1		Screw, Hex Wash Hd, #10-32 X .43 Lg
26	KH-52-237-05	1		Clamp, Tube
27	KH-X-702-15	1	S	Plug, Cup
28	KH-52-123-10	1	S	Tube, Oil Pickup
29	KH-52-139-08	1	/P	Plug, 3/4 OD
30	KH-52-141-02	1	/P	O-Ring
31	KH-25-086-11	6		Screw, Hex Flange, 5/16-18 X 3.5 Lg
32	KH-41-468-01	4		Washer, Plain
33	KH-X-352-33	2		Stud, 5/16-18 X 4.12 Lg
	KH-52-755-94	1	S	Gasket Set

1882 S/N 800,000 - 821,059
Crankshaft

Page 21 of 102

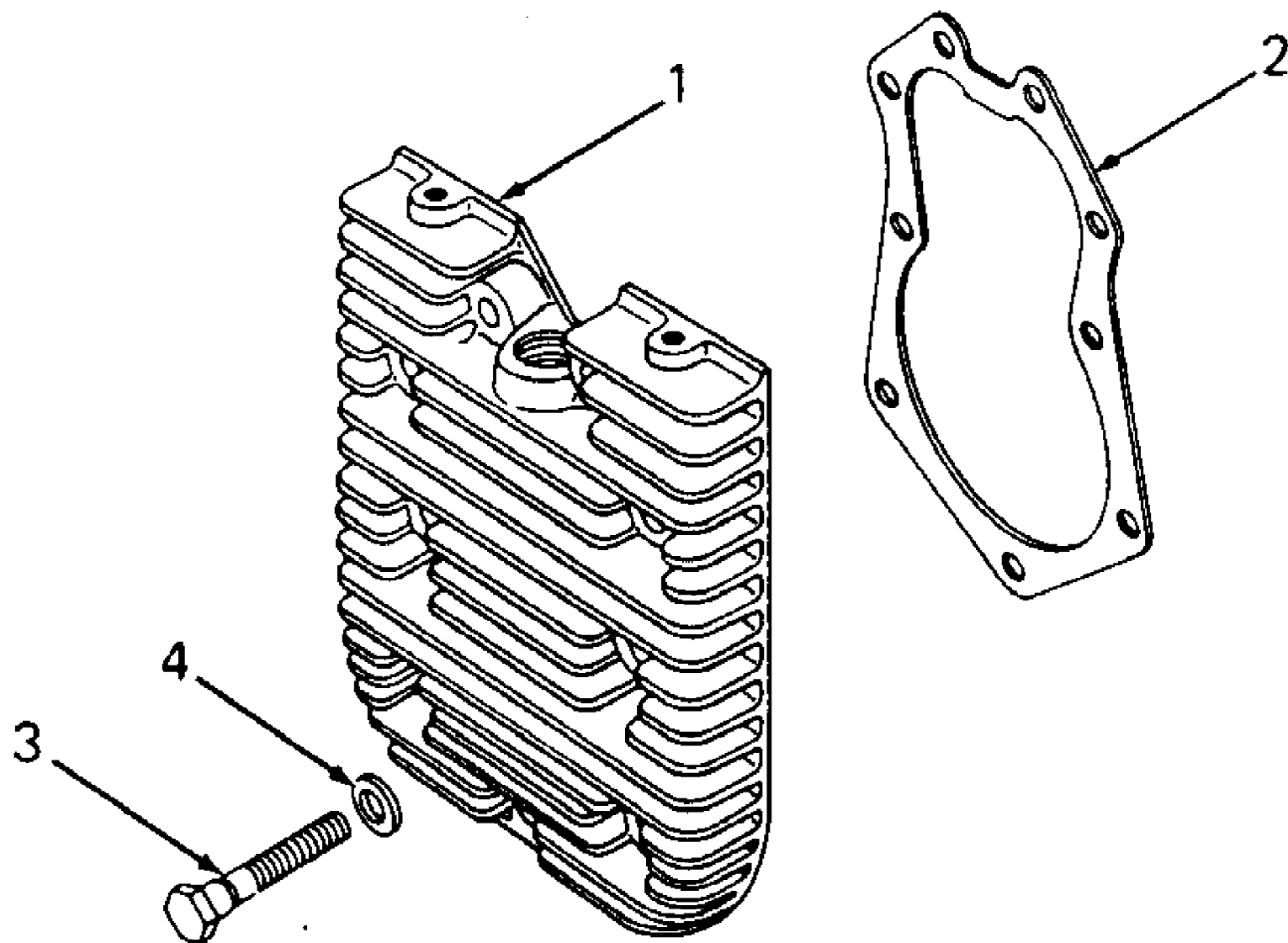


1882 S/N 800,000 - 821,059
Crankshaft

Ref #	Part Number	Qty	S/P/F	Description
1	KH-52-014-66	1	/P	Crankshaft, 2-51/64" x 1-1/8" Tapped PTO
2	KH-52-468-03	AR		Washer, Thrust, .119/.122
	KH-52-468-04	1	/P	Washer, Thrust, .128/.131
	KH-52-468-05	AR		Washer, Thrust, .137/.140

1882 S/N 800,000 - 821,059
Cylinder Head

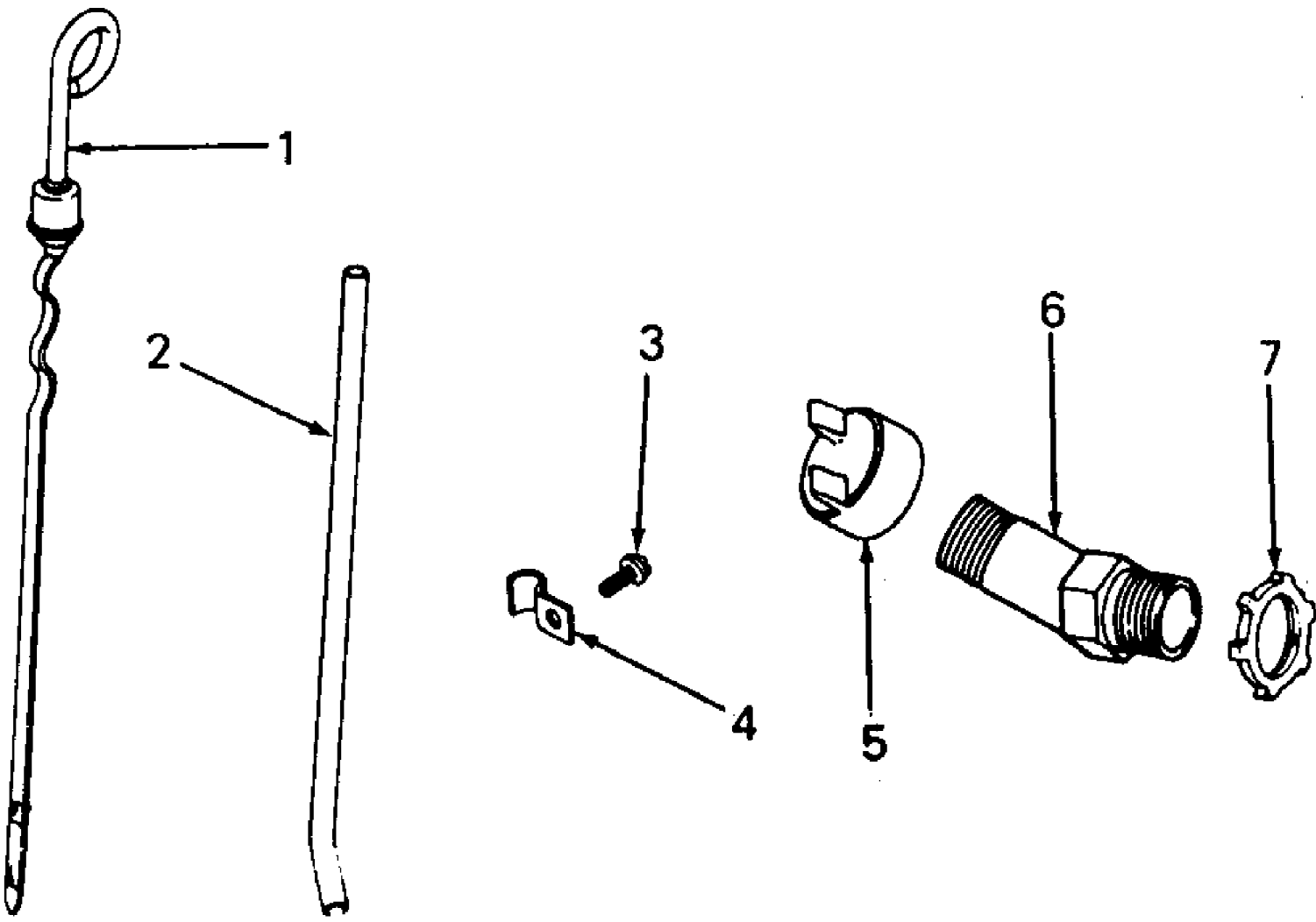
Page 23 of 102



1882 S/N 800,000 - 821,059
Cylinder Head

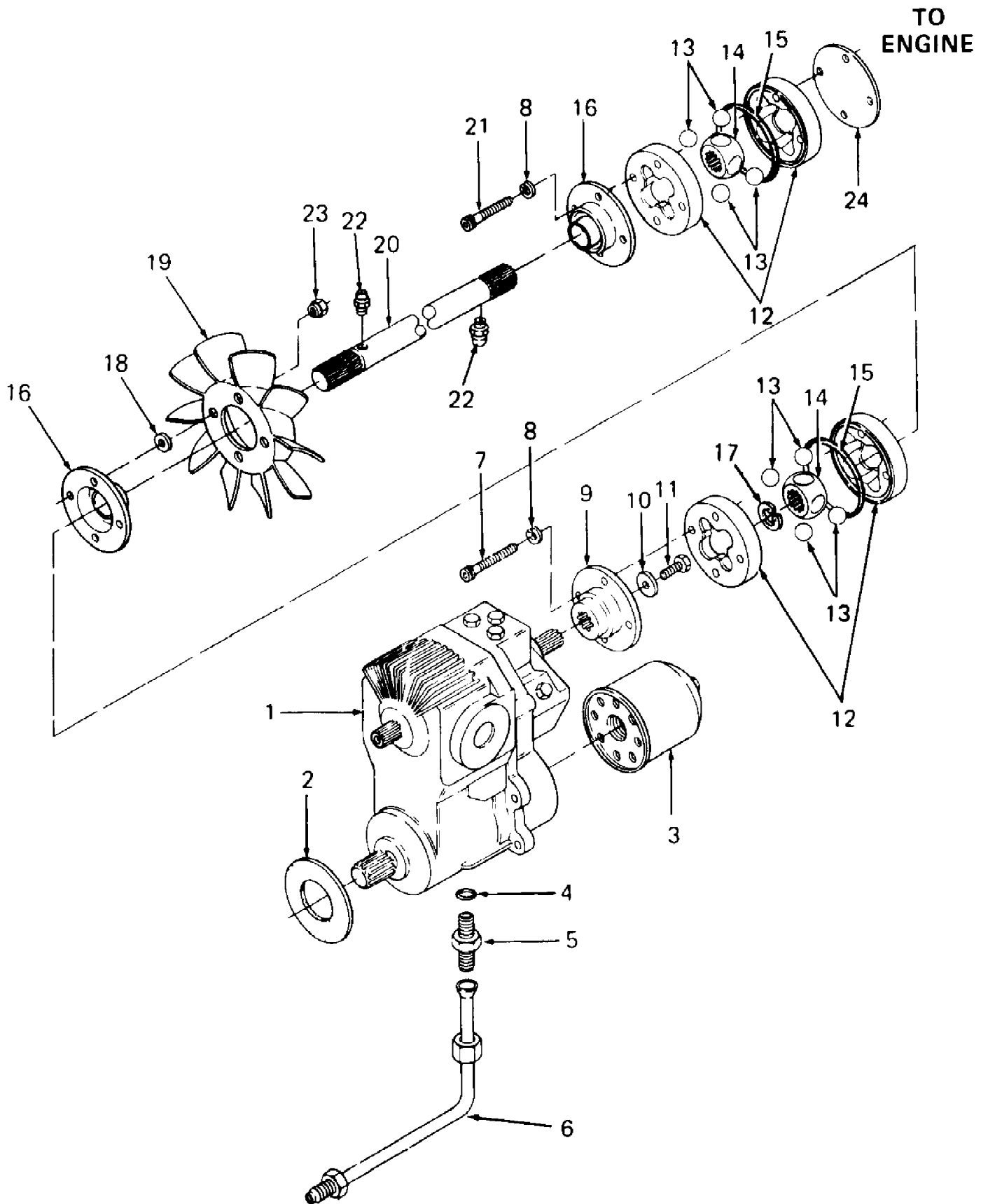
Ref #	Part Number	Qty	S/P/F	Description
1	KH-52-015-08	2	/P	Head, Cylinder
2	KH-52-041-18	2	S	Gasket, Head
3	KH-41-086-02	18	/P	Screw, Hex Hd, 5/16-18 X 1.5 Lg
4	KH-220534	18	/P	Washer, Plain, 5/16

1882 S/N 800,000 - 821,059
Dipstick



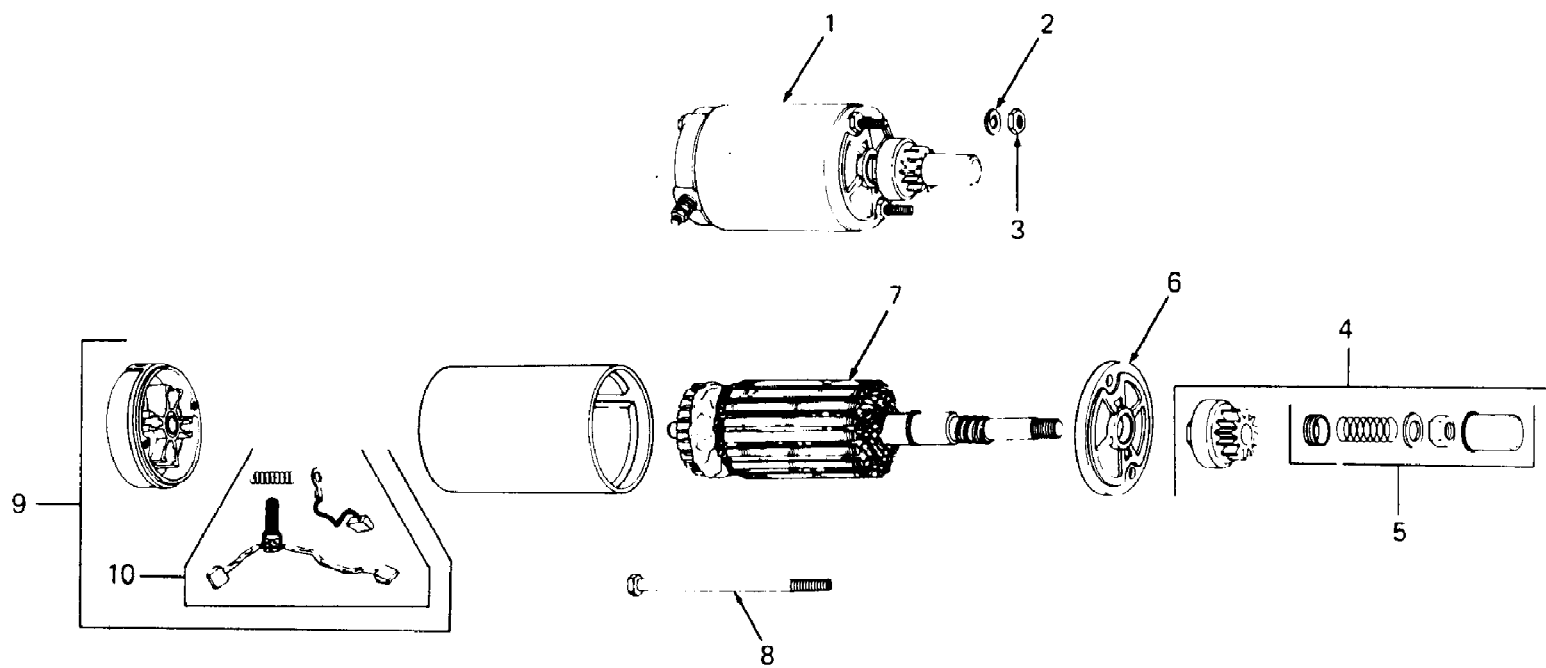
1882 S/N 800,000 - 821,059
Dipstick

Ref #	Part Number	Qty	S/P/F	Description
1	KH-52-038-04	1	S	Dipstick, Oil Level, 11-5/16
2	KH-52-123-09	1		Tube, Oil Level
3	KH-X-67-64	1	S	Screw, Hex Wash Hd, #10-32 x .37
4	KH-52-154-01	1	/P	Clip, Tube
5	KH-52-173-01	1	/P	Cap, Pipe
6	KH-52-134-04	1	/P	Tube, Oil Fill
7	KH-X-427-1	1		Nut, Lock, 3/4 IP



Ref #	Part Number	Qty	S/P/F	Description
1	717-3312	1	S	Pump, Hydrostatic For components see listing of parts under details of hydrostatic pump.
	710-3120	4		Bolt, Hex Patch Lock, 3/8-16 X 1.5 Lg GR5
2	721-3004	1	S	Gasket, Front
3	723-3014	1	S	Filter, Oil
4	721-3005	1	S	O-Ring, 5/8 OD Tube
5	727-3009	1	/P	Connector, 37 Degree
6	727-3027	1		Tube Assy
7	710-3212	4		Screw, Socket Hd Cap, 1/4-20 X 2.0 Lg
8	736-0329	8	S	Washer, Lock, 1/4
9	748-3038	1		Adapter, Pump
10	736-0270	1	/P	Washer, Bell, .265 X .75 X .062 Thk
11	710-3220	1		Bolt, Hex Patch, 1/4-20 X 1.0 Lg GR5
12	748-3030A	4	/P	Coupling, Drive w/O-Ring Groove
13	723-3022	8	/P	Ball, Steel, 5/8 Dia Chrome
14		1		Hub, Drive Order P/N 759-3614
15	721-3025	2		O-Ring, 2.489 X .070
16	735-3029	2		Boot, Coupling
	737-3023	2oz		Grease CV Polyrex
17	716-0171	1	S	Ring, Snap
18	736-0463	4	S	Washer, Flat, .25 X .62 X .052 Thk
19	731-3095	1	S	Fan, 10 Blade Hydro
20		1		Shaft, Drive, 23.9 Lg Order P/N 759-3614
21	710-3211	4		Screw, Socket Hd Cap, 1/4-20 X 1.75 Lg
22	737-3000	2	S	Fitting, Grease
23	748-3037	4	S	Nut, Fan 1/4-20
24	703-1819	1		Cover, Coupling
	759-3614	1	S	Kit, Drive Line Replacement Includes Ref No. 7, 8, 12, 13, 14, 15, 16, 17, 20, 21, 22 & 24)

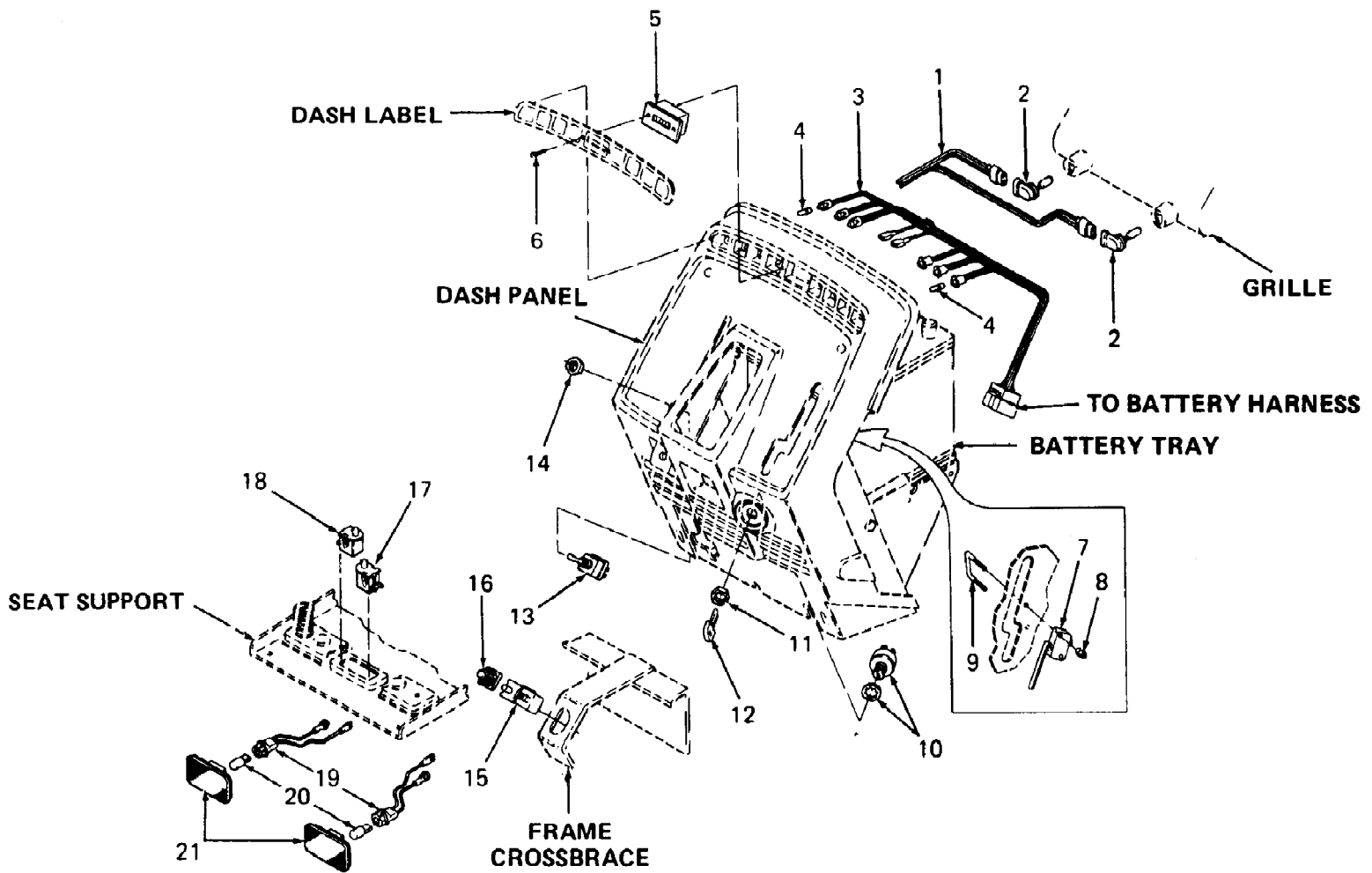
1882 S/N 800,000 - 821,059
Electric Start



1882 S/N 800,000 - 821,059
Electric Start

Page 30 of 102

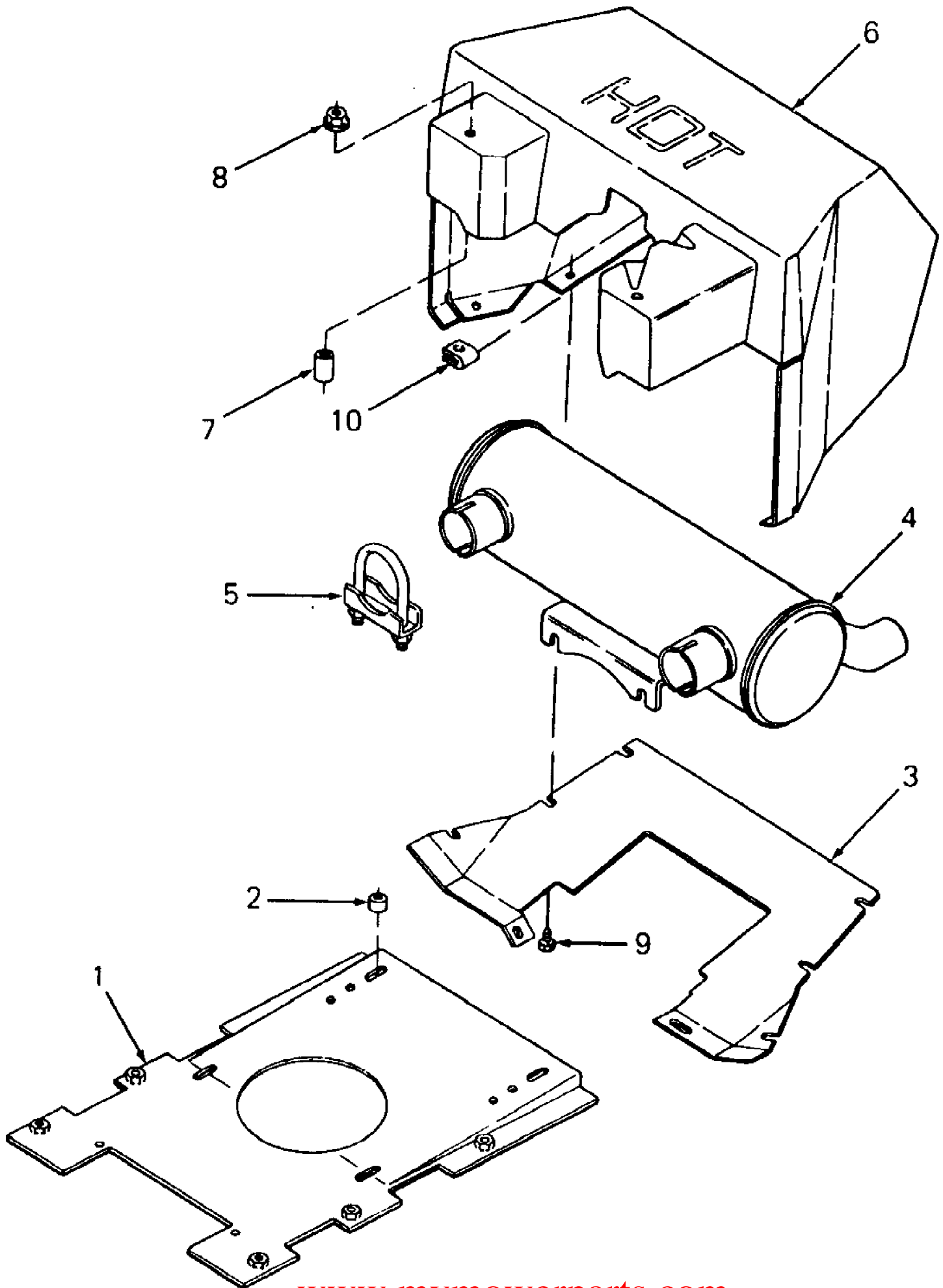
Ref #	Part Number	Qty	S/P/F	Description
1	KH-52-098-03	1	S	Starter Assembly [Includes Ref No. 4, 5, 6, 7, 8 (Qty 2), 9 & 10]
2	KH-X-20-1	2		Washer, Lock, 1/4
3	KH-X-81-1	2		Nut, Hex, 1/4-20
4	KH-52-755-05	1	S	Kit, Drive (Includes Ref No. 5)
5	KH-52-755-08	1	S	Kit, Drive Parts
6	KH-52-227-01	1	S	Cap, Drive End
7	KH-52-170-02	1		Armature
8	KH-52-211-01	2		Bolt, 1/4-20 X 5.87 Lg
9	KH-277612	1		Cap, Commutator End (Includes Ref No. 10)
10	KH-48-755-15	1	S	Kit, Brush
	KH-25-450-03	1		Tag, Caution



1882 S/N 800,000 - 821,059
Electrical

Page 32 of 102

Ref #	Part Number	Qty	S/P/F	Description
1	725-3183	1		Harness, Main Wire
2	759-3693	2	S	Bulb, Head Lamp
3	725-3185	1		Harness, Indicator Wire
4	725-1365	6	S	Bulb, Indicator
5	725-3159	1	S	Hour Meter
6	710-0936	2		Screw, Truss Hd Tapp, #6 X .62 Lg
7	725-3066	1	S	Switch, Reverse
8	712-3052	2	/P	Nut, Hex Insert Lock, #4-40
9	711-3259	1		Screw, Switch
10	725-3163	1	S	Switch, Ignition
11	712-3013	1	/P	Nut, Ignition Switch
12	759-3476A	1	S	Key, Ignition (Set of 2)
13	725-0893	1	S	Switch, PTO
14	712-3014	1	/P	Nut, Hex, 1/2-27 X .100 Thk
15	725-3164	1	S	Switch, Interlock
16	735-3036	1		Boot, Switch
17	725-3166	1	S	Switch, Snap Mount Normally Closed (Grey)
18	725-3167	1	S	Switch, Snap Mount Normally Open (Black)
19	725-3019	2		Cable Assy, Tail Light
20	725-3020	2	S	Bulb, Tail Light
21	725-3018	2		Lens Assy, Tail Light
	710-3003	4	/P	Screw, Pan Hd, #8-32 X .75 Lg
	736-3018	4		Washer, Int-Ext Lock, #8
	712-0142	4	/P	Nut, Hex Mach, #8-32

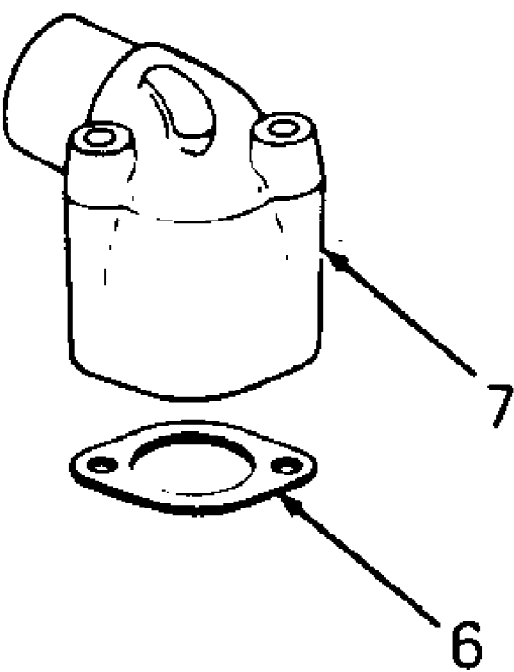
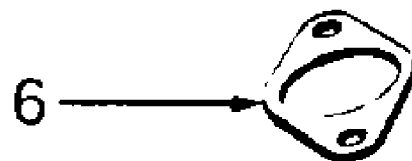
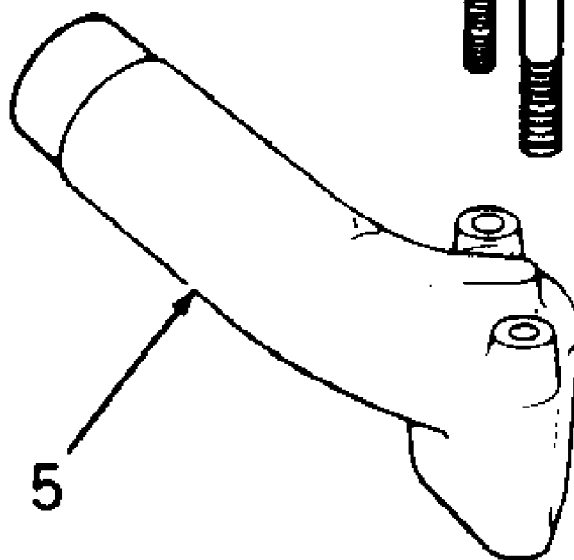
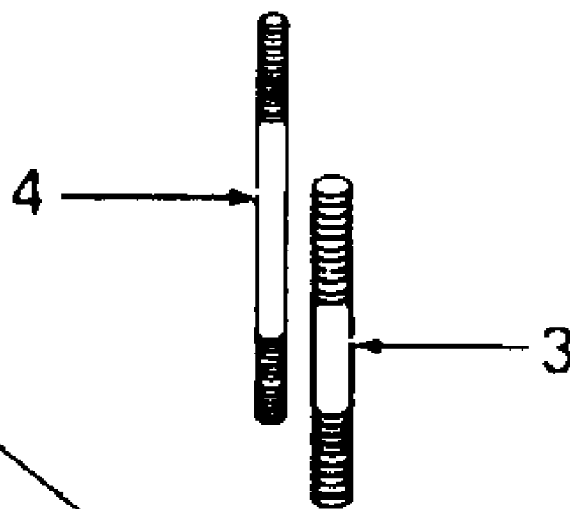
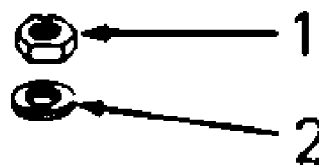


1882 S/N 800,000 - 821,059
 Engine Mounting, Muffler & Air Duct

Page 34 of 102

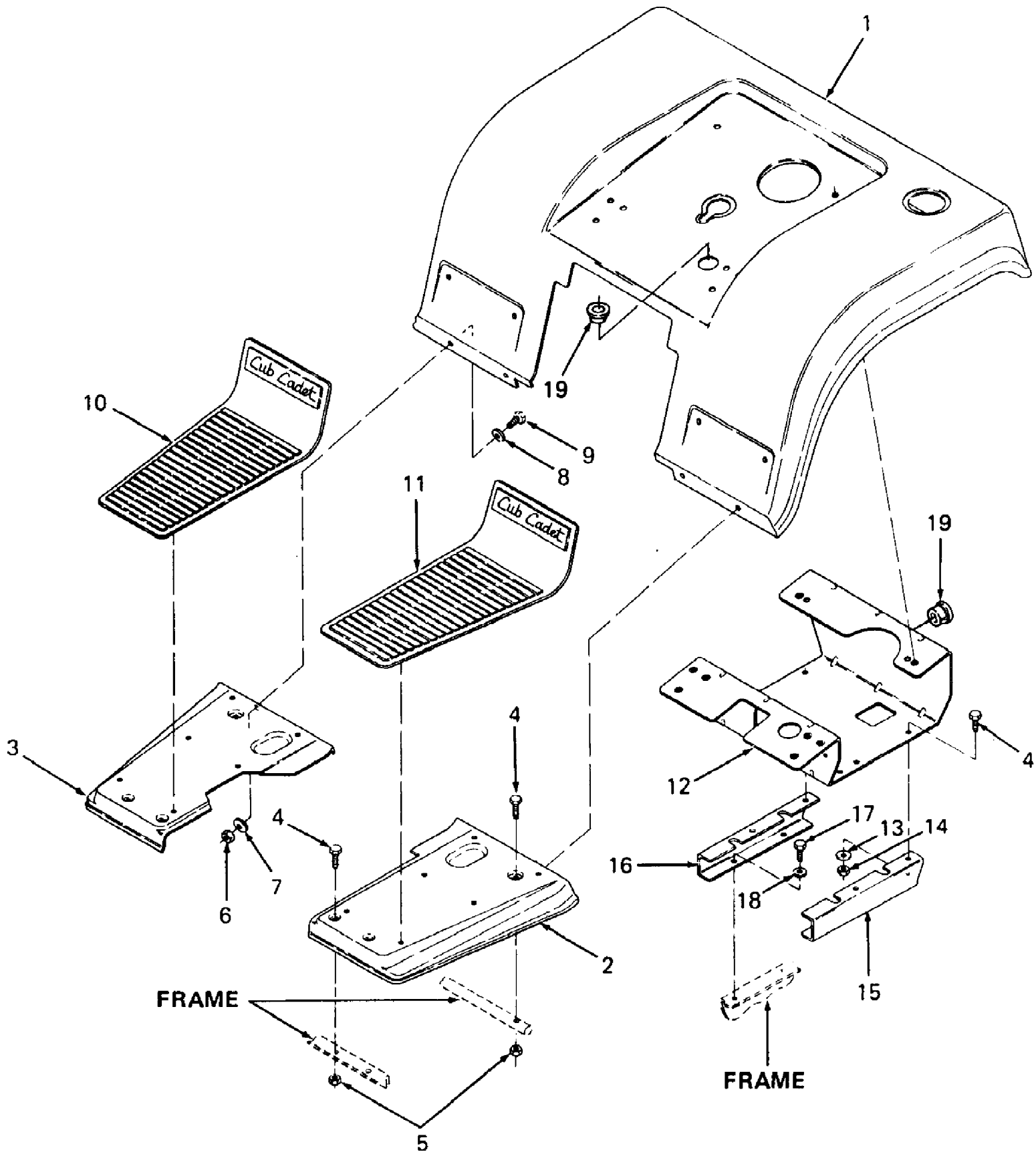
Ref #	Part Number	Qty	S/P/F	Description
1	703-0178	1	/P	Plate Assy, Engine Mounting
	736-0185	6	S	Washer, Flat, .406 X .75 X .063 Thk
	710-0514	6	/P	Screw, Hex Cap, 3/8-16 X 1.0 Lg GR5
2	750-3009	4	S	Spacer, .432 X .675 X .469 Lg
	710-0520	4	/P	Screw, Hex Cap, 3/8-16 X 1.5 Lg GR5
	712-3005	4	S	Nut, Hex Flange Lock, 3/8-16 GR5
3	703-1865	1	S	Duct, Bottom Cooling
4	751-3083	1		Muffler
	736-3024	2		Washer, Flat, .469 X .75 X .054 Thk
	712-3019	2	S	Nut, Hex, 7/16-14 GR5
5	726-3016	2	/P	Clamp, Muffler
6	703-1839	1		Duct, Top Air
7	750-0470	2	/P	Spacer, .326 X .47 X .96 Lg
8	712-3004	2	S	Nut, Hex Flange Lock, 5/16-18
9	710-0599	4	/P	Screw, Hex Wash Hd Tapp, 1/4-20 X .50 Lg
10	726-3048	4		Nut, U-Type Speed, 1/4-20

1882 S/N 800,000 - 821,059
Exhaust



1882 S/N 800,000 - 821,059
Exhaust

Ref #	Part Number	Qty	S/P/F	Description
1	KH-X-82-2	4		Nut, Hex, 5/16-18
2	KH-X-21-1	4		Washer, Lock, 5/16
3	KH-X-352-43	2	S	Stud, 5/16-18 X 4.87 Lg
4	KH-52-072-13	2	/P	Stud, 5/16-18 X 4.0 Lg
5	KH-52-054-05	1		Manifold, #1 Exhaust
6	KH-52-041-10	2	S	Gasket, Exhaust
7	KH-52-054-06	1		Manifold, #2 Exhaust

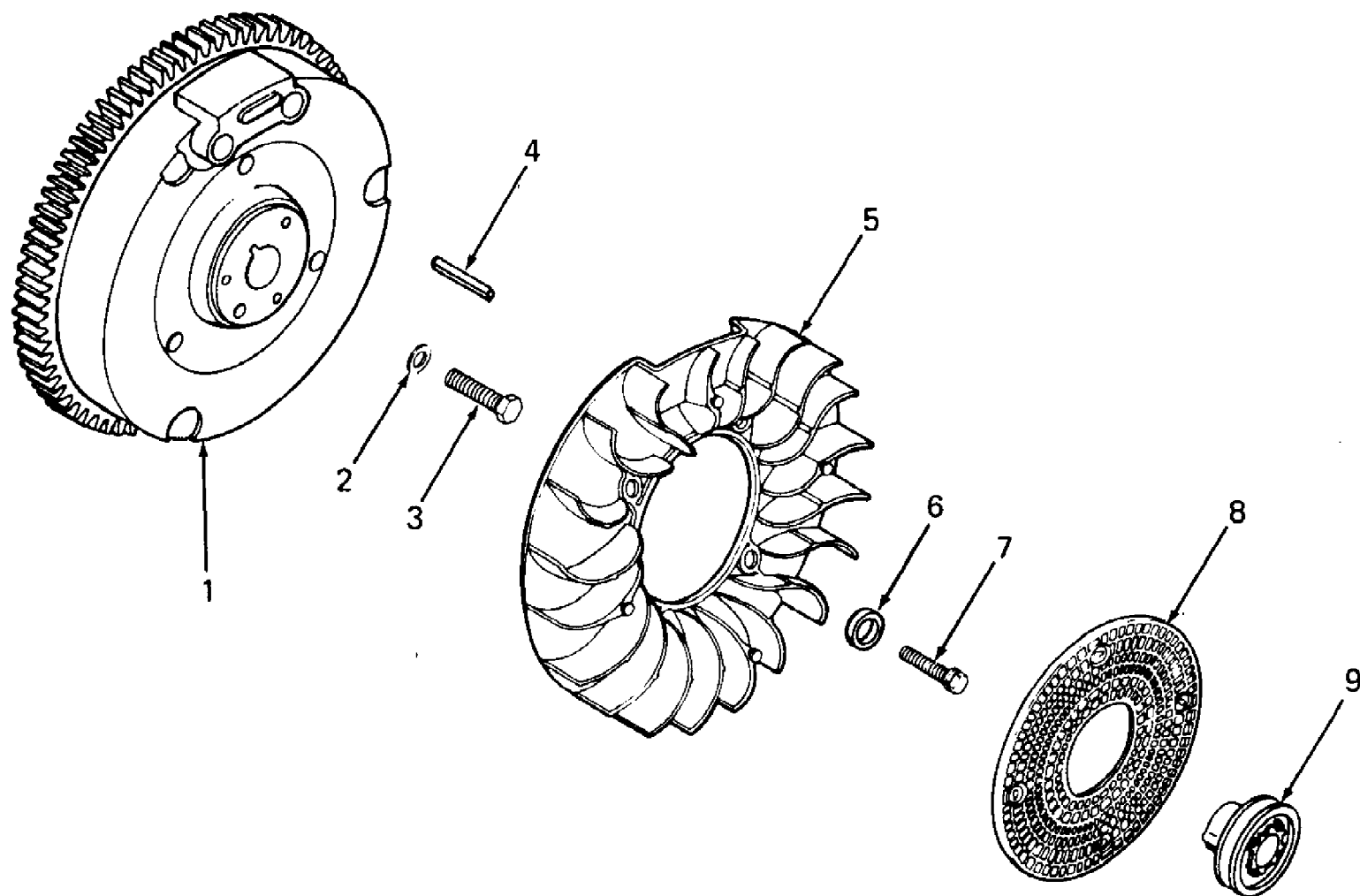


1882 S/N 800,000 - 821,059
Fender & Footrest

Page 38 of 102

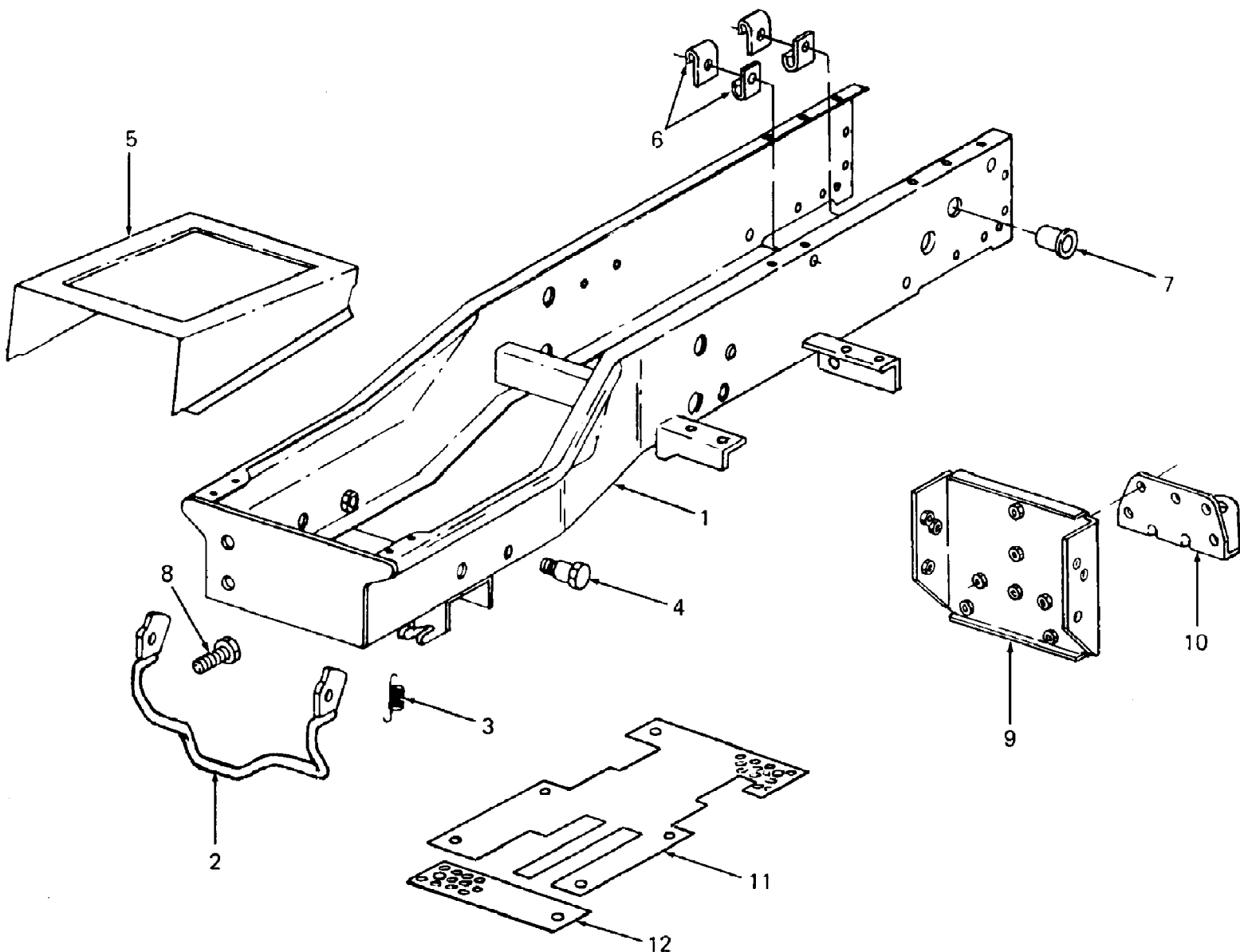
Ref #	Part Number	Qty	S/P/F	Description
1	703-1796	1		Fender
	779-3525A	1		Label, Rear Fender
2	703-1797	1	S	Running Board - LH
3	703-1798	1	S	Running Board - RH
4	710-3025	10	/P	Screw, Hex Cap, 5/16-18 X .62 Lg GR5
5	712-3009	6	S	Nut, Hex Center Lock, 5/16-18 GR5
6	712-0107	4	S	Nut, Hex Patch Lock, 1/4-20
7	736-0270	4	/P	Washer, Bell, .265 X .75 X .062 Thk
8	736-0173	4	/P	Washer, Flat, .281 X .73 X .063 Thk
9	710-3013	4	/P	Screw, Hex, Cap, 1/4-20 X .50 Lg GR5
10	735-3030	1	/P	Foot Pad - RH
11	735-3031	1		Foot Pad - LH
12	703-1887	1		Support Assembly, Seat
	726-0215	2		Tie Strap, Pushmount
13	736-0242	4	/P	Washer, Bell, .345 X .88 X .060 Thk
14	712-3010	4	S	Nut, Hex, 5/16-18 GR5
15	703-1815	1		Support Bracket, Fender - LH
16	703-1814	1		Support Bracket, Fender - RH
17	710-3025	4	/P	Screw, Hex Cap, 5/16-18 X .62 Lg GR5
18	736-0275	4	S	Washer, Flat, .34 X .68 X .062 Thk
19	723-3045	2		Bushing, Snap

1882 S/N 800,000 - 821,059
Flywheel



1882 S/N 800,000 - 821,059
Flywheel

Ref #	Part Number	Qty	S/P/F	Description
1	KH-52-025-36	1		Flywheel
2	KH-52-468-15	1	S	Washer
3	KH-25-086-24	1		Screw, Hex Mach, 3/8-24 X 1.25 Lg
4	KH-X-286-17	1	/P	Key, Square, 3/16 X 1.37
5	KH-25-157-01	1		Fan
6	KH-25-112-04	4		Spacer, 1/8
7	KH-25-086-21	4		Screw, Hex Wash Hd, 1/4-20 X .62 Lg
8	KH-25-162-02	1		Screen, Grass
9	KH-52-755-61	1	/P	Kit, Drive Cup (Includes Ref. No. 2)

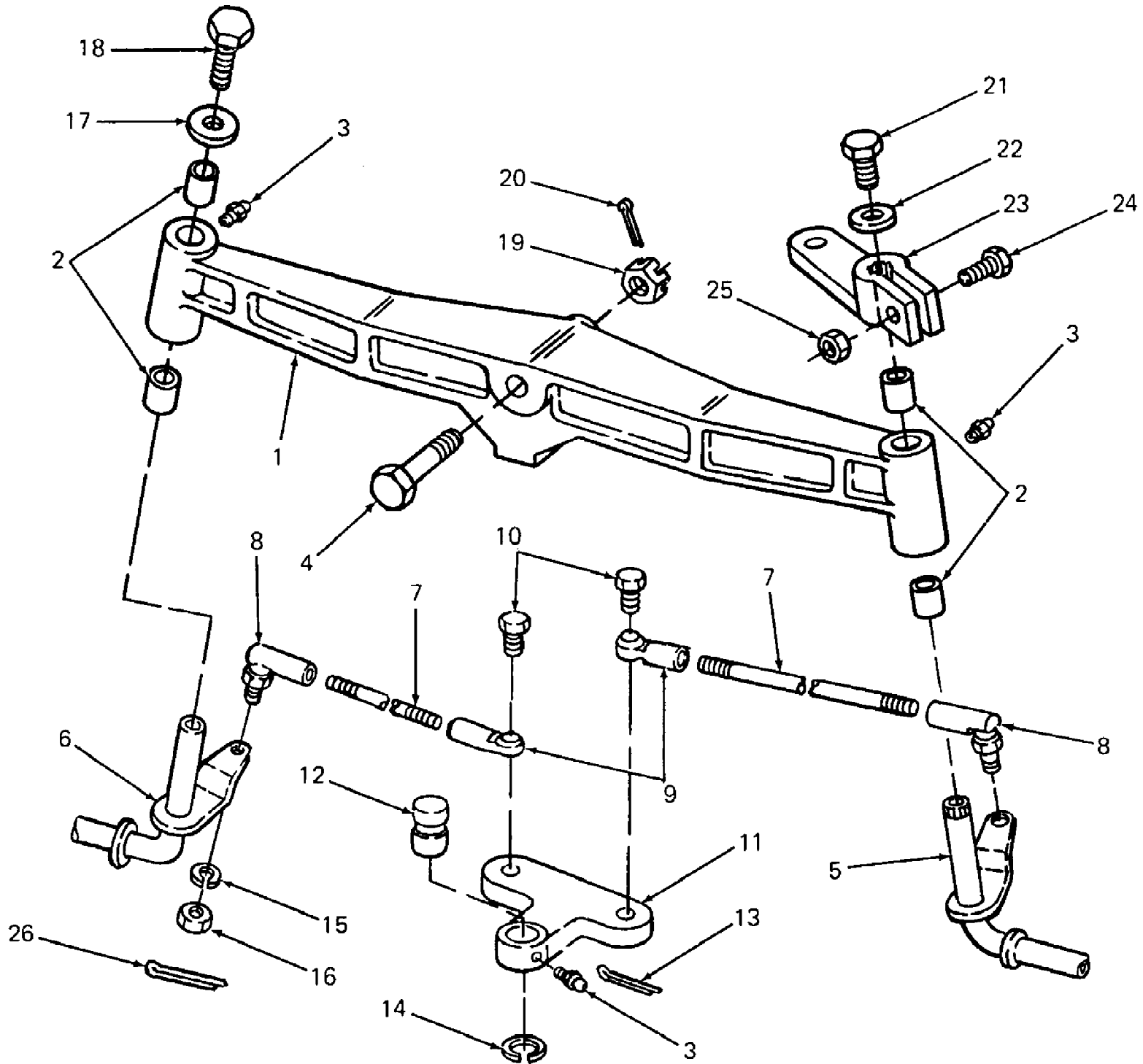


1882 S/N 800,000 - 821,059
Frame

Page 42 of 102

Ref #	Part Number	Qty	S/P/F	Description
1	703-1929	1		Frame Assy
	711-3005	2	/P	Bushing, Front Axle Pivot Pin
	711-3009	1		Hub, Lift Handle Stop
	779-3334	1		Label, Do Not Tow
2	703-1726	1	S	Latch Assy, Quick
	711-3010	2	S	Pin, Clevis, 3/8 Dia X 1.06 Lg
	714-0507	2	S	Pin, Cotter, 3/32 Dia X .75 Lg
3	732-3002	1	S	Spring, Latch
4	738-3001	2	S	Bolt, Shoulder
	736-3003	2	/P	Washer, Flat, .531 X .688 X .054 Thk
	736-0272	2	S	Washer, Flat, .510 X 1.0 X .060 Thk
5	759-3532	1		Cover, Frame w/Graphic
	779-3532A	1		Graphic, Caution
	710-3007	4	/P	Screw, Hex Wash Hd Tapp, #12 X .38 Lg
6	726-3008	4	/P	Clip, Cable
	710-3039	2	/P	Screw, Hex Cap, 5/16-18 X .50 Lg GR5
	712-3004	2	S	Nut, Hex Flange Lock, 5/16-18
7	723-3042	1	/P	Bushing, Snap
8	710-3182	2		Screw, Adjustment, 1/2-20 X 1.0 Lg GR5
	712-3029	2	/P	Nut, Hex Jam, 1/2-20 GR5
9	703-1943	1	S	Plate Assy, Hitch
	710-3000	4	S	Screw, Hex Cap, 3/8-16 X .75 Lg GR5
	736-0169	4	S	Washer, Lock, 3/8
10	703-0904	1	S	Draw Bar
	710-3000	5	S	Screw, Hex Cap, 3/8-16 X .75 Lg GR5
	736-0169	5	S	Washer, Lock, 3/8
11	703-1975	1		Screen, Lower Frame
	710-0776A	2	S	Screw, Hex AB Tapp, 1/4 X .62 Lg
12	703-1976	1		Screen, Front Lower Frame
	710-0776A	2	S	Screw, Hex AB Tapp, 1/4 X .62 Lg

1882 S/N 800,000 - 821,059
Front Axle



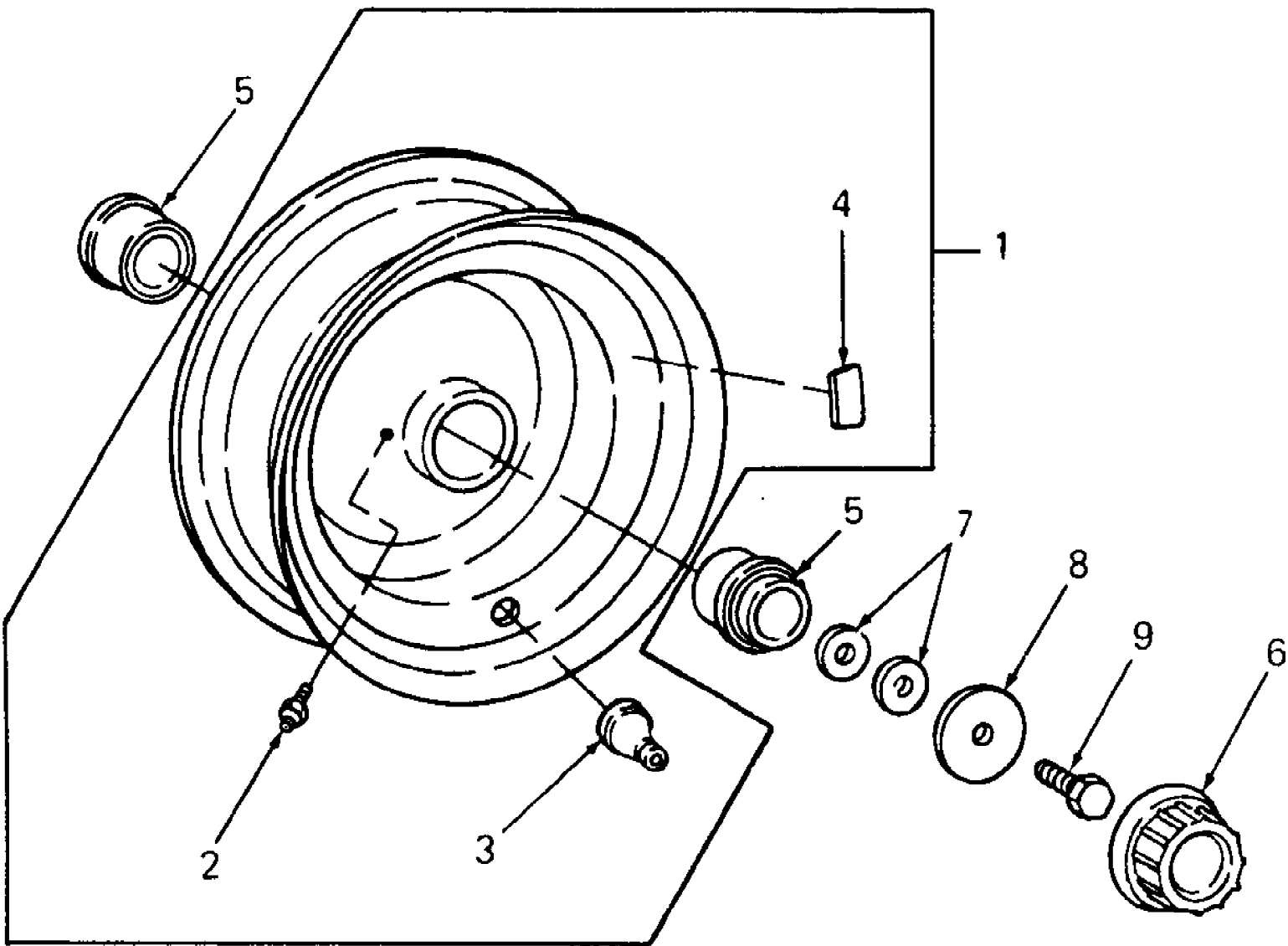
1882 S/N 800,000 - 821,059
Front Axle

Page 44 of 102

Ref #	Part Number	Qty	S/P/F	Description
1	759-3271	1		Axle Assy, Front [Includes Ref No. 2 (Qty 4) & 3 (Qty 3)]
2	741-3005	4		Bushing
3	737-3000	4	S	Fitting, Lube, 3/16 Drive
4	710-3019	1	/P	Bolt, Hex, 3/4-10 X 5.0 Lg GR5 w/Hole
5	703-1445	1	S	Knuckle Assy, LH - Steering
6	703-0275	1	/P	Knuckle Assy, RH - Steering
7	711-3053	2	/P	Tie Rod
	712-3001	2	S	Nut, Hex Jam, 3/8-24 GR5
	712-3029	2	/P	Nut, Hex Jam, 1/2-20 GR5
8	723-3015	2	S	Ball Joint, 1/2-20
9	723-3016	2	S	Alignabal End
10	710-3111	2	/P	Screw, Hex Cap, 3/8-16 X 1.5 Lg GR5 w/Hole
11	759-3452	1		Steering Lever w/Fitting (Includes Ref No. 3)
12	711-3048	1	/P	Pin, Steering Pivot
13	714-0111	2	S	Pin, Cotter, 3/32 Dia X 1.0 Lg
14	716-3002	1		Ring, Retaining
15	736-0921	2	S	Washer, Lock, 1/2 Dia
16	712-3012	2	S	Nut, Hex Castle, 1/2-20 GR5
17	736-3027	1		Washer, Flat, .531 X 1.75 X .090 Thk
18	710-3043	1		Screw, Hex Cap, 1/2-13 X .75 Lg GR5
19	712-3011	1		Nut, Hex Castle, 3/4-10
20	714-3001	1	S	Pin, Cotter, 1/8 X 1.5 Lg
21	710-0152	1	S	Screw, Hex Cap, 3/8-24 X 1.00 Lg GR5
22	736-3039	1	S	Washer, Flat, .406 X 1.5 X .112 Thk
23	719-3065	1		Arm, Steering
24	710-3083	1	/P	Screw, Hex Cap, 5/16-18 X 1.38 Lg GR5
25	712-3009	1	S	Nut, Hex Center Lock, 5/16-18 GR5
26	714-3004	2		Pin, Cotter, 3/32 Dia X 1.25 Lg

1882 S/N 800,000 - 821,059
Front Wheel

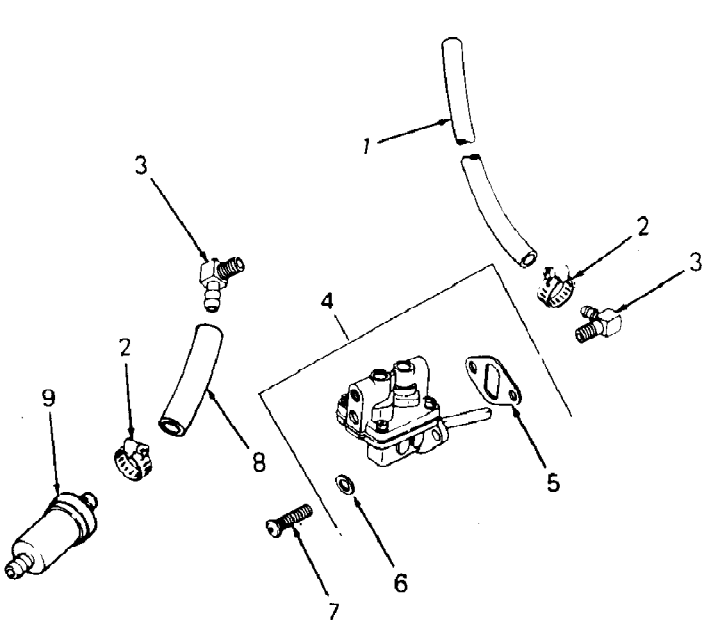
Page 45 of 102



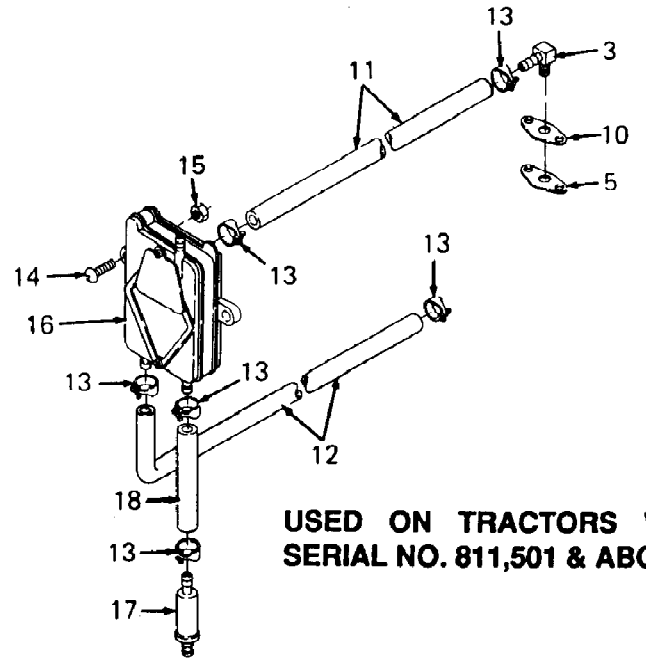
1882 S/N 800,000 - 821,059
Front Wheel

Ref #	Part Number	Qty	S/P/F	Description
	734-3019	2	S	Tire, Soft-Trac, 18 X 8.5 X 8
1	734-3085A	2		Wheel Assy, Front [Includes Ref No. 2, 3, & 4]
2	737-0280	2	S	Fitting, Lube
3	734-3068	2	S	Valve, Tubeless Air
4	777-8680	2		Label, Inflation
5	741-3002	4	S	Bearing, Wheel Ball
6	731-3020	2	S	Cap, Hub
7	736-0179	4	S	Washer, Flat, .531 X 1.25 X .100 Thk
8	736-3095	2	S	Washer, Flat, .535 X 1.92 X .060 Thk
9	710-3126	2	/P	Bolt, Patch, 1/2-13 X 1.0 Lg GR5

1882 S/N 800,000 - 821,059
Fuel Pump



**USED ON TRACTORS WITH
SERIAL NO. 811,500 & BELOW**

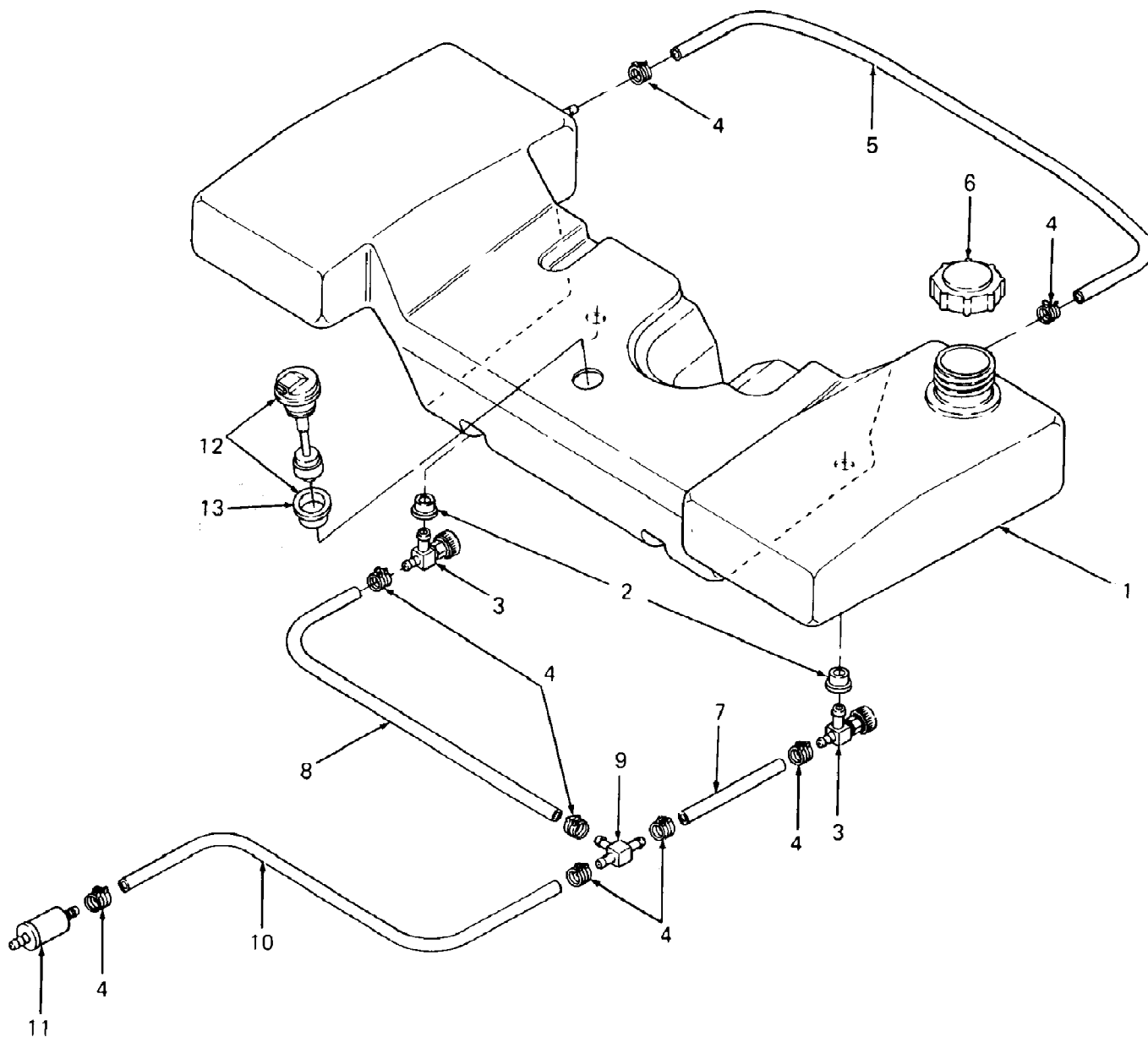


**USED ON TRACTORS WITH
SERIAL NO. 811,501 & ABOVE**

1882 S/N 800,000 - 821,059
Fuel Pump

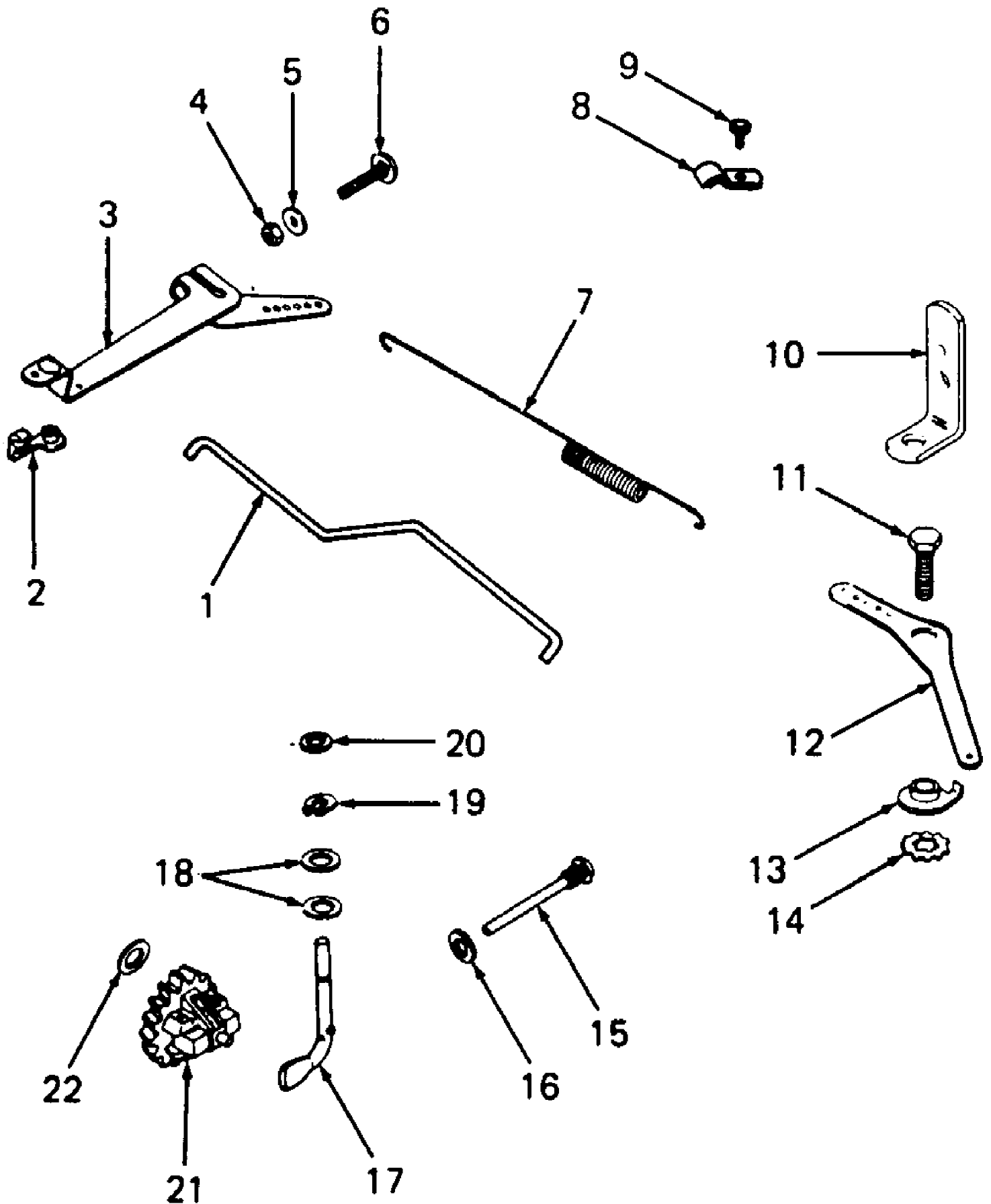
Page 48 of 102

Ref #	Part Number	Qty	S/P/F	Description
1	KH-52-353-04	1		Line, Fuel
2	KH-X-426-9	4	S	Clamp, Hose
3	KH-25-155-02	AR	/P	Connector, Hose
4	KH-52-559-01	1	S	Pump, Fuel [Includes Ref No. 5 & 6 (Qty 2)]
5	KH-25-041-05	1	S	Gasket, Fuel Pump
6	KH-X-25-63	2	/P	Washer, Plain, 1/4
7	KH-47-086-08	2		Screw, Pozidriv Th, 1/4-20 X .62 Lg
8	KH-25-353-02	1		Line, Fuel
9	KH-25-050-01	1	S	Filter, Fuel
10	KH-52-096-42	1		Cover
11	KH-52-353-20	1	S	Line, Fuel (Short)
12	KH-15-353-02	1	S	Line, Fuel (Long)
13	726-0205	6	/P	Clamp, Hose
14	710-0425	2	/P	Screw, Truss Mach, 10-24 X .62
15	712-0998	2	/P	Nut, Hex Center Lock, 10-24
16	751-3103	1	S	Pump, Fuel
17	KH-24-050-02	1	S	Filter, Fuel
18	751-3090	1		Line, Fuel, 5" Lg



1882 S/N 800,000 - 821,059
 Fuel Tank

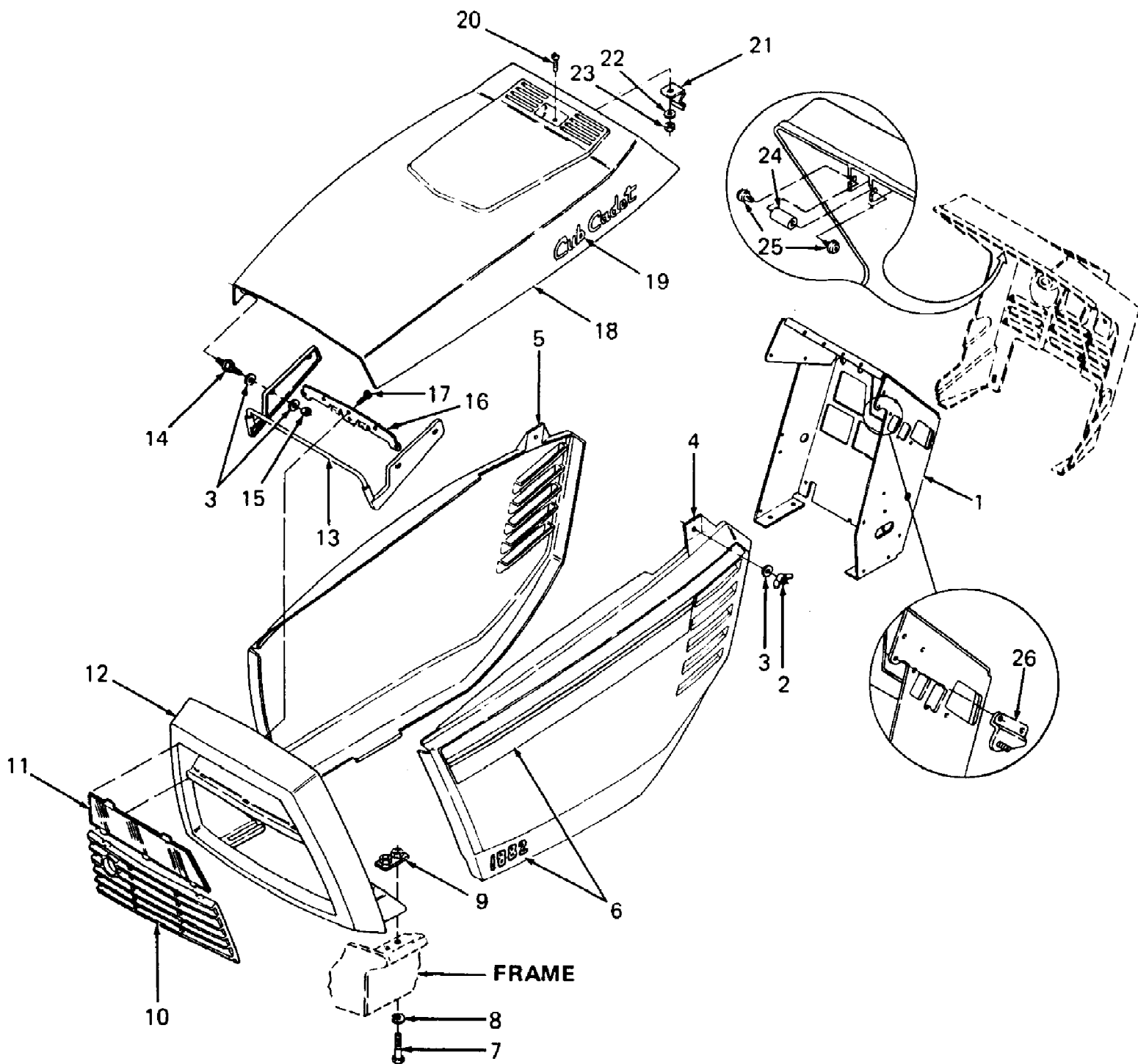
Ref #	Part Number	Qty	S/P/F	Description
1	751-3079	1		Tank Fuel
2	751-3008	2	S	Bushing
3	751-3085	2		Valve, Fuel Shutoff
4	726-0205	8	/P	Clamp, Hose
5		1		Line, Fuel -24" Lg (Order Bulk Fuel Line Part No. 759-3330, 10 Ft Lg)
6	751-3111	1	S	Cap, Fuel
	723-3003	1	/P	Gasket, Fuel Cap (Used w/751-3071)
7		1		Line, Fuel -5" Lg (Order Bulk Fuel Line Part No. 759-3330, 10 Ft Lg)
8		1		Line, Fuel -17" Lg (Order Bulk Fuel Line Part No. 759-3330, 10 Ft Lg)
9	751-3096	1	S	T-Fitting
10		1		Line, Fuel -47" Lg (Order Bulk Fuel Line Part No. 759-3330, 10 Ft Lg)
11	KH-25-050-02	1	S	Filter, Fuel
12	751-3082	1	S	Sensor, Low Fuel
13	759-3616	1	S	Bushing, Rubber
	759-3330	1	/P	Bulk Fuel Line 10' Lg
	751-3111	1	S	Cap, Fuel Replacement for P/N 751-3071



1882 S/N 800,000 - 821,059
Governor

Page 52 of 102

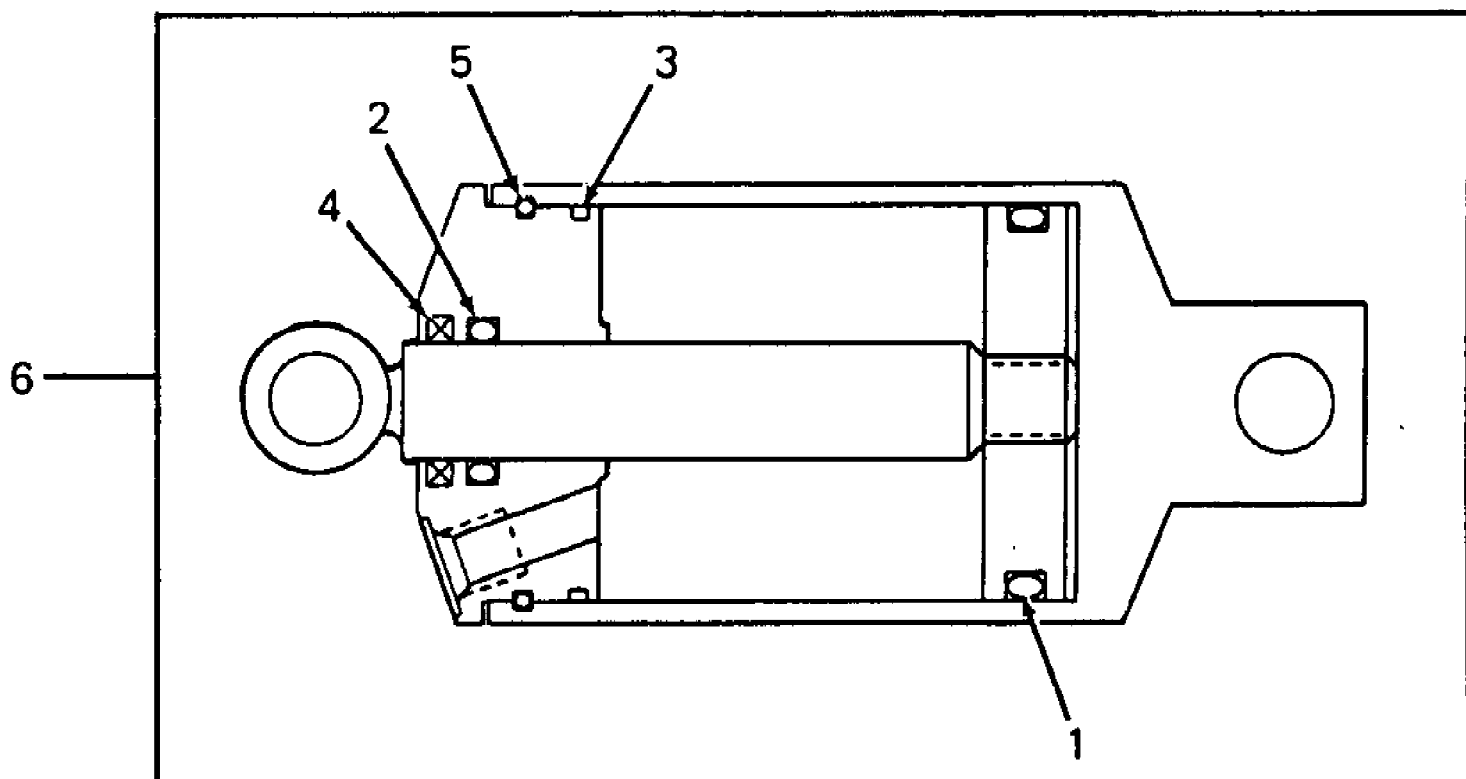
Ref #	Part Number	Qty	S/P/F	Description
1	KH-82-755-07	1	/P	Kit, Governor Linkage [Includes Ref No. 2 (Qty 2)]
2	KH-25-158-09	2	S	Bushing, Linkage Retaining
3	KH-52-186-06	1		Arm, Governor
4	KH-X-81-1	1		Nut, Hex, 1/4-20
5	KH-X-25-72	1		Washer, Plain, 1/4
6	KH-52-211-04	1		Screw, Sq Neck, RH, 1/4-20 X 1.0 Lg
7	KH-52-091-05	1	/P	Spring, Governor
8	KH-235778	2		Clamp, Cable
9	KH-X-67-97	2	S	Screw, Hex Wash Hd, #10-24 X .37 Lg
10	KH-52-126-02	1	/P	Bracket, Throttle Cable
11	KH-X-5-1	1		Screw, Hex Cap, 1/4-20 X .62 Lg
12	KH-52-119-03	1	/P	Lever, Speed Control
13	KH-234614	1		Stop, Governor
14	KH-X-22-12	1		Washer, Lock
15	KH-231355	1	S	Pin, Governor Stop
16	KH-X-25-12	1	/P	Washer, Plain, 1/4
17	KH-52-078-04	1	S	Shaft, Governor Cross
18	KH-X-25-102	2	S	Washer, Plain, 1/4
19	KH-X-269-28	1		Retainer, Governor
20	KH-X-25-63	1	/P	Washer, Plain, 1/4
21	KH-A-235743-S	1	/P	Kit, Governor Gear
22	KH-237022	1	/P	Washer



1882 S/N 800,000 - 821,059
Hood & Grille

Page 54 of 102

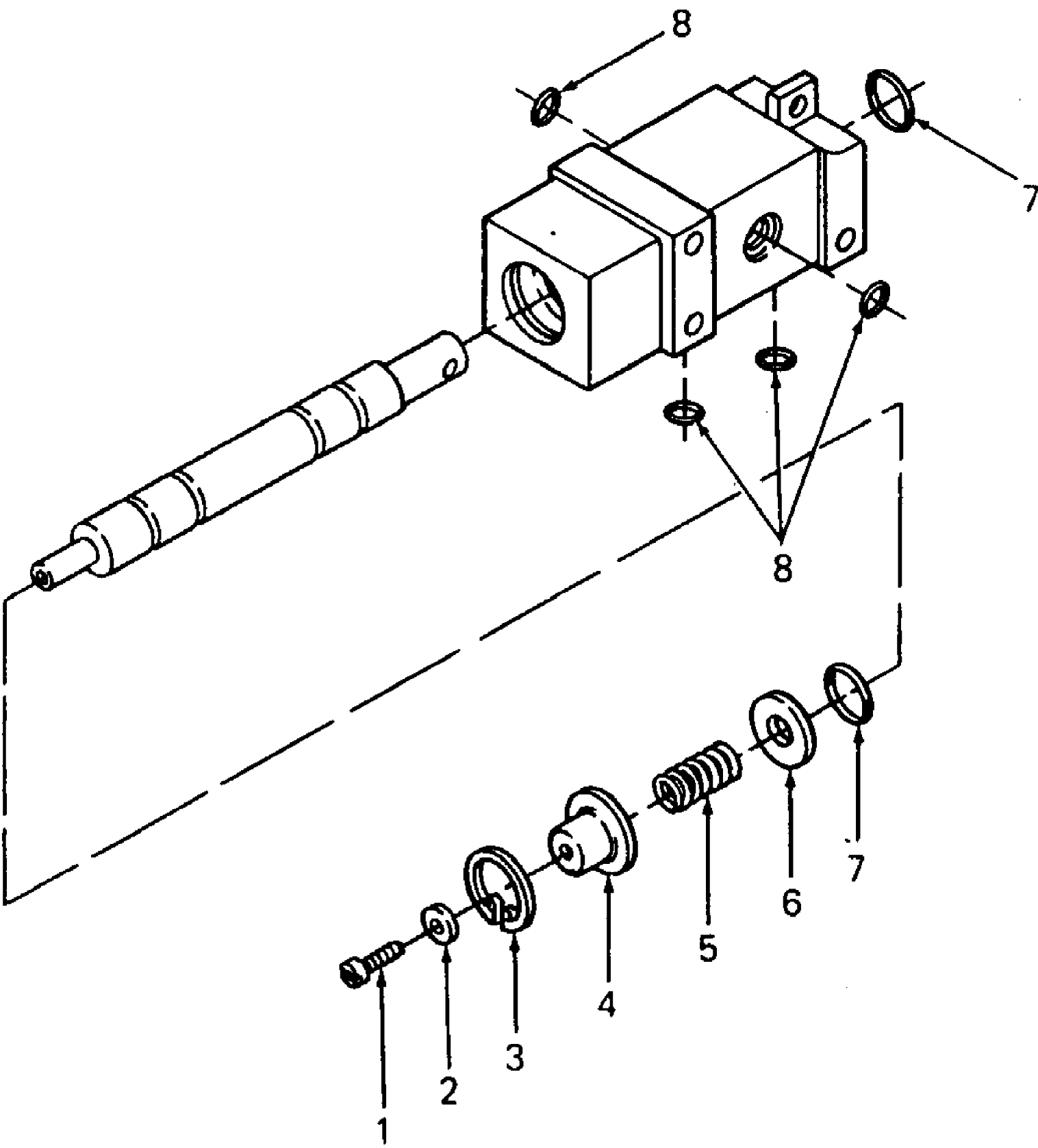
Ref #	Part Number	Qty	S/P/F	Description
1	703-1951	1		Pedestal
2	712-3044	2		Nut, Wing, 1/4-20
3	736-0463	10	S	Washer, Flat, .251 X .62 X .052 Thk
4	759-3667	1		Panel, LH Side
5	759-3668	1		Panel, RH Side
6	759-3564	1		Graphics Kit, LH Side Panel
	759-3565	1		Graphics Kit, RH Side Panel
7	710-3002	4	S	Screw, Hex Cap, 5/16-18 X 1.0 Lg GR5
8	736-0119	4	S	Washer, Lock, 5/16
9	703-0008	2	/P	Retainer, Grille Housing
10	731-3099	1		Grille, Insert
11	731-3102	1	S	Grille, Lens
12	759-3527	1	S	Grille w/Label
	779-3535	1		Label, Light
13	703-1829	1	S	Hinge Assy, Hood
14	710-3214	4	/P	Stud, Double Ended
15	712-0107	4	S	Nut, Hex Patch Lock, 1/4-20
16	703-1856	1		Plate, Hinge
17	710-0748	6	/P	Screw, Pan Hd Tap, #12 X .50 Lg
18	731-3089	1	S	Hood
19	779-3536	2	S	Graphic, Cub Cadet Script w/Studs
	726-3047	6	S	Retainer, Push Nut
20	710-3217	1	/P	Screw, Truss Hd, #8-32 X .38 Lg
21	732-3063A	1		Clip, Hood Latch
22	736-0310	1	/P	Washer, Flat, .16 X .38 X .045 Thk
23	712-3072	1	S	Nut, Hex Keps, #8-32
24	711-3296	1	S	Pin, Latch
25	710-0286	2	/P	Screw, Phillips Hd Truss Mach, 1/4-20 X .50 Lg
26	703-1955	1		Bracket Assy, LH Panel Mtg
	710-3013	2	/P	Screw, Hex Cap, 1/4-20 X .50 Lg GR5
	736-0329	2	S	Washer, Lock, 1/4
	712-3006	2	/P	Nut, Hex, 1/4-20 GR5



1882 S/N 800,000 - 821,059
Hydraulic Cylinder

Ref #	Part Number	Qty	S/P/F	Description
	759-3431	1	/P	Kit, Hydraulic Cylinder Seal (Includes Ref No. 1, 2, 3, 4 & 5)
1		1		O-Ring, 2-1/8 X 2-1/2 X 3/16
2		1		O-Ring, 3/4 X 1 X 1/8
3		1		O-Ring, 2-5/16 X 2-1/2 X 3/32
4		1		Seal, Hydraulic Cylinder Piston Rod Wiper
5		1		Retainer, Hydraulic Cylinder Front Head
6	717-3005	1	/P	Cylinder, Hydraulic

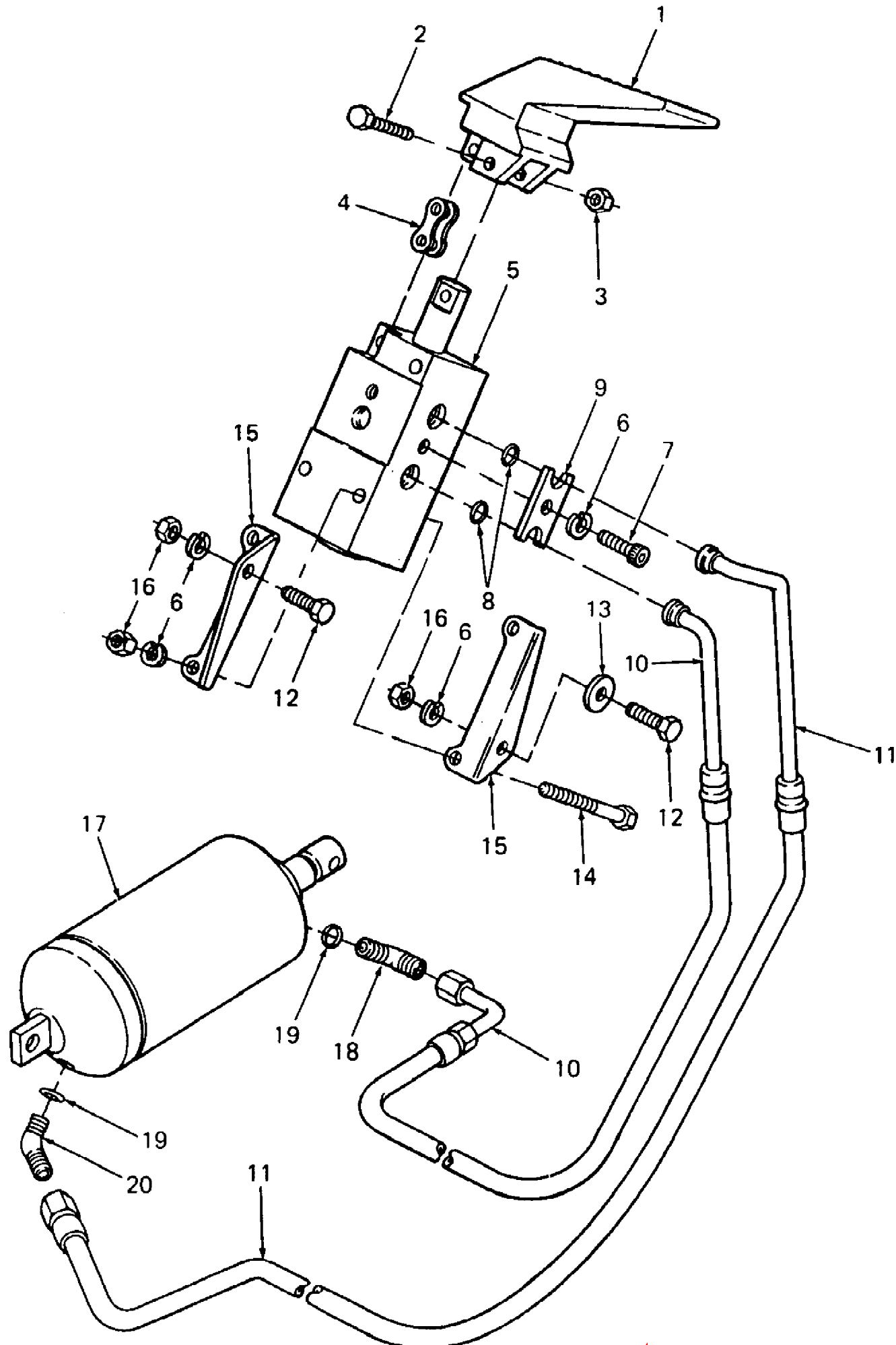
1882 S/N 800,000 - 821,059
Hydraulic Lift Valve



1882 S/N 800,000 - 821,059
Hydraulic Lift Valve

Ref #	Part Number	Qty	S/P/F	Description
	717-3308A	1	/P	Hydraulic Valve Assy
	759-3512	1		Kit, Valve Rebuild [Includes Ref No. 1, 2 ,3, 4, 5, 6, 7 (Qty 3) & 8 (Qty 6)]
1	710-0192	1	/P	Screw, Truss Mach, #10-24 X .38 Lg
2	736-0400	1	S	Washer, Flat, .218 X .62 X .063 Thk
3	716-3016	1		Ring, Int Snap, 1.023 Dia
4	711-3288	1		Cup, Centering
5	732-3059	1		Spring, Comp, .50 OD X .76 Lg
6	736-3008	1	S	Washer, Flat, .344 X .75 X .105 Thk
7	721-3022	2		O-Ring, .424 X .103 Dia
8	721-3021	4	S	O-Ring, .301 X .070 Dia

1882 S/N 800,000 - 821,059
Hydraulic Lift/Controls

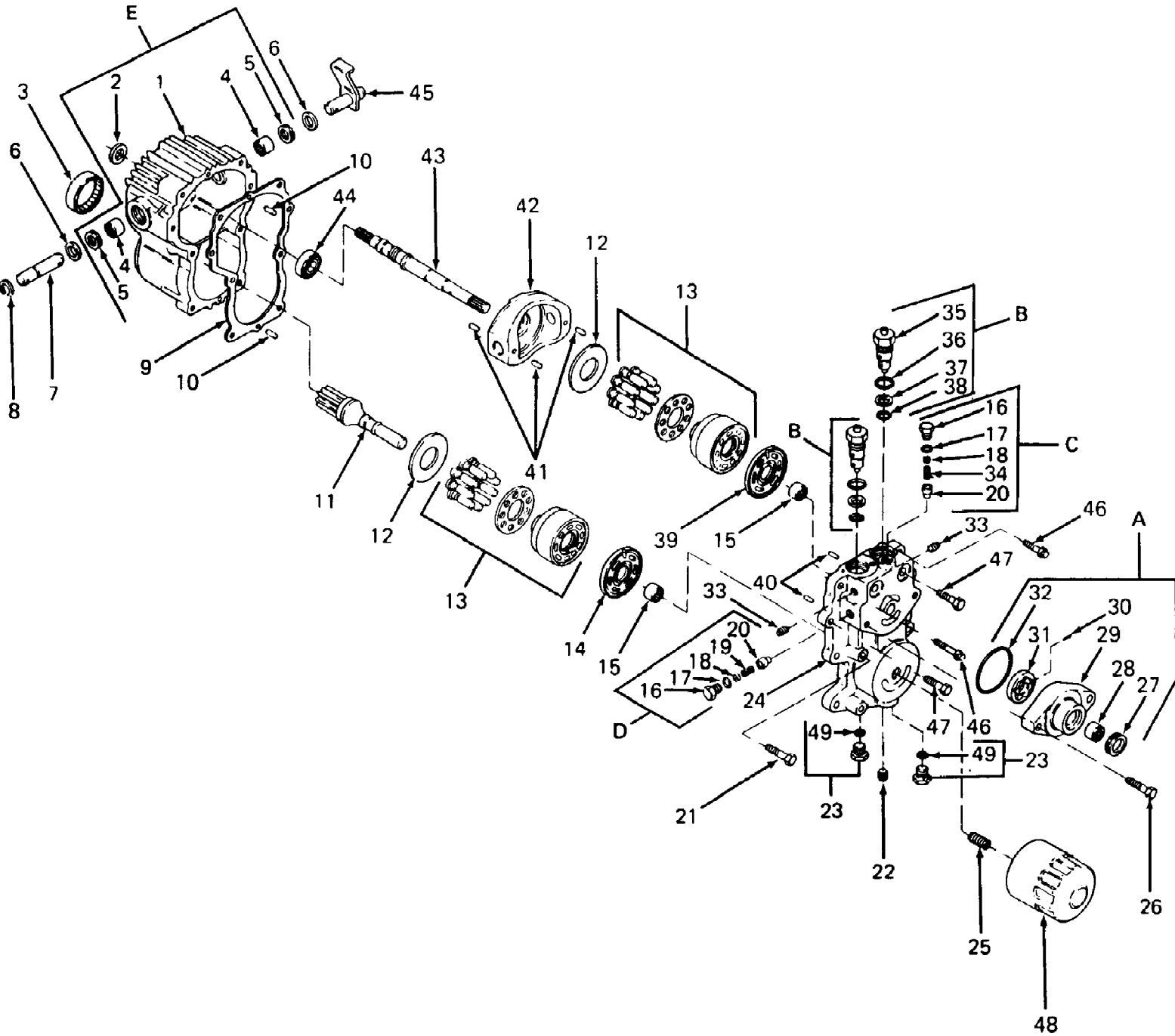


1882 S/N 800,000 - 821,059
Hydraulic Lift/Controls

Page 60 of 102

Ref #	Part Number	Qty	S/P/F	Description
1	731-3100	1	S	Handle, Valve
	779-3534	1	S	Label, Lift Handle
2	710-0749	1	S	Screw, Hex Cap, #10-24 X 1.0 Lg
3	712-0998	1	/P	Nut, Hex Center Lock, #10-24
4	713-3000	1	S	Link, Chain
5	717-3308A	1	/P	Valve, Lift (For component parts see breakdown under hydraulic lift valve)
6	736-0329	5	S	Washer, Lock, 1/4
7	710-3218	1		Screw, Socket Hd Cap, 1/4-20 X .62 Lg GR8
8	721-3021	2	S	O-Ring, .301 X .070 Dia
9	703-1803	1	S	Clamp, Double
10	727-3046	1		Hose, Cylinder-Contracting
	725-0157	1	/P	Strap, Tie
11	727-3045	1		Hose, Cylinder-Extending
12	710-0751	2	/P	Screw, Hex Cap, 1/4-20 X .62 Lg GR5
13	736-0270	1	/P	Washer, Bell, .265 X .75 X .062 Thk
14	710-0641	2	/P	Screw, Hex Cap, 1/4-20 X 2.25 Lg
15	703-1801	2		Bracket, Valve Mtg
16	712-3006	4	/P	Nut, Hex, 1/4-20 GR5
17	717-3005	1	/P	Cylinder, Hydraulic (For component parts see breakdown under hydraulic cylinder)
18	727-3006	1	/P	Elbow, 90 Deg w/O-Ring
19	721-3002	2	/P	O-Ring, 1/4 OD Tube
20	727-3007	1	/P	Elbow, 45 Deg w/O-Ring

1882 S/N 800,000 - 821,059
Hydrostatic Transmission



1882 S/N 800,000 - 821,059
Hydrostatic Transmission

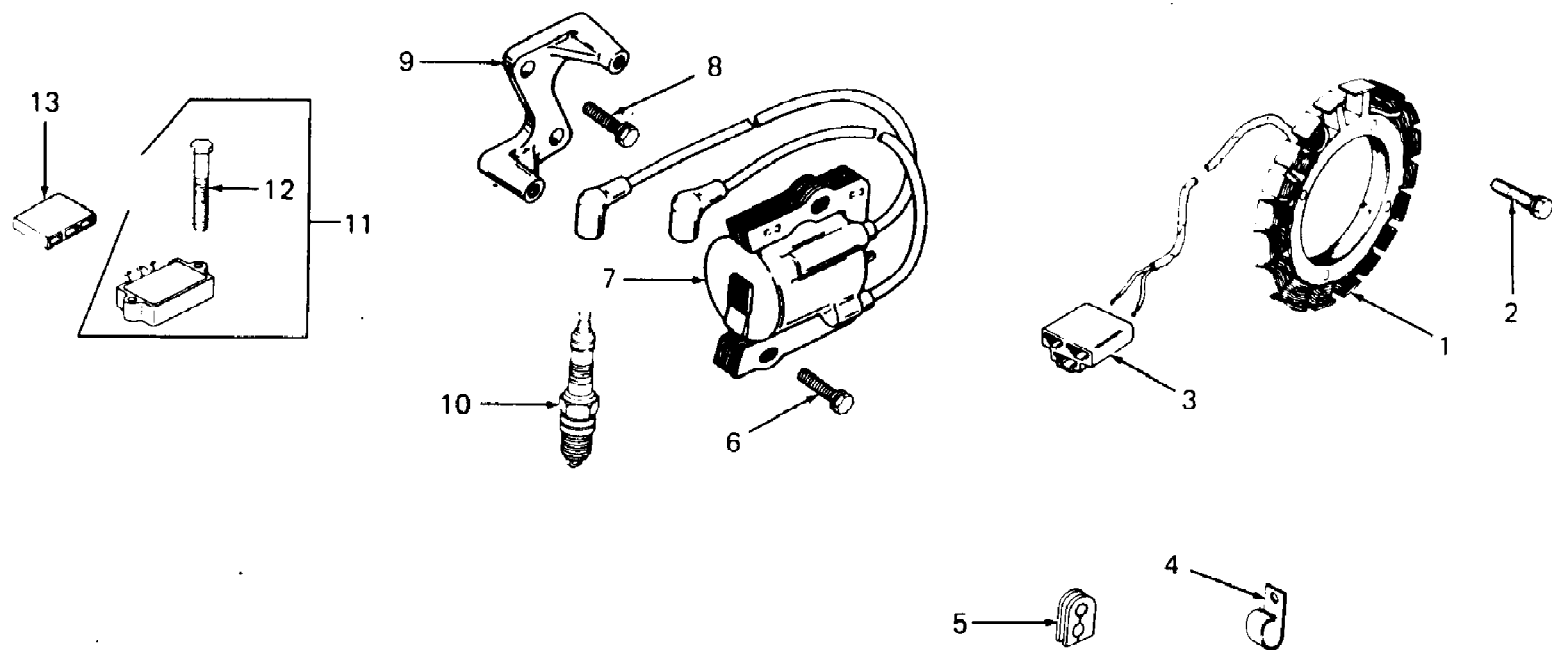
Page 62 of 102

Ref #	Part Number	Qty	S/P/F	Description
A	SU-9510405-0003	1	/P	Kit, Charge Pump (Includes Ref No. 27, 28, 29, 30, 31 & 32)
B	SU-9500085	2	S	Valve Assembly (Includes Ref No. 35, 36, 37 & 38)
C	SU-9510385-0003	1		Kit, Relief Valve [Includes Ref No. 16, 17, 18 (2), 20 & 34]
D	SU-9510385-0001	1		Kit, Relief Valve [Includes Ref No. 16, 17, 18 (2), 19 & 20]
E	SU-3103078	1		Housing Assembly [Includes Ref No. 1, 2, 4 (2) & 5 (2)]
1	SU-3103069	1		Housing, Transmission
2	SU-9008000-7505	1	S	Seal, Lip
3	SU-9001370-0003	1	/P	Bearing, Roller
4	SU-9001455-0004	2		Bearing, Needle
5	SU-9008000-6701	2	/P	Seal, Lip
6	SU-9009625-6904	2	/P	Washer
7	SU-3101045	1	/P	Shaft, Trunnion
8	SU-9006320-0069	1		Ring, Retaining
9	SU-3102875	1	S	Gasket
10	SU-9004800-2506	2	S	Pin
11	SU-3102907	1	/P	Shaft, Motor
12	SU-3102020	2	/P	Plate, Thrust
13	SU-3103136	2	/P	Block, Cylinder
14	SU-3102687	1	/P	Plate, Valve
15	SU-9001355-0001	2	/P	Bearing, Roller
16	SU-3100055	2	/P	Plug
17	SU-9004201-3100	2	S	O-Ring
18	SU-9510447	4	/P	Kit, Shim Pack
19	SU-3101536	1	/P	Spring, Center Relief Valve
20	SU-3100053	2	/P	Cone, Relief Valve
21	SU-9007200-3728	4		Screw, Hex
22	SU-9005001-2500	1		Plug, Pipe
23	SU-9005100-7500	2		Plug
24	SU-3103110	1	S	Center Section
25	SU-3101069	1	/P	Pipe
26	SU-9007206-4428	2		Screw, Hex
27	SU-9008000-6201	1	S	Seal, Lip
28	SU-9001455-0002	1	/P	Bearing, Needle
29		1		Charge Pump Housing (Order Charge Pump Kit No. SU-9510405-0003)
30	SU-9004875-0076	1	/P	Pin
31		1		Gerotor (Order Charge Pump Kit No. SU-9510405-0003)
32	SU-9004100-0360	1		O-Ring
33	SU-9005001-1200	4		Plug, Pipe
34	SU-3102301	1		Spring, Implement Relief
35		1		Valve (Order Valve Assembly No. SU-9500085)
36	SU-9004201-6200	2		O-Ring

1882 S/N 800,000 - 821,059
Hydrostatic Transmission

Ref #	Part Number	Qty	S/P/F	Description
37	SU-9006110-0160	2	/P	Ring, Back-up
38	SU-9004100-0160	2		O-Ring
39	SU-3102731	1	/P	Plate, Valve
40	SU-9004800-1508	2	/P	Pin
41	SU-9004690-1910	3	/P	Pin, Spring
42	SU-3103072	1		Swashplate
43	SU-3103546	1	S	Shaft, Pump
44	SU-9001310-0001	1	/P	Bearing, Ball
45	SU-3103181	1	S	Shaft Assembly, Trunnion
46	SU-9007500-3722	2		Screw, 12 Point
47	SU-9007200-3724	2		Screw, Hex
48	723-3014	1	S	Oil Filter
49	SU-9004201-5000	2		O-Ring

1882 S/N 800,000 - 821,059
Ignition



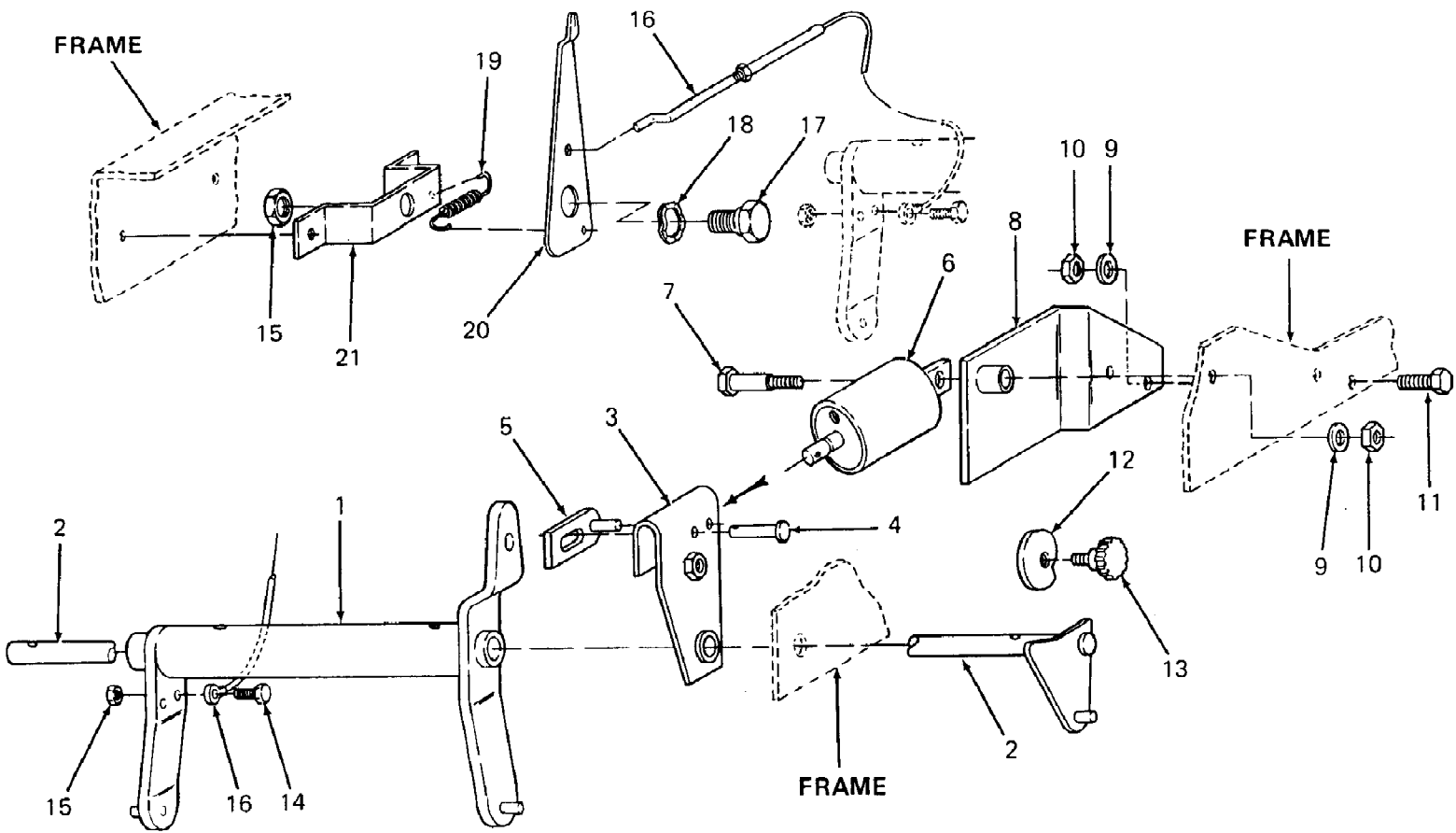
1882 S/N 800,000 - 821,059
Ignition

Page 65 of 102

Ref #	Part Number	Qty	S/P/F	Description
1	KH-237878	1	/P	Kit, Stator
2	KH-X-67-51	4	S	Screw, Hex Wash Hd, #10-24 X .75 Lg
3	KH-236473	1		Connector
4	KH-48-154-02	1		Clip, Lead
5	KH-52-313-02	1		Grommet
6	KH-25-086-15	2		Screw, Hex Wash Hd, 1/4-20 X 1.0 Lg
7	KH-52-584-02	1	/P	Module, Ignition
8	KH-25-086-16	2		Screw, Hex Wash Hd, 1/4-20 X .87 Lg
9	KH-52-126-08	1		Bracket, Module
10	759-3337	2		Spark Plug
11	KH-25-755-03	1	/P	Kit, Rectifier-Regulator [Includes Ref No. 12 (Qty 2)]
12	KH-X-132-5	2		Screw, Hex Cap, 1/4-20 X .62 Lg
13	KH-236602	1	S	Connector, Rectifier-Regulator
	KH-52-518-16	1		Lead, Module to Connector (27"-18 gauge-insulated push-on tab & uninsulated push-on tab terminals)
	KH-25-518-10	1		Lead, Rectifier-Regulator (16"-14 gauge-uninsulated push-on tab terminals)

1882 S/N 800,000 - 821,059
Implement Lift

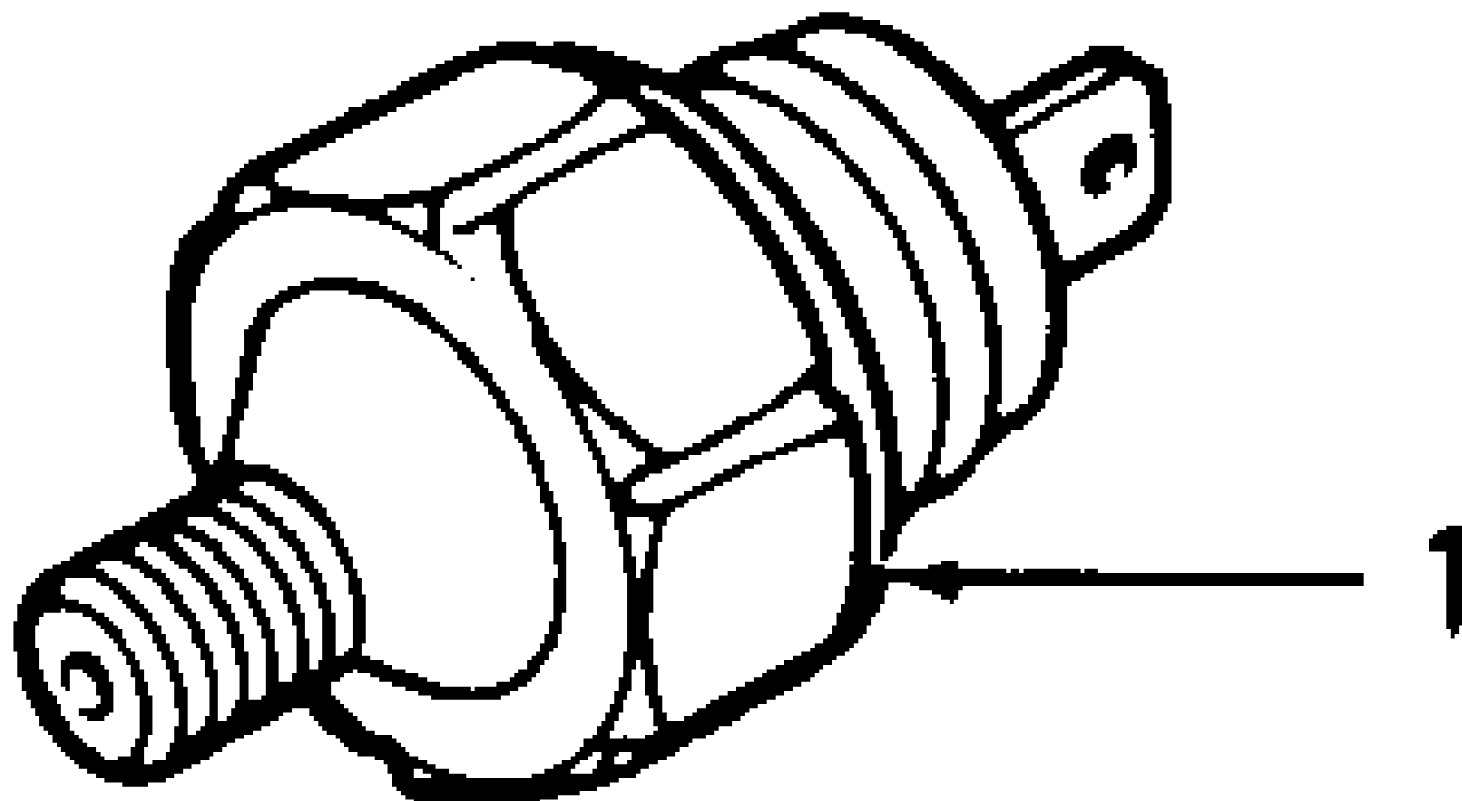
Page 66 of 102



1882 S/N 800,000 - 821,059
Implement Lift

Ref #	Part Number	Qty	S/P/F	Description
1	703-0838	1		Lift Assy, Rockshaft
	715-3020	2		Pin, Slotted Roll, 3/8 Dia X 2.0 Lg
2	703-0854	1	S	Rockshaft Assy
3	703-0268	1		Bracket, Lift
4	711-3030	1		Pin, Clevis, 1/2 Dia X 2.172 Lg
	736-0108	1	S	Washer, Flat, .510 X .75 X .033 Thk
	714-0115	1	S	Pin, Cotter, 1/8 Dia X 1.0 Lg
5	703-0176	1	/P	Pin Assy, Lift
6	717-3005	1	/P	Cylinder, Hydraulic (For Component Parts See Breakdown Under Hydraulic Cylinder)
7	738-3008	1		Bolt, Shoulder
8	703-0174	1		Bracket, Cylinder
9	736-3019	3		Washer, Flat, .531 X 1.06 X .134 Thk
10	712-3022	3	/P	Nut, Hex Center Lock, 1/2-13 GR5
11	710-3032	2	/P	Screw, Hex Cap, 1/2-13 X 1.25 Lg GR5
12	703-0189	1	/P	Cam, Lift Handle Stop
13	720-3005	1		Knob, Torque
14	710-0206	1	/P	Screw, Hex Cap, 1/4-20 X .88 Lg
15	712-0107	2	S	Nut, Hex Patch Lock, 1/4-20
16	746-3018	1	S	Cable Assy, Indicator
17	738-0255	1	S	Screw, Shoulder, .375 Dia X .181
18	736-0286	1	S	Washer, Bowed Spring
19	732-0357	1	S	Spring, Extension, .33 OD X 1.12 Lg
20	703-1483	1	S	Indicator Arm
21	703-1482	1		Bracket, Mounting
	728-3012	2		Rivet, Pop, .125 Dia X .419 Lg

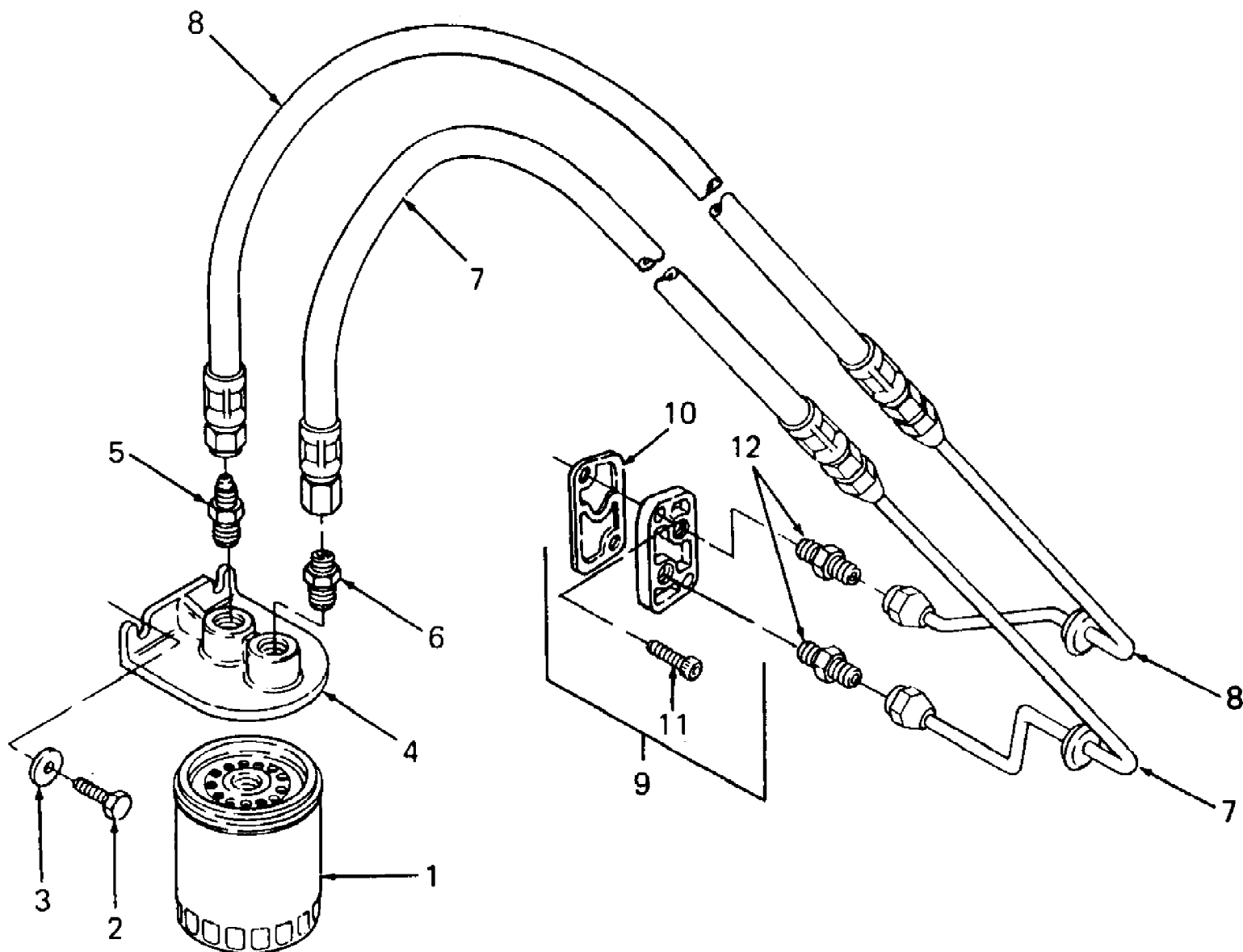
1882 S/N 800,000 - 821,059
Low Oil Pressure Switch



1882 S/N 800,000 - 821,059
Low Oil Pressure Switch

Ref #	Part Number	Qty	S/P/F	Description
1	KH-52-099-06	1	S	Oil Pressure Switch
	KH-52-518-08	1		Lead (21"-18 gauge, insulated push-on tab & uninsulated push-on tab terminals)

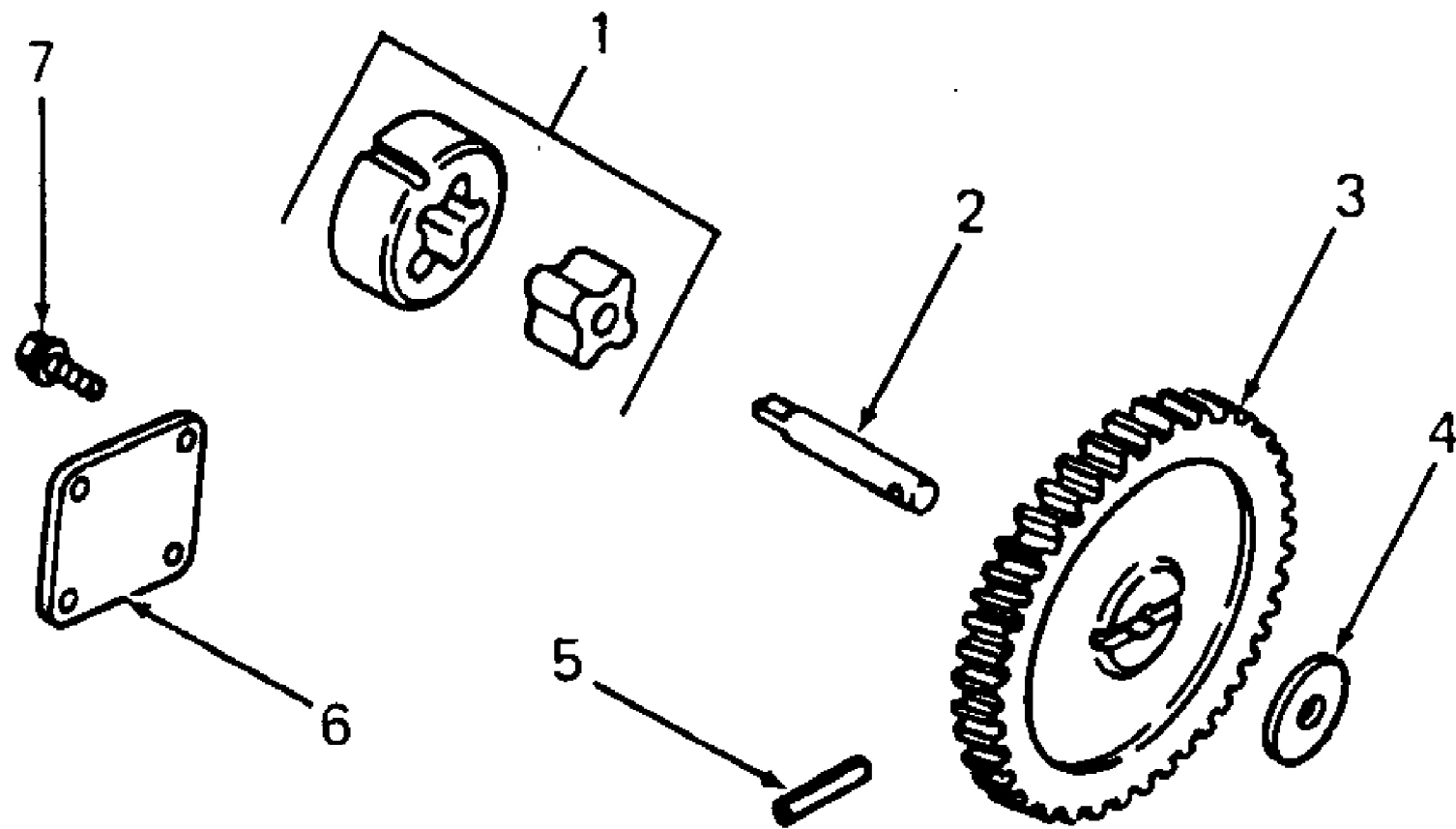
1882 S/N 800,000 - 821,059
Oil Filter



1882 S/N 800,000 - 821,059
Oil Filter

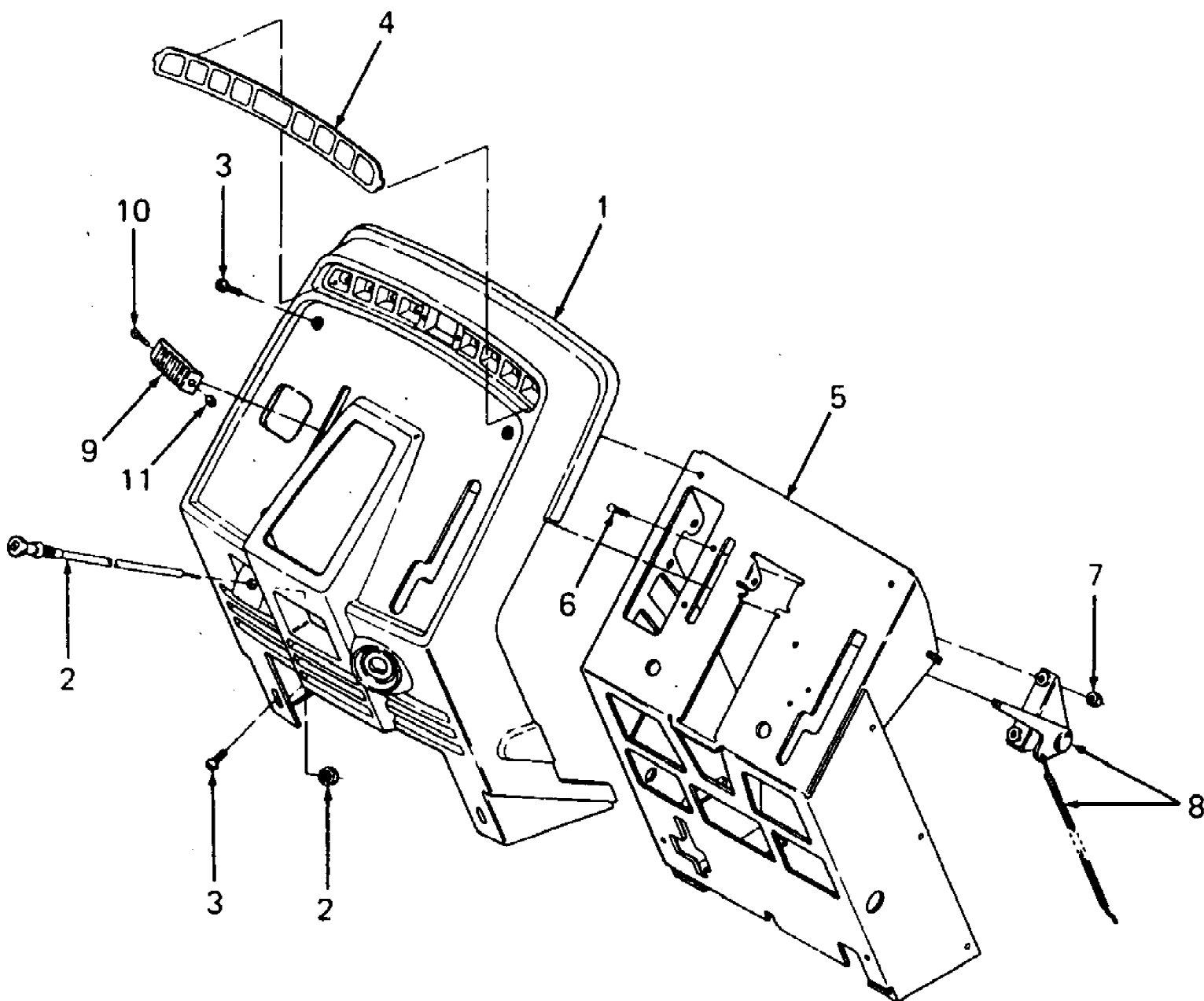
Ref #	Part Number	Qty	S/P/F	Description
1	KH-52-050-02	1	S	Oil Filter
2	710-0376	2	/P	Screw, Hex Cap, 5/16-18 X 1.0 Lg GR5
3	736-0105	2	/P	Washer, Bell, .380 X .88 X .060 Thk
4	KH-25-029-01	1	S	Adapter, Remote Oil Filter
5	KH-52-155-03	1		Nipple, Hexagon
6	KH-52-136-02	1		Connector, Reducing
7	KH-52-353-12	1	S	Oil Line - 20.5 Long
8	KH-52-353-21	1	/P	Oil Line - 22.5 Long
9	KH-52-755-67	1	/P	Kit, Oil Filter Cover [Includes Ref No. 10 & 11 (Qty 2)]
10	KH-52-041-16	1	/P	Gasket, Oil Filter Cover
11	KH-X-55-15	2		Screw, Hex Socket Hd Cap, 5/16-18 X 1.25 Lg
12	KH-52-155-07	2		Connector, Reducing

1882 S/N 800,000 - 821,059
Oil Pump



1882 S/N 800,000 - 821,059
Oil Pump

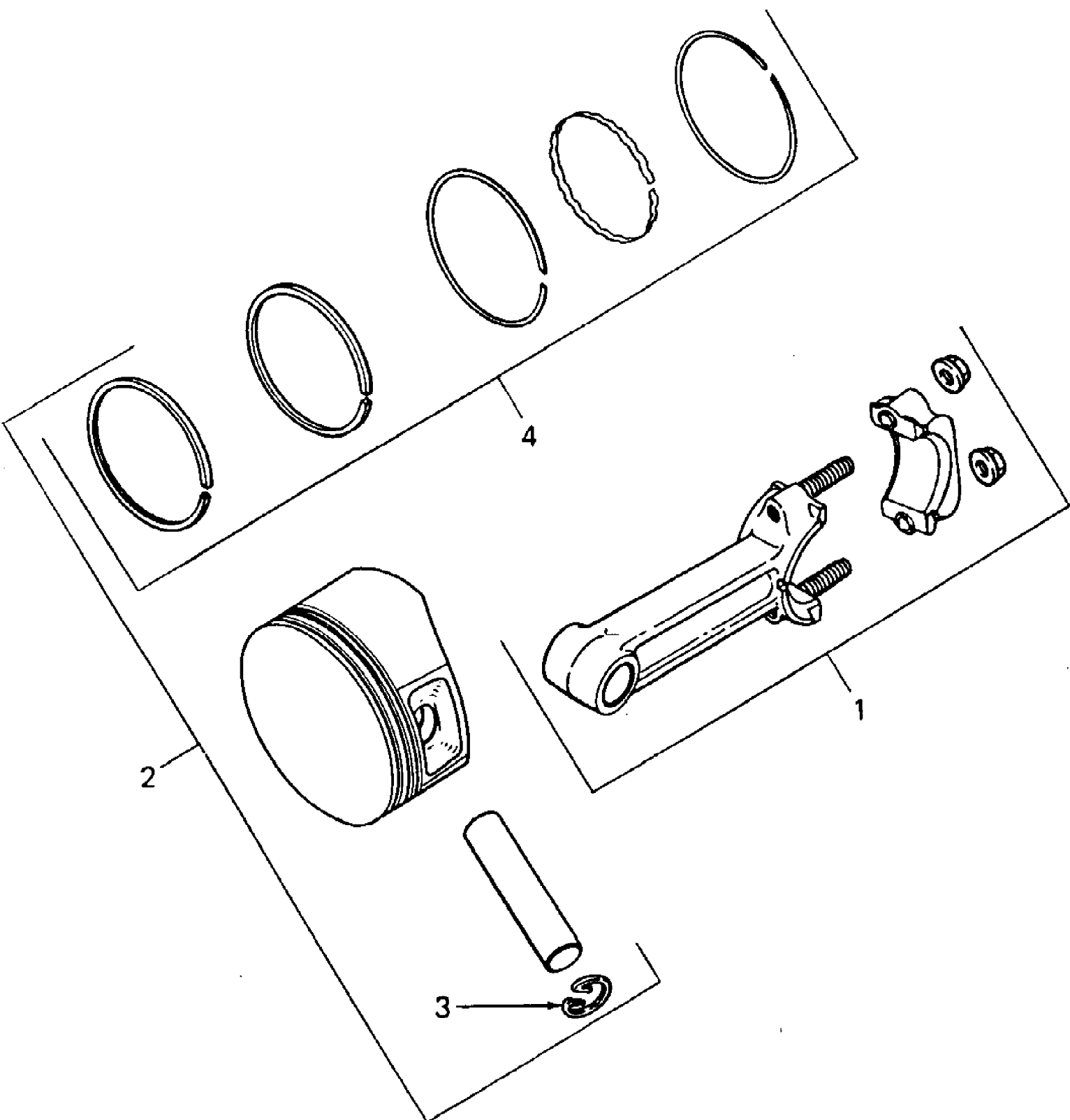
Ref #	Part Number	Qty	S/P/F	Description
1	KH-52-393-09	1	/P	Rotor Set
2	KH-52-144-05	1	/P	Shaft, Oil Pump
3	KH-52-043-05	1	S	Gear, Oil Pump
4	KH-52-422-01	AR	/P	Spacer, Shim
5	KH-X-280-25	1		Pin, Roll
6	KH-52-096-03	1		Cover, Oil Pump
7	KH-X-67-64	4	S	Screw, Hex Wash Hd, 10-32 X 7/16



1882 S/N 800,000 - 821,059
 Pedestal, Instrument Panel & Engine Controls

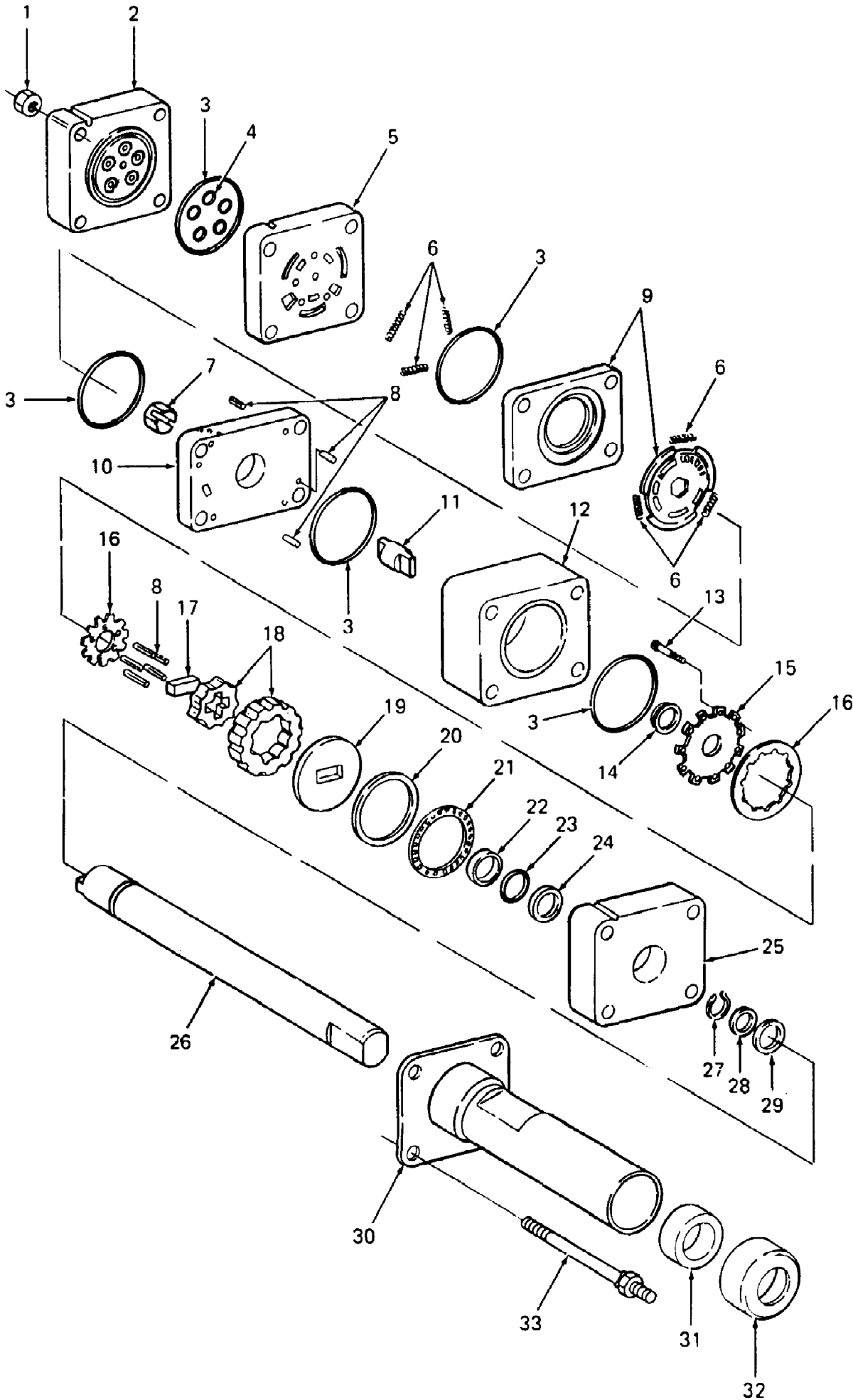
Ref #	Part Number	Qty	S/P/F	Description
1	731-3096	1	S	Panel, Instrument
2	746-3029	1	S	Choke Cable w/Nut
3	712-3009	5	S	Screw, Pan Hd Cutting, #10-24 X .75 Lg
4	779-3507	1		Label, Dash
5	703-1951	1		Pedestal
6	710-0709	2		Stud, Self Clinching
7	712-3071	2	S	Nut, Hex Keps, #10-32
8	746-3028	1	S	Control, Throttle
9	731-3106	1	S	Knob, Throttle
10	710-3217	1	/P	Screw, Cross Rec Truss Hd, #8-32 X .38 Lg
11	712-0142	1	/P	Nut, 8-32

1882 S/N 800,000 - 821,059
Piston & Rod



1882 S/N 800,000 - 821,059
Piston & Rod

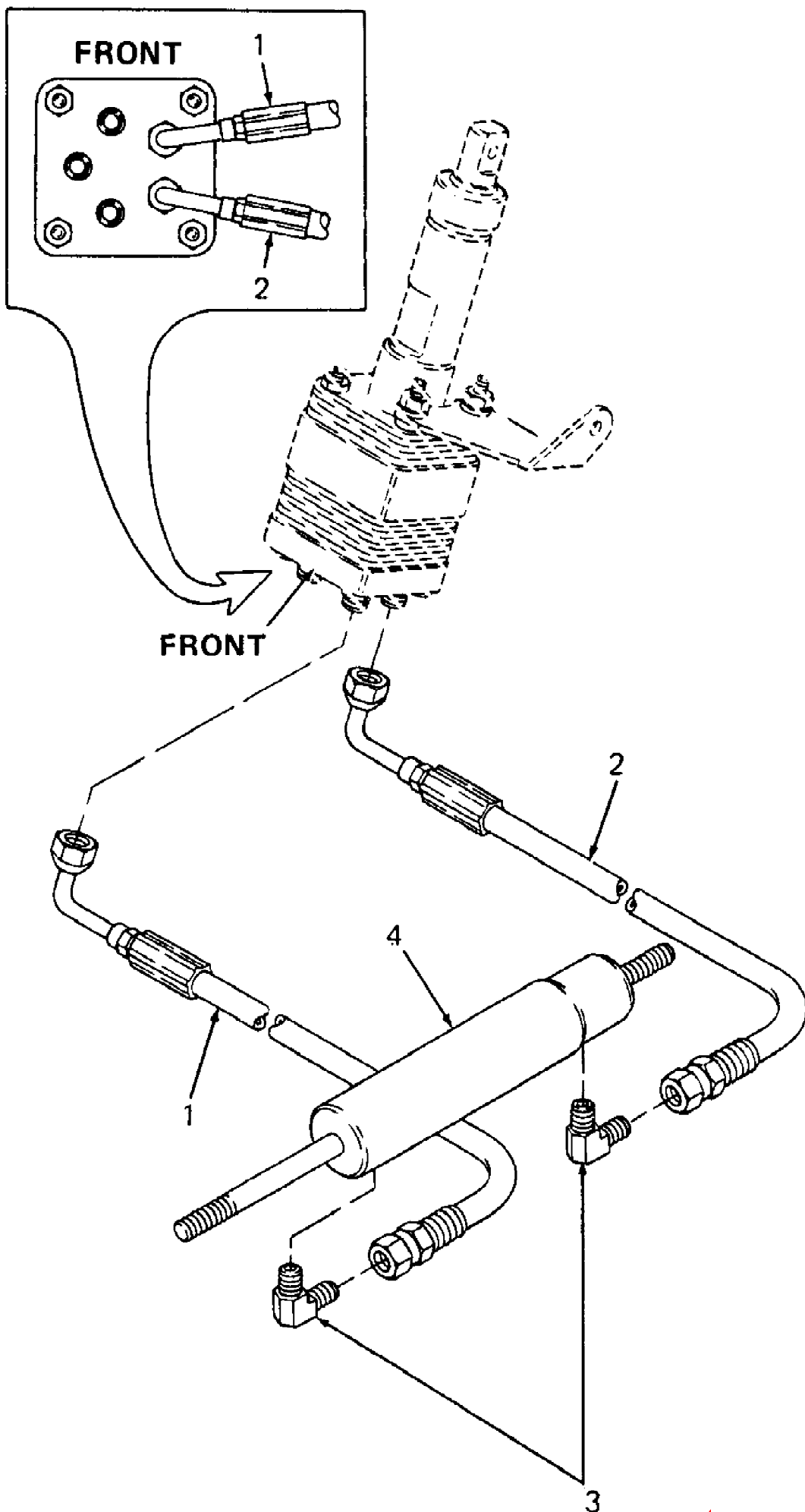
Ref #	Part Number	Qty	S/P/F	Description
1	KH-52-067-67	2	S	Rod, Connecting (Std)
	KH-52-067-68	2	S	Rod, Connecting (.010)
2	KH-52-874-11	2	/P	Piston w/Ring Set (Std) [Includes Ref No. 3 (Qty 2) & 4]
	KH-52-874-12	2		Piston w/Ring Set (.003)
	KH-52-874-13	2	/P	Piston w/Ring Set (.010)
	KH-52-874-14	2	S	Piston w/Ring Set (.020)
	KH-52-874-15	2	/P	Piston w/Ring Set (.030)
3	KH-230004	4	/P	Retainer, Piston Pin
4	KH-52-108-09	2	/P	Ring Set (Std & .003)
	KH-52-108-10	2	/P	Ring Set (.010)
	KH-52-108-11	2	/P	Ring Set (.020)
	KH-52-108-12	2		Ring Set (.030)



1882 S/N 800,000 - 821,059
Power Steering Box Assembly

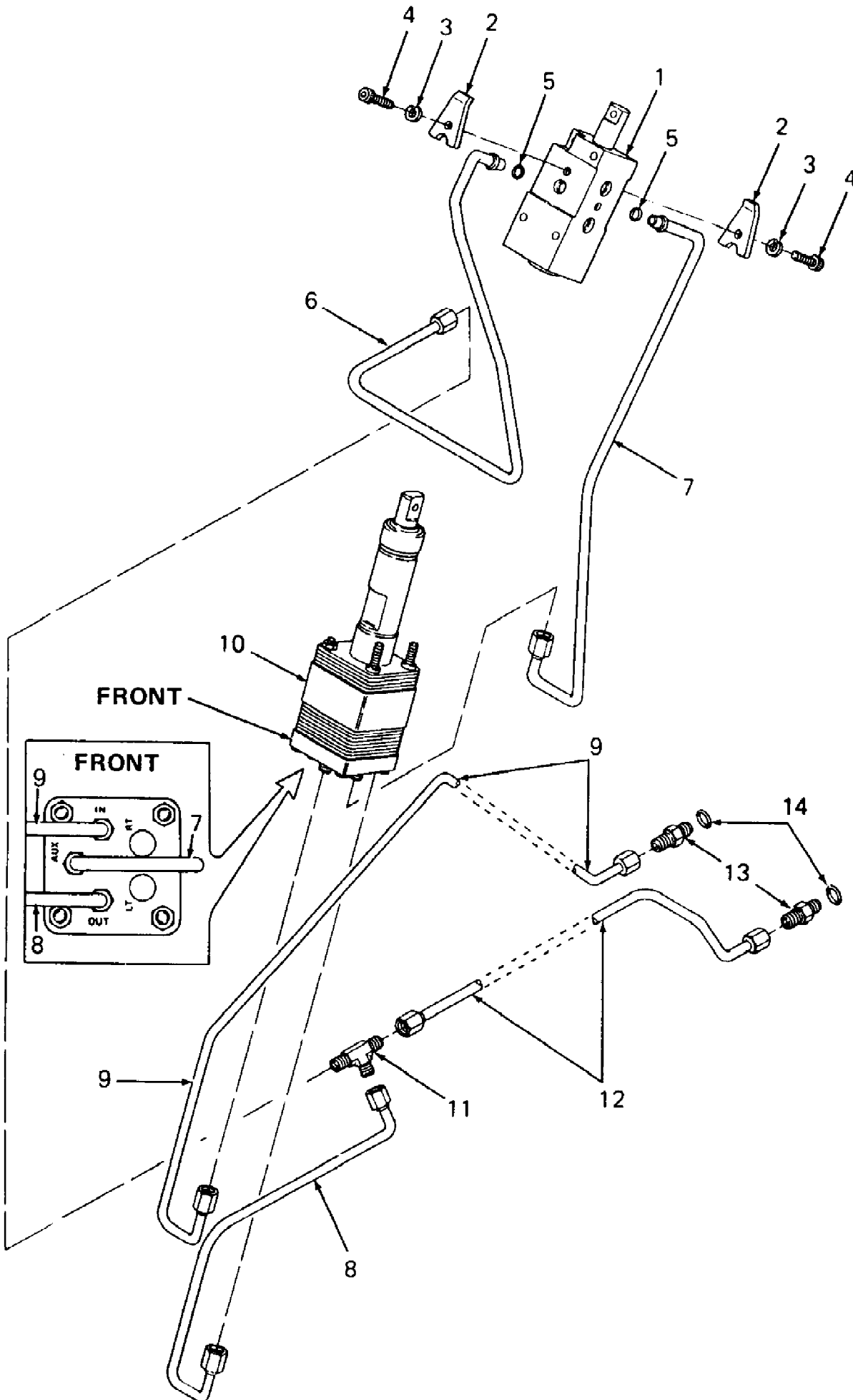
Page 79 of 102

Ref #	Part Number	Qty	S/P/F	Description
	703-1858	1		Power Steering Box Assy w/Flat
1	712-3057	4	S	Nut, Hex, 5/16-24
2	RG-HGF016015-X1	1	/P	Power Cover & Check Valve Assy
3	RG-032755	5		Ring, Seal
4	RG-032758	5		O-Ring
5	RG-HGF015008	1		Manifold, Port
6	RG-401443-X1	1		Kit, Spring
7	RG-HGF013001-A1	1		Drive Assy, Hex
8	RG-040147-X1	1		Roller Kit, Needle
9	RG-HGF014000-A1	1		Valve & Ring Assy
10	RG-HGF015000	1		Manifold, Isolation
11	RG-HGF013002	1		Drive Link
12	RG-HGF019008	1		Ring, Metering
13	RG-021347-0112	11		Screw
14	RG-032724	1		Seal
15	RG-HGF014001	1		Cover, Commutator
16	RG-HGF014002-A1	1		Commutator & Ring Assy
17	RG-477301-0034	1		Spacer, Drive Link
18	RG-HGF107000	1		Rotor Assy
19	RG-HGF013000	1		Drive Plate
20	RG-477300	1		Spacer
21	RG-069020	1		Bearing, Thrust
22	RG-478046	1	/P	Seal, Face
23		1		Ring, Back-up (Order Seal Kit)
24	RG-477297	1		Seal, Spacer
25	RG-HGF016001	1		Plate, Upper Cover
26	RG-086125-S10771	1		Input Shaft Assy
27	RG-401465	1		Ring, Retaining
28	RG-028493	1		Washer
29	RG-028495	1		Plate, Retaining
30	759-3572	1		Upper Cover & Tube Assy w/Flat
31	RG-061016X1	1	/P	Bearing, Column
32	RG-402405	1		Dust Seal, Column
33	RG-021360-0462	4		Bolt, Special
	RG-SK000097	1	/P	Kit, Seal [Includes Ref No. 3 (Qty 5), 4 (Qty 5), 14, 22 & 23]



1882 S/N 800,000 - 821,059
Power Steering Cylinder & Hydraulic Lines

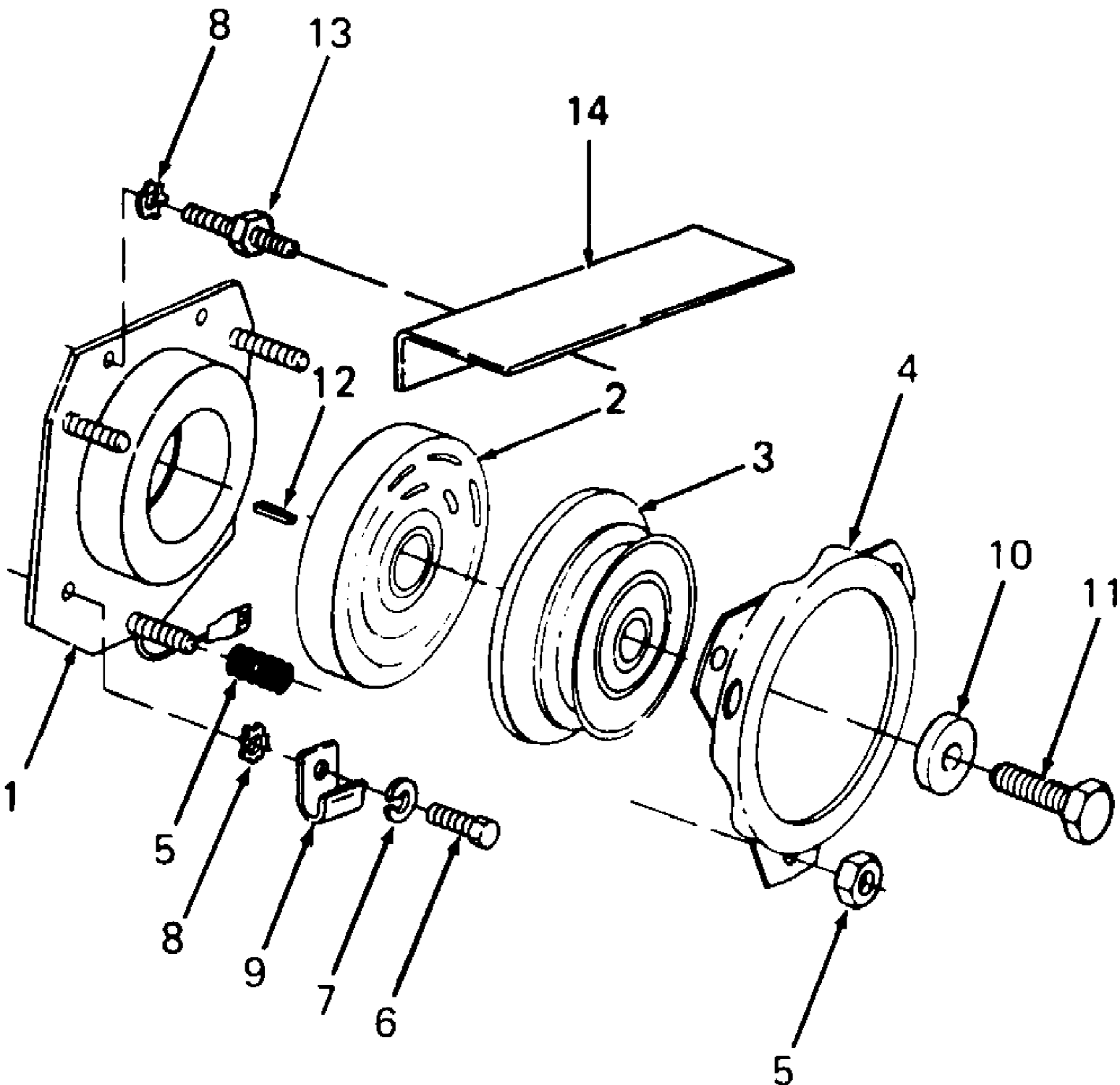
Ref #	Part Number	Qty	S/P/F	Description
1	727-3038	1		Hose, Steering, 10.5 Lg
2	727-3037	1		Hose, Steering, 8.9 Lg
3	727-3012	2	/P	Elbow, 90 Deg Tube
4	717-3041A	1	S	Cylinder, Power Steering



1882 S/N 800,000 - 821,059
Power Steering Hydraulics

Page 83 of 102

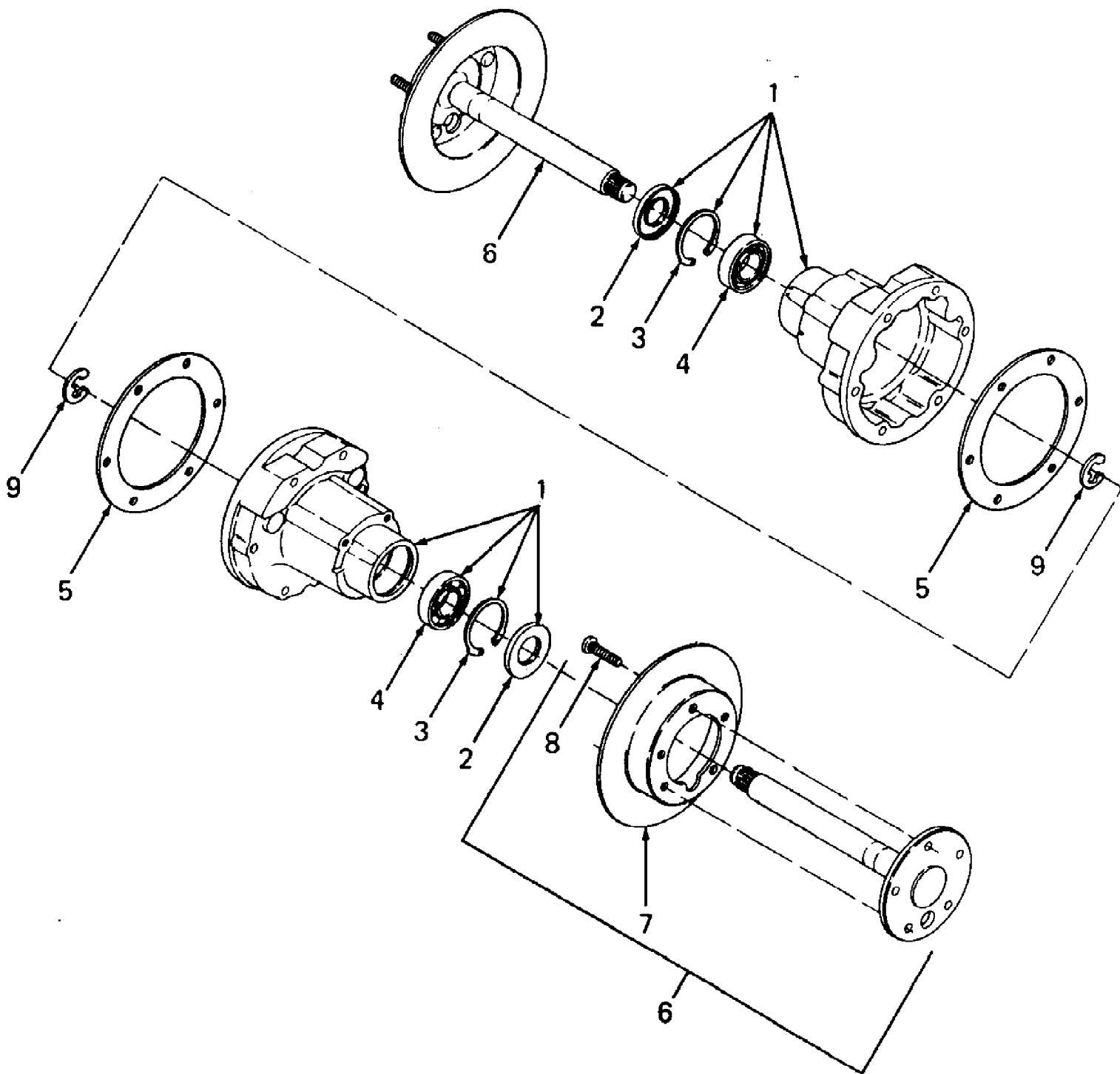
Ref #	Part Number	Qty	S/P/F	Description
1	717-3308A	1	/P/F	Valve, Lift
2	703-1802	2		Clamp, Single
3	736-0329	2	S	Washer, Lock, 1/4
4	710-3218	2		Screw, Socket Hd Cap, 1/4-20 X .62 Lg GR8
5	721-3021	2	S	O-Ring, .301 X .070 Dia
6	727-3048	1		Tube Assy, P.S. Return - Upper
	735-3007	3	S	Spacer, Rubber
	726-3020	3		Strap, Lock
7	727-3052	1		Tube Assy, P.S. Aux
8	727-3055	1		Tube Assy, P.S. Return
9	727-3053	1		Tube Assy, P.S. Inlet
10	703-1858	1	F	Power Steering Box w/Flat
11	727-3056	1		T-Fitting
12	727-3049	1		Tube Assy, P.S. Return - Lower
13	727-3002	2	S	Connector, 37 Deg Tube
14	721-3001	2	/P	O-Ring, 3/8 OD Tube



1882 S/N 800,000 - 821,059
PTO Clutch

Page 85 of 102

Ref #	Part Number	Qty	S/P/F	Description
	717-3044	1	S	PTO Clutch (Includes Ref No. 1, 2, 3, 4 & 5)
1	759-3300	1	S	Field
2	759-3301	1		Rotor
3	759-3304	1		Armature
4	759-3305	1		Drum, Brake
5	759-3306	1	/P	Spring & Nut Kit
6	710-3030	2		Screw, Hex Cap, 7/16-14 X .75 Lg GR5
7	736-0171	2	S	Washer, Lock, 7/16
8	736-3086	4		Washer, Ext. Lock, .45 X .75 X .035 Thk
9	726-3008	1	/P	Clamp, Cable
10	736-3017	1	/P	Washer, Flat, .47 X 1.5 X .225 Thk
11	710-3029	1	/P	Screw, Hex Cap, 7/16-20 X 1.25 Lg GR5
12	714-0119	1	S	Key, Square, 1/4 X .75 Lg
13	711-3006	2	/P	Stud, 7/16-14 Trd
14	703-1981	1		Baffle, PTO

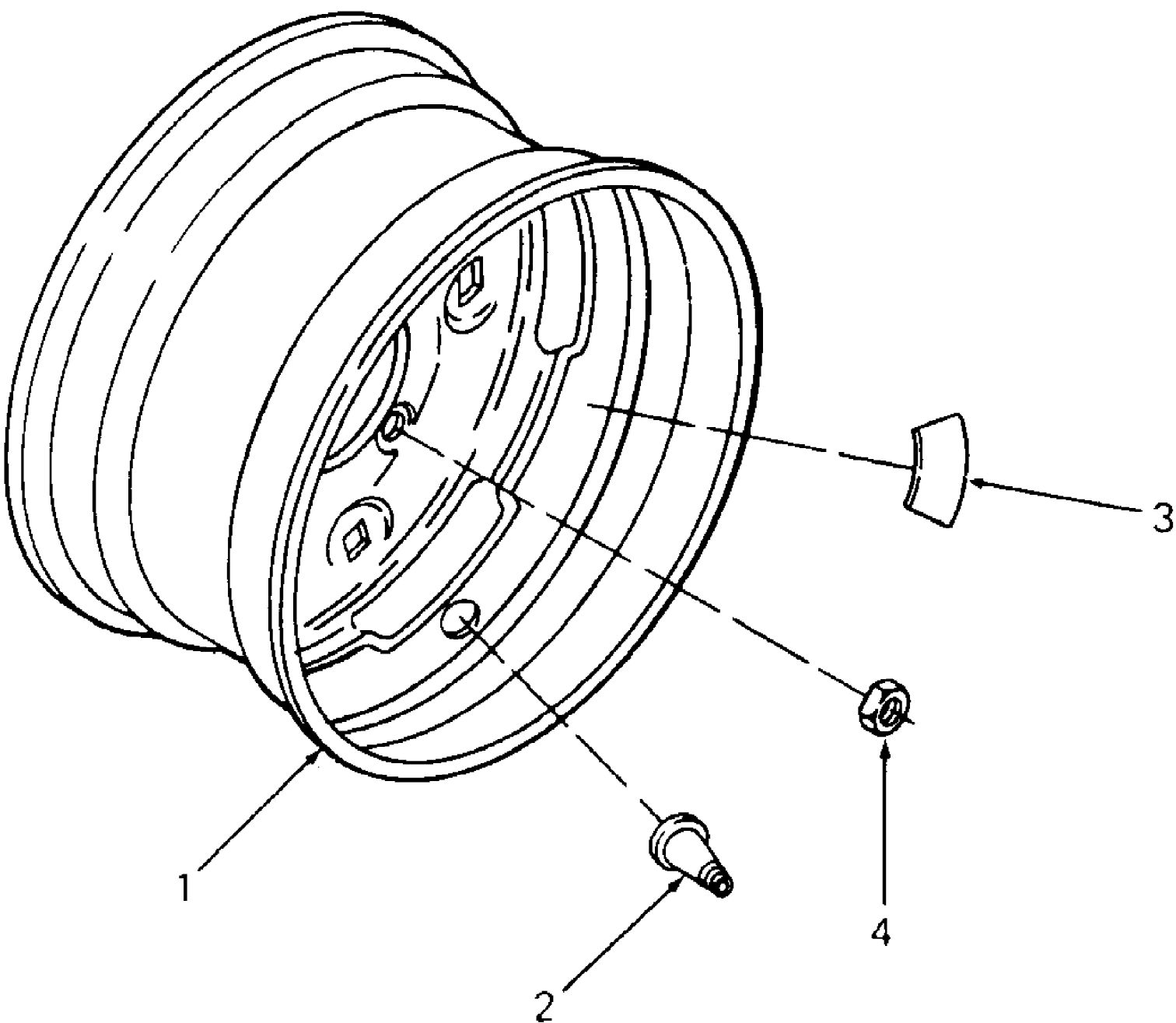


1882 S/N 800,000 - 821,059
Rear Axle Carrier

Ref #	Part Number	Qty	S/P/F	Description
1	703-1788	2		Carrier Assy, Rear Axle (Includes Ref No. 2, 3 & 4)
	736-0213	8	/P	Washer, Bell, 3/8 Dia
	736-0169	4	S	Washer, Lock, 3/8
	710-3116	4	/P	Bolt, Hex Patch, 3/8-16 X 2.5 Lg GR5
	710-3115	4	/P	Bolt, Hex Patch, 3/8-16 X 3.0 Lg GR8
	710-3124	4		Bolt, Hex Patch, 3/8-16 X 2.25 Lg GR5
2	721-3020	2	S	Seal, Oil
3	716-3015	1		Ring, Retaining
4	741-3033	2	S	Bearing, Ball
5	721-3014	2	/P	Gasket, Carrier
6	703-1806	2	S	Axle Assy, Rear [Includes Ref No. 7 & 8 (Qty 5)]
7	703-1500A	2	/P	Disc, Brake
8	710-0852	10	/P	Bolt, Lug
9	716-0136	2	/P	Retainer, E-Ring

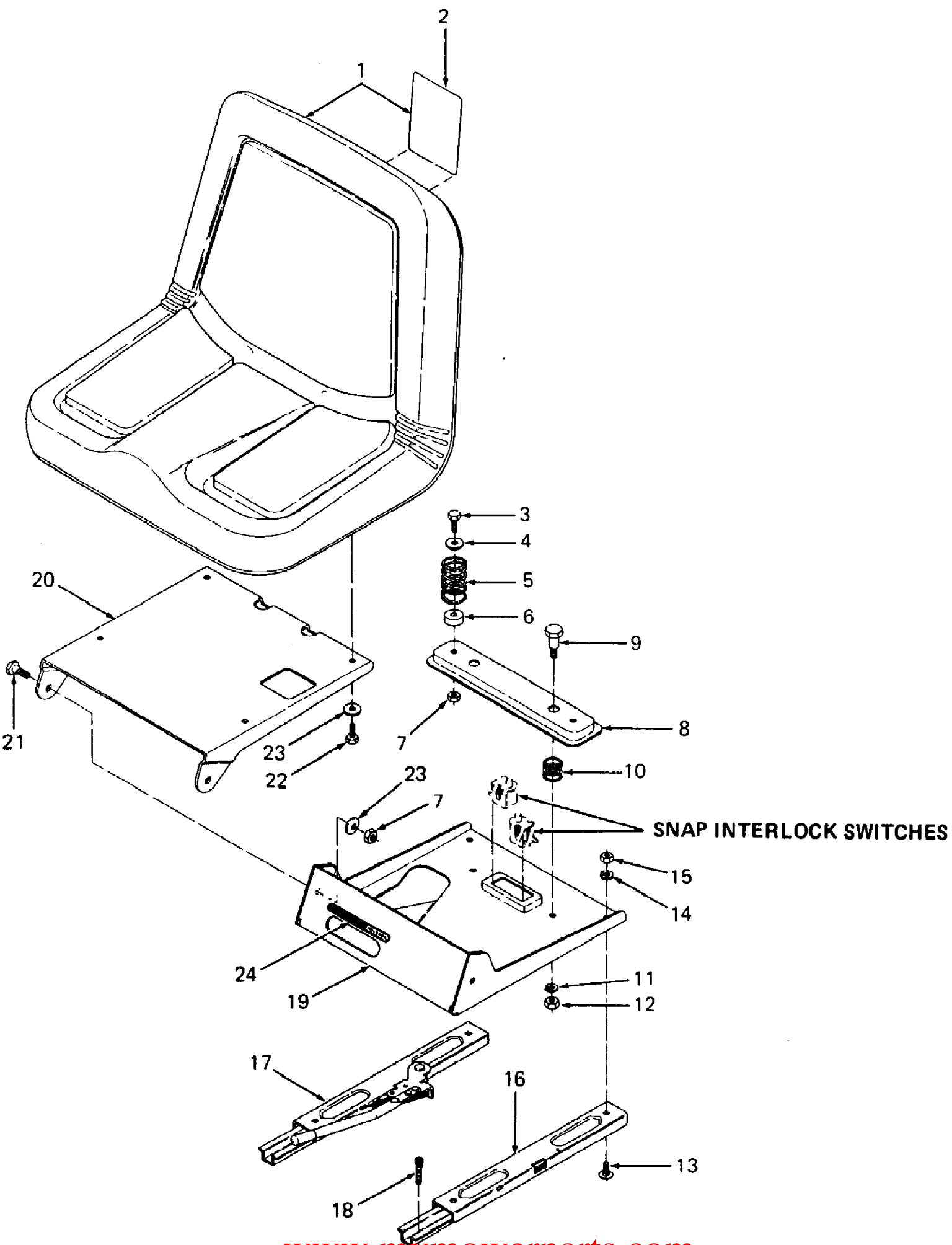
1882 S/N 800,000 - 821,059
Rear Wheel

Page 88 of 102



1882 S/N 800,000 - 821,059
Rear Wheel

Ref #	Part Number	Qty	S/P/F	Description
	734-3016	2		Tire, Soft-Trac, 26 x 12 x 12
1	734-3017	2	S	Rim, Rear Wheel
2	734-3068	2	S	Valve, Tubeless Air
3	777-8680	2		Label, Inflation
4	712-3050	10	/P	Nut, Lug, 7/16-14

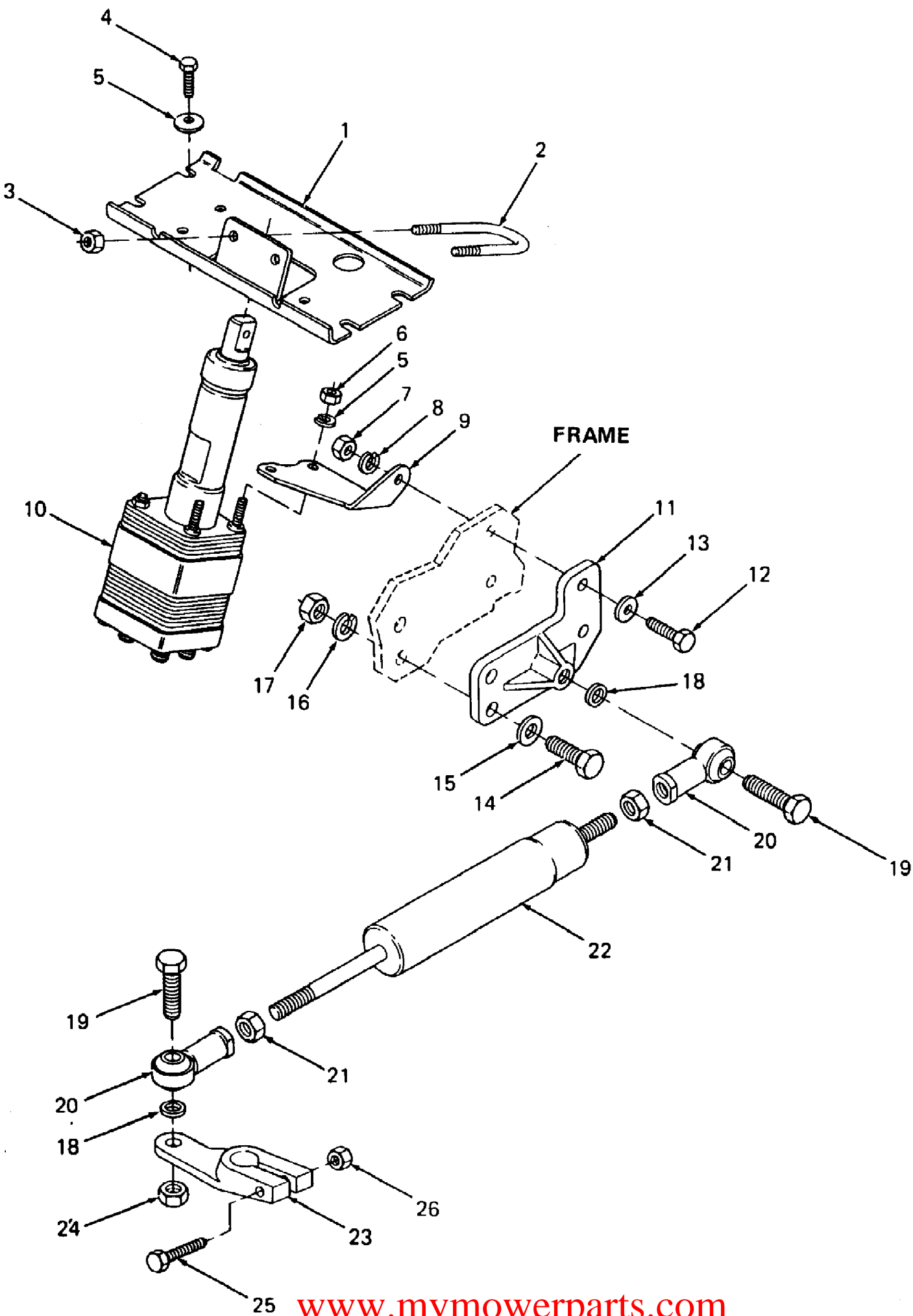


1882 S/N 800,000 - 821,059
Seat & Track Assembly

Page 91 of 102

Ref #	Part Number	Qty	S/P/F	Description
1	759-3348	1	S	Seat w/Graphic (Includes Ref No. 2)
2	779-3348	1		Graphic, Caution
3	710-3038	2	/P	Screw, Hex Cap, 5/16-18 X .88 Lg GR5
4	736-0159	2	S	Washer, Flat, .344 X .875 X .06 Thk
5	732-3069	2	S	Spring, Comp, 1.28 OD X 2.18 Lg
6	722-0160	2		Bushing, .930 OD X .50 Lg
7	712-3009	2	S	Nut, Hex Center Lock, 5/16-18 GR5
8	703-1813	1	S	Channel, Seat Spring
9	738-0145	2	S	Screw, Shoulder, .500 Dia X .840
10	732-3060	2		Spring, Comp, 1.00 OD X .86 Lg
11	736-0169	2	S	Washer, Lock, 3/8
12	712-3017	2	S	Nut, Hex, 3/8-16 GR5
13	710-3215	4		Bolt, Sht Nk Carriage, 5/16-18 X .62 Lg
14	736-0119	4	S	Washer, Lock, 5/16
15	712-3010	4	S	Nut, Hex, 5/16-18 GR5
16	703-1844	1		Slide, Seat - LH
17	703-1843	1		Adjuster, Manual Seat - RH
18	710-3216	1		Screw, Socket Hd Cap, 5/16-18 X 1.00 Lg
19	703-1811	1	S	Bracket, Seat Pivot Support
20	703-1812	1		Bracket, Seat Pivot
21	738-0140	2	S	Screw, Shoulder, .437 Dia X .180
22	710-3008	4	/P	Screw, Hex Cap, 5/16-18 X .75 Lg GR5
23	736-0242	6	/P	Washer, Bell, .345 X .88 X .060 Thk
24	779-3524	1		Label, Seat Adjustment

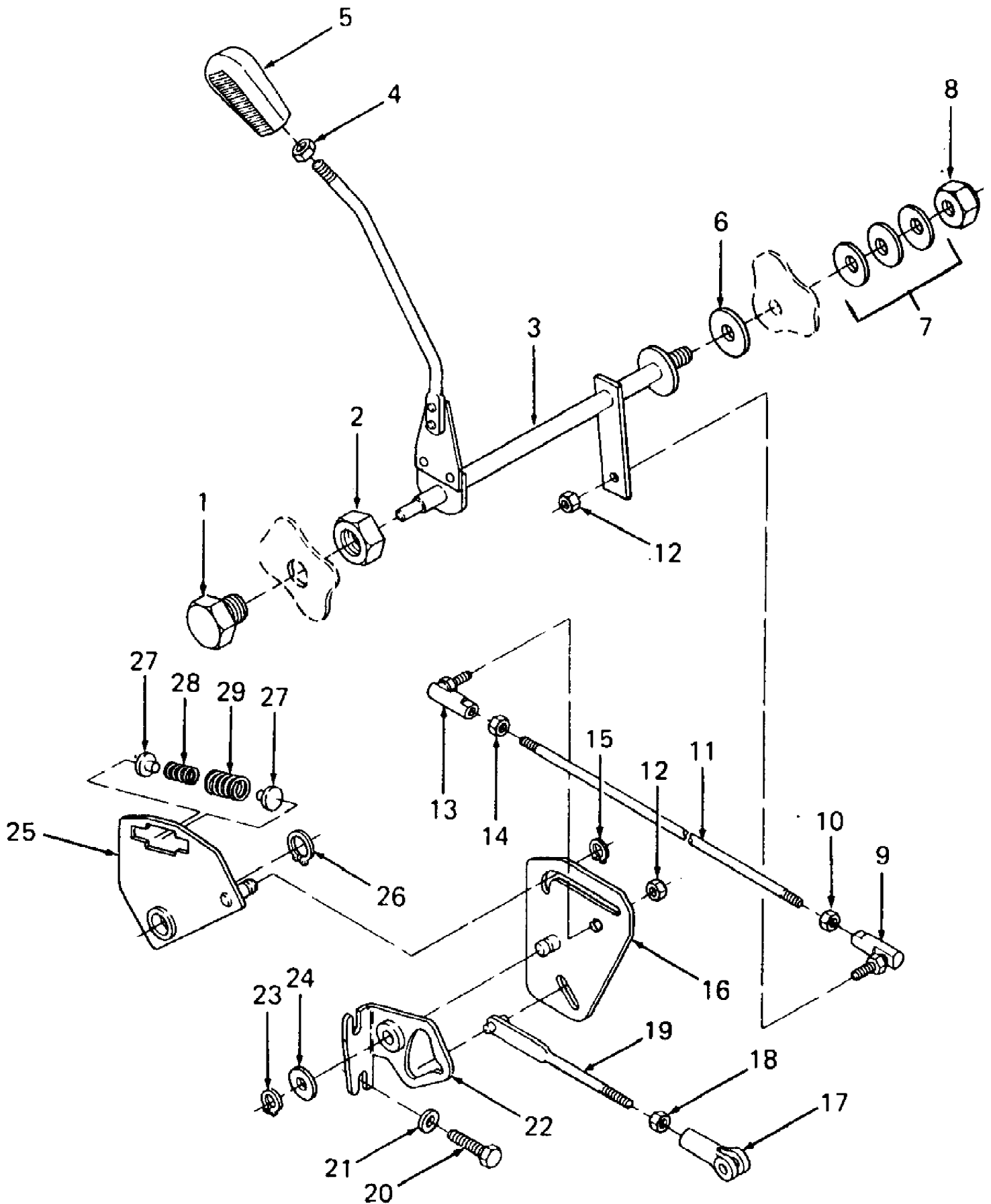
1882 S/N 800,000 - 821,059
Steering Mounting



1882 S/N 800,000 - 821,059
Steering Mounting

Page 93 of 102

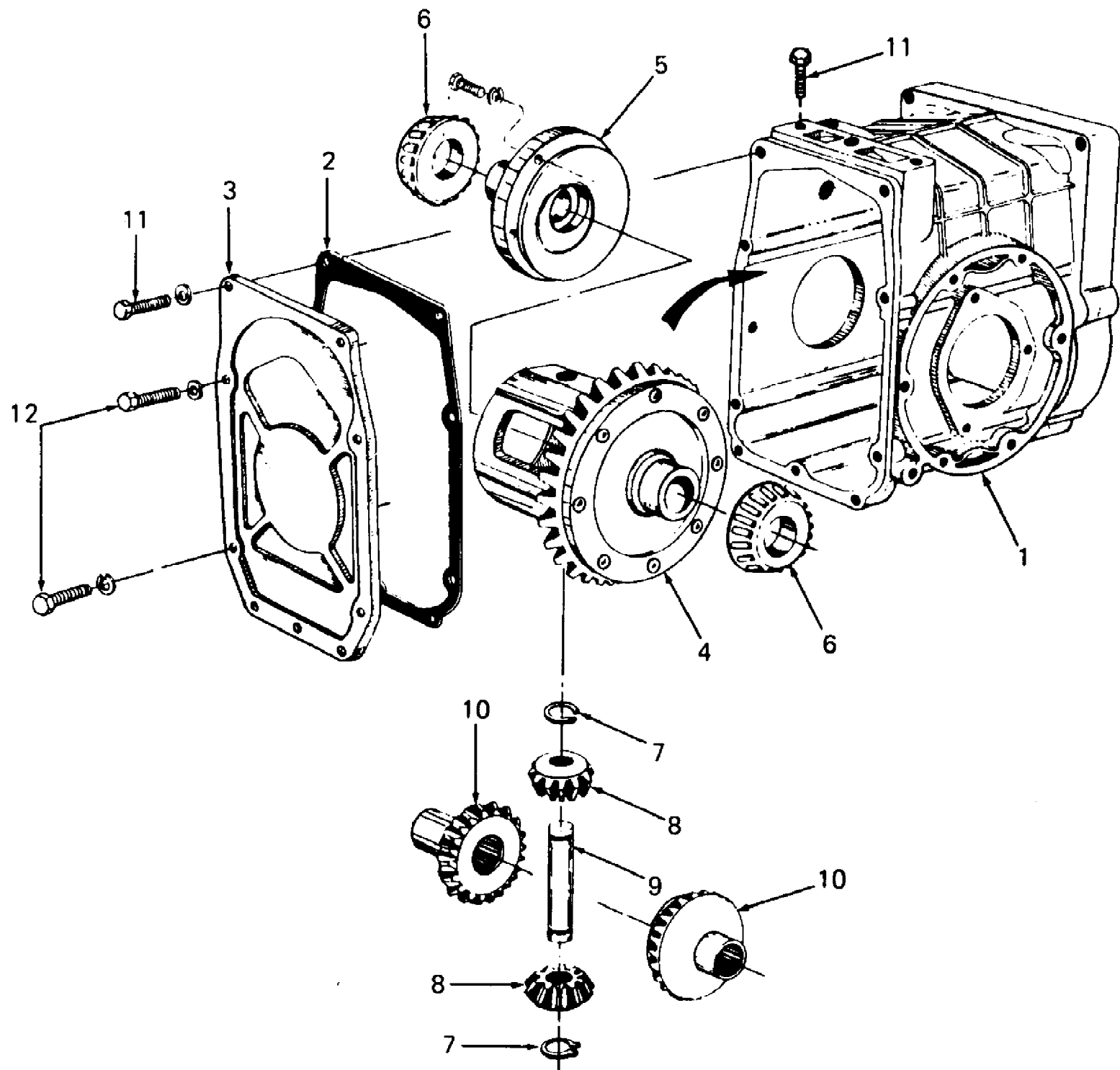
Ref #	Part Number	Qty	S/P/F	Description
1	703-1817	1		Plate, Steering Support
2	747-3016	1		Clamp
3	712-0237	2	S	Nut, Hex Center Lock, 5/16-24
4	710-3004	4	S	Screw, Hex Cutting, 5/16-18 X .75 Lg
5	736-0242	6	/P	Washer, Bell, .345 X .88 X .060 Thk
6	712-3057	2	S	Nut, Hex, 5/16-24 GR5
7	712-3000	2	S	Nut, Hex Center Lock, 3/8-16 GR5
8	736-0169	2	S	Washer, Lock, 3/8
9	703-1857	1		Bracket, Power Steering Box Mtg
10	703-1858	1		Power Steering Box w/Flat (For component parts see breakdown under power steering box)
11	719-3067	1	S	Bracket, Cylinder Mounting
12	710-3005	2	/P	Screw, Hex Cap, 3/8-16 X 1.25 Lg GR5
13	736-0267	2	S	Washer, Flat, .385 X .87 X .06 Thk HDN
14	710-3032	2	/P	Screw, Hex Cap, 1/2-13 X 1.25 Lg GR5
15	736-3084	2	/P	Washer, Flat, .51 X 1.12 X .06 Thk HDN
16	736-0921	2	S	Washer, Lock, 1/2
17	712-3022	2	/P	Nut, Hex Center Lock, 1/2-13 GR5
18	736-3003	2	/P	Washer, Flat, .531 X .688 X .054 Thk
19	710-3177	2	/P	Screw, Hex Cap, 1/2-20 X 1.5 Lg GR5
20	723-3053	2	S	Alignaball End, 1/2-20
21	712-3029	2	/P	Nut, Hex Jam, 1/2-20 GR5
22	717-3041A	1	S	Cylinder, Power Steering
23	719-3065	1		Arm, Steering
24	712-3066	1	S	Nut, Hex, 1/2-20 GR5
25	710-3083	1	/P	Screw, Hex Cap, 5/16-18 X 1.38 Lg GR5
26	712-3009	1	S	Nut, Hex Center Lock, 5/16-18 GR5



1882 S/N 800,000 - 821,059
Transmission Controls

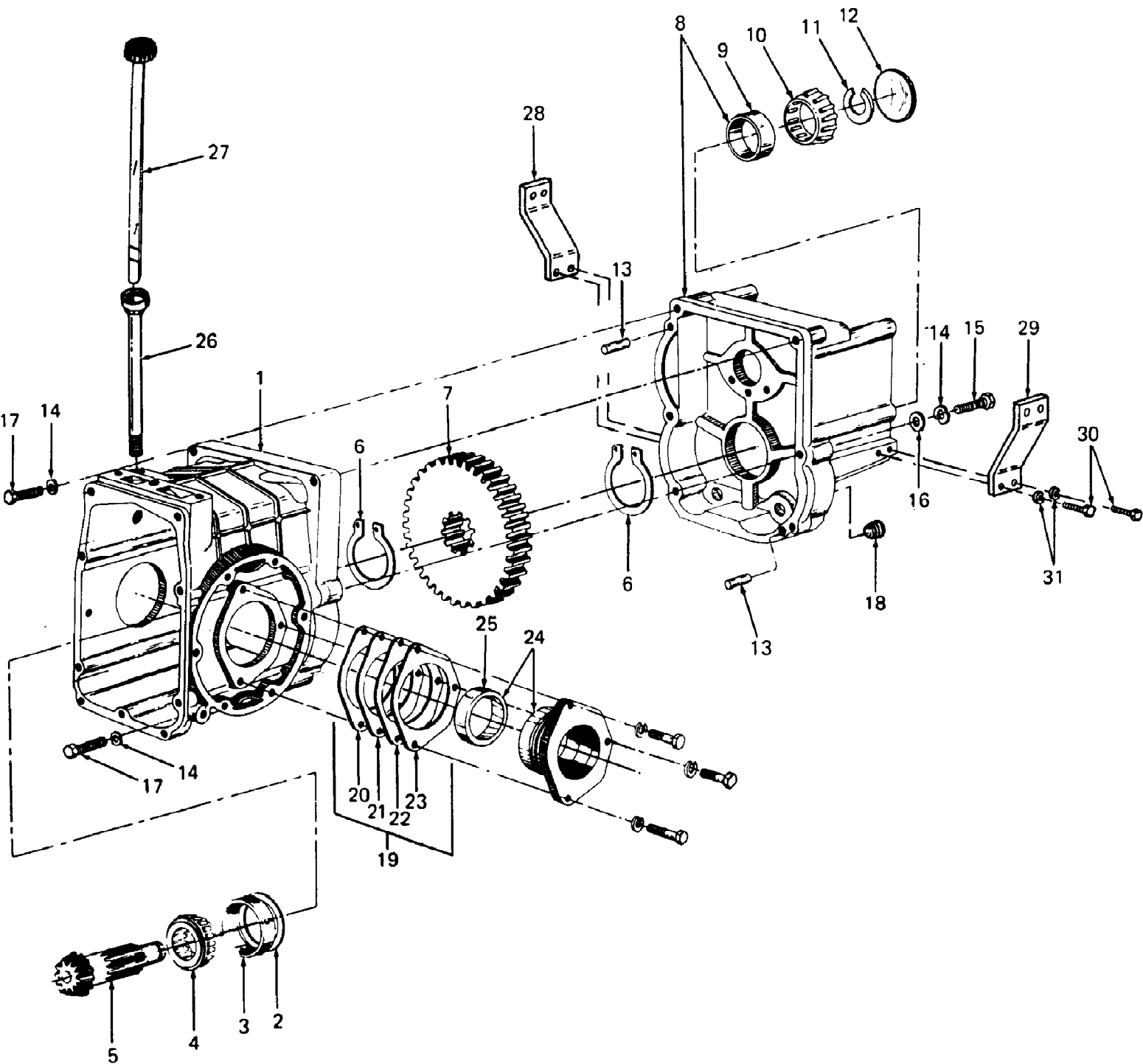
Page 95 of 102

Ref #	Part Number	Qty	S/P/F	Description
1	710-3033	1		Screw, Rockshaft Bearing, 3/4-16 X .75 Lg
2	712-3026	1	S	Nut, Hex Jam, 3/4-16 GR5
3	703-1838	1		Shaft Assy, Cross
4	712-3008	1	S	Nut, Hex Jam, 3/8-16 GR5
5	731-3108	1		Knob, Speed Control
6	723-3013	1	S	Disc, Friction
7	736-3022	3	S	Washer, Bell
8	712-3053	1	S	Nut, Hex Top Lock, 1/2-20
9	723-3011	1	S	Ball Joint, 5/16-24
10	712-3025	1		Nut, Hex Jam, 5/16-24
11	747-3026	1	/P	Rod, Connecting
12	712-0305	2	S	Nut, Hex Patch Lock, 5/16-24
13	723-3012	1	S	Ball Joint, 5/16-24 LH Trd
14	712-3045	1	S	Nut, Hex Jam, 5/16-24 LH Trd
15	716-3000	1	S	Ring, Retaining, .375
16	703-0198A	1	/P	Cam, Control
17	719-3013	1	/P	Clevis Adjustment
	711-3037	1	S	Pin, Clevis
	736-0140	1	S	Washer, Flat, .385 X .62 X .063 Thk
	714-0507	1	S	Pin, Cotter, 3/32 Dia
18	712-3001	1	S	Nut, Hex Jam, 3/8-24 GR5
19	703-0232	1	/P	Rod, Control
20	710-0520	2	/P	Screw, Hex Cap, 3/8-16 X 1.5 Lg GR5
21	736-0267	2	S	Washer, Flat, .385 X .87 X .06 Thk
22	703-0196	1		Bracket, Cam Pivot
23	716-0865	1	/P	Ring, Snap, .500
24	736-0272	1	S	Washer, Flat, .510 X 1.0 X .060 Thk
25	703-0194	1	S	Plate Assy, Damper Spring
26	716-0115	1	S	Ring, Snap, .625
27	711-3033	2	S	Pin, Spring Guide
28	732-3012	1	S	Spring, Compression
29	732-3013	1	S	Spring, Compression



1882 S/N 800,000 - 821,059
Transmission-Differential

Ref #	Part Number	Qty	S/P/F	Description
1	717-3220	1	S	Housing Assy, Rear Transaxle
2	721-3015	1	S	Gasket, Rear Cover
3	703-0905	1	/P	Plate, Rear Cover
4	717-3217	1	S	Gear Assy, Ring w/Case
5	717-3137	1		Plate, Differential Flange
	736-0119	4	S	Washer, Lock, 5/16
	710-0573	4		Bolt, Hex Patch, 5/16-18 X 1.25 Lg GR5
6	741-0369	2	/P	Cone, Roller Brg
7	716-0133	2		Ring, Retaining, 11/16
8	717-3113	2	/P	Gear, Pinion - 10T
9	717-3133	1		Shaft, Cross
10	717-3112	2		Gear, Side - 16T
11	710-3117	4		Bolt, Hex Patch, 3/8-16 X .62 Lg GR5
	736-0213	2	/P	Washer, Bell, 3/8 Dia
12	710-3119	7	/P	Bolt, Hex Patch, 3/8-16 X .75 Lg GR5
	736-0213	7	/P	Washer, Bell, 3/8 Dia



1882 S/N 800,000 - 821,059
Transmission-Rear & Adapter Housings

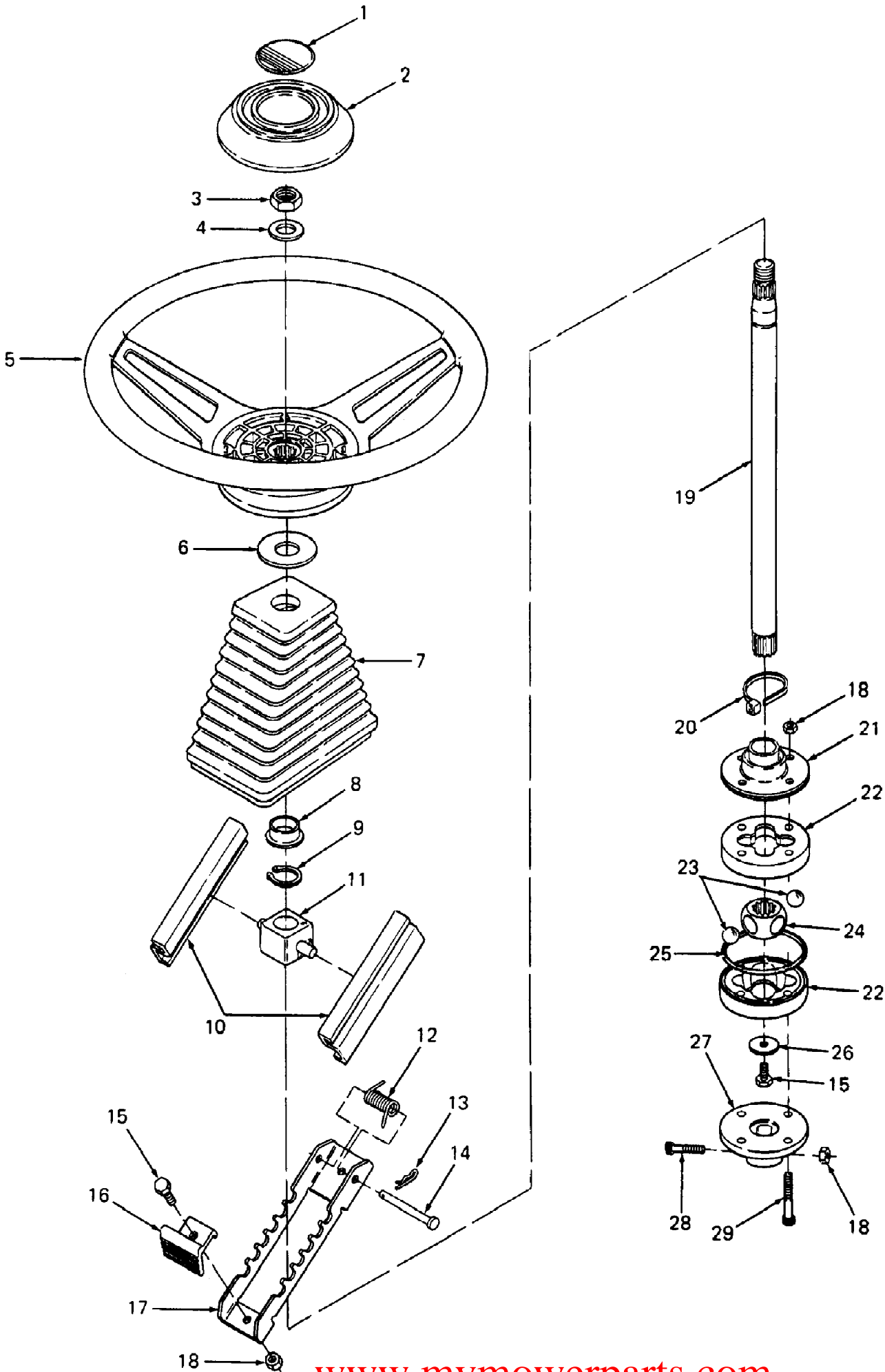
Page 99 of 102

Ref #	Part Number	Qty	S/P/F	Description
1	717-3220	1	S	Housing Assy, Rear Transaxle (Includes Ref No. 2 & 3)
	723-3034	1		Gasket, Eliminator, 24 cc Tube
	723-3036	1		Primer, Gasket, 6 oz Can (For use with 723-3034)
	723-3035	1		Remover, Gasket, 12 oz Can
2	717-3123	2/AR		Shim, Rear Bearing Cup, .004 Thk
	717-3124	2/AR		Shim, Rear Bearing Cup, .014 Thk
	717-3125	2/AR	/P	Shim, Rear Bearing Cup, .007 Thk
3	741-0370	1		Cup, Roller Bearing
4	741-0371	1		Cone, Roller Bearing
5	717-3070	1	/P	Shaft, Bevel Pinion NOTE: Proper selection of Ref No. 11 is required when replacing 717-3070. R
6	716-0138	2	/P	Ring, Retaining, 1.312 Dia
7	717-3126	1		Gear, Reduction - 68T
8	717-3202	1		Housing Assy, Adapter w/Cup (Includes Ref No. 9)
9	741-0372	1	S	Cup, Roller Bearing
10	741-0373	1	S	Cone, Roller Bearing
11	717-3127	1	/P	Retainer, Front Bearing, .125 Thk
	717-3128	1	S	Retainer, Front Bearing, .119 Thk
	717-3129	1	/P	Retainer, Front Bearing, .113 Thk
	717-3130	1	/P	Retainer, Front Bearing, .107 Thk
	717-3131	1	S	Retainer, Front Bearing, .101 Thk
	717-3132	1	/P	Retainer, Front Bearing, .131 Thk
12	726-0216	1	/P	Plug, Expansion, 2.12 OD
13	715-0146	2		Pin, Dowel, 3/8 Dia X 5/8 Lg
14	736-0141	6	S	Washer, Spring, .445 X .75 X .017 Thk
15	710-0850	2		Screw, Hex Cap, 7/16-14 X 2.5 Lg GR5
16	736-0226	2	S	Washer, Flat, .46 X .875 X .060 Thk
17	710-0844	4		Screw, Hex Cap, 7/16-14 X 1.75 Lg GR5
18	737-0177	1	/P	Plug, Drain NOTE: Use Teflon Sealing Tape
19	759-3430	1		Shim Package [Includes Ref No. 20 (Qty 3), 21 (Qty 4), 22 (Qty 2) & 23 (Qty 2)]
20	717-3097	1	S	Shim, Bearing Retainer, .004 Thk
21	717-3098	1	S	Shim, Bearing Retainer, .007 Thk
22	717-3099	1	/P	Shim, Bearing Retainer, .014 Thk
23	717-3100	1	/P	Shim, Bearing Retainer, .028 Thk
24	717-3203	2	S	Retainer Assy, Bearing w/Cup (Includes Ref No. 25)
	710-0514	6	/P	Screw, Hex Cap, 3/8-16 X 1.0 Lg GR5
	736-0169	6	S	Washer, Lock, 3/8
25	741-0400	2		Cup, Roller Bearing
26	727-3047	1		Tube, Dipstick NOTE: Use Teflon Sealing Tape
27	703-1932	1		Blade Assy, Dipstick
	721-0194	1		O-Ring
28	703-0833	1		Bracket, Trans Mtg - LH
29	703-0832	1		Bracket, Trans Mtg - RH

1882 S/N 800,000 - 821,059
Transmission-Rear & Adapter Housings

Ref #	Part Number	Qty	S/P/F	Description
30	710-3118	8	/P	Bolt, Hex Patch, 3/8-16 X 1.0 Lg GR5
31	736-0169	8	S	Washer, Lock, 3/8

1882 S/N 800,000 - 821,059
Upper Steering



1882 S/N 800,000 - 821,059
Upper Steering

Ref #	Part Number	Qty	S/P/F	Description
1	779-3526	1	S	Label, Steering Cap
2	731-3104	1	S	Cap, Steering Wheel
3	712-3056	1	/P	Nut, Hex Jam, 5/8-18
4	736-0187	1	/P	Washer, Flat, .640 X 1.24 X .06 Thk HDN
5	731-3103	1		Wheel, Steering
6	736-3094	1	S	Washer, Flat, .755 X 2.0 X .030 Thk
7	735-3028	1		Boot, Steering Shaft
8	741-0338	1	/P	Bearing, Flange
9	716-0101	1	S	Ring, Snap
10	731-3093	2		Guide
11	731-3094	1		Bushing, Shaft Guide
12	732-3064	1	S	Spring-Tilt, Torsion
13	714-0104	1	S	Pin, Internal Cotter
14	711-3295	1	S	Pin, Clevis, .25 Dia X 2.38 Lg
15	710-3013	2	/P	Screw, Hex Cap, 1/4-20 X .50 Lg GR5
16	731-3107	1	S	Button, Tilt Control
17	703-1805	1		Plate, Tilt Control
18	712-0107	6	S	Nut, Hex Patch Lock, 1/4-20
19	738-3081	1		Shaft, Upper Steering, 18.25 Lg
20	725-0157	1	/P	Strap, Tie
21	735-3029	1		Boot, Coupling
		1 oz		CV-Joint Grease (Purchase locally)
22	748-3030A	2	/P	Coupling, Drive w/O-Ring Groove
23	723-3022	2	/P	Ball, Steel, 5/8 Dia Chrome
24	748-3029	1		Hub, Drive
25	721-3025	1		O-Ring, 2.489 X .070
26	736-3092	1	/P	Washer, Flat, .265 X 1.0 X .030 Thk HDN
27	748-3033	1		Adapter, Steering
28	710-3213	1		Screw, Socket Hd Cap, 1/4-20 X 1.12 Lg
29	710-3211	4		Screw, Socket Hd Cap, 1/4-20 X 1.75 Lg