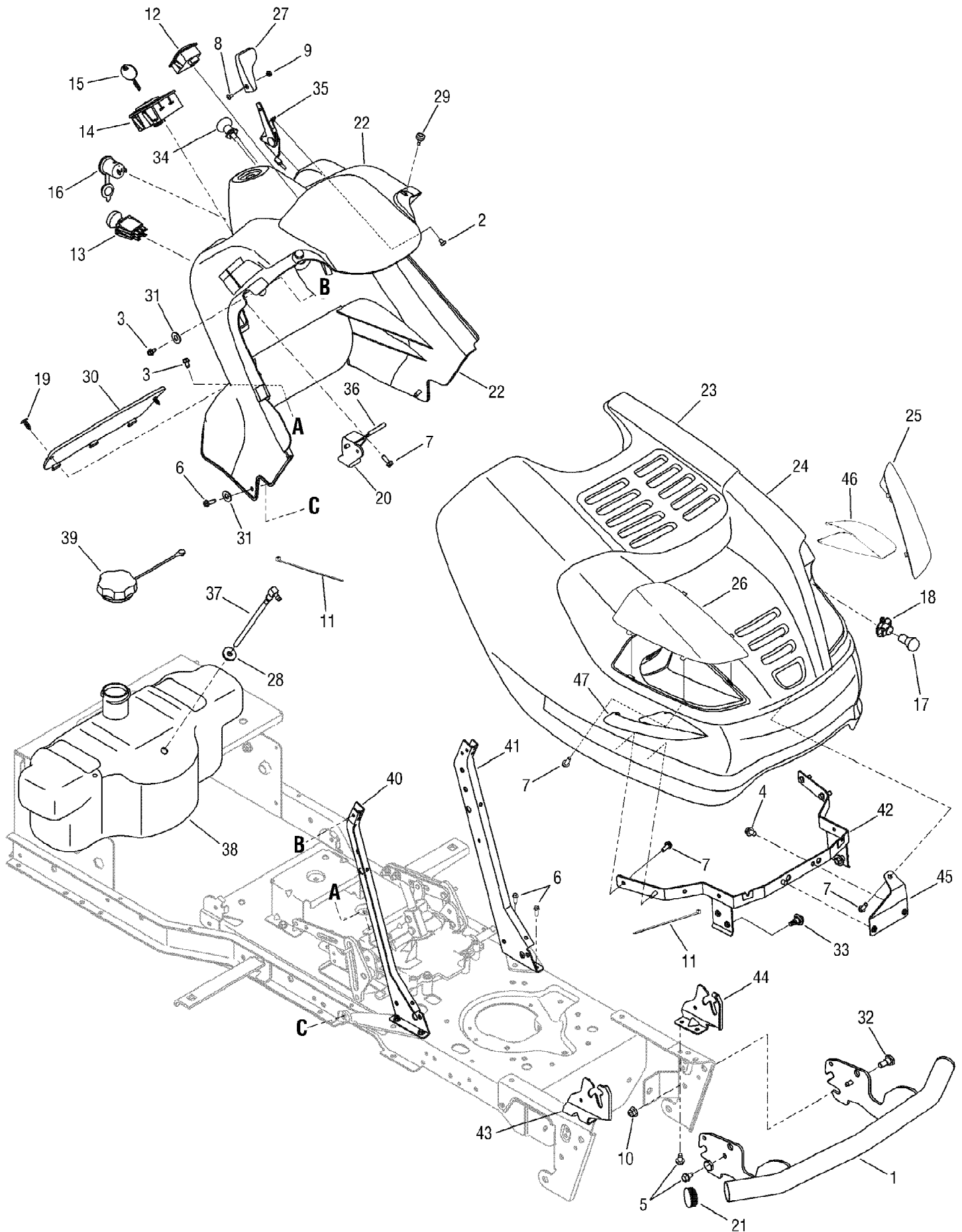
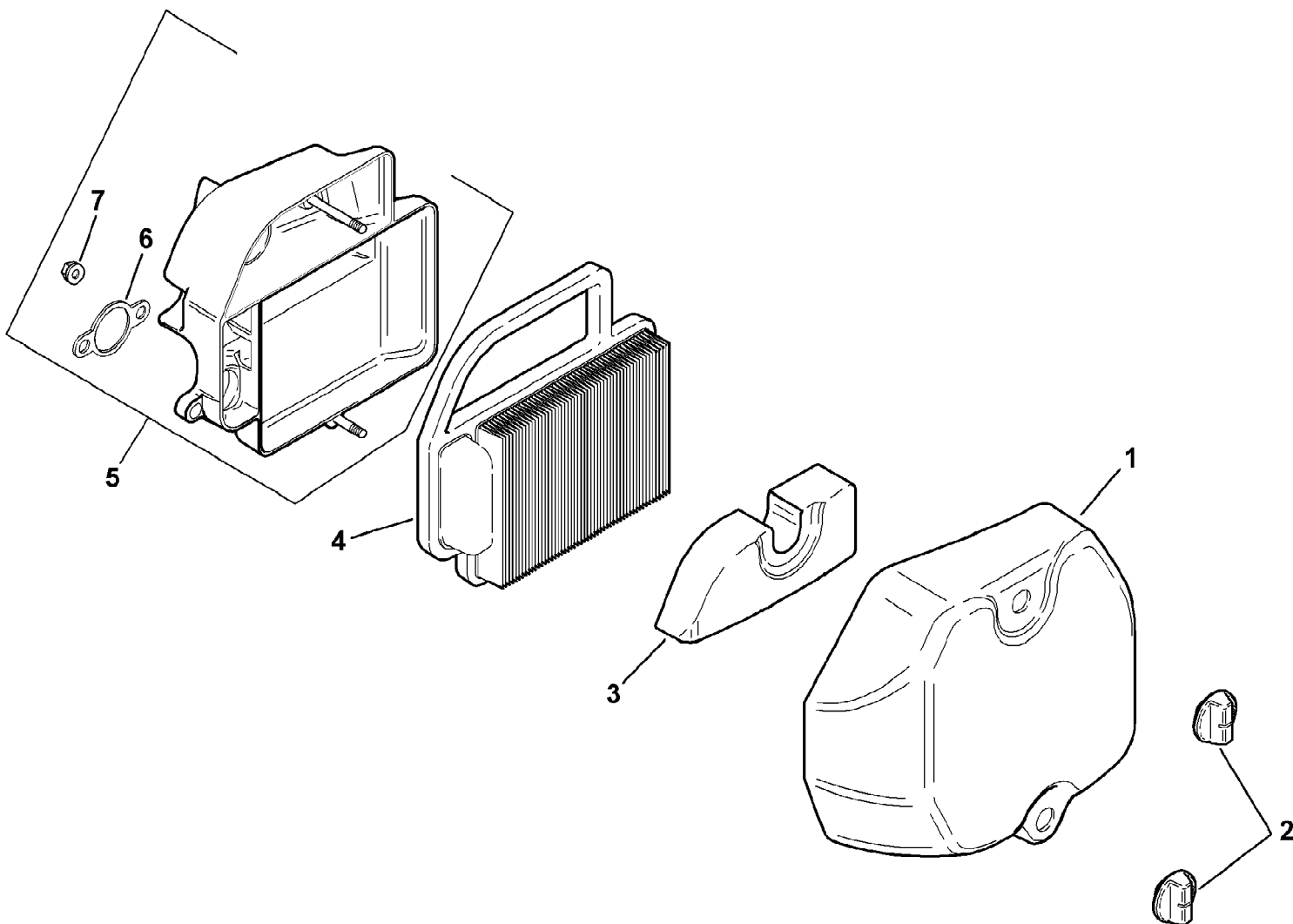


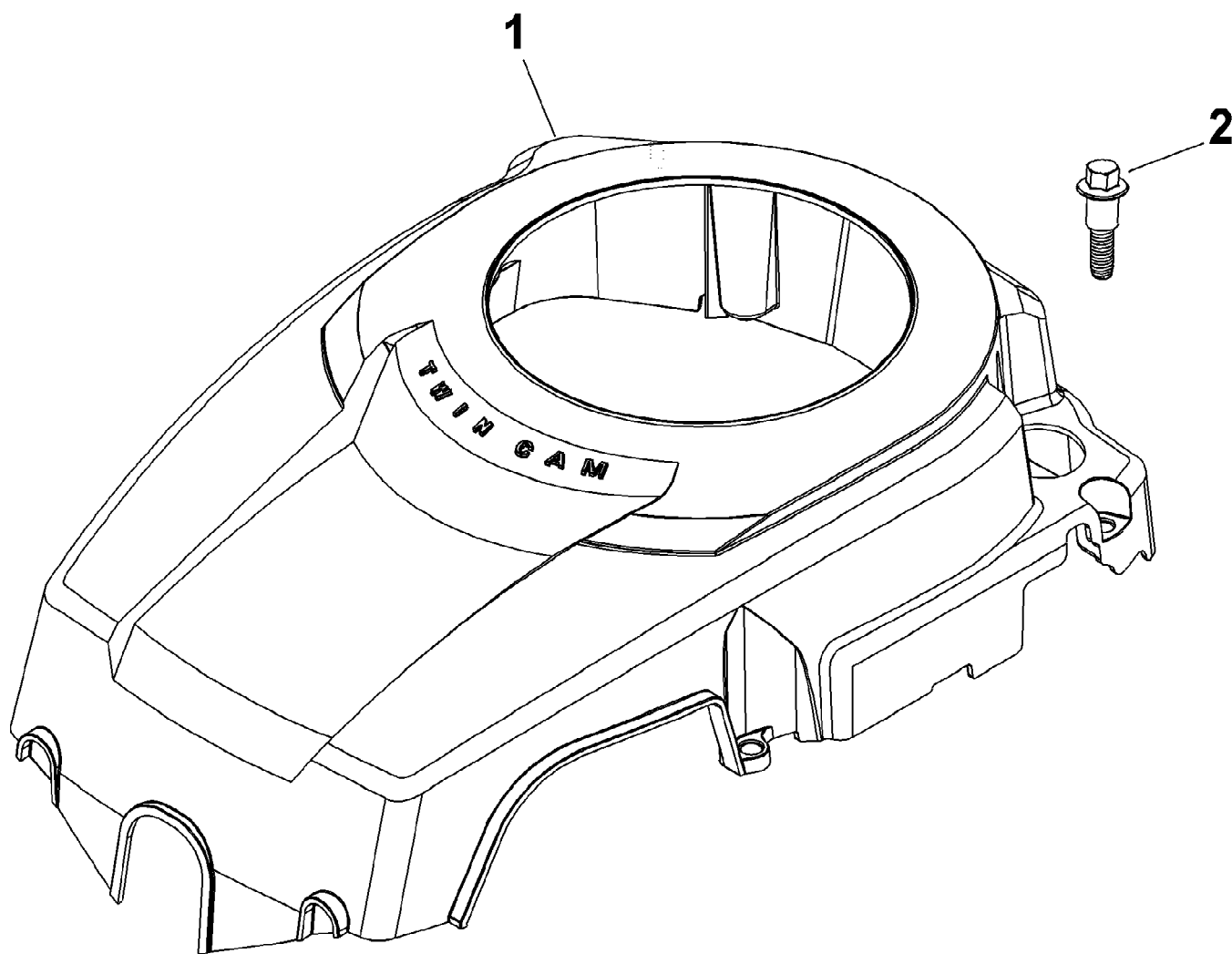
Ref #	Part Number	Qty	S/P/F	Description
1	683-04305B	1	S	Frame Assembly
2	710-04379A	1		Screw, Hex Cap Lock, 7/16-20 x 3.5 Gr5
3	710-04484	1		Screw, Hex Wash. Hd. Tapp, 5/16-18 x .75
4	710-04666	1		Screw, Hex Flange Hd. , 1/4-20 x .75 Gr5
5	710-0599	1	/P	Screw, Hex Wash. Hd. Tapp, 1/4-20 x .5
6	710-0642	1	/P	Screw, Hex Wash. Hd. Tapp, 1/4-20 x .75
7	710-3005	1	/P	Screw, Hex Cap, 3/8-16 x 1.25 Gr5
8	712-0271	1	/P	Nut, Hex Sems, 1/4-20
9	712-04064	1	/P	Nut, Hex Flange Insert Lock, 1/4-20 GrF
10	712-04065	1	/P	Nut, Hex Flange Insert Lock, 3/8-16 GrF
11	712-3087	1	/P	Nut, Wing, 1/4-20
12	717-04174A	1	S	Clutch, Electric PTO
13	725-0157	1	/P	Cable Tie
14	725-04439	1		Solenoid, Start
15	925-1707D	1	/P	Battery - Dry
16	731-05659	1		Bushing, Steering Shaft
17	736-0171	1	S	Washer, Lock, 7/16
18	738-04058	1		Screw, Shoulder, .38 x 1.0 x .7
19	738-1132	1		Screw, Shoulder, .25 x .15:1/4-20
20	747-04215	1	S	Strap, Battery
21	750-04763	1		Spacer, 1.37 x 1.00 x .25
22	756-0978B	1	/P	Pulley, Engine
23	783-04419B	1	S	Bracket, Clutch
24	783-04467	1		Bracket, Deck Up-Stop
25	783-04806	1		Bracket, Pivot Bar
26	783-04844	1		Bracket, Pivot Support RH
27	783-04845	1		Bracket, Pivot Support LH
28	783-04868	1	S	Bracket, Steering Support
29	783-04910A	1	S	Bracket, Support Fender
30	783-05469	1		Bracket, Battery Support
31	783-05617	1	S	Bracket, Running Board Support
32	783-05760	1	S	Bracket, Pivot Bar Support
33	783-05850	1	S	Plate, Seat Frame
34	710-0726	1	/P	Screw, Hex Wash. Hd. Tapp, 5/16-12 x .75
	725-04375A	1	S	Harness, Main Wire Not shown



Ref #	Part Number	Qty	S/P/F	Description
1	683-04219A	1	S	Bumper Assembly
2	710-0192	1	/P	Screw, Truss Hd. Mach., 10-24 x .375
3	710-0599	1	/P	Screw, Hex Wash Hd. Tapp, 1/4-20 x .5
4	710-0604A	1	/P	Screw, Hex Wash Hd. Tapp, 5/16-18 x .625
5	710-0607	1	/P	Screw, Hex Wash Hd. Tapp, 5/16-18 x .5
6	710-0642	1	/P	Screw, Hex Wash Hd. Tapp, 1/4-20 x .75
7	710-0895	1		Screw, Hex Wash Hd. Tapp, 1/4-15 x .75
8	710-3217	1	/P	Screw, Truss Hd. Mach., #8-32 x .375
9	712-0142	1	/P	Nut, Hex, 8-32
10	712-04065	1	/P	Nut, Hex Flange Insert Lock, 3/8-16 GrF
11	725-0157	1	/P	Tie, Cable
12	725-04022B	1	S	Meter, Indicator/Service Monitor
13	725-04258	1	/P	Switch, PTO
14	725-04227B	1	S	Switch, Ignition/Module
15	725-2054A	1	S	Key, Ignition Switch
16	725-2003	1		Receptacle, 12V Power
16	720-3025	1		Plug, Button i1046 2009 & After
17	725-0963	1	S	Bulb, 12V Light
18	725-1649	1	S	Receptacle, Light
19	726-3046	1	/P	Clip, Ratchet
20	731-04213	1		Lever, Dash Brake
21	731-05368	1		Cap, Bumper
22	731-05406	1		Panel, Dash
23	731-05434	1		Hood
24	731-05435	1		Plenum, Hood
25	731-05525	1		Lense, Head Light LH
26	731-05526	1		Lense, Head Light RH
27	731-3161A	1	S	Knob, Throttle Control
28	735-0149	1	S	Bushing, Fuel Tank
29	735-0271A	1	/P	Bumper
30	735-04076	1		Net, Storage
31	736-0463	1	S	Washer, Flat, .25 x .63 x .0515
32	738-0143	1	/P	Bolt, Shoulder, .496 x .336:3/8-16
33	738-04091A	1	/P	Screw, Shoulder, .43 x .29:TT5/16-18
34	746-04120	1		Cable, Choke Control Twin Cylinder
34	746-04121	1		Cable, Choke Control Single Cylinder
35	746-1100	1	S	Cable, Throttle Control Twin Cylinder
35	746-1087	1	S	Cable, Throttle Control Single Cylinder
36	747-1155	1		Rod, Brake Lock Pivot
37	751-10442	1		Fitting, Fuel Pick Up
38	751-10692	1		Tank, Fuel
39	751-10703	1	S	Cap, Fuel Tank
40	783-04285F	1	S	Support, Dash, R.H.
41	783-04323F	1	S	Support, Dash, L.H.
42	783-04606B	1		Bracket, Hood Pivot
43	783-04840	1		Bracket, Hood Pivot RH
44	783-04841	1		Bracket, Hood Pivot LH
45	783-05162	1	S	Bracket, Hood Support
46	777X42426	1		Label, Reflector
47	777X42427	1		Label, Reflector

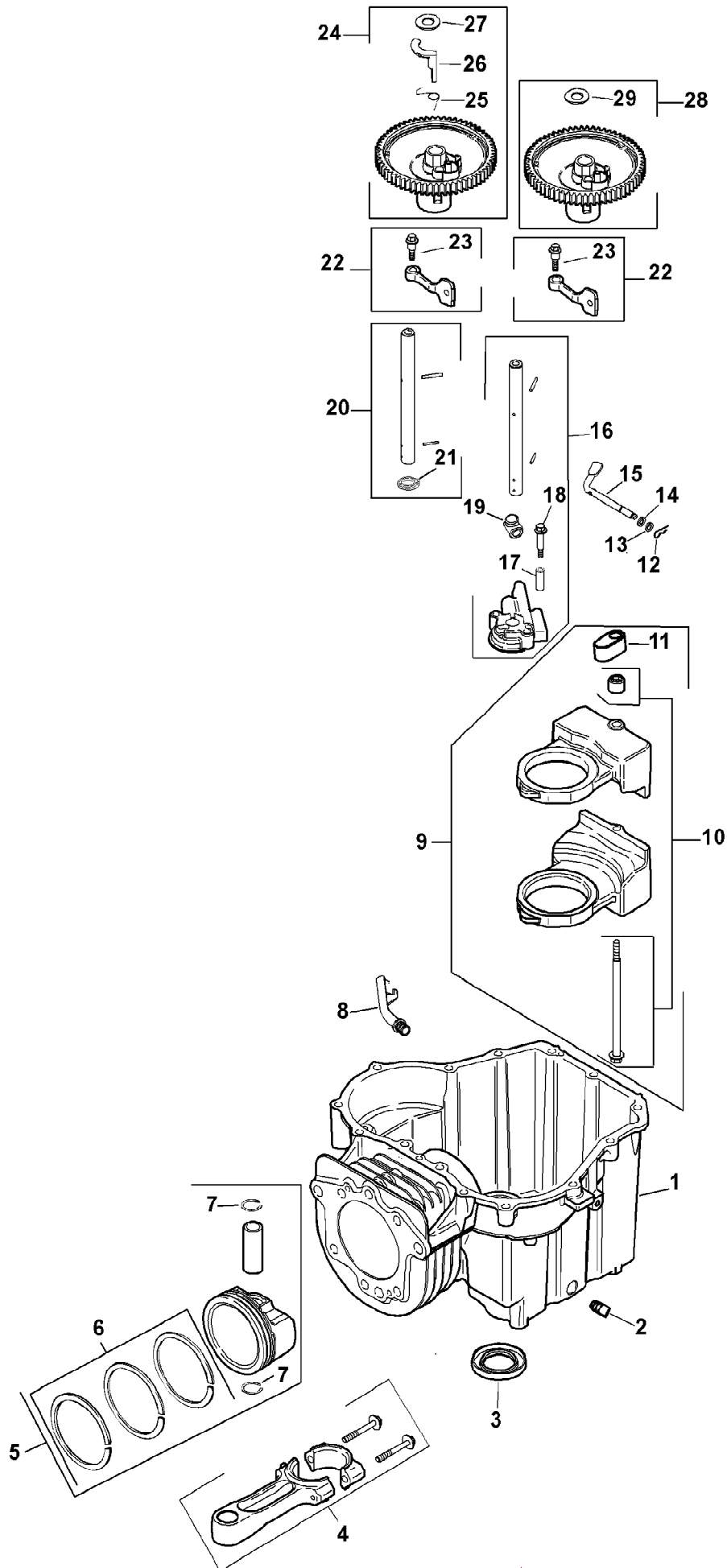


Ref #	Part Number	Qty	S/P/F	Description
1	KH-20-096-04-S	1		Air Cleaner Cover
2	KH-25-341-05-S	1		Cover Knob
3	KH-20-083-03-S	1	S	Pre-Cleaner Element
4	KH-20-083-02-S	1	S	Air Cleaner Element
5	KH-20-094-04-S	1	/P	Air Cleaner Base Kit (Inc. 6 & 7)
6	KH-12-041-02	1	/P	Air Cleaner Base Gasket
7	KH-M-641060-S	1	/P	Hex Flange Nut, M6 x 1.0

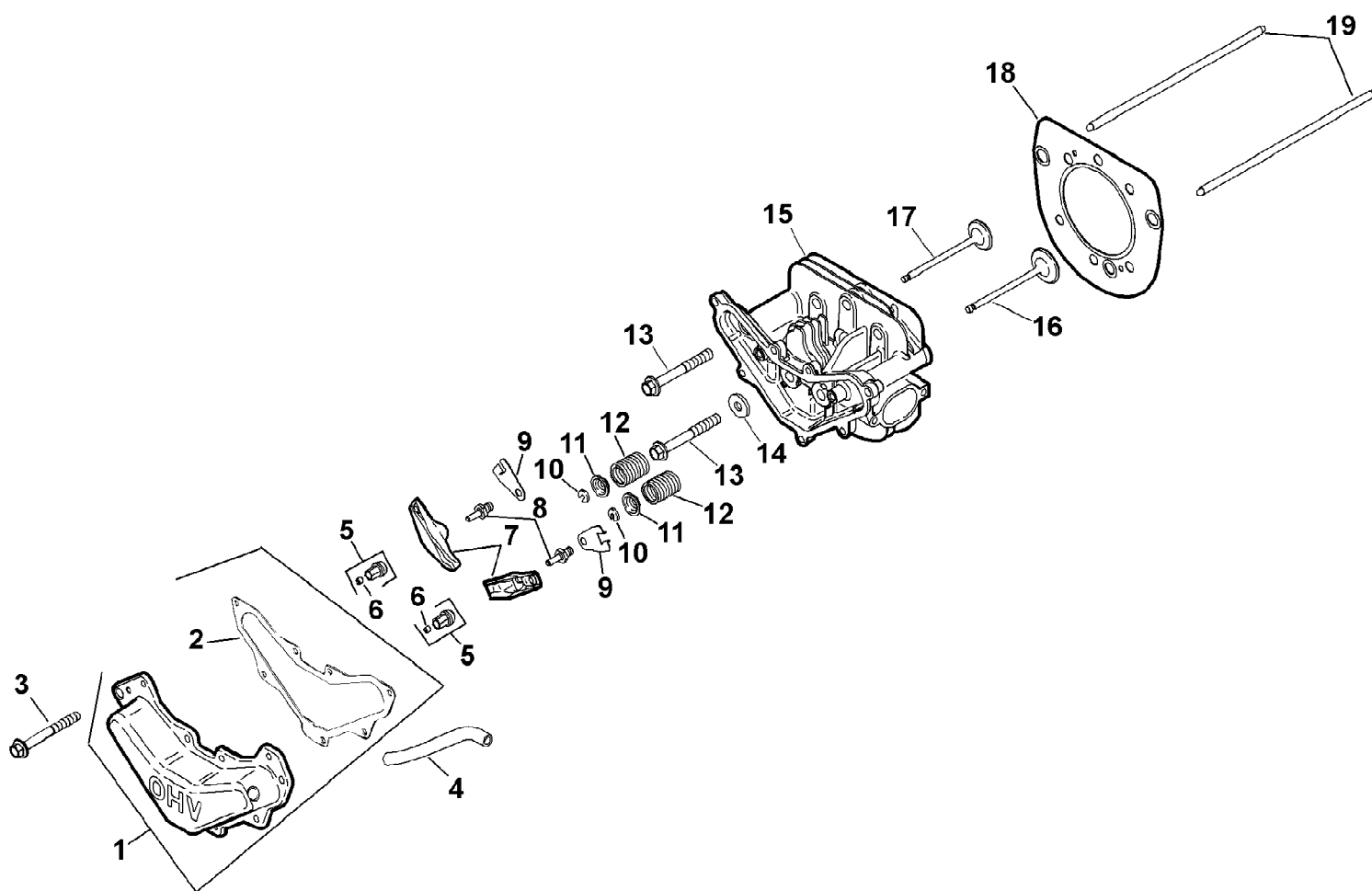


i1046 Tractor 2008 & After
Kohler SV600-0009 Blower Housing & Baffles

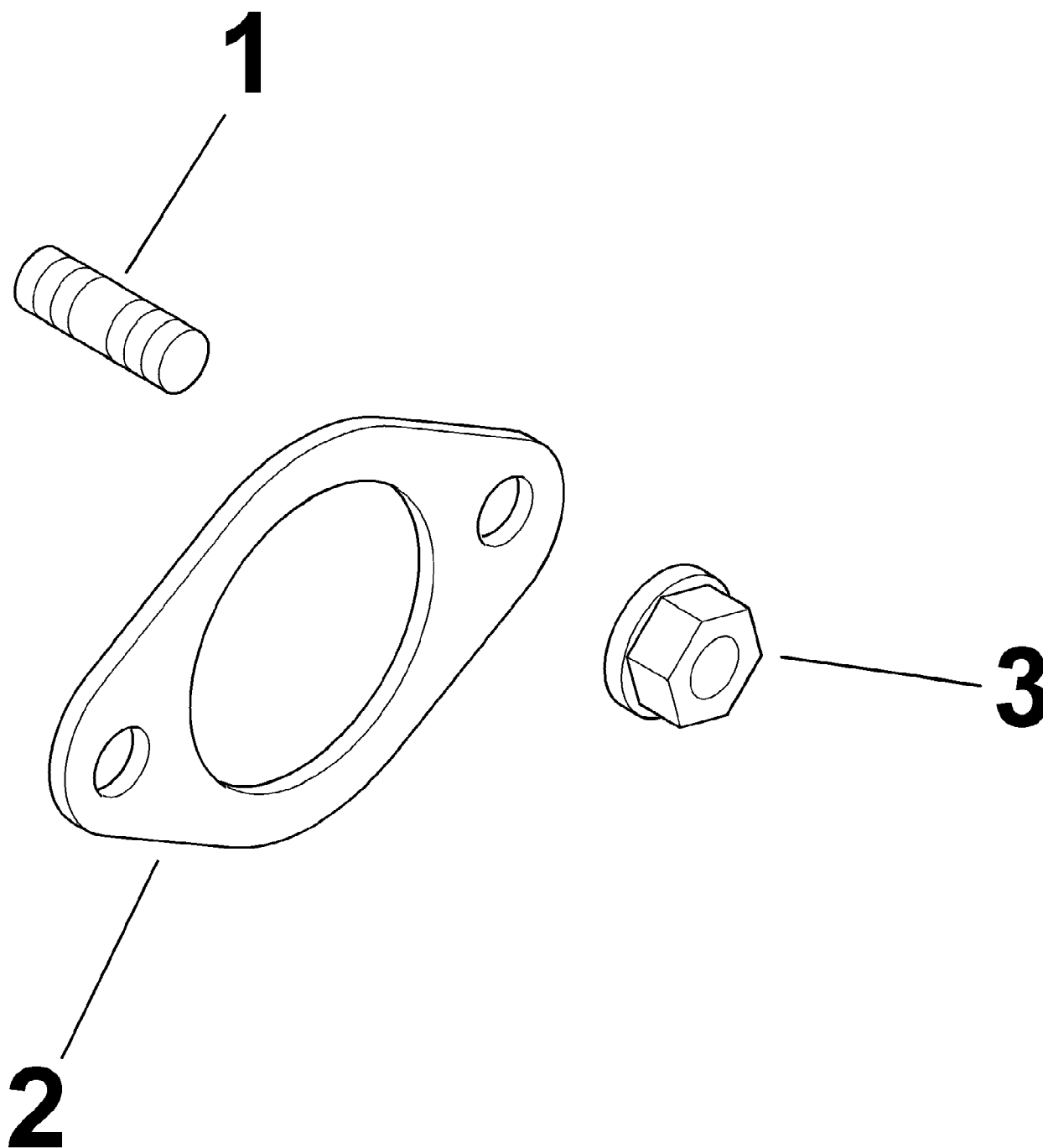
Ref #	Part Number	Qty	S/P/F	Description
1	KH-20-027-07-S	1	/P	Blower Housing
2	KH-20-086-06-S	1	/P	Shoulder Screw, M6 x 1.0 x 26



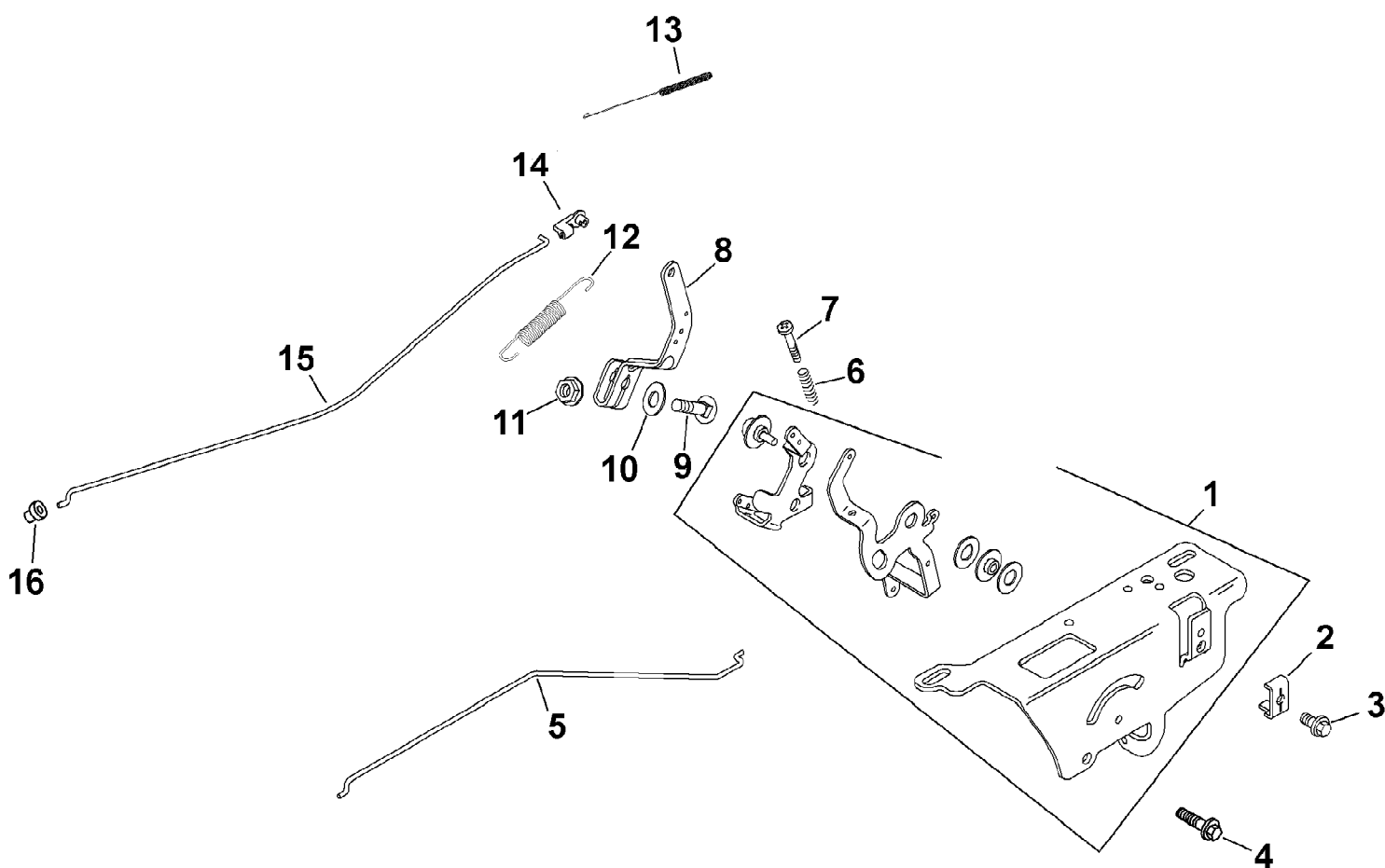
Ref #	Part Number	Qty	S/P/F	Description
1	N/A	1		Crankcase (Use Short Block KH-20-522-05)
2	KH-25-139-57-S	1	/P	Square Head Pipe Plug, 3.8
3	KH-20-032-01-S	1	/P	Oil Seal
4	KH-20-067-04-S	1	S	Connecting Rod
5	KH-20-874-01-S	1		Piston w/ Ring Set (Inc. 6 & 7)
6	KH-20-108-01-S	1	S	Ring Set (94 Mm)
7	KH-20-018-04-S	1		Piston Pin Retainer
8	KH-20-123-02-S	1		Drain Back Tube
9	KH-20-755-04-S	1		Balance Weight Kit (Inc. 10 & 11)
10	KH-20-380-16-S	1		Screw/Guide Pin Kit
11	KH-20-423-02-S	1		Guide Shoe
12	KH-12-154-05	1		Hitch Pin Clip
13	KH-M-631015	1	/P	Flat Washer, 6 mm
14	KH-X-25-102-S	1	/P	Flat Washer
15	KH-20-144-02-S	1		Governor Cross Shaft
16	KH-20-393-02-S	1		Oil Pump Assy. (Inc. 17, 18 & KH-20-041-01-S)
17	KH-20-112-02-S	1		Oil Pump Screw Spacer
18	KH-20-086-13-S	1		Oil Pump Screw
19	KH-20-144-11-S	1	/P	Cam Shaft Center . Exhaust (Inc. 20)
20	KH-20-468-01-S	1		Thrust Washer
21	KH-20-090-01-S	1		Cam Lever Assembly (Inc. 22)
22	KH-20-086-06-S	1	/P	Shoulder Screw, M6 x 1.0 x 26
23	KH-20-010-04-S	1	/P	Cam Gear Assembly . Exhaust (Inc. 24-26)
24	KH-20-089-06-S	1		ACR Spring
25	KH-20-044-16-S	1		ACR Weight
26	KH-20-468-03-S	1		ACR Thrust Washer
27	KH-20-010-04-S	1	/P	Cam Gear Assembly . Intake
	KH-20-041-01-S	1	/P	Closure Plate Gasket Not Shown
	KH-SV600-0009	1	S	Engine, Complete Single Not Shown i1046 Model 17AE



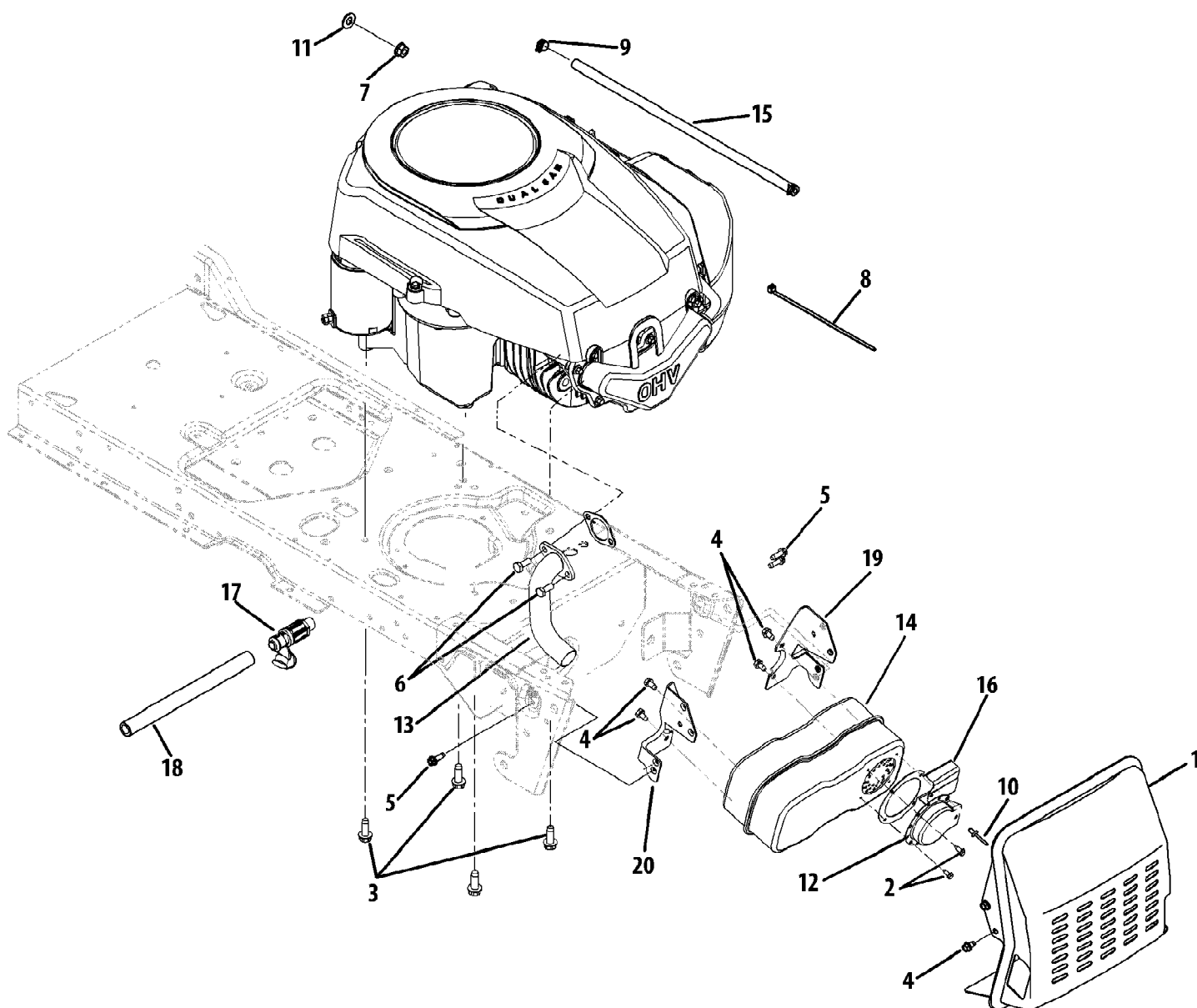
Ref #	Part Number	Qty	S/P/F	Description
1	KH-20-096-07-S	1	S	Valve Cover Kit (Inc. 2)
2	KH-20-041-13-S	1	/P	Valve Cover Gasket
3	KH-M-645020-S	1	/P	Hex Flange Screw, M6 x 1.0 x 20
4	KH-20-326-20-S	1	/P	Breather Hose
5	KH-20-599-03-S	1	S	Rocker Arm Pivot Kit (Inc. 6)
6	KH-20-086-04-S	1		Set Screw
7	KH-20-186-01-S	1		Rocker Arm
8	KH-20-072-08-S	1	/P	Rocker Arm Stud
9	KH-20-146-03-S	1		Push Rod Guide Plate
10	KH-20-062-01-S	1	/P	Valve Spring Retainer Lock
11	KH-20-173-01-S	1	/P	Valve Spring Cap
12	KH-20-089-03-S	1		Valve Spring
13	KH-20-086-02-S	1	/P	Hex Flange Screw, M10 x 1.5 x 80
14	KH-12-468-05	1		Flat Washer, 13.32
15	KH-20-318-07-S	1	S	Cylinder Head
16	KH-20-016-01-S	1	/P	Exhaust Valve
17	KH-20-017-01-S	1		Intake Valve
18	KH-20-841-01-S	1	/P	Cylinder Head Gasket Repair Kit (Inc. 13, 14, KH-12-041-01-S, KH-12-041-02-S & KH-20-041-07-S)
19	KH-20-411-04-S	1	/P	Push Rod
	KH-12-041-01	1	/P	Carburetor Gasket Not Shown
	KH-12-041-02	1	/P	Air Cleaner Gasket Not Shown
	KH-20-041-17-S	1	/P	Heat Deflector Gasket Not Shown



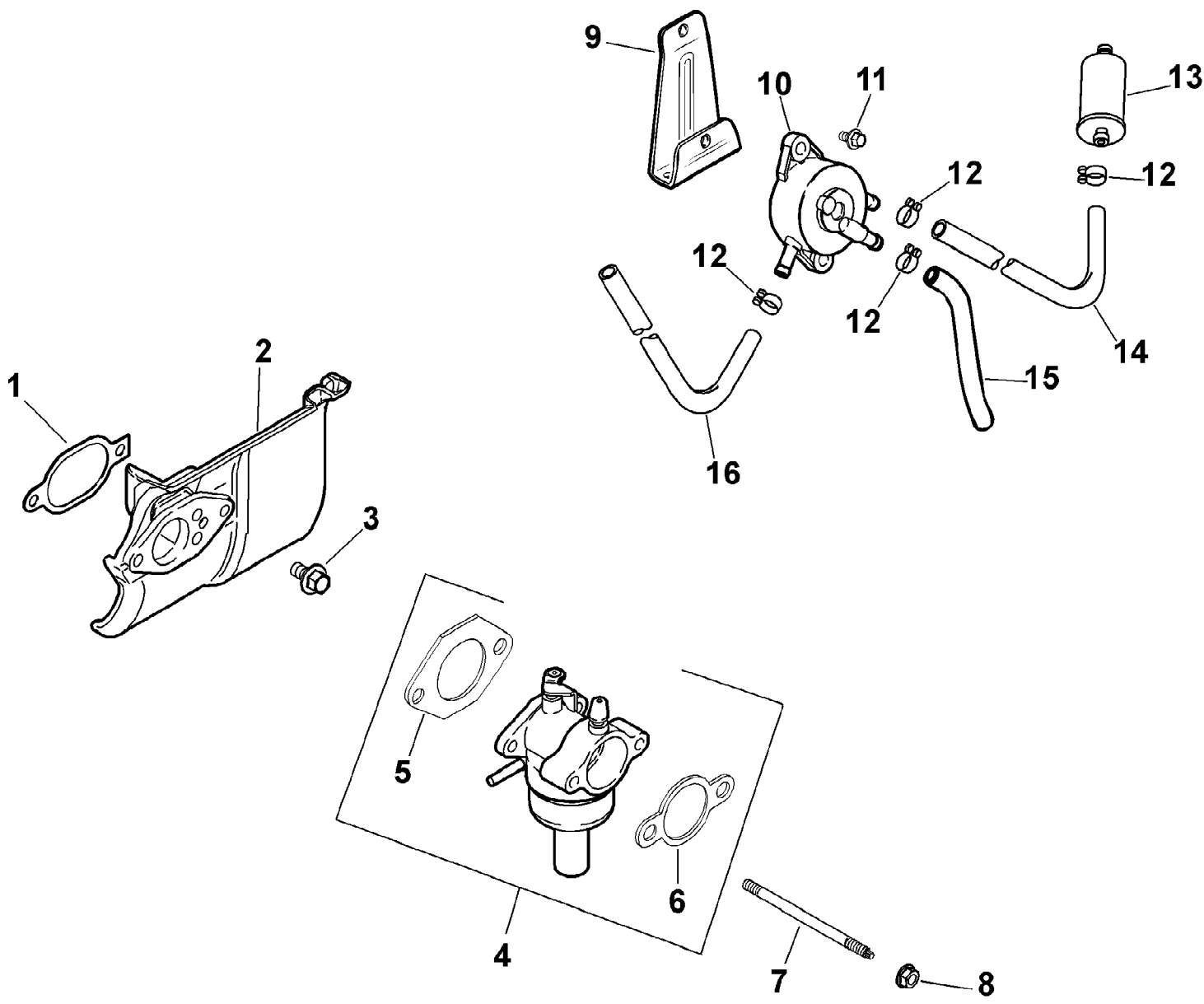
Ref #	Part Number	Qty	S/P/F	Description
1	KH-25-072-04	1	/P	Exhaust Stud
2	KH-20-041-12-S	1	/P	Gasket
3	KH-M-0841080	1	S	Hex Flange Nut, M8 x 1.25



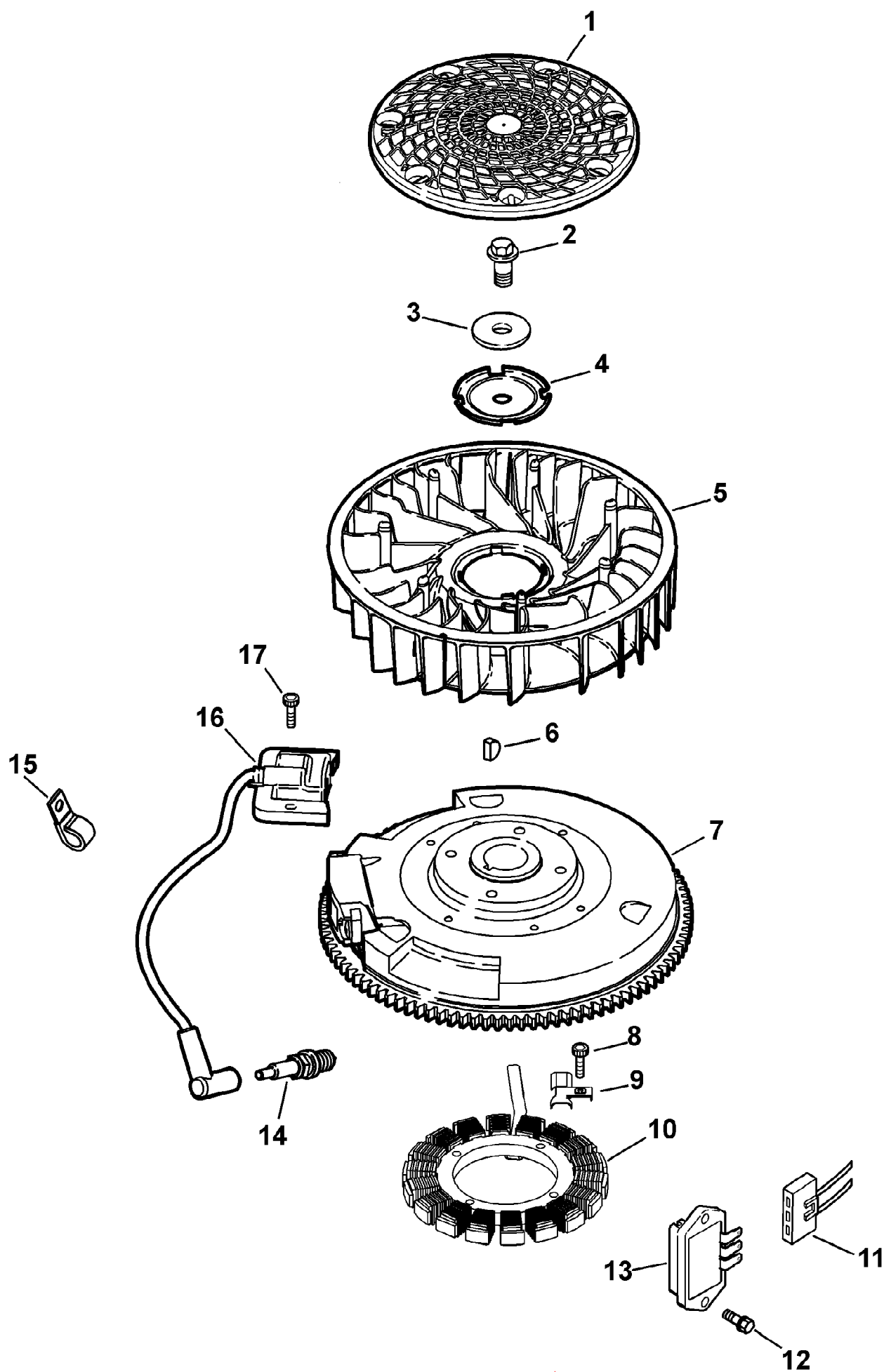
Ref #	Part Number	Qty	S/P/F	Description
1	KH-20-536-05-S	1	/P	Speed Control Assembly (Inc. 4, 6,7 & 12)
2	KH-12-237-01	1		Cable Clamp
3	KH-M-545016-S	1	/P	Hex Flange Screw, M5 x 0.8 x 16
4	KH-M-664020-S	1		Socket Screw, M6 x 1.0 x 20
5	KH-20-079-05-S	1		Single Wire Choke Linkage
6	KH-12-089-11	1	S	Speed Control Spring
7	KH-20-086-10-S	1		Screw, M4 x 0.7 x 25
8	KH-20-090-02-S	1	S	Governor Lever
9	KH-52-211-04	1		Bolt, 1.4-20 x 1
10	KH-X-22-11	1		Lock Washer, 1.4
11	KH-12-100-07	1		Hex Flange Nut, 1.4-20
12	KH-20-089-11-S	1	/P	Governor Spring
13	KH-20-089-10-S	1		Linkage Spring
14	KH-25-158-11	1	/P	Throttle Linkage Bushing
15	KH-20-079-07-S	1	/P	Throttle Linkage
16	KH-25-158-08	1	/P	Linkage Retaining Bushing



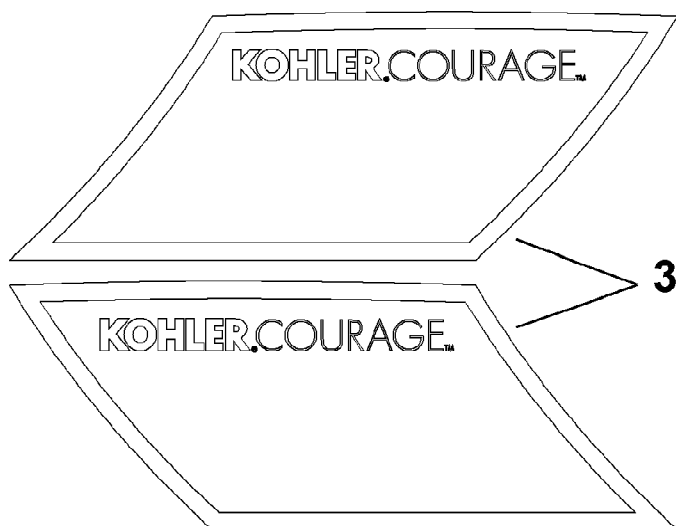
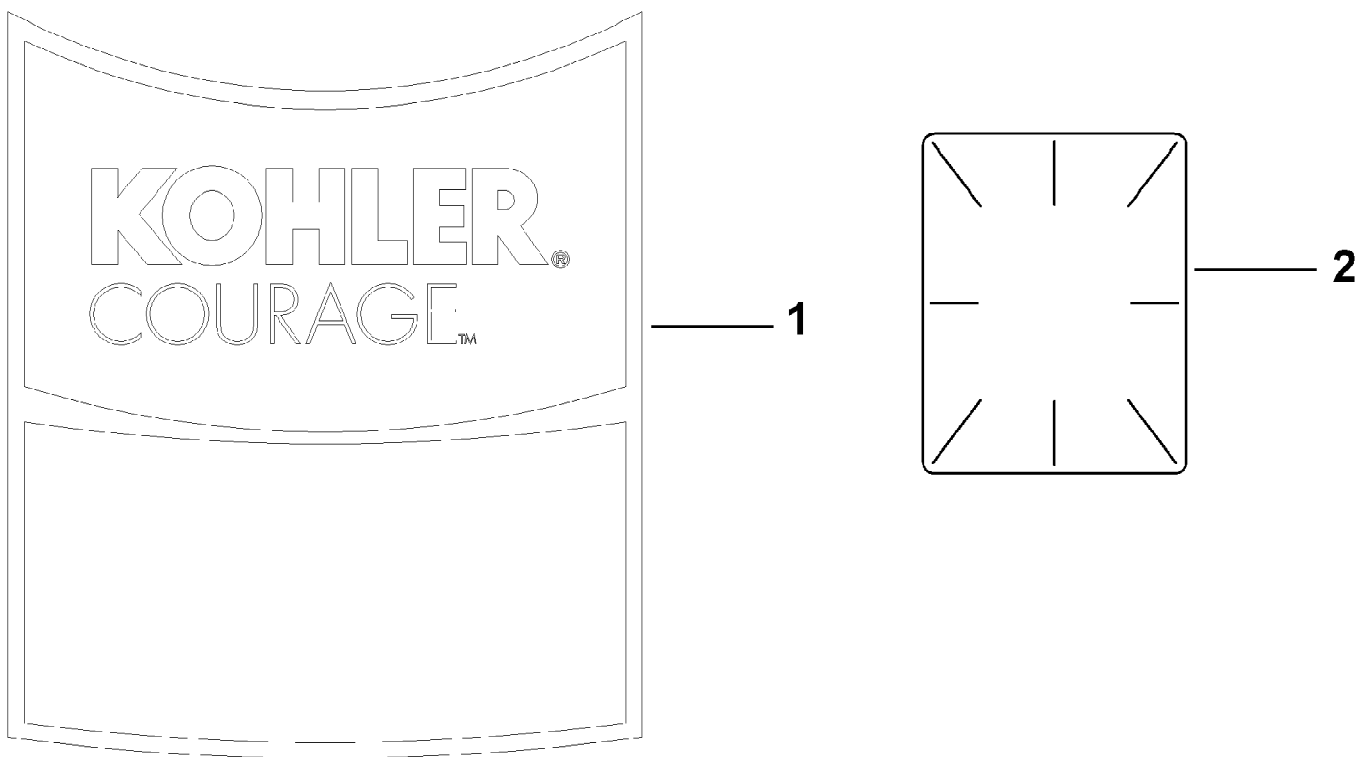
Ref #	Part Number	Qty	S/P/F	Description
1	683-04256-0637	1	/P	Muffler Shield
2	710-0227	1	/P	Hex Washer Screw, #8-18 x .5
3	710-04683	1		Hex Screw, 3/8-16 x 1.0
4	710-0599	1	/P	Hex Washer Screw, 1/4-20 x .5
5	710-1652	1	/P	Hex Washer Screw, 1/2-20 x .625
6	710-3008	1	/P	Hex Screw, 5/16-18 x .75
7	912-3005	1	/P	Hex Lock Nut, 3/8-16
8	725-0157	1	/P	Cable Tie
9	726-0205	1	/P	Hose Clamp
10	728-04000	1		Pop Rivet, .188 x .3
11	936-0300	1	/P	Flat Washer, .406 x .875 x .059
12	751-0564B	1	/P	Muffler Deflector
13	751-10017	1		Pipe Exhaust
14	751-10162	1		Single Inlet Muffler
15	751-10349-28	1	/P	Fuel Hose
16	751-10353	1		Muffler Deflector
17	951-10517	1	S	Oil Drain Valve
18	751-3141-14	1	/P	Oil Drain Extension Hose
19	783-04870-0637	1	/P	LH Muffler Bracket
20	783-04872-0637	1	/P	RH Muffler Bracket
NS	926-0154	1	/P	Fuel Line Cable Tie, 7.5



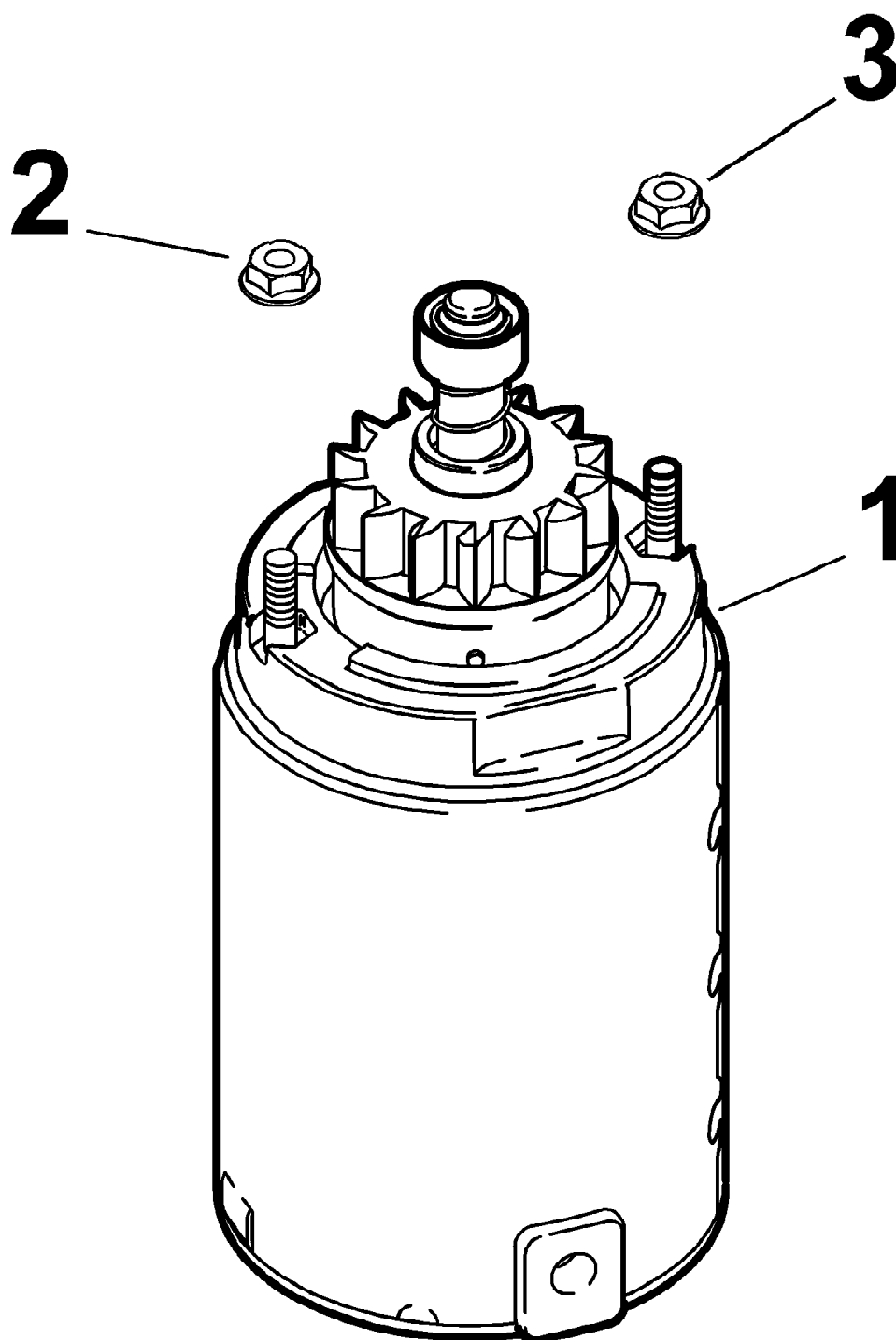
Ref #	Part Number	Qty	S/P/F	Description
1	KH-20-041-17-S	1	/P	Heat Deflector Gasket
2	KH-20-265-07-S	1	S	Heat Deflector
3	KH-M-651020-S	1		Hex Flange Screw, M6 x 1.0 x 20
4	KH-20-853-33-S	1	/P	Carburetor w/ Gaskets (Inc. 5 & 6)
5	KH-12-041-01	1	/P	Carburetor Gasket
6	KH-12-041-02	1	/P	Air Cleaner Gasket
7	KH-20-072-05-S	1		Carburetor Mounting Stud
8	KH-M-641060-S	1	/P	Hex Flange Nut, M6 x 1.0
9	KH-20-126-02-S	1		Fuel Pump Mounting Bracket
10	KH-24-393-16	1	/P	Fuel Pump
11	KH-M-0545010	1	/P	Hex Flange Screw, M5 x 0.8 x 10
12	KH-25-237-14-S	1	/P	Hose Clamp
13	KH-25-050-22-S1	1	/P	Fuel Filter
14	KH-20-353-01-S	1		Fuel Line, 15-3.4
15	KH-25-353-06-S	1		Fuel Line, 4
16	751-0535-10	1	S	Fuel Line, 10
	KH-20-431-02-S	1		Fuel Line Sleeve Not Shown
	KH-X-22-11	1		Lock Washer, 1.4 (Ground) Not Shown
	KH-12-454-03-S	1	/P	Wire Tie Not Shown
	KH-12-755-110-S	1		Choke Shaft Kit (Inc. 5 & 6) Not Shown
	KH-12-757-02	1	/P	Float Kit Not Shown
	KH-12-757-03	1	/P	Carburetor Repair Kit (Inc. 5 & 6) Not Shown
	KH-12-757-33	1	/P	Solenoid Repair Kit Not Shown
	KH-12-757-37-S	1		Bowl Replacement Kit (Inc. 5 & 6) Not Shown
	KH-20-755-06-S	1		High Altitude Kit (Inc. 5 & 6) Not Shown
	KH-20-755-07-S	1		High Altitude Kit (Inc. 5 & 6) Not Shown



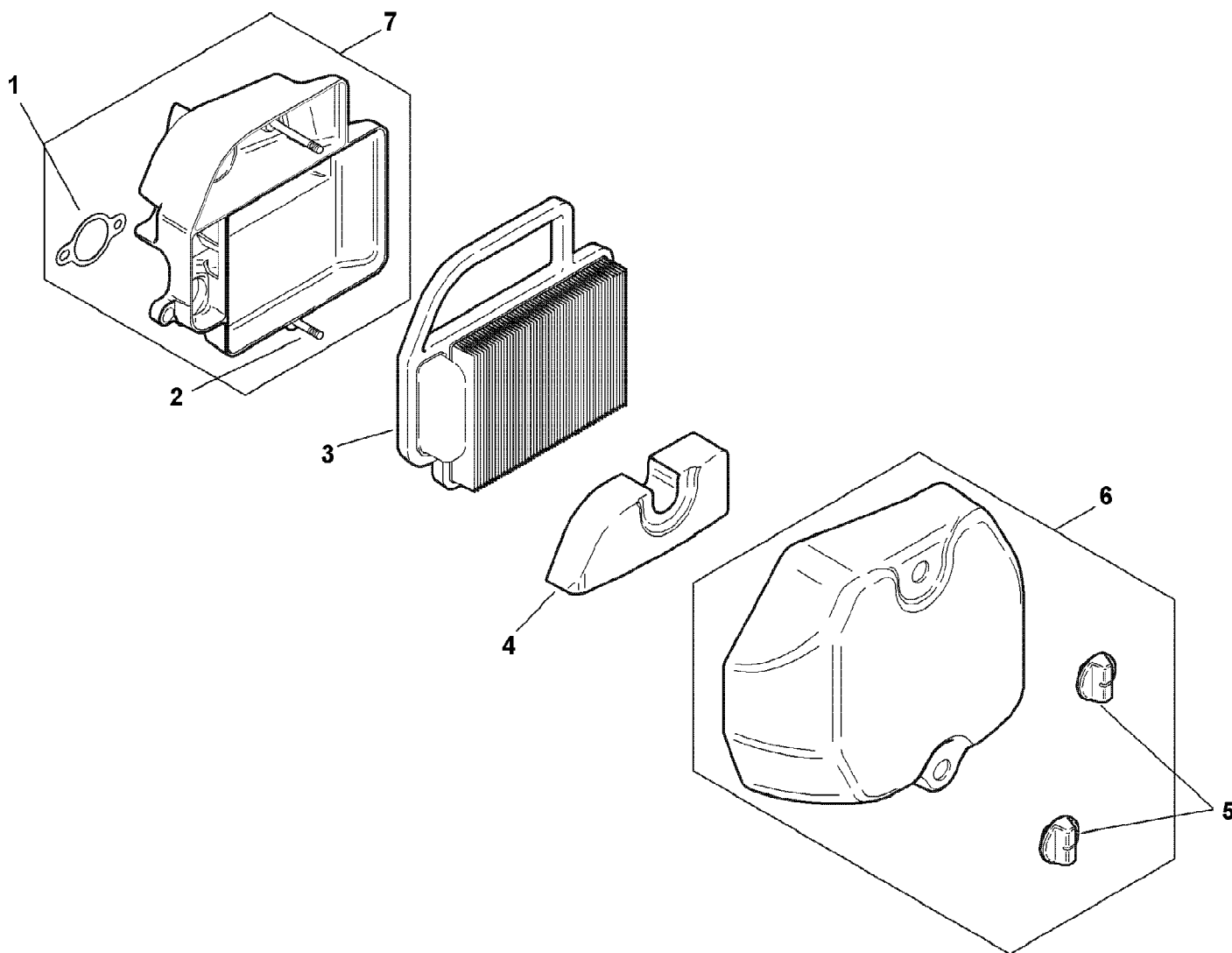
Ref #	Part Number	Qty	S/P/F	Description
1	KH-20-162-02-S	1		Grass Screen
2	KH-12-086-14	1		Hex Flange Screw, M10 x 1.5 x 45
3	KH-12-468-03	1	/P	Flat Washer, 13/32
4	KH-20-146-05-S	1	/P	Fan Mounting Plate
5	KH-20-157-01-S	1		Fan
6	KH-X-42-15	1	/P	Woodruff Key
7	KH-20-025-40-S	1	/P	Flywheel
8	KH-20-086-17-S	1		Hex Socket Screw, M5 x 0.8 x 25
9	KH-20-154-03-S	1		Stator Wire Clip
10	KH-237878	1	/P	Stator Kit
11	KH-25-155-41-S	1	/P	Body Connector (3 Contact)
12	KH-M-545020-S	1		Hex Flange Screw, M5 x 0.8 x 20
13	KH-41-403-09	1	S	Regulator Rectifier
14	759-3336	1	/P	Spark Plug
15	KH-231285-S	1		Cable Clip
16	KH-20-584-03-S	1	/P	Ignition Module
17	KH-M-561025-S	1		Hex Socket Screw, M5 x 0.8 x 25
	KH-20-176-02-S	1		Wiring Harness Not Shown
	KH-20-237-01-S	1		Wire Harness Clamp Not Shown



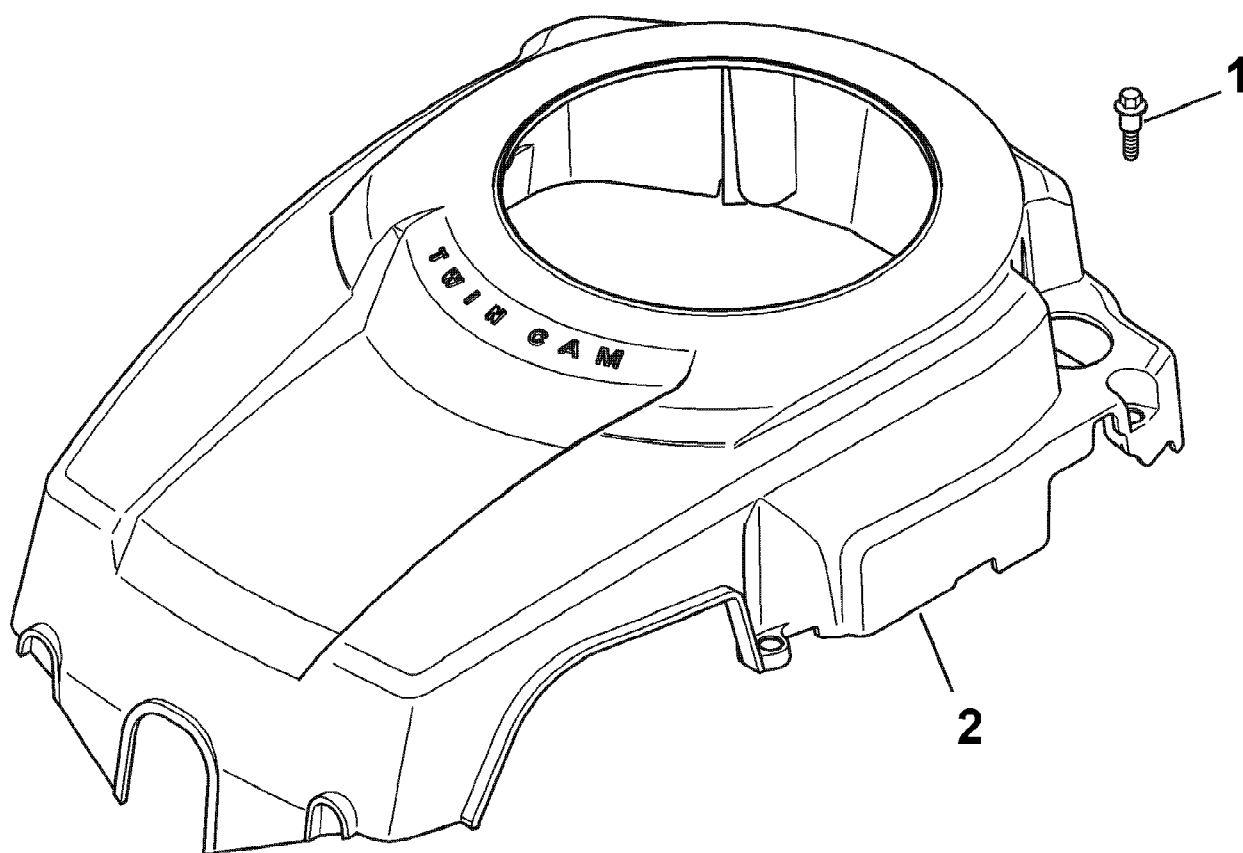
Ref #	Part Number	Qty	S/P/F	Description
1	KH-20-113-25-S	1		20 HP Decal
2	KH-25-113-39-S	1		Clear Lamination Decal
3	KH-20-113-23-S	1	S	Cub Cadet Decal (2-pc Wing Set)
	KH-20-522-05	1	/P	Short Block Not shown
	KH-20-755-05-S	1	/P	Gasket Set Not shown



Ref #	Part Number	Qty	S/P/F	Description
1	KH-20-098-05-S	1	S	Starter Assembly
2	KH-25-100-31-S	1		Hex Nut, #10-24
3	KH-12-100-07	1		Flange Nut, 1.4-20

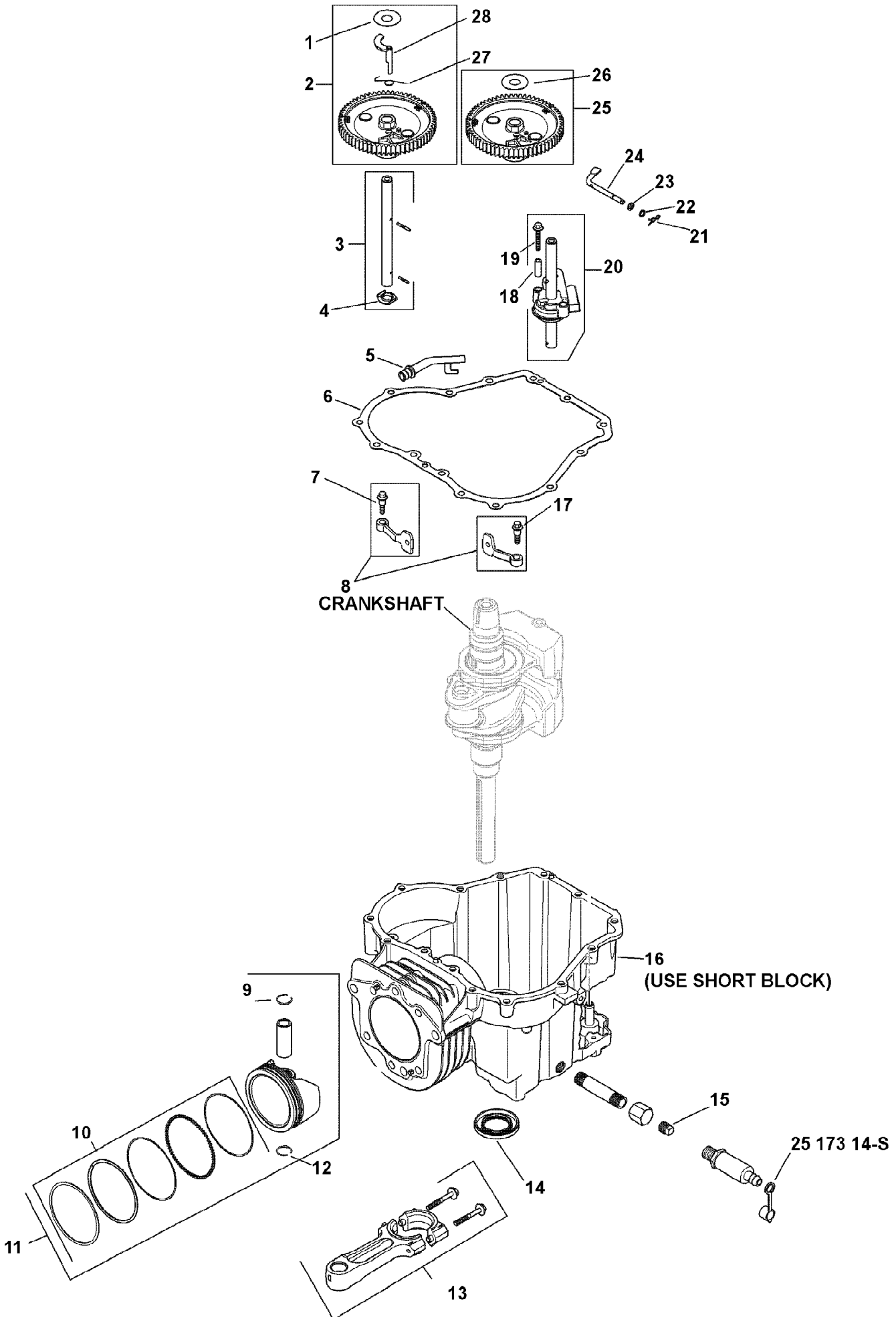


Ref #	Part Number	Qty	S/P/F	Description
1	KH-12-041-02	1	/P	Gasket, Air Cleaner Base
2	KH-20-072-04-S	2		Stud, Air Cleaner Base
3	KH-20-883-02-S1	1	/P	Element, Air Cleaner
4	KH-20-883-02-S1	1	/P	Pre-Cleaner Element (Dry)
5	KH-25-341-05-S	2		Knob, Cover
6	KH-20-094-04-S	1	/P	Air Clnr Base (Incl. Ref No. 5)
7	KH-20-096-04-S	1		Kit, Air Cleaner Cover (Incl. Ref No. 1 & 2)

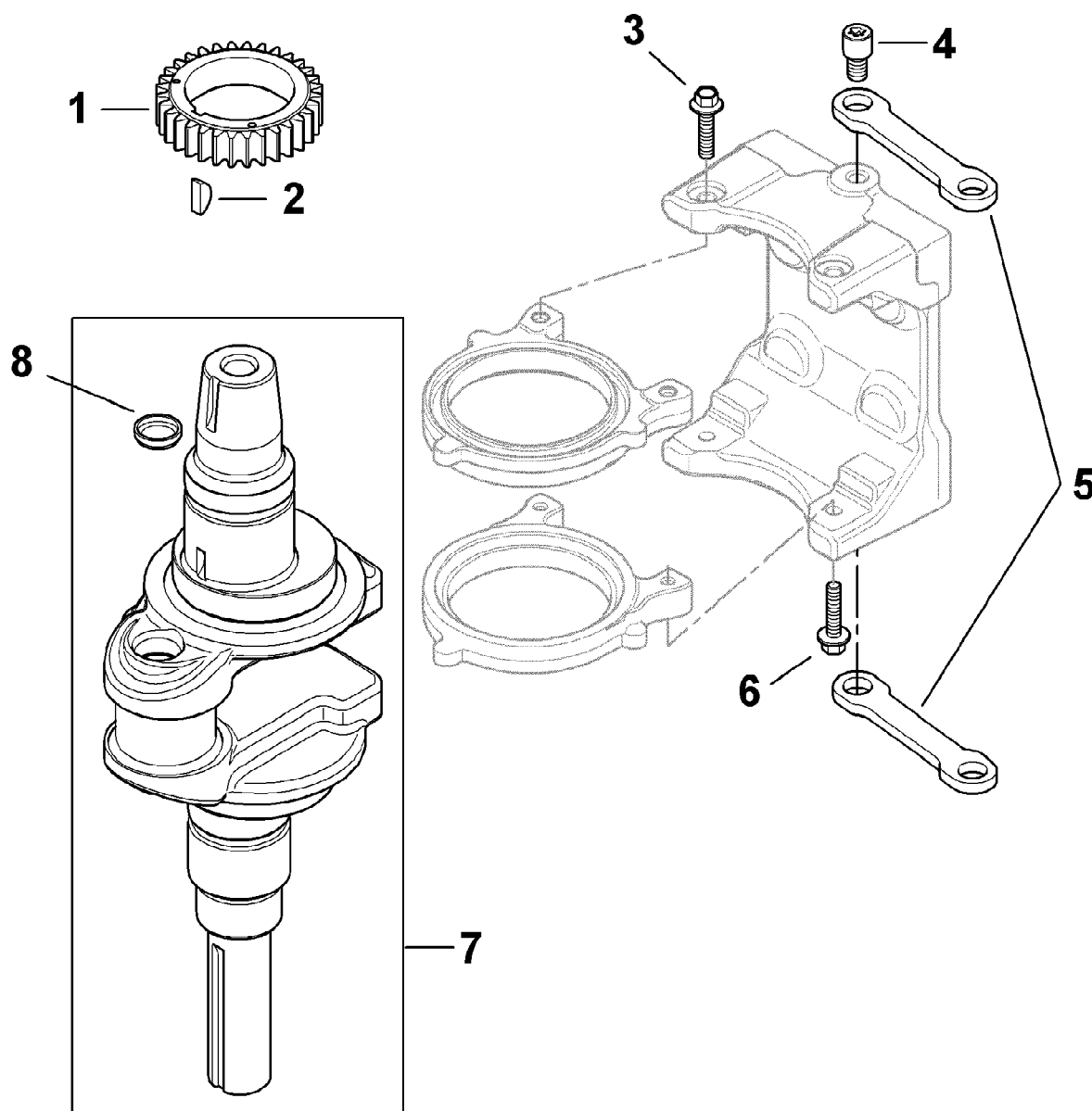


i1046 Tractor 2008 & After
Kohler SV600-0217 Blower Housing

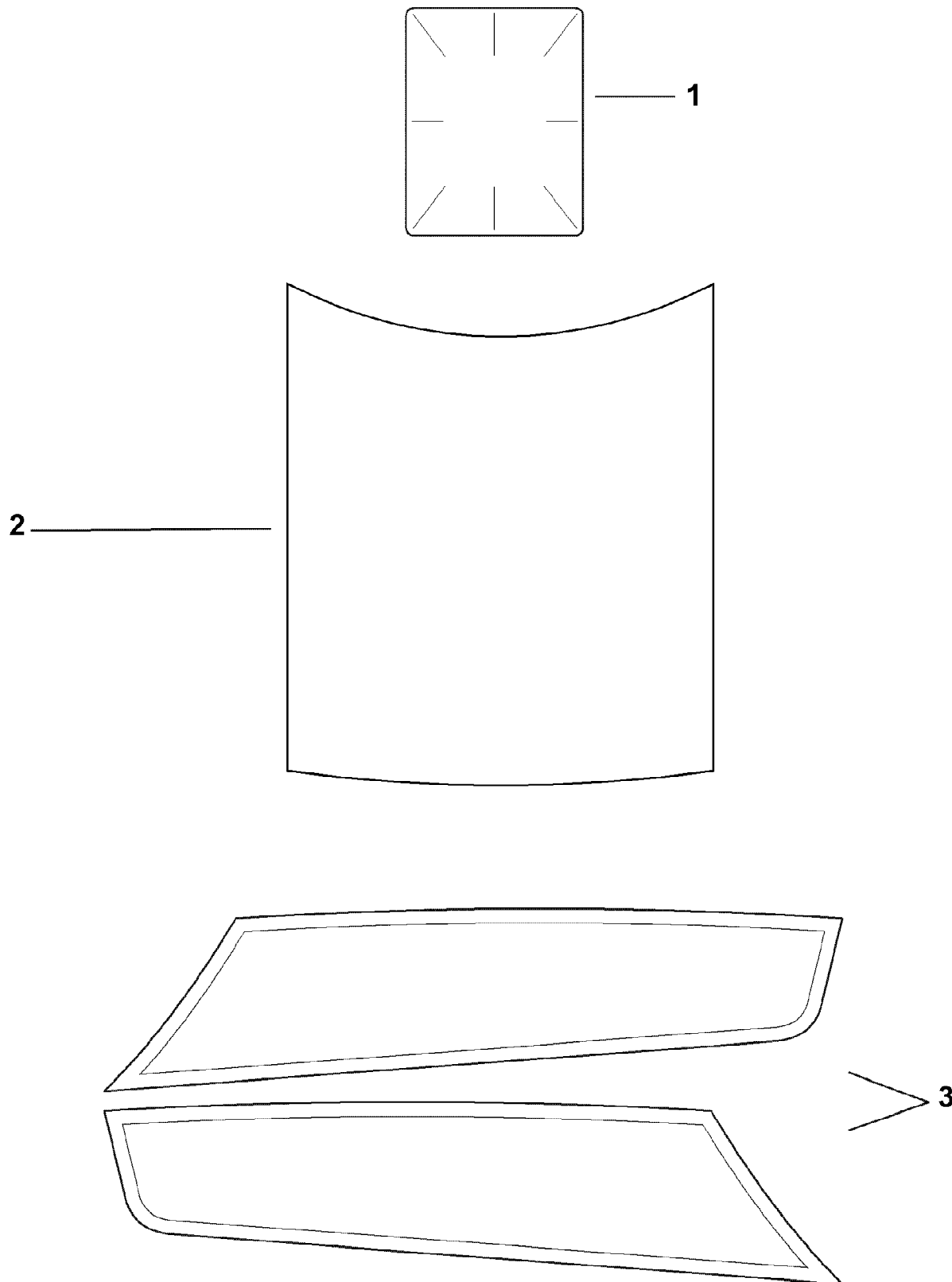
Ref #	Part Number	Qty	S/P/F	Description
1	KH-20-086-06-S	4	/P	Screw, Shd Thd Frm M6X1X26 (Incl. KH-41-037-10-S)
2	KH-20-027-07-S	1	/P	Kit, Blower Housing
	KH-41-037-10-S	1		Nameplate, Service Not Illustrated



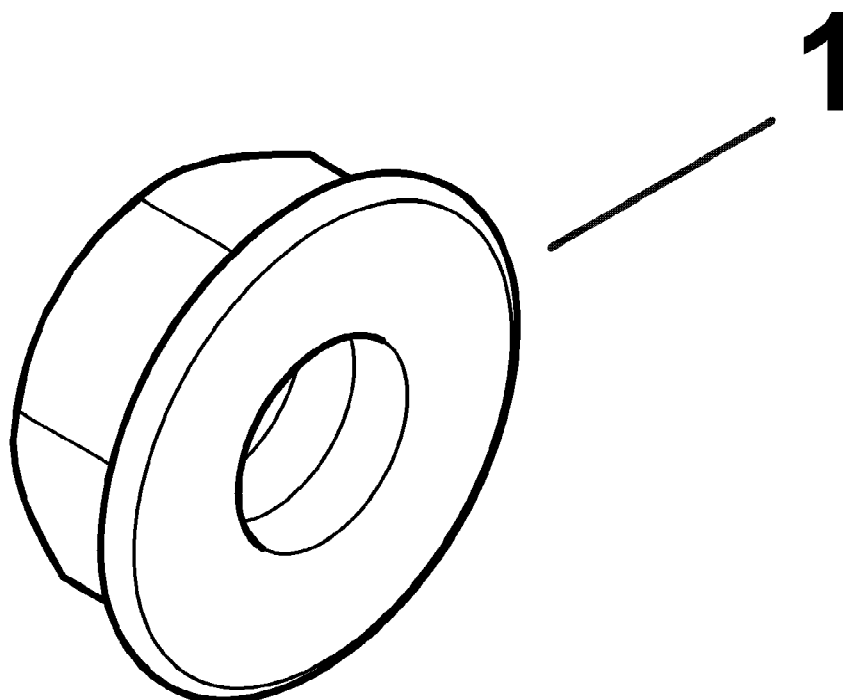
Ref #	Part Number	Qty	S/P/F	Description
1	KH-20-468-03-S	1		Washer, Thrust -Acr
2	KH-20-010-04-S	1	/P	Kit, Camshaft Assembly (Incl. Ref No. 1, 27 & 28)
3	KH-20-144-11-S	1	/P	Kit, Cam Center Shaft (Exhaust)
4	KH-20-468-08-S	1		Washer, Thrust (Incl. Ref No. 4)
5	KH-20-123-02-S	1		Tube, Drainback
6	KH-20-041-01-S	1	/P	Gasket, Closure Plate
7	KH-20-086-06-S	2	/P	Screw, Shd Thd Frm M6X1X26
8	KH-20-090-01-S	2		Kit, Cam Lever Assembly (Incl. Ref No. 7 & 17)
9	KH-62-018-04-S	2		Retainer, Piston Pin
10	KH-20-108-04-S	1	/P	Ring Set (94Mm)
11	KH-20-874-09-S	1		Kit, Piston W/Ring Set (94Mm) (Incl. Ref No. 9, 10 & 12)
12	KH-62-018-04-S	1		Retainer, Piston Pin
13	KH-20-067-05-S	1		Rod, Connecting Assembly
14	KH-20-032-01-S	1	/P	Seal, Oil
15	KH-25-139-57-S	1	/P	Plug, Sq Hd Pipe 3/8"
16	N/A	1		Crankcase (Use Short Block)
16	KH-20-522-05	1	/P	Short Block
17	KH-20-086-06-S	1	/P	Screw, Shd Thd Frm M6X1X26
18	KH-20-112-02-S	2		Spacer, Oil Pump Screw
19	KH-20-086-13-S	2		Screw, Oil Pump
20	KH-20-393-02-S	1		Kit, Oil Pump Assembly (Incl. Ref No. 18 & 19)
21	KH-12-154-05	1		Clip, Hitch Pin
22	KH-X-25-102-S	1	/P	Washer, Flat 1/4"
23	KH-M-631015	1	/P	Washer, Flat 6 Mm
24	KH-20-144-02-S	1		Shaft, Governor Cross
25	KH-20-010-04-S	1	/P	Kit, Camshaft Assembly (Incl. Ref No. 26)
26	KH-20-468-03-S	1		Washer, Thrust -ACR
27	KH-20-089-06-S	1		Spring, ACR
28	KH-20-044-16-S	1		Weight, ACR
	KH-20-755-05-S	1	/P	Overhaul Gasket Kit Not Shown



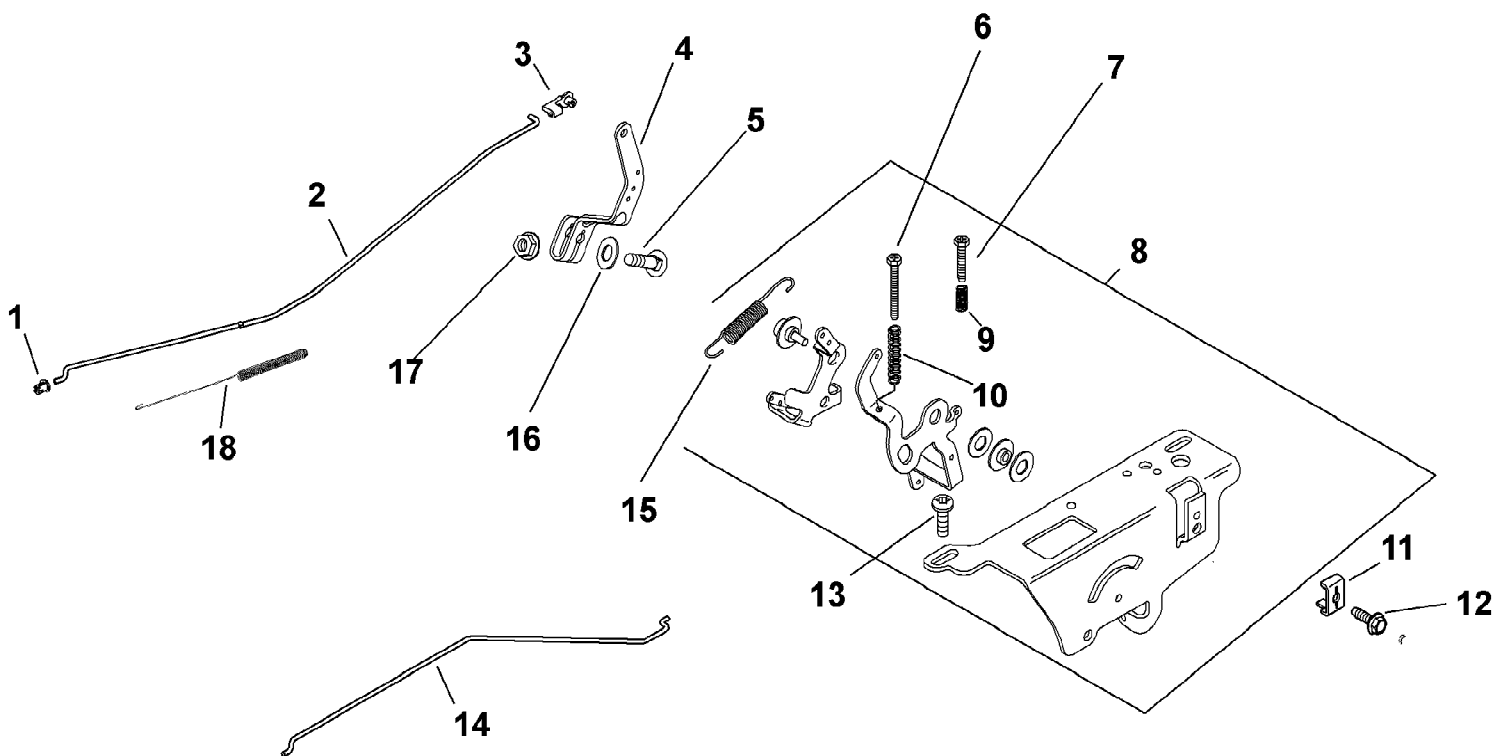
Ref #	Part Number	Qty	S/P/F	Description
1	KH-20-043-15-S	1		Gear, Crankshaft
2	KH-X-42-15	1	/P	Key, 3/16" X 5/8"
3	KH-25-086-137-S	4		Screw, Flg M6X1.0X25 - Discontinued
4	KH-25-086-214-S	1		Screw, Link Pivot
5	KH-20-186-04-S	2	/P	Linkage, Balance Weight
6	KH-25-086-213-S	1		Screw, Shoulder
7	KH-20-014-38-S	1	/P	Kit, Crankshaft Assembly (Incl. Ref No. 8)
8	KH-25-139-27-S	1		Plug, Cup



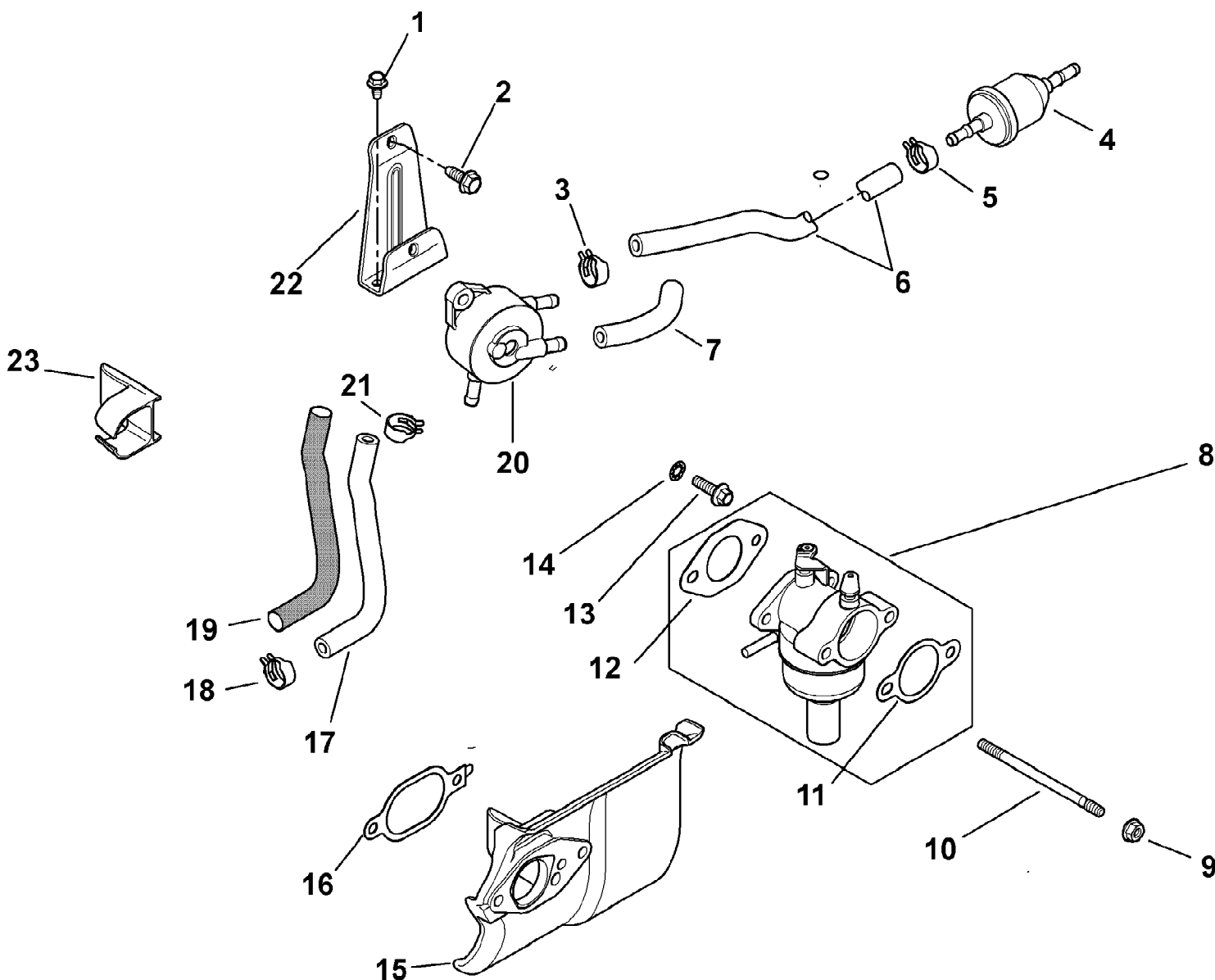
Ref #	Part Number	Qty	S/P/F	Description
1	KH-25-113-39-S	1		Decal, Clear Laminate
2	KH-20-113-53-S	1		Decal, 20Hp
3	KH-20-113-54-S	1	/P	Decal, Wing Set



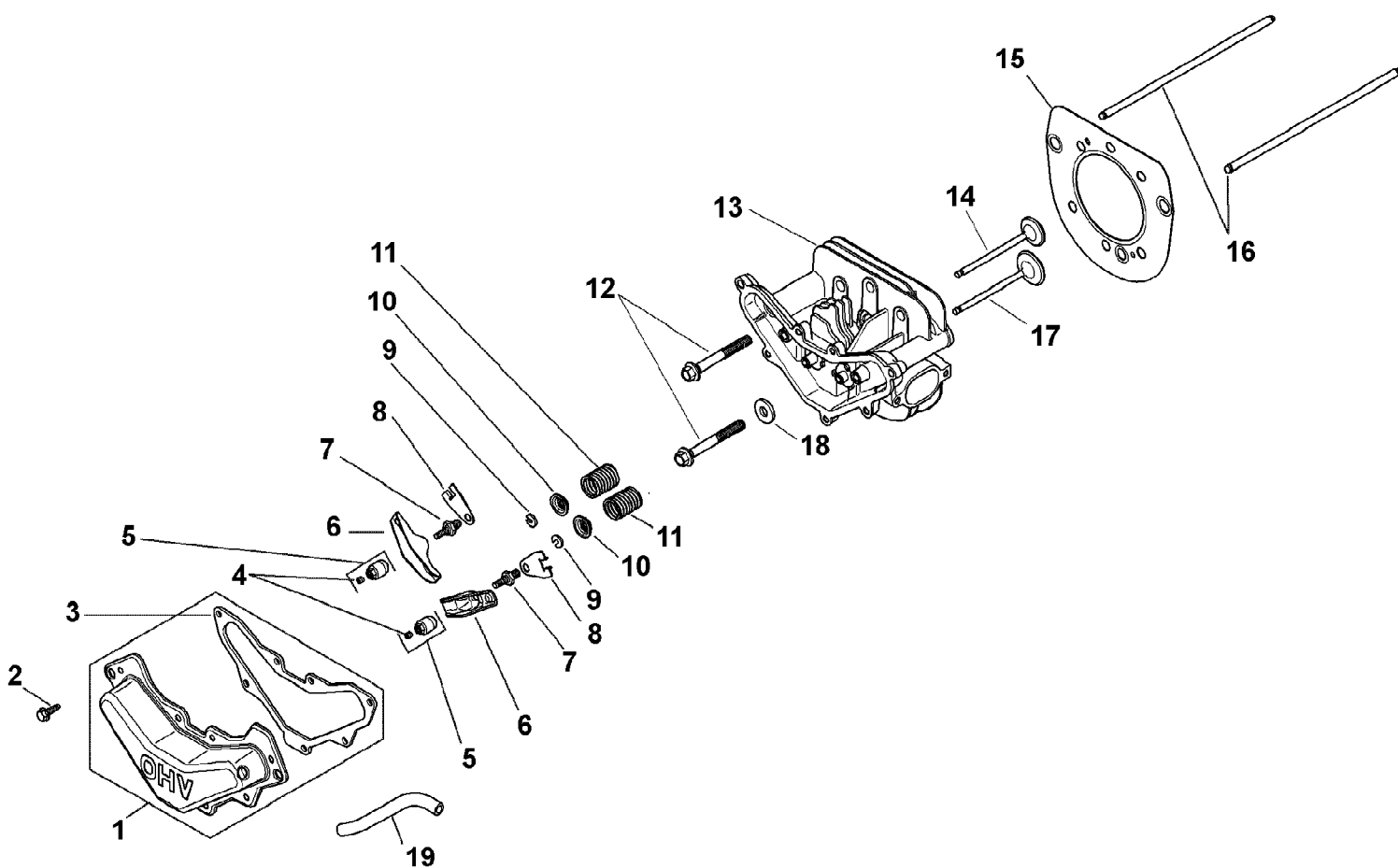
Ref #	Part Number	Qty	S/P/F	Description
1	KH-12-100-07	1		Nut, Hex Flg 1/4-20"
	KH-SV600-0217	1	/P	Engine Assembly Not shown



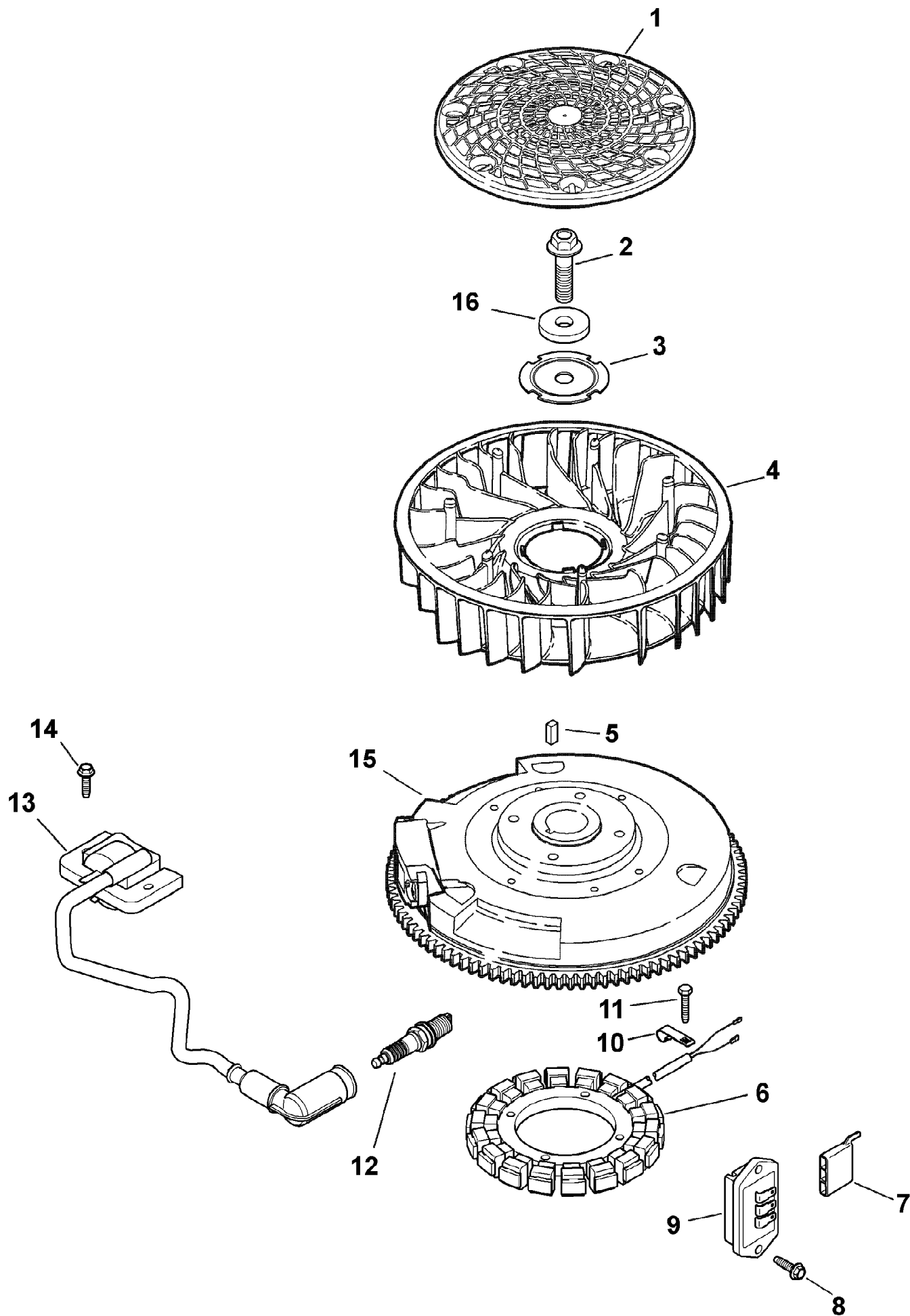
Ref #	Part Number	Qty	S/P/F	Description
1	KH-25-158-08	1	/P	Bushing, Linkage Retaining
2	KH-20-079-07-S	1	/P	Linkage
3	KH-25-158-11	1	/P	Bushing, Throttle Linkage
4	KH-20-090-02-S	1	S	Lever, Governor - Use 20 090 11-S
5	KH-52-211-04	1		Bolt, Rd Hd Sq Nck 1/4-20X1"
6	KH-20-086-18-S	1		Screw, Phi Thd Frm M4X0.7X38
7	KH-20-086-10-S	1		Screw, Phi Thd Frm M4X0.7X25
8	KH-20-536-06-S	1		Kit, Speed Control Assembly (Incl. Ref No. 6,7,9,10,13 & 15)
9	KH-12-089-11	1	S	Spring, Speed Control (Short)
10	KH-20-089-12-S	1		Spring, Speed Control (Long)
11	KH-12-237-01	1		Clamp, Cable
12	KH-M-545016-S	1	/P	Screw, Flg Thd Frm M5X0.8X16
13	KH-M-664020-S	1		Screw, Lbd Skt M6X1.0X20
14	KH-20-079-05-S	1		Linkage, Choke
15	KH-20-089-11-S	1	/P	Spring, Governor
16	KH-X-22-11	1		Washer, Int Tooth Lock 1/4"
17	KH-12-100-07	1		Nut, Hex Flg 1/4-20"
18	KH-20-089-10-S	1		Spring, Linkage



Ref #	Part Number	Qty	S/P/F	Description
1	KH-M-0545010	2	/P	Screw, Flg Thd Frm M5X.8X10
2	KH-M-645016-S	2	/P	Screw, Flg Thd Frm M6X1.0X16
3	KH-25-237-14-S	6	/P	Clamp, Hose 1/2"
4	KH-25-050-22-S1	1	/P	Filter, Fuel
5	KH-25-237-14-S	6	/P	Clamp, Hose 1/2"
6	KH-25-111-34-S	2		Line, Fuel (24"-Cut To Length)
7	KH-25-111-34-S	2		Line, Fuel (24"-Cut To Length)
8	KH-20-853-33-S	1	/P	Carb Kit (Incl. Ref No. 11 & 12)
9	KH-M-641060-S	2	/P	Nut, Flg M6X1.0
10	KH-20-072-05-S	2		Stud, M6X1.0X100
11	KH-12-041-02	1	/P	Gasket, Air Cleaner Base
12	KH-12-041-01	1	/P	Gasket, Carburetor
13	KH-M-651020-S	1		Screw, Flg M6X1.0X20
14	KH-X-22-11	1		Washer, Int Tooth Lock 1/4"
15	KH-20-265-09-S	1	/P	Heat Kit
16	KH-20-041-17-S	1	/P	Gasket
17	KH-25-111-34-S	2		Line, Fuel (24"-Cut To Length)
18	KH-25-237-14-S	6	/P	Clamp, Hose 1/2"
19	KH-25-431-12-S	1		Sleeve, Fuel Line
20	KH-24-393-16	1	/P	Pump, Fuel
21	KH-25-237-14-S	6	/P	Clamp, Hose 1/2"
22	KH-20-126-02-S	1		Bracket, Fuel Pump Mounting
23	KH-20-332-01-S	1		Insert, Intake Port
	KH-25-454-05-S	1		Tie Not Shown



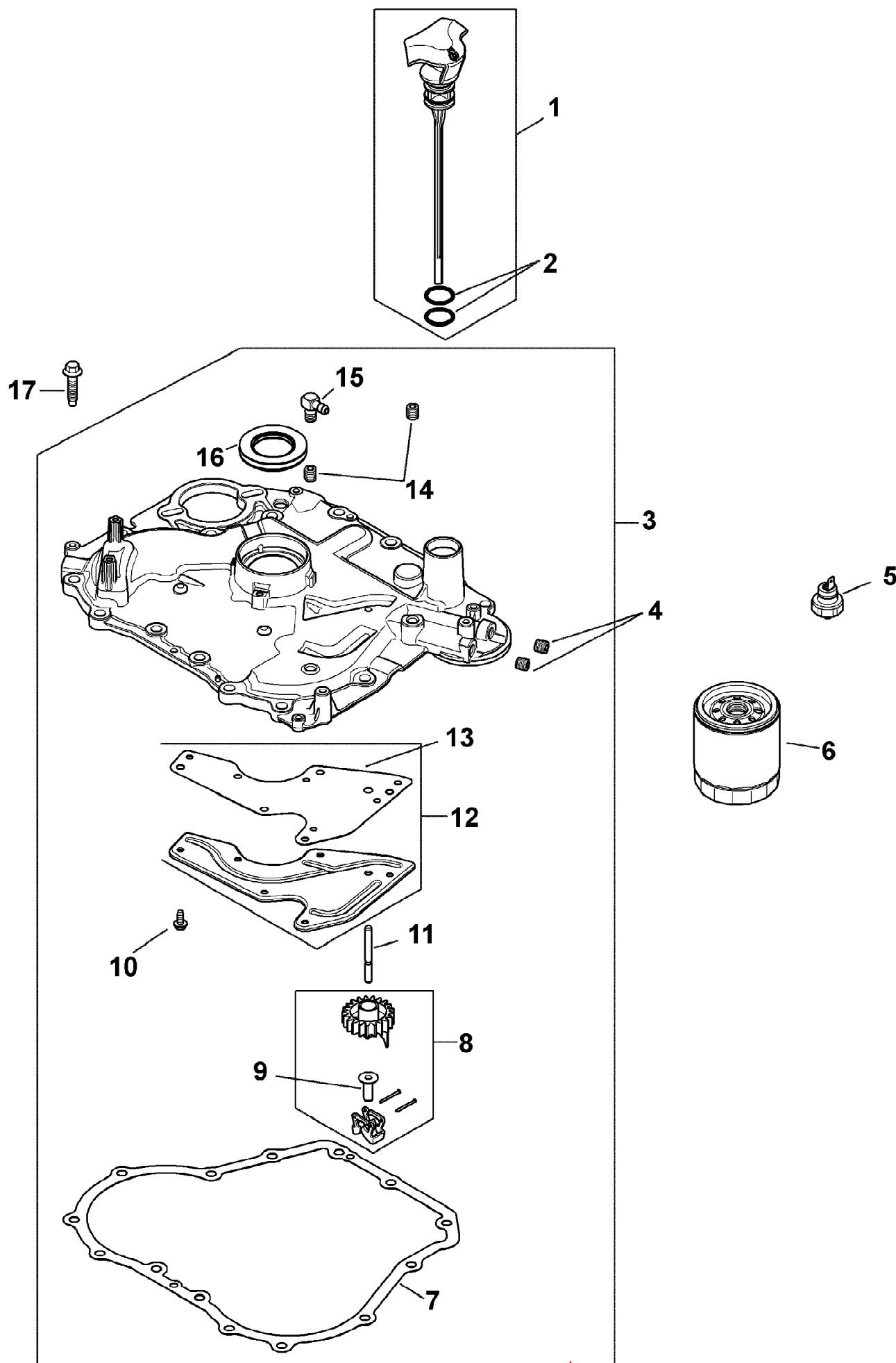
Ref #	Part Number	Qty	S/P/F	Description
1	KH-20-096-07-S	1	S	Kit, Valve Cover (Incl. Ref No. 3)
2	KH-M-645020-S	1	/P	Screw, Flg Thd Frm M6X1.0X20
3	KH-20-041-13-S	1	/P	Gasket, Valve Cover
4	KH-20-086-04-S	1		Screw, Set
5	KH-20-599-04-S	1	/P	Rocker Pivot Assembly (Incl. Ref No. 4)
5	KH-20-599-04-S	1	/P	Kit Pivot, Rocker Arm (Incl. Ref No. 4)
6	KH-20-186-01-S	1		Arm, Rocker
7	KH-20-072-08-S	1	/P	Stud, Rocker
8	KH-20-146-03-S	1		Plate, Push Rod Guide
9	KH-20-062-01-S	1	/P	Lock, Retainer
10	KH-20-173-01-S	1	/P	Cap, Valve Spring
11	KH-20-089-03-S	1		Spring, Valve
12	KH-20-086-02-S	1	/P	Screw, Flg M10X1.5X80
13	KH-20-318-11-S	1	/P	Kit, Cylinder Head (Incl. KH-25-086-87-S, KH-X-21-1-S - Not Shown)
14	KH-20-016-01-S	1	/P	Valve, Exhaust
15	KH-20-841-01-S	1	/P	Kit, Cylinder Head Gasket (Incl. Ref No. 3, 12, 18 & All items Not Shown Below)
16	KH-20-411-04-S	1	/P	Rod, Push
17	KH-20-017-01-S	1		Valve, Intake
18	KH-12-468-05	1		Washer, Flat 13/32"
19	KH-20-326-20-S	1	/P	Hose, Breather
	KH-12-041-01	1	/P	Gasket, Carburetor Not Shown, Included in Ref No. 15
	KH-12-041-02	1	/P	Gasket, Air Cleaner Base Not Shown, Included in Ref No. 15
	KH-20-041-12-S	1	/P	Gasket, Exhaust Not Shown, Included in Ref No. 15
	KH-20-041-17-S	1	/P	Gasket, Heat Deflector Not Shown, Included in Ref No. 15
	KH-20-041-18-S	1		Gasket, Heat Deflector Not Shown, Included in Ref No. 15
	KH-25-086-87-S	1	/P	Screw, Hex Socket Head Cap Not Shown, Included in Ref No. 15
	KH-X-21-1	1		Washer, Spring Lock 5/16" Not Shown, Included in Ref No. 15



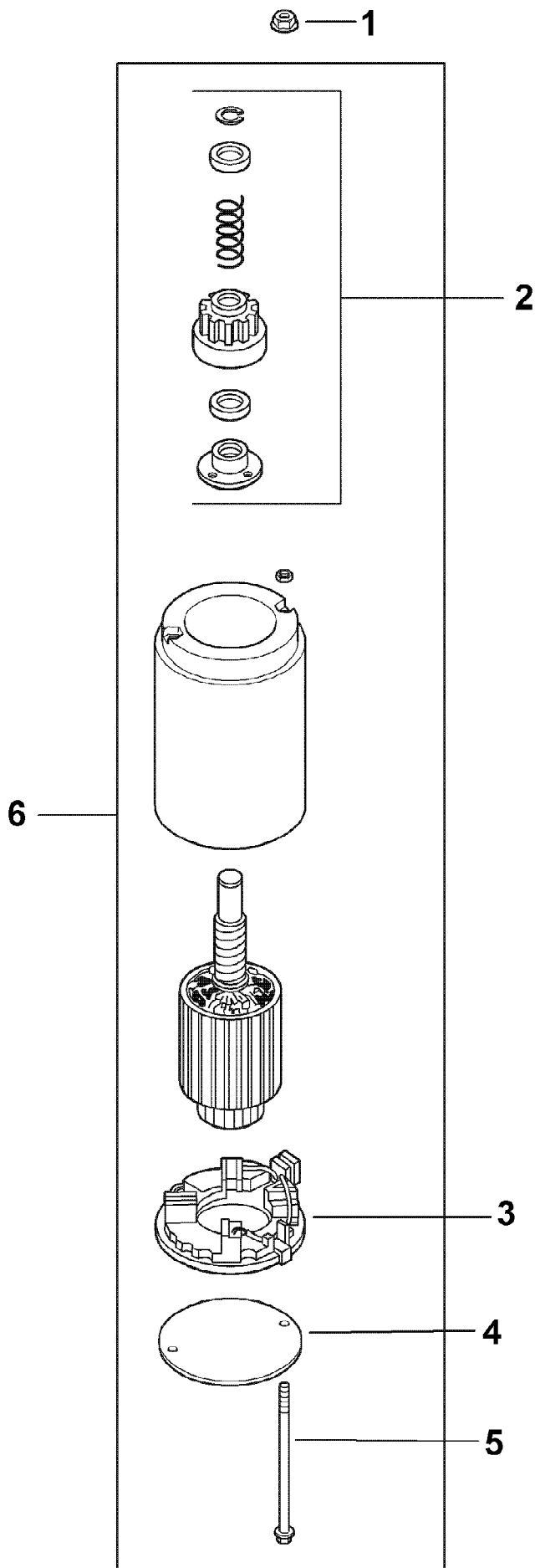
i1046 Tractor 2008 & After
Kohler SV600-0217 Ignition & Electrical

Page 46 of 93

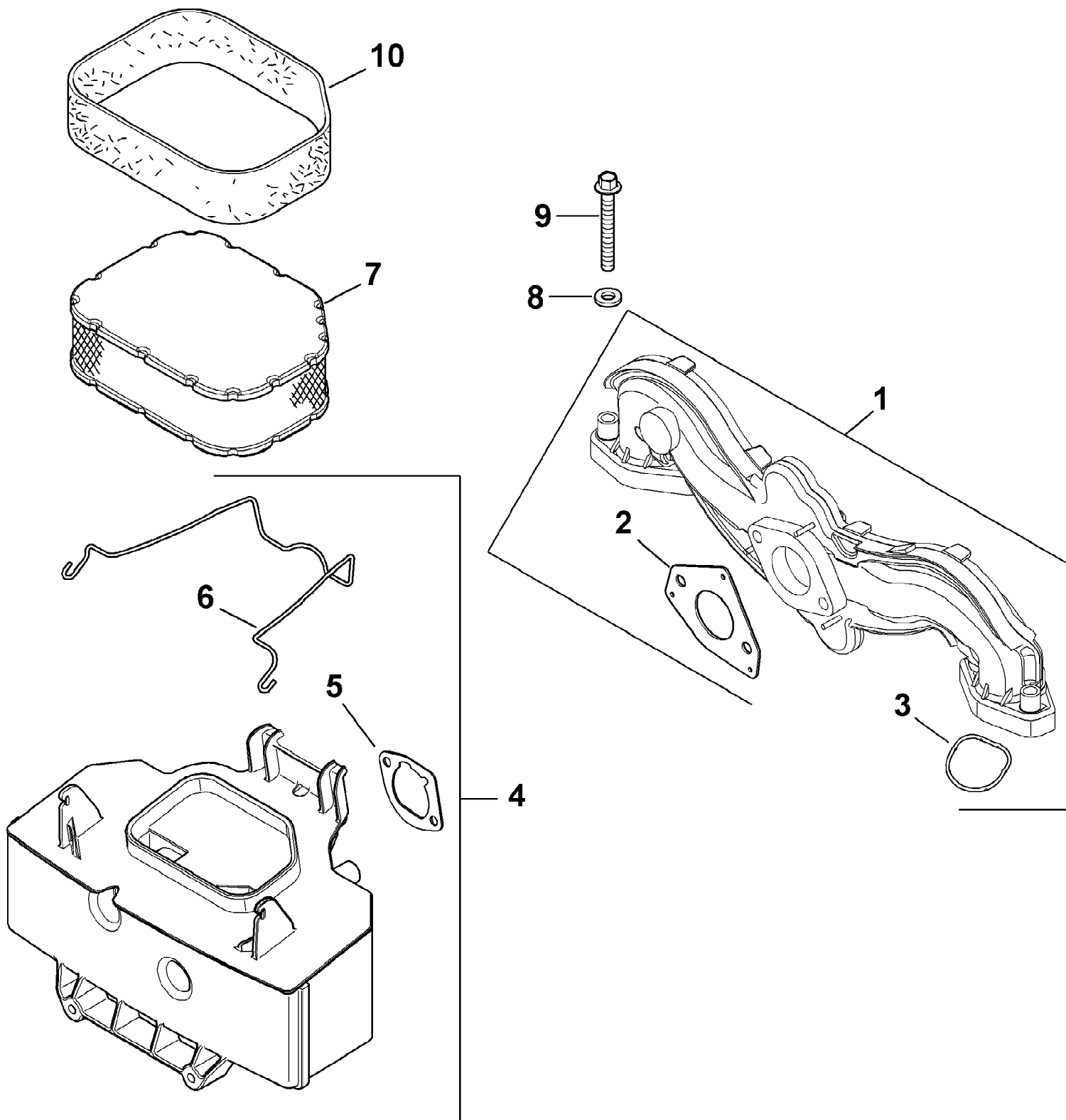
Ref #	Part Number	Qty	S/P/F	Description
1	KH-20-162-02-S	1		Screen, Grass
2	KH-25-086-125-S	1		Screw, Hex Flange
3	KH-20-146-05-S	1	/P	Plate, Fan Mounting
4	KH-20-157-01-S	1		Fan
5	KH-25-340-02-S	1		Key, Straight Flywheel
6	KH-237878	1	/P	Kit, 15 Amp Stator (Incl. KH-25-452-01-S - Not Shown)
7	KH-25-155-41-S	1	/P	Connect0R
8	KH-M-545020-S	4		Screw, Flg Thd Frm M5X.8X20
9	KH-41-403-10-S	1	/P	Regulator/Rectifier
10	KH-20-154-04-S	1		Clip, Wire
11	KH-M-548025-S	2	/P	Screw, Thd Frm M5X0.8X25
12	759-3336	1	/P	Plug, Spark (Std)
13	KH-20-584-03-S	1	/P	Module, Ignition (Cdi Fixed)
14	KH-M-545020-S	4		Screw, Flg Thd Frm M5X.8X20
15	KH-20-025-40-S	1	/P	Flywheel
16	KH-25-468-09-S	1		Washer, Flat
	KH-20-176-16-S	1		Harness, Wiring Not Shown
	KH-25-452-01-S	2		Terminal Not Shown
	KH-25-454-05-S	1		Tie Not Shown
	KH-20-237-01-S	1		Clamp, Cable Not Shown



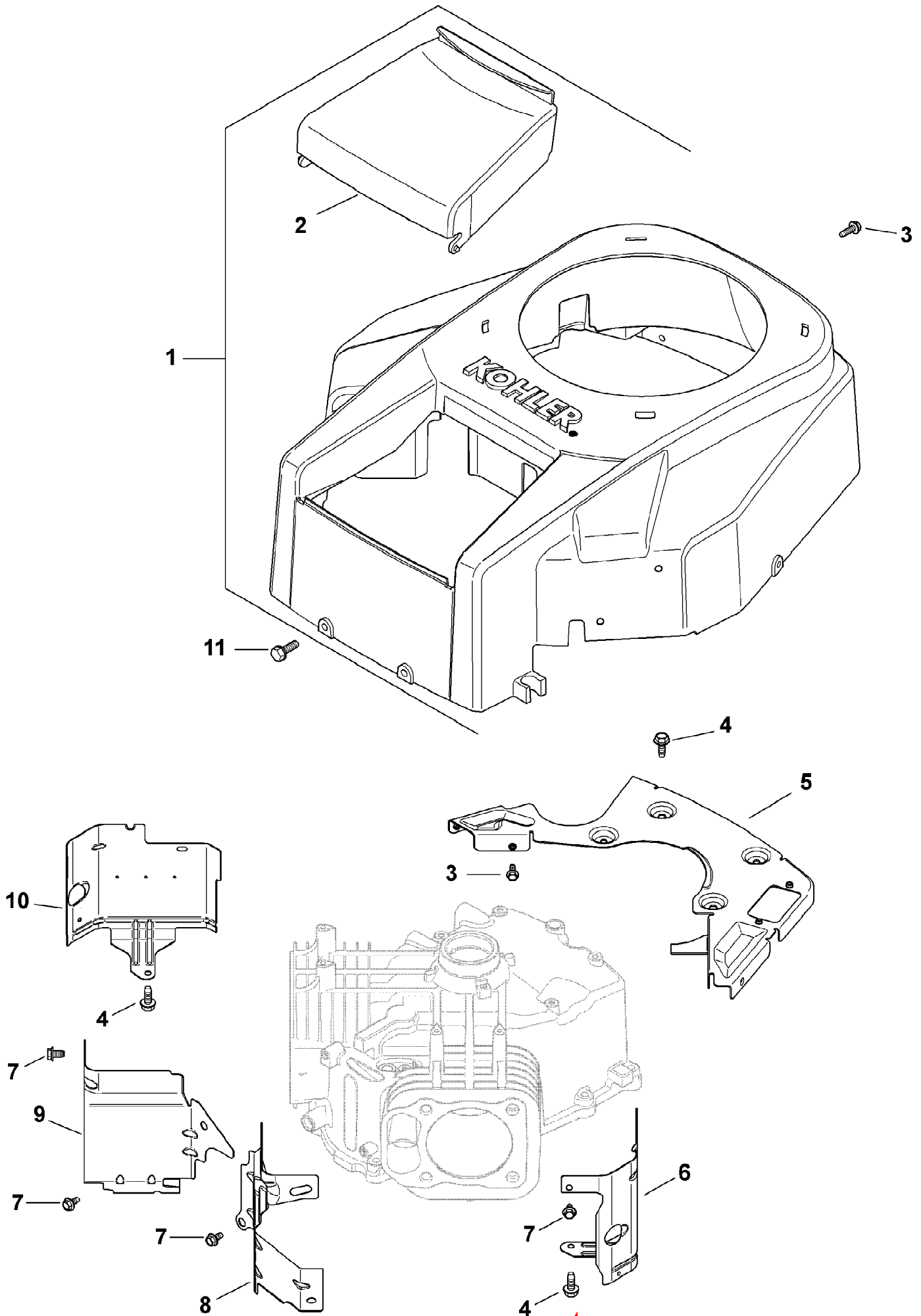
Ref #	Part Number	Qty	S/P/F	Description
1	KH-20-040-07-S	1	S	Dipstick Assembly-Gold (Incl. Ref No. 2)
2	KH-20-153-01-S	1		O-Ring
3	KH-20-009-10-S	1	/P	Kit, Closure Plate Assembly (Before S/N 3531400001) (Incl. Ref No. 7,8,9,10,11,12,13,14,15 & 16)
3	KH-20-009-30-S	1		Closure Plate Assembly (After S/N 3531400011) (Incl. Ref No. 7,8,9,10,11,12,13,14,15 & 16)
4	KH-25-139-60-S	1	/P	Plug, Ctsk Pipe 1/8"
5	KH-25-099-27-S	1	/P	Switch, Oil Pressure
6	KH-25-050-25-S	1	/P	Filter, Oil
7	KH-20-041-01-S	1	/P	Gasket, Closure Plate
8	KH-25-310-07-S	1	/P	Governor Gear Assembly (Incl. Ref No. 9)
9	KH-12-380-01	1	/P	Pin, Governor Regulating
10	KH-M-545013-S	1		Screw, Flg Thd Frm M5X0.8X13
11	KH-20-144-03-S	1		Shaft, Governor Cross
12	KH-20-096-02-S	1		Kit, Oil Passage Cover (Incl. Ref No. 13)
13	KH-20-041-02-S	1		Gasket, Oil Passage
14	KH-25-139-60-S	1	/P	Plug, Ctsk Pipe 1/8"
15	KH-25-155-02	1	/P	Connector, 90° Hose
16	KH-20-032-01-S	1	/P	Seal, Oil
17	KH-25-086-127-S	1		Hex Flange Screw, 1/2 Dog Point



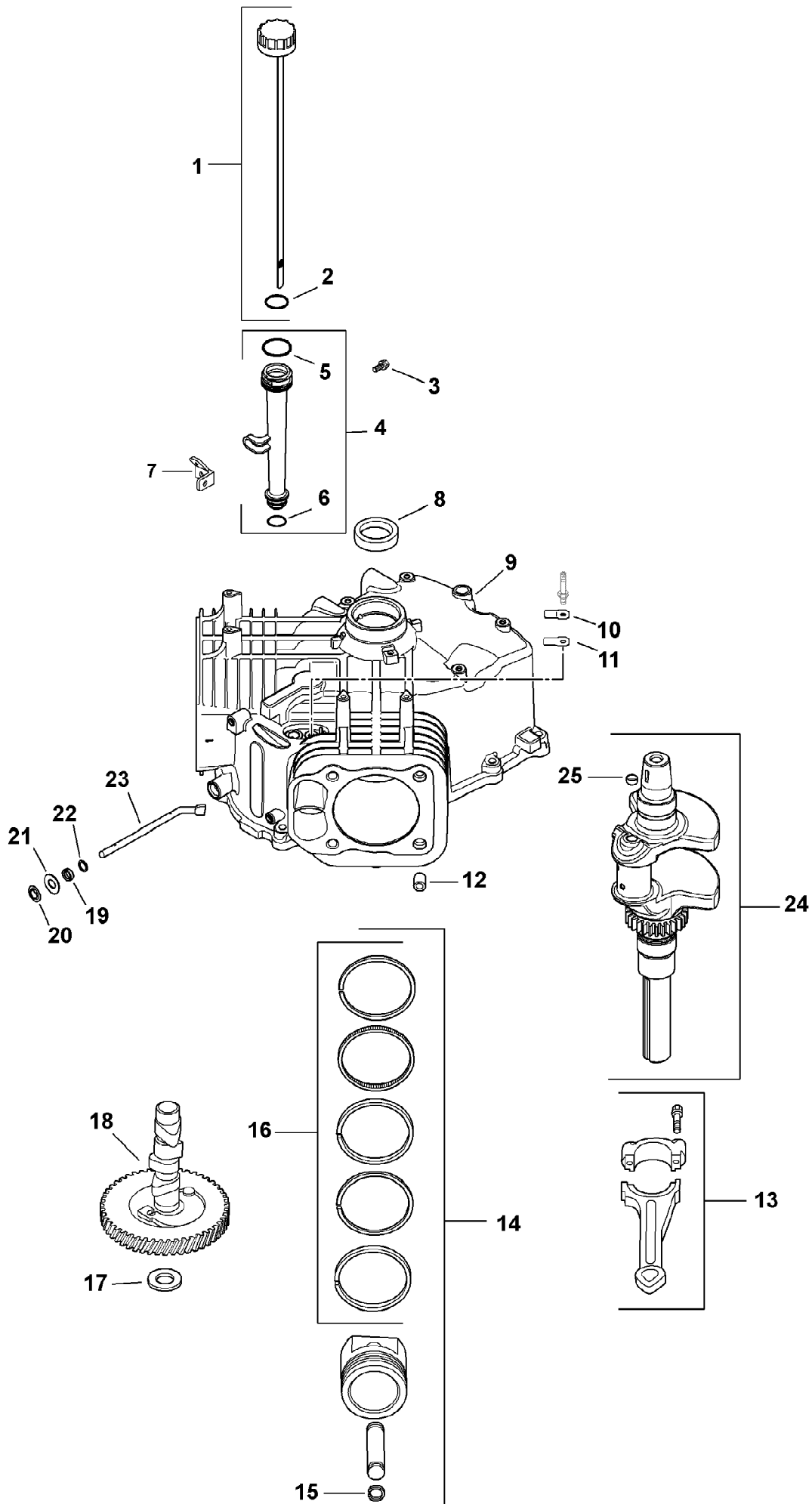
Ref #	Part Number	Qty	S/P/F	Description
1	KH-25-100-31-S	2		Nut, Free Spinning Flg #10-24
2	KH-20-755-12-S	1		Kit, Drive (J.E.)
3	KH-12-221-02-S	1		Brush Kit
4	KH-20-227-01-S	1		Cap, Drive End (J.E.)
5	KH-20-211-02-S	1		Bolt, Thru
6	KH-20-098-05-S	1	S	Starter Assembly (Incl. Ref No. 2,3,4 & 5)



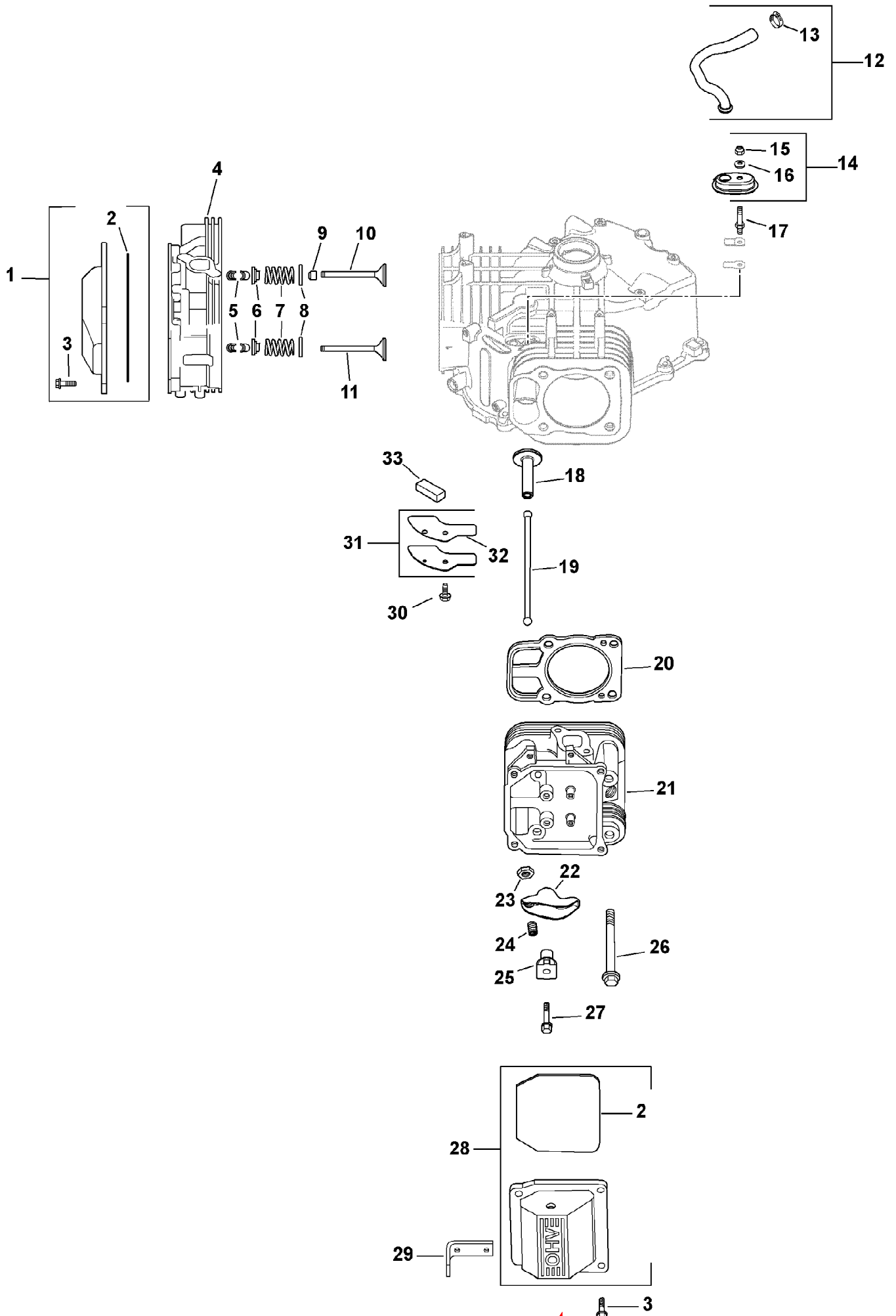
Ref #	Part Number	Qty	S/P/F	Description
1	KH-24-164-51-S	1	S	Manifold, Intake
2	KH-24-041-52-S	1	/P	Gasket, Carburetor
3	KH-24-153-27-S	1	/P	O-Ring, Intake Port
4	KH-32-094-04-S	1	/P	Base, Air Cleaner w/Gasket, Latch
5	KH-24-041-14	1	/P	Gasket, Air Cleaner Base
6	KH-32-344-02-S	1		Latch, Air Cleaner Element
7	KH-32-083-03-S	1	S	Element, Air Filter
8	KH-X-25-63	1	/P	Washer, Flat, 1/4
9	KH-M-651040-S	1		Screw, Flange, M6 x 1.0 x 40
10	KH-32-083-05-S	1	S	Pre-Cleaner, Element



Ref #	Part Number	Qty	S/P/F	Description
1	KH-32-027-03-S	1		Kit, Blower Hsng (Incl. Ref.2 & KH-41-037-10-S)
2	KH-32-096-08-S	1		Cover, Air Cleaner
3	KH-M-545016-S	1	/P	Screw, Flng Thrd. Frmng M5 x 0.8x 16
4	KH-M-645016-S	1	/P	Screw, Flng Thrd. Frmng M6 x 1.0 x 16
5	KH-32-146-05-S	1		Plate, Backing
6	KH-32-063-05-S	1		Baffle, Cyl. Barrel - #2 Side
7	KH-M-545010	1	S	Screw, Flng Thrd. Frmng M5 x 0.8x 10
8	KH-32-063-02-S	1		Baffle, Valley #2 Side
9	KH-32-063-03-S	1		Baffle, Valley #1 Side
10	KH-32-063-06-S	1		Baffle, Cylinder Barrel - #1 Side
11	KH-24-086-12	1		Screw, Tap, M6 x 1.7 x 18
	KH-41-037-10-S	1		Nameplate, Service Not Illustrated
	KH-32-113-20-S	1		Decal, Cub Not Illustrated



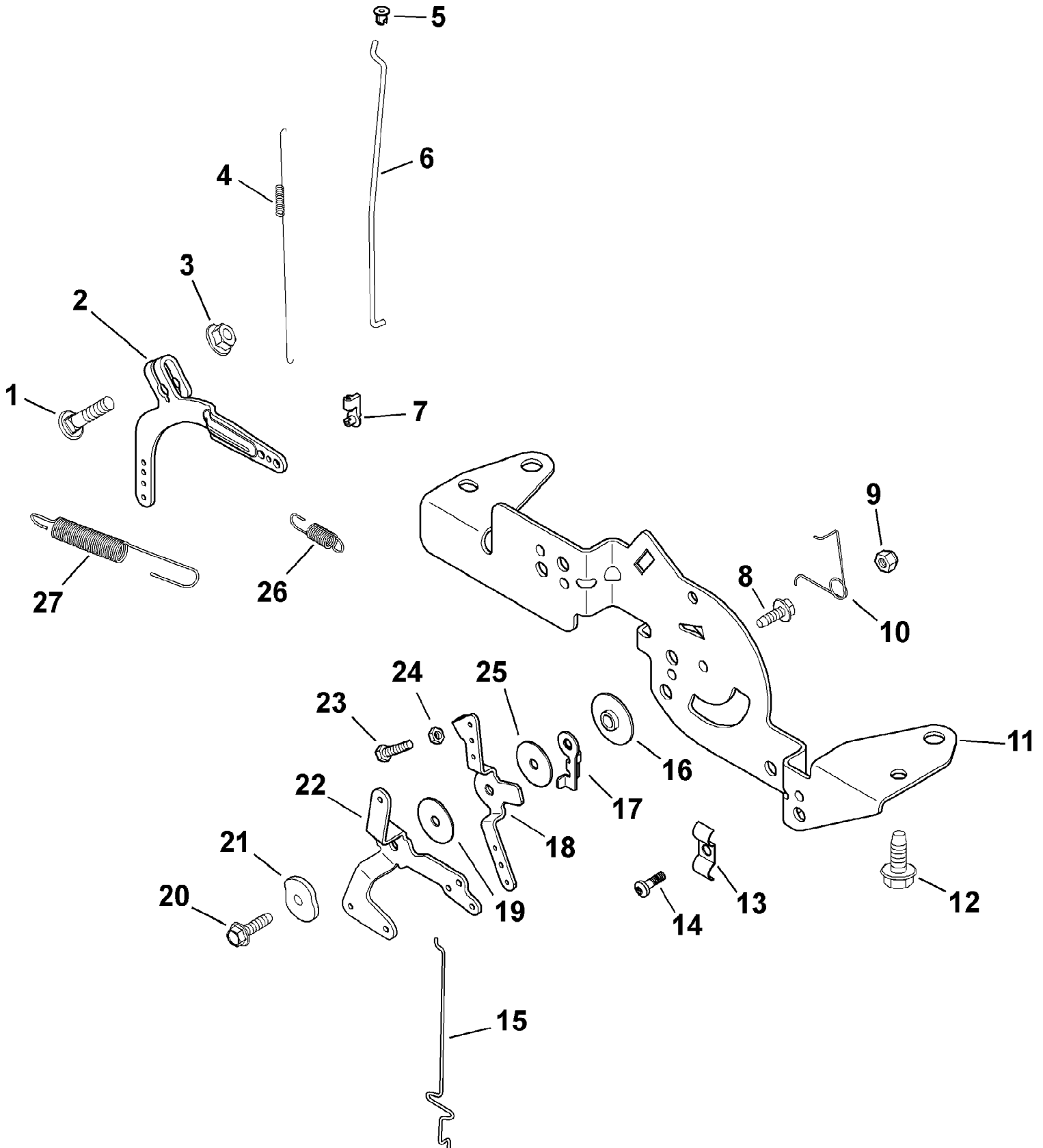
Ref #	Part Number	Qty	S/P/F	Description
1	KH-32-038-01-S	1	S	Dipstick Assembly (Incl. Ref.2)
2	KH-25-153-02-S	1		O-Ring, Dipstick
3	KH-M-545013-S	1		Screw, Flnge Thrd. Frmng M5 x .8 x 13
4	KH-12-123-04	1	S	Kit, Oil Fill Tube (Incl. Ref. 5,6)
5	KH-12-153-02-S	1	/P	O-ring, Upper Fill Tube
6	KH-12-153-01-S	1	/P	O-ring, Lower Fill Tube
7	KH-24-126-19	1		Bracket, Fill Tube
8	KH-24-032-01-S	1	S	Seal, Oil
9	N/A	1		Crankcase - Use Short Block
9	KH-32-522-03	1		Short Block
10	KH-24-018-04	1		Retainer, Breather Reed
11	KH-12-402-02	1		Reed, Breather
12	KH-24-380-16-S	1	/P	Pin, Locating
13	KH-24-067-24-S	1	S	Connecting Rod (Std.)
14	KH-32-874-06-S	1		Kit, Piston w/Ring Set (Std.)
14	KH-32-874-28-S	1		Kit, Piston w/Ring Set (.25)
14	KH-32-874-09-S	1		Kit, Piston w/Ring Set (.08)
15	KH-24-018-01-S	1	/P	Retainer, Piston Pin
16	KH-24-108-11-S	1	S	Ring Set (Std. & .08)
16	KH-24-108-06-S	1	S	Ring Set (.25)
17	KH-12-422-07-S	1	/P	Shim, Camshaft (White .028)
17	KH-12-422-08-S	1	/P	Shim, Camshaft (Blue .03)
17	KH-12-422-09-S	1	/P	Shim, Camshaft (Red .032)
17	KH-12-422-10-S	1	/P	Shim, Camshaft (Yellow .034)
17	KH-12-422-11-S	1	/P	Shim, Camshaft (Green .036)
17	KH-12-422-12-S	1	/P	Shim, Camshaft (Gray .038)
17	KH-12-422-13-S	1	/P	Shim, Camshaft (Black .04)
18	KH-32-012-01-S	1		Kit, Camshaft
19	KH-28-032-09-S	1		Seal, Governor Cross Shaft
20	KH-24-018-09-S	1		Retaining Ring
21	KH-M-931010-S	1		Washer, Flat, 9mm
22	KH-24-468-15-S	1		Washer, Flat, 11/32
23	KH-24-144-38-S	1	/P	Shaft, Governor Cross
24	KH-32-014-04-S	1	S	Crankshaft (Incl. Ref. 25)
25	KH-52-139-09-S	1	/P	Plug, Cup
	KH-SV710-0019	1		Engine, Complete Twin Not Shown i1046 Model 17AF



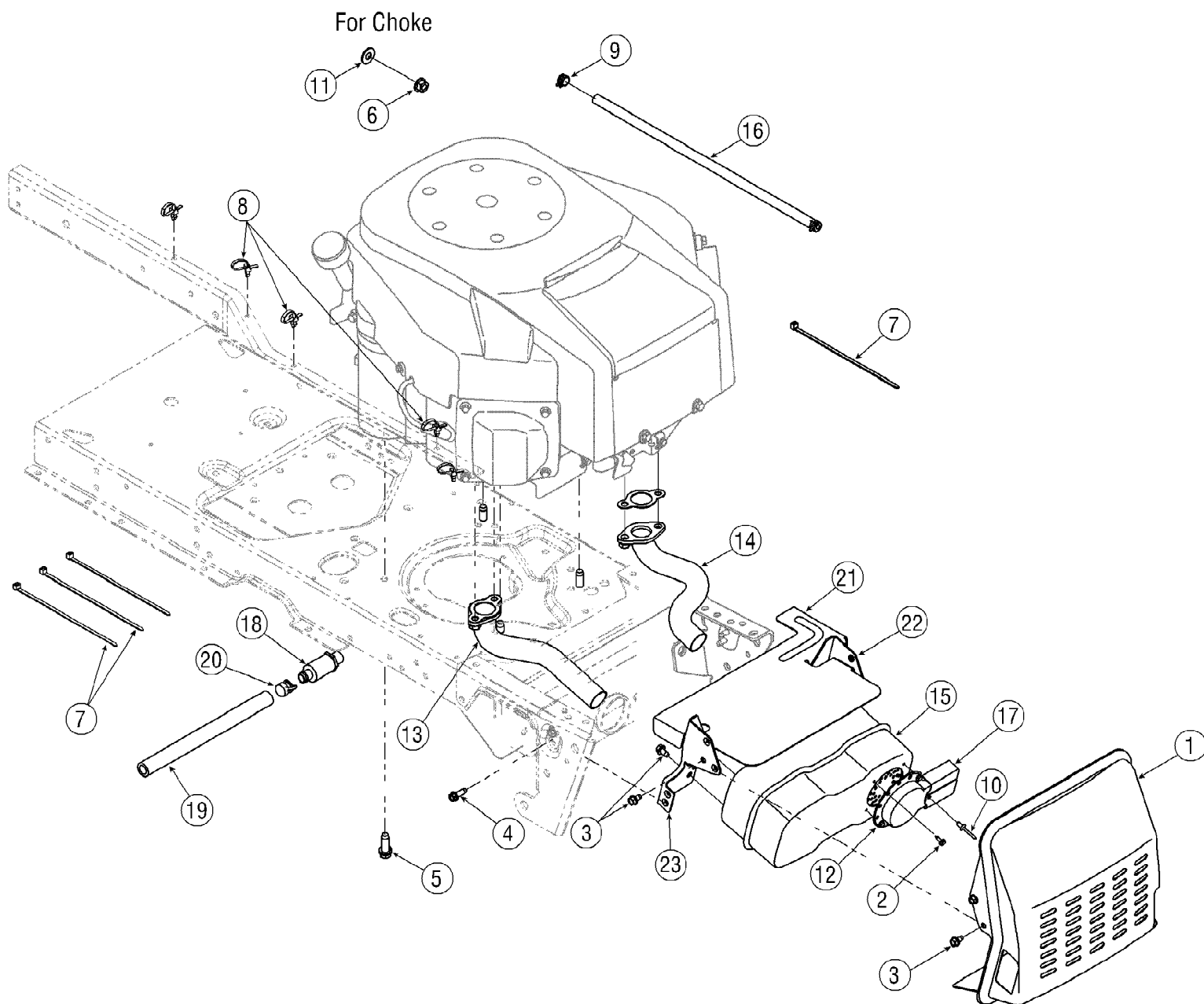
i1046 Tractor 2008 & After
Kohler SV710-0019 Cylinder Head Valve Breather

Page 58 of 93

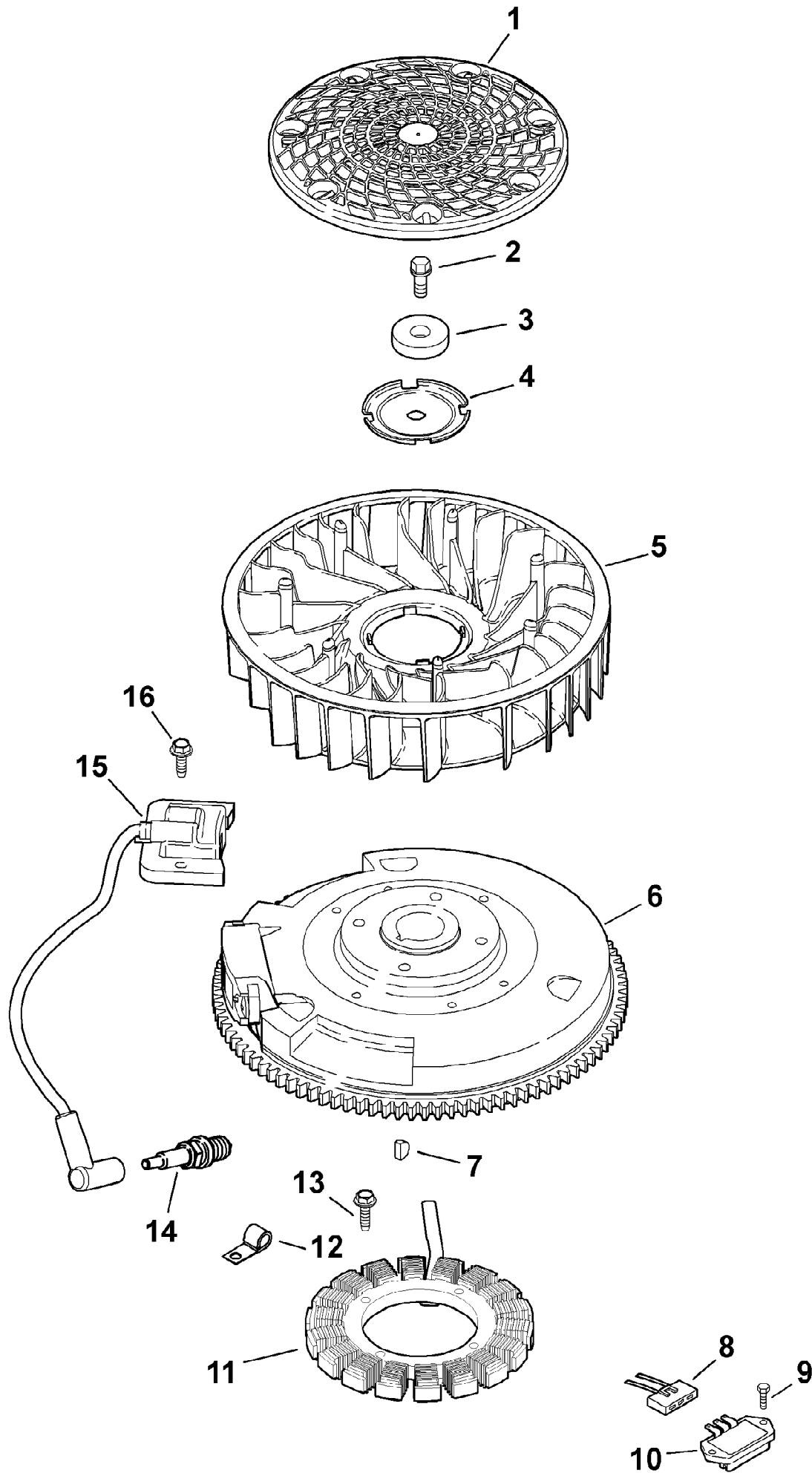
Ref #	Part Number	Qty	S/P/F	Description
1	KH-24-755-141-S	1	/P	Kit, Rocker Cover (Incl. Ref.2 & 4pc Ref. 3)
2	KH-24-153-28-S	1	S	O-Ring, Valve Cover
3	KH-M-651030-S	1		Screw, Flnge M6 x 1.0 x 30
4	KH-32-318-01-S	1	S	Kit, #1 Cylinder Head (Incl. 4pc Ref. 26 and KH-24-841-03-S)
5	KH-12-755-03	1	/P	Kit, Retainer
6	KH-12-173-01	1	/P	Cap, Valve Spring
7	KH-24-089-02	1	/P	Spring, Valve
8	KH-235011-S	1	/P	Retainer, Spring
9	KH-66-032-05-S	1	/P	Seal, Valve Stem
10	KH-24-017-01	1	/P	Valve, Intake (Std.)
11	KH-24-016-01	1	/P	Valve, Exhaust (Std.)
12	KH-32-326-04-S	1		Kit, Breather Hose, (Incl. 1pc Ref. 13)
13	KH-25-237-14-S	1	/P	Clamp, Hose
14	KH-32-081-02-S	1		Kit, Breather Housing (Incl. 15,16)
15	KH-M-547050-S	1		Nut, Lock, M5 x 0.8
16	KH-32-468-01-S	1		Washer, Sealing
17	KH-32-072-02-S	1		Stud, Breather Cover
18	KH-32-019-01-S	1	S	Kit, Tappet
19	KH-32-411-02-S	1	/P	Rod, Push
20	KH-24-841-03-S	1	/P	Kit, Cylinder Head Gasket (Incl. Head Mtg.Hardware & KH-24-041-49-S & KH-24-152-27-S)
21	KH-32-318-02-S	1	S	Kit, #2 Cylindre Head (Incl. 4pc Ref. 26 and KH-24-841-03-S)
22	KH-32-186-02-S	1	S	Arm, Rocker
23	KH-32-100-04-S	1		Nut, M10 x 0.75
24	KH-32-086-03-S	1		Screw, Set
25	KH-24-599-02-S	1	/P	Pivot, Rocker Arm
26	KH-12-086-16	1	S	Screw, Flange, M10 x 1.5 x 90
27	KH-32-086-04-S	1	/P	Screw, Flange, M6 x 1.0 x 45
28	KH-32-096-06-S	1		Kit, Breather Valve Cover (Incl. 1pc Ref.2)
29	KH-24-445-01	1	S	Strap, Lifting
30	KH-M-645016-S	1	/P	Screw, Flnge Thrd. Frmng M6 x 1.0 x 16
31	KH-32-096-04-S	1		Kit, Breather Cover (Incl. Ref. 32)
32	KH-32-041-01-S	1		Gasket, Breather Cover
33	KH-32-050-01-S	1		Filter, Breather
	KH-24-041-49-S	1	/P	Gasket, Exhaust Not Illustrated
	KH-24-153-27-S	1	/P	O-Ring Not Illustrated



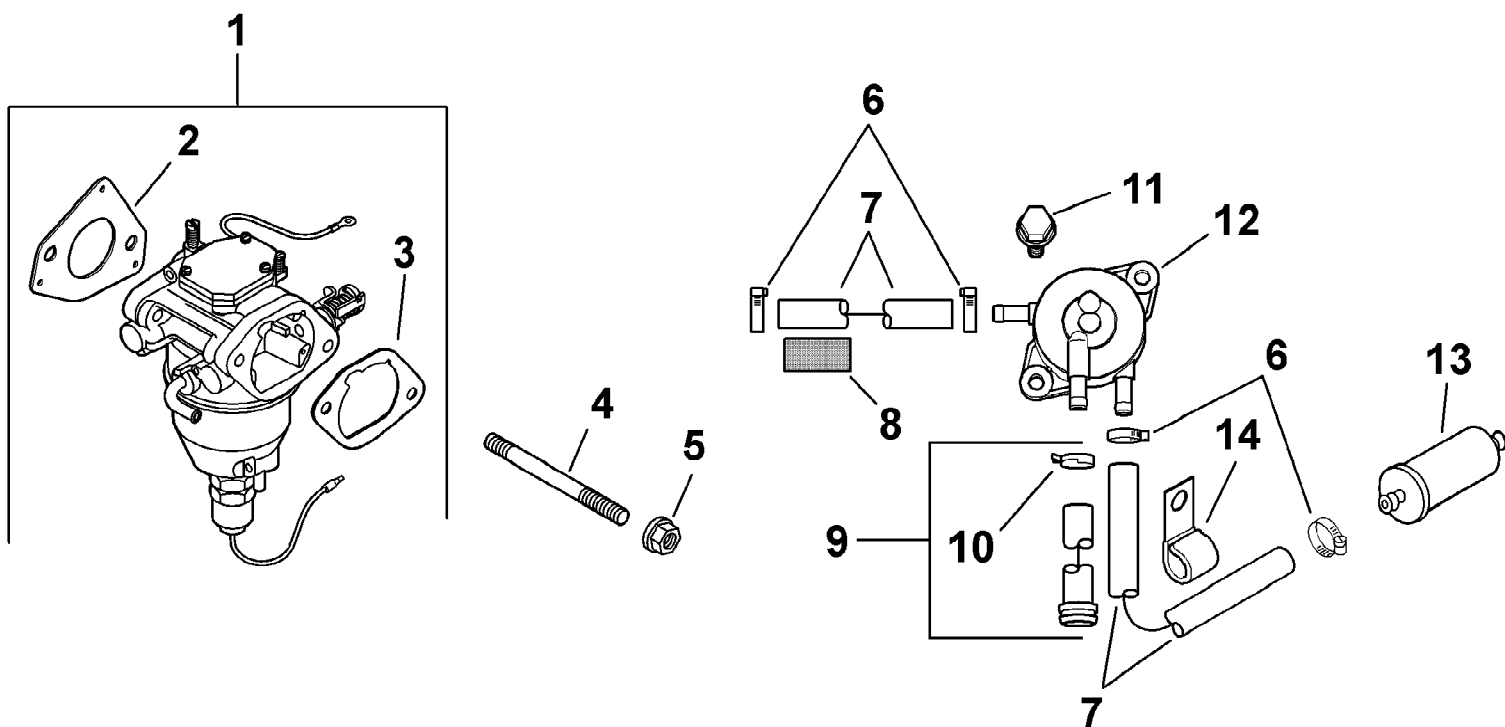
Ref #	Part Number	Qty	S/P/F	Description
1	KH-24-211-03-S	1		Bolt, Carriage, M6 X 1.0 X 25
2	KH-24-090-33-S	1	S	Lever, Governor
3	KH-M-641060-S	1	/P	Nut, Flange, M6 x 1.0
4	KH-24-089-01	1		Spring, Linkage
5	KH-25-158-08	1	/P	Bushing, Linkage Retainer
6	KH-24-079-04	1		Linkage, Throttle
7	KH-25-158-11	1	/P	Bushing, Throttle Linkage
8	KH-M-545016-S	1	/P	Screw, Flng. Thrd. Frmng, M5 x 0.8 x 16
9	KH-M-547050-S	1		Nut, Lock, M5 x 0.8
10	KH-24-089-03	1		Spring, Choke Return
11	KH24-126-161-S	1		Bracket, Control
12	KH-M-645016-S	1	/P	Screw, Flng Thrd. Frmng M6 x 1.0 x 16
13	KH-47-237-02	1	S	Clamp, Dual Conduit
14	KH-24-086-43-S	1		Screw, Torx Hd. Ctsk, M5 x 0.8 x 16
15	KH-24-079-22-S	1		Linkage, Choke
16	KH-24-112-27-S	1		Spacer, Control Assembly
17	KH-24-090-47-S	1		Lever, Throttle Actuator
18	KH-24-090-13	1		Lever, Throttle Control
19	KH-24-468-01	1		Washer, Flat, 5.5mm
20	KH-M-545020-S	1		Screw, Flng. Thrd. Frmng, M5 x 0.8 x 20
21	KH-41-468-03	1		Washer, Spring, 1/4
22	KH-24-090-05	1		Lever, Choke
23	KH-M-403025	1		Screw, Hex Cap, M4 x 0.7 x 25
24	KH-M-446030-S	1	/P	Nut, M4 x 0.7
25	KH-24-468-20-S	1		Washer, Flat, 5mm
26	KH-24-089-55-S	1		Spring, Governor
27	KH-24-089-18	1	/P	Spring, Governor, Model i1046 ONLY
27	KH-24-089-25-S	1	/P	Spring, Governor, Model i1050 ONLY



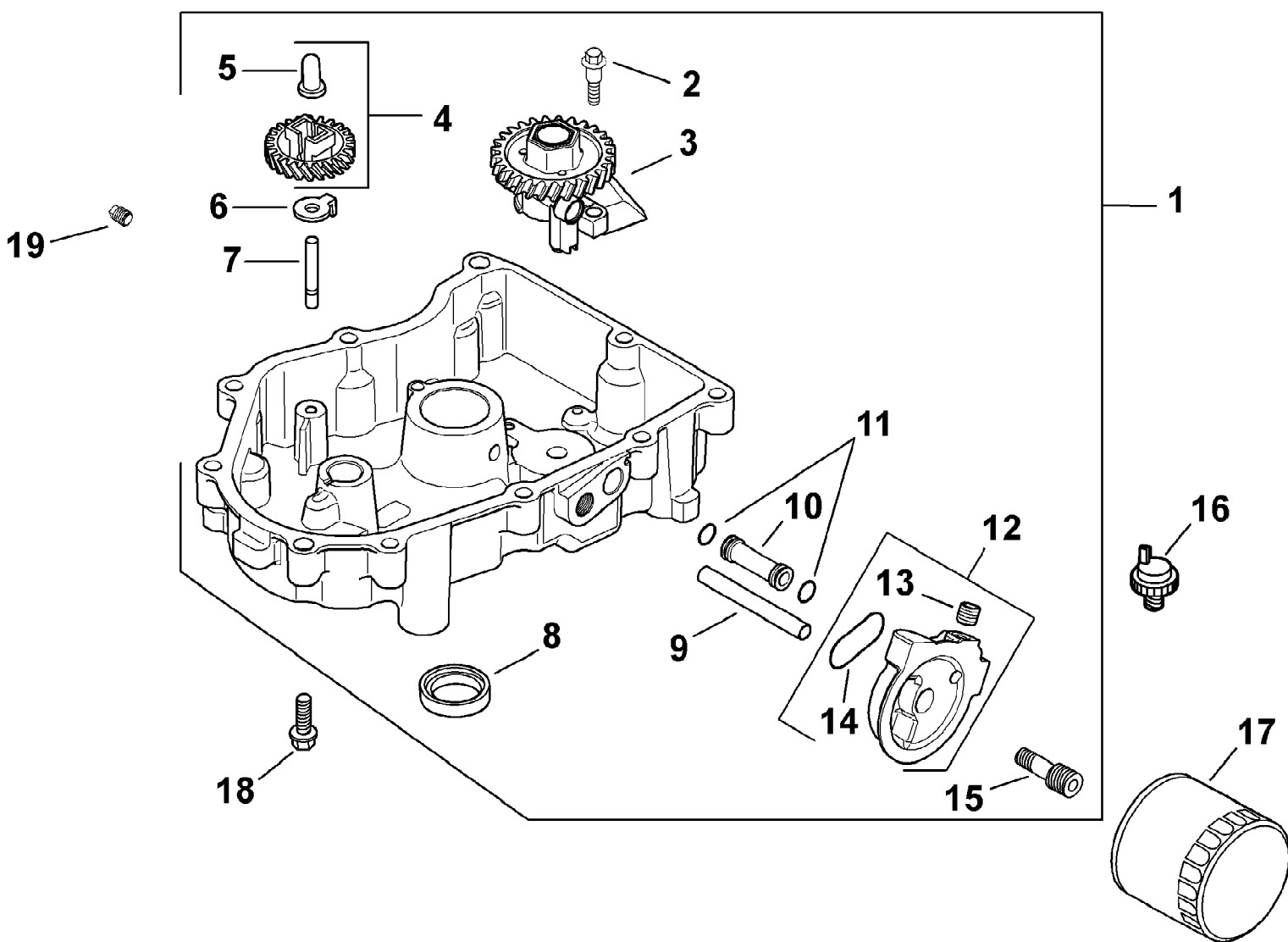
Ref #	Part Number	Qty	S/P/F	Description
1	683-04256	1	S	Shield, Muffler
2	710-0227	1	/P	Screw, Hex Wash Hd. Tapp, #8-18 x .5
3	710-0599	1	/P	Screw, Hex Wash Hd. Tapp, 1/4-20 x .5
4	710-0642	1	/P	Screw, Hex Wash Hd. Tapp, 1/4-20 x .75
5	710-0654A	1	/P	Screw, Hex Sems Tapp, 3/8-16 x 1.0
6	712-3005	1	S	Nut, Hex Flange Lock, 3/8-16 Gr5
7	725-0157	1	/P	Tie, Cable
8	726-0154	1	S	Tie, Push Mount Cable
9	726-0205	1	/P	Clamp, Hose
10	728-04000	1		Rivet, Pop, .188 x .3
11	736-0300	1	S	Washer, Flat, .406 x .875 x .059
12	751-0564B	1	/P	Deflector, Muffler
13	751-10006	1		Pipe, Exhaust RH
14	751-10007	1		Pipe Exhaust LH
15	751-10161	1		Muffler, Dual Inlet
16	751-10349	1		Hose, Fuel ; Low Permeation, 51 inches
17	751-10353	1		Deflector, Muffler
18	751-3140	1	S	Valve, Oil Drain
19	751-3141	1	S	Hose, Oil Drain Extension
20	751-3142	1		Cap, Drain Valve
21	783-04783	1	S	Shield, Heat
22	783-04870	1	S	Bracket, Muffler LH
23	783-04872	1	S	Bracket, Muffler RH
	737-3030A	1	/P	Oil, 10W30 Engine, Cub Cadet Not shown



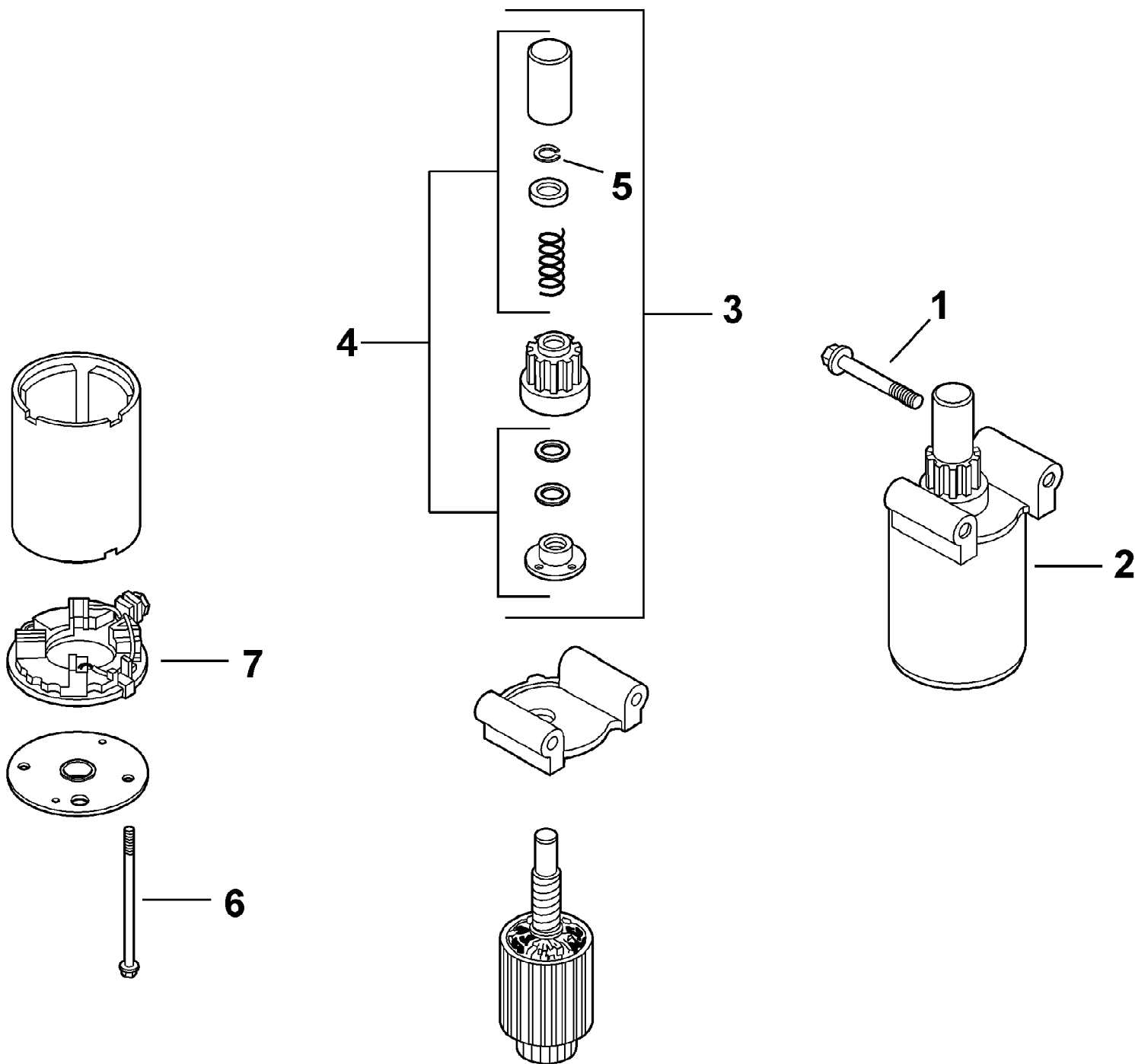
Ref #	Part Number	Qty	S/P/F	Description
1	KH-32-162-03-S	1		Screen, Grass
2	KH-12-086-14	1		Screw, Flange, M10 x 1.5 x 45
3	KH-12-468-03	1	/P	Washer, Flat 13/32
4	KH-20-146-02-S	1	S	Plate, Fan Mounting
5	KH-32-157-01-S	1		Fan
6	KH-32-025-08-S	1	S	Flywheel
7	KH-X-42-15	1	/P	Key, 3/16 x 5/8
8	KH-236602-S	1	S	Connector (3 Contact)
9	KH-M-551016-S	1		Screw, Flange, M5 x 0.8 x 16
10	KH-41-403-09	1	S	Rectifier-Regulator
11	KH-237878	1	/P	Kit, 15 Amp Stator
12	KH-235173	1		Clip, Cable
13	KH-M-548025-S	1	/P	Screw, Thrd. Frmng M5 x 0.8x 25
14	759-3336	1	/P	Plug, Spark
15	KH-24-584-45-S	1	/P	Module, Ignition
16	KH-M-545020-S	1		Screw, Flnge Thrd. Frmng M5 x 0.8x 20
	KH-25-454-03-S	1		Tie, Wire Not Illustrated
	KH-32-176-02-S	1	S	Harness, Wiring Not Illustrated



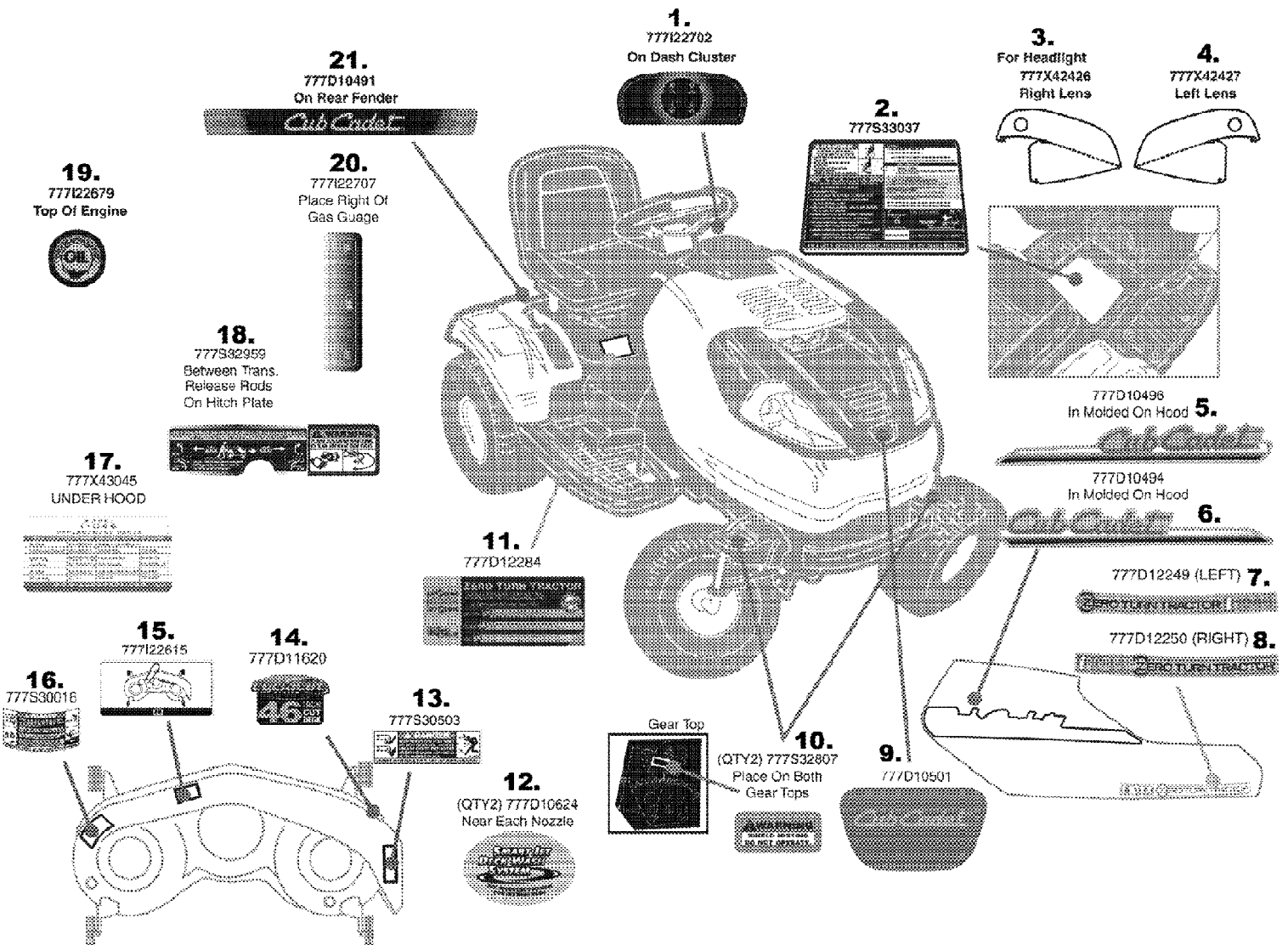
Ref #	Part Number	Qty	S/P/F	Description
1	KH-32-853-03-S	1	S	Kit, Carburetor (Incl. 2-3) Model i1046 ONLY
1	KH-32-853-04-S	1	S	Kit, Carburetor (Incl. 2-3) Model i1050 ONLY
2	KH- 24-041-52-S	1		Gasket, Carburetor
3	KH-24-041-14	1	/P	Gasket, Air Cleaner Base
4	KHM-629105-S	1		Stud, M6 x 1.0 x 106
5	KH-M-641060-S	1	/P	Nut, Flange, M6 x 1.0
6	KH-25-237-14-S	1	/P	Clamp, Spring Hose 1/2
7	KH-25-111-34-S	1		Line, Fuel (24"- Cut to Length
8	KH-25-431-10-S	1		Sleeve, Anti Abrasion
9	KH-32-326-02-S	1	S	Kit, Fuel Pump Hose w/Clamp (Incl. 10)
10	KH-25-237-01-S	1		Clamp, Hose
11	KH-24-086-12	1		Screw, Tap, M6 x 1.7 x 18
12	KH-24-393-16	1	/P	Pump, Fuel
13	KH-25-050-22-S	1	S	Filter, Fuel
14	KH-47-154-01-S	1	/P	Clip, Cable
	KH-24-086-05	1		Screw, Throttle Stop - Model i1046 ONLY Not Illustrated
	KH-X-25-63	1	/P	Washer, Flat, 1/4 Not Illustrated
	KH-24-757-36-S	1		Service Kit, Choke Repair Not Illustrated
	KH-24-757-38-S	1		Service Kit, Gasket Not Illustrated
	KH-24-757-44-S	1		Kit, Float Repair Not Illustrated
	KH-24-757-45-S	1	/P	Kit, Solenoid Valve Repair Not Illustrated
	KH-24-757-46-S	1	/P	Kit, Carburetor Overhaul Repair Not Illustrated



Ref #	Part Number	Qty	S/P/F	Description
1	KH-32-199-02-S	1	S	Pan Assembly, Oil (Incl. Ref. 2-15)
2	KH-32-086-01-S	1		Screw, Flnge Thrd. Frmng M6 x 1.0 x 26.5
3	KH-32-393-10-S	1	/P	Pump Assembly, Oil
4	KH-24-043-12	1	/P	Kit, Governor Gear w/Pin (Incl. Ref. 5)
5	KH-12-380-01	1	/P	Pin, Governor Regulating
6	KH-24-448-02-S	1		Tab, Locking
7	KH-12-144-02	1		Shaft, Governor Gear
8	KH-52-032-08-S	1	S	Seal, Oil (PTO End)
9	KH-32-123-01-S	1		Tube, Oil Feed - Filter to Pan
10	KH-32-123-03-S	1		Tube, Oil Feed - Pan to Filter
11	KH-24-153-01	1	/P	O-Ring, Oil Pick-up
12	KH-32-029-07-S	1	S	Kit, Oil Filter Adapter
13	KH-25-139-60-S	1	/P	Plug, Pipe, 1/8
14	KH-32-153-04-S	1		O-Ring, Oil Filter Adapter
15	KH-32-136-03-S	1		Nipple, Oil Filter
16	KH-25-099-27-S	1	/P	Switch, Oil Pressure
17	KH-52-050-02-S	1	/P	Filter, Oil
18	KH-24-086-17-S	1	/P	Screw, Flange, M8 x 1.25 x 45
19	KH-25-139-57-S	1	/P	Plug, Sq. Hd. Pipe, 3/8 NOT USED- Re-placed by Oil Drain Valve



Ref #	Part Number	Qty	S/P/F	Description
1	KH-M-839080	1	S	Screw, Flange, M8 x 1.25 x 80
2	KH-32-098-01-S	1	S	Starter Assembly
3	KH-12-755-39-S	1		Kit, Drive
4	KH-12-755-38-S	1		Kit, Drive Parts (Incl. Ref. 5)
5	KH-32-141-01-S	1		Ring, Retaining Ring
6	KH-32-211-01-S	1		Bolt, Thur
7	KH-12-243-04-S	1		Commutator, End Cap



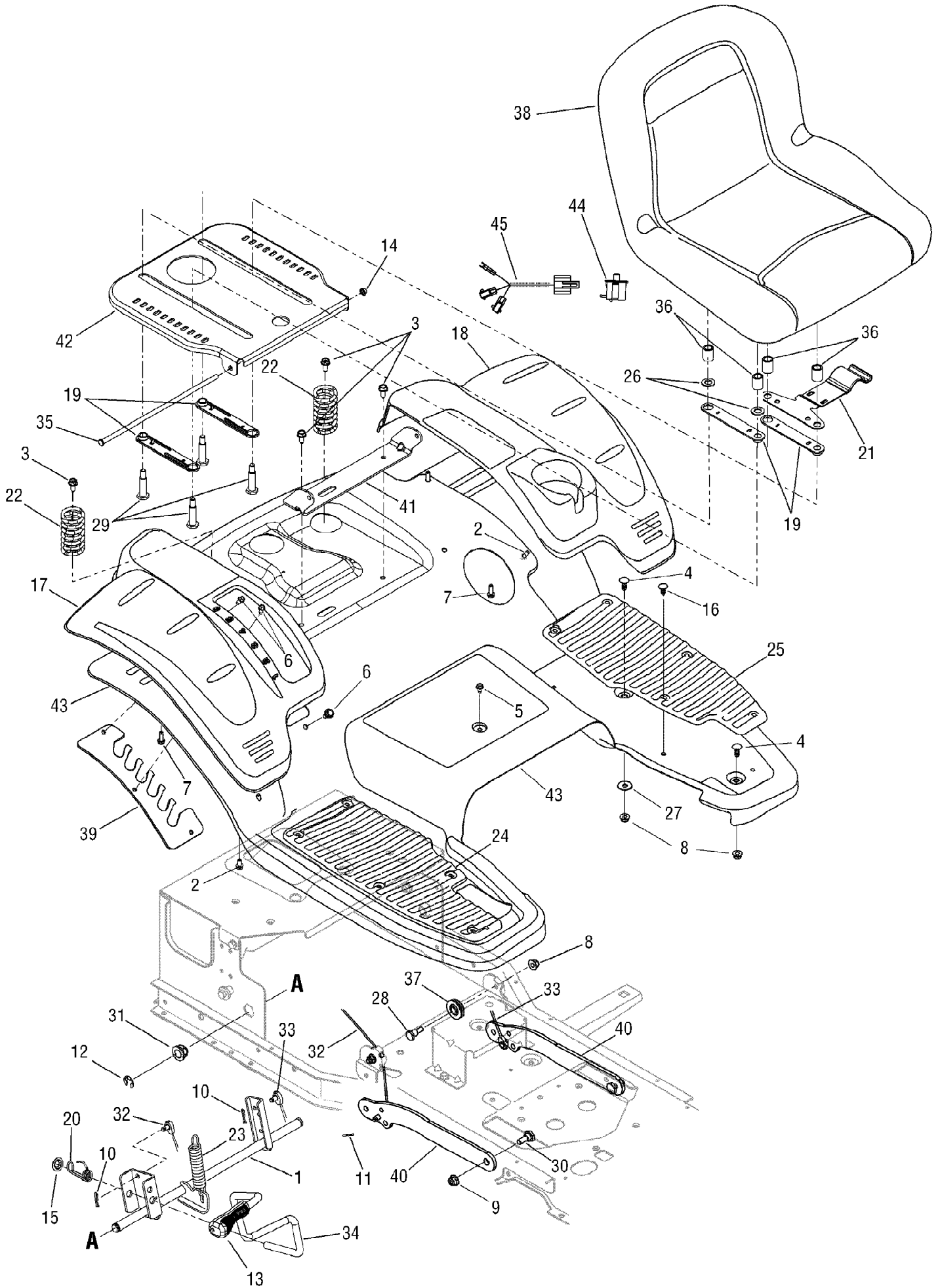
Ref #	Part Number	Qty	S/P/F	Description
1	777I22702	1		LABEL-RIDER:DASH CUB Z1000
2	777S33037	1		LABEL-ZTT TRANSMISN CVR
3	777X42426	1		LABEL-RIDER:RT51:LENS DR LFT
4	777X42427	1		LABEL-RIDER:RT51:LENS DR RT
5	777D10496	1		LABEL-RIDER:HOOD TIME SAVERZ LT
6	777D10494	1		LABEL-RIDER:HOOD TIME SAVERZ RT
7	777D12249	1		LABEL-ZTT I1046 LH SIDE
8	777D12250	1		LABEL-ZTT I1046 RH SIDE
9	777D10501	1		LABEL-RIDER:FUEL LEVEL IND CUB
10	777S32807	1		LABEL-SAFETY:I1000 SHIELD
11	777D12284	1		LABEL-ZTT INFO
12	777D10624	1		LABEL-RIDER:DECK WASH CUB
13	777S30503	1	/P	LABEL-DANGER CHUTE
14	777D11620	1		LABEL-CYCLO CUT 46" BLUE
15	777I22615	1		LABEL-BELT ROUTE
16	777S30018	1	/P	LABEL-DECK SAFETY
17	777X43045	1		LABEL-RIDER PARTS LIST ZTT I1046
18	777S32959	1		LABEL-SAFETY I1000 TRANS RELEASE
19	777I22679	1		LABEL-CHECK ENG OIL
20	777I22707	1		LABEL-RIDER:FUEL LEVEL IND CUB
21	777D10491	1		LABEL-RIDER:FENDER TIME SAVERZ

Ref #	Part Number	Qty	S/P/F	Description
1	918-0660	1	S	Spindle Assembly
2	683-0254B	1	/P	Bracket, Deck Hanger, LH
3	683-04335	1	S	Deck Assembly
4	710-0347	1	/P	Screw, Hex Cap, 3/8-16 x 1.75 Gr5
5	710-04484	1		Screw, Hex Wash. Hd. Tapp, 5/16-18 x .75
6	710-0528	1	/P	Screw, Hex Cap, 5/16-18 x 1.25 Gr5
7	710-0599	1	/P	Screw, Hex Wash. Hd. Tapp, 1/4-20 x .5
8	710-1260A	1	/P	Screw, Hex Wash. Hd. Tapp, 5/16-18 x .75
9	710-3015	1	/P	Screw, Hex Cap, 1/4-20 x .75 Gr5
10	710-3103	1	/P	Screw, Hex Cap, 5/16-18 x 2.0 Gr5
11	712-0206	1	S	Nut, Hex, 1/2-13 Gr5
12	712-04063	1	/P	Nut, Hex Flange Insert Lock, 5/16-18 GrF
13	712-04065	1	/P	Nut, Hex Flange Insert Lock, 3/8-16 GrF
14	712-0417A	1	/P	Nut, Hex Flange, 5/8-18
15	712-0641	1	S	Nut, Hex, M16-1.5
16	712-3006	1	/P	Nut, Hex, 1/4-20 Gr5
17	712-3010	1	S	Nut, Hex, 5/16-18 Gr5
18	712-3083	1	/P	Nut, Hex Insert Lock, 1/2013
19	714-0111	1	S	Pin, Cotter, 3/32 x 1.0
20	714-0162	1	/P	Pin, Cotter, 5/32 x 1.25
21	715-0108	1	/P	Pin, Spring, 1/4 x 1.0
22	717-04074	1	S	Gear, Deck Adjust
23	721-04041	1	S	Adapter, Water Nozzle
24	726-0233	1	/P	Nut, Push, .25 x .5
25	726-0269	1		Nut, Push On Speed, 3/8 Thrd.
26	731-05679	1		Roller, Front
27	732-0306A	1	S	Spring, Compression, .531 x 1.75
28	732-0594A	1	S	Spring, Extension, .91 x 7.33
29	732-0826A	1	/P	Spring, Extension, .865 x 4.68
30	734-04155	1		Wheel, Deck Ball, 5.0
31	736-0100	1	/P	Washer, Flat, .531 x 1.25 x .036
32	736-0119	1	S	Washer, Lock, 5/16
33	736-0225	1	/P	Washer, Internal Tooth Lock, 5/8
34	736-0247	1	/P	Washer, Flat, .406 x 1.25 x .157 HT
35	736-0270	1	/P	Washer, Belleville, .265 x .75 x .062
36	737-04003C	1	S	Nozzle, Deck Wash
37	738-04162a	1	/P	Spacer, Shoulder, .884 x .190
38	738-04235	1	S	Shaft, 1/2 Dia x 20.8
39	738-3056	1	S	Bolt, Shoulder, .496 x 2.5:3/8-16
40	942-04124	1	/P	Blade, 3 in 1 Star, 14.88
41	942-04125	1	/P	Blade, 3 in 1 Star, 16.28
42	747-1116	1	/P	Rod, Deck Release
43	747-1130B	1	/P	Rod, Deck Front Hanger
44	750-1206	1		Spacer, .542 x .75 x .5
45	754-04153	1		V-Belt, Type A x 122
46	756-04129	1	S	Pulley, Idler, 4.25 Dia
47	756-0627D	1	/P	Pulley, Idler, 3.5 Dia.
48	783-0141	1		Skirt, Deck Center
49	783-0142	1	S	Skirt, Deck RH
50	783-05118	1	/P	Bracket, Idler
51	783-05397	1	S	Bracket, Roller Height
52	783-05463	1		Bracket, Idler Support
53	783-0747B	1	/P	Cover, Deck Belt LH

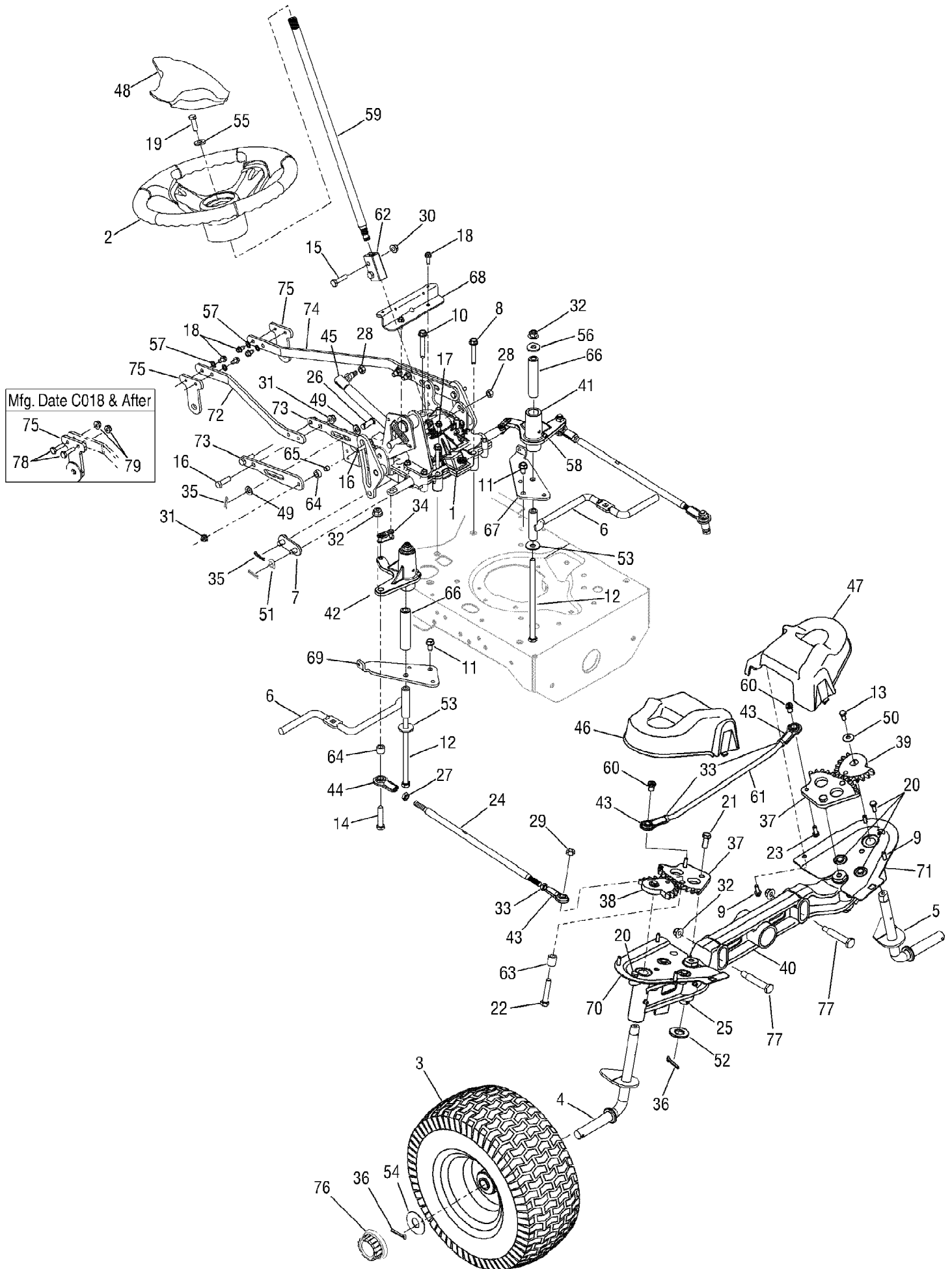
Ref #	Part Number	Qty	S/P/F	Description
54	783-0805C	1	/P	Cover, Deck Belt RH
55	710-0134	1	/P	Screw, Carriage, 1/4-20 x .62 Gr2
56	712-3087	1	/P	Nut, Wing, 1/4-20
57	731-05264	1		Plug, Mulching
58	756-1188	1		Pulley, Deck, 5.75 Dia
59	750-0952	1		Spacer, .792 x 1.06 x 1.8
60	741-0919	1	S	Bearing, Ball
61	738-1186	1	S	Shaft, Spindle, 6.05 Lg
62	737-3000	1	S	Fitting, Lube
63	619-0042A	1	/P	Housing, Spindle
64	17983	1		Shield, Bearing
65	931-1032B	1	/P	Chute Assembly, Discharge
65	703-1693A	1	/P	Bracket, Hinge Mounting Not shown
65	711-0792	1	S	Pin, Hinge, .25 x 6.75 Not shown
65	726-0106	1	S	Nut, Push Cap Speed, 1/4 Not shown
65	732-0602A	1	/P	Spring, Torsion Not shown
66	783-0720C	1	/P	Bracket, Front Deck Rod
67	711-0332	1	S	Pin, Clevis, .5 x .78
68	714-04023	1	S	Pin, Internal Cotter



Ref #	Part Number	Qty	S/P/F	Description
	759-3336	1	/P	Spark Plug
	KH-32-883-03-S1	1	/P	Air Filter & Pre-Cleaner - Twin Cylinder SV710
	KH-20-883-02-S1	1	/P	Air Filter & Pre-Cleaner - Single Cylinder SV600
	KH-52-050-02-S	1	/P	Oil Filter
	KH-25-050-22-S1	1	/P	Fuel Filter
	KH-24-584-45-S	1	/P	Ignition Module - Twin Cylinder SV710
	KH-20-584-03-S	1	/P	Ignition Module - Single Cylinder SV600
	KH-41-403-09	1	S	Voltage Regulator
	KH-24-393-16	1	/P	Fuel Pump
	KH-24-757-46-S	1	/P	Carb Kit
	KH-24-757-45-S	1	/P	Carburetor Solenoid
	954-04134	1	/P	Drive Belt (Hydo Trans)
	N/A	1		P.T.O. Belt
	754-04153	1		Deck Belt
	942-04125	1	/P	Blades (Out Side)
	942-04124	1	/P	Blade (Center)
	712-0417A	1	/P	Blade Nut
	918-0660	1	S	Spindle Asm Drive w/Pulley
	734-04155	1		Deck Wheels (Front)
	N/A	1		Roller (Front)
	731-05679	1		Roller (Back) (Qty. 3)
	921-04041	1	/P	Water Nozzle Adapter
	723-04035	1		Ball Joints (RH Thrd)
	723-04036	1		Ball Joints (LH Thrd)
	725-04363	1		Brake Switch
	751-10703	1	S	Fuel Cap
	725-04439	1		Solenoid
	725-2054	1	S	Ignition Key
	925-04227B	1	/P	Ignition Switch Module
	725-04258	1	/P	P.T.O. Switch
	917-04174A	1	/P	P.T.O. Clutch
	KH-25-357-05-S	1	S	Engine Oil Not shown
	737-3121	1	/P	Transmission Fluid Not shown
	490-900-0041	1		Deck Leveling Guage Not shown
	490-900-0005	1	S	Grease Gun with one tube of grease Not shown
	490-900-0006	1	S	Replacement tubes of grease (3 pack) Not shown



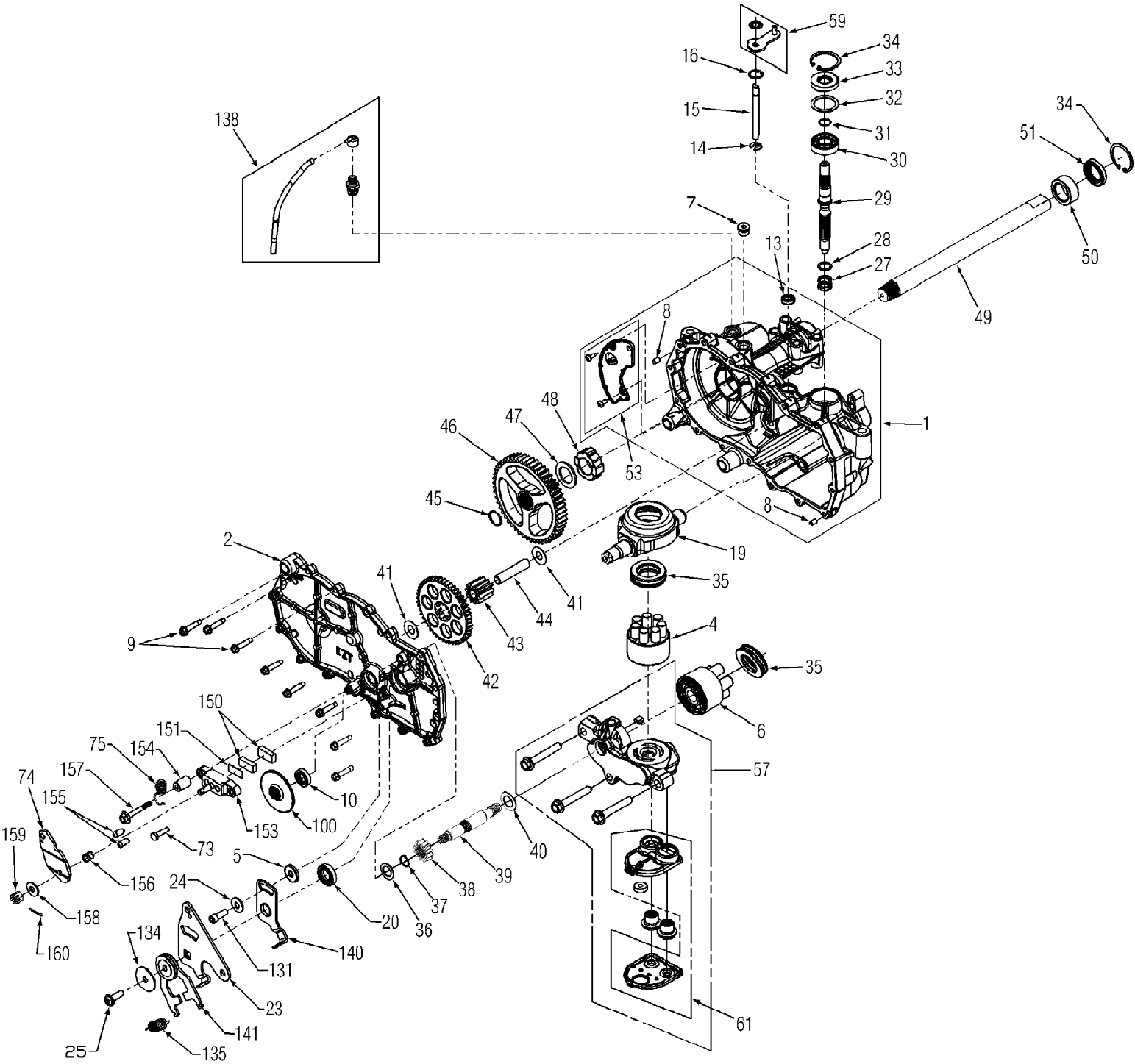
Ref #	Part Number	Qty	S/P/F	Description
1	647-04095A	1	S	Shaft, Lift
2	710-04187	1	/P	Screw, Hex Wash Hd. H/L, 1/4-15 x .5
3	710-04484	1		Screw, Hex Wash Hd. Tapp, 5/16-18 x .75
4	710-0451	1	/P	Screw, Carriage, 5/16-18 x 75
5	710-0599	1	/P	Screw, Hex Wash Hd. Tapp, 1/4-20 x .5
6	710-0726	1	/P	Screw, Hex Wash Hd. Tapp, 5/16-12 x .75
7	710-0895	1		Screw, Hex Wash Hd. Tapp, 1/4-15 x .75
8	712-04063	1	/P	Nut, Hex Flange Insert Lock, 5/16-18 GrF
9	712-04065	1	/P	Nut, Hex Flange Insert Lock, 3/8-16 GrF
10	714-0104	1	S	Pin, Internal Cotter
11	714-0111	1	S	Pin, Cotter, 3/32 x 1.0
12	716-0106A	1		E-ring, .625 Shaft
13	720-0311	1		Grip, Handle
14	726-0135	1	/P	Nut, Speed, .3125 Dia.
15	726-0221	1	/P	Nut, Speed, .5
16	726-3046	1	/P	Clip, Ratchet
17	731-05477	1		Cover, Rear Fender RH
18	731-05518	1		Cover, Rear Fender LH
19	731-06208	1		Spacer, Seat Adjust
20	732-04459	1		Spring, Lift Handle Torsion
21	732-04491	1		Spring, Seat Adjust
22	732-04508	1		Spring, Compression, 1.71 x 3.25 x .23
23	732-0826A	1	/P	Spring, Extension, .865 x 4.68
24	735-04078A	1		Pad, Foot RH
25	735-04109	1		Pad, Foot LH
26	736-0192	1	S	Washer, Flat, .535 x .93 x .09
27	736-3078	1	/P	Washer, Flat, .344 x 1.0 x .063 HT
28	738-0138A	1	/P	Bolt, Shoulder, .496 x 2.5:3/8-16
29	738-0373	1	S	Bolt, Shoulder, .496 x 1.525:3/8-16
30	738-0380	1	S	Bolt, Shoulder, .5 x .27:3/8-16
31	741-0225	1	S	Bearing, Hex Flange,
32	746-04369	1		Cable, Lift, 16.16 Lg
33	746-0968	1		Cable, Lift, 16.16 Lg
34	747-04701	1		Handle, Lift
35	747-04821	1		Rod, Seat, 5/16 x 11.62
36	750-04945	1		Spacer, .51 x .75 x 1.0
37	756-1154	1		Pulley, Roller
38	757-04030A	1		Seat, High Back
39	783-04977A	1	S	Plate, Deck Lift Index
40	783-05546	1	S	Arm, Deck Lift
41	783-05816	1	S	Bracket, Seat Pivot
42	783-05817	1	S	Plate, Seat Mounting
43	783-05865	1	S	Fender, Rear
44	725-04040	1	S	Switch, Seat
45	725-04658	1		Harness, Seat Switch Jumper



Ref #	Part Number	Qty	S/P/F	Description
1	618-04634	1	S	Steering Assembly, Steering/Hydro
1	759-04284	1		Kit, Replacment Steering Gear Box (Incl. LH & RH Cams, 1 Tube,2 Pins & 2 Washers)
1	618-04634A	1	S	Steering Assembly, Steering/Hydro 2010 & After
2	631-04008A	1	/P	Wheel, Steering
3	N/A	1		Wheel Assembly
3	734-1731	1		Tire, 15 x 6 x 6 not shown
3	634-04104A	1	S	Rim, Wheel not shown
3	737-0224	1		Grease Fitting not shown
3	941-04137	1	/P	Bearing, Ball not shown
3	934-0255	1	/P	Valve, Tubeless Air not shown
4	647-04062	1	S	Axle Assembly, LH
5	647-04063	1	S	Axle Assembly, RH
6	647-04080A	1	S	Rod, Fender Support
7	683-04332	1		Link, Steering Box/Hydro
8	710-04006	1		Screw, Hex Wash Hd. Tapp, 5/16-18 x 2.0
9	710-04187	1	/P	Screw, Hex Wash Hd. Hi/Lo, 1/4-15 x .5
10	710-04389	1		Screw, Hex Wash Hd. Tapp, 5/16-18 x 2.25
11	710-04484	1		Screw, Hex Wash Hd. Tapp, 5/16-18 x .75
12	710-04692	1		Screw, Hex Cap, 3/8-16 x 7.25 Gr5
13	710-0513	1		Screw, Hex Cap Lock, 1/4-28 x .625 Gr5
14	710-0520	1	/P	Screw, Hex Cap, 3/8-16 x 1.5 Gr5
15	710-0528	1	/P	Screw, Hex Cap, 5/16-18 x 1.25 Gr5
16	710-0597	1	/P	Screw, Hex Cap, 1/4-20 x 1.0 Gr5
17	710-0599	1	/P	Screw, Hex Wash Hd. Tapp, 1/4-20 x .5
18	710-0642	1	/P	Screw, Hex Wash Hd. Tapp, 1/4-20 x .75
19	710-0650	1	/P	Screw, Hex Wash Hd. Tapp, 5/16-18 x .875
20	710-3015	1	/P	Screw, Hex Cap, 1/4-20 x .75 Gr5
21	710-3119	1	/P	Screw, Hex Cap Lock, 3/8-16 x .75 Gr5
22	710-3144	1	/P	Screw, Hex Cap, 3/8-16 x 2.0 Gr5
23	710-3296	1		Screw, Hex Cap Lock, 1/4-20 x .75 Gr5
24	711-04472	1		Link, Drag
25	711-04562	1		Shaft, Steering Pivot Gear
26	711-04722	1		Pin, Clevis, .375 x .969 HT
27	712-0312A	1		Nut, Jam, 3/8-24 LH Thrd
28	712-0365	1		Nut, Hex Lock, M8 x 1.25 Gr9
29	712-0375	1	/P	Nut, Hex Lock, 3/8-16
30	712-04063	1	/P	Nut, Hex Insert Flange Lock, 5/16-18 GrF
31	712-04064	1	/P	Nut, Hex Insert Flange Lock, 1/4-20 GrF
32	712-04065	1	/P	Nut, Hex Insert Flange Lock, 3/16-16 GrF
33	712-3001	1	S	Nut, Hex Jam, 3/8-24 Gr2
34	713-04037	1	S	Link, Connecting
35	714-0104	1	S	Pin, Internal Cotter
36	714-04039	1		Pin, Cotter, 5/32 x 1.25
37	717-04274A	1	/P	Gear, Spur, 12T
38	717-04275A	1	/P	Gear, Spur, RH 13T
39	717-04282A	1	/P	Gear, Spur, LH 13T
40	719-04170	1	S	Axle, Pivot Bar
41	719-04287	1	S	Arm, Steering, LH
42	719-04288	1	S	Arm, Steering, RH
43	723-04035	1		End, Ball Joint Rod

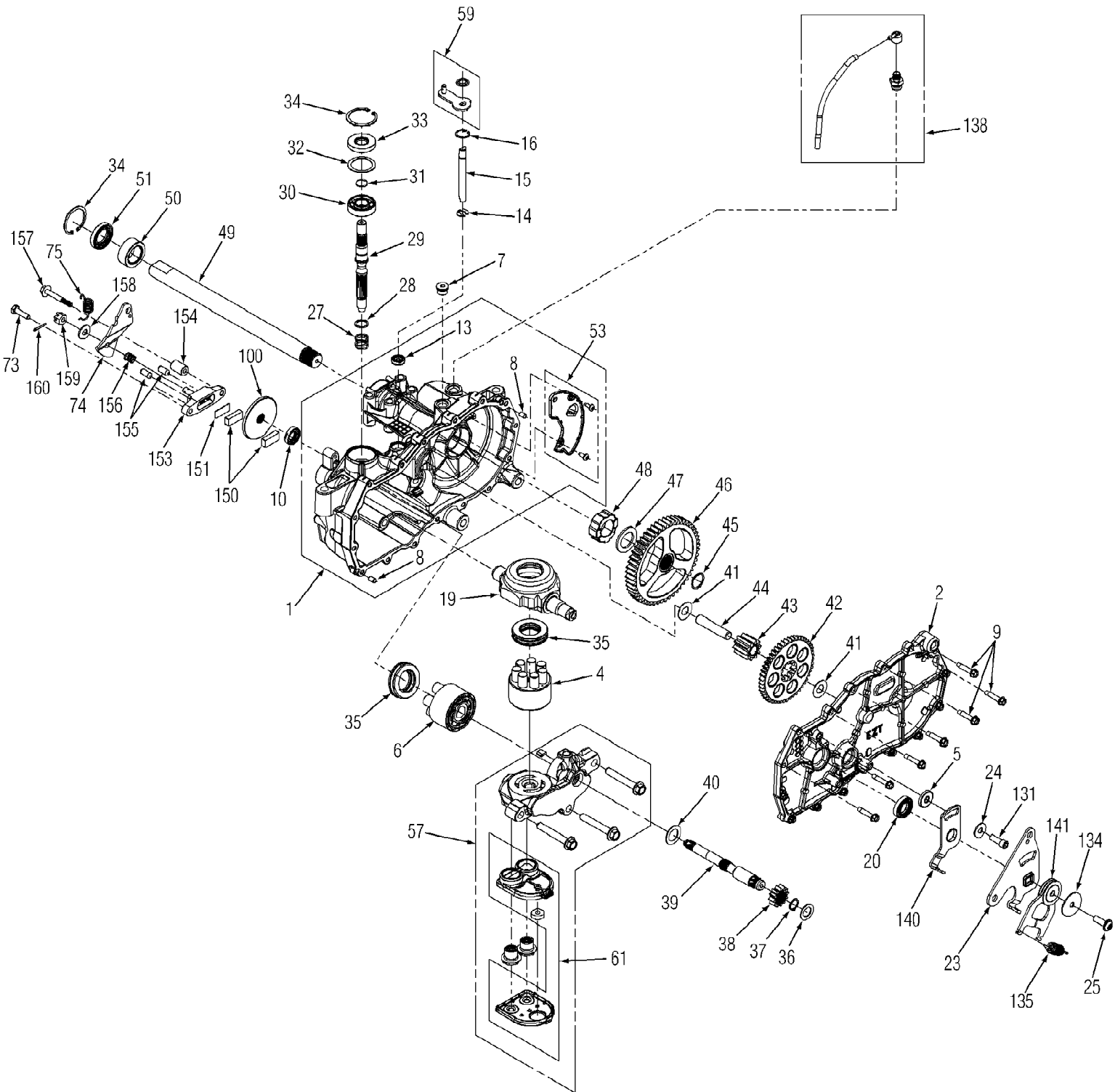
Ref #	Part Number	Qty	S/P/F	Description
44	723-04036	1		End, Ball Joint Rod, LH Thrd.
45	727-0626A	1	S	Cylinder, Damper
46	731-05476	1		Cover, Steering Gear, RH
47	731-05618	1		Cover, Steering Gear, LH
48	731-04532A	1	/P	Cover, Steering Wheel
49	736-0185	1	S	Washer, Flat, .375 x .738.063
50	736-0270	1	/P	Washer, Bell, .265 x .75 x .062
51	736-0286	1	S	Washer, Spring, .39 x .75 x .010
52	736-0315	1	/P	Washer, Flat, .76 x 1.5 x .12
53	736-0452	1	S	Washer, Bell, .396 x 1.14 x .095
54	736-0866	1		Washer, Flat, .755 x 1.92 x .060
55	736-3004	1	S	Washer, Flat, .406 x .875 x .105
56	736-3052	1	/P	Washer, Flat, .406 x 1.0 x .105
57	736-0222	1	S	Washer, External Lock, 1/4
58	737-3000	1	S	Fitting, Grease
59	738-04189	1		Shaft, Steering, .625 x 17.281
60	738-04240	1		Nut, Shoulder, .375 x .5
61	747-04496	1		Rod, 3/8-24 x 14.4 Lg
62	748-04139	1		Block, Steering Shaft
63	750-04676	1		Spacer, .385 x .63 x .75
64	750-04776	1		Spacer, .380 x .625 x .265
65	750-04777	1		Spacer, .26 x .372 x .33
66	750-04855	1		Spacer, .385 x .75 x 3.47
67	783-04798	1	S	Bracket, Steering Support, LH
68	783-04799	1	S	Bracket, Steering Support, Upper
69	783-05140	1	S	Bracket, Steering Support, RH
70	783-05184	1	S	Plate, Base Cover, RH
71	783-05185	1	S	Plate, Base Cover, LH
72	783-05380	1	S	Link, Steering/Hydro RH
73	783-05381	1		Bracket, Hydro/Steering Adjustment
74	783-05404	1	S	Link, Steering/Hydro LH
75	783-05446	1	S	Bracket, Steering Link Mfg. Date B298 & Before
75	783-05446A	1	/P	Bracket, Steering Link Mfg. Date C018 & After
76	731-3020	1	S	Hub Cap
77	738-1011A	1	/P	Bolt, Shoulder, .5 x 2.23:3/8-16
78	710-0597	1	/P	Screw, Hex Cap, 1/4-20 x 1.0 Gr5 Mfg. Date C018 & After
79	712-04064	1	/P	Nut, Hex Insert Flange Lock, 1/4-20 Mfg. Date C018 & After
	490-900-005	1		Grease Gun with one tube of grease not shown
	490-900-006	1		Replacement tubes of grease (3 pack) not shown

Ref #	Part Number	Qty	S/P/F	Description
1	607-04243	1		Bracket, Steering Box Return
2	617-04036	1	S	Gear, Bevel LH
3	617-04037	1	S	Gear, Bevel RH
4	619-04153	1		Housing, Steering Lower
4	737-0148	1	S	Grease, Darina Not shown
5	619-04206	1	S	Housing, Steering Upper
6	647-04083	1		Arm, Hydro LH
7	647-04084	1		Arm, Hydro RH
8	647-04085	1		Cam, Hydro LH
9	647-04086	1		Cam, Hydro RH
10	703-2441	1		Arm, Neutral
11	710-0642	1	/P	Screw, Hex Wash Hd. Tapp, 1/4-20 x .5
12	710-04040	1	/P	Screw, Shoulder, .497 x .75 : 3/8-16
13	710-0778	1	/P	Screw, Hex Wash Hd. Tapp, 1/4-20 x 1.5
14	711-04587	1	S	Shaft, Steering
15	712-3005	1	S	Nut, Hex Flange Lock, 3/8-16 Gr5
16	716-0102	1	S	Ring, Snap, 1.0 Dia. Shaft
17	716-0111	1	/P	Ring, External Retaining, .875 Shaft
18	716-0114	1	S	Ring, Retaining, .56 Dia. Shaft
19	716-0115	1	S	Ring, Retaining, .56 Dia. Shaft
20	716-04066	1		Ring, Retaining, .31125 Dia. Shaft
21	717-04318	1		Gear, Pinion, 7T
22	717-04319	1		Gear, Synchro Rack
23	717-04328	1	S	Gear, Steering, 17T
24	717-04330	1	S	Gear, Steering, 26T
25	718-04229	1		Tube, Coupler
26	718-04269	1	S	Cam, Hydro Steering
27	721-04186	1		O-Ring, .625 x .07
28	732-04523	1		Spring, Compression, .531 x 1.25
29	732-1162	1		Spring, Extension, .56 x 2.31 x .105
30	736-04237	1		Washer, Flat, .508 x 1.32 x .04
31	736-04257	1	/P	Washer, Flat, 1.015 x 1.375 x .005
32	736-04258	1	/P	Washer, Flat, 1.015 x 1.375 x .010
33	736-04259	1		Washer, Flat, 1.015 x 1.375 x .015
34	736-0864	1	S	Washer, Thrust, .375 x .812 x .06
35	741-04203	1		Bearing, Flange, .5 x .7
36	741-04204	1		Bearing, Sleeve, .437 x .3425
37	741-04206	1		Bearing, Sleeve, .623 x .5025 x .25
38	741-04231	1		Bearing, Sleeve, 1.2 x 1.0
39	741-04235	1		Bearing, Flange, .625 x .875
40	741-04257	1		Bearing, Caster Rack
41	741-0747	1		Bearing, Ball, .5625 x 1.375 x .4375



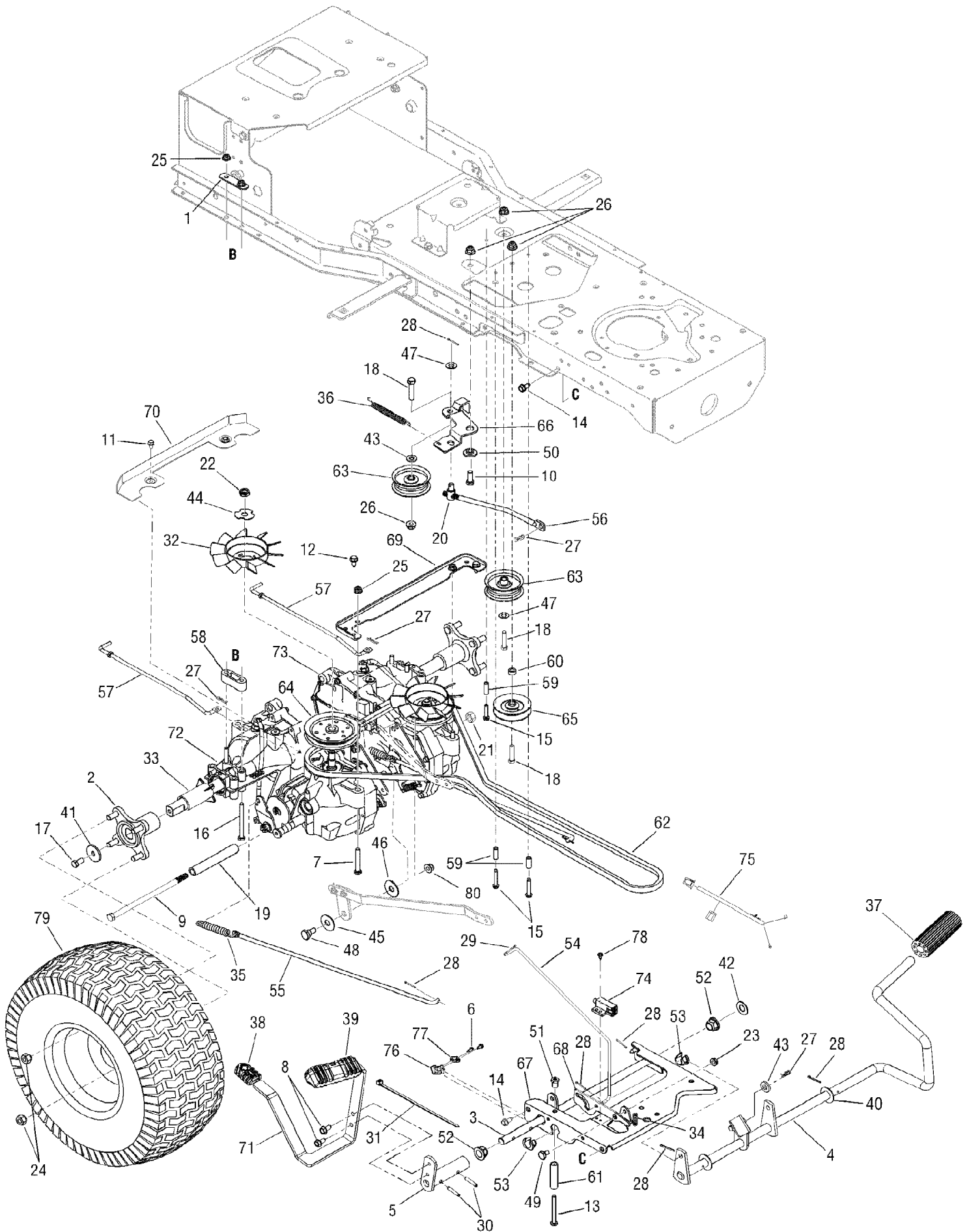
Ref #	Part Number	Qty	S/P/F	Description
1	HG-71030L	1		Housing Assembly, Main RH
2	HG-71031L	1		Side Assembly, RH
4	HG-70723	1	/P	Block Kit - 7 Piston
5	HG-51949	1		Spacer, .32 x 1.005 x .179
6	HG-70331	1	/P	Block Assembly, Cylinder
7	HG-9005110-5600	1	/P	Plug, Straight Thread
8	HG-9004800-2506	1	/P	Pin
9	HG-51190	1	/P	Screw, Hex Flange
10	HG-70719	1	/P	Seal, Oil
13	HG-51626	1		Seal, Lip
14	HG-51628	1	/P	Ring, Retaining, .375 Ext.
15	HG-51625	1		Rod, Bypass
16	HG-51627	1		Ring, Retaining, .75 Int.
19	HG-51048	1	/P	Swashplate, Trunnion
20	HG-51140	1	/P	Seal, Lip
23	HG-52681	1		Arm, Control
24	736-0371	1	/P	Washer, Flat, .34 x .88 x .06
25	HG-51812	1	/P	Screw, 5/16-24 x 1.0
27	HG-2003014	1	/P	Spring, Block
28	HG-2003017	1	/P	Washer, Thrust
29	HG-51062	1	/P	Shaft, Input
30	HG-50315	1		Bearing, Ball
31	HG-2000022	1	/P	Ring, Retaining
32	HG-50951	1	/P	Spacer
33	HG-51161	1	/P	Seal, Lip
34	HG-50329	1	/P	Ring, Retaining
35	HG-50551	1	S	Bearing, Thrust
36	HG-44371	1	/P	Washer, Flat, 5/8 x 1.0 x .05
37	HG-44145	1		Ring, Retaining
38	HG-51767	1		Gear, Pinion, 12T
39	HG-52579	1		Shaft, Motor
40	HG-51069	1		Washer, Motor Shaft
41	HG-50132	1	/P	Washer, HT
42	HG-51766	1		Gear, 10T/49T
43	HG-51043	1	/P	Gear, 10T Jackshaft
44	HG-51083	1		Pin, Jackshaft
45	HG-52531	1		Ring, Retaining
46	HG-52541	1		Gear, Bull, 52T
47	HG-52532	1		Washer, 1.018 x 1.57 x .105
48	HG-52542	1		Bearing, Sleeve
49	HG-52683	1		Shaft, Axle
50	HG-51517	1	/P	Bearing, Sleeve
51	HG-51518	1	/P	Seal, Lip
53	HG-70868L	1		Plate Kit, Expansion
57	HG-71529	1		Kit, Center Section
59	HG-71357	1		Kit, Bypass Arm RH
61	HG-71497	1	/P	Filter Assembly
73	HG-44433	1		Screw, Hex
74	HG-44094	1	/P	Arm, Brake
75	HG-50884	1	/P	Spring, Brake
100	HG-52473	1		Rotor, Brake
131	HG-51616	1	S	Screw, Patch, 5/16-24 x 1
134	HG-51950	1		Washer, 3/4 x 1.5 x .062

Ref #	Part Number	Qty	S/P/F	Description
135	HG-52401	1	/P	Spring, Extension
138	HG-71510	1	/P	Kit, Breather
140	HG-51945	1		Arm, Neutral
141	HG-52432	1		Kit, Scissors Arm
150	917-0678	1	/P	Puck, Brake
151	917-0682	1	/P	Plate, Puck
153	HG-62589	1	/P	Assembly, Brake Yoke
154	HG-23711	1		Spacer, Torsion Spring
155	941-0343	1	/P	Pin, Actuating
156	HG-50919	1	/P	Spring, Brake
157	HG-51146	1		Bolt, Special Flange
158	936-0371	1	S	Washer, Flat
159	712-0335	1	S	Nut, Castle, 5/16-24
160	914-0507	1	/P	Pin, Cotter, 3/32 x .75
	HG-50928	1	/P	Sealant not shown
	HG-70853	1	/P	Seal Kit not shown



Ref #	Part Number	Qty	S/P/F	Description
1	HG-71585	1		Housing Assembly, Main RH
2	HG-71586	1		Side Assembly, RH
4	HG-70723	1	/P	Block Kit - 7 Piston
5	HG-52527	1		Spacer, .32 x 1.005 x .179
6	HG-70331	1	/P	Block Assembly, Cylinder
7	HG-9005110-5600	1	/P	Plug, Straight Thread
8	HG-9004800-2506	1	/P	Pin
9	HG-51190	1	/P	Screw, Hex Flange
10	HG-70719	1	/P	Seal, Oil
13	HG-51626	1		Seal, Lip
14	HG-51628	1	/P	Ring, Retaining, .375 Ext.
15	HG-51625	1		Rod, Bypass
16	HG-51627	1		Ring, Retaining, .75 Int.
19	HG-51048	1	/P	Swashplate, Trunnion
20	HG-51140	1	/P	Seal, Lip
23	HG-52682	1		Arm, Control
24	736-0371	1	/P	Washer, Flat, .34 x .88 x .06
25	HG-51812	1	/P	Screw, 5/16-24 x 1.0
27	HG-2003014	1	/P	Spring, Block
28	HG-2003017	1	/P	Washer, Thrust
29	HG-51062	1	/P	Shaft, Input
30	HG-50315	1		Bearing, Ball
31	HG-2000022	1	/P	Ring, Retaining
32	HG-50951	1	/P	Spacer
33	HG-51161	1	/P	Seal, Lip
34	HG-50329	1	/P	Ring, Retaining
35	HG-50551	1	S	Bearing, Thrust
36	HG-44371	1	/P	Washer, Flat, 5/8 x 1.0 x .05
37	HG-44145	1		Ring, Retaining
38	HG-51767	1		Gear, Pinion, 12T
39	HG-52579	1		Shaft, Motor
40	HG-51069	1		Washer, Motor Shaft
41	HG-50132	1	/P	Washer, HT
42	HG-51766	1		Gear, 10T/49T
43	HG-51043	1	/P	Gear, 10T Jackshaft
44	HG-51083	1		Pin, Jackshaft
45	HG-52531	1		Ring, Retaining
46	HG-52541	1		Gear, Bull, 52T
47	HG-52532	1		Washer, 1.018 x 1.57 x .105
48	HG-52542	1		Bearing, Sleeve
49	HG-52683	1		Shaft, Axle
50	HG-51517	1	/P	Bearing, Sleeve
51	HG-51518	1	/P	Seal, Lip
53	HG-70868R	1		Plate Kit, Expansion RH
57	HG-71530	1		Kit, Center Section RH
59	HG-71006	1		Kit, Bypass Arm RH
61	HG-71497	1	/P	Filter Assembly
73	HG-44433	1		Screw, Hex
74	HG-44094	1	/P	Arm, Brake
75	HG-50884	1	/P	Spring, Brake
100	HG-52473	1		Rotor, Brake
131	HG-51616	1	S	Screw, Patch, 5/16-24 x 1
134	HG-51950	1		Washer, 3/4 x 1.5 x .062

Ref #	Part Number	Qty	S/P/F	Description
135	HG-52401	1	/P	Spring, Extension
138	HG-71510	1	/P	Kit, Breather
140	HG-51946	1		Arm, Neutral, RH
141	HG-52432	1		Kit, Scissors Arm
150	917-0678	1	/P	Puck, Brake
151	917-0682	1	/P	Plate, Puck
153	HG-62589	1	/P	Assembly, Brake Yoke
154	HG-23711	1		Spacer, Torsion Spring
155	941-0343	1	/P	Pin, Actuating
156	HG-50919	1	/P	Spring, Brake
157	HG-51146	1		Bolt, Special Flange
158	936-0371	1	S	Washer, Flat
159	712-0335	1	S	Nut, Castle, 5/16-24
160	914-0507	1	/P	Pin, Cotter, 3/32 x .75
	HG-50928	1	/P	Sealant not shown
	HG-70853	1	/P	Seal Kit not shown



Ref #	Part Number	Qty	S/P/F	Description
1	17840	1	S	Bracket, Transmission Mounting
2	618-04317	1	S	Hub, Wheel
3	647-04094	1		Shaft Assembly, Hydro Control Pedal
4	647-04141	1	S	Shaft Assembly, Brake Control
5	683-04314A	1	S	Bracket, Pedal
6	710-0227	1	/P	Screw, Hex Wash Hd. Tapp, #8-18 x .5
7	710-0395	1	/P	Screw, Hex Cap, 5/16-18 x 2.25 Gr5
8	710-04484	1		Screw, Hex Wash Hd. Tapp, 5/16-12 x .75
9	710-04648	1		Screw, Hex Cap, 7/16-14 x 8.5 Gr5
10	710-0514	1	/P	Screw, Hex Cap, 3/8-16 x 1.0 Gr5
11	710-0599	1	/P	Screw, Hex Wash. Hd. Tapp, 1/4-20 x .5
12	710-0607	1	/P	Screw, Hex Wash Hd. Tapp, 5/16-18 x .5
13	710-0641	1	/P	Screw, Hex Cap, 1/4-20 x 2.25 Gr5
14	710-0726	1	/P	Screw, Hex Wash Hd. Tapp, 5/16-12 x .75
15	710-1026	1	/P	Screw, Hex Wash Hd. Tapp, 1/4-20 x .75
16	710-1266	1	/P	Screw, Hex Cap, 5/16-18 x 3.5 Gr5
17	710-3119	1	/P	Screw, Hex Cap Lock, 3/8-16 x .75 Gr5
18	710-3144	1	/P	Screw, Hex Cap, 3/8-16 x 2.0 Gr5
19	711-04554	1		Spacer, .479 x .75 x 4.97
20	711-0832	1	S	Ferrule, 3/8-24 x .375 Dia.
21	712-0290	1	/P	Nut, Hex Lock, 7/16-14 GrA
22	712-0346	1	S	Nut, Hex Jam Insert Lock, 1/2-20 Gr5
23	712-3004A	1	/P	Nut, Hex Flange Lock, 5/16-18 Gr5
24	712-3050	1	/P	Nut, Lug, 7/16-14
25	712-04063	1	/P	Nut, Hex Flange Insert Lock, 5/16-18 GrF
26	712-04065	1	/P	Nut, Hex Flange Insert Lock, 3/8-16 GrF
27	714-0104	1	S	Pin, Internal Cotter
28	714-0111	1	S	Pin, Cotter, 3/32 x 1/0
29	714-04040	1	/P	Pin, Bowtie Cotter
30	715-0143	1	S	Pin, Spirol, .25 x 1.25
31	725-0157	1	/P	Tie, Cable
32	731-05846	1	/P	Fan, Hydro
33	731-06274	1		Sleeve, 1.015 x 2.6
34	732-0335	1		Spring, Compression, .405 x 1.17
35	732-0716C	1	S	Spring, Extension, .59 x 4.0
36	732-0814	1		Spring, Extension, .56 x 5.52
37	735-0239	1	/P	Pad, Foot, 4.0 in. Lg
38	735-04117	1		Pad, Reverse Pedal
39	735-04118	1	S	Pad, Forward Pedal
40	736-0187	1	/P	Washer, Flat, .64 x 1.24 x .06 HT
41	736-0227	1	S	Washer, Flat, .39 x 1.5 x .134
42	736-0290	1	/P	Washer, Flat, .625 x 1.0 x .067 HT
43	736-3010	1	/P	Washer, Flat, .407 x .812 x .135 HT
44	736-04263	1		Washer, Hydro Lock
45	736-3027	1		Washer, Flat, .531 x 1.75 x .09
46	736-3039	1	S	Washer, Flat, .406 x 1.5 x .105
47	736-3050	1	/P	Washer, Flat, .406 x .812 x .051
48	738-0143	1	/P	Bolt, Shoulder, .496 x .336: 3/8-16
49	738-0155	1	S	Bolt, Shoulder, .435 x .160 : 5/16-18
50	738-0347	1	S	Spacer, Shoulder, .625 ID x .169
51	738-04240	1		Nut, Shoulder, .375 Dia x .5
52	741-0225	1	S	Bearing, Hex Flange
53	741-3065B	1	/P	Bearing, Hex Flange, .625 ID Split

Ref #	Part Number	Qty	S/P/F	Description
54	747-04562A	1		Rod, Park Brake
55	747-04584A	1	/P	Rod, Brake
56	747-04598	1		Rod, Drive Engage
57	747-04729	1		Rod, Hydro Bypass
58	748-04155	1		Spacer, T-Axle
59	750-04456	1		Spacer, .26 x .372 x 1.42
60	750-04776	1		Spacer, .38 x .625 x .265
61	750-05026	1		Spacer, .375 x .5 x 2.0
62	754-04134	1	S	V-Belt, 88.4
63	756-04224	1	/P	Pulley, Flat Idler, 2.75
64	756-04274	1		Pulley, V Type, 4.5
65	756-04325	1	/P	Pulley, V Type Idler, 3.06
66	783-04570A	1	S	Arm, Idler
67	783-04881A	1	S	Bracket, Foot Pedal Support
68	783-04981	1		Bracket, Park Brake
69	783-05330A	1	S	Bracket, Support
70	783-05473	1	S	Bracket, Belt Keeper
71	783-05880	1	S	Pedal, Hydro Drive
72	918-04339A	1	/P	Transmission, Hydro RH
73	918-04342A	1	/P	Transmission, Hydro LH
74	725-04363	1		Switch, Interlock (Brake)
75	725-04374	1		Harness, Reverse Jumper
76	725-1644	1		Switch, Reverse
77	726-0320	1	S	Plate, Insulator Nut
78	738-04237A	1		Screw, Shoulder, #10-32 : .5
79	734-1730	1		Tire, 20 x 8 x 8
79	634-0246A	1	S	Rim Assembly, Rear
79	934-0255	1	/P	Valve, Tubeless Air
80	712-0375	1	/P	Nut, Hex Lock, 3/8-16