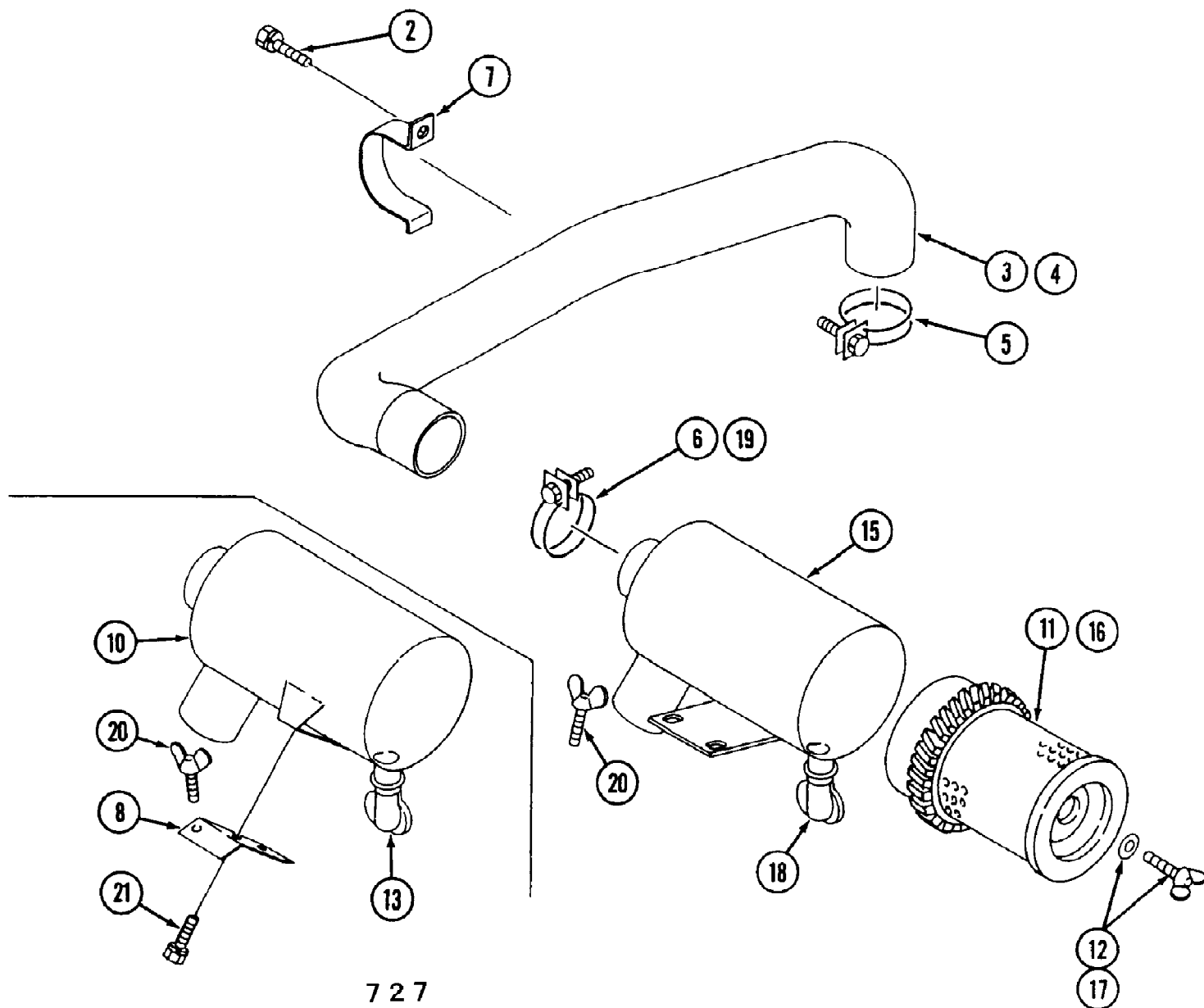


7234 Tractor
3-Point Linkage

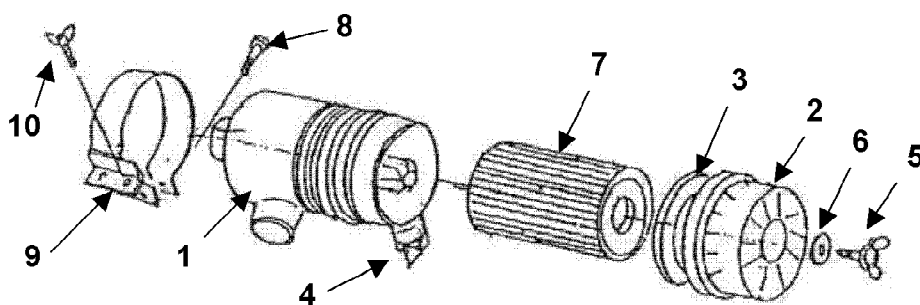
Page 2 of 200

Ref #	Part Number	Qty	S/P/F	Description
1	MA-19643013AG0	1	/P	Bracket L.H.
2	MA-19643015AG0	1	/P	Bracket R.H.
3	MA-19643001AG0	1		Bracket L.H.
3A	MA-19643002AG0	1		Bracket R.H.
4	MA-A0400114035	12		Bolt
5	MA-A3600101402	12		Washer
	MA-19643005AG0	1		3P Sub Ass'y. Includes items 6-42
6	MA-19643006AG0	2		Link, Lower
7	MA-19643007AG0	1	/P	Rod, Lift L.H.
	MA-19643011AG0	1	/P	Rod, Lift R.H. Ass'y. Includes items 9-12
9	MA-19633012AG0	1	/P	Rod A
?10	MA-10323025AG0	1	/P	Lift Rod Middle
11	MA-19643014AG0	1	/P	Rod B
12	MA-10323024000	1	S	Nut, Lock
	MA-19643016001	2		Check Chain Ass'y. Includes items 14-17
14	MA-19643017000	2		Chain A
15	MA-19643018000	2		Chain B
16	MA-10323027001	2		Turn Buckle
17	MA-A3000114002	2		Nut
20	MA-19643019AG0	2		Washer, Check Chain
21	MA-A3600101802	2	/P	Washer
22	MA-A3030118001	2		Nut
23	MA-19633021000	2		Pin, Clevis
24	MA-05200130020	2		Pin, Split
26	MA-10323018001	2	/P	Pin
27	MA-10323019000	2		Pin Snap
28	MA-19633024000	1		Band
29	MA-10323012000	6		Pin, Linch
30	MA-10323016000	2		Washer
	MA-19643036AG0	1		Top Link Ass'y. Includes items 32-35
32	MA-19643037AG0	1	/P	Turn Buckle
33	MA-19643038AG0	1	/P	Adjuster
34	MA-19643039000	1		Nut - Lock
35	MA-19643041AG0	1	/P	Adjuster
38	MA-19633037000	1		Pin, Upper Link
39	MA-10323012000	1		Linch Pin
41	MA-19633038000	1		Pin
42	MA-19633041000	1		Pin, Snap
44	MA-19633031000	1		Hook, Top Link
45	MA-19633034AG0	1	S	Cover PTO
46	MA-F1540112025	2		Bolt



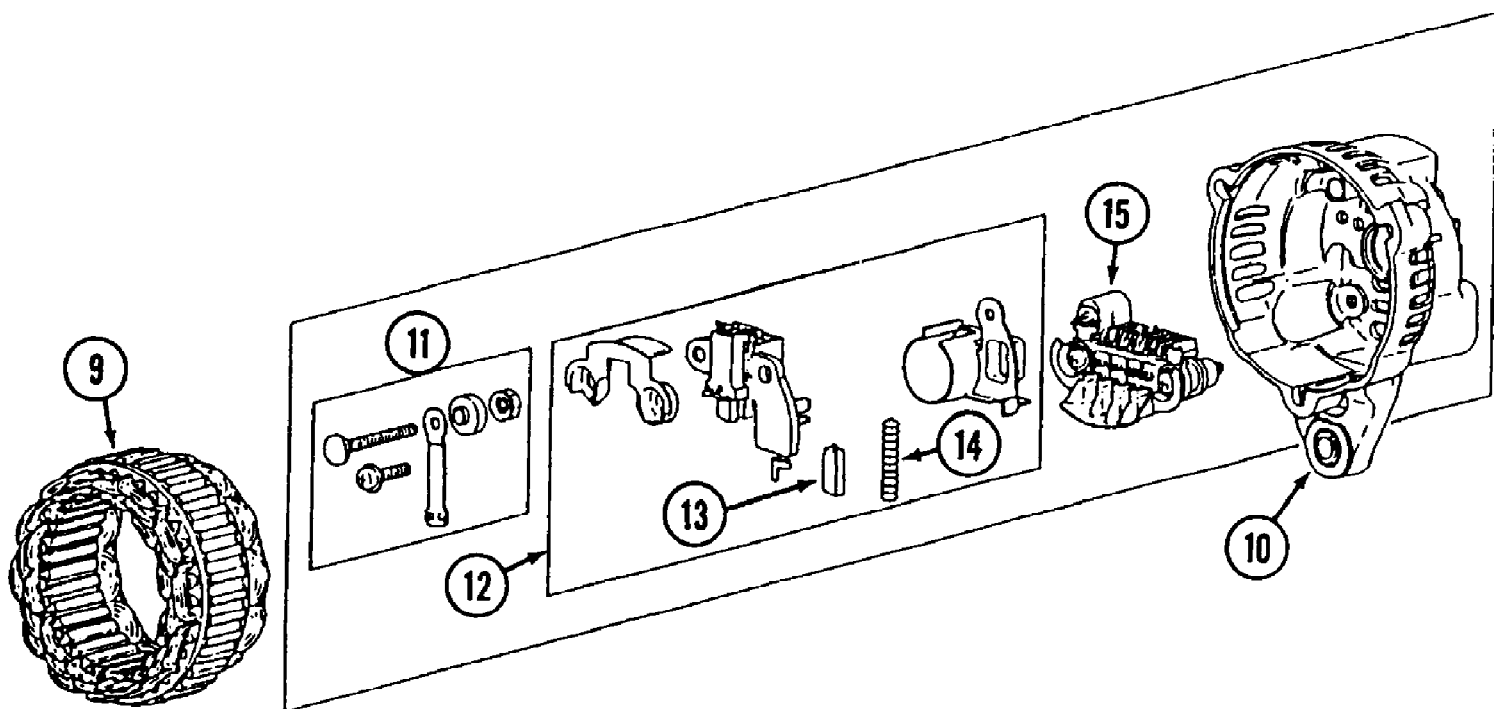
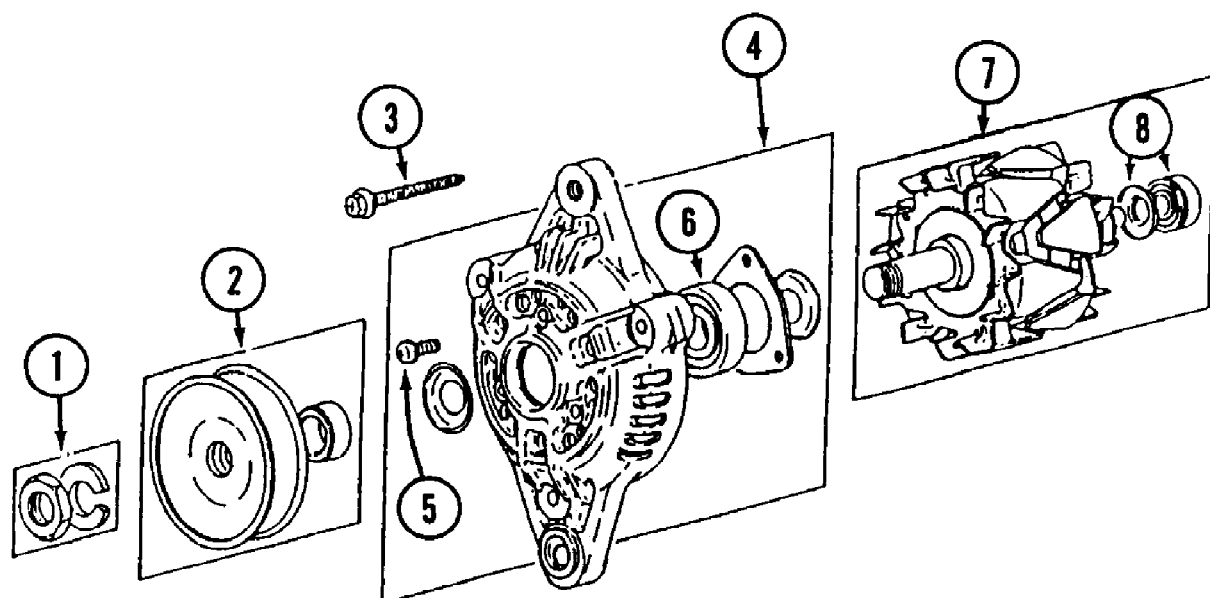
7234 Tractor
Air Cleaner

Ref #	Part Number	Qty	S/P/F	Description
2	MA-F1540108020	1		Bolt
3	MA-19640512000	1		Hose, Air
4		0		Hose, Air Not used on this model
5	MA-00501100530	1		Band, Hose
6		0		Band, Hose Not used on this model
7	MA-19630513000	1		Clamp
8		0		Plate Not used on this model
		0		Air Cleaner Not used on this model
10		0		Case Ass'y. Not used on this model
11		0		Element Not used on this model
12		0		Bolt, Ass'y., Wing Not used on this model
13		0		Valve Not used on this model
	MA-19630511000	1		Air Cleaner Includes items 15-18
15	MA-10320521100	1		Case Ass'y.
16	MA-10300511200	1		Element
17	MA-36610304000	1		Bolt Ass'y., Wing
18	MA-10300511300	1		Valve
19	MA-00501100560	1		Band, Hose
20	MA-14141454000	1		Bolt
21		0		Bolt Not used on this model



7234 Tractor
Air Cleaner MA-19670511000

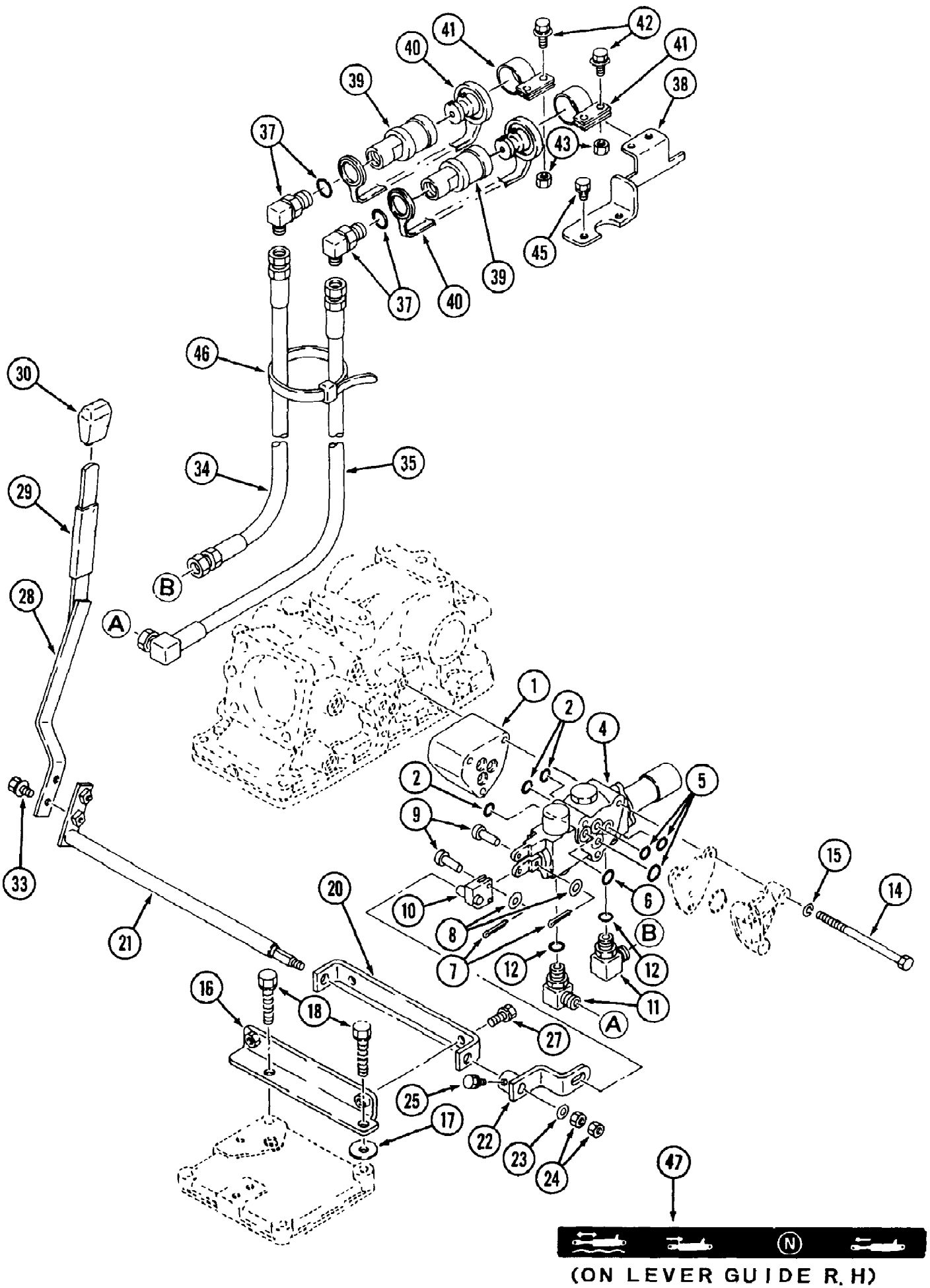
Ref #	Part Number	Qty	S/P/F	Description
	MA-19670511000	1		Air Cleaner Assembly MA-19670511000 Air Cleaner Assembly replaces MA-19630511000 when inventory is depleted. All components will change if the air cleaner assembly is replaced. Inventory depletion of component parts for the MA-19630511000 will also necessitate replacement with the MA-19670511000. Refer to Service Adviso
1	MA-19670511100	1		Case (plastic)
2	MA-35460501200	1		Cap
3	MA-35460501300	1		Gasket
4	MA-35460501400	1		Dirt Unloader Valve
5	MA-35460501500	1		Bolt Ass'y
6	MA-35460501600	1		Seal Washer
7	MA-35460501800	1		Element
8	MA-F1540108030	1		Bolt
9	MA-19670512AG0	1		Band
10	MA-14141454000	1		Wing Bolt



7234 Tractor
Alternator

Page 8 of 200

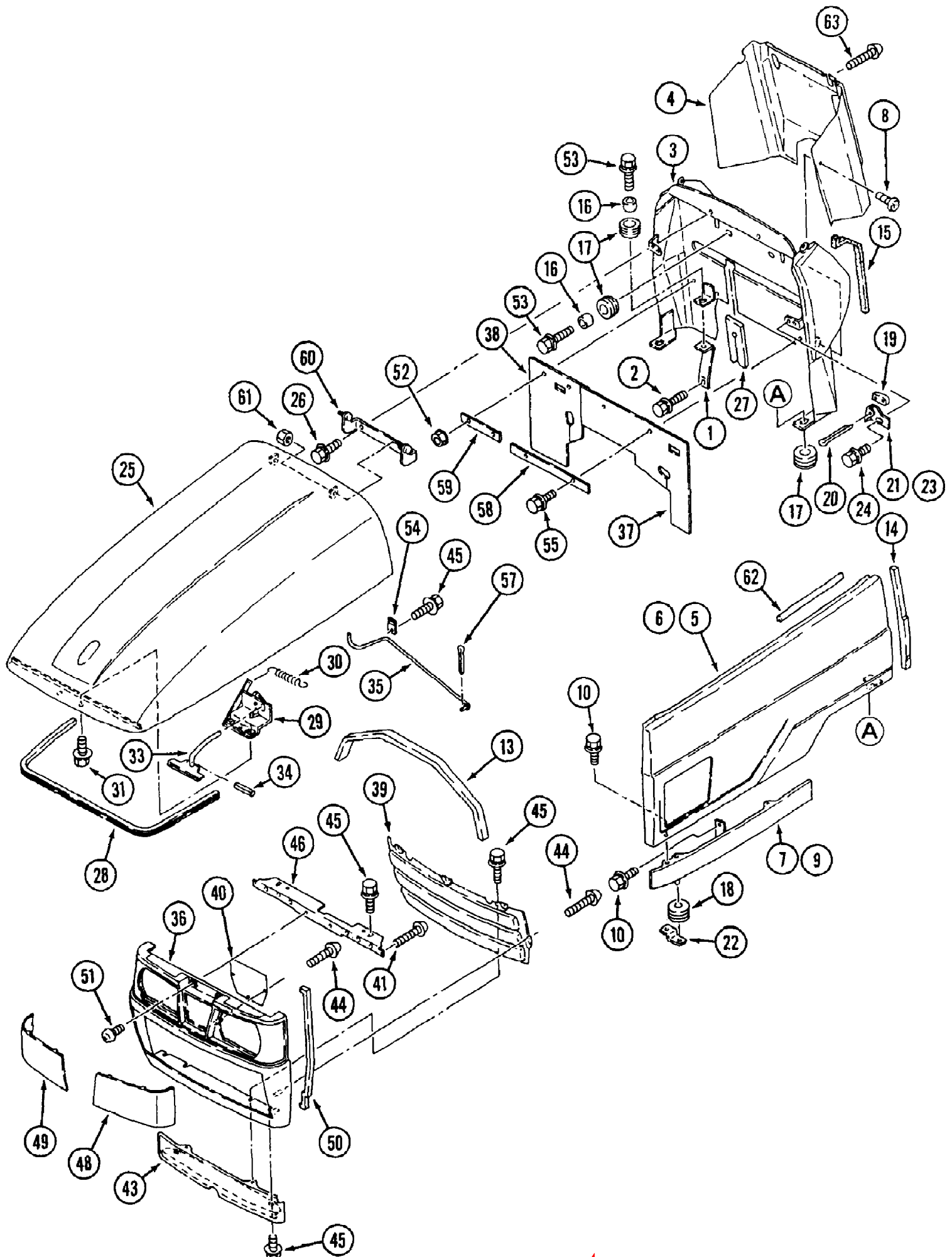
Ref #	Part Number	Qty	S/P/F	Description
	MA-MM435752	1		Alternator Ass'y.
1	MA-MM502340	1		Nut Set
2	MA-MM502508	1		Pulley Set
3	MA-MD607963	1		Bolt Set
4	MA-MM502504	1		Bracket Ass'y., Front
5	MA-MD611034	1		Screw Set
6	MA-MD611033	1		Bearing, Front
7	MA-MM502505	1		Rotor Ass'y.
8	MA-MD611150	1		Bearing, Rear
9	MA-MM502506	1		Starter Ass'y.
10	MA-MM502533	1		Bracket Ass'y., Rear
11	MA-MD607829	1		Terminal Set
12	MA-MM502532	1		Regulator Ass'y.
13	MA-MD611035	2		Brush
14	MA-MD602227	2		Spring, Brush
15	MA-MM502507	1		Rectifier Ass'y.



7234 Tractor
Auxiliary Valve Kit

Page 10 of 200

Ref #	Part Number	Qty	S/P/F	Description
1	MA-19642481000	1		Spacer
2	MA-08301100120	3	/P	O-Ring
	MA-19632482AG0	1		Aux. Valve Ass'y.
4		1		Body
5	MA-08300100120	3	S	O-Ring
6	MA-08300100160	1	/P	O-Ring
7	MA-05200125016	3	S	Pin, Split
8	MA-03500130815	3		Washer
9	MA-11556501270	3		Pin, Clevis
10	MA-19642483000	1		Arm
11	MA-35231888100	2	F	Adapter Includes Ref #12
	MA-06313117170	1	F	Elbow 90 Includes Ref #12
12	MA-08300100140	2		O-Ring
14	MA-A0540108140	3		Bolt
15	MA-A3600100802	3		Washer
16	MA-19642484AG0	1		Bracket
17	MA-03500161032	1		Washer
18	MA-F1550110055	2		Bolt
20	MA-19642485AG0	1		Bracket
21	MA-19642486000	1		Shaft
22	MA-19642487000	1		Arm
23	MA-03500140818	1		Washer
24	MA-A3010108002	2		Nut
25	MA-A0500108012	1		Bolt
27	MA-F1540108020	2		Bolt
	MA-19642488AG0	1		Lever Ass'y.
28		1		Lever
29	MA-19632439000	1		Tube
30	MA-11742449000	1		Grip
33	MA-H1540108016	2		Bolt
34	MA-19642492000	1		Hose Ass'y.
35	MA-19642493000	1		Hose Ass'y.
37	MA-19632494000	2		Fitting
38	MA-19632496AG0	1		Bracket
39	727-3093	2	S	Coupling
40	731-3177	2		Plug/A
41	MA-12185264000	2		Clamp, Coupler
42	MA-H1540108020	4		Bolt
43	MA-F3010108001	4		Nut
45	MA-F1540108012	2		Bolt
46	MA-00511070070	1		Band, Wire
47	MA-19632753000	1		Label, Aux. Valve



7234 Tractor
Bonnet (Hood)

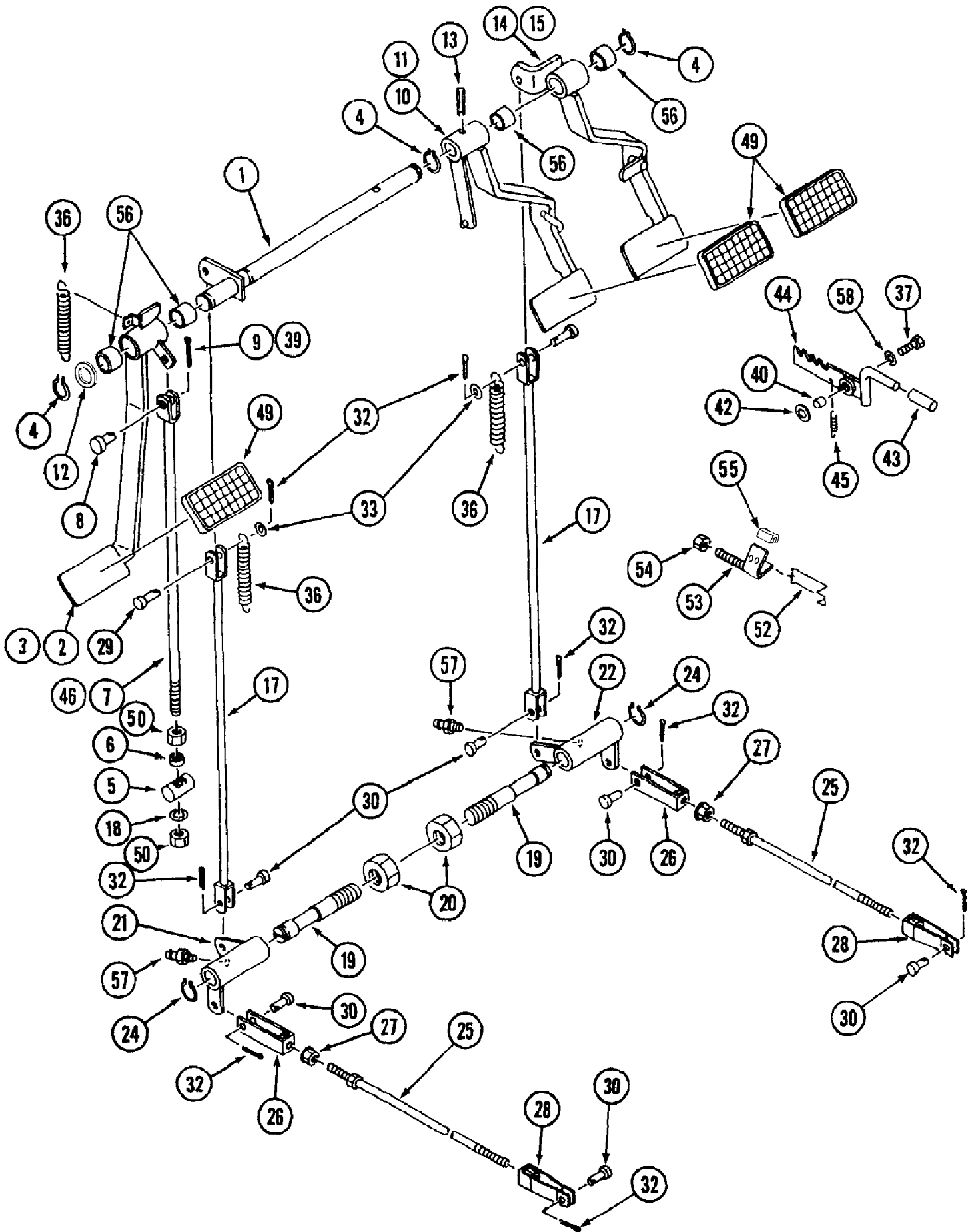
Page 12 of 200

Ref #	Part Number	Qty	S/P/F	Description
1	MA-19642613000	2		Bracket
2	MA-H1540108020	2		Bolt
3	MA-19632612BC0	1		Body, Panel
4	MA-19682614AG0	1		Cover, Panel Rear Modified beginning S/N 20631. Replaces P/N MA-19632614AG0
5	MA-19682618BC0	1		Cover, Side L.H. Modified beginning S/N 20501. Replaces P/N MA-19642618BC0
6	MA-19682619BC0	1		Cover, Side R.H. Modified beginning S/N 20501. Replaces P/N MA-19642619BC0
7	MA-19642621AG0	1		Cover, Side L.H.
8	MA-A2520706012	2		Screw
9	MA-19642622AG0	1		Cover, Side R.H.
10	MA-H1540108016	6		Bolt
13	MA-19632635000	1		Cushion
14	MA-19632623000	2		Cushion
15	MA-10192598300	2	S	Seal, Foam
16	MA-67700-26000	4		Collar
17	MA-11930439000	6		Grommet
18	MA-11740217001	2		Grommet
19	MA-10322629001	4	/P	Hook Modified beginning S/N 20621. Replaces P/N MA-10322629000
20	MA-05200130032	4		Pin, Split
21	MA-10322631000	2		Bracket A
22	MA-19632621AG0	2		Bracket
23	MA-10322632000	2		Bracket B
24	MA-H1540108016	2		Bolt
25	MA-19642633BC0	1	/P	Hood, Bonnet
26	MA-H1840108020	2		Bolt
27	MA-19632615000	1		Cushion
28	MA-19632634000	1		Cushion
29	MA-19632636000	1		Bracket, Lever
30	MA-19740722000	1		Spring
31	MA-H1540108016	2		Bolt
33	MA-19632637BC0	1		Lever
34	MA-05500003032	1		Pin, Spring
35	MA-19632642000	1		Rod, Stopper
36	MA-19672645000	1		Grille
37	MA-19642612000	1		Cover
38	MA-19642612100	1		Cover
39	MA-19672646AG0	1	/P	Screen Modified beginning S/N 20501. Replaces P/N MA-19632646AG0
40	MA-19672647AG0	1	/P	Screen Modified beginning S/N 20501. Replaces P/N MA-19632647AG0
41	MA-10212626000	2		Screw, Tapping
43	MA-19642646AG0	1		Cover, Front
44	MA-04322105010	8		Screw
45	MA-H1440106016	9	/P	Bolt
46	MA-19632651BC0	1	S	Support, Grille
48	MA-19632655000	1		Cover, Lamp L
49	MA-19632656000	1		Cover, Lamp R

7234 Tractor
Bonnet (Hood)

Page 13 of 200

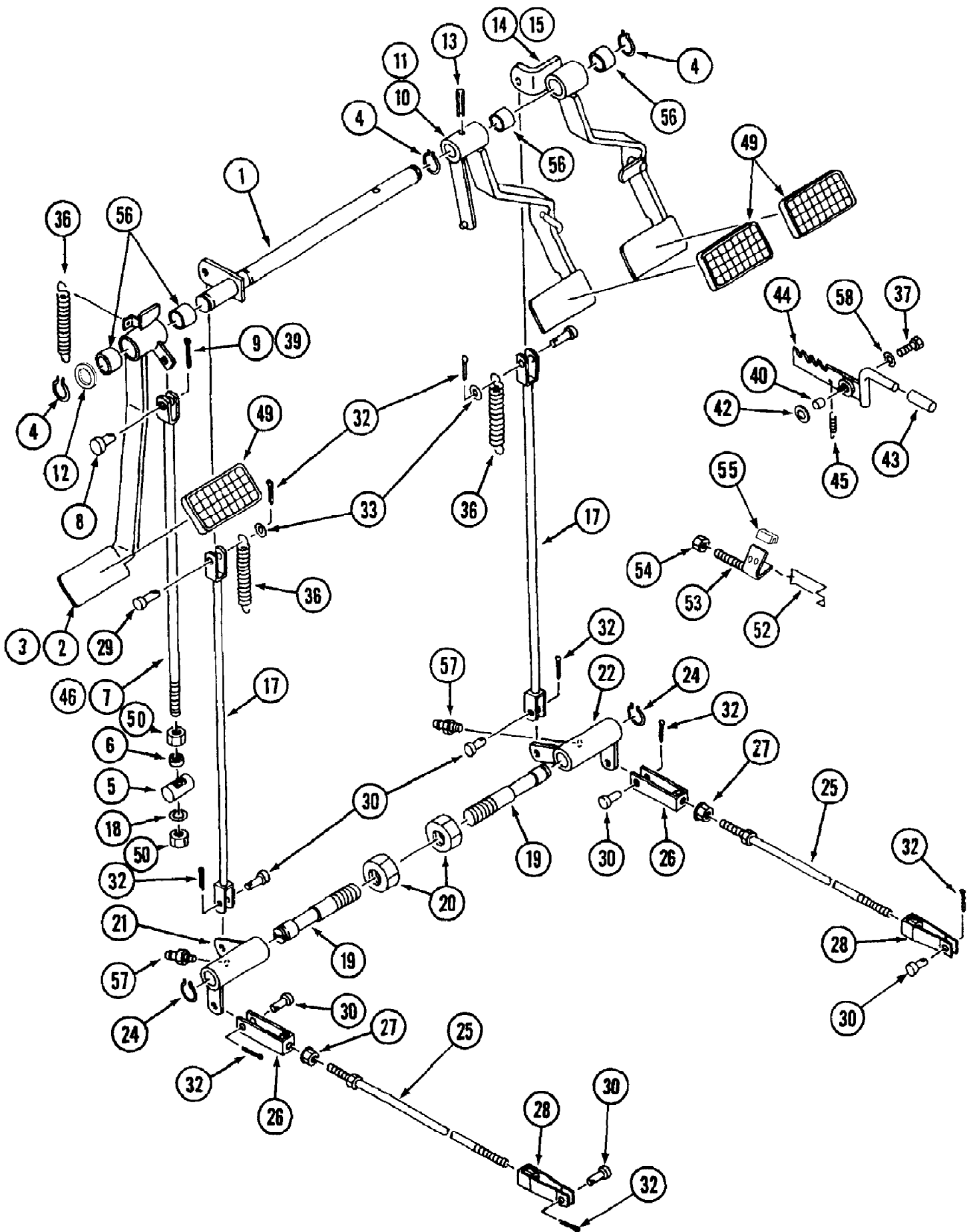
Ref #	Part Number	Qty	S/P/F	Description
50	MA-37357619700	2		Seal, Dust
51	MA-A2520706012	2		Screw
52	MA-F3010108001	2		Nut
53	MA-H1540108025	4		Bolt
54	MA-11910414000	1		Clip
55	MA-H1440106012	2		Bolt
57	MA-05200125016	1	S	Pin
58	MA-19632616000	1		Plate
59	MA-19632617000	1		Plate
60	MA-19632641000	1		Bracket, Hood
61	MA-A3810108000	1		Nut
62	MA-MA911822000	2	S	Rubber, Cushion
63	MA-A2520706020	1		Screw



7234 Tractor
C/B Control (Gear Drive)

Page 15 of 200

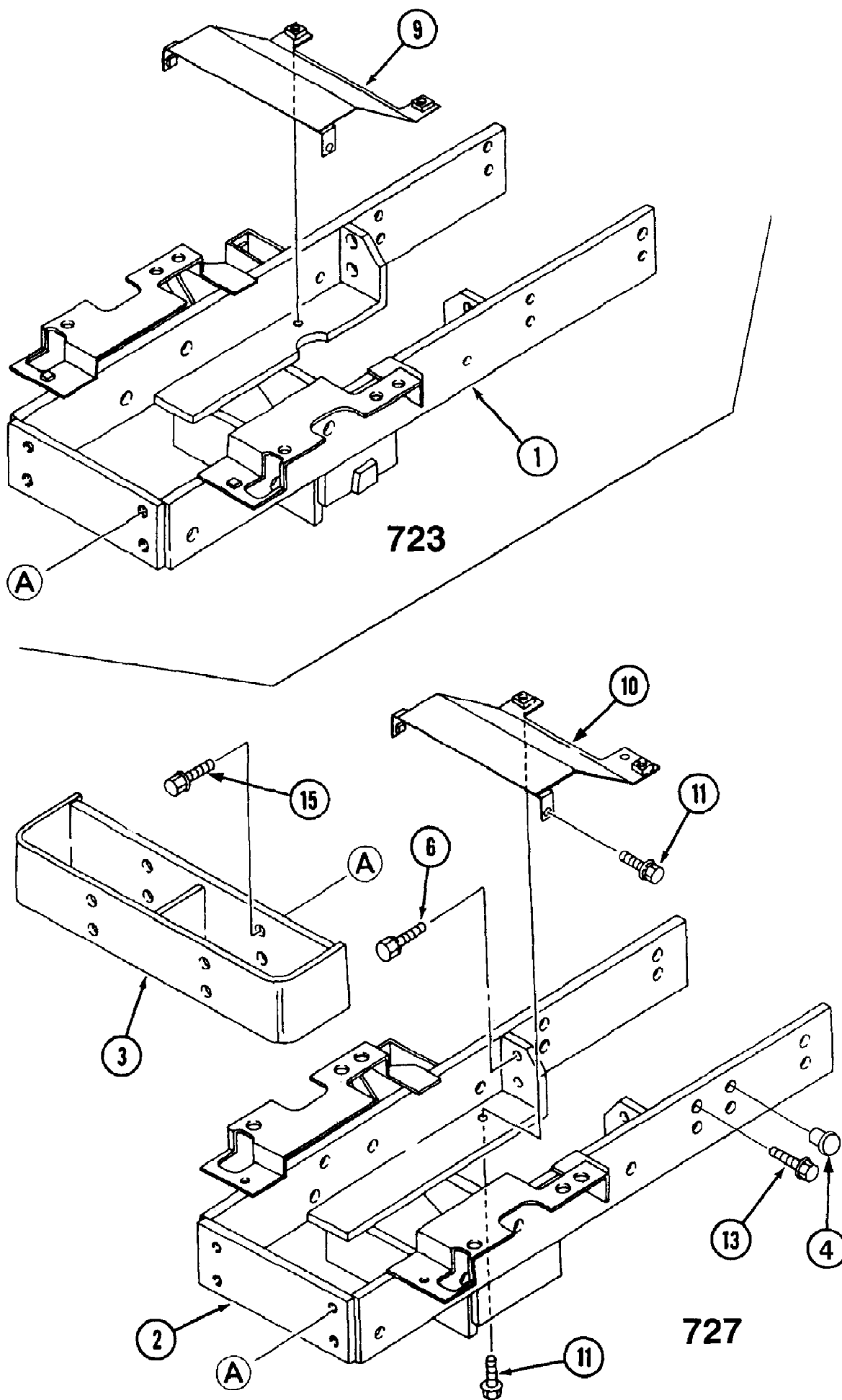
Ref #	Part Number	Qty	S/P/F	Description
1	MA-19631805AG0	1		Shaft, Brake
2		0		Pedal, Clutch Not used on this product, Replaces MA-19631807AG0
3	MA-19631845AG0	1		Pedal, Clutch
4	MA-07400002500	3	/P	Ring
5	MA-19631811000	1		Pin
6	MA-35155086100	1		Collar
7	MA-19641806000	1		Rod, Clutch
8	MA-05621114035	1		Pin, Clevis
9	MA-05200140025	1		Pin, Split
10		0		Pedal, Brake L.H. Not used on this product
11	MA-19641809AG1	1		Pedal, Brake L.H.
12	MA-07310102510	AR	/P/F	Liner
13	MA-19631816000	1		Pin, Spring
14		0		Pedal, Brake R.H. Not used on this product
15	MA-19641817AG0	1		Pedal, Brake R.H.
17	MA-19641819000	2		Rod, Brake A
18	MA-A3600101202	1		Washer
19	MA-19631821000	2		Shaft, Link
20	MA-A0730124001	2		Nut
21	MA-19641823AG0	1		Link, Brake L.H.
22	MA-19641824AG0	1		Link, Brake R.H.
24	MA-07400102200	2		Ring
25	MA-19641826000	2		Rod, Brake B
26	MA-10072222000	2		Joint
27	MA-A3030110002	2		Nut Replaces MA-F3030110001
28	MA-10251711000	2		Joint
29	MA-05620108030	2		Pin, Clevis
30	MA-05620102025	6		Pin, Clevis
32	MA-05200125020	8		Pin, Split
33	MA-03500130815	2		Washer
36	MA-27141917000	3		Spring
37	MA-F1540108025	1		Bolt
?38		0		Pin, Clevis Not used on this product
39		0		Pin, Split Not used on this product
40	MA-67700-26000	1		Collar
42	MA-07310101204	AR		Liner t=0.4 As Required
43	MA-14212284000	1		Grip
44	MA-19631839AG0	1		Lever, Parking
45	MA-11352230000	1		Spring
46		0		Rod, Clutch Not used on this product
49	MA-11931812000	3		Cover, Pedal
50	MA-A3030112002	2		Nut
52	MA-19631843001	1		Hook, Clutch Pedal
53	MA-19641842000	1		Bolt, Stopper Replaced by MA-19641842001
	MA-19641842001	1	F	Bolt, Stopper
54	MA-A3030110002	1		Nut
55	MA-35011788000	1	F	Rubber Edge Used with MA-19641842001 bolt stopper
56	MA-07961025200	4		Bushing
57	MA-A6513100300	2	S	Nipple, Grease
58	MA-03500160826	1		Washer



7234 Tractor
C/B Control (HST)

Page 17 of 200

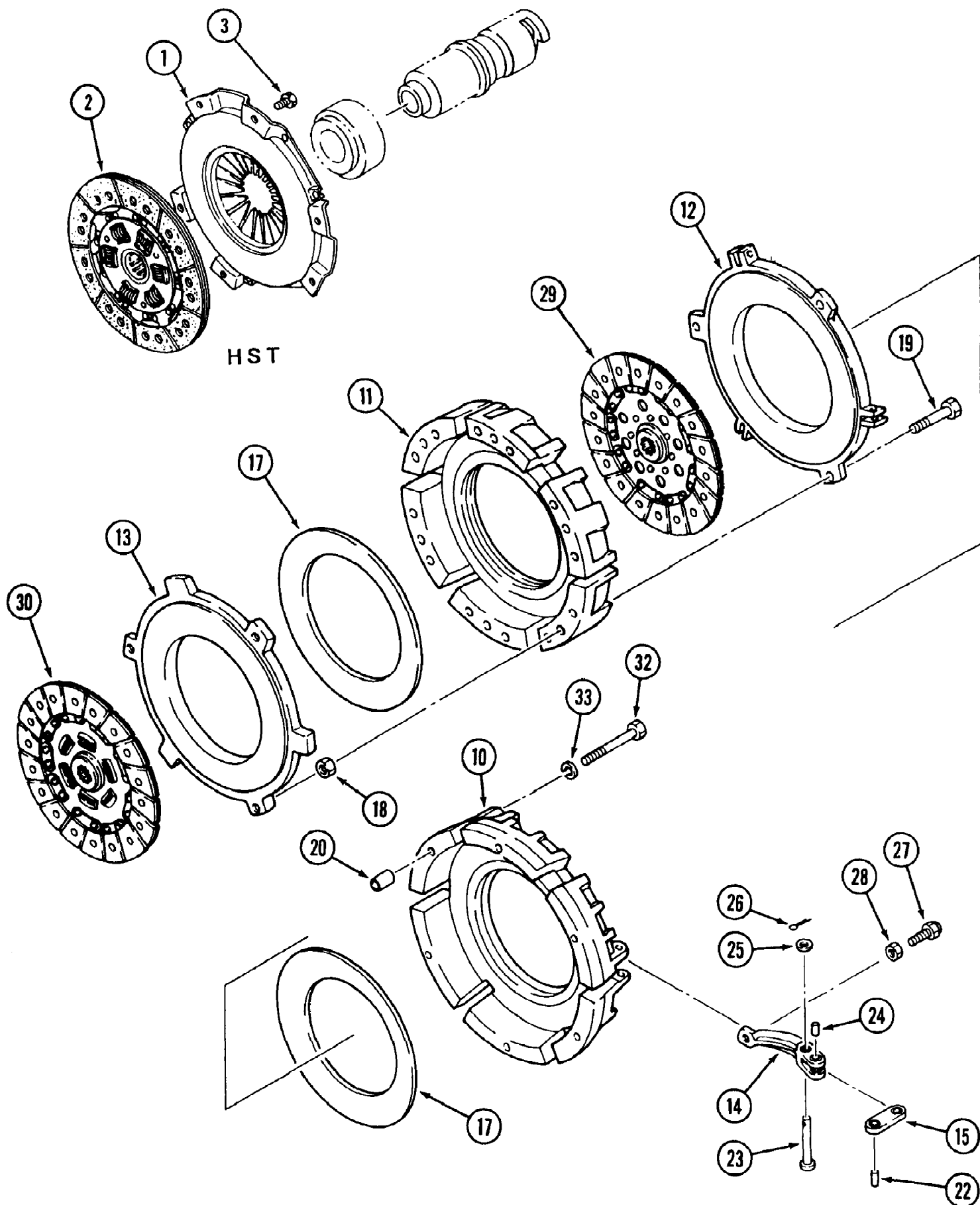
Ref #	Part Number	Qty	S/P/F	Description
1	MA-19631805AG0	1		Shaft, Brake
2	MA-19631807AG1	1		Pedal, Clutch PTO Replaces MA-19631807AG0
3		0		Pedal, Clutch Not used on this product
4	MA-07400002500	3	/P	Ring
5	MA-19631811000	1		Pin
6	MA-35155086100	1		Collar
7		0		Rod, Clutch Not used on this product
8		0		Pin, Clevis Not used on this product
9		0		Pin, Split Not used on this product
10	MA-19631815AG1	1		Pedal, Brake L.H.
11		0		Pedal, Brake L.H. Not used on this product
12	MA-07310102510	AR	/P/F	Liner
13	MA-19631816000	1		Pin, Spring
14	MA-19631817AG0	1		Pedal, Brake R.H.
15		0		Pedal, Brake R.H. Not used on this product
17	MA-19641819000	2		Rod, Brake A
18	MA-A3600101202	1		Washer
19	MA-19631821000	2		Shaft, Link
20	MA-A0730124001	2		Nut
21	MA-19641823AG0	1		Link, Brake L.H.
22	MA-19641824AG0	1		Link, Brake R.H.
24	MA-07400102200	2		Ring
25	MA-19641826000	2		Rod, Brake B
26	MA-10072222000	2		Joint
27	MA-F3030110001	2		Nut Replaces MA-F3030110001
28	MA-10251711000	2		Joint
29	MA-05620108030	2		Pin, Clevis
30	MA-05620102025	6		Pin, Clevis
32	MA-05200125020	8		Pin, Split
33	MA-03500130815	2		Washer
36	MA-27141917000	3		Spring
37	MA-F1540108025	1		Bolt
?38	MA-05621110030	1		Pin, Clevis
39	MA-05200130020	1		Pin, Split
40	MA-67700-26000	1		Collar
42	MA-07310101204	AR		Liner t=0.4 As Required
43	MA-14212284000	1		Grip
44	MA-19631839AG0	1		Lever, Parking
45	MA-11352230000	1		Spring
46	MA-19641845000	1		Rod, Clutch
49	MA-11931812000	3		Cover, Pedal
50	MA-A3030112002	2		Nut
52	MA-19631843001	1		Hook, Clutch Pedal
53	MA-19641842000	1		Bolt, Stopper Replaced by MA-19641842001
	MA-19641842001	1	F	Bolt, Stopper
54	MA-A3030110002	1		Nut
55	MA-35011788000	1	F	Rubber Edge Used with MA-19641842001 bolt stopper
56	MA-07961025200	4		Bushing
57	MA-A6513100300	2	S	Nipple, Grease
58	MA-03500160826	1		Washer



7234 Tractor
Chassis

Page 19 of 200

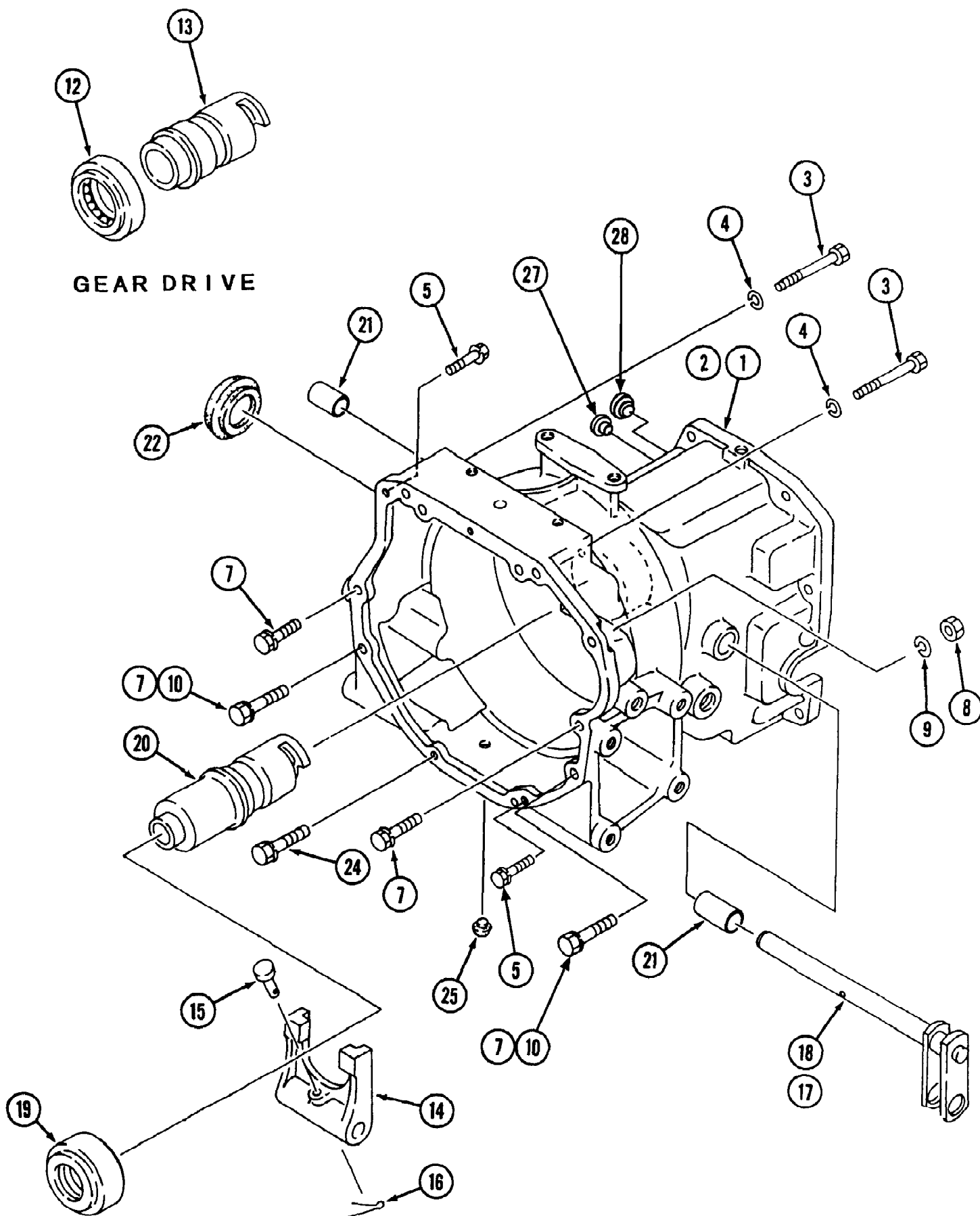
Ref #	Part Number	Qty	S/P/F	Description
1	MA-19642001AG0	1	F	Bracket, Front
	MA-19642001AG1	1	F	Bracket, Front
2		1		Bracket, Front Not used on this product
		1		Bracket, Front Not used on this product
3	MA-19642009AG0	1		Bracket, Weight
4		1		Plug Used with MA19642005AG3 Front Bracket; Not used on this product
6	MA-F9450114035	2		Bolt
9	MA-19632016AG0	1		Cover
10		1		Cover Not used on this product
11	MA-H1540108025	4		Bolt
13	MA-F9450112035	8		Bolt
15	MA-F1550112040	4		Bolt



7234 Tractor
Clutch - Dual Drive (Gear)

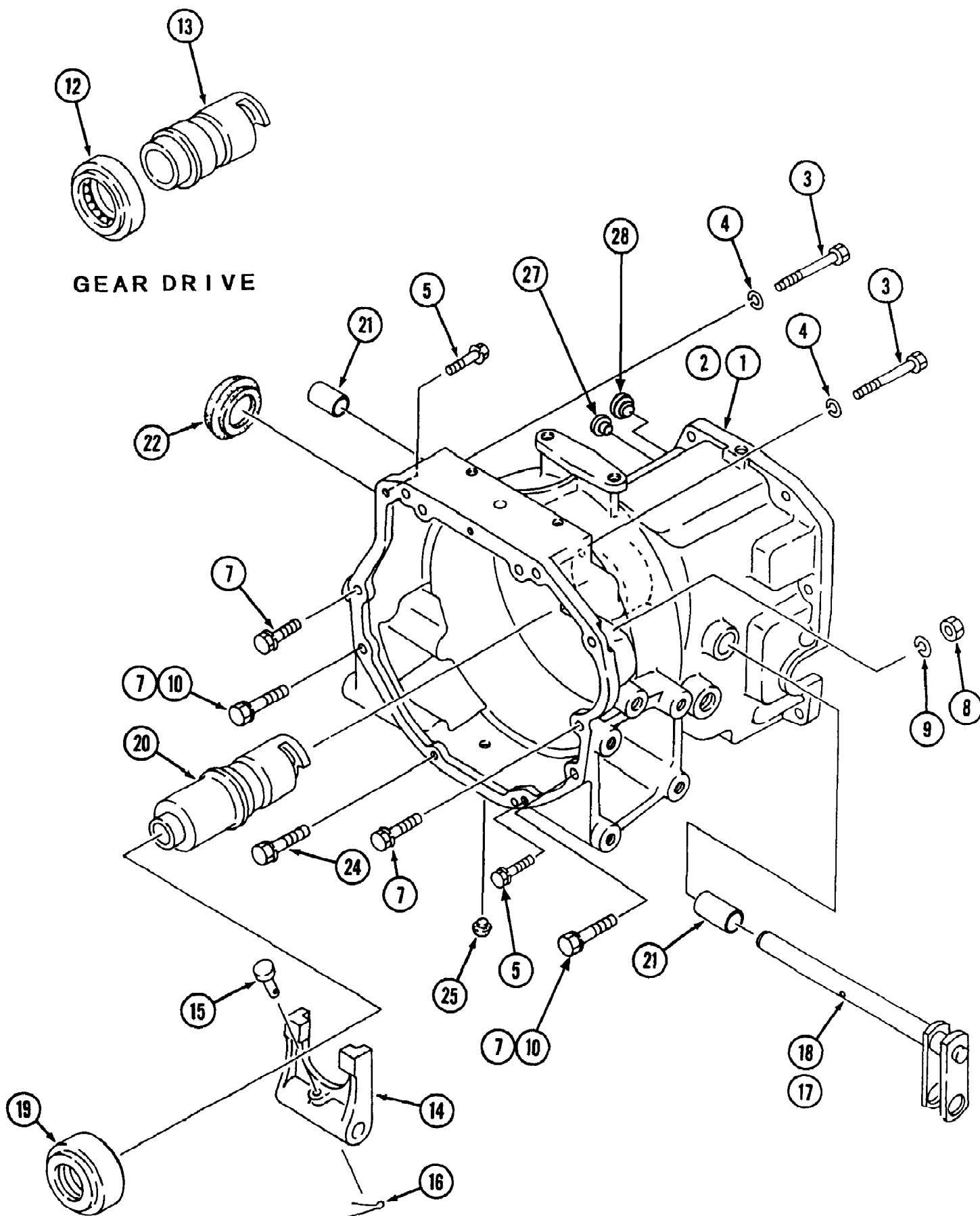
Page 21 of 200

Ref #	Part Number	Qty	S/P/F	Description
1		1		Cover Ass'y. Not used on this product
2		1		Disc, Clutch Not used on this product
3		1		Bolt Not used on this product
	MA-19631114000	1		Clutch, Ass'y.
10	MA-19631114110	1		Clutch, Cover
11	MA-19631114120	1		Clutch, Cover
12	MA-19631114130	1		Pressure Plate
13	MA-19631114140	1		Pressure Plate
14	MA-19631114150	3		Release Lever Sub Ass'y.
15	MA-19631114160	3		Release Rod Sub Ass'y.
17	MA-19631114170	2		Diaphragm Spring
18	MA-19631114180	3		Nut
19	MA-19631114190	3		Bolt
20	MA-19631114210	3		Knock Pin
22	MA-19631114220	3		Pin
23	MA-19631114230	3		Pin
24	MA-19631114240	3		Pin
25	MA-03500130815	3		Washer
26	MA-05200125016	3	S	Pin, Split
27	MA-19631114270	3		Adjust Bolt
28	MA-19631114280	3		Nut
29	MA-19631116000	1		Clutch Disc Ass'y.
30	MA-19631115000	1		Clutch Disc Ass'y. PTO
32	MA-A0540108100	6		Bolt
33	MA-A3600100802	6		Washer



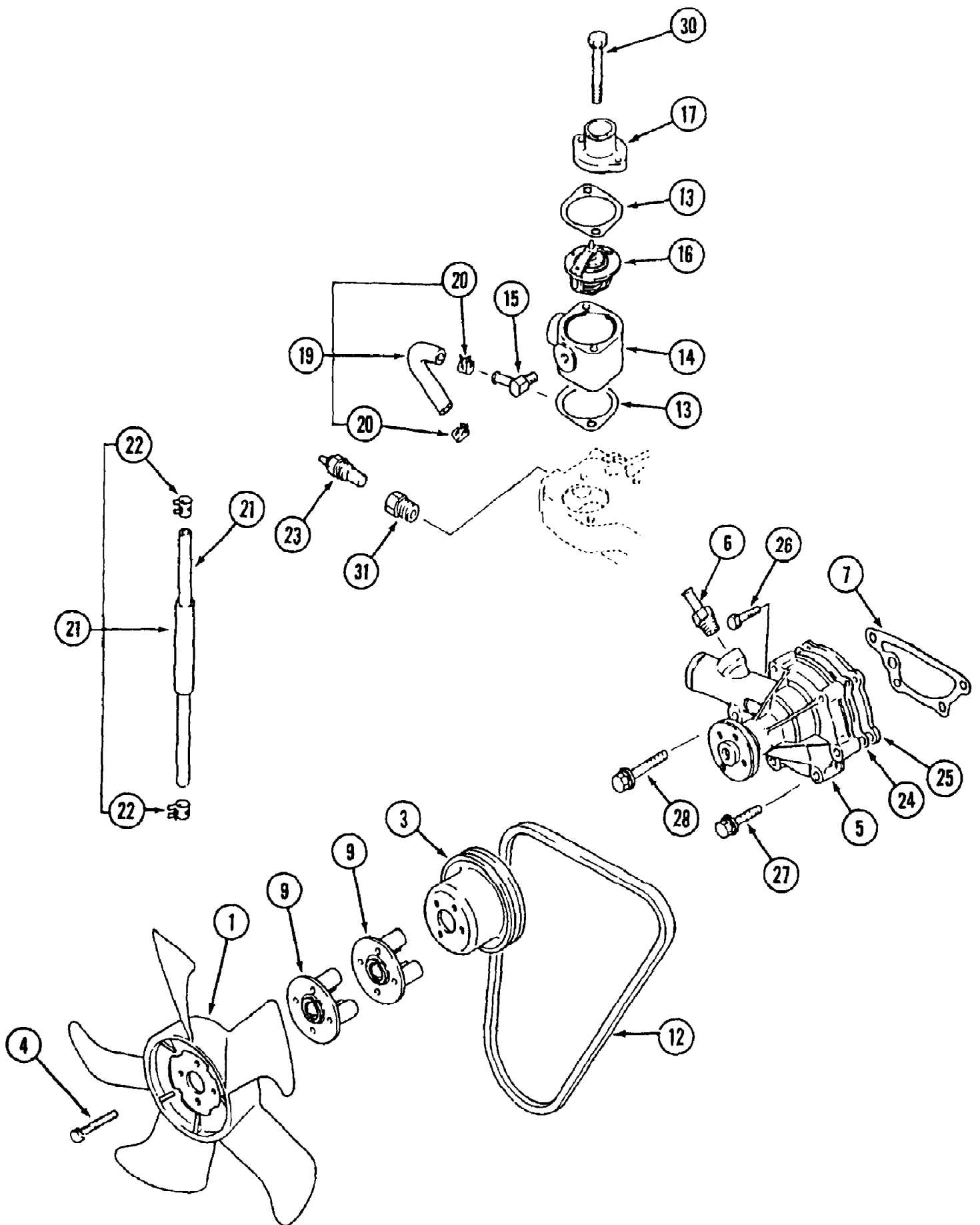
7234 Tractor
Clutch Housing (Gear Drive)

Ref #	Part Number	Qty	S/P/F	Description
1	MA-19641011AG0	1	S/F	Housing, Clutch Replaced by MA-19641012AG1.
2	MA-19641012AG0	1	S/F	Housing, Clutch Replaced by MA-19641012AG1.
	MA-19641012AG1	1	/P/F	Housing, Clutch
3	MA-A0550112100	2		Bolt Used with MA-19641011AG0 housings.
	MA-A0550112120	2		Bolt Used with MA-19641012AG1 housing.
4	MA-A3600101202	2		Washer
5	MA-F1550110025	2		Bolt
7	MA-F1550112030	2	/P	Bolt
8	MA-A3030110002	1		Nut
9	MA-A3600101002	1	/P	Washer
10	MA-F1550112050	2		Bolt (23 hp Gear only)
12	MA-11801156000	1		Bearing, Release
13	MA-19631013000	1		Hub, Release
14	MA-19631016000	1		Lever, Release
15	MA-05621108040	1		Pin, Clevis
16	MA-05200125016	1	S	Pin, Split
17	MA-19641014AG0	1		Shaft, Release
18		0		Shaft, Release Not used on this product
19		0		Bearing Not used on this product
20		0		Hub, Release Not used on this product
21	MA-07972020150	2		Bushing
22	MA-13333103000	1		Cap
24	MA-F1550110020	1		Bolt
25	MA-27613733000	1		Cap
27	MA-05534-10000	1		Plug Used with MA-19641012AG0 housing
		3		Plug Used with MA-19641012AG1 housing
28	MA-11190573000	1		Plug Used with MA-19641012AG0 & MA-19641012AG1 housings



7234 Tractor
Clutch Housing (HST)

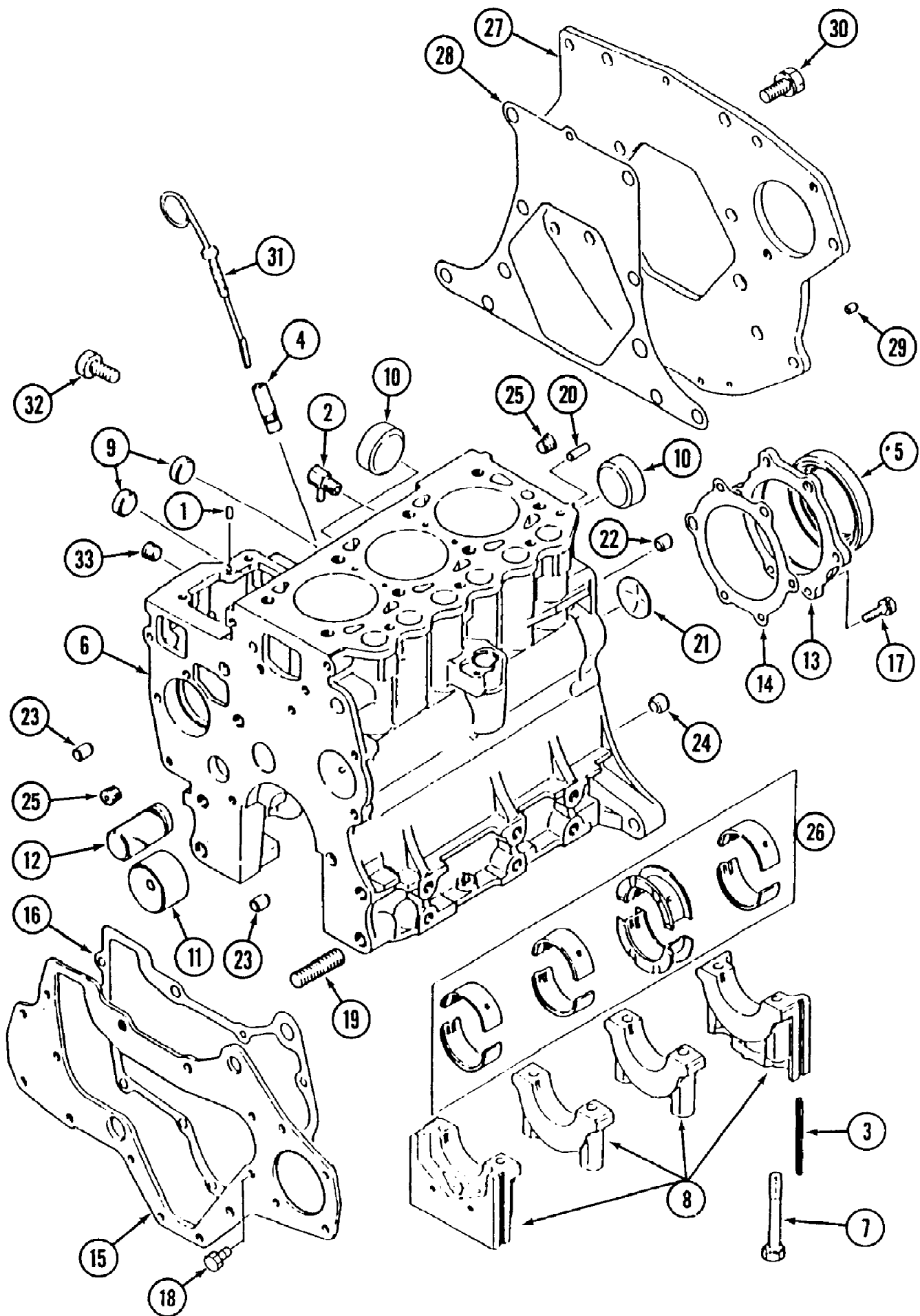
Ref #	Part Number	Qty	S/P/F	Description
1		0		Housing, Clutch Not used on this product; Replaced by MA-19641012AG1. 7232 S/N 20652 & Lower, 7234 S/N 20820 & Lower, 7272 S/N 20670 & Lower, 7274 S/N 20864 & Lower; Replaced by MA-19641012AG1 by also ordering plug MA-05534-10000 (qty. 3), plug MA-11190573000 (Qty. 1) and bolt MA-A0550112120 (Qty. 2)
2	MA-19641012AG0	1	S/F	Housing, Clutch Replaced by MA-19641012AG1.
	MA-19641012AG1	1	/P/F	Housing, Clutch
3	MA-A0550112100	2		Bolt Used with MA-19641011AG0 housings.
	MA-A0550112120	2		Bolt Used with MA-19641012AG1 housing.
4	MA-A3600101202	2		Washer
5	MA-F1550110025	2		Bolt
7	MA-F1550112030	2	/P	Bolt
8	MA-A3030110002	1		Nut
9	MA-A3600101002	1	/P	Washer
10	MA-F1550112050	2		Bolt (23hp HST only)
12		0		Bearing, Release Not used on this product
13		0		Hub, Release Not used on this product
14	MA-19631016000	1		Lever, Release
15	MA-05621108040	1		Pin, Clevis
16	MA-05200125016	1	S	Pin, Split
17		0		Shaft, Release Not used on this product
18	MA-19631014AG0	1		Shaft, Release
19	MA-11761015000	1		Bearing
20	MA-19631015000	1		Hub, Release
21	MA-07972020150	2		Bushing
22	MA-13333103000	1		Cap
24	MA-F1550110020	1		Bolt
25	MA-27613733000	1		Cap
27		1		Plug Used with MA-19641012AG0 housing; Not used on this product
		2		Plug Used with MA-19641012AG1 housing
28		1		Plug Used with MA-19641012AG0 & MA-19641012AG1 housings; Not used on this product



7234 Tractor
Cooling Parts

Page 27 of 200

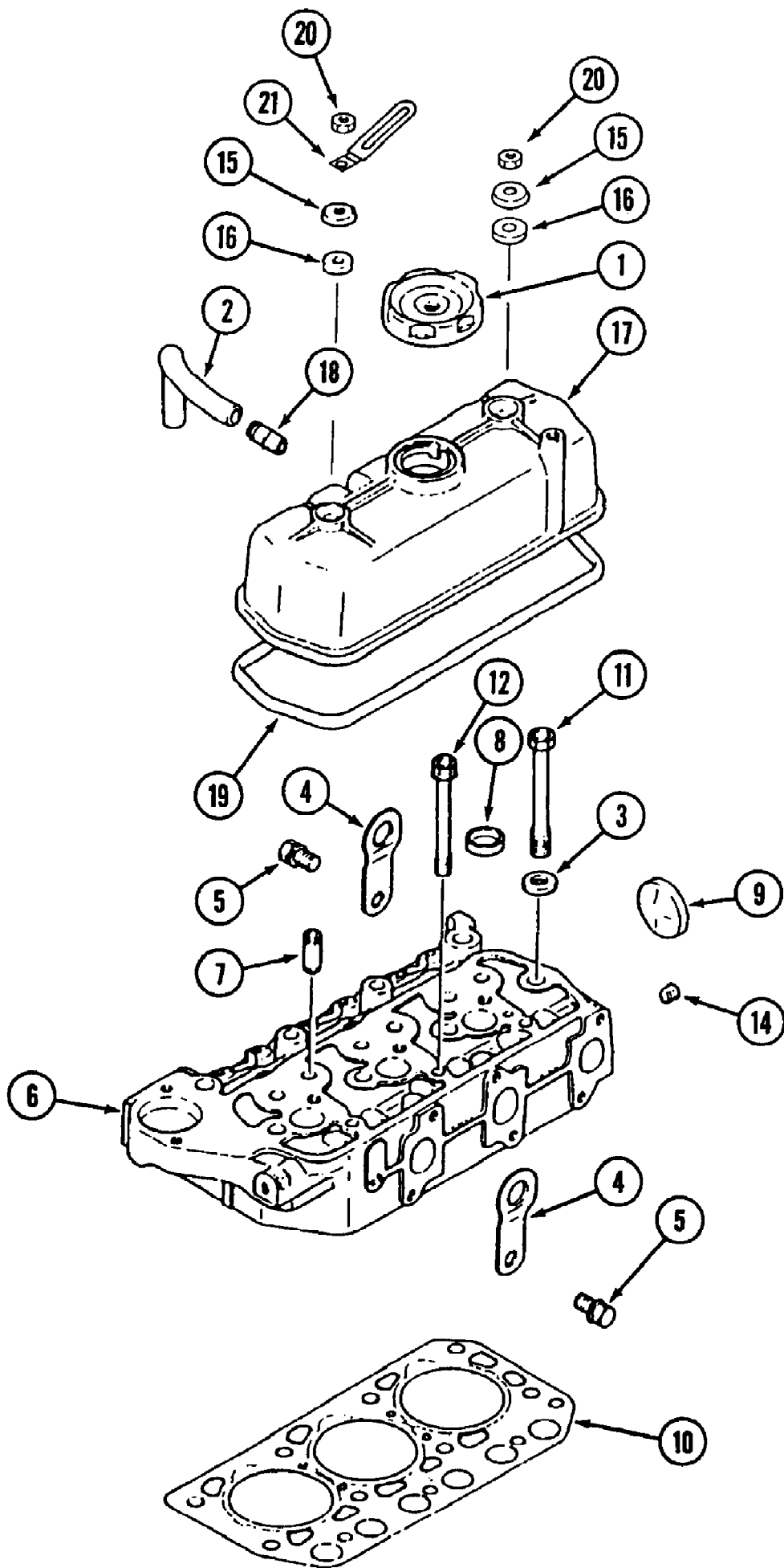
Ref #	Part Number	Qty	S/P/F	Description
1	MA-MD009015	1		Fan, Cooling
3	MA-MM405460	1		Pulley, Water Pump
4	MA-MF241242	4		Bolt, w/Washer
5	MA-MM409302	1		Water Pump Ass'y.
6	MA-MM409314	1		Nipple, Base
7	MA-30H45-00100	1	S	Gasket, Water Pump
9	MA-MD011338	2	S	Spacer, Fan
12	MA-MM436057	1		Belt, Fan
13	MA-MD000551	2	S	Gasket
14	MA-MM409334	1		Fitting, Thermostat
15	MA-MM409311	1		Joint, Water Hose
16	MA-MD075460	1	S	Thermostat
17	MA-MM409313	1	S	Fitting, Water Outlet
19	MA-MM409336	1		Hose Ass'y., Water
20	MA-MS660164	2		Clip, Hose
21	MA-30A46-00500	1		Hose Ass'y., Water Drain
22	MA-MS660163	2		Clip, Hose
23	MA-MD001380	1		Unit, Thermo
24	MA-MM409326	1		Gasket, Water Pump
25	MA-MM409327	1		Plate, Water Pump
26	MA-MF240031	2		Bolt, w/Washer
27	MA-MF244860	3	S	Bolt, w/Washer
28	MA-MF244863	1		Bolt, w/Washer Ass'y.
30	MA-MF241267	2		Bolt, w/Washer
31	MA-MA604250	1	S	Joint, Thermo Gauge Unit



7234 Tractor
Crankcase

Page 29 of 200

Ref #	Part Number	Qty	S/P/F	Description
1	MA-MM409645	2		Pin, Dowel
2	MA-MM408260	1	S	Joint, Water Drain
3	MA-MM406228	4		Seal, Side
4	MA-MM430613	1		Guide, Oil Level Gauge
5	MA-MM406242	1		Seal, Oil
6	MA-30A07-09050	1		Cylinder, Block, Sub Assembly
7	MA-MM406217	8		Bolt, Bearing Cap
8		1		Bearing, Cap Ass'y. Part of Cylinder Block Sub Ass'y
9	MA-MF665538	2	S	Cap, Sealing
10	MA-MF665543	2	S	Cap, Sealing
11	MA-MM408176	1		Bushing, Camshaft
12	MA-MM430113	1		Shaft, Idler
13	MA-MM408200	1		Case, Oil Seal
14	MA-30A07-00101	1	/P	Gasket, Oil Seal replaces MA-30A07-00100
15	MA-MM408221	1		Plate, Front
16	MA-30A07-00200	1	S	Gasket, Front Plate
17	MA-MF240054	6		Bolt,
18	MA-MF240051	3		Bolt,
19	MA-MF402635	2		Stud
20	MA-MF472404	1		Pin, Dowel
21	MA-MF665511	1	S	Plug, Expansion
22	MA-MS471104	2		Bushing, Knock
23	MA-MS471105	2		Bushing, Knock
24	MA-MS471110	1		Bushing, Knock
25	MA-MS661141	2		Plug, Taper
26	MA-MM437880	1	S	Bearing, Set STD.
26	MA-MM437881	1	S	Bearing, Set 0.25 US
26	MA-MM437882	1		Bearing, Set 0.50 US
26	MA-MM437883	1	S	Bearing, Set 0.75 US
27	MA-30A12-00500	1		Plate, Rear
28	MA-30A12-00300	1	S	Gasket, Rear Plate
29	MA-MM408240	1		Pin, Knock
30	MA-MF241308	6	S	Bolt,
31	MA-30A42-00100	1		Gauge, Oil Level
32	MA-MF100110	4		Bolt
33	MA-MS661121	1		Plug, Taper



7234 Tractor
Cylinder Head

Page 31 of 200

Ref #	Part Number	Qty	S/P/F	Description
1	MA-MD008784	1		Cap, Oil Filter
2	MA-30A43-00100	1		Pipe, Air Breather
3	MA-MD020733	8		Washer
4	MA-MM408470	2		Hanger, Engine
5	MA-MF241280	2		Bolt, w/Washer
6	MA-30A01-09020	1		Cylinder, Head Ass'y.
7	MA-MM408441	6		Guide, Valve
8	MA-MF665538	3	S	Cap, Sealing
9	MA-MF665543	1	S	Cap, Sealing
10	MA-30A01-02800	1	S	Gasket, Cylinder Head
11	MA-MM408481	8	S	Bolt, Cylinder Head
12	MA-30A01-03100	3		Bolt, Cylinder Head
14	MA-MS661140	1		Plug, Taper
15	MA-MM408509	2		Washer
16	MA-MD000523	2		Seal, Oil
17	MA-MM409857	1		Rocker, Cover
18	MA-K9644171	1		Pipe
19	MA-MM408501	1		Gasket, Rocker Cover
20	MA-MF430005	2		Nut
21	MA-MS470058	1		Clip



7234 Tractor
Decal

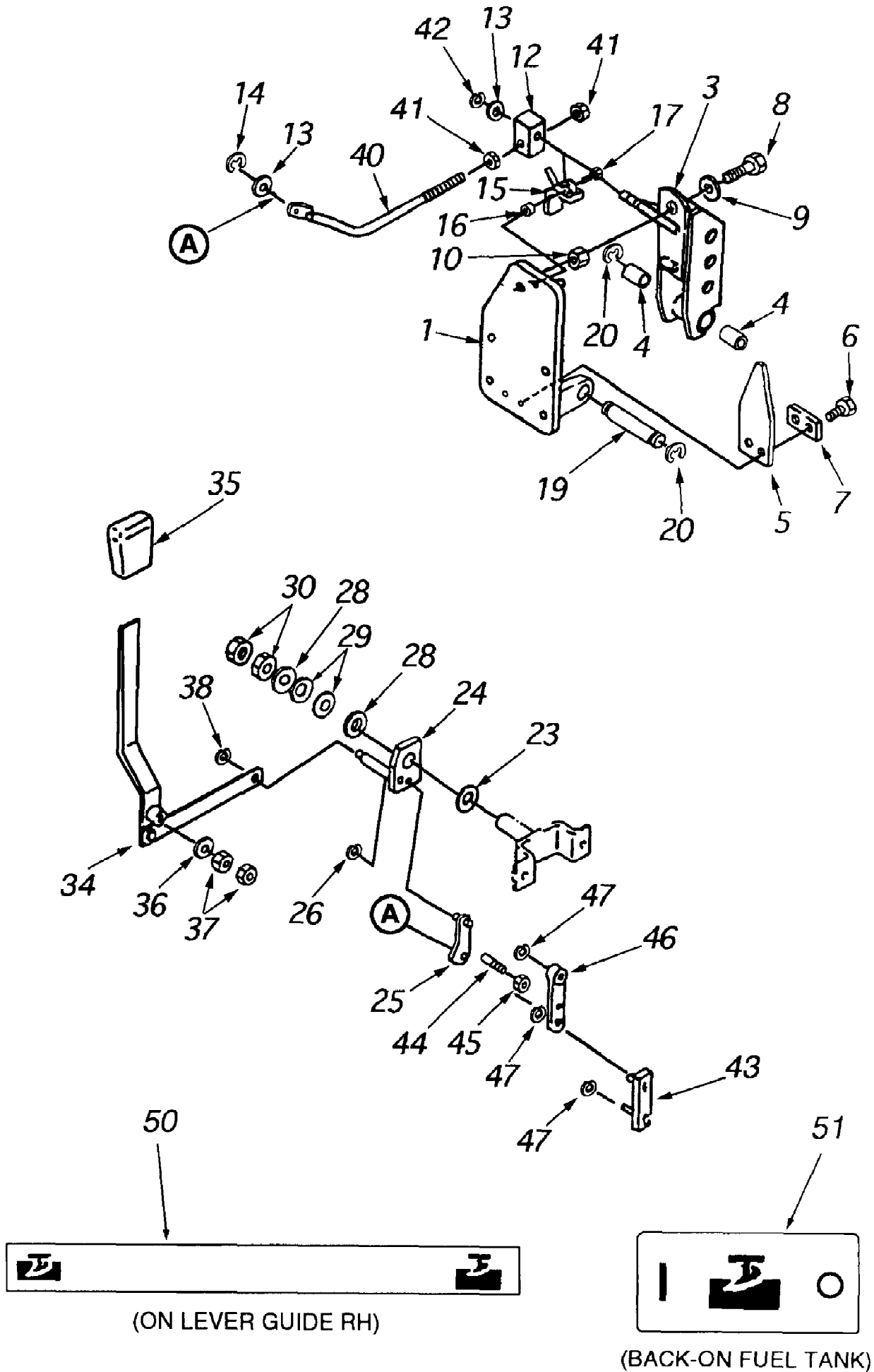
Page 33 of 200

Ref #	Part Number	Qty	S/P/F	Description
1	MA-19682753000	1	F	Label, Side L.H. W/O screen hole & w/o `by MTD'
	MA-19682753001	1		Label, Side L.H. W/screen hole & w/o `by MTD'
	MA-19682753003	1		Label, Side L.H. W/screen hole & w/`by MTD'
2	MA-19682754000	1	F	Label, Side R.H. W/O screen hole & w/o `by MTD'
	MA-19682754001	1		Label, Side R.H. W/screen hole & w/o `by MTD'
	MA-19682754003	1		Label, Side R.H. W/screen hole & w/`by MTD'
3	MA-19672703000	1	F	Label, Rear L.H. Used with MA-19682753000 & MA-19682753001 side panel labels.
	MA-19672703001	1		Label, Rear L.H. Used with MA-19682753003 side panel label.
4	MA-19672704000	1	F	Label, Rear R.H. Used with MA-19682754000 & MA-19682753001 side panel labels.
		1		Label, Rear R.H. Used with MA-19682754003 side panel label.
5	MA-19042711001	1		Label, Steering
6	MA-19682713000	2		Label, Model 7232
	MA-19682713002	2		Label, Model 7232 w/`2WD-Gear'
7	MA-19682714000	2		Label, Model 7234
	MA-19682714002	2		Label, Model 7234 w/`4WD-Gear'
8	MA-19682715000	2		Label, Model 7235
	MA-19682715002	2		Label, Model 7235 w/`4WD-Hydro'
9		1		Label, Model 7272 Not used on this product
		1		Label, Model 7272 w/`2WD-Gear'; Not used on this product
10		1		Label, Model 7274 Not used on this product
		1		Label, Model 7274 w/`4WD-Gear'; Not used on this product
11		1		Label, Model 7275 Not used on this product
		1		Label, Model 7275 w/`4WD-Hydro'; Not used on this product
13	MA-19642711000	1		Label, Speed
14	MA-19642712000	1		Label, Speed
16	MA-19632727000	1		Label, AST Control
17	MA-19632732000	1		Label, SP Control
18	MA-19042746000	1		Label, Warning
19	MA-19632737000	1		Label, Warning
20	MA-19042759000	1		Label, Warning
21	MA-19632718000	1		Label, Diff. Lock
22	MA-19042765001	1		Label, Warning
23	MA-19042761000	1		Label, Warning
24	MA-19642715000	1		Mark Range
25	MA-19682771000	2		Label, Model 7233
	MA-19682771002	2		Label, Model 7233 w/`2WD-Hydro'
26		1		Label, Model 7273 Not used on this product

7234 Tractor
Decal

Page 34 of 200

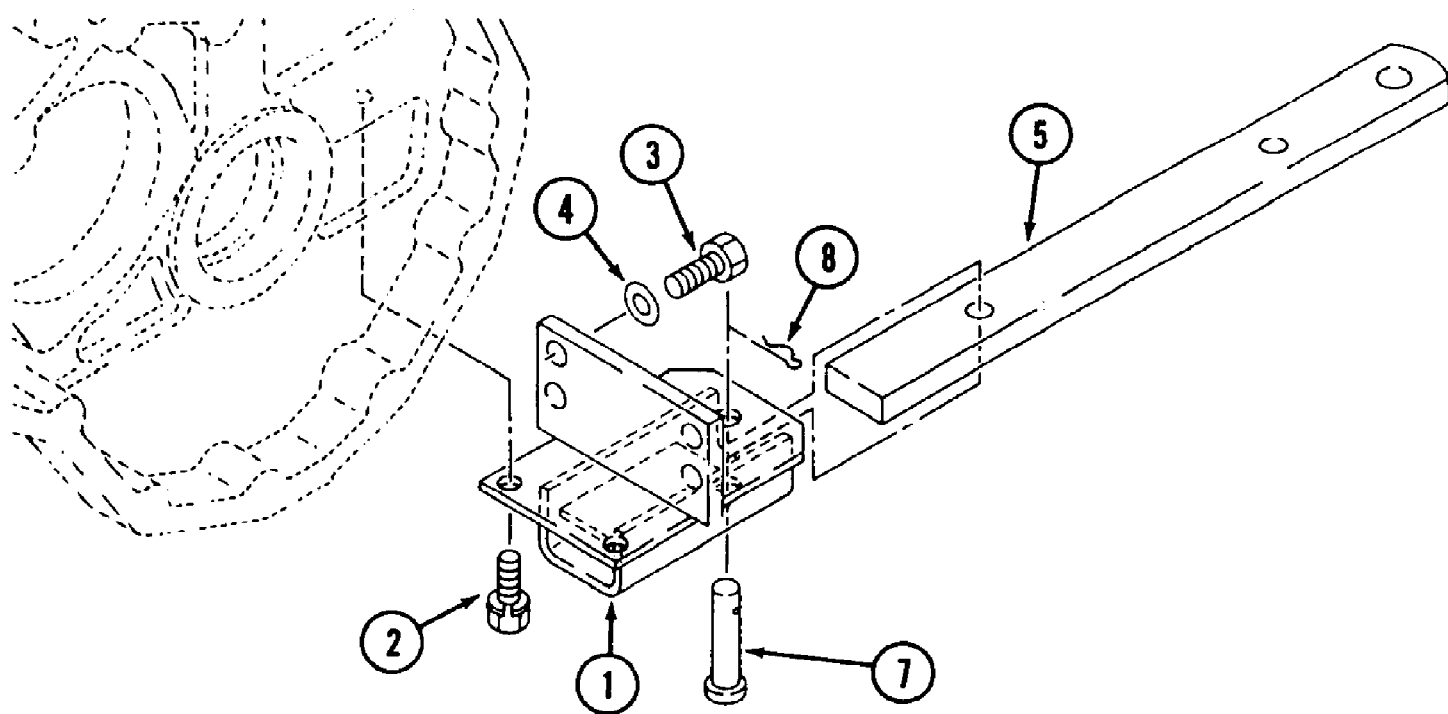
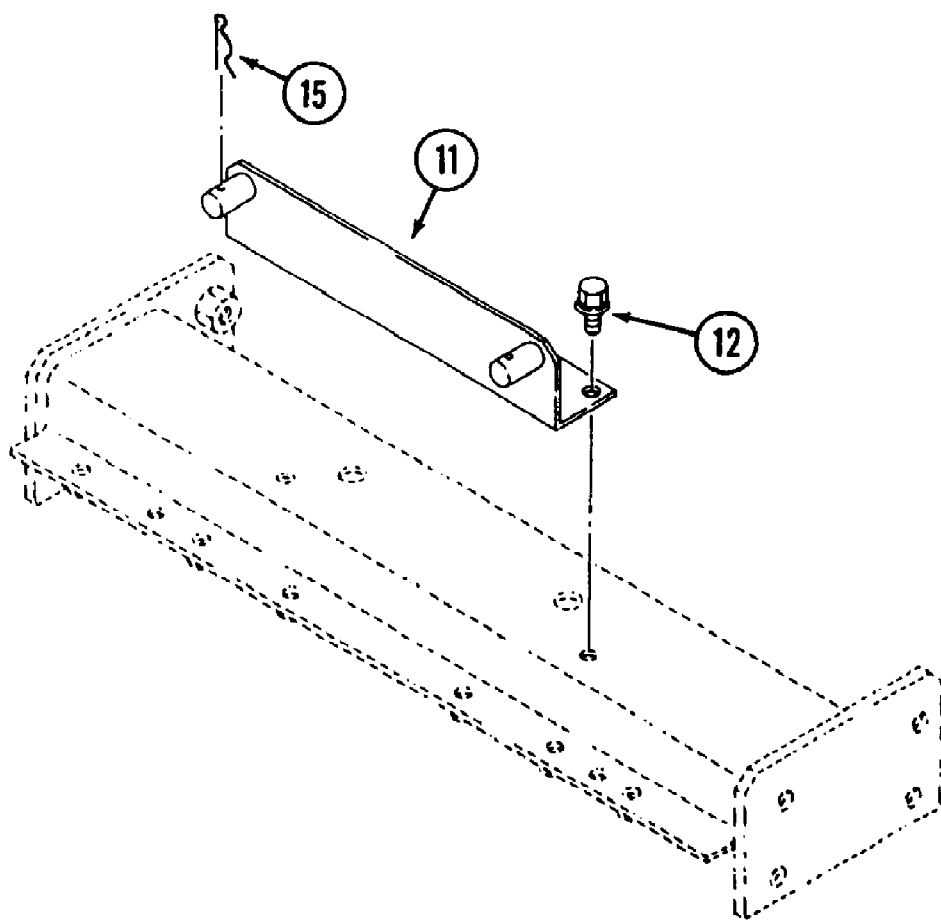
Ref #	Part Number	Qty	S/P/F	Description
		1		Label, Model 7273 w/ 2WD-Hydro!; Not used on this product
27	MA-19632717000	1		Label, Brake
28		0		Label, Declutch Not used on this product
29	MA-19632722000	1		Label, Tilt
30	MA-19672725000	1		Label, Proposition Beginning with Serial No. 20611
32	MA-19642714000	1		Label, Main
34	MA-19632731000	1		Label, MFD
35	MA-19632723000	1		Label, DRC
37	MA-19642781000	1		Label, Position
40	MA-19632881BD0	1		Plate, SMV
41	779-3618	1	S	Emblem, SMV
42	MA-H2420106016	2		Screw
43	MA-F3012108001	2		Nut
	MA-19642618BC0	0		Side Cover
	MA-19682618BC0	0		Side Cover
	MA-19642619BC0	0		Side Cover
	MA-19682619BC0	0		Side Cover



7234 Tractor
Draft Control Kit

Page 36 of 200

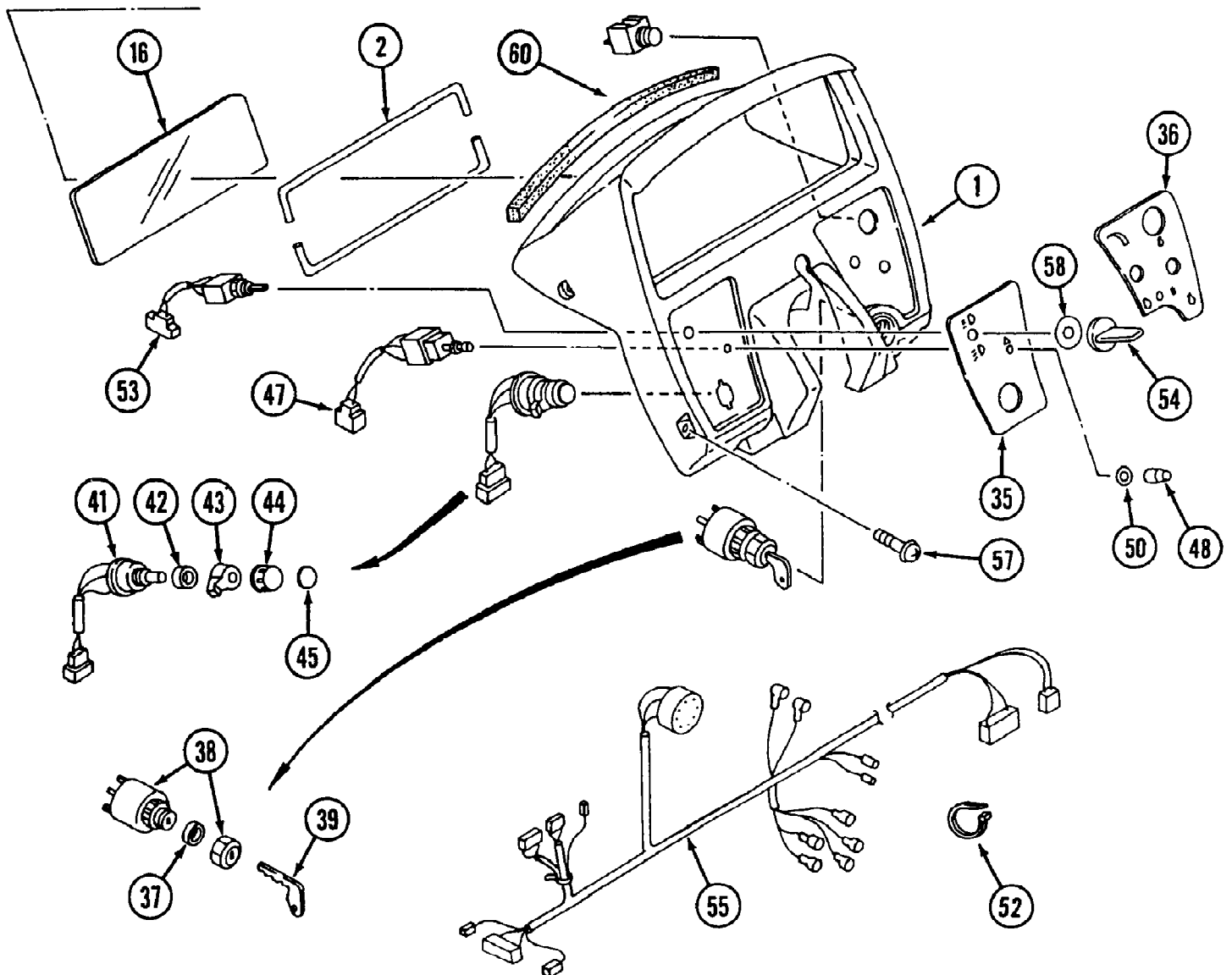
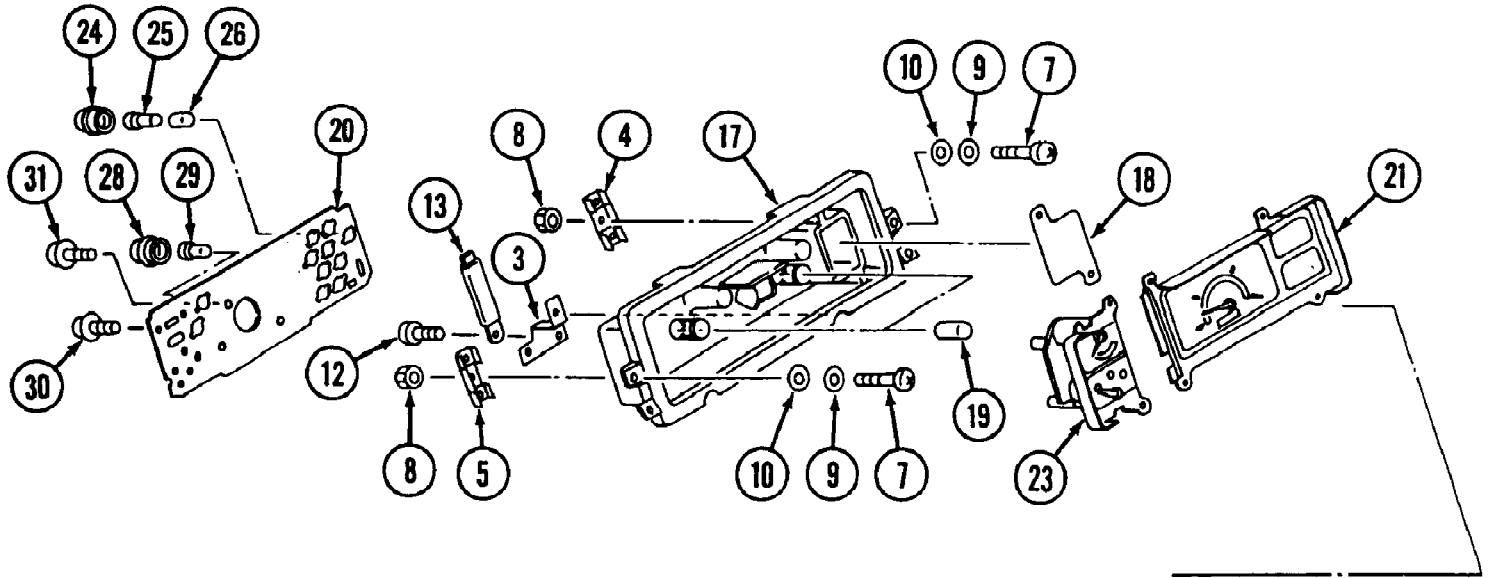
Ref #	Part Number	Qty	S/P/F	Description
	MA-DCS30	1		Draft Control Kit Includes items 1-51
1	MA-19842435AG0	1		Bracket
3	MA-19842436AG0	1		Bracket, Top Link
4	MA-07961020300	2		Bushing
5	MA-19962404AG0	1	/P	Spring,Leaf
6	MA-F1550110035	2		Bolt
7	MA-19962405AG0	1		Plate
8	MA-A0550116060	1		Bolt
9	MA-03500151632	1	/P	Washer
10	MA-A3030116002	1		Nut
12	MA-19842429000	1		Block
13	MA-03500141022	2		Washer
14	MA-07420100800	1		Ring
15	MA-19852411AG0	1		Stopper
16	MA-67700-26000	1		Collar
17	MA-H1540108020	1		Bolt
19	MA-11742453000	1		Pin
20	MA-07420101500	2	S	Ring
23	MA-19642468000	1		Sheet
24	MA-19642469000	1		Arm, Draft
25	MA-19642471000	1		Link, Draft
26	MA-07420100600	1		Ring
28	MA-03500162040	2		Washer
29	MA-03560102001	2		Spring
30	MA-A3030120003	2		Nut
34	MA-19642473AG0	1		Lever, D/C Ass'y.
35	MA-11742449000	1		Grip
36	MA-03500150822	1		Washer
37	MA-A3010108002	2		Nut
38	MA-07420100600	1		Ring
40	MA-19642477000	1		Rod, Draft
41	MA-A3030110002	2		Nut
42	MA-07420100800	1		Ring
43	MA-19642478000	1		Link
44	MA-19292163000	1		Bolt
45	MA-A3010108002	1		Nut
46	MA-19682429AG0	1		Arm, Select Replaces P/N MA-10192429AG0
47	MA-07420100600	3		Ring
50	MA-19642782000	1		Label, Draft
51	MA-19642785000	1		Label D, Lock



7234 Tractor
Drawbar

Page 38 of 200

Ref #	Part Number	Qty	S/P/F	Description
1	MA-19633101AG0	1		Bracket
2	MA-F1540112030	2		Bolt
3	MA-A0400114035	4		Bolt
4	MA-03550161428	4		Washer
5	MA-19633102AG0	1		Drawbar
7	MA-05620116070	1		Pin, Clevis
8	MA-05210116000	1		Pin, Snap
11	MA-19633105AG0	1		Bracket, Drawbar
12	MA-H1540108020	2		Bolt
15	MA-05210116000	2		I Pin, Snap



7234 Tractor
Electric System - Dash Panel & Gauges

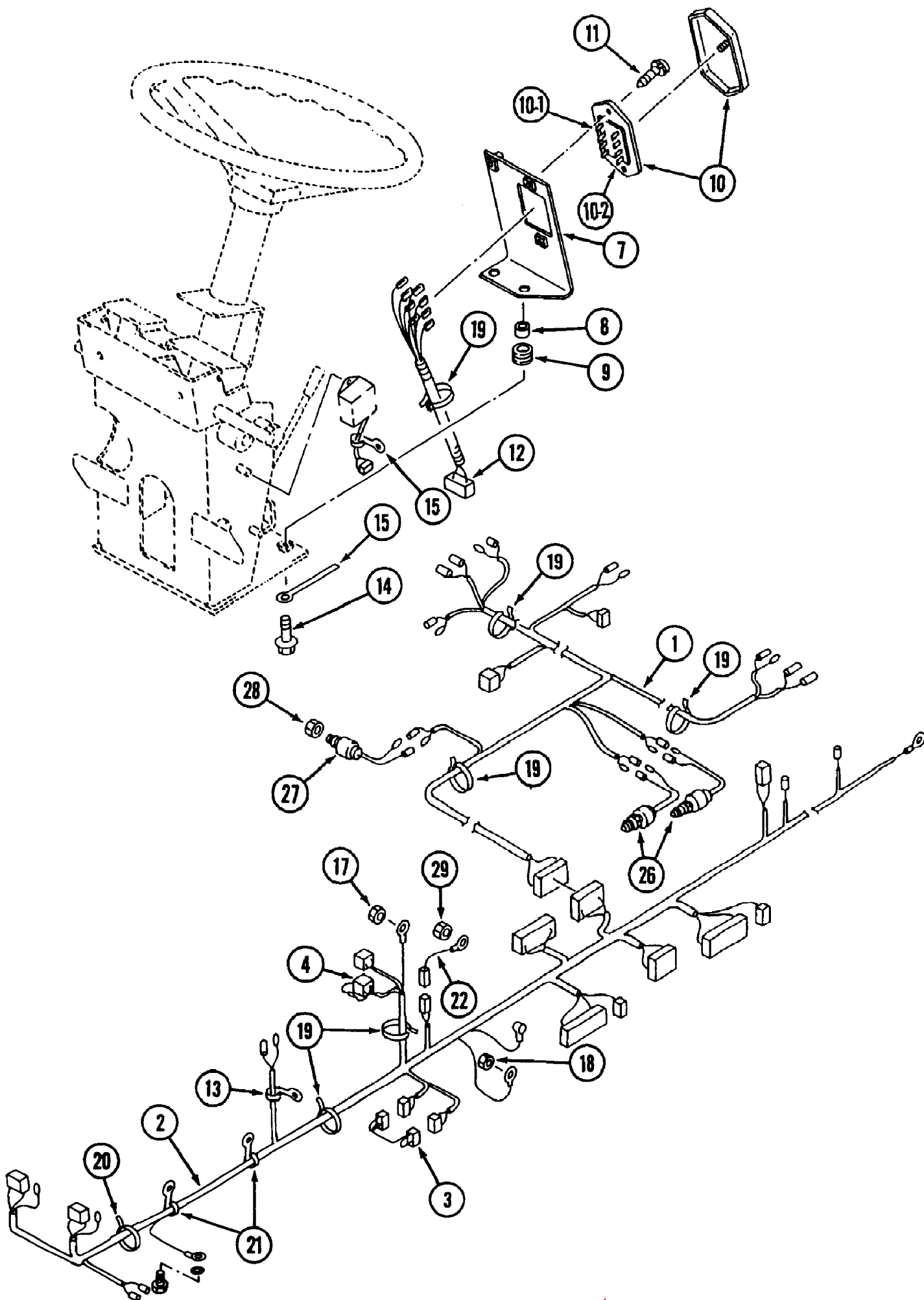
Page 40 of 200

Ref #	Part Number	Qty	S/P/F	Description
	MA-19672911000	1		Panel Ass'y. Includes Items #1-55.
1	MA-10322851100	1		Panel
2	MA-10253501300	1		Packing
3	MA-10253501500	2		Bracket C
4	MA-10253501600	1		Bracket L
5	MA-10253501800	1		Bracket R
7	MA-A2420105016	4		Screw
8	MA-A3000105002	4		Nut
9	MA-A3600100502	4		Washer
10	MA-03500120512	4		Washer
12	MA-35180813900	8		Screw
13	MA-36630836200	2		Clamp
	MA-19632911500	1		Meter Ass'y. Includes Items #16-31.
16	MA-19632911200	1	S	Glass Ass'y.
	MA-19632911300	1		Case Ass'y. Includes Items #17-19.
17	MA-10253502800	1		Case
18	MA-19632911320	1		Plate, Monitor
19	MA-10253502820	2		Lens, Indicator
20	MA-19632911520	1		Board, Print
21	MA-19632911530	1		Tachometer
23	MA-19632911540	1		Meter, Fuel & Temp.
	MA-10253502300	4	/P	Bulb Ass'y. Includes Items #24-26.
24	MA-10253502310	4		Socket
25	MA-09808120348	4		Bulb
26	MA-10253502320	4	S	Cap
28	MA-10253502410	5		Socket
29	MA-09808120348	5		Bulb
30	MA-H2420104010	4		Screw
31	MA-10253502900	2		Screw
35	MA-19632911700	1		Label, Panel L.H.
36	MA-19632911800	1		Label, Panel R.H.
	MA-19632914000	1		Starter Ass'y. Includes Items #37-39.
37	MA-19042849000	1		Packing, Starter
38	MA-37040820000	1		Switch, Starter
39	MA-11352815500	2	S	Key, Starter
	MA-19632916000	1	/P	Switch, Combination Includes Items #41-45.
41	MA-19632916100	1	S	Switch, Body Ass'y.
42	MA-35310806200	1		Ring, Nut
43	MA-35310806300	1		Flasher, Lever
44	MA-35310806400	1		Lighting, Knob
45	MA-19632916300	1		Label, Lamp
	MA-19632917000	1		Switch, Hazard Includes Items #47-50.
47	MA-19632917200	1		Switch
48	MA-11742944000	1		Switch, Cover
50	MA-03500130615	1		Washer
52	MA-35180817700	1		Band, Wire
53	MA-19632918000	1		Switch, Light H/L
54	MA-10322889000	1		Boot
55	MA-19632921000	1		Harness P
57	MA-A2520706012	4		Screw
58	MA-19632919000	1		Packing, Rubber
60	MA-37357619700	1		Seal, Dust

7234 Tractor
Electric System - Engine System & Lights

Page 42 of 200

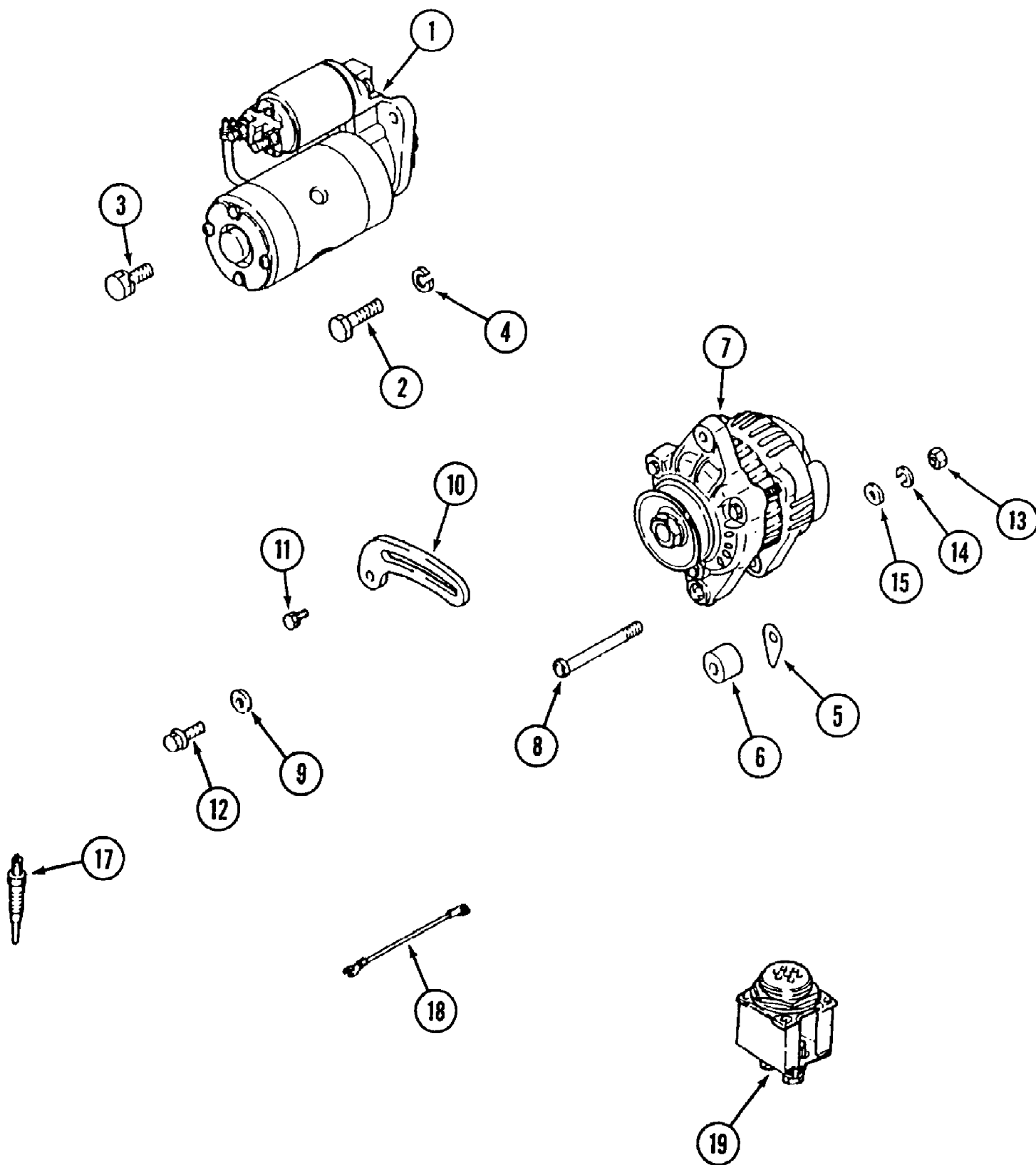
Ref #	Part Number	Qty	S/P/F	Description
	MA-10192840001	2		Lamp Head Includes Items #1-3.
1	MA-10192841000	2		Unit, Semi Sealed Beam
2	MA-67404-01720	2	/P	Bulb
3	MA-10192842002	2		Socket
4	MA-10192849001	6		Spring
5	MA-F3000105001	6		Nut, Flange
	MA-19822828000	1		Lamp, Tail Ass'y. Includes Items #8-16.
8	MA-19822822110	1		Socket
9	MA-19822822120	1		Bulb
10	MA-19822822130	1		Gasket
11	MA-19822822140	1		Lens
12	MA-A2320103030	2		Screw
13	MA-19831744000	1		Tube
14	MA-A2420105012	2		Screw
15	MA-A3600100502	2		Washer, Spring
16	MA-03500120512	2		Washer
17	MA-F3000105001	2		Nut, Flange
21	MA-19632935AG0	1	S	Bracket, Lamp L.H.
23	MA-00502110083	4		Clamp
24	MA-19632936AG0	1	S	Bracket, Lamp R.H.
25	MA-F1540108012	6		Bolt
26	MA-10192279000	2		Reflector
27	MA-F3000106001	2		Nut, Flange
28	MA-03500140818	2		Washer
31	MA-19082987000	1		Cord Ass'y.
32	MA-19042983000	1		Cord Battery
35	MA-37040834000	2		FT Bolt
37	MA-A3600100802	2		Washer
38	MA-10253514000	1		Cable, Flexible
39	MA-00401002501	1		Grommet
40	MA-19632944001	1		Unit, Hazard
41	MA-F3000106001	2		Nut
42	MA-00502110083	2		Clamp
43	MA-F3010108001	2		Nut
44	MA-19822884000	2		L-Bolt
45	MA-19822885AG0	1		Clamp, Battery
46	MA-F3000106011	2		Nut
	MA-19822821000	2		Lamp, Signal Includes Items #48-55.
48	MA-19822821110	2		Gasket
49	MA-19822821120	2		Bulb
50	MA-19822821130	2		Lens A
51	MA-19822821140	2		Lens B
52	MA-04322104040	6		Screw
53	MA-A3000110002	2		Nut
54	MA-03710110000	2		Washer, Tooth
55	MA-19822821190	2		Code
56	725-3174	1	S	Battery, 500CCA



7234 Tractor
Electric System - Fuse Panel & Safety Switch

Page 44 of 200

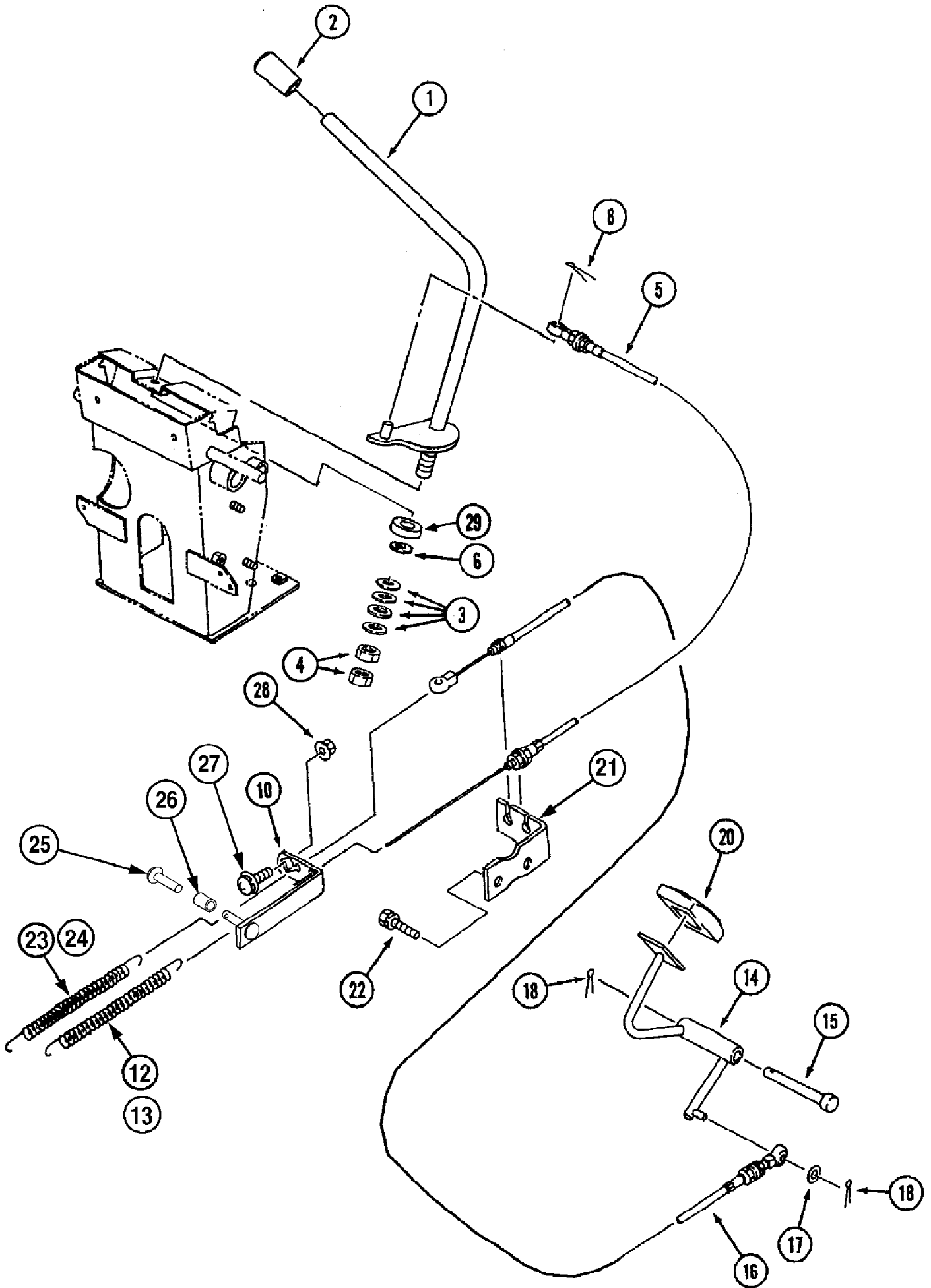
Ref #	Part Number	Qty	S/P/F	Description
1	MA-19682925000	1		Harness B
	MA-19632948001	1	S	Harness E Includes Items #2-4.
2	MA-19632948101	1		Harness
3	MA-10253543000	1		Fusible Link
4	MA-10253523000	1		Diode
10-1	MA-09801002001	2		Fuse, 20 Amp
10-2	MA-09801001101	2		Fuse, 10 Amp
7	MA-19642947AG1	1		Bracket, Fuse
8	MA-13332837000	2		Spacer
9	MA-00401001200	2		Grommet
10	MA-19852918000	1		Box, Fuse Includes Ref. Nos. 10-1 and 10-2
11	MA-H2420105016	2		Screw
12	MA-19632923000	1		Harness D
13	MA-00502108063	1		Clamp
14	MA-H1540108025	2		Bolt
15	MA-00502114083	3		Clamp
17	MA-F3000105001	1		Nut
18	MA-F3010108001	1		Nut
19	MA-00511070070	6		Band, Wire
20	MA-00511032070	1		Band, Wire
21	MA-00502114083	2		Clamp
22	MA-19632945000	1		Harness M
26	MA-10253505001	2	/P	Switch, Safety
27	MA-10253505401	1	S	Switch
28	MA-11422881120	1		Nut
29	MA-F3010108001	1		Nut



7234 Tractor
Electrical Equipment

Page 46 of 200

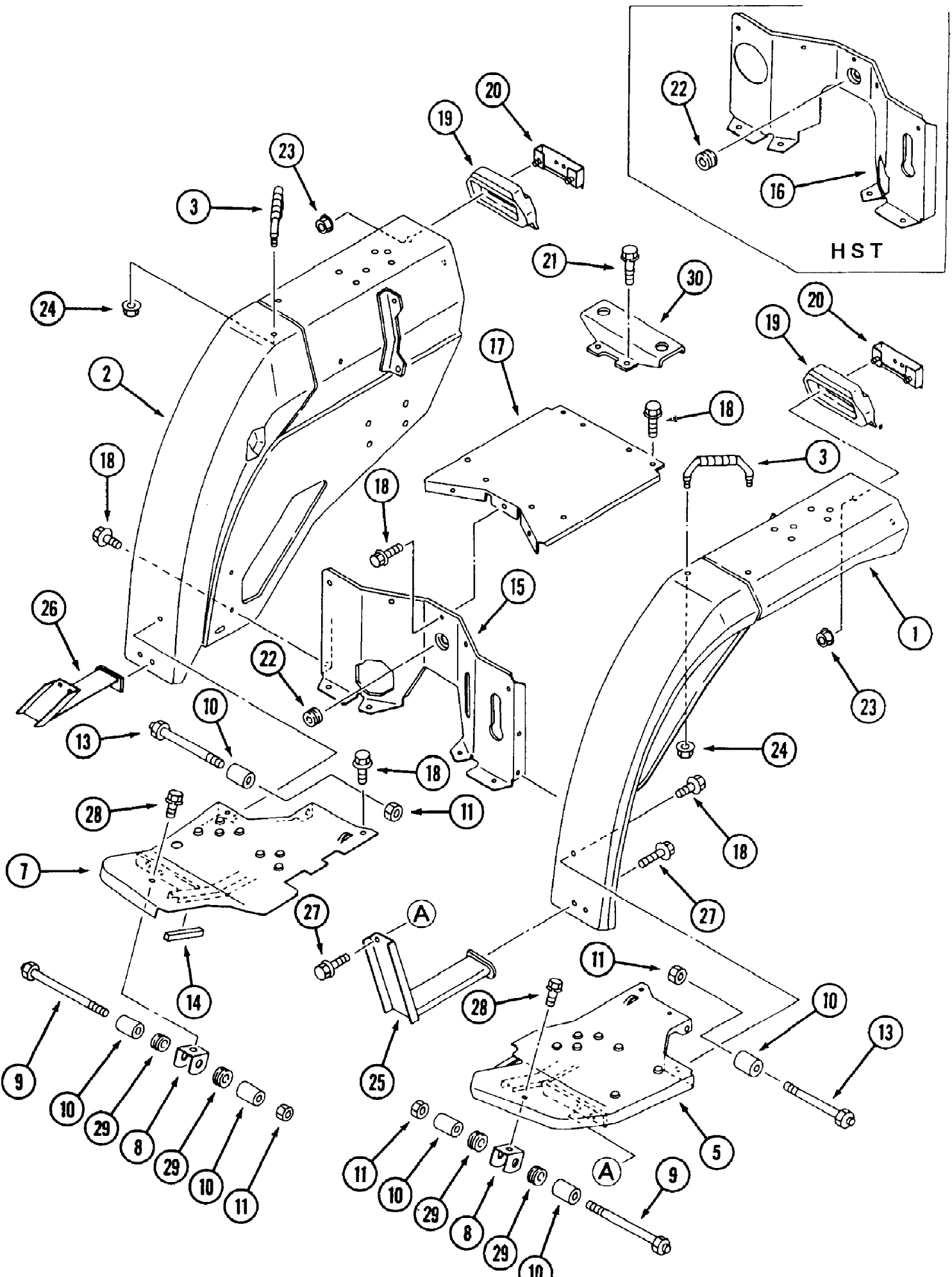
Ref #	Part Number	Qty	S/P/F	Description
1	MA-MM409410	1	S	Starter Ass'y.
2	MA-MM409427	1		Bolt, Starter
3	MA-MF241282	1		Bolt, w/Washer
4	MA-MF450406	1	S	Washer, Lock
5	MA-MD001517	AR		Shim
6	MA-MM409320	1		Spacer
7	MA-MM435752	1		Alternator
8	MA-MD001515	1		Bolt
9	MA-MD001521	1		Washer
10	MA-MM409463	1		Brace, Generator
11	MA-MF241251	1		Bolt, w/Washer
		1		Washer, Lock
12	MA-MF140026	1		Bolt, Flange
13	MA-MF430005	1		Nut
14	MA-MF450405	1		Washer, Lock
15	MA-MS450035	1		Washer, Flat
17	MA-MM431439	3	S	Plug, Glow
18	MA-MM432739	2		Wire, Glow Plug Lead
19	MA-MM409515	1		Lamp, Glow



7234 Tractor
Engine Controls (Gear Drive)

Page 48 of 200

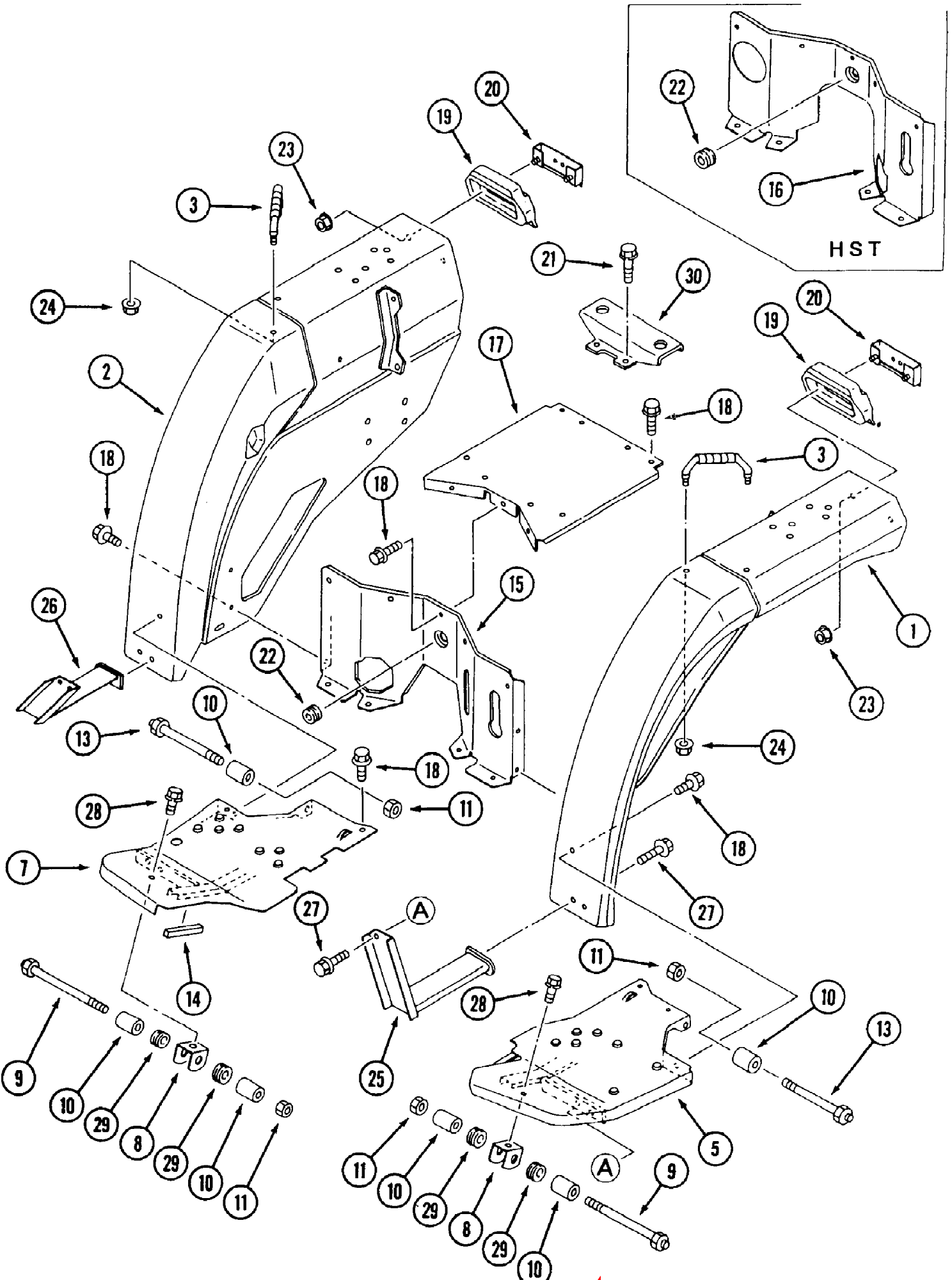
Ref #	Part Number	Qty	S/P/F	Description
1	MA-19680211AG0	1		Lever, Accelerator
2	MA-06910012258	1		Grip
3	MA-36105725100	4		Spring
4	MA-A3030112002	2		Nut
5	MA-10320216000	1		Wire, Accelerator - Includes Ref. Nos. 25 & 26
6	MA-31212559000	1	S	Liner
8	MA-05200125016	1	S	Pin, Split
10	MA-19630217000	1		Joint
12	MA-27942740401	1		Spring
13		1		Spring Not used on this model
14	MA-19630221000	1		Pedal, Accelerator
15	MA-27904116000	1		Pin
16	MA-19941832000	1		Wire, Accelerator
17	MA-03500130613	1		Washer
18	MA-05200125016	2	S	Pin, Split
20	MA-10320228000	1		Cover Pedal
21	MA-10320224001	1	/P	Plate - Replaces MA-10320244000
22	MA-F1440106016	2		Bolt
23	MA-27942761002	1		Spring
24		1		Spring Not used on this model
25	MA-F1600-05005	1		Screw
26	MA-67452-00816	1		Nut
27	MA-H2420106012	1		Screw
28	MA-F3000106000	1		Nut
29	MA-19680212000	1		Lining, Brake



7234 Tractor
Fender And Step (Gear Drive)

Page 50 of 200

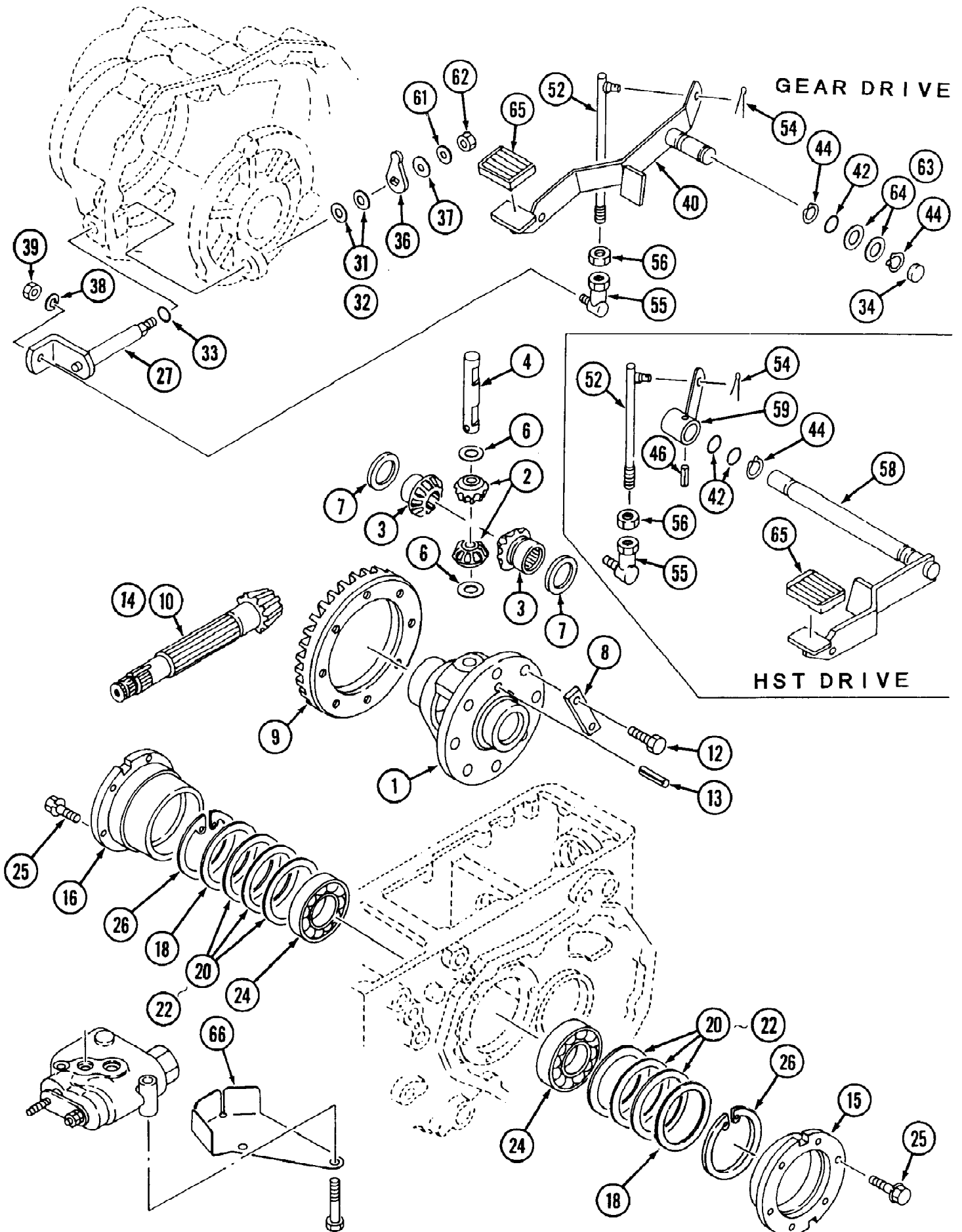
Ref #	Part Number	Qty	S/P/F	Description
1	MA-19643501BD0	1	/P	Fender, L.H.
2	MA-19643503BD0	1	/P	Fender, R.H.
3	MA-19633511000	2		Rail, Hand
5	MA-19643511BD0	1	/P	Step, L.H.
7	MA-19643513BD0	1		Step, R.H.
8	MA-19633525000	2		Bracket
9	MA-19643515000	2		Bolt
10	MA-19633531000	6		Rubber
11	MA-A3030116002	4		Nut
13	MA-19633528000	2		Bolt
14	MA-35259242800	2		Rubber Replaces MA-10311826000 Rubber. Use on both LH & RH step
15	MA-19643521BD0	1		Cover, Front
16		0		Cover, Front Not used on this product
17	MA-19643525BD0	1		Cover, Upper
18	MA-H1540108016	17		Bolt
19	MA-10302805000	2		Cover
20	MA-19643531AG0	2	/P	Bracket
21	MA-F1550112030	4	/P	Bolt
22	MA-00401002500	1		Grommet
23	MA-F3000106011	4		Nut
24	MA-F3010108001	4		Nut
25	MA-19643535BD0	1	/P	Step, Sub L.H.
26	MA-19643536BD0	1	/P	Step, Sub R.H.
27	MA-H1540108020	8		Bolt
28	MA-F1540108012	2		Bolt
29	MA-43750822000	4		Grommet
30	MA-19643543AG0	1		Bracket



7234 Tractor
Fender And Step (HST)

Page 52 of 200

Ref #	Part Number	Qty	S/P/F	Description
1	MA-19643501BD0	1	/P	Fender, L.H.
2	MA-19643503BD0	1	/P	Fender, R.H.
3	MA-19633511000	2		Rail, Hand
5	MA-19643511BD0	1	/P	Step, L.H.
7	MA-19643513BD0	1		Step, R.H.
8	MA-19633525000	2		Bracket
9	MA-19643515000	2		Bolt
10	MA-19633531000	6		Rubber
11	MA-A3030116002	4		Nut
13	MA-19633528000	2		Bolt
14	MA-35259242800	2		Rubber Replaces MA-10311826000 Rubber. Use on both LH & RH step
15		0		Cover, Front Not used on this product
16	MA-19643523BD0	1		Cover, Front
17	MA-19643525BD0	1		Cover, Upper
18	MA-H1540108016	17		Bolt
19	MA-10302805000	2		Cover
20	MA-19643531AG0	2	/P	Bracket
21	MA-F1550112030	4	/P	Bolt
22	MA-00401002500	1		Grommet
23	MA-F3000106011	4		Nut
24	MA-F3010108001	4		Nut
25	MA-19643535BD0	1	/P	Step, Sub L.H.
26	MA-19643536BD0	1	/P	Step, Sub R.H.
27	MA-H1540108020	8		Bolt
28	MA-F1540108012	2		Bolt
29	MA-43750822000	4		Grommet
30	MA-19643543AG0	1		Bracket



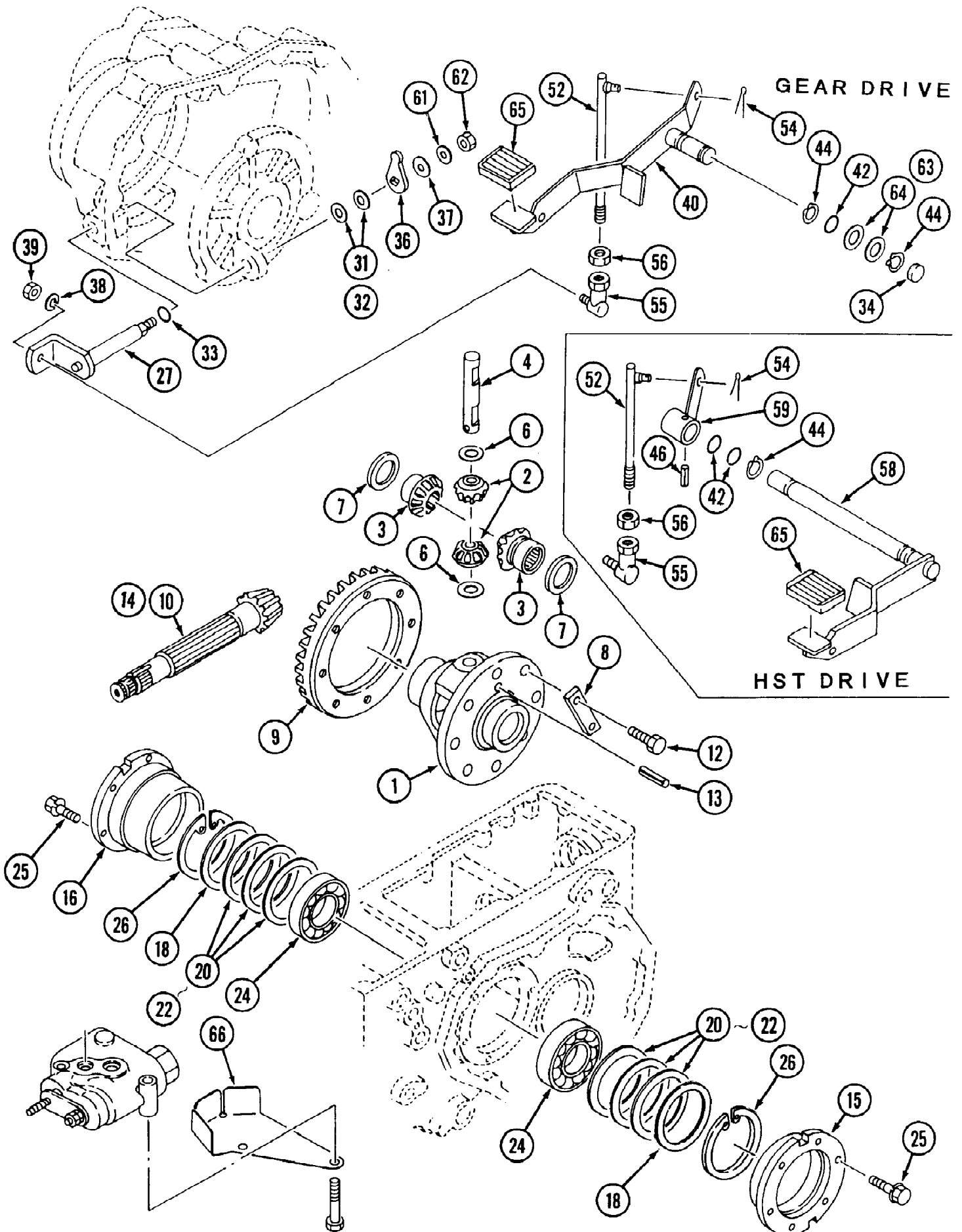
7234 Tractor
Final Drive (Gear Drive) - 2WD

Page 54 of 200

Ref #	Part Number	Qty	S/P/F	Description
	MA-19641415000	1		Diff. Case Ass'y. Includes Ref. No.: 1, 9, 12 & 14
		0		Gear Case Ass'y. Not used on this product. Includes Ref. No.: 1-13
1		0		Case Diff. Not used on this product
2	MA-10211412001	2		Pinion Diff.
3	MA-10211413001	2		Gear, Side
4	MA-10211414000	1		Shaft, Pinion
6	MA-10211415001	2		Washer, Thrust
7	MA-10211416001	2		Washer, Thrust
8	MA-10211417000	4		Washer, Lock
		0		7-35 Gear Set Not used on this product. Includes Ref. No.: 9, 10
9		1		Gear Ring
10		0		Shaft, Pinion Not used on this product
12	MA-A0400110020	8		Bolt
13	MA-05500006040	1		Pin, Spring
	MA-19641416000	1		7-35 Gear Set Includes Ref. No.: 9, 14
14		1		Shaft Pinion
15	MA-19641431000	1		Holder L.H.
16	MA-19641432000	1		Holder R.H.
18	MA-19641434000	2		Liner
	MA-19641445000	1		Liner Set Includes Ref. No.: 20-22
20	MA-19641435000	AR		Liner
?21	MA-19641436000	AR		Liner
22	MA-19641437000	AR		Liner
24	MA-10211438000	2		Bearing
25	MA-F1540108025	12		Bolt
26	MA-07410009501	2		Ring
27	MA-19641439AG0	1		Shifter
	MA-10191806000	1		Shim Set Includes Ref. No.: 31, 32
31	MA-07310001504	AR		Liner t=0.4
32	MA-07310001512	AR		Liner t=1.2
33	MA-08300100120	1	S	O-Ring
34	MA-08340020070	1		Seal Cap
36	MA-19641438000	1		Arm
37	MA-03500151026	1		Washer
38	MA-A3600100802	1		Washer
39	MA-A3010108002	1		Nut
40	MA-19641441AG0	1		Pedal Diff. Lock
42	MA-08300100160	1	/P	O-Ring
44	MA-07400002000	2		Ring
46		0		Pin, Spring Not used on this product
52	MA-19641442000	1		Rod
54	MA-05200130020	1		Pin, Split
55	MA-37041577000	1		Joint Ball
56	MA-A3030110002	1		Nut
58		0		Pedal Diff. Lock Not used on this product
59		0		Arm, Diff. Not used on this product
61	MA-A3600101002	1	/P	Washer
62	MA-A3030110002	1		Nut
	MA-19631417000	1		Liner Set Includes Ref. No.: 63, 64

7234 Tractor
Final Drive (Gear Drive) - 2WD

Ref #	Part Number	Qty	S/P/F	Description
63	MA-07310002004	AR		Liner t=0.4
64	MA-07310002004	AR		Liner t=1.0
65	MA-10320228000	1		Cover Pedal
66	MA-19641446000	1		Plate, Guide



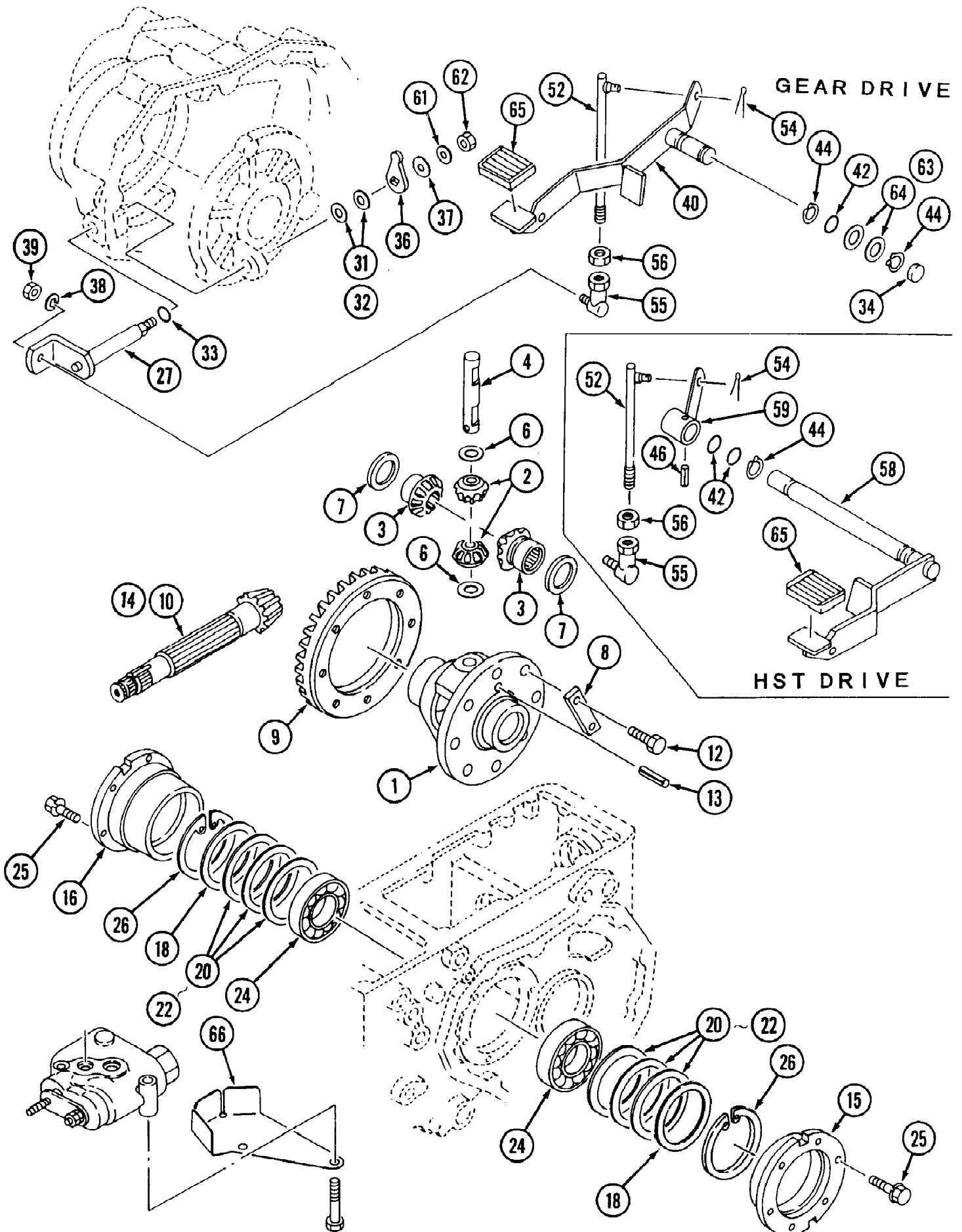
7234 Tractor
Final Drive (Gear Drive) - MFD

Page 57 of 200

Ref #	Part Number	Qty	S/P/F	Description
		0		Diff. Case Ass'y. Not used on this product. Includes Ref. No.: 1, 9, 12 & 14
	MA-19641401000	1		Gear Case Ass'y. Includes Ref. No.: 1-13
1	MA-19061411000	1		Case Diff.
2	MA-10211412001	2		Pinion Diff.
3	MA-10211413001	2		Gear, Side
4	MA-10211414000	1		Shaft, Pinion
6	MA-10211415001	2		Washer, Thrust
7	MA-10211416001	2		Washer, Thrust
8	MA-10211417000	4		Washer, Lock
	MA-19641412000	1		7-35 Gear Set Includes Ref. No.: 9, 10
9		1		Gear Ring
10		1		Shaft, Pinion
12	MA-A0400110020	8		Bolt
13	MA-05500006040	1		Pin, Spring
		0		7-35 Gear Set Not used on this product. Includes Ref. No.: 9, 14
14		0		Shaft Pinion Not used on this product
15	MA-19641431000	1		Holder L.H.
16	MA-19641432000	1		Holder R.H.
18	MA-19641434000	2		Liner
	MA-19641445000	1		Liner Set Includes Ref. No.: 20-22
20	MA-19641435000	AR		Liner
?21	MA-19641436000	AR		Liner
22	MA-19641437000	AR		Liner
24	MA-10211438000	2		Bearing
25	MA-F1540108025	12		Bolt
26	MA-07410009501	2		Ring
27	MA-19641439AG0	1		Shifter
	MA-10191806000	1		Shim Set Includes Ref. No.: 31, 32
31	MA-07310001504	AR		Liner t=0.4
32	MA-07310001512	AR		Liner t=1.2
33	MA-08300100120	1	S	O-Ring
34	MA-08340020070	1		Seal Cap
36	MA-19641438000	1		Arm
37	MA-03500151026	1		Washer
38	MA-A3600100802	1		Washer
39	MA-A3010108002	1		Nut
40	MA-19641441AG0	1		Pedal Diff. Lock
42	MA-08300100160	1	/P	O-Ring
44	MA-07400002000	2		Ring
46		0		Pin, Spring Not used on this product
52	MA-19641442000	1		Rod
54	MA-05200130020	1		Pin, Split
55	MA-37041577000	1		Joint Ball
56	MA-A3030110002	1		Nut
58		0		Pedal Diff. Lock Not used on this product
59		0		Arm, Diff. Not used on this product
61	MA-A3600101002	1	/P	Washer
62	MA-A3030110002	1		Nut
	MA-19631417000	1		Liner Set Includes Ref. No.: 63, 64
63	MA-07310002004	AR		Liner t=0.4

7234 Tractor
Final Drive (Gear Drive) - MFD

Ref #	Part Number	Qty	S/P/F	Description
64	MA-07310002004	AR		Liner t=1.0
65	MA-10320228000	1		Cover Pedal
66	MA-19641446000	1		Plate, Guide



7234 Tractor
Final Drive (HST) - MFD

Page 60 of 200

Ref #	Part Number	Qty	S/P/F	Description
		0		Diff. Case Ass'y. Not used on this product. Includes Ref. No.: 1, 9, 12 & 14
	MA-19641401000	1		Gear Case Ass'y. Includes Ref. No.: 1-13
1	MA-19061411000	1		Case Diff.
2	MA-10211412001	2		Pinion Diff.
3	MA-10211413001	2		Gear, Side
4	MA-10211414000	1		Shaft, Pinion
6	MA-10211415001	2		Washer, Thrust
7	MA-10211416001	2		Washer, Thrust
8	MA-10211417000	4		Washer, Lock
	MA-19641412000	1		7-35 Gear Set Includes Ref. No.: 9, 10
9		1		Gear Ring
10		1		Shaft, Pinion
12	MA-A0400110020	8		Bolt
13	MA-05500006040	1		Pin, Spring
		0		7-35 Gear Set Not used on this product. Includes Ref. No.: 9, 14
14		0		Shaft Pinion Not used on this product
15	MA-19641431000	1		Holder L.H.
16	MA-19641432000	1		Holder R.H.
18	MA-19641434000	2		Liner
	MA-19641445000	1		Liner Set Includes Ref. No.: 20-22
20	MA-19641435000	AR		Liner
?21	MA-19641436000	AR		Liner
22	MA-19641437000	AR		Liner
24	MA-10211438000	2		Bearing
25	MA-F1540108025	12		Bolt
26	MA-07410009501	2		Ring
27	MA-19641439AG0	1		Shifter
	MA-10191806000	1		Shim Set Includes Ref. No.: 31, 32
31	MA-07310001504	AR		Liner t=0.4
32	MA-07310001512	AR		Liner t=1.2
33	MA-08300100120	1	S	O-Ring
34		0		Seal Cap Not used on this product
36	MA-19641438000	1		Arm
37	MA-03500151026	1		Washer
38	MA-A3600100802	1		Washer
39	MA-A3010108002	1		Nut
40		0		Pedal Diff. Lock Not used on this product
42	MA-08300100160	2	/P	O-Ring
44	MA-07400002000	1		Ring
46	MA-05500008040	1		Pin, Spring
52	MA-19641442000	1		Rod
54	MA-05200130020	1		Pin, Split
55	MA-37041577000	1		Joint Ball
56	MA-A3030110002	1		Nut
58	MA-19641443AG0	1		Pedal Diff. Lock
59	MA-19641444AG0	1		Arm, Diff.
61	MA-A3600101002	1	/P	Washer
62	MA-A3030110002	1		Nut
		0		Liner Set Not used on this product. Includes Ref. No.: 63, 64

7234 Tractor
Final Drive (HST) - MFD

Page 61 of 200

Ref #	Part Number	Qty	S/P/F	Description
63		0		Liner t=0.4 Not used on this product
64		0		Liner t=1.0 Not used on this product
65	MA-10320228000	1		Cover Pedal
66	MA-19641446000	1		Plate, Guide

7234 Tractor

Page 63 of 200

Front Axle - 2WD 723 & 727 Series (Adjustable Front Axle)

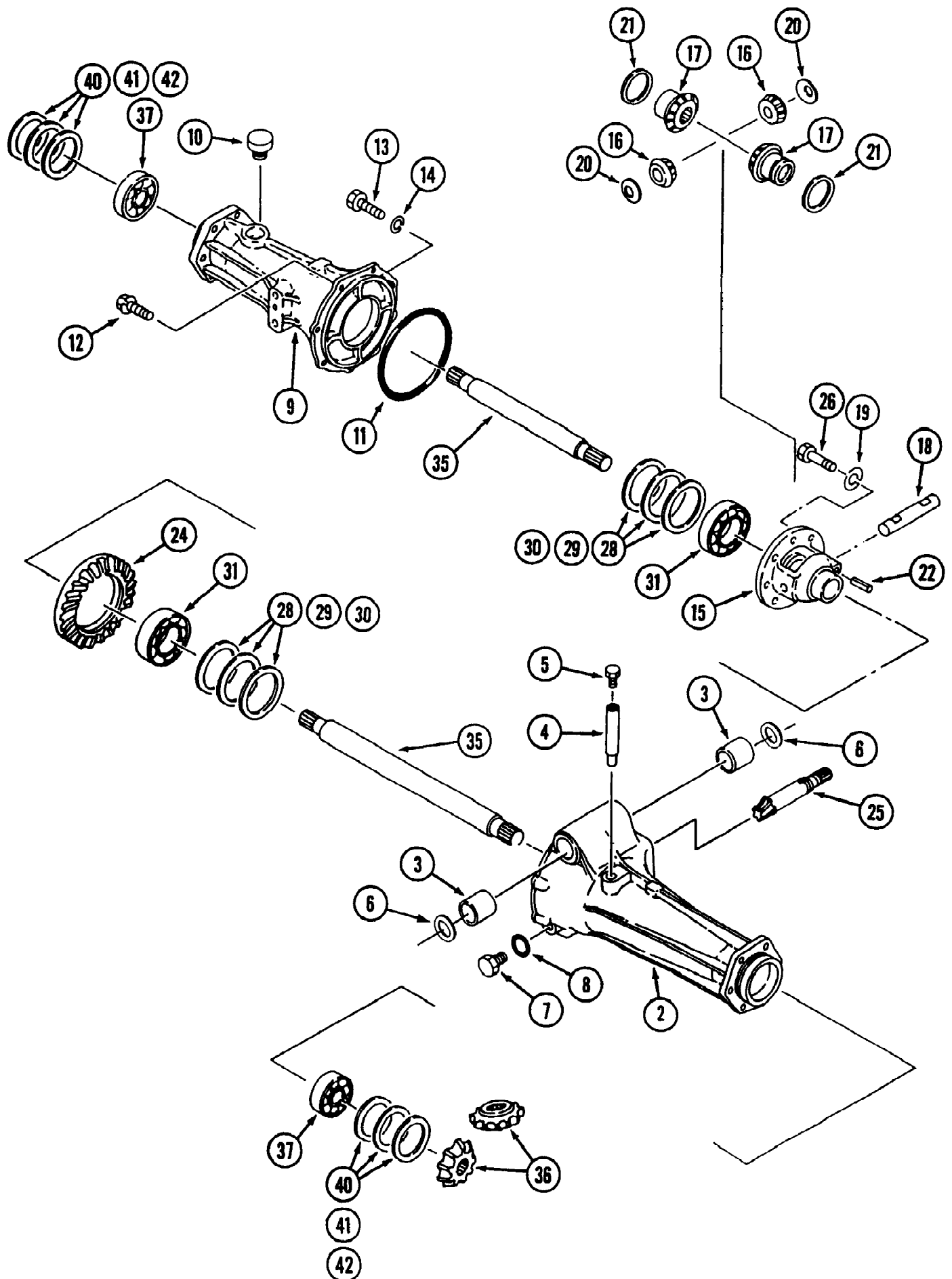
Ref #	Part Number	Qty	S/P/F	Description
1	MA-19642055AG0	1		Knuckle, L.H.
2	MA-19642057AG0	1	/P	Knuckle, R.H.
3	MA-19642059AG0	1		Arm, Knuckle
4	MA- 07600051106	2		Bearing
5	MA-07500062060	2		Bearing
7	MA-07500063040	2		Bearing
8	MA-08301100420	2		O-Ring
9	MA-A3130101601	2		Nut
10	MA-A3130102401	1		Nut
11	MA-A0550110060	1		Bolt
12	MA-03500051632	2	S	Washer
13	MA-A3030110002	1		Nut
14	MA-A3600101002	1	/P	Washer
15	MA-05200140032	2		Pin, Split
17	MA-10312019AG0	2		Hub, Front Wheel
19	MA-19642065AG0	1		Pin, Center - Before S/N 20631
19	MA-19642065AG1	1		Pin, Center - S/N 20631 & after
20	MA-A6503100300	1	/P	Nipple, Grease
22	MA-19642071AG0	1	/P	Center, Front
	MA-19642073AG0	1		Axle, Outer Ass'y. (Includes 24-25)
24	MA-19642075AG0	1		Outer, L.H.
25	MA-67341-01300	2		Bushing
26	MA-A6503100300	2	/P	Nipple, Grease
	MA-19642077AG0	1		Axle, Outer Ass'y. (Includes 27-28)
27	MA-19642079AG0	1		Outer, R.H.
28	MA-67341-01300	2		Bushing
29	MA-A0550114100	2		Bolt
30	MA-A3030114002	2		Nut
31	MA-A3600101402	2		Washer
34	MA-19642082AG0	1		Bracket
35	MA-F1025-16050	3	S	Bolt
36	MA-A3600101602	3		Washer
	MA-19642083AG0	1		Tie Rod Ass'y. (Includes 37-52)
37	MA-10302022AG0	1	/P	Tube, Tie Rod (LH thread)
39	MA-19642084AG0	1	S	Tube, Inner Tie Rod (RH thread)
42	MA-10302157AG0	1	/P	Rod End Ass'y., L.H. (RH thread) Includes Ref. Nos. 44-47 Replaces MA-67441-00900
43	MA-10302158AG0	1	/P	Rod End Ass'y., R.H. (LH thread) Includes Ref. Nos. 44-47 Replaces MA-67441-01000
44	MA-67441-00916	2	S	Cover, Dust (use with MA-67441-00900 & MA-67441-01000 Rod End Ass'ys)
44	MA-10302157200	2	/P	Cover, Dust (use with MA-10302157AG0 & MA-10302158AG0 Rod End Ass'ys)
45	MA-A6500600600	2		Nipple, Grease (use with MA-67441-00900 & MA-67441-01000 Rod End Ass'ys)
45	MA-10302157300	2		Nipple, Grease (use with MA-1030-2157AG0 & MA-10302158AG0 Rod End Ass'ys)
46	MA-67441-00918	2		Nut (use with MA-67441-00900 & MA-67441-01000 Rod End Ass'ys)

7234 Tractor

Page 64 of 200

Front Axle - 2WD 723 & 727 Series (Adjustable Front Axle)

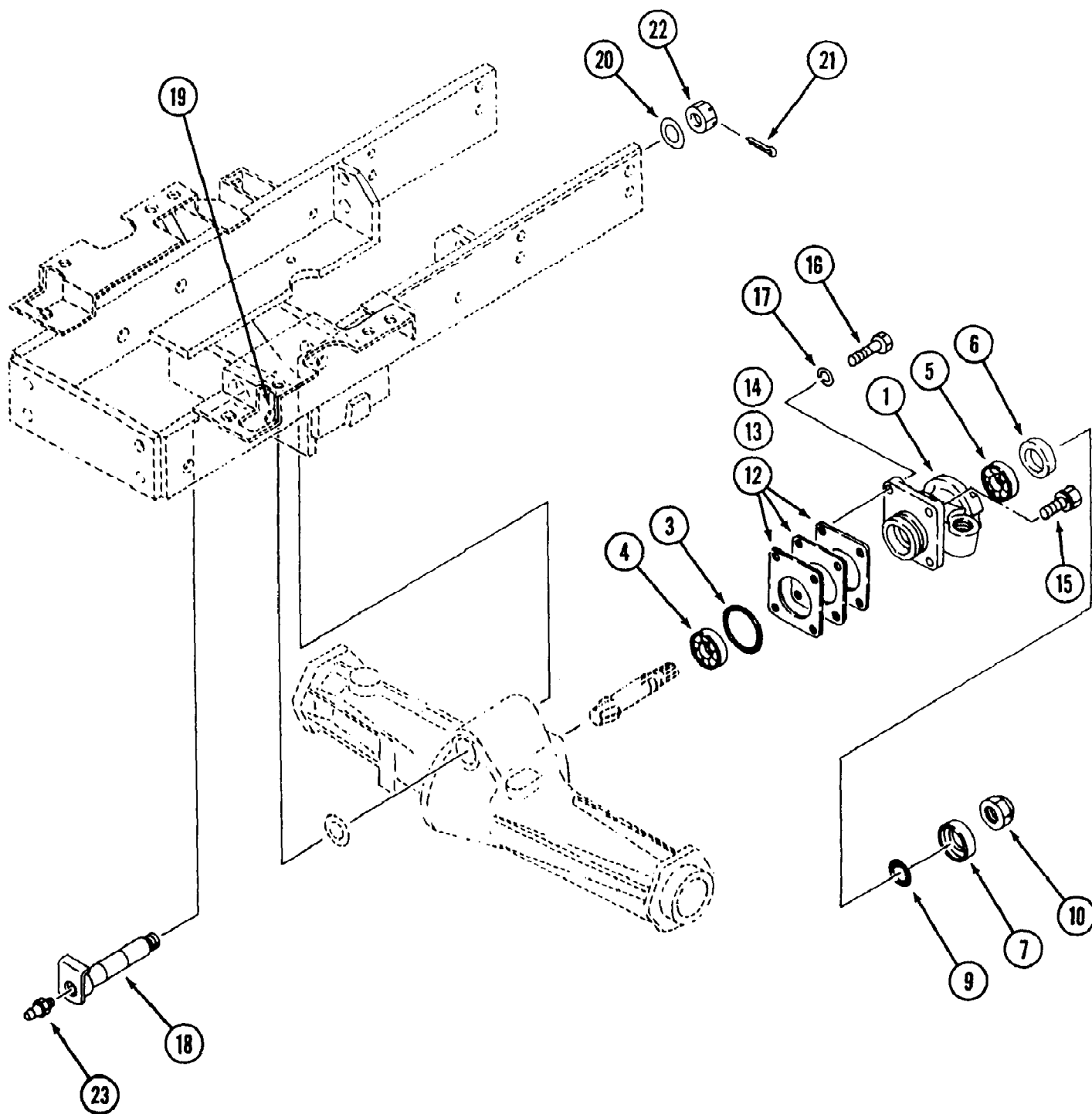
Ref #	Part Number	Qty	S/P/F	Description
46	MA-10302157400	2		Nut (use with MA-10302157AG0 & MA-10302158AG0 Rod End Ass'ys)
47	MA-05200130025	2		Pin, Split (use with MA-67441-00900 & MA-67441-01000 Rod End Ass'ys)
47	MA-10302157500	2		Pin, Split (use with MA-10302157-AG0 & MA-10302158-AG0 Rod End Ass'ys)
49	MA-67354-00301	1		Nut (LH thread)
50	MA-67354-00201	1		Nut (RH thread)
51	MA-F1025-08045	1	S	Bolt
52	MA-A0710108001	2	S	Nut
53	MA-19642085000	2		Washer
54	MA-69541-06400	2		Gasket
55	MA-19832048AG0	2		Cap
56	MA-F1440106012	6		Bolt
57	MA-08401406211	2		Oil, Seal
58	MA-08301100290	2		O-Ring
61	MA-03500172450	1		Washer
62	MA-05200150040	1		Pin, Split
63	MA-05500008050	1		Pin, Spring
64	MA-11742035AG1	1		Boss



7234 Tractor
Front Axle - MFD (Part 1)

Page 66 of 200

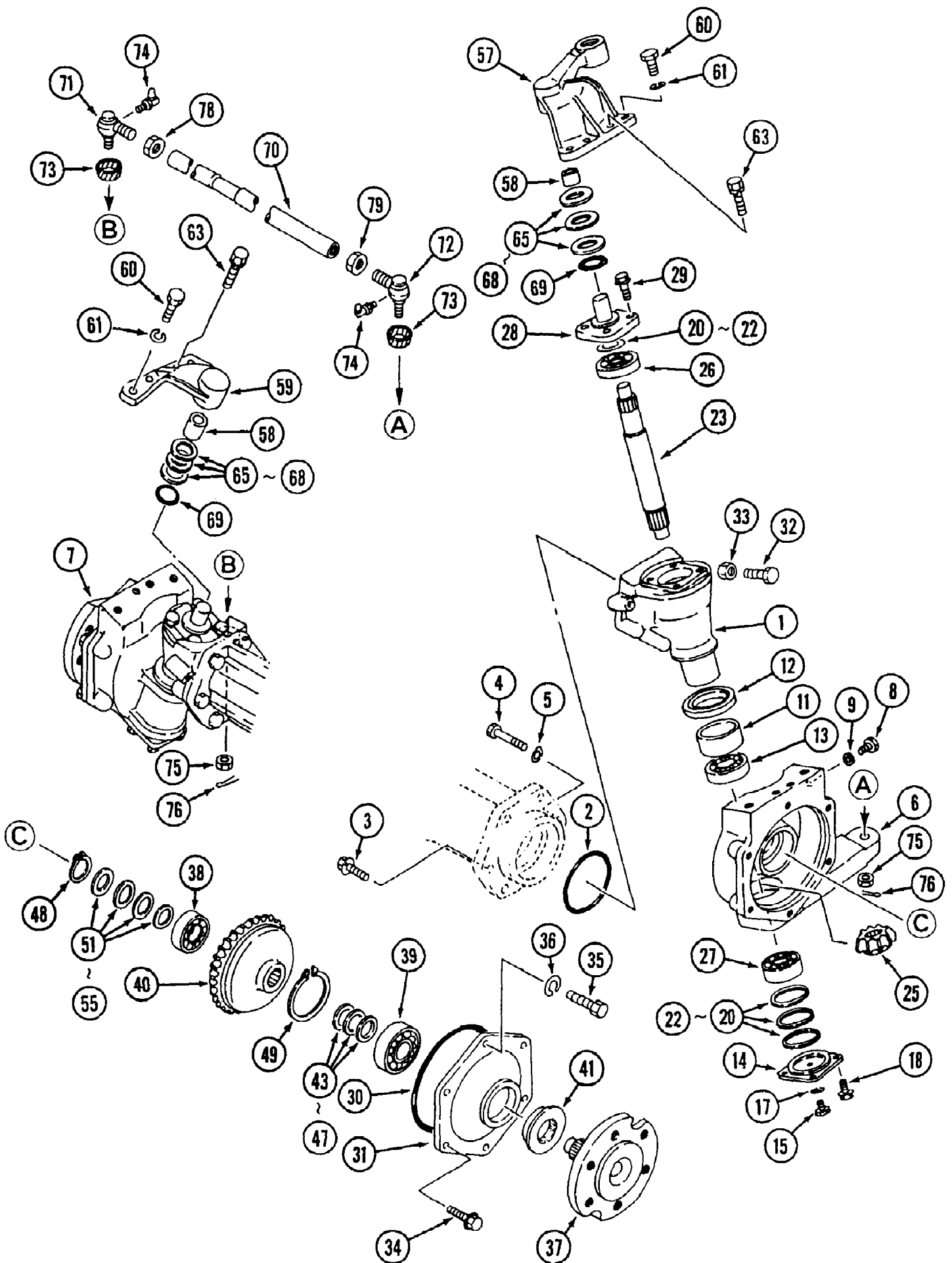
Ref #	Part Number	Qty	S/P/F	Description
	MA-19642101AG3	1		Front Axle, MFD Ass'y. Complete Replaces P/N MA-19642101AG1 & AG2
	MA-19642111AG2	1		Housing A Assembly Replaces P/N MA-19642111AG0 & AG1
2		1		Housing, Axle A
3	MA-07961030400	2		Bushing
4	MA-19642117AG0	1		Pipe
5	MA-11190621000	1	/P	Plug, Vent
6	MA-08300100290	2		O-Ring See Drawing Note
7	MA-F5000-16000	1		Plug, Drain
8	MA-08331001600	1		Washer, Seal
9	MA-10302119AG2	1	/P	Housing B, Center
10	MA-11911211000	1		Oil Cap (A)
11	MA-08300501500	1		O-Ring
12	MA-F1550110030	7		Bolt
13	MA-69542-64700	1		Bolt
14	MA-A3600101002	1	/P	Washer
	MA-19642113001	1		Diff. Case Ass'y. Includes items 15-26
15	MA-10312121000	1		Case, Diff.
16	MA-10191412000	2		Pinion Mate
17	MA-10191413000	2		Gear, Side
18	MA-10191414000	1		Shaft, Pinion
19	MA-A3600101002	8	/P	Washer
20	MA-10191415000	2		Washer, Thrust
21	MA-10191416000	2		Washer, Thrust
22	MA-05500006040	1		Pin, Spring
	MA-19642114000	1		Pinion, Shaft Sub Set Includes items 24-25
24		1		Gear, Ring
25		1		Shaft, Pinion
26	MA-10312132000	8		Bolt
	MA-10190623000	1		Shim Set Includes items 28-30
28	MA-10070618000	A/R		Liner t=0.1
29	MA-10070618100	A/R		Liner t=0.2
30	MA-10070618200	A/R		Liner t=0.4
31	MA-07500060100	2		Bearing
35	MA-10302128000	2		Shaft, Diff.
36	MA-19642118000	4		Gear, 15T
37	MA-07500063050	2		Bearing
	MA-10190626000	1		Shim Set, Pinion Includes items 40-42
40	MA-11353016000	A/R		Liner
41	MA-07310002502	A/R		Liner t=0.2
42	MA-07310002504	A/R		Liner t=0.4
	MA-19642101AG1	1		F/A MFD ASS not shown
	MA-19642101AG2	1		Axle Assy - Complete mf not shown
	MA-19642111AG0	1		Housing A Assy not shown
	MA-19642111AG1	1		Housing Assy - Axle A not shown
	MA-08300100290	1		O-Rings not shown



7234 Tractor
Front Axle - MFD (Part 2)

Page 68 of 200

Ref #	Part Number	Qty	S/P/F	Description
1	MA-19642116AG0	1		Case, Pinion
3	MA-08300500600	1		O-Ring
4	MA-10212141000	1		Bearing
5	MA-07700130205	1		Bearing
6	MA-08401035529	1		Seal, Oil
7	MA-10212171000	1		Bushing
9	MA-08300200250	1		O-Ring
10	MA-10302123000	1		Nut, M25
	MA-19642120000	1		Shim, Set Includes Items #12-14.
12	MA-10232136001	AR		Shim
13	MA-10232137001	AR		Shim
14	MA-10232138001	AR		Shim
15	MA-F1550110030	3		Bolt
16	MA-69542-64700	1		Bolt
17	MA-A3600101002	1	/P	Washer
18	MA-19642065AG0	1		Pin, Center S/N 20630-Below
	MA-19642065AG1	1	F	Pin, Center S/N 20631-Above
19	MA-10211283001	1		Washer S/N 20630-Below Only
20	MA-11352064000	1		Plate
21	MA-05200150040	1		Pin, Split
22	MA-A3130102401	1		Nut
23	MA-A6513100300	1	S	Nipple, Grease



7234 Tractor
Front Axle - MFD (Part 3)

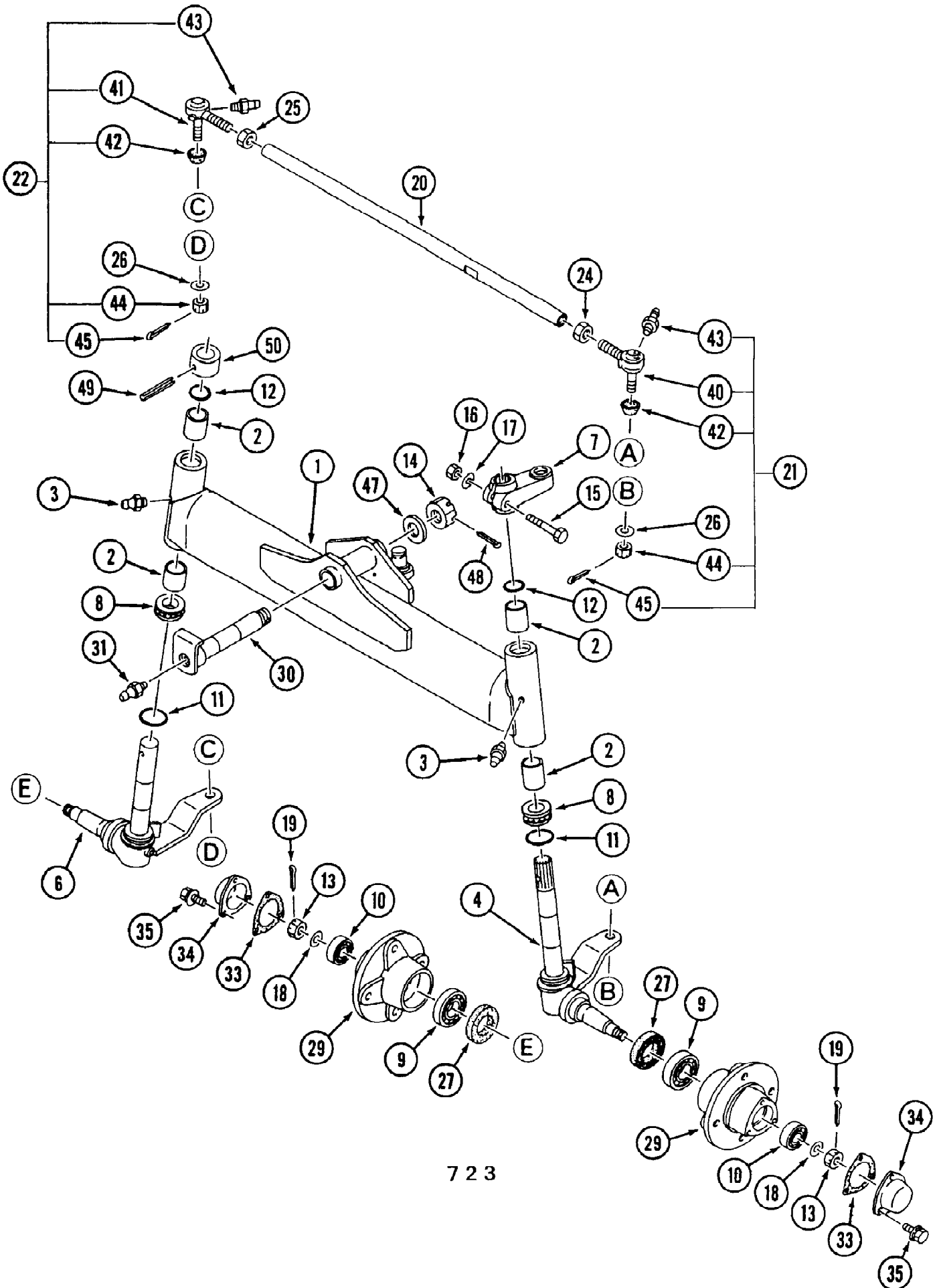
Page 70 of 200

Ref #	Part Number	Qty	S/P/F	Description
1	MA-10302136AG0	2		Case, Kingpin
2	MA-08300500750	2		O-Ring
3	MA-F1550110030	10		Bolt
4	MA-69542-64700	2		Bolt
5	MA-A3600101002	2	/P	Washer
6	MA-19642121AG0	1		Case, Final L.H.
7	MA-19642122AG0	1		Case, Final R.H.
8	MA-27403214200	2		Plug
9	MA-08331000800	2		Seal, Washer
11	MA-07961050300	2		Bushing
12	MA-69542-65100	2		Seal, Oil
13	MA-07600051106	2		Bearing
14	MA-10070638AG1	2		Cover
15	MA-27403214200	2		Plug
17	MA-08331000800	2		Seal, Washer
18	MA-F1540108020	8		Bolt
	MA-19632139000	1		Shim Set 20-22
20	MA-07300005201	1		Liner, t=0.15 AR
21	MA-07300005202	1		Liner, t=0.2 AR
22	MA-07300005203	1		Liner, t=0.3 AR
23	MA-19642124000	2		Shaft
25	MA-10212124000	2		Gear, 12T
26	MA-07500563044	2		Bearing
27	MA-07500263040	2		Bearing
28	MA-10212120AG0	2		Holder
29	MA-F1550110025	8		Bolt
30	MA-08300501450	2		O-Ring
31	MA-10212119AG0	2		Cover
32	MA-A0520110040	2		Bolt
33	MA-A3030110002	2		Nut
34	MA-F1550110025	10		Bolt
35	MA-69542-64700	2		Bolt
36	MA-A3600101002	2	/P	Washer
37	MA-19832112AG0	2		Shaft
38	MA-07500063050	2		Bearing
39	MA-07500063060	2		Bearing
40	MA-10212123000	2		Gear, 32T
41	MA-08412355212	2		Seal, Oil
	MA-10212159000	1		Shim Set
43	MA-07310003001	1		Liner, t=0.15 AR
44	MA-07310003004	1		Liner, t=0.4 AR
45	MA-07310003008	1		Liner, t=0.8 AR
46	MA-07310003010	1		Liner, t=1.0 AR
47	MA-07310003012	1		Liner, t=1.2 AR
48	MA-07400002500	2	/P	Ring
49	MA-07410007201	2		Ring
	MA-10212158000	1		Shim Set (Includes 51-55)
51	MA-11353016000	1		Liner AR
52	MA-07310002504	1		Liner, t=0.4 AR
53	MA-07310002508	1		Liner, t=0.8 AR
54	MA-07310002510	1	S	Liner, t=1.0 AR
55	MA-07310002512	1		Liner, t=1.2 AR
57	MA-19642126AG0	1		Knuckle, Arm L.H.

7234 Tractor
Front Axle - MFD (Part 3)

Page 71 of 200

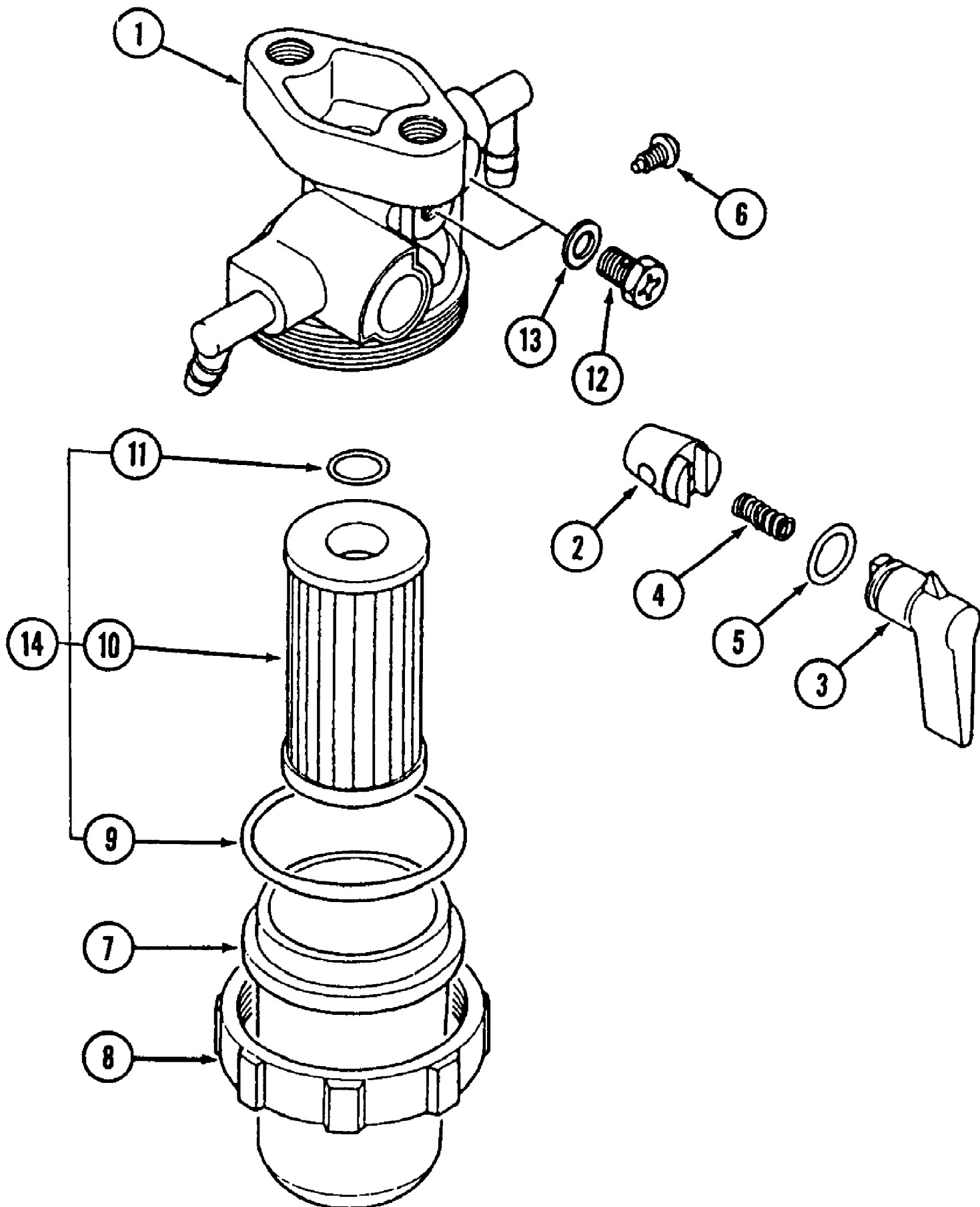
Ref #	Part Number	Qty	S/P/F	Description
58	MA-07961025250	2		Bushing
59	MA-19642127AG0	1	/P	Knuckle, Arm R.H.
60	MA-69542-63301	4		Bolt
61	MA-A3600101202	4		Washer
63	MA-F1550112025	4		Bolt
	MA-10212157000	1		Shim Set (Includes items 65-68)
65	MA-14381319300	1		Liner, Thrust AR
66	MA-14381319400	1		Liner, Thrust AR
67	MA-14381319500	1		Liner, Thrust AR
68	MA-14381319600	1		Liner, Thrust AR
69	MA-08300100240	2		O-Ring
	MA-19642131AG0	1		Tie Rod Ass'y. (Includes items 70-79)
70	MA-19642132AG0	1	/P	Rod
71	MA-10302158AG0	1	/P	Rod End Ass'y., R.H. (LH thread) Includes Ref. Nos. 73-76 Replaces MA-67441-01000
72	MA-10302157AG0	1	/P	Rod End Ass'y., L.H. (RH thread) Includes Ref. Nos. 73-76 Replaces MA-67441-00900
73	MA-67441-00916	2	S	Cover, Dust (use with MA-67441-00900 & MA-67441-01000 Rod End Ass'ys)
73	MA-10302157200	2	/P	Cover, Dust (use with MA-10302157AG0 & MA-10302158AG0 Rod End Ass'ys)
74	MA-A6500600600	2		Nipple, Grease (use with MA- 67441-00900 & MA-67441-01000 Rod End Ass'ys)
74	MA-10302157300	2		Nipple, Grease (use with MA-10302157AG0 & MA-10302158AG0 Rod End Ass'ys)
75	MA-67441-00918	2		Nut (use with MA-67441-00900 & MA-67441-01000 Rod End Ass'ys) M12 x 1.5
75	MA-10302157400	2		Nut (use with MA-10302157AG0 & MA-10302158AG0 Rod End Ass'ys)
76	MA-05200130025	2		Pin, Split (use with MA-67441- 00900 & MA-67441-01000 Rod End Ass'ys)
76	MA-10302157500	2		Pin, Split (use with MA-10302157AG0 & MA-10302158AG0 Rod End Ass'ys)
78	MA-67354-00301	1		Nut (LH thread)
79	MA-67354-00201	1		Nut (RH thread)



7234 Tractor
Front Axle 723 Series - 2WD (Solid Front Axle)

Page 73 of 200

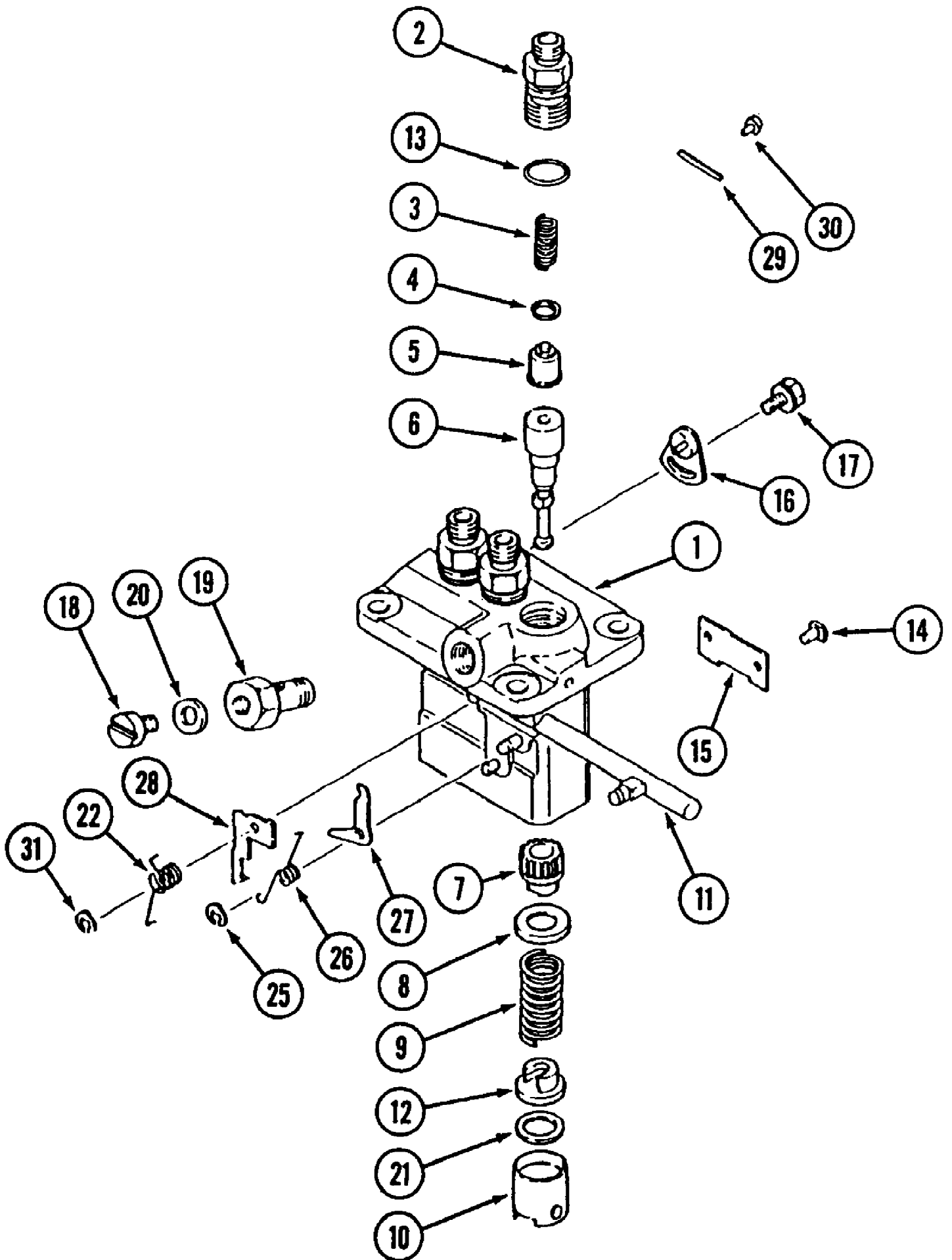
Ref #	Part Number	Qty	S/P/F	Description
	MA-19642051AG0	1		Center, Ass'y. Includes Items #1-3
1	MA-19642053AG0	1		Center, Axle
2	MA-67341-01300	4		Bushing
3	MA-A6503100300	2	/P	Nipple, Grease
4	MA-19642055AG0	1		Knuckle L.H.
6	MA-19642057AG0	1	/P	Knuckle R.H.
7	MA-19642059AG0	1		Arm Knuckle
8	MA-07600051106	2		Bearing
9	MA-07500062060	2		Bearing
10	MA-07500063040	2		Bearing
11	MA-08301100420	2		O-Ring
12	MA-08301100290	2		O-Ring
13	MA-A3130101601	2		Nut
14	MA-A3130102401	1		Nut
15	MA-A0550110060	1		Bolt
16	MA-A3030110002	1		Nut
17	MA-A3600101002	1	/P	Washer
18	MA-03500051632	2	S	Washer
19	MA-05200140032	2		Pin, Split
	MA-19642061AG0	1		Tie Rod Ass'y. Includes Items #20-25.
20	MA-19642062AG0	1		Tube, Tie Rod
21	MA-10302157AG0	1	/P	End Ass'y. - Tie Rod L.H. Side (R.H. Thread) Includes Ref. Nos. 42 thru 45
22	MA-10302158AG0	1	/P	End Ass'y. - Tie Rod R.H. Side (L.H. Thread) Includes Ref. Nos. 42 thru 45
24	MA-67354-00201	1		Nut (R.H. Thread) M17
25	MA-67354-00301	1		Nut (L.H. Thread) M17
26	MA-13353166000	2		Washer
27	MA-08401406211	2		Oil, Seal
29	MA-10312019AG0	2		Hub, Front Wheel
30	MA-19642065AG0	1		Pin, Center
31	MA-A6503100300	1	/P	Nipple, Grease
33	MA-69541-06400	2		Gasket
34	MA-19832048AG0	2		Cap
35	MA-F1440106012	6		Bolt
40		1		Order Ref. 21
41		1		Order Ref. 22
42	MA-67441-00916	2	S	Cover, Dust Included with Rod End Assemblies, Ref. 21 and 22
43	MA-A6500600600	2		Nipple, Grease Included with Rod End Assemblies, Ref. 21 and 22
44	MA-67441-00918	2		Nut Included with Rod End Assemblies, Ref. 21 and 22
45	MA-05200130025	2		Pin, Split Included with Rod End Assemblies, Ref. 21 and 22
47	MA-03500172450	1		Washer
48	MA-05200150040	1		Pin, Split
49	MA-05500008050	1		Pin, Spring
50	MA-11742035AG1	1		Boss



7234 Tractor
Fuel Filter

Page 75 of 200

Ref #	Part Number	Qty	S/P/F	Description
	MA-30A62-00100	1	/P	Fuel Filter Ass'y.
1	MA-MM404872	1		Body Sub Ass'y.
2		1		Valve Part of Ref. 1, Body Sub Ass'y
3	MA-MM404871	1		Lever
4	MA-MM404873	1		Spring Valve
5	MA-MM404874	1	S	O-Ring, Valve
6	MA-MM404875	1		Screw
7	MA-MM404876	1	S	Cup, Filter
8	MA-MM404877	1		Nut, Ring
9	MA-MM404878	1		O-Ring, Filter Cup
10	MA-MM404879	1	S	Element
11	MA-MM404881	1	S	O-Ring, Element
12	MA-MM404880	2		Screw, Air Vent
13	MA-MM404884	2		Packing
14	MA-MM409892	1	/P	Service Kit, Fuel Filter



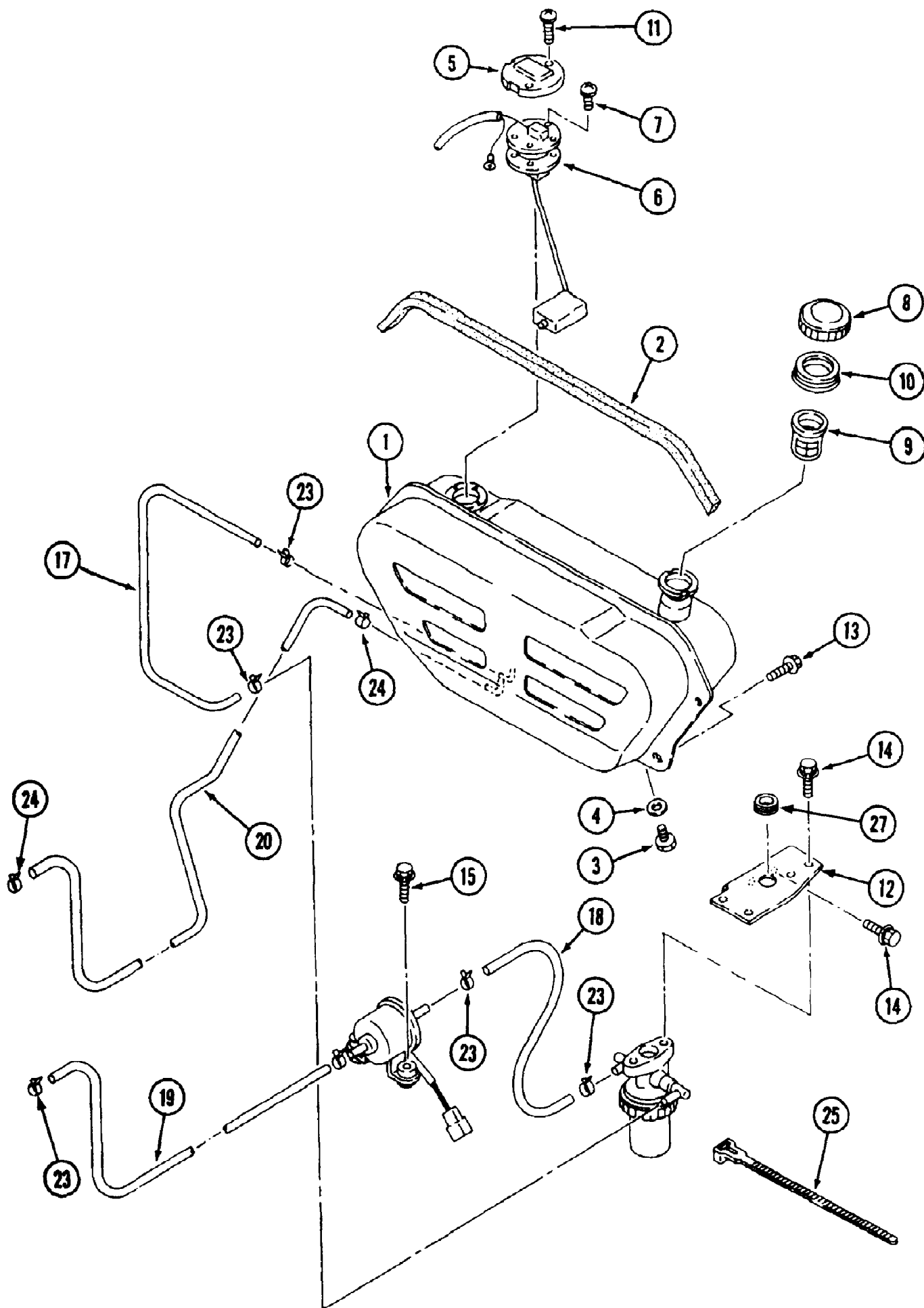
7234 Tractor
Fuel Injector Pump

Page 77 of 200

Ref #	Part Number	Qty	S/P/F	Description
	MA-30A65-03400	1		Pump Ass'y., Fuel Injection
1	MA-MM501898	1	S	Housing Sub Ass'y., Pump
2	MA-MM501754	3	S	Holder, Delivery Valve
3	MA-MM501161	3		Spring, Delivery Valve
4	MA-MM501856	3	S	Gasket, Delivery Valve
5	MA-MM514165	3	S	Delivery Valve Sub Ass'y.
6	MA-MM514167	3	S	Element Sub Ass'y., Pump
7	MA-MM500229	3	S	Sleeve, Plunger Control
8	MA-MM501098	3		Seat, Spring Upper
9	MA-MM500360	3	S	Spring, Pump Plunger
10	MA-MM500230	3	S	Tappet Sub Ass'y.
11	MA-MM501311	1	S	Rack Ass'y., Control
12	MA-MM500316	3	S	Seat, Spring Lower
13	MA-MM500438	3	S	O-Ring
14	MA-MM500231	3	S	Pin, Tappet Guide
15	MA-MM501162	1	S	Plate
16	MA-MM514109	2	S	Plate Ass'y., Adjusting
17	MA-MM514195	2		Bolt, w/Washer
18	MA-MM501152	1		Screw, Air Breather
19	MA-MM501320	1	S	Screw, Hollow
20	MA-MM500114	1		Washer
21	MA-MM500299	AR	S	Shim, Plate t=0.6
	MA-MM500309	AR	S	Shim, Plate t=0.2
	MA-MM500310	AR	S	Shim, Plate t=0.3
	MA-MM500311	AR	S	Shim, Plate t=0.4
	MA-MM500312	AR	S	Shim, Plate t=0.5
	MA-MM500314	AR	S	Shim, Plate t=0.25
	MA-MM500315	AR		Shim, Plate t=0.35
	MA-MM501246	AR	S	Shim, Plate t=0.45
	MA-MM501364	AR	S	Shim, Plate t=0.55
	MA-MM501365	AR	S	Shim, Plate t=0.65
22	MA-MM501247	1		Spring, Smoke Set
25	MA-MM500507	1		E-Ring
26	MA-MM514131	1		Spring Angleich Set
27	MA-MM501497	AR		Plate, Angleich Set I1=17.0
	MA-MM501498	AR		Plate, Angleich Set I1=16.9
	MA-MM501499	AR		Plate, Angleich Set I1=16.8
	MA-MM501500	AR		Plate, Angleich Set I1=16.7
	MA-MM501501	AR		Plate, Angleich Set I1=16.6
	MA-MM501747	AR		Plate, Angleich Set I1=16.85
	MA-MM501748	AR		Plate, Angleich Set I1=16.75
28	MA-MM501572	AR		Plate, Smoke Set I2=3.5
	MA-MM501573	AR		Plate, Smoke Set I2=3.7
	MA-MM501272	AR		Plate, Smoke Set I2=3.4
	MA-MM501273	AR		Plate, Smoke Set I2=3.6
	MA-MM501274	AR		Plate, Smoke Set I2=3.8
	MA-MM501268	AR		Plate, Smoke Set I2=2.6
	MA-MM501269	AR		Plate, Smoke Set I2=2.8
	MA-MM501270	AR		Plate, Smoke Set I2=3.0
	MA-MM501271	AR		Plate, Smoke Set I2=3.2
	MA-MM501567	AR		Plate, Smoke Set I2=2.5
	MA-MM501574	AR		Plate, Smoke Set I2=3.9
	MA-MM501568	AR		Plate, Smoke Set I2=2.7

7234 Tractor
Fuel Injector Pump

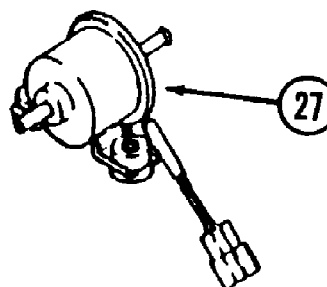
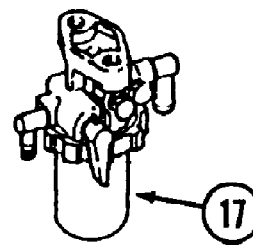
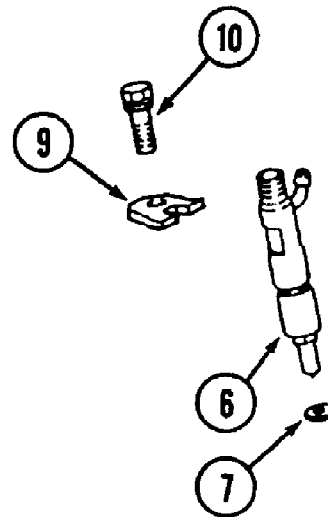
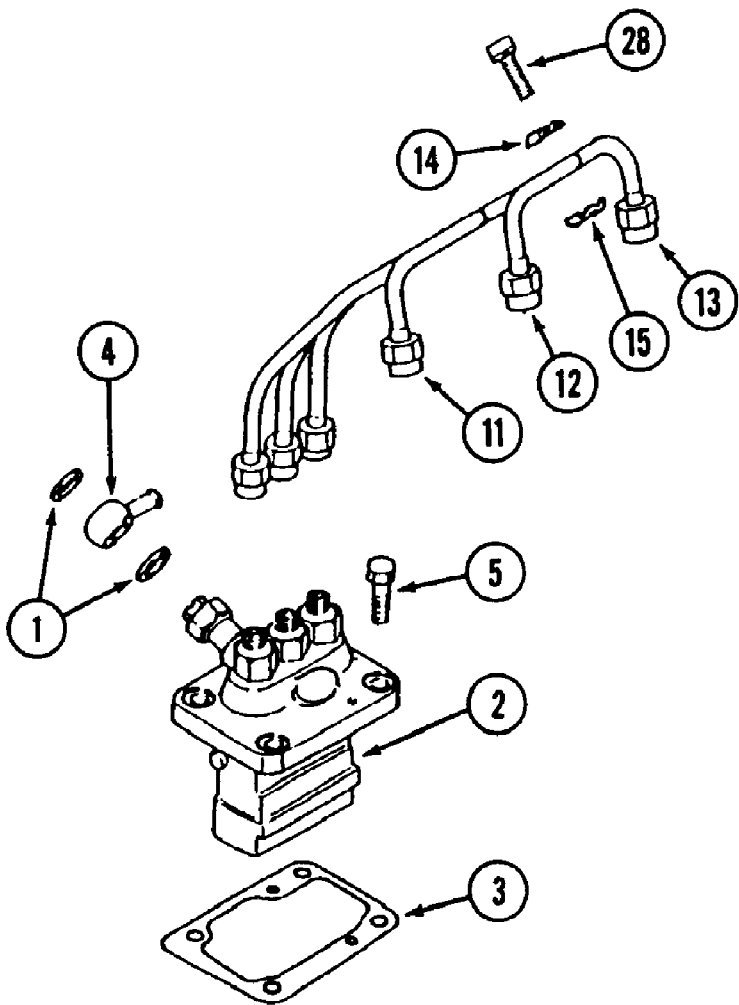
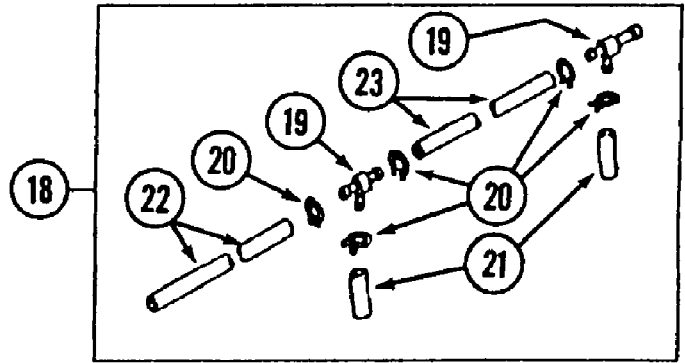
Ref #	Part Number	Qty	S/P/F	Description
	MA-MM501569	AR		Plate, Smoke Set I2=2.9
	MA-MM501570	AR		Plate, Smoke Set I2=3.1
	MA-MM501571	AR		Plate, Smoke Set I2=3.3
29	MA-MM514446	1		Plate, Name
30	MA-MM500429	2		Rivet
31	MA-MM501496	1		E-Ring



7234 Tractor
Fuel Line (Part 2)

Page 80 of 200

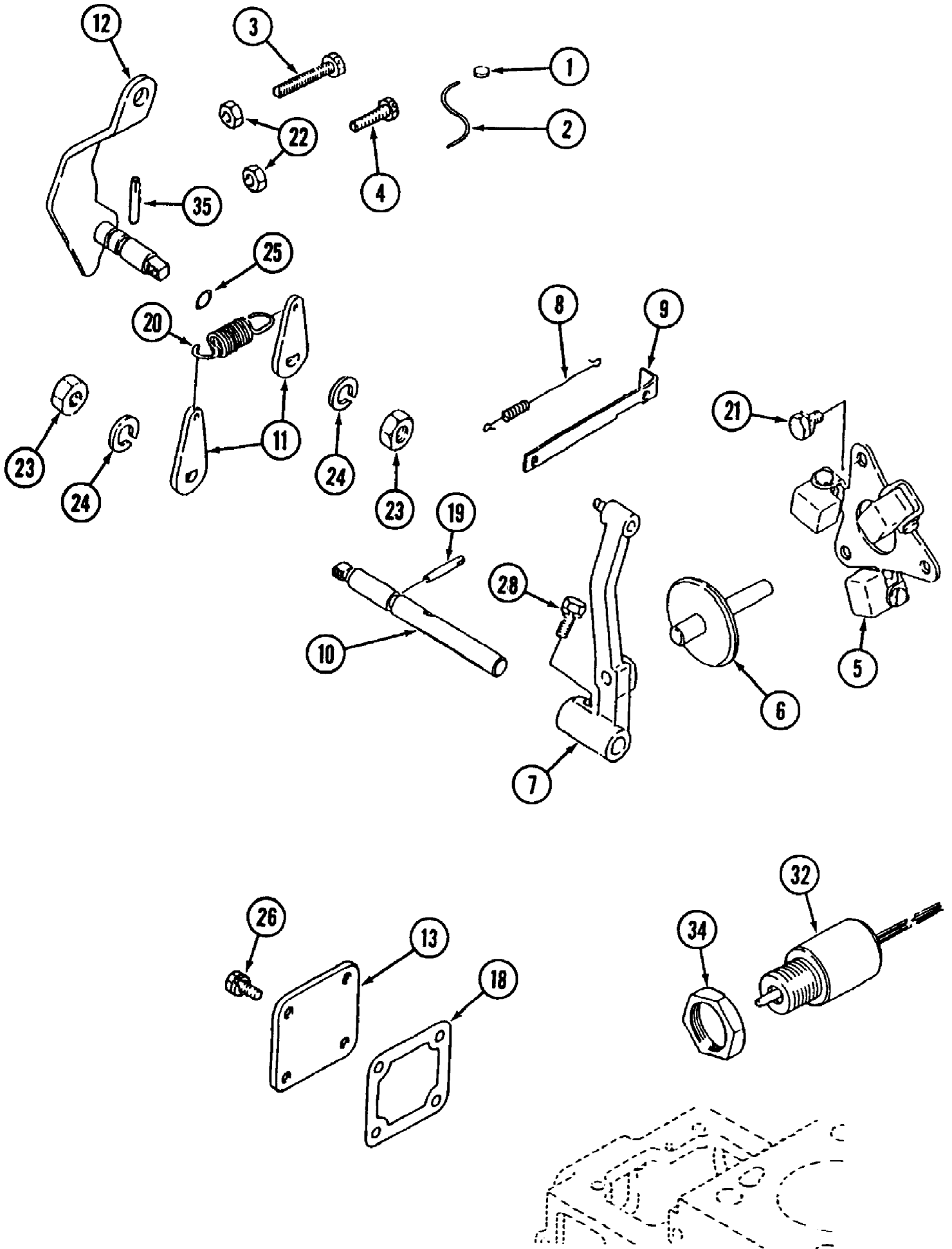
Ref #	Part Number	Qty	S/P/F	Description
	MA-19640101BD0	1		Tank, Ass'y.
1	MA-19640103BD0	1	/P	Tank,Fuel
2	MA-19640105000	1		Trim
3	MA-27403214200	1		Plug
4	MA-08331000800	1		Washer, Seal
5	MA-19630107BD0	1		Cover, Fuel Unit
6	MA-10210113000	1		Fuel, Unit
7	MA-H2420104012	3		Screw
8	MA-09805000004	1		Cap
9	MA-09806000002	1		Filter
10	MA-09806100001	1		Packing
11	MA-H2420104016	2		Screw
12	MA-19630112BD0	1		Bracket, Filter
13	MA-H1540108025	4		Bolt
14	MA-H1550110020	3		Bolt
15	MA-H1640106025	2		Bolt
17	MA-09810060400	1		Hose
18	MA-09810060300	1		Hose
19	MA-09810061850	1		Hose
20	MA-09810042150	1		Hose
23	MA-00504112005	6		Clamp, Hose
24	MA-00504110005	2		Clamp, Hose
25	MA-00511032070	5		Wire, Band
27	MA-00401003000	1		Grommet



7234 Tractor
Fuel Supply Parts

Page 82 of 200

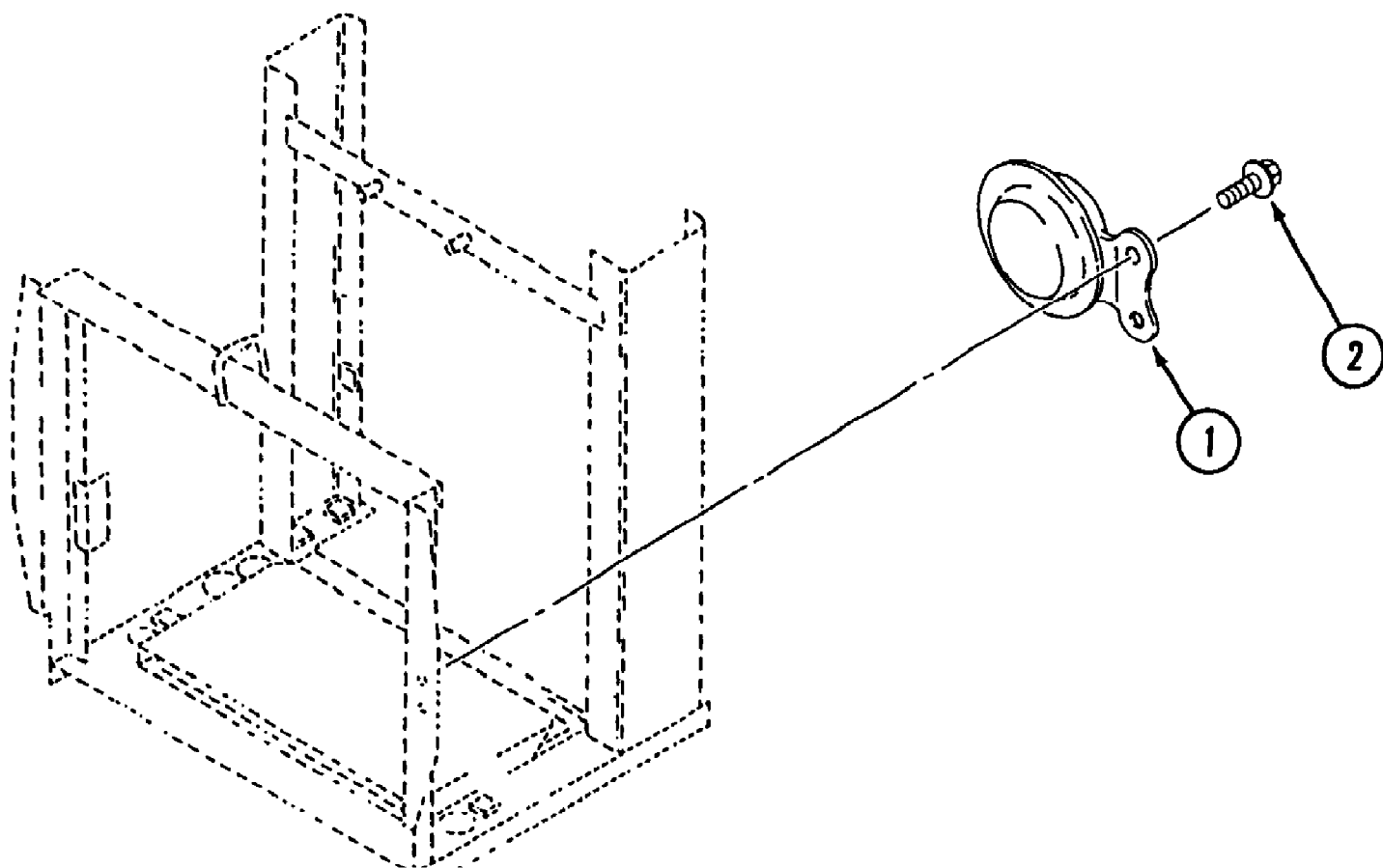
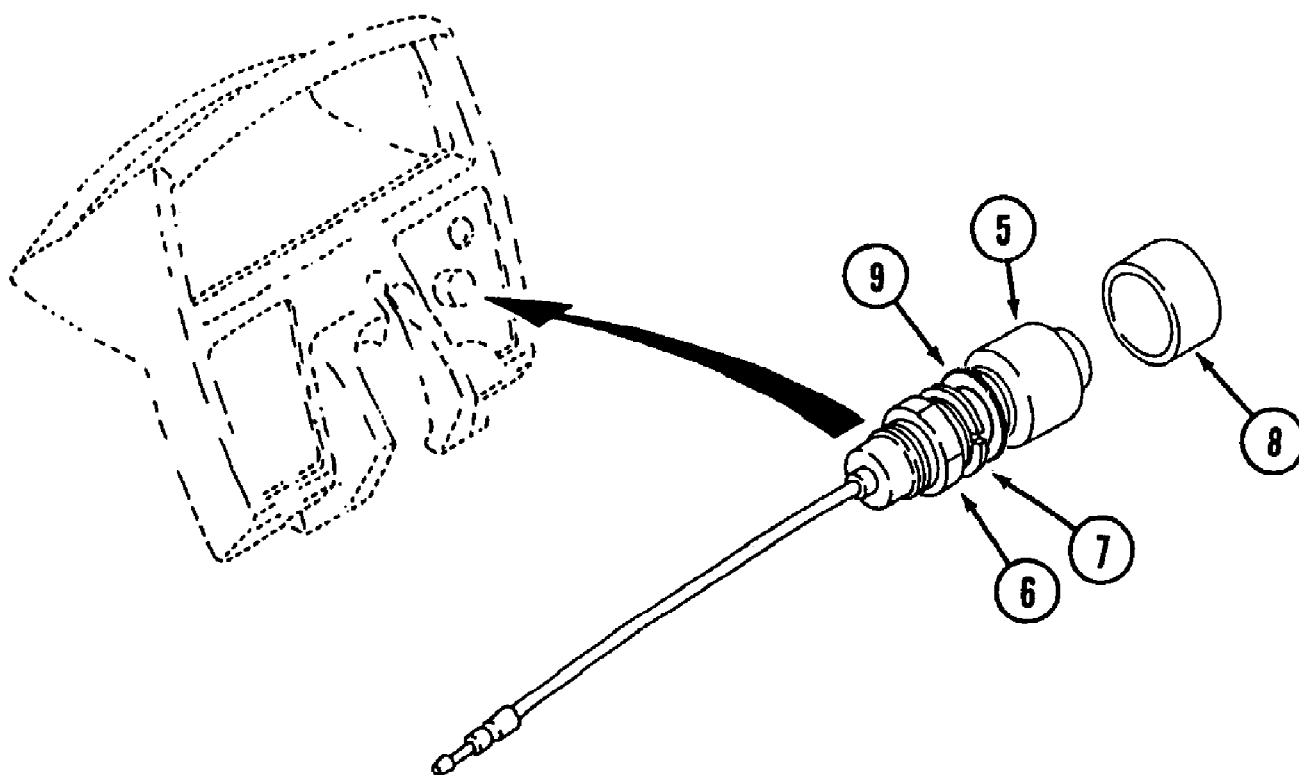
Ref #	Part Number	Qty	S/P/F	Description
1	MA-MK66112000	2		Washer, Seal
2	MA-30A65-03400	1		Pump Ass'y.
3	MA-MM409891	1		Shim Set
4	MA-MM304916	1		Collar, Union
5	MA-MF100055	4	S	Bolt
6	MA-MM438767	3		Nozzle Ass'y.
7	MA-MM432045	3		Gasket, Nozzle
9	MA-MM437137	3	S	Support, Nozzle
10	MA-MF244855	3	S	Bolt, w/Washer
11	MA-MM431423	1		Pipe Ass'y. No. 1
12	MA-MM431424	1		Pipe Ass'y. No. 2
13	MA-MM431425	1		Pipe Ass'y. No. 3
14	MA-MM430703	2		Clamp A
15	MA-MM430614	2		Clamp B
17	MA-30A62-00100	1	/P	Filter Ass'y.
18	MA-30A61-04300	1		Pipe Ass'y.
19	MA-MM100088	2		Joint
20	MA-MM100089	5		Clamp, Hose
21	MA-MM413132	2		Pipe, Rubber
22	MA-MM413104	1		Pipe, Rubber
23	MA-MM413107	1		Pipe, Rubber
27	MA-MM436739	1	S	Fuel Pump Ass'y.
28	MA-MF243628	2		Bolt, w/Washer



7234 Tractor
Governor Parts

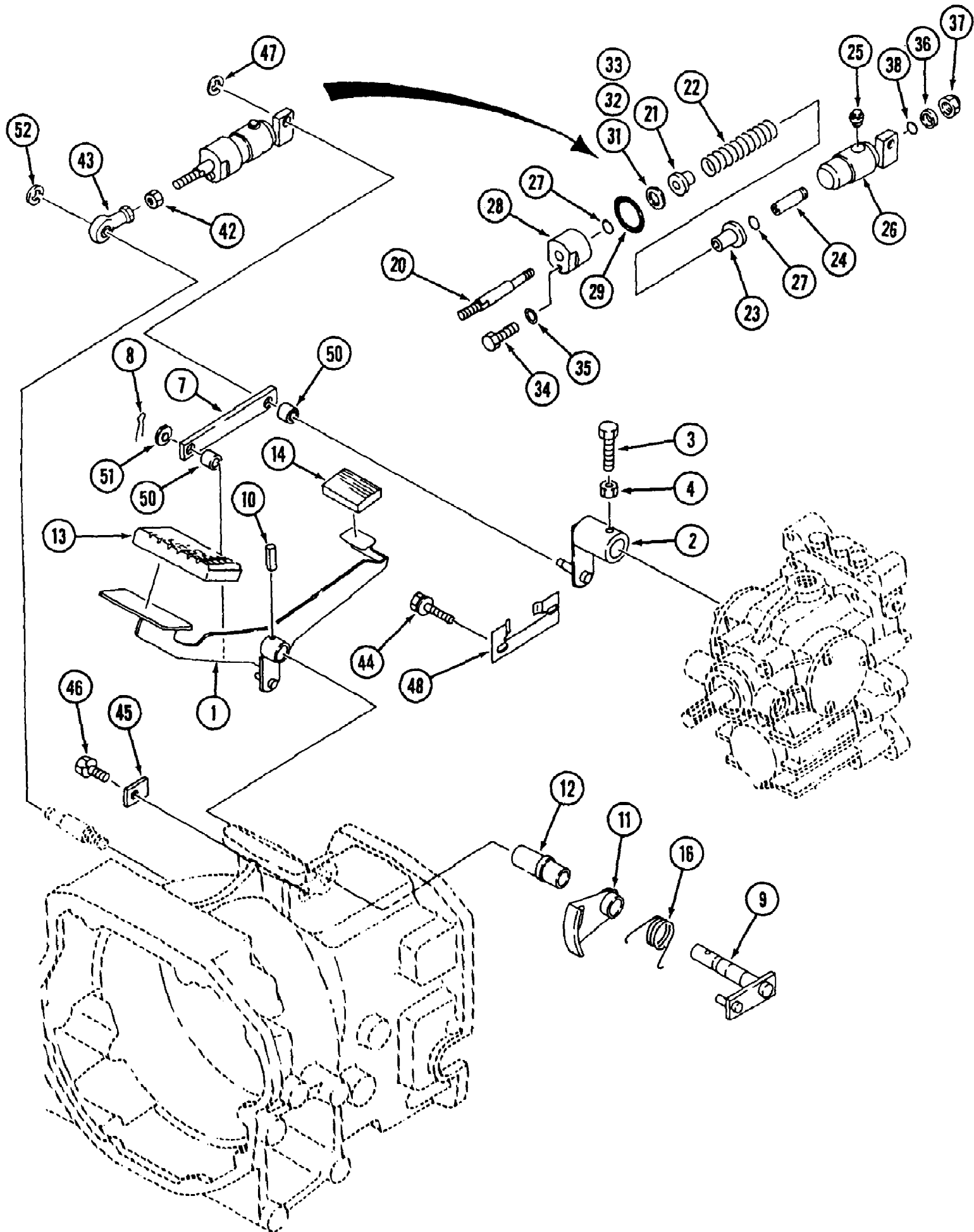
Page 84 of 200

Ref #	Part Number	Qty	S/P/F	Description
1	MA-MK99200001	1		Metal, Sealing
2	MA-MK99300140	1	S	Wire
3	MA-MM401080	1		Bolt, High Speed Set
4	MA-MM401082	1		Bolt, Low Idle Set
5	MA-MM407006	1		Governor Weight Ass'y.
6	MA-MM407010	1		Sliding Shaft Ass'y.
7	MA-MM407028	1		Governor Lever Ass'y.
8	MA-MM435575	1		Spring, Tie Rod
9	MA-MM409181	1		Rod, Tie
10	MA-MM407031	1		Shaft, Governor
11	MA-MM407035	2	S	Lever, Governor Spring
12	MA-MM432379	1		Speed Control Lever Ass'y.
13	MA-MM409150	1		Cover, Tie Rod
18	MA-30A63-00100	1	/P	Gasket, Cover
19	MA-K8712630	1		Pin, Grooved
20	MA-MM409186	1		Spring, Governor
21	MA-MF241222	3		Bolt, w/Washer
22	MA-MF430004	2		Nut
23	MA-MF430725	2		Nut, Jam
24	MA-MF450405	2		Washer, Spring
25	MA-MF520002	1		O-Ring
26	MA-MF241224	4		Bolt, w/Washer
28	MA-MF244823	1	S	Bolt, w/Washer
32	MA-30A87-00090	1	S	Solenoid & Nut Replaces MA-03A87-00400 Solenoid & Nut
	MA-30A87-10400	1	S	Solenoid w/o Nut Refer to Service Bulletin CCT-004
34	MA-MM409671	1		Nut
35	MA-MM409239	1		Pin, Grooved



7234 Tractor
Horn Kit

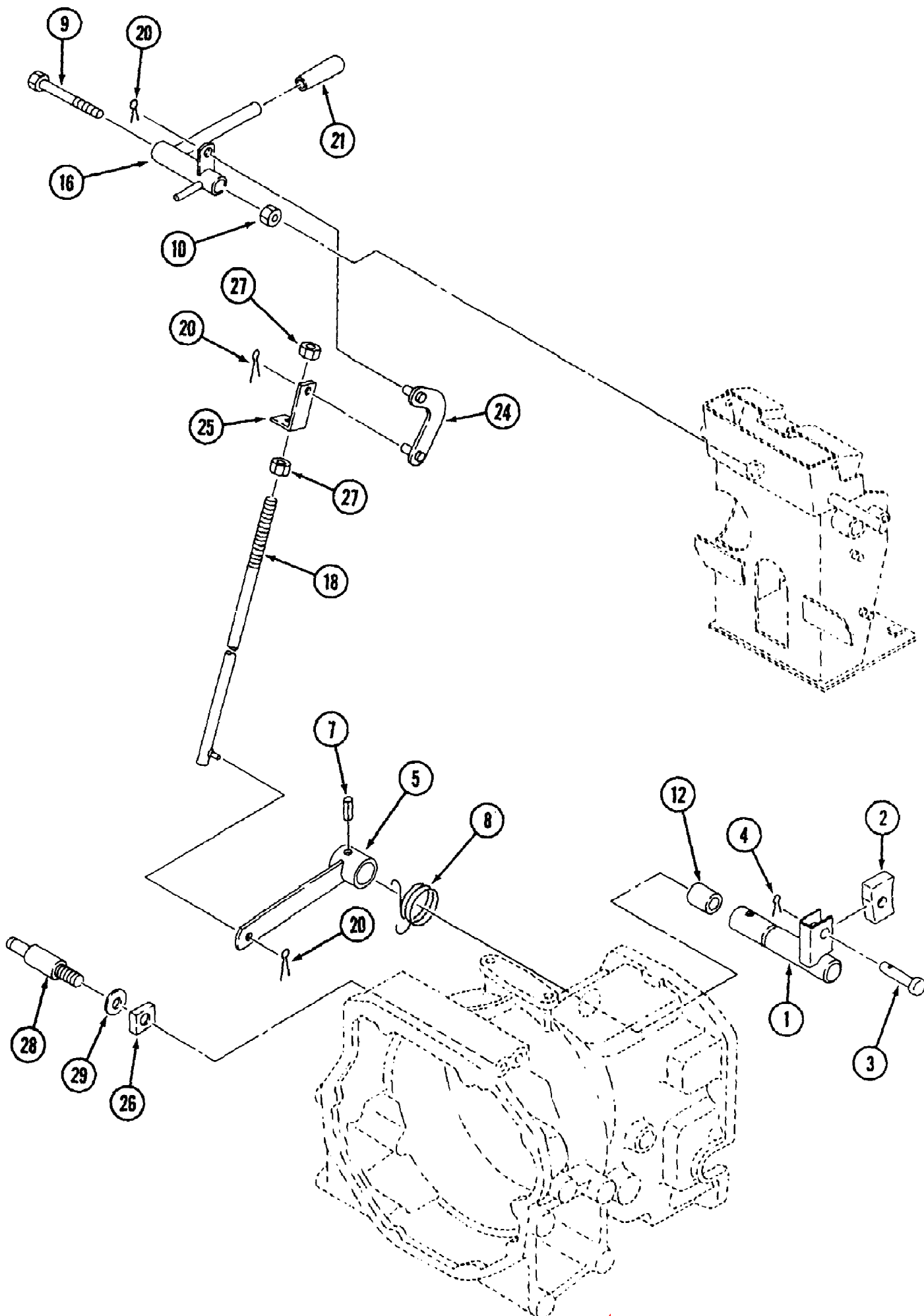
Ref #	Part Number	Qty	S/P/F	Description
	MA-HRNJ20	1		Horn Kit Includes items 1-8
1	MA-67404-02100	1		Horn
2	MA-H1440106016	2	/P	Bolt
	MA-12187771000	1		Horn Switch Ass'y. Includes items 5-9
5	MA-19842949110	1		Switch Ass'y.
6	MA-19842962120	1		Nut
7	MA-A3600100802	1		Washer
8	MA-12187772000	1		Boot
9	MA-12187773000	1		Packing



7234 Tractor
HST Control (Part 1)

Page 88 of 200

Ref #	Part Number	Qty	S/P/F	Description
1	MA-19642301AG0	1		Pedal, HST
2	MA-19642303AG0	1		Arm
3	MA-19632304000	1		Bolt Set
4	MA-A3030110003	1	/P	Nut
7	MA-19642308000	1		Plate
8	MA-05200130020	1		Pin, Split
9	MA-19632311000	1		Shaft, Pedal
10	MA-05500006032	1		Pin, Spring
11	MA-19632313000	1		Arm, Lock
12	MA-19632312000	1		Shaft
13	MA-11931812000	1		Cover, Pedal
14	MA-10320228000	1		Cover, Pedal
16	MA-19632317000	1		Spring
	MA-19632321001	1	/P	Return Spring Ass'y.
20	MA-19632361000	1		Shaft A
21	MA-19632366000	1		Guide A
22	MA-19871263000	1		Spring
23	MA-19632365000	1		Guide B
24	MA-19632362000	1		Shaft B
25	MA-A6010101000	1	/P	Plug
26	MA-19632363000	1		Cap A
27	MA-08300100120	2	S	O-Ring
28	MA-19632364000	1		Cap B
29	MA-08300100260	1		O-Ring
	MA-19632368000	1		Liner Set include item #31, #32, and #33
31	MA-07310001201	AR		Liner t=0.15
32	MA-07310001203	AR		Liner t=0.3
33	MA-07310001205	AR		Liner t=0.5
34	MA-A2000105008	1		Bolt
35	MA-08330000500	1		Seal, Washer
36	MA-19632367000	1		Collar
37	MA-A3500106000	1		Nut
38	MA-08300100060	1		O-Ring
42	MA-A3010108002	1		Nut
43	MA-10302436000	1		Link, Ball R
44	MA-H1550110020	2		Bolt
45	MA-19631724000	1		Plate
46	MA-F1550110020	1		Bolt
47	MA-07420100800	1		Ring
48	MA-19642332000	1		Plate
50	MA-19632309000	2		Bushing
51	MA-08331001000	1	/P	Washer
52	MA-07420100600	1		Ring

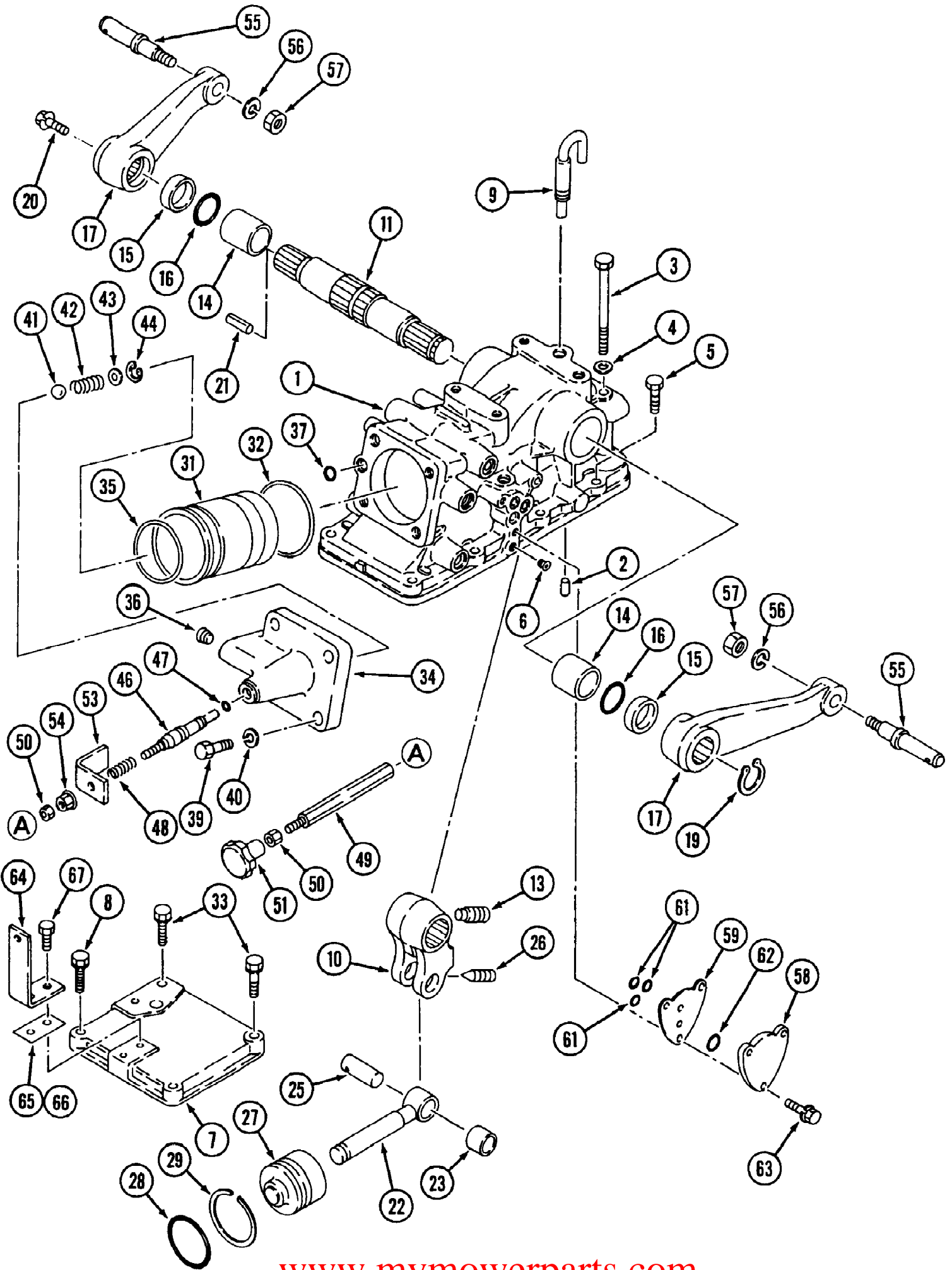


7234 Tractor
HST Control (Part 2)

Page 90 of 200

Ref #	Part Number	Qty	S/P/F	Description
1	MA-19632334000	1		Arm, Brake
2	MA-19632336000	1		Shoe
3	MA-05620108025	1		Pin, Clevis
4	MA-05200125016	1	S	Pin, Split
5	MA-19632338AG0	1		Arm
7	MA-05500006032	1		Pin, Spring
8	MA-19642339000	1		Spring
9	MA-A5150112295	1		Bolt
10	MA-A3030112003	1		Nut
12	MA-07972020200	1		Bushing
16	MA-19632347AG1	1		Lever,Lock
18	MA-19642352000	1		Rod
20	MA-05200125016	3	S	Pin, Split
21	MA-14212284000	1		Grip
24	MA-19632348001	1		Plate
25	MA-19632354000	1		Plate
26	MA-19631724000	1		Plate
27	MA-A3000106002	2		Nut
28	MA-19642333001	1		Bolt Set
29	MA-A3600101002	1	/P	Washer

7234 Tractor
Hydraulic Lift (Part 1)



7234 Tractor
Hydraulic Lift (Part 1)

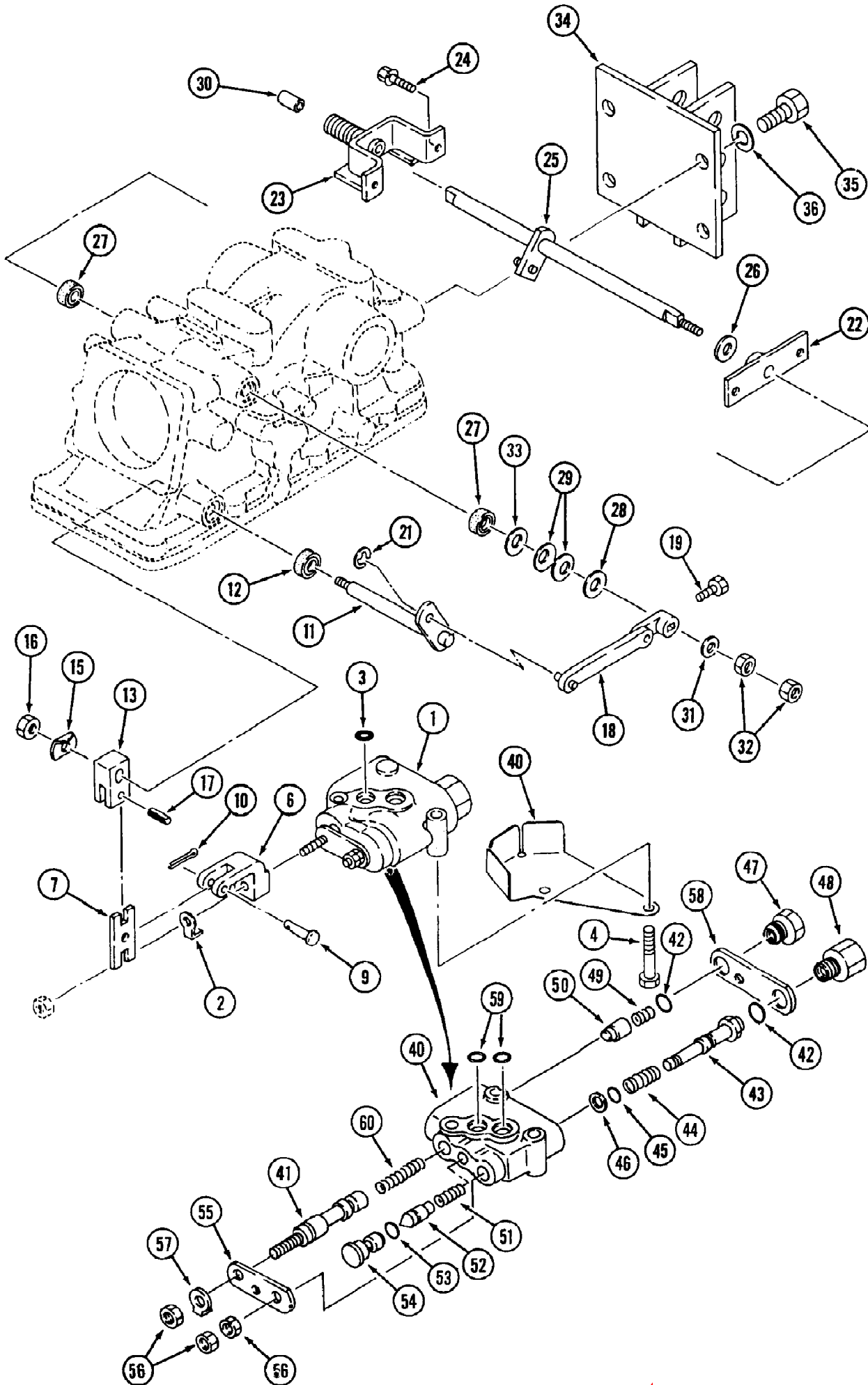
Page 92 of 200

Ref #	Part Number	Qty	S/P/F	Description
1	MA-19642401AG0	1		Case, Hydraulic
2	MA-05401010020	2		Pin, Dowel
3	MA-A0550110130	2		Bolt
4	MA-A3600101002	2	/P	Washer
5	MA-F1550110045	6		Bolt
6	MA-A6010A01300	4		Plug
7	MA-19642404AG0	1	F	Cover Used with MA-19641211AG0 T/M Case, See "Transmission (Part 1)" illustration and parts list.
	MA-19642404AG1	1	F	Cover Used with MA-19641211AG1 T/M Case, See "Transmission (Part 1)" illustration and parts list.
8	MA-F1550110040	1		Bolt
9	MA-11762466AG2	1		Pipe, Vent
10	MA-19642407000	1		Arm, Power
11	MA-19642409000	1		Shaft, Hydraulic
13	MA-HA130302000	1		Screw
14	MA-07972045300	2		Bushing
15	MA-11742458000	2		Collar
16	MA-08300200450	2		O-Ring
17	MA-19642413AG0	2		Arm Lift
	MA-19642413AG1	2		Arm Lift Replaces MA-19642413AG0 by also ordering MA-10382406000 Lift Arm Pin
19	MA-07400004200	1		Ring
20	MA-F1550110025	1		Bolt
21	MA-05500004016	1		Pin, Spring
22	MA-19642416000	1		Rod, Piston
23	MA-07972022200	1		Bushing
25	MA-19632418000	1		Pin
26	MA-HA130401000	1		Screw
27	MA-19642417000	1		Piston
28	MA-08300100700	1		O-Ring
29	MA-11762417000	1		Ring, Back Up
31	MA-19642419000	1		Cylinder, Hydraulic
32	MA-08300500900	1		O-Ring
33	MA-F1550110050	2		Bolt
34	MA-19642421AG0	1		Head, Cylinder
35	MA-08300200750	1	/P	O-Ring
36	MA-A6010101300	1		Plug
37	MA-08301100120	1	/P	O-Ring
39	MA-A9450114050	4		Bolt
40	MA-A3600101402	4		Washer
41	MA-08000001100	1		Ball
42	MA-11501707000	1		Spring
43	MA-19822413000	1		Washer
44	MA-07410001500	1		Ring
46	MA-19082411000	1		Screw, Pilot
47	MA-08301100060	1		O-Ring
48	MA-10252447000	1		Spring
49	MA-19632424000	1		Shaft
50	MA-A3010108002	2		Nut
51	MA-19062432000	1		Pin

7234 Tractor
Hydraulic Lift (Part 1)

Page 93 of 200

Ref #	Part Number	Qty	S/P/F	Description
53	MA-19632423AG0	1		Lever, Stopper
54	MA-F3010108001	1		Nut
55	MA-10253061004	2	S	Pin, Lift Arm Used with MA-19642413AG0 Lift Arm
	MA-10382406000	2		Pin, Lift Arm Used with MA-19642413AG1 Lift Arm
56	MA-A3600101602	2		Washer
57	MA-A3030116002	2		Nut
58	MA-10072448AG0	1		Cap
59	MA-10072449000	1		Plate
61	MA-08301100120	3	/P	O-Ring
62	MA-08301100250	1		O-Ring
63	MA-F1540108035	3		Bolt
64	MA-19642426000	1		Bracket
65	MA-36004159010	AR		Shim
66	MA-10312415000	AR		Shim
67	MA-F1540108016	2		Bolt



7234 Tractor
Hydraulic Lift (Part 2)

Ref #	Part Number	Qty	S/P/F	Description
1	MA-69473-40700	1	/P	Valve, Control Include items #1, #2, and #3
2	MA-11802471130	1		Plate, Stopper
3	MA-08301100120	2	/P	O-Ring
4	MA-F1540108050	2		Bolt
6	MA-10212425001	1		Fork
7	MA-10032419001	1		Link, Valve
9	MA-05620006030	1		Pin, Clevis
10	MA-05200125016	1	S	Pin, Split
11	MA-10212424AG0	1		Shaft, Lever
12	MA-08401012227	1		Oil Seal
13	MA-10032415000	1		Shifter, Valve
15	MA-11352426000	1		Plate
16	MA-A3010108002	1		Nut
17	MA-05500008016	1		Pin, Spring
18	MA-19642453AG0	1		Lever Ass'y.
19	MA-A0400106012	1		Bolt
21	MA-07420100600	1		Ring
22	MA-19642456000	1		Plate
23	MA-19642457000	1		Bracket
24	MA-F1540108020	2		Bolt
25	MA-19642458AG0	1		Shaft
26	MA-19041264000	1		Lining, Brake
27	MA-08401012227	2		Seal, Oil
28	MA-03500151226	1		Washer S/N 20630 & below.
	MA-31212559000	1	S	Liner S/N 20631 & above. Replaces MA-03500151226 by also ordering MA-19063258000.
29	MA-36105725100	2		Spring
30	MA-07961012120	1		Bushing
31	MA-03500140818	1		Washer
32	MA-A3010108002	2		Nut
33	MA-19072433000	1		Washer S/N 20630 & below.
	MA-19063258000	1		Washer S/N 20631 & above. Replaces MA-19072433000 by also ordering MA-31212559000.
34	MA-10213026AG0	1	/P	Bracket, Top Link
35	MA-A0400114030	4		Bolt
36	MA-A3600101402	4		Washer
40	MA-69473-40711	1	S	Body Ass'y.
41		1		Spool Order Ref. No. 40
42	MA-08300100150	2		O-Ring
43	MA-10032416140	1		Poppet
44	MA-11802471190	1		Spring
45	MA-08300100070	1		O-Ring
46	MA-11802471180	1		Ring, Back Up
47	MA-10032416150	1		Plug
48	MA-69473-40712	1		Plug, Seat
49	MA-11802471240	1	S	Spring
50	MA-10032416170	1		Valve, Unloader
51	MA-19952436120	1		Spring
52	MA-10032416180	1		Valve, Check
53	MA-08301100090	1		O-Ring

7234 Tractor
Hydraulic Lift (Part 2)

Ref #	Part Number	Qty	S/P/F	Description
54	MA-10032416190	1		Seat
55	MA-69473-40713	1		Plate
56	MA-A3010108003	3		Nut
57	MA-11802471130	1		Plate, Stopper
58	MA-69473-10711	1		Plate
59	MA-08301100120	2	/P	O-Ring
60	MA-69473-10712	1		Spring, Return

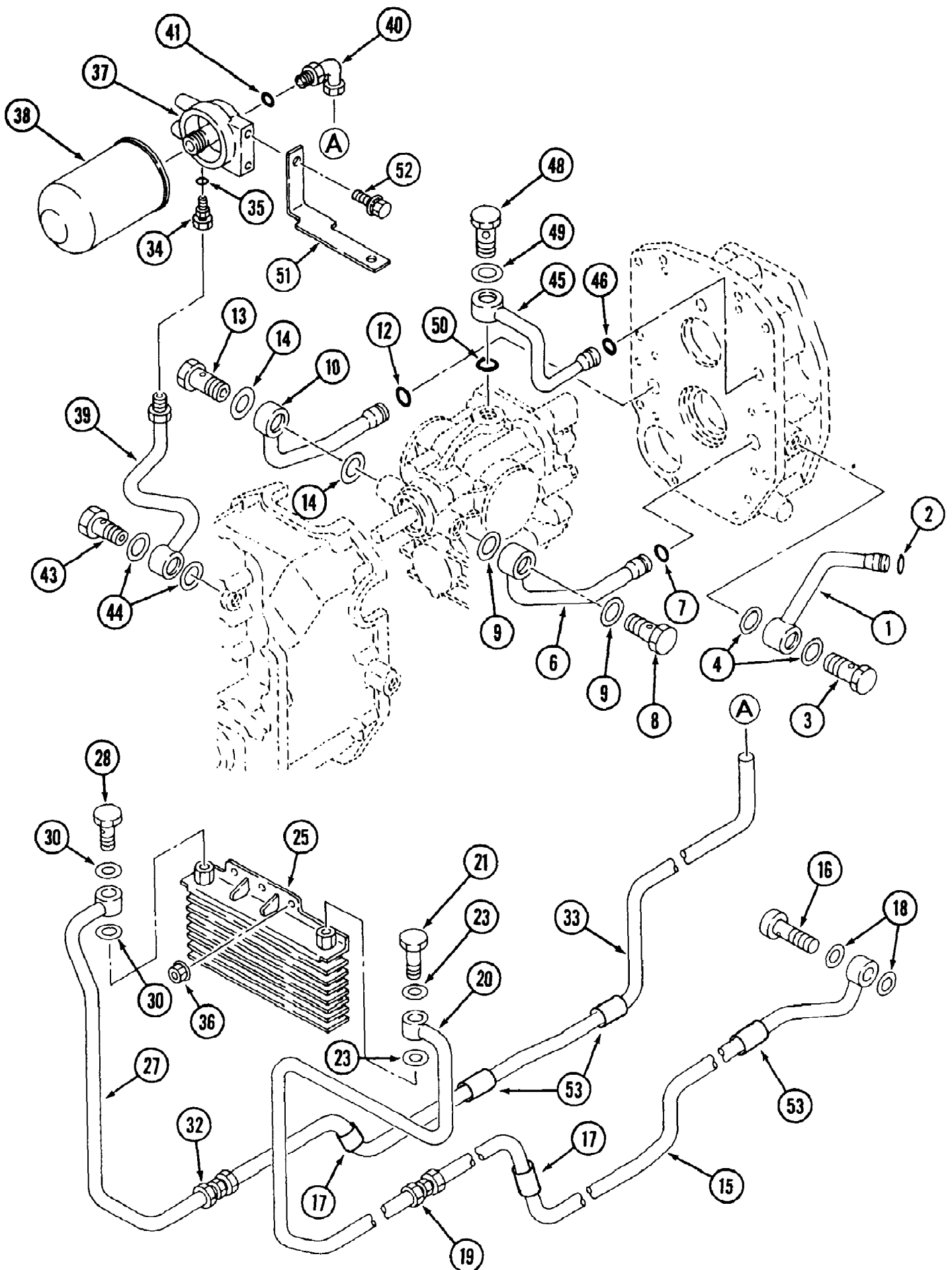
7234 Tractor
Hydraulic Lift (Part 3)

Ref #	Part Number	Qty	S/P/F	Description
1	MA-19642461AG0	1		Bracket
2	MA-H1550110025	1	F	Bolt
	MA-F1550110050	1	F	Bolt
3	MA-19642462AG0	1	/P	Lever, P/C Ass'y.
4	MA-19642467BD0	1		Lever Guide R.H.
5	MA-H1540108020	4		Bolt
6	MA-10302444000	1		Grip
7	MA-19641752000	1		Cushion
8	MA-A0400106012	1		Bolt
9	MA-10212426000	1		Lever
11	MA-03500130815	1		Washer
12	MA-05500003020	1	/P	Pin, Spring
13	MA-08401012227	1		Oil Seal
14	MA-10032409AG0	1		Arm, Feedback
15	MA-05500005032	1		Pin, Spring
17	MA-19642464AG0	1		Pin, Joint
18	MA-07420100800	1		Ring
19	MA-10212433001	1		Rod
20	MA-19642465AG0	1		Plate
22	MA-10212423000	1		Joint
23	MA-07420100600	1		Ring
24	MA-A3010108002	1		Nut
25	MA-03500130815	2		Washer
26	MA-10212434000	1		Spring
27	MA-05200125016	1	S	Pin, Split
29	MA-10212438000	2		Grip
30	MA-10302445000	2		Stopper
31	MA-19642466000	2		Plate
32	MA-05200120016	2		Pin, Split
33	MA-03500150822	1		Washer
34	MA-A3010108002	2		Nut
35	MA-19642463AG0	1		Lever, P/C Ass'y.
36	MA-19632439000	1		Tube

7234 Tractor
Hydraulic Line (Part 3)

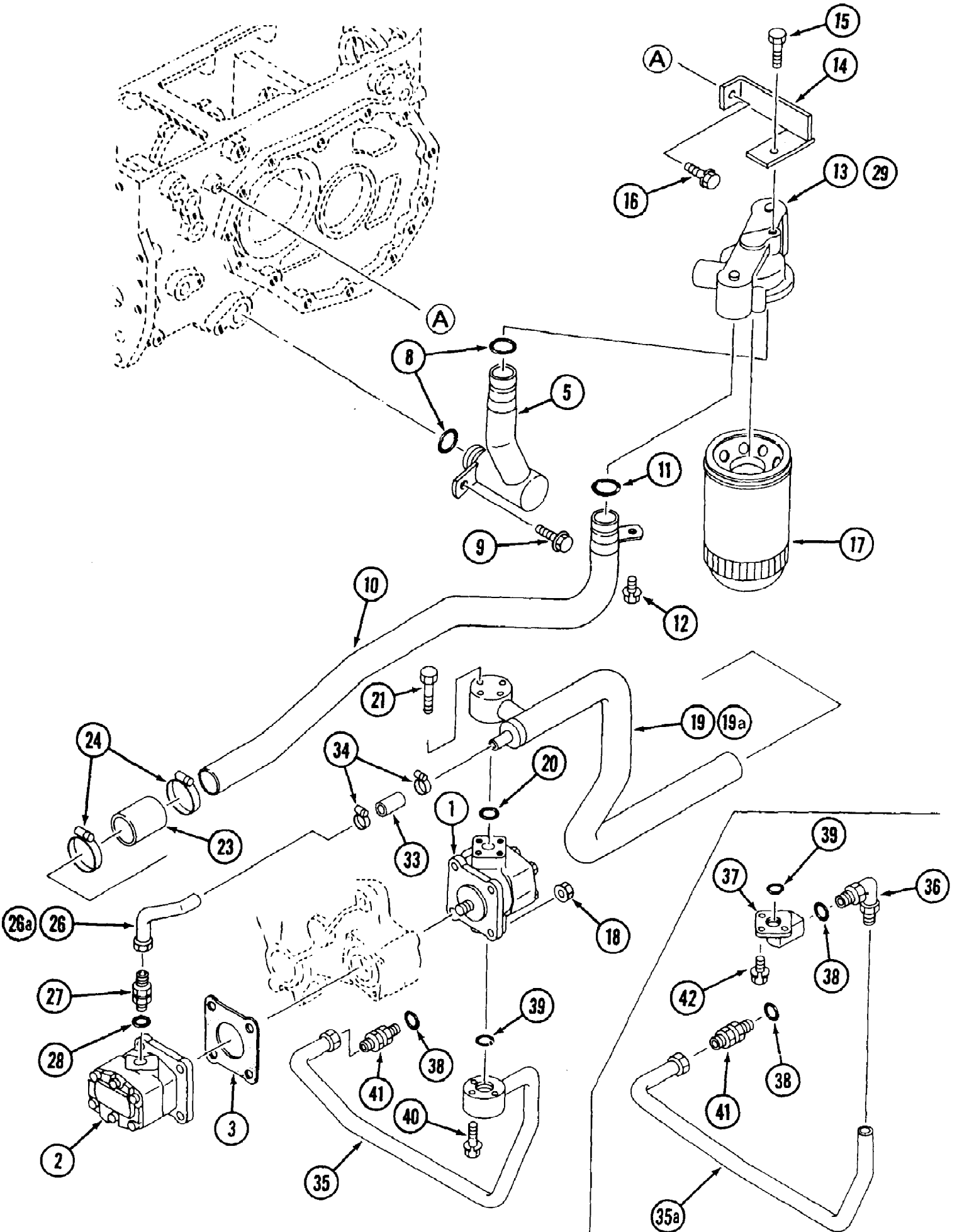
Page 100 of 200

Ref #	Part Number	Qty	S/P/F	Description
	MA-19682523AG0	1	S	Block Ass'y. Include items #1-20 and #42
1	MA-19632524AG0	1		Block
2	MA-A6010101000	3	/P	Plug
3	MA-19632525000	1		Shaft
4	MA-08300100160	2	/P	O-Ring
5	MA-19632526000	1		Plate
7	MA-F1540108016	1		Bolt
8	MA-A6010101700	3		Plug
9	MA-10052405120	1		Plug
10	MA-08300500180	1		O-Ring
11	MA-10052405170	1		Spring
	MA-19632523900	1		Shim Set Include items #13-#16
13	MA-10052405130	AR		Shim t=0.1 As Required
?14	MA-10052405140	AR		Shim t=0.3 As Required
?15	MA-10052405150	AR		Shim t=1.0 As Required
16	MA-10052405160	AR		Shim t=2.0 As Required
17	MA-03500141022	1		Washer
18	MA-10052405180	1		Poppet
19	MA-08000000600	1		Ball Not used with Relief Housing MA-10052405191
20	MA-10052405190	1	S	Relief Housing (NLA)
	MA-10052405191	1	/P	Relief Housing Replaces MA-10052405190 by also removing Ball MA-08000000600 (Ref. 19).
21	MA-19642527AG0	1		Pipe C Press. Ass'y.
22	MA-06203115171	1		Body, (Nipple)
23	MA-08301100140	1		O-Ring
24	MA-11352474000	1		Pipe
25	MA-10302534000	1		Bolt, Eye
26	MA-08331001600	2		Seal Washer
27	MA-19642529AG0	1	S	Pipe D
28	MA-10302534000	2		Bolt, Eye
29	MA-08331001600	4		Seal Washer
30	MA-19632522000	1		Hose
32	MA-36949485001	1		Adapter Include item #33
33	MA-08300100140	1		O-Ring
39	MA-35231902000	1		Hose C
42	MA-F3000106011	1		Nut
45	MA-F1540108016	1		Bolt
48	MA-35231887000	1	F	Adapter A Include item #48A
	MA-06318117150	1	F	Adapter
49	MA-35231899000	1	F	Adapter Include item #49A
	MA-06319117150	1	F	Adapter
48A	MA-08300100140	1		O-Ring
49A	MA-08300100140	1		O-Ring
50	MA-00501100240	2		Clamp Hose
53	MA-A6010101700	1		Plug



7234 Tractor
Hydraulic Line (Part 4)

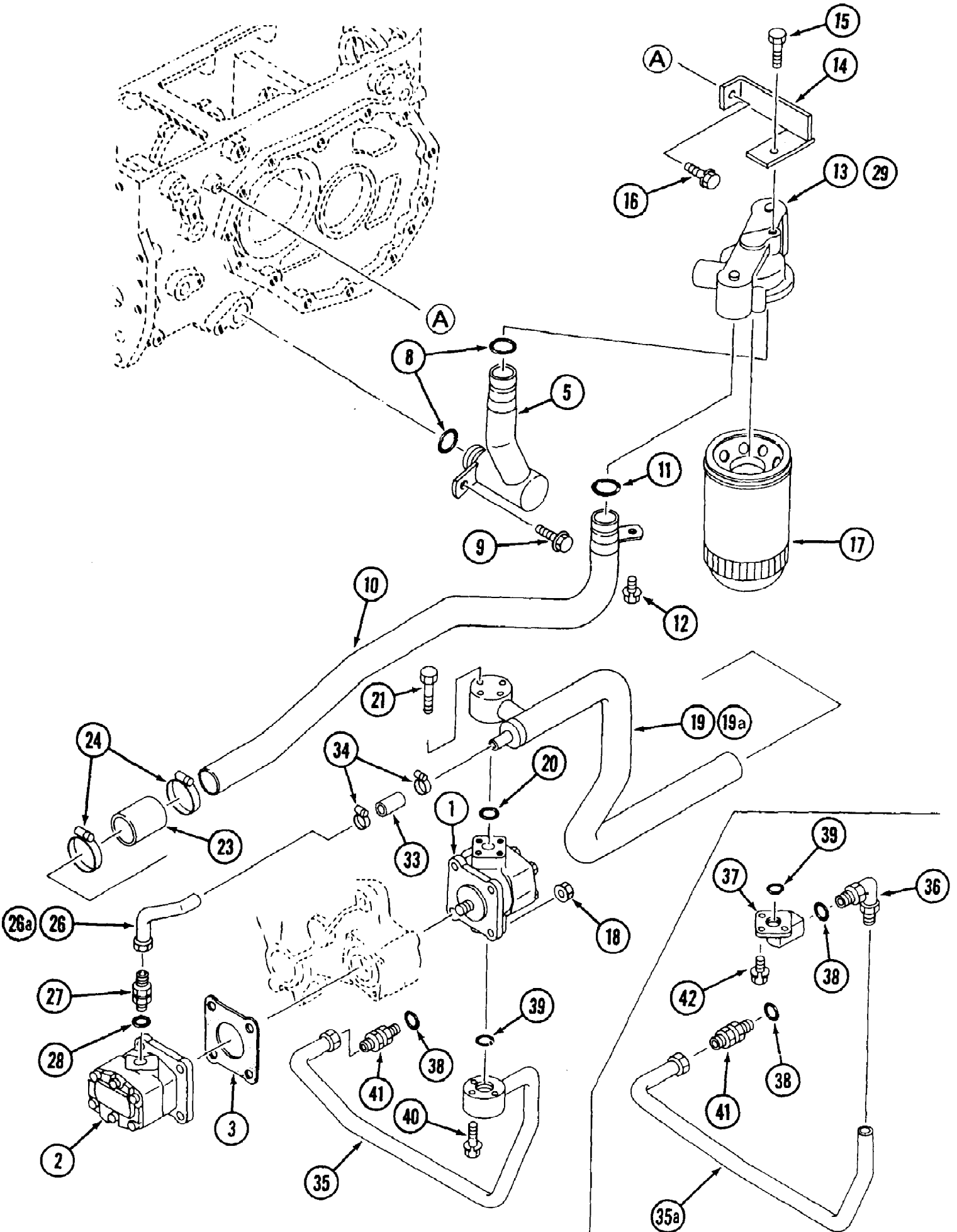
Ref #	Part Number	Qty	S/P/F	Description
1	MA-19642541AG0	1		Pipe L
2	MA-08301100160	1		O-Ring
3	MA-10302541000	1		Bolt, Eye
4	MA-08331002200	2		Seal, Washer
6	MA-19642542AG0	1		Pipe M
7	MA-08301100160	1		O-Ring
8	MA-10302541000	1		Bolt, Eye
9	MA-08331002200	2		Seal, Washer
10	MA-19642543AG0	1		Pipe N
12	MA-08301100140	1		O-Ring
13	MA-10302541000	1		Bolt, Eye
14	MA-08331002200	2		Seal, Washer
15	MA-19642545AG0	1		Pipe, P Ass'y.
16	MA-10302534000	1		Bolt, Eye
17	MA-11352474000	1		Pipe Qty of 2 used on 727 HST
18	MA-08331001600	2		Seal, Washer
19	MA-06201115001	1		Body (Union)
20	MA-19642548AG0	1		Pipe Q Ass'y.
21	MA-10302534000	1		Bolt, Eye
23	MA-08331001601	2		Seal, Washer
25	MA-19642552000	1		Cooler, Oil
27	MA-19642553AG0	1		Pipe S Ass'y.
28	MA-10302534000	1		Bolt, Eye
30	MA-08331001601	2		Seal Washer
32	MA-06201115001	1		Body (Union)
33	MA-19642557AG0	1		Pipe, U Ass'y.
34	MA-06203115171	1		Body (Nipple)
35	MA-08301100140	1		O-Ring
36	MA-F3010108001	2		Nut
37	MA-19632559AG0	1	/P	Head Filter
38	MA-19632558000	1		Filter, Oil
39	MA-19642560AG0	1		Pipe 1 Ass'y.
40	MA-06205115171	1		Body (Elbow)
41	MA-08301100140	1		O-Ring
43	MA-10302534000	1		Bolt, Eye
44	MA-08331001600	2		Seal, Washer
45	MA-19642563AG0	1		Pipe W
46	MA-08301100140	1		O-Ring
48	MA-10302541000	1		Bolt, Eye
49	MA-08331002200	1		Seal, Washer Used on 727 HST only
50	MA-08301100240	1		O-Ring
51	MA-19642564AG0	1		Bracket
52	MA-F1550110020	1		Bolt
53	MA-11352474000	3		Pipe



7234 Tractor
Hydraulic Line - Gear (Part 1)

Page 104 of 200

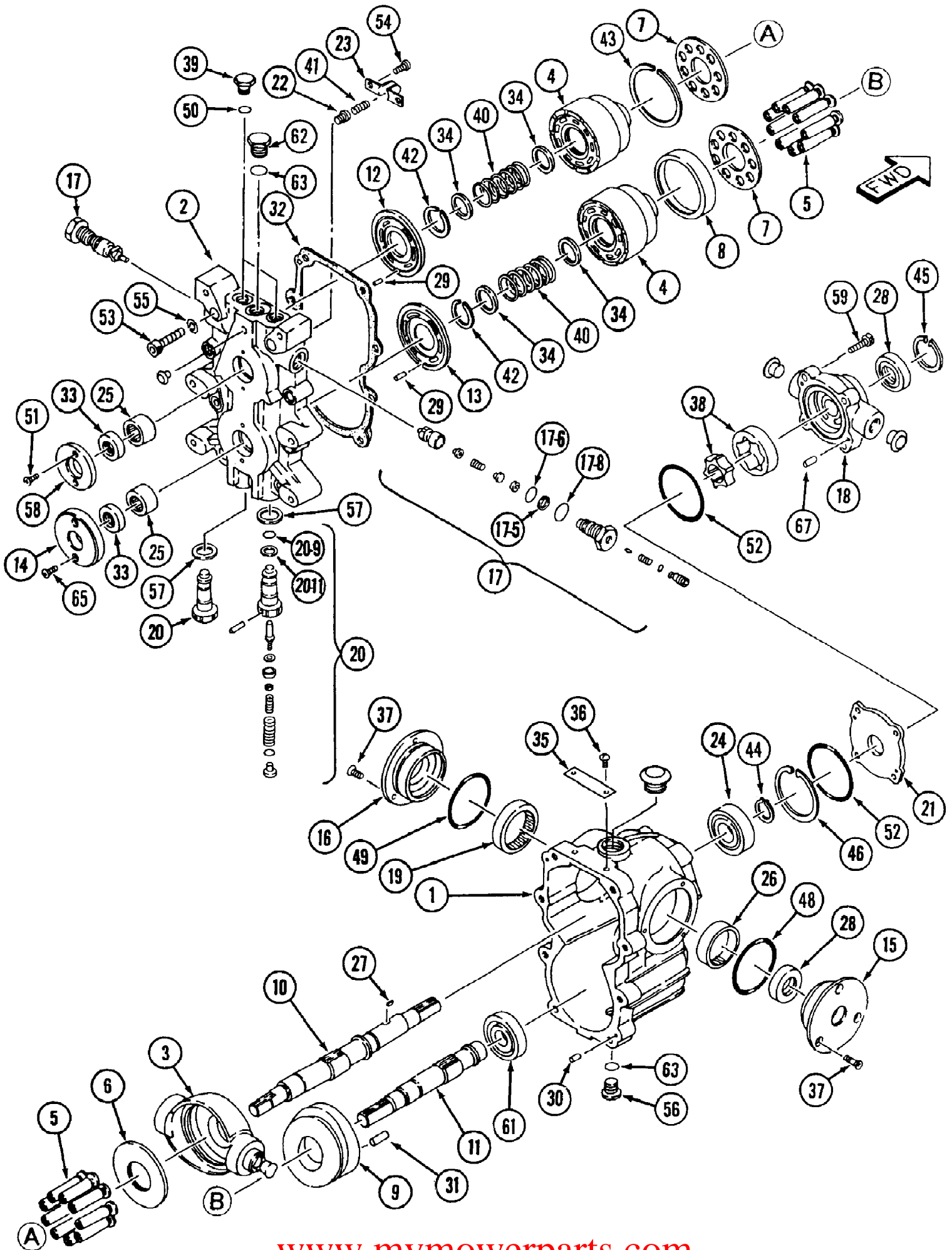
Ref #	Part Number	Qty	S/P/F	Description
1	MA-10302501002	1	/P	Pump (Mod. No. 13.8-3953JL)
2	MA-10302539002	1	/P	Pump (Mod. No. 6.3-3042J)
3	MA-67700-20101	AR		Packing As Required
5	MA-19642503AG0	1	F	Pipe, A Suction
	MA-19682513AG0	1	F	Pipe, A Suction
8	MA-08300100240	2		O-Ring
9	MA-H1550110020	1		Bolt
10	MA-19642504AG0	1	/P	Pipe, B Suction
11	MA-08300100240	1		O-Ring
12	MA-F1540108016	1		Bolt
13		0		Base, Filter Not used on this product
14	MA-19642508AG0	1	/P	Bracket
15	MA-F1540108020	1		Bolt
16	MA-F1550110020	1		Bolt
17	MA-19642509000	1		Filter
18	MA-F3010108001	4		Nut
19	MA-19642511AG1	1		Pipe, C Suction
19A		0		Pipe, D Suction Not used on this product
20	MA-08300100200	1		O-Ring
21	MA-F1440106050	3		Bolt
23	MA-11762527000	1		Hose
24	MA-HA230101000	2		Clip, Hose
26	MA-19632513AG1	1		Pipe, E Ass'y.
26A		0		Pipe, F Suction Ass'y. Not used on this product
27	MA-06203115211	1		Body (Nipple)
28	MA-08301100180	1		O-Ring
29	MA-19642506AG0	1		Base, Filter
33	MA-19632515001	1		Hose
34	MA-00501100240	2		Clamp, Hose
35	MA-19642518AG0	1		Pipe, A Press. Ass'y.
35A		0		Pipe, B Press. Ass'y. Not used on this product
36		0		Body (Elbow) Not used on this product
37		0		Joint Not used on this product
38	MA-08301100140	1		O-Ring
39	MA-08301100180	1		O-Ring
40	MA-F1440106040	3		Bolt
41	MA-06203115171	1		Body (Nipple)
42		0		Bolt Not used on this product



7234 Tractor
Hydraulic Line - HST (Part 1)

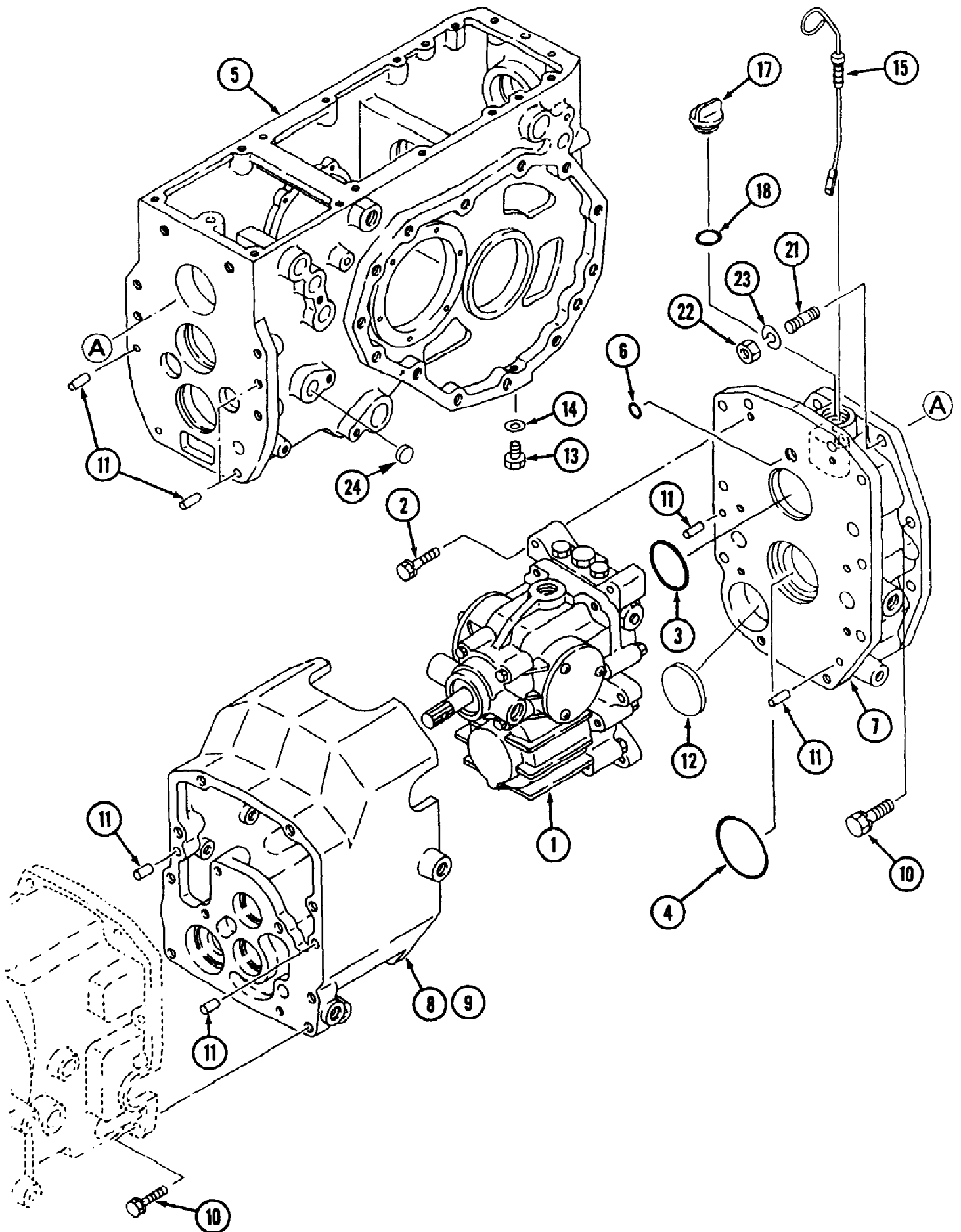
Page 106 of 200

Ref #	Part Number	Qty	S/P/F	Description
1	MA-10302501002	1	/P	Pump (Mod. No. 13.8-3953JL)
2	MA-10302539002	1	/P	Pump (Mod. No. 6.3-3042J)
3	MA-67700-20101	AR		Packing As Required
5	MA-19642503AG0	1	F	Pipe, A Suction
	MA-19682513AG0	1	F	Pipe, A Suction
8	MA-08300100240	2		O-Ring
9	MA-H1550110020	1		Bolt
10	MA-19642504AG0	1	/P	Pipe, B Suction
11	MA-08300100240	1		O-Ring
12	MA-F1540108016	1		Bolt
13	MA-19642507AG0	1		Base, Filter
14	MA-19642508AG0	1	/P	Bracket
15	MA-F1540108020	1		Bolt
16	MA-F1550110020	1		Bolt
17	MA-19642509000	1		Filter
18	MA-F3010108001	4		Nut
19	MA-19642511AG1	1		Pipe, C Suction
19A		0		Pipe, D Suction Not used on this product
20	MA-08300100200	1		O-Ring
21	MA-F1440106050	3		Bolt
23	MA-11762527000	1		Hose
24	MA-HA230101000	2		Clip, Hose
26	MA-19632513AG1	1		Pipe, E Ass'y.
26A		0		Pipe, F Suction Ass'y. Not used on this product
27	MA-06203115211	1		Body (Nipple)
28	MA-08301100180	1		O-Ring
29		0		Base, Filter Not used on this product
33	MA-19632515001	1		Hose
34	MA-00501100240	2		Clamp, Hose
35	MA-19642518AG0	1		Pipe, A Press. Ass'y.
35A		0		Pipe, B Press. Ass'y. Not used on this product
36		0		Body (Elbow) Not used on this product
37		0		Joint Not used on this product
38	MA-08301100140	1		O-Ring
39	MA-08301100180	1		O-Ring
40	MA-F1440106040	3		Bolt
41	MA-06203115171	1		Body (Nipple)
42		0		Bolt Not used on this product



Ref #	Part Number	Qty	S/P/F	Description
1	MA-19641301111	1		Case
2	MA-19641301120	1		Block, Port
3	MA-19641301130	1		Swash, Plate
4		2		Cylinder Block
5		18		Piston S/A
6	MA-19641301170	1		Plate, Thrust
7	MA-19641301150	2		Plate, Retainer
8		1		Holder, Retainer
9		1		Swash, Plate
10	MA-19641301180	1		Shaft
11	MA-19641301190	1		Shaft
12	MA-19641301210	1		Plate, Valve
13	MA-19641301220	1		Plate, Valve
14	MA-19641301230	1		Flange
15		1		Cover A
16		1		Cover B
17	MA-19641301280	2		Valve S/A
17-5	MA-08320100140	2		Ring, Back Up
17-6	MA-08300100140	2		O-Ring
17-8	MA-08301100180	2		O-Ring
18		1		Charge Pump
19		1		Bearing, Needle
20	MA-19641301340	2		Valve S/A
20-9	MA-08300100140	2		O-Ring
20-11	MA-08320100140	2		Ring, Back Up
21	MA-19641301351	1		Plate
22	MA-19631301470	1		Valve
23	MA-19631301370	1		Holder, Spring
24	MA-19641301360	1		Bearing, Ball
25	MA-19641301370	2		Bearing, Needle
26		1		Bushing
27	MA-19641301310	1		Key
28	MA-19641301320	2		Seal, Oil
29	MA-19631301380	2		Pin
30	MA-19641301380	2		Pin
31	MA-19641301390	1		Pin
32	MA-19641301410	1		Gasket
33	MA-19631301140	2		Seal, Oil
34		4		Holder, Spring
35		1		Plate, Name
36		2		Screw, Drive
37	MA-A2220106014	6		Screw
38		1		Trochoid Rotor S/A
39	MA-19641301420	2		Plug
40		2		Spring
41	MA-19631301430	1		Spring
42		2		Ring, Snap
43	MA-19641301430	1		Ring, Snap
44	MA-07400002500	1	/P	Ring, Snap
45	MA-07410004500	1		Ring, Snap
46	MA-07410006200	1		Ring, Snap
48	MA-08300200650	1		O-Ring
49	MA-19641301270	1		O-Ring

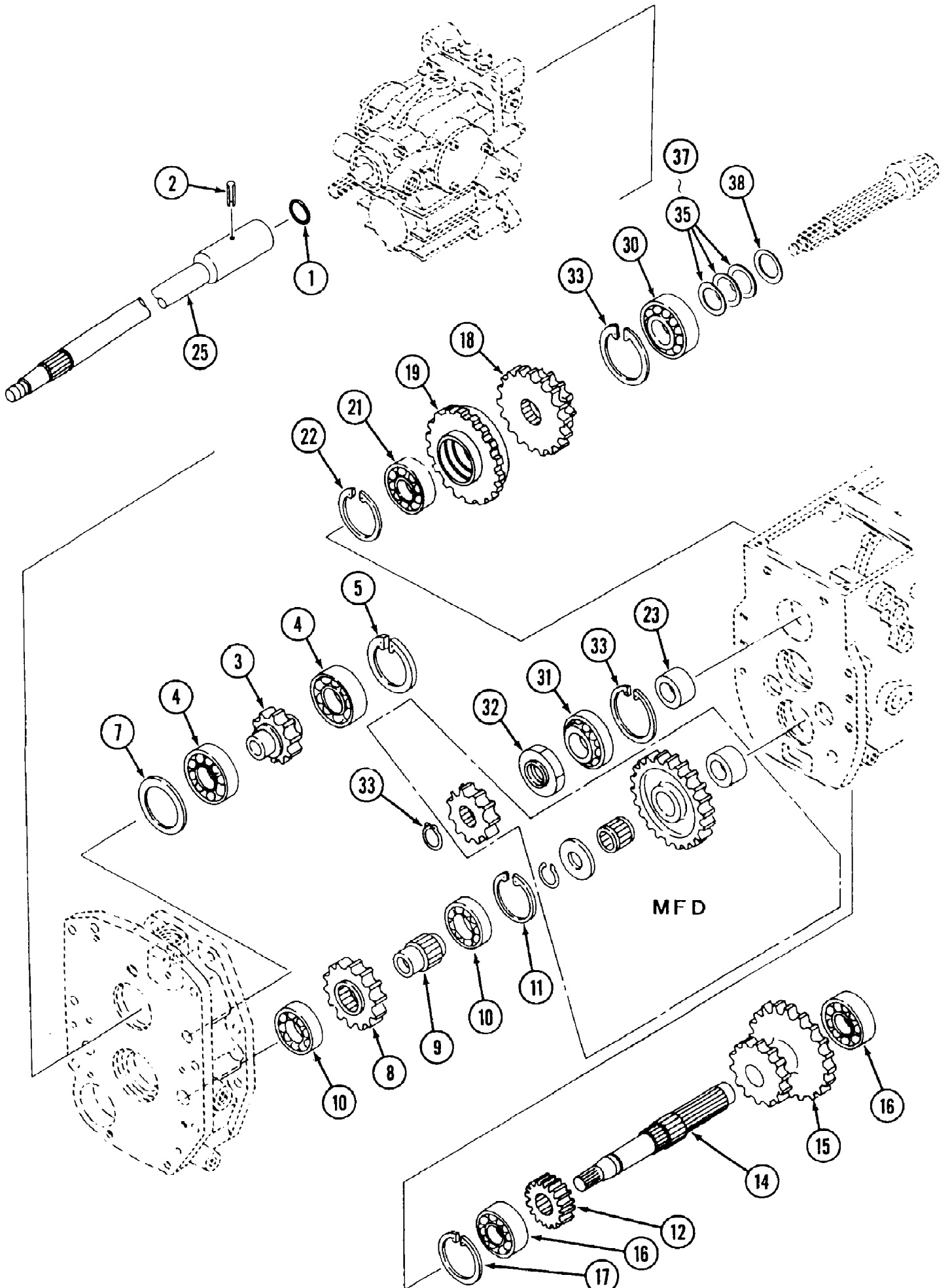
Ref #	Part Number	Qty	S/P/F	Description
50	MA-08301100110	2		O-Ring
51	MA-A2220105012	2		Screw
52	MA-19641301330	2		O-Ring
53	MA-A5440710040	8		Bolt
54	MA-A5440706010	2		Bolt
55	MA-A3600101002	8	/P	Washer, Spring
56	MA-19641301450	1		Plug
57	MA-19631301350	2		Washer, Seal
58	MA-19641301460	1		Flange
59	MA-19641301520	4		Bolt
61	MA-19641301480	1		Bearing, Ball
62	MA-19631301620	1		Plug
63	MA-08301100140	2		O-Ring
65	MA-A2220105016	2		Screw
67	MA-19641301530	2		Pin
	MA-19641301490	1	F	Seal Kit
	MA-19641301140	1	F	Cylinder Block (P) Ass'y.
	MA-19641301160	1	F	Cylinder Block (M) Ass'y.
	MA-19641301291	1	F	Charge Pump Ass'y.
	MA-19641301240	1	F	Cover A
	MA-19641301260	1	F	Cover B



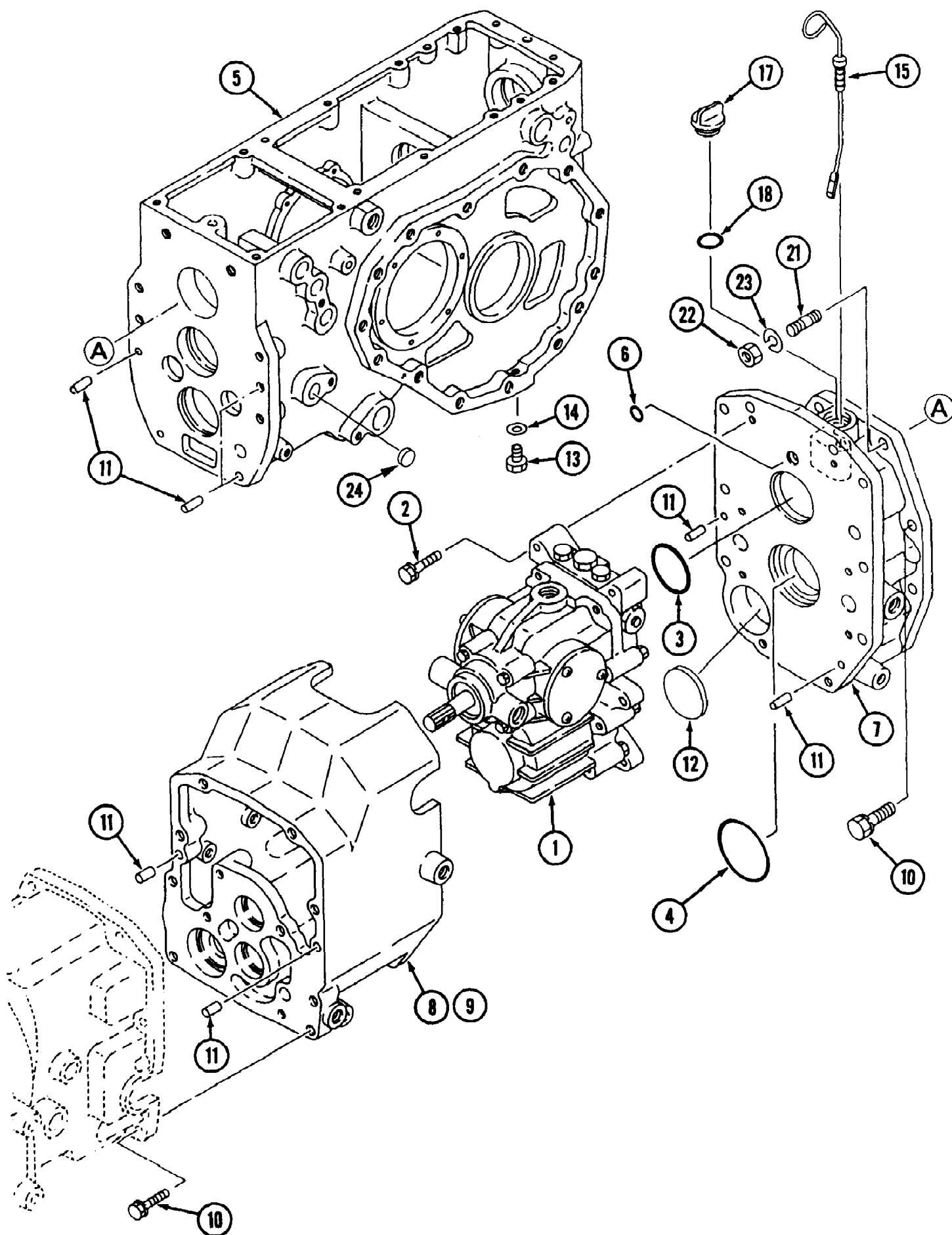
7234 Tractor
Hydrostatic - 2WD (Case)

Page 111 of 200

Ref #	Part Number	Qty	S/P/F	Description
1	MA-19641301000	1	/P	Hydrostatic Unit
2	MA-F1550110055	6		Bolt
3	MA-08300500560	1		O-Ring
4	MA-08300200700	1		O-Ring
5	MA-19641211AG0	1	F	Case, T/M (STD)
	MA-19641211AG1	1	F	Case, T/M (STD)
	MA-19641211AG2	1	F	Case, T/M (STD)
6	MA-08301100140	1		O-Ring
7	MA-19641302AG0	1		Case, Center
8		1		Cover, HST Not used on this model
9	MA-19641304AG0	1		Cover, HST
10	MA-F1540112035	24		Bolt
11	MA-05401010020	6		Pin, Dowel
12	MA-08340062100	1		Seal Cap
13	MA-F5000-16000	2		Plug
14	MA-08331001600	2		Seal, Washer
15	MA-19641319000	1		Dipstick
17	MA-67472-10601	1		Plug, Oiling
18	MA-08300100280	1		O-Ring
21	MA-A0620112032	2		Stud
22	MA-A3010112002	2		Nut
23	MA-A3600101202	2		Washer
24	MA-08340020070	1		Seal Cap



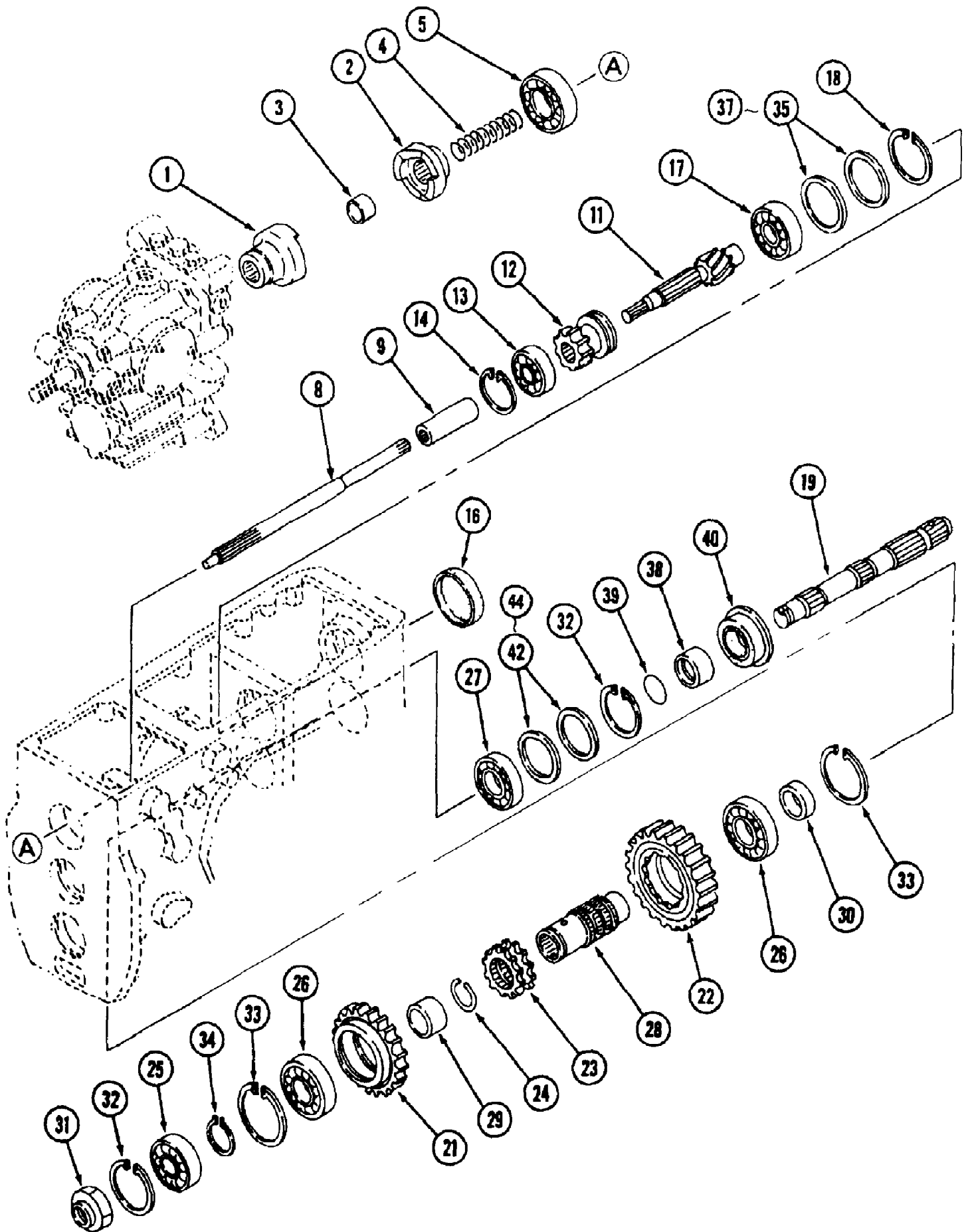
Ref #	Part Number	Qty	S/P/F	Description
1	MA-08301100200	1		O-Ring
2	MA-05500006036	1		Pin, Spring
3	MA-19641306000	1		Gear, 18T
4	MA-07500060060	2		Bearing
5	MA-07410005501	1		Ring
7	MA-07300005510	1		Liner
8	MA-19641307000	1		Gear, 26T
9	MA-19631308000	1		Boss, Spline
10	MA-07500060050	2		Bearing
11	MA-07410004701	1	/P	Ring
12	MA-19641308000	1		Gear, 18T
14	MA-19641309000	1		Shaft, Sub Change
15	MA-19641311000	1		Gear, 26-34T
16	MA-07500063050	2		Bearing
17	MA-07410006200	1		Ring
18	MA-19641312000	1		Gear, 19-28T
19	MA-19641313000	1		Gear, 37T
21	MA-07500062050	1		Bearing
22	MA-07410005201	1	/P	Ring
23	MA-19641243000	1		Collar
25	MA-19641305000	1	S	Shaft, Main
30	MA-07700132206	1		Bearing
31	MA-07700130305	1		Bearing
32	MA-11741273000	1		Nut (M25)
33	MA-07410006200	2		Ring
	MA-10211321000	1		Shim Set Includes items 35-38
35	MA-67700-30300	AR		Shim As Required
?36	MA-67700-30400	AR		Shim As Required
37	MA-67700-30500	AR		Shim As Required
38	MA-67700-30600	1		Shim



7234 Tractor
Hydrostatic - MFD (Case)

Page 115 of 200

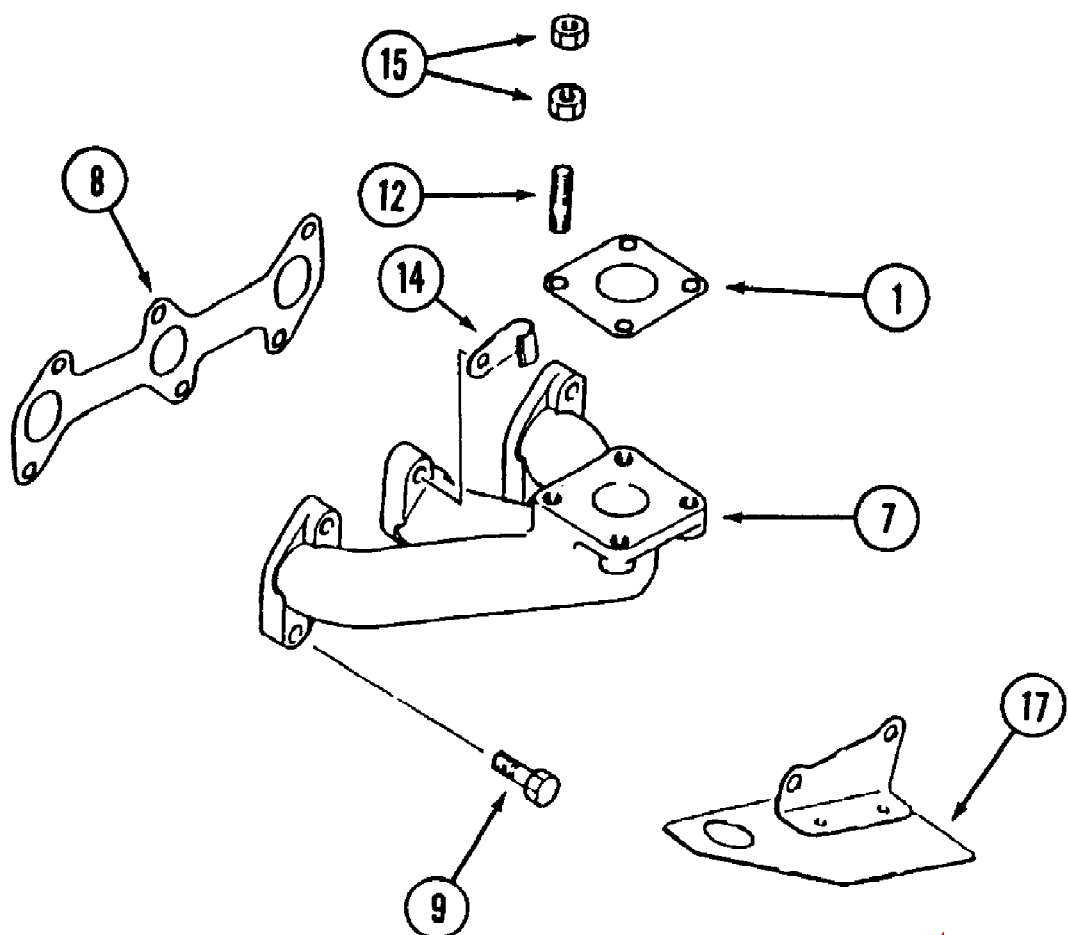
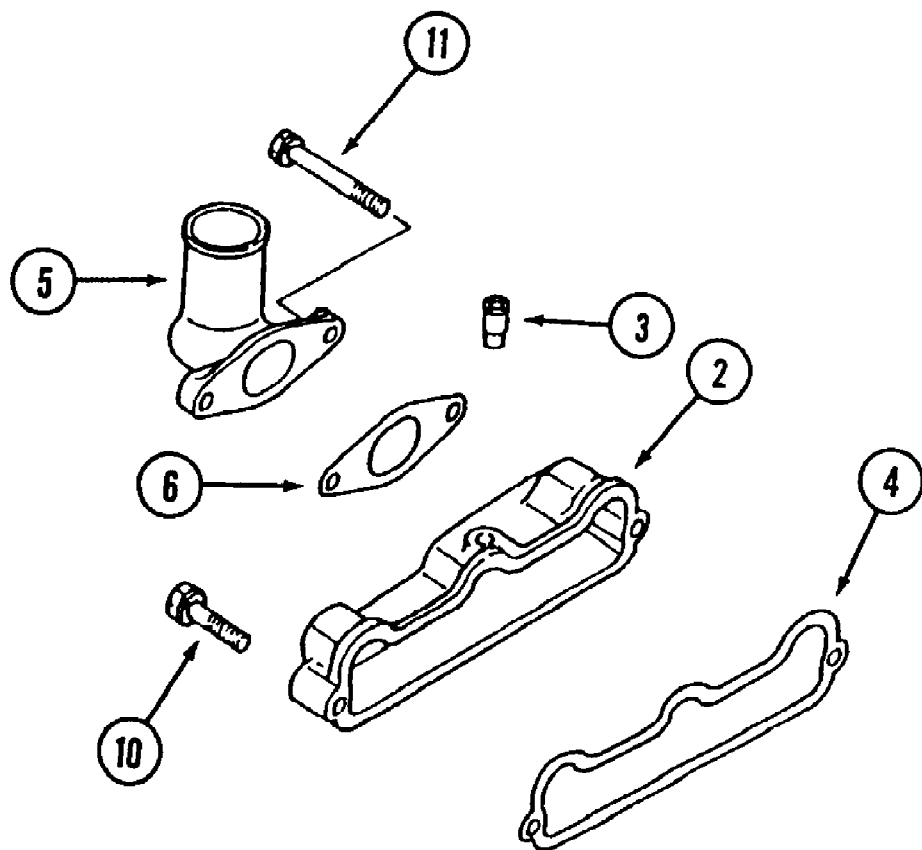
Ref #	Part Number	Qty	S/P/F	Description
1	MA-19641301000	1	/P	Hydrostatic Unit
2	MA-F1550110055	6		Bolt
3	MA-08300500560	1		O-Ring
4	MA-08300200700	1		O-Ring
5	MA-19641211AG0	1	F	Case, T/M (STD)
	MA-19641211AG1	1	F	Case, T/M (STD)
	MA-19641211AG2	1	F	Case, T/M (STD)
6	MA-08301100140	1		O-Ring
7	MA-19641302AG0	1		Case, Center
8	MA-19641303AG0	1	S	Cover, HST Replaces MA-19641303AG0. Remove Liners (2) from bolts securing MFD Case (See "MFD PTO" illustration and parts list)
9		1		Cover, HST Not used on this model
10	MA-F1540112035	24		Bolt
11	MA-05401010020	6		Pin, Dowel
12		1		Seal Cap Not used on this model
13	MA-F5000-16000	2		Plug
14	MA-08331001600	2		Seal, Washer
15	MA-19641319000	1		Dipstick
17	MA-67472-10601	1		Plug, Oiling
18	MA-08300100280	1		O-Ring
21	MA-A0620112032	2		Stud
22	MA-A3010112002	2		Nut
23	MA-A3600101202	2		Washer
24		1		Seal Cap Not used on this model



7234 Tractor
Hydrostatic - With Clutch

Page 117 of 200

Ref #	Part Number	Qty	S/P/F	Description
1	MA-19641316001	1	S/F	Clutch A
2	MA-19831272000	1		Clutch B
3	MA-07972020150	1		Bushing
4	MA-09426-80600	1	S	Spring
5	MA-07500063050	1		Bearing
8	MA-19641318001	1		Shaft
9	MA-10251922000	1	S	Collar
11	MA-19641247000	1		Shaft, PTO Drive
12	MA-19641248000	1	S/F	Gear, 19T Replaces Part No. MA-19641248000
13	MA-07520663050	1		Bearing
14	MA-07410006200	1		Ring
16	MA-08340072100	1		Seal, Cap
17	MA-07520663060	1		Bearing
18	MA-07410007201	1		Ring
19	MA-19641249000	1		Shaft, PTO
21	MA-19641251000	1		Gear, 46T
22	MA-19641252000	1		Gear, 48T
23	MA-19631249000	1		Gear, Clutch
24	MA-19631253000	1		Ring
25	MA-07520663050	1		Bearing
26	MA-07500062070	2		Bearing
27	MA-07520662060	1		Bearing
28	MA-19641254000	1		Boss Spline
29	MA-19631252000	1		Collar
30	MA-19641253000	1		Collar
31	MA-11741273000	1		Nut (M25)
32	MA-07410006200	2		Ring
33	MA-07410007201	2		Ring
34	MA-07400003500	1	S	Ring
	MA-19641281000	1		Liner Set Includes items 35-37
35	MA-07300007202	AR		Liner As Required
36	MA-07300007204	AR		Liner As Required
37	MA-07300007208	AR		Liner As Required
38	MA-10251405000	1		Bushing
39	MA-08300100300	1		O-Ring
40	MA-10211314000	1		Seal, Oil
	MA-10211318000	1		Liner Set Includes items 42-44
42	MA-07300006201	AR		Liner As Required
43	MA-07300006204	AR		Liner As Required
44	MA-07300006208	0		Liner Not used in application

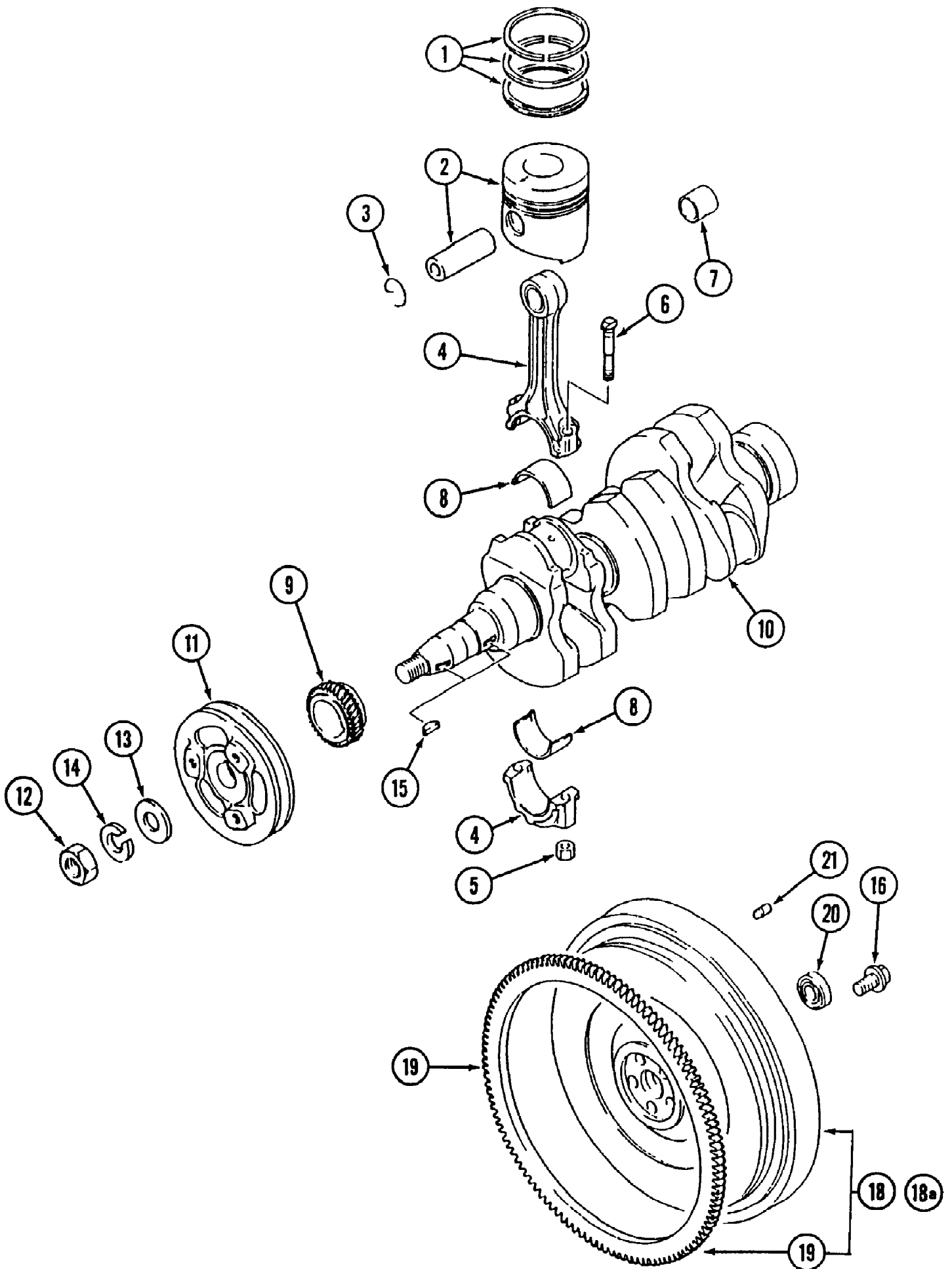


7234 Tractor
Intake And Exhaust Parts

Page 119 of 200

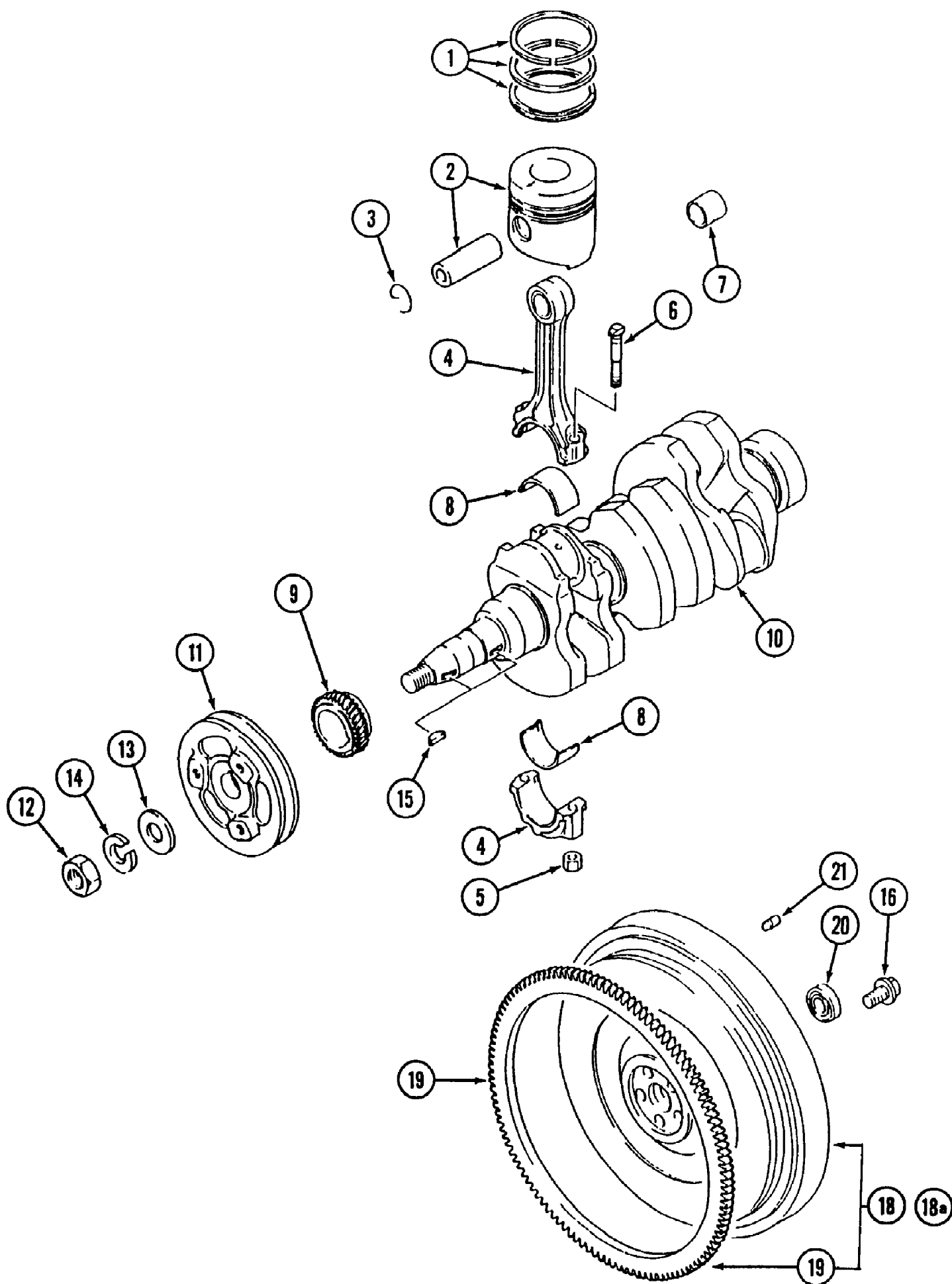
Ref #	Part Number	Qty	S/P/F	Description
1	MA-30A30-00100	1		Gasket
2	MA-MM408541	1		Intake Cover Ass'y.
3	MA-K9644171	1		Pipe
4	MA-MM408551	1	S	Gasket, Intake Manifold
5	MA-MM408563	1		Pipe, Inlet
6	MA-MM408566	1		Gasket, Inlet Pipe
7	MA-MM408557	1		Manifold, Exhaust
8	MA-30A30-00300	1		Gasket, Exhaust Manifold
9	MA-MF101258	6	S	Bolt
10	MA-MF241261	1		Bolt, w/Washer
11	MA-MF241267	2		Bolt, w/Washer
12	MA-MF401936	4	S	Stud
14	MA-MM408590	1		Clamp, Tachometer Cable
15	MA-MM436867	8		Nut
17	MA-MM409424	1		Cover Starter

Ref #	Part Number	Qty	S/P/F	Description
	MA-MM409371	1	S	Oil Pump Ass'y.
1	MA-MD001402	1		Plunger, Relief
2	MA-MD001404	1		Plug, Relief
3	MA-MD000312	1		Gasket
4	MA-K7913410	2	S	Pin, Dowel
5	MA-MM409244	1		Body, Oil Pump
6	MA-MM407125	1		Rotor Ass'y.
7	MA-MM409372	1	S	Cover, Oil Pump
8	MA-MM409204	1		Spring, Relief
9	MA-08300200750	1	/P	O-Ring
10	MA-A6010101300	1		Plug, Taper
11	MA-A6010101000	1	/P	Plug, Taper
12	MA-30H35-00100	1		Gasket, Oil Pump
	MA-MM430598	1	S	Speed Meter Driven Unit
13	MA-MF472535	1	S	Pin, Spring
14	MA-MM430419	1	/P	Sleeve, Gear
15	MA-MD701788	1		O-Ring B
16	MA-MM407171	1	S	Gear, Driven
17	MA-MF520012	1	S	O-Ring
18	MA-MD701789	1		Plate, Locking
20	MA-MF241224	1		Bolt, w/Washer
23	MA-MD134953	1	S	Oil Filter Ass'y.
24	MA-MF660036	1		Washer, Seal
25	MA-MM430174	1		Oil Screen Ass'y.
26	MA-MF430729	1		Nut, Jam
27	MA-MM431777	1	S	Oil Pressure Switch Ass'y.
28	MA-MM409893	1		Service Kit, Relief Valve
29	MA-30A97-00038	1		Service Kit, Rotor
30	MA-MF244864	3	S	Bolt, w/Washer
	MA-MF450405	3		Washer, Lock
	MA-MS450035	3		Washer, Flat
31	MA-MF244866	1		Bolt, w/Washer



7234 Tractor
Main Moving Parts Dual Clutch

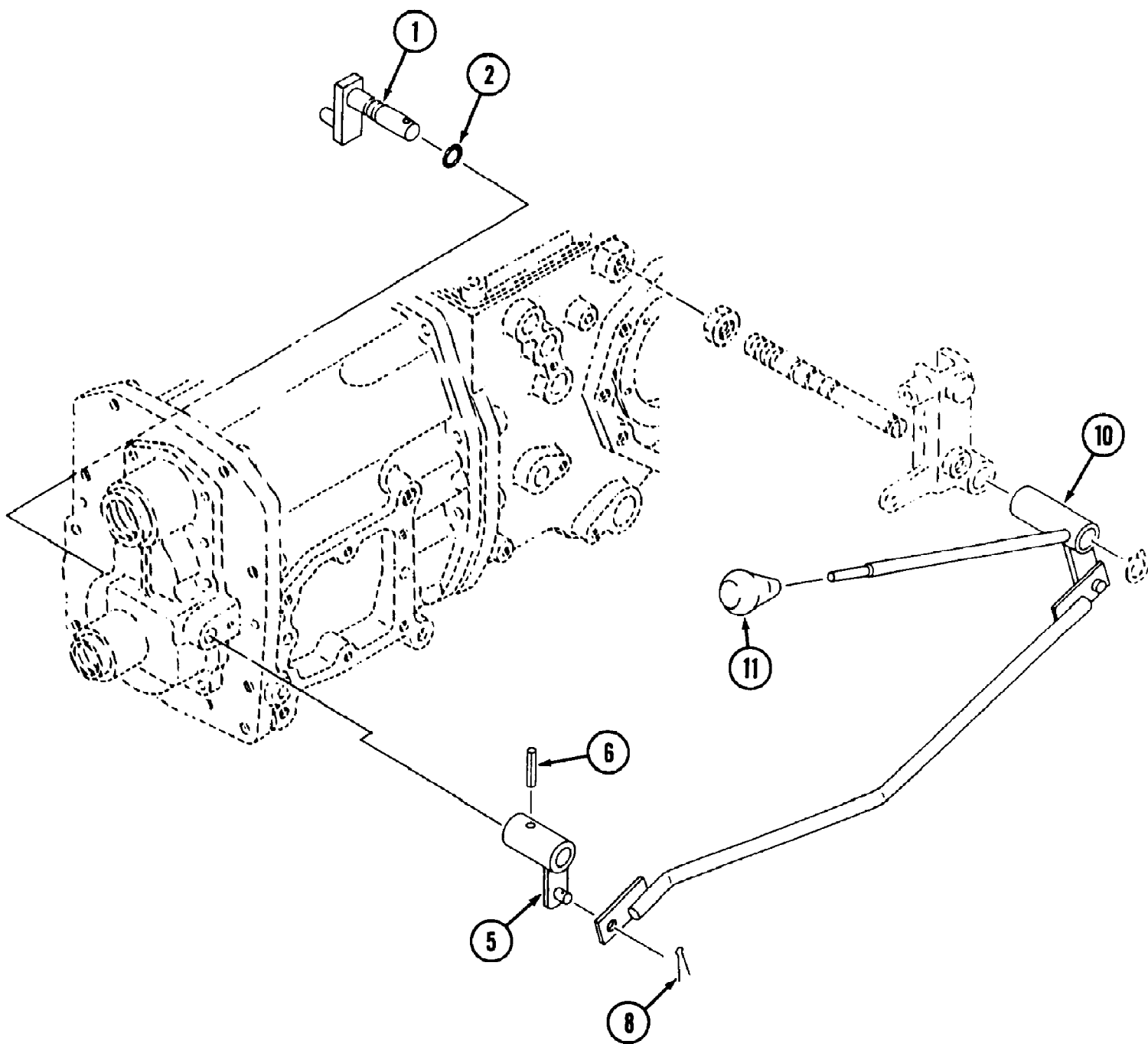
Ref #	Part Number	Qty	S/P/F	Description
1	MA-30A17-02050	3		Ring Set, Piston STD.
	MA-30A17-02060	3		Ring Set, Piston 0.25 OS
	MA-30A17-02070	3		Ring Set, Piston 0.50 OS
	MA-30A17-02080	3		Ring Set, Piston 0.75 OS
2	MA-30A17-03050	3		Piston & Piston Pin Set STD.
	MA-30A17-03060	3		Piston & Piston Pin Set 0.25 OS
	MA-30A17-03070	3		Piston & Piston Pin Set 0.50 OS
	MA-30A17-03080	3		Piston & Piston Pin Set 0.75 OS
3	MA-K8221251	6		Clip, Piston Pin
4	MA-MM409733	3	S	Con-Rod Ass'y.
5	MA-MD000704	6		Nut, Connecting Rod
6	MA-MD000705	6		Bolt, Connecting Rod
7	MA-MM430145	3		Bearing, Small End
8	MA-MM437982	3	S	Bearing Set, Con-Rod STD.
	MA-MM437983	3	S	Bearing Set, Con-Rod 0.25 US
	MA-MM437984	3	S	Bearing Set, Con-Rod 0.50 US
	MA-MM437985	3		Bearing Set, Con-Rod 0.75 US
9	MA-MM430859	1		Gear, Crankshaft
10	MA-MM408895	1	S	Crankshaft
11	MA-30A20-00200	1		Pulley, Crankshaft
12	MA-MF430126	1	S	Nut
13	MA-MF450010	1		Washer, Plain
14	MA-MF450410	1	S	Washer, Spring
15	MA-MF476215	2		Key, Woodruff
16	MA-MD952231	5	S	Bolt, Drive Plate
18	MA-03H21-01050	0		Flywheel Sub Ass'y.
18A		1		Flywheel Sub Ass'y. Not used on this product
19	MA-MD000612	1		Gear, Ring
20	MA-MD002613	1	S	Bearing, Ball
21		0		Pin, Dowel Not used on this product.



7234 Tractor
Main Moving Parts Single Clutch

Page 125 of 200

Ref #	Part Number	Qty	S/P/F	Description
1	MA-30A17-02050	3		Ring Set, Piston STD.
	MA-30A17-02060	3		Ring Set, Piston 0.25 OS
	MA-30A17-02070	3		Ring Set, Piston 0.50 OS
	MA-30A17-02080	3		Ring Set, Piston 0.75 OS
2	MA-30A17-03050	3		Piston & Piston Pin Set STD.
	MA-30A17-03060	3		Piston & Piston Pin Set 0.25 OS
	MA-30A17-03070	3		Piston & Piston Pin Set 0.50 OS
	MA-30A17-03080	3		Piston & Piston Pin Set 0.75 OS
3	MA-K8221251	6		Clip, Piston Pin
4	MA-MM409733	3	S	Con-Rod Ass'y.
5	MA-MD000704	6		Nut, Connecting Rod
6	MA-MD000705	6		Bolt, Connecting Rod
7	MA-MM430145	3		Bearing, Small End
8	MA-MM437982	3	S	Bearing Set, Con-Rod STD.
	MA-MM437983	3	S	Bearing Set, Con-Rod 0.25 US
	MA-MM437984	3	S	Bearing Set, Con-Rod 0.50 US
	MA-MM437985	3		Bearing Set, Con-Rod 0.75 US
9	MA-MM430859	1		Gear, Crankshaft
10	MA-MM408895	1	S	Crankshaft
11	MA-30A20-00200	1		Pulley, Crankshaft
12	MA-MF430126	1	S	Nut
13	MA-MF450010	1		Washer, Plain
14	MA-MF450410	1	S	Washer, Spring
15	MA-MF476215	2		Key, Woodruff
16	MA-MD952231	5	S	Bolt, Drive Plate
18		1		Flywheel Sub Ass'y. Not used on this product
18A	MA-30H21-01060	1		Flywheel Sub Ass'y.
19	MA-MD000612	1		Gear, Ring
20	MA-MD002613	1	S	Bearing, Ball
21	MA-MF472404	3		Pin, Dowel



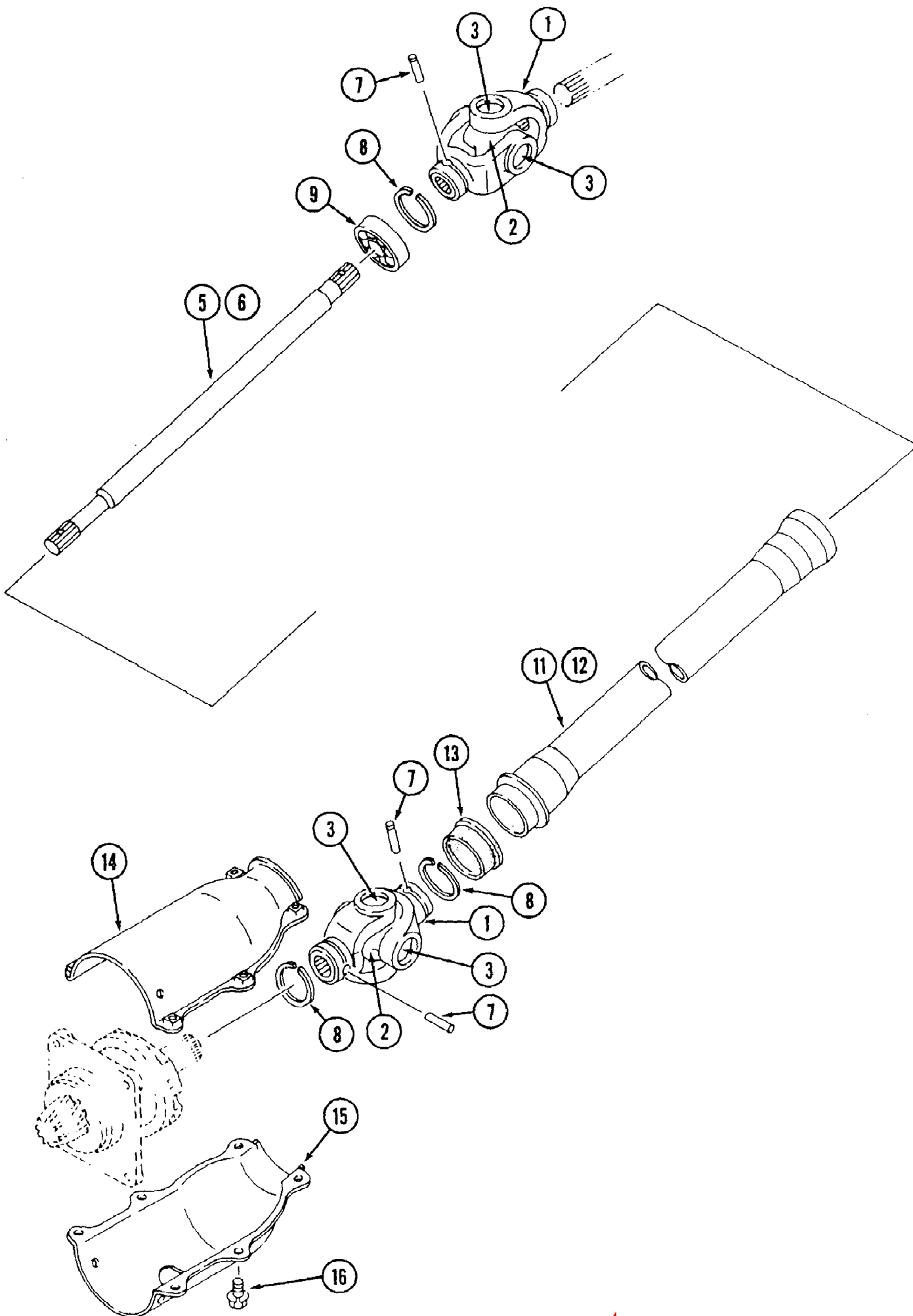
7234 Tractor
MFD Control

Ref #	Part Number	Qty	S/P/F	Description
1	MA-19631851000	1		Shifter, MFD
2	MA-08300100140	1		O-Ring
5	MA-19631853AG0	1		Arm, MFD
6	MA-05500006032	1		Pin, Spring Replace with MA-10191734000
	MA-10191734000	1	F	Pin
8	MA-05200125016	1	S	Pin, Split
10	MA-19641855AG0	1		Lever, MFD
11	MA-06960012360	1		Grip

7234 Tractor
MFD PTO

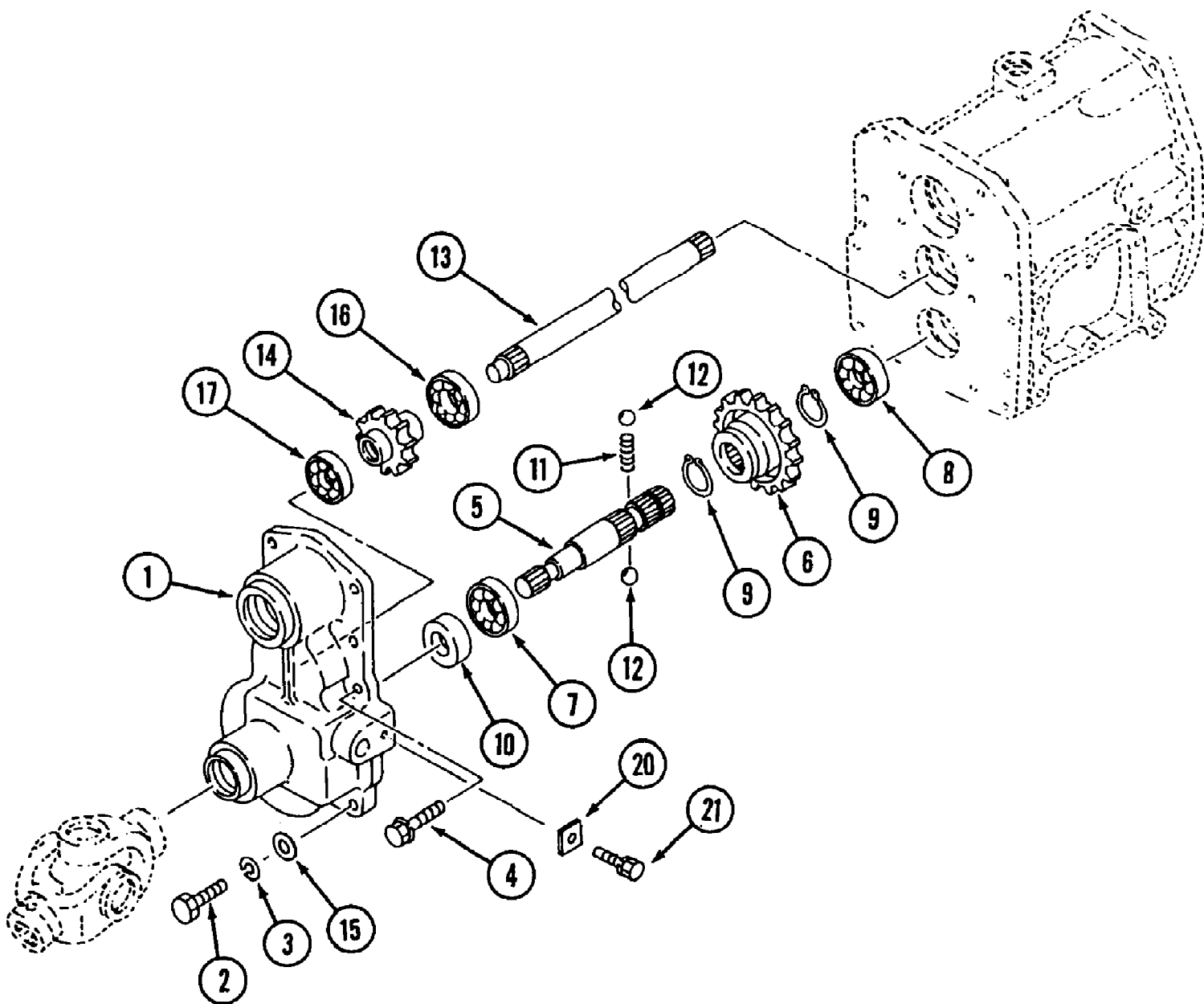
Page 129 of 200

Ref #	Part Number	Qty	S/P/F	Description
1	MA-19641917AG0	1		Case, MFD
2	MA-69542-64700	2		Bolt
3	MA-A3600101002	2	/P	Washer
4	MA-F1550110030	2		Bolt
5	MA-19631918000	1		Shaft
6	MA-19641919000	1		Gear, 31T
7	MA-07500062040	2		Bearing
8	MA-08401020407	1		Seal, Oil
9	MA-07310101010	2	F	Liner
10	MA-10301916000	1		Spring
11	MA-08000000800	2		Ball
12	MA-19641923000	1		Shaft
13	MA-19641924000	1		Gear, 16T
14	MA-07500063030	1		Bearing
15	MA-07500062060	1		Bearing
16	MA-07400002000	1		Ring
18	MA-19631926000	1		Holder
19	MA-08300500260	1		O-Ring
20	MA-08300500560	1		O-Ring
21	MA-19641927000	1		Joint
22	MA-19641928000	1		Gear, 16T
23	MA-07400003000	1	/P	Ring
25	MA-19641929000	1		Gear, 31T
26	MA-07802253020	1		Bearing
27	MA-07400002500	1	/P	Ring
28	MA-19641931000	1		Gear, 24T
29	MA-07400002000	1		Ring
31	MA-07500062060	2		Bearing
32	MA-19641932000	1		Collar
33	MA-10301328000	1		Liner
36	MA-19631971AG0	1		Pipe A
37	MA-19631974000	1		Plate
38	MA-A3030112002	1		Nut
40	MA-19631972000	1		Hose
41	MA-00501100200	2		Clamp
42	MA-19641973AG0	1		Pipe B
43	MA-08301100160	1		O-Ring
44	MA-H1550110020	1		Bolt



7234 Tractor
MFD PTO (Gear & HST Drive)

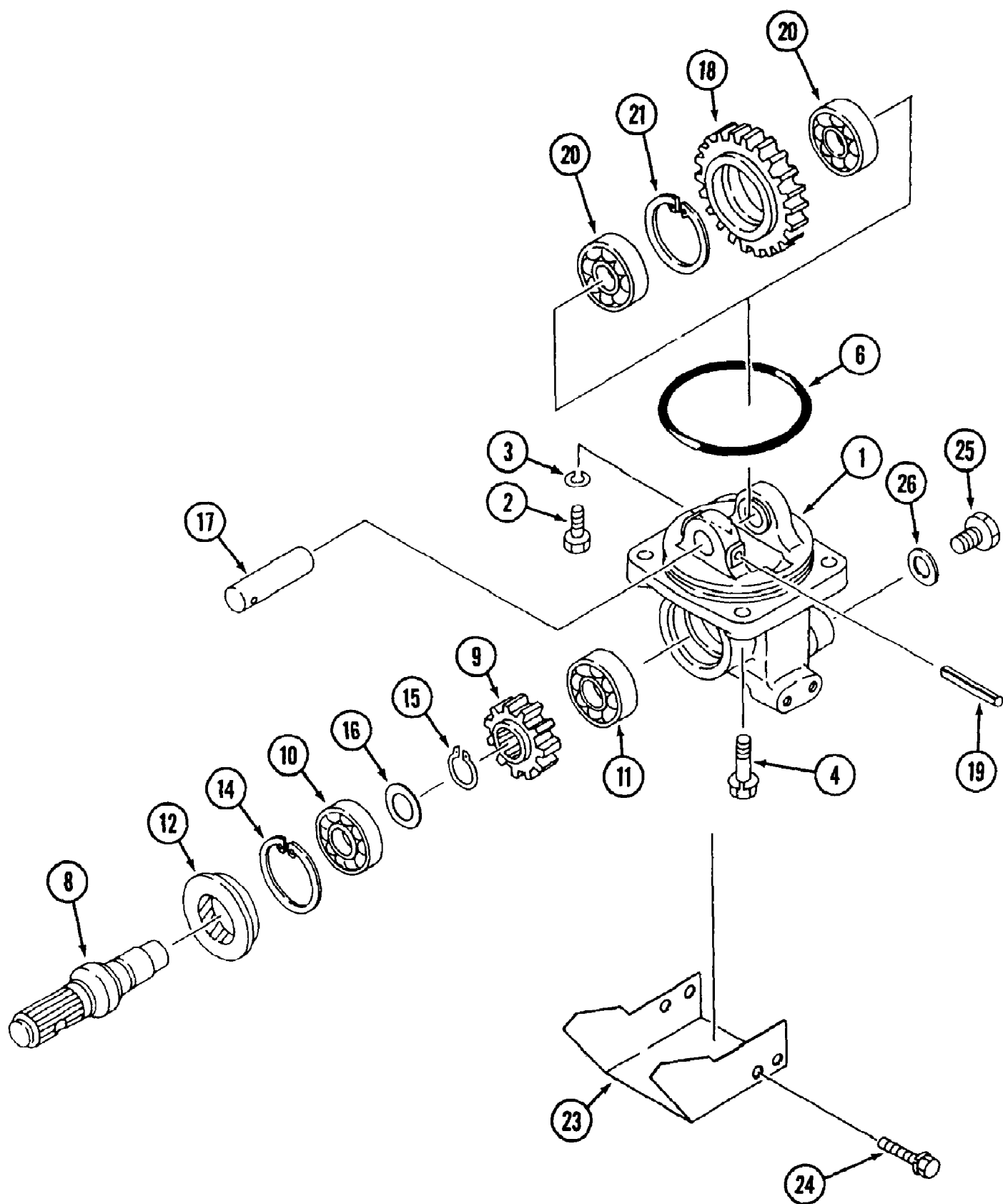
Ref #	Part Number	Qty	S/P/F	Description
	MA-10070552000	2		Joint Ass'y. include items #1, #2, and #3
1	MA-10070552100	4		Spline, York
2	MA-10070552200	2		Tournal Kit
3	MA-07410002000	8	/P	Ring, Snap
5	MA-19641911AG0	1		Shaft
6		0		Shaft Not used on this product
7	MA-05401006028	3		Pin, Dowel
8	MA-10070553001	3		Ring, Snap
9	MA-07500560044	1		Bearing
11	MA-19641913AG0	1		Cover
12		0		Cover Not used on this product
13	MA-19061916000	1		Cushion
14	MA-10070554AG1	1		Cover, Upper
15	MA-10070556AG1	1		Cover, Lower
16	MA-H1440106012	8		Bolt



7234 Tractor
MFD PTO - Gear Drive (Part 2)

Page 133 of 200

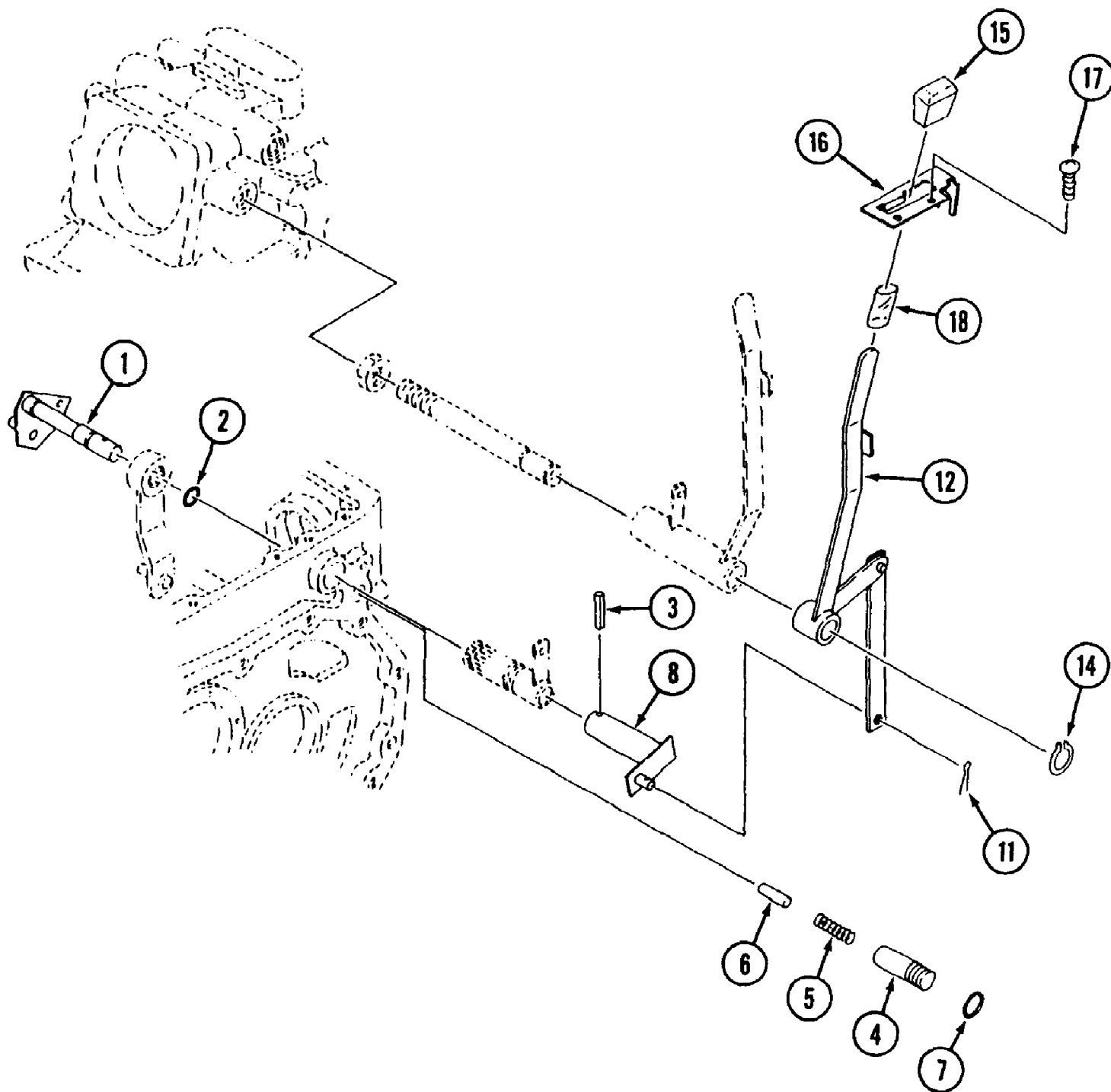
Ref #	Part Number	Qty	S/P/F	Description
1	MA-19641916AG0	1		Case, MFD
2	MA-69542-64700	2		Bolt
3	MA-A3600101002	2	/P	Washer
4	MA-F1550110030	6		Bolt
5	MA-19641918000	1		Shaft
6	MA-19641919000	1		Gear, 31T
7	MA-07500062040	1		Bearing
8	MA-07500063050	1		Bearing
9	MA-07400002500	2	/P	Ring
10	MA-08401020407	1		Seal, Oil
11	MA-10301916000	1		Spring
12	MA-08000000800	2		Ball
13	MA-19641921000	1		Shaft
14	MA-19641922000	1		Gear, 24T
15	MA-07310101010	2	F	Liner
16	MA-07500062060	1		Bearing
17	MA-07500062030	1		Bearing
20	MA-10251304000	1		Plate
21	MA-F1540108016	1		Bolt



7234 Tractor
Mid PTO

Page 135 of 200

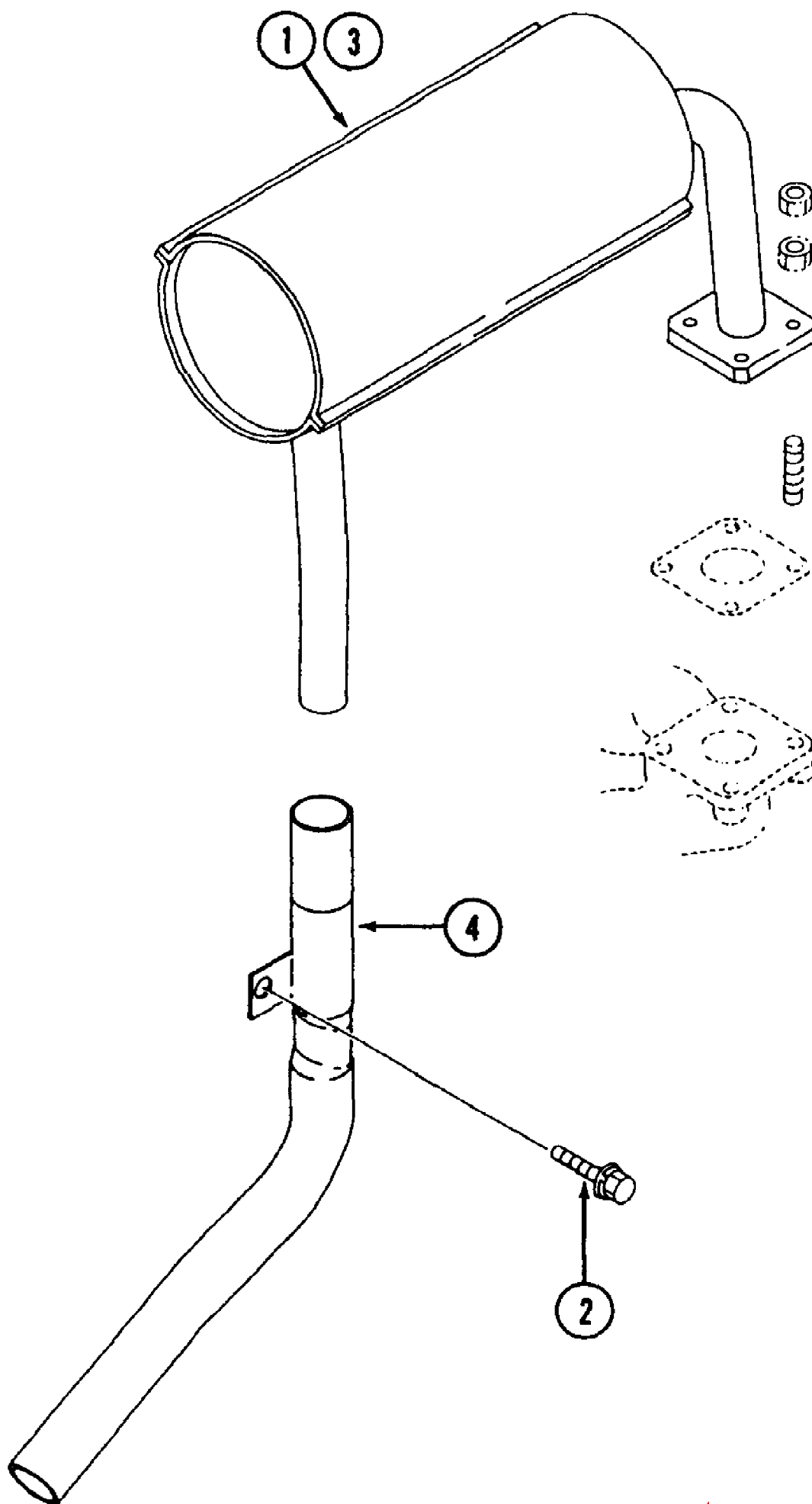
Ref #	Part Number	Qty	S/P/F	Description
1	MA-19641601AG0	1		Case, Mid PTO
2	MA-19803186000	1		Bolt
3	MA-A3600101202	1		Washer
4	MA-F1540112035	3		Bolt
6	MA-08300201100	1		O-Ring
8	MA-19631603000	1		Shaft
9	MA-19641604000	1		Gear, 23T
10	MA-07500062050	1		Bearing
11	MA-07500063040	1		Bearing
12	MA-08412355212	1		Seal, Oil
14	MA-07410005201	1	/P	Ring
15	MA-07400002500	1	/P	Ring
16	MA-13521608000	1		Liner
17	MA-19871852000	1		Shaft A
18	MA-19641606000	1		Gear, 38T
19	MA-05500005050	1		Pin, Spring
20	MA-07500063040	2		Bearing
21	MA-07410005201	1	/P	Ring
23	MA-19631607AG0	1		Cover
24	MA-H1540108016	4		Bolt
25	MA-F5000-16000	1		Plug
26	MA-08331001600	1		Seal, Washer



7234 Tractor
Mid PTO Control

Page 137 of 200

Ref #	Part Number	Qty	S/P/F	Description
1	MA-19631651000	1		Shifter, Mid
2	MA-08301100120	1	/P	O-Ring
3	MA-05500006032	1		Pin, Spring Replace with MA-10191734000
	MA-10191734000	1	F	Pin
4	MA-19631652000	1		Boss
5	MA-67428-01700	1		Spring
6	MA-11741737000	1		Pin
7	MA-08300100160	1	/P	O-Ring
8	MA-19641654AG0	1		Arm, Mid
11	MA-05200125016	1	S	Pin, Split
12	MA-19641657AG0	1		Lever, Mid PTO
	MA-19641656AG0	1		Lever, Mid Ass'y. Includes Ref. No.: 12-18
14	MA-07400102000	1		Ring
15	MA-19061731000	1		Grip
16	MA-19641658AG0	1		Plate, Mid PTO
17	MA-A2520706012	2		Screw
18	MA-19631658000	1		Tube

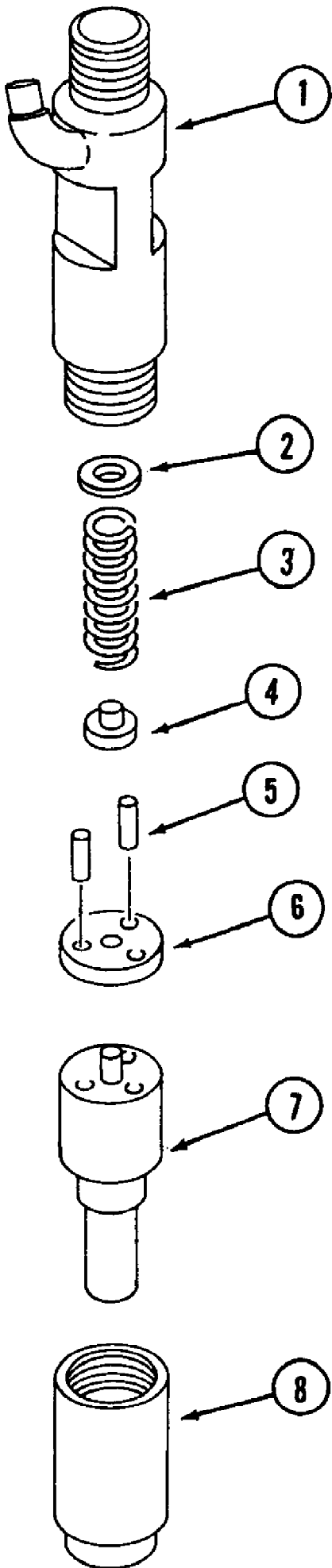


7234 Tractor
Muffler

Page 139 of 200

Ref #	Part Number	Qty	S/P/F	Description
1	MA-196403110K0	1		Muffler
2	MA-H1840108020	1		Bolt
3		0		Muffler Not used on this model
4	MA-196803160K0	1	/P	Pipe, Tail S/N 20501-Above. Replaces MA-196403160K0

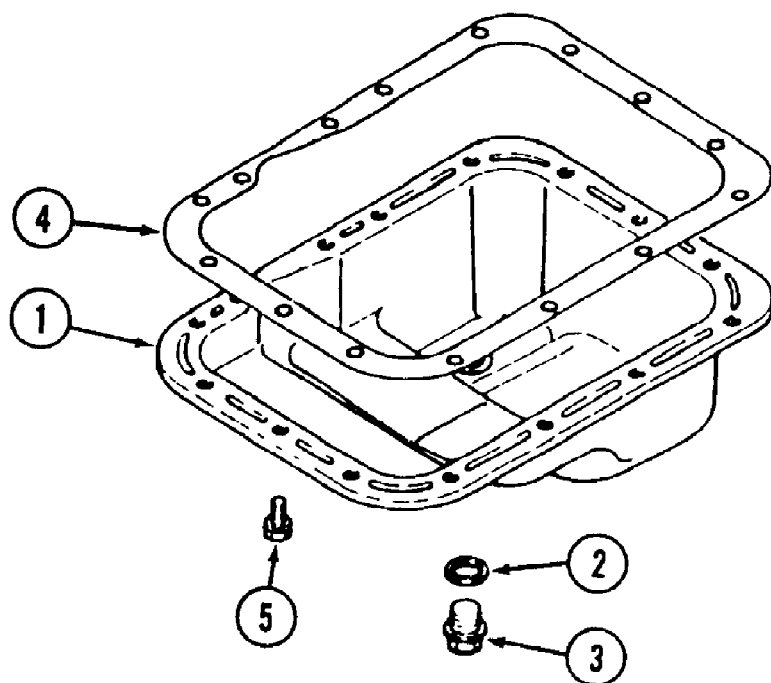
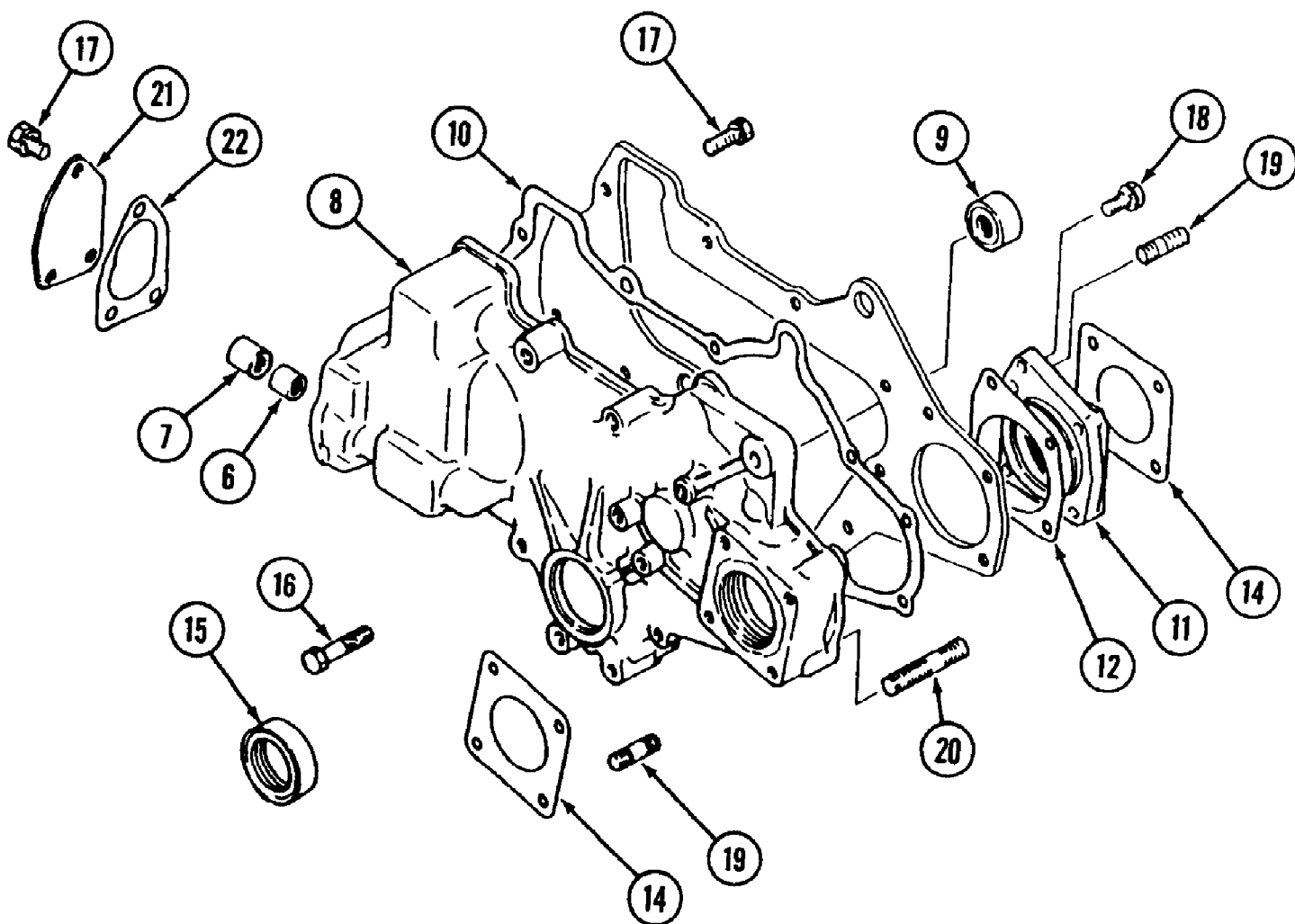
7234 Tractor
Nozzle And Nozzle Holder



7234 Tractor
Nozzle And Nozzle Holder

Page 141 of 200

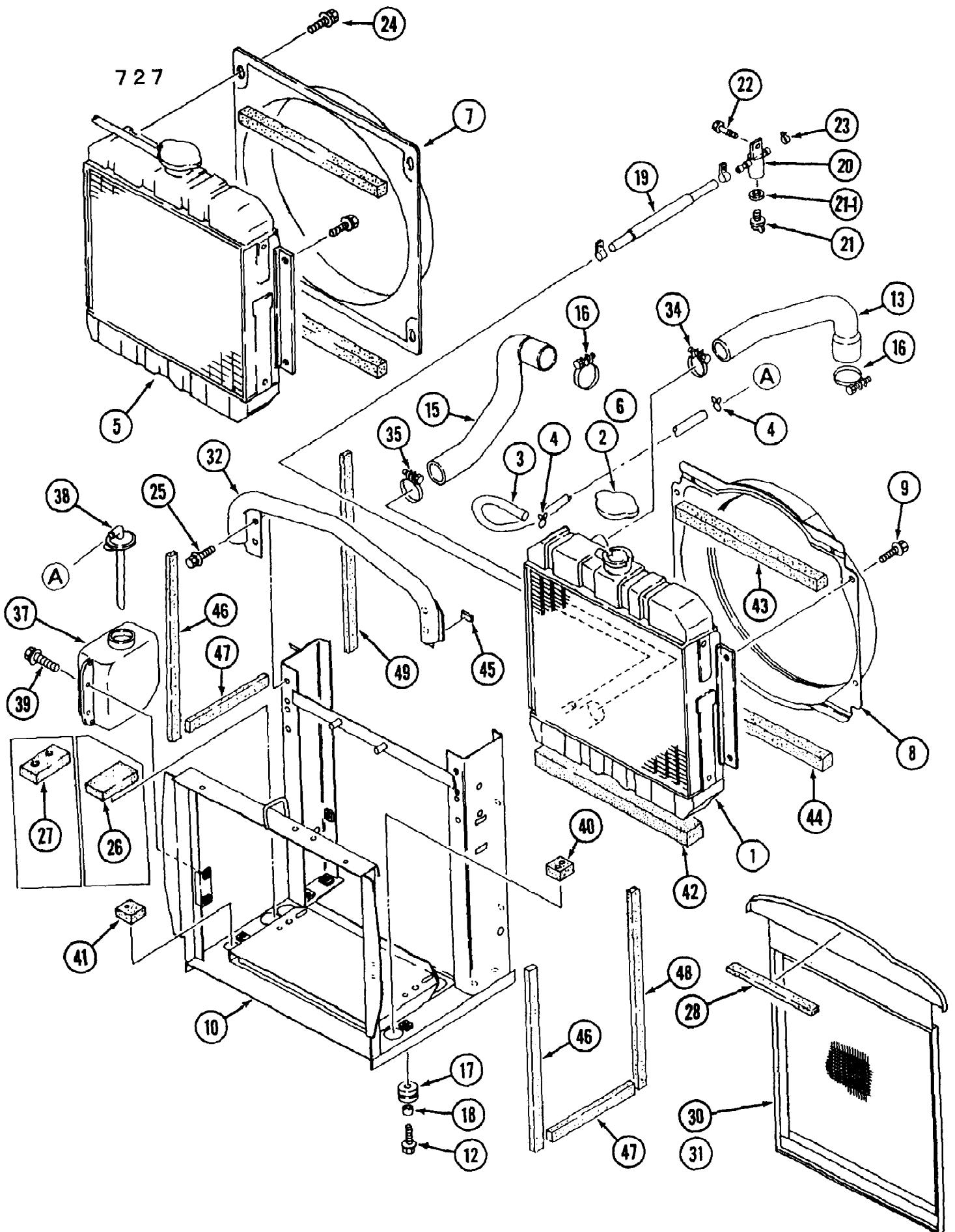
Ref #	Part Number	Qty	S/P/F	Description
1	MA-MM438767	3		Nozzle Ass'y.
1	MA-MM514342	3		Body Sub Ass'y.
2	MA-MM501773	AR	S	Washer, t=1.2
	MA-MM501774	AR	S	Washer, t=1.25
	MA-MM501775	AR	S	Washer, t=1.3
	MA-MM501776	AR	S	Washer, t=1.35
	MA-MM501777	AR	S	Washer, t=1.4
	MA-MM501778	AR	S	Washer, t=1.45
	MA-MM501779	AR	S	Washer, t=1.5
	MA-MM501780	AR	S	Washer, t=1.55
	MA-MM501781	AR	S	Washer, t=1.6
	MA-MM501782	AR	S	Washer, t=1.65
	MA-MM501783	AR	S	Washer, t=1.7
	MA-MM501784	AR	S	Washer, t=1.75
	MA-MM501785	AR		Washer, t=1.8
	MA-MM514345	AR		Washer, t=1.0
	MA-MM514346	AR	S	Washer, t=1.05
	MA-MM514347	AR	S	Washer, t=1.1
	MA-MM514348	AR	S	Washer, t=1.15
	MA-MM514349	AR	S	Washer, t=1.85
	MA-MM514350	AR	S	Washer, t=1.9
	MA-MM514351	AR	S	Washer, t=1.95
	MA-MM514352	AR	S	Washer, t=2.0
	MA-MM514353	AR	S	Washer, t=2.05
	MA-MM514354	AR	S	Washer, t=2.1
	MA-MM514355	AR		Washer, t=2.15
	MA-MM514356	AR	S	Washer, t=1.275
	MA-MM514357	AR	S	Washer, t=1.325
	MA-MM514358	AR	S	Washer, t=1.375
	MA-MM514359	AR	S	Washer, t=1.425
	MA-MM514360	AR	S	Washer, t=1.475
	MA-MM514361	AR	S	Washer, t=1.525
	MA-MM514362	AR	S	Washer, t=1.575
	MA-MM514363	AR	S	Washer, t=1.625
	MA-MM514364	AR	S	Washer, t=1.675
	MA-MM514365	AR	S	Washer, t=1.725
	MA-MM514366	AR	S	Washer, t=1.775
	MA-MM514367	AR		Washer, t=0.95
3	MA-MM514344	3	S	Spring, Pressure
4	MA-MM514343	3		Pin, Pressure
5	MA-MM501790	6	/P	Pin, Straight
6	MA-MM514368	3	S	Packing, Tip
7	MA-MM438952	3	S	Nozzle Ass'y.
8	MA-MM501788	3	S	Nut



7234 Tractor
Oil Pan And Gear Case

Page 143 of 200

Ref #	Part Number	Qty	S/P/F	Description
1	MA-MM412629	1		Pan Ass'y., Oil
2	MA-MD000312	1		Gasket, Drain Plug
3	MA-MD000318	1		Plug, Oil Drain
4	MA-30A13-00100	1	S	Gasket, Oil Pan
5	MA-MF240051	15		Bolt, w/Washer
6	MA-MM406420	1		Bearing, Needle
7	MA-MM406421	1		Bearing, Needle
8	MA-30A11-00701	1		Case, Gear
9	MA-MM409718	1		Plug, Thrust
10	MA-30A11-00400	1	S	Gasket, Gear Case
11	MA-30A11-00600	1		Housing, Pump Gear
12	MA-30A11-00200	1		Gasket, Housing
14	MA-30A11-00100	2	/P	Gasket, Oil Pump
15	MA-MD008762	1		Seal, Oil
16	MA-MF100064	8		Bolt
17	MA-MF240051	5		Bolt, w/Washer
18	MA-MF241257	1		Bolt, w/Washer
19	MA-MS401426	3		Stud 7T
20	MA-MS401434	3		Stud
21	MA-MM408233	1		Cover, Governor
22	MA-30A11-00300	1	/P	Gasket, Governor Cover



7234 Tractor
Radiator (Gear Drive)

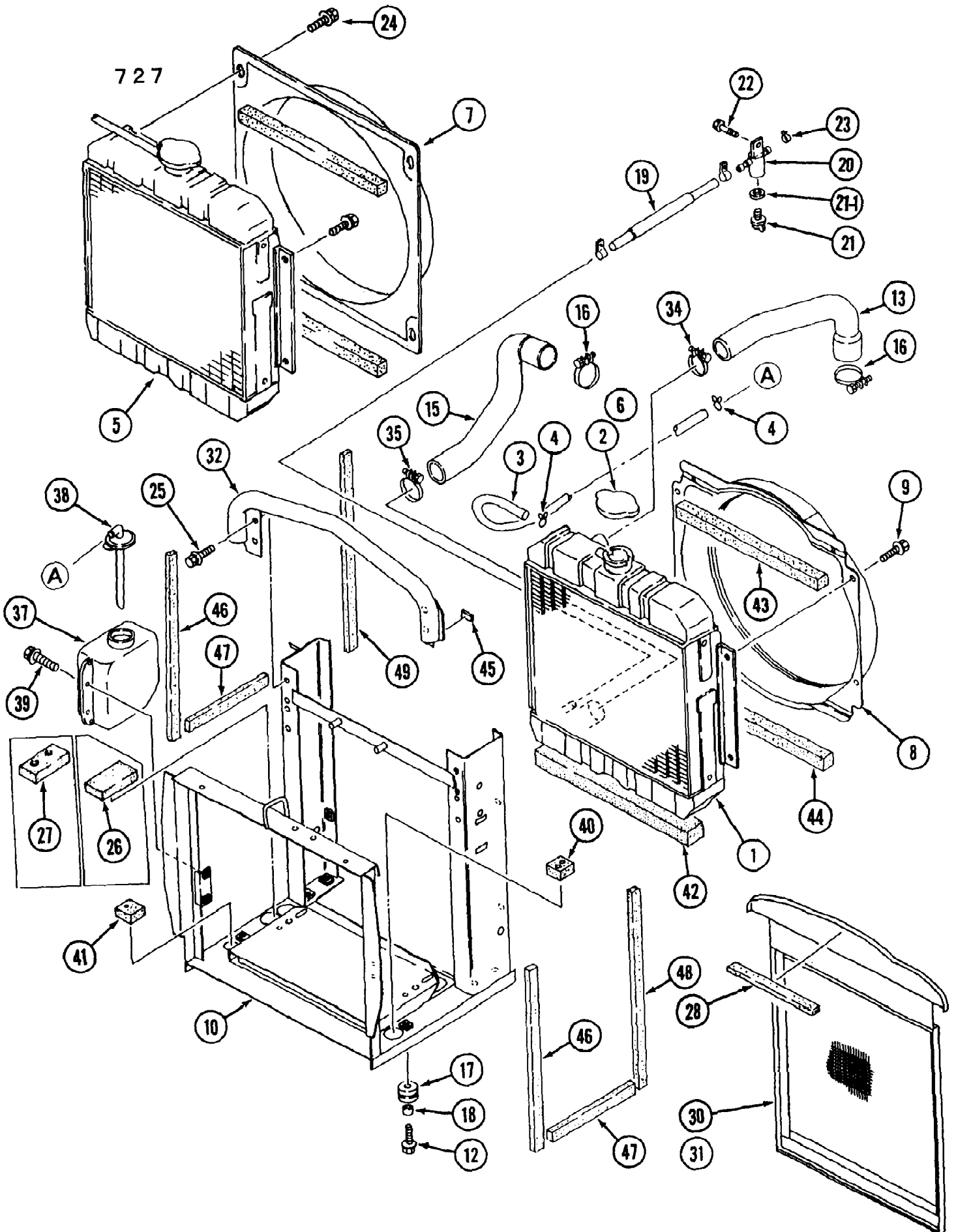
Page 145 of 200

Ref #	Part Number	Qty	S/P/F	Description
	MA-19640411000	1	/P	Radiator Includes Items No. 1 through 4
1	MA-19640411100	1	S	Body, Radiator
2	MA-68201-01813	1		Cap
3	MA-19640411200	1		Hose
4	MA-68201-01814	2		Clip
		0		Radiator Not used on this product. Includes items 3 through 7, 24
5		0		Body, Radiator Not used on this product
6		0		Cap Not used on this product
7		0		Shroud, Fan Not used on this product
8	MA-19640413AG0	1		Shroud, Fan
9	MA-H1840108020	4		Bolt
10	MA-19640414AG0	1		Bracket, Radiator S/N 20630-Below
	MA-19640414AG1	1	F	Bracket, Radiator S/N 20631-Above
?11	MA-19812821000	1		Mark, Blind S/N 20631-Above
12	MA-H1540108030	6	/P	Bolt
13	MA-19640421000	1		Hose, Upper
15	MA-19640423000	1		Hose, Lower
16	MA-69501-07045	2		Clip, Hose
17	MA-11930439000	6		Grommet
18	MA-67700-26000	6		Collar
19	MA-19630422000	1	S	Hose, Drain
	MA-19630422001	1	S	Hose, Drain Replaces MA-19630422000 when inventory is depleted
20	MA-11740415000	1		Joint, Water
21	MA-67401A00113	1	/P	Water Cock Ass'y.
21-1	MA-67401-00114	1		Gasket
22	MA-H1540108020	1		Bolt
23	MA-00504112005	1		Clamp Hose Replaces MA-67303-02313
24		0		Bolt Not used on this product
25	MA-H1540108016	4		Bolt
26	MA-19640426000	1		Cushion
27		0		Cushion Not used on this product
28	MA-10303531000	1		Rubber B
30	MA-19640418AG0	1		Net, Radiator
31		0		Net, Radiator Not used on this product
32	MA-19630415AG0	1		Frame, Front
34	MA-00501100380	1		Clamp, Hose
35	MA-00501100430	1		Clamp, Hose
	MA-19080445000	1		Sub Tank Ass'y. Includes items 37 & 38
37	MA-19080445100	1		Tank, Sub.
38	MA-19080445200	1		Cap Ass'y.
39	MA-H1440106016	2	/P	Bolt
40	MA-19630424000	1		Cushion
41	MA-19630425000	1		Cushion
42	MA-11912638000	1		Cushion
43	MA-35187645500	1		Seal
44	MA-35080771000	1		Rubber
45	MA-14210541000	1		Rubber
46	MA-19640431000	2		Cushion
47	MA-19640432000	2		Cushion
48	MA-19640433000	1		Cushion

7234 Tractor
Radiator (Gear Drive)

Page 146 of 200

Ref #	Part Number	Qty	S/P/F	Description
49	MA-19630431000	1		Cushion



7234 Tractor
Radiator (HST)

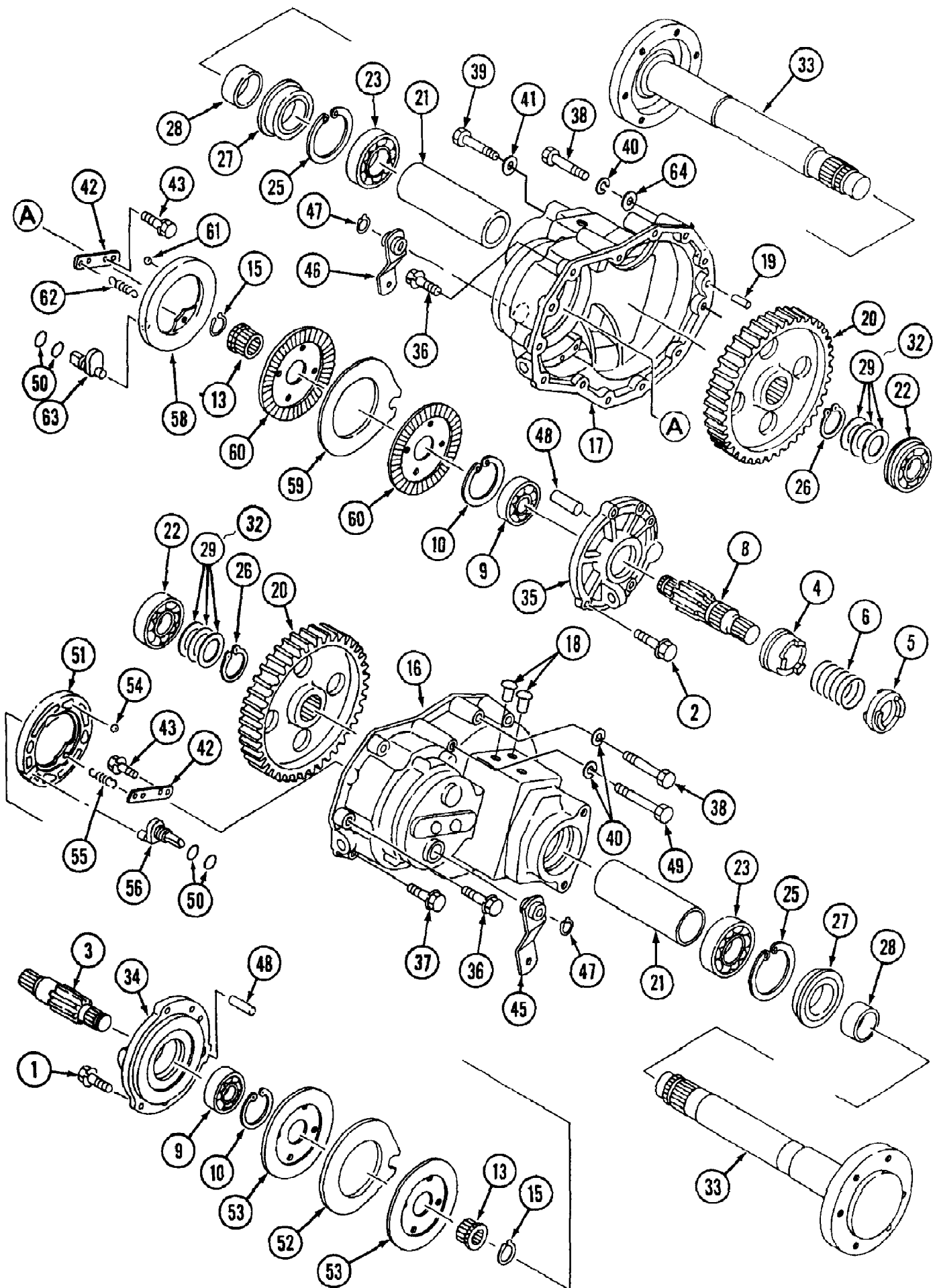
Page 148 of 200

Ref #	Part Number	Qty	S/P/F	Description
	MA-19640411000	1	/P	Radiator Includes Items No. 1 through 4
1	MA-19640411100	1	S	Body, Radiator
2	MA-68201-01813	1		Cap
3	MA-19640411200	1		Hose
4	MA-68201-01814	2		Clip
		0		Radiator Not used on this model. Includes items 3 through 7, 24
5		0		Body, Radiator Not used on this model
6		0		Cap Not used on this model
7		0		Shroud, Fan Not used on this model
8	MA-19640413AG0	1		Shroud, Fan
9	MA-H1840108020	4		Bolt
10	MA-19640414AG0	1		Bracket, Radiator S/N 20630-Below
	MA-19640414AG1	1	F	Bracket, Radiator S/N 20631-Above
?11	MA-19812821000	1		Mark, Blind S/N 20631-Above
12	MA-H1540108030	6	/P	Bolt
13	MA-19640421000	1		Hose, Upper
15	MA-19640423000	1		Hose, Lower
16	MA-69501-07045	2		Clip, Hose
17	MA-11930439000	6		Grommet
18	MA-67700-26000	6		Collar
19	MA-19630422000	1	S	Hose, Drain
	MA-19630422001	1	S	Hose, Drain Replaces MA-19630422000 when inventory is depleted
20	MA-11740415000	1		Joint, Water
21	MA-67401A00113	1	/P	Water Cock Ass'y.
21-1	MA-67401-00114	1		Gasket
22	MA-H1540108020	1		Bolt
23	MA-00504112005	1		Clamp Hose Replaces MA-67303-02313
24		0		Bolt Not used on this model
25	MA-H1540108016	4		Bolt
26		0		Cushion Not used on this model
27	MA-19640427000	1		Cushion
28	MA-10303531000	1		Rubber B
30	MA-19640418AG0	1		Net, Radiator
31		0		Net, Radiator Not used on this model
32	MA-19630415AG0	1		Frame, Front
34	MA-00501100380	1		Clamp, Hose
35	MA-00501100430	1		Clamp, Hose
	MA-19080445000	1		Sub Tank Ass'y. Includes items 37 & 38
37	MA-19080445100	1		Tank, Sub.
38	MA-19080445200	1		Cap Ass'y.
39	MA-H1440106016	2	/P	Bolt
40	MA-19630424000	1		Cushion
41	MA-19630425000	1		Cushion
42	MA-11912638000	1		Cushion
43	MA-35187645500	1		Seal
44	MA-35080771000	1		Rubber
45	MA-14210541000	1		Rubber
46	MA-19640431000	2		Cushion
47	MA-19640432000	2		Cushion
48	MA-19640433000	1		Cushion

7234 Tractor
Radiator (HST)

Page 149 of 200

Ref #	Part Number	Qty	S/P/F	Description
49	MA-19630431000	1		Cushion



7234 Tractor
Rear Axle

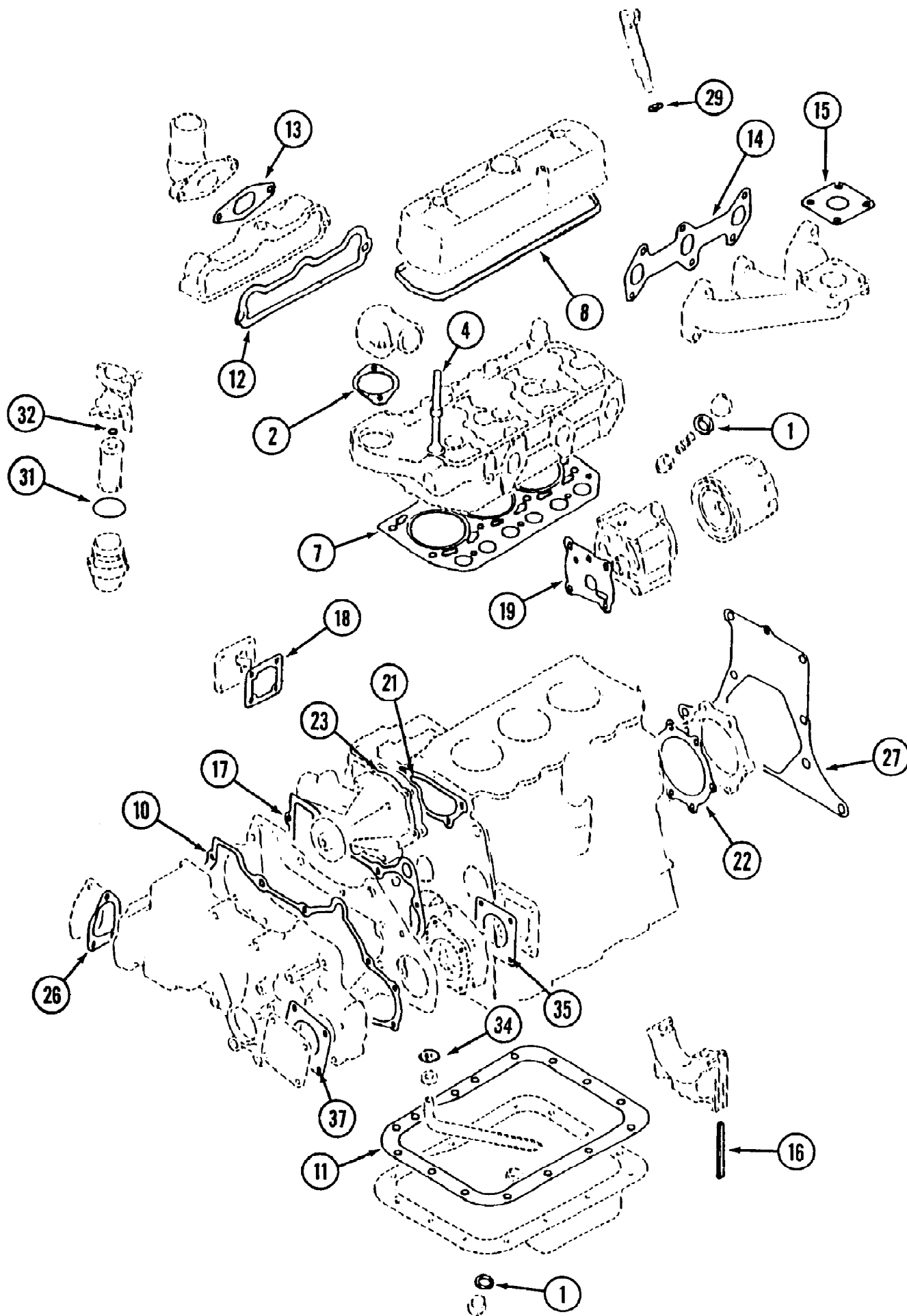
Page 151 of 200

Ref #	Part Number	Qty	S/P/F	Description
1	MA-F1550110030	1		Bolt
2		2		UNKNOWN
3	MA-19641511000	1		Shaft L.H.
4	MA-19061519000	1		Sleeve
5	MA-19061521000	1		Spacer
6	MA-19061523000	1		Spring
8	MA-19641512000	1		Shaft R. H.
9	MA-07520663060	2		Bearing
10	MA-07410007201	2		Ring
13	MA-19641519000	2		Hub, Brake
15	MA-07400003000	2	/P	Ring
16	MA-19641513AG0	1	S	Case L. H.
17	MA-19641514AG0	1	S	Case R. H.
18	MA-05534-14000	4		Plug
19	MA-05401010020	4		Pin, Dowel
20	MA-19641517000	2		Gear, 68T
21	MA-19641518000	2		Collar
22	MA-07500063085	2		Bearing
23	MA-07500062100	2		Bearing
25	MA-07410009001	2		Ring
26	MA-07400004801	2	/P	Ring
27	MA-08412579013	2		Seal, Oil
28	MA-10211525000	2		SI-Sleeve
29	MA-19071547000	1		Shim Set Includes Ref. No.: 30, 31, 32
30	MA-07300005202	AR		Liner
31	MA-07300005204	AR		Liner
32	MA-07300005206	AR		Liner
33	MA-19641516AG0	2		Shaft, Axle
34	MA-19641524000	1		Holder L.H.
35	MA-19641525000	1		Holder R.H.
36	MA-F1540112040	4		Bolt
37	MA-F1540112050	2		Bolt
38	MA-A0540112080	8		Bolt
39	MA-A9440112090	6		Bolt
40	MA-A3600101202	12		Washer
41	MA-03550161226	6		Washer
42	MA-19641527000	2		Hook
43	MA-F1540108020	4		Bolt
45	MA-19641528000	1		Lever, Brake L.H.
46	MA-19641529000	1		Lever, Brake R.H.
47	MA-07400002000	2		Ring
48	MA-19641526000	2		Pin
49	MA-A0540112100	4		Bolt
50	MA-08300100160	4	/P	O-Ring
	MA-19641521000	1		Brake Ass'y. L. H. Includes Ref. No.: 51-56, 45
51	MA-10321501100	1		Plate, Cam
52	MA-10301538000	1		Plate, Mating
53	MA-10301537000	2		Disk
54	MA-10321501400	4		Ball, Steel
55	MA-10321501500	2		Spring Return
56	MA-35151468000	1		Cam, Brake
	MA-19641523000	1		Brake Ass'y. R.H. Includes Ref. No. 58-63, 46
58	MA-10321502100	1		Plate, Cam

7234 Tractor
Rear Axle

Page 152 of 200

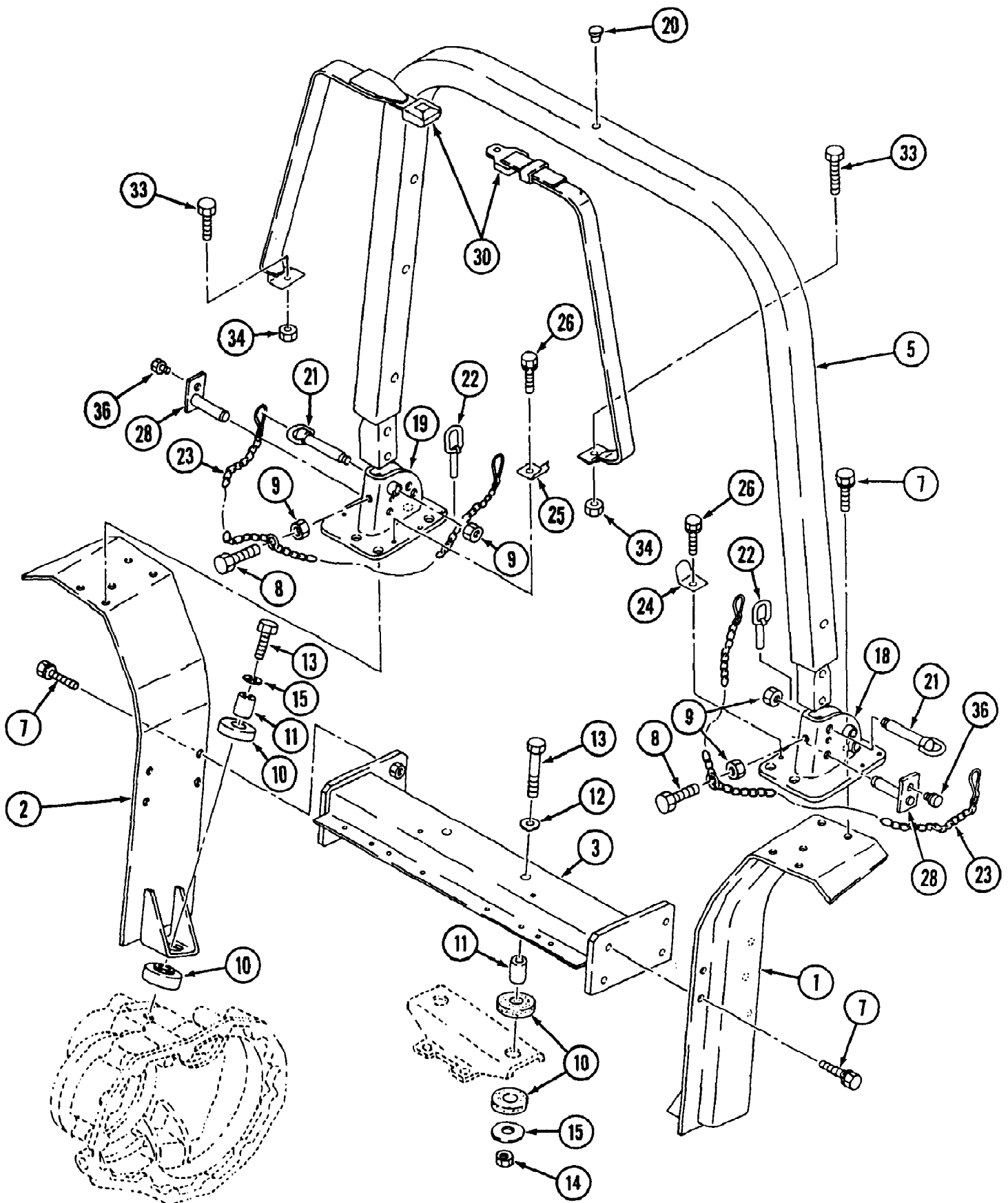
Ref #	Part Number	Qty	S/P/F	Description
59	MA-10301538000	1		Plate, Mating
60	MA-10301537000	2		Disk
61	MA-10321501400	4		Ball, Steel
62	MA-10321501500	2		Spring Return
63	MA-35151468000	1		Cam, Brake
64	MA-03500151226	4		Washer



7234 Tractor
Repair Gasket Kit

Page 154 of 200

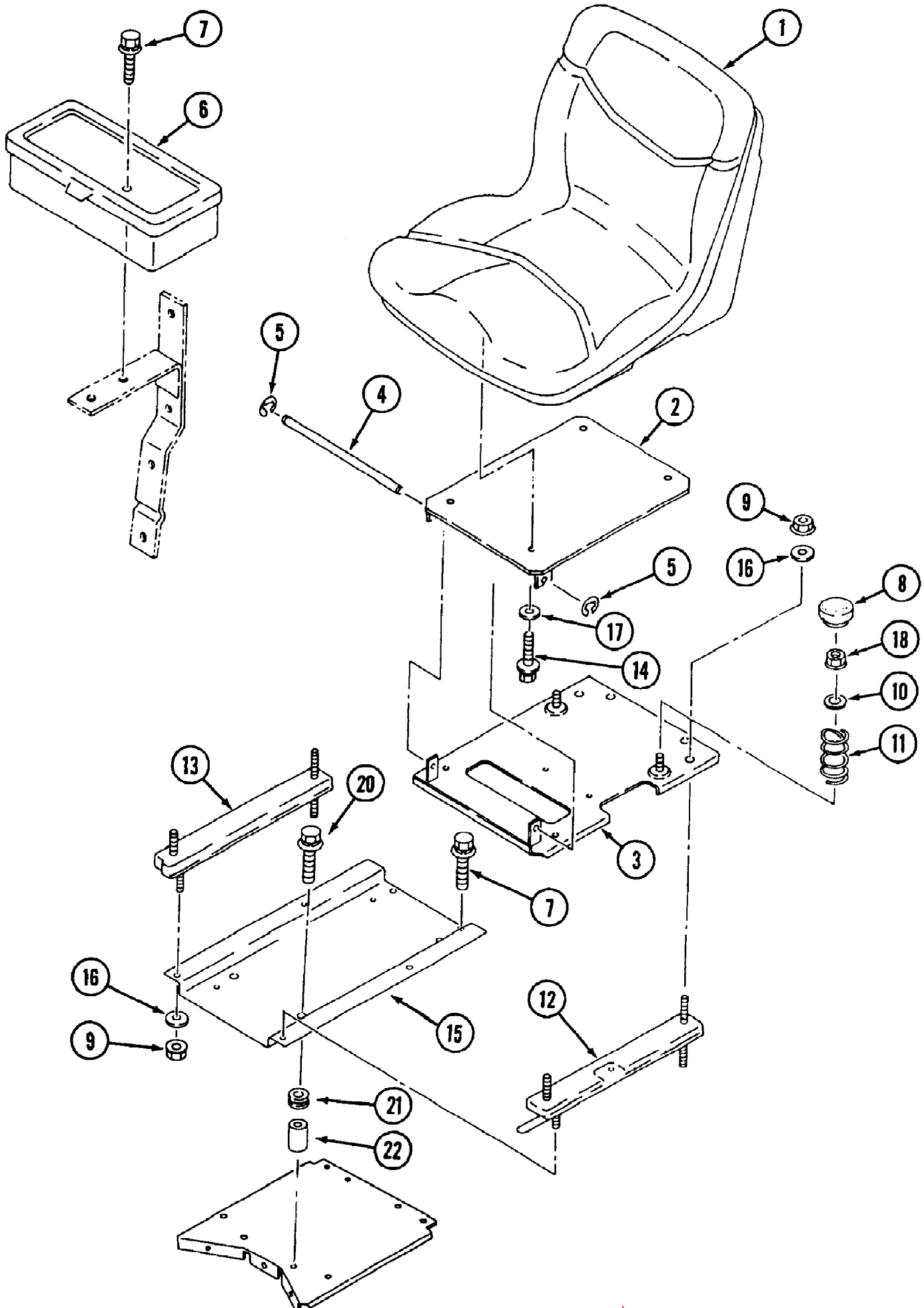
Ref #	Part Number	Qty	S/P/F	Description
1	MA-MD000312	2		Gasket, Drain-Plug
2	MA-MD000551	2	S	Gasket
4	MA-MD115472	6		Seal, Valve
7	MA-30A01-02800	1	S	Gasket, Cylinder
8	MA-MM408501	1		Gasket, Rocker Cover
10	MA-30A11-00400	1	S	Gasket, Gear Case
11	MA-30A13-00100	1	S	Gasket, Oil Pan
12	MA-MM408551	1	S	Gasket, Intake Manifold
13	MA-MM408566	1		Gasket, Inlet Pipe
14	MA-30A30-00300	1		Gasket, Exhaust Manifold
15	MA-30A30-00100	1		Gasket
16	MA-MM406228	4		Seal, Side
17	MA-30A07-00200	1	S	Gasket, Front Plate
18	MA-30A63-00100	1	/P	Gasket, Cover
19	MA-30H35-00100	1		Gasket, Oil Pump
21	MA-30H45-00100	1	S	Gasket, Water
22	MA-30A07-00101	1	/P	Gasket, Oil Seal replaces MA-30A07-00100
23	MA-MM409326	1		Gasket, Water Pump
26	MA-30A11-00300	1	/P	Gasket Governor Cover
27	MA-30A12-00300	1	S	Gasket Rear Plate
29	MA-MM432045	3		Gasket, Nozzle Holder
31	MA-MM404878	1		O-Ring, Filter Cup
32	MA-MM404881	1	S	O-Ring, Element
34	MA-MF660036	1		Washer, Seal
35	MA-30A11-00100	2	/P	Gasket, Oil Pump Cover
37	MA-30A11-00200	1		Gasket, Housing
	MA-30A97-10088	1		Gasket, Kit
	MA-30A97-10078	1	S	Gasket Kit



7234 Tractor
ROPS

Page 156 of 200

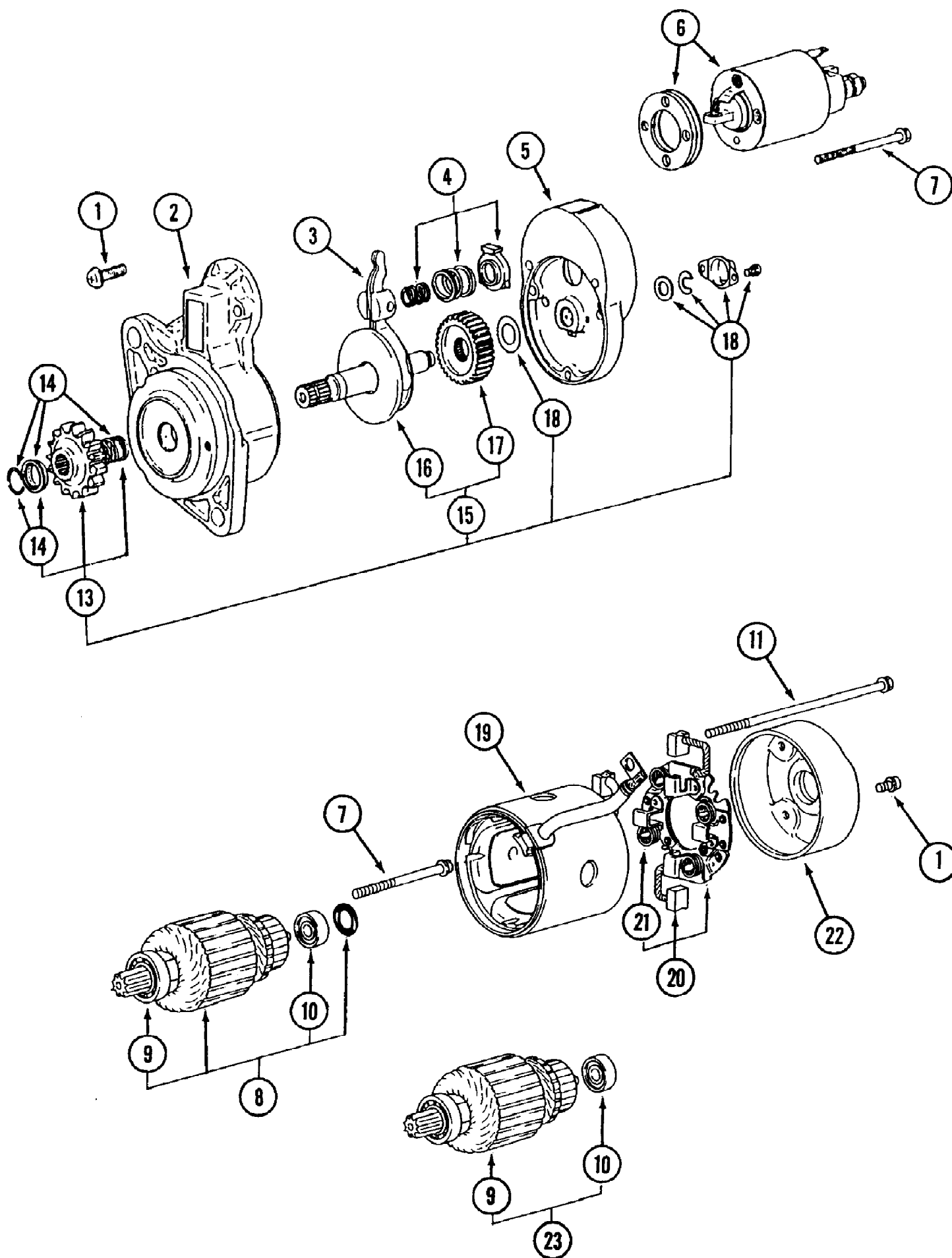
Ref #	Part Number	Qty	S/P/F	Description
1	MA-19643901BD0	1		Frame, L.H.
2	MA-19643902BD0	1		Frame, R.H.
3	MA-19643905BD0	1		Support
5	MA-19643909AG0	1		Roll Bar
7	MA-9450112035	16		Bolt
8	MA-A0520112040	2		Bolt
9	MA-A3030112002	4		Nut
10	MA-19633914000	8		Rubber, Cushion
11	MA-19633915000	4		Collar
12	MA-03550161630	2		Washer
13	MA-A9450116060	4		Bolt
14	MA-A0830116001	2		Nut
15	MA-03500171652	4		Washer
18	MA-19633903AG0	1		Bracket, L.H.
19	MA-19633904AG0	1		Bracket, R.H.
20	MA-11763534001	1		Plug, Mat
21	MA-19043904000	2		Pin
22	MA-19043905000	2		Pin, Linch
23	MA-19633912000	2		Chain
24	MA-19633926000	1		Hook, Seat Belt L.H.
25	MA-1963392700	1		Hook, Seat Belt R.H.
26	MA-F1540108012	2		Bolt
28	MA-19043903000	2		Pin, Hinge
30	MA-19633919100	1	S	Seat Belt Ass'y., Includes Ref. 33 & 34
33	MA-19633919400	2		Bolt
34	MA-19633919500	2		Nut
36	MA-19043907000	2		1 Bolt



7234 Tractor
Seat And Tool Box

Page 158 of 200

Ref #	Part Number	Qty	S/P/F	Description
1	757-3005	1		Seat, Ass'y.
2	MA-19633404AG1	1		Bracket
3	MA-19633409AG1	1		Bracket, Seat
4	MA-19633411000	1		Pin
5	MA-07420100800	2		Ring
6	MA-69509-16000	1		Box, Tool
7	MA-H1540108020	4		Bolt
8	MA-19633417000	2		Rubber
9	712-3097	8	S	Nut, 8 mm
10	MA-03500160826	2		Washer
11	MA-19633415000	2	S	Spring
12	703-2641	1		Adjuster, Slide
13	703-2640	1		Rail, Slide
14	710-3008	2	/P	Bolt
15	MA-19643408AG0	1		Support
16	736-0119	8	S	Washer, Lock
17	736-0119	2	S	Washer, Lock
	736-0275	1	S	Flat Washer
18	MA-F3010108001	2		Nut
20	MA-H1540108025	2		Bolt
21	MA-11930439000	2		Grommet
22	MA-67700-26000	2		Collar



7234 Tractor
Starter

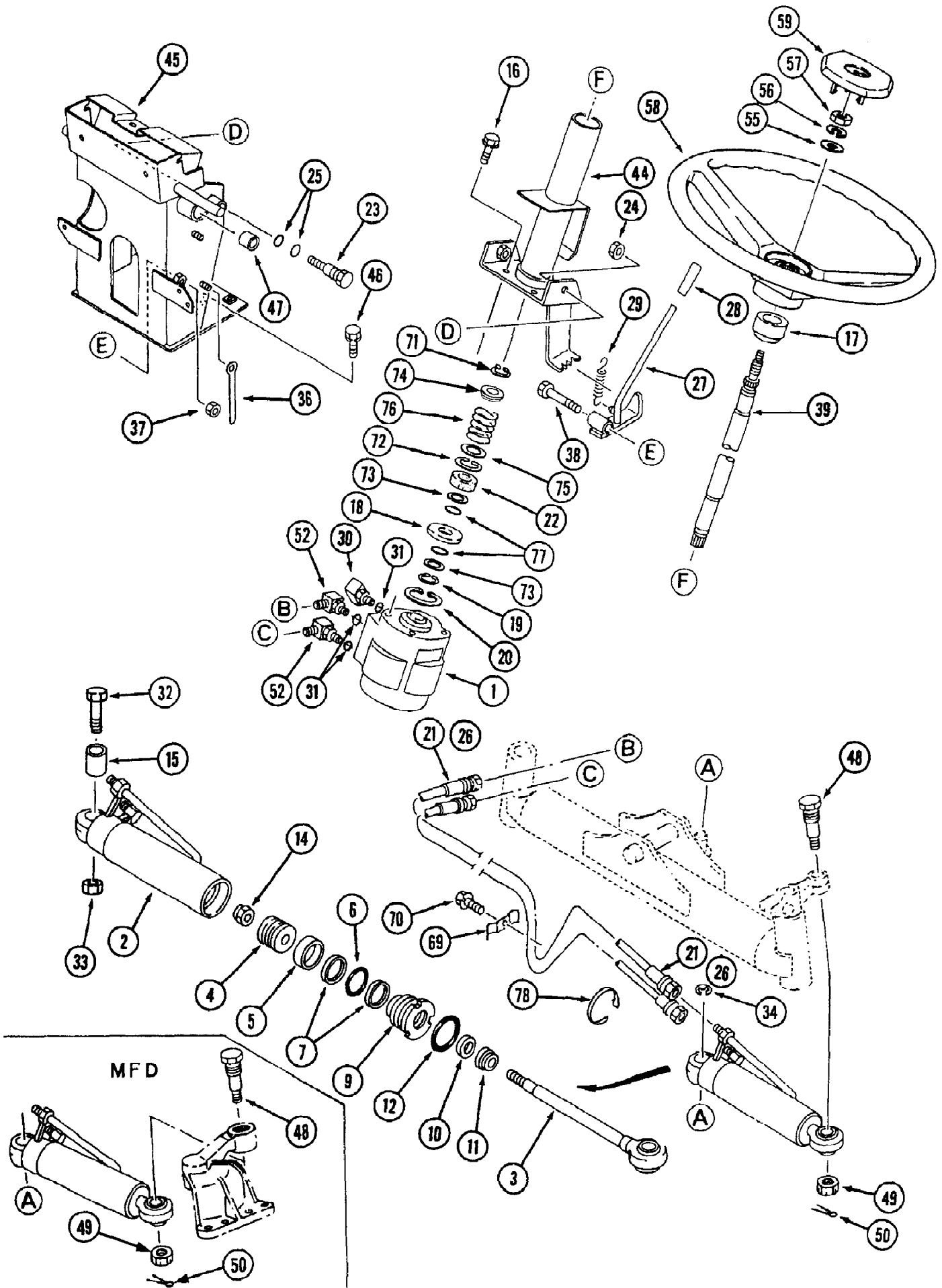
Page 160 of 200

Ref #	Part Number	Qty	S/P/F	Description
	MA-MM409410	1	S	Starter Ass'y. Includes items 1-22
1	MA-MD607432	1		Screw Set
2	MA-MM502398	1		Front Bracket Ass'y.
3	MA-MM502329	1		Lever Ass'y.
4	MA-MD602963	1		Spring Set
5	MA-MM502331	1		Center Bracket Ass'y.
6	MA-M371X80171	1	/P	Switch Ass'y.
7	MA-MM502332	1		Bolt
8	MA-MD618449	1		Armature Set
9	MA-MM502334	1		Bearing
10	MA-MM502335	1	S	Bearing
11	MA-MM502347	2		Bolt
?12	MA-MM502395	1		Clutch Set Shaft Ass'y.
13	MA-MM502396	1		Pinion Set
14	MA-MD607416	1		Stopper Set
15	MA-MD607539	1		Gear Set
16	MA-MD607540	1		Pinion Shaft Ass'y.
17	MA-MM502341	1		Gear
18	MA-MM502342	1		Cover Set
19	MA-MM502397	1		Yoke Ass'y.
20	MA-MD607420	1		Brush Holder Ass'y. Includes item 21
21	MA-MD602210	4		Spring, Brush
22	MA-MM502346	1		Bracket, Rear
23	MA-MM409895	1		Service Kit, Starter Bearing

7234 Tractor
Steering

Page 162 of 200

Ref #	Part Number	Qty	S/P/F	Description
	MA-10302268001	1	S	Steering Unit Includes Items #1-30. Replaced by MA-10302268002
	MA-10302268002	1	/P	Steering Unit Includes Items #1-29, 31. Replaces MA-10302268001
1	MA-10302268520	1		Seal, Dust Included in Seal Kit MA-10312231201
2	MA-11932347150	1		Ring, Retaining
3	MA-11932347160	1		Bushing
4	MA-10302268500	1		O-Ring Included in Seal Kit MA-10312231201
5	MA-10302268510	1		Seal, Oil Included in Seal Kit MA-10312231201
7	MA-10302268700	1	/P	Bearing, Needle
8	MA-10302268700	1	/P	Bearing, Needle
10	MA-10302268120	1		Ball
11	MA-10302268110	1		Retainer, Screw Ass'y.
12	MA-10302268320	2		Spring, Flat
19	MA-11932347130	4		Spring, Centering
20	MA-10302268310	1		Pin
21	MA-10302268330	3		O-Ring Included in Seal Kit MA-10312231201
22	MA-10302268210	1		Plate, Spacer
23	MA-10302268301	1		Drive
24	MA-10302268201	1		Geroter
26	MA-11932347120	1		Cap
27	MA-10302268100	6		Screw
28	MA-10302268530	1		Plug
29	MA-10302268540	1		O-Ring Included in Seal Kit MA-10312231201
30	MA-10302268330	1		O-Ring Used with MA-10302268001 Steering Unit
31	MA-10302268350	1		O-Ring Used with MA-10302268002 Steering Unit
	MA-10312231201	1		Kit, Seal Includes Ref. Nos. 1, 4, 5, 21 (Qty. 3) and 29. Used with MA-10302268001 Steering Unit
	MA-10302268600	1		Kit, Seal Includes Ref. Nos. 1, 4, 5, 21 (Qty. 3) and 29 & 31. Used with MA-10302268002 Steering Unit



7234 Tractor
Steering - 2WD

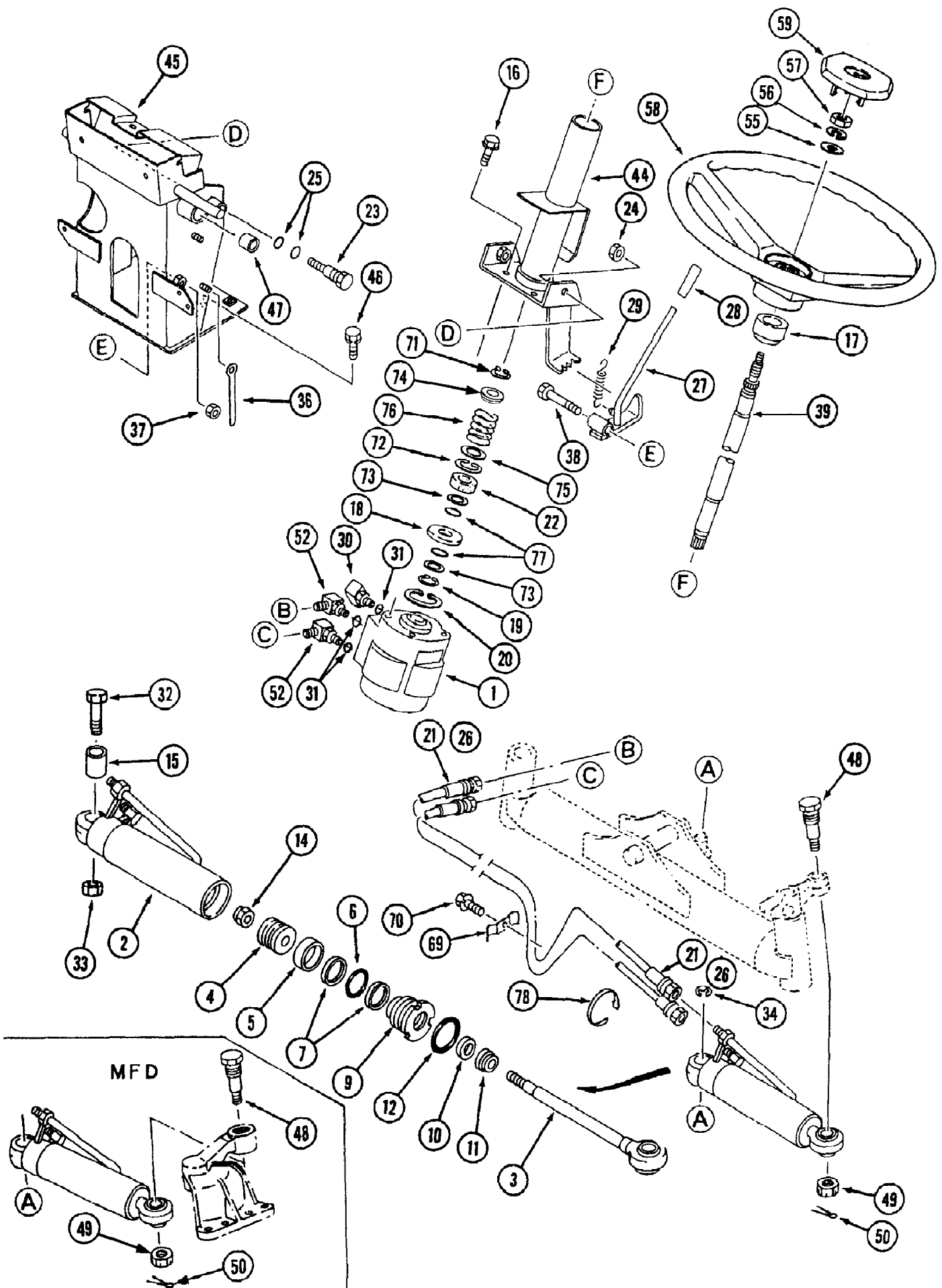
Page 164 of 200

Ref #	Part Number	Qty	S/P/F	Description
1	MA-10302268002	1	/P	Steering Unit
	MA-19642205AG0	1		Cylinder, Ass'y. Includes Items #2-15.
2	MA-19642206AG0	1		Tube, Ass'y.
3	MA-19642207AG0	1		Rod, Cylinder
4	MA-19632208000	1		Piston
	MA-19632209000	1		Kit, Seal A Includes Items #5-7.
5	MA-19632209100	1		Wear Ring
6	MA-08301100340	1		O-Ring
7	MA-08320100340	2		Ring
9	MA-19632211000	1		Case
	MA-19632212000	1		Kit, Seal B Includes Items #10 & 11.
10	MA-19632212100	1		Seal, Rod
11	MA-19632212200	1		Seal, Dust
12	MA-08301100400	1		O-Ring
14	MA-A3530112000	1		Nut
15	MA-07963024250	1		Bushing
16	MA-F1550110020	4		Bolt
17	MA-11742201170	1		Bushing, Column
18	MA-27931515000	1		Washer
19	MA-07410004001	1		Ring
20	MA-07400002000	1		Ring
21		1		Hose Not used on this product
22	MA-08401022358	1		Oil Seal
23	MA-19632257000	2		Bolt
24	MA-A3030112002	2		Nut
25	MA-08301100160	4		O-Ring
26	MA-19642213000	2		Hose
27	MA-19632255AG0	1		Lever
28	MA-14212284000	1		Grip
29	MA-27932754001	1		Spring
30	MA-19632259000	1		Valve, Check
31	MA-08301100140	3		O-Ring
32		0		Bolt Not used on this product
33		0		Nut Not used on this product
34	MA-07420101900	1		Ring
36	MA-00502108063	1		Clamp
37	MA-A3030112002	1		Nut
38	MA-A0520112060	1		Bolt
39	MA-19682235000	1		Shaft, Steering
44	MA-19642252AG0	1		Column
45	MA-19642265AG0	1		Bracket, Column
46	MA-F1550110025	4		Bolt
47	MA-07961025200	2		Bushing
48	MA-19632267000	1		Bolt
49	MA-A3130101601	1		Nut
50	MA-05200140032	1		Pin, Split
52	MA-19632261000	2	F	Elbow w/O-Ring Includes Item #31.
	MA-06313117130	2	F	Elbow w/O-Ring
55	MA-03500151430	1		Washer
56	MA-A3600101402	1		Washer
57	MA-A3030114002	1		Nut
	MA-10302216000	1		Steering Ass'y. Includes Items #58 & #59.
58	MA-10302217000	1		Steering Wheel

7234 Tractor
Steering - 2WD

Page 165 of 200

Ref #	Part Number	Qty	S/P/F	Description
59	MA-10302218000	1		Center Pad
69	MA-19632223000	1		Clamp
70	MA-F1540108020	1		Bolt
71	MA-07400102200	1		Ring
72	MA-07410003500	1		Ring
73	MA-07310002005	2		Liner t=0.5
74	MA-19672257000	2		Collar
75	MA-19672258000	1		Liner
76	MA-31223012001	1		Spring
77	MA-08301100200	2		O-Ring
78	MA-00511070070	1		Band, Wire



7234 Tractor
Steering - MFD

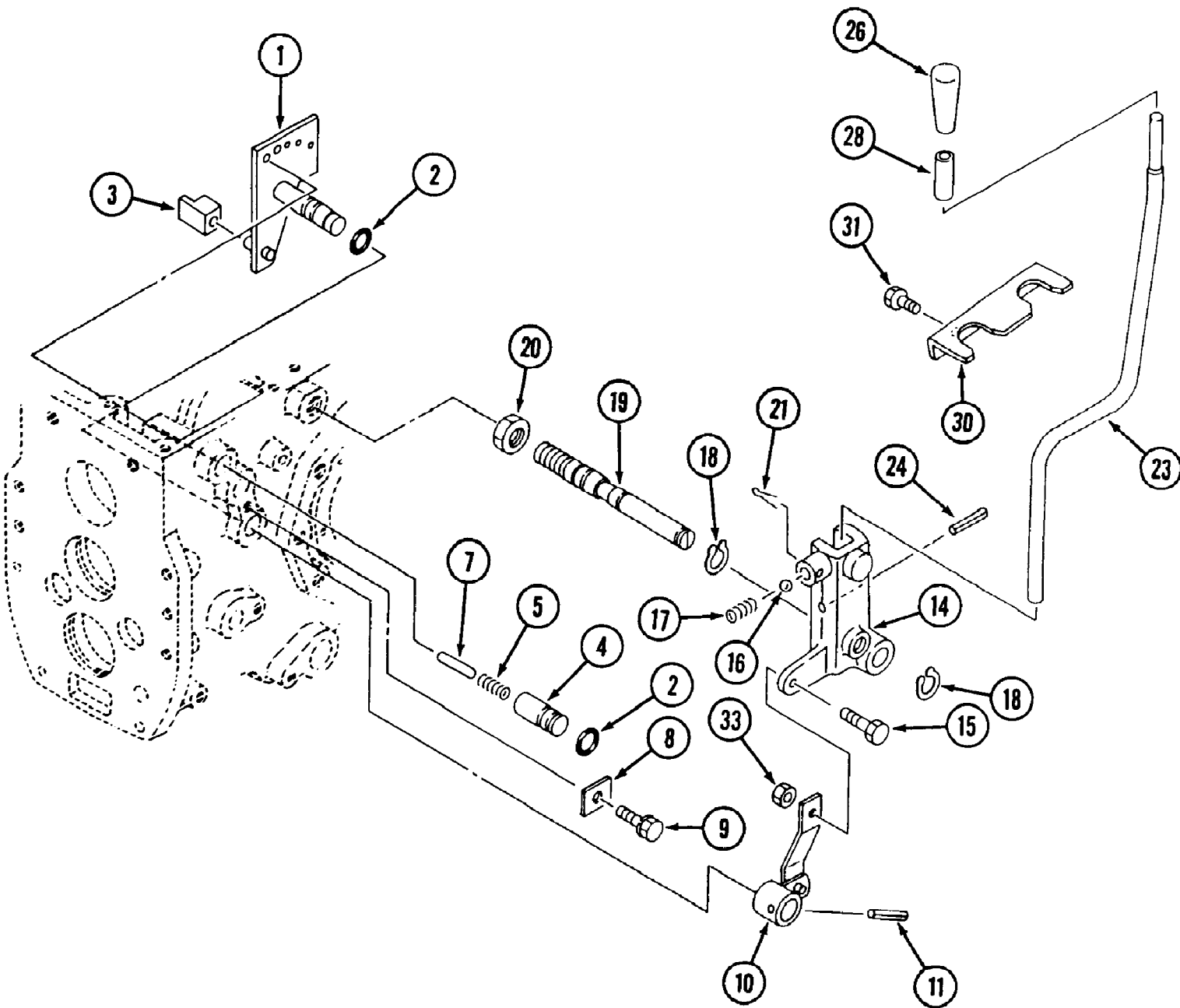
Page 167 of 200

Ref #	Part Number	Qty	S/P/F	Description
1	MA-10302268002	1	/P	Steering Unit
	MA-19642205AG0	1		Cylinder, Ass'y. Includes Items #2-15.
2	MA-19642206AG0	1		Tube, Ass'y.
3	MA-19642207AG0	1		Rod, Cylinder
4	MA-19632208000	1		Piston
	MA-19632209000	1		Kit, Seal A Includes Items #5-7.
5	MA-19632209100	1		Wear Ring
6	MA-08301100340	1		O-Ring
7	MA-08320100340	2		Ring
9	MA-19632211000	1		Case
	MA-19632212000	1		Kit, Seal B Includes Items #10 & 11.
10	MA-19632212100	1		Seal, Rod
11	MA-19632212200	1		Seal, Dust
12	MA-08301100400	1		O-Ring
14	MA-A3530112000	1		Nut
15	MA-07963024250	1		Bushing
16	MA-F1550110020	4		Bolt
17	MA-11742201170	1		Bushing, Column
18	MA-27931515000	1		Washer
19	MA-07410004001	1		Ring
20	MA-07400002000	1		Ring
21	MA-19642211000	2		Hose
22	MA-08401022358	1		Oil Seal
23	MA-19632257000	2		Bolt
24	MA-A3030112002	2		Nut
25	MA-08301100160	4		O-Ring
26		0		Hose Not used on this product
27	MA-19632255AG0	1		Lever
28	MA-14212284000	1		Grip
29	MA-27932754001	1		Spring
30	MA-19632259000	1		Valve, Check
31	MA-08301100140	3		O-Ring
32	MA-19632225000	1		Bolt
33	MA-A0730124001	1		Nut
34		0		Ring Not used on this product
36	MA-00502108063	1		Clamp
37	MA-A3030112002	1		Nut
38	MA-A0520112060	1		Bolt
39	MA-19682235000	1		Shaft, Steering
44	MA-19642252AG0	1		Column
45	MA-19642265AG0	1		Bracket, Column
46	MA-F1550110025	4		Bolt
47	MA-07961025200	2		Bushing
48	MA-19632267000	1		Bolt
49	MA-A3130101601	1		Nut
50	MA-05200140032	1		Pin, Split
52	MA-19632261000	2	F	Elbow w/O-Ring Includes Item #31.
	MA-06313117130	2	F	Elbow w/O-Ring
55	MA-03500151430	1		Washer
56	MA-A3600101402	1		Washer
57	MA-A3030114002	1		Nut
	MA-10302216000	1		Steering Ass'y. Includes Items #58 & #59.
58	MA-10302217000	1		Steering Wheel

7234 Tractor
Steering - MFD

Page 168 of 200

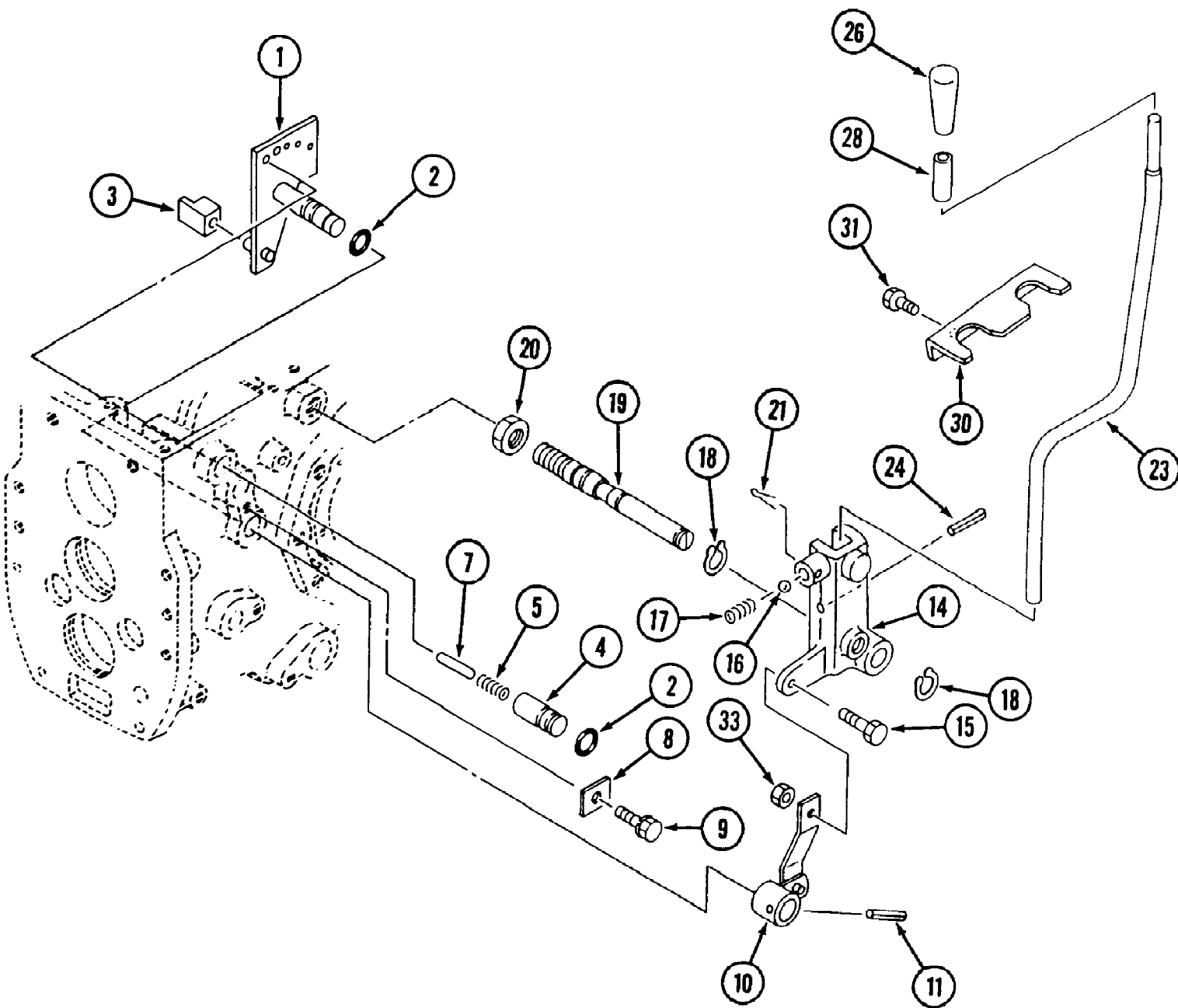
Ref #	Part Number	Qty	S/P/F	Description
59	MA-10302218000	1		Center Pad
69	MA-19632223000	1		Clamp
70	MA-F1540108020	1		Bolt
71	MA-07400102200	1		Ring
72	MA-07410003500	1		Ring
73	MA-07310002005	2		Liner t=0.5
74	MA-19672257000	2		Collar
75	MA-19672258000	1		Liner
76	MA-31223012001	1		Spring
77	MA-08301100200	2		O-Ring
78	MA-00511070070	1		Band, Wire



7234 Tractor
T/M Control (HST)

Page 170 of 200

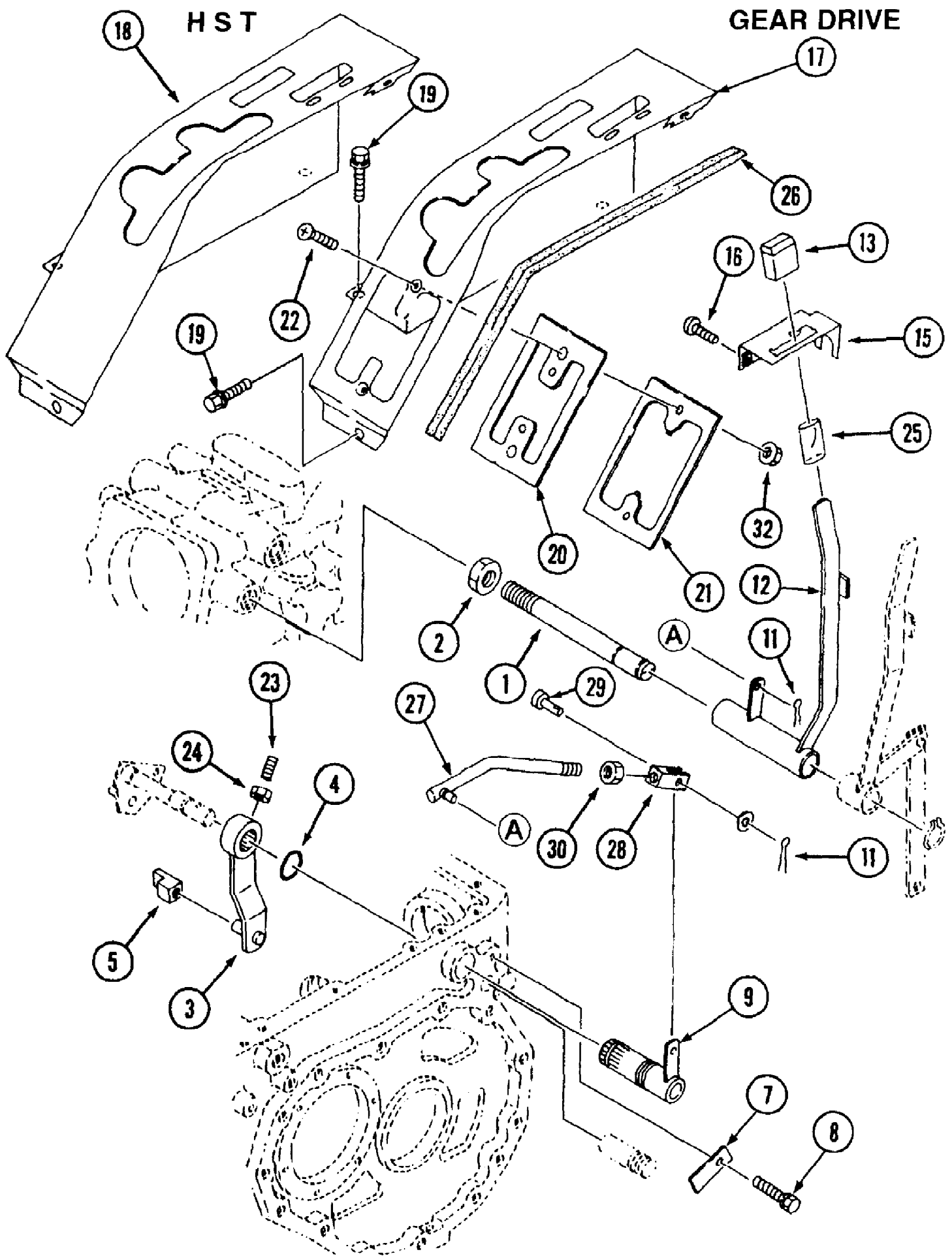
Ref #	Part Number	Qty	S/P/F	Description
1	MA-19641721001	1		Shifter, Range
2	MA-08300100160	2	/P	O-Ring
3	MA-19631722000	1		Piece, Shift
4	MA-19631723000	1		Boss
5	MA-67428-01700	1		Spring
7	MA-11741737000	1		Pin
8	MA-19631724000	1		Plate
9	MA-F1550110020	1		Bolt
10	MA-19641724AG0	1		Arm, Range
11	MA-05500006032	1		Pin, Spring
14	MA-19641729AG0	1		Bracket, Range
15	MA-A5142108020	1		Bolt
16	MA-08000000900	1		Ball
17	MA-67428-01700	1		Spring
18	MA-07400102000	2		Ring
19	MA-19641725000	1		Shaft
20	MA-A3030120001	1		Nut
21	MA-05200130032	1		Pin, Split
23	MA-19641726AG0	1		Lever, Range
24	MA-10311715000	1		Pin
26	MA-06910012250	1		Grip
28	MA-19632439000	1		Tube
30	MA-19641757AG0	1		Plate, Range
31	MA-A2520706012	2		Screw
33	MA-A3010108002	1		Nut



7234 Tractor
T/M Control - Gear & HST (Part 2)

Page 172 of 200

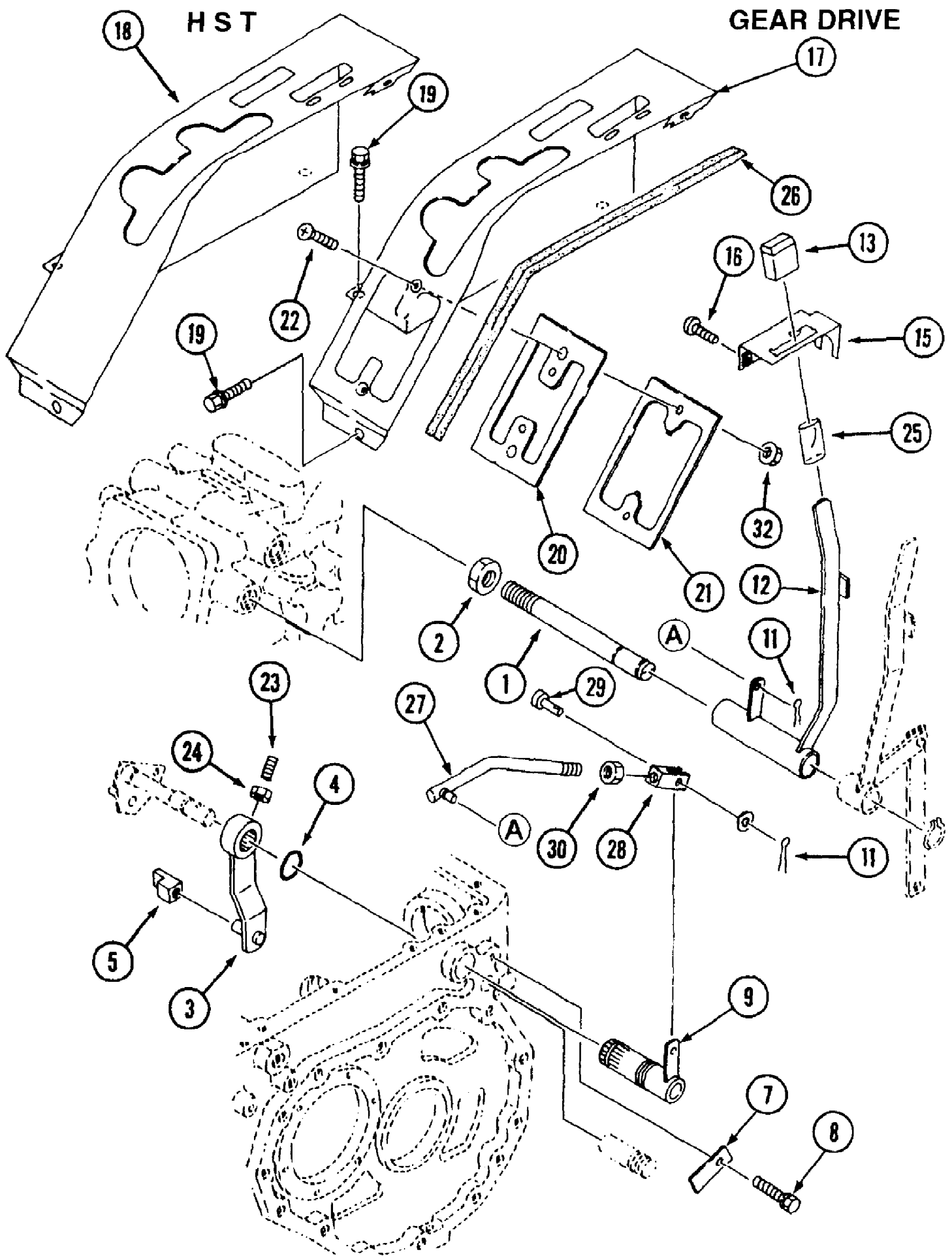
Ref #	Part Number	Qty	S/P/F	Description
1	MA-19641721001	1		Shifter, Range
2	MA-08300100160	2	/P	O-Ring
3	MA-19631722000	1		Piece, Shift
4	MA-19631723000	1		Boss
5	MA-67428-01700	1		Spring
7	MA-11741737000	1		Pin
8	MA-19631724000	1		Plate
9	MA-F1550110020	1		Bolt
10	MA-19641724AG0	1		Arm, Range
11	MA-05500006032	1		Pin, Spring Replace with P/N MA-10191734000
	MA-10191734000	1	F	Pin
14	MA-19641729AG0	1		Bracket, Range
15	MA-A5142108020	1		Bolt
16	MA-08000000900	1		Ball
17	MA-67428-01700	1		Spring
18	MA-07400102000	2		Ring
19	MA-19641725000	1		Shaft
20	MA-A3030120001	1		Nut
21	MA-05200130032	1		Pin, Split
23	MA-19641726AG0	1		Lever, Range
24	MA-10311715000	1		Pin
26	MA-06910012250	1		Grip
28	MA-19632439000	1		Tube
30	MA-19641757AG0	1		Plate, Range
31	MA-A2520706012	2		Screw
33	MA-A3010108002	1		Nut



7234 Tractor
T/M Control - Gear Drive (Part 3)

Page 174 of 200

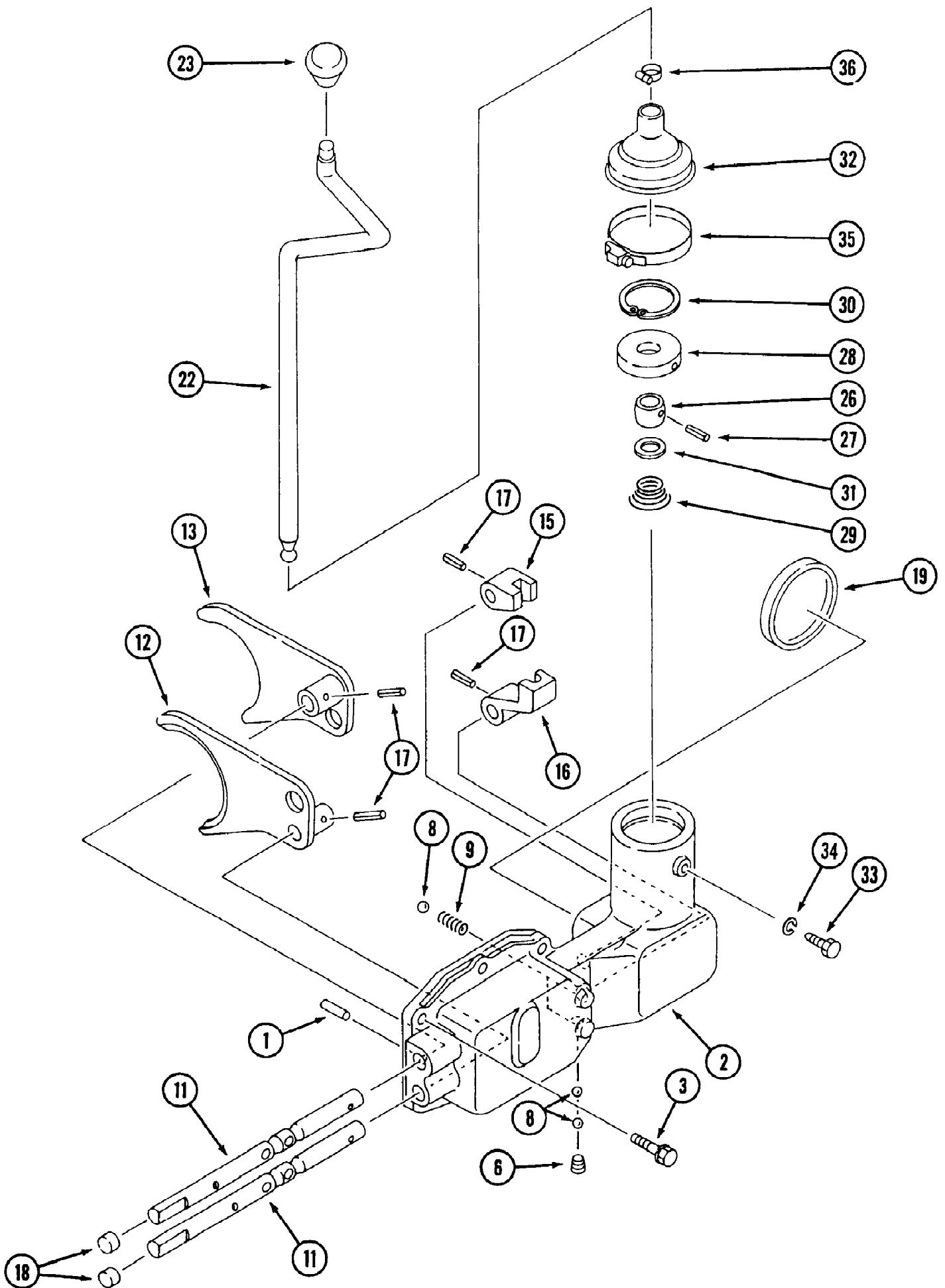
Ref #	Part Number	Qty	S/P/F	Description
1	MA-19641741000	1		Shaft, PTO Lever
2	MA-A3030120001	1		Nut
3	MA-19641742000	1	S	Shifter, R PTO
4	MA-08300100210	1		O-Ring
5	MA-19631743000	1		Piece, Shift
7	MA-19631741000	1		Plate
8	MA-F1550110020	1		Bolt
9	MA-19641743AG0	1		Arm, Rear PTO
11	MA-05200125016	2	S	Pin, Split
12	MA-19641746AG0	1		Lever, Rear PTO
13	MA-19061731000	1		Grip
12	MA-19641748AG0	1		Lever, PTO Ass'y. include item 12 and 25
15	MA-19641747AG0	1		Plate, Rear PTO
16	MA-A2520706012	2		Screw
17	MA-19641749BD0	1		Lever, Guide L.H.
18	MA-19641751BD0	1		Lever, Guide L.H.
19	MA-H1540108016	4		Bolt
20	MA-19641755000	1		Guide, Rubber
21	MA-19641756AG0	1		Plate
22	MA-A2220105016	2		Screw
23	MA-HA130201000	1		Screw
24	MA-A3010108002	1		Nut
25	MA-19631658000	1		Tube
26	MA-19641752000	1		Cushion
27	MA-19641745000	1		Rod, RE PTO
28	MA-19041269000	1		Joint
29	MA-05620108025	1		Pin, Clevis
30	MA-A3030110002	1		Nut
32	MA-F3000105001	2		Nut



7234 Tractor
T/M Control - HST (Part 3)

Page 176 of 200

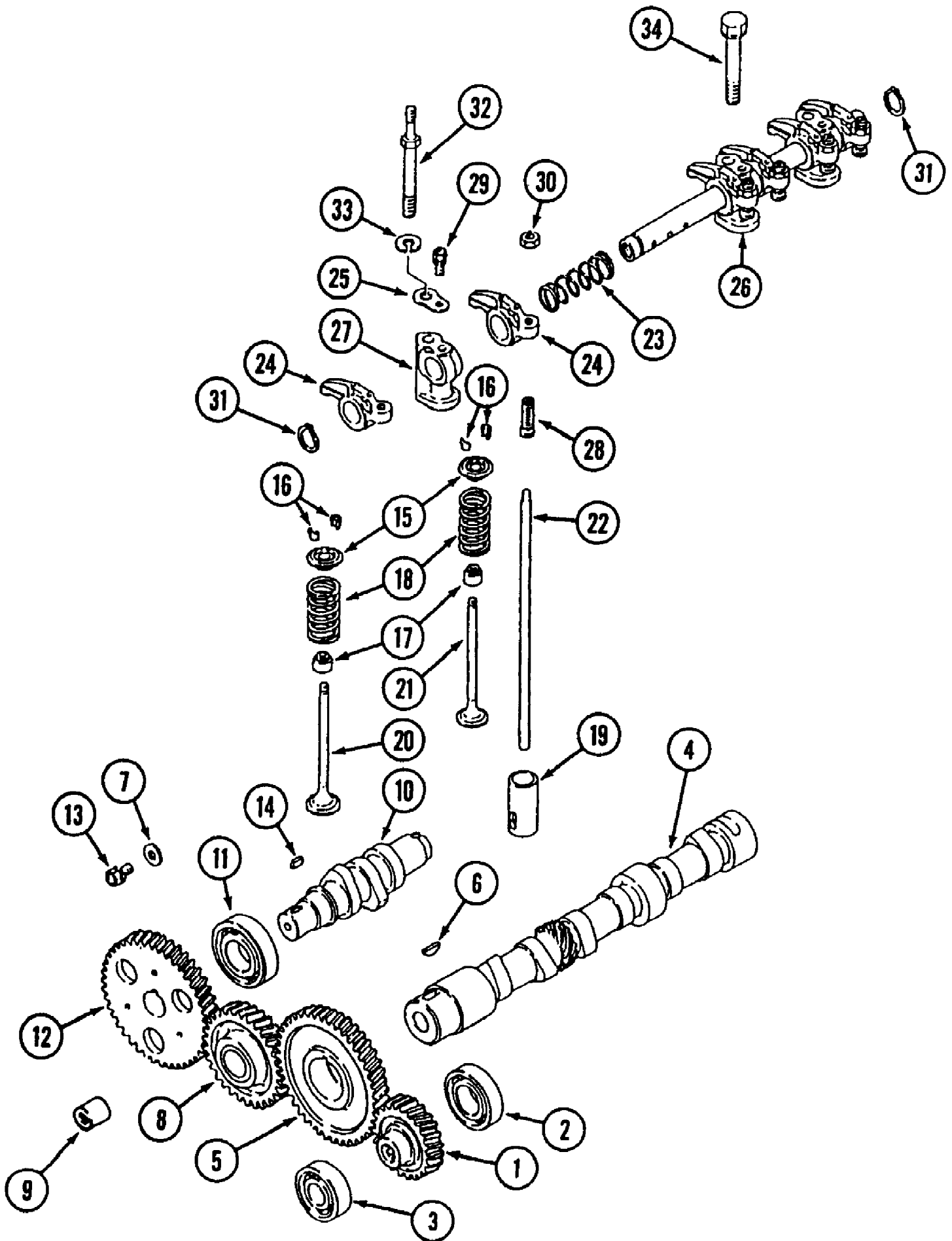
Ref #	Part Number	Qty	S/P/F	Description
1	MA-19641741000	1		Shaft, PTO Lever
2	MA-A3030120001	1		Nut
3	MA-19641742000	1	S	Shifter, R PTO
4	MA-08300100210	1		O-Ring
5	MA-19631743000	1		Piece, Shift
7	MA-19631741000	1		Plate
8	MA-F1550110020	1		Bolt
9	MA-19641743AG0	1		Arm, Rear PTO
11	MA-05200125016	2	S	Pin, Split
12	MA-19641746AG0	1		Lever, Rear PTO
13	MA-19061731000	1		Grip
12	MA-19641748AG0	1		Lever, PTO Ass'y. include item 12 and 25
15	MA-19641747AG0	1		Plate, Rear PTO
16	MA-A2520706012	2		Screw
17		0		Lever, Guide L.H. Not used on this product
18		0		Lever, Guide L.H. Not used on this product
19	MA-H1540108016	4		Bolt
20		0		Guide, Rubber Not used on this product
21		0		Plate Not used on this product
22		0		Screw Not used on this product
23	MA-HA130201000	1		Screw
24	MA-A3010108002	1		Nut
25	MA-19631658000	1		Tube
26	MA-19641752000	1		Cushion
?27	MA-19641745000	1		Rod, RE PTO
28	MA-19041269000	1		Joint
29	MA-05620108025	1		Pin, Clevis
30	MA-A3030110002	1		Nut
32		0		Nut Not used on this product



7234 Tractor
T/M Control Gear (Part 1)

Page 178 of 200

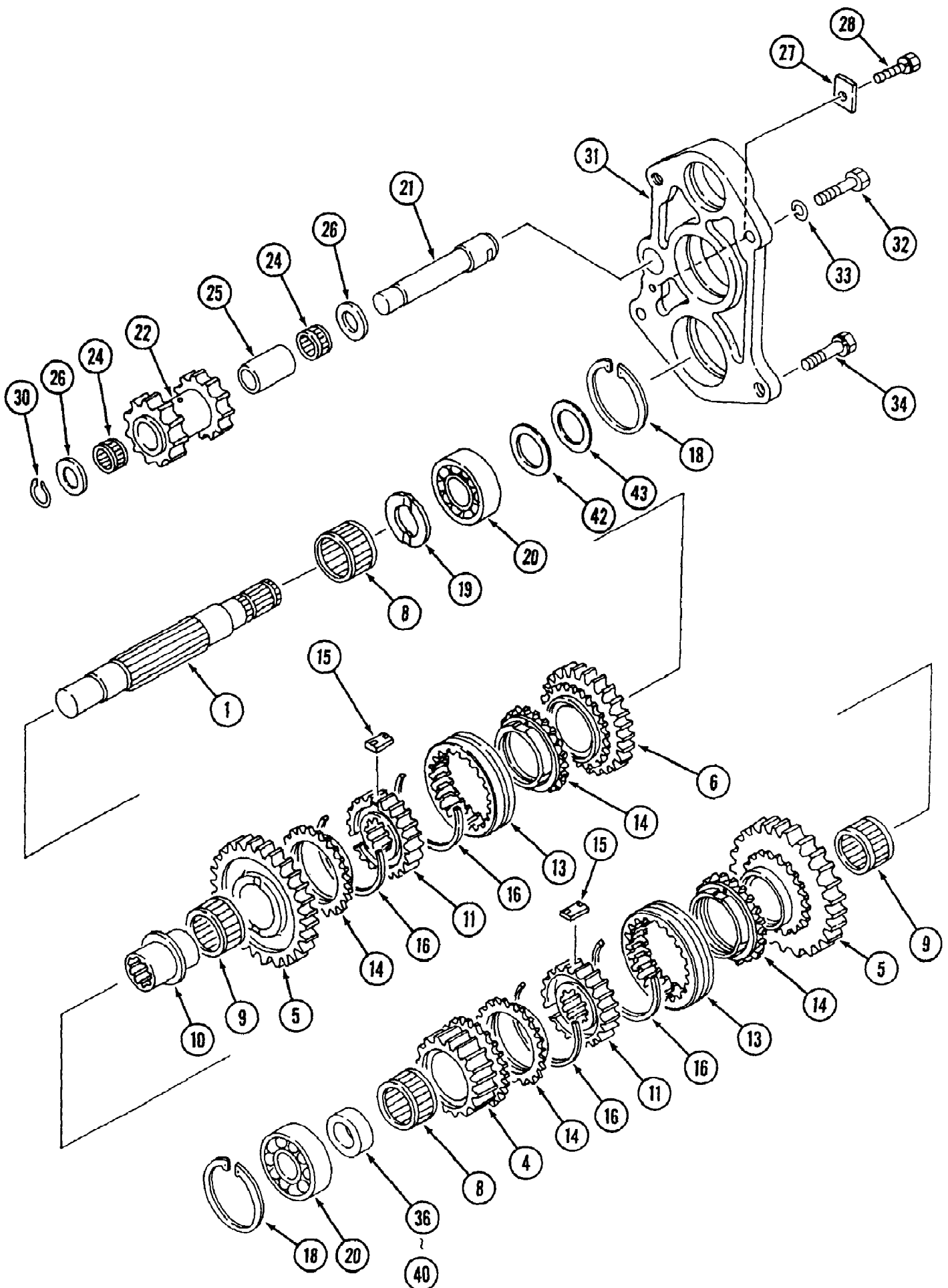
Ref #	Part Number	Qty	S/P/F	Description
1	MA-05401010020	2		Pin, Dowel
2	MA-19641701AG0	1		Cover, Control
3	MA-F1550110030	6		Bolt
6	MA-A6010A01300	1		Plug
8	MA-08000000900	4		Ball
9	MA-67428-01700	2		Spring
11	MA-05500006032	1		Pin, Spring Replace with MA-10191734000
	MA-10191734000	1	F	Pin
12	MA-19641704000	1		Fork, 1-3
13	MA-19641705000	1		Fork, 2-R
15	MA-19631715000	1		Adapter A
16	MA-19631716000	1		Adapter B
17	MA-05500006025	4		Pin, Spring
18	MA-08340016050	2		Seal, Cap
19	MA-08340080100	1		Seal, Cap
22	MA-19641707AG0	1		Lever, Main
23	MA-06930014460	1		Grip
26	MA-10311725000	1		Ball
27	MA-10311715000	1		Pin, Spring
28	MA-19631754000	1		Boss
29	MA-11931796000	1		Spring
30	MA-07410005501	1		Ring
31	MA-14152517000	1		Washer
32	MA-10311727000	1		Cover, Dust
33	MA-10311729000	1		Bolt
34	MA-A3010108002	1		Nut
35	MA-10311728000	1		Clamp
36	MA-00501100220	1		Clamp, Hose



7234 Tractor
Timing Parts

Page 180 of 200

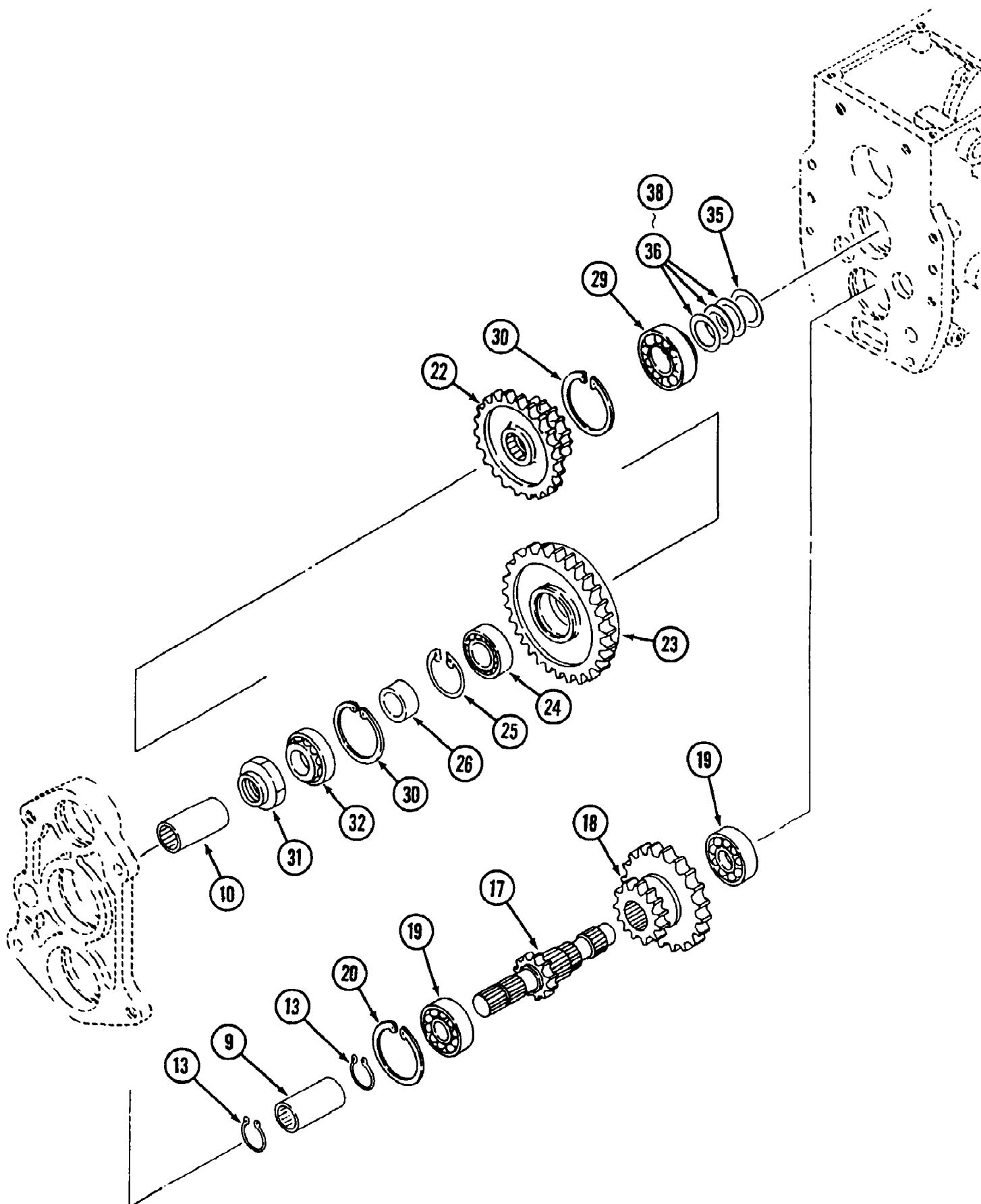
Ref #	Part Number	Qty	S/P/F	Description
1	MA-30A26-00500	1		Gear Press Oil Pump
2	MA-30A26-00200	1		Bearing, Ball
3	MA-MD712517	1		Bearing, Ball
4	MA-MM434615	1		Camshaft
5	MA-MM406722	1		Gear, Camshaft
6	MA-MF476215	1		Key, Woodruff
7	MA-MD000425	1	S	Washer
8	MA-MM408908	1		Idler Gear Ass'y.
9		1		Bushing, Idler Gear
10	MA-MM431415	1		Camshaft, Inj. Pump
11	MA-MD703856	1		Bearing, Ball
12	MA-MM406685	1		Gear, Inj. Pump
13	MA-MF241251	1		Bolt, w/Washer
14	MA-MF476018	1		Key
15	MA-MD016482	6		Retainer, Valve Spring
16	MA-MD016483	12		Lock, Retainer
17	MA-MD115472	6		Seal, Valve Stem
18	MA-MM402381	6		Spring, Valve
19	MA-MM402737	6	S	Tappet
20	MA-MM433590	3	S	Valve, Intake
21	MA-MM433591	3		Valve, Exhaust
22	MA-MM408920	6		Rod, Push
23	MA-MD000963	2		Spring, L.H. Rocker Shaft
24	MA-MM406732	6		Arm, Rocker
25	MA-MM406745	2		Washer, Seat
26	MA-MM408935	1		Rocker, Shaft Ass'y.
27	MA-MM314770	3		Stay, Rocker
28	MA-K7231220	6		Screw, Adjusting
29	MA-MF241225	2		Bolt, w/Washer
30	MA-MF430726	6	S	Nut, Jam
31	MA-MF522010	2	S	Ring, Snap
32	MA-MM408950	2		Bolt
33	MA-MF450406	2	S	Washer, Spring
34	MA-MF244892	1		Bolt, w/Washer



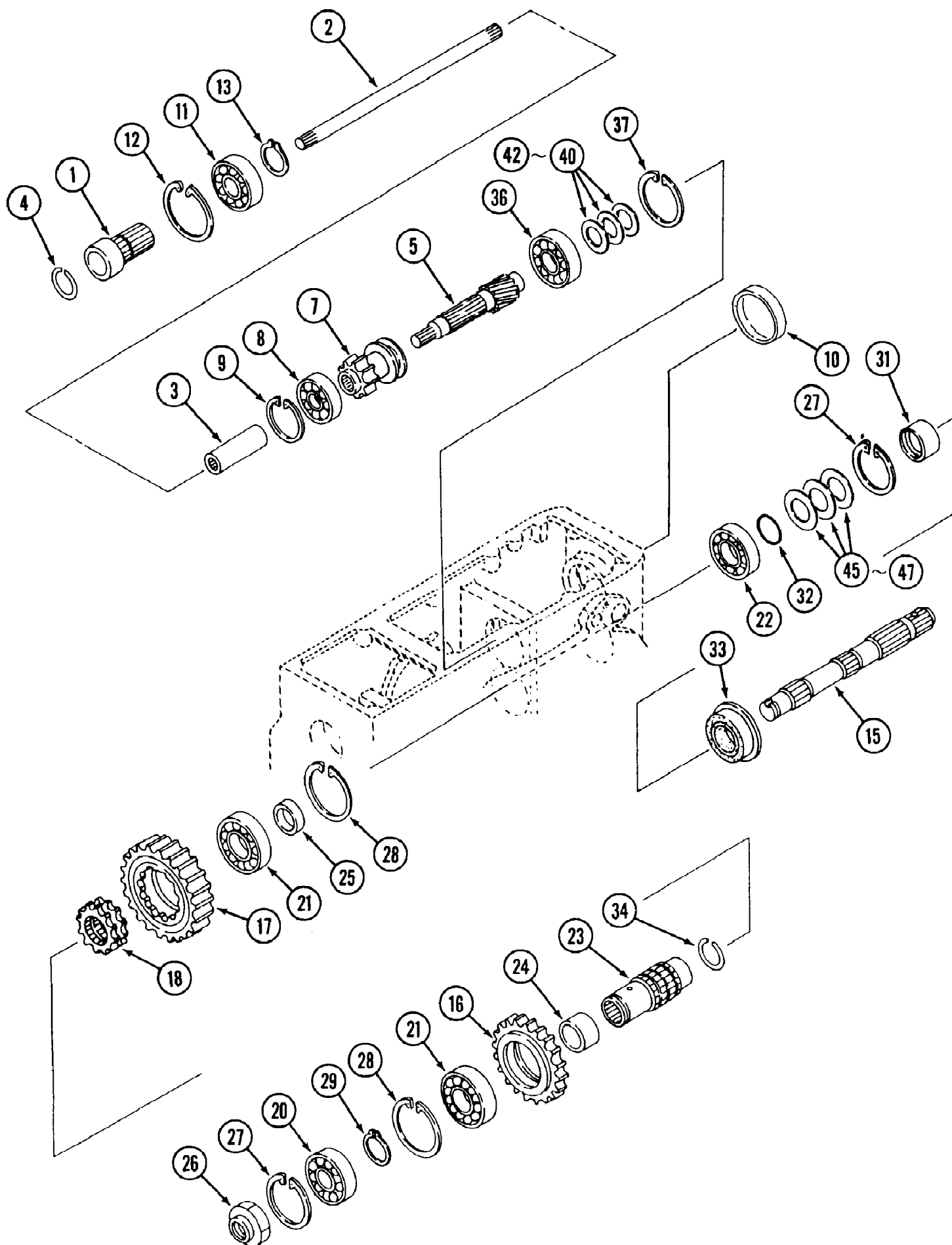
7234 Tractor
Transmission (Part 2)

Page 182 of 200

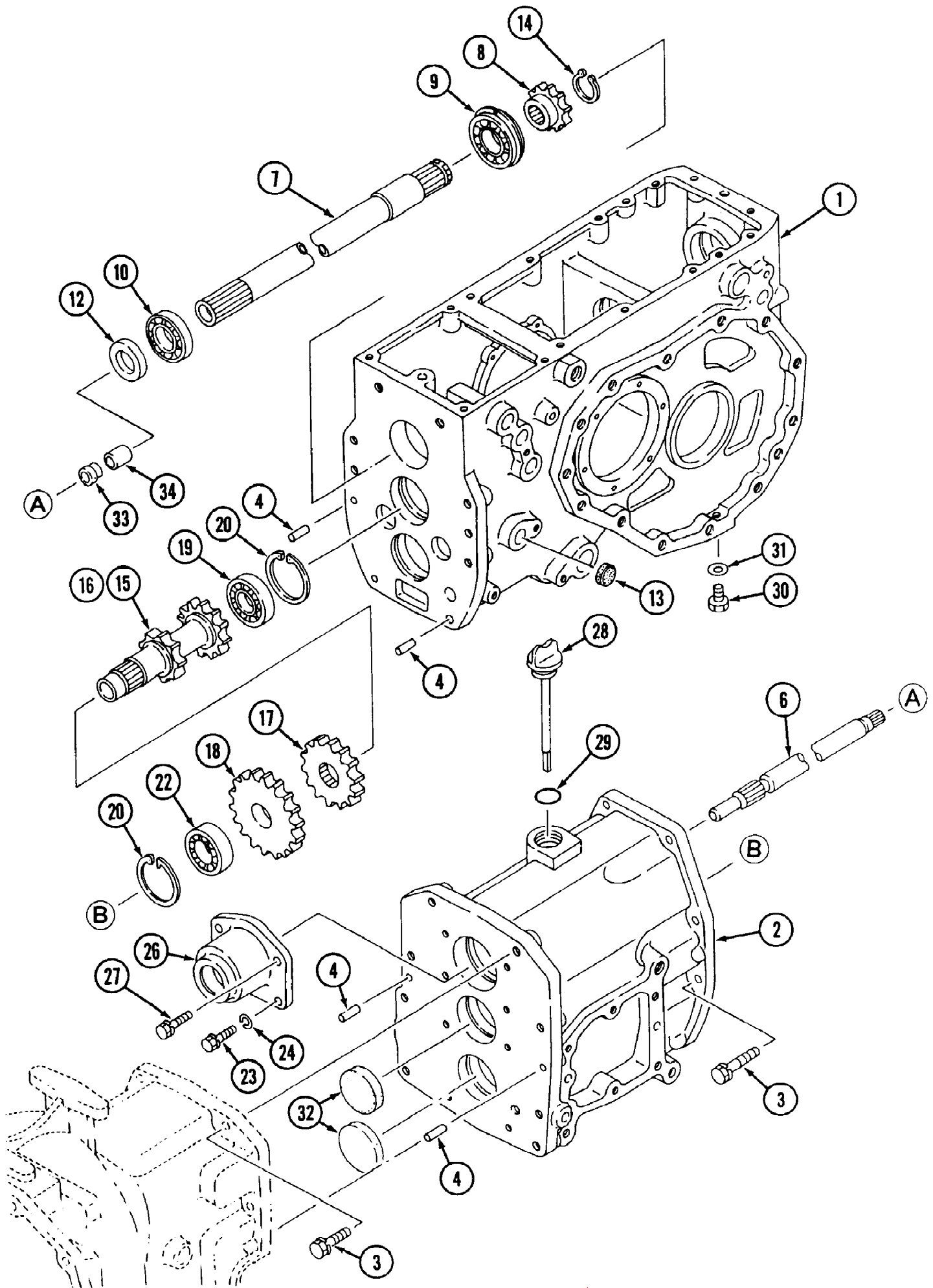
Ref #	Part Number	Qty	S/P/F	Description
1	MA-19641222000	1		Shaft, Main Change
4	MA-19641223000	1		Gear, 26T
5	MA-19641224000	2		Gear, 35T
6	MA-19641226000	1		Gear, 31T
8	MA-07802293427	2		Bearing
9	MA-07802404527	2		Bearing
10	MA-11741256000	1		Retainer (B)
11	MA-10311286001	2		Hub
13	MA-69526-01100	2		Sleeve
14	MA-68226-03500	4		Ring
15	MA-68226-03600	6		Piece
16	MA-68226-03700	4		Spring
18	MA-07410006200	2		Ring
19	MA-10301328000	1		Liner
20	MA-07500063050	2		Bearing
21	MA-19641227000	1		Shaft, Reverse
22	MA-19641228000	1		Gear, 17-18T
24	MA-07802202617	2		Bearing
25	MA-19641229000	1		Collar
26	MA-13521406000	2		Liner
27	MA-10311328000	1		Plate
28	MA-F1540108020	1		Bolt
30	MA-07400002000	1		Ring
31	MA-19641231000	1		Cover
32	MA-69542-64700	2		Bolt
33	MA-A3600101002	2	/P	Washer
34	MA-F1550110030	2		Bolt
	MA-19641265001	1		Collar Set
36	MA-19641283000	(1)	F	Collar
?37	MA-19641266000	(1)	F	Collar
?38	MA-19641267000	(1)	F	Collar
?39	MA-19641268000	(1)	F	Collar
40	MA-19641269000	(1)	F	Collar
	MA-10211318000	1		Liner Set
42	MA-07300006202	AR		Liner
43	MA-07300006204	AR		Liner



Ref #	Part Number	Qty	S/P/F	Description
9	MA-67426-01500	1		Coupling
10	MA-19631232000	1		Joint M.F.D. Only
13	MA-07400002500	2	/P	Ring
17	MA-19641238000	1		Shaft, Sub Change
18	MA-19641239000	1		Gear, 23-36T
19	MA-07500063050	2		Bearing
20	MA-07410006200	1		Ring
22	MA-19641241000	1		Gear, 19-32T
23	MA-19641242000	1		Gear, 43T
24	MA-07500062050	1		Bearing
25	MA-07410005201	1	/P	Ring
26	MA-19641243000	1		Collar
29	MA-07700132206	1		Bearing
30	MA-07410006200	2		Ring
31	MA-11741273000	1		Nut (M25)
32	MA-07700130305	1		Bearing
	MA-10211321000	1		Shim Set
35	MA-67700-30600	1		Shim
36	MA-67700-30300	AR		Shim
?37	MA-67700-30400	AR		Shim
38	MA-67700-30500	AR		Shim



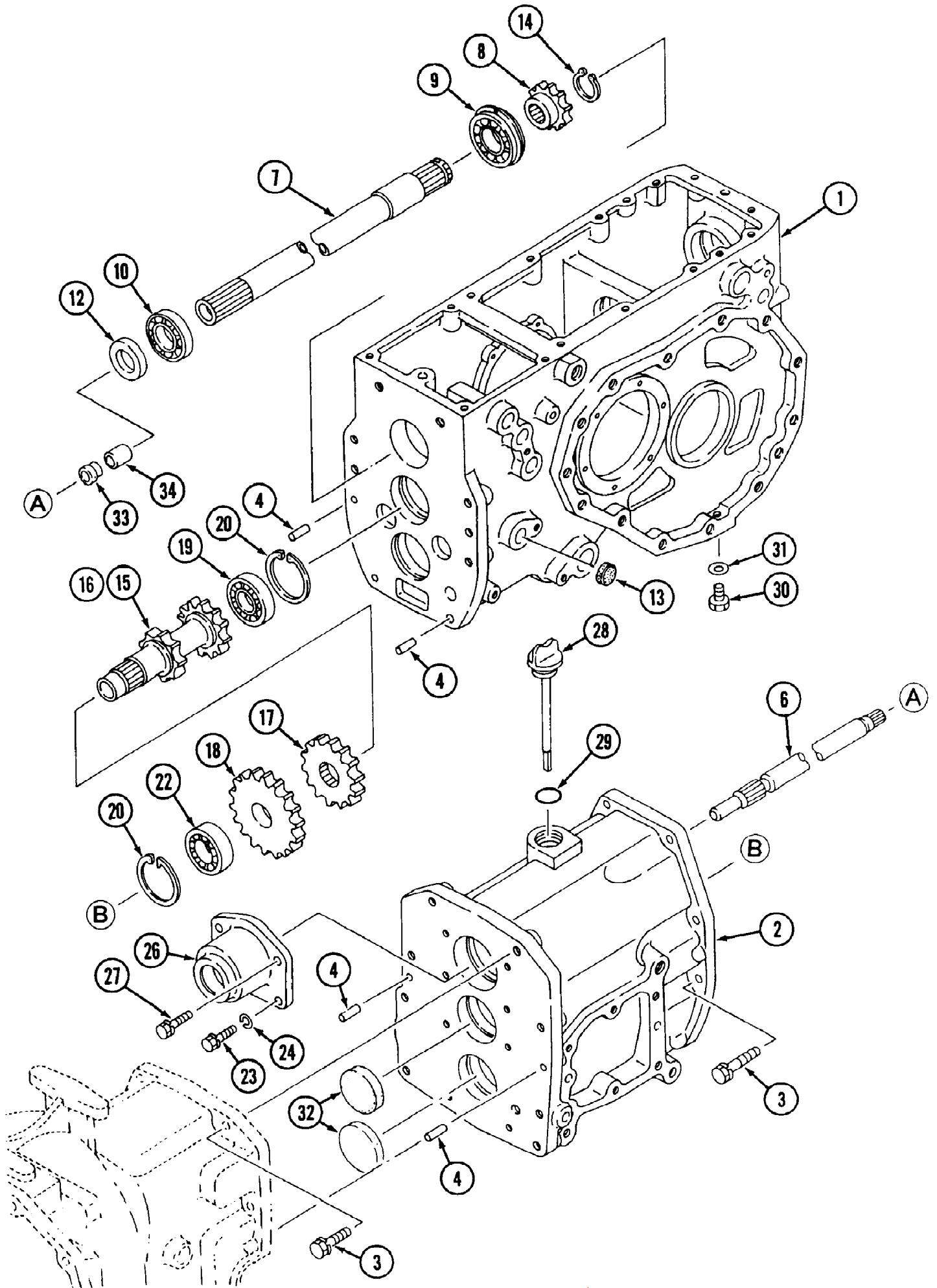
Ref #	Part Number	Qty	S/P/F	Description
1	MA-19631275000	1		Joint
2	MA-19641246000	1		Shaft
3	MA-10251922000	1	S	Collar
4	MA-10311363001	1		Ring
5	MA-19641247000	1		Shaft, PTO
7	MA-19641248001	1	/P/F	Gear, 19T Replaces P/N MA-19641248000
8	MA-07520663050	1		Bearing
9	MA-07410006200	1		Ring
10	MA-08340072100	1		Seal, Cap
11	MA-07500060050	1		Bearing
12	MA-07410004701	1	/P	Ring
13	MA-07400002500	1	/P	Ring
15	MA-19641249000	1		Shaft, PTO Drive
16	MA-19641251000	1		Gear, 46T
17	MA-19641252000	1		Gear, 48T
18	MA-19631249000	1		Gear, Clutch
20	MA-07520663050	1		Bearing
21	MA-07500062070	2		Bearing
22	MA-07520662060	1		Bearing
23	MA-19641254000	1		Boss, Spline
24	MA-19631252000	1		Collar
25	MA-19641253000	1		Collar
26	MA-11741273000	1		Nut (M25)
27	MA-07410006200	2		Ring
28	MA-07410007201	2		Ring
29	MA-07400003500	1	S	Ring
31	MA-10251405000	1		Bushing
32	MA-08300100300	1		O-Ring
33	MA-10211314000	1		Seal, Oil
34	MA-19631253000	1		Ring
36	MA-07520663060	1		Bearing
37	MA-07410007201	1		Ring
	MA-19641281000	1		Liner Set Includes items 40-42
40	MA-07300007202	AR		Liner t=0.2 As Required
?41	MA-07300007204	AR		Liner t=0.4 As Required
42	MA-07300007208	AR		Liner t=0.8 As Required
	MA-10211318000	1		Liner Set Includes items 45-47
45	MA-07300006201	AR		Liner t=0.15 As Required
?46	MA-07300006204	AR		Liner t=0.4 As Required
47	MA-07300006208	AR		Liner t=0.8 As Required



7234 Tractor
Transmission - 2WD (Part 1)

Page 188 of 200

Ref #	Part Number	Qty	S/P/F	Description
1	MA-19641211AG0	1	F	Case, T/M (STD)
	MA-19641211AG1	1	F	Case, T/M (STD)
	MA-19641211AG2	1	F	Case, T/M (STD)
2	MA-19641213AG0	1		Case, Center
	MA-19641213AG1	1		Case, Center Replaces MA-19641213AG0. Remove Liners (2) from bolts securing MFD Case (See "MFD PTO - Gear Drive (Part 2)" illustration and parts list)
	MA-19641213AG3	1		Case, Center Replaces MA-19641213AG1 when inventory is depleted
3	MA-F1540112035	16		Bolt
4	MA-05401010020	4		Pin, Dowel
6	MA-19641214000	1		Shaft, Main
7	MA-19641216000	1		Shaft, Drive
8	MA-19641217000	1		Gear, 20T
9	MA-07500062075	1		Bearing
10	MA-07500560074	1		Bearing
12	MA-08401035508	1		Seal, Oil
13	MA-08340020070	1		Seal, Cap
14	MA-07400103500	1	/P	Ring
15	MA-19641273000	1		Gear, 19-24T
16		0		Gear, 19-24T Not used on this product
17	MA-19641219000	1		Gear, 29T
18	MA-19641221000	1		Gear, 34T
19	MA-07500062060	1		Bearing
20	MA-07410006200	2		Ring
22	MA-07520662060	1		Bearing
23	MA-69542-64700	2		Bolt
24	MA-A3600101002	2	/P	Washer
26	MA-19641261000	1		Cover
27	MA-F1550110030	2		Bolt
28	MA-19831734001	1		Plug, Oiling
29	MA-08300100280	1		O-Ring
30	MA-F5000-16000	2		Plug
31	MA-08331001600	2		Seal, Washer
32	MA-08340062100	2		Seal, Cap
33	MA-19631276000	1		Seal, Oil
34	MA-07963020200	1		Bushing



7234 Tractor
Transmission - MFD (Part 1)

Page 190 of 200

Ref #	Part Number	Qty	S/P/F	Description
1	MA-19641211AG0	1	F	Case, T/M (STD)
	MA-19641211AG1	1	F	Case, T/M (STD)
	MA-19641211AG2	1	F	Case, T/M (STD)
2	MA-19641213AG0	1		Case, Center
	MA-19641213AG1	1		Case, Center Replaces MA-19641213AG0. Remove Liners (2) from bolts securing MFD Case (See "MFD PTO - Gear Drive (Part 2)" illustration and parts list)
	MA-19641213AG3	1		Case, Center Replaces MA-19641213AG1 when inventory is depleted
3	MA-F1540112035	16		Bolt
4	MA-05401010020	4		Pin, Dowel
6	MA-19641214000	1		Shaft, Main
7	MA-19641216000	1		Shaft, Drive
8	MA-19641217000	1		Gear, 20T
9	MA-07500062075	1		Bearing
10	MA-07500560074	1		Bearing
12	MA-08401035508	1		Seal, Oil
13	MA-08340020070	1		Seal, Cap
14	MA-07400103500	1	/P	Ring
15		0		Gear, 19-24T Not used on this product
16	MA-19641218000	1		Gear, 19-24T
17	MA-19641219000	1		Gear, 29T
18	MA-19641221000	1		Gear, 34T
19	MA-07500062060	1		Bearing
20	MA-07410006200	2		Ring
22	MA-07520662060	1		Bearing
23		0		Bolt Not used on this product
24		0		Washer Not used on this product
26		0		Cover Not used on this product
27		0		Bolt Not used on this product
28	MA-19831734001	1		Plug, Oiling
29	MA-08300100280	1		O-Ring
30	MA-F5000-16000	2		Plug
31	MA-08331001600	2		Seal, Washer
32		0		Seal, Cap Not used on this product
33	MA-19631276000	1		Seal, Oil
34	MA-07963020200	1		Bushing

Model	Position	Cub Wheel Ass'y. Complete	Tube	Valve x 2	Tire/lbs	Rim/lbs
7232	2WD Front Rear	634-3131 634-3133	GY 195-075-400-0206T GY 196-614-400-02752	No No	16 65	15 75
7234 7235	MFD Front Rear	634-3132 634-3133	No	734-0255 No	22 65	18 75
7232	2WD Front Rear	634-3142 634-3135	No	734-0255 No	20 58	
7234 7235	MFD Front Rear	634-3143 634-3135	No	734-0255 No	20 58	
7272	2WD Front Rear	634-3131 634-3137	GY 195-075-400-0206T GY 196-614-400-02752	No No	16 90	15 33
7274 7275	MFD Front Rear	634-3136 634-3137	GY 195-187-400-02067 GY 196-683-400-02752	No No	22 90	21 40
7272	2WD Front Rear	634-3141 634-3139	No No	734-3114 734-3114	31 100	31 58
7274 7275	MFD Front Rear	634-3138 634-3139	No No	734-3114 734-3114	30 100	30 58

Model	Position	Tire	Tread Type	Rim	Manufacturer Tire Part No.	Cub Cadet Rim Ass'y.
7232	2WD Front Rear	5.00-15 9.5-24	F2 R1	15x3.00D 24xW8	GY 162-064-179-6 GY 175-504-469-6	634-3106 634-3108
7234 7235	MFD Front Rear	7-14 9.5-24	R1 R1	14x5KB 24xW8	GY 175-443-470 GY 175-504-469-6	634-3107 634-3108
7232	2WD Front Rear	25x8.5-14 13.6-16	GT R4	8KB W10L	FS 341878 FS 345210	634-3116 634-3115
7234 7235	MFD Front Rear	25x8.5-14 13.6-16	GT R4	8KB W10L	FS 341878 FS 345210	634-3117 634-3115
7272	2WD Front Rear	5.00-15 11.2-24	F2 R1	15x3.00D 24xW10	GY 162-064-179-6 GY 175-539-469-6	634-3106 634-3113
7274 7275	MFD Front Rear	6.70-15 11.2-24	I3 R1	15x5KB 24xW10	GY 170-166-131-6 GY 175-539-469-6	634-3112 634-3113
7272	2WD Front Rear	25x10.50-15 41x14.00-20	Softrac Softrac	15x8LB 20x11WH	GY 310-469-579 GY 304-527-581	634-3114 634-3111
7274 7275	MFD Front Rear	27x10.50-15 41x14.00-20	Softrac Softrac	15x8LB 20x11WH	GY 310-480-579 GY 304-527-581	634-3110 634-3111

7234 Tractor

Page 193 of 200

Wheel Assemblies Rim & Tire (7232, 7234, 7272, 7274, 7275 Tractors)

Ref #	Part Number	Qty	S/P/F	Description
62-064-179-6	GY162-064-179-6	1		Tire 5.00-15 Model 7232, Position 2WD Front, Tread Type F2
634-3106	634-3106	1		Rim 15x3.00D Model 7232, Position 2WD Front
75-504-469-6	GY175-504-469-6	1		Tire 9.5-24 Model 7232, Position Rear, Tread Type R1
634-3108	634-3108	1		Rim 24x W8 Model 7232, Position Rear
7175-443-470	GY175-443-470	1		Tire 7-14 Model 7234, Position MFD Front, Tread Type R1
634-3107	634-3107	1		Rim 14x5KB Model 7234, Position MFD Front
75-504-469-6	GY175-504-469-6	1		Tire 9.5-24 Model 7235, Position Rear, Tread Type R1
634-3108	634-3108	1		Rim 24x W8 Model 7235, Position Rear
FS341878	FS341878	1		Tire 25x8.5-14 Model 7232, Position 2WD Front, Tread Type GT
634-3116	634-3116	1		Rim 8KB Model 7232, Position 2WD Front
FS345210	FS345210	1		Tire 13.6-16 Model 7232, Position Rear, Tread Type R4
634-3115	634-3115	1		Rim W10L Model 7232, Position Rear
FS341878	FS341878	1		Tire 25x8.5-14 Model 7234, Position MFD Front, Tread Type GT
634-3117	634-3117	1	S	Rim 8KB Model 7234, Position MFD Front
FS345210	FS345210	1		Tire 13.6-16 Model 7235, Position Rear, Tread Type R4
634-3115	634-3115	1		Rim W10L, Model 7235, Position Rear
62-064-179-6	GY162-064-179-6	1		Tire 5.00-15 Model 7272, Position 2WD Front, Tread Type F2
634-3106	634-3106	1		Rim 15x3.00D Model 7272, Position 2WD Front
75-539-469-6	GY175-539-469-6	1		Tire 11.2-24 Model 7272, Position Rear, Tread Type R1
634-3113	634-3113	1		Rim 24x W10 Model 7272, Position Rear
70-166-131-6	GY170-166-131-6	1		Tire 6.70-15 Model 7274, Position MFD Front, Tread Type I3
634-3112	634-3112	1		Rim 15x5KB Model 7274, Position MFD Front
75-539-469-6	GY175-539-469-6	1		Tire 11.2-24 Model 7275, Position Rear, Tread Type R1
634-3113	634-3113	1		Rim 24x W10 Model 7275, Position Rear
7310-469-579	GY310-469-579	1		Tire 25x10.50-15 Model 7272, Position 2WD Front, Tread Type Softrac
634-3114	634-3114	1		Rim 15x8LB Model 7272, Position 2WD Front
7304-527-581	GY304-527-581	1		Tire 41x14.00-20 Model 7272, Position Rear, Tread Type Softrac
634-3111	634-3111	1		Rim 20x11WH Model 7272, Position Rear

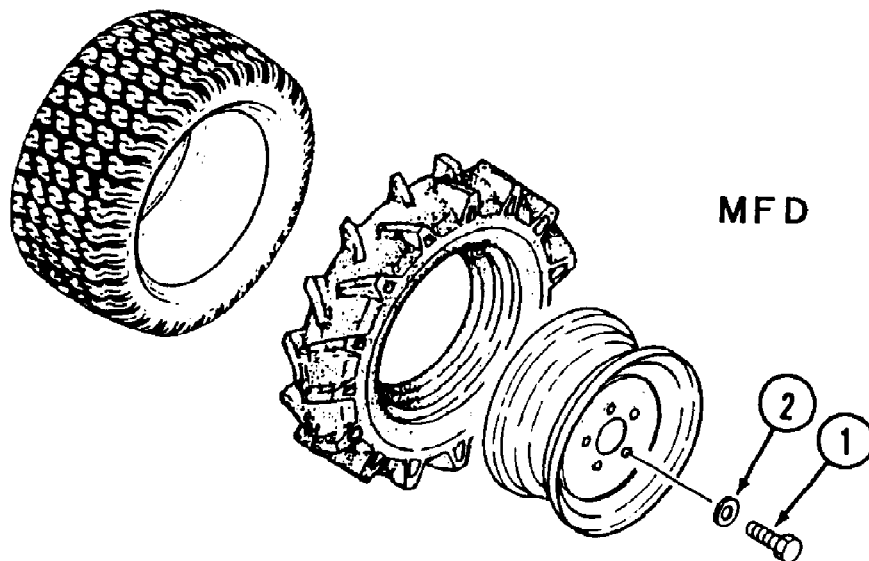
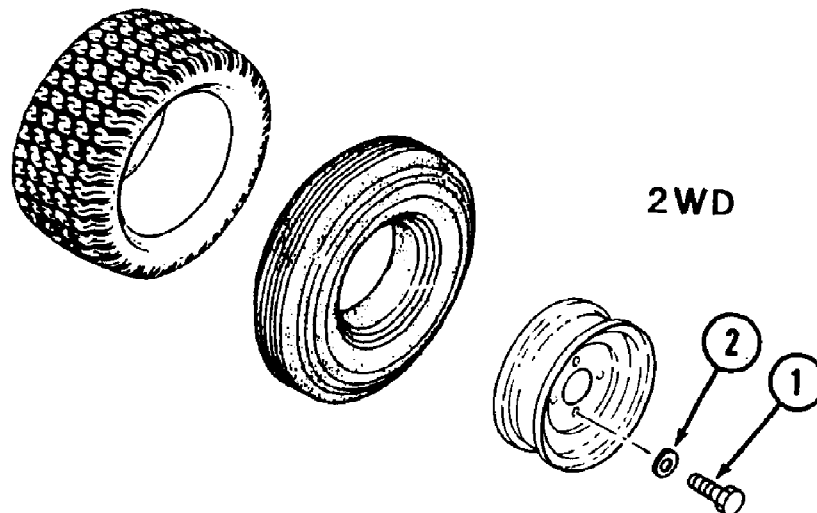
7234 Tractor

Page 194 of 200

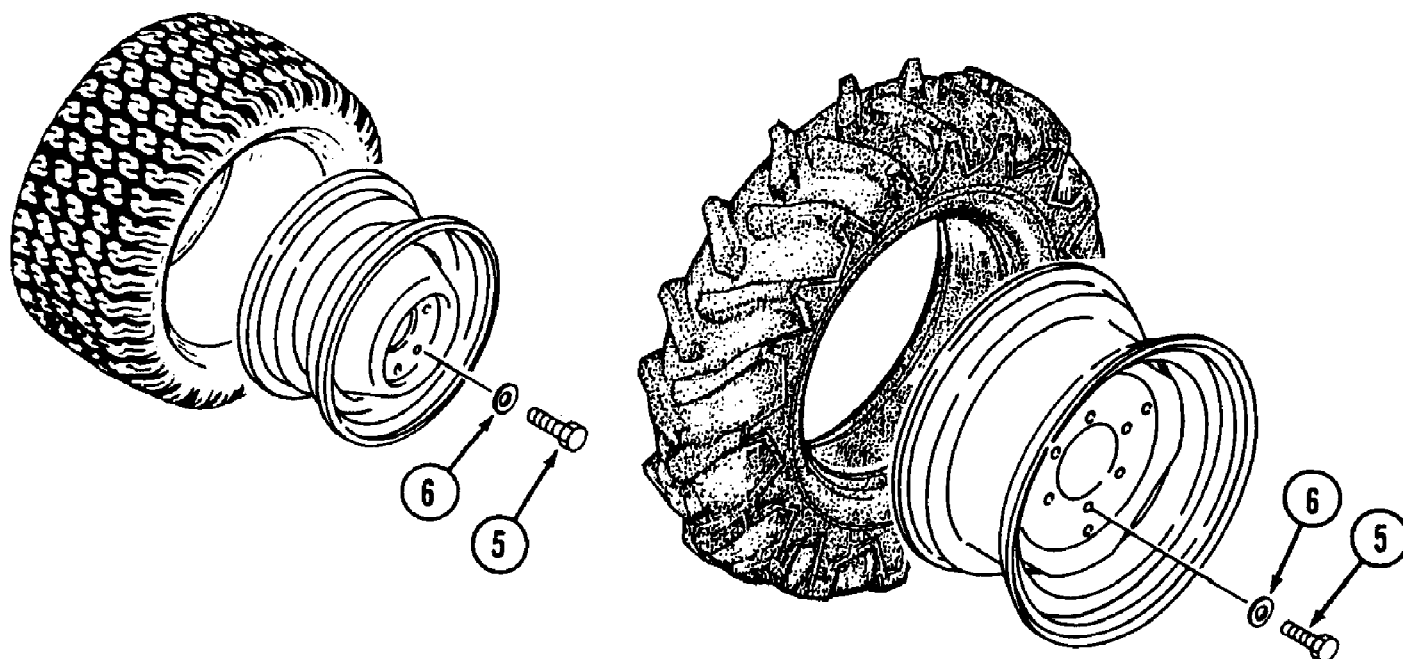
Wheel Assemblies Rim & Tire (7232, 7234, 7272, 7274, 7275 Tractors)

Ref #	Part Number	Qty	S/P/F	Description
310-480-579	GY310-480-579	1		Tire 27x10.50-15 Model 7274, Position MFD Front, Tread Type Softrac
634-3110	634-3110	1		Rim 15x8LB Model 7274, Position MFD Front
304-527-581	GY304-527-581	1		Tire 14x14.00-20 Model 7275, Position Rear, Tread Type Softrac
634-3111	634-3111	1		Rim 20x11WH Model 7275, Position Rear

FRONT WHEEL



REAR WHEEL

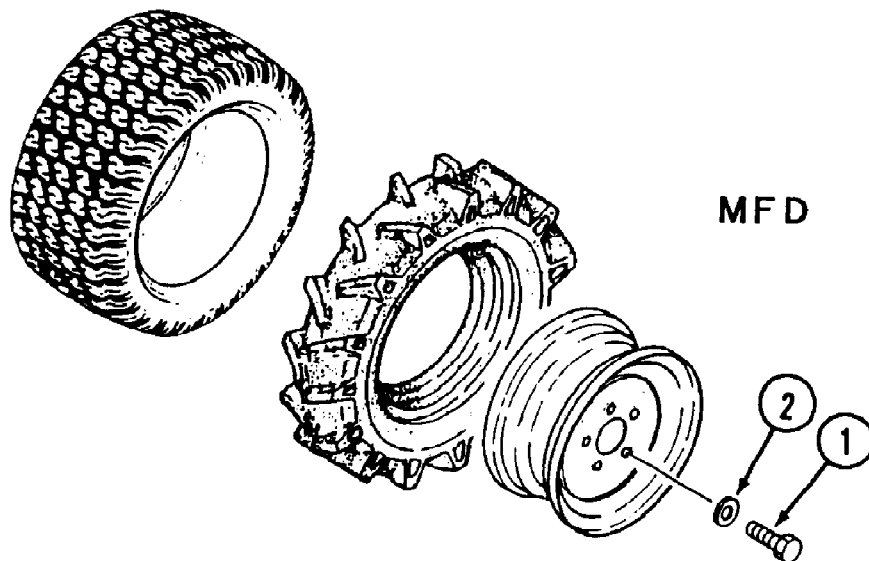
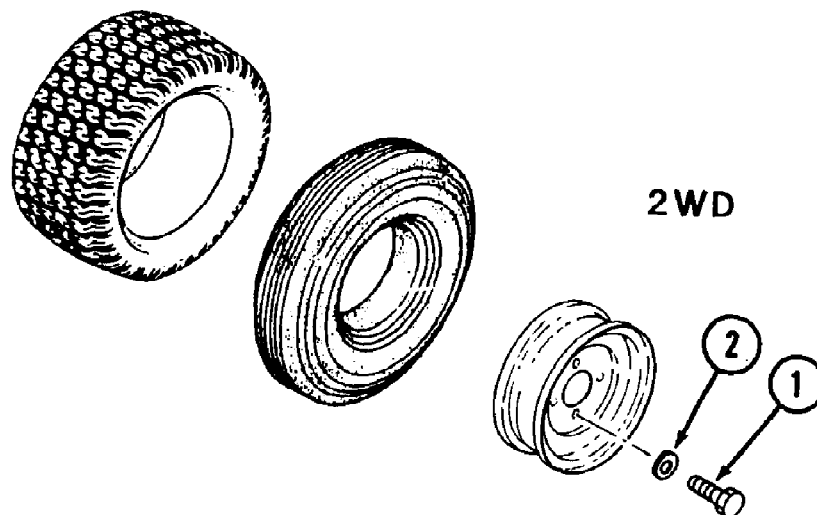


7234 Tractor
Wheel Mounting Hardware - 2WD (Part 2)

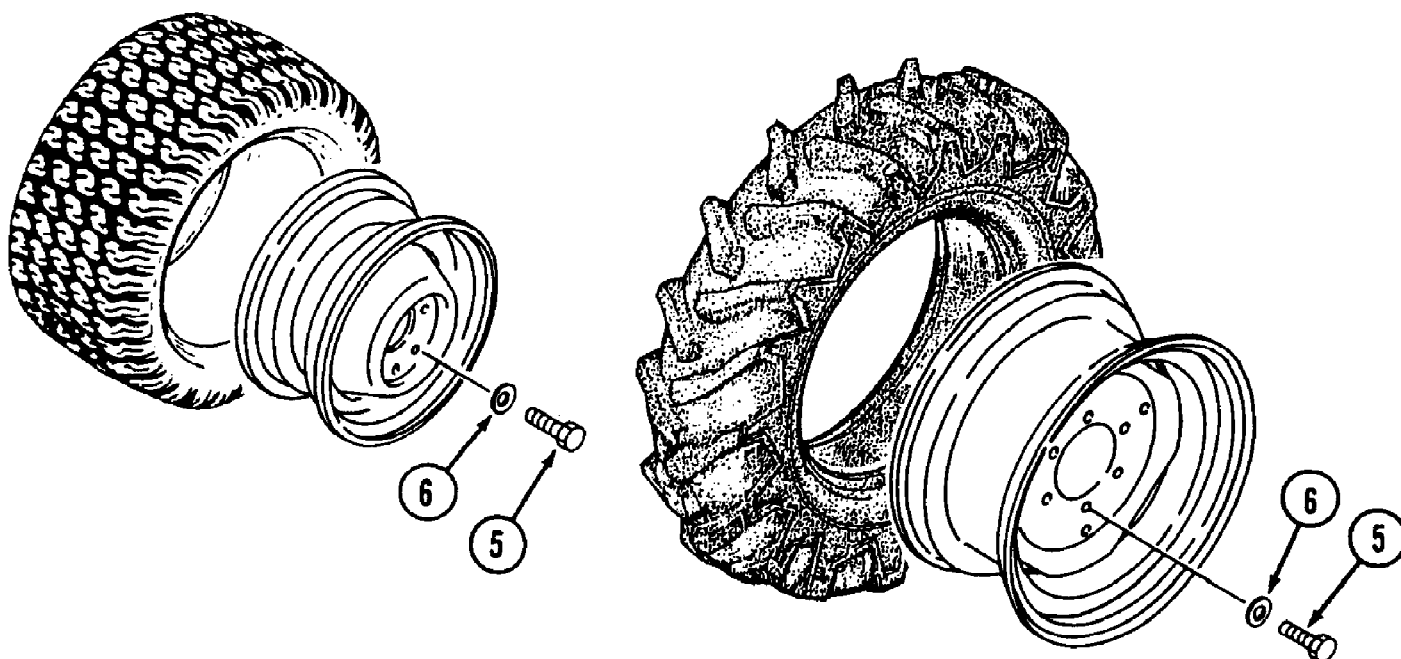
Page 196 of 200

Ref #	Part Number	Qty	S/P/F	Description
1	MA-A0420314030	8	S	Bolt
2	MA-03550361428	8		Washer
5	MA-A0420314030	12	S	Bolt
6	MA-03550361428	12		Washer

FRONT WHEEL

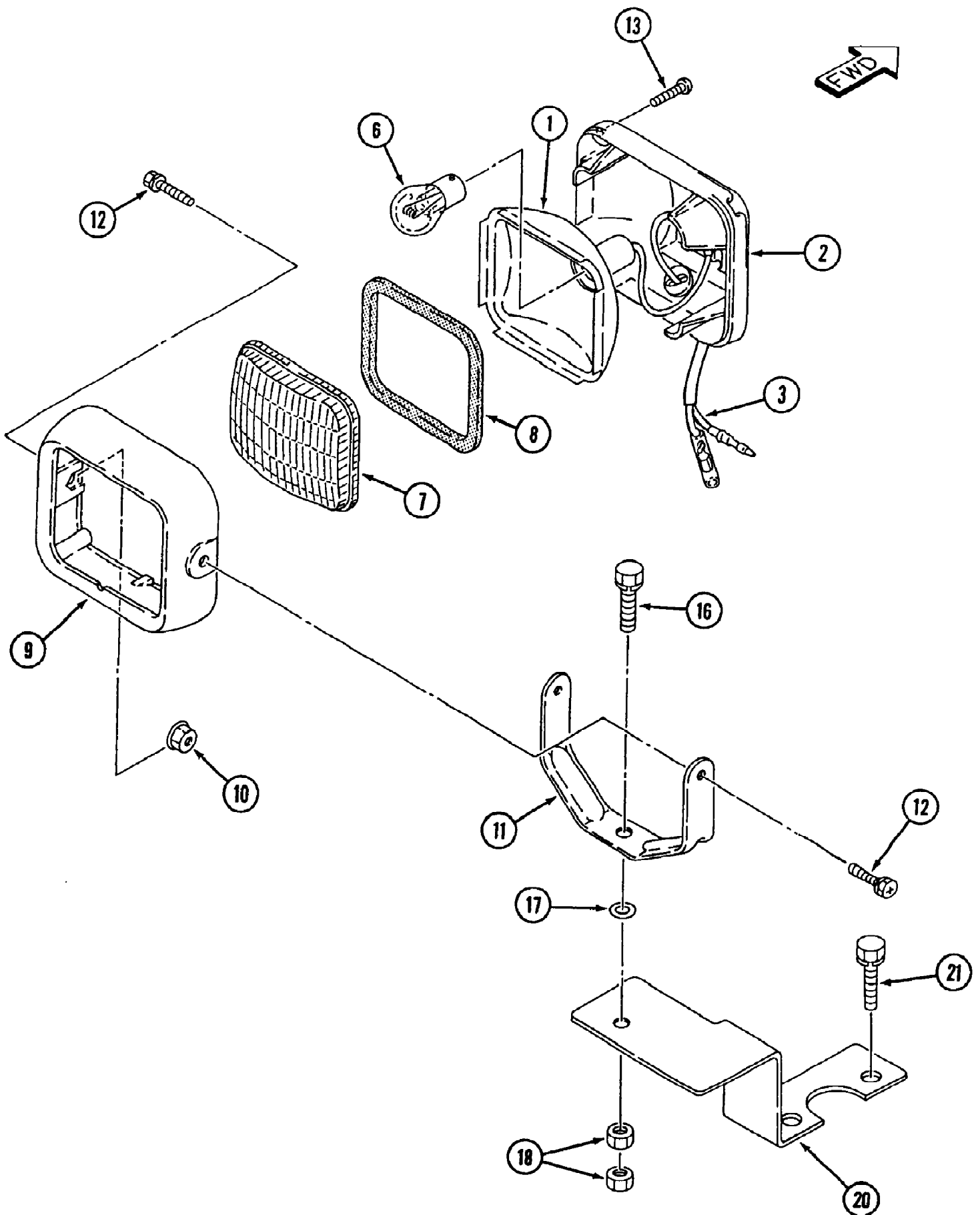


REAR WHEEL



7234 Tractor
Wheel Mounting Hardware - MFD

Ref #	Part Number	Qty	S/P/F	Description
1	MA-A0420314030	12	S	Bolt
2	MA-03550361428	12		Washer
5	MA-A0420314030	12	S	Bolt
6	MA-03550361428	12		Washer



7234 Tractor
Work Light (Part 2)

Page 200 of 200

Ref #	Part Number	Qty	S/P/F	Description
	MA-12187742000	1	/P	Work Lamp
	MA-12187743100	1	S	Body, Component
1		1		Reflector, Component
2		1		Housing, Component
3		1		Lead, Component
6	MA-09808122304	1		Bulb
7	MA-12087711100	1		Lens
8	MA-12087711300	1		Gasket
9		1		Rim
10	MA-F3000106000	2		Nut
11	MA-12087711700	1		Stay
12	MA-F1040106016	2		Bolt
13	MA-04322104020	4		Screw, Tapping
16	MA-F1540108025	1		Bolt
17	MA-03500140818	1		Washer
18	MA-A3010108002	2		Nut
20	MA-12187745AG0	1		Bracket
21	MA-F1540108012	2		Bolt