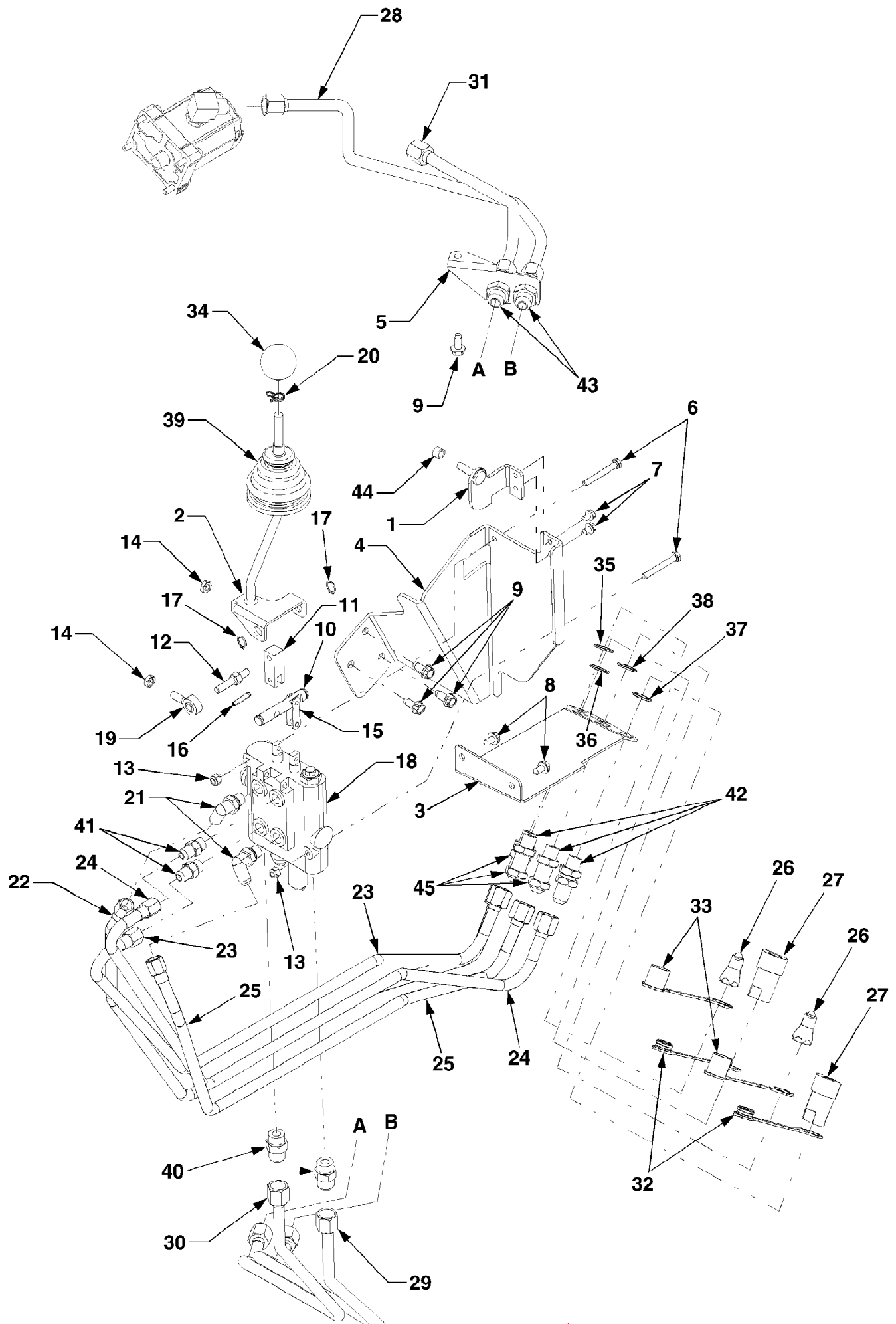


6284 Tractor
Auxiliary Hydraulic Loader Valve

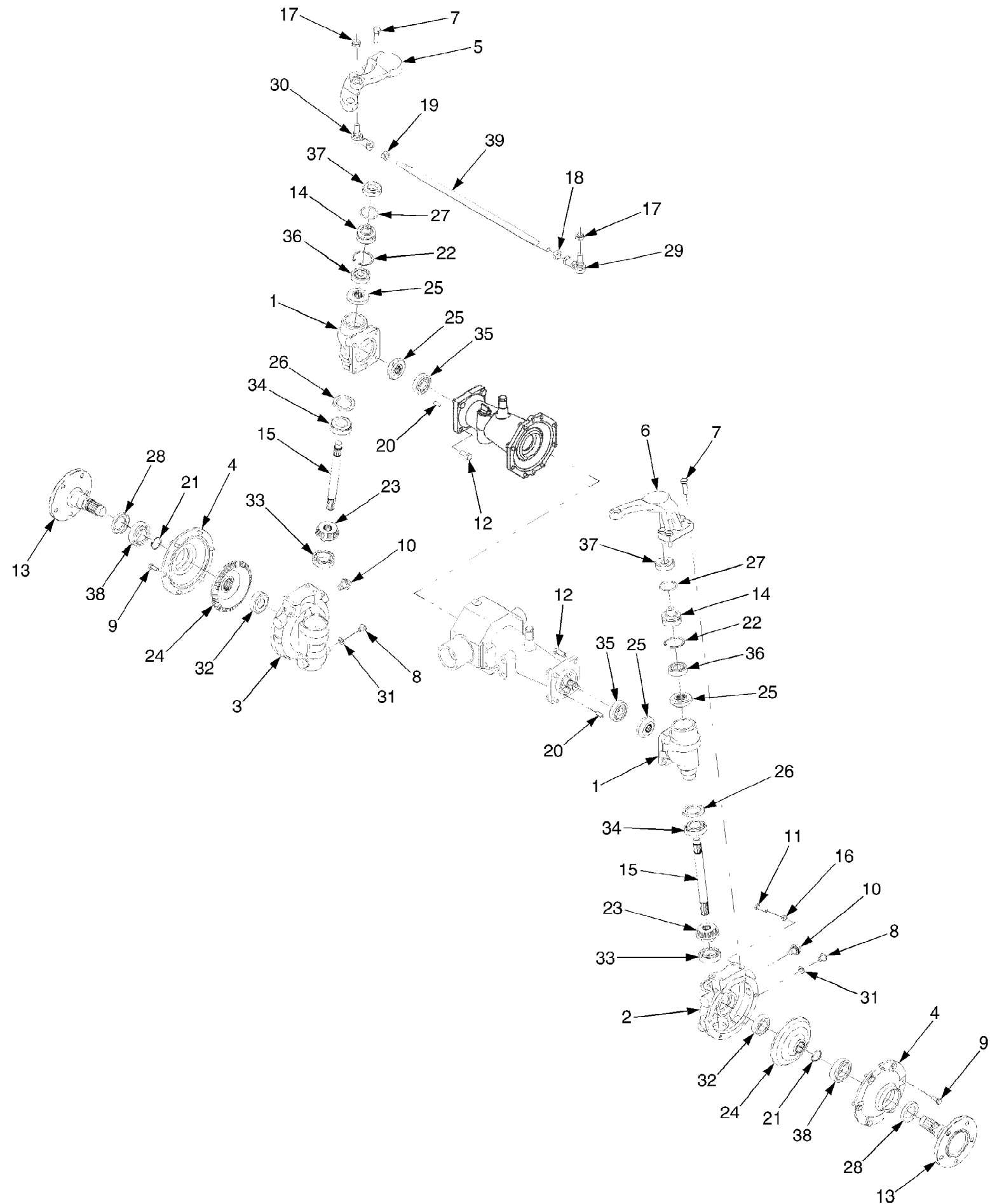


6284 Tractor
Auxiliary Hydraulic Loader Valve

| Ref # | Part Number | Qty | S/P/F | Description |
|-------|-------------|-----|-------|---|
| 1 | 603-0813A | 1 | /P | Pivot Bracket Assembly |
| 2 | 603-0862 | 1 | | Valve Handle Assembly |
| 3 | 703-05726 | 1 | | Fitting Mount Plate Original Style - Used with 727-04088, -04089, -04090, -04090 tubes and 737-3129 fittings |
| 3 | 703-05800 | 1 | | Fitting Mount Plate New Style - Used with 727-04121, -04122, -04123, 04124 tubes; 737-04108 fittings; and 712-3025 9/16-18 Jam Nuts |
| 4 | 703-3598 | 1 | S | Loader Valve Mount Bracket |
| 5 | 703-3973 | 1 | S | Rear Fitting Mount Plate |
| 6 | 710-0501 | 2 | /P | Hex Screw, 1/4-20, 2.00, Gr5 |
| 7 | 710-0599 | 2 | /P | Hex Wash. Hd. Tapp Screw 1/4-20 x .50 |
| 8 | 710-0604A | 2 | /P | Hex Wash. Hd. Tapp Screw 5/16-18 x .625 |
| 9 | 710-1260A | 4 | /P | Hex Wash. Hd. Tapp Screw 5/16-18 x .75 |
| 10 | 711-1611 | 1 | | Valve Pivot Shaft |
| 11 | 711-1624A | 1 | | Valve Spool Link |
| 12 | 711-1637 | 1 | | Ball Joint Pivot Stud |
| 13 | 712-04064 | 2 | /P | Hex Insert Flange Lock Nut 1/4-20, GrF |
| 14 | 712-3025 | 2 | | Jam Nut, 5/16-24, Gr5 |
| 15 | 713-3000 | 1 | S | Chain Link |
| 16 | 715-0120 | 1 | S | Spirol Pin, 3/16 x 1.0 |
| 17 | 716-0865 | 2 | /P | Snap Ring, .5 |
| 18 | 718-3140 | 1 | | Loader Control Valve |
| 19 | 723-0488 | 1 | S | Ball Joint, .3125 ID x 5/16-24 |
| 20 | 726-04046 | 1 | | Clamp, Hose |
| 21 | 727-3012 | 2 | /P | Fitting, 90 6-6 Orb |
| 22 | 727-04088 | 1 | S | Tube, Hydraulic - Boom Lift - Original Style |
| 22 | 727-04124 | 1 | | Tube, Hydraulic - Boom Lift - New Style |
| 23 | 727-04089 | 1 | S | Tube, Hydraulic - Boom Lower - Original Style |
| 23 | 727-04123 | 1 | | Tube, Hydraulic - Boom Lower - New Style |
| 24 | 727-04090 | 1 | S | Tube, Hydraulic - Bucket Rollback - Original Style |
| 24 | 727-04121 | 1 | | Tube, Hydraulic - Bucket Rollback - New Style |
| 25 | 727-04091 | 1 | S | Tube, Hydraulic - Bucket Dump - Original Style |
| 25 | 727-04122 | 1 | | Tube, Hydraulic - Bucket Dump New Style |
| 26 | 727-3224 | 2 | | Coupling, Male Hydraulic, 3/8-18 |
| 27 | 727-3225 | 2 | | Coupling, Female Hydr. 3/8-18 |
| 28 | 727-3226 | 1 | | Tube, Auxiliary Pump Pressure |
| 29 | 727-3227 | 1 | | Tube, Valve Pressure |
| 30 | 727-3228 | 1 | | Tube, Valve Return |
| 31 | 727-3229 | 1 | | Tube, Valve Return |
| 32 | 727-3261 | 2 | | Plug, Hydraulic Coupler - Male |
| 33 | 727-3262 | 2 | /P | Plug, Hydraulic Coupler - Female |
| 34 | 731-3353 | 1 | | Knob, 1.625 Dia x 3/8-16 Thd |
| 35 | 731-3374 | 1 | /P | Washer, Indicator - Red |
| 36 | 731-3375 | 1 | /P | Washer, Indicator - Yellow |
| 37 | 731-3376 | 1 | /P | Washer, Indicator - Green |
| 38 | 731-3377 | 1 | /P | Washer, Indicator - Blue |
| 39 | 735-0696 | 1 | | Joystick Boot |
| 40 | 737-3112 | 2 | | Fitting, Straight - 8 Orb |
| 41 | 737-3125 | 2 | | Fitting, Straight - 6 Orb |

6284 Tractor
Auxiliary Hydraulic Loader Valve

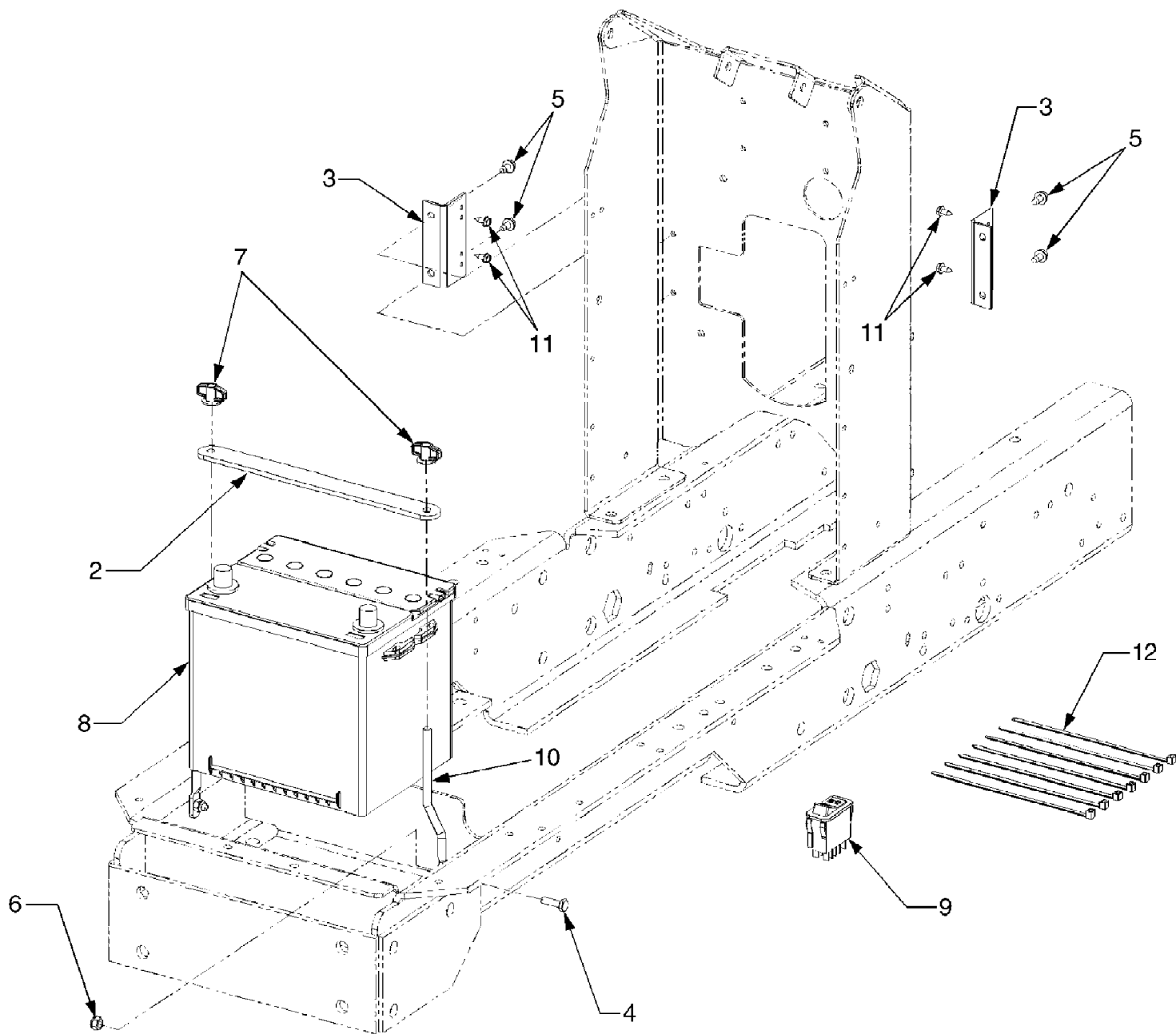
| Ref # | Part Number | Qty | S/P/F | Description |
|-------|-------------|-----|-------|--|
| 42 | 737-3129 | 4 | | Fitting, Bulkhead w/ Jam Nut, 3/4-16 x 3/8-18 - Original Style |
| 42 | 737-04108 | 1 | | Fitting, Bulkhead 9/16-18 x 3/8-18 New Style used with Nut Jam, 712-3035 9/16-18 Gr5 |
| 43 | 737-3130 | 2 | | Fitting, Bulkhead 3/4-16 x 3/4-16 |
| 44 | 750-0845 | 1 | S | Spacer, .34 ID x .5 OD x .31 |
| 45 | 712-3035 | 4 | /P | Nut, Jam, 9/16-18 Gr5 - New Style |



| Ref # | Part Number | Qty | S/P/F | Description |
|-------|-------------|-----|-------|--|
| 1 | 619-04017A | 2 | S | Housing, Kingpin |
| 1 | 759-3958 | 1 | | Sealant, Loctite(R) Black, 5.3 oz. not shown |
| 2 | 619-04020A | 1 | S | Housing, Axle Drop, RH |
| 3 | 619-04021A | 1 | S | Housing, Axle Drop, LH |
| 4 | 619-04024A | 2 | S | Cover, Axle |
| 5 | 619-04027A | 1 | S | Arm, Steering, LH |
| 6 | 619-04028A | 1 | S | Arm, Steering, RH |
| 7 | 710-1313 | 8 | /P | Screw, Hex Cap, M10-1.5 x 35 GR8.8 |
| 8 | 710-1323 | 2 | | Plug, Hex, 3/8-16 x .5 |
| 9 | 710-1681 | 12 | /P | Screw, Hex Cap, M8-1.25 x 20 GR8.8 |
| 10 | 710-1633 | 2 | | Plug, Screw, M14-1.5 x .827 |
| 11 | 710-1683 | 2 | /P | Screw, Hex Cap, M8-1.25 x 30 |
| 12 | 710-04655 | 8 | | Screw, Hex Lock, M10-1.5 x 30 |
| 13 | 711-04141A | 2 | S | Axle, Flange |
| 14 | 711-04104 | 2 | S | Shaft, Stub |
| 15 | 711-04106 | 2 | S | Shaft, Kingpin |
| 16 | 712-0690 | 2 | /P | Nut, Hex, M8-1.25 |
| 17 | 712-3103 | 2 | | Nut, Hex Flange Lock, M12-1.75 |
| 18 | 712-3104 | 1 | | Nut, Hex, M12-1.75 RH Thrd. |
| 19 | 712-3105 | 1 | | Nut, Hex, M12-1.75 LH Thrd. |
| 20 | 715-04014 | 2 | S | Pin, Dowel, 8mm x 20mm |
| 21 | 716-0201 | 2 | | Ring, Retaining |
| 22 | 716-0393 | 2 | | Ring, Retaining |
| 23 | 717-04040 | 2 | S | Gear, Bevel, 13T |
| 24 | 717-04041 | 2 | S | Gear, Bevel, 34T |
| 25 | 717-04045 | 4 | S | Gear, Bevel, 14T |
| 26 | 721-04087 | 2 | | Seal, Oil, 38mm x 55mm x 7mm |
| 27 | 721-04066 | 2 | S | O-Ring, 40mm x 3mm |
| 28 | 721-0497 | 2 | | Seal, Oil, 35mm x 55mm x 8mm |
| 29 | 723-0462 | 1 | | Ball Joint, 12-1.75 RH |
| 30 | 723-0463 | 1 | | Ball Joint, 12-1.75 LH |
| 31 | 736-0567 | 2 | /P | Washer, Flat, .39 x .75 x .062 |
| 32 | 741-0301 | 2 | S | Bearing, Ball |
| 33 | 741-04034 | 2 | S | Bearing, Ball |
| 34 | 741-04043 | 2 | S | Bearing, Tapered Roller w/ Race |
| 35 | 741-04044 | 2 | S | Bearing, Ball |
| 36 | 741-04068 | 2 | S | Bearing, Ball |
| 37 | 741-0919 | 2 | S | Bearing, Ball |
| 38 | 741-3033A | 2 | S | Bearing, Ball |
| 39 | 747-04134 | 1 | S | Rod, Tie, M12-1.75 |



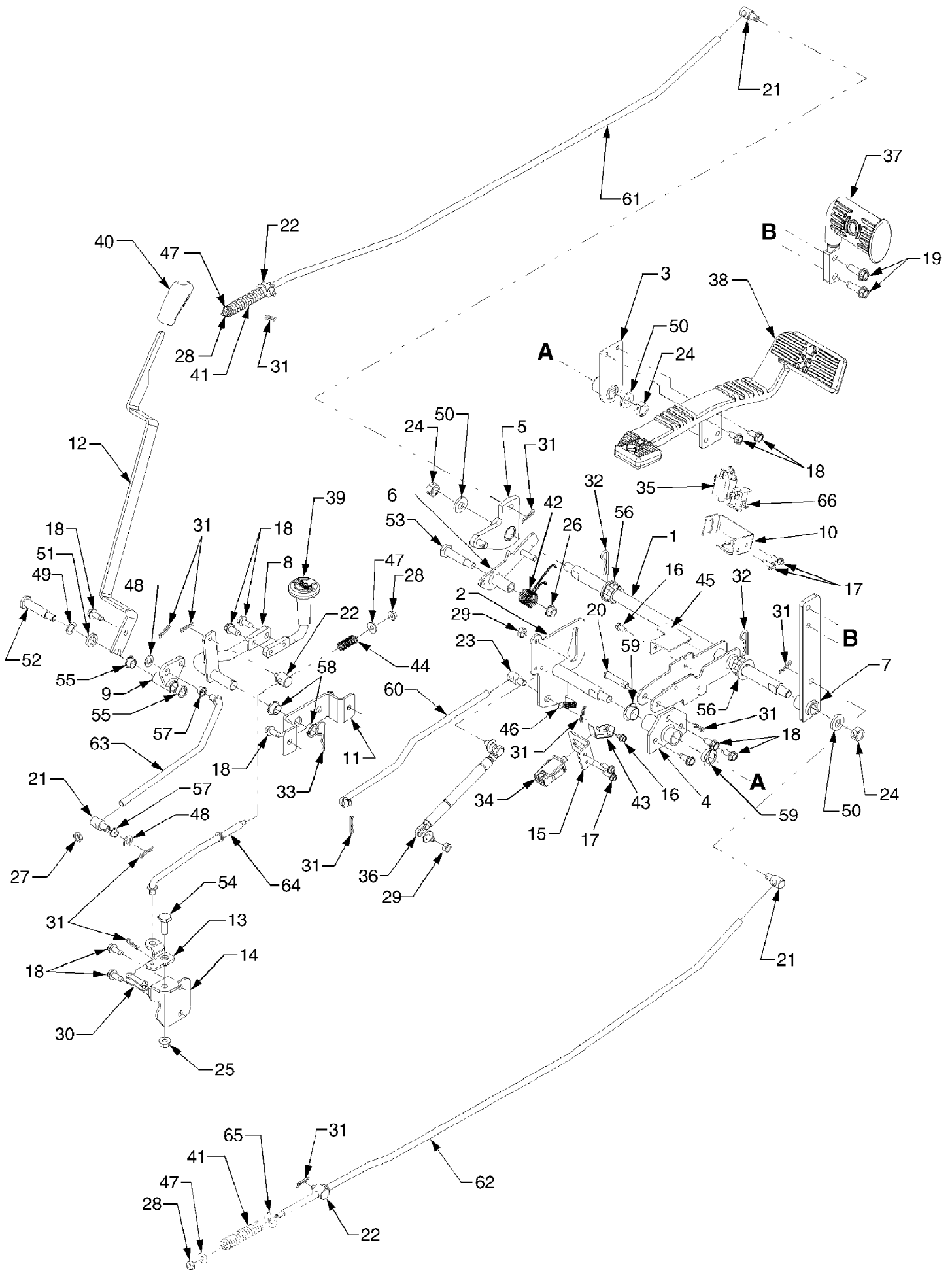
| Ref # | Part Number | Qty | S/P/F | Description |
|-------|-------------|-----|-------|--------------------------------------|
| 1 | 603-04059 | 1 | S | Bracket, Front Axle Mtg. - Rear |
| 1 | 741-04036 | 1 | S | Bearing, Sleeve not shown |
| 2 | 603-04058 | 1 | S | Bracket, Front Axle Mtg. - Front |
| 2 | 741-04037 | 1 | S | Bearing, Sleeve not shown |
| 3 | 619-04009A | 1 | S | Housing, Main Axle RH |
| 4 | 619-04120 | 1 | S | Housing, Differential |
| 5 | 619-04019A | 1 | S | Housing, Axle LH |
| 6 | 710-1313 | 2 | /P | Screw, Hex Cap, M10-1.5 x 35 GR8.8 |
| 7 | 710-1682 | 8 | | Screw, Hex Cap, M8-1.25 x 25 GR8.8 |
| 8 | 710-3175 | 6 | /P | Screw, Hex Cap, M8-1.25 x 14 GR8.8 |
| 9 | 710-1633 | 1 | | Plug, Screw, M14-1.5 x .827 |
| 10 | 710-04655 | 8 | | Screw, Hex Lock, M10-1.5 x 30 |
| 11 | 711-04140 | 1 | S | Shaft, Input, 6T |
| 12 | 711-04384 | 1 | S | Shaft, Cross |
| 13 | 711-04107 | 2 | S | Shaft, Axle |
| 14 | 712-04043 | 1 | /P | Nut, Special, 24mm |
| 15 | 715-04014 | 4 | S | Pin, Dowel, 8mm x 20mm |
| 16 | 716-04045 | 1 | | Ring, Internal Retaineng, 14mm |
| 17 | 717-04064 | 1 | S | Gear, Bevel, 34T |
| 18 | 717-04046 | 2 | S | Gear, Miter, 10T |
| 19 | 717-04047 | 2 | S | Gear, Miter, 16T |
| 20 | 721-04056 | 1 | S | Seal, Oil, 52mm x 35mm x 10mm |
| 21 | 721-04067 | 1 | S | O-Ring, 19mm x 3mm |
| 22 | 731-04336 | 1 | S | Dipstick, Front Axle |
| 22 | 721-04058 | 1 | | Seal, Washer not shown |
| 23 | 736-0264 | 6 | S | Washer, Flat, .33 x .63 x .0635 |
| 24 | 736-0287 | 1 | S | Washer, Flat, .793 x 1.24 x .06 Hdn. |
| 25 | 736-04098 | 2 | S | Washer, Special Spherical |
| 26 | 736-0562 | 1 | S | Washer, Flat, .793 x 1.37 x .005 AR |
| 26 | 736-0563 | 1 | | Washer, Flat, .793 x 1.37 x .010 AR |
| 26 | 736-0564 | 1 | | Washer, Flat, .793 x 1.37 x .015 AR |
| 26 | 736-0565 | 1 | | Washer, Flat, .793 x 1.37 x .020 AR |
| 26 | 736-0566 | 1 | | Washer, Flat, .793 x 1.37 x .025 AR |
| 27 | 741-04038 | 1 | S | Washer, Thrust, 1.66 x 2.59 x .059 |
| 28 | 741-04039 | 1 | S | Washer, Thrust, 1.03 x 1.73 x .059 |
| 29 | 741-04042 | 2 | S | Bearing, Tapered Roller w/ Race |
| 30 | 741-04044 | 2 | S | Bearing, Ball |
| 31 | 741-04045 | 1 | S | Bearing, Ball |
| 32 | 741-04046 | 1 | S | Bearing, Ball |
| 33 | 750-04133 | 2 | S | Spacer, 20 x 25 x 16mm |
| 34 | 750-04164A | 1 | S | Spacer, 25 x 35 x 12mm |
| 35 | 750-0750 | 2 | S | Spacer, .5 x .75 x .86 |
| | 737-3065 | 1 | /P | Oil, 85W-140 2.5 qt., not shown |



6284 Tractor
Battery And Electrical

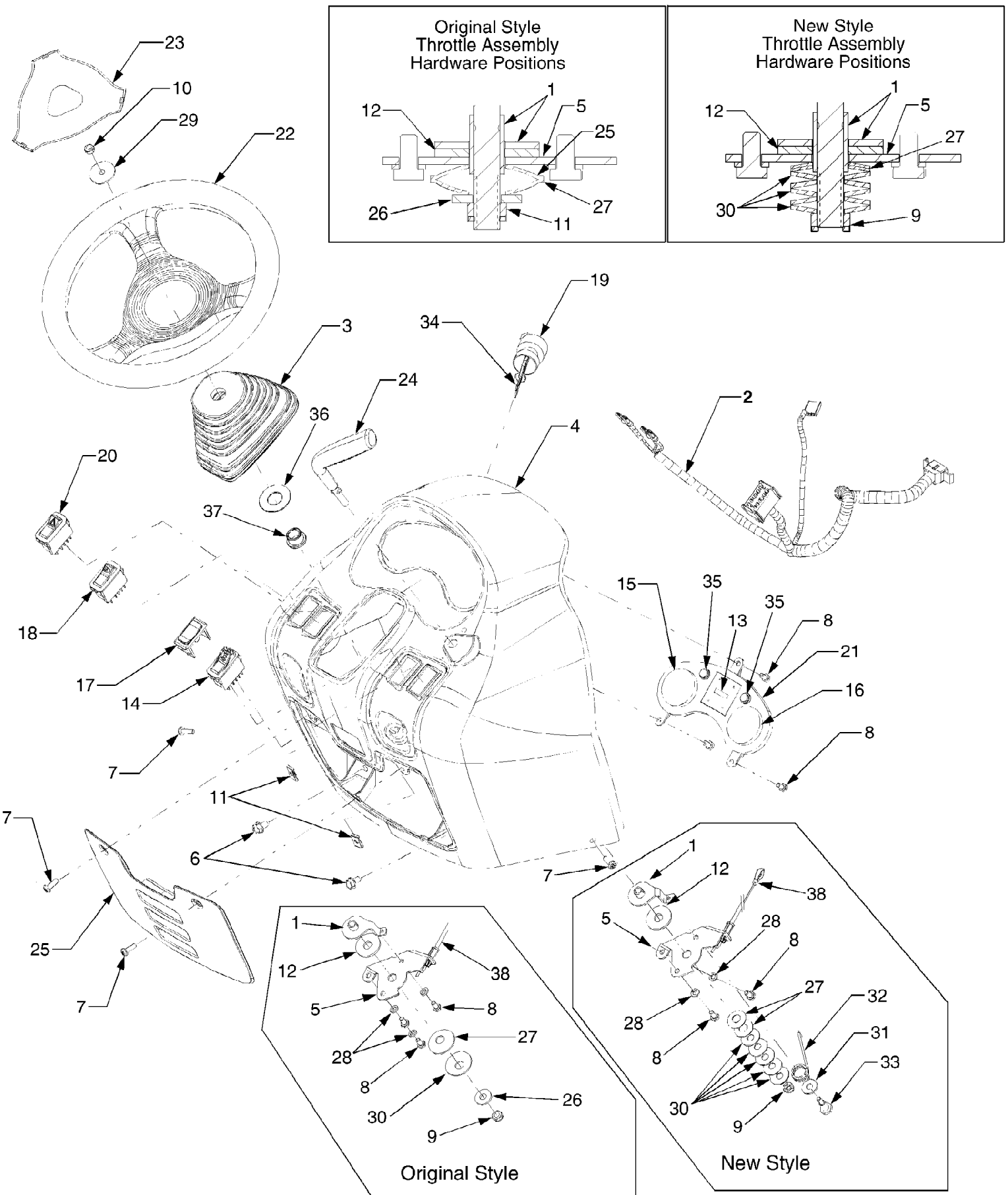
Page 9 of 70

| Ref # | Part Number | Qty | S/P/F | Description |
|-------|---------------|-----|-------|-------------------------------------|
| | 629-04135 | 1 | S | Harness, Main Wire Not Shown |
| 2 | 703-4104-0637 | 1 | /P | Strap, Battery Holddown |
| 3 | 703-05695 | 2 | | Bracket, Relay Mounting |
| 4 | 710-0206 | 2 | /P | Screw, Hex Cap, 1/4-10 x .875 GR5 |
| 5 | 710-0599 | 4 | /P | Screw, Hex Wash Hd. Tapp 1/4-20 x 5 |
| 6 | 712-0324 | 2 | /P | Nut, Hex Nylon Insert Lock, 1/4-20 |
| 7 | 712-0421 | 2 | | Nut, Wing w/Bell Washer, 5/16-18 |
| 8 | 725-3174 | 1 | S | Battery, 500 cca Dry |
| 9 | 725-3273 | 1 | | Switch, PTO Reverse |
| 10 | 747-3433 | 2 | | Rod, Battery Hold down |
| 11 | 710-0224 | 4 | S | Screw, Hex Tapp, #10-16 x .5 |
| 12 | 725-0157 | 7 | /P | Tie , Cable |



| Ref # | Part Number | Qty | S/P/F | Description |
|-------|-------------|-----|-------|---------------------------------------|
| 1 | 603-0671 | 1 | | Shaft Assembly, Brake |
| 2 | 603-0672A | 1 | /P | Shaft Assembly, Forward |
| 3 | 603-0673A | 1 | | Link Assembly, Pedal |
| 4 | 603-0674A | 1 | | Plate, Bearing |
| 5 | 603-0678 | 1 | | Link Assembly, Brake LH |
| 6 | 603-0679A | 1 | | Link Assembly, Parking Brake |
| 7 | 603-0680 | 1 | | Link Assembly, Brake RH |
| 8 | 603-0749 | 1 | | Shaft Assembly, Differential |
| 9 | 603-0770 | 1 | | Link, PTO Select |
| 10 | 703-05717 | 1 | S | Bracket, Switch Mounting |
| 11 | 703-3541 | 1 | | Bracket, Differential Pivot |
| 12 | 703-3571A | 1 | S | Handle, PTO |
| 13 | 703-3575 | 1 | | Link, Differential Pivot |
| 14 | 703-3582 | 1 | | Bracket, Diff. Actuator Mtg. |
| 15 | 703-4099 | 1 | S | Bracket, Reverse Switch |
| 16 | 710-0599 | 2 | /P | Screw, Hex Wash Hd Tapp 1/4-20 x .5 |
| 17 | 710-0642 | 4 | /P | Screw, Hex Wash Hd Tapp 1/4-20 x .75 |
| 18 | 710-1260A | 12 | /P | Screw, Hex Wash Hd Tapp 5/16-18 x .75 |
| 19 | 710-0654A | 2 | /P | Screw, Hex Wash Hd Tapp 3/8-16 x 1.0 |
| 20 | 711-0415 | 1 | S | Pin, Clevis, 3/8 x 1.75 |
| 21 | 711-0723A | 3 | S | Ferrule, 3/8-24 x .375 Dia. Hdn |
| 22 | 711-1362 | 3 | | Ferrule, Brake |
| 23 | 711-3397 | 1 | | Ferrule, 3/8-24 x .37 |
| 24 | 712-0239 | 3 | S | Nut, Hex Lock, 1/2-20 |
| 25 | 712-0379 | 1 | /P | Nut, Hex Flange Lock, 3/8-24 |
| 26 | 712-0431 | 1 | S | Nut, Hex Flange Lock, 3/8-16 |
| 27 | 712-0711 | 1 | /P | Nut, Hex Jam, 3/8-24 |
| 28 | 712-3027 | 3 | S | Nut, Hex Flange Lock, 1/4-20 |
| 29 | 712-3077 | 2 | /P | Nut, Hex, M8 x 1.25 GR8.8 |
| 30 | 713-3000 | 1 | S | Link, Chain |
| 31 | 714-0104 | 11 | S | Pin, Internal Cotter |
| 32 | 714-0147 | 2 | /P | Pin, Internal Cotter |
| 33 | 714-3020 | 1 | /P | Pin, Internal Cotter |
| 34 | 725-3164A | 1 | S | Switch, Plunger |
| 35 | 725-04232 | 1 | | Switch, 3-Pole Plunger - Brake |
| 36 | 727-04033 | 1 | S | Cylinder, Damper |
| 37 | 731-3296 | 1 | | Pedal, Brake |
| 38 | 731-3299A | 1 | | Pedal, Forward/Reverse |
| 39 | 731-3320 | 1 | | Pedal, Differential |
| 40 | 731-3321 | 1 | | Grip, Handle |
| 41 | 732-0324 | 2 | | Spring, Compression |
| 42 | 732-0756A | 1 | S | Spring, Torsion |
| 43 | 732-0859A | 1 | /P | Spring, Rev/No Cut |
| 44 | 732-3065 | 1 | | Spring, Compression |
| 45 | 703-05718 | 1 | S | Bracket, Switch Actuator |
| 46 | 732-3118 | 1 | | Spring, Extension |
| 47 | 736-0173 | 3 | /P | Washer, Flat, .28 x .74 x .063 |
| 48 | 736-0185 | 2 | S | Washer, Flat, .375 x .738 x .063 |
| 49 | 736-0232 | 1 | S | Washer, Wave, .53 x .78 x .013 |
| 50 | 736-3019 | 3 | | Washer, Flat, .53 x .1.06 x .134 |
| 51 | 736-3069 | 1 | | Washer, Flat, .53 x .875 x .15 |
| 52 | 738-0509 | 1 | | Screw, Shoulder, .50 x 1.825 |
| 53 | 738-0533 | 1 | S | Screw, Shoulder, .498 x 1.635 |

| Ref # | Part Number | Qty | S/P/F | Description |
|-------|-------------|-----|-------|-------------------------------------|
| 54 | 738-0689 | 1 | S | Screw, Shoulder 1/2 x .180: 3/8-24 |
| 55 | 741-0491 | 2 | | Bearing, Nylon. .50 ID x .341 |
| 56 | 741-0598 | 2 | S | Bearing, Hex Flange, .752 ID |
| 57 | 741-3073 | 2 | S | Bearing, Flange, .375 x .58 x .25 |
| 58 | 741-3074 | 2 | | Bearing, Flange .626 x .938 x .344 |
| 59 | 741-3084 | 2 | | Bearing, Flange .751 x 1.125 x .375 |
| 60 | 747-3396 | 1 | | Rod, Hydro Control |
| 61 | 747-3399 | 1 | S | Rod, Brake, LH |
| 62 | 747-3400 | 1 | | Rod, Brake, RH |
| 63 | 747-3414 | 1 | | Rod, PTO Control |
| 64 | 747-3428 | 1 | | Rod, Diff. Lock Control |
| 65 | 736-3072 | 2 | /P | Washer, Flat, .38 x .93 x .11 HT |
| 66 | 725-3167 | 1 | S | Switch, Brake Light |

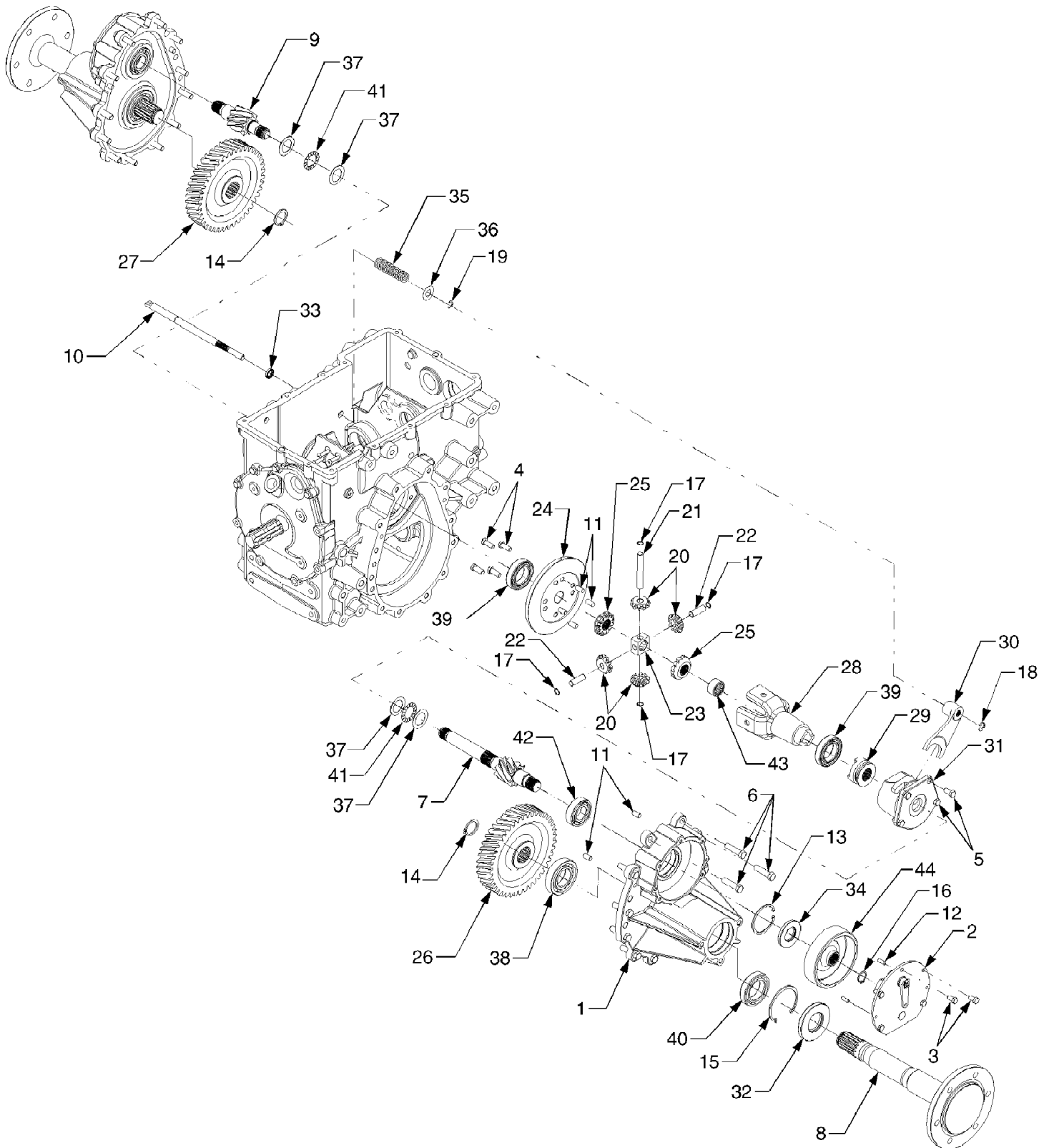


6284 Tractor
Dash Panel And Steering Wheel

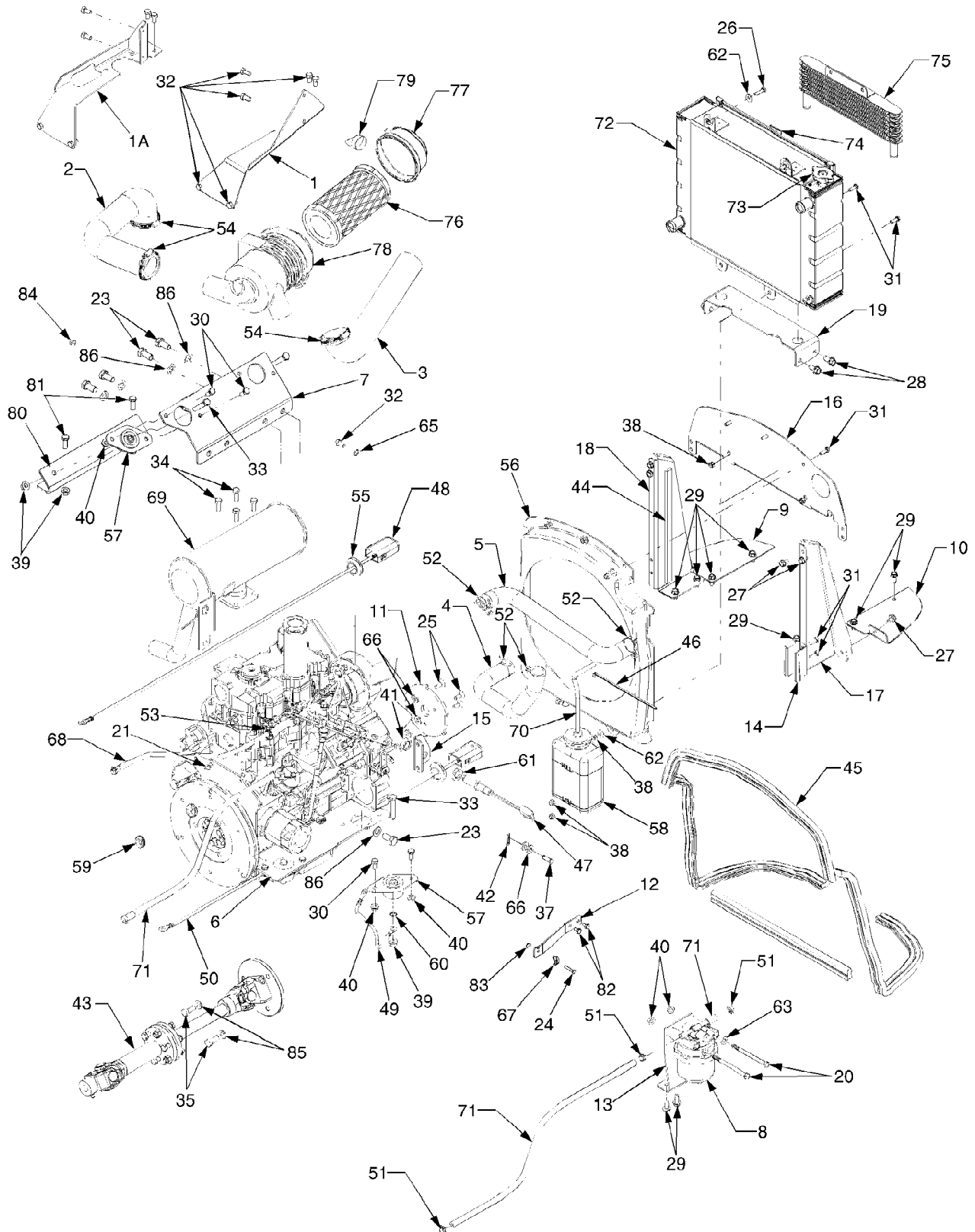
| Ref # | Part Number | Qty | S/P/F | Description |
|-------|-------------|-----|-------|--|
| 1 | 603-0711A | 1 | S | Bracket, Throttle Cable - Original Style |
| 1 | 603-04305 | 1 | /P | Bracket, Throttle Cable - New Style |
| 2 | 629-04112 | 1 | | Wire Harness, Dash |
| 3 | 631-0076 | 1 | | Boot, Steering Shaft |
| 4 | 631-04007B | 1 | S | Dash |
| 5 | 703-05132A | 1 | /P | Bracket, Throttle Mounting |
| 6 | 710-0604A | 2 | /P | Screw, Hex Wash. Hd. Tapp 5/16-18 x .625 |
| 7 | 710-0924 | 4 | /P | Screw, Pan Hd., 1/4-20 x .75 |
| 8 | 710-3013 | 5 | /P | Screw, Hex Cap, 1/4-20 x .5 GR5 |
| 9 | 712-0116 | 1 | S | Nut, Hex Insert Jam Lock, 3/8-24 .. |
| 10 | 712-0237 | 1 | S | Nut, Hex Lock, 5/16-24 |
| 11 | 712-0292 | 2 | /P | Nut, Speed, 1/4-20 |
| 12 | 723-3013 | 1 | S | Washer, Friction, .515 x 1.5 x .12 |
| 13 | 725-04022B | 1 | S | Meter, Hour/Indicator |
| 14 | 725-04076 | 1 | S | Switch, PTO |
| 15 | 725-04241 | 1 | | Gauge, Fuel |
| 16 | 725-04242 | 1 | | Gauge, RPM |
| 17 | 725-2017 | 1 | | Plug |
| 18 | 725-3274 | 1 | | Switch, Headlight |
| 19 | 725-3277 | 1 | S | Switch, Ignition |
| 20 | 725-3279B | 1 | /P | Switch, Hazard |
| 21 | 731-05066 | 1 | | Panel, Meter |
| 21 | 777I22460 | 1 | | Graphic, Panel not shown |
| 22 | 731-3209 | 1 | | Steering Wheel, Soft Grip |
| 23 | 731-3210 | 1 | | Cover, Steering Wheel |
| 24 | 731-3298 | 1 | | Handle, Throttle |
| 25 | 731-3344 | 1 | | Panel, Dash Insert |
| 26 | 736-3052 | 1 | /P | Washer, Flat, .406 x 1.0 x .105 Used Only with original style throttle control assembly |
| 27 | 736-0112 | 1 | /P | Washer, Belleville, .531 x 1.62 x .045 Used Only with original style throttle control assembly |
| 27 | 736-0255 | 2 | S | Washer, Belleville, .51 x 1.14 x .04 Used Only with new style throttle control assembly |
| 28 | 736-0329 | 2 | S | Washer, Lock, 1/4 |
| 29 | 736-04062 | 1 | S | Washer, Flat, .344 x 1.5 x .1 |
| 30 | 736-04164 | 1 | | Washer, Spher., .39 x 1.62 x .045 Used Only with original style throttle control assembly |
| 30 | 736-0331 | 5 | /P | Washer, Belleville, .39 x 1.13 x .062 Used Only with new style throttle control assembly |
| 31 | 736-3072 | 1 | /P | Washer, Flat, .38 x .93 x .110 Hdn Used Only with new style throttle control assembly |
| 32 | 732-04288 | 1 | | Spring, Torsion Used Only with new style throttle control assembly |
| 33 | 738-04170 | 1 | | Screw, Shoulder, .374 x .56 Used Only with new style throttle control assembly |
| 34 | 759-3950 | 1 | S | Key Set, Ingition |
| 35 | 725-04243 | 2 | S | Lamp, Yellow Panel - Original Style |
| 35 | 725-04288 | 2 | S | Lamp, Yellow Panel - New Style |

6284 Tractor
Dash Panel And Steering Wheel

| Ref # | Part Number | Qty | S/P/F | Description |
|-------|-------------|-----|-------|----------------------------------|
| 36 | 736-0514 | 1 | S | Washer, Flat, .885 x1.85 x .06 |
| 37 | 748-0176 | 1 | | Bearing, Flange, .63 ID x .62 LG |
| 38 | 746-04126 | 1 | | Cable, Throttle |
| | 725-04218 | 1 | S | Glow Timer Relay not shown |



| Ref # | Part Number | Qty | S/P/F | Description |
|-------|-------------|-----|-------|---|
| 1 | 619-3060A | 2 | S | Housing, Axle |
| 2 | 661-3014 | 2 | | Brake Assembly, Drum |
| 3 | 710-0538 | 10 | /P | Screw, Hex Cap Lock, 5/16-18 x .625 GR5 |
| 4 | 710-1695B | 4 | | Screw, Socket Hd. Cap, 3/8-16 x 1.0 |
| 5 | 710-3119 | 4 | /P | Screw, Hex Cap Lock, 3/8-16 x .75 GR5 |
| 6 | 710-3238 | 24 | | Screw, Hex Cap Lock, 7/16-14 x 1.75 GR5 |
| 7 | 711-1326 | 1 | | Shaft, Axle Stub RH |
| 8 | 711-1327 | 2 | | Shaft, Axle |
| 9 | 711-1358 | 1 | | Shaft, Axle Stub LH |
| 10 | 711-1389A | 1 | /P | Shaft, Differential Lock Actuator |
| 11 | 715-0226 | 8 | | Pin, Dowel, .3752 x .75 |
| 12 | 715-3010 | 4 | /P | Pin, Dowel, .25 x .75 |
| 13 | 716-0180 | 2 | | Ring, Retaining |
| 14 | 716-0195 | 2 | | Ring, Retaining |
| 15 | 716-0196 | 2 | | Ring, Retaining |
| 16 | 716-0390 | 2 | | Ring, Retaining |
| 17 | 716-0391 | 4 | | Ring, Retaining |
| 18 | 716-0396 | 1 | | Clip, Rotor |
| 19 | 716-0397 | 1 | /P | Ring, Retaining |
| 20 | 717-1120 | 4 | | Gear, Differential, 10T |
| 21 | 717-1173 | 1 | | Shaft, Cross |
| 22 | 717-1178 | 2 | | Shaft, Cross |
| 23 | 717-1180 | 1 | | Block, Differential Pinion |
| 24 | 717-3316 | 1 | | Gear, Bevel, 65T |
| 25 | 717-3317 | 2 | | Gear, Miter, 14T |
| 26 | 717-3471 | 1 | | Gear, Drop Axle, 42T RH |
| 27 | 717-3478 | 1 | | Gear, Drop Axle, 42T LH |
| 28 | 718-0666 | 1 | | Carrier, Differential |
| 29 | 718-3104 | 1 | | Collar, Differential Lock |
| 30 | 718-3105 | 1 | | Yoke, Differential Lock |
| 31 | 718-3112 | 1 | | Cover, Bearing |
| 32 | 721-0495 | 2 | | Seal, Oil, 50mm x 75 mm x 10mm |
| 33 | 721-0496 | 1 | | Seal, Oil |
| 34 | 721-3020A | 2 | S | Seal, Oil, 1.181 x 2.453 x .276 |
| 35 | 732-0187 | 1 | | Spring, Compression |
| 36 | 736-0355 | 1 | /P | Washer, Flat, .56 x 1.0 x .04 |
| 37 | 736-0715 | 4 | | Washer, Thrust, 1.12 x 1.75 x .03 |
| 38 | 741-0721 | 2 | /P | Bearing, Ball |
| 39 | 741-1104 | 2 | /P | Bearing, Ball |
| 40 | 741-1107 | 2 | | Bearing, Ball |
| 41 | 741-1112 | 2 | | Bearing, Thrust |
| 42 | 741-3033A | 2 | S | Bearing, Ball |
| 43 | 741-3080 | 1 | | Bearing, Needle |
| 44 | 761-3071 | 2 | | Drum, Brake |



6284 Tractor
Engine & Drive Shaft I155 and Before

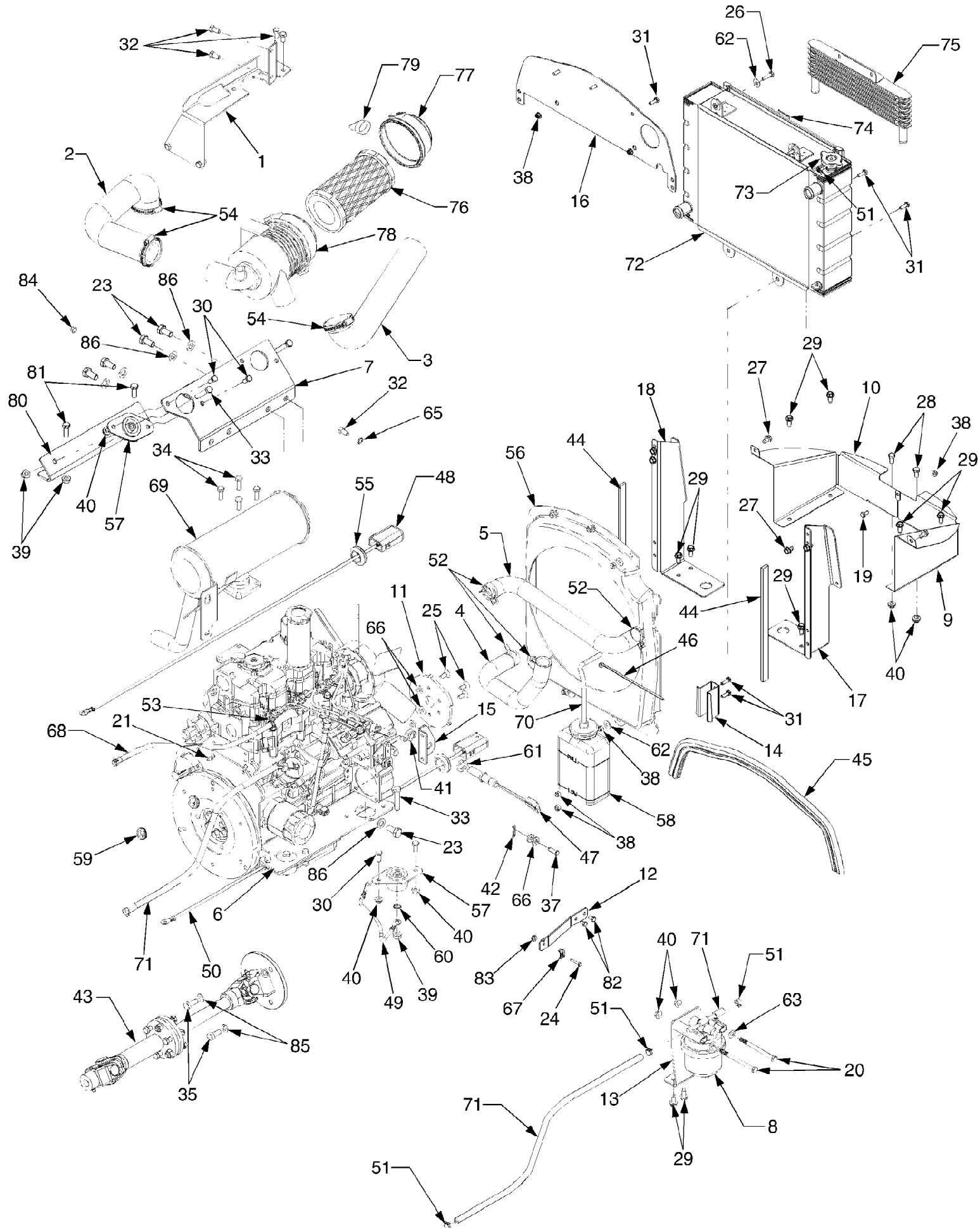
Page 19 of 70

| Ref # | Part Number | Qty | S/P/F | Description |
|-------|-----------------|-----|-------|---|
| | 629-04084 | 1 | | Harness, Engine Wire Not Shown |
| 1 | 703-05731-0637 | 1 | /P | Bracket, Air Filter Mtg. Code C315 and Before |
| 1A | 603-04311-0637 | 1 | | Bracket, Air Filter Mtg. Code D015 and After |
| 2 | 731-04695 | 1 | | Hose, Air Inlet |
| 3 | 731-04696 | 1 | | Hose, Air Filter |
| 4 | 731-04704 | 1 | | Hose, Radiator to Engine |
| 5 | 731-04706 | 1 | | Hose, Engine to Radiator |
| 6 | 703-3701-0637 | 1 | | Bracket, Engine RH |
| 7 | 703-05769-0637 | 1 | | Bracket, Engine LH |
| 8 | 651-04044 | 1 | S | Filter Assembly, Fuel |
| 8 | 759-04027 | 1 | | Filter Element Not Shown |
| 9 | 703-05140B-0637 | 1 | | Plate, Baffle RH |
| 10 | 703-05141B-0637 | 1 | | Plate, Baffle, LH |
| 11 | 703-05282A | 1 | | Plate, Engine RPM |
| 12 | 703-05765-0637 | 1 | | Bracket, Cable Mtg. |
| 13 | 703-05454 | 1 | S | Bracket, Filter Mtg. |
| 14 | 703-05461-0637 | 1 | /P | Bracket, Over Flow Bottle |
| 15 | 703-05511-0637 | 1 | /P | Bracket, Sensor Mtg. |
| 16 | 703-3483-0637 | 1 | | Plate, Radiator Baffle |
| 16 | 777S30631 | 1 | | Graphic, Fan Warning Not Shown |
| 16 | 777S30633 | 1 | | Graphic, Warning Not Shown |
| 17 | 703-3484-0637 | 1 | | Bracket, Radiator Mtg. RH |
| 17 | 777S30632 | 1 | | Graphic, Warning Not Shown |
| 18 | 703-3485-0637 | 1 | | Bracket, Radiator Mtg. LH |
| 18 | 777S30632 | 1 | | Graphic, Warning Not Shown |
| 19 | 703-3741-0637 | 1 | | Bracket, Radiator Mtg. |
| 20 | 710-0190 | 2 | /P | Screw, Hex Cap,5/16-18 x 4.0 Gr5 |
| 21 | 710-0224 | 1 | S | Screw, Hex Wash Hd Tapp 10-16 x .5 |
| 23 | 710-04177A | 12 | /P | Screw, Hex Cap,M12-1.25 x 25 GR8.8 |
| 24 | 710-1194 | 1 | | Screw, Mach. #10-24 x 1.0 GR5 |
| 25 | 710-04315 | 3 | | Screw, Countersink Torx Hd M8-1.25 x 20 |
| 26 | 710-0597 | 2 | /P | Screw, Hex Cap 1/4-20 x 1.0 Gr5 |
| 27 | 710-0607 | 6 | /P | Screw, Hex Wash Hd Tapp 5/16-18 x .5 |
| 28 | 710-0623 | 4 | /P | Screw, Hex Wash Hd Tapp 3/8-16 x .75 |
| 29 | 710-1260A | 10 | /P | Screw, Hex Wash Hd Tapp 5/16-18 x .75 |
| 30 | 710-3008 | 8 | /P | Screw, Hex Cap 5/16-18 x .75 GR5 |
| 31 | 710-3015 | 7 | /P | Screw, Hex Cap 1/4-20 x .75 GR5 |
| 32 | 710-3138 | 7 | /P | Screw, Hex Cap, M8-1.25 x 16 |
| 33 | 710-3144 | 4 | /P | Screw, Hex Cap 3/8-16 x 2/0 GR5 |
| 34 | 710-3206A | 4 | /P | Screw, Hex Cap,M8-1.25 x 25 GR8.8 |
| 35 | 710-3208 | 3 | | Screw, Hex Cap, M10-1.5 x 25Gr5 |
| 37 | 711-0653 | 1 | /P | Pin, Clevis, .312 x 1.0 |
| 38 | 712-0324 | 9 | /P | Nut, Hex Insert Lock, 1/4-20 |
| 39 | 712-0431 | 6 | S | Nut, Hex Flange Lock, 3/8-16 .. |
| 40 | 712-3004A | 10 | /P | Nut, Hex Flange Lock, 5/16-18 |
| 41 | 712-3056 | 1 | /P | Nut, Jam, 5/8-18 GR5 |
| 42 | 714-0104 | 1 | S | Pin, Internal Cotter |
| 43 | 717-04162 | 1 | S | Shaft, Drive |
| 43 | 759-04059 | 1 | | Flex Drive Shaft Coupler Kit not shown |
| 44 | 722-3022 | 1 | S | Tape, Foam, .625 wide 42 inches |
| 45 | 723-3061 | 1 | | Seal, Heat Baffle 104 inches |
| 46 | 725-0157 | 1 | /P | Tie, Cable |
| 47 | 725-04212 | 1 | | Sensor, RPM |

6284 Tractor
Engine & Drive Shaft I155 and Before

Page 20 of 70

| Ref # | Part Number | Qty | S/P/F | Description |
|-------|----------------|-----|-------|-------------------------------------|
| 48 | 725-3281 | 1 | | Wire, Battery Pos. |
| 49 | 725-3283 | 1 | | Wire, Ground |
| 50 | 725-3287 | 1 | | Wire, Battery Neg. |
| 51 | 726-0205 | 7 | /P | Clamp, Hose |
| 52 | 726-04026 | 4 | | Clamp, Hose |
| 53 | 726-04041 | 1 | | Clamp, Hose |
| 54 | 726-0476 | 3 | | Clamp, Adjustable Hose |
| 55 | 731-04018 | 2 | | Grommet, Hose Guard |
| 56 | 731-04617 | 1 | | Shroud, Fan |
| 57 | 731-04667 | 4 | | Mount, Compression Engine ... |
| 58 | 731-04731 | 1 | | Container, Over Flow |
| 59 | 735-0226 | 1 | | Grommet, Rubber |
| 60 | 736-0148 | 1 | /P | Washer, External Lock, 3/8 |
| 61 | 736-0158 | 1 | S | Washer, Lock, 5/8 |
| 62 | 736-0173 | 7 | /P | Washer, Flat, .28 x .74 x .063 . |
| 63 | 736-0275 | 2 | S | Washer, Flat, .344 x .688 x .065 |
| 65 | 736-0607 | 1 | /P | Washer, External Lock, 5/16 ... |
| 66 | 736-3008 | 5 | S | Washer, Flat, .344 x .75 x .12 . |
| 67 | BS-691024 | 1 | /P | Clamp, Casing |
| 68 | 751-0535 | 1 | | Hose, Fuel Line Return 81 inches |
| 69 | 751-10048A | 1 | /P | Muffler, Engine |
| 70 | 751-0535 | 1 | | Hose, Over Flow 18 inches |
| 71 | 751-3130 | 1 | | Fuel Line, 5/16 ID 83 inches |
| 72 | 751-3165 | 1 | | Radiator |
| 72 | 722-0268 | 2 | | Grommet, Rubber Mtg. Not Shown |
| 73 | 751-3192 | 1 | S | Cap, Radiator, 13psi |
| 74 | 751-3193 | 1 | | Screen, Debris |
| 75 | 718-3132 | 1 | S | Cooler, Oil |
| 76 | 751-3194 | 1 | /P | Element, Air Cleaner |
| 77 | 751-3195 | 1 | | Cap, Air Cleaner |
| 78 | 751-10066 | 1 | S | Canister, Air Cleaner |
| 79 | 751-3197 | 1 | | Nozzle, Air Cleaner |
| 80 | 703-05759-0637 | 1 | | Bracket, Engine Mtg. |
| 81 | 710-0514 | 2 | /P | Screw, Hex Cap, 3/8-16 x 1.0 Gr5 |
| 82 | 710-3209 | 2 | | Screw, Hex Cap, M6-1.0 x 10mm GR8.8 |
| 83 | 712-0161 | 1 | /P | Nut, Hex Insert Lock, #10-24 |
| 84 | 712-0713 | 1 | | Nut, Flange Lock, M6-1.0 |
| 85 | 736-0185 | 3 | S | Washer, Flat, .375 x .738 x .063 |
| 86 | 736-0192 | 12 | S | Washer, Flat, .535 x .93 x .09 . |

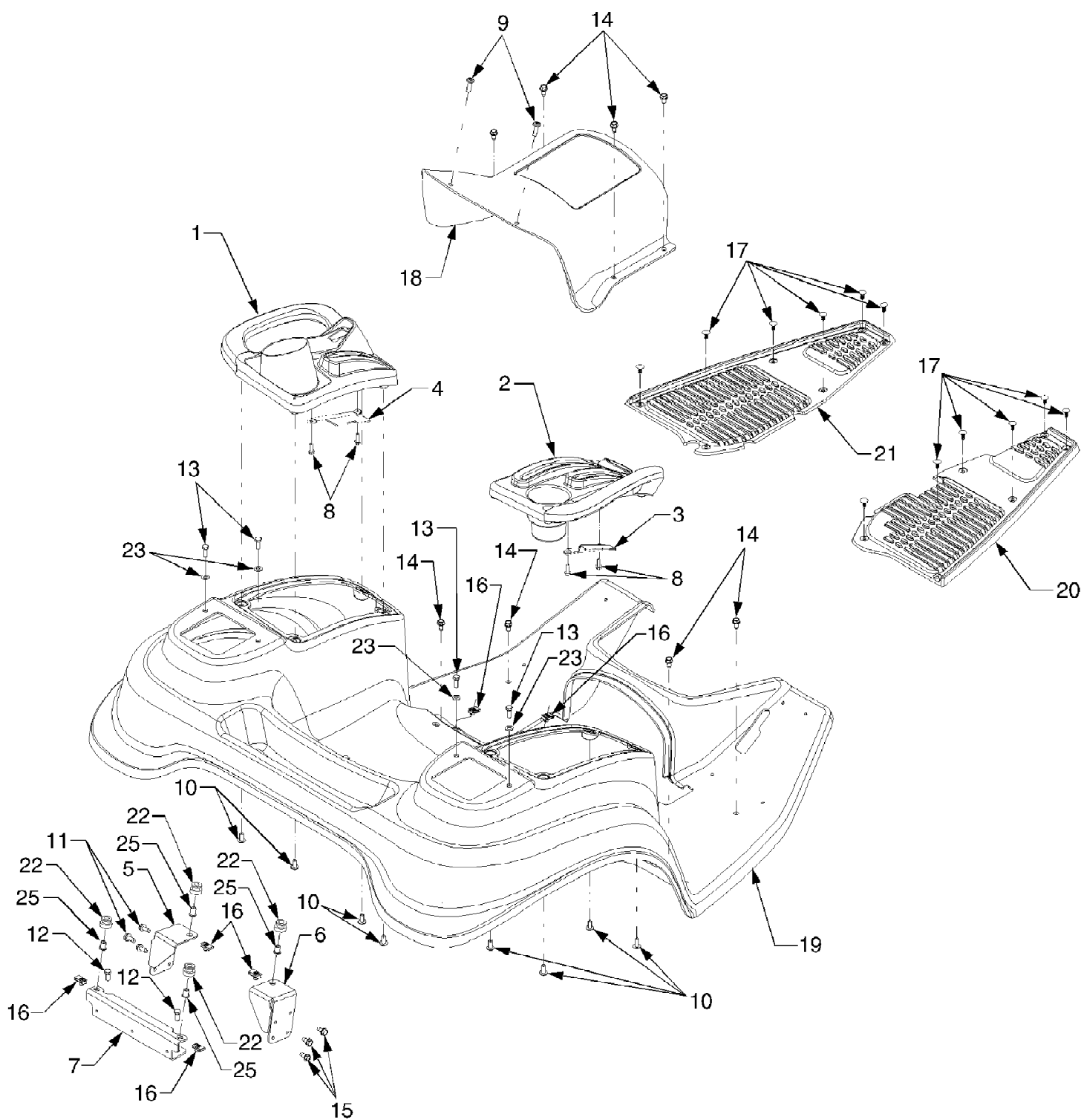


| Ref # | Part Number | Qty | S/P/F | Description |
|-------|----------------|-----|-------|---|
| 1 | 603-04311-0637 | 1 | | Bracket, Air Filter Mtg. |
| 2 | 731-04695 | 1 | | Hose, Air Inlet |
| 3 | 731-04696 | 1 | | Hose, Air Filter |
| 4 | 731-04704 | 1 | | Hose, Radiator to Engine |
| 5 | 731-04706 | 1 | | Hose, Engine to Radiator |
| 6 | 703-3701-0637 | 1 | | Bracket, Engine RH |
| 7 | 703-05769-0637 | 1 | | Bracket, Engine LH |
| 8 | 651-04044 | 1 | S | Filter Assembly, Fuel |
| 8 | 759-04027 | 1 | | Filter Element Not Shown |
| 9 | 703-05836-0637 | 1 | | Plate, Baffle RH |
| 10 | 703-05837-0637 | 1 | | Plate, Baffle, LH |
| 11 | 703-05282A | 1 | | Plate, Engine RPM 2006 & Before Approx. |
| 11 | 703-05544A | 1 | | Plate, Engine RPM 2007 & After Approx. |
| 12 | 703-05765-0637 | 1 | | Bracket, Cable Mtg. |
| 13 | 703-05454 | 1 | S | Bracket, Filter Mtg. |
| 14 | 703-05461-0637 | 1 | /P | Bracket, Over Flow Bottle |
| 15 | 703-05511-0637 | 1 | /P | Bracket, Sensor Mtg. |
| 16 | 703-3483A-0637 | 1 | | Plate, Radiator Baffle |
| 16 | 777S30631 | 1 | | Graphic, Fan Warning not shown |
| 16 | 777S30633 | 1 | | Graphic, Warning not shown |
| 17 | 703-05834-0637 | 1 | | Bracket, Radiator Support RH |
| 17 | 777S30632 | 1 | | Graphic, Warning not shown |
| 18 | 703-05835-0637 | 1 | | Bracket, Radiator Support LH |
| 18 | 777S30632 | 1 | | Graphic, Warning not shown |
| 19 | 710-3013 | 1 | /P | Screw, Hex Cap, 1/4-20 x .5 Gr5 |
| 20 | 710-0190 | 2 | /P | Screw, Hex Cap, 5/16-18 x 4.0 GR5 |
| 21 | 710-0224 | 1 | S | Screw, Hex Wash Hd Tapp 10-16 x .5 |
| 23 | 710-04177A | 12 | /P | Screw, Hex Cap, M12-1.25 x 25 GR8.8 |
| 24 | 710-1194 | 1 | | Screw, Mach. #10-24 x 1.0 GR5 |
| 25 | 710-04315 | 3 | | Screw, Countersink Torx Hd M8-1.25 x 20 |
| 26 | 710-0597 | 2 | /P | Screw, Hex Cap 1/4-20 x 1.0 GR5 |
| 27 | 710-0607 | 6 | /P | Screw, Hex Wash Hd Tapp 5/16-18 x .5 |
| 28 | 710-3025 | 2 | /P | Screw, Hex Wash Hd Tapp 3/8-16 x .75 |
| 29 | 710-1260A | 10 | /P | Screw, Hex Wash Hd Tapp 5/16-18 x .75 |
| 30 | 710-3008 | 8 | /P | Screw, Hex Cap 5/16-18 x .75 GR5 |
| 31 | 710-3015 | 7 | /P | Screw, Hex Cap 1/4-20 x .75 GR5 |
| 32 | 710-3138 | 7 | /P | Screw, Hex Cap, M8-1.25 x 16 |
| 33 | 710-3144 | 4 | /P | Screw, Hex Cap 3/8-16 x 2/0 GR5 |
| 34 | 710-3206A | 4 | /P | Screw, Hex Cap, M8-1.25 x 25 GR8.8 |
| 35 | 710-3208 | 3 | | Screw, Hex Cap, M10-1.5 x 25 GR5 |
| 37 | 711-0653 | 1 | /P | Pin, Clevis, .312 x 1.0 |
| 38 | 712-04064 | 10 | /P | Nut, Hex Inesrt Flange Lock, 1/4-20 GrF |
| 39 | 712-04065 | 6 | /P | Nut, Hex Flange Insert Lock, 3/8-16 GrF |
| 40 | 712-04063 | 12 | /P | Nut, Hex Flange Lock, 5/16-18 GrF |
| 41 | 712-3056 | 1 | /P | Nut, Jam, 5/8-18 GR5 |
| 42 | 714-0104 | 1 | S | Pin, Internal Cotter |
| 43 | 717-04162 | 1 | S | Shaft, Drive |
| 43 | 759-04059 | 1 | | Flex Drive Shaft Coupler Kit not shown |
| 44 | 722-3022 | 1 | S | Tape, Foam, .625 wide 42in. |
| 45 | 723-3061 | 25 | | Seal, Heat Baffle |
| 46 | 725-0157 | 1 | /P | Tie, Cable |
| 47 | 725-04212 | 1 | | Sensor, RPM |
| 48 | 725-3281 | 1 | | Wire, Battery Pos. |

6284 Tractor
Engine & Drive Shaft I165 and After

Page 23 of 70

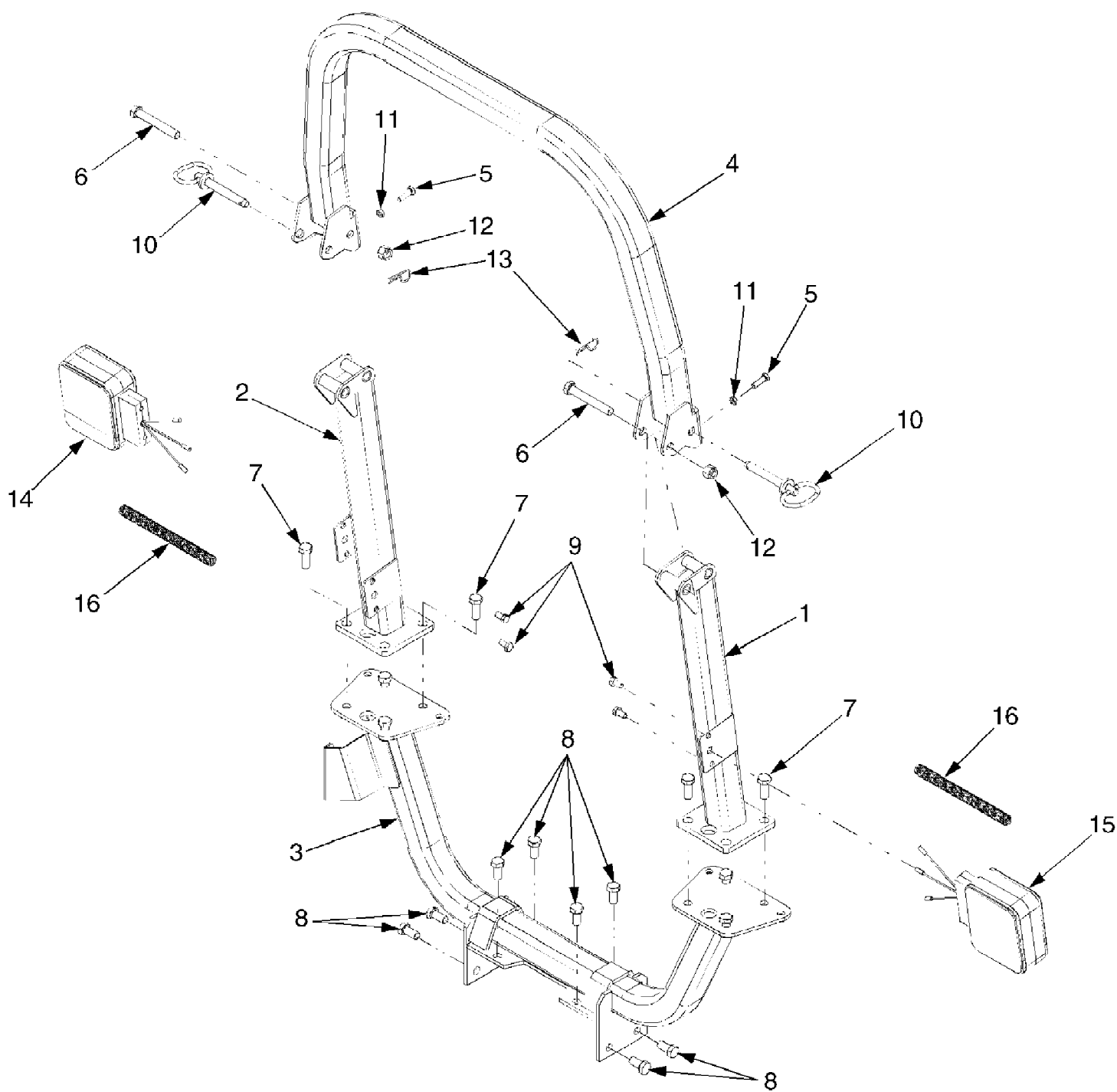
| Ref # | Part Number | Qty | S/P/F | Description |
|-------|----------------|-----|-------|-------------------------------------|
| 49 | 725-3283 | 1 | | Wire, Ground |
| 50 | 725-3287 | 1 | | Wire, Battery Neg. |
| 51 | 726-0205 | 7 | /P | Clamp, Hose |
| 52 | 726-04026 | 4 | | Clamp, Hose |
| 53 | 726-04041 | 1 | | Clamp, Hose |
| 54 | 726-0476 | 3 | | Clamp, Adjustable Hose |
| 55 | 731-04018 | 2 | | Grommet, Hose Guard |
| 56 | 731-04617 | 1 | | Shroud, Fan |
| 57 | 731-04667 | 4 | | Mount, Compression Engine |
| 58 | 731-04731 | 1 | | Container, Over Flow |
| 59 | 735-0226 | 1 | | Grommet, Rubber |
| 60 | 736-0148 | 1 | /P | Washer, External Lock, 3/8 |
| 61 | 736-0158 | 1 | S | Washer, Lock, 5/8 |
| 62 | 736-0173 | 7 | /P | Washer, Flat, .28 x .74 x .063 . |
| 63 | 736-0275 | 2 | S | Washer, Flat, .344 x .688 x .065 |
| 65 | 736-0607 | 1 | /P | Washer, External Lock, 5/16 ... |
| 66 | 736-3008 | 5 | S | Washer, Flat, .344 x .75 x .12 . |
| 67 | 751B221535 | 1 | /P | Clamp, Casing |
| 68 | 751-0535 | 1 | | Hose, Fuel Line Return 81in. |
| 69 | 751-10048A | 1 | /P | Muffler, Engine |
| 70 | 751-0535 | 1 | | Hose, Over Flow 18in |
| 71 | 751-3130 | 1 | | Fuel Line, 5/16 ID 83in. |
| 72 | 751-3165 | 1 | | Radiator |
| 72 | 722-0268 | 2 | | Grommet, Rubber Mtg. not shown |
| 73 | 751-3192 | 1 | S | Cap, Radiator, 13psi |
| 74 | 751-3193 | 1 | | Screen, Debris |
| 75 | 718-3132 | 1 | S | Cooler, Oil |
| 76 | 751-3194 | 1 | /P | Element, Air Cleaner |
| 77 | 751-3195 | 1 | | Cap, Air Cleaner |
| 78 | 751-10066 | 1 | S | Canister, Air Cleaner |
| 79 | 751-3197 | 1 | | Nozzle, Air Cleaner |
| 80 | 703-05759-0637 | 1 | | Bracket, Engine Mtg. |
| 81 | 710-0514 | 2 | /P | Screw, Hex Cap, 3/8-16 x 1.0 GR5 |
| 82 | 710-3209 | 2 | | Screw, Hex Cap, M6-1.0 x 10mm GR8.8 |
| 83 | 712-0161 | 1 | /P | Nut, Hex Insert Lock, #10-24 .. |
| 84 | 712-0713 | 1 | | Nut, Flange Lock, M6-1.0 |
| 85 | 736-0185 | 3 | S | Washer, Flat, .375 x .738 x .063 |
| 86 | 736-0192 | 12 | S | Washer, Flat, .535 x .93 x .09 . |
| | 629-04084 | 1 | | Harness, Engine Wire not shown |



6284 Tractor
Fender And Running Board

Page 25 of 70

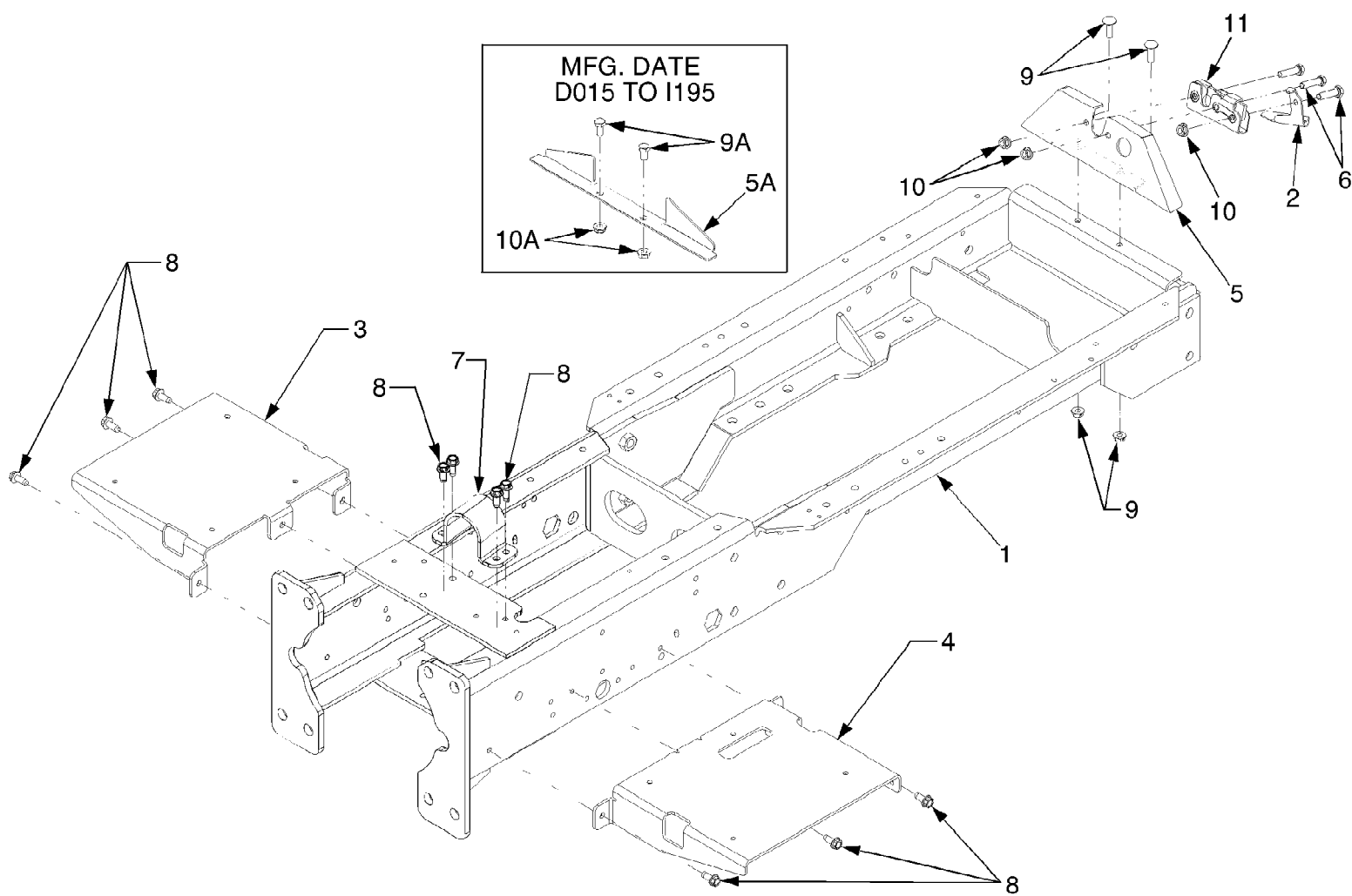
| Ref # | Part Number | Qty | S/P/F | Description |
|-------|-------------|-----|-------|---|
| 1 | 631-04006A | 1 | S | Cover, Fender, LH |
| 2 | 631-04169 | 1 | S | Cover, Fender, RH |
| 3 | 703-05296 | 1 | S | Bracket, Shift Gate (Hi-Lo) |
| 4 | 703-05297 | 1 | S | Bracket, Shift Gate (PTO) |
| 5 | 703-3451 | 1 | | Bracket, Seat Mtg. LH |
| 6 | 703-3572 | 1 | | Bracket, Seat Mtg. RH |
| 7 | 703-3754 | 1 | | Bracket, Rear Seat Support |
| 8 | 710-0895 | 4 | | Screw, Hex Wash Hd Tapp, 1/4-15 x .75 |
| 9 | 710-0971 | 2 | | Screw, Pan Hd. 5/16-18 x 1.0 |
| 10 | 710-1242 | 8 | /P | Screw, Truss Phillips Hd. 5/16-14 x .75 |
| 11 | 710-1260A | 3 | /P | Screw, Hex Wash Hd. Tapp 5/16-18 x .75 |
| 12 | 710-3008 | 2 | /P | Screw, Hex Cap 5/16-18 x .75 GR5 |
| 13 | 710-3038 | 4 | /P | Screw, Hex Cap 5/16-18 x .875 GR5 |
| 14 | 710-0604A | 8 | /P | Screw, Hex Wash Hd. Tapp 5/16-18 x .625 |
| 15 | 710-3021 | 3 | /P | Screw, Hex Wash Hd. Tapp 5/16-18 x .625 |
| 16 | 726-0211 | 6 | S | Speed Nut, 'U' Type, 5/16-18 |
| 17 | 726-3046 | 12 | /P | Clip, Ratchet Fastener |
| 18 | 731-3324A | 1 | /P | Cover, Fender |
| | 777S30630 | 1 | | Graphic, Warning |
| 19 | 731-05128 | 1 | S | Fender |
| | 777S30635 | 1 | | Graphic, Warning |
| | 777D08740 | 1 | | Graphic, Series 6000 |
| | 777D07973 | 2 | | Graphic, PosiTrak |
| | 777D08642 | 1 | | Graphic, Reflector LH |
| | 777D08643 | 1 | | Graphic, Reflector RH |
| 20 | 735-0669 | 1 | | Pad, Floor, RH |
| 21 | 735-0670 | 1 | | Pad, Floor, LH |
| 22 | 735-0690 | 4 | | Grommet, .4375 ID x .75 |
| 23 | 736-3089 | 4 | /P | Washer, Flat, .345 x 1.0 x .100 |
| 24 | 750-3310 | 4 | | Spacer, Flange, .3125 x .4375 x .625 |



6284 Tractor
Foldable ROPS

Page 27 of 70

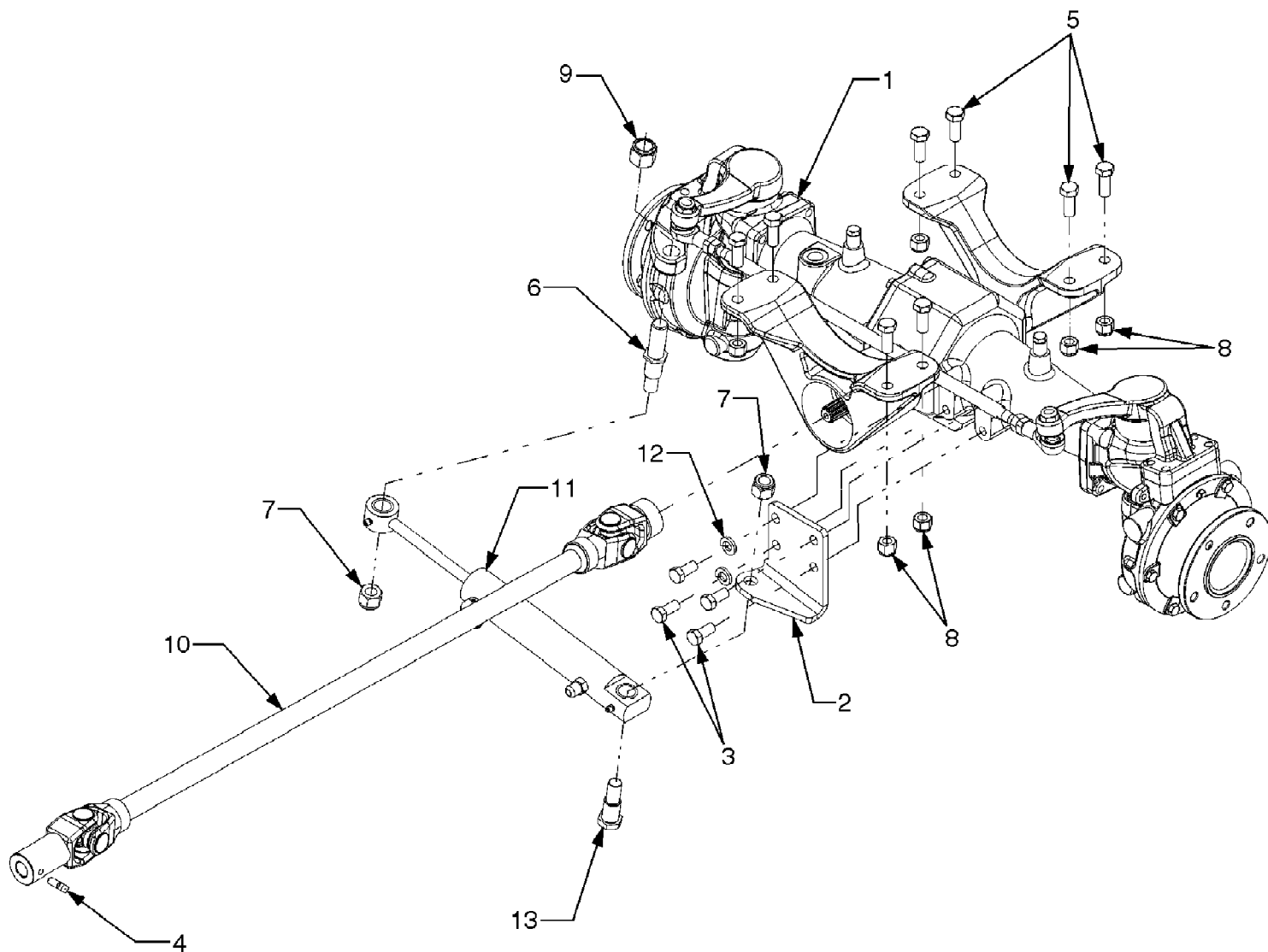
| Ref # | Part Number | Qty | S/P/F | Description |
|-------|-------------|-------|-------|------------------------------------|
| 1 | 603-04131 | 1 | | Mounting Assembly, ROPS RH |
| 2 | 603-04132 | 1 | | Mounting Assembly, ROPS LH |
| 3 | 603-04218 | 1 | | ROPS Assembly, Lower |
| 4 | 603-04283 | 1 | /P | ROPS Assembly, Upper |
| 5 | 710-0376 | 2 | /P | Screw, Hex Cap, 5/16-18 x 1.0 GR5 |
| 6 | 710-0515 | 2 | | Screw, Hex Cap, 1/2-20 x 3.5 GR5 |
| 7 | 710-3032 | 8 | /P | Screw, Hex Cap, 1/2-13 x 1.25 GR5 |
| 8 | 710-3131 | 8 | /P | Screw, Hex Cap, 1/2-13 x 1.0 GR5 |
| 9 | 710-3138 | 4 | /P | Screw, Hex Cap, M8-1.25 x 16 GR8 |
| 10 | 711-1610 | 2 | | Pin, Clevis, .5 x 3.5 |
| 11 | 712-3046 | 2 | /P | Nut, Hex Jam, 5/16-18 |
| 12 | 712-3058 | 2 | S | Nut, Hex Nylon Insert Lock, 1/2-20 |
| 13 | 714-3003 | 2 | S | Pin, Internal Cotter |
| 14 | 725-04248 | 1 | | Light Assembly, Hazard LH |
| 15 | 725-04260 | 1 | | Light Assembly, Hazard RH |
| 16 | 731-0757-16 | 16in. | | Conduit |



6284 Tractor
Frame

Page 29 of 70

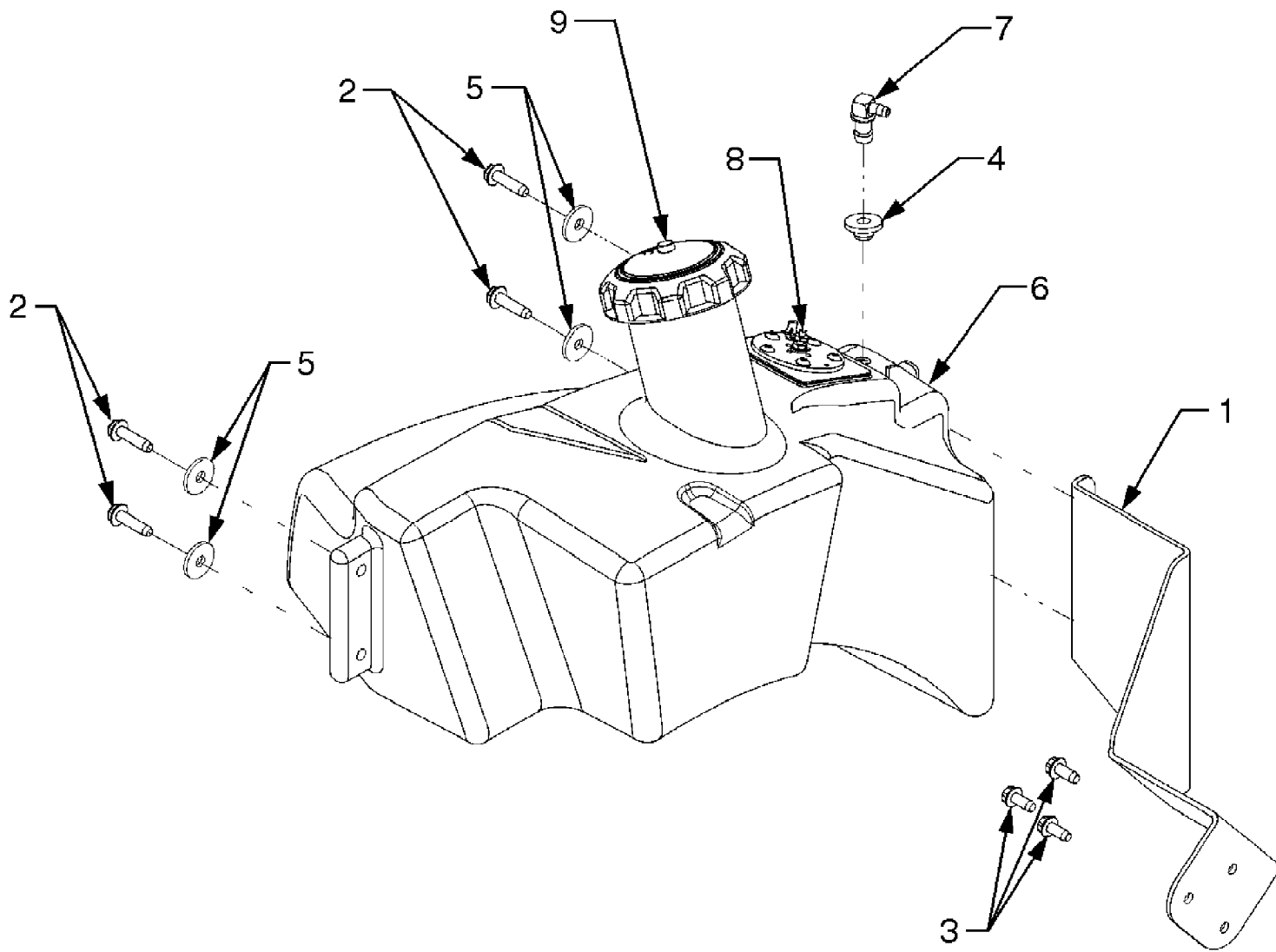
| Ref # | Part Number | Qty | S/P/F | Description |
|-------|-------------|-----|-------|---|
| 1 | 603-0666B | 1 | /P | Frame Assembly |
| 2 | 703-3503A | 1 | /P | Lever, Hood Latch - Original Style |
| 3 | 703-3497A | 1 | /P | Bracket, Runng Brd Mtg. LH |
| 4 | 703-3379A | 1 | /P | Bracket, Runng Brd Mtg. RH |
| 5 | 703-05137 | 1 | S | Bracket, Hood Latch Mtg Used ONLY with Original Style Hood Latch |
| 5A | 703-05782 | 1 | /P | Bracket, Hood Latch Used ONLY with New Style Hood Latch and 603-0666A Frame Assembly |
| 6 | 710-3083 | 3 | /P | Screw, Hex Cap, 5/16-18 x 1.375 GR5 Used ONLY with Original Style Hood Latch |
| 7 | 703-05737 | 1 | | Shield, Drive Shaft |
| 8 | 710-1260A | 10 | /P | Screw, Hex Wash. Hd. 5/16-18 x .75 |
| 9 | 710-0451 | 1 | /P | Screw, Carriage, 5/16-18 x .75 Used with Original Style hood latch and 703-05137 mounting bracket |
| 9A | 710-3025 | 1 | /P | Screw, Hex Cap, 5/16-18 x .625 GR5 Used only with New Style hood latch and 703-05782 bracket |
| 10 | 712-3004A | 5 | /P | Nut, Hx Flange Lck, 5/16-18 Used with Original Style hood latch and 703-05137 mounting bracket |
| 10A | 712-04063 | 1 | /P | Nut, Hx Flng Insert Lk, 5/16- Used only with New Style hood latch and 703-05782 bracket |
| 11 | 726-0455 | 1 | | Latch, Hood Original Style |



6284 Tractor
Front Axle 4WD

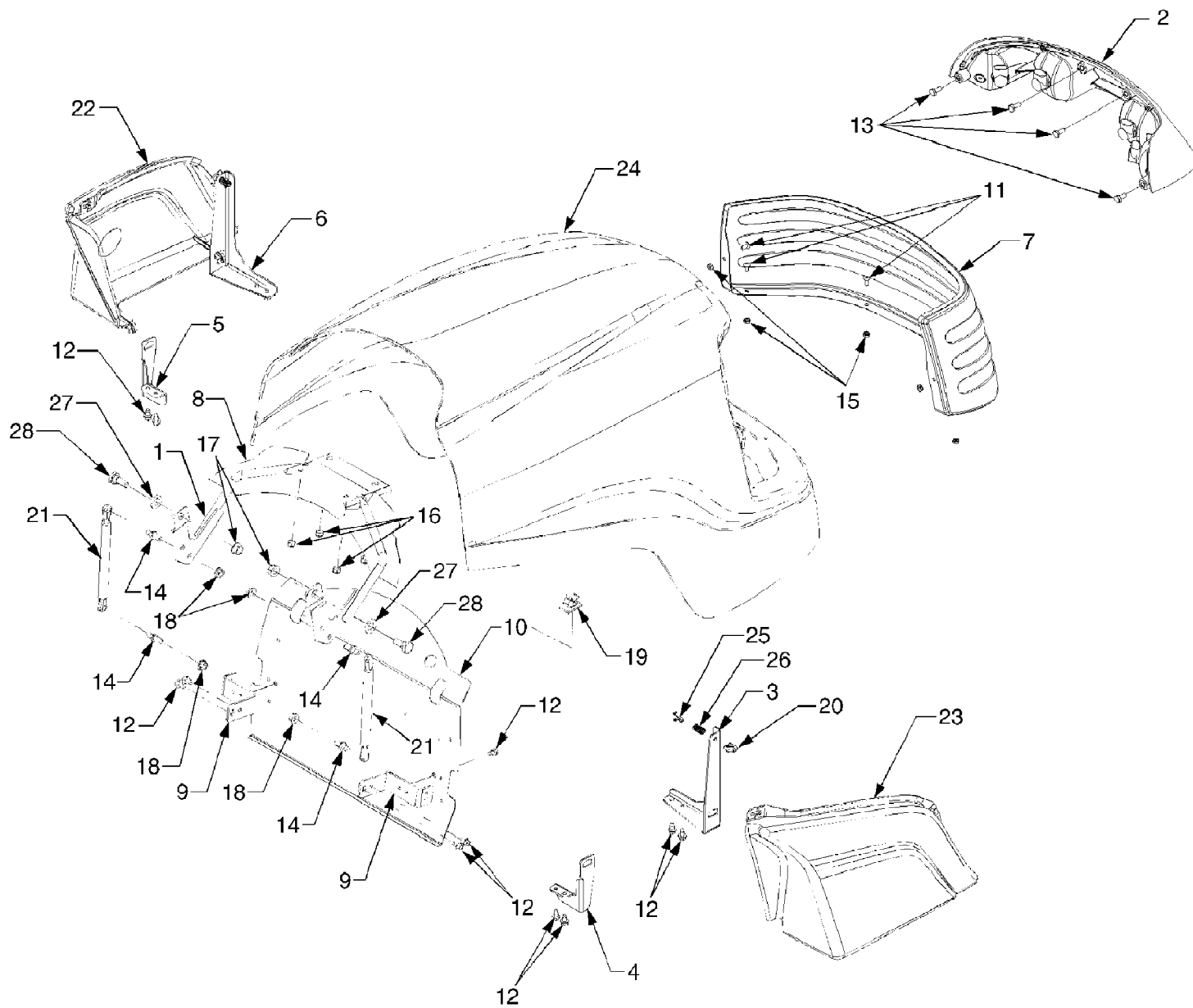
Page 31 of 70

| Ref # | Part Number | Qty | S/P/F | Description |
|-------|-------------|-----|-------|--|
| 1 | 618-04084A | 1 | S | Axle, 4WD Front |
| 2 | 703-05357 | 1 | S | Bracket, Cylinder Mounting |
| 3 | 710-04208 | 4 | | Screw, Hex Cap, w/Patch M12-1.75 x 25 GR8 |
| 4 | 710-04214 | 1 | | Screw, Sq. Hd Lock. 5/16-18 |
| 5 | 710-3181 | 8 | /P | Screw, Hex Cap 1/2-13 x 1.5 GR5 |
| 6 | 711-1410 | 1 | | Stud, Cylinder Mounting |
| 7 | 712-3016 | 2 | /P | Nut, Hex Insert Lock 5/8-11 GR5 |
| 8 | 712-3083 | 8 | /P | Nut, Hex Insert Lock, 1/2-13 GR8 |
| 9 | 712-3107 | 1 | /P | Nut, Hex Lock, 3/4-10 GRC |
| 10 | 717-3513A | 1 | /P | Shaft, 4WD Drive |
| 11 | 717-04119 | 1 | S | Cylinder, Steering |
| 11 | 727-3012 | 1 | /P | Fitting, 90 Deg Hyd 3/8 x 3/8 Not shown |
| 11 | 927-3002 | 1 | /P | Connector - Swivel Tube 37 Degree Fl Not shown |
| 12 | 736-0921 | 2 | S | Washer, Lock, 1/2 |
| 13 | 738-04049 | 1 | S | Screw, Shoulder, .75 x 1.03 |



6284 Tractor
Fuel Tank

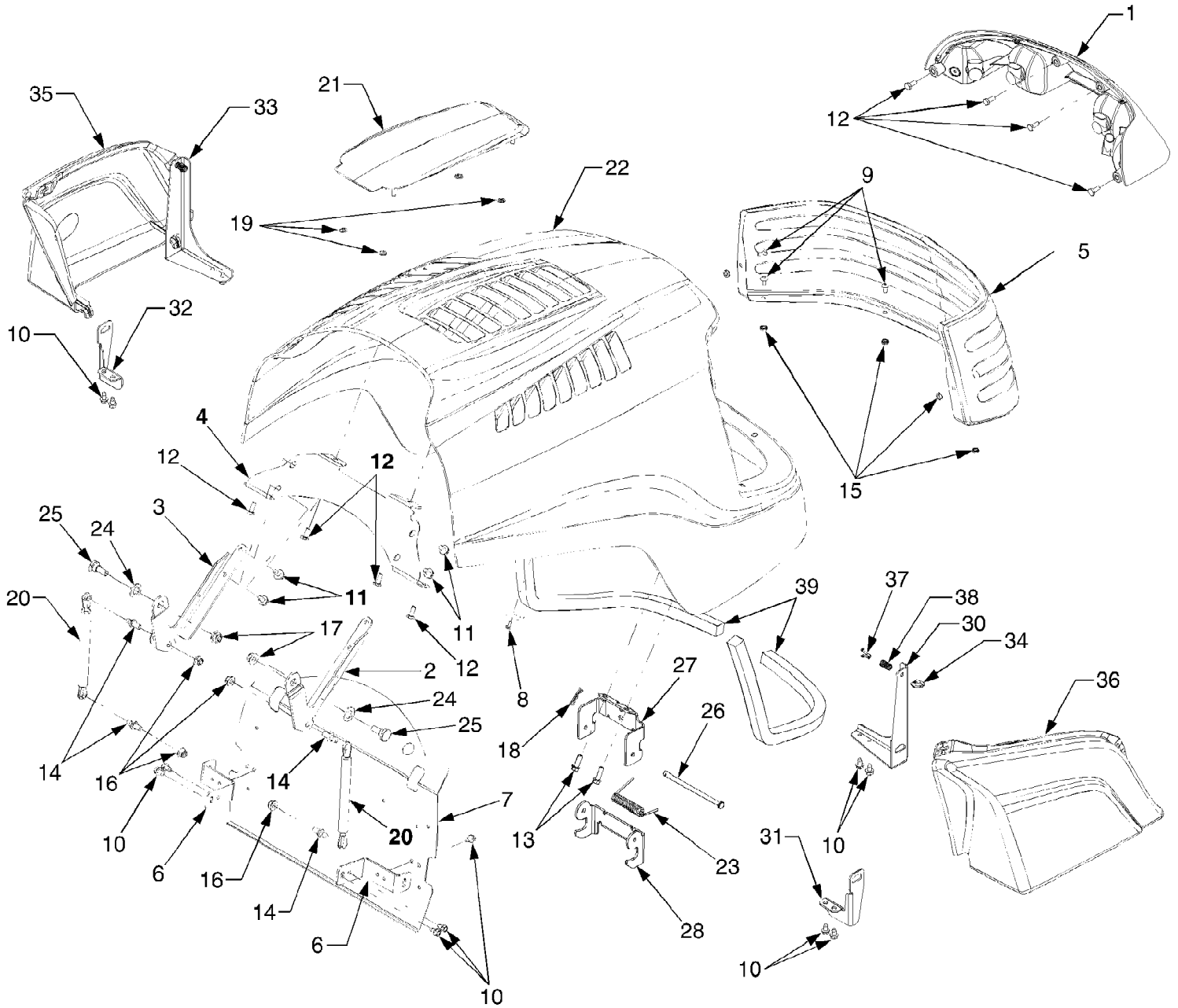
| Ref # | Part Number | Qty | S/P/F | Description |
|-------|-------------|-----|-------|--|
| 1 | 703-3563 | 1 | | Bracket, Front Tank Mtg. |
| 2 | 710-0817 | 4 | | Screw, Hex Wash Hd Tapp 5/16-18 x 1.25 |
| 3 | 710-1260A | 3 | /P | Screw, Hex Wash Hd Tapp 5/16-18 x .75 |
| 4 | 735-0149 | 1 | S | Bushing, Rubber |
| 5 | 736-0231 | 4 | S | Washer, Flat, .344 x 1.125 x .12 |
| 6 | 751-3169A | 1 | | Tank, Fuel |
| 7 | 751-3174 | 1 | | Fitting, Fuel Return |
| 8 | 751-3175 | 1 | S | Sensor, Fuel Level |
| 9 | 751-3188 | 1 | /P | Cap, Fuel - Diesel |



6284 Tractor
Hood, Grille & Side Panels 1C315G & Before

Page 35 of 70

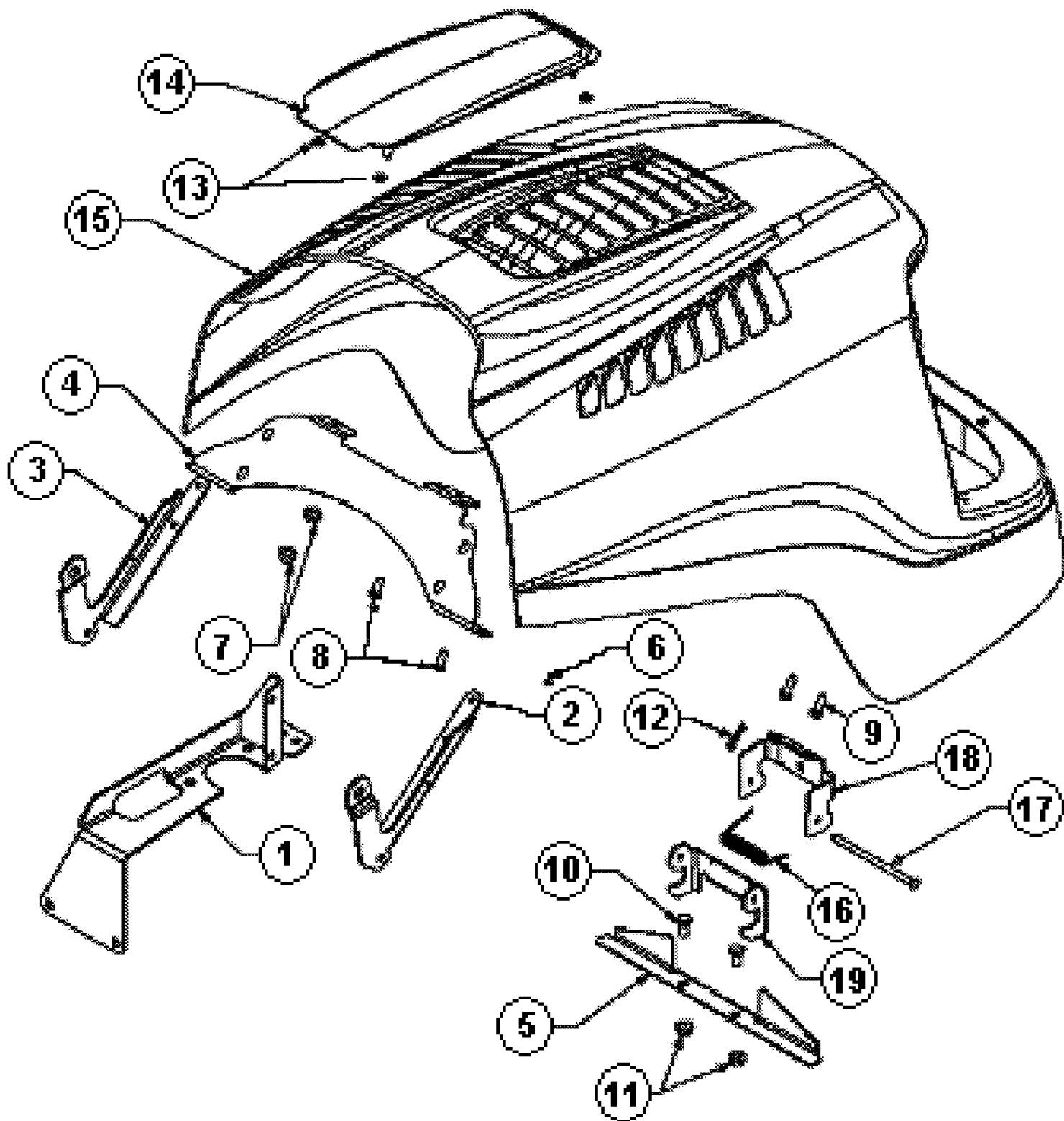
| Ref # | Part Number | Qty | S/P/F | Description |
|-------|----------------|-----|-------|---|
| 1 | 603-0719A-0637 | 1 | /P | Hinge Assembly, Hood |
| 2 | 625-0052 | 1 | S | Headlight Assembly |
| 2 | 725-3161A | 4 | S | Bulb, Headlight Not shown |
| 3 | 703-05281-0637 | 1 | /P | Bracket, Side Panel Mtg. RH |
| 4 | 703-05284-0637 | 1 | /P | Bracket, Side Panel Mtg. RH Rear |
| 5 | 703-05293-0637 | 1 | /P | Bracket, Side Panel Mtg. LH Rear |
| 6 | 703-05295-0637 | 1 | /P | Bracket, Side Panel Mtg. LH |
| 7 | 703-3394 | 1 | S | Screen, Intake |
| 8 | 703-3712A | 1 | S | Shield, Upper Heat |
| 9 | 703-3764-0637 | 1 | | Bracket, Panel Mtg. |
| 10 | 703-3765-0637 | 1 | | Shield, Lower Heat |
| 11 | 710-0473 | 6 | /P | Screw, Truss Hd, 10-24 x .5 |
| 12 | 710-0599 | 14 | /P | Screw, Hex Wash Hd Tapp 1/4-20 x .5 |
| 13 | 710-0751 | 4 | /P | Screw, Hex Wash. Hd.1/4-20 x .62 GR5 |
| 14 | 710-3170 | 4 | | Stud, Cylinder, 5/16-18 Thrd |
| 15 | 712-0272 | 6 | /P | Nut, Hex Sems, 10-24 |
| 16 | 712-0324 | 4 | /P | Nut, Hex Nylon Insert Lock, 1/4-20 |
| 17 | 712-0431 | 2 | S | Nut, Hex Flange Lock, 3/8-16 |
| 18 | 712-3004A | 4 | /P | Nut, Hex Flange Lock, 5/16-18 |
| 19 | 726-04010 | 1 | | Clip, Retaining |
| 20 | 726-3056 | 4 | | Latch, 1/4 Turn Panel |
| 21 | 727-3194 | 2 | | Cylinder, Gas Spring |
| 22 | 731-04540 | 1 | S | Panel, Side LH |
| 23 | 731-04541 | 1 | S | Panel, Side RH |
| 24 | 759-04115A | 1 | | Hood, Service Kit Replaces 731-3277 in this application, Refer to diagram Hood 759-04115A |
| 24 | 731-6889 | 1 | | Hood Replaces 731-3277 |
| 24 | 777D07558 | 1 | | Graphic, Hood RH |
| 24 | 777D07559 | 1 | | Graphic, Hood LH |
| 24 | 777D08742 | 1 | | Graphic, Model 6284 LH |
| 24 | 777D08741 | 1 | | Graphic, Model 6284 RH |
| 24 | 751C129A | 2 | | Graphic, Cat |
| 25 | 732-0936 | 4 | | Clip, Spring |
| 26 | 732-0937 | 4 | | Spring, Compression |
| 27 | 736-0272 | 2 | S | Washer, Flat, .51 x 1.0 x .060 |
| 28 | 738-0380 | 2 | S | Screw, Shoulder, .5 x .27 Lg 3/8-16 |



6284 Tractor
Hood, Grille & Side Panels 1D015G & After

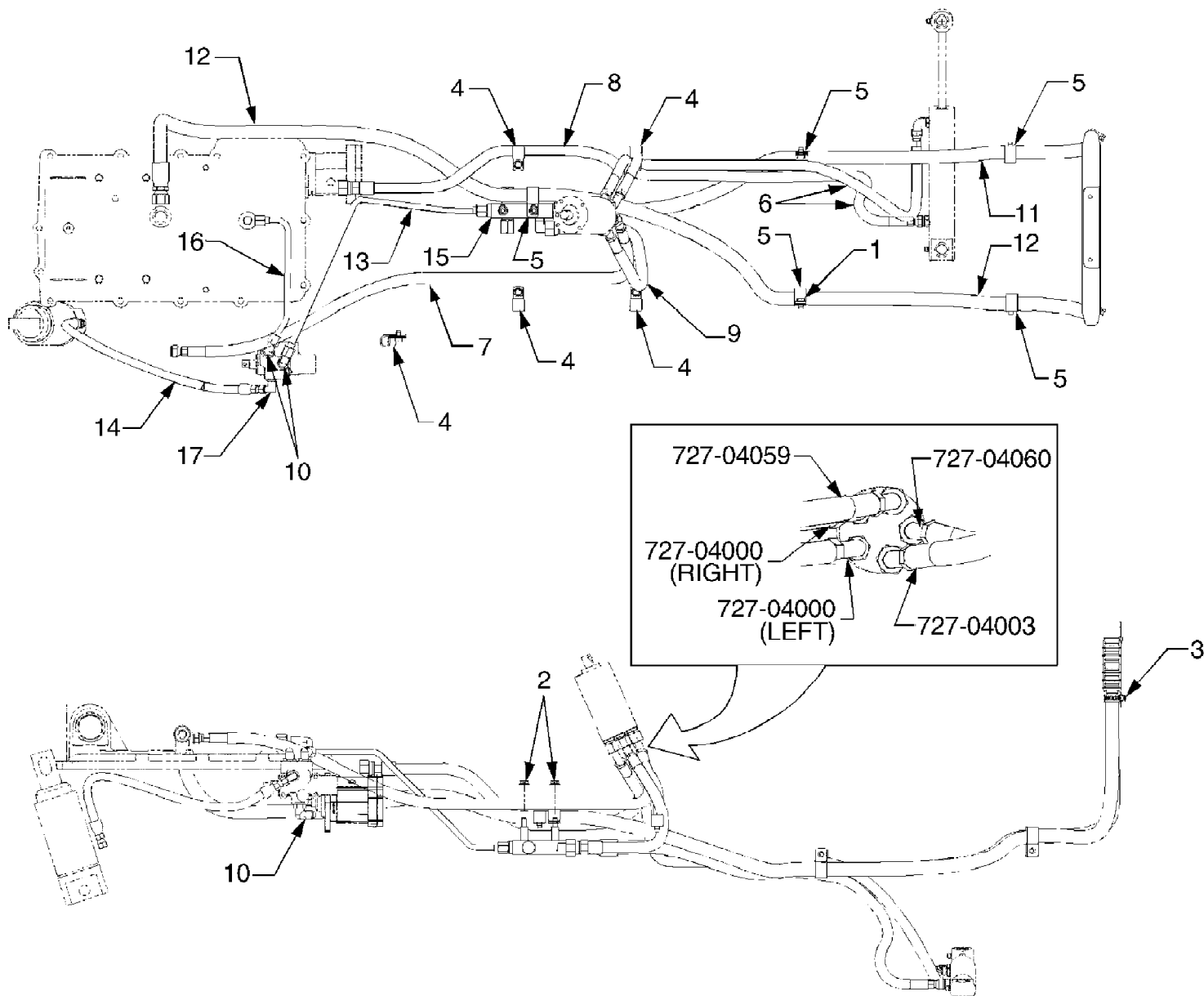
Page 37 of 70

| Ref # | Part Number | Qty | S/P/F | Description |
|-------|----------------|-----|-------|--|
| 1 | 625-0052 | 1 | S | Headlight Assembly |
| 1 | 725-3161A | 4 | S | Bulb, Headlight not shown |
| 2 | 703-05652-0637 | 1 | | Bracket, Hinge, RH |
| 3 | 703-05653-0637 | 1 | | Bracket, Hinge, LH |
| 4 | 703-05655-0637 | 1 | | Bracket, Hood Mounting |
| 5 | 703-3394 | 1 | S | Screen, Intake |
| 6 | 703-3764-0637 | 2 | | Bracket, Panel Mtg. |
| 7 | 703-3765-0637 | 1 | | Shield, Lower Heat |
| 8 | 710-04164 | 1 | /P | Screw, Hex Wash Hd, #8-18 x .375 |
| 9 | 710-0473 | 6 | /P | Screw, Truss Hd, 10-24 x .5 |
| 10 | 710-0599 | 14 | /P | Screw, Hex Wash Hd Tapp 1/4-20 x .5 |
| 11 | 710-0607 | 4 | /P | Screw, Hex Wash Hd Tapp 5/16-18 x .5 |
| 12 | 710-0751 | 8 | /P | Screw, Hex Cap 1/4-20 x .62 GR5 |
| 13 | 710-0895 | 2 | | Screw, Hex Wash. Hd.1/4-20 x .75 |
| 14 | 710-3170 | 4 | | Stud, Cylinder, 5/16-18 Thrd |
| 15 | 712-0272 | 6 | /P | Nut, Hex Sems, 10-24 |
| 16 | 712-04063 | 4 | /P | Nut, Hex Insert Flange Lock, 5/16-18 |
| 17 | 712-04065 | 2 | /P | Nut, Hex Insert Flange Lock, 3/8-16 |
| 18 | 714-0104 | 1 | S | Pin, Internal Cotter |
| 19 | 726-0233 | 4 | /P | Nut, Push, .25 ID |
| 20 | 727-3194 | 2 | | Cylinder, Gas Spring Before Mfg. Date I305 |
| 20 | 727-04142 | 1 | | Cylinder, Gas Spring Mfg. Date I305 & After |
| 21 | 731-05161 | 1 | S | Cover, Hood |
| 22 | 759-04210 | 1 | /P | Hood, Service Kit (contains 931-06889, 726-0233, 710-1242,721-04162 and installation instructions) |
| 22 | 931-06889 | 1 | | Hood Replaces 731-05301 |
| 22 | 726-0233 | 4 | /P | Push Nut .25 x .50 not shown |
| 22 | 710-1242 | 4 | /P | Screw, Hi Low 5/16-14 x .75 not shown |
| 22 | 721-04162 | 2 | | Foam Strip not shown |
| 22 | 777D07558 | 1 | | Graphic, Hood RH not shown |
| 22 | 777D07559 | 1 | | Graphic, Hood LH not shown |
| 22 | 777D08742 | 1 | | Graphic, Model 6284 LH not shown |
| 22 | 777D08741 | 1 | | Graphic, Model 6284 RH not shown |
| 22 | 751C129A | 2 | | Graphic, Cat not shown |
| 23 | 732-04281A | 1 | /P | Spring, Torsion |
| 24 | 736-0272 | 2 | S | Washer, Flat, .51 x 1.0 x .060 |
| 25 | 738-0380 | 2 | S | Screw, Shoulder, .5 x .27 Lg 3/8-16 |
| 26 | 747-1323A | 1 | | Rod, .25 x 4.55 |
| 27 | 783-04714 | 1 | S | Plate, Latch |
| 28 | 783-4717A | 1 | | Bracket, Latch Pivot |
| 30 | 703-05281-0637 | 1 | /P | Brkt, Side Pnl. Mtg. RH |
| 31 | 703-05284-0637 | 1 | /P | Brkt, Side Pnl. Mtg. RH Rear |
| 32 | 703-05293-0637 | 1 | /P | Brkt, Side Pnl. Mtg. LH Rear |
| 33 | 703-05295-0637 | 1 | /P | Brkt, Side Panel Mtg. LH |
| 34 | 726-3056 | 4 | | Latch, 1/4 Turn Panel |
| 35 | 731-04540 | 1 | S | Panel, Side LH |
| 36 | 731-04541 | 1 | S | Panel, Side RH |
| 37 | 732-0936 | 4 | | Clip, Spring |
| 38 | 732-0937 | 4 | | Spring, Compression |
| 39 | 721-04162 | 1 | | Foam Seal - Added Mfg. Date I305 |



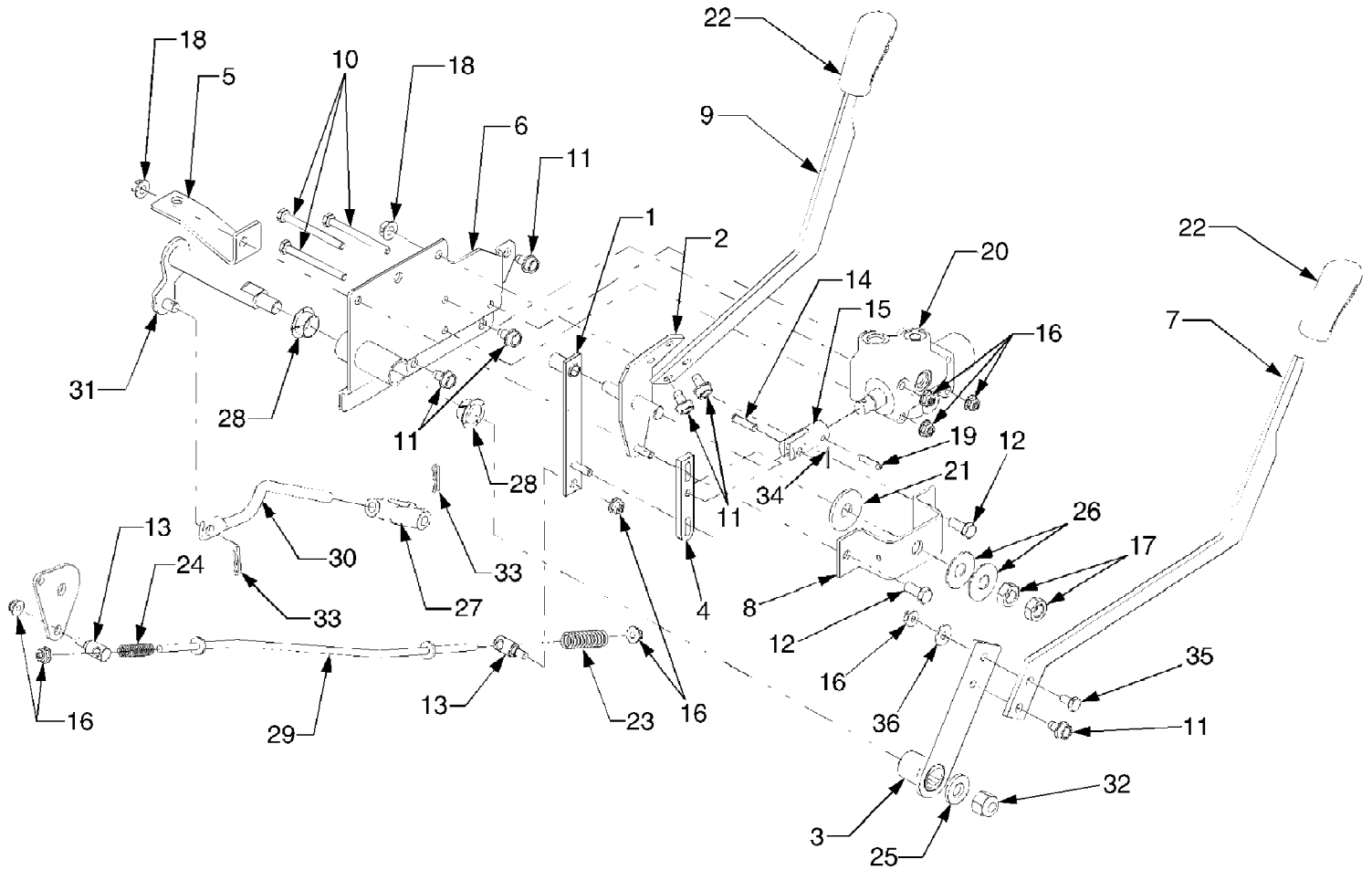
6284 Tractor
Hood, Service Kit 759-04115A 1C315G & Before

| Ref # | Part Number | Qty | S/P/F | Description |
|-------|-------------|-----|-------|--------------------------------------|
| 1 | 603-04311 | 1 | | Air Filter Bracket Assy. |
| 2 | 703-05652 | 1 | | RH Hinge Bracket |
| 3 | 703-05653 | 1 | | LH Hinge Bracket |
| 4 | 703-05655A | 1 | | Hood Mounting Bracket |
| 5 | 703-05782 | 1 | /P | Hood Latch Bracket |
| 6 | 710-0224 | 1 | S | #10-16 x .500 Hex Screw |
| 7 | 710-0607 | 4 | /P | 5/16-18 x .50 Screw |
| 8 | 710-1242 | 4 | /P | 5/16 x .75 HiLow Screws |
| 9 | 710-0895 | 2 | | 1/4-20 x .750 Screw |
| 10 | 710-3025 | 2 | /P | 5/16-18 x .625 Bolt |
| 11 | 712-04063 | 2 | /P | 5/16-18 Nylon Flange Lock Nut |
| 12 | 714-0104 | 1 | S | Cotter Pin |
| 13 | 726-0233 | 4 | /P | Push Nut |
| 14 | 731-05161 | 1 | S | Hood Cover |
| 15 | 731-06889 | 1 | S | Hood |
| 16 | 732-04281A | 1 | /P | Latch Spring |
| 17 | 747-1323A | 1 | | Pivot Rod |
| 18 | 783-04714 | 1 | S | Latch Plate |
| 19 | 783-04717A | 1 | /P | Pivot Latch Bracket |
| | 721-04162 | 2 | | Foam Strip Not Shown |
| | 736-0400 | 2 | S | Flat Washers Not Shown |
| | 726-0272 | 1 | /P | Clamp Not Shown |
| | 759-04115A | 1 | | Service Kit Includes all parts shown |

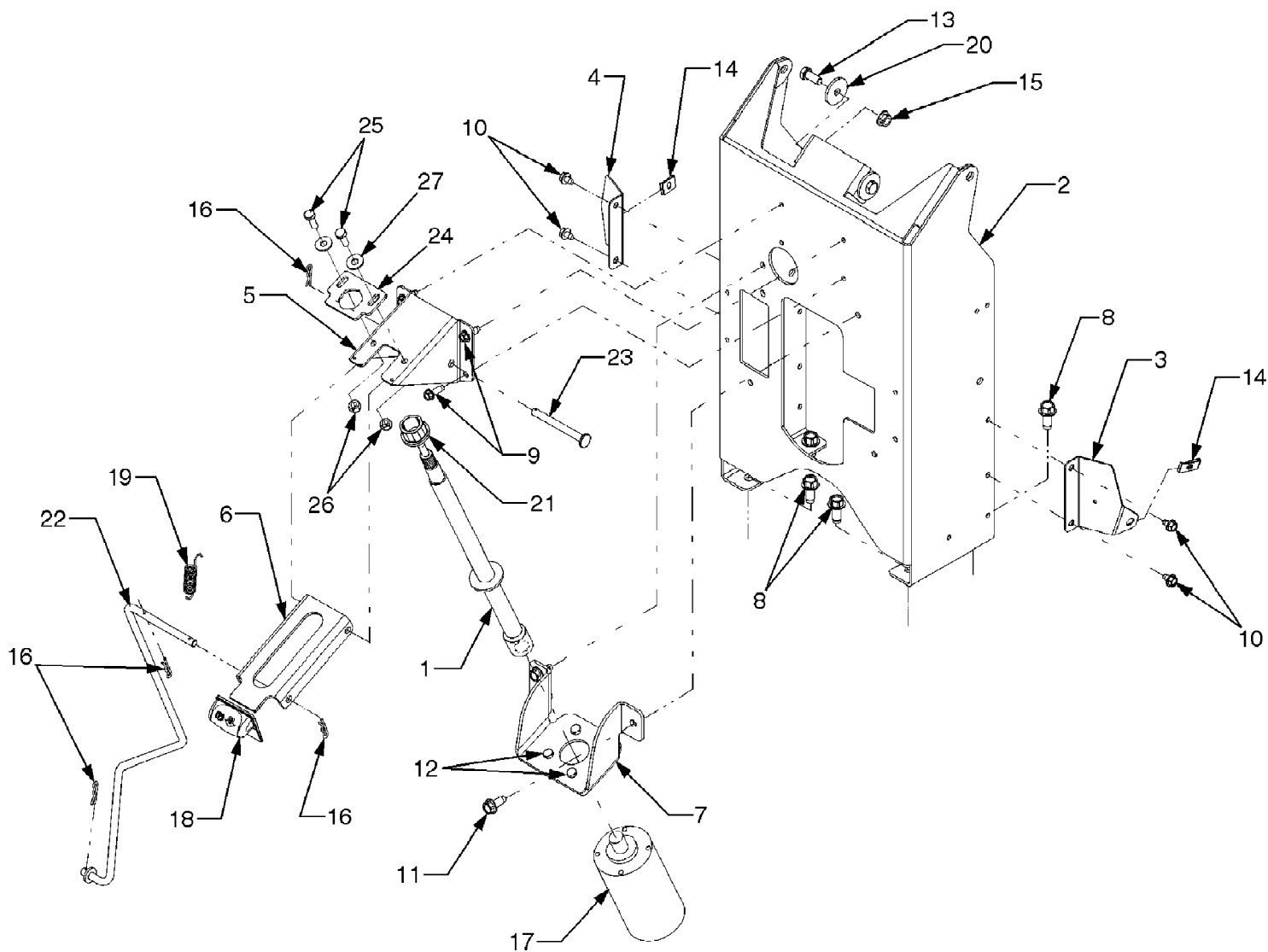


| Ref # | Part Number | Qty | S/P/F | Description |
|-------|-------------|-----|-------|---------------------------------------|
| 1 | 710-0607 | 9 | /P | Screw, Hex Wash Hd. Tapp 5/16-18 x .5 |
| 2 | 712-3004A | 2 | /P | Nut, Hex Flange Lock, 5/16-18 GR5 |
| 3 | 726-0132 | 2 | /P | Clamp, Adjustable Hose |
| 4 | 726-04004 | 5 | | Clamp, Hose |
| 5 | 726-0475 | 5 | | Clamp, Hose |
| 6 | 727-04000 | 2 | | Hose, Steering |
| 7 | 727-04003 | 1 | | Hose, Lift Inlet |
| 8 | 727-04059 | 1 | | Hose, Steering Pressure |
| 9 | 727-04060 | 1 | | Hose, Steering-Tank |
| 10 | 727-3012 | 3 | /P | Fitting, 90 Degree |
| 11 | 727-3177 | 1 | | Tube, Oil Cooler Return |
| 12 | 727-3178 | 1 | | Hose, Oil Return |
| 13 | 727-3182 | 1 | | Tube, Lift Return Line |
| 14 | 727-3184 | 1 | | Hose, Lift Cylinder |
| 15 | 727-3199 | 1 | | Manifold, Return |
| 16 | 727-3209 | 1 | | Tube, Cylinder Return |
| 17 | 737-3127 | 1 | | Fitting, 90 Degree |

6284 Tractor
Lift Valve And Position Control



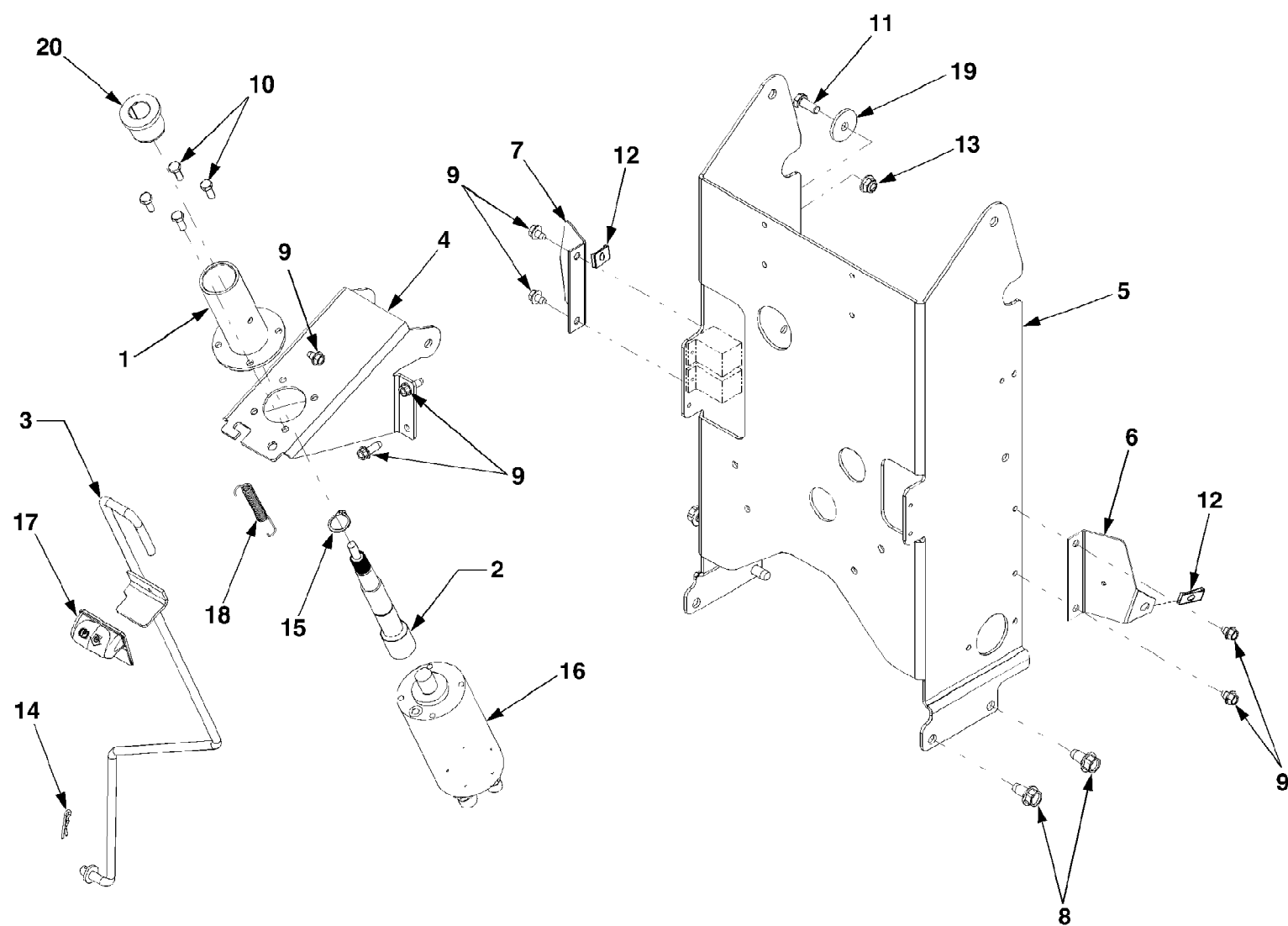
| Ref # | Part Number | Qty | S/P/F | Description |
|-------|-------------|-----|-------|---------------------------------------|
| 1 | 603-0663 | 1 | | Link Assembly, Feedback |
| 2 | 603-04091 | 1 | | Link Assembly, Input |
| 3 | 603-04085 | 1 | | Link, HI-LO Shifter |
| 4 | 703-3360A | 1 | /P | Link, Feedback |
| 5 | 703-3610 | 1 | | Bracket, Lift Brace |
| 6 | 703-04084 | 1 | | Bracket, Valve Mtg. |
| 7 | 703-3698B | 1 | S | Handle, HI-LO Shifter |
| 8 | 703-3762 | 1 | | Bracket, Lift Mtg. |
| 9 | 703-3763A | 1 | /P | Handle, Lift |
| 10 | 710-0564 | 3 | /P | Screw, Hex Cap, 1/4-20 x 2.75 GR5 |
| 11 | 710-0607 | 6 | /P | Screw, Hex Wash Hd. Tapp 5/16-18 x .5 |
| 12 | 710-3008 | 2 | /P | Screw, Hex Cap, 5/16-18 x .75 GR5 |
| 13 | 711-1316 | 2 | | Ferrule, Feedback Adjustment |
| 14 | 711-04214 | 1 | | Pin, Clevis, .25 x .937 |
| 15 | 711-1614 | 1 | | Link, Valve |
| 16 | 712-04064 | 7 | /P | Nut, Hex Flange Nylon Lock 14-20 GRF |
| 17 | 712-3029 | 2 | /P | Nut, Hex Jam, 1/2-20 GR5 |
| 18 | 712-3004A | 2 | /P | Nut, Hex Flange Lock, 5/16-18 GR5 |
| 19 | 715-0120 | 1 | S | Pin, Spirol, 3/16 x 1.0 |
| 20 | 718-3130 | 1 | | Valve, Hydraulic Lift |
| 21 | 723-3013 | 1 | S | Washer, Friction, .515 x 1.5 x .12 |
| 22 | 731-3321 | 2 | | Grip, Handle |
| 23 | 732-0330 | 1 | S | Spring, Compression |
| 24 | 732-0499 | 1 | | Spring, Compression |
| 25 | 736-3019 | 1 | | Washer, Flat, .531 x 1.062 x .134 |
| 26 | 736-3022 | 2 | S | Washer, Belleville, .53 x 1.375 x .06 |
| 27 | 719-3013 | 1 | /P | Clevis, Adjustment |
| 28 | 741-3084 | 2 | | Bearing, Nylon Flange .75 ID |
| 29 | 747-3394 | 1 | | Rod, Feedback |
| 30 | 747-04131 | 1 | | Rod, Hi-LO Connecting |
| 31 | 603-04086 | 1 | | Shaft, Hi-Lo Shifter |
| 32 | 712-3058 | 1 | S | Nut, Hex Nylon Lock, 1/2-20 |
| 33 | 714-0104 | 2 | S | Pin, Internal Cotter |
| 34 | 714-0127 | 1 | /P | Pin, Cotter, 1/16 x .75 |
| 35 | 710-3013 | 1 | /P | Screw, Hex Cap, 1/4-20 x .5 GR5 |
| 36 | 736-0173 | 1 | /P | Washer, Flat, .28 x .74 x .063 |



6284 Tractor
Pedestal I135 and Before

Page 45 of 70

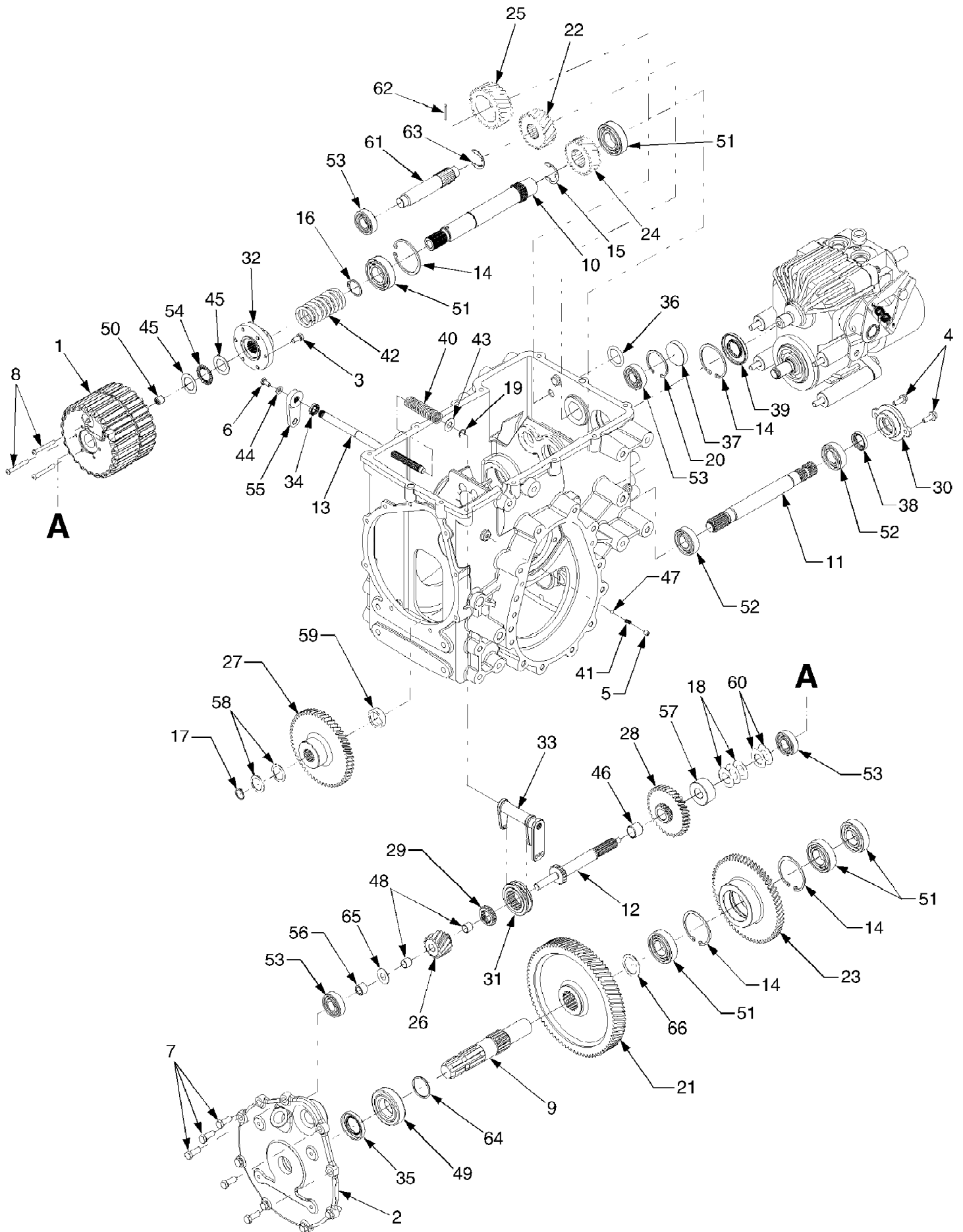
| Ref # | Part Number | Qty | S/P/F | Description |
|-------|-------------|-----|-------|--|
| 1 | 603-04001A | 1 | S | Shaft, Steering |
| 2 | 703-3383D | 1 | | Pedestal |
| 3 | 703-3717 | 1 | | Bracket, Dash Mtg. RH |
| 4 | 703-3721 | 1 | | Bracket, Dash Mtg. LH |
| 5 | 703-05361 | 1 | S | Bracket, Steering Column |
| 6 | 703-3895 | 1 | | Bracket, Brake Lever |
| 7 | 703-4154 | 1 | S | Bracket, Pump Mtg. |
| 8 | 710-0623 | 4 | /P | Screw, Hex Wash, Hd Tapp 3/8-16 x .75 |
| 9 | 710-0642 | 4 | /P | Screw, Hex Wash, Hd Tapp 1/4-20 x .75 |
| 10 | 710-0653 | 4 | /P | Screw, Hex Wash, Hd Tapp 1/4-20 x .375 |
| 11 | 710-1260A | 3 | /P | Screw, Hex Wash, Hd Tapp 5/16-18 x .75 |
| 12 | 710-1690 | 4 | | Screw, Hex, M6-1 x 16 Hardened |
| 13 | 710-3008 | 2 | /P | Screw, Hex Cap 5/16-18 x .75 |
| 14 | 712-0292 | 2 | /P | Nut, Speed, 1/4-20 |
| 15 | 712-3004A | 2 | /P | Nut, Hex Flange Lock, 5/16-18 |
| 16 | 714-0104 | 4 | S | Pin, Internal Cotter |
| 17 | 718-3155 | 1 | S | Pump, Hydraulic Steering |
| 18 | 731-3359 | 1 | | Lever, Parking Brake |
| 19 | 732-3002 | 1 | S | Spring, Extension |
| 20 | 736-0343 | 2 | /P | Washer, Flat, .33 x 1.25 x .12 . |
| 21 | 741-0245 | 1 | S | Bearing, Hex Flange, .75 ID |
| 22 | 747-3543A | 1 | | Rod, Parking Brake |
| 23 | 747-3454 | 1 | | Pin, Parking Brake Pivot |
| 24 | 703-05362 | 1 | S | Plate, Bearing |
| 25 | 710-3015 | 2 | /P | Screw, Hex Cap, 1/4-20 x .75 Gr5 |
| 26 | 712-0324 | 2 | /P | Nut, Hex Insert Lock, 1/4-20 |
| 27 | 736-0173 | 2 | /P | Washer, Flat, .28 x .74 x .063 |



6284 Tractor
Pedestal I145 and After

Page 47 of 70

| Ref # | Part Number | Qty | S/P/F | Description |
|-------|-----------------|-----|-------|--|
| 1 | 603-04320 | 1 | S | Tube Assy. Steering Column .. |
| 2 | 603-04321 | 1 | S | Shaft, Steering |
| 3 | 603-04330 | 1 | | Rod, Parking Brake |
| 4 | 703-05818 | 1 | | Bracket, Steering Mounting |
| 5 | 703-05828-0637 | 1 | | Pedestal 09/01/2006 & Before approx. |
| 5 | 703-05828A-0637 | 1 | | Pedestal 09/01/2006 & After approx. |
| 6 | 703-3717-0637 | 1 | | Bracket, Dash Mtg. RH |
| 7 | 703-3721-0637 | 1 | | Bracket, Dash Mtg. LH |
| 8 | 710-0623 | 4 | /P | Screw, Hex Wash, Hd Tapp 3/8-16 x .75 |
| 9 | 710-0653 | 9 | /P | Screw, Hex Wash, Hd Tapp 1/4-20 x .375 |
| 10 | 710-1690 | 4 | | Screw, Hex, M6-1 x 16 Hardened |
| 11 | 710-3008 | 2 | /P | Screw, Hex Cap 5/16-18 x .75 GR5 |
| 12 | 712-0292 | 2 | /P | Nut, Speed, 1/4-20 |
| 13 | 710-04063 | 2 | /P | Nut, Hex Insert Flange Lock, 5/16-18 GrF |
| 14 | 714-0104 | 1 | S | Pin, Internal Cotter |
| 15 | 716-0101 | 1 | S | Ring, Snap, .75 Dia |
| 16 | 718-3155 | 1 | S | Pump, Hydraulic Steering |
| 17 | 731-3359 | 1 | | Lever, Parking Brake |
| 18 | 732-0320 | 1 | S | Spring, Extension |
| 19 | 736-0343 | 2 | /P | Washer, Flat, .33 x 1.25 x .12 . |
| 20 | 741-0312 | 1 | S | Bearing, Flg, .75 ID x 1.25 OD |

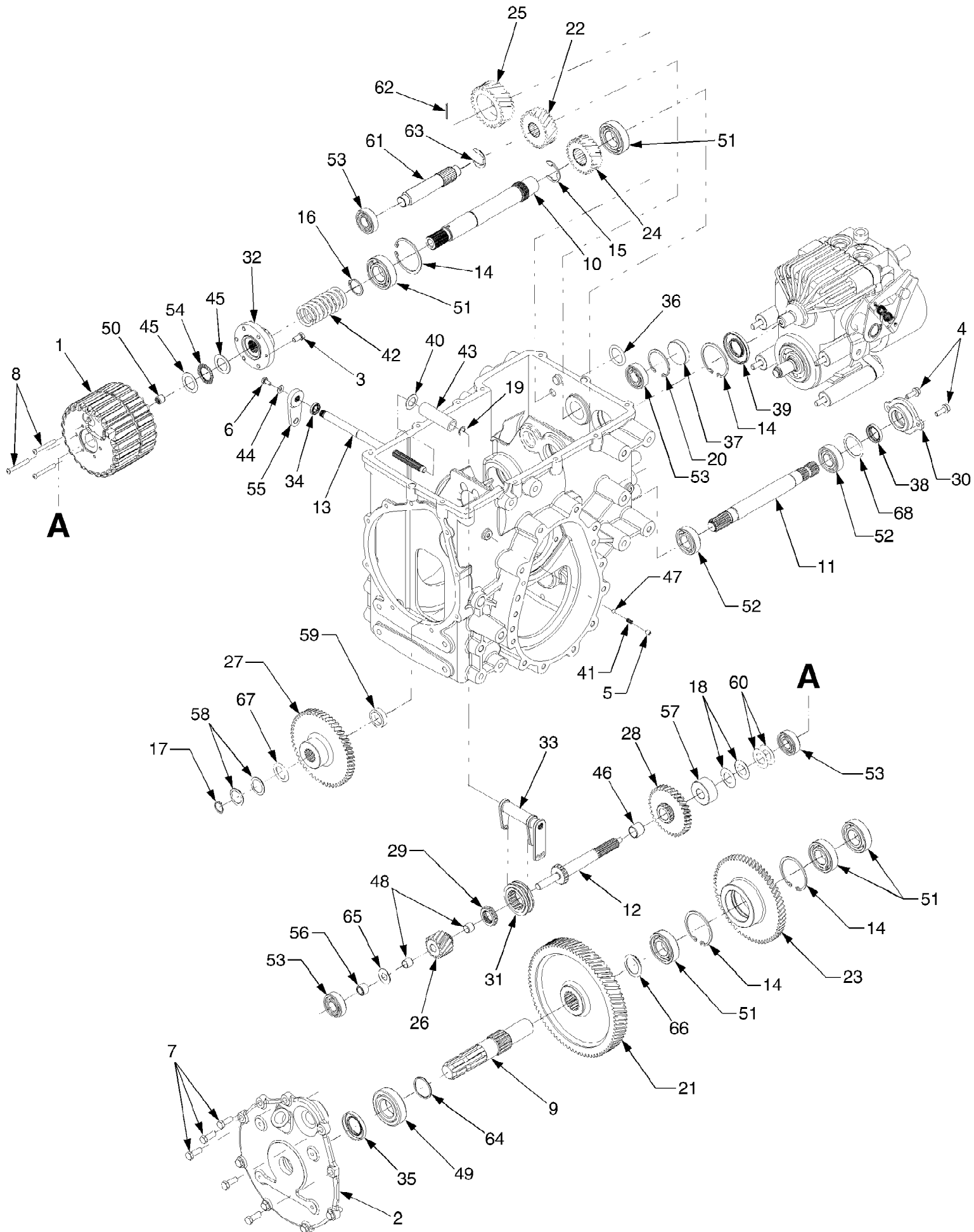


| Ref # | Part Number | Qty | S/P/F | Description |
|-------|-------------|-----|-------|--|
| 1 | 618-3189 | 1 | | Clutch Assembly, PTO |
| 2 | 619-3076B | 1 | S | Housing, Rear |
| 3 | 710-0751 | 6 | /P | Screw, Hex Cap Lock, 1/4-20 x .62 |
| 4 | 710-1238 | 2 | /P | Screw, Hex Wash Hd, 5/16-18 x .875 GR5 |
| 5 | 710-3006 | 1 | /P | Screw, Cup Set, 5/16-18 x 3/8 |
| 6 | 710-3013 | 1 | /P | Screw, Hex Cap, 1/4-20 x .5 GR5 |
| 7 | 710-3118 | 9 | /P | Screw, Hex Cap Lock, 3/8-16 x 1.0 GR5 |
| 8 | 710-04003A | 6 | /P | Screw, Round Hd, 6mm x 40mm |
| 9 | 711-1325A | 1 | S | Shaft, 540 PTO |
| 10 | 711-04390 | 1 | S | Shaft, PTO Input |
| 11 | 711-1345 | 1 | | Shaft, 2000 PTO |
| 12 | 711-1371 | 1 | | Shaft, PTO Back |
| 13 | 711-1373 | 1 | | Shaft, PTO Actuator |
| 14 | 716-0180 | 4 | | Ring, Retaining |
| 15 | 716-0200 | 1 | | Ring, Retaining |
| 16 | 716-0201 | 1 | | Ring, Retaining |
| 17 | 716-0384 | 1 | | Ring, Retaining |
| 18 | 736-0563 | 1 | | Washer, Flat, .793 x 1.368 x .01 As required |
| 19 | 716-0397 | 1 | /P | Ring, Retaining |
| 20 | 716-0393 | 1 | | Ring, Retaining |
| 21 | 717-3469 | 1 | | Gear, 540 PTO: 81T |
| 22 | 717-04201 | 1 | S | Gear, Auxiliary Drive Idler: 28T |
| 23 | 717-3487 | 1 | | Gear, 2000 PTO: 61T |
| 24 | 717-04189 | 1 | S | Gear, Auxiliary Drive Pinion: 28T |
| 25 | 717-3491A | 1 | S | Gear, Auxiliary Drive: 32T |
| 26 | 717-3492 | 1 | | Gear, 540 PTO Pinion: 14T |
| 27 | 717-3494C | 1 | /P | Gear, 2000 PTO Pinion: 54T |
| 28 | 717-3500 | 1 | | Gear, 2000 PTO Pinion: 34T |
| 29 | 718-0668 | 1 | | Gear, Spline Coupling |
| 30 | 718-0681 | 1 | | Cover, 2000 PTO |
| 31 | 718-3116 | 1 | | Collar, 2 Speed |
| 32 | 718-3134 | 1 | | Coupling, PTO |
| 33 | 719-0551A | 1 | S | Actuator, PTO |
| 34 | 721-0496 | 1 | | Seal, Oil |
| 35 | 721-04125 | 1 | S | Seal, Oil |
| 36 | 721-0500 | 1 | | O-Ring |
| 37 | 721-0504 | 1 | | Plug, Oil |
| 38 | 721-0509 | 1 | | Seal, Oil |
| 39 | 721-3020A | 1 | S | Seal, Oil |
| 40 | 732-0187 | 1 | | Spring, Compression |
| 41 | 732-04101 | 1 | S | Spring, Detent |
| 42 | 732-0980 | 1 | | Spring, Compression |
| 43 | 736-0355 | 1 | /P | Washer, Flat, .56 x 1.0 x .040 |
| 44 | 736-0463 | 1 | S | Washer, Flat, .25 x .630 x .0515 |
| 45 | 736-0615 | 2 | | Washer, Thrust, 1.007 x 1.542 x .03 |
| 46 | 741-0724 | 1 | | Bearing, Sleeve, 20mm x 23mm x 20mm |
| 47 | 741-0862 | 1 | /P | Ball, Detent |
| 48 | 741-0991 | 2 | | Bearing, Sleeve, 13mm x 15mm x 10mm |
| 49 | 741-1100 | 1 | | Bearing, Ball |
| 50 | 741-1118 | 1 | | Bearing, Needle |
| 51 | 741-3033A | 5 | S | Bearing, Ball |
| 52 | 741-3037 | 2 | S | Bearing, Ball |
| 53 | 741-3057 | 4 | S | Bearing, Ball |

6284 Tractor
PTO Drive 2006 & Before

Page 50 of 70

| Ref # | Part Number | Qty | S/P/F | Description |
|-------|-------------|-----|-------|---|
| 54 | 741-3083 | 1 | | Bearing, Needle Thrust |
| 55 | 748-3094 | 1 | | Arm, PTO Select |
| 56 | 750-1223 | 1 | | Spacer, 13mm x 20mm x 14mm |
| 57 | 750-1228 | 1 | | Spacer, .80 x 1.85 x .855 |
| 58 | 736-0570 | 2 | S | Washer, Flat, .865 x 1.145 x .03 |
| 59 | 750-04422 | 1 | | Spacer, 1.0 x 1.25 x .39 |
| 60 | 736-0566 | 1 | | Washer, Flat, .793 x 1.368 x .025 As required |
| 61 | 711-04413 | 1 | S | Shaft, Aux. Idler |
| 62 | 714-04041 | 1 | | Pin, Cotter, 1/16 x .5 |
| 63 | 716-04048 | 1 | | Ring, Retaining 'E' |
| 64 | 716-04049 | 1 | S | Ring, Retaining |
| 65 | 736-0369 | 1 | S | Washer, Shim, .508 x 1.0 x .020 As required |
| 66 | 736-3105A | 1 | | Washer, Shim, 1.25 x 1.8 x .020 As required |
| 66 | 736-3126 | 1 | S | Washer, Shim, 1.25 x 1.8 x .005 As required |
| 66 | 736-3127 | 1 | S | Washer, Shim, 1.25 x 1.8 x .010 As required |



| Ref # | Part Number | Qty | S/P/F | Description |
|-------|-------------|-----|-------|--|
| 1 | 618-3189 | 1 | | Clutch Assembly, PTO |
| 2 | 619-3076B | 1 | S | Housing, Rear |
| 3 | 710-0751 | 6 | /P | Screw, Hex Cap Lock, 1/4-20 x .62 |
| 4 | 710-1238 | 2 | /P | Screw, Hex Wash Hd, 5/16-18 x .875 GR5 |
| 5 | 710-3006 | 1 | /P | Screw, Cup Set, 5/16-18 x 3/8 |
| 6 | 710-3013 | 1 | /P | Screw, Hex Cap, 1/4-20 x .5 GR5 |
| 7 | 710-3118 | 9 | /P | Screw, Hex Cap Lock, 3/8-16 x 1.0 GR5 |
| 8 | 710-04003A | 6 | /P | Screw, Round Hd, 6mm x 40mm |
| 9 | 711-1325A | 1 | S | Shaft, 540 PTO |
| 10 | 711-04390 | 1 | S | Shaft, PTO Input |
| 11 | 711-1345 | 1 | | Shaft, 2000 PTO |
| 12 | 711-1371 | 1 | | Shaft, PTO Back |
| 13 | 711-1373 | 1 | | Shaft, PTO Actuator |
| 14 | 716-0180 | 4 | | Ring, Retaining |
| 15 | 716-0200 | 1 | | Ring, Retaining |
| 16 | 716-0201 | 1 | | Ring, Retaining |
| 17 | 716-0384 | 1 | | Ring, Retaining |
| 18 | 736-0563 | 1 | | Washer, Flat, .793 x 1.368 x .01 As required |
| 19 | 716-0397 | 1 | /P | Ring, Retaining |
| 20 | 716-0393 | 1 | | Ring, Retaining |
| 21 | 717-3469 | 1 | | Gear, 540 PTO: 81T |
| 22 | 717-04201 | 1 | S | Gear, Auxiliary Drive Idler: 28T |
| 23 | 717-3487 | 1 | | Gear, 2000 PTO: 61T |
| 24 | 717-04189 | 1 | S | Gear, Auxiliary Drive Pinion: 28T |
| 25 | 717-3491A | 1 | S | Gear, Auxiliary Drive: 32T |
| 26 | 717-3492 | 1 | | Gear, 540 PTO Pinion: 14T |
| 27 | 717-3494C | 1 | /P | Gear, 2000 PTO Pinion: 54T |
| 28 | 717-04431 | 1 | | Gear, 2000 PTO Pinion: 34T |
| 29 | 718-04359 | 1 | | Gear, Spline Coupling |
| 30 | 718-0681 | 1 | | Cover, 2000 PTO |
| 31 | 718-3116 | 1 | | Collar, 2 Speed |
| 32 | 718-3134 | 1 | | Coupling, PTO |
| 33 | 719-0551A | 1 | S | Actuator, PTO |
| 34 | 721-0496 | 1 | | Seal, Oil |
| 35 | 721- 04125 | 1 | | Seal, Oil |
| 36 | 721-0500 | 1 | | O-Ring |
| 37 | 721-0504 | 1 | | Plug, Oil |
| 38 | 721-0509 | 1 | | Seal, Oil |
| 39 | 721-3020A | 1 | S | Seal, Oil |
| 40 | 736-0502 | 1 | S | Washer, Hrdn, .58 x 1.06 x .02 As required |
| 40 | 736-04266 | 1 | | Washer, Hrdn, .58 x .875 x .01 As required |
| 41 | 732-04440 | 1 | | Spring, Detent |
| 42 | 732-0980 | 1 | | Spring, Compression |
| 43 | 750-04804 | 1 | | Spacer, .568 x .75 x 2.68 |
| 44 | 736-0463 | 1 | S | Washer, Flat, .25 x .630 x .0515 |
| 45 | 736-0615 | 2 | | Washer, Thrust, 1.007 x 1.542 x .03 |
| 46 | 741-0724 | 1 | | Bearing, Sleeve, 20mm x 23mm x 20mm |
| 47 | 741-0862 | 1 | /P | Ball, Detent |
| 48 | 741-0991 | 2 | | Bearing, Sleeve, 13mm x 15mm x 10mm |
| 49 | 741-1100 | 1 | | Bearing, Ball |
| 50 | 741-1118 | 1 | | Bearing, Needle |
| 51 | 741-3033A | 5 | S | Bearing, Ball |
| 52 | 741-3037 | 2 | S | Bearing, Ball |

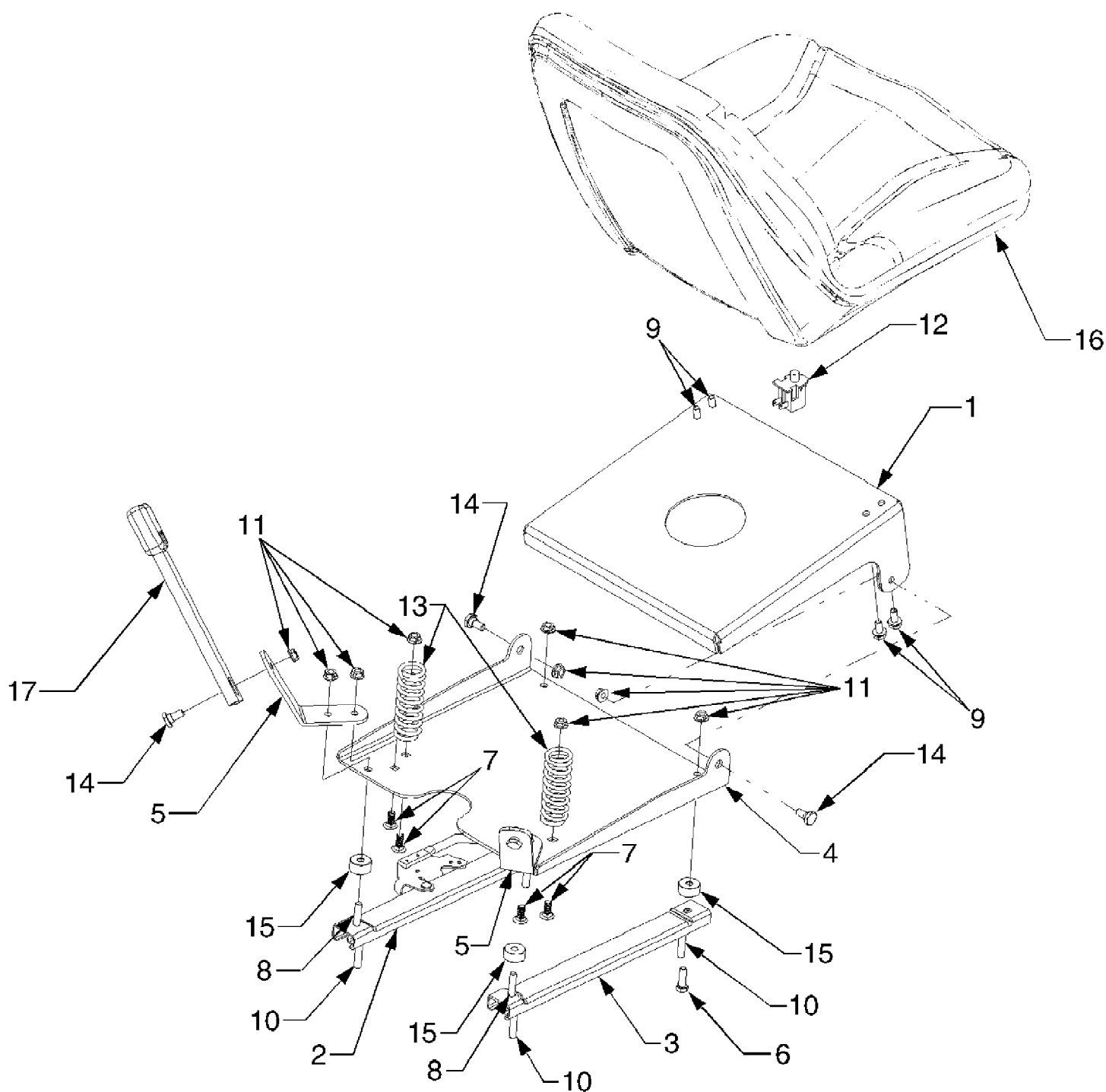
6284 Tractor
PTO Drive 2007 & After

Page 53 of 70

| Ref # | Part Number | Qty | S/P/F | Description |
|-------|-------------|-----|-------|---|
| 53 | 741-3057 | 4 | S | Bearing, Ball |
| 54 | 741-3083 | 1 | | Bearing, Needle Thrust |
| 55 | 748-3094 | 1 | | Arm, PTO Select |
| 56 | 750-1223 | 1 | | Spacer, 13mm x 20mm x 14mm |
| 57 | 750-1228 | 1 | | Spacer, .80 x 1.85 x .855 |
| 58 | 736-0570 | 2 | S | Washer, Flat, .865 x 1.145 x .03 |
| 59 | 750-04422 | 1 | | Spacer, 1.0 x 1.25 x .39 |
| 60 | 736-0566 | 1 | | Washer, Flat, .793 x 1.368 x .025 As required |
| 61 | 711-04413 | 1 | S | Shaft, Aux. Idler |
| 62 | 714-04041 | 1 | | Pin, Cotter, 1/16 x .5 |
| 63 | 716-04048 | 1 | | Ring, Retaining 'E' |
| 64 | 716-04049 | 1 | S | Ring, Retaining |
| 65 | 736-0369 | 1 | S | Washer, Shim, .508 x 1.0 x .020 As required |
| 66 | 736-3105A | 1 | | Washer, Shim, 1.25 x 1.8 x .020 As required |
| 66 | 736-3126A | 1 | | Washer, Shim, 1.25 x 1.8 x .005 As required |
| 66 | 736-3127 | 1 | S | Washer, Shim, 1.25 x 1.8 x .010 As required |
| 67 | 736-0454 | 1 | S | Washer, Shim, .915 x 1.37 x .01 As required |
| 68 | 736-04095 | 1 | S | Washer, Shim, 1.515 x 2.0 x .005 As required |
| 68 | 736-04096 | 1 | S | Washer, Shim, 1.515 x 2.0 x .015 As required |



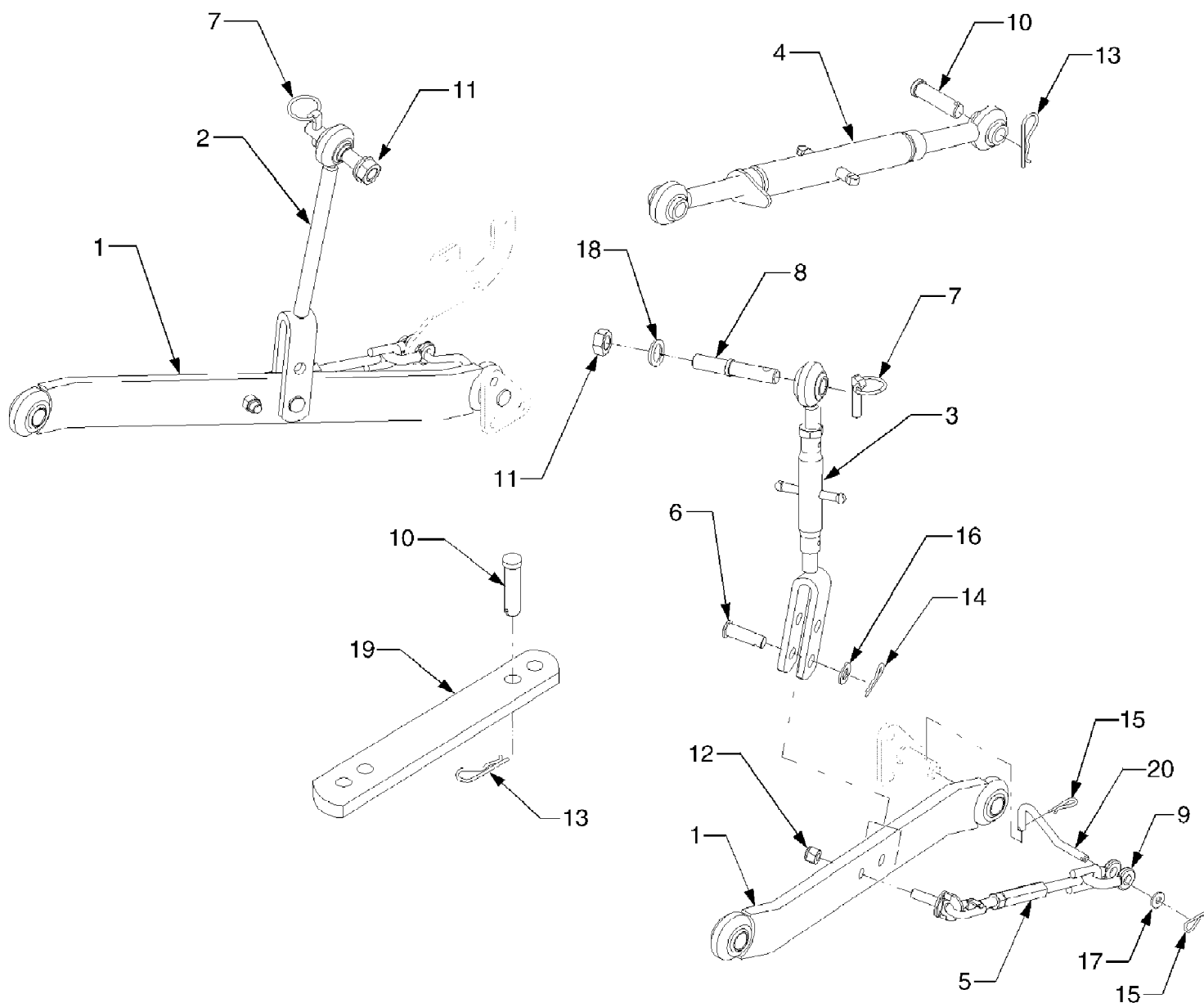
| Ref # | Part Number | Qty | S/P/F | Description |
|-------|-------------|-----|-------|---|
| | 751-3194 | 1 | /P | Air Filter |
| | 759-04027 | 1 | | Fuel Filter |
| | 723-04032A | 1 | | Hydraulic Filter use with 619-04163 Housing Ass'y, Reverse Flow |
| | 723-3014 | 1 | S | Hydro Filter |
| | 711-1105 | 1 | /P | Klik Pin |
| | 751-3188 | 1 | /P | Fuel Cap |
| | 759-3950 | 1 | S | Ignition Keys |
| | 725-3277 | 1 | S | Ignition Switch Module |
| | 725-04076 | 1 | S | P.T.O. Switch |
| | 725-04232 | 1 | | Brake Switch |
| | 725-3167 | 1 | S | Brake Light Switch |
| | 725-3273 | 1 | | P.T.O. Reverse Switch |
| | 725-3164A | 1 | S | Reverse Switch |
| | 725-3279B | 1 | /P | Hazard Switch |
| | 725-1648 | 1 | S | Starter Relay |
| | 725-1648 | 1 | S | P.T.O. Relay |
| | 725-3274 | 1 | | Headlight Switch |
| | 725-3161A | 1 | S | Headlight Bulb |
| | 02002058 | 1 | | Engine Oil Rimula |
| | 737-3025 | 1 | /P | Transmission Fluid |
| | 737-3065 | 1 | /P | Front Axle Fluid |



6284 Tractor
Seat Assembly

Page 57 of 70

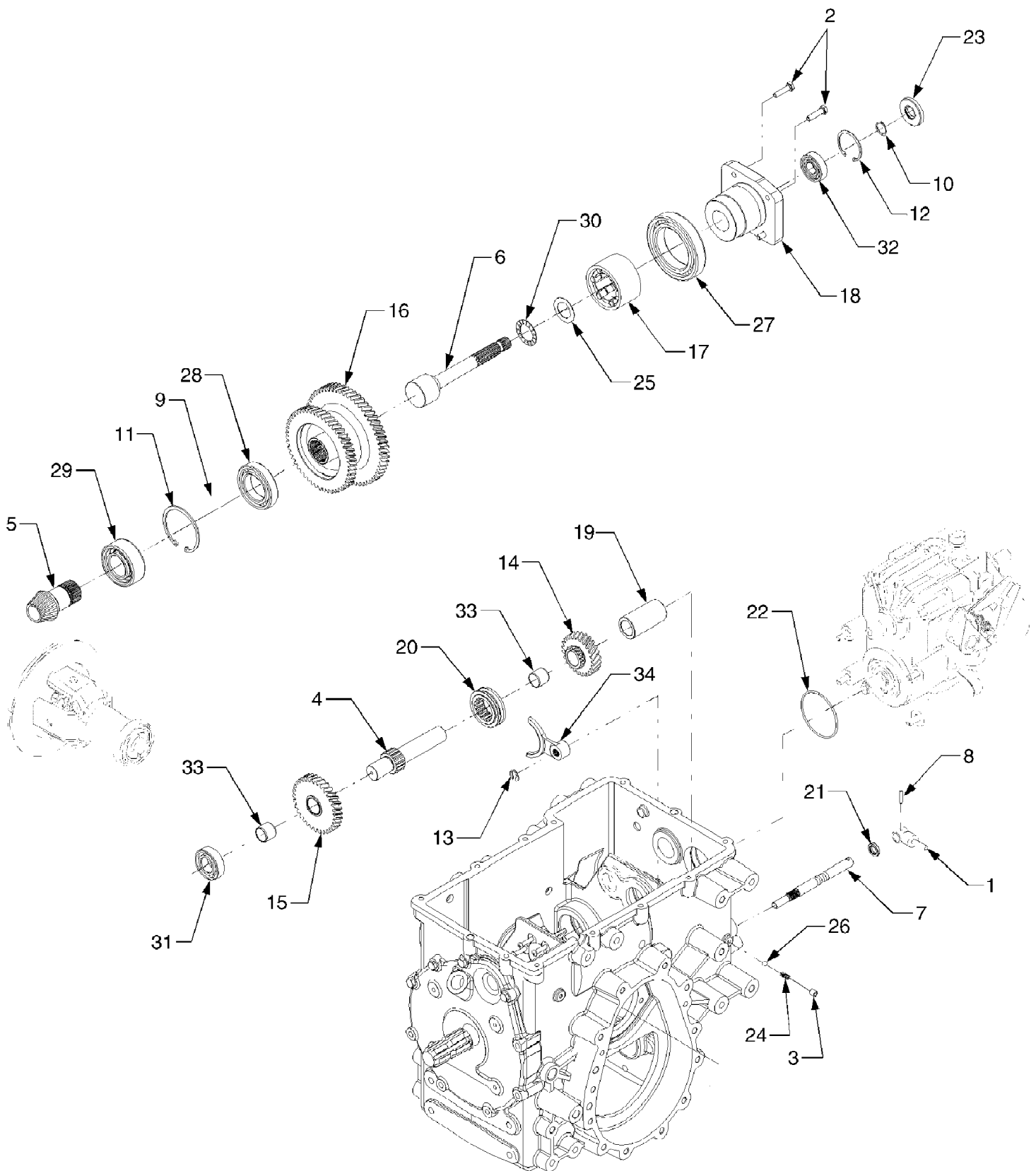
| Ref # | Part Number | Qty | S/P/F | Description |
|-------|---------------|-----|-------|---------------------------------------|
| 1 | 603-0860-0637 | 1 | | Support, Seat - Upper |
| 2 | 603-0866 | 1 | | Track Ass'y., Seat w/Latch |
| 3 | 703-3208 | 1 | | Track Ass'y., Seat w/o Latch |
| 4 | 703-3681A | 1 | /P | Tray, Lower Seat |
| 5 | 703-3711 | 2 | | Bracket, Seat Belt |
| 6 | 710-0376 | 2 | /P | Screw, Hex Cap, 5/16-18 x 1.0 GR5 |
| 7 | 710-0451 | 4 | /P | Screw, Carriage, 5/16-18 x .75 |
| 8 | 710-0528 | 2 | /P | Screw, Hex Cap, 5/16-18 x 1.25 GR5 |
| 9 | 710-0759 | 4 | | Screw, Hex Flange, 5/16-18 x .625 GR5 |
| 10 | 710-3250 | 4 | /P | Screw, Socket Hd Cap, 5/16-18 x 1.5 |
| 11 | 712-3004A | 12 | /P | Nut, Hex Flange Lock, 5/16-18 |
| 12 | 725-3167 | 1 | S | Switch, Snap Mount (N.O.) |
| 13 | 732-3080A | 2 | /P | Spring, Compression, 1.28 x 3.5 |
| 14 | 738-0140 | 4 | S | Screw, Shoulder, .435 x .178-5/16-18 |
| 15 | 750-0258 | 4 | /P | Spacer, .315 x .750 x .375 |
| 16 | 757-04006 | 1 | S | Seat, High Back |
| | 777D06883 | 1 | /P | Graphic, Cub Cadet |
| | 777D01782 | 1 | /P | Graphic, USA |
| 17 | 757-3013 | 1 | | Belt Assembly, Seat |



6284 Tractor
Three Point Hitch

Page 59 of 70

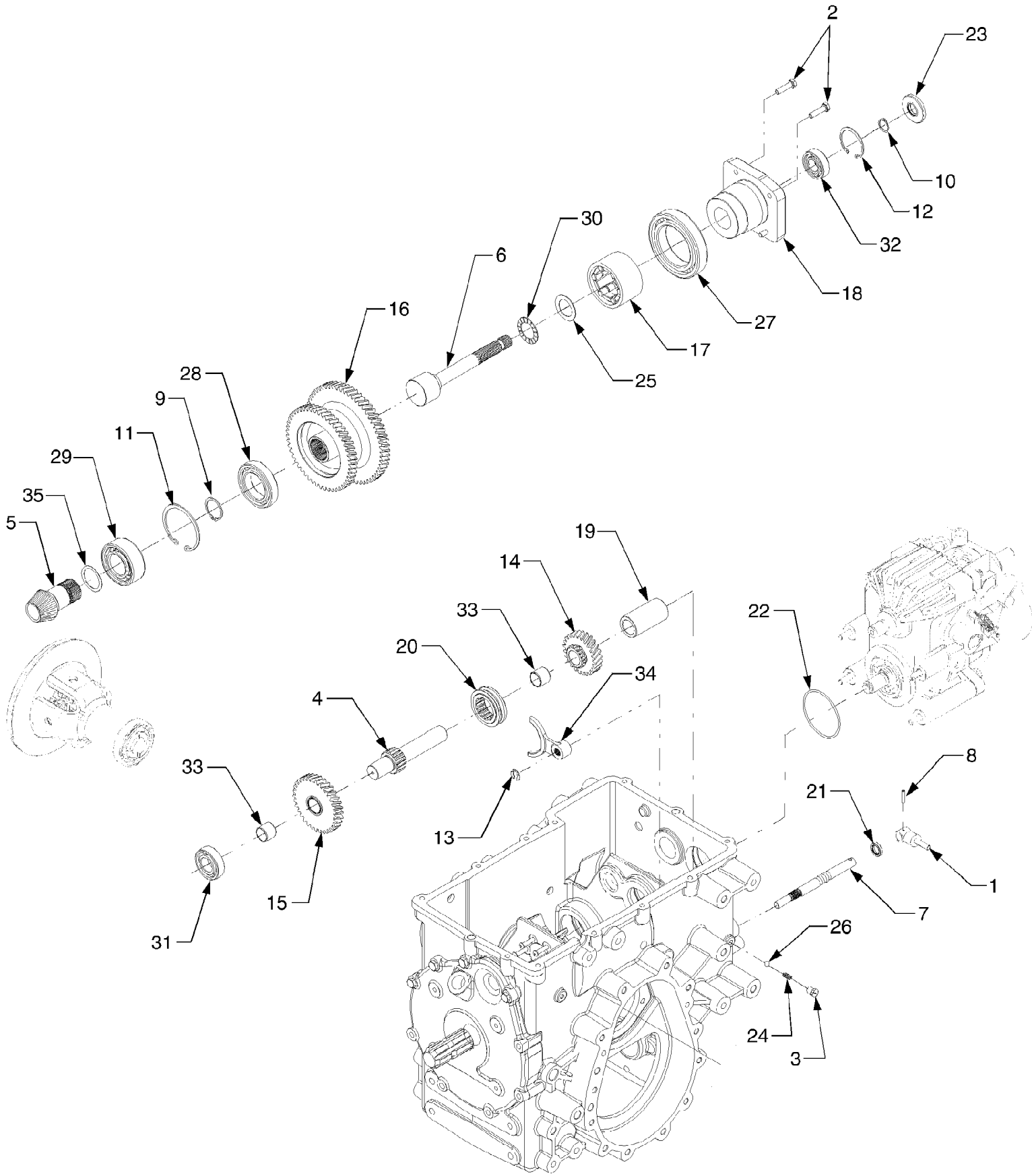
| Ref # | Part Number | Qty | S/P/F | Description |
|-------|-------------|-----|-------|-----------------------------------|
| 1 | 603-0750 | 2 | S | Link, Lower Hitch |
| 2 | 603-0756 | 1 | | Link, Lift - Fixed |
| 3 | 603-0757 | 1 | | Link, Lift - Adjustable |
| 4 | 603-0765 | 1 | | Link, Upper Center |
| 5 | 603-0933 | 2 | | Chain Assembly, Check |
| 6 | 711-0174 | 2 | /P | Pin, Clevis, .624 Dia. |
| 7 | 711-1105 | 2 | /P | Pin, Klik, 1.75 Lg. |
| 8 | 711-1432 | 2 | | Pin, Upper Lift Arm |
| 9 | 711-1622 | 2 | | 'U' Clevis, Check Chain |
| 10 | 711-1648 | 2 | | Pin, Clevis, .75 x 2.75 |
| 11 | 712-0301 | 2 | /P | Nut, Hex, 3/4-10 GR5 |
| 12 | 712-3058 | 2 | S | Nut, Hex Insert Lock, 1/2-20 |
| 13 | 714-0117 | 2 | /P | Pin, Internal Cotter, .148 x 3.0 |
| 14 | 714-0147 | 2 | /P | Pin, Internal Cotter, .125 x 1.75 |
| 15 | 714-0149B | 4 | S | Pin, Internal Cotter |
| 16 | 736-0156 | 2 | /P | Washer, Flat, .635 x 1.12 x .09 |
| 17 | 736-0262 | 2 | /P | Washer, Flat, .385 x .87 x .09 |
| 18 | 736-0364 | 2 | S | Washer, Lock, 3/4 |
| 19 | 703-3553 | 1 | /P | Bar, Draw |
| 20 | 747-04014 | 2 | | Pin, Double Clevis |



6284 Tractor
Traction Drive 4WD 2006 & Before

Page 61 of 70

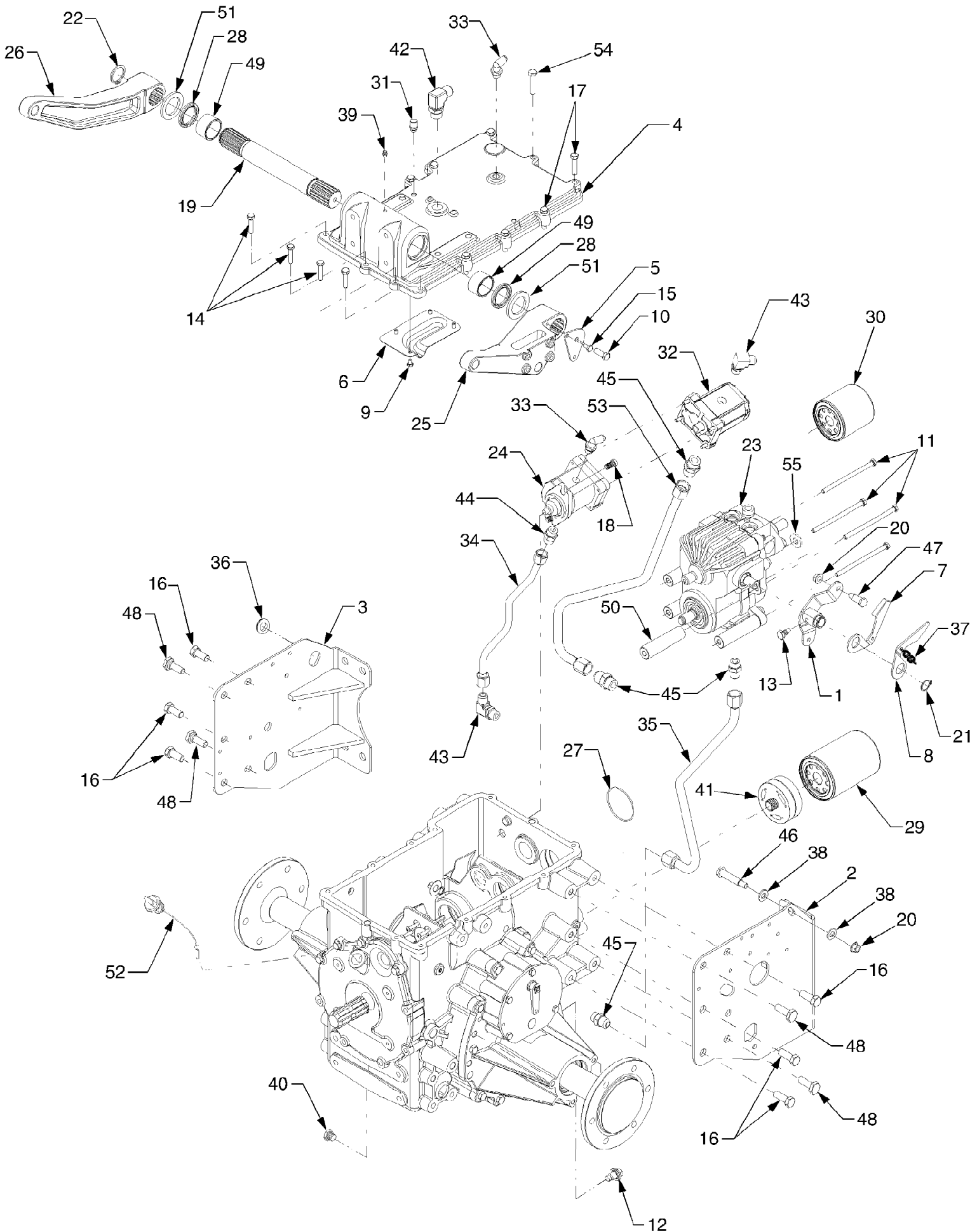
| Ref # | Part Number | Qty | S/P/F | Description |
|-------|-------------|-----|-------|---|
| 1 | 603-04096 | 1 | S | Pin Assembly, 2 Speed |
| 2 | 710-0573 | 4 | | Screw, Hex Cap Lock, 5/16-18 x 1.25 GR5 |
| 3 | 710-3006 | 1 | /P | Screw, Cup Set, 5/16-18 x 3/8 |
| 4 | 711-1339 | 1 | | Shaft, Motor |
| 5 | 711-04345 | 1 | S | Shaft, Pinion, 16T |
| 6 | 711-1372 | 1 | | Shaft, 4WD |
| 7 | 711-1397 | 1 | | Shaft, 2 Speed Actuator |
| 8 | 715-0120 | 1 | S | Pin, Spirol, 3/16 x 1.25 |
| 9 | 716-04041 | 1 | | Ring, E Retaining |
| 10 | 716-0384 | 1 | | Ring, Retaining |
| 11 | 716-0387 | 1 | | Ring, Retaining |
| 12 | 716-0393 | 1 | | Ring, Retaining |
| 13 | 716-0396 | 1 | | Clip, Rotor |
| 14 | 717-3472 | 1 | | Gear, Drive Pinion, LO 24T:17T |
| 15 | 717-3473 | 1 | | Gear, Drive Pinion, HI 33T: 17T |
| 16 | 717-3480 | 1 | | Gear, Drive, LO:59T; HI 50T |
| 17 | 717-3484 | 1 | | Clutch, Overrunning |
| 18 | 718-0674 | 1 | | Cover, Front |
| 19 | 718-0678 | 1 | | Spacer, Drive |
| 20 | 718-3116 | 1 | | Collar, 2 Speed |
| 21 | 721-0496 | 1 | | Seal, Oil |
| 22 | 721-0501 | 1 | | O-Ring |
| 23 | 721-0507 | 1 | | Seal, Oil |
| 24 | 732-04101 | 1 | S | Spring, Detent |
| 25 | 736-0715 | 1 | | Washer, Thrust |
| 26 | 741-0862 | 1 | /P | Ball, Detent |
| 27 | 741-1106 | 1 | | Bearing, Ball |
| 28 | 741-1107 | 1 | | Bearing, Ball |
| 29 | 741-1109 | 1 | | Bearing, Angular Contact Ball |
| 30 | 741-1112 | 1 | | Bearing, Thrust |
| 31 | 741-3037 | 1 | S | Bearing, Ball |
| 32 | 741-3057 | 1 | S | Bearing, Ball |
| 33 | 741-3118 | 2 | | Bearing, Sleeve |
| 34 | 748-3096 | 1 | | Yoke, 2 Speed |



6284 Tractor
Traction Drive 4WD 2007 & After

Page 63 of 70

| Ref # | Part Number | Qty | S/P/F | Description |
|-------|-------------|-----|-------|---|
| 1 | 603-04096 | 1 | S | Pin Assembly, 2 Speed |
| 2 | 710-0573 | 4 | | Screw, Hex Cap Lock, 5/16-18 x 1.25 GR5 |
| 3 | 737-04169 | 1 | | Plug, Detent |
| 4 | 711-1339 | 1 | | Shaft, Motor |
| 5 | 711-04345 | 1 | S | Shaft, Pinion, 16T |
| 6 | 711-1372 | 1 | | Shaft, 4WD |
| 7 | 711-04681 | 1 | S | Shaft, Hi-Lo Detent Shift |
| 8 | 715-0136 | 1 | S | Pin, Spirol, 3/16 x 1.25 HD |
| 9 | 716-04041 | 1 | | Ring, E Retaining |
| 10 | 716-0384 | 1 | | Ring, Retaining |
| 11 | 716-0387 | 1 | | Ring, Retaining |
| 12 | 716-0393 | 1 | | Ring, Retaining |
| 13 | 716-0396 | 1 | | Clip, Rotor |
| 14 | 717-3472 | 1 | | Gear, Drive Pinion, LO 24T:17T |
| 15 | 717-3473 | 1 | | Gear, Drive Pinion, HI 33T: 17T |
| 16 | 717-3480 | 1 | | Gear, Drive, LO:59T; HI 50T |
| 17 | 717-3484 | 1 | | Clutch, Overrunning |
| 18 | 718-0674 | 1 | | Cover, Front |
| 19 | 718-0678 | 1 | | Spacer, Drive |
| 20 | 718-04351 | 1 | | Collar, 2 Speed |
| 21 | 721-0496 | 1 | | Seal, Oil |
| 22 | 721-0501 | 1 | | O-Ring |
| 23 | 721-0507 | 1 | | Seal, Oil |
| 24 | 732-04439 | 1 | | Spring, Detent |
| 25 | 736-0715 | 1 | | Washer, Thrust |
| 26 | 741-04209 | 1 | | Ball, Detent |
| 27 | 741-1106 | 1 | | Bearing, Ball |
| 28 | 741-1107 | 1 | | Bearing, Ball |
| 29 | 741-1109 | 1 | | Bearing, Angular Contact Ball |
| 30 | 741-1112 | 1 | | Bearing, Thrust |
| 31 | 741-3037 | 1 | S | Bearing, Ball |
| 32 | 741-3057 | 1 | S | Bearing, Ball |
| 33 | 741-3118 | 2 | | Bearing, Sleeve |
| 34 | 748-3096 | 1 | | Yoke, 2 Speed |
| 35 | 736-04194 | 1 | | Washer, Flat, 1.38 x 1.8 x .004 AR |



6284 Tractor
Transmission 4WD

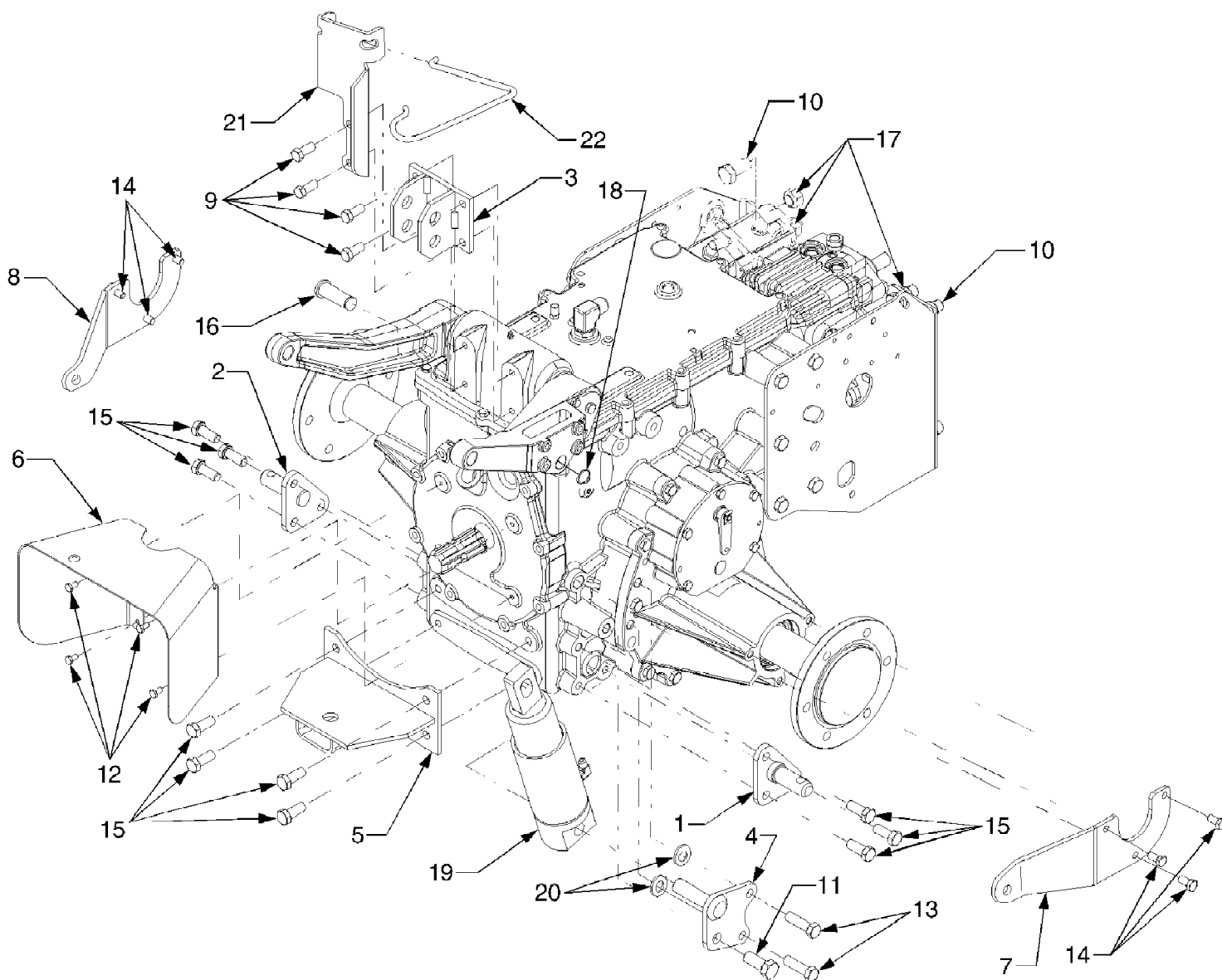
Page 65 of 70

| Ref # | Part Number | Qty | S/P/F | Description |
|-------|-------------|-----|-------|---|
| 1 | 603-0688A | 1 | /P | Arm, Hydro Control |
| 2 | 603-0712A | 1 | | Bracket, Transmission Mtg. RH |
| 3 | 603-0713A | 1 | S | Bracket, Transmission Mtg. RH |
| 4 | 619-04075A | 1 | S | Cover, Transmission Housing |
| 5 | 703-3577 | 1 | | Plate, Feedback |
| 6 | 703-3715A | 1 | /P | Baffle, Oil |
| 7 | 703-05041 | 1 | | Arm, Neutral RH |
| 8 | 703-05042 | 1 | | Arm, Neutral LH |
| 9 | 710-0294 | 4 | | Screw, Hex Cap, 1/4-20 x .375 GR5 |
| 10 | 710-0591 | 1 | /P | Screw, Hex Cap Lock, 3.8-24 x 1.0 GR5 |
| 11 | 710-0833 | 4 | /P | Screw, Hex Cap, 5/16-18 x 5.25 GR5 |
| 12 | 710-1633 | 1 | | Screw, Plug, M14 x 1.5 x .827 |
| 13 | 710-1853 | 1 | | Screw, Hex Special Set, 5/16-18 x .625 |
| 14 | 710-3005 | 4 | /P | Screw, Hex Cap, 3/8-16 x 1.25 GR5 |
| 15 | 710-3013 | 1 | /P | Screw, Hex Cap, 1/4-20 x .5 GR5 |
| 16 | 710-3032 | 6 | /P | Screw, Hex Cap, 1/2-13 x 1.25 GR5 |
| 17 | 710-3120 | 8 | | Screw, Hex Cap Lock, 3/8-16 x 1.5 GR5 |
| 18 | 710-3262 | 2 | | Screw, Low Hd. Cap, 3/8-16 x .75 |
| 19 | 711-1355 | 1 | | Shaft, Rock |
| 20 | 712-0431 | 2 | S | Nut, Hex Flange Lock, 3/8-16 |
| 21 | 716-0111 | 1 | /P | Ring, Retaining |
| 22 | 716-0195 | 1 | | Ring, Retaining |
| 23 | 717-3507 | 1 | S | Pump, Hydrostatic Transmission |
| 24 | 718-3131A | 1 | S | Pump, Auxiliary Hydraulic |
| 25 | 719-3166 | 1 | | Arm, Upper Hitch RH |
| 26 | 719-3167 | 1 | | Arm, Upper Hitch LH |
| 27 | 721-0501 | 1 | | O-Ring, 2.987 ID x .103 Dia |
| 28 | 721-0510 | 2 | | Seal, Oil, 1.5 x 2.0 x .25 |
| 29 | 723-04032A | 1 | F | Filter, Oil used with 619-04163 Housing Ass'y, Reverse Flow |
| 29 | 723-3071 | 1 | F | Filter, Oil used with 737-3105 Fitting, Nipple |
| 30 | 723-3014 | 1 | S | Filter, Oil |
| 31 | 723-3021 | 1 | /P | Breather, Transmission |
| 32 | 718-3138 | 1 | S | Auxiliary Hydraulic Pump |
| 32 | 759-3964 | 2 | | Pin, Dowel not shown |
| 32 | 759-3965 | 4 | S | Bolt, Mounting not shown |
| 32 | 759-3966 | 1 | | Coupler, Splined not shown |
| 33 | 727-3012 | 2 | /P | Fitting, 90 degree |
| 34 | 727-3176 | 1 | | Tube, Auxiliary Pump Suction ... |
| 35 | 727-3181 | 1 | | Tube, Hydro Suction |
| 36 | 731-04018 | 1 | | Grommet |
| 37 | 732-1162 | 1 | | Spring, Extension |
| 38 | 736-3052 | 2 | /P | Washer, Flat, .406 x 1.0 x .105 |
| 39 | 737-0146 | 1 | S | Fitting, Grease |
| 40 | 737-0349 | 1 | | Plug, Fitting |
| 41 | 619-04163 | 1 | S | Housing Ass'y, Reverse Flow |
| 41 | 737-3105 | 1 | | Fitting, Filter Nipple, 1 inch not shown |
| 42 | 737-3108 | 1 | | Fitting, 90 degree |
| 43 | 737-3111 | 2 | | Fitting, 90 degree |
| 44 | 737-3112 | 1 | | Fitting, Straight |
| 45 | 737-3113 | 4 | | Fitting, Straight |
| 46 | 738-0108 | 1 | S | Screw, Shoulder, .498 Dia x 1.45 |

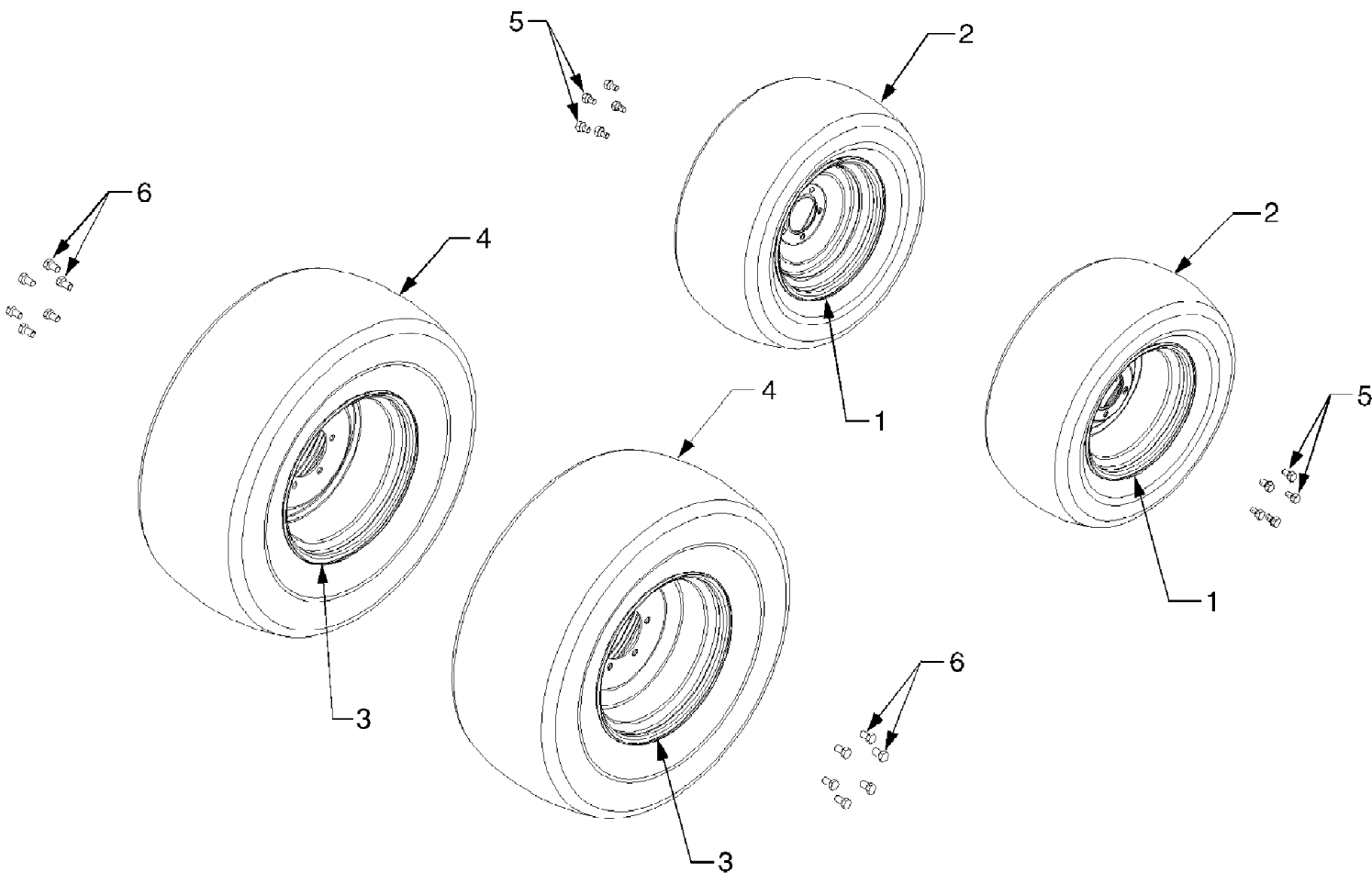
6284 Tractor
Transmission 4WD

Page 66 of 70

| Ref # | Part Number | Qty | S/P/F | Description |
|-------|-------------|-----|-------|---|
| 47 | 738-0430 | 1 | | Screw, Shoulder, .50 Dia x .685 |
| 48 | 738-04001 | 4 | | Screw, Shoulder, .625 x .18: 1/2-13 |
| 49 | 741-1110 | 2 | | Bearing, Sleeve, 1.52 x 1.75 x 1.0 |
| 50 | 750-1208 | 4 | | Spacer, .40 x 1.0 x 3.9 |
| 51 | 750-1239 | 2 | | Spacer, 1.52 x 2.25 x .188 |
| 52 | 737-04018 | 1 | | Dipstick |
| 53 | 727-3206 | 1 | | Tube, Tandem Pump Suction |
| 54 | 710-0347 | 1 | /P | Screw, Hex Cap, 3/8-16 x 1.25 GR5 Added Mfg. Date A166 - Replaces (1) 710-3120 |
| 55 | 736-3074 | 1 | /P | Washer, Flat, .349 x 1.12 x .125 Hrd |
| | 737-3025 | 1 | /P | Transmission Oil, 1 Qt. 6.5 Gal, not shown |
| | 737-3062 | 1 | /P | Transmission Oil, 1 Gal. not shown |
| | 737-3035 | 1 | /P | Transmission Oil, 5 Gal. not shown |
| | 759-3958 | 1 | | Sealant, Loctite(R) Black, 5.3 oz. AR, not shown |



| Ref # | Part Number | Qty | S/P/F | Description |
|-------|----------------|-----|-------|----------------------------------|
| 1 | 603-0748-0637 | 1 | /P | Bracket, Lower Hitch RH |
| 2 | 603-0751-0637 | 1 | /P | Bracket, Lower Hitch LH |
| 3 | 603-0753-0637 | 1 | /P | Bracket, Top Link |
| 4 | 603-0754A-0637 | 1 | /P | Bracket, Cylinder |
| 5 | 603-0758-0637 | 1 | /P | Bracket, Drawbar |
| 6 | 703-3542A | 1 | /P | Shield, PTO |
| | 777S30634 | 1 | | Graphic, Warning |
| 7 | 703-3548A | 1 | /P | Bracket, Chain LH |
| 8 | 703-3549A | 1 | /P | Bracket, Chain RH |
| 9 | 710-0505 | 4 | /P | Screw, Hex Cap 7/16-14 x 1/0 GR5 |
| 10 | 710-0964A | 8 | | Screw, Hex Cap 5/8-18 x 1.31 GR5 |
| 11 | 710-1515 | 1 | | Screw, Hex Cap 5/8-11 x 1.5 GR5 |
| 12 | 710-3039 | 4 | /P | Screw, Hex Cap 5/16-18 x .5 GR5 |
| 13 | 710-3067 | 2 | /P | Screw, Hex Cap 1/2-13 x 1.75 GR5 |
| 14 | 710-3119 | 6 | /P | Screw, Hex Cap 3/8-16 x .75 GR5 |
| 15 | 710-3131 | 10 | /P | Screw, Hex Cap 1/2-13 x 1.0 GR5 |
| 16 | 711-1503 | 1 | | Pin, Lift, .75 x 2.125 |
| 17 | 712-3063 | 8 | | Nut, Hex Lock, 5/8-18 |
| 18 | 716-0101 | 1 | S | Ring, Snap, 75 Dia |
| 19 | 717-3504 | 1 | S | Cylinder, Lift |
| 20 | 736-0192 | 2 | S | Washer, Flat, .531 x .93 x .09 |
| 21 | 703-05133 | 1 | | Bracket, Hitch Clip |
| 22 | 747-04109 | 1 | | Rod, Top Link Retainer |



6284 Tractor
Wheels

Page 70 of 70

| Ref # | Part Number | Qty | S/P/F | Description |
|-------|-------------|-----|-------|--|
| 1 | 634-3045 | 2 | | Rim, TURF Tire - Front |
| | 634-04018 | 2 | | Rim, INDUSTRIAL Tire - Front |
| | 734-0255 | 2 | S | Valve Stem |
| 2 | 734-3122 | 2 | S | Tire, Turf |
| | 734-04020 | 2 | | Tire, Industrial - Mfg. Code 1F065G & Before ("Unitrac") |
| | 734-04189 | 2 | | Tire, Industrial - Mfg. Code 1F075G & After ("Trac Chief") |
| 3 | 634-3046 | 2 | | Rim, TURF Tire - Rear |
| | 634-04017 | 2 | | Rim, INDUSTRIAL Tire - Rear |
| | 734-0255 | 2 | S | Valve Stem |
| 4 | 734-3124 | 2 | | Tire, Turf |
| | 734-04013 | 2 | | Tire, Industrial |
| 5 | 710-1808 | 10 | | Screw, Lug, M12 |
| 6 | 710-3294 | 12 | | Bolt, Lug, M14 x 1.5 x 20 |