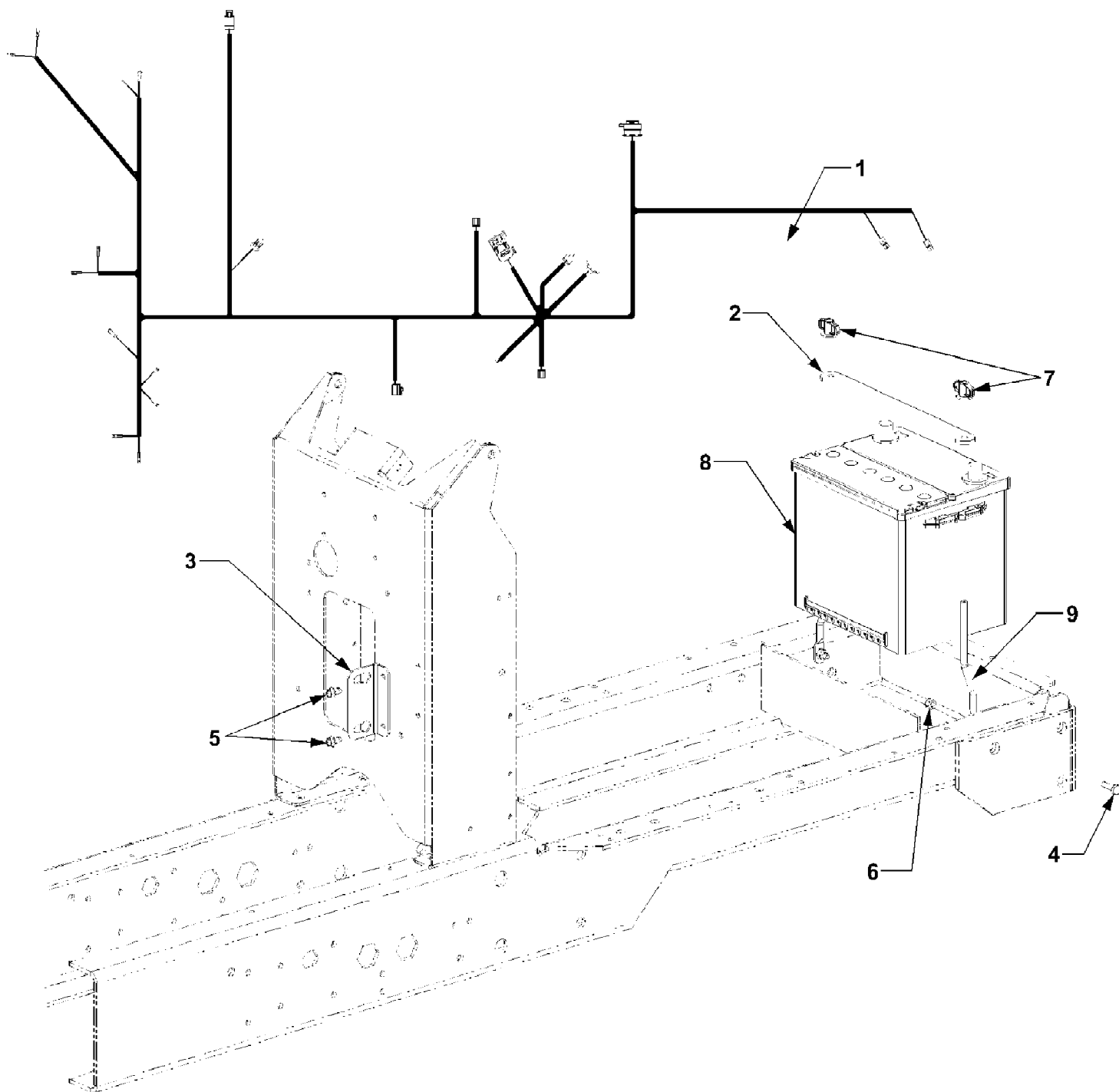


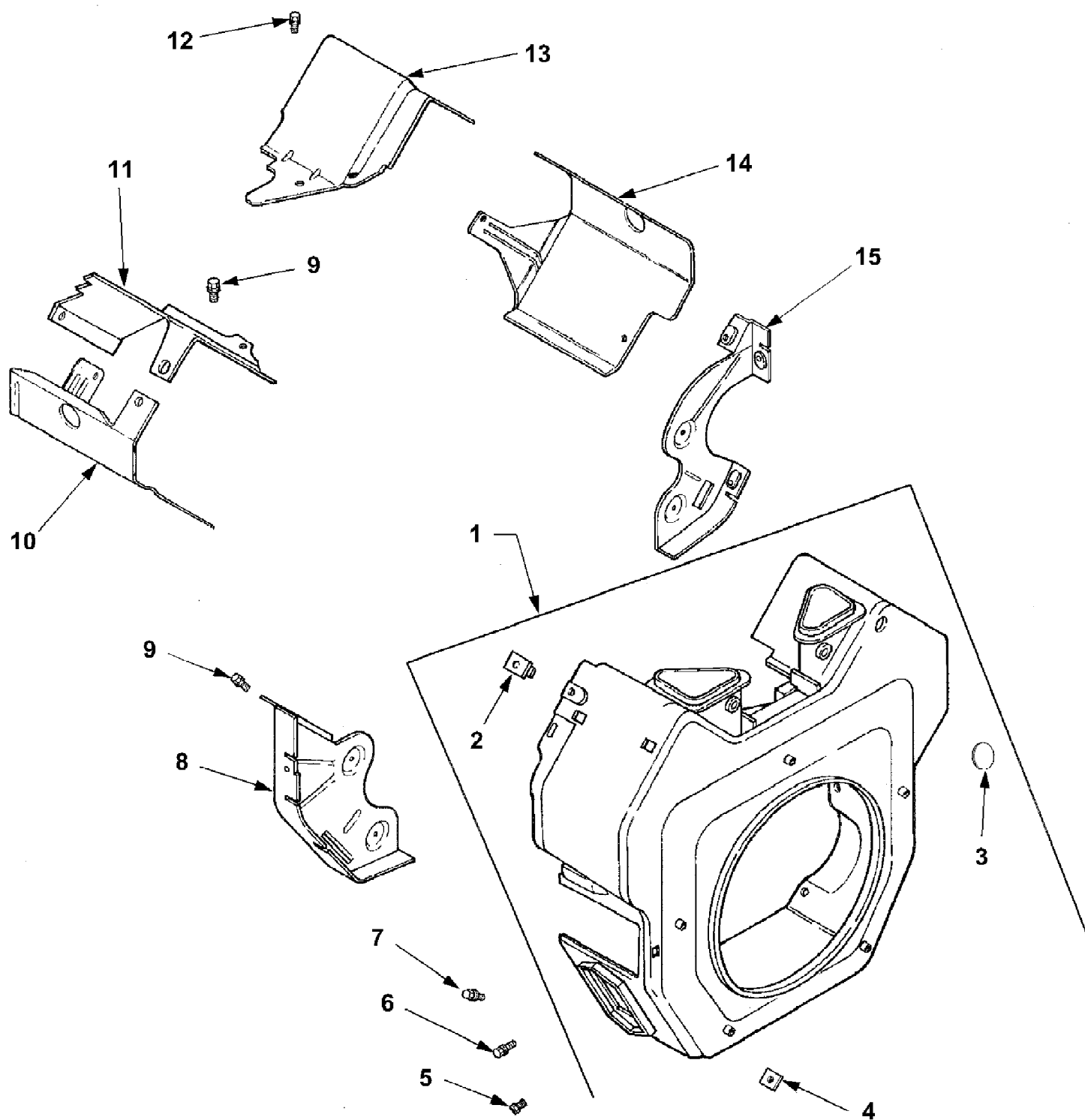
Ref #	Part Number	Qty	S/P/F	Description
1	KH-54-755-01-S	1	/P	Kit, Knob w/Seal (Incl. Ref #2,3)
2	KH-25-341-03	1	/P	Knob, Cover
3	KH-24-153-20-S	1		Seal, Air Cleaner Cover Knob
4	KH-24-096-69-S	1	/P	Cover, Air Cleaner
5	KH-12-100-01	1	/P	Wing Nut
6	KH-24-096-01	1	/P	Cover, Inner Air Cleaner
7	KH-24-032-03	1	/P	Seal, Inner Air Cleaner
8	KH-24-083-05-S	1	S	Precleaner, Element, 71mm deep
9	KH-24-083-03-S	1	S	Element, Air Cleaner, 74mm deep
10	KH-M-0639016-S	3		Screw, Hex Flange, M6 x 1.0 x16
11	KH-24-126-21	1		Bracket, Air Cleaner Base
12	KH-24-094-24-S	1	S	Base, Air Cleaner
13	KH-24-041-06	1	/P	Gasket, Air Cleaner Base
14	KH-M-651040-S	4		Screw, Hex Flange, M6 x 1.0 x 40
15	KH-24-164-54-S	1	S	Manifold, Intake (Includes Ref. Nos. 16 and 17)
16	KH-24-153-27-S	2	/P	O-Ring, Intake Manifold
17	KH-24-041-53-S	1		Gasket, Carburetor
18	KH-M-0545010	2	/P	Screw, Hex Flng, M5 x 0.8 x 10
19	KH-24-126-130-S	1		Bracket, Air Cleaner Base



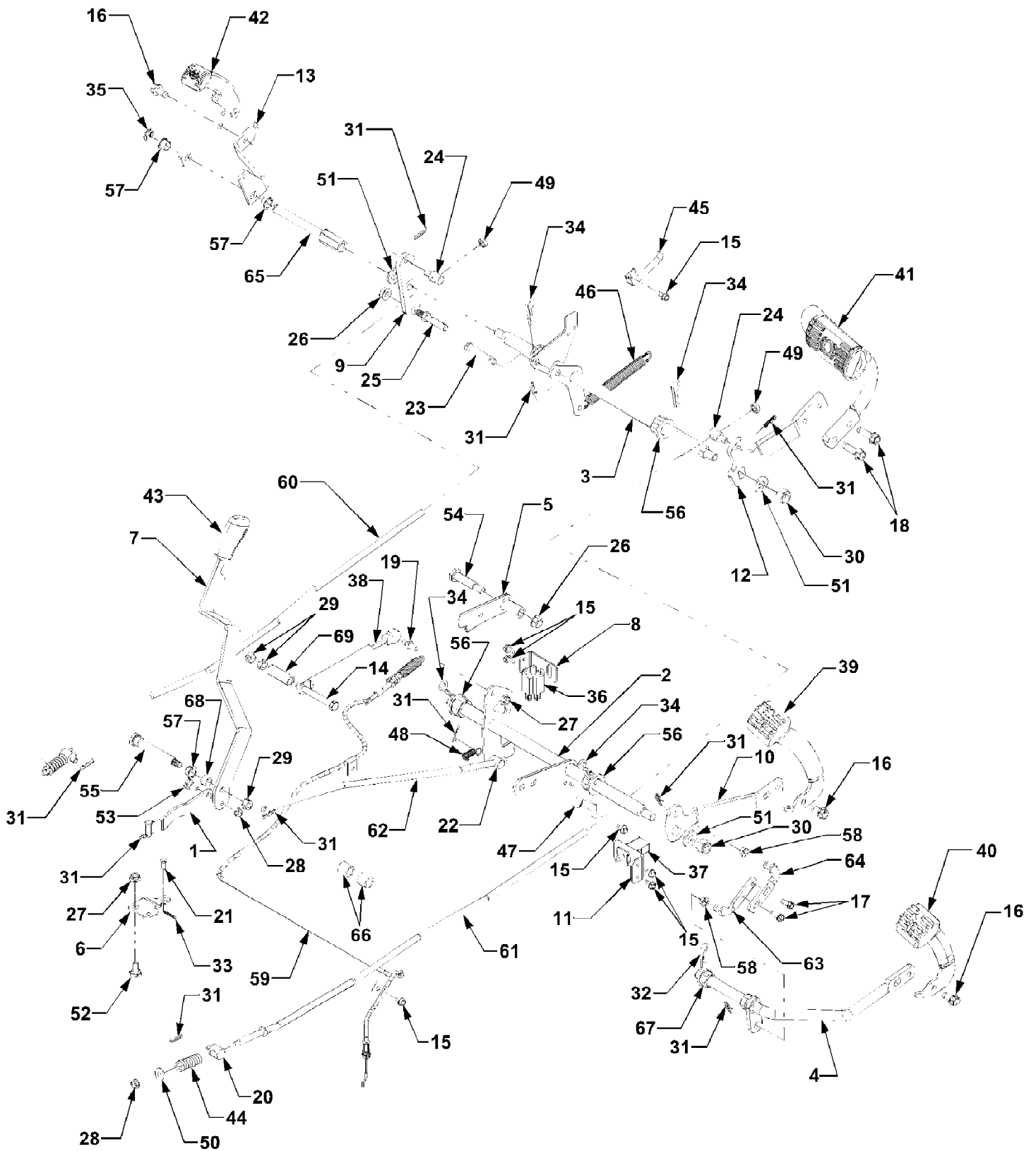
5252E Tractor S/N 1J015G & Before
Battery And Electrical

Page 4 of 73

Ref #	Part Number	Qty	S/P/F	Description
1	629-3085	1	S	Harness, Main Wire
2	703-4104-0637	1	/P	Strap, Battery Holddown
3	703-4131	1	S	Bracket, Fuse Center
4	710-0206	2	/P	Screw, Hex Cap, 1/4-10 x .875 GR5
5	710-0599	2	/P	Screw, Hex Wash Hd. Tapp 1/4-20 x .5
6	712-0324	2	/P	Nut, Hex Nylon Insert Lock, 1/4-20
7	712-0421	2		Nut, Wing w/Bell Washer, 5/16-18
8	725-3174	1	S	Battery, 500 cca Dry
9	747-3433	2		Rod, Battery Holddown

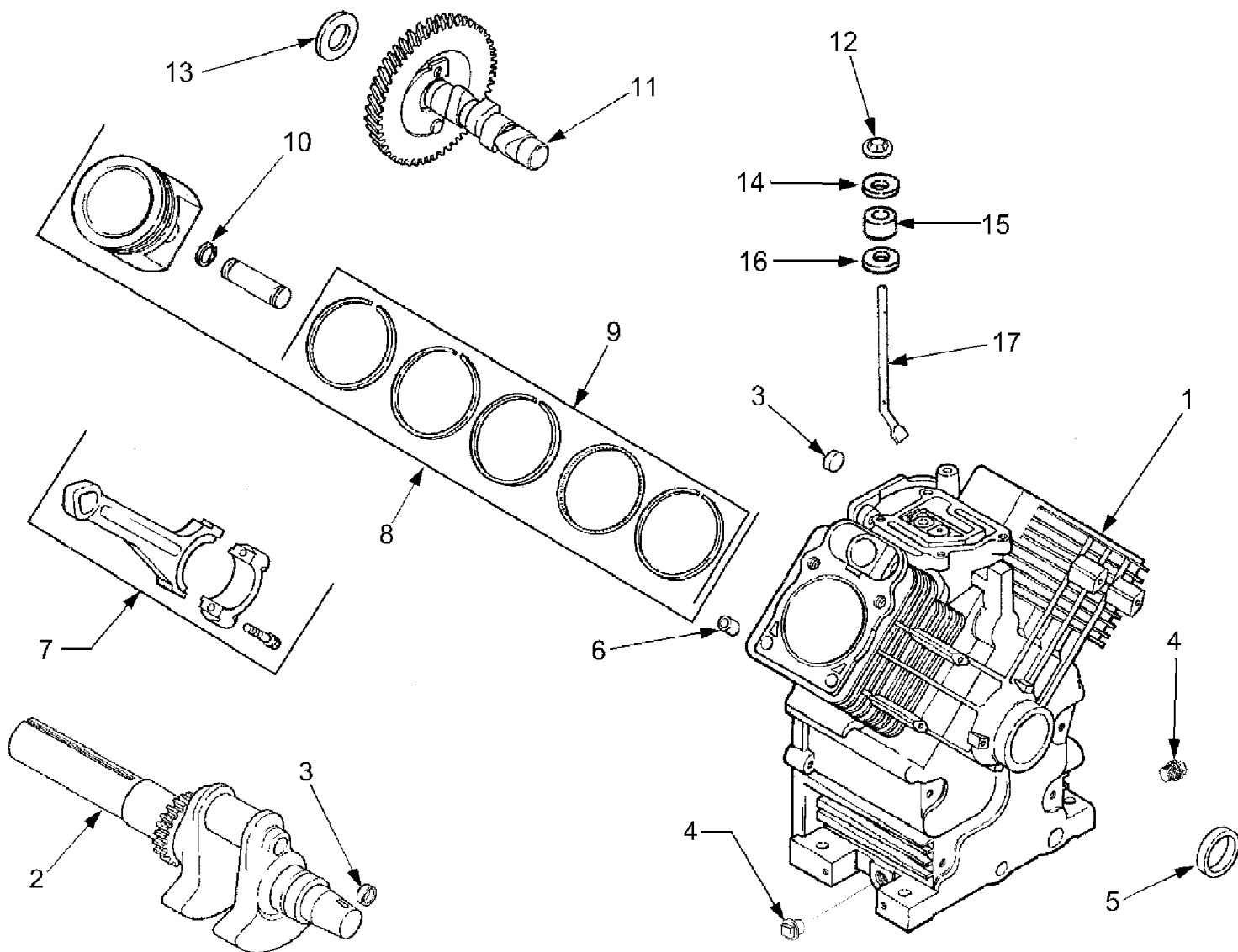


Ref #	Part Number	Qty	S/P/F	Description
1	KH-24-027-175-S	1	/P	Housing, Blower (Incl. Ref #2-4)
2	KH-24-100-02	2		Nut, Plastic
3	KH-25-139-16	1		Plug, Button, 9/16
4	KH-24-100-01	3		Nut, Plastic
5	KH-M-551016-S	1		Screw, Hex Flange, M5 x 0.8 x 16
6	KH-M-545016-S	5	/P	Screw, Hex Flange, M5 x 0.8 x 16
7	KH-M-545020-S	2		Screw, Hex Flange, M5 x 0.8 x 20
8	KH-24-146-17-S	1		Plate, Backing - #2 Side
9	KH-M-645016-S	6	/P	Screw, Hex Flange, M6 x 1.0 x 16
10	KH-24-063-20	1	/P	Baffle, Cylinder Barrel - #2 Side
11	KH-24-063-17	1	/P	Baffle, Valley - #2 Side
12	KH-M-0545010	2	/P	Screw, Hex Flange, M5 x 0.8 x 10
13	KH-24-063-59-S	1		Baffle, Valley - #1 Side
14	KH-24-063-58-S	1	S	Baffle, Cylinder Barrel - #1 Side
15	KH-24-146-20-S	1	/P	Plate, Backing - #1 Side

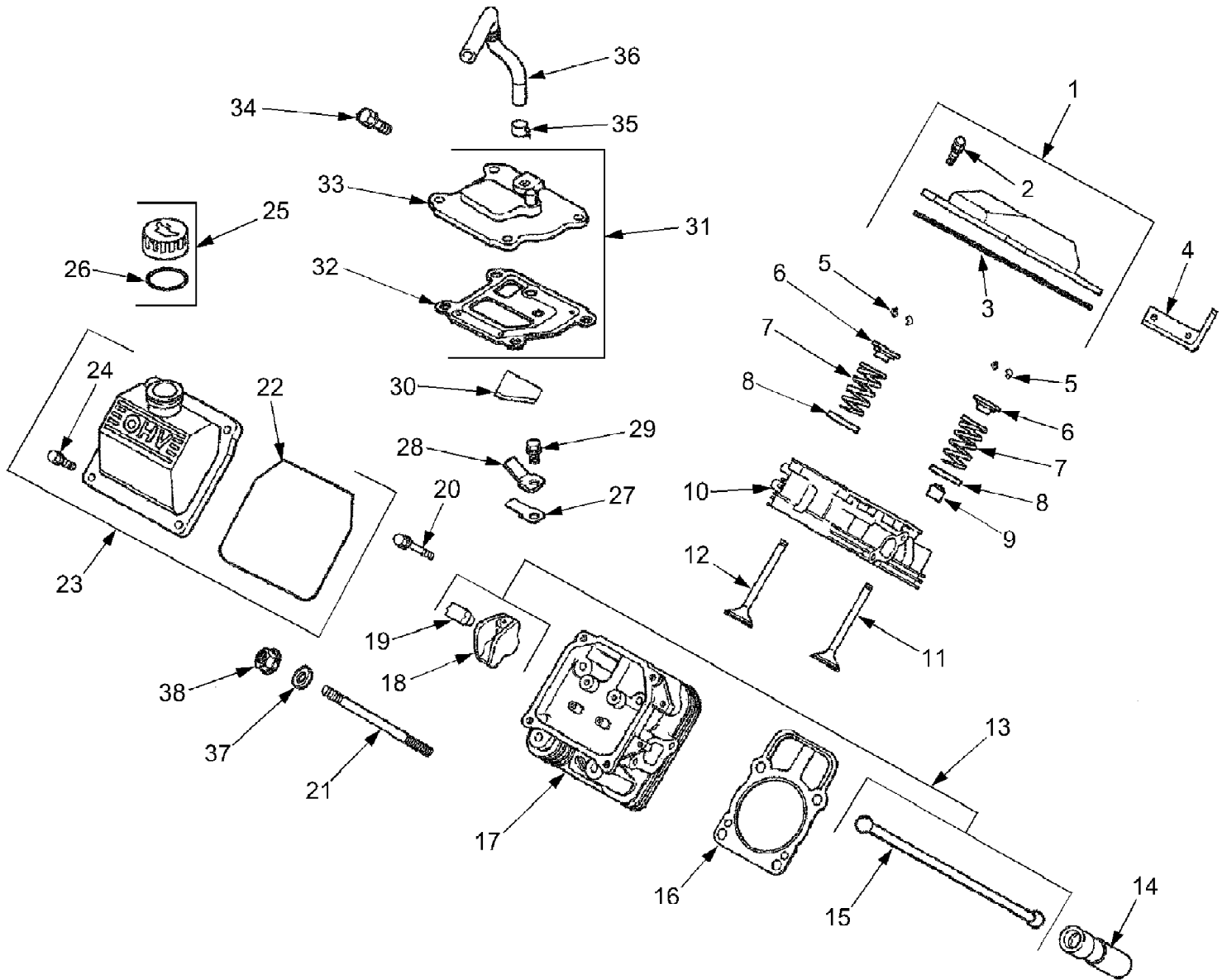


Ref #	Part Number	Qty	S/P/F	Description
1	603-04018	1		Link, Hi-Lo
2	603-0945	1		Shaft Assembly, Pedal
3	603-0946	1		Shaft Assembly, Brake
4	603-0947	1		Shaft Assembly, Reverse
5	603-0948A	1		Link Assembly, Parking Brake
6	703-05039	1		Link, Hi-Lo Pivot
7	703-05043	1	S	Handle, Hi-Lo Shift
8	703-05183	1	S	Bracket, Switch
9	703-4105	1		Lever, Brake
10	703-3012	1		Link, Pedal Mounting
11	703-3152	1		Bracket, Reverse Switch
12	703-3156	1		Link, Brake Pedal
13	703-3183	1		Bracket, Pedal Brace
14	710-0521	1	/P	Screw, Hex Cap 3/8-16 x 3.0 GR8
15	710-0599	7	/P	Screw, Hex Wash Hd Tapp 1/4-20 x .5
16	710-0623	3	/P	Screw, Hex Wash Hd Tapp 3/8-16 x .75
17	710-0642	2	/P	Screw, Hex Wash Hd Tapp 1/4-20 x .75
18	710-1315	2	/P	Screw, Hex Wash Hd Tapp 3/8-16 x 1.25
19	710-3170	1		Stud, Cylinder, 5/16-18
20	711-04038	2	S	Ferrule, Brake
21	711-0701	1	S	Pin, Clevis, .25 x .5
22	711-3397	1		Ferrule, 3/8-24 x .37
23	711-0679A	1	/P	Pin, Clevis, 3/8 x 2.015
24	711-0723A	2	S	Ferrule, 3/8 - 24 x .375
25	711-1363	1		Pin, 3/8-16: 3/8 x 2.43
26	712-0431	2	S	Nut, Hex Flange Lock, 3/8-16
27	712-3004A	2	/P	Nut, Hex Flange Lock, 5/16-18
28	712-3027	3	S	Nut, Hex Flange Lock, 1/4-20
29	712-0375	3	/P	Nut, Hex Lock, 3/8-16
30	712-3058	2	S	Nut, Hex Insert Lock, 1/2-20
31	714-0104	10	S	Pin, Internal Cotter
32	714-0145	1	S	Pin, Internal Cotter
33	714-0507	1	S	Pin, Cotter, 3/32 x .750
34	714-0147	4	/P	Pin, Internal Cotter
35	716-0104	1	S	E-Ring, .5 Dia
36	725-04064	1	S	Switch, Plunger (Brake)
37	725-3164A	1	S	Switch, Plunger (Reverse)
38	727-04004	1		Cylinder, Damper
39	731-3247	1		Pedal, Forward
40	731-3248	1		Pedal, Reverse
41	731-3249	1	S	Pedal, Brake
42	731-3250	1		Pedal, Diff. Lock
43	731-3321	1		Grip, Handle
44	732-04009	2	S	Spring, Compression
45	732-3117	1		Spring, Switch Actuator
46	732-0384	1	S	Spring, Extension, .62 x 6.12
47	732-0859	1	S	Spring, Rev/No Cut
48	732-3118	1		Spring, Extension, 3/8 x 1.44
49	712-0711	2	/P	Nut, Hex Jam, 3/8-24
50	736-0173	2	/P	Washer, Flat, .28 x .74 x .063
51	736-3019	3		Washer, Flat, .53 x .1.06 x .134
52	738-0140	1	S	Screw, Shoulder, .435 x 1.78
53	738-0255	1	S	Screw, Shoulder, .375 x .181

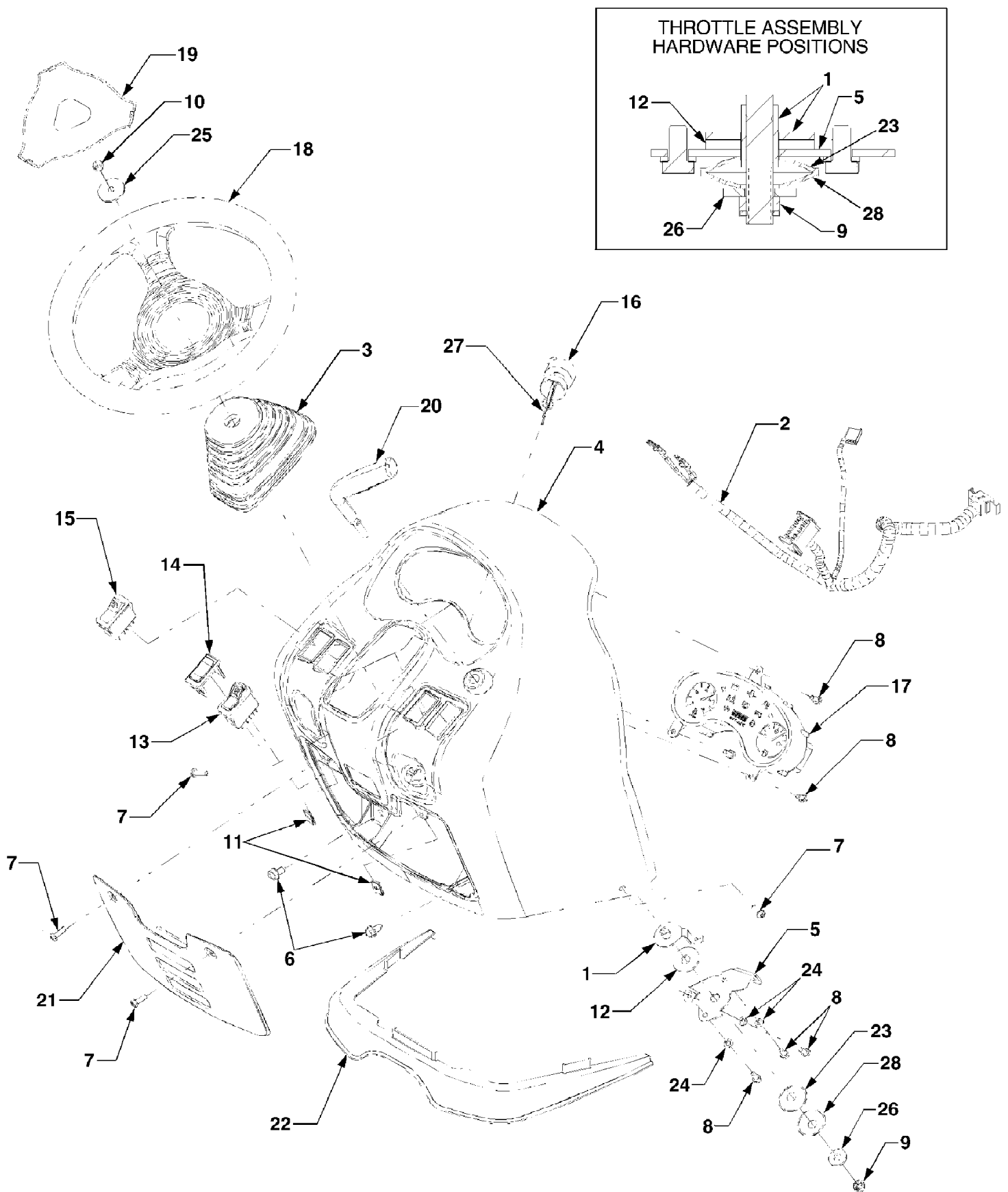
Ref #	Part Number	Qty	S/P/F	Description
54	738-0533	1	S	Screw, Shoulder, .498 x 1.635
55	738-0982	1		Screw, Shoulder .498 x 3.245: 3/8-16
56	741-0598	4	S	Bearing, Hex Flange, .752 ID
57	741-0491	4		Bearing, Nylon. .50 ID x .341
58	741-3073	2	S	Bearing, Flange, .375 x .58 x .25
59	746-04017	1		Cable, Diff Lock
60	747-04021	1		Rod, Brake, LH
61	747-04022	1		Rod, Brake, RH
62	747-3486	1		Rod, Hydro Control
63	747-3324	1		Rod, Rear Connecting
64	747-3353	1		Rod, Front Connecting
65	747-3366	1		Shaft, Diff. Lock
66	748-0190	2	/P	Spacer, .508 x .75 x .68
67	748-0227A	2	S	Bearing, Hex Flange, .629 ID
68	750-0336	1	S	Spacer, .50 ID x .62 x .37
69	750-0668	1		Spacer, .39 x .625 x 1.74



Ref #	Part Number	Qty	S/P/F	Description
1	KH-730115	1		Engine, Complete
	KH-24-782-32	1		Miniblock
2	KH-24-014-02-S	1	S	Crankshaft (Includes 3)
3	KH-52-139-09	2	S	Plug, Cup
4	KH-25-139-57-S	2	/P	Plug, Hex Head, 3/8 NPTF
5	KH-24-032-01	1	S	Seal, Oil
6	KH-24-380-13-S	6	S	Pin, Dowel Locating
7	KH-24-067-13-S	2	S	Rod, Connecting, Std
	KH-24-067-14	2		Rod, Connecting, .010
8	KH-24-874-08-S	2	S	Piston w/Ring Set, Std
	KH-24-874-16-S	2	S	Piston w/Ring Set, .003
	KH-24-874-20-S	2	S	Piston w/Ring Set, .010
	KH-24-874-21-S	2		Piston w/Ring Set, .020
9	KH-24-108-05-S	2	/P	Ring Set, Std & .003
	KH-24-108-06-S	2	S	Ring Set, Std & .010
	KH-24-108-07-S	2		Ring Set, Std & .020
10	KH-24-018-01	4	S	Retainer, Piston Pin
11	KH-24-012-16-S	1		Camshaft
12	KH-24-018-09-S	1		Ring, Retainer
13	KH-12-422-09	A/R	S	Shim, Camshaft, .0320 red
	KH-12-422-13	A/R	S	Shim, Camshaft, .0400 black
	KH-12-422-07	A/R	S	Shim, Camshaft, .0280 white
	KH-12-422-08	A/R	S	Shim, Camshaft, .0300 blue
	KH-12-422-10	1	S	Shim, Camshaft, .0340 yellow
	KH-12-422-11	A/R	S	Shim, Camshaft, .0360 green
	KH-12-422-12	A/R	S	Shim, Camshaft, .0380 gray
14	KH-M-931010-S	1		Washer, Nylon
15	KH-28-032-09-S	1		Seal, Governor Cross Shaft
16	KH-24-468-15-S	1		Washer, Plain
17	KH-24-144-38-S	1	/P	Shaft, Governor Cross
	KH-24-755-113-S	1	S	Gasket Set



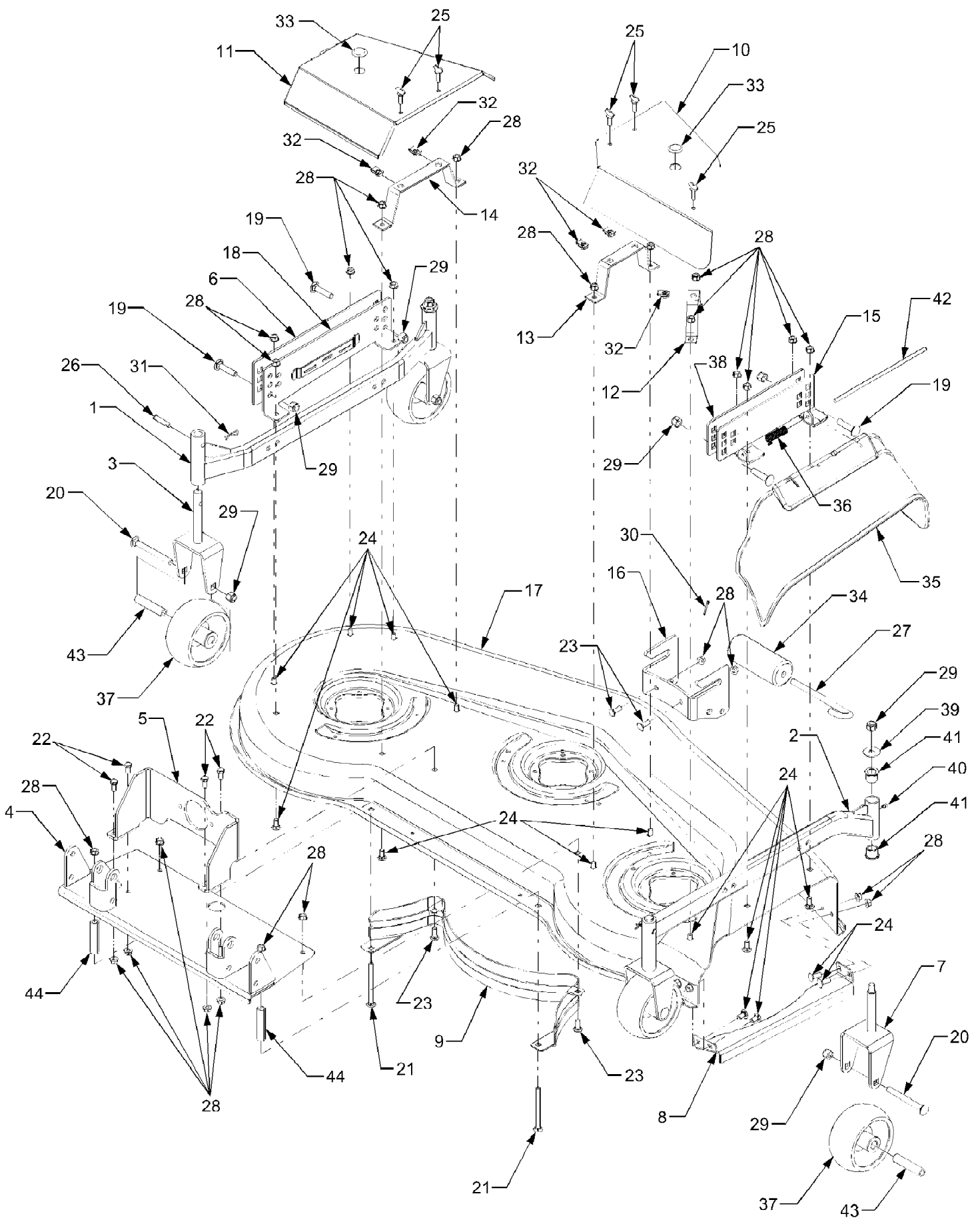
Ref #	Part Number	Qty	S/P/F	Description
1	KH-24-755-74	1	S	Kit, Valve Cover (Includes 2-3)
2	KH-24-086-32	4		Screw, Shoulder
3	KH-24-153-23-S	1	/P	O-Ring, Valve Cover
4	KH-24-445-01	1	S	Strap, Lifting
5	KH-12-755-03	4	/P	Kit, Retainer
6	KH-12-173-01	4	/P	Cap, Valve Spring
7	KH-24-089-02	4	/P	Spring, Valve
8	KH-235011-S	4	/P	Retainer, Spring
9	KH-66-032-05-S	2	/P	Seal, Valve Stem
10	KH-24-318-65-S	1	S	Head Assembly, #1 Cylinder
11	KH-24-017-01	2	/P	Valve, Intake (Std.)
	KH-24-017-02	2		Valve, Intake (.25mm)
12	KH-24-016-01	2	/P	Valve, Exhaust (Std.)
	KH-24-016-02	2		Valve, Exhaust (.25mm)
13	KH-24-755-66	1	/P	Kit, Valve Train (Includes 15,18,19)
14	KH-25-351-01	4	S	Lifter, Valve
15	KH-24-411-05	4	/P	Rod, Push
16	KH-24-041-37-S	2	S	Gasket, Cylinder Head
17	KH-24-318-66-S	1	S	Head Assembly, #2 Cylinder
18	KH-25-186-01	4	/P	Arm, Rocker
19	KH-24-599-01	4	S	Pivot, Rocker Arm
20	KH-M-0640034	4	/P	Screw, Hex Flange M6 x 1 x 34
21	KH-24-072-09-S	8		Stud, Cyl. Hd.
22	KH-24-153-23-S	1	/P	O-Ring, Valve Cover
23	KH-24-755-75-S	1		Cover, Valve - Oil Fill (Includes 22 and 24)
24	KH-24-086-32	4		Screw, Shoulder
25	KH-24-755-46	1	/P	Cap Assembly, Oil Fill (Includes 26)
26	KH-25-153-02-S	1		O-Ring
27	KH-24-402-03	1	/P	Reed, Breather
28	KH-66-018-04-S	1	/P	Retainer, Breather Reed
29	KH-M-0545010	1	/P	Screw, Hex Flange M5 x 0.8 x 10
30	KH-24-050-01	1	S	Filter, Breather
31	KH-24-033-01	1	/P	Kit, Breather (Includes 32, 33)
32	KH-24-041-50-S	1	S	Gasket, Breather
33	KH-24-096-86-S	1	S	Cover, Breather
34	KH-M-0645020	4	S	Screw, Hex Flange M6 x 1.0 x 20
35	KH-25-237-14-S	1	/P	Clamp, Breather
36	KH-24-326-26-S	1	S	Hose, Breather
37	KH-24-468-16-S	8		Washer, Flat, 8mm
38	KH-24-100-10-S	8		Nut, Hex Flange, M8 x 1.25



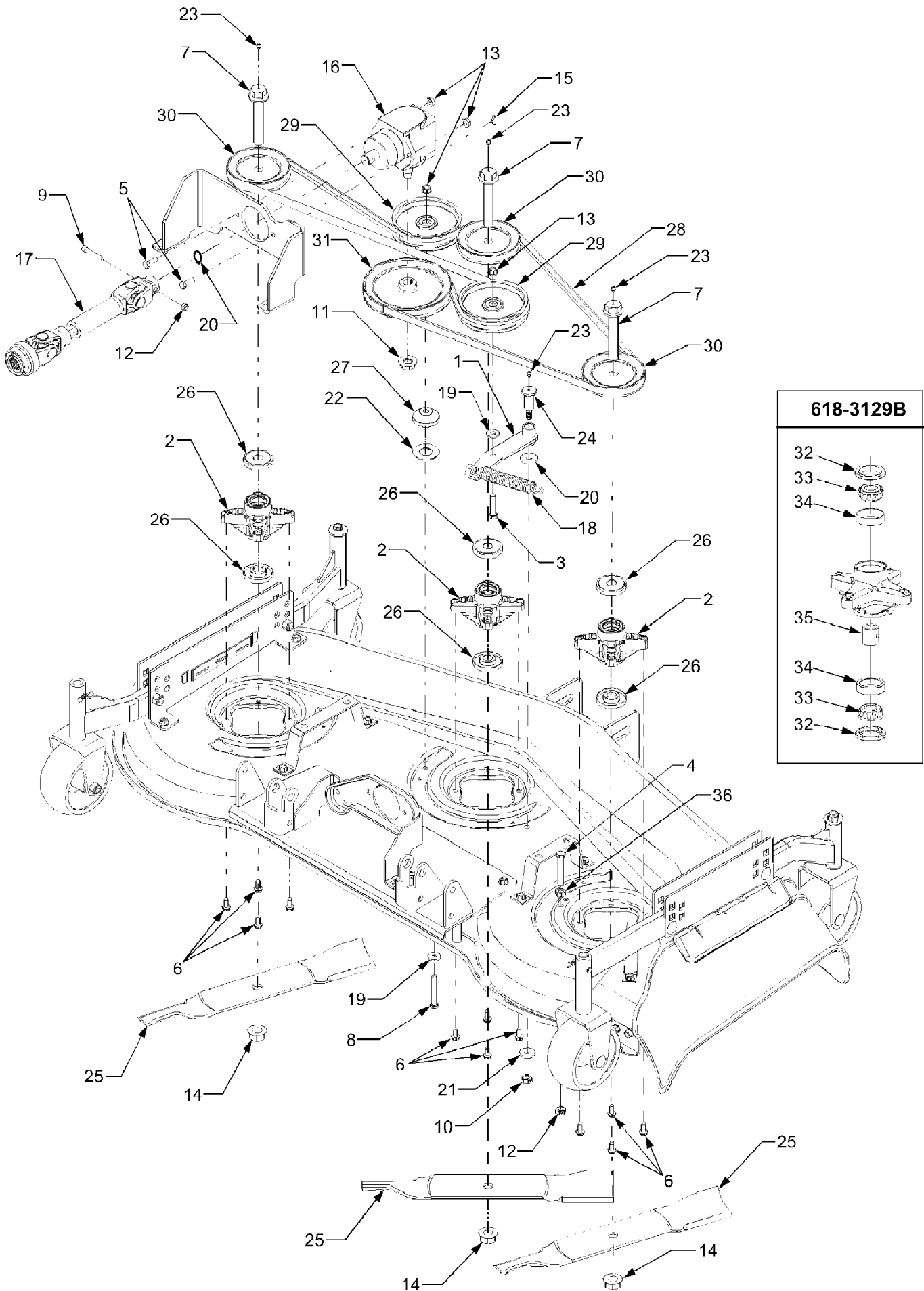
5252E Tractor S/N 1J015G & Before
Dash Panel And Steering Wheel

Page 15 of 73

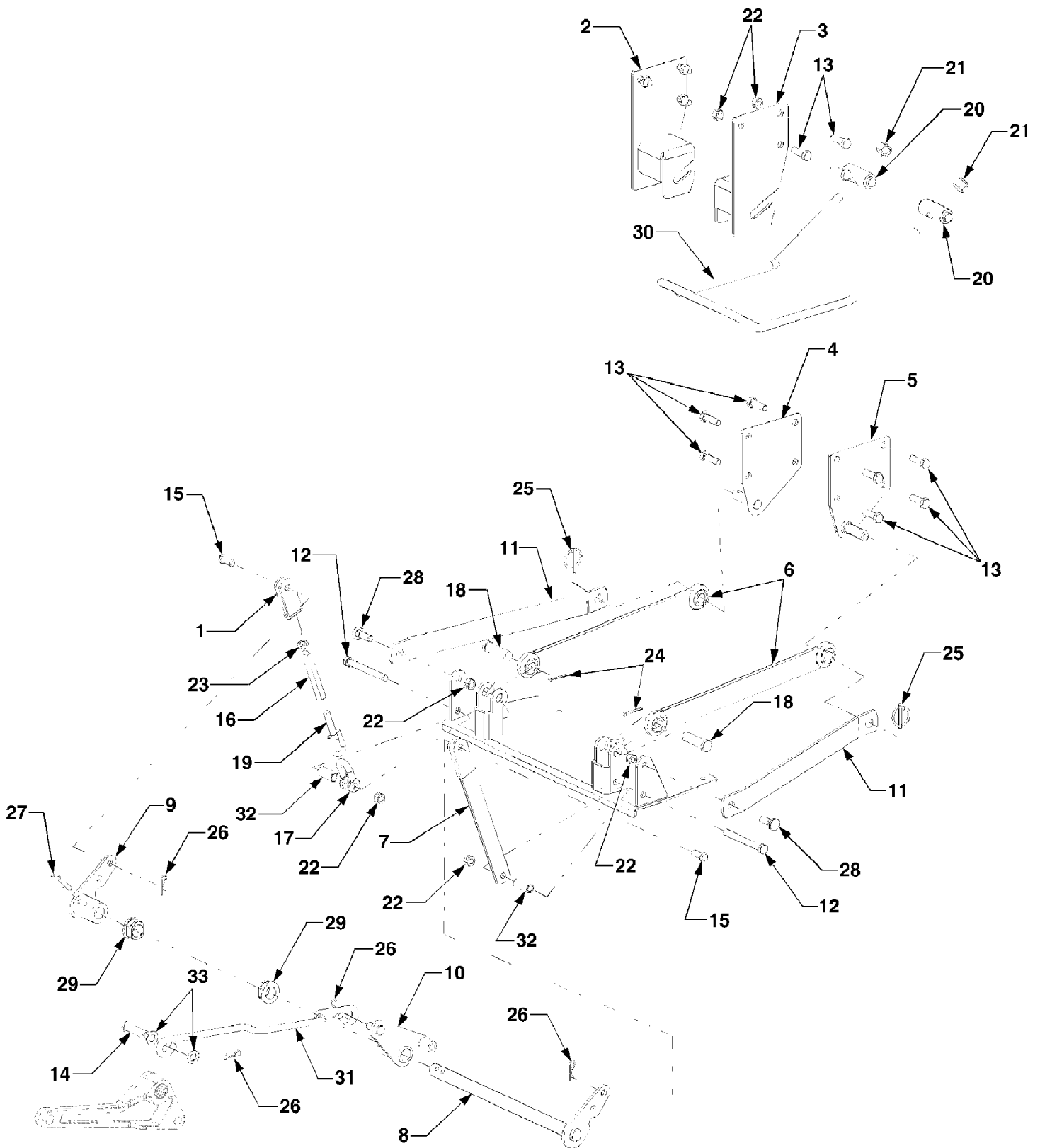
Ref #	Part Number	Qty	S/P/F	Description
1	603-0711A	1	S	Tab Assembly, Throttle
2	629-04058	1	S	Wire Harness, Dash
3	631-0076	1		Boot, Steering Shaft
4	631-04007B	1	S	Dash
5	703-05132	1	S	Bracket, Throttle Mtg.
6	710-0604A	2	/P	Screw, Hex Wash. Hd. Tapp 5/16-18 x .625
7	710-0924	4	/P	Screw, Pan Hd., 1/4-20 x .75
8	710-3013	6	/P	Screw, Hex Cap, 1/4-20 x .5 GR5
9	712-0116	1	S	Nut, Hex Insert Jam Lock, 3/8-24
10	712-0237	1	S	Nut, Hex Lock, 5/16-24
11	712-0292	2	/P	Nut, Speed, 1/4-20
12	723-3013	1	S	Washer, Friction, .515 x 1.5 x .12
13	725-04076	1	S	Switch, PTO
14	725-2017	1		Plug
15	725-3274	1		Switch, Headlight
16	725-3277	1	S	Switch, Ignition
17	725-3288	1	S	Panel, Instrument
18	731-3209	1		Steering Wheel, Soft Grip
19	731-3210	1		Cover, Steering Wheel
20	731-3298	1		Handle, Throttle
21	731-3344	1		Panel, Dash Insert
22	731-3372	1	S	Extension, Dash
23	736-0112	1	/P	Washer, Belleville, .531 x 1.62 x .045
24	736-0329	3	S	Washer, Lock, 1/4
25	736-04062	1	S	Washer, Flat, .344 x 1.5 x .1
26	736-3052	1	/P	Washer, Flat, .406 x 1.0 x .105
27	759-3950	1	S	Key Set, Ignition
28	736-04164	1		Washer, Spher., .39 x 1.62 x .045
	725-1648	1	S	P.T.O. Relay Not Shown
	721-0342	1	S	Gasket Not Shown, use with 725-1648



Ref #	Part Number	Qty	S/P/F	Description
1	603-04121-0716	1		Axle, Caster, LH
2	603-04119-0716	1		Axle, Caster, RH
3	603-0783-0716	2		Wheel Yoke, Rear
4	603-04129-0716	1		Bracket, Mounting
5	703-05192-0716	1		Bracket, Gear Box
6	703-05180-0716	1		Bracket, Caster LH Outer
7	603-04118-0716	2		Wheel Yoke, Front
8	703-3247-0716	1		Guard, Finger
9	703-3248-0716	1	S	Baffle, Rear Inner
10	703-3272-0716	1	/P	Cover, Belt (R.H.)
11	703-3273-0716	1		Cover, Belt (L.H.)
12	703-3274-0716	1		Bracket, Belt Cover Mtg.
13	703-3275-0716	1		Bracket, Belt Cover Mtg.
14	703-3276-0716	1		Bracket, Belt Cover Mtg. LH
15	703-05182-0716	1		Bracket, Caster RH Outer
16	703-3596-0716	1		Bracket, Front Roller
17	703-3889A-0716	1	S	Deck
17	777D05396	1		Label, 60" not shown
17	777S30503	1	/P	Label, Safety not shown
17	777S30015	1		Label, Danger L.H. Side not shown
18	603-04078	1		Bracket, Caster LH Inner
19	710-04191	4	/P	Screw, Carriage 1/2-13 x 2.0 GR5
20	710-1638	4	/P	Screw, Carriage 1/2-13 x 4.5 GR5
21	710-1649	2	/P	Screw, Carriage 3/8-16 x 4.50 GR5
22	710-3001	4	/P	Screw, Hex Cap Lock 3/8-16 x .88 GR5
23	710-3168	4	/P	Carriage, Bolt 3/8-16 x 1.0
24	710-3178	18	/P	Carriage, Bolt 3/8-16 x .75
25	710-3232	5	/P	Screw, Thumb Adjust 5/16-18 x 1
26	711-0415	2	S	Pin, Clevis, 3/8 x 1.75
27	711-3314	1	S	Pin, Roller 1/2 x 7.31
28	712-0431	28	S	Nut, Flange Lock 3/8-16
29	712-3083	10	/P	Nut, Hex Nylon Lock 1/2-13 GR8
30	714-0115	1	S	Pin, Cotter 1/8 x 1.0
31	714-0145	2	S	Pin, Internal Cotter
32	726-0211	5	S	Nut, "U" 5/16-18
33	726-3045	2	/P	Plug, Button
34	731-3005	1	/P	Roller, Front
35	731-3257	1	/P	Deflector, Chute
35	777S30145	1	S	Label, Danger not shown
36	732-0939	1	/P	Spring, Torsion
37	734-3195	4		Caster, Wheel w/Bearings
37	741-3090	8	/P	Bearing, Flange not shown
38	703-05181	1		Bracket, Caster RH Inner
39	736-0208	2	S	Washer, Flat, .51 x 1.5 x .07
40	737-3000	2	S	Fitting, Lube
41	741-0339	4	S	Bearing, Flange, .754 ID
42	747-3384	1	/P	Rod, Deflector Chute
43	750-3222	4	/P	Axle, Caster Wheel
44	750-3235	2	/P	Spacer, .505 x .75 x 3.31Lg.



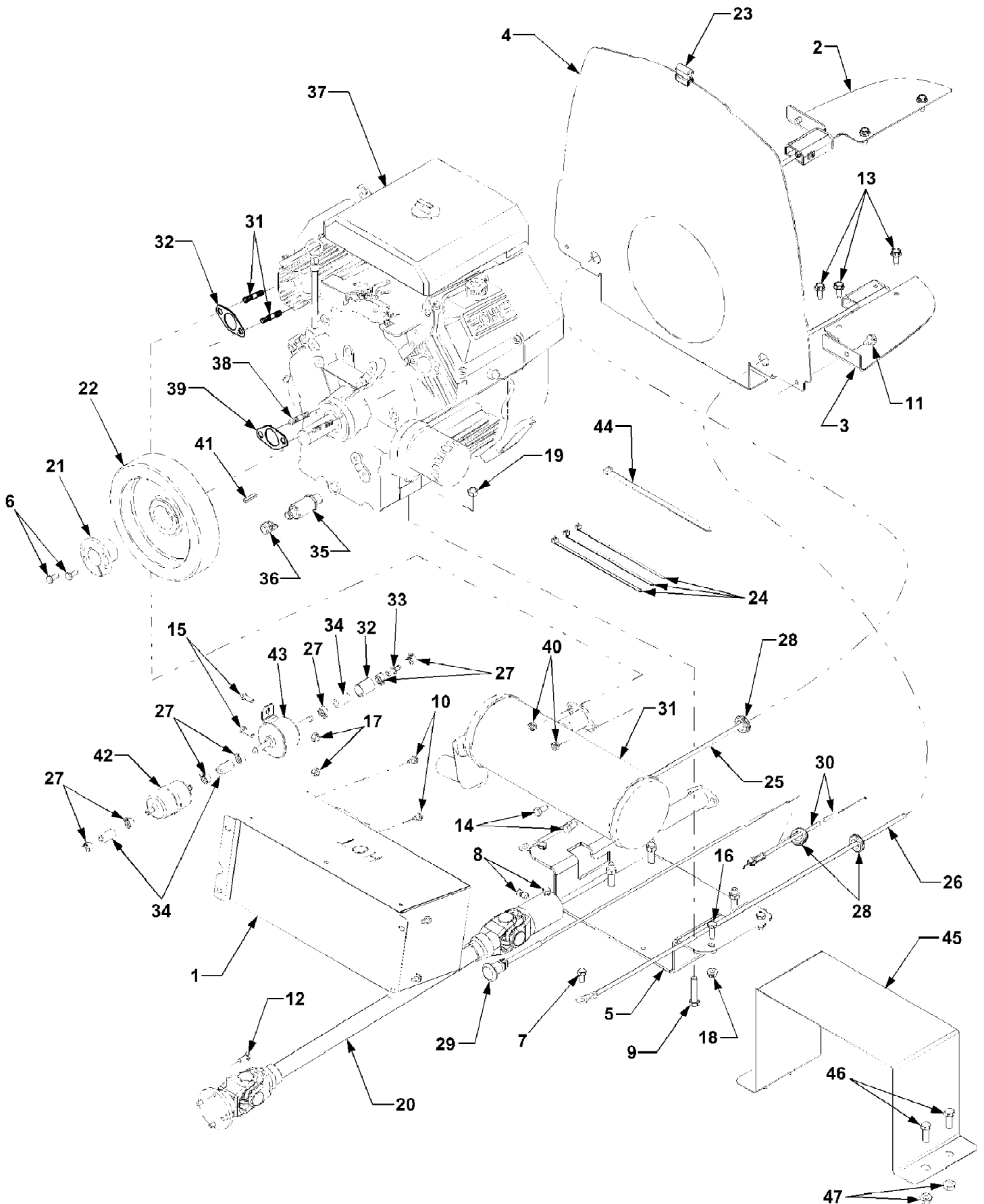
Ref #	Part Number	Qty	S/P/F	Description
1	603-0848-0716	1	S	Bracket, Idler
2	618-3129B	3	S	Assembly, Spindle Includes Ref. Nos. 32 thru 35
3	710-0347	1	/P	Screw, Hex Cap 3/8-16 x 1.75 GR5
4	710-0395	1	/P	Screw, Hex Cap 5/16-18 x 2.25 GR5
5	710-3005	2	/P	Screw, Hex Cap 3/8-16 x 1.25 GR5
6	710-1260A	12	/P	Screw, Hex Wash Hd Tapp 5/16-18 x .75
7	710-1336A	3	/P	Bolt, Spindle, 3/4-16 x 4.25
8	710-3066	1	/P	Screw, Hex Cap 3/8-16 x 2.75 GR8
9	710-3251	1	/P	Screw, Sock. Hd. 5/16-18 x 1.75
10	712-0290	1	/P	Nut, Hex Lock, 7/16-14
11	712-0417A	1	/P	Nut , Hex Flanged 5/8-18
12	712-0429	2	S	Nut, Hex Nylon Lock 5/16 -18
13	712-0431	4	S	Nut, Flange Lock 3/8-16
14	712-3078	3	/P	Nut, Hex Flange, 3/4-16
15	714-0126	1	S	Key, Hi-Pro
16	717-04036	1	S	Drive, Right Angle
17	717-04029	1	S	Shaft, Drive
18	732-0850	1	S	Spring, Extension 6.14" Lg.
19	736-0258	2	/P	Washer, Flat .385 x 1.0 x .135
20	716-0111	1	/P	Ring, Retaining
21	736-0322	2	/P	Washer, Flat, .45 x 1.25 x .164
22	736-0345	1	S	Washer, Flat 1.01 x 2.0 x .065
23	737-3000	4	S	Fitting, Lube
24	738-3005A	1	S	Bolt, Shoulder .68" Dia. x 1.59
25	759-04013	3	/P	Blade, High Lift 20.5" Lg.
26	748-3065	6	S	Spacer, Deck Spindle
27	748-3087	1	/P	Spacer, Idler
28	754-3103	1	S	Belt, "V" 133" Lg.
29	756-3062	2	/P	Pulley, Flat Idler
30	756-3096	3	/P	Pulley, "V"
31	756-3098	1		Pulley, Drive
32	721-3018A	6	S	Seal, Oil
33	741-04089	6	S	Bearing, Cone
34	741-04091	6	S	Cup, Bearing
35	750-3190A	3	/P	Spacer, Bearing
36	712-3046	1	/P	Nut, Hex Jam, 5/16-18 Lock



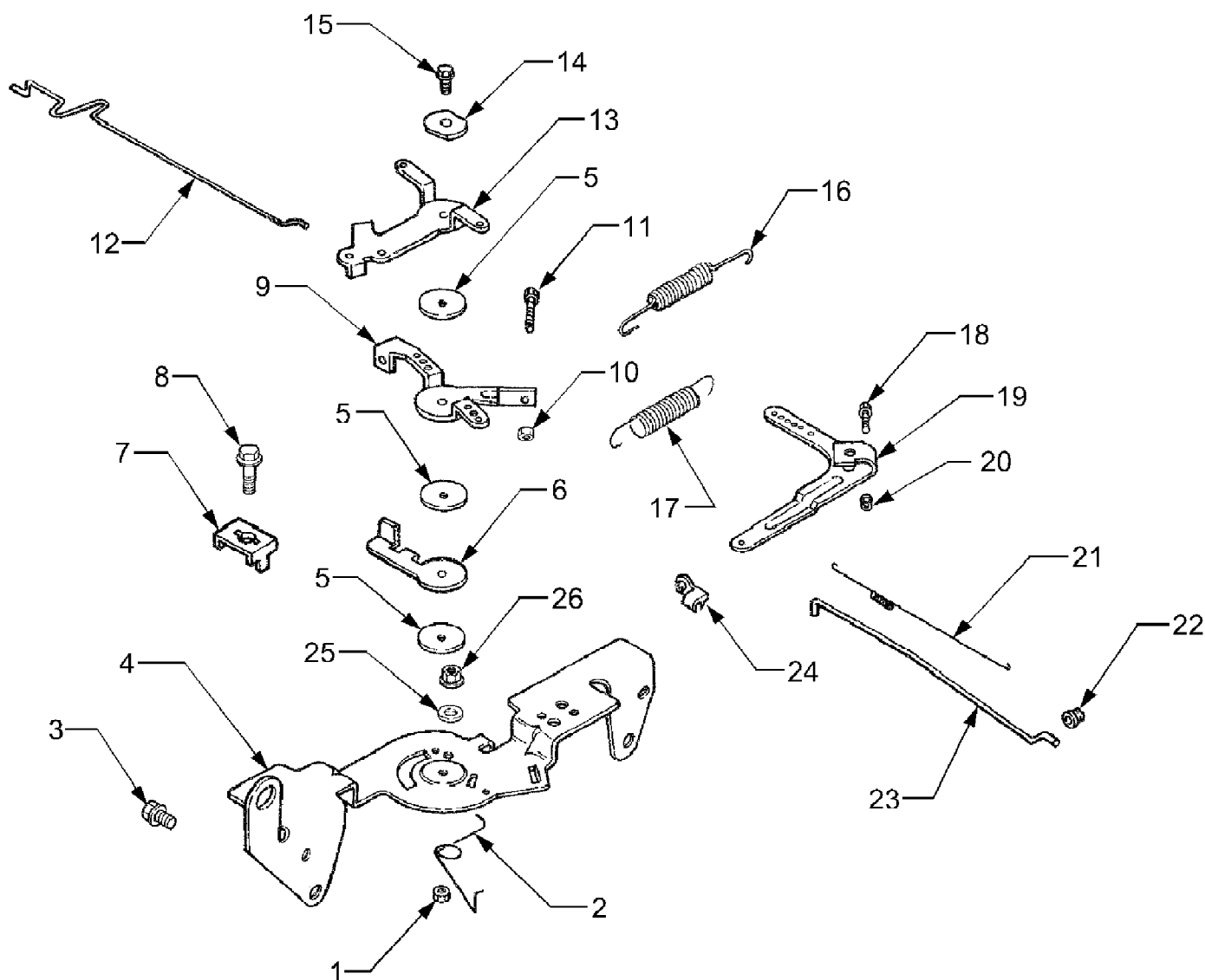
5252E Tractor S/N 1J015G & Before
Deck Lift Linkage

Page 21 of 73

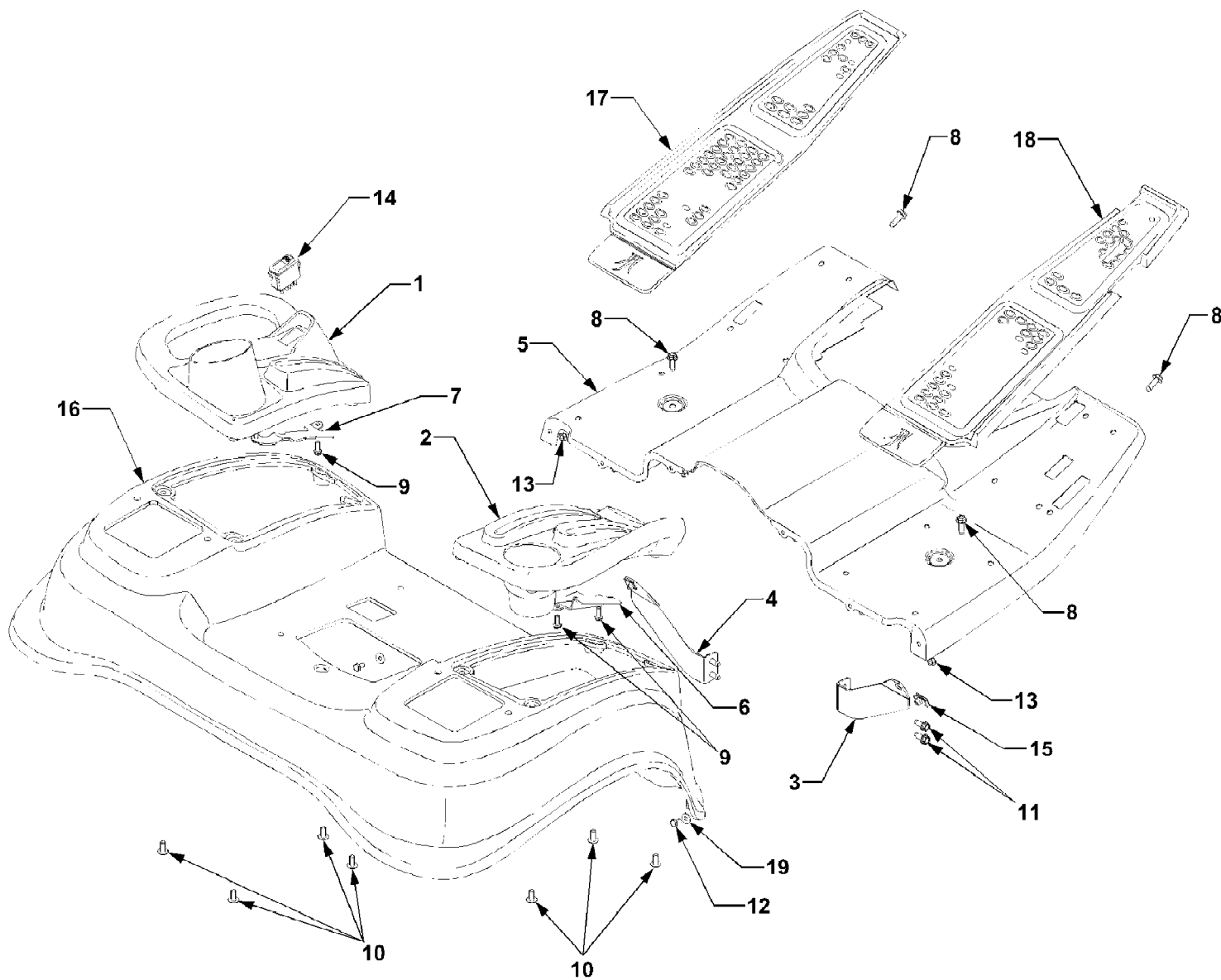
Ref #	Part Number	Qty	S/P/F	Description
1	603-04049	1	S	Clevis, Adjustment, 1/2 -13 x 4.76 1
2	603-0953-0637	1	/P	Bracket, Front Hanger LH
3	603-0954-0637	1	/P	Bracket,, Front Hanger RH
4	603-0955-0637	1	/P	Bracket, Rear Hanger LH
5	603-0956-0637	1	/P	Bracket, Rear Hanger RH
6	603-0957-0637	2	/P	Link, Deck Lift
7	603-0958-0637	1	/P	Link, Fixed
8	603-0959	1	S	Shaft. Lift
9	603-0960-0637	1	/P	Arm, Lift
10	603-0979-0637	1		Plate, Lift Crank
11	703-4112-0637	2	/P	Brace, Deck Side
12	710-1807	2	/P	Screw, Hex Cap, 1/2-13 x 4.5 GR5
13	710-3181	14	/P	Screw, Hex Cap, 1/2-13 x 1.5 GR5
14	711-0299	1	/P	Pin, Clevis, .625 x 2.4
15	711-0310	2	S	Pin, Clevis, .5 x 1.18
16	711-04031	1	S	Turn Buckle, Hex Adjustment
17	711-1622	1		Clevis, Check Chain
18	711-1643	2	/P	Pin, Clevis, 3/4 x 2.5
19	711-1728	1	S	Clevis, Chain
20	711-1739	2	S	Pin, Hanger Rod Mounting
21	712-3016	2	/P	Nut, Hex Insert Lock, 5/8-11
22	712-3022	10	/P	Nut, Hex Center Lock, 1/2-13
23	712-3048	1	S	Nut, Hex Jam, 1/2-13 GR5
24	714-0142	2	/P	Pin, Cotter, 3/16 x 1.5
25	714-0143	2	S	Pin, Klik
26	714-0145	4	S	Pin, Internal Cotter
27	715-0118	2	S	Pin, Spirol, 5/16 x 1.75
28	738-0744A	2	S	Screw, Shoulder, .625 x.36: 1/2-13
29	741-0170	2	S	Bearing, Flange w/Flats
30	747-3483	1	S	Rod, Front Hanger
31	747-3484A	1	/P	Rod, Crank Lift
32	750-0995	2		Spacer, .51 x .75 x 1.67
33	736-0156	2	/P	Washer, Flat, .635 x 1.125 x .09



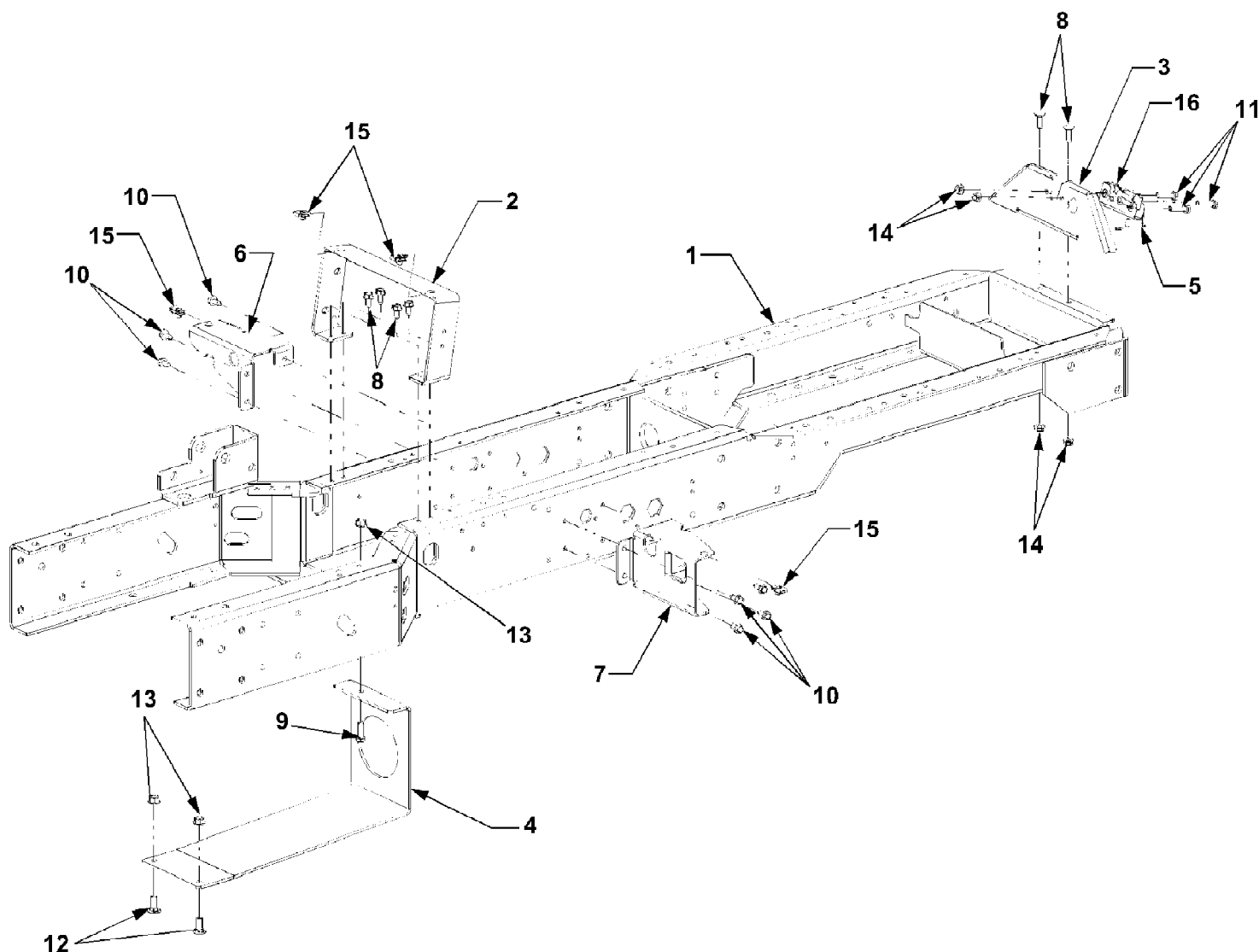
Ref #	Part Number	Qty	S/P/F	Description
	629-04066	1	S	Harness, Engine Not Shown
1	603-04180	1	S	Shield, Heat
2	703-05123-0637	1	/P	Plate, Baffle LH
3	730-05124-0637	1		Plate, Baffle, RH
4	703-05211-0637	1	/P	Plate, Air Baffle
5	703-05215-0637	1	/P	Plate, Engine Mounting
6	710-0195	2	S	Screw, Hex Cap, 1/4-28 x .625 GR5
7	710-0237	1	/P	Screw, Hex Cap, 5/16-24 x .625 GR5
8	710-0357	2		Screw, Square Hd. Set, 3/8-16
9	710-0539	4	/P	Screw, Hex Cap, 3/8-24 x 1.75 GR5
10	710-0599	4	/P	Screw, Hex Wash Hd Tapp 1/4-20 x .5
11	710-0607	2	/P	Screw, Hex Wash Hd Tapp 5/16-18 x .5
12	710-0751	4	/P	Screw, Hex Cap, 1/4-20 x .62 GR5
13	710-1260A	6	/P	Screw, Hex Wash Hd Tapp 5/16-18 x .75
14	710-1376	2	/P	Screw, Hex Cap, M8-1.25 x 16 GR8
15	710-3015	2	/P	Screw, Hex Cap, 1/4-20 x .75
16	710-3038	4	/P	Screw, Hex Cap, 5/16-18 x .875 GR5
17	712-0324	2	/P	Nut, Hex Insert Lock, 1/4-20 GR8
18	712-3004A	4	/P	Nut, Hex Flange Lock, 5/16-18 GR5
19	712-3054	4	/P	Nut, Hex Lock, 3/8-24 GRB
20	717-04112	1	S	Shaft, Drive
21	718-04068	1	S	Bushing, D Type
22	718-04069	1	S	Flywheel
23	723-3061	90in.		Seal, Heat Baffle
24	725-0157	3	/P	Tie, Cable
25	725-3281	1		Wire, Battery Pos.
26	725-3282	1		Wire, Battery Neg.
27	726-0205	7	/P	Clamp, Hose
28	735-0226	3		Grommet
29	746-04015	1		Cable, Choke Control
30	746-04061	1		Cable, Throttle Control
31	751-10002	1	S	Muffler
32	751-10054	1	/P	Sleeve, Fuel Line
33	751-10055	1	S	Fitting, Reducer, 5/16 - 1/4
34	751-3130	65in.		Fuel Line 5/16 ID
35	751-3140	1	S	Drain, Engine Oil
36	751-3142	1		Cap, Drain
37	KH-730115	1		Engine
38	KH-25-072-04	4	/P	Stud, M8 - 1.25 x 33MM
39	KH-24-041-02	2	S	Gasket, Exhaust
40	712-3086	4	/P	Nut, Hex, M8 x 1.25
41	714-0118	1	/P	Key, Square, 1/4 x 1.5
42	KH-24-050-09-S	1	S	Filter, Fuel
43	KM-49040-2065	1		Pump, Fuel
44	726-0209	1	/P	Tie, Cable
45	703-05456	1	S	Cover, Flywheel
46	710-0514	4	/P	Screw, Hex Cap, 3/8-16 x 1.0 GR5
47	712-0431	4	S	Nut, Hex Flange Lock, 3/8-16 GRF
	737-3030A	2.1	/P	Engine Oil



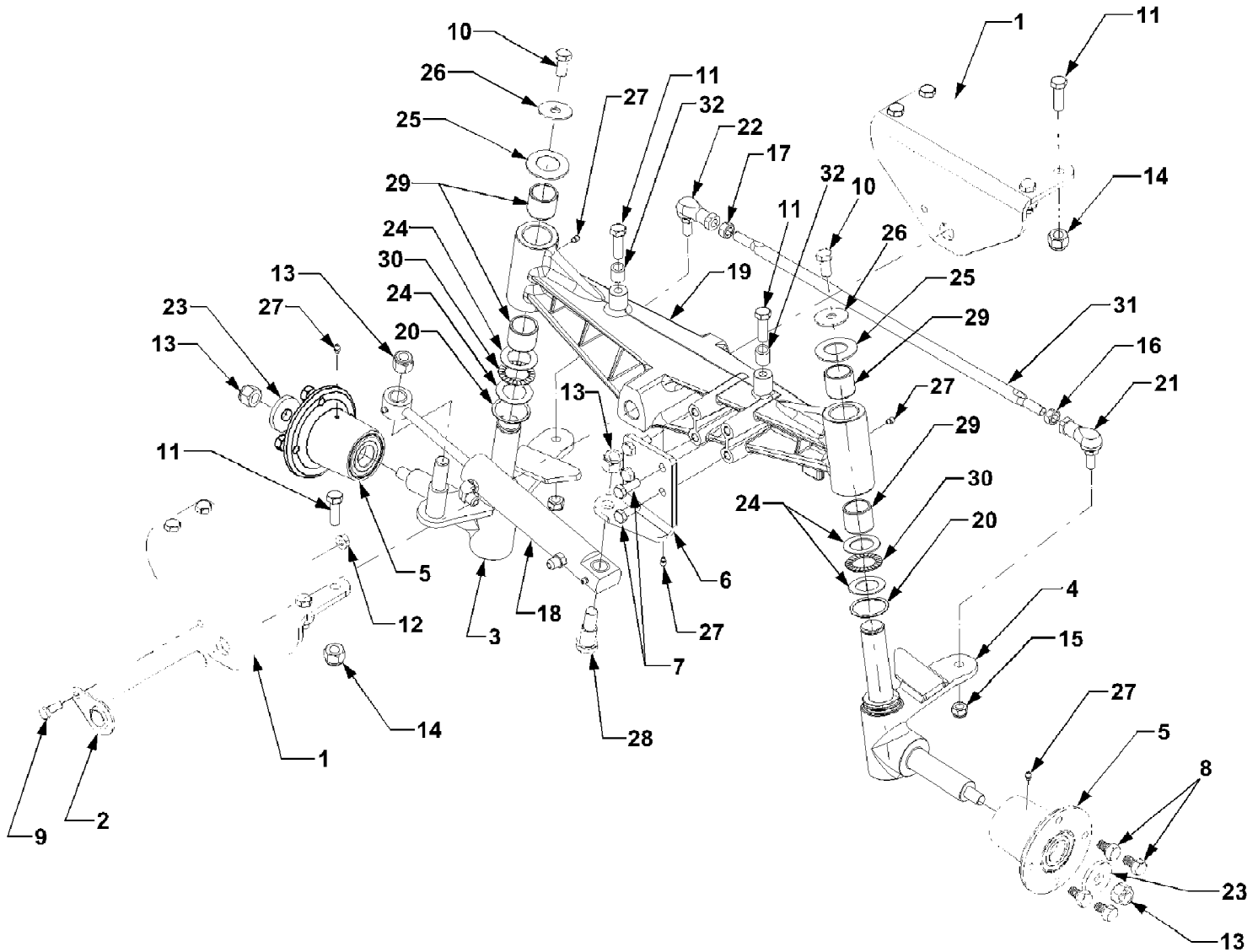
Ref #	Part Number	Qty	S/P/F	Description
1	KH-M-547050-S	1		Nut, Hex Lock M5 x 0.8
2	KH-24-089-03	1		Spring, Choke Return
3	KH-M-645016-S	4	/P	Screw, Hex Flange M6 x 1.0 x 16
4	KH-24-126-56	1	S	Bracket, Control
5	KH-24-468-01	3		Washer , Plain 5.5mm
6	KH-24-090-07	1	/P	Lever, Throttle Actuator
7	KH-12-237-01	2		Clamp, Cable
8	KH-M-545016-S	3	/P	Screw, Hex Flange M5 x 0.8 x 16
9	KH-24-090-13	1		Lever, Throttle Control
10	KH-M-446030-S	1	/P	Nut, Hex M4 x 0.7
11	KH-M-401030	1	/P	Screw, Hex Cap M4 x 0.7 x 30
12	KH-24-079-21-S	1	/P	Linkage, Choke
13	KH-24-090-05	1		Lever, Choke
14	KH-41-468-03	1		Washer, Spring 1/4"
15	KH-M-545020-S	1		Screw, Hex Flange M5 x 0.8 x 20
16	KH-24-089-51-S	1	/P	Spring, Throttle Limiter
17	KH-24-089-46-S	1		Spring, Governor
18	KH-24-211-03-S	1		Screw, Round Hd. Square Neck
19	KH-24-090-33-S	1	S	Lever, Governor
20	KH-M-641060-S	1	/P	Nut, Hex Flange M6 x 1.0
21	KH-24-089-01	1		Spring, Linkage
22	KH-25-158-08	1	/P	Bushing, Linkage Retaining
23	KH-24-079-01	1		Linkage, Throttle
24	KH-25-158-11	1	/P	Bushing, Linkage Retaining
25	KH-X-20-1	1		Washer
26	KH-M-541050-S	1		Nut, Hex



Ref #	Part Number	Qty	S/P/F	Description
1	631-04031	1	S	Cover, Fender, LH
2	631-04107	1		Cover, Fender, RH
3	703-05105-0637	1	/P	Bracket, Running Board Mtg. RH
4	703-05113-0637	1	/P	Bracket, Running Board Mtg. LH
5	703-05199-0716	1		Running Board
	777S32332	1		Graphic, Instruction
	777S32274	1		Graphic, Warning
6	703-05306	1	S	Bracket, Lift Float Gate
7	703-05307	1	S	Bracket, Shift Gate, Hi-Lo
8	710-0602	4	/P	Screw, Hex Wash. Hd. Tapp 5/16-18 x 1.0
9	710-0895	4		Screw, Hex Wash. Hd, Tapp 1/4-15 x .75
10	710-1242	8	/P	Screw, Truss Phillips Hd. 5/16-14 x .75
11	710-1260A	4	/P	Screw, Hex Wash. Hd. Tapp 5/16-18 x .75
12	710-3013	6	/P	Screw, Hex Cap, 1/4-20 x .5 GR5
13	712-0324	6	/P	Nut, Hex Insert Lock, 1/4-20 GR8
14	725-04070	1	S	Switch, PTO Reverse
15	726-0211	2	S	Nut, Speed, 5/16-18
16	731-04025	1	S	Fender
	777D07564	2		Graphic, Reflector
	777D07729	1	/P	Graphic, Cub Cadet
	777S32286	1		Graphic, Warning
17	735-0275	1		Pad, Floor - LH
18	735-0276	1		Pad, Floor - RH
19	736-3090	6	/P	Washer, Flat, .26 x .72 x .06



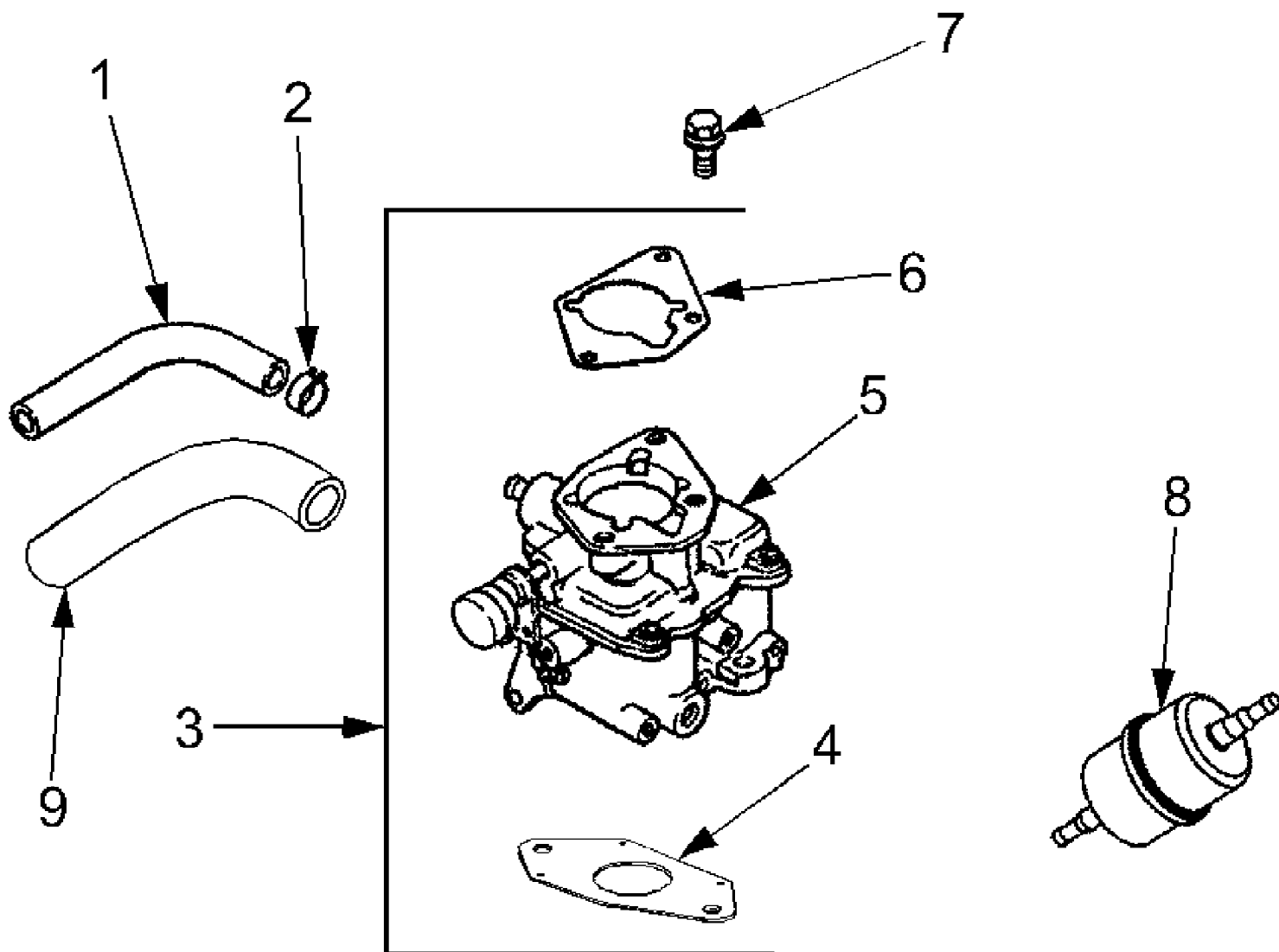
Ref #	Part Number	Qty	S/P/F	Description
1	603-0961	1	S	Frame
2	703-05031	1	S	Bracket, Front Seat Mount
3	703-05137A	1	S	Bracket, Hood Latch Mtg.
4	703-05377	1	S	Plate, Skid
5	703-3503A	1	/P	Lever, Hood Latch
6	703-4124	1	S	Bracket, Running Board Mtg. LH
7	703-4125	1	S	Bracket, Running Board Mtg. RH
8	710-0276	2	/P	Screw, Carriage, 5/16-18 x 1.0
9	710-0514	1	/P	Screw, Hex Cap, 3/8-16 x 1.0 GR5
10	710-1260A	11	/P	Screw, Hex Wash. Hd., 5/16-18 x .75
11	710-3083	3	/P	Screw, Hex Cap, 5/16-18 x 1.375 GR5
12	710-3168	2	/P	Screw, Carriage, 3/8-16 x 1.0
13	712-0431	3	S	Nut, Hex Flange Lock, 3/8-16
14	712-3004A	5	/P	Nut, Hex Flange Lock, 5/16-18
15	726-0211	4	S	Nut, U Speed, 5/16-18
16	726-0455	1		Latch, Hood



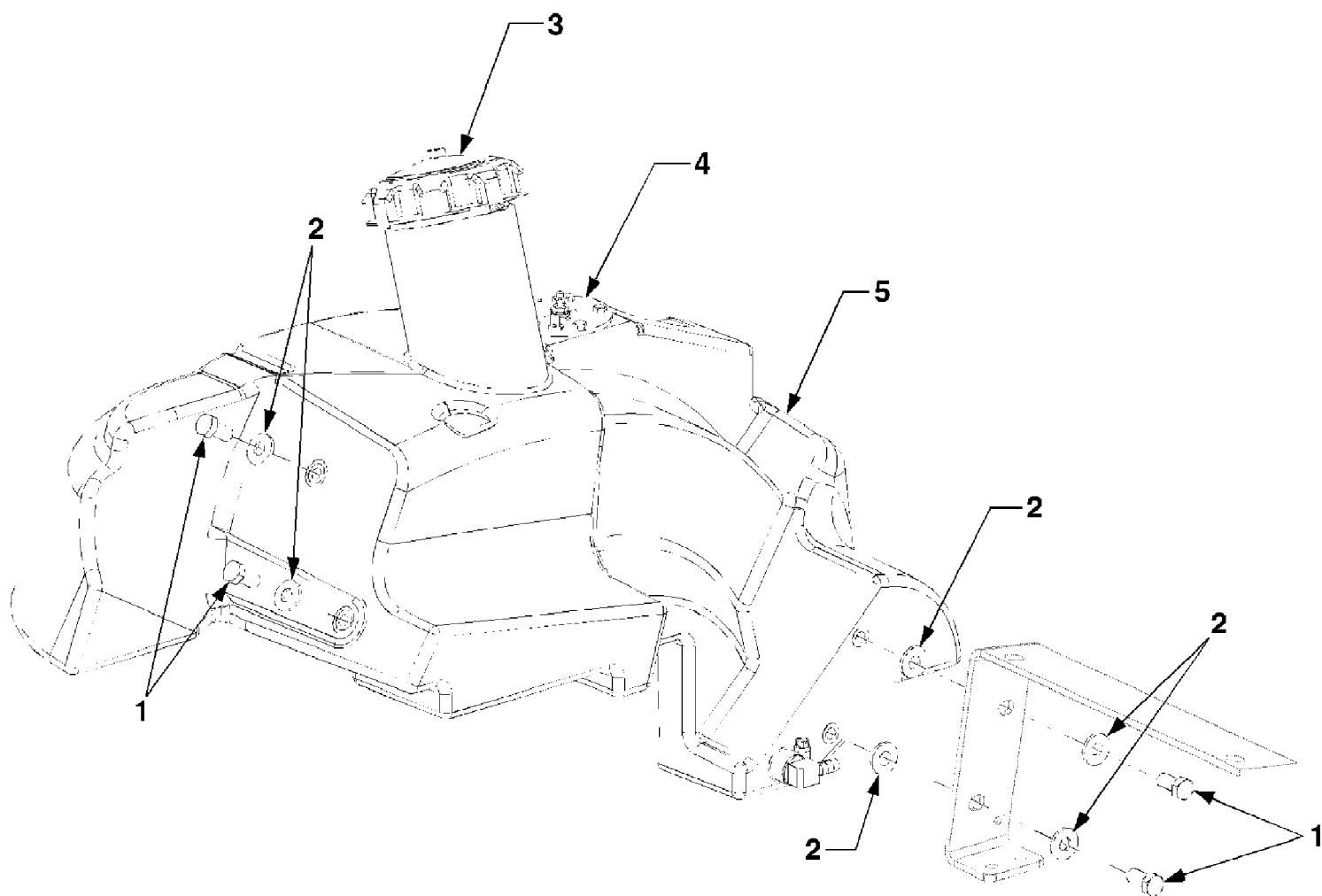
5252E Tractor S/N 1J015G & Before
Front Axle

Page 31 of 73

Ref #	Part Number	Qty	S/P/F	Description
1	603-04088-0637	2	/P	Bracket, Axle Mounting
2	603-0721	1		Pin, Pivot Axle
3	603-0908A-0637	1	S	Spindle Assembly, Steering LH
4	603-0909A-0637	1	/P	Spindle Assembly, Steering RH
5	619-3078	2		Hub Assembly
	741-3116	4		Bearing, Ball
6	703-05188	1	S	Bracket, Cylinder Mounting
7	710-04208	4		Screw, Hex Cap, w/Patch M12-1.75 x 25 GR8
8	710-1808	8		Bolt, Lug, M12-1.75 x 14 GR8.8
9	710-3118	1	/P	Screw, Hex Cap Lock 3/8-16 x 1.0 GR5
10	710-3126	2	/P	Screw, Hex Cap Lock 1/2-13 x 1.0 GR5
11	710-3181	10	/P	Screw, Hex Cap 1/2-13 x 1.5 GR5
12	712-3005	1	S	Nut, Hex Flange Lock, 3/8-16 GR5
13	712-3016	4	/P	Nut, Hex Insert Lock 5/8-11 GR5
14	712-3083	8	/P	Nut, Hex Insert Lock, 1/2-13 GR8
15	712-3103	2		Nut, Hex Flange Lock, M12 x1.75
16	712-3104	1		Nut, Hex, M12 x 1.75 RH Thrd
17	712-3105	1		Nut, Hex, M12 x 1.75 LH Thrd
18	717-3502	1	S	Cylinder, Steering
19	719-3163	1		Axle, Pivot
20	721-0526	2		O-Ring, 1.374 x .139
21	723-0462	1		Ball Joint, RH Thrd
22	723-0463	1		Ball Joint, LH Thrd
23	736-0746	2		Washer, Flat, .66 x 1.94 x .25
24	736-0748	4		Washer, Flat, 1.25 x 1.94 x .063
25	736-0869	2		Washer, Flat, 1.25 x 2.25 x .040
26	736-3027	2		Washer, Flat, .531 x 1.75 x .09
27	737-3000	5	S	Fitting, Lube, 3/6 Drive
28	738-04049	1	S	Screw, Shoulder, .75 x 1.03
29	741-3110	4		Bearing, Sleeve, 1.25x1.5x1.25
30	741-3115	2		Bearing, Thrust, 1.25 x 1.94 x .78
31	747-3421	1		Rod, Tie
32	750-0499	2	/P	Spacer, .501 x .75 x .78



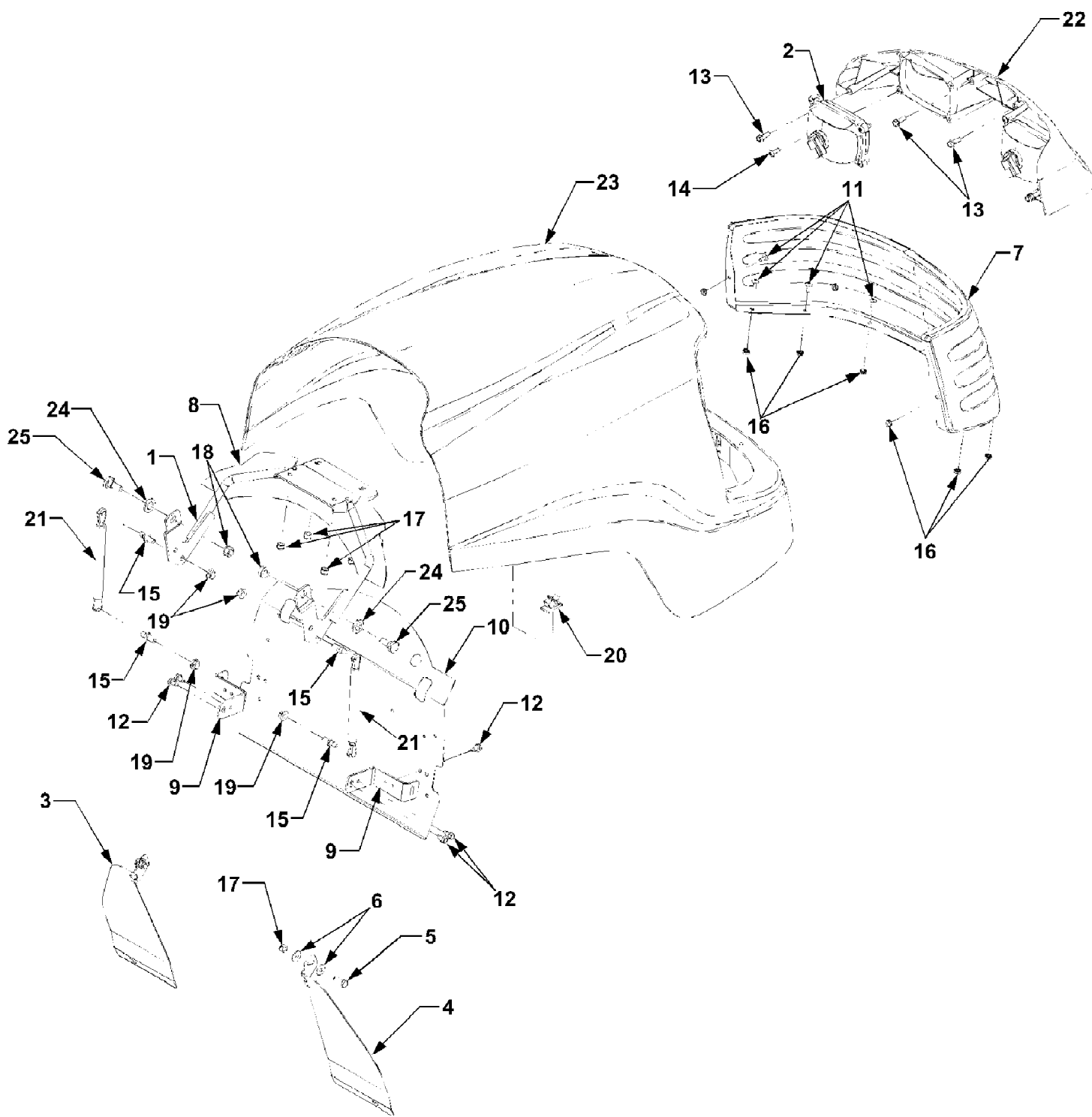
Ref #	Part Number	Qty	S/P/F	Description
1	KH-41-353-14	1	S	Line, Fuel 15.5"
2	KH-25-237-14-S	2	/P	Clamp, Hose
3	KH-24-853-91-S	1		Kit, Carburetor w/Gasket (Includes 4-6)
4	KH-24-041-52-S	1	/P	Gasket, Carburetor
5		1		Carburetor Assembly Not available separately
6	KH-24-041-14	1	/P	Gasket, Air Cleaner Base
7	KH-M-651025-S	2		Screw, Hex Flange, M6 x 1.0 x 25
8	KH-24-050-09-S	1	S	Filter, Fuel
9	KH-25-431-12-S	1		Sleeve, Insulator
	KH-24-518-24-S	1		Lead, Ground
	KH-24-757-01	1	/P	Kit, Solenoid Not Shown; Includes Solenoid Screw [qty. 2], O-Ring, O-Ring, O-Ring, Solenoid Assembly & Solenoid Seat.
	KH-24-757-02-S	1	/P	Kit, Float Repair Not Shown; Includes Carburetor Body Gasket, Float Screw, Float Assembly and Float Shaft.
	KH-24-757-03-S	1	/P	Kit, Carburetor Repair Not Shown; Includes Carburetor Gasket; Carburetor Body Screw; Idle Needle Spring; U-Ring; Slow Jet O-Ring; Main Jet Screw O-Ring; Solenoid O-Rings; Inlet Needle Valve Clip; Idle Needle and Inlet Needle Valve.
	KH-24-757-07	1		Kit, Choke Repair Not Shown; Includes Choke Plate Screws; Choke Spring; Choke Lever; Choke Shaft; Choke Plate; Choke Bushings; and Choke Lever Cap.
	KH-24-755-25-S	1	/P	Kit, High Altitude Not Shown



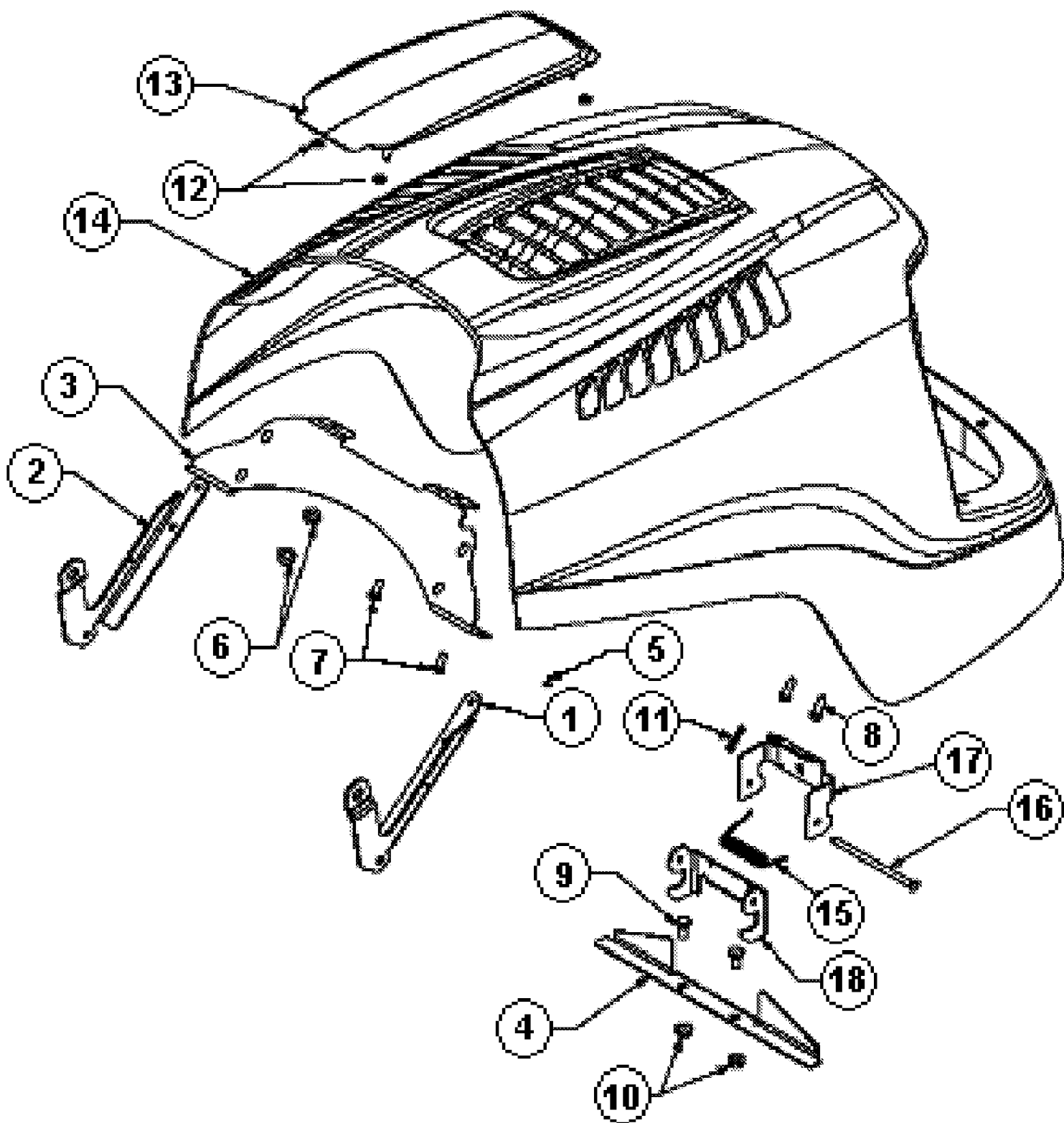
5252E Tractor S/N 1J015G & Before
Fuel Tank

Page 35 of 73

Ref #	Part Number	Qty	S/P/F	Description
1	710-3119	4	/P	Screw, Hex Cap, Lock 3/8-16 x .75 GR5
2	736-0262	6	/P	Washer, Flat, .385 x .87 x .092
3	751-3124B	1	S	Cap, Fuel
4	751-10099	1	S	Sensor, Fuel Level
5	751-3212	1		Tank, Fuel



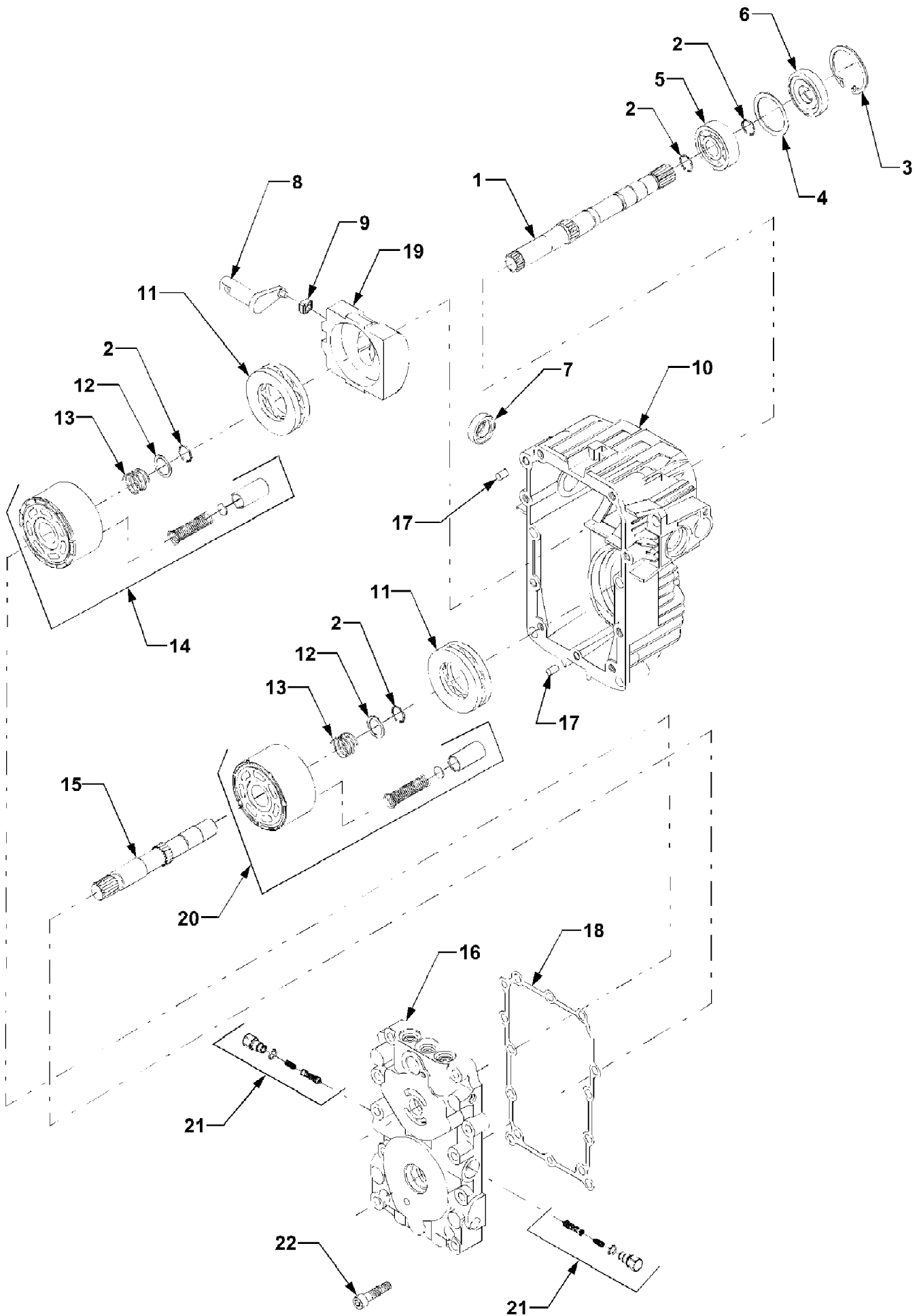
Ref #	Part Number	Qty	S/P/F	Description
1	603-0719A-0637	1	/P	Hinge Assembly, Hood
2	625-04004	1	S	Headlight Assembly
2	725-04084	2	S	Bulb Assembly, Headlight
3	703-05143-0637	1	/P	Shield, Running Board LH
4	703-05145-0637	1	/P	Shield, Running Board RH
5	710-3015	2	/P	Screw, Hex Cap, 1/4-20 x .75 GR5
6	736-3090	4	/P	Washer, Flat, .26 x .72 x .060
7	703-3394	1	S	Screen, Intake
8	703-3712A	1	S	Shield, Upper Heat
9	703-3764-0637	2		Bracket, Panel Mtg.
10	703-3765-0637	1		Shield, Lower Heat
11	710-0473	8	/P	Screw, Truss Hd, 10-24 x .5
12	710-0599	6	/P	Screw, Hex Wash Hd Tapp 1/4-20 x .5
13	710-0895	4		Screw, Hex Wash. Hd. 1/4-20 x .75
14	710-1220	8	/P	Screw, Truss Phil. Hd. 12-16 x .75
15	710-3170	4		Stud, Cylinder, 5/16-18 Thrđ
16	712-0272	8	/P	Nut, Hex Sems, 10-24
17	712-0324	6	/P	Nut, Hex Nylon Insert Lock, 1/4-20
18	712-0431	2	S	Nut, Hex Flange Lock, 3/8-16
19	712-3004A	4	/P	Nut, Hex Flange Lock, 5/16-18
20	726-04010	1		Clip, Retaining
21	727-3194	2		Cylinder, Gas Spring
22	731-04211	1	S	Bezel, Headlight
23	759-04113A	1	/P	Hood, Service Kit Replaces 731-3277, Refer to diagram Hood 759-04113A
23	731-06889	1	S	Hood Replaces 731-3277
23	777D07558	1		Graphic, Hood RH
23	777D07559	1		Graphic, Hood LH
23	777D07727	1	/P	Graphic, Model 5252 LH
23	777D07728	1	/P	Graphic, Model 5252 RH
24	736-0192	2	S	Washer, Flat, .531 x .93 x .090
25	738-0380	2	S	Screw, Shoulder, .5 x .27 Lg 3/8-16



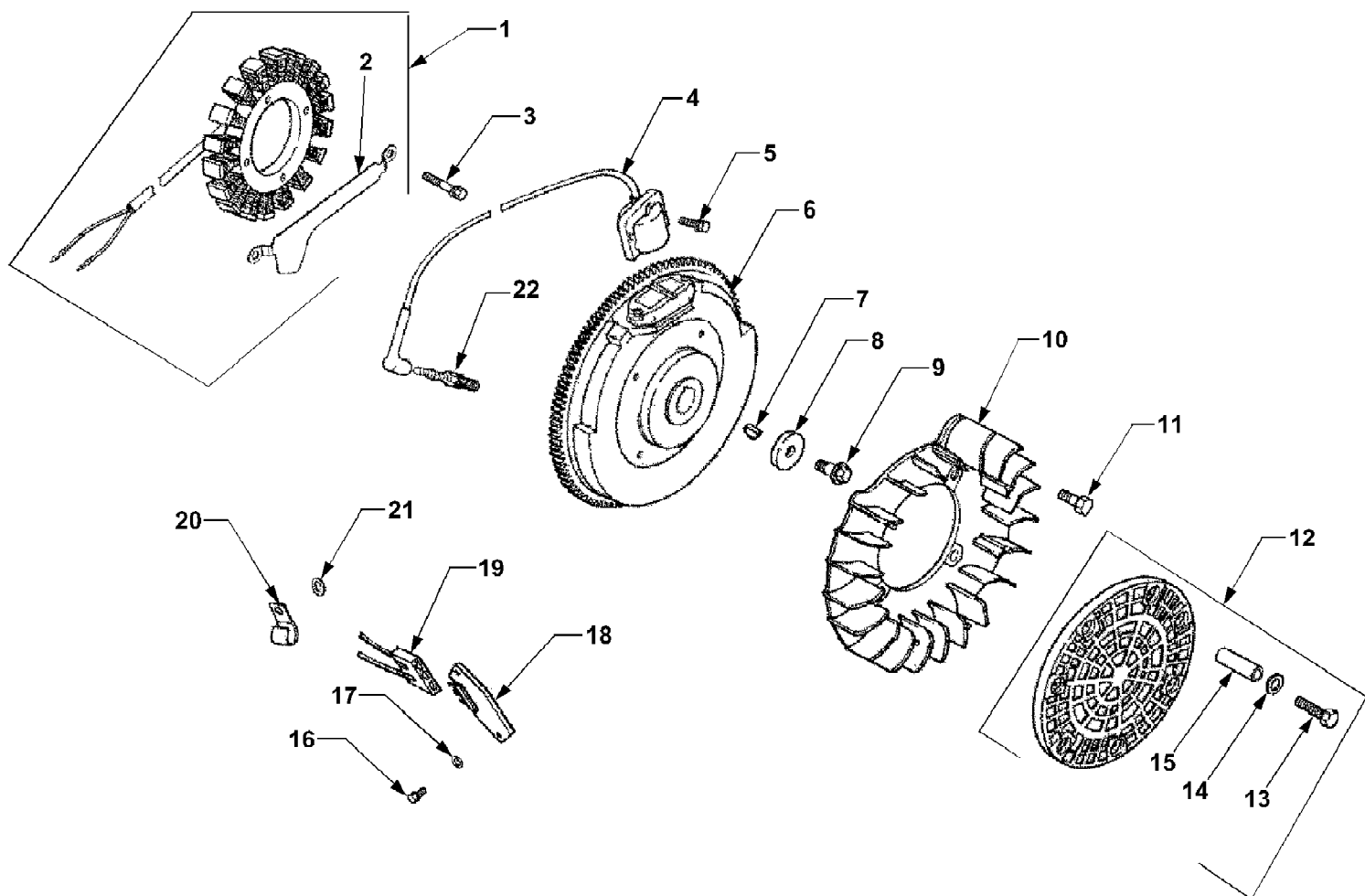
Ref #	Part Number	Qty	S/P/F	Description
1	703-05652	1		RH Hinge Bracket
2	703-05653	1		LH Hinge Bracket
3	703-05655A	1		Hood Mounting Bracket
4	703-05782	1	/P	Hood Latch Bracket
5	710-0224	1	S	#10-16 x .500 Hex Screw
6	710-0607	4	/P	5/16-18 x .50 Screw
7	710-1242	4	/P	5/16-14 x .75 HiLow Screw
8	710-0895	2		1/4-20 x .750 Screw
9	710-3025	2	/P	5/16-18 x .625 Bolt
10	712-04063	2	/P	5/16-18 Nylon Flange Lock Nut
11	714-0104	1	S	Cotter Pin
12	726-0233	4	/P	Push Nut
13	731-05161	1	S	Hood Cover
14	731-06889	1	S	Hood
15	732-04281A	1	/P	Latch Spring
16	747-1323A	1		Pivot Rod
17	783-04714	1	S	Latch Plate
18	783-04717A	1	/P	Pivot Latch Bracket
	721-04162	2		Foam Strip Not shown
	736-0400	2	S	Flat washer Not shown
	726-0272	1	/P	Clamp Not shown
	759-04113A	1	/P	Service Kit Includes all parts shown



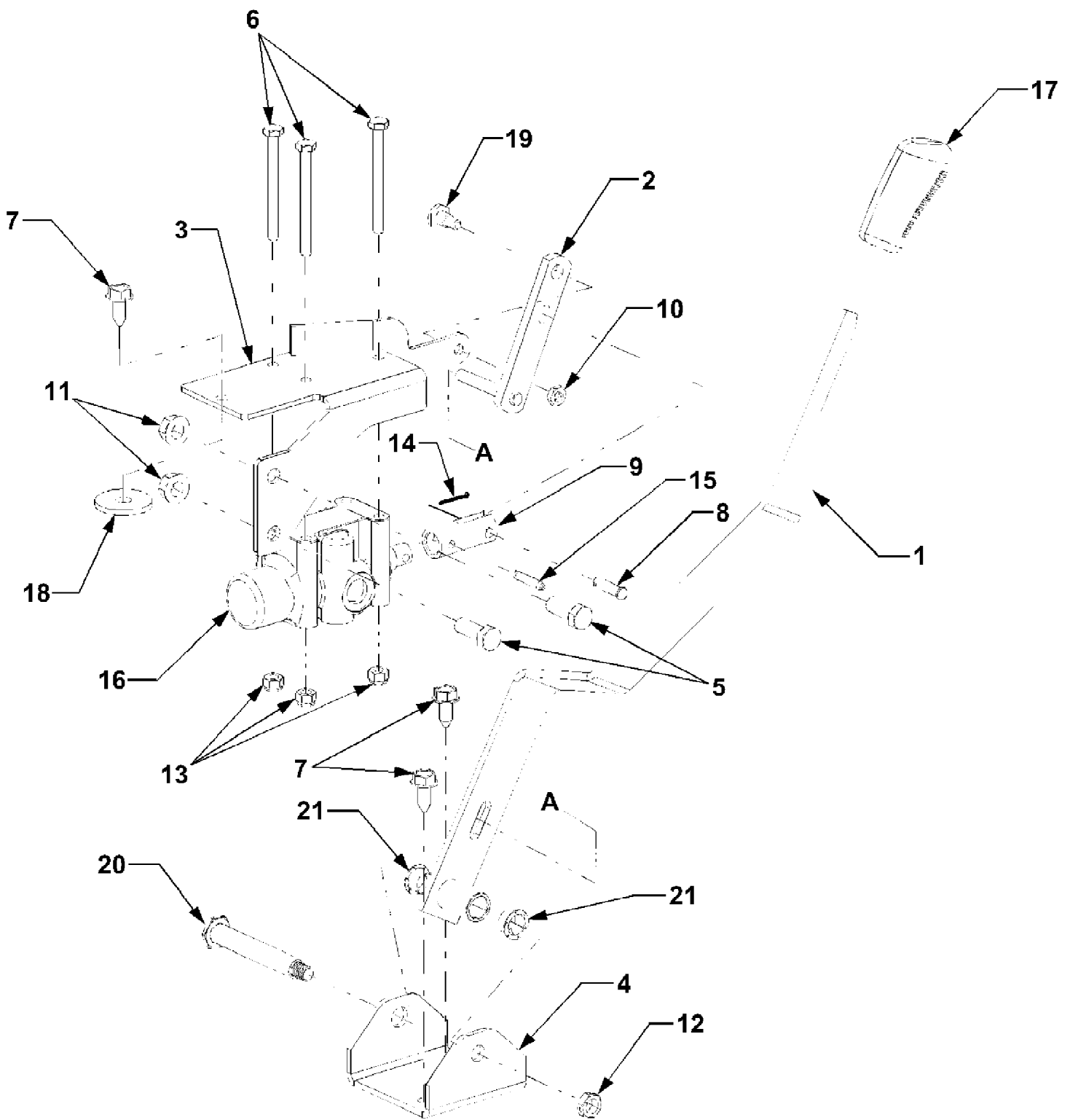
Ref #	Part Number	Qty	S/P/F	Description
1	725-0157	5	/P	Tie, Cable
2	727-04000	2		Hose, Steering
3	727-04001	1		Hose, Steering Pressure
4	727-04002	1		Hose, Steering - Tank
5	727-04003	1		Hose, Lift Inlet
6	727-04014	1		Hose, Lift Cylinder
7	727-04015	1		Tube, Cylinder Return
8	727-04016	1		Tube, Lift Return Line
9	727-3012	3	/P	Fitting, 90 Degree
10	737-04033	2	S	Fitting, 90 Degree Swivel
11	737-3127	1		Fitting, 90 Degree



Ref #	Part Number	Qty	S/P/F	Description
1	HG-51877	1	/P	Shaft, Pump
2	HG-2000022	4	/P	Ring, Wire Retaining
3	HG-2000038	1	/P	Ring, Retaining
4	HG-2000023	1	/P	Spacer
5	HG-2000032	1	/P	Bearing, Ball
6	HG-51092	1	/P	Seal, Lip
7	HG-2000037	1	/P	Seal, Lip
8	HG-2000014	1	/P	Arm, Trunnion
9	HG-2000015	1	/P	Guide, Slot
10	HG-2510096	1	/P	Housing Assembly
11	HG-50552	2	/P	Bearing Assembly, Thrust Ball
12	HG-2000024	2	/P	Washer, Block Thrust
13	HG-2000025	2	/P	Spring, Block
14	HG-2510014	1	/P	Kit, Pump Cylinder Block
15	HG-2000007	1	/P	Shaft, Motor
16	HG-70973	1		Kit, Center Section
17	HG-50641	2		Pin
18	HG-2000061	1	/P	Gasket, Center Section
19	HG-50203	1		Swashplate, Variable
20	HG-2510013	1	/P	Kit, Motor Cylinder Block
21	HG-70743	2	/P	Shock Valve
22	HG-9007314-0808	8	/P	Screw, Socket Head Cap
	HG-2510010	1	/P	Kit, Overhaul Seal



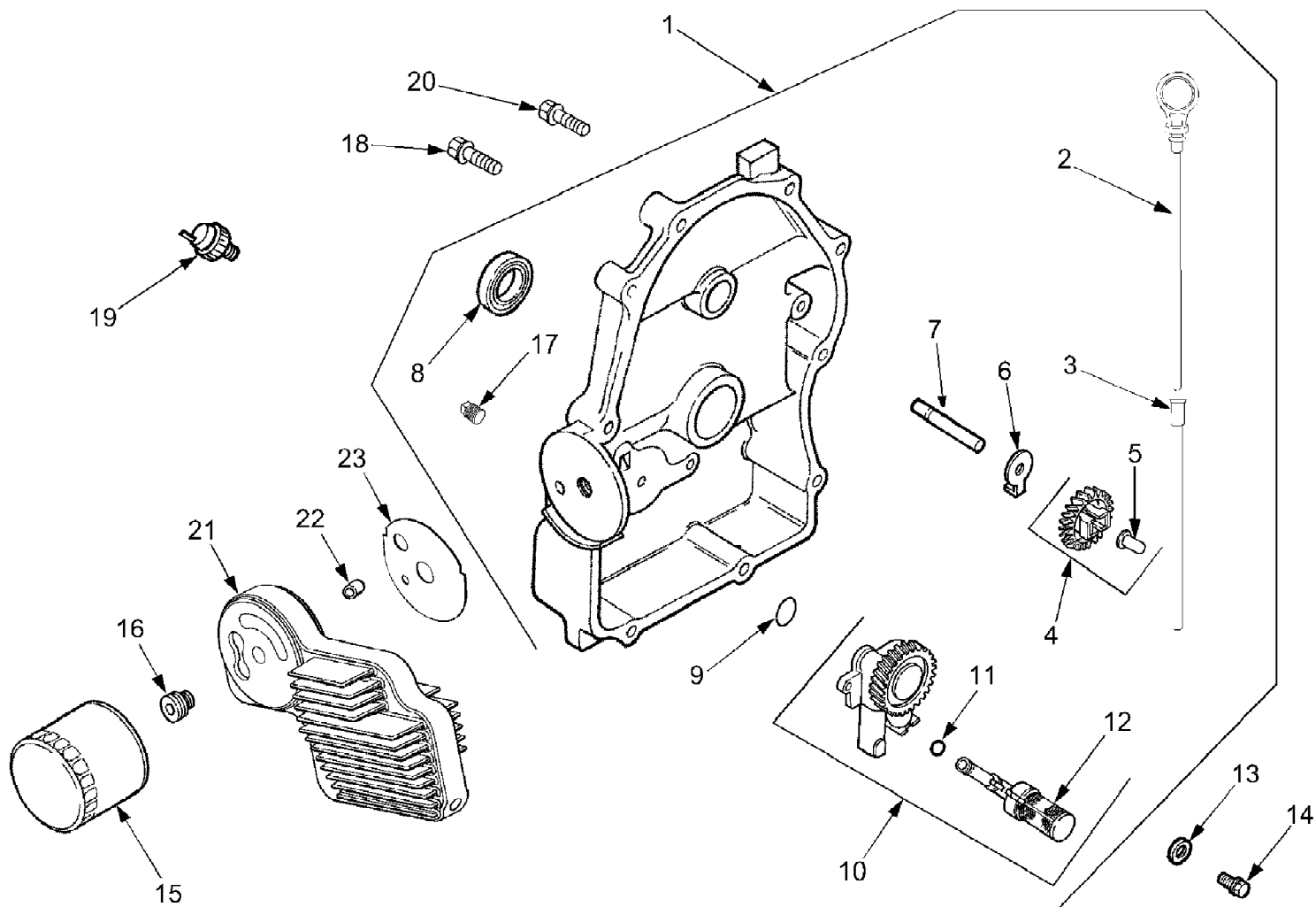
Ref #	Part Number	Qty	S/P/F	Description
1	KH-54-755-09-S	1	S	Kit, 15 Amp Stator (Includes Ref. 2)
2	KH-24-126-71	1		Bracket, Stator
3	KH-M-548025-S	2	/P	Screw, Hex Cap M5 x 0.8 x 25
4	KH-24-584-01	2	S	Module, Ignition
5	KH-M-545020-S	4		Screw, Hex Flange M5 x 0.8 x 20
6	KH-24-025-04	1	S	Flywheel
7	KH-X-42-15	1	/P	Key
8	KH-12-468-03	1	/P	Washer, Plain 3/8"
9	KH-12-086-14	1		Screw, Hex Flange M10 x 1.5 x 46
10	KH-24-157-07-S	1	S	Fan
11	KH-25-086-47	4	/P	Bolt, Shoulder, M6 x 1.0 x 16
12	KH-54-755-15	1	/P	Kit, Grass Screen (Includes Ref. Nos. 13-15)
13	KH-M-403025	4		Screw, Hex Cap M4 x 0.7 x 25
14	KH-X-25-92	4		Washer, Plain 3/16"
15	KH-24-112-04	4		Spacer
16	KH-24-086-18	2		Screw, Phillips Hd. 11-16 x 7/8"
17	KH-X-25-92	2		Washer, Plain 3/16"
18	KH-25-403-05-S	1	S	Rectifier-regulator 15 Amp
19	KH-236602-S	1	S	Connector (3 Contact)
20	KH-235173	1		Clip, Cable
21	KH-X-25-63	1	/P	Washer, Plain 1/4"
22	759-3336	2	/P	Spark Plug
	KH-24-176-08	1	S	Harness, Wire
	KH-24-518-12-S	1	/P	Lead
	KH-25-086-91-S	2	/P	Screw, Tapping, #10-16 x .5
	KH-25-454-03-S	1		Tie, Wire



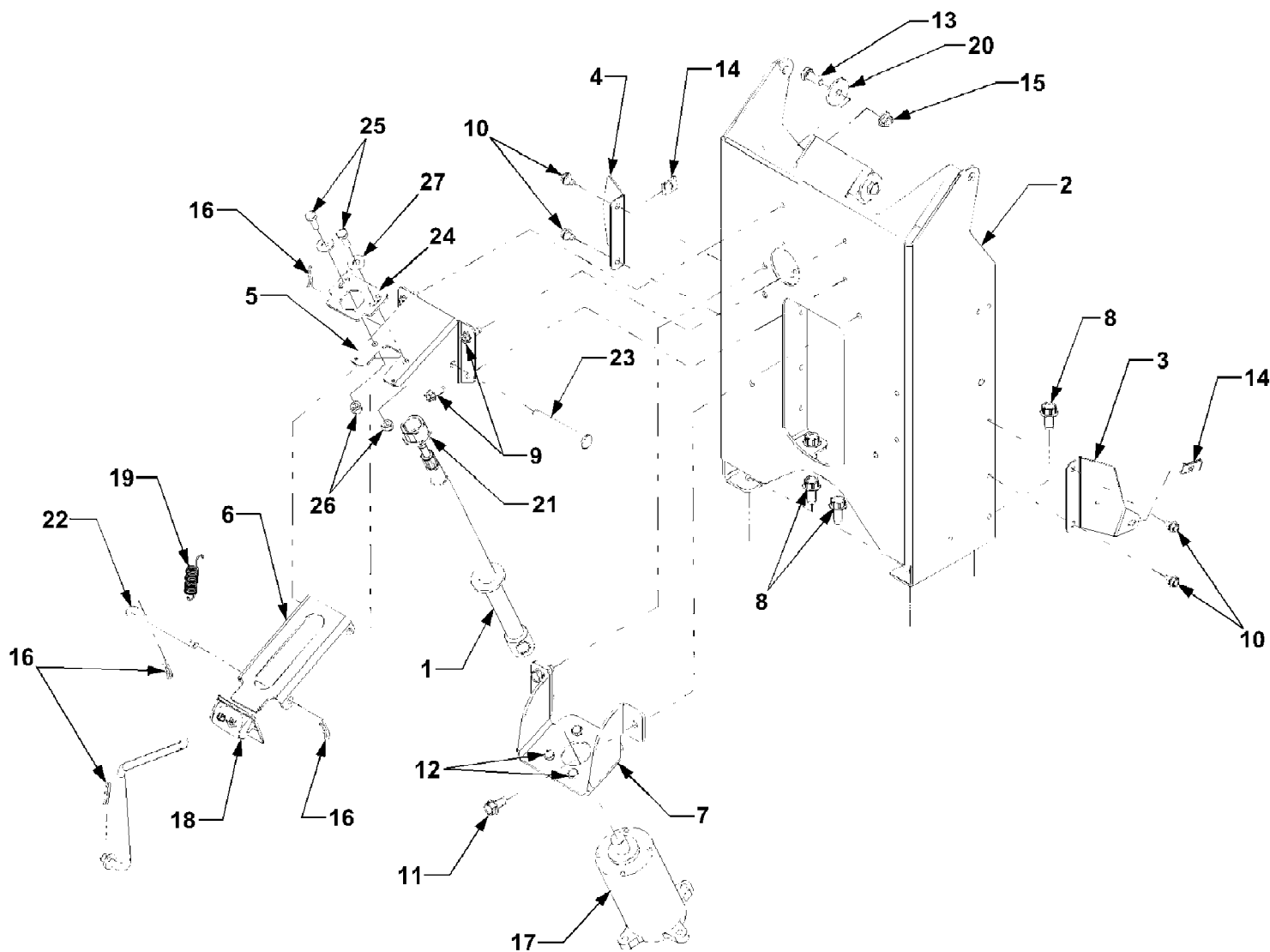
5252E Tractor S/N 1J015G & Before
Lift Valve

Page 47 of 73

Ref #	Part Number	Qty	S/P/F	Description
1	603-04032	1	S	Handle, Lift
2	603-04033	1	S	Link, Valve
3	603-04035	1	S	Bracket, Lift Valve Mounting
4	703-05038	1	S	Bracket, Handle Pivot
5	710-0514	2	/P	Screw, Hex Cap, 3/8-16 x 1.0 GR5
6	710-0564	3	/P	Screw, Hex Cap 1/4-20 x 2.75 GR5
7	710-1260A	3	/P	Screw, Hex Wash, Hd Tapp 5/16-18 x .75
8	711-04214	1		Pin, Clevis, .25 x .9375
9	711-1614	1		Link, Valve
10	712-0298	1	S	Nut, Hex Jam, 1/4-20
11	712-0431	2	S	Nut, Hex Flange Top Lock, 3/8-16 GRF
12	712-0266	1	S	Nut, Hex Ctr Lock Jam, 3/8-16
13	712-0324	3	/P	Nut, Hex Nylon Insert Lock 14-20 GR8
14	714-0127	1	/P	Pin, Cotter, 1/16 x .75
15	715-0120	1	S	Pin, Spirol, 3/16 x 1.0
16	718-3130	1		Valve, Hydraulic Lift
17	731-3321	1		Grip, Handle
18	736-0258	1	/P	Washer, Flat, .385 x 1.0 x .135
19	738-0137A	1	S	Screw, Shoulder, .34 x .285
20	738-0215A	1	/P	Screw, Shoulder, .498 x 2.99
21	741-0491	2		Bearing, Nylon Flange .5 ID



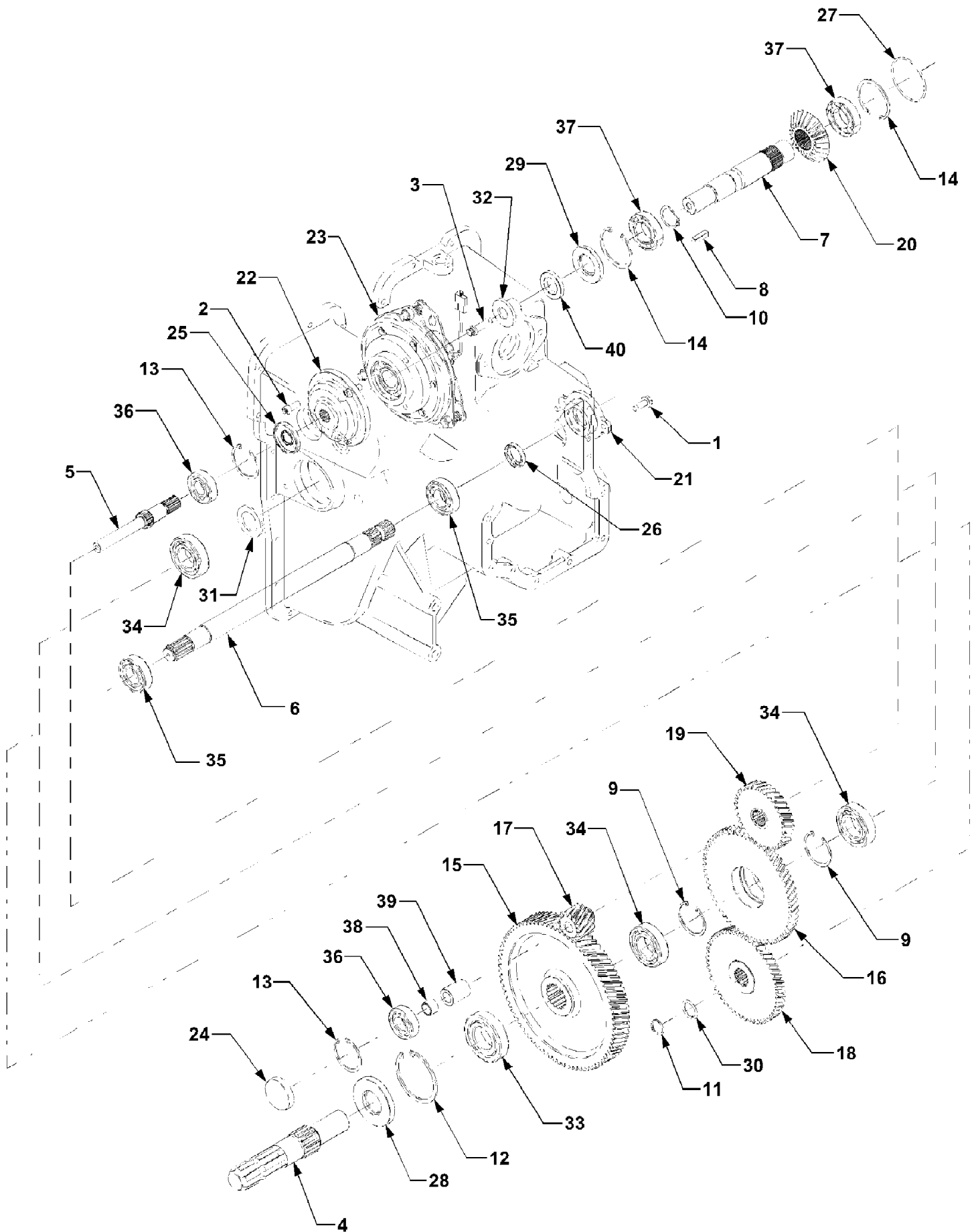
Ref #	Part Number	Qty	S/P/F	Description
1	KH-24-009-153-S	1		Plate, Closure Assembly (Includes 2-12, 17)
2	KH-24-038-10-S	1	/P	Dipstick
3	KH-24-755-121-S	1	/P	Tube, Dipstick (Includes 2)
4	KH-24-043-12	1	/P	Kit, Governor Gear (Includes 5)
5	KH-12-380-01	1	/P	Pin, Governor Regulating
6	KH-24-448-01-S	1	/P	Tab, Locking
7	KH-12-144-02	1		Shaft, Governor Gear
8	KH-52-032-08-S	1	S	Seal, Oil (PTO End)
9	KH-24-153-08	1		O-Ring
10	KH-24-393-37-S	1	S	Oil Pump Assembly (Includes 11,12)
11	KH-24-153-01	1	/P	O-Ring, Oil Pick-Up
12	KH-24-381-04	1		Pick-Up, Oil
13	KH-M-0631005	2	S	Washer, Plain
14	KH-M-645025-S	2	/P	Screw, Hex Flange M6 x 1 x 25
15	KH-12-050-08	1	S	Filter, Oil
16	KH-24-136-05-S	1		Nipple, Oil Filter
17	KH-25-139-60-S	2	/P	Plug, Pipe 1/8"
18	KH-24-086-16	9	S	Screw, Hex Flange M8 x 1.25 x 45
19	KH-25-099-24-S	1	S	Switch, Pressure
20	KH-24-086-17	1	S	Screw, Hex Flange M8 x 1.25 x 45
21	KH-24-594-24-S	1		Cooler, Oil
22	KH-24-380-13-S	1	S	Pin, Locating
23	KH-24-041-29	1		Gasket, Adapter



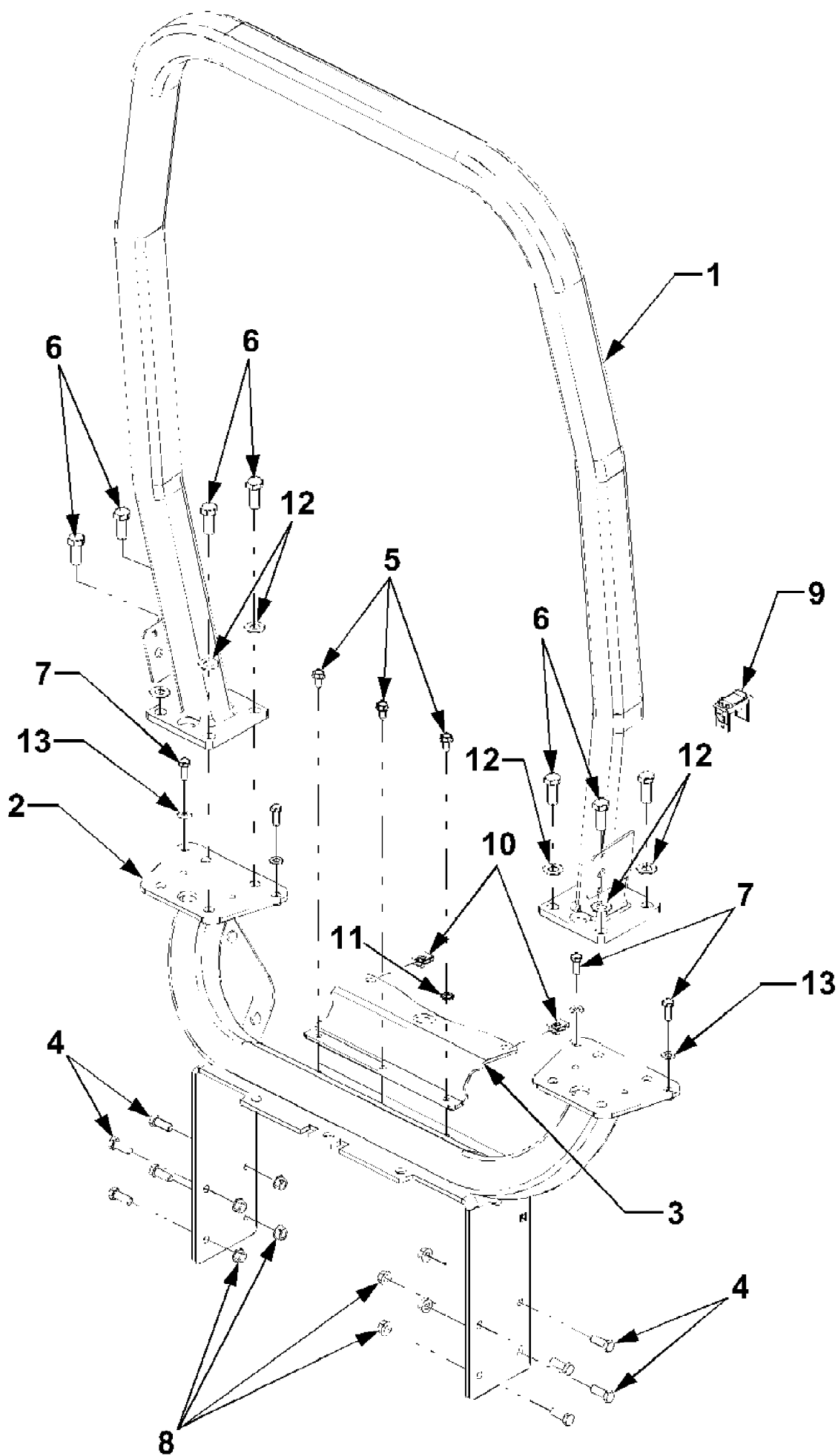
5252E Tractor S/N 1J015G & Before
Pedestal

Page 51 of 73

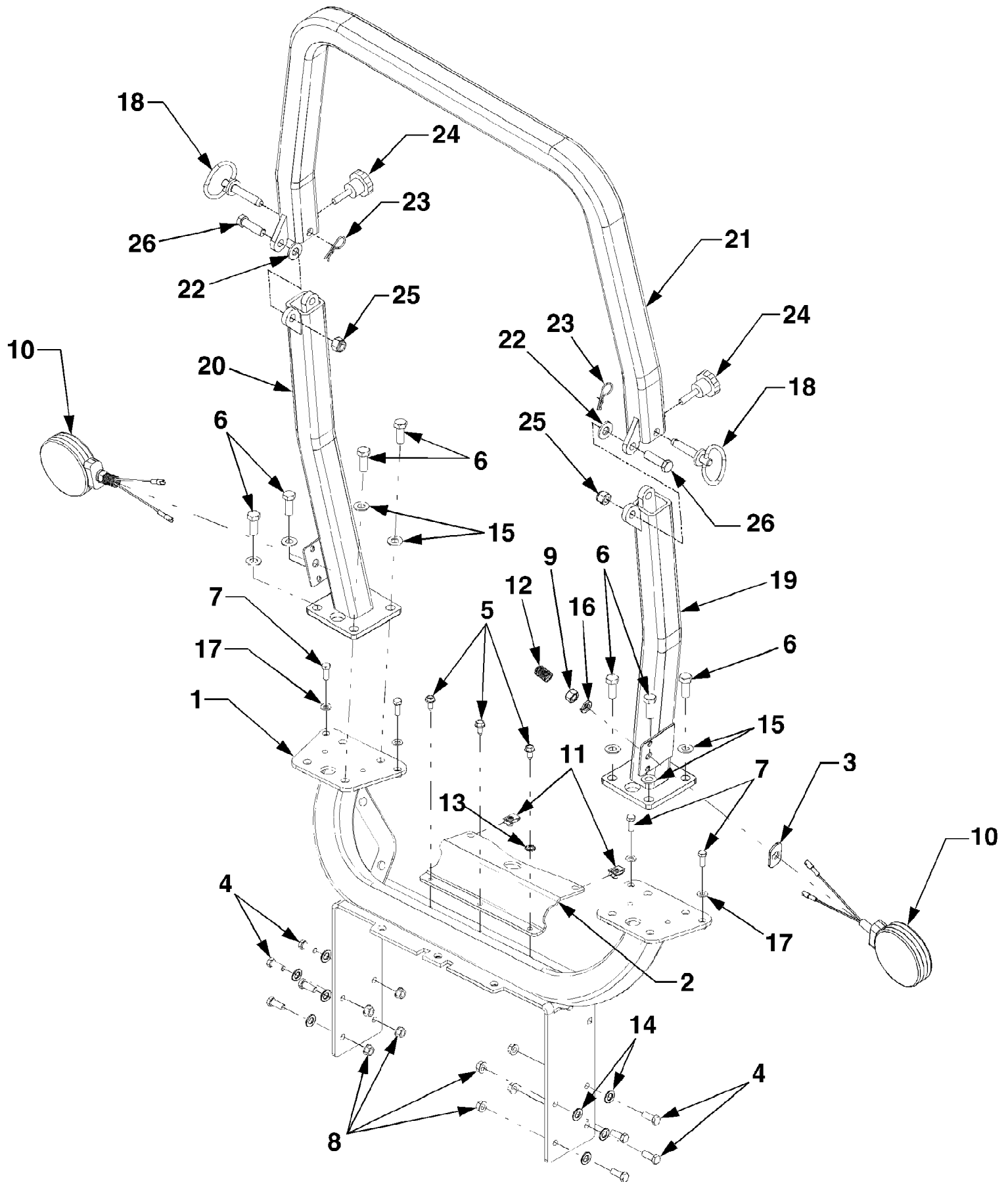
Ref #	Part Number	Qty	S/P/F	Description
1	603-04001	1	S	Shaft, Steering
2	703-3383B	1	S	Pedestal
3	703-3717	1		Bracket, Dash Mtg. RH
4	703-3721	1		Bracket, Dash Mtg. LH
5	703-05361	1	S	Bracket, Steering Column
6	703-3895	1		Bracket, Brake Lever
7	703-4154	1	S	Bracket, Pump Mtg.
8	710-0623	4	/P	Screw, Hex Wash, Hd Tapp 3/8-16 x .75
9	710-0642	4	/P	Screw, Hex Wash, Hd Tapp 1/4-20 x .75
10	710-0653	4	/P	Screw, Hex Wash, Hd Tapp 1/4-20 x .375
11	710-1260A	3	/P	Screw, Hex Wash, Hd Tapp 5/16-18 x .75
12	710-1690	4		Screw, Hex, M6-1 x 16 Hardened
13	710-3008	2	/P	Screw, Hex Cap 5/16-18 x .75 GR5
14	712-0292	2	/P	Nut, Speed, 1/4-20
15	712-3004A	2	/P	Nut, Hex Flange Lock, 5/16-18
16	714-0104	4	S	Pin, Internal Cotter
17	718-3155	1	S	Pump, Hydraulic Steering
18	731-3359	1		Lever, Parking Brake
19	732-3002	1	S	Spring, Extension
20	736-0343	2	/P	Washer, Flat, .33 x 1.25 x .12
21	741-0245	1	S	Bearing, Hex Flange, .75 ID
22	747-04001	1		Rod, Parking Brake
23	747-3454	1		Pin, Parking Brake Pivot
24	703-05362	1	S	Plate, Bearing
25	710-3015	2	/P	Screw, Hex Cap, 1/4-20 x .75 GR5
26	712-0324	2	/P	Nut, Hex Insert Lock, 1/4-20
27	736-0173	2	/P	Washer, Flat, .28 x .74 x .063



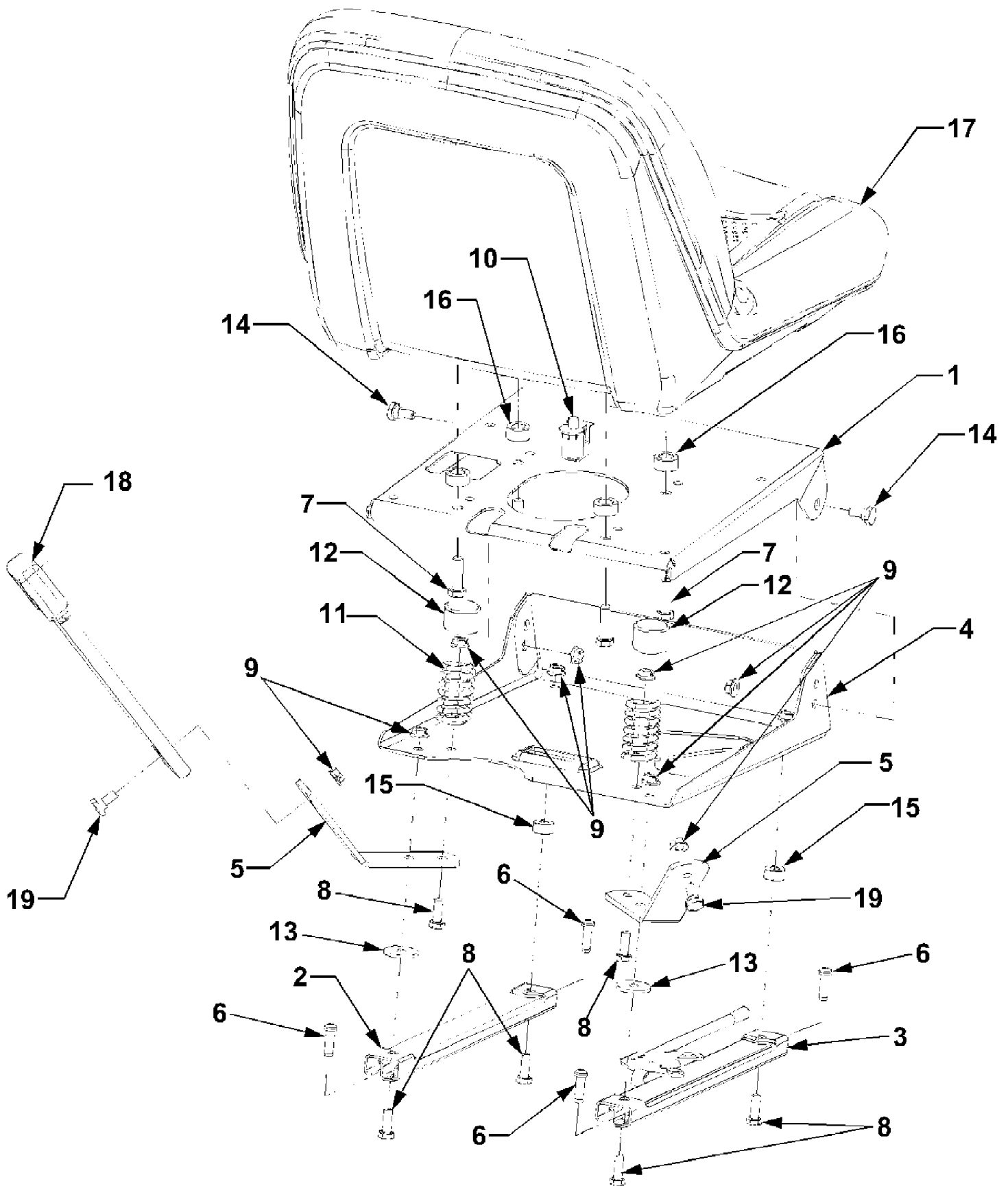
Ref #	Part Number	Qty	S/P/F	Description
1	710-0650	2	/P	Screw, Hex Wash. Hd. Tapp. 5/16-18 x .875
2	710-1177	3	/P	Screw, Socket Hd. 5/16-18 x .75
3	710-04116	1	/P	Screw, 12 Pt. Wash. Hd. w/Patch 3/8-16 x 1.25
4	711-1325	1		Shaft, 540 PTO
5	711-1683A	1	S	Shaft, Clutch Back
6	711-1684	1	S	Shaft, 2000 PTO
7	711-1685	1	S	Shaft, Input PTO
8	714-0128	1	/P	Key, Square, 1/4 x 1.0
9	716-0180	2		Ring, Retaining
10	716-0181	1	/P	Ring, Retaining
11	716-0384	1		Ring, Retaining
12	716-0387	1		Ring, Retaining
13	716-0393	2		Ring, Retaining
14	716-04000	2	S	Ring, Retaining
15	717-3469	1		Gear, 540 PTO, 81T
16	717-3487	1		Gear, 2000 PTO, 61T
17	717-3492	1		Gear, Pinion, 540 PTO:14T
18	717-3494C	1	/P	Gear, Pinion, 2000 PTO:54T
19	717-3551	1	S	Gear, Pinion, 2000 PTO:34T
20	717-04113	1	S	Gear, Bevel, 32T
21	718-0681	1		Cover, 2000 PTO
22	718-04000	1	S	Adapter, PTO Output
23	718-04009	1	S	Clutch Assy. PTO
24	721-0504	1		Plug, Oil, 1.875 x .375
25	721-0507	1		Seal, Oil
26	721-0509	1		Seal, Oil
27	721-04002	1	S	O-Ring, 2.425 ID x .103
28	721-04003	1	S	Seal, Oil
29	721-04005	1	S	Seal, Oil
30	736-0570	1	S	Washer, Flat, .865 x 1.145 x .030
31	736-04001	1	S	Washer, Thrust
32	738-04003	1	S	Spacer, Shoulder
33	741-1100	1		Bearing, Ball
34	741-3033A	3	S	Bearing, Ball
35	741-3037	2	S	Bearing, Ball
36	741-3057	2	S	Bearing, Ball
37	741-04034	2	S	Bearing, Ball
38	750-3365	1	S	Spacer, 15mm x 20mm x 14mm
39	750-04013	1	S	Spacer, .6 x 1.0 x 1.345
40	750-04020	1	S	Spacer, 1.004 x 1.375 x .25



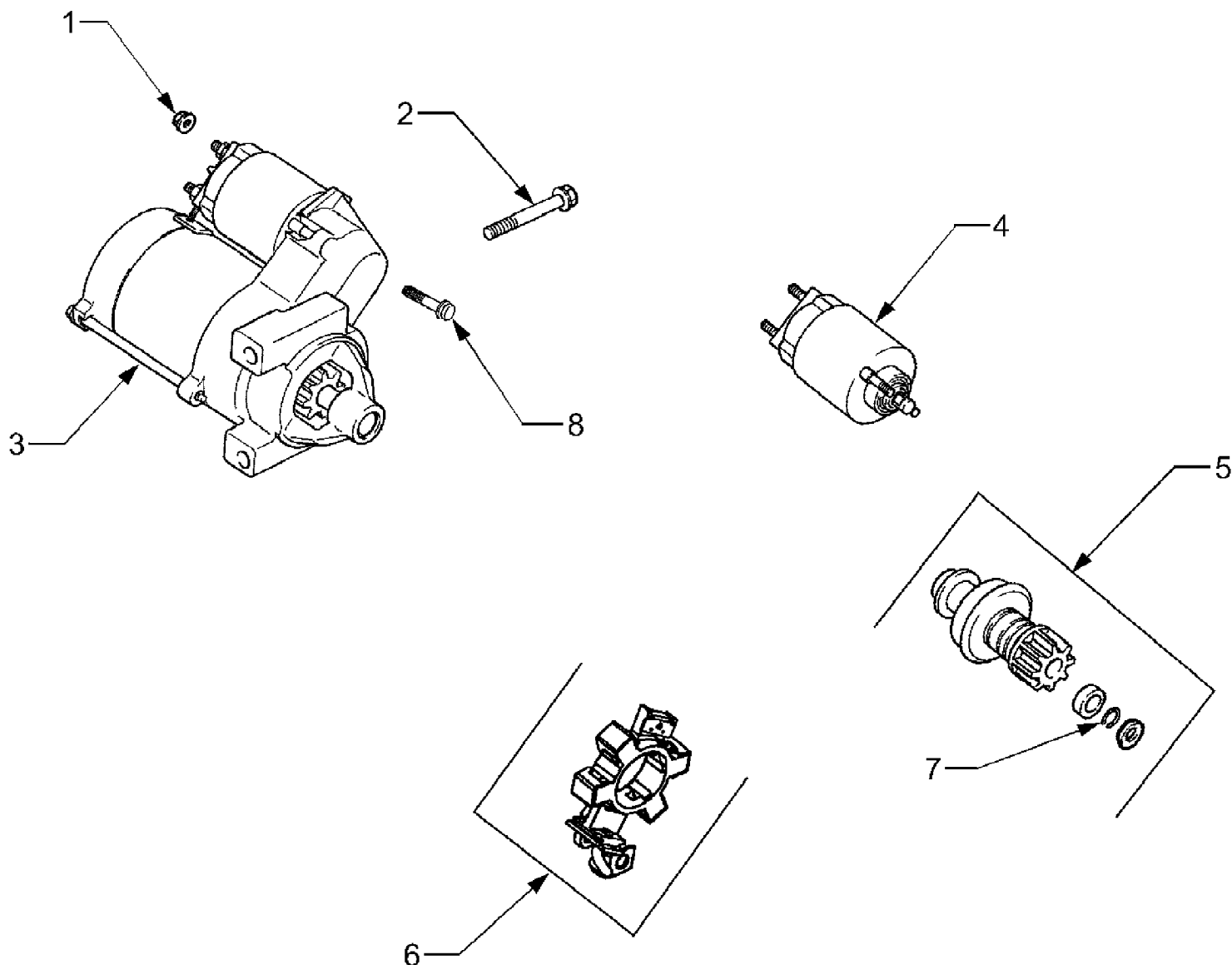
Ref #	Part Number	Qty	S/P/F	Description
1	603-04011-0637	1		Rops, Upper
2	603-04012-0637	1		Rops, Lower
3	703-05032-0637	1	/P	Bracket, Rear Seat Mounting
4	710-0514	8	/P	Screw, Hex Cap, 3/8-16 x 1.0 GR5
5	710-1260A	3	/P	Screw, Hex Wash. Hd. Tapp 5/16-18 x .75
6	710-3032	8	/P	Screw, Hex Cap, 1/2-13 x 1.25 GR5
7	710-3038	4	/P	Screw, Hex Cap, 5/16-18 x .875 GR5
8	712-0431	8	S	Nut, Hex Flange Lock, 3/8-16 GRF
9	725-2017	1		Plug
10	726-0211	2	S	Nut, Speed, 5/16-18
11	736-0148	1	/P	Washer, Ext. Tooth Lock, 3/8
12	736-0272	8	S	Washer, Flat, .51 x 1.0 x .060
13	736-0275	4	S	Washer, Flat, .344 x .688 x .065



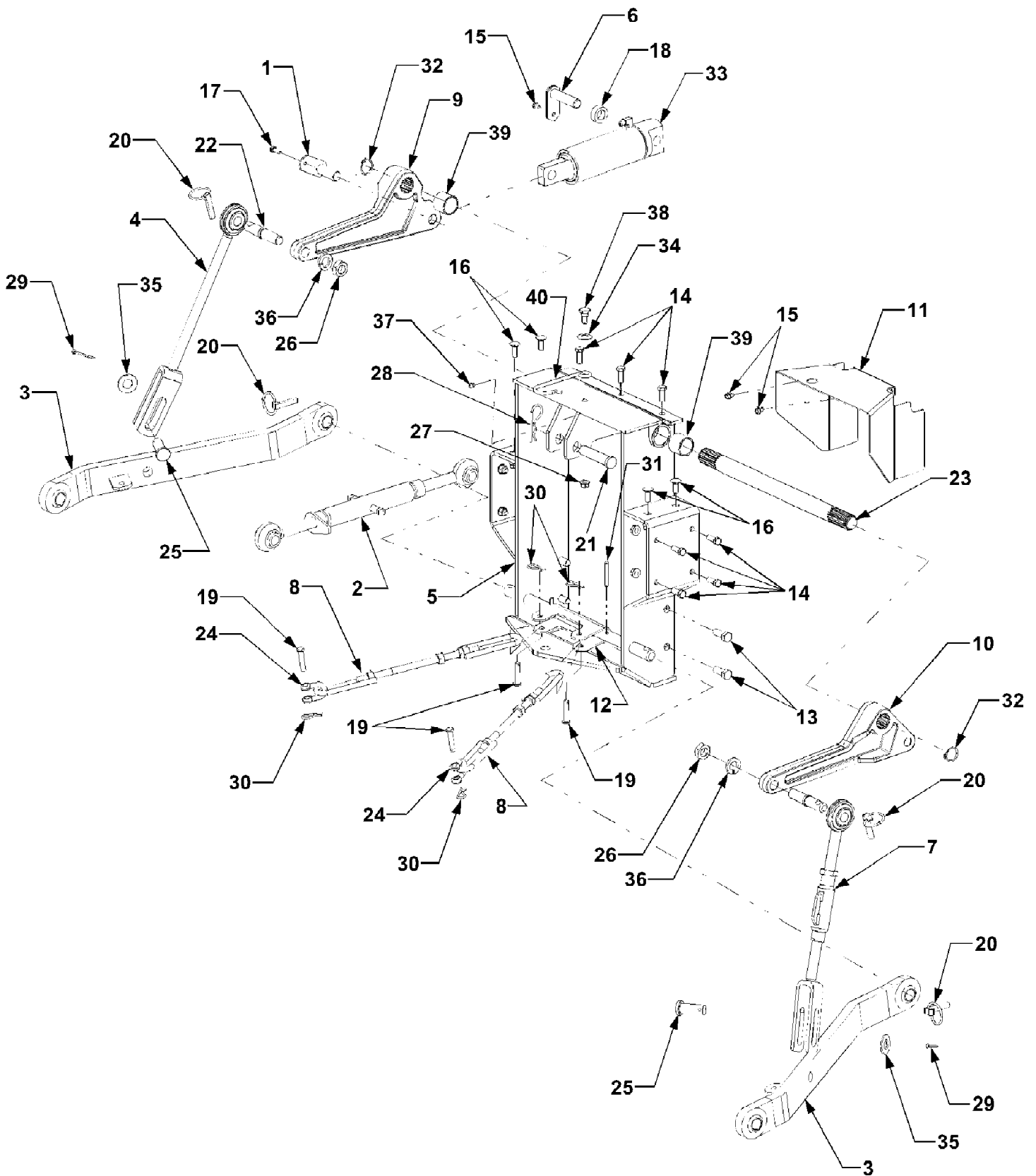
Ref #	Part Number	Qty	S/P/F	Description
1	603-04012	1		Rops, Lower
2	703-05032	1	S	Bracket, Rear Seat Mounting
3	703-05770	2		Plate, Spacer
4	710-0514	8	/P	Screw, Hex Cap, 3/8-16 x 1.0 GR5
5	710-1260A	3	/P	Screw, Hex Wash. Hd. Tapp 5/16-18 x .75
6	710-3032	8	/P	Screw, Hex Cap, 1/2-13 x 1.25 GR5
7	710-3038	4	/P	Screw, Hex Cap, 5/16-18 x .875 GR5
8	712-04065	8	/P	Nut, Hx. Insert Flange Lck, 3/8-16 GRF
9	712-3066	2	S	Nut, Hex, 1/2-20 GR5
10	725-04266	2	S	Light, Hazard
11	726-0211	2	S	Nut, Speed, 5/16-18
12	731-0757	1		Conduit 12in
13	736-0148	1	/P	Washer, Ext. Tooth Lock, 3/8
14	736-0185	8	S	Washer, Flat, .375 x .738 x .063
15	736-0272	8	S	Washer, Flat, .51 x 1.0 x .060
16	736-0921	2	S	Washer, Lock, 1/2
17	736-3089	4	/P	Washer, Flat, .345 x 1.0 x .10
18	711-04393	2		Pin, Pull
19	759-04038	1		Base
20		1		Order 759-04038
21		1		Order 759-04038
22	736-0600	2		Washer, flat
23	714-3003	2	S	Pin, Internal Cotter
24	731-05131	2		Knob Assembly
25	712-3083	2	/P	Nut, Hex Insert Lock, 1/2-13
26	710-3067	2	/P	Screw, Hex Cap, 1/2-13 x 1.75 GR5 ...



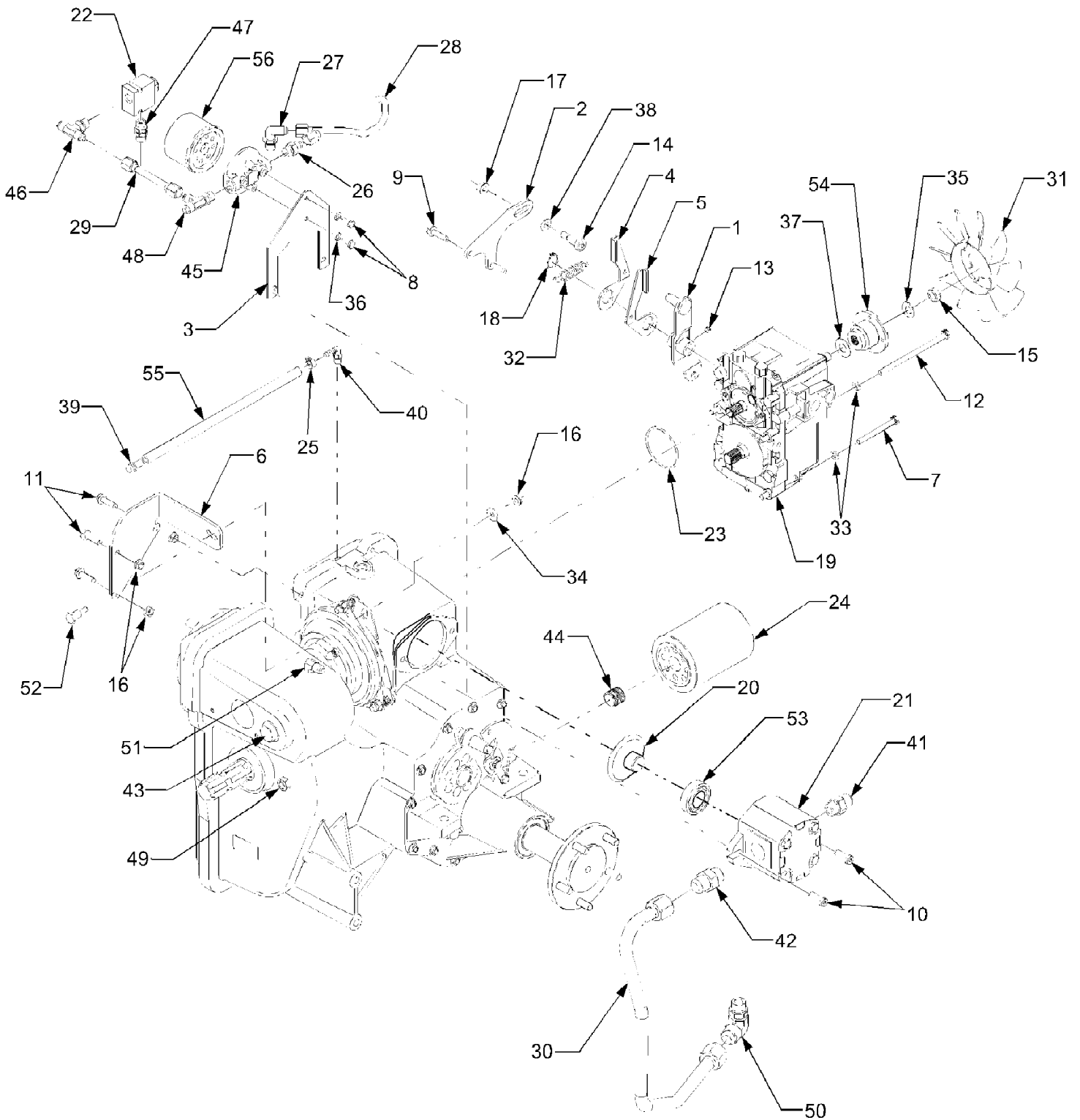
Ref #	Part Number	Qty	S/P/F	Description
1	703-1812A-0716	1	/P	Bracket, Seat Pivot
2	703-3208	1		Track, Seat - w/o Latch
3	703-3431	1	/P	Track, Seat - w/Latch
4	703-4149-0716	1	/P	Bracket, Seat Support
5	703-4151-0637	2	/P	Bracket, Seat Belt
6	710-1669	4		Screw, Pan Hd. Mach. 5/16-18 x 1.0
7	710-3005	4	/P	Screw, Hex Cap, 3/8-16 x 1.25 GR5
8	710-3038	6	/P	Screw, Hex Cap, 5/16-18 x .875 GR5
9	712-3004A	12	/P	Nut, Hx Flng Lock 5/16-18 GR5
10	725-3167	1	S	Switch, Seat, N/O
11	732-0735	2	/P	Spring, Compression
12	735-04039	2		Cap, Spring
13	736-0343	2	/P	Washer, Flat, .33 x 1.25 x .12
14	738-0140	4	S	Screw, Shoulder, .435 x .178:5/16-18
15	750-0258	2	/P	Spacer, .315 x .75 x .375
16	750-04247	4		Spacer, .505 x .88 x .44
17	757-04005	1	S	Seat, High Back
	777D06883	1	/P	Graphic, Cub Cadet
	777D01782	1	/P	Graphic, USA
18	757-3013	1		Belt Assembly, Seat



Ref #	Part Number	Qty	S/P/F	Description
1	KH-M-0841080	1	S	Nut, Hex Flange M8 x 1.25"
2	KH-M-839080	2	S	Screw, Hex Flange M8 x 1.25 x 80
3	KH-25-098-09-S	1	S	Starter, Solenoid Shift Assembly (Includes 4-8)
4	KH-25-435-05-S	1	S	Kit, Solenoid (Includes 8)
5	KH-25-755-33-S	1		Kit, Pinion Drive (Includes 7)
6	KH-25-221-01-S	1		Kit, Brush
7	KH-25-141-05-S	1		Ring, Retainer
8	KH-25-086-113-S	3		Screw, External Torx Hd.

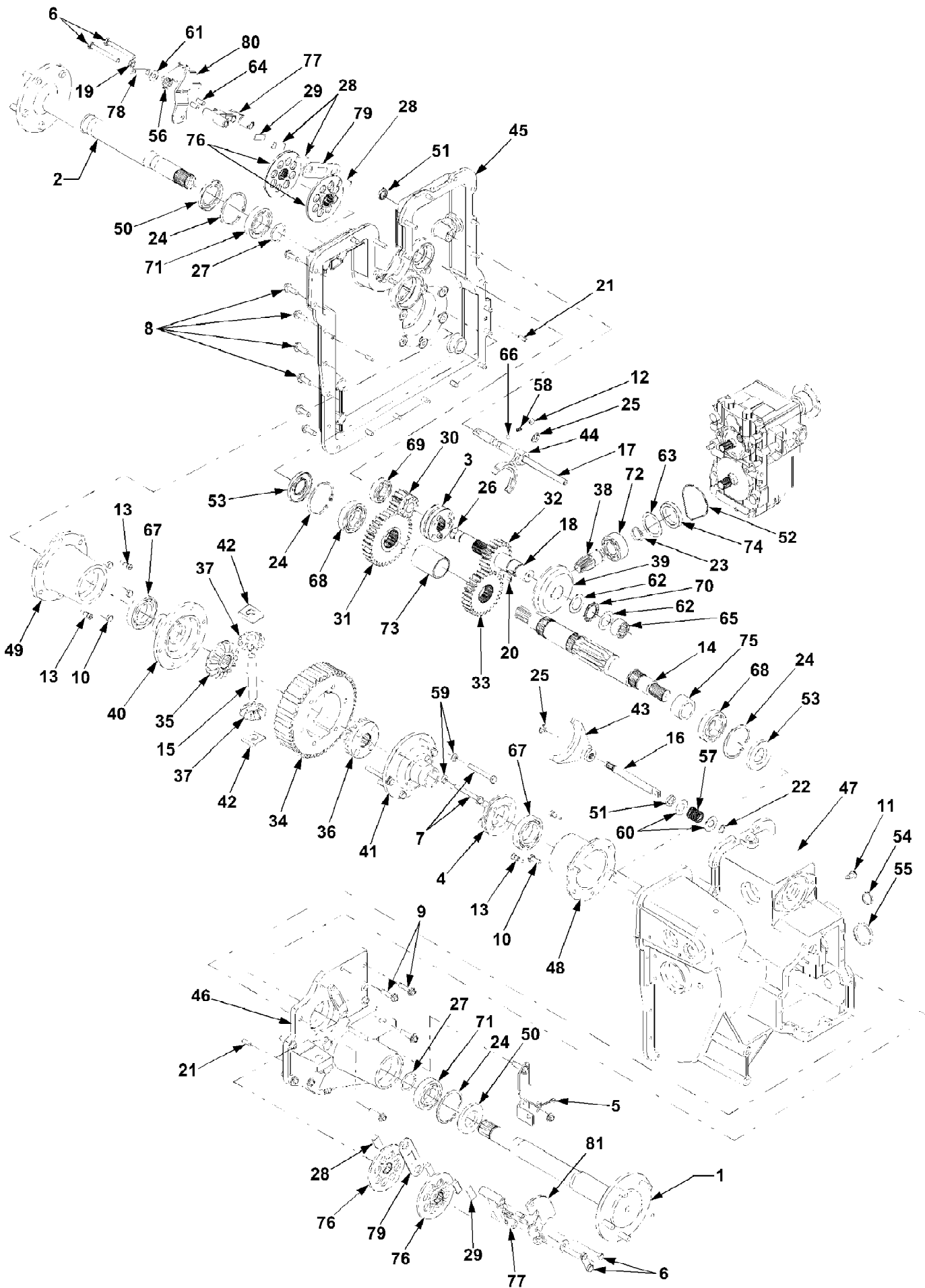


Ref #	Part Number	Qty	S/P/F	Description
1	603-04062-0637	1	/P	Plate, Cylinder Mounting
2	603-0964	1	S	Link Assembly, Upper
3	603-0965	2	S	Link, Lower
4	603-0970	1	S	Link, Fixed Lift
5	603-0971-0637	1	/P	Bracket Assembly, Rear Hitch
6	603-0972-0637	1	/P	Plate, Cylinder Mounting
7	603-0973	1	S	Link, Adjustable Lift
	603-0968	1	S	Link Rod RH Thrd.
	603-0969	1	S	Link Rod LH Thrd.
	711-1744	1		Turnbuckle
	712-04051	1		Jam Nut, M20 x 2.5 RH
8	603-0977	1		Chain Assembly, Check
	603-0974	1	S	Chain Link RH Thrd.
	603-0975	1	S	Chain Link Lh Thrd.
	603-0976	1	S	Chain Rod, Adjust.
9	619-3095	1	S	Arm, Hitch Lift - LH
10	619-3096	1	S	Arm, Hitch Lift - RH
11	703-4137-0637	1	/P	Shield, PTO Shaft
12	703-4143-0637	1	/P	Bracket, Chain Mounting
13	710-04186	4	/P	Screw, Hex Cap Lock, 1/2-13 x 1.25 GR5
14	710-0514	11	/P	Screw, Hex Cap, 3/8-16 x 1.0 GR5
15	710-0599	3	/P	Screw, Hex Wash. Hd. Tapp 1/4-20 x .5
16	710-3168	4	/P	Screw, Carriage, 3/8-16 x 1.0
17	710-3296	1		Screw, Hex Cap, 1/4-20 x .75 GR5
18	711-0469	1		Spacer, .75 x 1.25 x .5
19	711-0599	4	S	Pin, Clevis, .372 x 1.79
20	711-1105	4	/P	Pin, Klik
21	711-1733	1		Pin, Clevis, 19mm x 84mm
22	711-1743	2	S	Pin, Hitch, .75 OD
23	711-1750	1	S	Shaft, Hitch Rock
24	711-1753	2	S	Clevis, Chain
25	711-1761	2	S	Pin, Clevis, .75 x 1.938
26	712-0301	2	/P	Nut, Hex Jam, 3/4-10 GR5
27	712-0431	13	S	Nut, Hex Flange Lock, 3/8-16 GRF
28	714-0117	1	/P	Pin, Internal Cotter
29	714-0142	2	/P	Pin, Cotter, 3/16 x 1.5
30	714-0149B	4	S	Pin, Internal Cotter
31	715-0121	2	/P	Pin, Spirol, 1/4 x 2.0
32	716-04004	2	S	Ring, Retaining
33	717-3532	1	S	Cylinder, Lift
34	736-0255	1	S	Washer, Belleville, .51 x 1.14 x .04
35	736-0315	2	/P	Washer, Flat, .76 x 1.5 x .12
36	736-0364	2	S	Washer, Lock, 3/4
37	737-3000	1	S	Fitting, Lube, 3/16 Drive
38	738-0143	1	/P	Screw, Shoulder, 3/8-16
39	741-04084	2	S	Bearing, Sleeve, 1.25 x 1.50 x 1.25
40	747-04122	1	S	Rod, Top Link Hanger



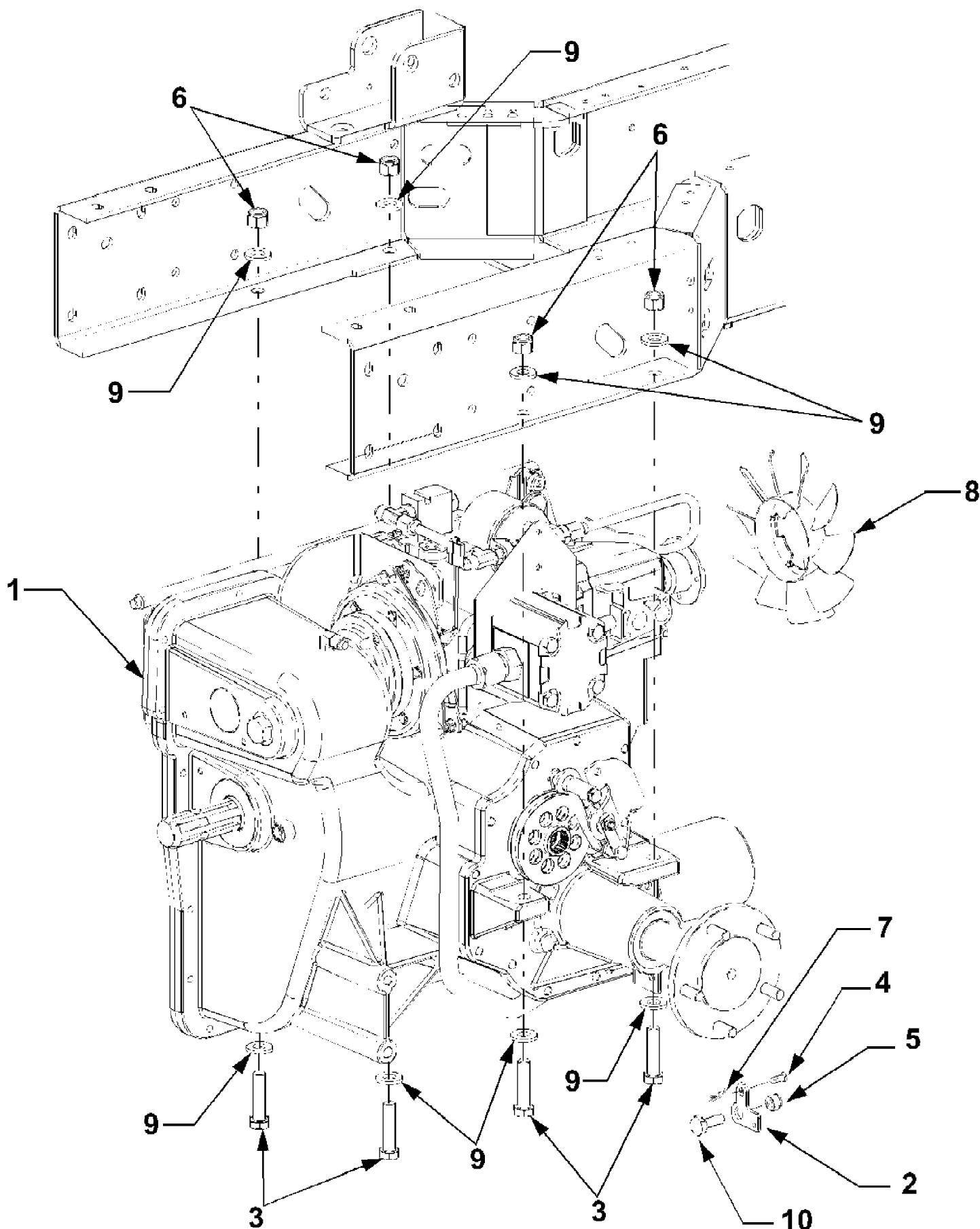
Ref #	Part Number	Qty	S/P/F	Description
	NLA	1		Transmission Ass'y. Service
	737-3120	1	/P	Transmission Oil, 1 Qt. 5 gal
	737-3121	1	/P	Transmission Oil, 1 Gal.
	759-3958	A/R		Sealant, Loctite (R) Black, 5.3 oz.
1	603-0980	1	S	Arm, Hydro
2	703-05027	1	S	Bracket, Return
3	703-05035	1	S	Bracket, Filter Mounting
4	703-05041	1		Arm, Neutral - RH
5	703-05042	1		Arm, Neutral - LH
6	703-05050	1	S	Bracket, Clutch Torque
7	710-0189	2	/P	Screw, Hex Cap, 5/16-18 x 3.0 GR5
8	710-0751	2	/P	Screw, Hex Cap, 1/4-20 x .62 GR5
9	710-0817	2		Screw, Hex Wash. Hd. Tapp, 5/16-18 x 1.25 GR5
10	710-1695	2		Screw, Socket Hd. 3/8-16 x 1.0
11	710-1882	3		Screw, Hex Flange, 5/16-18 x 1.5 GR5
12	710-3226	2		Screw, Hex Cap Lock, 5/16-18 x 5.5 GR5
13	710-3242	1		Screw, Set - Lock 5/16 x .5 GR5
14	710-04040	1	/P	Screw, Shoulder, .497 x .750: 3/8-16
15	712-0200A	1	/P	Nut, Hex Patch Lock, 1/2-20
16	712-3004A	4	/P	Nut, Hex Flange Lock, 5/16-18 GR5
17	712-3005	1	S	Nut, Hex Flange Lock, 3/8-16
18	716-0111	1	/P	Ring, Retaining
19	717-3543	1	S	Pump, Hydrostatic Transmission
20	717-04114	1	S	Gear, Bevel, 35T
21	718-3153	1	S	Pump, Auxiliary Hydraulic
22	718-04001	1	S	Valve, Check
23	721-04002	1	S	O-Ring, 2.425 ID x .103
24	723-3071	1		Filter, Oil - Hydraulic System
25	726-0205	1	/P	Clamp, Hose
26	727-3002	1	S	Fitting, Straight
27	727-3012	1	/P	Fitting, 90 Degree
28	727-04007	1	S	Tube, Hydro Inlet
29	727-04021	1	S	Tube, Filter Inlet
30	727-04054	1	S	Tube, Aux. Pump Inlet
31	731-3371	1		Fan, Transmission Cooling
32	732-3119	1	S	Spring, Extension, .50 x 1.975 x .072
33	736-0119	4	S	Washer, Lock, 5/16
34	736-0242	1	/P	Washer, Bell., .34 x .872 x .06
35	736-0253	1	S	Washer, Belleville
36	736-0329	2	S	Washer, Lock, 1/4
37	736-0355	1	/P	Washer, Flat, .56 x 1.0 x .04
38	736-0864	1	S	Washer, Thrust, .375 x .812 x .06
39	737-0296	1	/P	Vent, 3/8 Dia
40	737-0299	1		Fitting, Elbow
41	737-0336	1	/P	Fitting, Hyd. Adapter w/O-ring
42	737-0337	1		Fitting, Hyd. Adapter w/O-ring
43	737-0349	1		Fitting, Plug
44	737-3105	1		Fitting, Filter Nipple
45	737-04011	1	S	Adapter, Oil Filter
46	737-04016	1	S	Fitting, Branch Tee
47	737-04020	1	S	Fitting, Adapter

Ref #	Part Number	Qty	S/P/F	Description
48	737-04026	1	S	Fitting, Run Tee
49	737-04032	1	S	Indicator, Oil Level Sight
50	737-04035	1	S	Fitting, Elbow
51	737-04047	1	S	Fitting, Elbow
52	738-0754	1		Screw, Shoulder, .437 x .54
53	741-3037	1	S	Bearing, Ball
54	748-3093	1		Adapter, Hydro Pump
55	751-3130	1		Hose, Vent
56	BS-492932S	1	/P	Filter, Hydro Pump

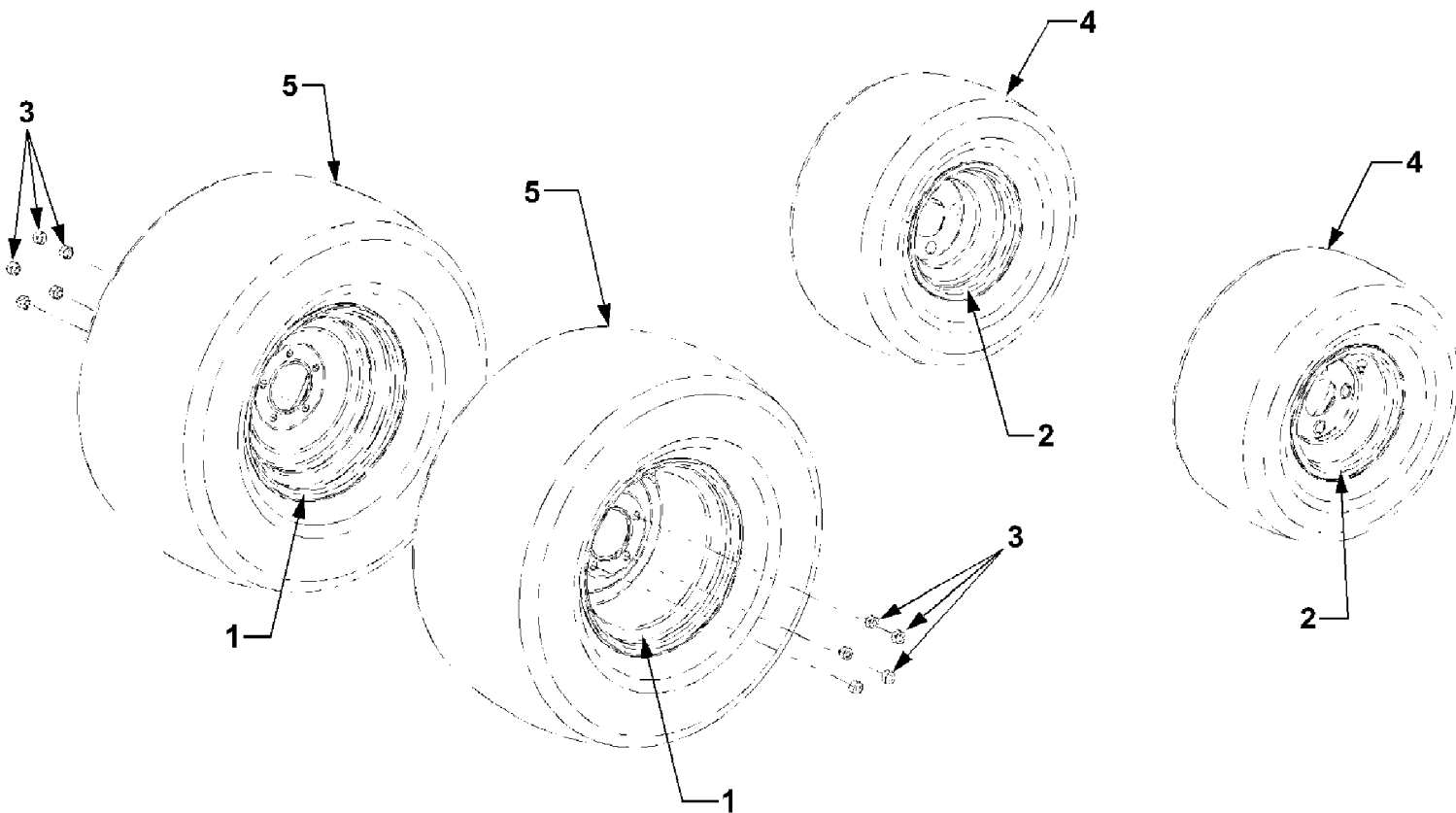


Ref #	Part Number	Qty	S/P/F	Description
1	611-3033	1	S	Shaft, Axle RH
2	611-3034	1	S	Shaft, Axle LH
3	618-0226	1		Collar Assembly, Hi-Lo
4	618-3183	1	S	Collar Assembly, Diff Lock
5	703-05045	1	S	Bracket, Diff. Lock
6	710-0176	4	/P	Screw, Hex Cap, 5/16-18 x 2.75 GR5
7	710-0378	6	/P	Screw, Hex Cap, 5/16-18 x 2.5 GR5
8	710-0602	21	/P	Screw, Hex Wash. Hd. Tapp, 5/16-18 x 1.0
9	710-0817	12		Screw, Hex Wash. Hd. Tapp, 5/16-18 x 1.25
10	710-1880	8	/P	Screw, Hex Cap, w/Patch 5/16-18 x .75GR5
11	710-1633	1		Screw, Plug, M14 x 1.5 x .827
12	710-3006	1	/P	Screw, Set, 5/16-18 x .375
13	710-04035	4	/P	Screw, Shoulder .309 x .375: 1/4-20
14	711-1675	1	S	Shaft, Output, 11T
15	711-1676	1	S	Shaft, Cross, .625 x 3.95
16	711-1677	1	S	Shaft, Diff. Lock Actuator
17	711-1688	1	S	Shaft, Hi-Lo Actuator
18	711-04137	1	S	Shaft, Drive
19	712-0273	2	S	Nut, Hex Insert Lock, 5/16-24
20	714-0135	1	S	Key, Woodruff, 1/4 x 3/4
21	715-3010	4	/P	Pin, Dowel, .25 x .75
22	716-0114	1	S	Ring, Retaining
23	716-0127	1	/P	Ring, Snap
24	716-0180	4		Ring, Retaining
25	716-0396	2		Clip, Rotor
26	716-04005	1	S	Ring, Retaining
27	716-04030	2	S	Ring, Retaining
28	717-0678	6	S	Pad, Brake
29	717-0682	2	S	Plate, Brake Puck
30	717-3534	1	S	Gear, Spur, 12T
31	717-3535	1	S	Gear, Spur, 34T
32	717-3536	1	S	Gear, Spur, 19T
33	717-3537	1	S	Gear, Spur, 27T
34	717-3538	1	S	Gear, Spur, 56T
35	717-3541	1	S	Gear, Bevel, 16T
36	717-3542	1	S	Gear, Bevel, 16T Lock
37	717-3545	2	S	Gear, Bevel, 10T Diff.
38	717-04060	1	S	Gear, Spiral Bevel, 13T
39	717-04061	1	S	Gear, Spiral Bevel, 54T
40	718-3148	1	S	Cover, Differential
41	718-3149	1	S	Cover, Differential Lock
42	718-3150	2	S	Block, Thrust
43	718-3152	1	S	Actuator Arm, Diff. Lock
44	718-3154	1		Yoke, Shift, Hi-Lo
45	719-04001	1	S	Cover, Trans. Large
46	719-04002	1	S	Cover, Trans. Small
47	719-04003	1	S	Housing, Trans.
48	719-04004	1	S	Housing, Axle Inner - RH
49	719-04005	1	S	Housing, Axle Inner - LH
50	721-0381	2	S	Seal, Oil
51	721-0496	2		Seal, Oil
52	721-0519	1		Seal, Gland
53	721-3020A	2	S	Seal, Oil

Ref #	Part Number	Qty	S/P/F	Description
54	721-04019	1	S	Plug, Oil
55	721-04020	1	S	Plug, Oil
56	732-04003	2	S	Spring, Torsion
57	732-04010	1	S	Spring, Compression, .845 x 1.0
58	732-04101	1	S	Spring, Compression, .24 x .563
59	736-0119	6	S	Washer, Lock, 5/16
60	736-0355	2	/P	Washer, Flat, .56 x 1.0 x .04
61	736-0371	2	/P	Washer, Flat, .343 x .88 x .062
62	736-0615	2		Washer, Thrust
63	736-0266	A/R	S	Washer, Flat, 1.52 x 2.0 x .030
	736-04095	A/R	S	Washer, Flat, 1.52 x 2.0 x .005
	736-04096	A/R	S	Washer, Flat, 1.52 x 2.0 x .015
64	741-0343	4	S	Pin, Brake Actuating
65	741-0363	1	S	Bearing, Needle
66	741-0862	1	/P	Ball, Detent
67	741-1104	2	/P	Bearing, Ball
68	741-3033A	2	S	Bearing, Ball
69	741-3057	1	S	Bearing, Ball
70	741-3083	1		Bearing, Needle Thrust
71	741-04014	2	S	Bearing, Ball
72	741-04066	1	S	Bearing, Ball
73	750-3364	1	S	Spacer, 1.51 x 1.75 x 2.41
74	750-04024	1	S	Spacer, 1.515 x 2.039 x .335
75	750-04088	1	S	Spacer, 1.26 x 1.625 x .853
76	761-0215	4		Disc, Brake
77	761-04000	2	S	Yoke, Brake
78	761-04001	2	S	Bracket, Brake Anti Rotation
79	761-04002	2	S	Plate, Puck Retainer
80	761-04003	1	S	Arm, Brake Actuator - LH
81	761-04004A	1	S	Arm, Brake Actuator - RH



Ref #	Part Number	Qty	S/P/F	Description
1	N/A	1		Transmission Assembly
2	703-05051	1		Link, Diff Lock Actuator
3	710-3071	4		Screw, Hex Cap 1/2-13 x 2.0 GR8
4	711-0701	1	S	Pin, Clevis, .25 x .50
5	712-3061	1	S	Nut, Hex Insert Lock, 3/8-24
6	712-3083	4	/P	Nut, Hex Insert Lock, 1/2-13
7	714-0104	1	S	Pin, Internal Cotter
8	731-3371	1		Fan, Transmission Cooling
9	736-3019	8		Washer, Flat, .531 x .1062 x .134
10	738-0689	1	S	Screw, Shoulder, 1/2 Dia. x .180



Ref #	Part Number	Qty	S/P/F	Description
1	634-04004	2		Rim Assembly
	734-0255	2	S	Valve Stem
2	634-04093	2		Rim Assembly
	734-0255	2	S	Valve Stem
3	712-3050	10	/P	Nut, Lug, 7/16-14
4	734-04002	2	S	Tire, Turf, 18 x 8.5 x 8
5	734-04080	2		Tire, Turf, 26 x 12.0 x 12