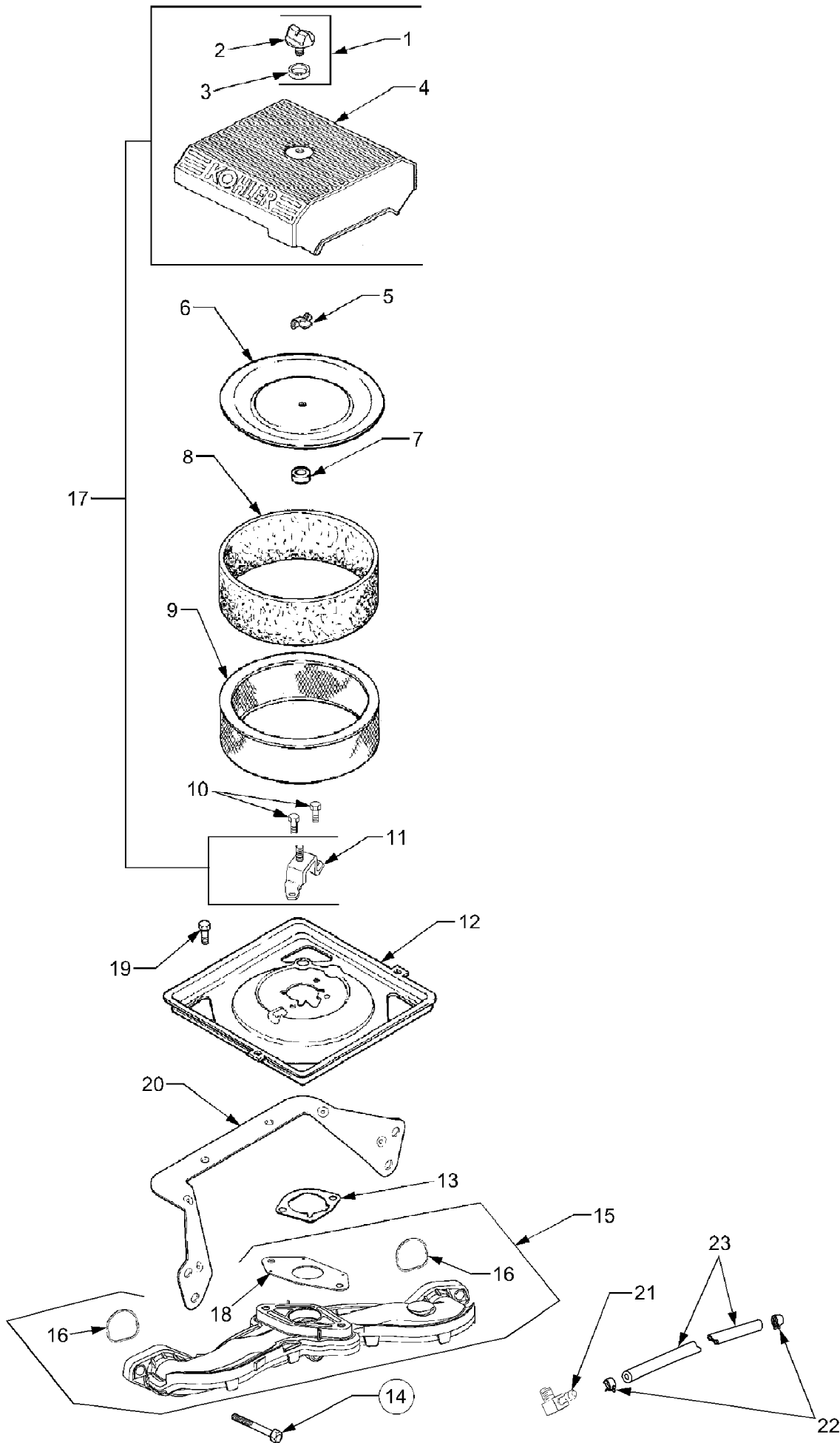


GT3235 Tractor  
Air Intake



GT3235 Tractor  
Air Intake

Page 2 of 2

Ref #	Part Number	Qty	S/P/F	Description
1	KH-54-755-01	1	S	Kit, Knob w/Seal (Incl. Ref #2,3)
2	KH-25-341-03	1	/P	Knob, Cover
3	KH-24-153-20-S	1		Seal, Air Cleaner Cover Knob
4	KH-24-096-69-S	1	/P	Cover, Air Cleaner
5	KH-12-100-01	1	/P	Wing Nut
6	KH-24-096-01	1	/P	Cover, Inner Air Cleaner
7	KH-24-032-03	1	/P	Seal, Inner Air Cleaner
8	KH-24-083-02	1	S	Precleaner, Element
9	KH-47-083-03	1	S	Element, Air Cleaner
10	KH-M-0639016	3	S	Screw, Hex Flange, M6 x 1.0 x 16
11	KH-24-126-21	1		Bracket, Air Cleaner Base
12	KH-24-094-24-S	1	S	Base, Air Cleaner
13	KH-24-041-06	1	/P	Gasket, Air Cleaner Base
14	KH-M-0651040-S	4		Screw, Hex Flange, M6 x 1.0 x 40
15	KH-24-164-55-S	1	S	Manifold, Intake (Includes Carb Gasket KH-24-041-53-S and (2) O-Rings KH-24-153-27-S)
16	KH-24-153-27-S	2	/P	O-Ring, Intake Manifold
17	KH-24-743-08	1		Kit, Air Cleaner Cover (Incl 1-4, 11)
18	KH-24-041-53-S	1		Gasket, Carburetor
19	KH-M-0545010	2	/P	Screw, Hex Flng, M5 x 0.8 x 10
20	KH-24-126-130-S	1		Bracket, Air Cleaner Base
21	KH-25-155-02	1	/P	Connector, Hose 90°.
22	KH-25-237-14-S	2	/P	Clamp, Hose
23	KH-15-353-02	1	S	Line, Fuel 17"
	KH-25-454-04-S	2		Tie, Wire