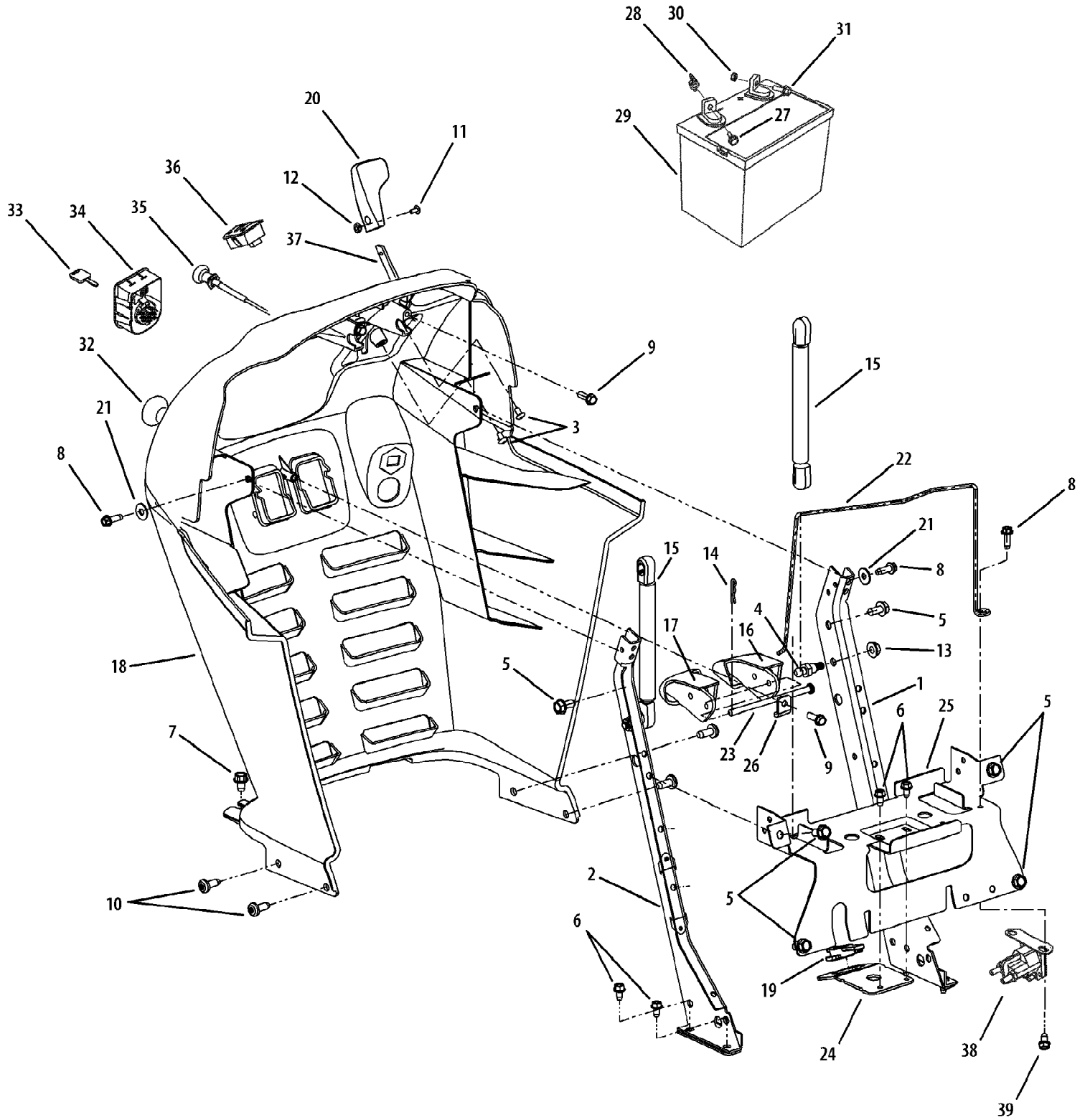


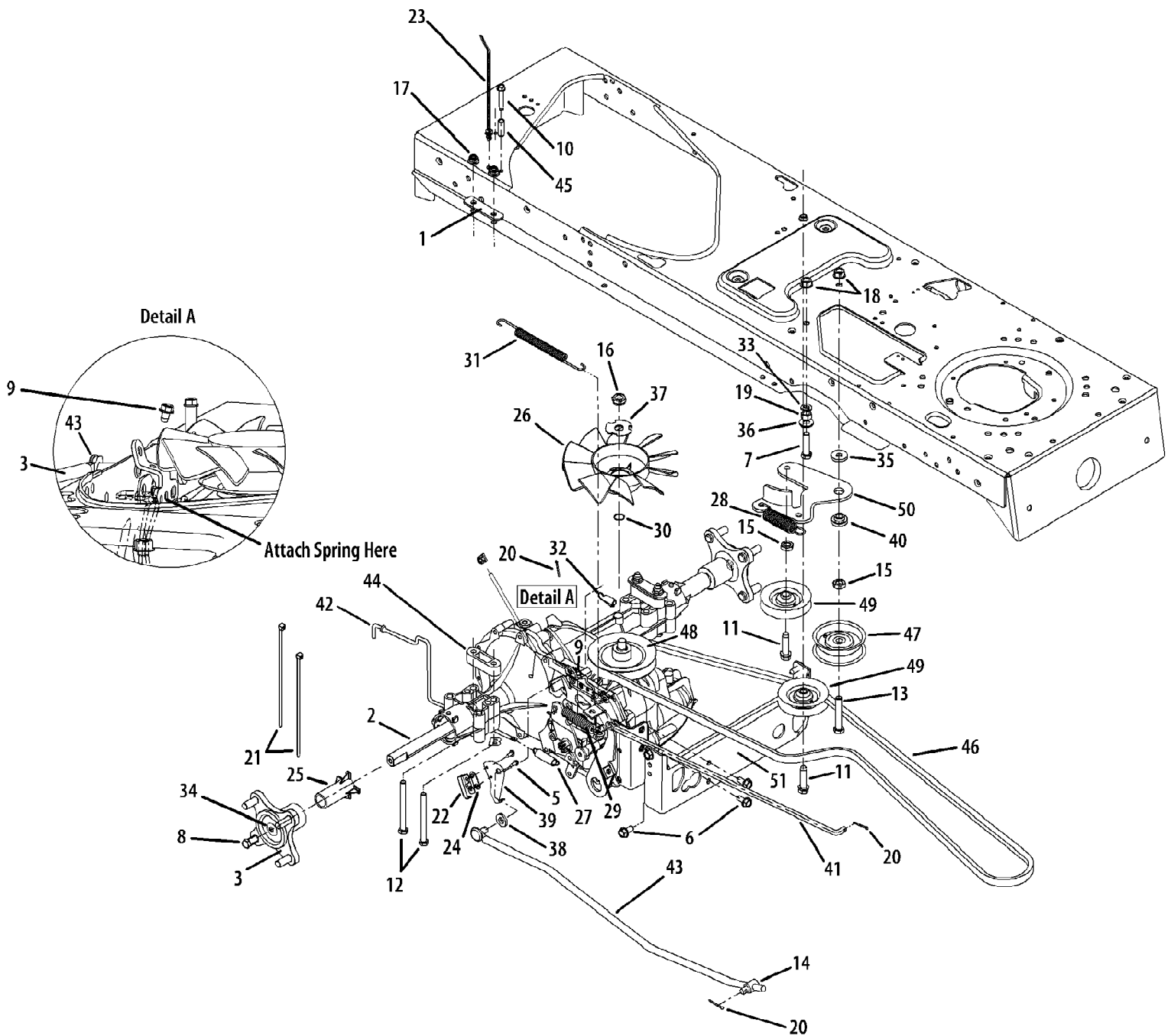
SLT1554 Tractor Courage Engine (2008 & after)
Adjustable Seat

Page 2 of 53

| Ref # | Part Number | Qty | S/P/F | Description |
|-------|-------------|-----|-------|--------------------------------------|
| 1 | 710-1268 | 1 | /P | Screw, #10-16, 0.375 |
| 2 | 712-04063 | 1 | /P | Nut, Nylon Lock, 5/16-18, Gr5 |
| 3 | 712-04064 | 1 | /P | Nut, Nylon Lock, 1/4-20 GrF |
| 4 | 720-0309A | 1 | /P | Grip, Seat, Adjustment |
| 5 | 726-0201 | 1 | | Nut, Speed, .3125 ID |
| 6 | 731-04074 | 1 | | Spacer, Seat, Adjustment |
| 7 | 732-0499 | 1 | | Spring, Compression .41 x 1.50 |
| 8 | 732-1184 | 1 | /P | Spring, Extension, .80 Dia x 4.6 |
| 9 | 736-0204 | 1 | /P | Washer, Flat, .344 x .620 x .033 |
| 10 | 736-0242 | 1 | /P | Washer, Flat, .340 x .872 x .060 |
| 11 | 736-3019 | 1 | | Washer, Flat, .531 x 1.062 x .134 |
| 12 | 738-0137A | 1 | S | Screw, Shlder, .340 x .285, 1/4-20 |
| 13 | 738-0296 | 1 | S | Shoulder, Screw .437 x .286 Lg |
| 14 | 738-0966A | 1 | /P | Screw, Shoulder, .50 x.925, 3/8-16 |
| 15 | 783-0209D | 1 | /P | LH Bracket, Seat Lift |
| 16 | 783-0611 | 1 | | Stop, Seat, Adjustment |
| 17 | 783-0738D | 1 | /P | Bracket, Seat Pivot |
| 18 | 783-0739A | 1 | S | Lever, Seat, Adjustment |
| 19 | 783-0753 | 1 | | Selector, Seat, Adjustment |
| 20 | 757-04058 | 1 | | Seat, Cub Cadet, High Back |
| 21 | 757-04073 | 1 | | Arm Rest Kit (incl. screws, RH & LH) |
| 22 | 710-0227 | 1 | /P | Screw, #8-18 x .50 |
| 23 | 726-0279 | 1 | | Plate, Insulator |
| 24 | 725-1303 | 1 | S | Spring Switch, Outer |
| 25 | 725-1439 | 1 | | Spring Switch, Inner |
| 26 | 726-0278 | 1 | | Plate, Insulator Boss |

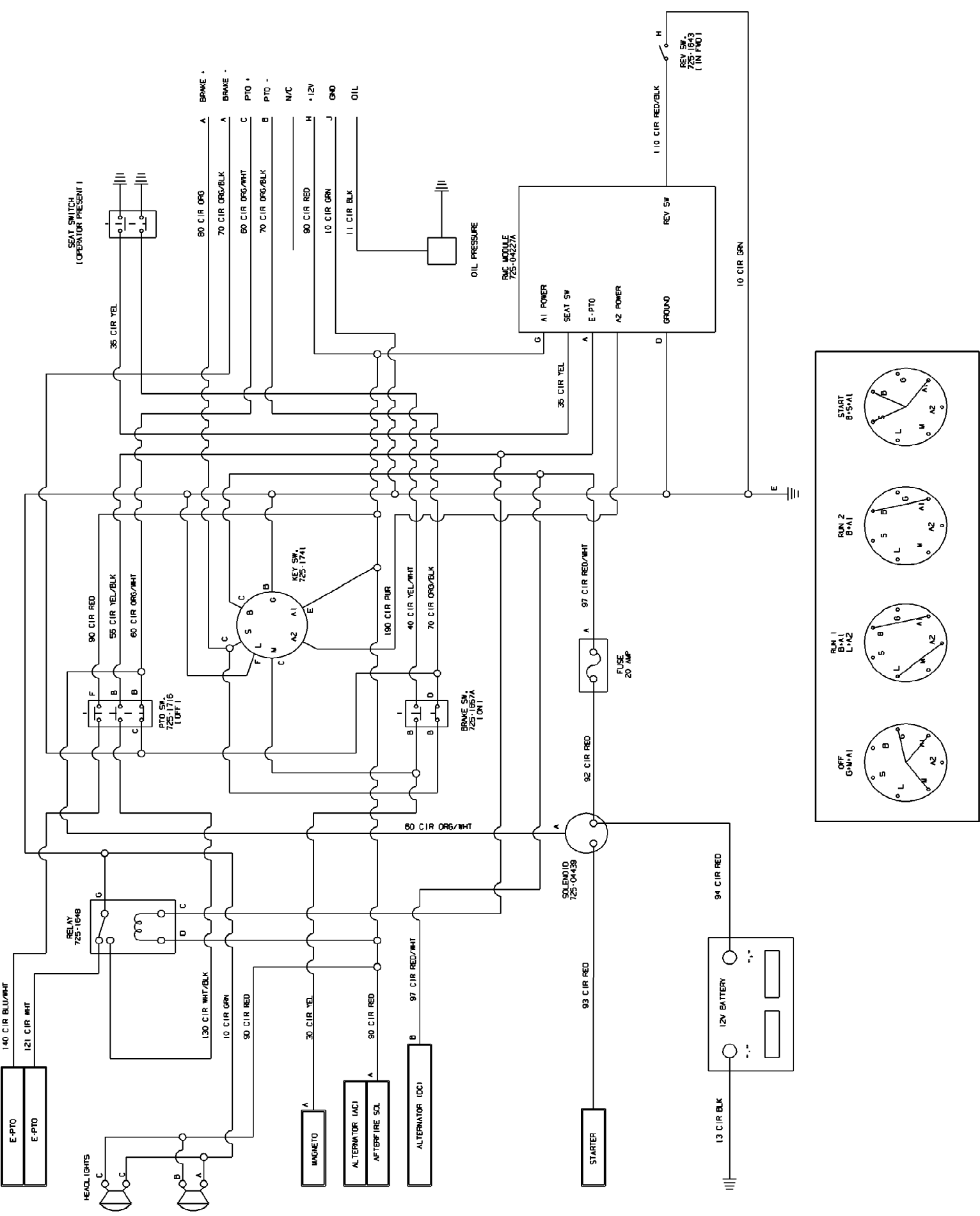


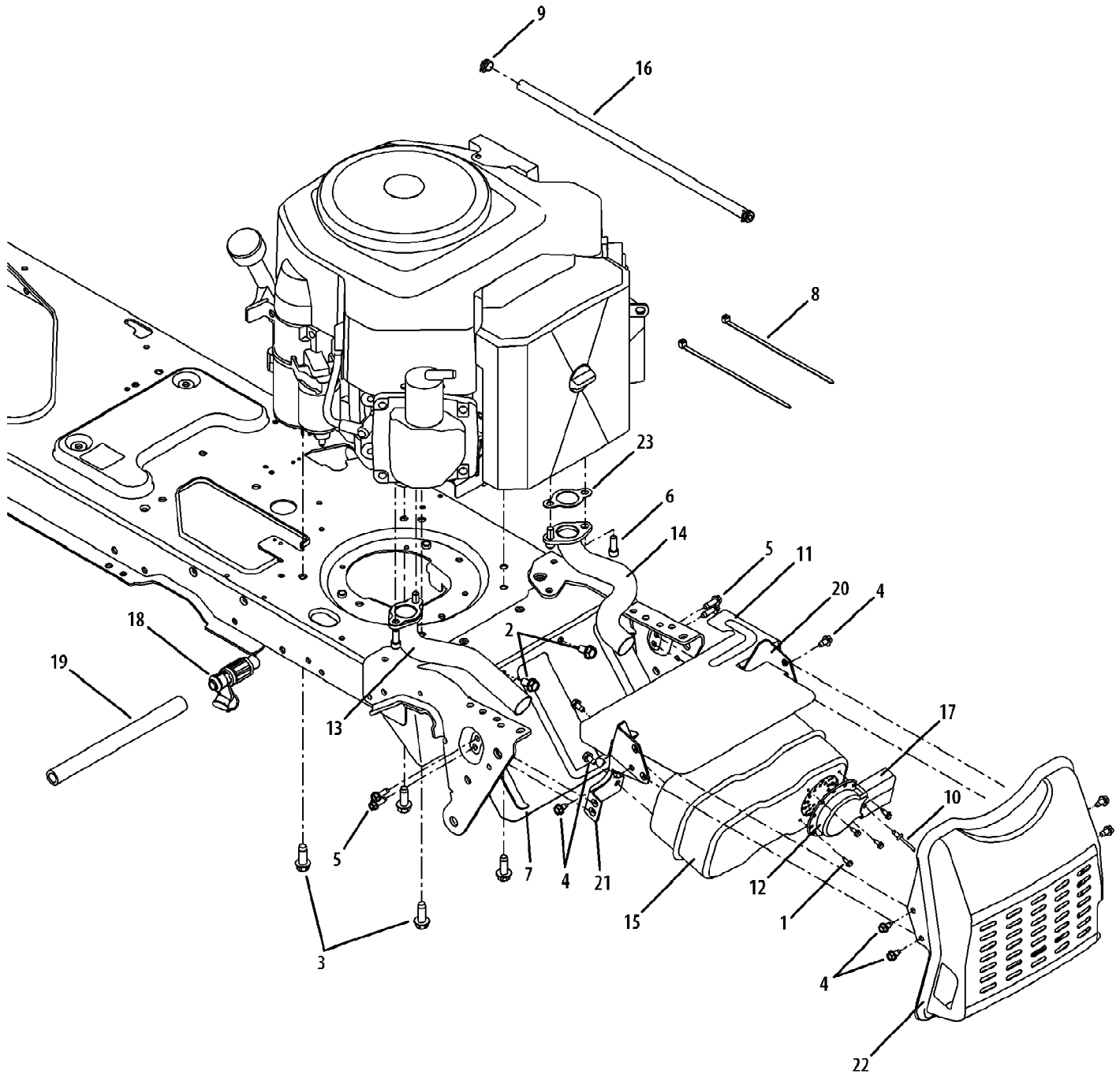
| Ref # | Part Number | Qty | S/P/F | Description |
|-------|-------------|-----|-------|--------------------------------------|
| 1 | 683-04231 | 1 | S | Dash Support, LH |
| 2 | 683-04232 | 1 | S | Dash Support, RH |
| 3 | 710-0192 | 1 | /P | Screw, #10-24 x .375 |
| 4 | 710-04471 | 1 | | Screw, Shoulder Ball, 5/16-18 x .48 |
| 5 | 710-04484 | 1 | | Screw, Hex, 5/16-18 x .750 |
| 6 | 710-0599 | 1 | /P | Screw, Self-tapping, 1/4-20, 0.500 |
| 7 | 710-0607 | 1 | /P | Screw, Hex, 5/16-18 x .500 |
| 8 | 710-0642 | 1 | /P | Screw, 1/4-20, .750 |
| 9 | 710-0895 | 1 | | Screw, 1/4-15, 0.750 |
| 10 | 710-1611B | 1 | /P | Screw, Torx Hd. Tapp. 5/16-18 x .75 |
| 11 | 710-3217 | 1 | /P | Screw, Machine, #8-32, 0.375 |
| 12 | 712-0142 | 1 | /P | Nut, 8-32 |
| 13 | 712-3004A | 1 | /P | Nut, Flangelock, 5/16-18 |
| 14 | 714-0104 | 1 | S | Internal Cotter Pin, .072 x 1.13 |
| 15 | 727-04142 | 1 | | Gas Spring Cylinder |
| 16 | 731-04293A | 1 | /P | Lever, Dash, Brake |
| 17 | 731-04294A | 1 | | Lever, Dash, Cruise |
| 18 | 731-05077C | 1 | /P | Cub 1500 Dash |
| 19 | 731-05659 | 1 | | Steering Column Bearing |
| 20 | 731-3161A | 1 | S | Knob, Throttle Control |
| 21 | 736-0173 | 1 | /P | Washer, Flat, .28 x .74 x .063 |
| 22 | 747-04215 | 1 | S | Hold-down Rod, Battery |
| 23 | 747-1323A | 1 | | Rod, .250 Dia x 4.25 Lg. |
| 24 | 783-05240A | 1 | | Bracket, Steering Support |
| 25 | 783-05469 | 1 | | Bracket, Support, Battery |
| 26 | 783-1499 | 1 | S | Bracket, Rod, Dash |
| 27 | 738-1132 | 1 | | Shoulder Screw, .250 x .150, 1/4-20 |
| 28 | 712-3087 | 1 | /P | Wing Nut, 1/4-20 |
| 29 | 725-1750A | 1 | S | Battery, 235 CCA |
| 30 | 712-0271 | 1 | /P | Nut, Sems, 1/4-20 |
| 31 | 710-04666 | 1 | | Screw, Flange, 1/4-20, .75, |
| 32 | 725-04175 | 1 | S | Switch, PTO, Yellow |
| 33 | 725-2054A | 1 | S | Ignition Key, Plastic |
| 33 | 725-1744A | 1 | S | Ignition Key, Metal |
| 34 | 725-04227B | 1 | S | Switch Module, Ignition |
| 35 | 746-04120 | 1 | | Choke, 40.5 x 2.0 |
| 36 | 725-04022B | 1 | S | Monitor, Sys. Indicator / Hour Meter |
| 37 | 746-04352 | 1 | | Throttle, 38.0 x 1.62 |
| 38 | 725-04439 | 1 | | Solenoid, 12V, 100 Amp |
| 39 | 710-0642 | 1 | /P | Screw, 1/4-20 |
| | 725-04405A | 1 | S | Wire Harness Not Shown |
| | 725-2003 | 1 | | 12V Power Receptacle Not Shown |



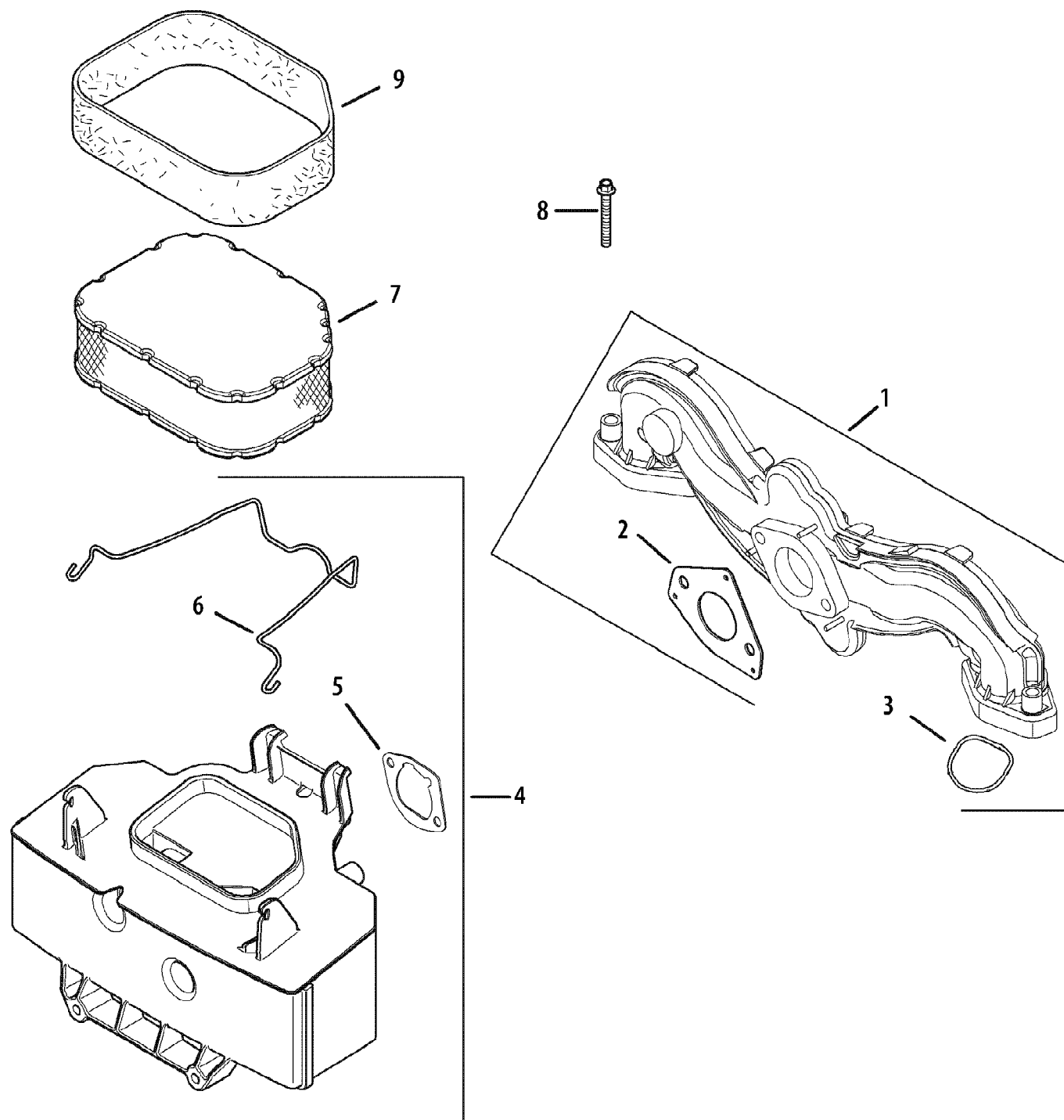
| Ref # | Part Number | Qty | S/P/F | Description |
|-------|-------------|-----|-------|---------------------------------------|
| 1 | 17840 | 1 | S | Bracket, Mounting, Transaxle |
| 2 | 618-04270B | 1 | S | Transmission, Hydrostatic |
| 3 | 618-04228 | 1 | S | Hub Assembly, Wheel |
| 4 | 629-04124 | 1 | | Harness Assembly, Grnd. & Rev. |
| 5 | 710-0227 | 1 | /P | Screw, #8-18, 0.500 |
| 6 | 710-04484 | 1 | | Screw, 5/16-12, 0.75 |
| 7 | 710-0520 | 1 | /P | Hex Cap Screw, 3/8-16, 1.50, Gr5 |
| 8 | 710-0627 | 1 | /P | Hex Cap Screw, 5/16-24 x .750 |
| 9 | 710-0653 | 1 | /P | Screw, 1/4-20 x .375 |
| 10 | 710-0778 | 1 | /P | Hex Cap Screw, 1/4-20, 1.5, Gr5 |
| 11 | 710-1007 | 1 | /P | Screw, 3/8-16, x 1.50 |
| 12 | 710-1266 | 1 | /P | Hex Cap Screw, 5/16-18,3.5, Gr5 |
| 13 | 710-3011 | 1 | /P | Hex Cap Screw, 3/8-16, 2.25, Gr5 |
| 14 | 711-0832 | 1 | S | Ferrule, 3/8-24 x .375 Dia |
| 15 | 712-0240 | 1 | S | Nut, Jam, 7/16-20, Gr2 |
| 16 | 712-0346 | 1 | S | Nut, Jam Lock, 1/2-20, Gr5 |
| 17 | 712-04063 | 1 | /P | Nut, Hex Nylon Lock, 5/16-18 |
| 18 | 712-0431 | 1 | S | Nut, Flange Lock, 3/8-16 |
| 19 | 712-3017 | 1 | S | Nut, Hex, 3/8-16, Gr8 |
| 20 | 714-0111 | 1 | S | Pin, Cotter, 3/32, 1.0 |
| 21 | 725-0157 | 1 | /P | Cable, Tie, 3/16 x .05 x 7.4 |
| 22 | 725-1644 | 1 | | Switch, Spring, Short |
| 23 | 726-0154 | 1 | S | Tie, Cable, Push Mount 7.5 Lg |
| 24 | 726-0320 | 1 | S | Plate, Insulator Nut |
| 25 | 731-05300 | 1 | | Sleeve, 2.4" |
| 26 | 731-06098 | 1 | | Fan, Blade |
| 27 | 732-0209 | 1 | S | Spring, .48 OD x 2.03 Extension |
| 28 | 732-04323B | 1 | /P | Spring, Extension, .563 Dia x 3.72 Lg |
| 29 | 732-0716D | 1 | /P | Spring, Extension, .59 OD x 4.00 Lg |
| 30 | 732-0729 | 1 | /P | Ring, Wire |
| 31 | 732-0994 | 1 | | Spring, Extension, .500 Dia x 7.0 |
| 32 | 732-3118 | 1 | | Spring, Extension, 3/8 OD x 1.44 |
| 33 | 736-0169 | 1 | S | Washer, Lock, 3/8, Regular Duty |
| 34 | 736-0242 | 1 | /P | Bell Washer |
| 35 | 736-0258 | 1 | /P | Washer, Flat, .385 x 1.0 x .135 |
| 36 | 736-0300 | 1 | S | Washer, Flat, .406 x .875 x .059 |
| 37 | 736-04263 | 1 | | Washer, Lock, Hydro |
| 38 | 736-3010 | 1 | /P | Washer, Flat, .407 x .812 x .135 |
| 39 | 783-1019B | 1 | /P | Bracket, Actuator, Switch |
| 40 | 738-0372B | 1 | /P | Spacer, Shoulder, 1.00 x .38 x .38 |
| 41 | 747-04139 | 1 | | Rod, Brake, Hydro |
| 42 | 747-1149 | 1 | | Rod, Hydro Bypass |
| 43 | 747-1151 | 1 | | Rod, Control, Hydro |
| 44 | 748-0334 | 1 | S | Spacer, T-axle .68 |
| 45 | 750-0566A | 1 | /P | Spacer, 1" |
| 46 | 754-04165 | 1 | S | Belt, V Type, Poly |
| 47 | 756-04224 | 1 | /P | Pulley, Idler, Flat 2.75 OD |
| 48 | 756-04308 | 1 | | Pulley, Engine, 4.13 Dia. |
| 49 | 756-04325 | 1 | /P | Pulley, Idler, V Type x 3.06 Dia |
| 50 | 783-04442 | 1 | | Bracket Assembly, Idler, Center Dbl |
| 51 | 783-0810B | 1 | S | Bracket, Transmission, Torque |

SLT1554 Tractor Courage Engine (2008 & after)
Electrical Schematic

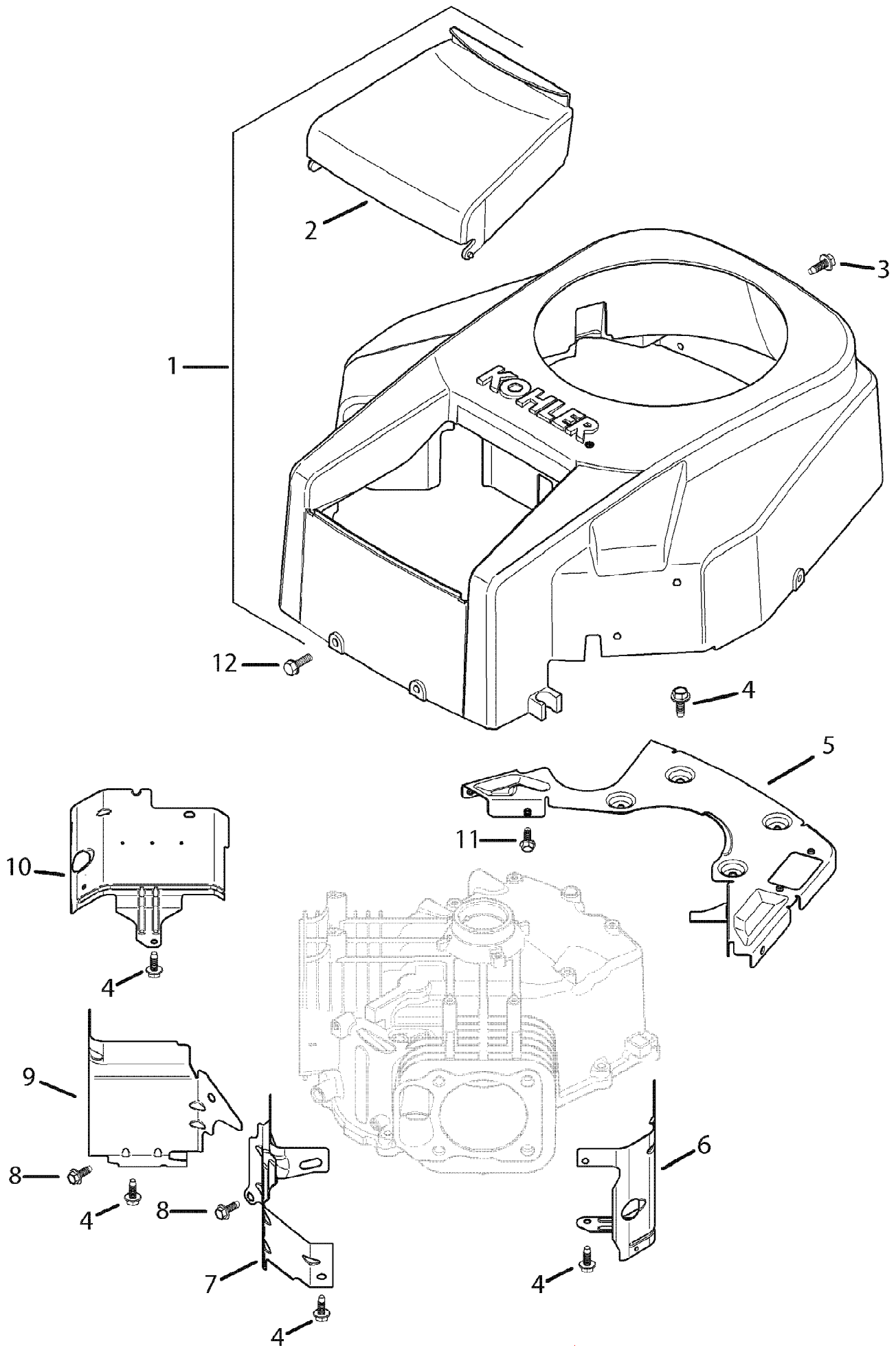




| Ref # | Part Number | Qty | S/P/F | Description |
|-------|----------------|-----|-------|------------------------------|
| 1 | 710-0227 | 1 | /P | Screw, #8-18, 0.500 |
| 2 | 710-04484 | 1 | | Screw, 5/16-18, 0.750 |
| 3 | 710-04683 | 1 | | Screw, Hex, 3/8-16 x 1.00 |
| 4 | 710-0599 | 1 | /P | Screw, Hex, 1/4-20, 0.500 |
| 5 | 710-0642 | 1 | /P | Screw, Hex, 1/4-20, 0.750 |
| 6 | 710-1314A | 1 | /P | Screw, 5/16-18, 0.75 |
| 7 | 783-05410 | 1 | | Muffler Heat Shield |
| 8 | 725-0157 | 1 | /P | Cable, Tie, 3/16 x .05 x 7.4 |
| 9 | 726-0205 | 1 | /P | Hose Clamp |
| 10 | 728-04000 | 1 | | Rivet, Pop, .188 x .325 |
| 11 | 783-04783A | 1 | /P | Heat Shield, Twin |
| 12 | 751-0564B | 1 | /P | Deflector, Muffler |
| 13 | 751-10006 | 1 | | Pipe, Exhaust, RH |
| 14 | 751-10007 | 1 | | Pipe, Exhaust, LH |
| 15 | 751-10161 | 1 | | Muffler, Dual Inlet |
| 16 | 751-10349 | 1 | | Fuel Line, Low Permeation |
| 17 | 751-10353 | 1 | | Extension, Deflector |
| 18 | 751-10517 | 1 | S | Drain, Oil |
| 19 | 751-3141 | 1 | S | Extension Hose, Oil Drain |
| 20 | 783-04573 | 1 | | Muffler Bracket, LH |
| 21 | 783-04574 | 1 | | Muffler Bracket, RH |
| 22 | 783-04576B | 1 | S | Shield, Muffler |
| 23 | KH-20-041-12-S | 1 | /P | Exhaust Gasket |

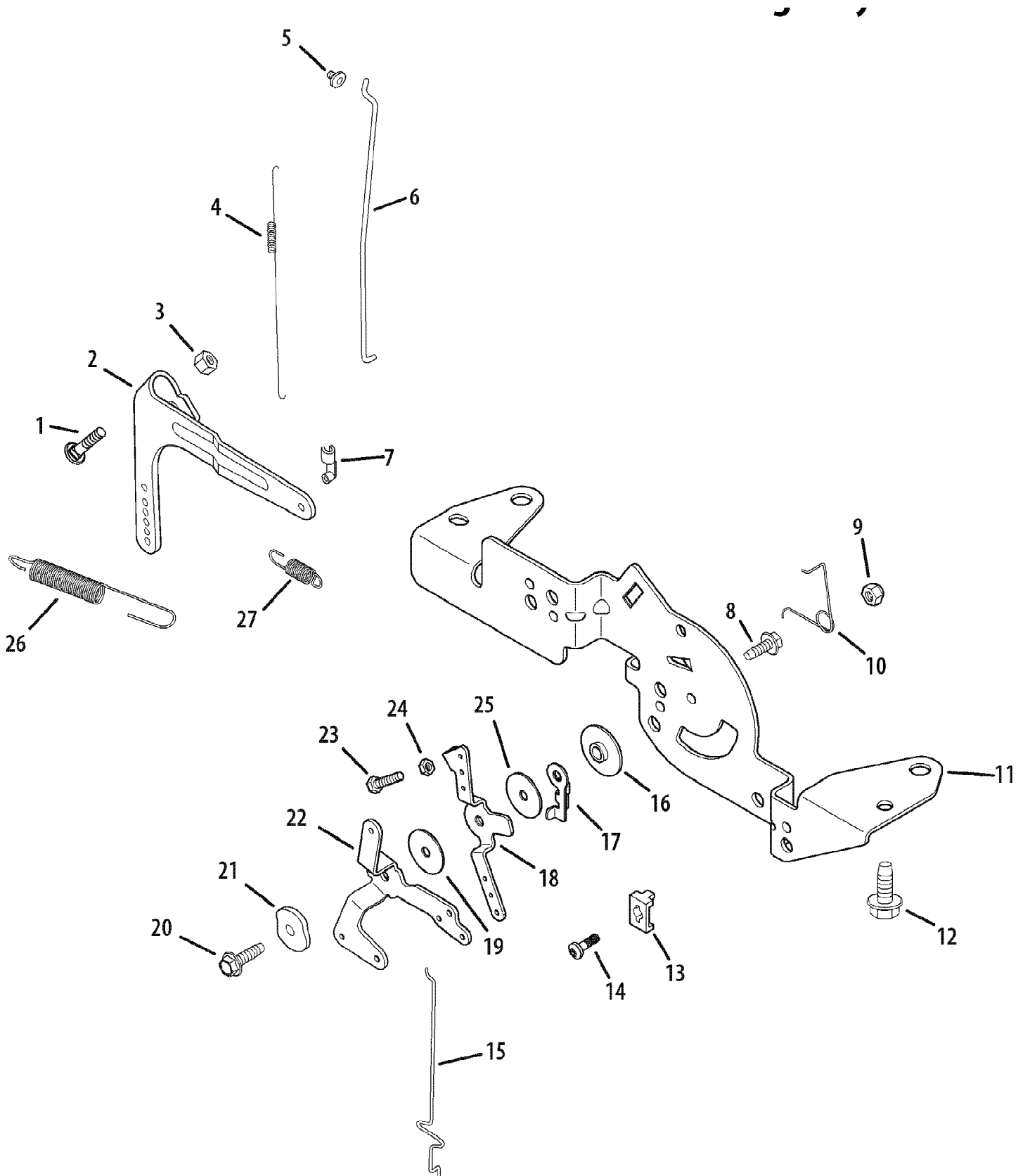


| Ref # | Part Number | Qty | S/P/F | Description |
|-------|----------------|-----|-------|----------------------------------|
| 1 | KH-24-164-91-S | 1 | /P | Manifold, intake (Includes 2,3) |
| 2 | KH-24-041-52-S | 1 | /P | Gasket, carburetor |
| 3 | KH-24-153-27-S | 1 | /P | O-Ring, intake port |
| 4 | KH-32-094-04-S | 1 | /P | Base, air cleaner (Includes 5,6) |
| 5 | KH-24-041-14 | 1 | /P | Gasket, air cleaner base |
| 6 | KH-32-344-02-S | 1 | | Latch, air cleaner element |
| 7 | KH-32-083-03-S | 1 | S | Element, air cleaner |
| 8 | KH-M-651040-S | 1 | | Screw, hex. flange M6x1.0x40 |
| 9 | KH-32-083-05-S | 1 | S | Pre-cleaner, element |

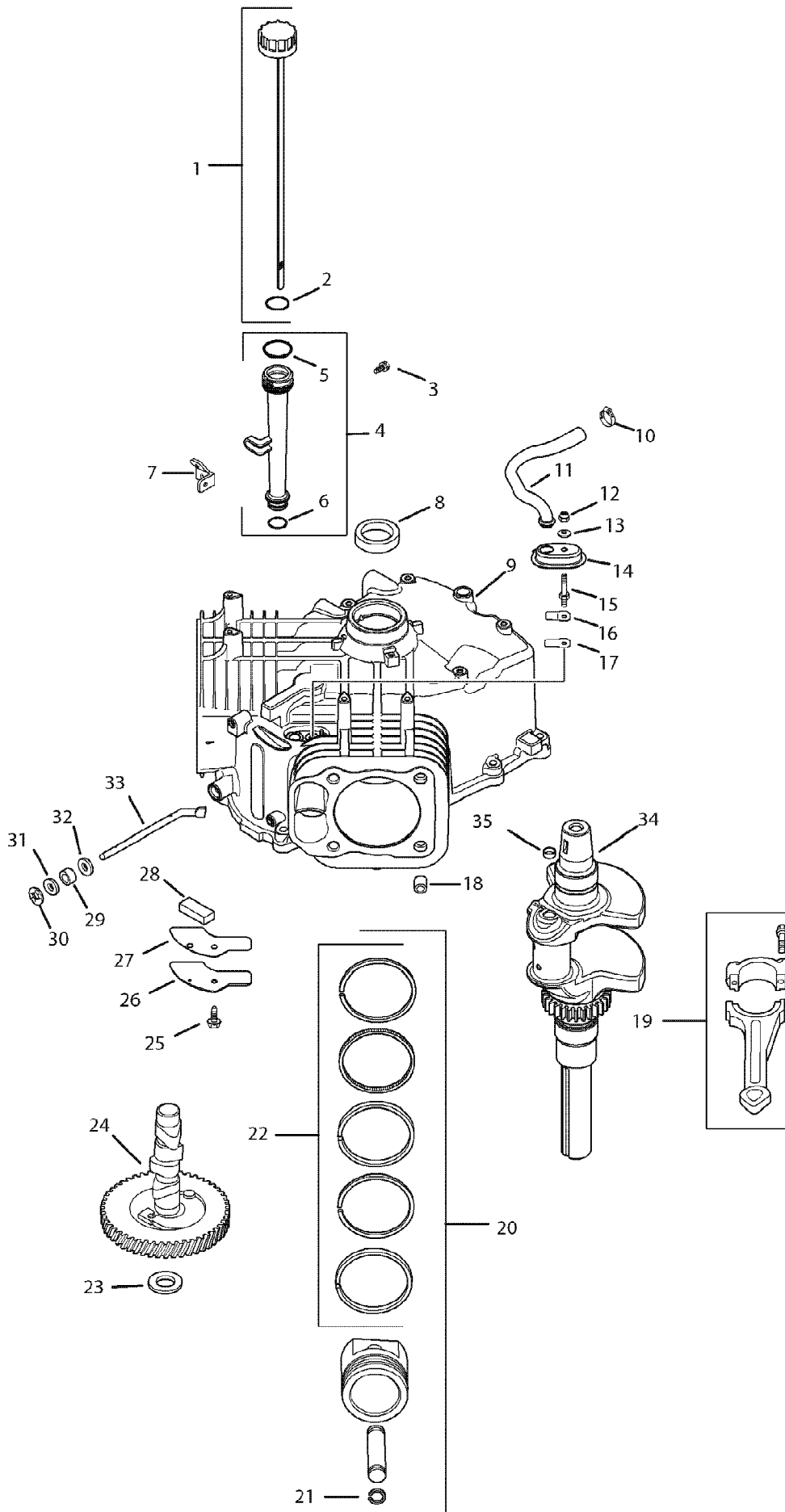


SLT1554 Tractor Courage Engine (2008 & after)
 Engine Blower Housing & Baffles SV730 & SV740

| Ref # | Part Number | Qty | S/P/F | Description |
|-------|----------------|-----|-------|--|
| 1 | KH-32-027-03-S | 1 | | Housing, blower (Includes 2, KH-41-037-10) |
| 2 | KH-32-096-08-S | 1 | | Cover, air cleaner |
| 3 | KH-M-545016-S | 1 | /P | Screw, hex. flange M5x0.8x16 |
| 4 | KH-M-645016-S | 1 | /P | Screw, hex. flange M6x1.0x16 |
| 5 | KH-32-146-05-S | 1 | | Plate, backing w/rectifier-regulator opening |
| 6 | KH-32-063-12-S | 1 | | Baffle, cylinder barrel - #2 side SV730-0011 |
| 6 | KH-32-063-07-S | 1 | | Baffle, cylinder barrel - #2 side SV740-0010 |
| 7 | KH-32-063-02-S | 1 | | Baffle, valley - #2 side |
| 8 | KH-M-545010 | 1 | S | Screw, hex. flange M5x0.8x10 |
| 9 | KH-32-063-03-S | 1 | | Baffle, valley - #1 side |
| 10 | KH-32-063-10-S | 1 | | Baffle, cylinder barrel-#1 side SV730-0011 |
| 10 | KH-32-063-06-S | 1 | | Baffle, cylinder barrel-#1 side SV740-0010 |
| 11 | KH-M-545020-S | 1 | | Screw, hex. flange M5x0.8x20 |
| 12 | KH-24-086-12 | 1 | | Screw, hex. cap M6x1.7x18 |



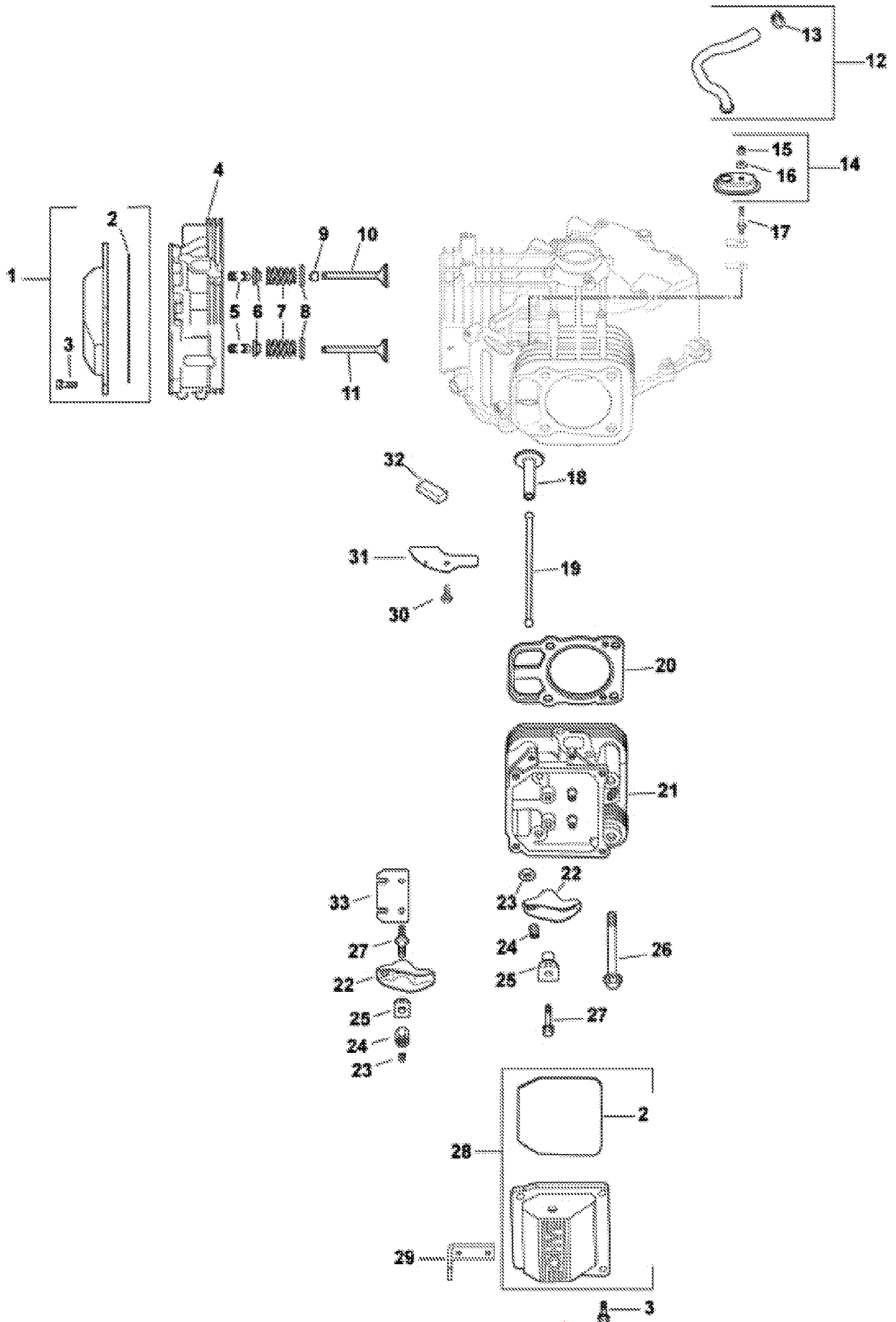
| Ref # | Part Number | Qty | S/P/F | Description |
|-------|-----------------|-----|-------|--------------------------------|
| 1 | KH-24-211-03-S | 1 | | Bolt, round hd square neck |
| 2 | KH-24-090-33-S | 1 | S | Lever, governor SV740-0010 |
| 2 | KH-24-090-51-S | 1 | /P | Lever, governor SV730-0011 |
| 3 | KH-M-641060-S | 1 | /P | Nut, hex. flange M6x1.0 |
| 4 | KH-24-089-01 | 1 | | Spring, linkage |
| 5 | KH-25-158-08 | 1 | /P | Bushing, linkage retaining |
| 6 | KH-24-079-04 | 1 | | Linkage, throttle |
| 7 | KH-25-158-11 | 1 | /P | Bushing, throttle linkage |
| 8 | KH-M-545016-S | 1 | /P | Screw, hex. flange, M5x0.8x16 |
| 9 | KH-M-547050-S | 1 | | Nut, hex. lock M5x0.8 |
| 10 | KH-24-089-03 | 1 | | Spring, choke return |
| 11 | KH-24-126-161-S | 1 | S | Bracket, control |
| 12 | KH-M-645016-S | 1 | /P | Screw, hx. flange M6x1.0x16 |
| 13 | KH-47-237-02 | 1 | S | Clamp, dual conduit |
| 14 | KH-24-086-43-S | 1 | | Screw, thread forming |
| 15 | KH-24-079-22-S | 1 | | Linkage, choke |
| 16 | KH-24-112-27-S | 1 | | Spacer, control assembly |
| 17 | KH-24-090-47-S | 1 | | Lever, throttle actuator |
| 18 | KH-24-090-13 | 1 | | Lever, throttle control |
| 19 | KH-24-468-01 | 1 | | Washer, plain 5.5 mm |
| 20 | KH-M-545020-S | 1 | | Screw, hx. flange M5x0.8x20 |
| 21 | KH-41-468-03 | 1 | | Washer, spring 1/4" |
| 22 | KH-24-090-05 | 1 | | Lever, choke |
| 23 | KH-M-403025-S | 1 | | Screw, hex. head cap M4x0.7x25 |
| 24 | KH-M-446030-S | 1 | /P | Nut, hex. M4x0.7 |
| 25 | KH-24-468-20-S | 1 | | Washer, plain |
| 26 | KH-24-089-25-S | 1 | /P | Spring, governor |
| 27 | KH-24-089-55-S | 1 | | Spring, governor |



SLT1554 Tractor Courage Engine (2008 & after)
Engine Crankcase & Crankshaft SV730 & SV740

Page 17 of 53

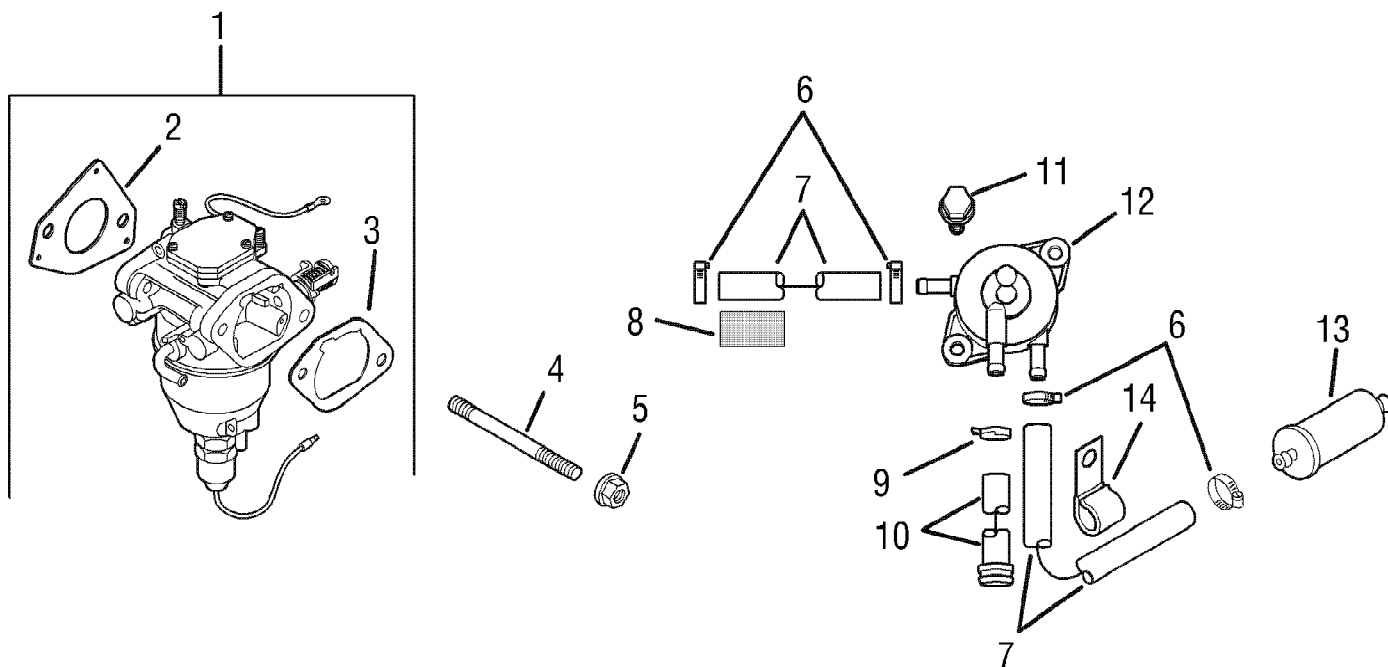
| Ref # | Part Number | Qty | S/P/F | Description |
|-------|----------------|-----|-------|------------------------------------|
| 1 | KH-32-038-01-S | 1 | S | Kit, dipstick (Includes 2) |
| 2 | KH-12-153-02-S | 1 | /P | O-Ring |
| 3 | KH-M-545013-S | 1 | | Screw, hex. flange M5x0.8x16 |
| 4 | KH-12-123-04 | 1 | S | Tube, oil fill (Includes 5,6) |
| 5 | KH-12-153-02-S | 1 | /P | O-Ring, upper oil fill tube |
| 6 | KH-12-153-01 | 1 | S | O-Ring, lower oil fill tube |
| 7 | KH-24-126-19 | 1 | | Bracket, oil fill tube |
| 8 | KH-24-032-01-S | 1 | S | Seal, oil |
| 9 | | 1 | | Crankcase (Use: Miniblock) |
| 9 | KH-32-782-01 | 1 | | Miniblock |
| 10 | KH-25-237-14-S | 1 | /P | Clamp, hose |
| 11 | KH-32-326-06-S | 1 | | Hose, breather |
| 12 | KH-M-547050-S | 1 | | Nut, hex. lock M5x0.8 |
| 13 | KH-32-468-01-S | 1 | | Washer, sealing |
| 14 | KH-32-081-02-S | 1 | | Housing, breather |
| 15 | KH-32-072-02-S | 1 | | Stud, breather cover |
| 16 | KH-24-018-04-S | 1 | | Retainer, breather reed |
| 17 | KH-12-402-02 | 1 | | Reed, breather |
| 18 | KH-24-380-16-S | 1 | /P | Pin, locating |
| 19 | KH-24-067-24-S | 1 | S | Connecting Rod (Std.) |
| 20 | KH-24-874-01-S | 1 | S | Piston w/Ring Set (Std.) (Inc. 21) |
| 20 | KH-24-874-27-S | 1 | S | Piston w/Ring Set (.08) |
| 20 | KH-24-874-28-S | 1 | /P | Piston w/Ring Set (.25) |
| 21 | KH-24-018-01-S | 1 | /P | Retainer, piston pin |
| 22 | KH-24-108-14-S | 1 | | Ring Set (Std.) |
| 22 | KH-24-108-16-S | 1 | /P | Ring Set (.25) |
| 23 | KH-12-422-10-S | 1 | /P | Shim, camshaft (yellow) |
| 23 | KH-12-422-09-S | 1 | /P | Shim, camshaft (red) |
| 23 | KH-12-422-13-S | 1 | /P | Shim, camshaft (black) |
| 23 | KH-12-422-07-S | 1 | /P | Shim, camshaft (white) |
| 23 | KH-12-422-08-S | 1 | /P | Shim, camshaft (blue) |
| 23 | KH-12-422-11-S | 1 | /P | Shim, camshaft (green) |
| 23 | KH-12-422-12-S | 1 | /P | Shim, camshaft (gray) |
| 24 | KH-32-012-01-S | 1 | | Kit, camshaft |
| 25 | KH-M-645016-S | 1 | /P | Screw, hex. flange M6x1.0x16 |
| 26 | KH-32-096-04-S | 1 | | Cover, breather |
| 27 | KH-32-041-01-S | 1 | | Gasket, breather cover |
| 28 | KH-32-050-01-S | 1 | | Filter, breather |
| 29 | KH-28-032-09-S | 1 | | Seal, governor cross shaft |
| 30 | KH-24-018-09-S | 1 | | Ring, retainer |
| 31 | KH-M-931010-S | 1 | | Washer, plain 8 mm |
| 32 | KH-24-468-15-S | 1 | | Washer, flat 1/4" |
| 33 | KH-24-144-38-S | 1 | /P | Shaft, governor cross |
| 34 | KH-32-014-04-S | 1 | S | Crankshaft (Includes 35) |
| 35 | KH-52-139-09-S | 1 | /P | Plug, cup |



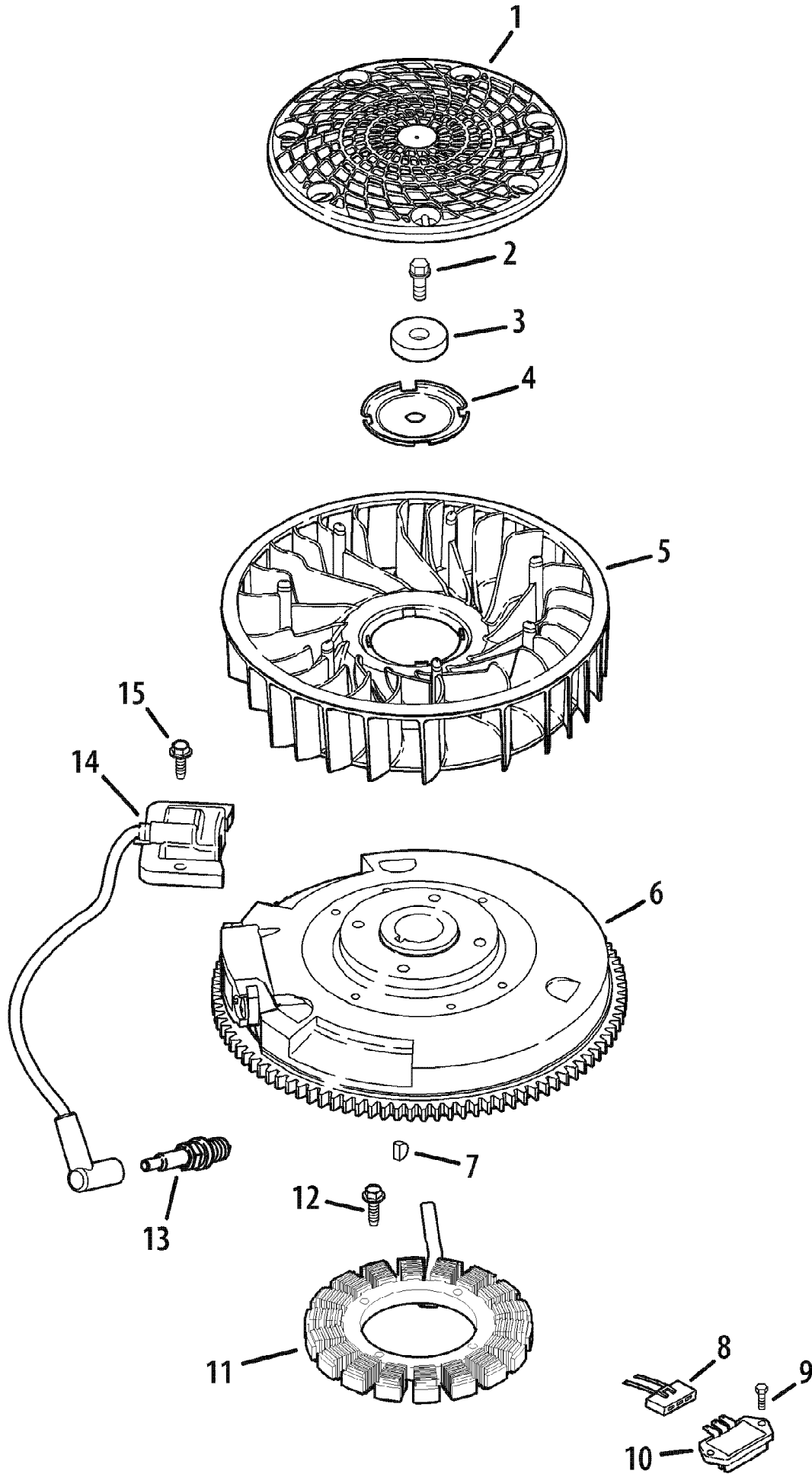
| Ref # | Part Number | Qty | S/P/F | Description |
|-------|-----------------|-----|-------|--|
| 1 | KH-24-755-141-S | 1 | /P | KIT, VALVE COVER-PLAIN (Incl. Ref No. 2,3) |
| 2 | KH-24-153-30-S | 2 | /P | O-RING, VALVE COVER |
| 3 | KH-M-651030-S | 8 | | SCREW, FLG M6X1.0X30 |
| 4 | KH-32-318-01-S | 1 | S | USE 32 318 05-S KIT (Incl. Ref No. 26 [qty 4] & KH-24-841-03-S) (Before S/N 3633510953) |
| | KH-32-318-05-S | 1 | S | USE 32 318 08-S CYL HEAD ASSY (Incl. Ref No. 26 [qty 4] & KH-24-841-03-S) (After S/N 3633510943) |
| 5 | KH-12-755-03 | 4 | /P | KIT, RETAINER |
| 6 | KH-12-173-01 | 4 | /P | CAP, VALVE SPRING |
| 7 | KH-24-089-02 | 4 | /P | SPRING, VALVE |
| 8 | KH-235011-S | 4 | /P | RETAINER, SPRING |
| 9 | KH-66-032-05-S | 2 | /P | SEAL, VALVE STEM |
| 10 | KH-24-017-01 | 2 | /P | VALVE, INTAKE (STD) |
| 11 | KH-24-016-01 | 2 | /P | VALVE, EXHAUST (STD) |
| 12 | KH-32-326-06-S | 1 | | KIT, BREATHER HOSE (Incl. Ref No. 13 [qty 1]) |
| 13 | KH-25-237-14-S | 5 | /P | CLAMP, HOSE 1/2" |
| 14 | KH-32-081-02-S | 1 | | KIT, BREATHER HOUSING (Incl. Ref No. 15,16) |
| 15 | KH-M-547050-S | 1 | | NUT, LOCK M5X.8 |
| 16 | KH-32-468-01-S | 1 | | WASHER, SEALING |
| 17 | KH-32-072-03-S | 1 | | STUD, BREATHER COVER |
| 18 | KH-32-019-01-S | 4 | S | USE 32 019 02-S TAPPET |
| 19 | KH-32-411-02-S | 4 | /P | ROD, PUSH (before S/N 3633510953) |
| | KH-32-411-04-S | 4 | /P | ROD, PUSH (after S/N 3633510943) |
| 20 | KH-24-841-03-S | 2 | /P | KIT, CYLINDER HEAD GASKET (includes head mounting hardware & KH-24-041-49-S, KH-24-153-27-S) |
| 21 | KH-32-318-02-S | 1 | S | USE 32 318 06-S KIT (Incl. Ref No. 26 [qty 4] & KH-24-841-03-S) (before S/N 3633510953) |
| | KH-32-318-06-S | 1 | S | USE 32 318 10-S CYL HEAD ASSY (Incl. Ref No. 26 [qty 4] & KH-24-841-03-S) (After S/N 3633510943) |
| 22 | KH-32-186-02-S | 4 | S | ARM, ROCKER (before S/N 3633510953) |
| | KH-32-186-03-S | 4 | | ARM, ROCKER (after S/N 3633510943) |
| 23 | KH-32-100-04-S | 4 | | NUT, M10X0.75 (before S/N 3633510953) |
| | KH-25-100-33-S | 4 | | USE 25 100 38-S HEX NUT (after S/N 3633510943) |
| 24 | KH-32-086-03-S | 4 | | SCREW, SET (before S/N 3633510953) |
| | KH-25-086-128-S | 4 | S | USE 25 086 168-S SET SCREW (after S/N 3633510943) |
| 25 | KH-24-599-02-S | 4 | /P | PIVOT, ROCKER ARM (before S/N 3633510953) |
| | KH-25-599-01-S | 4 | | PIVOT, ROCKER ARM (after S/N 3633510943) |
| 26 | KH-12-086-16 | 8 | S | SCREW, FLG M10X1.5X90 |

SLT1554 Tractor Courage Engine (2008 & after)
 Engine Cylinder Head SV730 & SV740

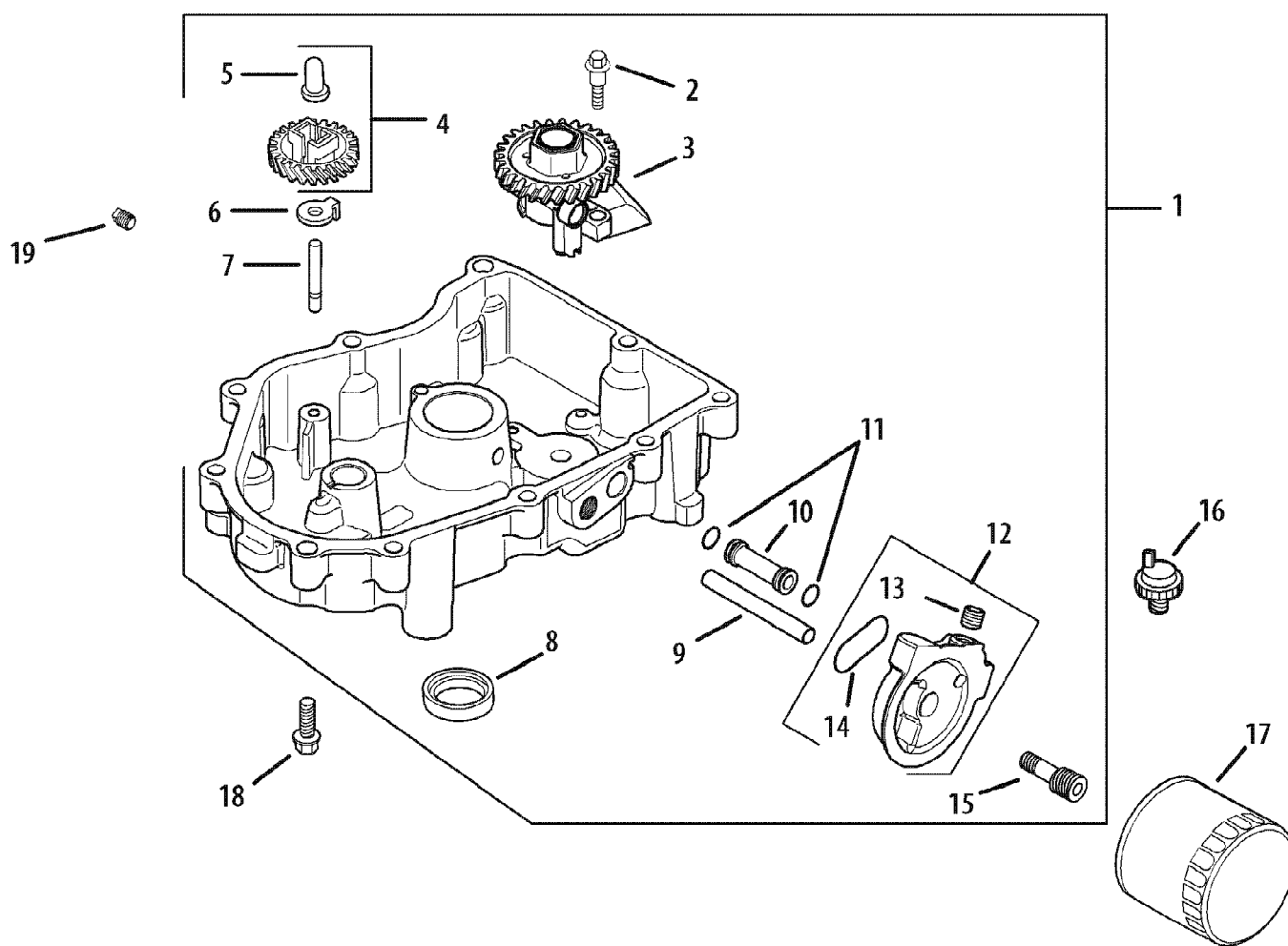
| Ref # | Part Number | Qty | S/P/F | Description |
|-------|----------------|-----|-------|--|
| 27 | KH-32-086-04-S | 4 | /P | SCREW, FLG M6X1.0X45 (before S/N 3633510953) |
| | KH-32-072-04-S | 4 | | STUD, ROCKER (after S/N 3633510943) |
| 28 | KH-32-096-06-S | 1 | | KIT, BREATHER VALVE COVER (Incl. Ref No. 2 [qty 1]) |
| 29 | KH-24-445-01 | 1 | S | USE 25 445 01-S LIFTING STRAP |
| 30 | KH-M-645016-S | 1 | /P | SCREW, FLG THD FRM M6X1.0X16 |
| 31 | KH-32-096-04-S | 1 | | COVER, BREATHER |
| 32 | KH-32-050-01-S | 1 | | FILTER, BREATHER |
| 33 | KH-32-146-09-S | 2 | | PLATE, GUIDE (after S/N 3633510943) |
| | KH-24-041-49-S | 1 | /P | GASKET, EXHAUST NOT ILLUSTRATED |
| | KH-24-153-27-S | 1 | /P | O-RING, INTAKE PORT NOT ILLUSTRATED |
| | KH-32-755-03-S | 2 | | KIT, CYLINDER HEAD HARDWARE NOT ILLUSTRATED (Services 1 Head. Quantities listed are for both heads) (Incl. Ref No. 5-11,19,22,25,34) |



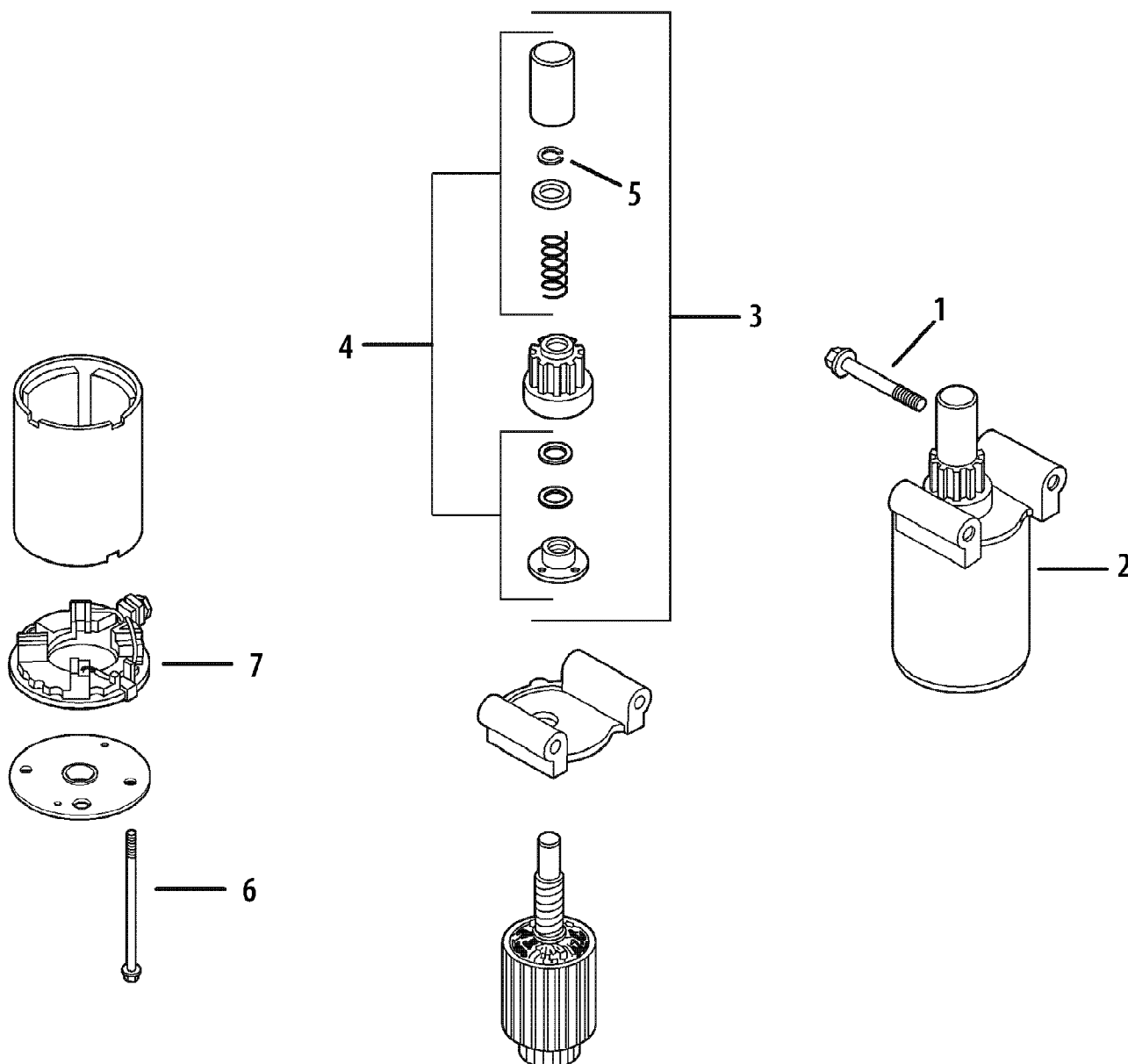
| Ref # | Part Number | Qty | S/P/F | Description |
|-------|----------------|-----|-------|--|
| 1 | KH-32-853-04-S | 1 | S | Kit, carb. w/gaskets (Incl. 2,3) |
| 2 | KH-24-041-52-S | 1 | /P | Gasket, carburetor |
| 3 | KH-24-041-14 | 1 | /P | Gasket, air cleaner base |
| 4 | KH-M-629105-S | 1 | | Stud, carburetor |
| 5 | KH-M-641060-S | 1 | /P | Nut, hex. flange M6x1.0 |
| 6 | KH-25-237-14-S | 1 | /P | Clamp, hose |
| 7 | KH-25-111-34-S | 1 | | Line, fuel (In lengths of 24" - Cut to length as needed) |
| 8 | KH-25-431-10-S | 1 | | Anti-Abrasion Sleeve |
| 9 | KH-25-237-01-S | 1 | | Clamp, hose |
| 10 | KH-32-326-02-S | 1 | S | Hose, fuel pump |
| 11 | KH-24-086-12 | 1 | | Screw, hex. cap M6x1.7x18 |
| 12 | KH-24-393-16 | 1 | /P | Pump, pulse fuel |
| 13 | KH-25-050-22-S | 1 | S | Filter, fuel |
| 14 | KH-47-154-01-S | 1 | /P | Clip, cable |
| | KH-24-757-36-S | 1 | | Kit, service choke repair |
| | KH-24-757-38-S | 1 | | Kit, service gasket repair |
| | KH-24-757-44-S | 1 | | Kit, float w/gaskets |
| | KH-24-757-45-S | 1 | /P | Kit, solenoid valve w/gaskets |
| | KH-24-757-46-S | 1 | /P | Kit, overhaul w/gaskets |



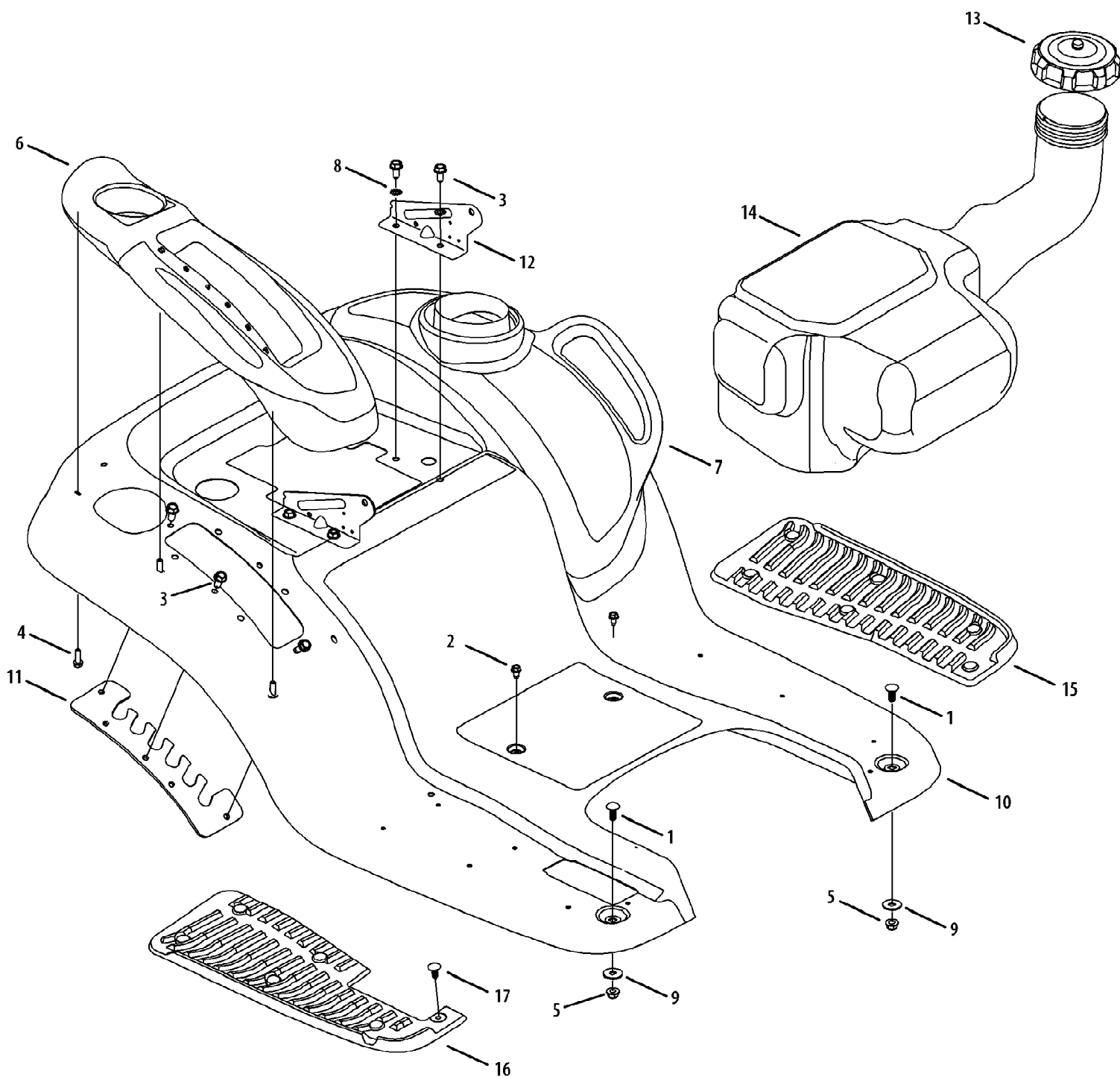
| Ref # | Part Number | Qty | S/P/F | Description |
|-------|----------------|-----|-------|---|
| 1 | KH-32-162-03-S | 1 | | Screen, grass |
| 2 | KH-12-086-14 | 1 | | Screw, hex. flange M10x1.5x45 |
| 3 | KH-12-468-03 | 1 | /P | Washer, plain 3/8" |
| 4 | KH-20-146-05-S | 1 | /P | Plate, fan mounting |
| 5 | KH-32-157-01-S | 1 | | Fan |
| 6 | KH-32-025-08-S | 1 | S | Flywheel SV730-0011 |
| 6 | KH-32-025-05-S | 1 | S | Flywheel SV740-0010 |
| 7 | KH-X-42-15 | 1 | /P | Key |
| 8 | KH-236602-S | 1 | S | Connector (3 contact) SV740-0010 |
| 8 | KH-25-155-41-S | 1 | /P | Connector SV730-0011 |
| 9 | KH-M-551016-S | 1 | | Screw, heavy hex. flange M5x0.8x16 |
| 10 | KH-41-403-10-S | 1 | /P | Rectifier-regulator SV730-0011 |
| 10 | KH-41-403-09-S | 1 | | Rectifier-regulator SV740-0010 |
| 11 | KH-237878 | 1 | /P | Kit, 15 amp stator (Incl. KH-25-452-01-S) |
| 12 | KH-M-548025-S | 1 | /P | Screw, hex. head M5x0.8x25 |
| 13 | KH-12-132-02 | 1 | S | Spark plug |
| 14 | KH-24-584-45-S | 1 | /P | Module, ignition SV730-0011 |
| 14 | KH-24-584-52-S | 1 | S | Module, ignition SV740-0010 |
| 15 | KH-M-545020-S | 1 | | Screw, hex. flange M5x0.8x20 |
| | KH-32-176-14-S | 1 | /P | Kit, Wire Harness SV730-0011 |
| | KH-32-176-05-S | 1 | | Kit, Wire Harness SV740-0010 |
| | KH-25-454-03-S | 1 | | Wire, Tie |
| | KH-25-452-01-S | 1 | | Terminal |
| | KH-21-584-31-S | 1 | | Speed Advance Module SV740-0010 |
| | KH-M448010-S | 1 | | Screw SV740-0010 |



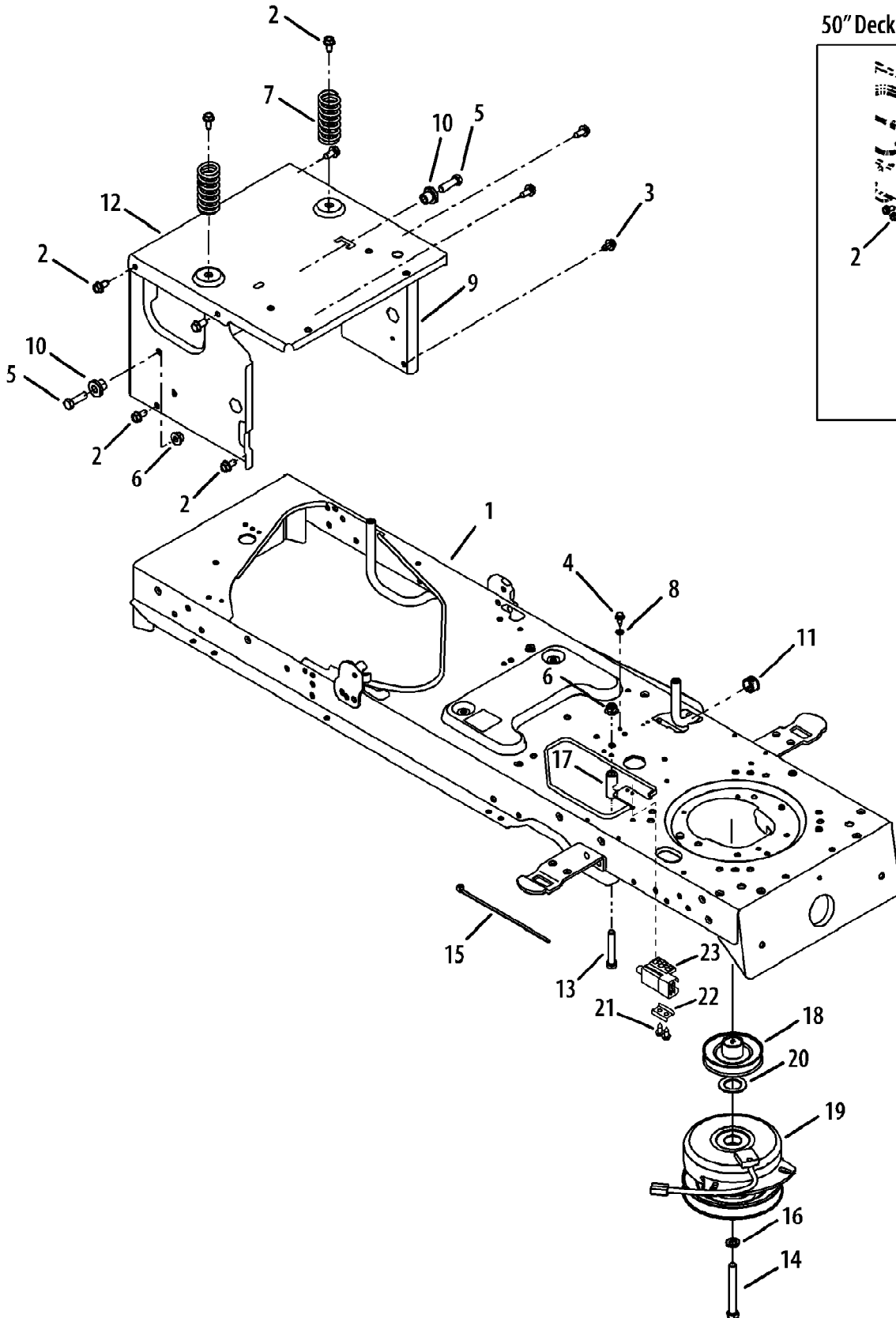
| Ref # | Part Number | Qty | S/P/F | Description |
|-------|----------------|-----|-------|--|
| 1 | KH-32-199-07-S | 1 | S | Pan assembly, oil (Includes 2-15) |
| 2 | KH-32-086-01-S | 1 | | Screw, hex. flange thread forming shoulder |
| 3 | KH-32-393-10-S | 1 | /P | Oil pump assembly |
| 4 | KH-24-043-12 | 1 | /P | Kit, governor gear w/pin (Includes 5) |
| 5 | KH-12-380-01 | 1 | /P | Pin, governor regulating |
| 6 | KH-24-448-02-S | 1 | | Tab, locking |
| 7 | KH-12-144-02 | 1 | | Shaft, governor gear |
| 8 | KH-52-032-06-S | 1 | | Seal, oil (PTO end) |
| 9 | KH-32-123-01-S | 1 | | Tube, oil feed - filter to oil pan |
| 10 | KH-32-123-06-S | 1 | | Tube, oil feed - oil pan to filter |
| 11 | KH-24-153-01 | 1 | /P | O-Ring |
| 12 | KH-32-029-16-S | 1 | /P | Adapter, oil filter (Includes 13,14) |
| 13 | KH-25-139-60-S | 1 | /P | Plug, hex. ctsk. 1/8" |
| 14 | KH-32-153-04-S | 1 | | O-Ring, oil filter adapter |
| 15 | KH-32-136-05-S | 1 | | Nipple, oil filter |
| 16 | KH-25-099-27-S | 1 | /P | Switch, pressure |
| 17 | KH-52-050-02-S | 1 | /P | Filter, oil |
| 18 | KH-24-086-17-S | 1 | /P | Screw, hex. flange M8x1.25x45 |
| 19 | KH-25-139-57-S | 1 | /P | Plug, sq. hd. solid 3/8" |



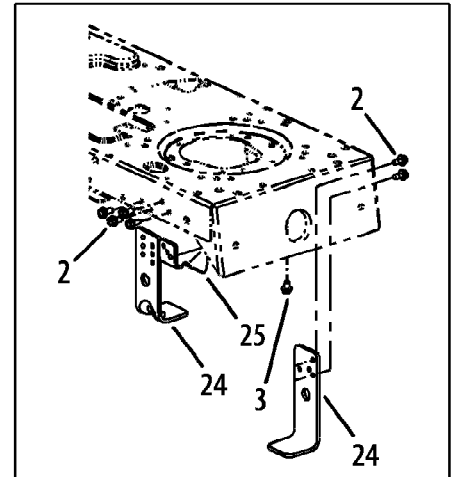
| Ref # | Part Number | Qty | S/P/F | Description |
|-------|----------------|-----|-------|---------------------------------|
| 1 | KH-M-839080 | 1 | S | Screw, hex. flange M8x1.25x70 |
| 2 | KH-32-098-01-S | 1 | S | Starter assembly (Includes 3-5) |
| 3 | KH-12-755-39-S | 1 | | Kit, drive |
| 4 | KH-12-755-38-S | 1 | | Kit, drive parts |
| 5 | KH-32-141-01-S | 1 | | Retaining Ring |
| 6 | KH-32-211-01-S | 1 | | Thru-bolt |
| 7 | KH-12-243-04-S | 1 | | Commutator, end cap |



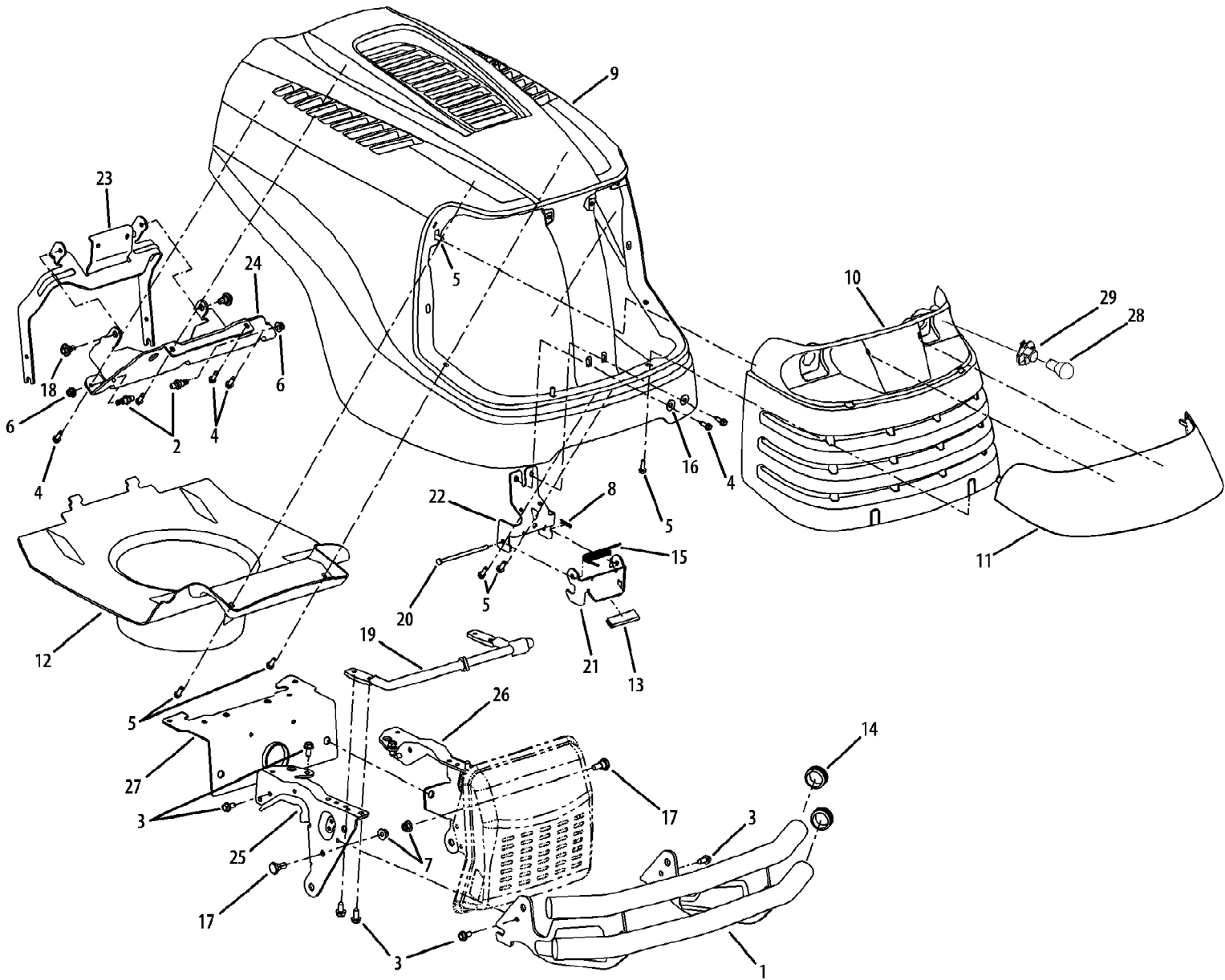
| Ref # | Part Number | Qty | S/P/F | Description |
|-------|-------------|-----|-------|------------------------------------|
| 1 | 710-0451 | 1 | /P | Bolt, Carriage, 5/16-18 x .750 |
| 2 | 710-0599 | 1 | /P | Screw, Self-tapping, 1/4-20, 0.500 |
| 3 | 710-04484 | 1 | | Screw, 5/16-12, 0.75 |
| 4 | 710-0895 | 1 | | Screw, 1/4-15, 0.750 |
| 5 | 712-04063 | 1 | /P | Nut, Nylon Lock, 5/16-18 |
| 6 | 731-2616A | 1 | S | Cover, Fender, RH |
| 7 | 731-2617 | 1 | | Cover, Fender, LH |
| 8 | 736-0607 | 1 | /P | Washer, Lock, 5/16 External Tooth |
| 9 | 736-3078 | 1 | /P | Washer, Flat, .349 x 1.00 x .063 |
| 10 | 783-04477A | 1 | /P | Fender |
| 11 | 783-0677B | 1 | | Bracket, Lift, Adjustment |
| 12 | 783-1489C | 1 | | Bracket, Seat, Mount |
| 13 | 751-3124D | 1 | S | Cap, Fuel |
| 14 | 751-0819B | 1 | S | Tank, Fuel |
| 15 | 735-0697A | 1 | | Pad, Foot, LH |
| 16 | 735-0698B | 1 | | Pad, Foot, RH |
| 17 | 726-3046 | 1 | /P | Clip, Ratchet, .250 Dia |



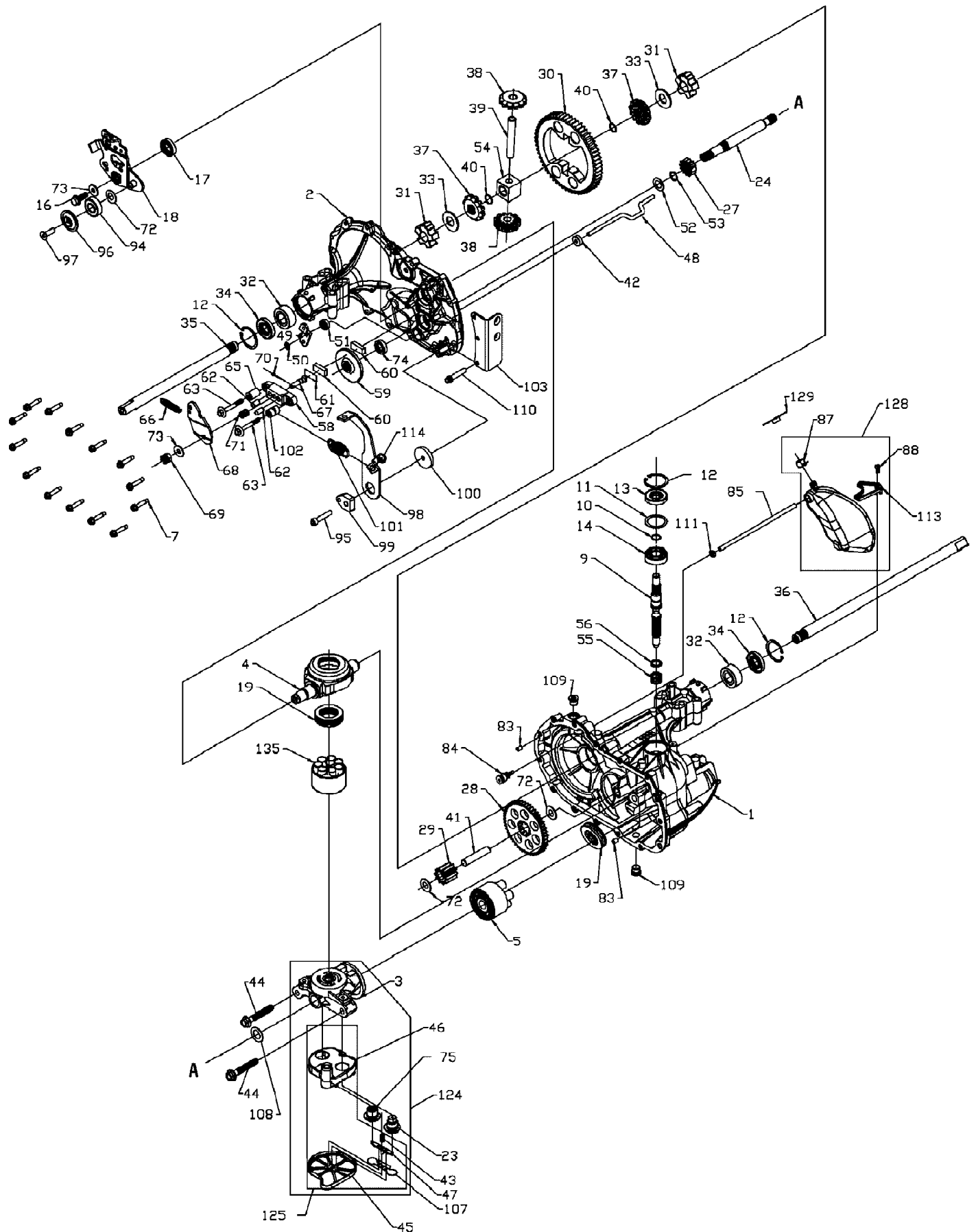
50" Deck Units



| Ref # | Part Number | Qty | S/P/F | Description |
|-------|-------------|-----|-------|---|
| 1 | 683-04173B | 1 | | Frame Assembly, Lower |
| 2 | 710-04484 | 1 | | Screw, Self-tapping, 5/16-18, 0.75 |
| 3 | 710-0607 | 1 | /P | Screw, Hex Wash. Tapp, 5/16-18 x .5 |
| 4 | 710-1652 | 1 | /P | Screw, Hex Wash. Hd. Tapp, 1/4-20 x 0.625 |
| 5 | 710-3005 | 1 | /P | Hex Screw 3/8-16 x 1.25 |
| 6 | 712-04065 | 1 | /P | Nut, Nylon Lock, 3/8-16 |
| 7 | 732-04035 | 1 | | Spring, Compression, 1.28 OD x 3.125 |
| 8 | 736-0222 | 1 | S | Washer, Lock, Ext. 1/4 |
| 9 | 783-04810C | 1 | S | Frame, Upper |
| 10 | 738-04058 | 1 | | Shoulder Spacer |
| 11 | 741-04092 | 1 | | Snap Bushing |
| 12 | 783-04746 | 1 | | Bracket, Frame, Seat |
| 13 | 710-3011 | 1 | /P | Screw, 3/8-16 x 2.25 GR5 |
| 14 | 710-04379A | 1 | | Screw, Hex Cap , 7/16-20 x 3.5 GR5 |
| 15 | 725-0157 | 1 | /P | Cable, Tie, 3/16 x .05 x 7.4 |
| 16 | 736-0171 | 1 | S | Washer, Lock, 7/16, Regular Duty |
| 17 | 748-0415B | 1 | /P | Spacer, 3/8 x 1.54 |
| 18 | 756-0978B | 1 | /P | Electric PTO Engine Pulley |
| 19 | 717-04174A | 1 | S | Clutch, PTO (50" Deck Models) |
| 19 | 717-1774C | 1 | S | Clutch, PTO (54" Deck Models) |
| 20 | 736-0277 | 1 | | Washer, Flat, 1.031 x 1.62 x .095 |
| 21 | 710-0224 | 1 | S | Screw, #10 - 16, x .500 |
| 22 | 17962 | 1 | | Switch Mounting Plate |
| 23 | 725-04039 | 1 | S | Interlock Switch |
| 24 | 783-04975 | 1 | S | Up-stop Bracket 50" Deck Units Only |
| 25 | 783-04419B | 1 | S | Clutch Bracket |



| Ref # | Part Number | Qty | S/P/F | Description |
|-------|-------------|-----|-------|--|
| 1 | 683-04218 | 1 | S | Bumper |
| 2 | 710-04471 | 1 | | Bolt, Ball Shoulder, 5/16-18 x .48 |
| 3 | 710-04484 | 1 | | Screw, Hex, 5/16-18 x .750 |
| 4 | 710-0642 | 1 | /P | Screw, Self Tapp, 1/4-20 x.750 |
| 5 | 710-0895 | 1 | | Screw, 1/4-15 x.750 |
| 6 | 712-04063 | 1 | /P | Nut, Flange Lock, 5/16-18 |
| 7 | 712-04065 | 1 | /P | Nut, Nylon Lock, 3/8-16 |
| 8 | 714-0104 | 1 | S | Pin, Cotter,.072 Dia. x 1.13 |
| 9 | 759-04209 | 1 | /P | Hood, Service Kit (contains 931-06887, 726-0233, 710-1242 and installation instructions) |
| 9 | 931-06887 | 1 | S | Hood Replaces 731-05053B |
| 9 | 726-0233 | 4 | /P | Push Nut .25ID x .50 OD |
| 9 | 710-1242 | 4 | /P | Screw, Hi Low 5/16-14 x .75 |
| 10 | 731-05103 | 1 | S | Grill |
| 11 | 731-05111 | 1 | S | Lens |
| 12 | 731-05129 | 1 | | Hood Plenum |
| 13 | 731-05291 | 1 | S | Vinyl Strip, 2.5" |
| 14 | 731-05368 | 1 | | Cap, Bumper |
| 15 | 732-04281A | 1 | /P | Latch Spring |
| 16 | 736-0173 | 1 | /P | Washer, Flat, .28 x .74 x .063 |
| 17 | 738-0143 | 1 | /P | Screw, Shoulder, 3/8-16 |
| 18 | 738-04091A | 1 | /P | Screw, Shoulder, 5/16-18 |
| 19 | 747-04494 | 1 | | Hood Latch Rod |
| 20 | 747-1323A | 1 | | Rod,.250 Dia. x 4.55 |
| 21 | 783-04717A | 1 | /P | Latch Pivot Bracket |
| 22 | 783-04848 | 1 | | Latch Plate |
| 23 | 783-05028 | 1 | S | Hood Pivot Rod |
| 24 | 783-05029A | 1 | S | Hood Hinge Bracket |
| 25 | 783-0726E | 1 | /P | Pivot Support Bracket, RH |
| 26 | 783-0727D | 1 | | Pivot Support Bracket, LH |
| 27 | 783-0728B | 1 | | Pivot Bar Bracket |
| 28 | 725-0963 | 1 | S | Miniature Lamp, 12V |
| 29 | 725-1649 | 1 | S | Lamp Socket |
| | 629-04142A | 1 | /P | Headlight Harness Not Shown |



SLT1554 Tractor Courage Engine (2008 & after)
Hydrostatic Transmission

Page 36 of 53

| Ref # | Part Number | Qty | S/P/F | Description |
|-------|---------------|-----|-------|---|
| 1 | HG-71275 | 1 | | Main Housing, Assembly Main Housing, Machined Drain, Bushing .865 X .985 X .790 |
| 2 | HG-70483 | 1 | /P | Side Housing, Assembly Side Housing, Bushing .865 X .985 X .790, Bushing .624 X .719 X .562 |
| 3 | HG-70724 | 1 | | Center Section, Assembly Center Section, Bushing .707 X .788 X .591 |
| 4 | HG-51048 | 1 | /P | Swashplate, Trunnion Machined |
| 5 | HG-70331 | 1 | /P | Block - Assembly Block - Cylinder, Piston, Spring, Compression, Washer - Thrust |
| 7 | HG-51190 | 14 | /P | Hex Flange Screw 1/4-20 X 1.25 |
| 9 | HG-51062 | 1 | /P | Shaft, Input |
| 10 | HG-2000022 | 1 | /P | Ring, Retaining |
| 11 | HG-50951 | 1 | /P | Spacer |
| 12 | HG-50329 | 3 | /P | Ring, Retaining |
| 13 | HG-51161 | 1 | /P | Seal, Lip .67 X 1.58 X .276 |
| 14 | HG-50315 | 1 | | Ball, Bearing 17mm ID X 40mm OD X12mm |
| 16 | HG-51064 | 1 | | Bolt, Hex Flange Head 5/16-24 X .94 (Patch) |
| 17 | HG-51140 | 1 | /P | Lip Seal 18 X 32 X 7 |
| 18 | HG-51119 | 1 | /P | Arm, Control |
| 19 | HG-50551 | 2 | S | Bearing, 30 X 52 X 13 Thrust |
| 23 | HG-51843-1027 | 1 | | Shock Valve Assembly |
| 24 | HG-50966 | 1 | | Shaft, Motor |
| 27 | HG-51767 | 1 | | Gear - Pinion, 12T |
| 28 | HG-51766 | 1 | | 10T/49T Gear |
| 29 | HG-51043 | 1 | /P | Gear, LDT Jackshaft |
| 30 | HG-51847 | 1 | | 60T Bull Gear |
| 31 | HG-51088 | 2 | /P | Sleeve Bearing .75 X 1.750 X .625 |
| 32 | HG-51089 | 2 | /P | Sleeve Bearing (Outboard) .75 X 1.575 X .625 |
| 33 | HG-44875 | 2 | /P | Washer, 3/4 X 1 1/2 X .13 THK |
| 34 | HG-51066 | 2 | /P | Lip Seal Axle Seal |
| 35 | HG-52209 | 1 | S | Shaft, Axle (R.H.) |
| 36 | HG-52210 | 1 | S | Shaft, Axle (L.H.) |
| 37 | HG-51829 | 2 | | Miter Gear 12T (Splined) |
| 38 | HG-51830 | 2 | | Miter Gear 12T |
| 39 | HG-50146 | 1 | | Shaft |
| 40 | HG-44871 | 2 | /P | Ring, Spiral Retaining |
| 41 | HG-51083 | 1 | | Pin, Jackshaft |
| 42 | HG-51100 | 1 | | Magnet, Ring |
| 43 | HG-51136 | 1 | | Spring, Bypass |
| 44 | HG-50016 | 2 | | Bolt, Hex Flange 3/8-24 X 2.5 |
| 47 | HG-51091 | 1 | | Actuator, Bypass |
| 48 | HG-51098 | 1 | | Rod, Bypass Actuator |
| 49 | HG-51135 | 1 | | Arm, Bypass |
| 50 | HG-51116 | 1 | /P | Retaining Ring, 250 External |
| 51 | HG-51081 | 1 | /P | Seal, Lip .741 X .250 X 250 TC |
| 52 | HG-44371 | 1 | /P | Flat Washer |
| 53 | HG-44145 | 1 | | Retaining Ring |
| 54 | HG-51071 | 1 | | Bearing, Center Block |
| 55 | HG-2003014 | 1 | /P | Spring - Helical Compression |
| 56 | HG-2003017 | 1 | /P | Washer |

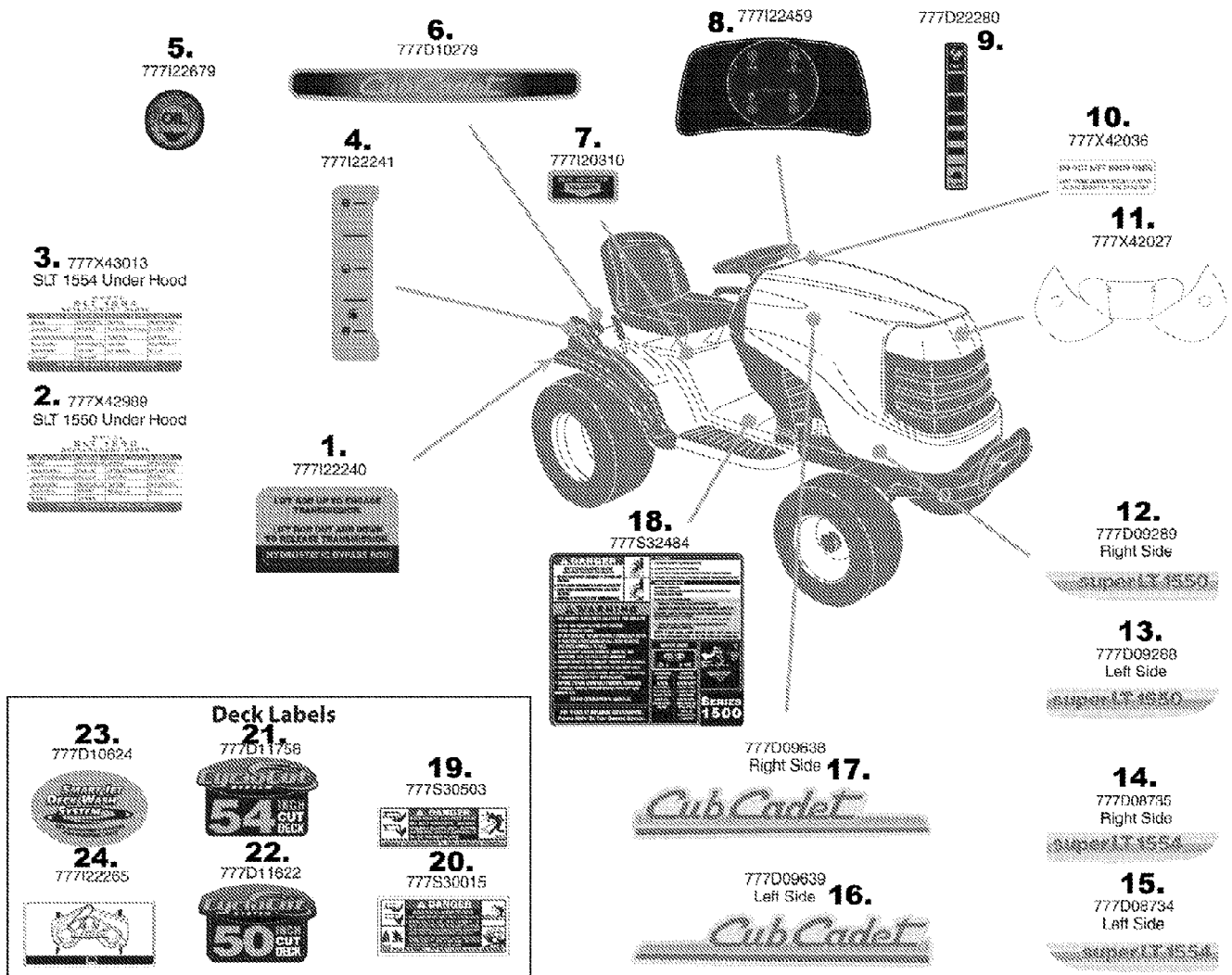
SLT1554 Tractor Courage Engine (2008 & after)
Hydrostatic Transmission

Page 37 of 53

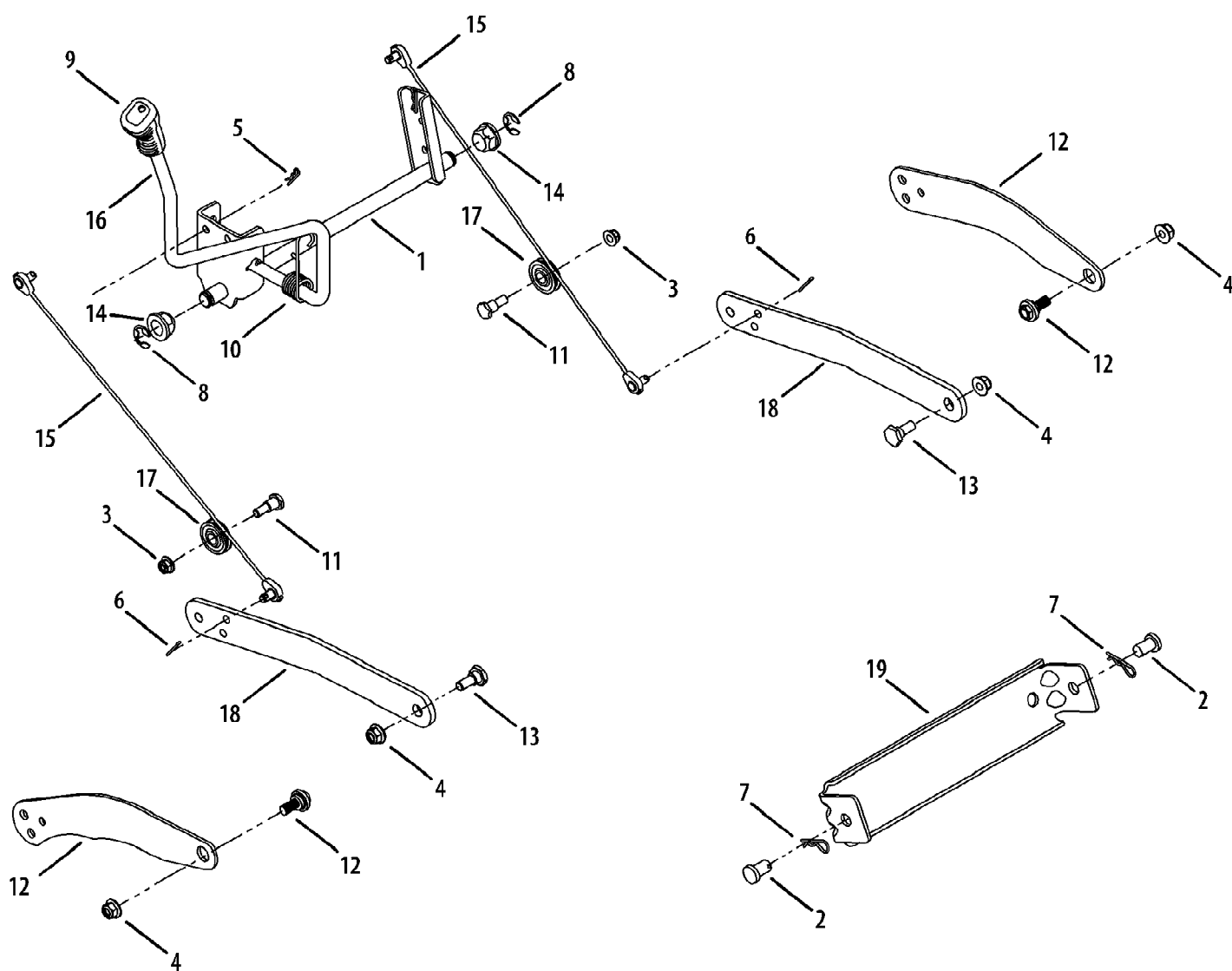
| Ref # | Part Number | Qty | S/P/F | Description |
|-------|-----------------|-----|-------|---|
| 58 | HG-62589 | 1 | /P | Brake, Yoke |
| 59 | HG-51072 | 1 | /P | Rotor, Brake |
| 60 | HG-44132 | 2 | S | Brake, Puck |
| 61 | HG-44134 | 1 | S | Puck Plate |
| 62 | HG-44127 | 2 | S | Brake Actuating Pin |
| 63 | HG-51146 | 2 | | HFHCS 1/4-20 X 2 w/Patch SPECIAL FLANGE |
| 65 | HG-23711 | 1 | | Spacer |
| 66 | HG-51607 | 1 | | Spring, Brake ARM BIAS |
| 67 | HG-44138 | 1 | | Sq. HD, Bolt 5/16-24 |
| 68 | HG-44094 | 1 | /P | Arm, Brake |
| 69 | HG-44142 | 1 | S | Slotted Hex Nut, 5/16-24 |
| 70 | HG-44101 | 1 | S | Cotter Pin, 3/32 X 3/4 |
| 71 | HG-50919 | 1 | /P | Compression Spring Anti-Drag |
| 72 | HG-50132 | 3 | /P | Washer |
| 73 | HG-44130 | 2 | S | Flat, Washer 11/32 I.D. X 7/9 O.D |
| 74 | HG-44761 | 1 | S | Seal, Kit |
| 75 | HG-51084 | 1 | /P | Check Plug Assembly, .027 Washer |
| 83 | HG-9004800-2506 | 2 | /P | Pin, Standard Headless |
| 84 | HG-51143 | 1 | /P | Fitting, 5/16 SAE 5/32 Tube |
| 85 | HG-51147 | 1 | | Hose, Expansion Tank |
| 87 | HG-51251 | 1 | | Cap, Vent |
| 88 | HG-50653 | 1 | /P | Bolt, Self Tapping 10-32 x 1/2 |
| 93 | HG-51118 | 2 | | Spring, Clip - Housing Thrust |
| 94 | HG-44147 | 1 | | Bearing, Ball .62 ID X 1.39 .44 |
| 95 | HG-50837 | 1 | | Screw, Socket Head Cap 5/16-24 X 1 1/2 |
| 96 | HG-51200 | 1 | | Spacer, Locating |
| 97 | HG-50870 | 1 | | Screw, SFHCS 5/16-18 X 1 |
| 98 | HG-51120 | 1 | | Arm, Return |
| 99 | HG-51097 | 1 | | Puck, Adjusting |
| 100 | HG-51122 | 1 | | Washer |
| 101 | HG-51131 | 1 | /P | Spring, Extension |
| 102 | HG-51123 | 1 | | Spacer, .260 ID X .560 OD X .870 |
| 103 | HG-51223 | 1 | | Bracket, Torque |
| 107 | HG-51134 | 1 | | Deflector |
| 108 | HG-51069 | 1 | | Washer, Motor Shaft .71 ID X 1.15 OD X .030 THK |
| 109 | HG-9005110-5600 | 2 | /P | Plug, SAE #6 |
| 110 | HG-50868 | 1 | | Screw, Torx Head 5/16-18 T.F. |
| 111 | HG-51144 | 1 | | O-Ring .103 X .299 ID |
| 113 | HG-51179 | 1 | | Bracket, Support Expansion Tank |
| 114 | HG-51184 | 1 | /P | Spring, Guide |
| 124 | HG-70930 | 1 | | Center Section - Filter - Bypass Assembly Center Section, Base Filterw/Poppet, Check Plug Assembly .027 Washer, Shock Valve Assembly, Spring Bypass, Actuator Bypass, Deflector, Bottom Filter, Bushing .707 X .788 X .591 |
| 125 | HG-70756 | 1 | /P | Filter Assembly Bottom Filter, Spring Bypass, Deflector, Base Filter w/Poppet |

SLT1554 Tractor Courage Engine (2008 & after)
Hydrostatic Transmission

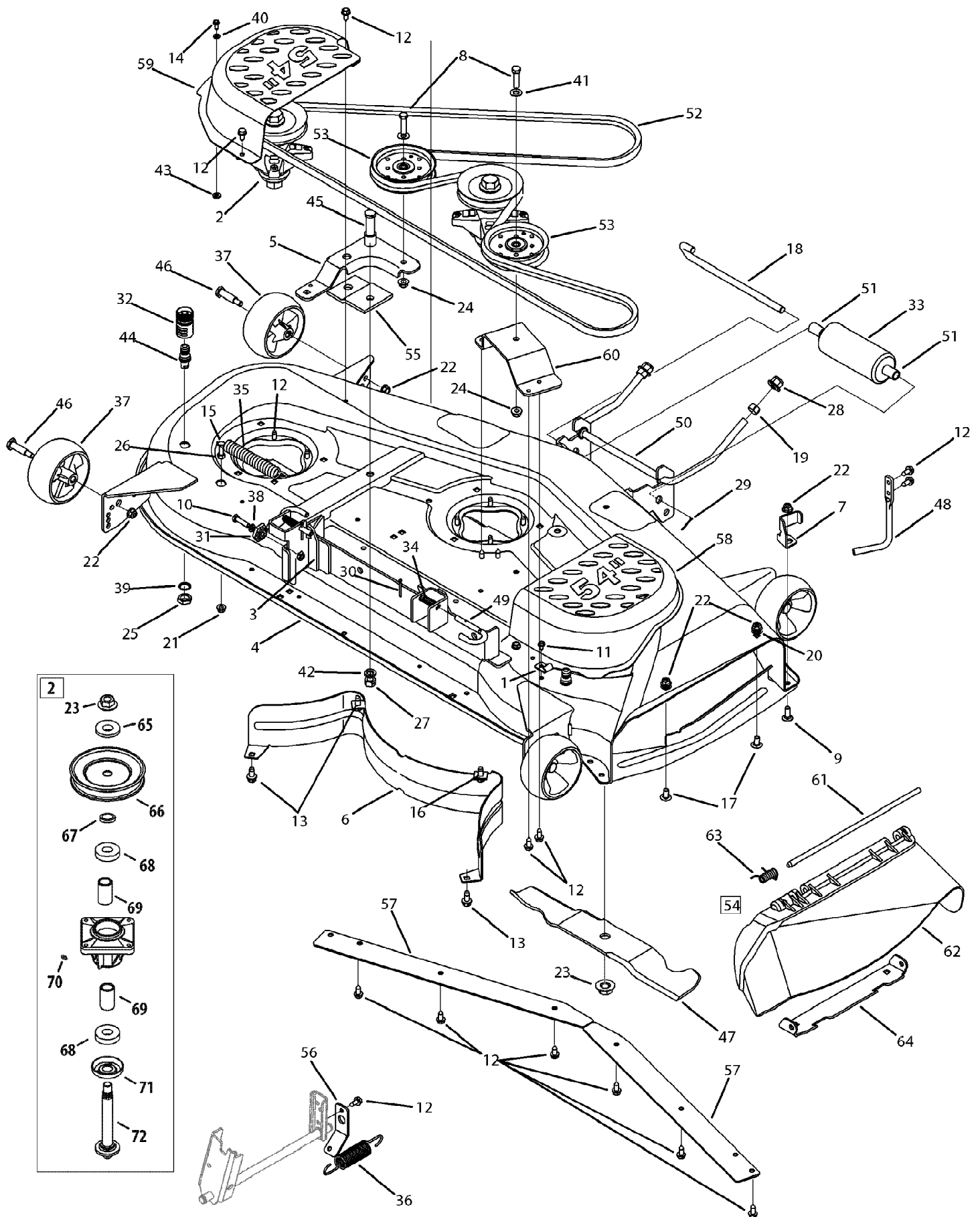
| Ref # | Part Number | Qty | S/P/F | Description |
|-------|-------------|-----|-------|--|
| 128 | HG-70503 | 1 | /P | Kit, Expansion Tank Tank Expansion Assembly, Cap Vent, VSBolt Self Tapping 10/32 X 1/2, Bracket Support Expansion Tank |
| 135 | HG-70723 | 1 | /P | Block - Assembly Block - Cylinder, Piston, Spring Compression, Washer - Thrust |
| | 737-3121 | 1 | /P | Drive System Fluid not shown |
| | HG-50928 | 1 | /P | Sealant 10.5 oz. not shown |
| | HG-70463 | 1 | /P | Seal - O-Ring Kit, includes: not shown |
| | | 1 | | Seal, Lip .67 X 1.58 X .276 |
| | | 1 | | Lip Seal 18 X 32 X 7 |
| | | 2 | | Lip Seal .706 X 1.584 .25 |
| | | 1 | | Seal, Lip .741 X .250 X .250 TC |
| | | 1 | | Oil Seal .625 X .25 |
| | | 1 | | O-Ring |



| Ref # | Part Number | Qty | S/P/F | Description |
|-------|-------------|-----|-------|--------------------------------|
| 1 | 777I22240 | 1 | | LABEL-HYDRO ENGAGE |
| 2 | 777X42989 | 1 | | LABEL-PARTS LIST SLT1550 |
| 3 | 777X43013 | 1 | | LABEL-RIDER PARTS LIST SLT1554 |
| 4 | 777I22241 | 1 | | LABEL-FUEL LEVEL |
| 5 | 777I22679 | 1 | | LABEL-CHECK ENG OIL |
| 6 | 777D10279 | 1 | | LABEL-REAR FENDER |
| 7 | 777I20310 | 1 | | LABEL-SEAT ADJUSTE |
| 8 | 777I22459 | 1 | | LABEL-DASH PANEL |
| 9 | 777I22280 | 1 | S | LABEL-THROTTLE |
| 10 | 777X42036 | 1 | | LABEL: CUB RIDER |
| 11 | 777X42027 | 1 | | LABEL-GRILLE REFLECTOR |
| 12 | 777D09289 | 1 | | LABEL-RH SIDE LT1550 |
| 13 | 777D09288 | 1 | | LABEL-LH SIDE LT1550 |
| 14 | 777D08735 | 1 | | LABEL-RH SIDE LT1554 |
| 15 | 777D08734 | 1 | | LABEL-LH SIDE LT1554 |
| 16 | 777D09639 | 1 | | LABEL-LFT SIDE HOOD |
| 17 | 777D09638 | 1 | | LABEL-RGT SIDE HOOD |
| 18 | 777S32484 | 1 | | LABEL-FRAME COVER |
| 19 | 777S30503 | 1 | /P | LABEL-DANGER CHUTE |
| 20 | 777S30015 | 1 | | LBL.RIDER DNGR.STRAIGT |
| 21 | 777D11758 | 1 | | LABEL-CYCLO CUT 54" |
| 22 | 777D11622 | 1 | | LABEL-CYCLO CUT 50" |
| 23 | 777D10624 | 1 | | LABEL-RIDER:DECK WASH CUB |
| 24 | 777I22265 | 1 | | LABEL-BELT ROUTE |



| Ref # | Part Number | Qty | S/P/F | Description |
|-------|-------------|-----|-------|----------------------------------|
| 1 | 683-04223 | 1 | S | Shaft Assembly, Lift (50" Deck) |
| 1 | 683-04301 | 1 | S | Shaft Assembly, Lift (54" Deck) |
| 2 | 711-0332 | 1 | S | Pin, Clevis, .50 Dia x .78 Lg |
| 3 | 712-04063 | 1 | /P | Nut, Nylon Lock, 5/16-18, Gr5 |
| 4 | 712-04065 | 1 | /P | Nut, Nylon Lock, 3/8-16 |
| 5 | 714-0104 | 1 | S | Pin, Cotter, .072 Dia. x 1.13 Lg |
| 6 | 714-0111 | 1 | S | Pin, Cotter, 3/32, 1.0 |
| 7 | 714-04023 | 1 | S | Pin, Click, .092 x 1.64 Lg |
| 8 | 716-0106A | 1 | | E-ring, .625 Dia. Shaft |
| 9 | 720-0311 | 1 | | Grip, Handle |
| 10 | 732-0874 | 1 | /P | Spring, Torsion |
| 11 | 738-0138A | 1 | /P | Screw, Hex Cap, 5/16-18x.620 Gr2 |
| 12 | 783-04963A | 1 | | Arm, Lift (50" Deck) |
| 13 | 738-0380 | 1 | S | Shldr. Screw, 3/8-16 |
| 14 | 741-0225 | 1 | S | Bearing, Hex Flange |
| 15 | 746-0968 | 1 | | Cable, Lift, 16.16 Lg |
| 16 | 747-04447 | 1 | | Handle, Lift |
| 17 | 756-1154 | 1 | | Pulley, Roller |
| 18 | 783-05546 | 1 | S | Arm, Lift (54" Deck) |
| 19 | 783-0720A | 1 | S | Bracket, Deck |

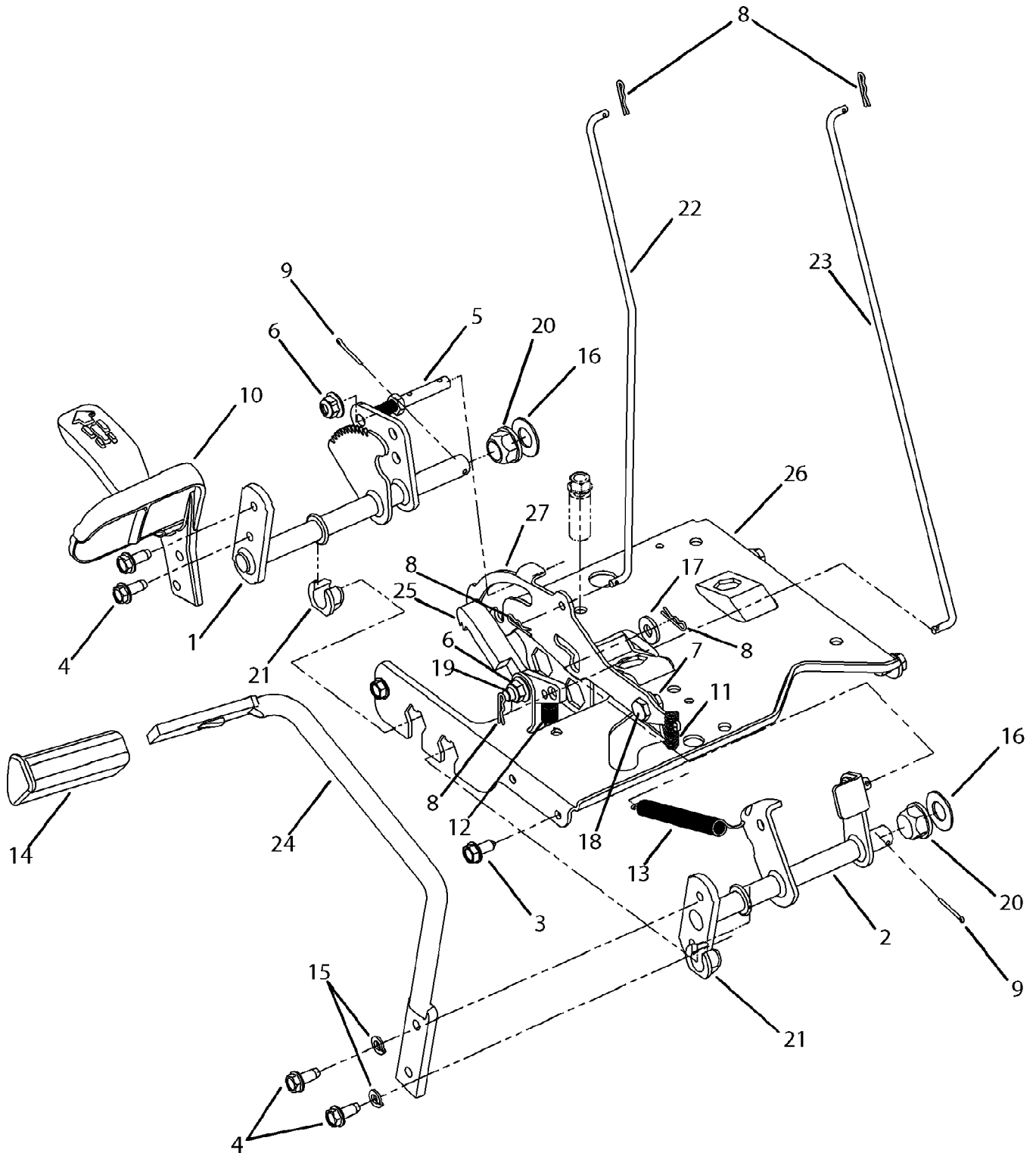


SLT1554 Tractor Courage Engine (2008 & after)
Mowing Deck 54

Page 44 of 53

| Ref # | Part Number | Qty | S/P/F | Description |
|-------|-------------|-----|-------|-------------------------------------|
| 1 | 16606 | 1 | S | Hook, Retainer Bracket |
| 2 | 618-04126A | 1 | S | Spindle Assembly |
| 3 | 683-0254B | 1 | /P | Hanger Bracket Assembly |
| 4 | 683-04180A | 1 | | 54" Deck Weldment |
| 5 | 683-04182 | 1 | S | Idler Arm Assembly |
| 6 | 703-2093 | 1 | | Inner Rear Baffle |
| 7 | 703-3279 | 1 | | Chute Deflector Stop |
| 8 | 710-0347 | 1 | /P | Screw, 3/8-16 x 1.75 |
| 9 | 710-04095 | 1 | | Screw, 3/8-16 x 1.0 |
| 10 | 710-0528 | 1 | /P | Screw, 5/16-18 x 1.25 |
| 11 | 710-0599 | 1 | /P | Screw, 1/4-20 x.500 |
| 12 | 710-04484 | 1 | | Screw, 5/16-18 x .750 |
| 13 | 710-0623 | 1 | /P | Screw, 3/8-16 x.750 |
| 14 | 710-0650 | 1 | /P | Screw, 5/16-18 x .875 |
| 15 | 710-3103 | 1 | /P | Screw, 5/16-18 x 2.00 |
| 16 | 710-3168 | 1 | /P | Bolt, Carriage, 3/8-16 x 1.00 |
| 17 | 710-3178 | 1 | /P | Bolt, Carriage, 3/8-16 x.750 |
| 18 | 711-1737 | 1 | | Pin, Roller,.5" Dia. x 10.06 |
| 19 | 712-0206 | 1 | S | Nut, Hex, 1/2-13 |
| 20 | 712-0229 | 1 | | Push Nut, 3/8 |
| 21 | 712-04063 | 1 | /P | Nut, Flange Lock, 5/16-18 |
| 22 | 712-04065 | 1 | /P | Nut, Flange Lock, 3/8-16 |
| 23 | 712-0417A | 1 | /P | Nut, Hex, Flange, 5/8-18 |
| 24 | 712-0431 | 1 | S | Nut, Flange Lock, 3/8-16 |
| 25 | 712-0641 | 1 | S | Nut, Hex, M16-1.5 |
| 26 | 712-3010 | 1 | S | Nut, Hex, 5/16-18 |
| 27 | 712-3022 | 1 | /P | Nut, Hex Lock, 1/2-13 |
| 28 | 712-3083 | 1 | /P | Nut, Hex Lock, 1/2-13 |
| 29 | 714-0111 | 1 | S | Pin, Cotter, 3/32 x 1.00 |
| 30 | 714-0470 | 1 | S | Pin, Cotter, 1/8 x 1.25 |
| 31 | 717-04074 | 1 | S | Deck Adjustment Gear |
| 32 | 721-04041 | 1 | S | Hose Coupler |
| 33 | 731-05679 | 1 | | Front Roller |
| 34 | 732-0306A | 1 | S | Spring,.531OD x 1.75 |
| 35 | 732-04247 | 1 | | Spring, Ext., .850 Dia. x 6.415 |
| 36 | 732-0971 | 1 | | Spring, Ext., 1.010 Dia. x 6.50 |
| 37 | 734-04155 | 1 | | Deck Wheel |
| 38 | 736-0119 | 1 | S | Washer, Lock, 5/16 |
| 39 | 736-0225 | 1 | /P | Washer, Lock, 5/8, Internal Tooth |
| 40 | 736-0275 | 1 | S | Washer, Flat, .344 x .688 x .065 |
| 41 | 736-0300 | 1 | S | Washer, Flat,.406 x.875 x.059 |
| 42 | 736-0921 | 1 | S | Washer, Lock, 1/2 |
| 43 | 736-3010 | 1 | /P | Washer, Flat,.407 x .812 x .135 |
| 44 | 737-04003D | 1 | /P | Port, Water |
| 45 | 738-1229A | 1 | /P | Screw,.625 x 2.50 x 1/2-13 |
| 46 | 738-3056 | 1 | S | Shoulder Screw, .496 x 2.50, 3/8-16 |
| 47 | 742-0677B | 1 | S | Blade, 18.5" |
| 48 | 747-04384 | 1 | | Rod, Upstop, 54" LT |
| 49 | 747-1116 | 1 | /P | Rod, Deck Release Handle |
| 50 | 747-1324 | 1 | | Rod, Adjust. Front Deck .5" Dia. |
| 51 | 750-0151 | 1 | S | Spacer,.550 ID x.755 OD x 1.1 |
| 52 | 754-0642 | 1 | S | V-Belt |
| 53 | 756-04129 | 1 | S | Pulley, Idler, 4.25" Dia. |

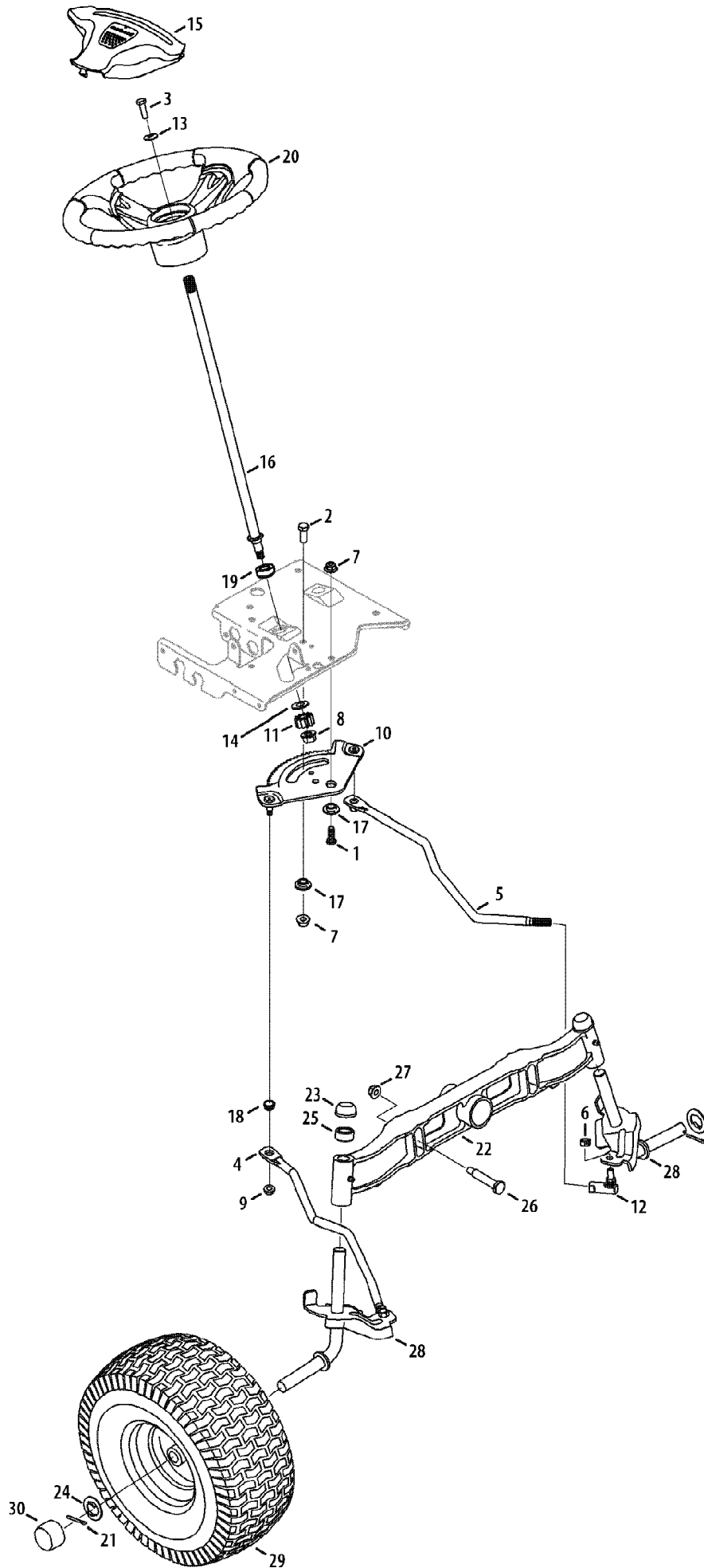
| Ref # | Part Number | Qty | S/P/F | Description |
|-------|-------------|-----|-------|---|
| 54 | 631-04070A | 1 | /P | Discharge Chute Ass'y. (inc. Ref. 61-64) |
| 55 | 783-04013A | 1 | | Bracket, Stabilizer, Pulley |
| 56 | 783-04462 | 1 | | Lift Bracket, 54" Deck |
| 57 | 783-04690B | 1 | /P | Skirt, Deck |
| 58 | 783-04691 | 1 | | Cover, Belt, RH |
| 59 | 783-04692 | 1 | | Cover, Belt, LH |
| 60 | 783-04726 | 1 | | Bracket, Idler, Stationary |
| 61 | 711-04565 | 1 | | Hinge Pin |
| 62 | N/A | 1 | | Defltr. Chute (Avail. assy. only - see ref. 54) |
| 63 | 732-04372 | 1 | | Torsion Spring |
| 64 | 783-05030 | 1 | | Chute Bracket |
| 65 | 736-0315 | 1 | /P | Washer, Flat, .760 x 1.5 x .120 |
| 66 | 756-04216 | 1 | | Pulley, 5.39" |
| 67 | 748-0160A | 1 | | Spacer, .790 x 1.25 x .175 |
| 68 | 741-0919 | 1 | S | Ball Bearing, .787 x 1.85 x .551 |
| 69 | 750-1000 | 1 | | Spacer, .800 x 1.10 x 1.322 |
| 70 | 737-3000 | 1 | S | Lube Fitting, 3/16 |
| 71 | 750-1349A | 1 | /P | Spacer, .79 x 1.84 x .55 |
| 72 | 738-1010A | 1 | /P | Shaft, Spindle, 5.75 |



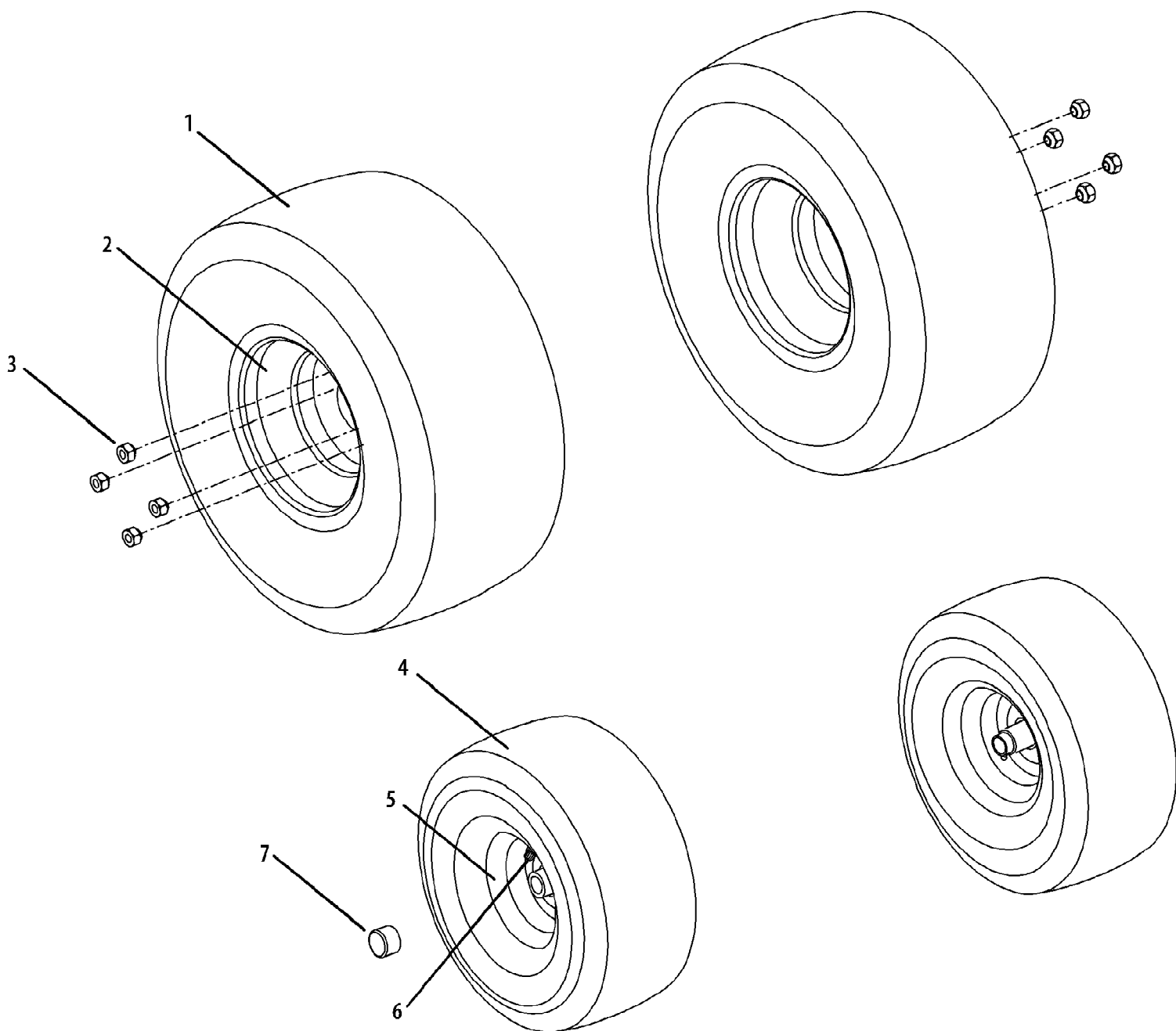
| Ref # | Part Number | Qty | S/P/F | Description |
|-------|-------------|-----|-------|--------------------------------------|
| 1 | 647-0049A | 1 | S | Control Assembly, Hydro |
| 2 | 647-04100 | 1 | S | Control Assembly, Brake |
| 3 | 710-04484 | 1 | | Screw, Self-tapping, 5/16-18, 0.75 |
| 4 | 710-1260A | 1 | /P | Screw, Self-tapping, 5/16-18, 0.75 |
| 5 | 711-04159B | 1 | | Pin, 3/8-16, 3/8 x 2.68 |
| 6 | 712-04065 | 1 | /P | Nut, Nylon Lock, 3/8-16 |
| 7 | 712-3004A | 1 | /P | Nut, Flange Lock, 5/16-18, Gr5 |
| 8 | 714-0104 | 1 | S | Pin, Cotter, .072 Dia. x 1.13 Lg |
| 9 | 714-0111 | 1 | S | Pin, Cotter, 3/32, 1.0 |
| 10 | 719-0584B | 1 | S | Pedal, Hydro Control |
| 11 | 732-0335 | 1 | | Spring, Compression, .405 x 1.17 |
| 12 | 732-0955 | 1 | | Spring, Extension, .50 OD x 1.41 Lg |
| 13 | 732-0963 | 1 | | Spring, Extension, .50 Dia x 6.37 Lg |
| 14 | 735-3049A | 1 | /P | Pad, Brake, Control |
| 15 | 736-0119 | 1 | S | Washer, Lock, 5/16 |
| 16 | 736-0187 | 1 | /P | Washer, Flat .64 x 1.24 x .06 |
| 17 | 736-0262 | 1 | /P | Washer, Flat, .385 x .870 x .092 |
| 18 | 738-0155 | 1 | S | Shoulder, Screw .437 |
| 19 | 738-0380 | 1 | S | Shoulder, Screw 3/8-16 |
| 20 | 741-0225 | 1 | S | Bearing, Hex Flange |
| 21 | 741-3065B | 1 | /P | Bearing, Hex Flange, .628 ID, Split |
| 22 | 747-04093A | 1 | | Rod, Control, Brake Lock |
| 23 | 747-04096 | 1 | | Rod, Control, Cruise |
| 24 | 783-04641A | 1 | | Pedal, Brake |
| 25 | 748-04039C | 1 | | Latch, Cruise |
| 26 | 783-04612 | 1 | S | Bracket, Support, Stearing |
| 27 | 783-0663E | 1 | /P | Bracket, Lockout, Hydro |



| Ref # | Part Number | Qty | S/P/F | Description |
|-------|-----------------|-----|-------|-------------------------------|
| | 759-3336 | 1 | /P | Spark Plug |
| | KH-32-883-03-S1 | 1 | /P | Air Filter & Pre-Cleaner |
| | KH-52-050-02-S | 1 | /P | Oil Filter |
| | KH-25-050-22-S1 | 1 | /P | Fuel Filter |
| | KH-24-584-36-S | 1 | /P | Ignition Module |
| | KH-41-403-09 | 1 | S | Voltage Regulator |
| | KH-24-393-16 | 1 | /P | Fuel Pump |
| | KH-24-757-46-S | 1 | /P | Carb Kit |
| | KH-24-757-45-S | 1 | /P | Carburetor Solenoid |
| | 954-04165 | 1 | /P | Drive Belt (Trans) |
| | 954-0642 | 1 | /P | P.T.O. / Deck Belt |
| | 942-0677B | 1 | /P | Blades |
| | 712-0417A | 1 | /P | Blade Nut |
| | 918-04126A | 1 | S | Spindle Assy. w/Pulley |
| | 734-04155 | 1 | | Deck Wheels (Front) |
| | 734-04155 | 1 | | Deck Wheels (Back) |
| | 921-04041 | 1 | /P | Water Nozzle Adapter |
| | 923-0448A | 1 | /P | Ball Joints |
| | 925-04040 | 1 | /P | Brake Switch |
| | 951-3124D | 1 | S | Fuel Cap |
| | 725-04439 | 1 | | Solenoid |
| | 725-2054 | 1 | S | Ignition Keys |
| | 925-04227B | 1 | /P | Ignition Switch Module |
| | 925-04175 | 1 | /P | P.T.O. Switch |
| | 725-1648 | 1 | S | P.T.O. Relay |
| | 721-0342 | 1 | S | Gasket use with 725-1648 |
| | 917-1774C | 1 | /P | P.T.O. Clutch |
| | KH-25-357-05-S | 1 | S | Engine Oil |
| | 737-3121 | 1 | /P | Transmission Fluid, Gallon |
| | 490-900-0041 | 1 | | Deck Leveling Guage Accessory |



| Ref # | Part Number | Qty | S/P/F | Description |
|-------|-------------|-----|-------|---|
| 1 | 710-04095 | 1 | | Hex Cap Screw, 3/8-16, 1.00 |
| 2 | 710-0514 | 1 | /P | Hex Cap Screw, 3/8-16, 1.00, Gr5, Std |
| 3 | 710-0650 | 1 | /P | Self-tapping Screw, 5/16-18 x .75 |
| 4 | 711-1408 | 1 | | Link, Drag, RH |
| 5 | 711-1409A | 1 | /P | Link, Drag, LH |
| 6 | 712-0214 | 1 | S | Nut, Hex, 3/8-24, Gr5 |
| 7 | 712-04065 | 1 | /P | Nut, Nylon Lock, 3/8-16 |
| 8 | 712-0459 | 1 | /P | Nut, Flange Lock, 7/16-20 |
| 9 | 712-3004A | 1 | /P | Nut, Flange Lock, 5/16-18 |
| 10 | 717-1550E | 1 | S | Gear, Steering, 11/90 Ratio |
| 11 | 717-1554 | 1 | | Gear, Pinion, Steering |
| 12 | 723-0448A | 1 | S | Ball Joint, 7/16-20 |
| 13 | 736-3004 | 1 | S | Washer, Flat, .406 x .875 x .105 |
| 14 | 736-3084 | 1 | /P | Washer, Flat, .510 x 1.120 x .060 |
| 15 | 731-04532A | 1 | /P | Cover, Steering Wheel |
| 16 | 738-04262 | 1 | | Shaft, Steering, .625 OD x 25.00 Lg |
| 17 | 738-04154 | 1 | | Spacer, Shoulder, 1.00 x .38 x .38 |
| 18 | 741-0475 | 1 | S | Bushing, Plastic, .380 ID |
| 19 | 741-04237 | 1 | | Bearing, Hex Flange, 5/8 |
| 20 | 631-04008A | 1 | /P | Wheel, Steering, Three Spoke |
| 21 | 714-0162 | 1 | /P | Pin, Cotter, 5/32, 1.25 |
| 22 | 719-04177A | 1 | | Axle, Pivot Bar, Cast |
| 22 | 737-3000 | 1 | S | Fitting, Lube, 3/16 Drive Type Not Shown |
| 22 | 737-0475 | 1 | /P | Fitting, Lube, M6 Threaded Type Not Shown |
| 23 | 726-0341 | 1 | /P | Push Cap, .75 |
| 24 | 736-04228A | 1 | | Washer, Flat, .781 x 1.590 |
| 25 | 748-04068 | 1 | | Spacer, .71 x .125 x .56 |
| 26 | 738-1011A | 1 | /P | Screw, Shoulder, .500 x 2.23, 3/8-16 |
| 27 | 712-04065 | 1 | /P | Nut, Jam, 3/8-16, Grf. |
| 28 | 638-04003A | 1 | S | Axle Ass'y, LH .750 Dia. |
| 28 | 638-04004A | 1 | S | Axle Ass'y, RH .750 Dia. |
| 29 | N/A | 1 | | Wheel Assembly Order Components, See Wheel Assembly |
| 30 | 731-05674 | 1 | /P | Hub Cap |



| Ref # | Part Number | Qty | S/P/F | Description |
|-------|-------------|-----|-------|--|
| 1 | 734-04174 | 1 | | Tire, 22 x 9.5 x 12 Square Shoulder |
| 2 | 634-04238 | 1 | /P | Rim Assembly, 12.0 x 7.0 (4-Lug) |
| 2 | 734-0255 | 1 | S | Valve, Tubeless Air (not shown) |
| 3 | 712-3050 | 1 | /P | Lug Nut, 7/16-14 |
| 4 | 734-1731 | 1 | | Tire, 15 x 6 x 6 Square Shoulder |
| 5 | 634-04405 | 1 | | Rim Assembly, 6 x 4.5 (Includes Flange Bearings and Valve) |
| 5 | 741-0990B | 1 | /P | Bearing, Flange .760 ID w/ Grease Ftg. not shown |
| 5 | 741-0516B | 1 | /P | Bearing, Flange .760 x 1.00 x 1.20 Lg. not shown |
| 6 | 734-0255 | 1 | S | Valve, Tubeless Air |
| 7 | 731-05674 | 1 | /P | Hub Cap |