

LTX1050KW Tractor  
Drive System

Page 2 of 52

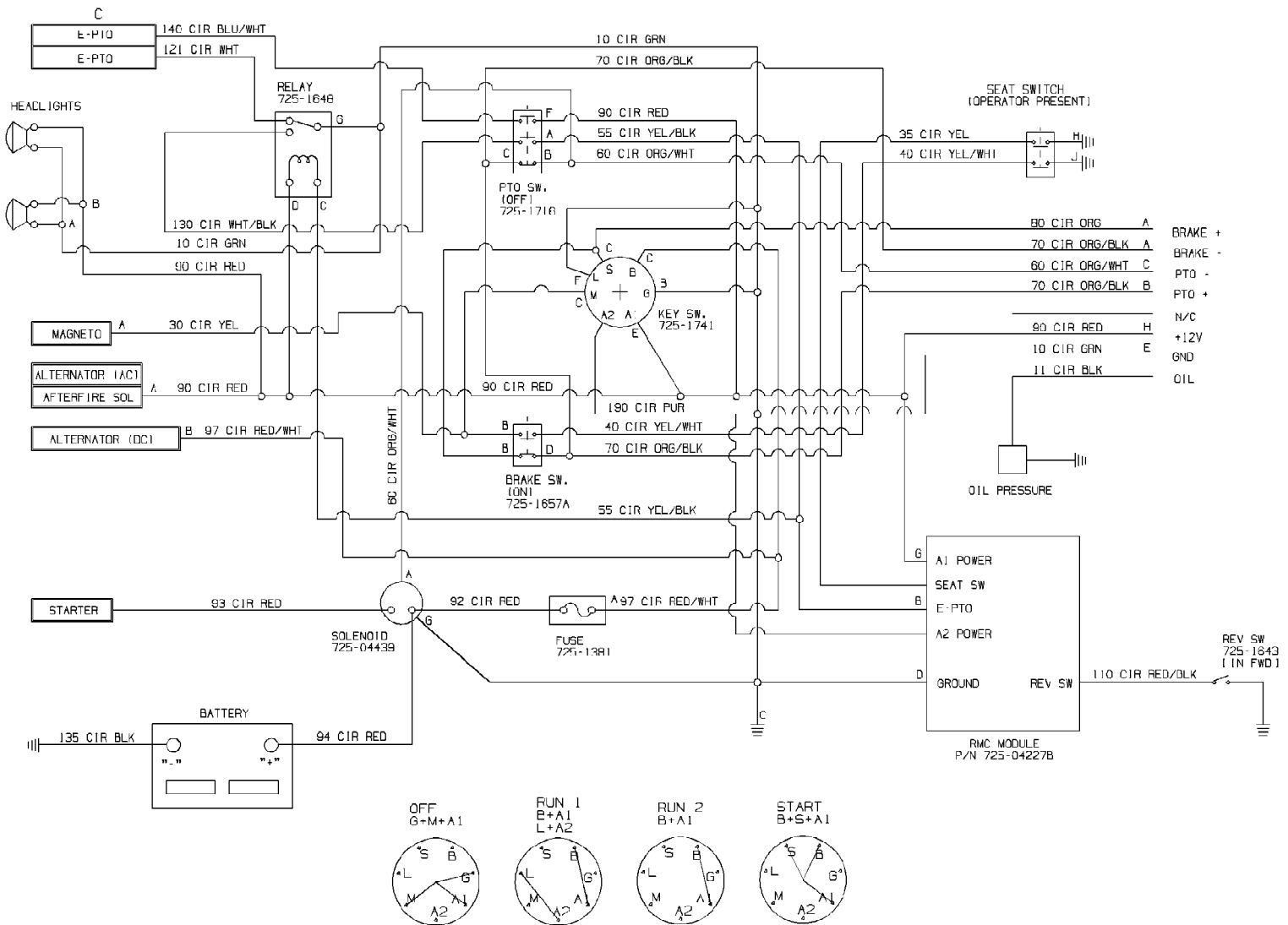
Ref #	Part Number	Qty	S/P/F	Description
1	918-0319	1	/P	Transmission, Hydro-Gear 0510
2	710-0176	1	/P	Hex Screw, 5/16-18, 2.75, Gr5, Std
3	710-0227	1	/P	Screw, #8-18, 0.500,
4	710-0351	1	/P	Screw, #10-16, 0.500
5	710-04484	1		Screw, Self-tapping, 5/16-18, .750
6	710-0653	1	/P	Screw, Self-tapping, 1/4-20, 0.375
7	710-1007	1	/P	Screw, Self-tapping, 3/8-16, 1.500
8	710-1325	1	/P	Screw, Self-tapping, 1/4-20, 1.625
9	710-3011	1	/P	Hex Screw, 3/8-16, 2.25, Gr5
10	912-0240	1	/P	Nut, Jam, 7/16-20, Gr2
11	912-0346	1	/P	Nut, Jam Lock, 1/2-20, Gr5, Nylon
12	712-04063	1	/P	Nut, Flange Lock, 5/16-18, Nylon
13	912-0431	1	/P	Nut, Flange Lock, 3/8-16
14	914-0111	1	/P	Pin, Cotter, 3/32, 1.0
15	725-0157	1	/P	Cable, Tie, 3/16 x .05 x 7.4
16	725-04791A	1		Jumper Harness, Ground & Reverse
17	725-1644	1		Switch, Spring, Short
18	926-0154	1	/P	Tie, Cable, Push Mount 7.5
19	926-0320	1	/P	Plate, Insulator Nut
20	731-05299A	1		Sleeve, .765 Id x 1.500
21	731-06098	1		Fan, Hydro
22	932-0209	1	/P	Spring, Extension, .48 Od x 2.03
23	732-04606	1		Spring, Extension, .500 Dia x 12.6
24	732-04624	1		Spring, Extension, 1.00 Dia x 4.75
25	732-0716D	1	/P	Spring, Extension, .59 Od x 4.00
26	732-0729	1	/P	Ring, Wire
27	732-3118	1		Spring, Extension, .375 Od x 1.44
28	936-0264	1	/P	Washer, Flat, .330 x .630 x .0635
29	736-04263	1		Washer, Lock, Transmission Hydro
30	936-3008	1	/P	Washer, Flat, .344 x .750 x .120
31	736-3010	1	/P	Washer, Flat, .407x.812x.135, Ht
32	736-0242	1	/P	Washer, Bell, .340 x .872 x .060
33	710-0627	1	/P	Hex Screw, 5/16-24, .750, Gr5, Lock
34	738-04420	1		Spacer, Shoulder, 1.375 x .380 x .183
35	747-04139	1		Rod, Brake, LT Hydro
36	747-04957A	1		Rod, Transmission, Bypass
37	747-04979	1		Rod, Control, Hydro
38	747-04991	1		Rod, Hydro Bypass
39	750-04456	1		Spacer, .260 x .372 x 1.420
40	954-04207	1	/P	Belt, V-Type
41	756-04224	1	/P	Pulley, Idler, Flat 2.75 OD
42	756-04308	1		Pulley, Input, 4.13 Dia
43	756-04325	1	/P	Pulley, Idler, V-Type x 3.06
44	783-06027A	1		Bracket, Idler, Center Double
45	783-06133-0637	1		Bracket, Mount, Hydro
46	783-06260-0637	1		Bracket, Support, Belt Disengage
47	783-1019B	1	/P	Bracket, Actuator, Switch
48	647-04152A	1		Control Assembly, Brake
49	683-04537	1		Bracket Assembly, Pedal, Hydro
50	710-0604A	1	/P	Screw, Self-tapping, 5/16-18, 0.625,
51	711-05068	1		Pin, Clevis, 5/16 x 3.985
52	712-04065	1	/P	Nut, Flange Lock, 3/8-16, Nylon
53	714-04040	1	/P	Pin, Cotter, Bow-Tie 72

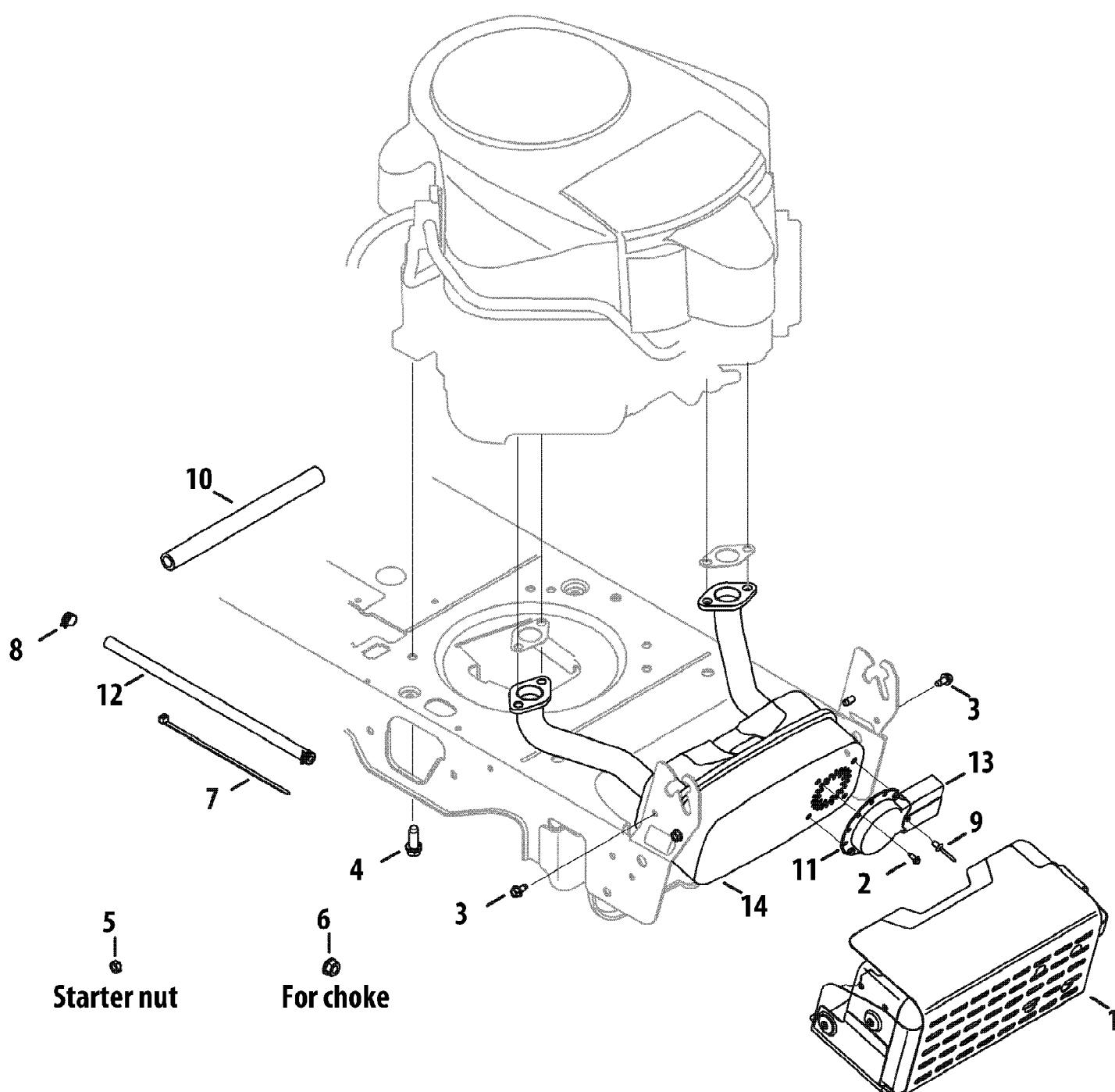
LTX1050KW Tractor  
Drive System

Page 3 of 52

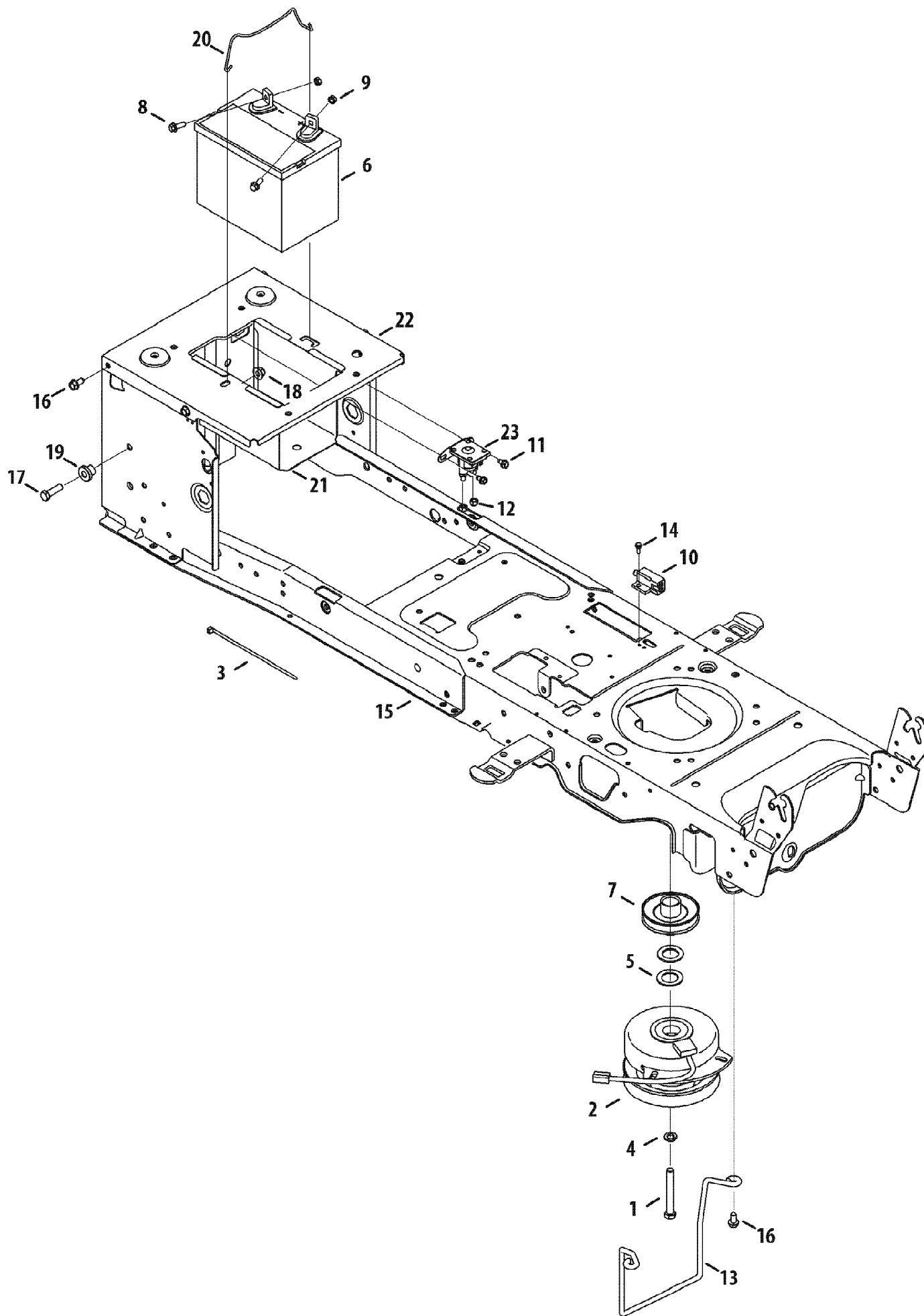
Ref #	Part Number	Qty	S/P/F	Description
54	783-06059-0637	1		Bracket, Pedal, Hydro
55	726-0214	1	/P	Cap, Push 5/8
56	732-04587	1		Spring, Extension, .63 Dia x 4.95
57	735-04136	1		Pad, Pedal, Brake
58	736-0242	1	/P	Washer, Bell, .340 x .872 x .060
59	731-2290A	1	/P	Cap, Hub
60	938-0380	1	/P	Bolt, Shoulder, .500 x .270, 3/8-16
61	741-0495	1	/P	Bearing, Flange, .630 x .695 x .60
62	748-04203	1		Latch, Cruise
63	783-05914	1		Bracket, Support, Pedal Strap
64	783-05940	1		Bracket, Support, Pedal Strap 5/8
65	783-06103A-0637	1		Bracket, Pedal, Brake
66	736-0430	1	/P	Washer, Flat, .350 x 1.59 x .062
67	735-04118A	1	/P	Pad, Pedal, Forward
68	735-04135	1		Pad, Pedal, Reverse

LTX1050KW Tractor  
Electrical Schematic

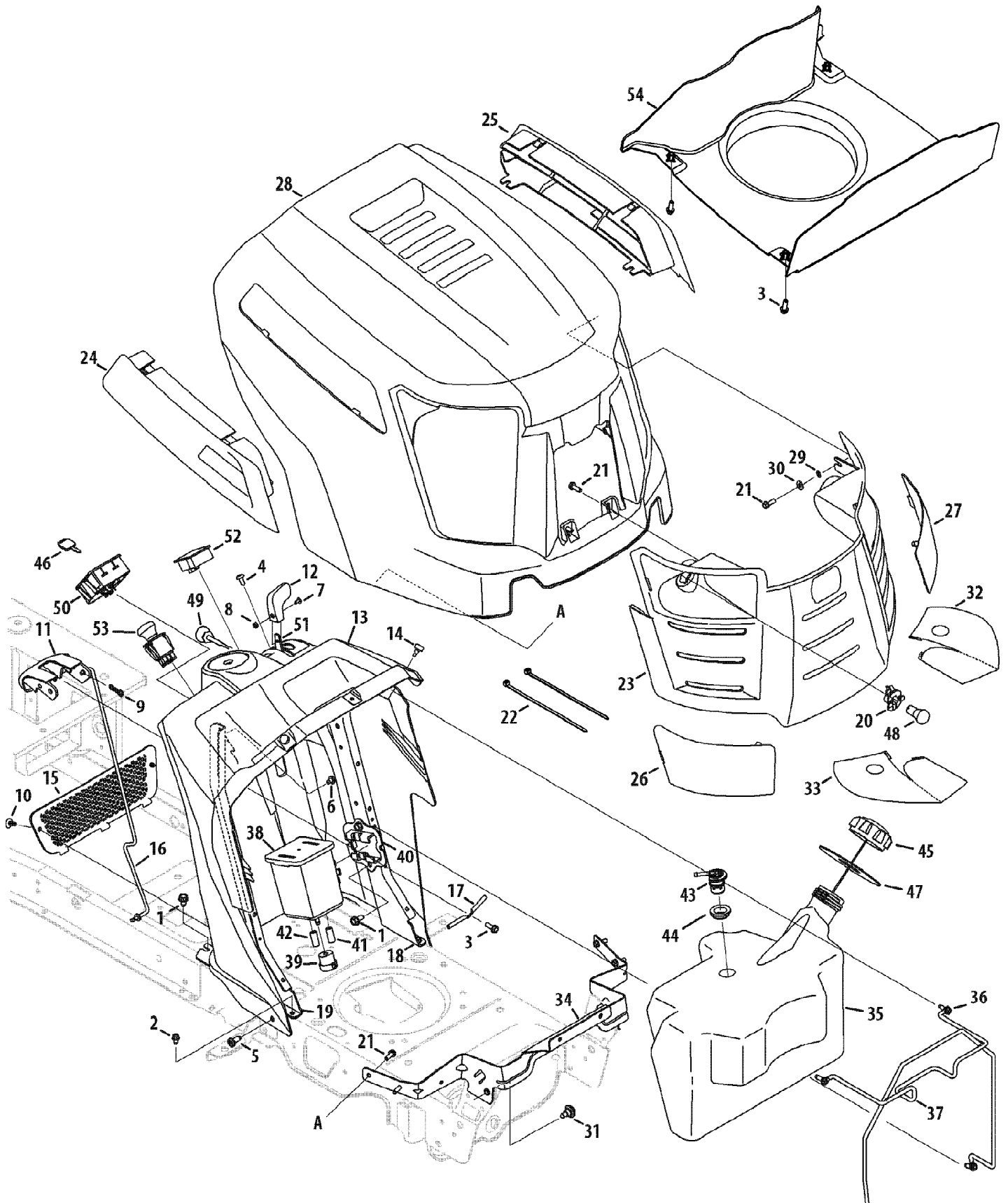




Ref #	Part Number	Qty	S/P/F	Description
1	683-04549-0637	1	/P	Shield Ass'y, Muffler
2	710-0227	1	/P	Screw, Ab, #8-18, 0.500,
3	710-0599	1	/P	Screw, Self-tapping, 1/4-20, 0.500,
4	710-1315	1	/P	Screw, Self-tapping, 3/8-16, 1.25
5	712-0271	1	/P	Nut, Sems, 1/4-20
6	712-3005	1	S	Nut, Flange Lock, 3/8-16
7	725-0157	1	/P	Cable, Tie, 3/16 x .05 x 7.4
8	726-0205	1	/P	Clamp, Hose, .490 Dia.
9	728-04000	1		Rivet, Pop, .188 Dia x .300
10	751-3141-14	1	/P	Hose, Extension, Oil Drain
11	751-0564B	1	/P	Deflector, Muffler
12	751-10349	1		Hose, Fuel, Low Permeation, 1/4
13	751-10353	1		Deflector, Muffler, Long
14	751-11471	1		Muffler, Kawasaki Twin
	KM-49116-7001	1		Oil Drain Valve Not Shown
	KM-670D2016	1		Oil Drain Valve O-ring Not Shown



Ref #	Part Number	Qty	S/P/F	Description
1	710-04379A	1		Hex Screw, 7/16-20, 3.50, Gr5, Lock
2	917-04174A	1	/P	Clutch, Electric PTO
3	725-0157	1	/P	Cable, Tie, 3/16 X .05 X 7.4
4	736-0171	1	S	Washer, Lock, 7/16 , Regular Duty
5	736-0277	1		Washer, Flat, 1.031 X1.620 X.095
6	925-1707D	1	/P	Battery
7	756-0978B	1	/P	Engine Pulley, Electric PTO
8	710-04666	1		Hex Flange Screw, 1/4-20, .75, Gr5
9	712-0271	1	/P	Nut, Sems, 1/4-20
10	725-04363	1		Switch, Interlock
11	710-0653	1	/P	Screw, Self-tapping, 1/4-20, 0.375
12	712-04064	1	/P	Nut, Flange Lock, 1/4-20, Nylon
13	747-05195	1		Rod, Keeper (50")
14	738-04237A	1		Screw, Shoulder, #10-32, .50
15	683-04469A-0637	1		Frame Assembly, Lower
16	710-04484	1		Screw, Self-tapping, 5/16-18, .750
17	710-3005	1	/P	Hex Screw, 3/8-16, 1.25, Gr5, Std
18	712-04065	1	/P	Nut, Flange Lock, 3/8-16, Nylon
19	738-04058	1		Spacer, Shoulder, .38 X 1.0 X .70
20	747-04121A	1		Rod, Battery
21	783-0349-0637	1		Tray, Battery
22	783-06089-0637	1		Bracket, Frame, Seat
23	725-04439	1		Solenoid, 12V, 100 Amp, 4 term
	925-04093	1	/P	Harness Assembly, Main Not Shown



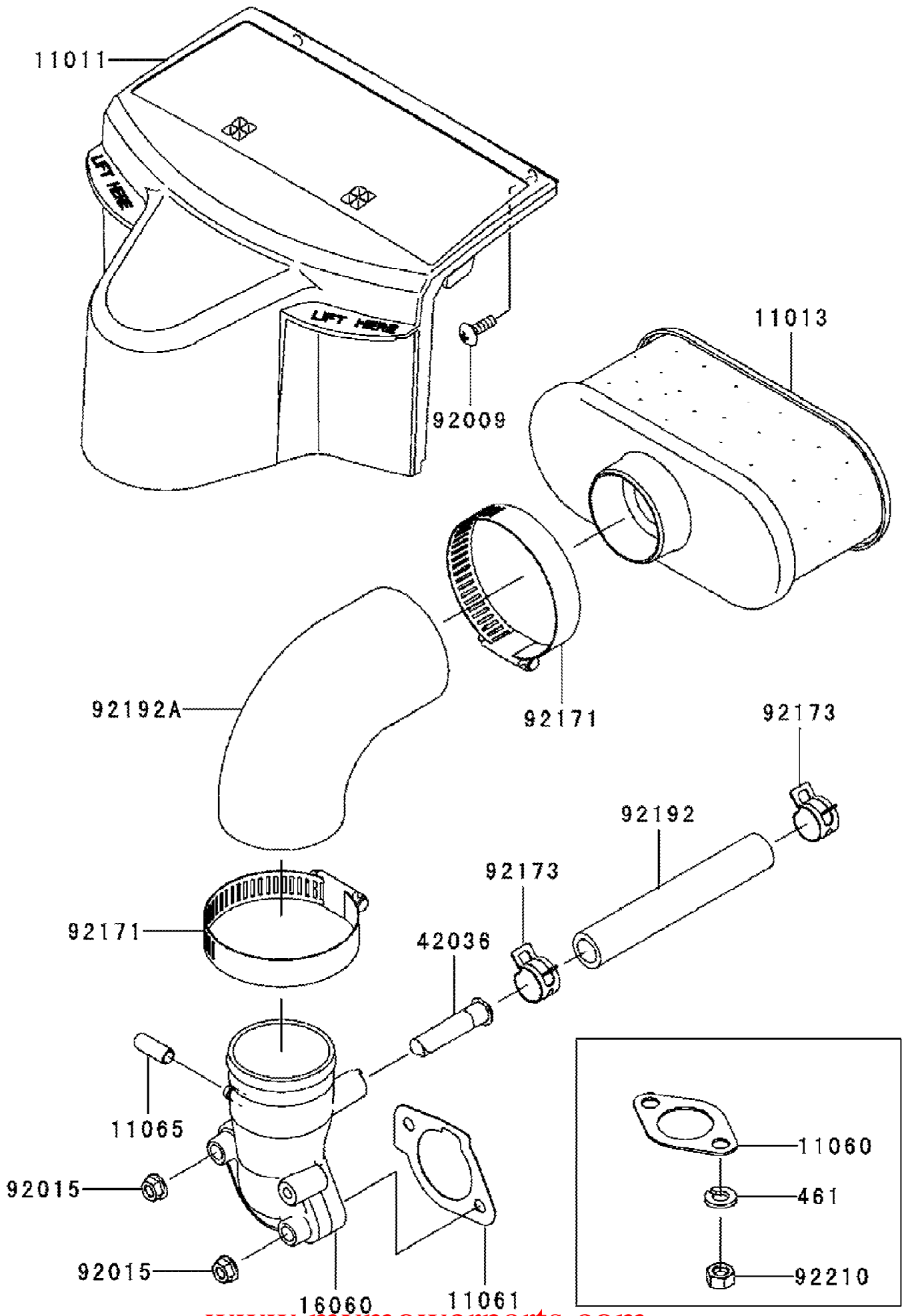
LTX1050KW Tractor  
Fuel Tank, Hood & Dash

Page 10 of 52

Ref #	Part Number	Qty	S/P/F	Description
1	710-04484	1		Screw, Self-tapping, 5/16-18, .750
2	710-0599	1	/P	Screw, Self-tapping, 1/4-20, 0.500
3	710-0895	1		Screw, HL, 1/4-15, 0.750
4	710-1017	1	/P	Screw, Ab, 1/4-14, 0.625,
5	710-1611B	1	/P	Screw, Self-tapping, 5/16-18, 0.750,
6	710-1652	1	/P	Screw, Self-tapping, 1/4-20 x .625
7	710-3217	1	/P	Screw, Mach, #8-32, 0.375
8	712-0142	1	/P	Nut, Hex, #8-32
9	714-04040	1	/P	Pin, Cotter, Bow-Tie 72
10	726-3046	1	/P	Clip, Ratchet, .250 Dia
11	731-05447A	1		Lever, Dash, Cruise/Brake
12	731-06593	1		Knob, Throttle
13	931-06554	1	/P	Dash Panel, A-Style, Elect PTO
14	735-0271A	1	/P	Bumper, .62 Dia X .3
15	735-04076	1		Net
16	747-05009A	1		Rod, Control, Latch Cub
17	747-1196	1		Rod, Lever, Bent
18	783-06098-0637	1		Support, Dash, Plate LH
19	783-06099-0637	1		Support, Dash, Plate RH
20	925-1649	1	/P	Socket, Lamp
21	710-05108	1		Screw, 1/4 Dia, .750
22	926-0154	1	/P	Tie, Cable, Push Mount 7.5 Lg
23	931-04322	1	/P	Grille Ass'y (Incl. 26, 27, 32 & 33)
24	931-06542	1	/P	Scoop, Hood, RH A-Style
25	931-06543	1	/P	Scoop, Hood, LH A-Style
26	931-06558	1	/P	Lens, Hood, RH A-Style
27	931-06559	1	/P	Lens, Hood, LH A-Style
28	931-06634	1	/P	Hood, A-Style
29	936-0222	1	/P	Washer, Lock, 1/4, External
30	936-3020	1	/P	Washer, Flat, .271, .630, .065
31	738-04091A	1	/P	Screw, Shoulder, .43x.29, 5/16-18
32	777X44055	1		Reflector, Cub A Style, LH
33	777X44056	1		Reflector, Cub A Style, RH
34	783-06114-0637	1		Bracket, Pivot, Hood A-Style
35	751-10879	1		Tank, Fuel, 3.75 Gal.
35	751-10906	1		Tank, Fuel, 3.30 Gal. (CA) California
36	710-1652	1	/P	Screw, Self-tapping, 1/4-20, .625
36	710-0642	1	/P	Screw, Self-tapping, 1/4-20, .75 (CA)
37	747-05040A	1	/P	Rod, Support, Fuel Tank
38	951-10589	1	/P	Canister, Carbon, 5 Gallon (CA)
39	951-10590	1	/P	Filter, Vent, Canister (CA)
40	951-10610	1	/P	Bracket, Adapter, Canister (CA)
41	751-10749	1		Hose, Fuel, Low Perm, 3/16 Wht (CA)
42	751-10750-28	1		Hose, Fuel, Low Perm, 7/32 Yel (CA)
43	751-10441	1		Valve, Rollover Grommet (CA)
44	735-04081	1		Grommet, Rubber, 23.0 ID (CA)
45	751-0603A	1	/P	Cap, Fuel
45	951-10947	1	/P	Cap, Fuel (CA)
46	925-2054A	1	/P	Key, Ignition
47	735-04170	1		Gasket, Fuel Tank
48	925-0963	1	/P	Lamp, 12v
49	746-04120	1		Control, Choke, 40.5 x 2, Yellow
50	925-04227B	1	/P	Module Switch, Ignition

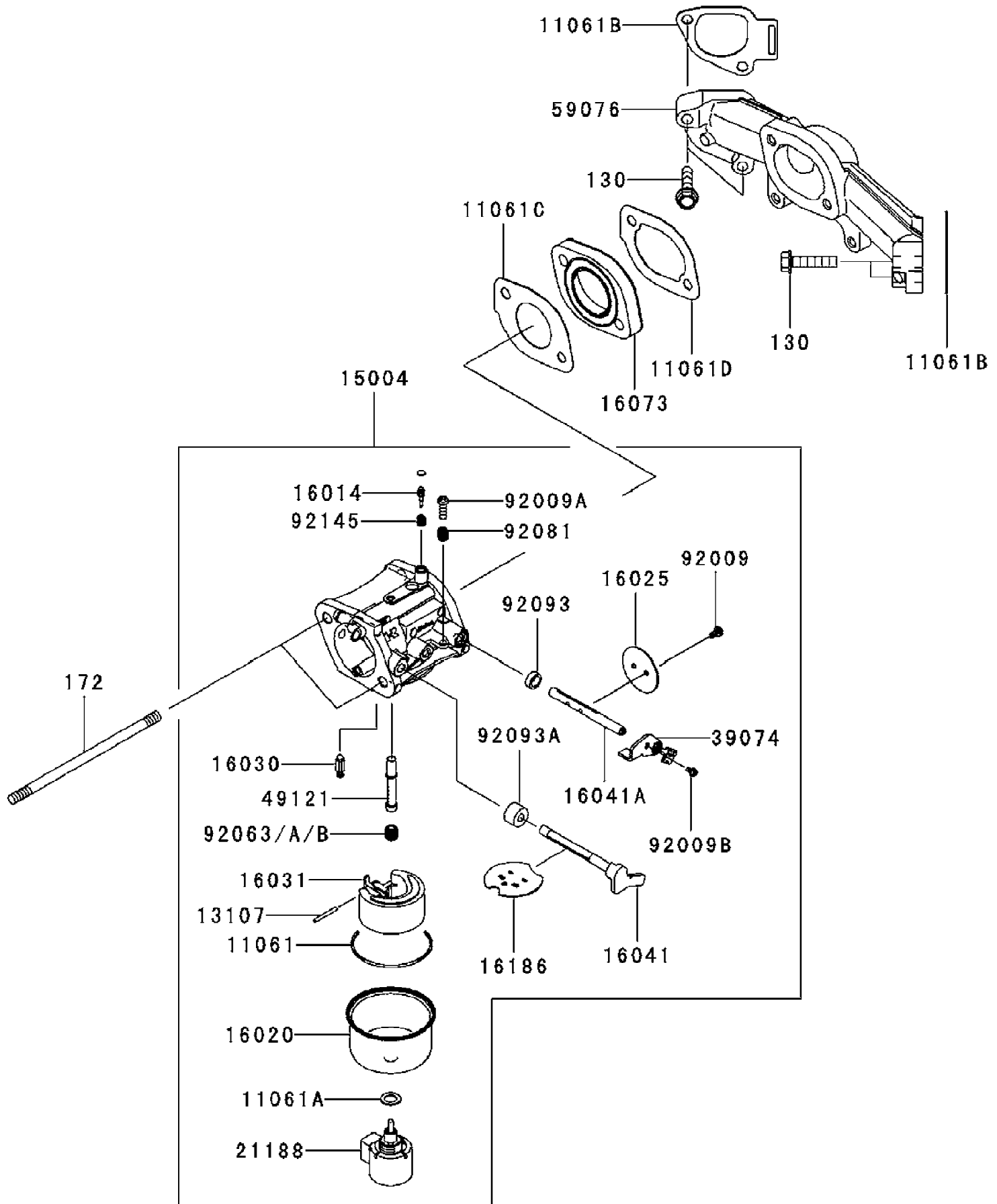
LTX1050KW Tractor  
Fuel Tank, Hood & Dash

Ref #	Part Number	Qty	S/P/F	Description
51	746-1100	1	S	Cable, Throttle, 38"
52	925-04022B	1	/P	Meter, Indicator
53	725-04258	1	/P	Switch, Electric PTO, Yellow
54	731-06936	1		Plenum, A-Style



LTX1050KW Tractor  
Kawasaki FR651V Air Filter & Muffler

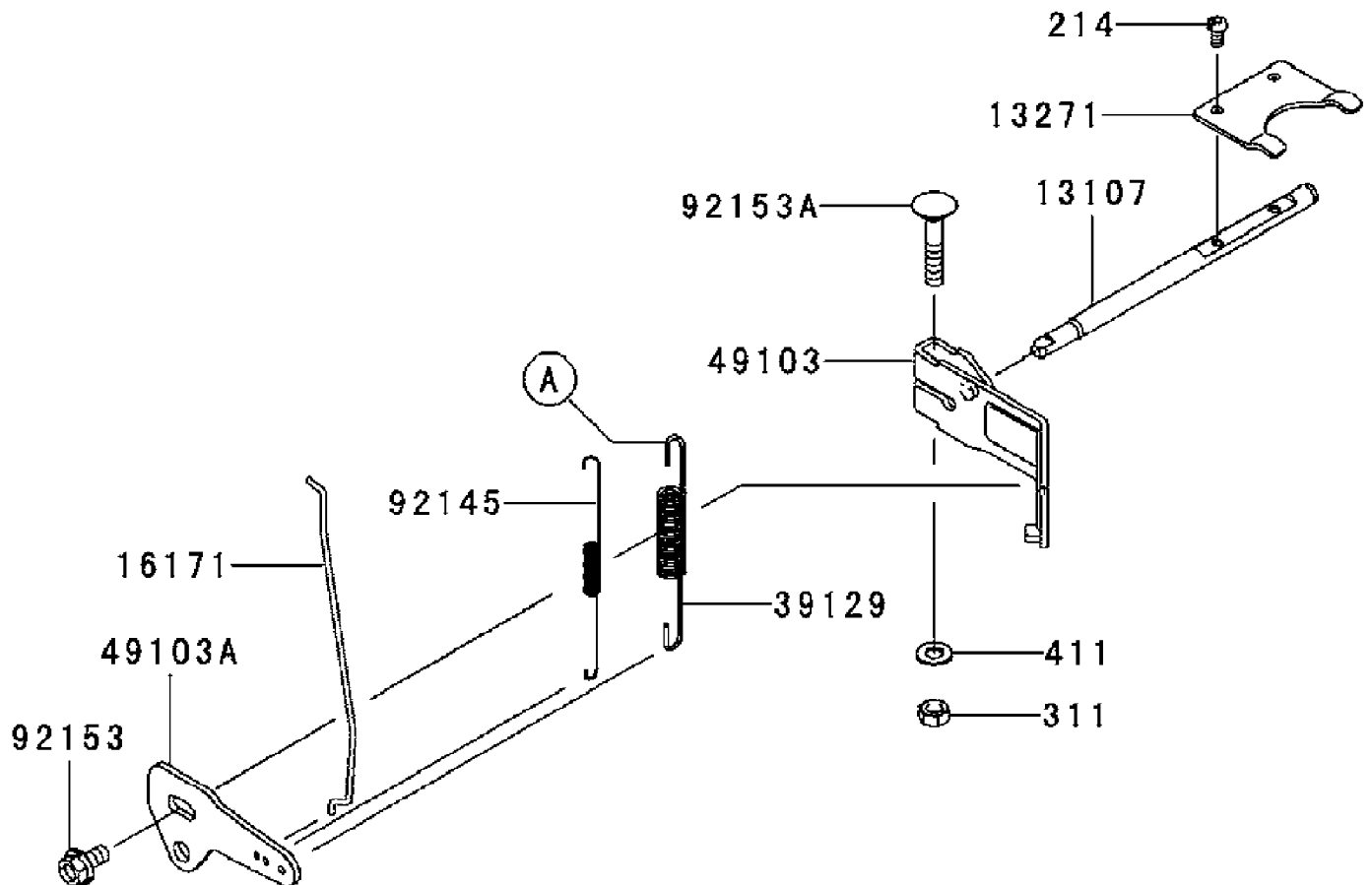
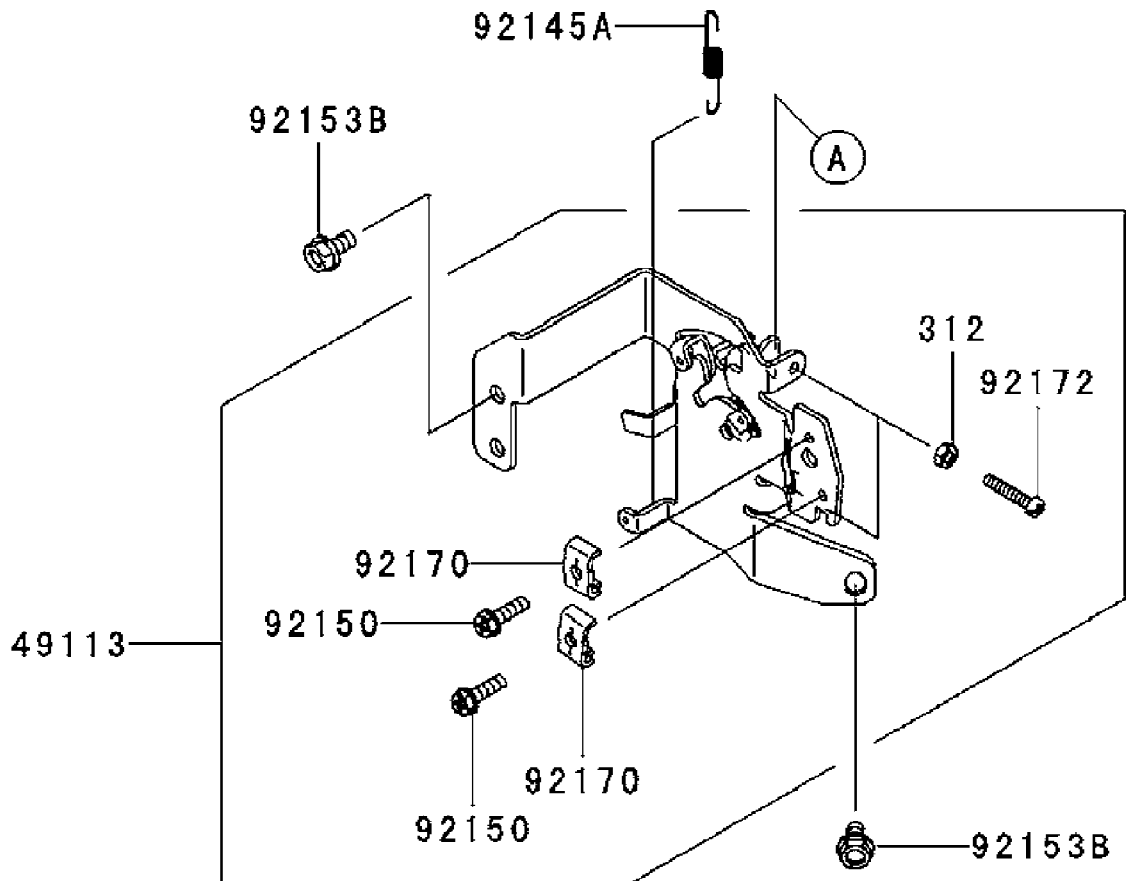
Ref #	Part Number	Qty	S/P/F	Description
11011	KM-11011-7054	1		Air Filter Case
11013	KM-11013-7047	1	S	Air Filter Element
11060	KM-11060-7016	1		Muffler Gasket
11061	KM-11061-7086	1		Carburetor/Intake Pipe Gasket
11065	KM-11065-7023	1		Cap
16060	KM-16060-7038	1		Intake Pipe
42036	KM-42036-7017	1		Breather Sleeve
92009	KM-92009-2303	1		Screw
92015	KM-92015-1367	1		Nut
92171	KM-92171-7007	1		Clamp
92173	KM-92173-7003	1		Clamp
92192	KM-92192-7146	1		Tube, 12.6 x 18.6 x 118
92192A	KM-92192-7151	1	S	Air Filter Tube
92210	KM-92210-7027	1		Nut, M8
461	KM-461DA0800	1	/P	Spring Washer, 8mm



LTX1050KW Tractor  
Kawasaki FR651V Carburetor

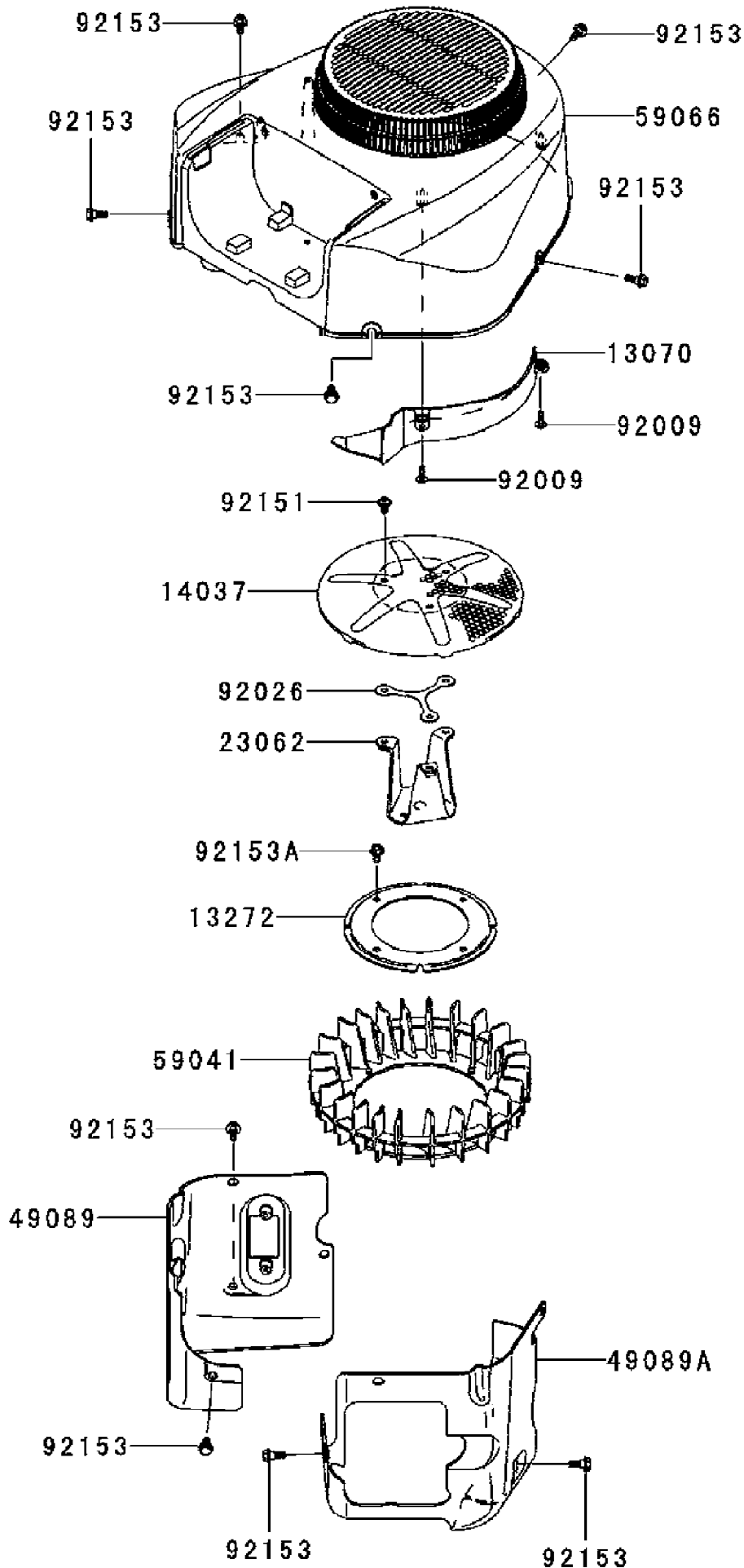
Page 15 of 52

Ref #	Part Number	Qty	S/P/F	Description
11061	KM-11061-7009	1		Chamber Gasket
11061A	KM-11061-7010	1		Screw Gasket
11061B	KM-11061-7085	1		Manifold Gasket
11061C	KM-11061-7087	1		Insulator Gasket
11061D	KM-11061-7088	1		Insulator/Manifold Gasket
13107	KM-13107-7018	1		Shaft
15004	KM-15004-7062	1		Carburetor Assembly
16014	KM-16014-7010	1		Pilot Air Screw
16020	KM-16020-7003	1		Float Chamber
16025	KM-16025-7017	1		Throttle Valve
16030	KM-16030-7003	1		Float Valve
16031	KM-16031-7002	1		Float
16041	KM-16041-7050	1		Choke Carburetor Shaft
16041A	KM-16041-7051	1		Throttle Carburetor Shaft
16073	KM-16073-7013	1		Insulator
16186	KM-16186-7006	1		Choke Valve Assembly
21188	KM-21188-7002	1		Solenoid
39074	KM-39074-7001	1		Throttle Lever Assembly
49121	KM-49121-7018	1		Main Nozzle
59076	KM-59076-7019	1		Intake Manifold
92009	KM-92009-2083	1		Screw
92009A	KM-92009-2349	1		Screw
92009B	KM-92009-2402	1		Screw
92063	KM-92063-7141	1		Main Jet, #122
92063A	KM-92063-7142	1		Main Jet, #124
92063B	KM-92063-7149	1		Main Jet, #120
92081	KM-92081-2234	1		Spring
92093	KM-92093-2100	1		Seal
92093A	KM-92093-7003	1		Seal
92145	KM-92145-2122	1		Spring
130	KM-130AA0630	1		Flanged Bolt, 6 X 30
172	KM-172BA06115	1		Stud Bolt, 6 X 115



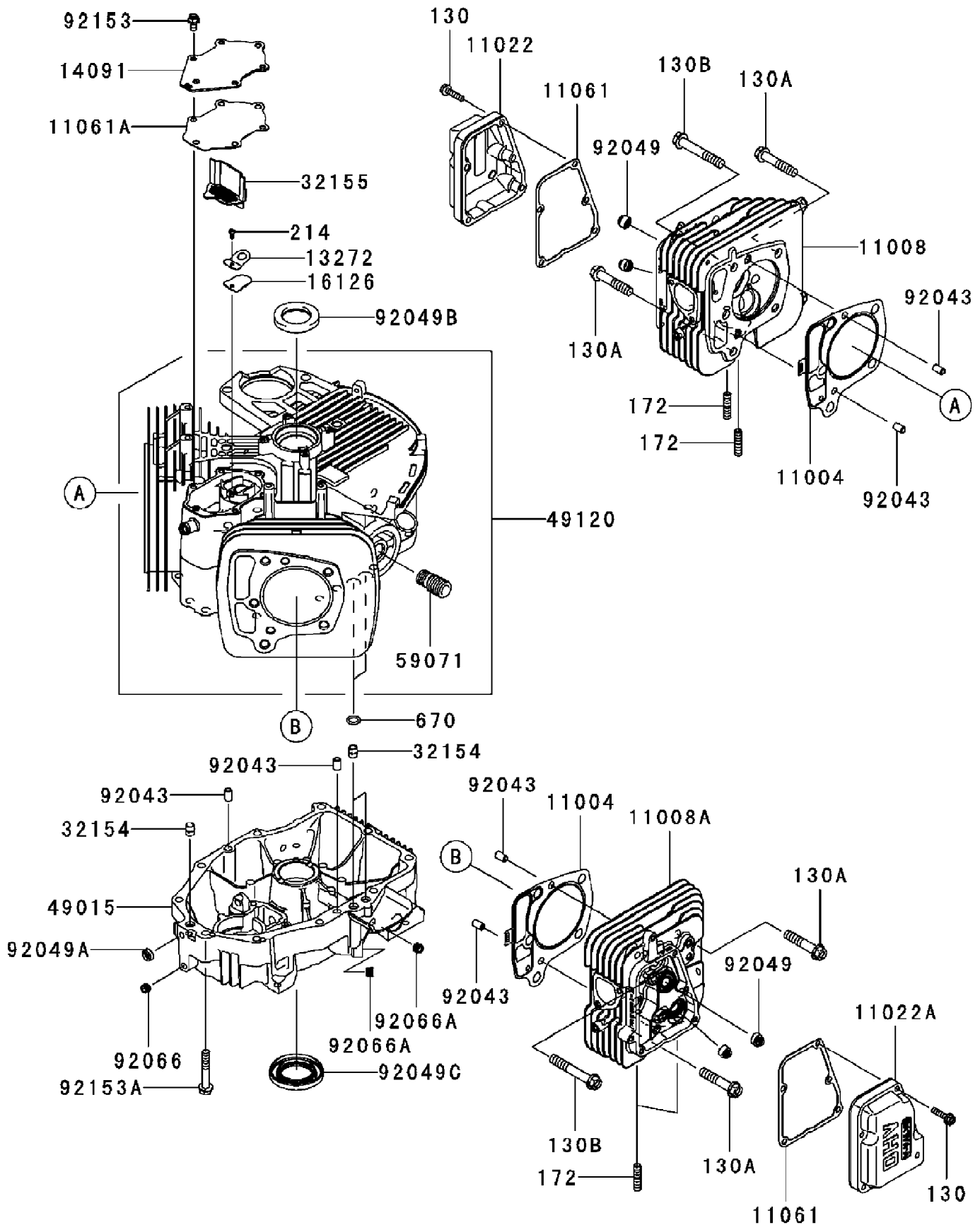
LTX1050KW Tractor  
Kawasaki FR651V Control Equipment

Ref #	Part Number	Qty	S/P/F	Description
13107	KM-13107-7047	1		Shaft
13271	KM-13271-7038	1		Plate
16171	KM-16171-7022	1		Link
39129	KM-39129-7028	1	S	Governor Spring
49103	KM-49103-7014	1		Governor Arm
49103A	KM-49103-7015	1		Governor Arm
49113	KM-49113-7050	1		Complete Control Panel
92145	KM-92145-7057	1		Spring
92145A	KM-92145-7058	1		Spring
92150	KM-92150-2182	1	/P	Bolt, 5 X 18
92153	KM-92153-0009	1		Bolt, 6 X 12
92153A	KM-92153-7033	1		Bolt, 6 X 35
92153B	KM-92153-7043	1		Bolt, 6 X 12
92170	KM-92170-7001	1		Clamp
92172	KM-92172-7035	1		Screw, 5 X 30
214	KM-214AA0408	1	/P	Pan Screw, 4 X 8
311	KM-311AA0600	1	/P	Hex Nut, 6mm
312	KM-312AA0500	1		Hex Nut, 5mm
411	KM-411AA0600	1		Plain Washer, 6mm



LTX1050KW Tractor  
Kawasaki FR651V Cooling Equipment

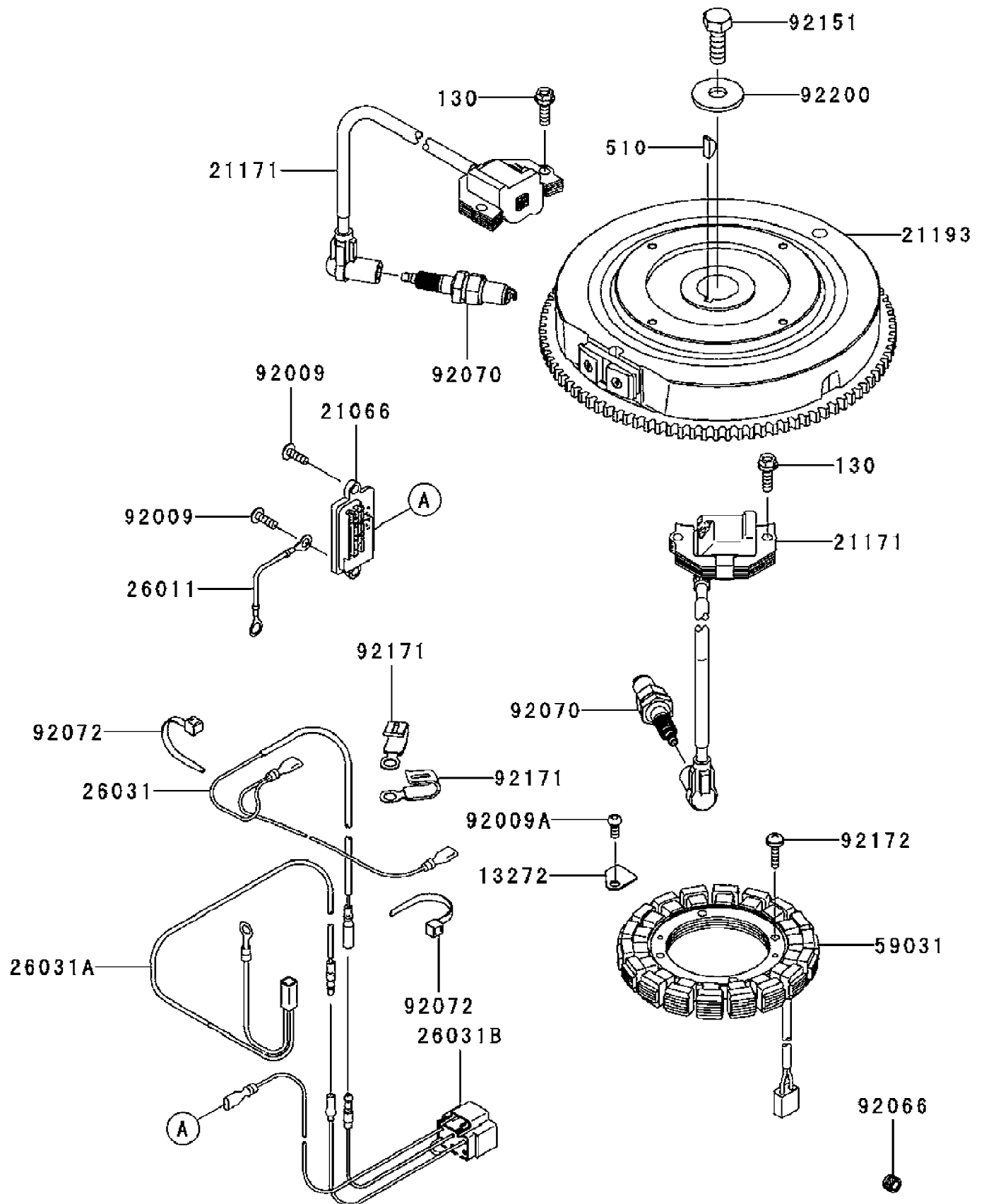
Ref #	Part Number	Qty	S/P/F	Description
13070	KM-13070-7019	1		Cooling Air Guide
13272	KM-13272-7006	1		Fan Plate
14037	KM-14037-70089H	1		Screen
23062	KM-23062-7005	1		Complete Bracket
49089	KM-49089-7079	1		Engine Shroud
49089A	KM-49089-7080	1		Engine Shroud
59041	KM-59041-7014	1		Fan
59066	KM-59066-7046	1	S	Fan Housing
92009	KM-92009-2303	1		Screw
92026	KM-92026-7007	1	/P	Spacer
92151	KM-92151-7012	1		Bolt, 6 X 12
92153	KM-92153-7007	1		Bolt
92153A	KM-92153-7043	1		Bolt, 6 X 12



LTX1050KW Tractor  
Kawasaki FR651V Cylinder & Crankcase

Page 21 of 52

Ref #	Part Number	Qty	S/P/F	Description
11004	KM-11004-7026	1		Head Gasket
11008	KM-11008-7039	1		Complete Cylinder Head, #1
11008A	KM-11008-7040	1		Complete Cylinder Head, #2
11022	KM-11022-7019	1		Rocker Case, #1
11022A	KM-11022-7020	1		Rocker Case, #2
11061	KM-11061-7083	1		Rocker Case Gasket
11061A	KM-11061-7084	1		Breather Gasket
13272	KM-13272-7004	1		Breather Plate
14091	KM-14091-7064	1		Breather Cover
16126	KM-16126-7020	1		Breather Valve
32154	KM-32154-7019	1		Pipe
32155	KM-32155-7003	1		Breather Pipe
49015	KM-49015-7079	1		Crankcase Cover
49120	KM-49120-7122	1		Complete Crankcase
59071	KM-59071-2079	1		Joint
92043	KM-92043-1263	1		Pin
92049	KM-92049-7001	1	/P	Oil Seal, RVC2, 6 X 11 X 10.2
92049A	KM-92049-7005	1		Oil Seal, So 8 X 14 X 5 HS
92049B	KM-92049-7010	1	/P	Oil Seal, Sd 35 X 48 X 8 R HS
92049C	KM-92049-7028	1		Oil Seal, 38 X 62 X 8 MTCLV
92066	KM-92066-7023	1		Plug
92066A	KM-92066-7026	1		Plug
92153	KM-92153-7043	1		Bolt, 6 X 12
92153A	KM-92153-7054	1		Bolt, 8 X 50
130	KM-130AA0625	1		Flanged Bolt, 6 X 25
130A	KM-130CA1050	1		Flanged Bolt, 10 X 50
130B	KM-130CA1065	1		Flanged Bolt, 10 X 65
172	KM-172BA0818	1		Stud Bolt , 8 X 18
214	KM-214AA0408	1	/P	Pan Screw, 4 X 8
670	KM-670B2011	1		O-Ring, 11mm




LTX1050KW Tractor  
Kawasaki FR651V Electric Equipment

Ref #	Part Number	Qty	S/P/F	Description
13272	KM-13272-7012	1		Plate
21066	KM-21066-7017	1		Voltage Regulator
21171	KM-21171-7041	1		Ignition Coil Assembly
21193	KM-21193-7038	1		Flywheel Assembly
26011	KM-26011-7025	1		Lead Wire, L = 95
26031	KM-26031-7040	1		Harness
26031A	KM-26031-7041	1		Harness
26031B	KM-26031-7044	1		Harness
59031	KM-59031-7017	1		Charging Coil
92009	KM-92009-2303	1		Screw
92009A	KM-92009-2308	1		Screw
92066	KM-92066-7026	1		Plug
92070	KM-BPR4ES	1	/P	Spark Plug, BPR4ES (NGK)
92072	KM-92072-7003	1		Band
92151	KM-92151-2097	1		Bolt, 12 X 30
92171	KM-92171-7008	1		Clamp
92172	KM-92172-7018	1		Screw, 5 X 20
92200	KM-92200-7002	1		Washer
130	KM-130AA0620	1		Flanged Bolt, 6 X 20
510	KM-510A5100	1		Woodruff Key

56033

**ENGINE MAINTENANCE**




1. CHECK OIL LEVEL
2. CHECK & CLEAN AIR CLEANER
3. CLEAN FINS & SCREEN
4. CHANGE OIL & OIL FILTER

REFER TO OWNER'S MANUAL FOR FURTHER INFORMATION

56070

**▲ WARNING**



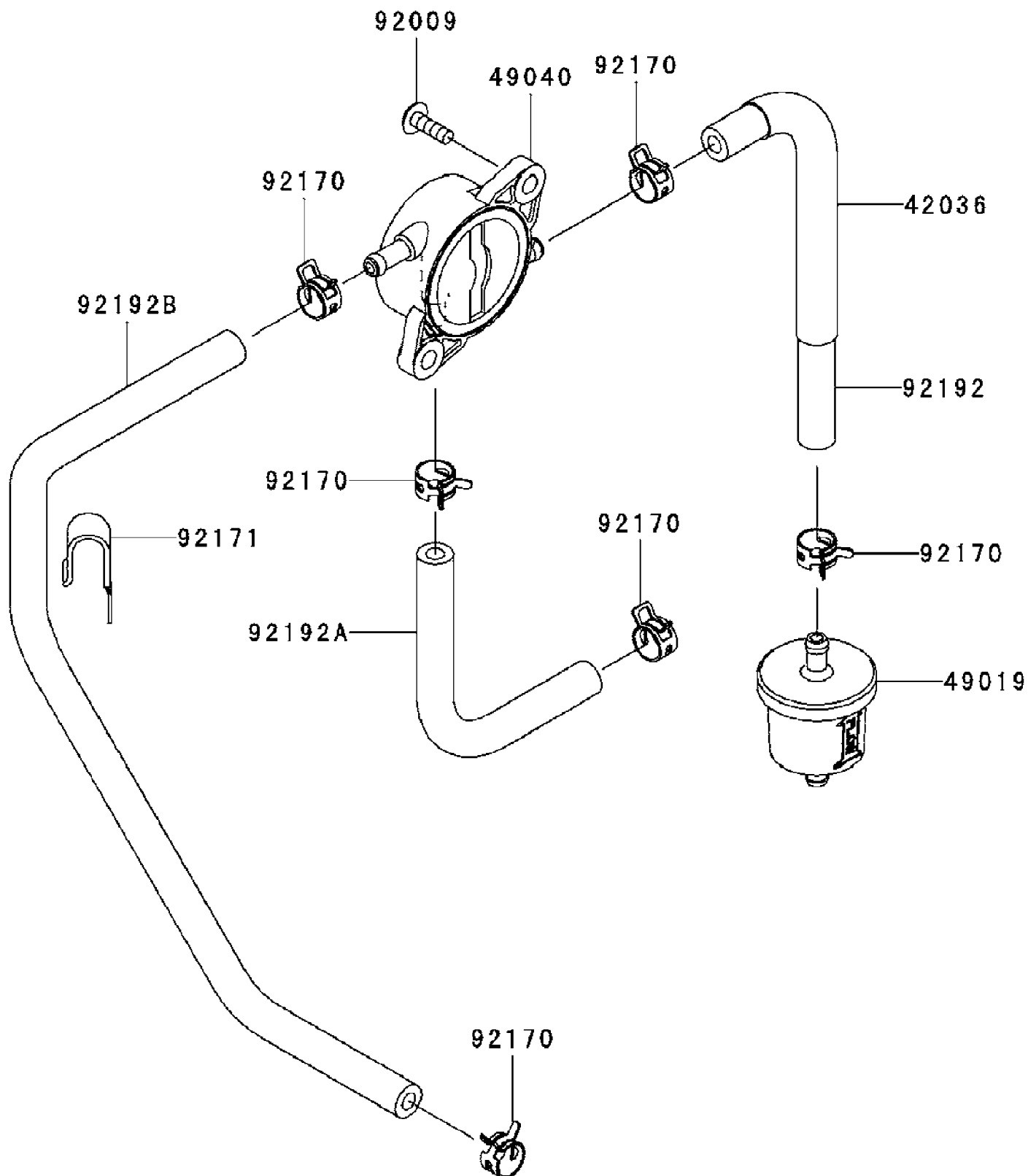
- \* FOR SAFE OPERATION READ OWNER'S MANUAL.
- \* GASOLINE IS FLAMMABLE. KEEP AWAY FROM FLAME OR SPARKS.
- \* EXHAUST GAS IS POISONOUS. DO NOT RUN ENGINE IN AN ENCLOSED AREA.
- \* TO AVOID BURN, DO NOT TOUCH HOT MUFFLER.

LTX1050KW Tractor  
Kawasaki FR651V Engine Labels

---

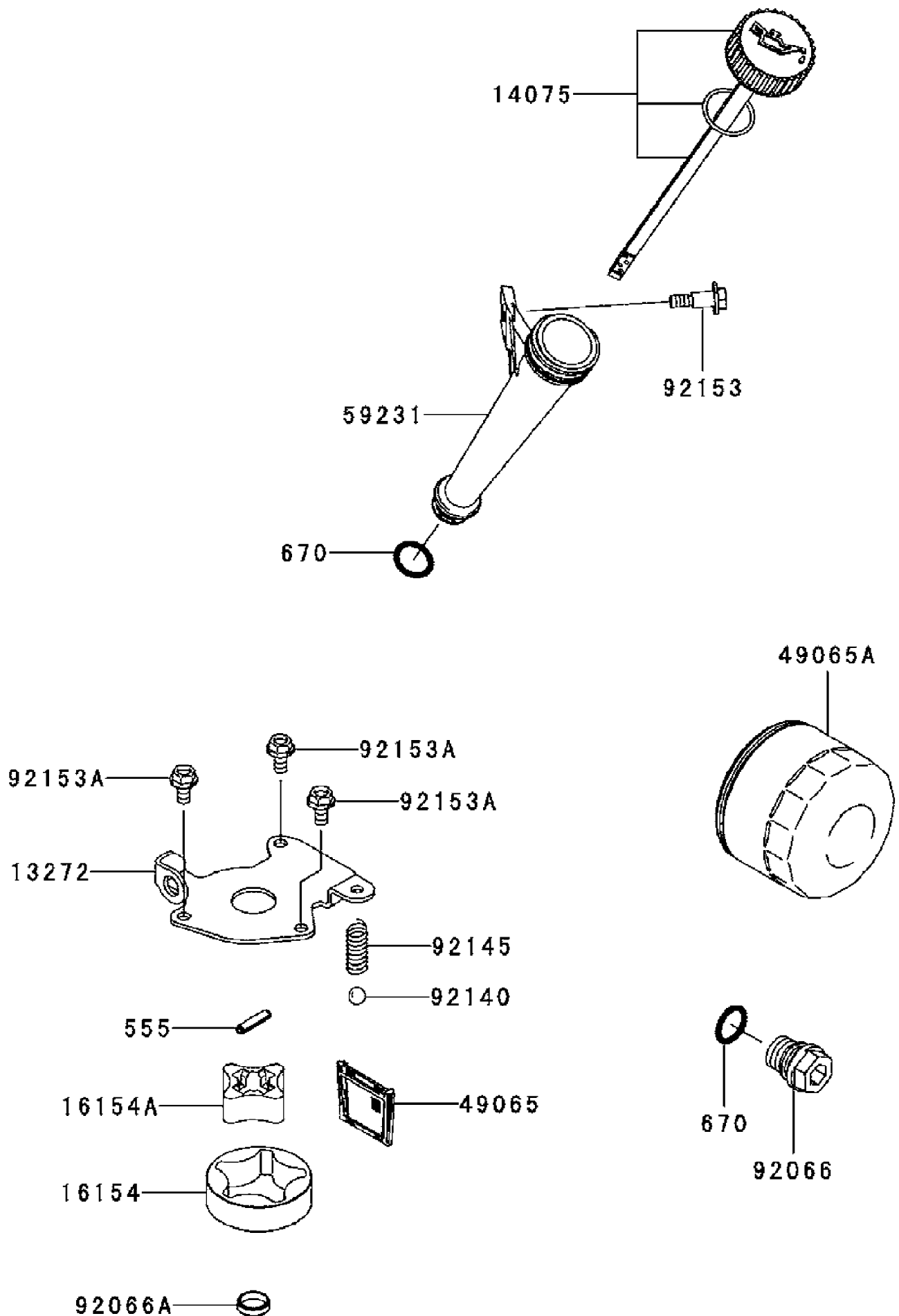
Ref #	Part Number	Qty	S/P/F	Description
56033	KM-56033-7001	1		Manual Label
56070	KM-56070-7001	1		Warning Label

---



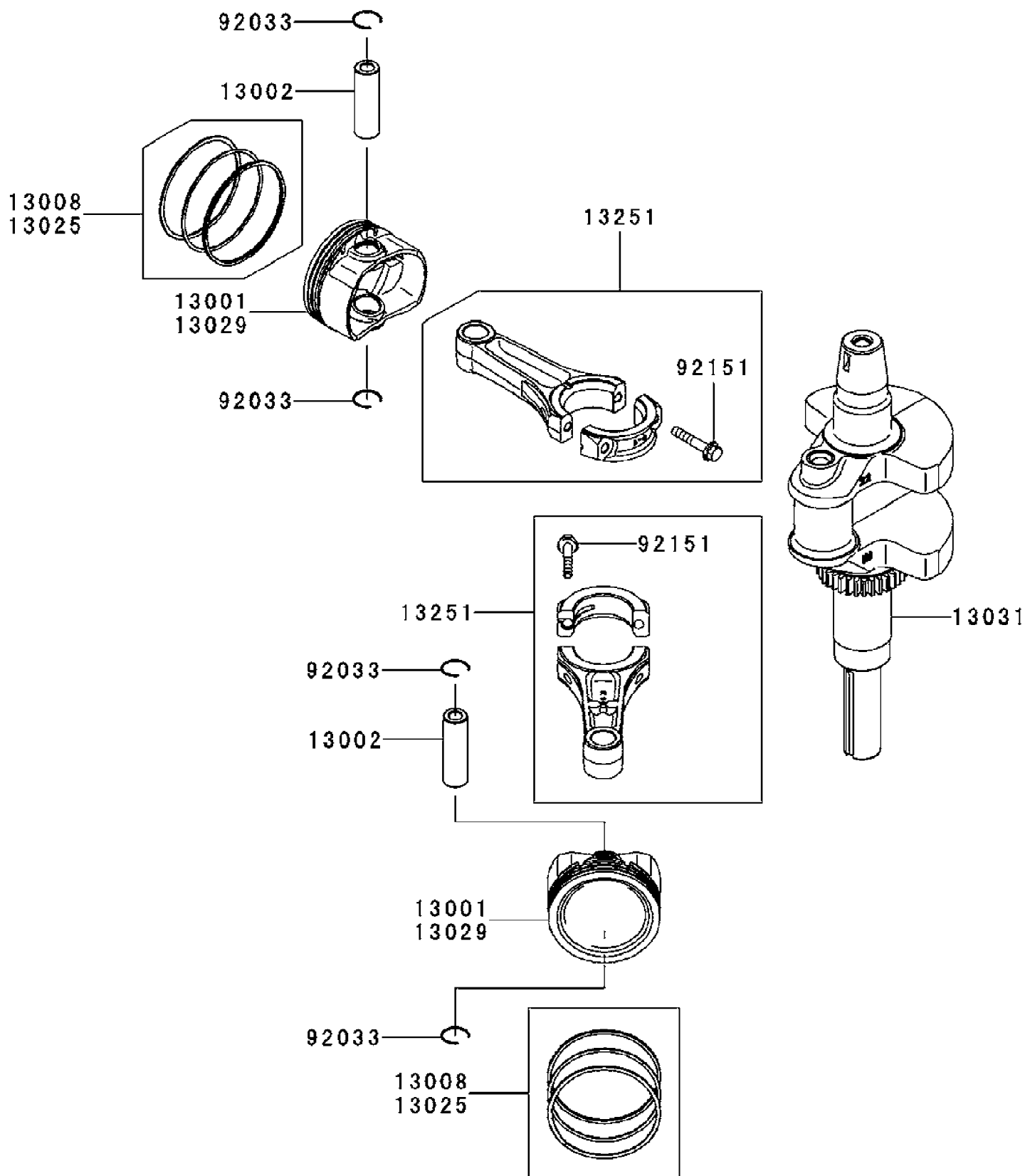
LTX1050KW Tractor  
Kawasaki FR651V Fuel Tank & Fuel Valve

Ref #	Part Number	Qty	S/P/F	Description
42036	KM-42036-7015	1		Sleeve
49019	KM-49019-7001	1	S	Fuel Filter
49040	KM-49040-7008	1		Fuel Pump
92009	KM-92009-2303	1		Screw
92170	KM-92170-2009	1		Clamp
92171	KM-92171-7008	1		Clamp
92192	KM-92192-7145	1		Tube, 6.35 X 12.7 X 185
92192A	KM-92192-7148	1		Tube, 6.4 X 12.7 X 150
92192B	KM-92192-7150	1	S	Tube, 6.35 X 12.7 X 390



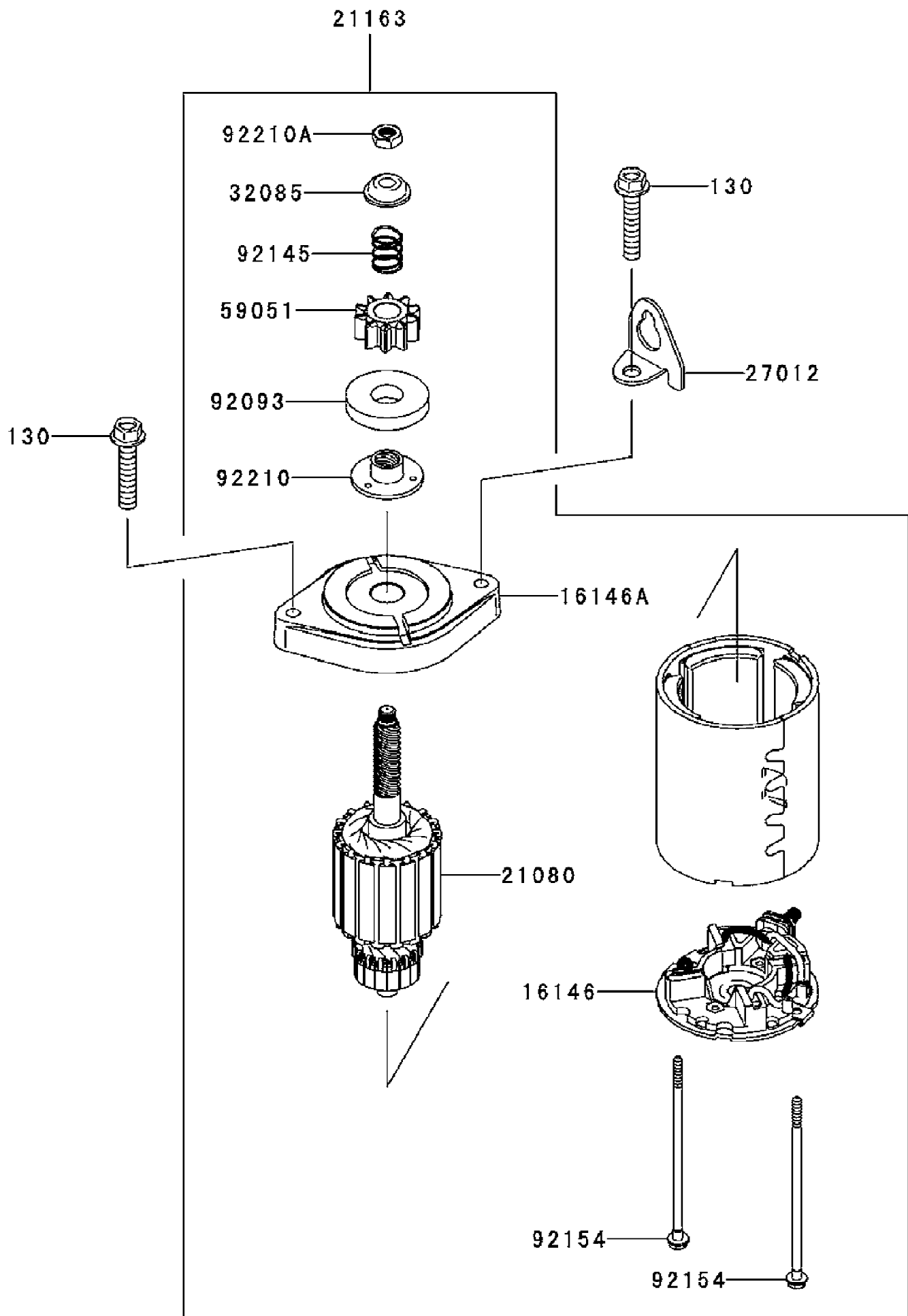
LTX1050KW Tractor  
Kawasaki FR651V Lubrication Equipment

Ref #	Part Number	Qty	S/P/F	Description
13272	KM-13272-7011	1		Rotor Plate
14075	KM-14075-7013	1		Oil Gauge Cap Assembly
16154	KM-16154-7010	1		Outer Rotor Pump
16154A	KM-16154-7011	1		Inner Rotor Pump
49065	KM-49065-7006	1		Oil Filter screen
49065A	KM-49065-7007	1		Oil Filter
59231	KM-59231-7016	1		Filler
92066	KM-92066-7003	1		Plug
92066A	KM-92066-7028	1		Plug
92140	KM-92140-7003	1		Ball
92145	KM-92145-7002	1		Spring
92153	KM-92153-7008	1		Bolt
92153A	KM-92153-7043	1		Bolt, 6 X 12
555	KM-555A0420	1		Spring Pin, 4 X 20
670	KM-670D2016	1		O-Ring, 16mm



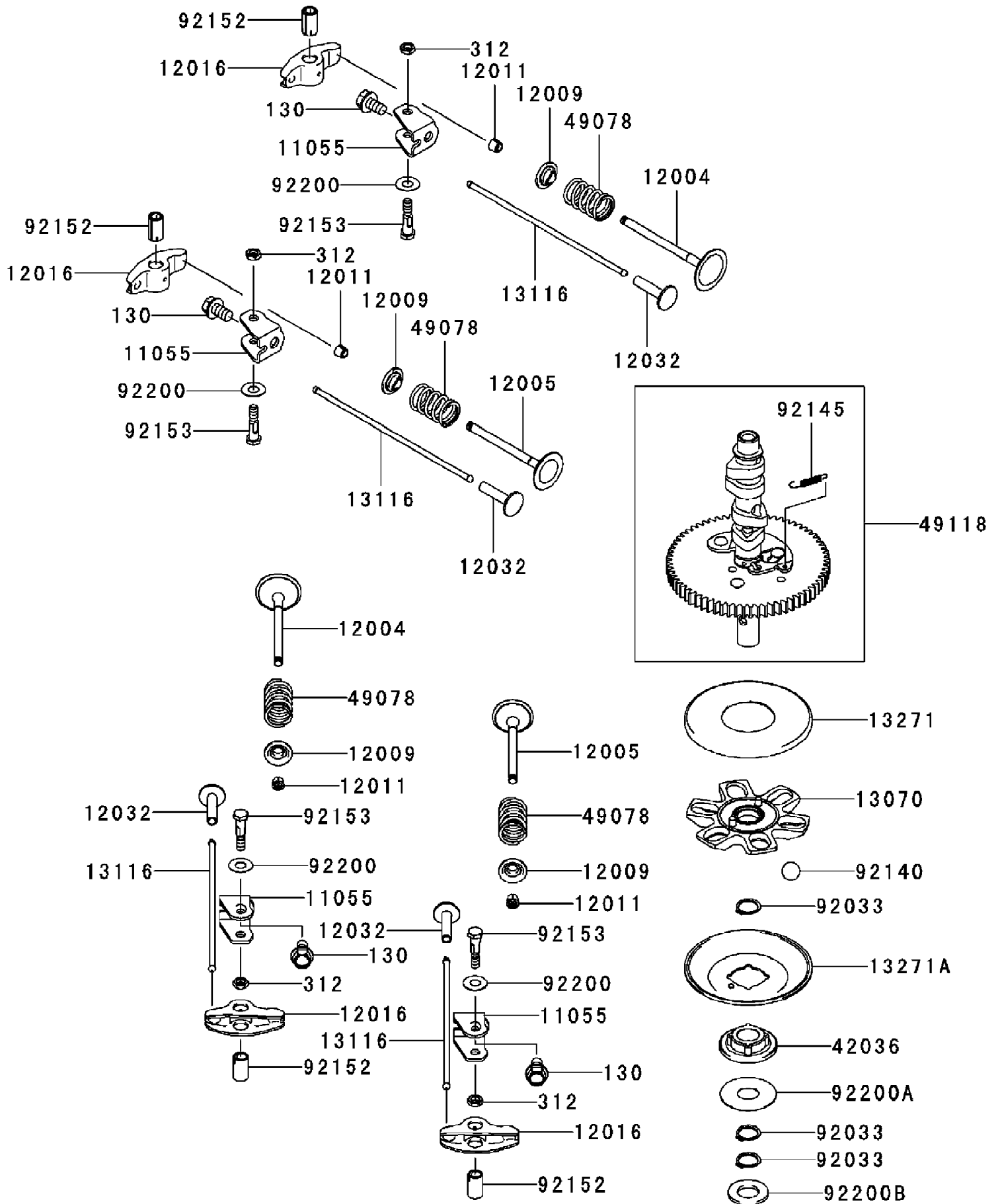
LTX1050KW Tractor  
Kawasaki FR651V Piston & Crankshaft

Ref #	Part Number	Qty	S/P/F	Description
13001	KM-13001-7027	1		Engine Piston
13002	KM-13002-7006	1		Piston Pin
13008	KM-13008-7005	1		Piston Ring Set
13025	KM-13025-7009	1		Piston Ring Set L, 0.5
13029	KM-13029-7010	1		Engine Piston L, 0.5
13031	KM-13031-7084	1		Complete Crankshaft
13251	KM-13251-7025	1		Connecting Rod Assembly
92033	KM-92033-7016	1		Snap Ring
92151	KM-92151-7017	1		Bolt, 6 X 35



LTX1050KW Tractor  
Kawasaki FR651V Starter

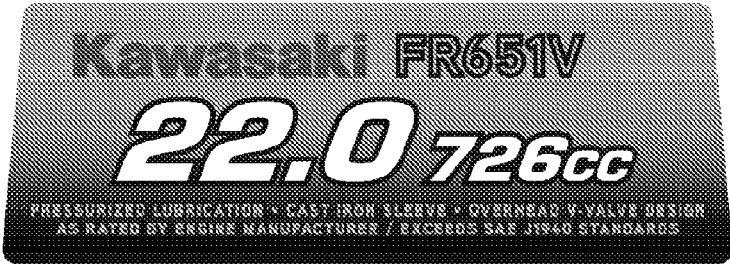
Ref #	Part Number	Qty	S/P/F	Description
16146	KM-16146-7027	1		Cover Assembly
16146A	KM-16146-7028	1		Cover Assembly
21080	KM-21080-7006	1		Armature
21163	KM-21163-7024	1	S	Electric Starter
27012	KM-27012-7004	1		Hook
32085	KM-32085-7005	1	S	Stopper
59051	KM-59051-7034	1		Spur Gear
92093	KM-92093-7007	1		Seal
92145	KM-92145-7060	1		Spring
92154	KM-92154-7001	1		Bolt
92210	KM-92210-7017	1		Nut
92210A	KM-92210-7036	1	S	Nut
130	KM-130AA0840	1		Flanged Bolt, 8 x 40



LTX1050KW Tractor  
Kawasaki FR651V Valve & Camshaft

Ref #	Part Number	Qty	S/P/F	Description
11055	KM-11055-7009	1		Bracket
12004	KM-12004-7008	1		Intake Valve
12005	KM-12005-7009	1		Exhaust Valve
12009	KM-12009-7001	1		Valve Spring Retainer
12011	KM-12011-2056	1		Collet
12016	KM-12016-2066	1		Rocker Arm
12032	KM-12032-7001	1		Tappet
13070	KM-13070-7017	1		Governor Guide
13116	KM-13116-7007	1		Push Rod
13271	KM-13271-7007	1	/P	Plate
13271A	KM-13271-7021	1	/P	Governor Plate
42036	KM-42036-7010	1	/P	Sleeve
49078	KM-49078-7002	1		Engine Valve Spring, IN
49118	KM-49118-7022	1		Complete Camshaft
92033	KM-92033-7001	1		Snap Ring
92140	KM-92140-7005	1	/P	Ball
92145	KM-92145-7001	1		Spring
92152	KM-92152-7012	1		Collar
92153	KM-92153-7100	1		Bolt, 6 X 29.5
92200	KM-92200-2151	1		Washer, 8.1 X 18 X 0.5
92200A	KM-92200-7009	1		Washer, 16 X 42 X 0.91
92200B	KM-92200-7048	1		Washer, 16.3 X 30 X 2.28
130	KM-130AA0814	1		Flanged Bolt, 8 X 14
312	KM-312AA0600	1		Hex Nut, 6mm

777D14107



777D12864



777122679



777123293



777D12928



777S 33233

**⚠ DANGER**  
**ROTATING BLADES CAUSE SERIOUS INJURY OR DEATH**

- DO NOT MOW WHEN CHILDREN OR OTHERS ARE AROUND.
- NEVER CARRY CHILDREN EVEN WITH BLADE(S) OFF.
- LOOK DOWN AND BEHIND BEFORE AND WHILE BACKING.
- MOWING IN REVERSE IS NOT RECOMMENDED.

**⚠ WARNING**  
**TO AVOID SERIOUS INJURY OR DEATH**

- GO UP AND DOWN SLOPES, NOT ACROSS.
- AVOID SUDDEN TURNS.
- DO NOT OPERATE THE UNIT WHERE IT COULD SLIP OR TIP.
- IF MACHINE STOPS GOING UPHILL, STOP BLADE(S) AND BACK DOWNHILL SLOWLY.
- KEEP SAFETY DEVICES (GUARDS, SHIELDS, AND SWITCHES, ETC.) IN PLACE AND WORKING.
- REMOVE OBJECTS THAT COULD BE THROWN BY THE BLADE(S).
- KNOW LOCATION AND FUNCTION OF ALL CONTROLS.
- BE SURE BLADE(S) AND ENGINE ARE STOPPED BEFORE PLACING HANDS OR FEET NEAR BLADE(S).
- BEFORE LEAVING OPERATOR'S POSITION, DISENGAGE BLADE(S), ENGAGE PARKING BRAKE, SHUT OFF AND REMOVE KEY.

**READ OPERATOR'S MANUAL**

**⚠ WARNING**  
Operation of This Equipment May Create Sparks That Can Start Fires Around Dry Vegetation. A Spark Arrestor May Be Required. The Operator Should Contact Local Fire Agencies For Laws Or Regulations To Fire Prevention Requirements.

**TO START**

- DISENGAGE BLADE(S) (POWER TAKE OFF)
- ENGAGE THE TRACTOR'S PARKING BRAKE.
- ACTIVATE THE CHOKE SWITCHES.
- TURN KEY TO START ENGINE. AFTER START RELEASE KEY & DEACTIVATE CHOKE BY PLACING THROTTLE TO FAST "IDLE" POSITION.

**OPERATING MODES**

**NORMAL MOWING**  
YOU MUST DISENGAGE BLADE(S) (POWER TAKE OFF) BEFORE TRAVELING IN REVERSE.

**REVERSE CAUTION MODE**

- TURN KEY TO REVERSE CAUTION MODE POSITION.
- DEPRESS REVERSE PUSH BUTTON. (RED INDICATOR LIGHT "ON") WHEN RED LIGHT IS "ON" MACHINES CAN BE OPERATED IN REVERSE WITH NO WEAR BLADES ENGAGED.
- IF YOU WANT TO STOP REVERSE, DEPRESS REVERSE PUSH BUTTON.
- AFTER RESUMING FORWARD OPERATION, RETURN KEY TO "NORMAL MOWING" POSITION.

**NOTE:** IN BOTH MODES, WHEN OPERATOR LEAVES SEAT, ENGINE WILL STOP UNLESS PARKING BRAKE IS SET AND BLADES ARE DISENGAGED.

**LOWER DASH**

**PARKING BRAKE**  
DEPRESS BRAKE PEGAL, PUSH PARKING BRAKE LEVER DOWN AND RELEASE PEGAL TO LOCK.

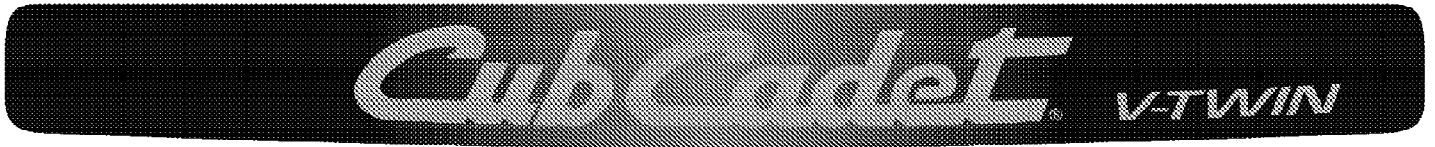
**CRUISE CONTROL**  
DEPRESS SPEED CONTROL PEGAL TO DESIRED SPEED, PUSH CRUISE CONTROL LEVER DOWN AND RELEASE PEGAL, PRESS BRAKE OR SPEED CONTROL TO RELEASE.

**FOR A LIST OF Optional Attachments, Please Refer to Your Operator's Manual.**

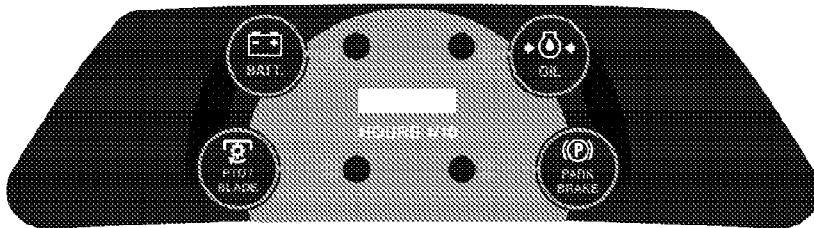
777D12929



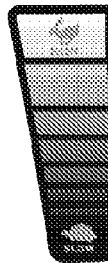
777D13983



777123292



777123295



777D14154



777D14155

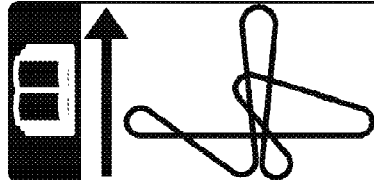


777S33183

**⚠ DANGER**  
**AVOID SERIOUS INJURY OR DEATH**

- KEEP HANDS AND FEET AWAY FROM ROTATING PARTS.
- REMOVE OBJECTS THAT CAN BE THROWN BY THE BLADE IN ANY DIRECTION. WEAR SAFETY GLASSES.
- DO NOT MOW WHEN CHILDREN OR OTHERS ARE AROUND.
- NEVER CARRY CHILDREN EVEN WITH BLADES OFF.
- USE EXTRA CAUTION ON SLOPES. DO NOT MOW SLOPES GREATER THAN 15°. MOW ACROSS NOT UP AND DOWN. AVOID SUDDEN TURNS. USE LOW SPEED.
- READ OPERATOR'S MANUAL. KEEP SAFETY DEVICES IN PLACE AND WORKING.

777123150



777S23132

**TRANSMISSION RELEASE**

**ENGAGED** (LIFT ROD UP TO ENGAGE TRANSMISSION)

**RELEASED** (LIFT ROD DOWN TO RELEASE TRANSMISSION)

777123133



777S30503

**⚠ DANGER**  
**KEEP HANDS AND FEET AWAY. DO NOT OPERATE MOWER UNLESS CHUTE DEFLECTOR OR ENTIRE GRASS CATCHER IS IN ITS PROPER PLACE.**

**ASSEMBLE CHUTE DEFLECTOR TO THIS UNIT BEFORE OPERATING.**

777X44224

MODEL LTX 1050 REPLACEMENT PARTS

Use only Cub Cadet genuine factory parts

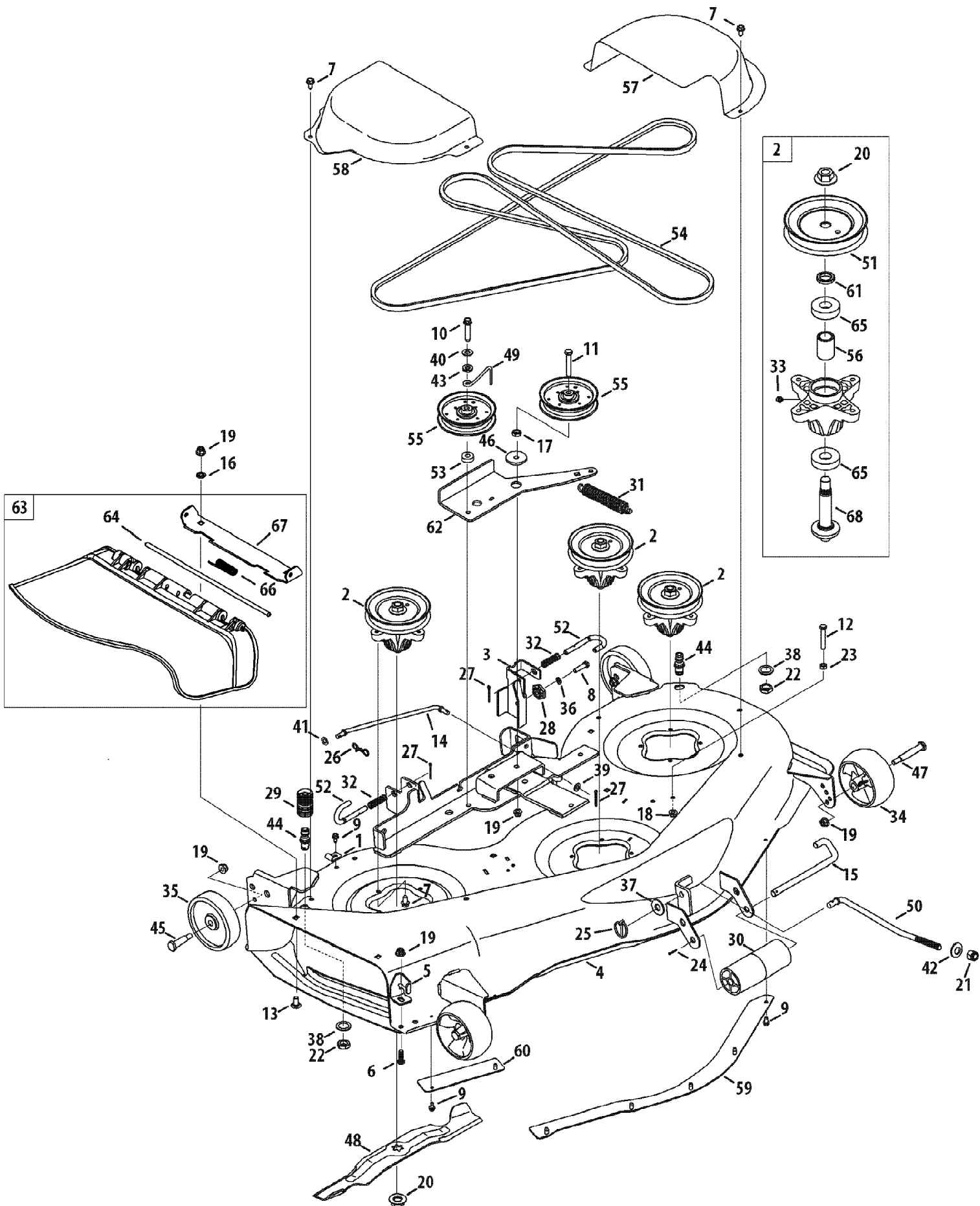
Blades	543-0463-3C(3)	Oil Filter	RM-4006-7007
Lower Drive Belt	614-05237	AW Filter	RM-1101-7047
Engine To Deck Belt	614-02430	Spark Plug	RM-BP1465
Deck Spindles	918-09235	Fuel Filter	RM-49015-7001
Ignition Key	925-30503	Oil Capacity	70.4 cc
Solenoid	725-04439		

www.cubcadet.com

777D13924



Ref #	Part Number	Qty	S/P/F	Description
777I23150	777I23150	1		LABEL-BELT ROUTING 50"/54"
777X44224	777X44224	1		LABEL-PARTS LIST LTX 1050
777I23133	777I23133	1		LABEL-FUEL LEVEL
777I23295	777I23295	1		LABEL-THROTTLE
777D13924	777D13924	1		LABEL-DECK WASH SYSTEM
777S33183	777S33183	1		LABEL-DECK SAFETY
777S30503	777S30503	1	/P	LABEL-DANGER CHUTE
777I22679	777I22679	1		LABEL-CHECK ENG OI
777I23293	777I23293	1		LABEL-DECK HEIGHT
777D14155	777D14155	1		LABEL-LTX 1050 HYDRO V-TWN LH
777D14154	777D14154	1		LABEL-LTX 1050 HYDRO V-TWN RH
777D13983	777D13983	1		LABEL-FENDER REAR V-TWN C CADET
777D12864	777D12864	1		LABEL-C LOGO GRILLE C CADET
777D12928	777D12928	1		LABEL-LFT SIDE HOOD SCOOP
777D12929	777D12929	1		LABEL-RGT SIDE HOOD SCOOP
777S23132	777I23132	1		LABEL-HYDRO RELEASE
777D14107	777D14107	1		LABEL-KAW FR651V ENG 22.0
777S33233	777S33233	1		LABEL-FLOORBRD SAFETY HYDRO
777I23292	777I23292	1		LABEL-A STY DASH PNL



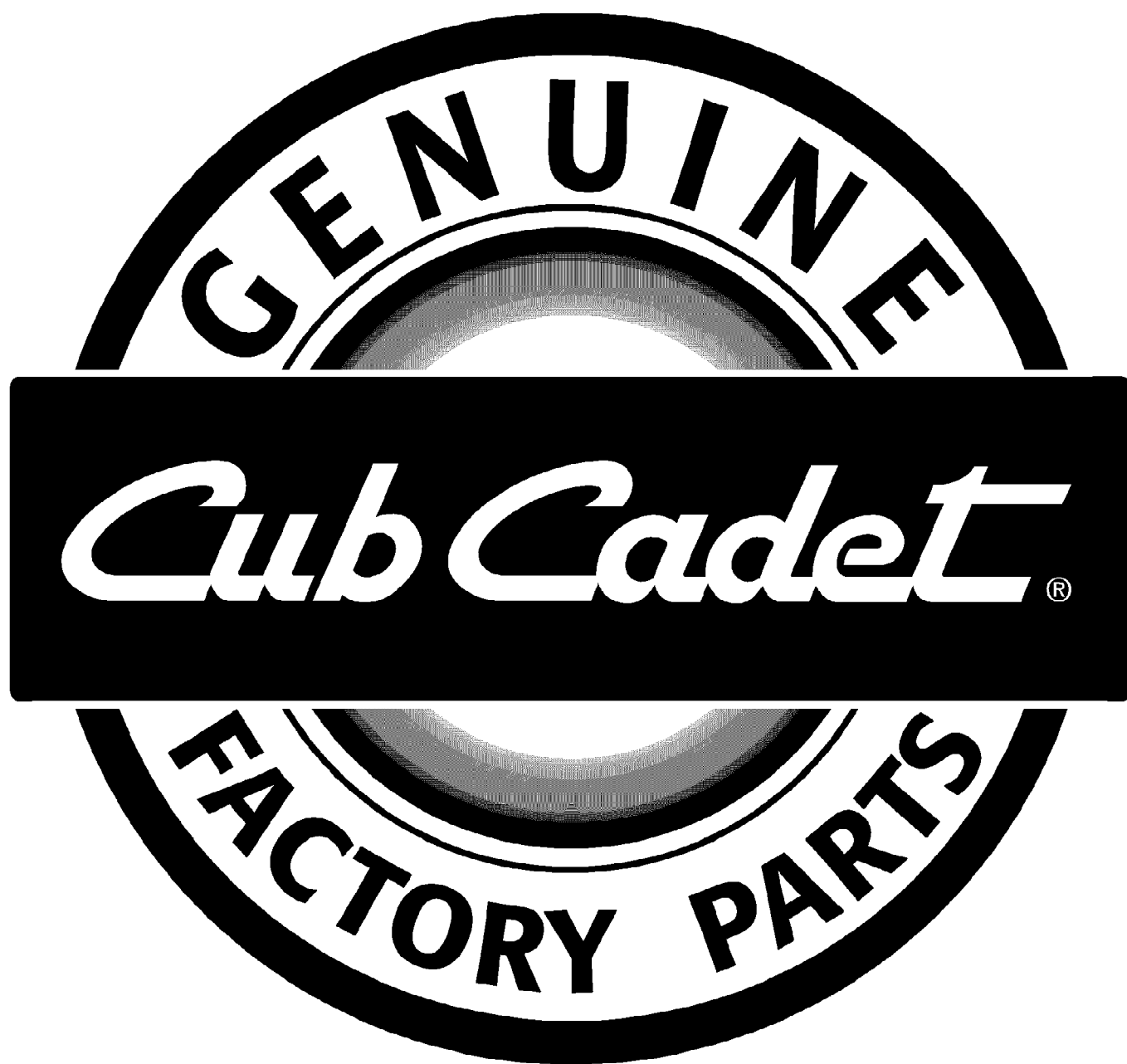
LTX1050KW Tractor  
Mower Deck

Page 39 of 52

Ref #	Part Number	Qty	S/P/F	Description
1	96606	1	/P	Bracket, Hook, Retainer
2	918-04825B	1	/P	Spindle Assembly, Pulley, 5.3 Dia.
3	683-0254B-4021	1		Bracket Assembly, Deck, Hanger LH
4	983-04648-4021	1	/P	Deck Assembly, 50"
5	703-3279	1		Stop, Chute, Deflector
6	710-04095	1		Hex Screw, 3/8-16, 1.00, Gr5, Spec
7	710-04484	1		Screw, Self-tapping, 5/16-18, .750,
8	710-0528	1	/P	Hex Screw, 5/16-18, 1.25, Gr5, Std
9	710-0599	1	/P	Screw, Self-tapping, 1/4-20, 0.500
10	710-1008	1		Screw, Self-tapping, 3/8-16, 1.875
11	710-3011	1	/P	Hex Screw, 3/8-16, 2.25, Gr5, Std
12	710-3103	1	/P	Hex Screw, 5/16-18, 2.00, Gr5, Std
13	710-3178	1	/P	Bolt, Carriage, 3/8-16, 0.75, Gr1
14	711-05078	1		Rod, Support, Deck
15	911-3314	1	/P	Roller Pin-1/2 Dia. x 7.31
16	712-0229	1		Nut, Push, 3/8
17	912-0240	1	/P	Nut, Jam, 7/16-20, Gr2
18	712-04063	1	/P	Nut, Flange Lock, 5/16-18, Nylon
19	712-04065	1	/P	Nut, Flange Lock, 3/8-16, Nylon
20	712-0417A	1	/P	Nut, Flange, 5/8-18
21	712-04243	1		Nut, 1/2-13
22	912-0641	1	/P	Nut, Hex, M16-1.5
23	912-3010	1	/P	Nut, Hex, 5/16-18, Gr5
24	914-0111	1	/P	Pin, Cotter, 3/32, 1.0
25	753-04070	1	/P	Pin, Lynch, .1875
26	714-04043	1		Pin, Cotter, Bow-Tie
27	914-0470	1	/P	Pin, Cotter, 1/8 x 1.25
28	917-04074	1	/P	Gear, Deck, Adjustment
29	921-04041	1	/P	Coupler, Water
30	731-05679	1		Roller, Front
31	732-04649	1		Spring, Extension, 1.0 OD x 6.10
32	732-04652	1		Spring, Compr', .535 OD x 1.751
33	937-3000	1	/P	Lube Fitting, 3/16
34	734-04155	1		Wheel, Deck, 5.0 Dia. Ball
35	734-0973	1	/P	Wheel, Deck 5.0 x 1.38
36	936-0119	1	/P	Washer, Lock, 5/16, Regular Duty
37	936-0179	1	/P	Washer, Flat, .531 x 1.25 x .100
38	736-0225	1	/P	Washer, Lock, 5/8, Int Tooth
39	936-0275	1	/P	Washer, Flat, .344 x .688 x .065
40	936-0300	1	/P	Washer, Flat, .406 x .875 x .059
41	936-0314	1	/P	Washer, Thrust, .375 x .70 x .030
42	736-0317	1	/P	Washer, Bell, .63 x 1.25 x .18
43	736-3010	1	/P	Washer, Flat, .407 x .812 x .135
44	737-04003D	1	/P	Port, Water
45	938-0373	1	/P	Bolt, Shoulder, .496 x 1.525, 3/8-16
46	738-04162A	1	/P	Spacer, Shoulder, .8840 x .190
47	938-3056	1	/P	Bolt, Shoulder, .496 x 2.50, 3/8-16
48	942-04053C	1	/P	Blade, 17.90 Star 2 In 1
49	747-04530	1		Rod, Keeper,
50	747-05067A	1	/P	Rod, Lift, Deck, Front, 11.7
51	756-04216	1		Pulley, Deck, 5.39 Dia.
52	747-1116	1	/P	Rod, Deck Release
53	750-3119	1	/P	Spacer, .406 Id x 1.00 OD x .38

LTX1050KW Tractor  
Mower Deck

Ref #	Part Number	Qty	S/P/F	Description
54	954-04240	1	/P	Belt, V-Type
55	756-04129B	1	/P	Pulley, Idler, 4.25"Dia.
56	750-1096	1		Spacer, .800 x 1.100 x 1.5300
57	783-04399-4021	1		Cover, Belt, LH 50"
58	783-04400-4021	1		Cover, Belt, Rh 50"
59	783-04414A-4021	1		Skirt, Center, 50"
60	783-04415-4021	1		Skirt, RH, 50"
61	748-0434	1		Spacer, .750 x 1.150 x .230
62	783-06361-0637	1	S	Bracket, Idler, Arm
63	631-04070A	1	/P	Chute Assembly
64	711-04565	1		Pin, Hinge, .3175 Dia. x 14.06 ,1
65	941-0919	1	/P	Bearing, Ball, .787id x 1.85 Od x .551
66	732-04372	1		Spring, Torsion, .44 I.D. x 2.0,
67	783-05030	1		Bracket, Chute 50/54"
68	738-0976	1		Shaft, Spindle, 4.1250



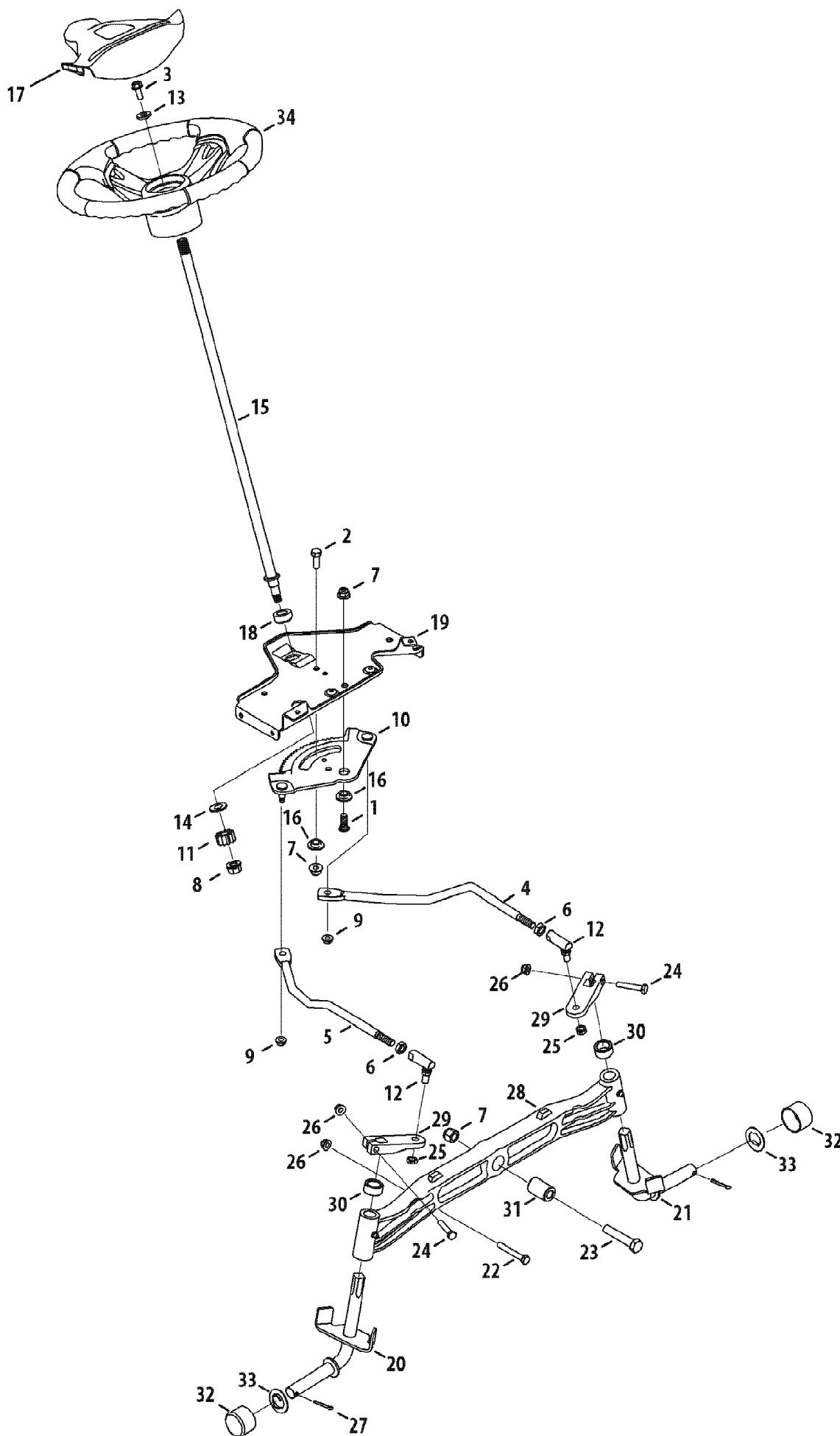
Ref #	Part Number	Qty	S/P/F	Description
	KM-BPR4ES	1	/P	Spark Plug
	KM-11013-7047	1	S	Air Filter & Pre-Cleaner
	KM-49065-7007	1		Oil Filter
	KM-49019-7001	1	S	Fuel Filter
	KM-21171-7041	1		Ignition Module
	KM-21066-7017	1		Voltage Regulator
	KM-49040-7008	1		Fuel Pump
	N/A	1		Carb Repair Kit
	KM-21188-7002	1		Carburetor Solenoid
	954-04207	1	/P	Drive Belt (Trans)
	954-04240	1	/P	PTO/Deck Belt
	942-04053C	1	/P	Blades
	712-0417A	1	/P	Blade Nut
	918-04825B	1	/P	Spindle Assy. w/Pulley
	734-04155	1		Deck Wheels (Front)
	734-0973	1	/P	Deck Wheels (Back)
	921-04041	1	/P	Water Nozzle Adapter
	923-0448A	1	/P	Ball Joints
	725-04363	1		Brake Switch
	751-0603A	1	/P	Fuel Cap
	725-04439	1		Solenoid
	925-2054A	1	/P	Ignition Keys
	925-04227B	1	/P	Ignition Switch Module
	725-04258	1	/P	P.T.O. Switch
	917-04174A	1	/P	P.T.O. Clutch
	19A40002100	1	/P	Bagger Attachment
	190-193-000	1		Mulch Attachment
	190-679-101	1		Bumper Attachment



LTX1050KW Tractor  
Seat, Fender & Lift

Page 44 of 52

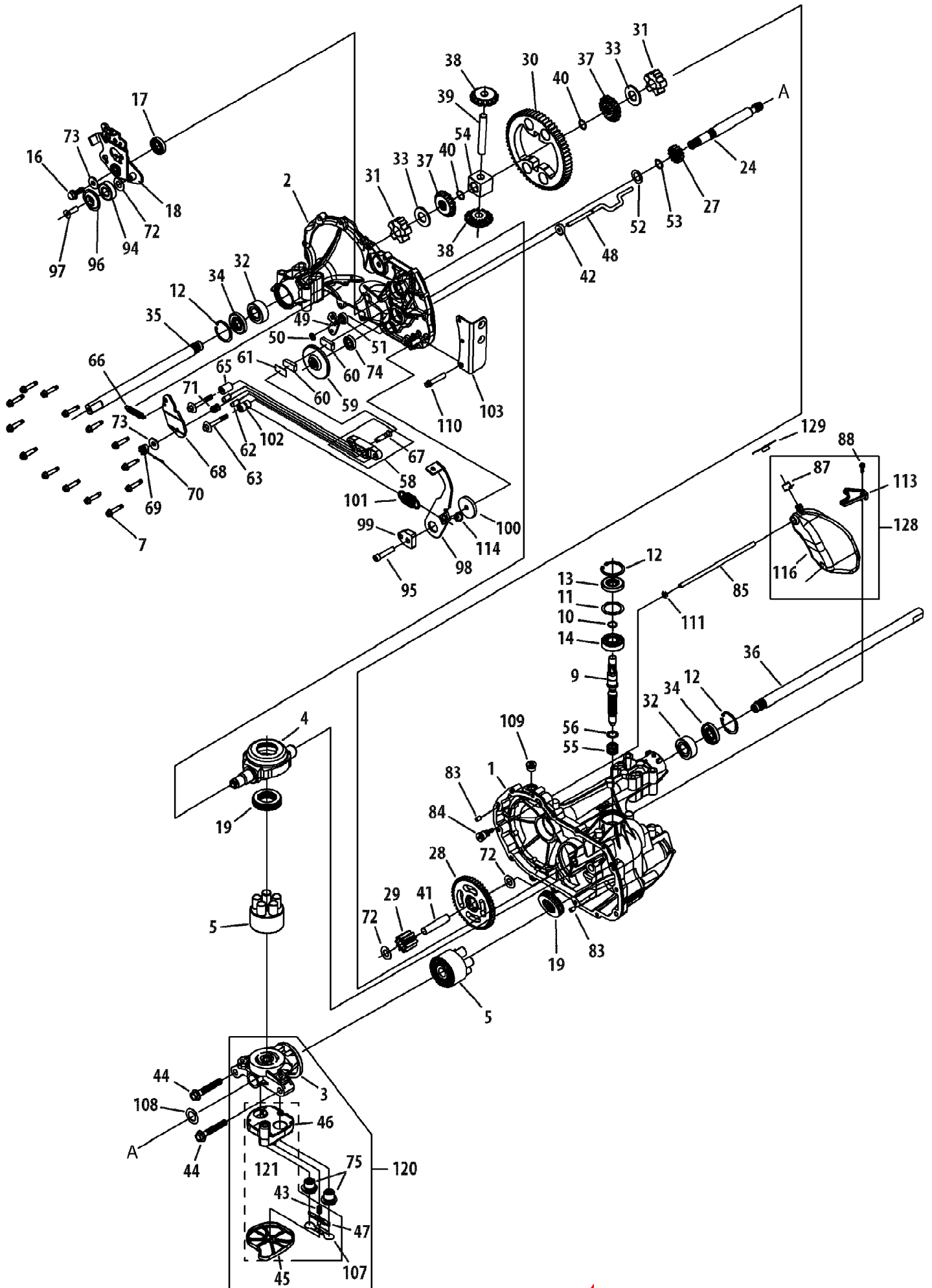
Ref #	Part Number	Qty	S/P/F	Description
1	683-04223-0637	1	/P	Shaft Ass'y, Lift
2	712-04063	1	/P	Nut, Flange Lock, 5/16-18, Grf
3	712-04065	1	/P	Nut, Flange Lock, 3/8-16, Grf
4	914-0104	1	/P	Pin, Cotter, .072 Dia. x 1.13
5	714-04040	1	/P	Pin, Cotter, Bow-Tie 72
6	716-0106A	1		Ring, E Type, .625 Dia. Shaft
7	720-04139	1		Grip, Handle, Cub, .50 ID
8	732-0874	1	/P	Spring, Torsion
9	736-0105	1	/P	Washer, Spring, .401 x .870 x .063
10	738-0138A	1	/P	Screw, Shoulder, .437 x .470, 5/16-18
11	938-0380	1	/P	Bolt, Shoulder, .50, 3/8-16
12	941-0225	1	/P	Bearing, Hex Flange
13	746-0968	1		Cable, Lift, 16.16
14	747-04962A	1	/P	Handle, Lift,
15	756-04331	1		Pulley, Roller, Cable
16	783-05546A-0637	1	/P	Link, Lift
17	731-06584	1		Door, Cover, Fender
18	710-04484	1		Screw, Self-tapping, 5/16-18, .750
19	712-3004A	1	/P	Nut, Flange Lock, 5/16-18, Gr5, Sd Lk
20	732-04563	1		Spring, Compression, .68 x 1.065 x .055
21	725-0157	1	/P	Cable, Tie, 3/16 x .05 x 7.4
22	732-04561	1		Spring, Compr, 1.71 x 3.735 x .238
23	938-0296	1	/P	Screw, Shoulder, .437 x .268, 5/16-18
24	783-06049-0637	1		Bracket, Mounting, Seat
25	783-06088-0637	1		Bracket, Pivot, Seat
26	783-06050	1		Lever, Seat Adjustment
27	783-06448	1		Clip, Retaining, Switch
28	710-1260A	1	/P	Hex Screw, 5/16-18, .75, Gr5, Std
29	710-0599	1	/P	Screw, Self-tapping, 1/4-20, 0.500
30	710-0895	1		Screw, HL, 1/4-15, 0.750,
31	731-06700	1		Cover, Fender, RH
32	731-06676	1		Cover, Fender, LH
33	747-05039	1		Pin, Door
34	736-3078	1	/P	Washer, Flat .344 x 1.00 x .063
35	710-04482	1		Hex Flange Screw, 3/8/16, .875, Gr5 Seat bolt stop, one used
36	783-06118-4021	1		Fender, Cub Hydro
37	726-3046	1	/P	Clip, Ratchet, .250 Dia
38	735-04137	1		Pad, Foot, LH
39	735-04139	1		Pad, Foot, RH
40	757-04131	1		Seat, High Back Cloth, Cub
41	925-05013	1	/P	Switch, Seat
42	783-06181-0637	1		Bracket, Lift
43	732-0934	1		Spring, Extension, 1.15 OD x 5.99



LTX1050KW Tractor  
Steering

Page 46 of 52

Ref #	Part Number	Qty	S/P/F	Description
1	710-04095	1		Hex Screw, 3/8-16, 1.00, Gr5, Spec
2	710-0514	1	/P	Hex Screw, 3/8-16, 1.00, Gr5, Std
3	710-0650	1	/P	Hex Screw, 5/16-18, .875, Gr5, Lock
4	711-04998	1		Link, Drag LH
5	711-04999	1		Link, Drag RH
6	912-0240	1	/P	Nut, Jam, 7/16-20, Gr2
7	712-04065	1	/P	Nut, Flange Lock, 3/8-16, Grf,
8	712-0459	1	/P	Nut, Flange Lock, 7/16-20, Grb, Lock
9	712-3004A	1	/P	Nut, Flange Lock, 5/16-18, Gr5, Sd Lk
10	717-1550F	1	/P	Gear, Steering, 11/90 Ratio
11	717-1554	1		Gear, Pinion, Steering
12	923-0448A	1	/P	Ball Joint, 7/16-20, Lock
13	936-3004	1	/P	Washer, Flat, .406 x .875 x .105
14	736-3084	1	/P	Washer, Flat, .51 x 1.12 x .06
15	738-04262	1		Shaft, Steering, .625 OD x 25
16	738-04363	1		Spacer, Shoulder, .385x 1.25 x .3025
17	731-04532B	1		Cover, Steering Wheel, Cub Cadet
18	741-04237B	1	/P	Bearing, Flange, Hex 5/8 Pm
19	783-06043-0637	1		Bracket, Support, Steering
20	638-04022-0637	1		Axle Ass'y, RH .750 Dia.
21	638-04028-0637	1		Axle Ass'y, LH .750 Dia.
22	710-0395	1	/P	Hex Screw, 5/16-18, 2.25, Gr5, Std
23	710-0859	1	/P	Hex Screw, 3/8-16, 2.50, Gr5, Std
24	710-3180	1	/P	Hex Screw, 5/16-18, 1.75, Gr5, Std
25	912-0214	1	/P	Nut, Hex Lock, 3/8-24, Grb
26	712-04063	1	/P	Nut, Flange Lock, 5/16-18, Grf
27	714-0162	1	/P	Pin, Cotter, 5/32, 1.25
28	719-04413A	1		Axle, Pivot Bar, Cast
29	748-04065-0637	1	/P	Steering, Block
30	748-04068	1		Spacer, .71 ID x .125 OD x .56
31	750-05280	1		Spacer, .385 x 1.00 x 1.5075
32	731-05674	1	/P	Cap, Bumper
33	736-04228A	1		Washer, Flat, .350 x 1.559 x .062
34	631-04008A	1	/P	Wheel, Steering, 3 Spoke, Softgrip



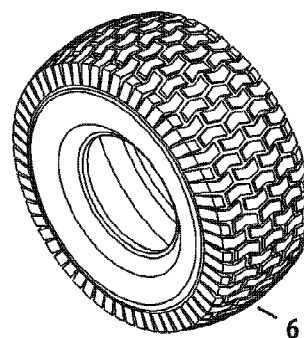
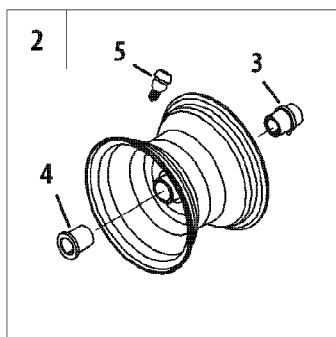
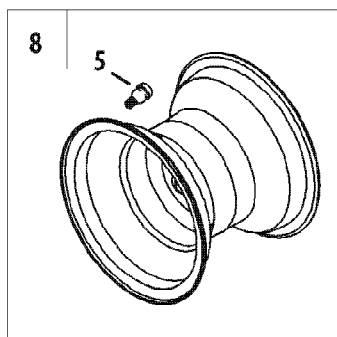
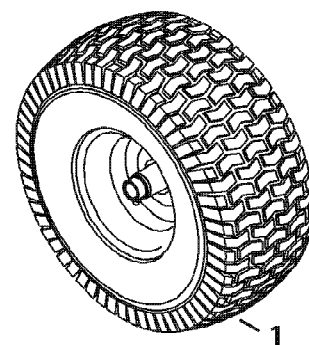
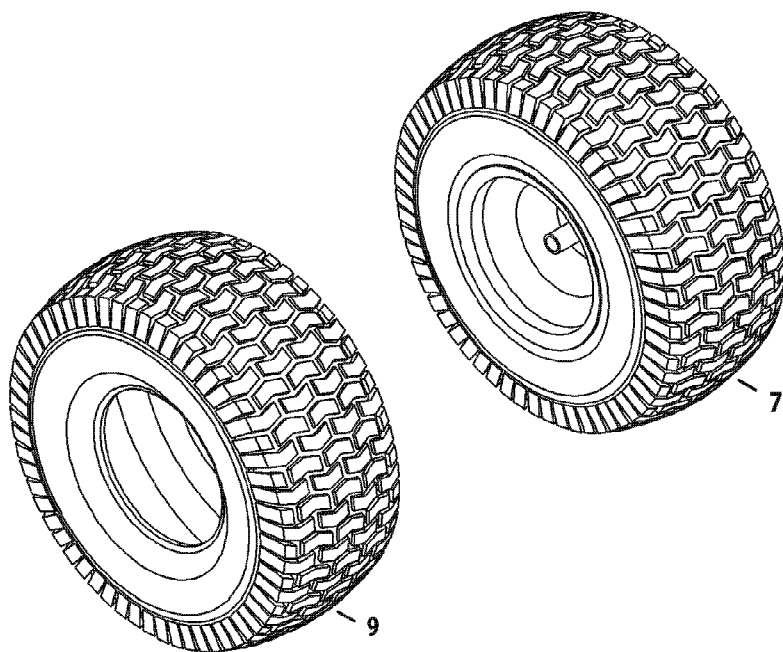
Ref #	Part Number	Qty	S/P/F	Description
1	HG-70467	1		Main Housing Assembly
1	N/A	1		Main Housing, Machined
1	N/A	1		Bushing ,865 x 985 x .790
2	HG-70483	1	/P	Main Housing Assembly
2	N/A	1		Main Housing, Machined
2	N/A	1		Bushing ,865 x 985 x .790
2	N/A	1		Bushing 624 x 719 x .562
3	HG-70477	1		Center Section Assembly
3	N/A	1		Center Section Machined
3	N/A	1		Bushing. 707 x .788 x .591
4	HG-51048	1	/P	Swashplate, Trunnion Machined
5	HG-70331	1	/P	Block - Assembly
5	N/A	1		Block - Cylinder
5	N/A	1		Piston
5	N/A	1		Spring, Compression
5	N/A	1		Washer - Thrust
7	HG-51190	1	/P	Hex Flange Screw 1/4-20 x-1,25
9	HG-51062	1	/P	Shaft, Input
10	HG-2000022	1	/P	Ring - Retaining
11	HG-50951	1	/P	Spacer
12	HG-50329	1	/P	Ring - Retaining
13	HG-51161	1	/P	SeaL Lip .67 x 1.58 x .276
14	HG-50315	1		Ball Bearing 17mm Id x 40mm Od
16	HG-51064	1		Bolt. Flange 5/16-24 x .94 (Patch)
17	HG-51140	1	/P	Lip Seal 18 x 32 x 7
18	HG-51119	1	/P	Arm Control
19	HG-50551	1	S	Bearing 30x52 x 13 Thrust
24	HG-50966	1		Shaft Motor
27	HG-51130	1		Gear - Pinnion 13t
28	HG-51129	1		10t/48t Gear
29	HG-51043	1	/P	Gear Jot Jackshaft
30	HG-51044	1		60t Bull Gear
31	HG-51088	1	/P	Sleeve Bearing .75 x 1.750 x .625
32	HG-51089	1	/P	Sleeve Bearing .75 x 1.575 x .625
33	HG-44875	1	/P	Washer 3/4 Id x 1-1/2 Od x .13 Thk
34	HG-51066	1	/P	Lip Seal Axle Seal
35	HG-51079	1	/P	Shaft Axle .75 x 11.39 ( Dd R. H. )
36	HG-51078	1	/P	Shaft Axle .75 x 17.99 ( Dd, L, H.)
37	HG-44096	1	S	Miter Gear (Splined)
38	HG-44097	1		Miter Gear 15t (0.5 Id)
39	HG-50146	1		Shaft
40	HG-44871	1	/P	Ring, Spiral Retaining
41	HG-51083	1		Pin, Jackshaft
42	HG-51100	1		Magnet, Ring
43	HG-51136	1		Spring, Bypass
44	HG-50016	1		Hydro Mtg Screw 3/8-24 x 2.5
45	HG-51581	1		Bottom, Filter
46	HG-51580	1		Base Filter W/ Poppet
47	HG-51091	1		Actuator Bypass
48	HG-51098	1		Rod Bypass Actuator
49	HG-51135	1		Arm, Bypass
50	HG-51116	1	/P	Retaining Ring 0.250 External
51	HG-51081	1	/P	Seal Lip .741 x .250 x .250 Tc

LTX1050KW Tractor  
Transmission

Page 49 of 52

Ref #	Part Number	Qty	S/P/F	Description
52	HG-44371	1	/P	Flat Washer 5/8 Id x 1.0 Od x .05
53	HG-44145	1		Retaining Ring
54	HG-51071	1		Bearing, Center Block
55	HG-2003014	1	/P	Spring - Helical Compression
56	HG-2003017	1	/P	Washer
58	HG-62589	1	/P	Kit, Brake Yoke
58	N/A	1		Brake Yoke
58	N/A	1		Sq. Hd, Bolt 5/16-24 Ribbed
59	HG-51072	1	/P	Rotor, Brake
60	917-0678	1	/P	Brake Puck
61	917-0682	1	/P	Puck Plate
62	941-0343	1	/P	Brake Actuating Pin
63	HG-51146	1		Hex Screw 1/4-20 x 2 w/ Patch
65	HG-23711	1		Spacer
66	HG-70896	1		Kit, Spring
67	HG-44138	1		So. Hd, Bolt 5/16-24- Ribbed
68	HG-44094	1	/P	Arm, Brake
69	912-0273	1	/P	Slotted Hex Nut 5/16-24
70	914-0507	1	/P	Cotter Pin 3/32 x 3/4
71	HG-50919	1	/P	Comp. Spring Brake Anti-Drag
72	HG-50132	1	/P	Washer, Ht .5 I. D. x 1 OD, x .032
73	736-0371	1	/P	Flat Washer, 1 1/32 ID x 7/8 OD
74	HG-70719	1	/P	Kit, Seal
74	N/A	1		Oil, Seal 625 x Lo x .25
74	N/A	1		Ring, Ret-Star Washer
74	N/A	1		Bulletin, Shaft Seal
75	HG-51084	1	/P	Check Plug Assem, .027 Washer
83	HG-9004800-2506	1	/P	Pin, Standard Headless
84	HG-51143	1	/P	Fitting, 5/16 Sae 5/32 Tube
85	HG-51147	1		Hose, Expansion Tank
87	HG-51251	1		Cap,. Vent
88	HG-50653	1	/P	Bolt, Self Tapping 10-32 x 112
94	HG-44147	1		Ball Bearing .62 Id x 1,38 x 44
95	HG-50837	1		Cap Screw, 5/16-24 x 1-112
96	HG-51200	1		Spacer, Locating
97	HG-50870	1		Screw, Sfhcs
98	HG-51120	1		Arm, Return
99	HG-51097	1		Puck, Adjusting
100	HG-51122	1		Washer, .325 OD x 1.6 ID x .150
101	HG-51131	1	/P	Spring, Extension
102	HG-51123	1		Spacer, .56 x .26 x .87
103	HG-51223	1		Bracket, Torque
107	HG-51134	1		Deflector
108	HG-51069	1		Washer, Motor Shaft .71 Id 1.15 Od
109	HG-9005110-5600	1	/P	Plug, SAE #6
110	HG-50868	1		Torx Head Screw, 5/16-18
111	HG-51144	1		O-Ring, .07 x .301 ID
113	HG-51179	1		Bracket, Support Expansion Tank
114	HG-51184	1	/P	Spring Guide
116	HG-51196	1		Silicon Sponge
120	HG-70759	1		Center Section - Bypass Assm
120	N/A	1		Center Section Machined
120	N/A	1		Base Filter w/ Poppet

Ref #	Part Number	Qty	S/P/F	Description
120	N/A	1		Check Plug Assembly
120	N/A	1		Spring Bypass
120	N/A	1		Actuator Bypass
120	N/A	1		Deflector
120	N/A	1		Bottom, Filter
120	N/A	1		Bushing, .707 x .788 x .591
121	HG-70756	1	/P	Filter Assembly
121	N/A	1		Bottom Filter
121	N/A	1		Base Filter w/ Poppet
121	N/A	1		Spring Bypass
121	N/A	1		Actuator Bypass
121	N/A	1		Deflector
128	HG-70503	1	/P	Kit, Expansion Tank
128	N/A	1		Tank, Expansion
128	N/A	1		Cap, Vent
128	N/A	1		Bolt, Self Tapping 10-32 x 1/2
128	N/A	1		Bracket, Support Expansion Tank
128	N/A	1		Silicon-Sponge 112 x 1/2 x 3/16
129	HG-51252	1		Cap, Expansion Tank Shipping
	HG-50928	1	/P	Sealant Not Shown
	HG-70463	1	/P	Seal, O-Ring Kit Not Shown
		1		20w-50 Oil (78.8 oz) Not Shown
		1		NOTE:Transmission is sealed, maintenance free.



LTX1050KW Tractor  
Wheels

Ref #	Part Number	Qty	S/P/F	Description
1	N/A	1		Wheel Ass'y, Complete, 15 x 6 x 6
2	634-04405-0499	1		Rim Ass'y, 6.0 x 4.5, Plastic Bearings
3	741-0990B	1	/P	Bearing, Flange, .760 ID w/ Fitting
4	741-0516B	1	/P	Bearing, Flange, .760 x 1.00 x 1.20
5	934-0255	1	/P	Valve, Tubeless Air
6	734-1731-0901	1	/P	Tire, 15 x 6 x 6 Sq Shoulder
7	634-0177-0931	1		Wheel, Complete, 20 x 10 x 8
8	634-04369-0499	1		Rim Ass'y, 8.0 x 7.0 x .750 ID
9	734-1730-0901	1	/P	Tire, 20 x 8 x 8 Sq Shoulder