

LTX1046 Tractor (2010 & After)  
Drive System

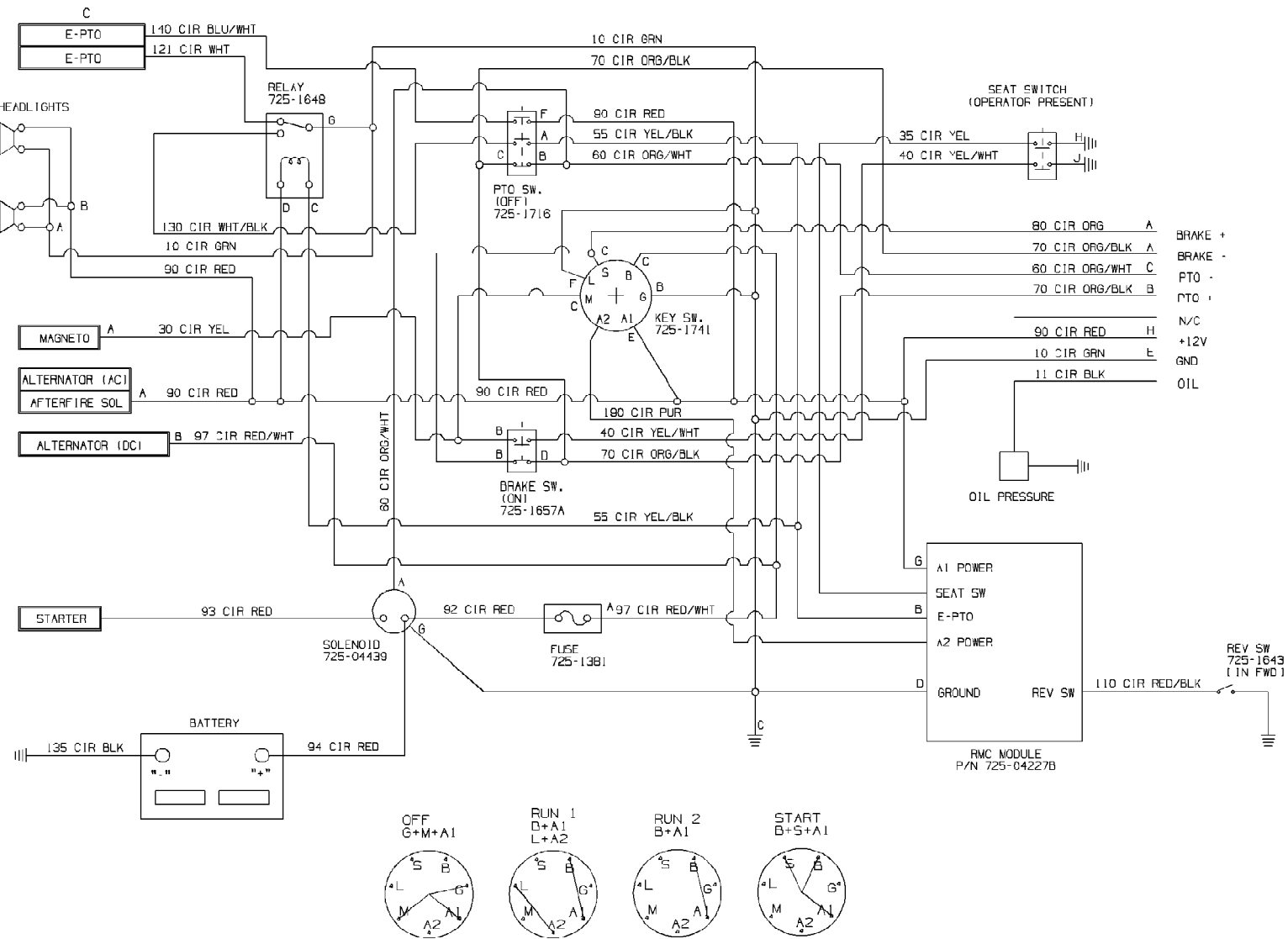
Page 2 of 45

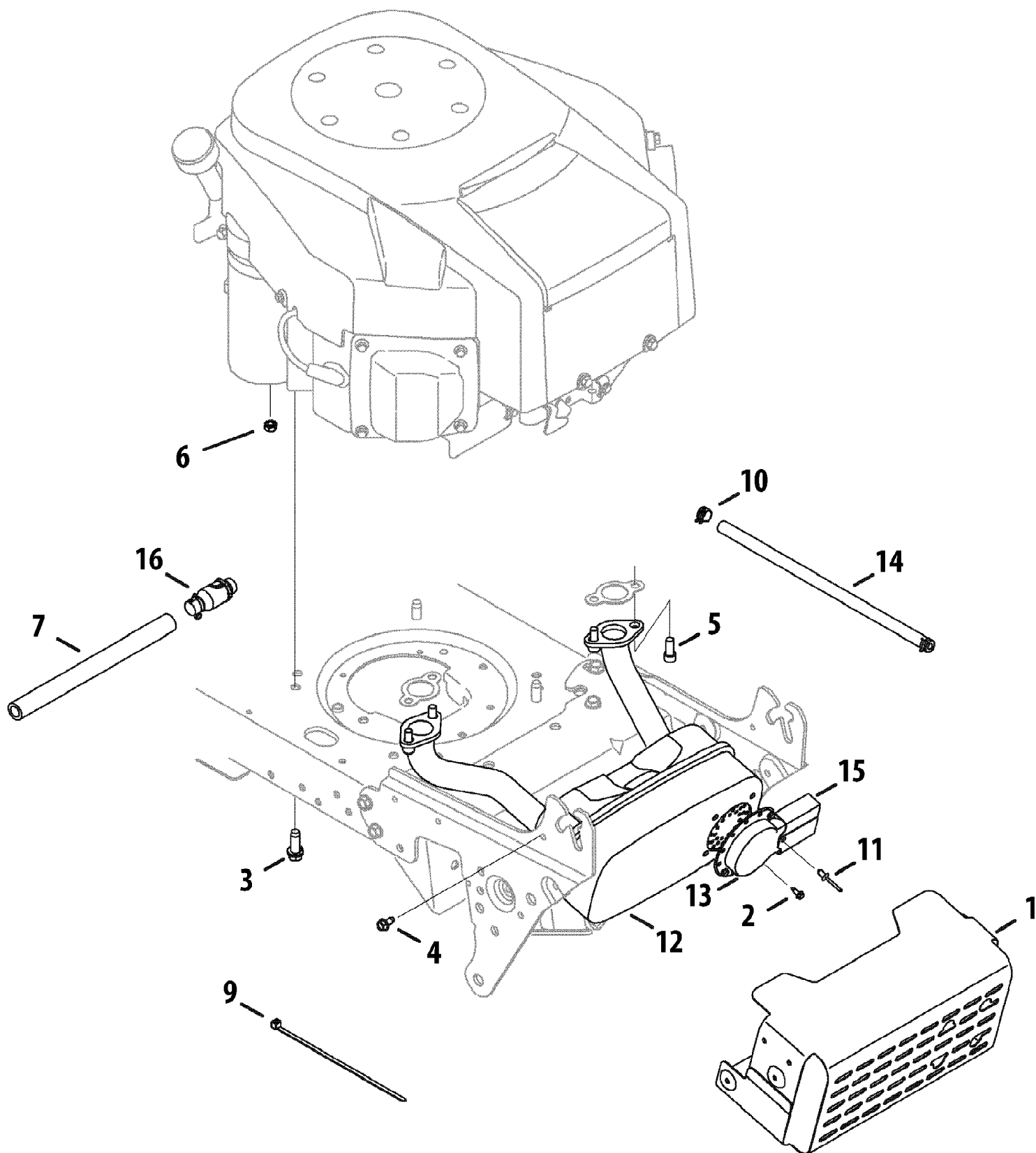
Ref #	Part Number	Qty	S/P/F	Description
1	918-0319	1	/P	Transmission, Hydro-Gear 0510
2	710-0176	1	/P	Hex Screw, 5/16-18, 2.75, Gr5, Std
3	710-0227	1	/P	Screw, #8-18, 0.500,
4	710-0351	1	/P	Screw, #10-16, 0.500
5	710-04484	1		Screw, Self-tapping, 5/16-18, .750
6	710-0653	1	/P	Screw, Self-tapping, 1/4-20, 0.375
7	710-1007	1	/P	Screw, Self-tapping, 3/8-16, 1.500
8	710-1325	1	/P	Screw, Self-tapping, 1/4-20, 1.625
9	710-3011	1	/P	Hex Screw, 3/8-16, 2.25, Gr5
10	912-0240	1	/P	Nut, Jam, 7/16-20, Gr2
11	912-0346	1	/P	Nut, Jam Lock, 1/2-20, Gr5, Nylon
12	712-04063	1	/P	Nut, Flange Lock, 5/16-18, Nylon
13	912-0431	1	/P	Nut, Flange Lock, 3/8-16
14	914-0111	1	/P	Pin, Cotter, 3/32, 1.0
15	725-0157	1	/P	Cable, Tie, 3/16 x .05 x 7.4
16	725-04791A	1		Jumper Harness, Ground & Reverse
17	725-1644	1		Switch, Spring, Short
18	926-0154	1	/P	Tie, Cable, Push Mount 7.5
19	926-0320	1	/P	Plate, Insulator Nut
20	731-05299A	1		Sleeve, .765 Id x 1.500
21	731-06098	1		Fan, Hydro
22	932-0209	1	/P	Spring, Extension, .48 Od x 2.03
23	732-04606	1		Spring, Extension, .500 Dia x 12.6
24	732-04624	1		Spring, Extension, 1.00 Dia x 4.75
25	732-0716D	1	/P	Spring, Extension, .59 Od x 4.00
26	732-0729	1	/P	Ring, Wire
27	732-3118	1		Spring, Extension, .375 Od x 1.44
28	936-0264	1	/P	Washer, Flat, .330 x .630 x .0635
29	736-04263	1		Washer, Lock, Transmission Hydro
30	936-3008	1	/P	Washer, Flat, .344 x .750 x .120
31	736-3010	1	/P	Washer, Flat, .407x.812x.135, Ht
32	736-0242	1	/P	Washer, Bell, .340 x .872 x .060
33	710-0627	1	/P	Hex Screw, 5/16-24, .750, Gr5, Lock
34	738-04420	1		Spacer, Shoulder, 1.375 x .380 x .183
35	747-04139	1		Rod, Brake, LT Hydro
36	747-04957A	1		Rod, Transmission, Bypass
37	747-04979	1		Rod, Control, Hydro
38	747-04991	1		Rod, Hydro Bypass
39	750-04456	1		Spacer, .260 x .372 x 1.420
40	954-04207	1	/P	Belt, V-Type
41	756-04224	1	/P	Pulley, Idler, Flat 2.75 OD
42	756-04308	1		Pulley, Input, 4.13 Dia
43	756-04325	1	/P	Pulley, Idler, V-Type x 3.06
44	783-06027A	1		Bracket, Idler, Center Double
45	783-06133-0637	1		Bracket, Mount, Hydro
46	783-06260-0637	1		Bracket, Support, Belt Disengage
47	783-1019B	1	/P	Bracket, Actuator, Switch
48	647-04152A	1		Control Assembly, Brake
49	683-04537	1		Bracket Assembly, Pedal, Hydro
50	710-0604A	1	/P	Screw, Self-tapping, 5/16-18, 0.625,
51	711-05068	1		Pin, Clevis, 5/16 x 3.985
52	712-04065	1	/P	Nut, Flange Lock, 3/8-16, Nylon
53	714-04040	1	/P	Pin, Cotter, Bow-Tie 72

LTX1046 Tractor (2010 & After)  
Drive System

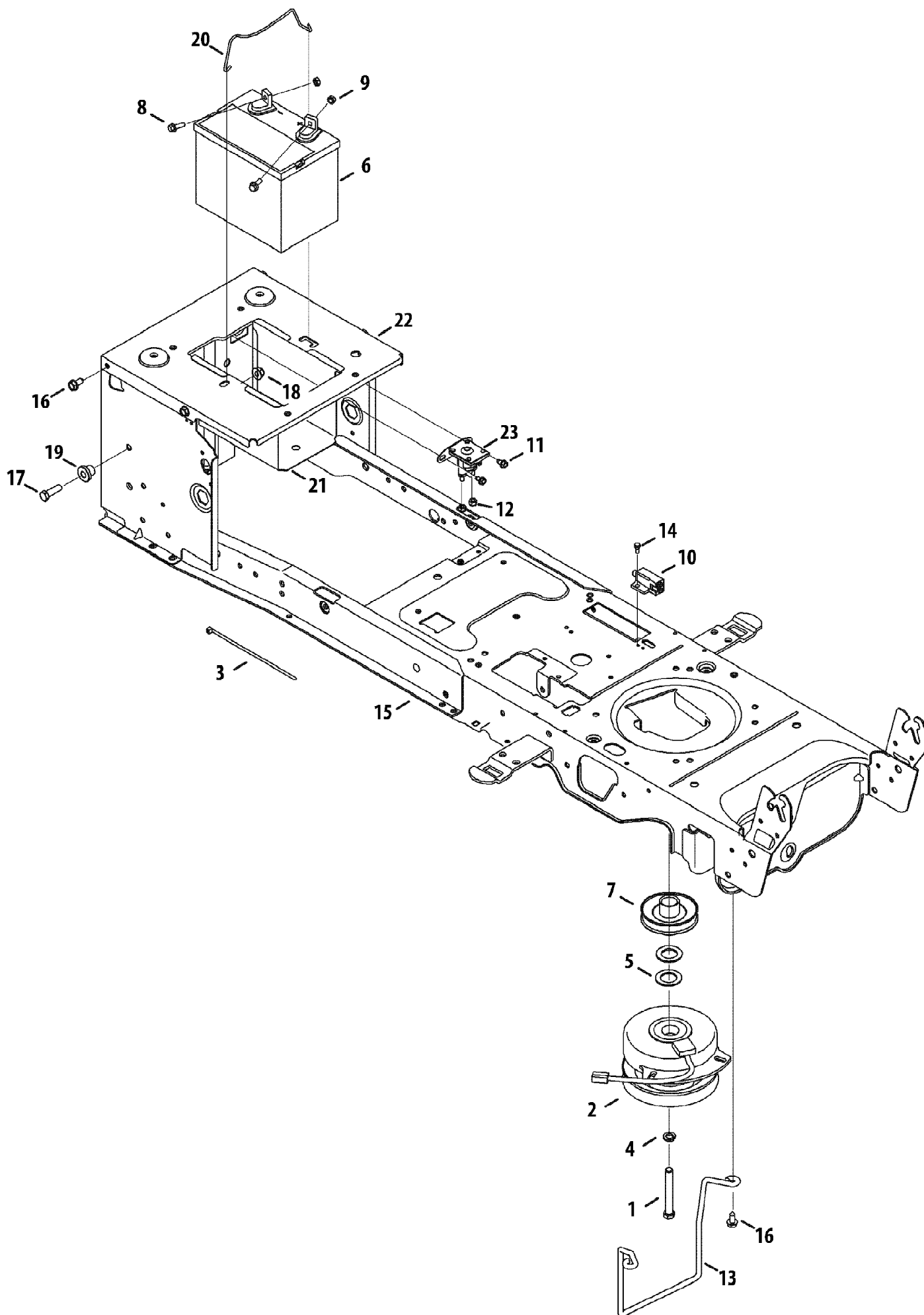
Page 3 of 45

Ref #	Part Number	Qty	S/P/F	Description
54	783-06059-0637	1		Bracket, Pedal, Hydro
55	726-0214	1	/P	Cap, Push 5/8
56	732-04587	1		Spring, Extension, .63 Dia x 4.95
57	735-04136	1		Pad, Pedal, Brake
58	736-0242	1	/P	Washer, Bell, .340 x .872 x .060
59	731-2290A	1	/P	Cap, Hub
60	938-0380	1	/P	Bolt, Shoulder, .500 x .270, 3/8-16
61	741-0495	1	/P	Bearing, Flange, .630 x .695 x .60
62	748-04203	1		Latch, Cruise
63	783-05914	1		Bracket, Support, Pedal Strap
64	783-05940	1		Bracket, Support, Pedal Strap 5/8
65	783-06103A-0637	1		Bracket, Pedal, Brake
66	736-0430	1	/P	Washer, Flat, .350 x 1.59 x .062
67	735-04118A	1	/P	Pad, Pedal, Forward
68	735-04135	1		Pad, Pedal, Reverse





Ref #	Part Number	Qty	S/P/F	Description
1	683-04549-0637	1	/P	Shield Ass'y, Muffler
2	710-0227	1	/P	Screw, Ab, #8-18, 0.500,
3	710-04683	1		Screw, Self-tapping, 3/8-16, 1.000,
4	710-0599	1	/P	Screw, Self-tapping, 1/4-20, 0.500,
5	710-1314A	1	/P	Screw, Socket Head, 5/16-18, .750
6	712-0271	1	/P	Nut, Sems, 1/4-20
7	751-3141-14	1	/P	Hose, Extension, Oil Drain
8	721-0377A	1	S	Gasket, Exhaust
9	725-0157	1	/P	Cable, Tie, 3/16 x .05 x 7.4
10	726-0205	1	/P	Clamp, Hose, .490 Dia.
11	728-04000	1		Rivet, Pop, .188 Dia x .300
12	751-10528A	1	/P	Muffler, Kohler Twin
13	751-0564B	1	/P	Deflector, Muffler
14	751-10349	1		Hose, Fuel, Low Permeation, 1/4
15	751-10353	1		Deflector, Muffler, Long
16	951-10517A	1	/P	Drain, Oil



Ref #	Part Number	Qty	S/P/F	Description
1	710-04379A	1		Hex Screw, 7/16-20, 3.50, Gr5, Lock
2	917-04552	1	/P	Clutch, Electric PTO
3	725-0157	1	/P	Cable, Tie, 3/16 X .05 X 7.4
4	736-0171	1	S	Washer, Lock, 7/16 , Regular Duty
5	736-0277	1		Washer, Flat, 1.031 X1.620 X.095
6	925-1707D	1	/P	Battery
7	756-0978B	1	/P	Engine Pulley, Electric PTO
8	710-04666	1		Hex Flange Screw, 1/4-20, .75, Gr5
9	712-0271	1	/P	Nut, Sems, 1/4-20
10	725-04363	1		Switch, Interlock
11	710-0653	1	/P	Screw, Self-tapping, 1/4-20, 0.375
12	712-04064	1	/P	Nut, Flange Lock, 1/4-20, Nylon
13	747-05171	1		Rod, Keeper
14	738-04237A	1		Screw, Shoulder, #10-32, .50
15	683-04469A-0637	1		Frame Assembly, Lower
16	710-04484	1		Screw, Self-tapping, 5/16-18, .750
17	710-3005	1	/P	Hex Screw, 3/8-16, 1.25, Gr5, Std
18	712-04065	1	/P	Nut, Flange Lock, 3/8-16, Nylon
19	738-04058	1		Spacer, Shoulder, .38 X 1.0 X .70
20	747-04121A	1		Rod, Battery
21	783-0349-0637	1		Tray, Battery
22	783-06089-0637	1		Bracket, Frame, Seat
23	725-04439	1		Solenoid, 12V, 100 Amp, 4 term
	925-04093	1	/P	Harness Assembly, Main Not Shown



LTX1046 Tractor (2010 & After)  
Fuel Tank, Hood & Dash

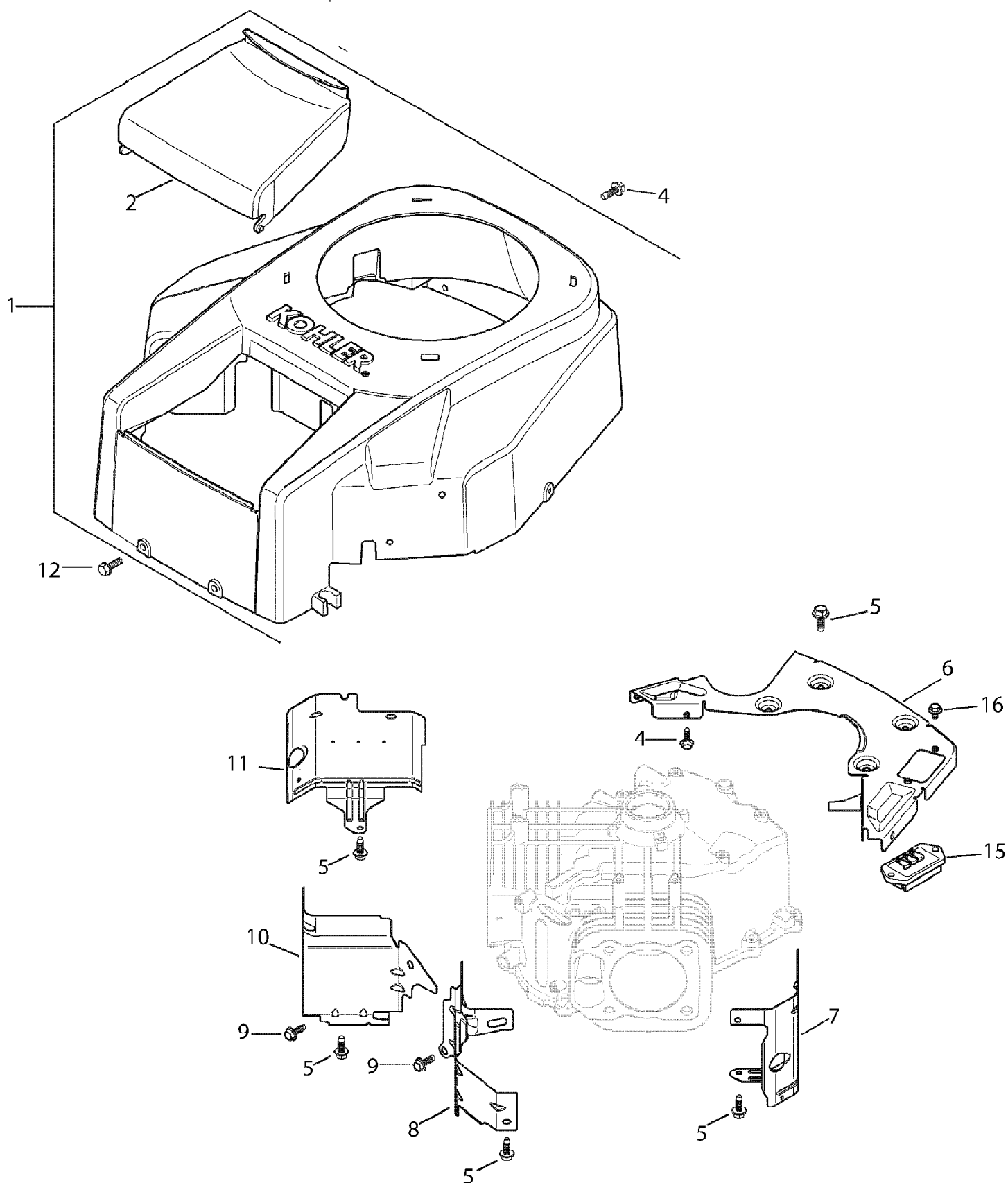
Page 10 of 45

Ref #	Part Number	Qty	S/P/F	Description
1	710-04484	1		Screw, Self-tapping, 5/16-18, .750
2	710-0599	1	/P	Screw, Self-tapping, 1/4-20, 0.500
3	710-0895	1		Screw, HL, 1/4-15, 0.750
4	710-1017	1	/P	Screw, Ab, 1/4-14, 0.625,
5	710-1611B	1	/P	Screw, Self-tapping, 5/16-18, 0.750,
6	710-1652	1	/P	Screw, Self-tapping, 1/4-20 x .625
7	710-3217	1	/P	Screw, Mach, #8-32, 0.375
8	712-0142	1	/P	Nut, Hex, #8-32
9	714-04040	1	/P	Pin, Cotter, Bow-Tie 72
10	726-3046	1	/P	Clip, Ratchet, .250 Dia
11	731-05447A	1		Lever, Dash, Cruise/Brake
12	731-06593	1		Knob, Throttle
13	931-06554	1	/P	Dash Panel, A-Style, NO LGT SW
14	735-0271A	1	/P	Bumper, .62 Dia X .3
15	735-04076	1		Net
16	747-05009A	1		Rod, Control, Latch Cub
17	747-1196	1		Rod, Lever, Bent
18	783-06098-0637	1		Support, Dash, Plate LH
19	783-06099-0637	1		Support, Dash, Plate RH
20	925-1649	1	/P	Socket, Lamp
21	710-05108	1		Screw, 1/4 Dia, .750
22	926-0154	1	/P	Tie, Cable, Push Mount 7.5 Lg
23	931-04322	1	/P	Grille Ass'y (Incl. 26, 27, 32 & 33)
24	931-06542	1	/P	Scoop, Hood, RH A-Style
25	931-06543	1	/P	Scoop, Hood, LH A-Style
26	931-06558	1	/P	Lens, Hood, RH A-Style
27	931-06559	1	/P	Lens, Hood, LH A-Style
28	931-06634	1	/P	Hood, A-Style
29	936-0222	1	/P	Washer, Lock, 1/4, External
30	936-3020	1	/P	Washer, Flat, .271, .630, .065
31	738-04091A	1	/P	Screw, Shoulder, .43x.29, 5/16-18
32	777X44055	1		Reflector, Cub A Style, LH
33	777X44056	1		Reflector, Cub A Style, RH
34	783-06114-0637	1		Bracket, Pivot, Hood A-Style
35	751-10879	1		Tank, Fuel, 3.75 Gal.
35	751-10906	1		Tank, Fuel, 3.30 Gal. (CA)
36	710-1652	1	/P	Screw, Self-tapping, 1/4-20, .625
36	710-0642	1	/P	Screw, Self-tapping, 1/4-20, .75 (CA)
37	747-05040A	1	/P	Rod, Support, Fuel Tank
38	951-10589	1	/P	Canister, Carbon, 5 Gallon (CA)
39	951-10590	1	/P	Filter, Vent, Canister (CA)
40	951-10610	1	/P	Bracket, Adapter, Canister (CA)
41	751-10749	1		Hose, Fuel, Low Perm, 3/16 Wht (CA)
42	751-10750-28	1		Hose, Fuel, Low Perm, 7/32 Yel (CA)
43	751-10441	1		Valve, Rollover Grommet (CA)
44	735-04081	1		Grommet, Rubber, 23.0 ID (CA)
45	751-0603A	1	/P	Cap, Fuel
45	951-10947	1	/P	Cap, Fuel (CA) California model (CA)
46	925-2054A	1	/P	Key, Ignition
47	735-04170	1		Gasket, Fuel Tank
48	925-0963	1	/P	Lamp, 12v
49	731-1999	1		Plug, Choke
50	925-04227B	1	/P	Module Switch, Ignition

LTX1046 Tractor (2010 & After)  
Fuel Tank, Hood & Dash

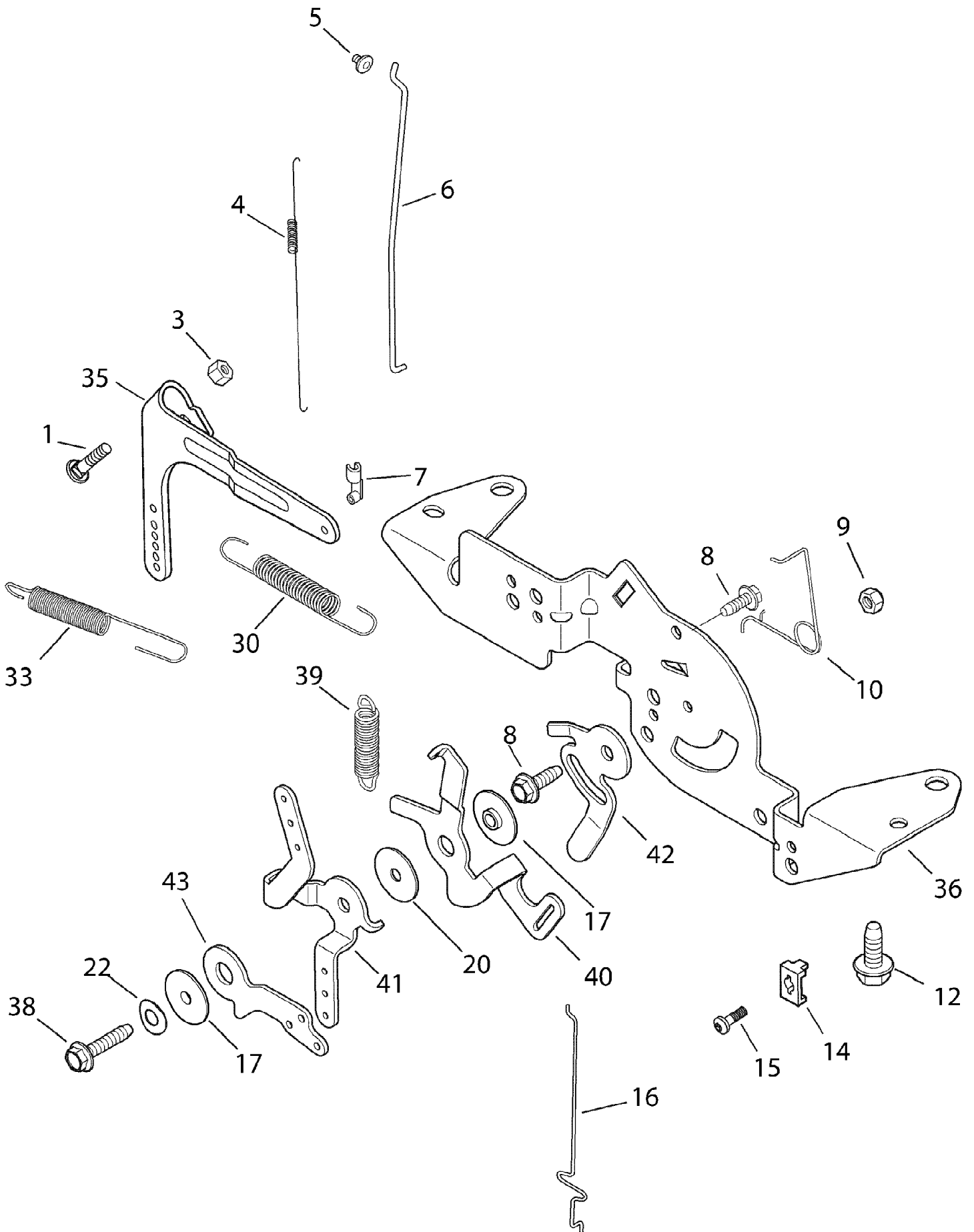
Page 11 of 45

Ref #	Part Number	Qty	S/P/F	Description
51	946-04556	1	/P	Cable, Throttle/Choke, 38"
52	925-04022B	1	/P	Meter, Indicator
53	725-04258	1	/P	Switch, Electric PTO, Yellow



LTX1046 Tractor (2010 & After)  
Kohler SV715 Blower Housing & Baffles

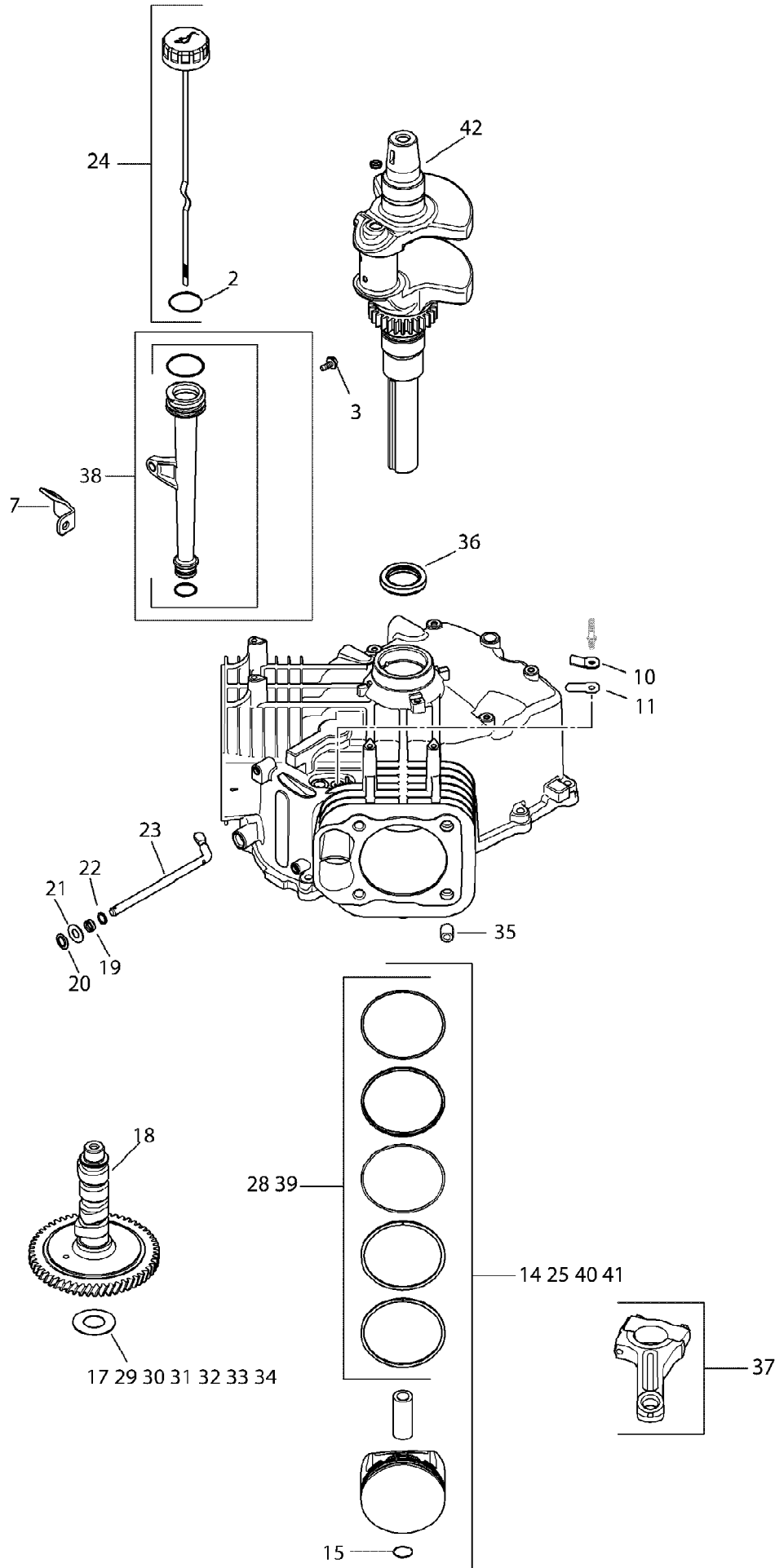
Ref #	Part Number	Qty	S/P/F	Description
1	KH-32-027-03-S	1		Housing Blower Kit Inc. 2 & KH-41-037-10-S)
2	KH-32-096-08-S	1		Air Cleaner Cover
4	KH-M-545016-S	1	/P	Flg. Thd. Frm. Screw, M5 X 0.8 X 16
5	KH-M-645016-S	1	/P	Flg. Thd. Frm. Screw, M6 X 1.0 X 16
6	KH-32-146-05-S	1		Backing Plate Kit
7	KH-32-063-12-S	1		Cyl. Barrel Baffle - #2 Side
8	KH-32-063-02-S	1		Valley Baffle - #2 Side
9	KH-M-0545010	1	/P	Flg. Thd. Frm. Screw, M5 X .8 X 10
10	KH-32-063-03-S	1		Valley Baffle - #1 Side
11	KH-32-063-10-S	1		Cyl. Barrel Baffle - #1 Side
12	KH-24-086-12	1		Tap Screw, M6 X 1.7 X 18
15	KH-41-403-10-S	1	/P	Regulator/Rectifier
16	KH-25-086-158-S	1		Flg. Thd. Frm. Screw, M6 X 1.0 X 10
	KH-41-037-10-S	1		Service Nameplate Not Shown



LTX1046 Tractor (2010 & After)  
Kohler SV715 Controls

Page 15 of 45

Ref #	Part Number	Qty	S/P/F	Description
1	KH-24-211-03-S	1		Rd. Hd. Sq. Neck Bolt, M6 X 1.0 X 25
3	KH-M-641060-S	1	/P	Flg. Nut, M6 X 1.0
4	KH-24-089-01	1		Linkage Spring
5	KH-25-158-08	1	/P	Linkage Retaining Bushing
6	KH-24-079-04	1		Throttle Linkage
7	KH-25-158-11	1	/P	Throttle Linkage Bushing
8	KH-M-545016-S	1	/P	Flg. Thd. Frm. Screw, M5 X 0.8 X 16
9	KH-M-547050-S	1		Lock Nut, M5 X .8
10	KH-24-089-03	1		Choke Return Spring
12	KH-M-645016-S	1	/P	Flg. Thd. Frm. Screw, M6 X 1.0 X 16
14	KH-12-237-01	1		Cable Clamp
15	KH-24-086-43-S	1		Lbd. Thd. Frm. Screw, M5 X 0.8 X 16
16	KH-24-079-22-S	1		Choke Linkage
17	KH-24-112-27-S	1		Control Assembly Spacer
20	KH-24-468-01	1		Flat Washer. 5.5mm
22	KH-41-468-03	1		Spring Washer, 1/4
30	KH-24-089-55-S	1		Governor Spring
33	KH-24-089-18	1	/P	Governor Spring
35	KH-24-090-51-S	1	/P	Governor Lever
36	KH-24-126-172-S	1	/P	Control Bracket
38	KH-25-086-151-S	1		Thd. Frm. Screw, M5 X 0.8 X 25mm
39	KH-32-089-03-S	1		Speed Control Spring
40	KH-32-090-07-S	1		Governor Spring Lever
41	KH-32-090-08-S	1		Speed Control Lever
42	KH-32-090-09-S	1		Speed Setting Lever
43	KH-32-090-10-S	1		Choke Lever



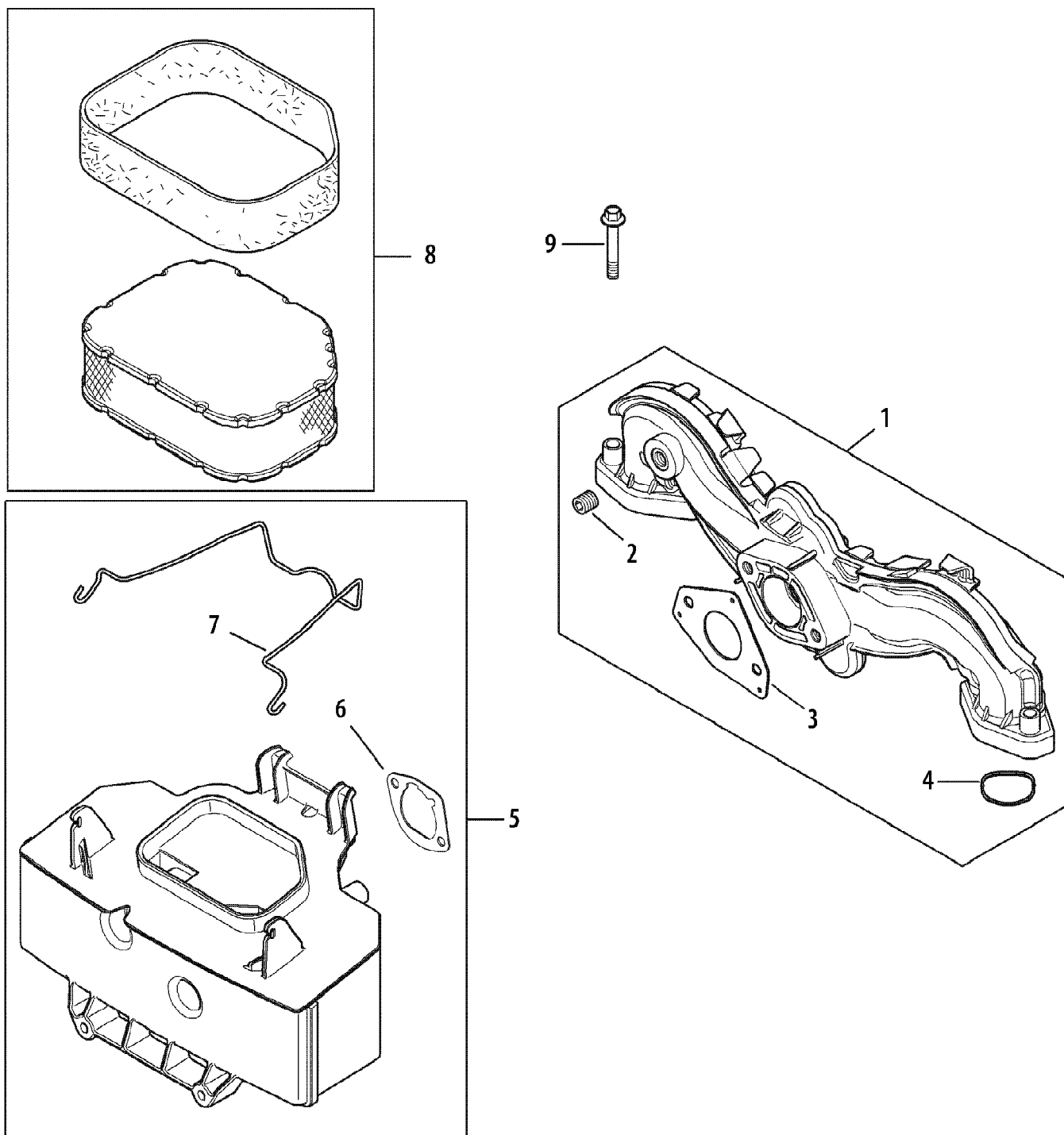
LTX1046 Tractor (2010 & After)  
Kohler SV715 Crankcase & Crankshaft

Page 17 of 45

Ref #	Part Number	Qty	S/P/F	Description
2	KH-25-153-02-S	1		Dipstick Assembly (Includes 2)
3	KH-M-545013-S	1		Fig. Thd. Frm. Screw, M5 X 0.8 X 13
7	KH-24-126-19	1		Oil Fill Tube Bracket
10	KH-24-018-04-S	1		Breather Reed Retainer
11	KH-12-402-02	1		Breather Reed
12	KH-24-380-16-S	1	/P	Locating Pin
14	KH-25-874-01-S	1	/P	Piston Kit w/ Ring Set (Inc. 15, 16)
15	KH-24-018-01-S	1	/P	Piston Pin Retainer
17	KH-12-422-07-S	1	/P	Camshaft Shim (White .028")
18	KH-32-012-01-S	1		Camshaft Kit (Inc. KH-25-357-14-S)
19	KH-28-032-09-S	1		Governor Cross Shaft Seal
20	KH-24-018-09-S	1		Ring Retainer
21	KH-M-931010-S	1		Flat Washer, 9 Mm
22	KH-24-468-15-S	1		Flat Washer, 11/32
23	KH-24-144-38-S	1	/P	Governor Cross Shaft
24	KH-24-038-04-S	1	/P	Dipstick Assembly (Inc. 2)
25	KH-25-874-03-S	1		Piston Kit w/ Ring Set (0.25) 83mm
28	KH-24-108-16-S	1	/P	Ring Set (.25)
29	KH-12-422-08-S	1	/P	Camshaft Shim (Blue .03")
30	KH-12-422-09-S	1	/P	Camshaft Shim (Red .032")
31	KH-12-422-10-S	1	/P	Camshaft Shim (Yellow .034")
32	KH-12-422-11-S	1	/P	Camshaft Shim (Green .036")
33	KH-12-422-12-S	1	/P	Camshaft Shim (Gray .038")
34	KH-12-422-13-S	1	/P	Camshaft Shim (Black .04")
36	KH-24-032-19-S	1	/P	Oil Seal (Helix Lip)
37	KH-24-067-24-S	1	S	Connecting Rod (Std)
38	KH-25-123-07-S	1	S	Tube Assembly (Inc. 4-6)
39	KH-24-108-14-S	1		Ring Set (Std)
40	KH-25-874-01-S	1	/P	Kit, Piston w/Ring
41	KH-52-139-09-S	1	/P	Cup Plug
42	KH-32-014-04-S	1	S	Crankshaft (Includes 2)
	KH-25-357-14-S	1		Camshaft Lubricant Not Shown
	KH-32-522-03	1		SV710-740 Shortblock Not Shown
	KH-32-755-01-S	1		Gasket Set Not Shown
	KH-SV715-0002	1		ENGINE ASM Not Shown

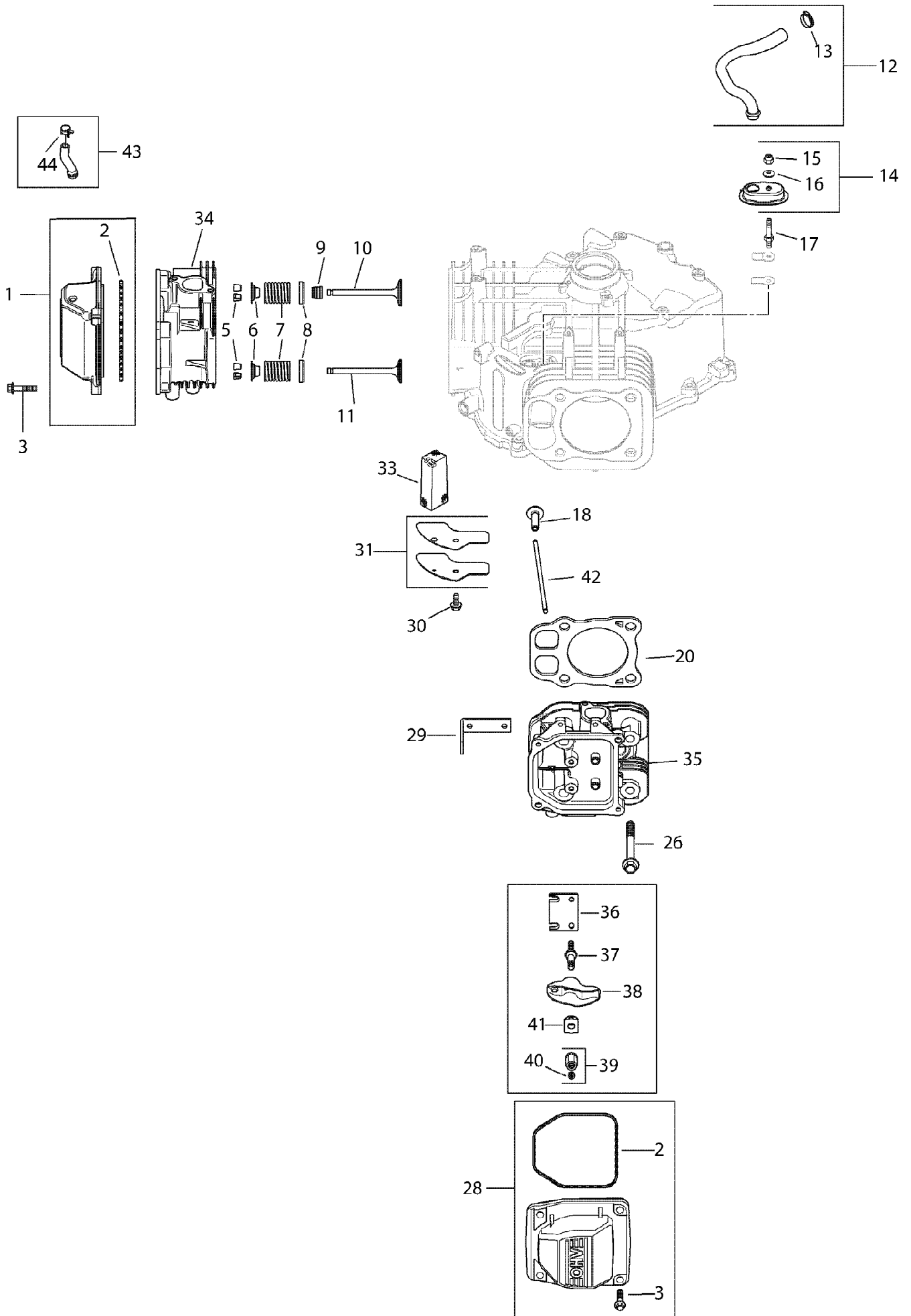


Ref #	Part Number	Qty	S/P/F	Description
2	KH-24-041-52-S	1	/P	Carburetor Gasket
3	KH-24-041-14	1	/P	Air Cleaner Base Gasket
4	KH-M-629105-S	1		Stud, M6 X 1.0 X 106
5	KH-M-641060-S	1	/P	Flg. Nut, M6 X 1.0
6	KH-25-237-14-S	1	/P	Hose Clamp, 1/2
7	KH-25-111-34-S	1		Fuel Line
11	KH-24-086-12	1		Tap Screw, M6 X 1.7 X 18
12	KH-24-393-16	1	/P	Fuel Pump
13	KH-25-050-22-S1	1	/P	Fuel Filter
14	KH-47-154-01-S	1	/P	Cable Clip
15	KH-32-853-11-S	1	/P	Carburetor Assembly, 19mm KEIHIN (Inc.2 & 3)
	KH-24-757-36-S	1		Choke Repair Service Kit (Inc. 2 & 3) Not Shown
	KH-24-757-38-S	1		Gasket Repair Service Kit (Inc. 2 & 3) Not Shown
	KH-24-757-44-S	1		Float Kit (Inc. 2 & 3) Not Shown
	KH-24-757-45-S	1	/P	Solenoid Valve Repair Kit (Inc. 2 & 3) Not Shown
	KH-24-757-46-S	1	/P	Carb Repair Overhaul Kit (Inc. 2 & 3) Not Shown



LTX1046 Tractor (2010 & After)  
 Kohler SV715 Fuel System, Air Intake & Filtration

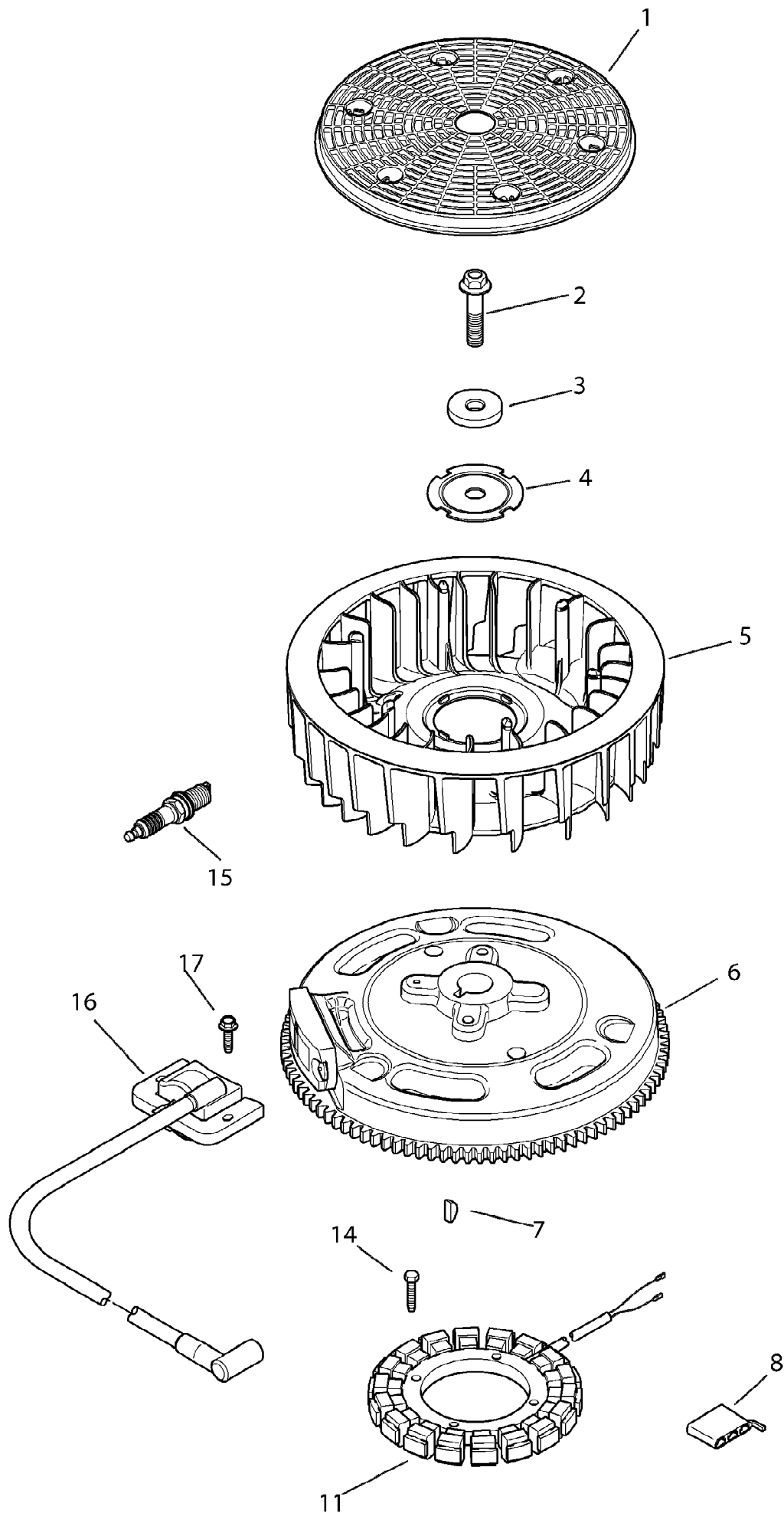
Ref #	Part Number	Qty	S/P/F	Description
1	KH-24-164-91-S	1	/P	Intake Manifold Kit (Inc. 2-4)
2	KH-24-041-52-S	1	/P	Carburetor Gasket
3	KH-24-153-27-S	1	/P	Intake Port O-Ring
4	KH-25-139-60-S	1	/P	Pipe Plug, 1/8
5	KH-32-094-04-S	1	/P	Air Cleaner Base Kit (Inc. 5 & 6)
6	KH-24-041-14	1	/P	Air Cleaner Base Gasket
7	KH-32-344-02-S	1		Air Cleaner Element Latch
8	KH-32-883-03-S1	1	/P	Air Filter Element
9	KH-M-651040-S	1		Flg. Screw, M6 X 1.0 X 40
10	KH-32-883-03-S1	1	/P	Pre-Cleaner Element
	KH-24-757-45-S	1	/P	Solenoid Valve Repair Kit (Inc. 2 & 3) Not Shown
	KH-24-757-46-S	1	/P	Repair Overhaul Kit (Inc. 2 & 3) Not Shown



LTX1046 Tractor (2010 & After)  
Kohler SV715 Head, Valve & Breather

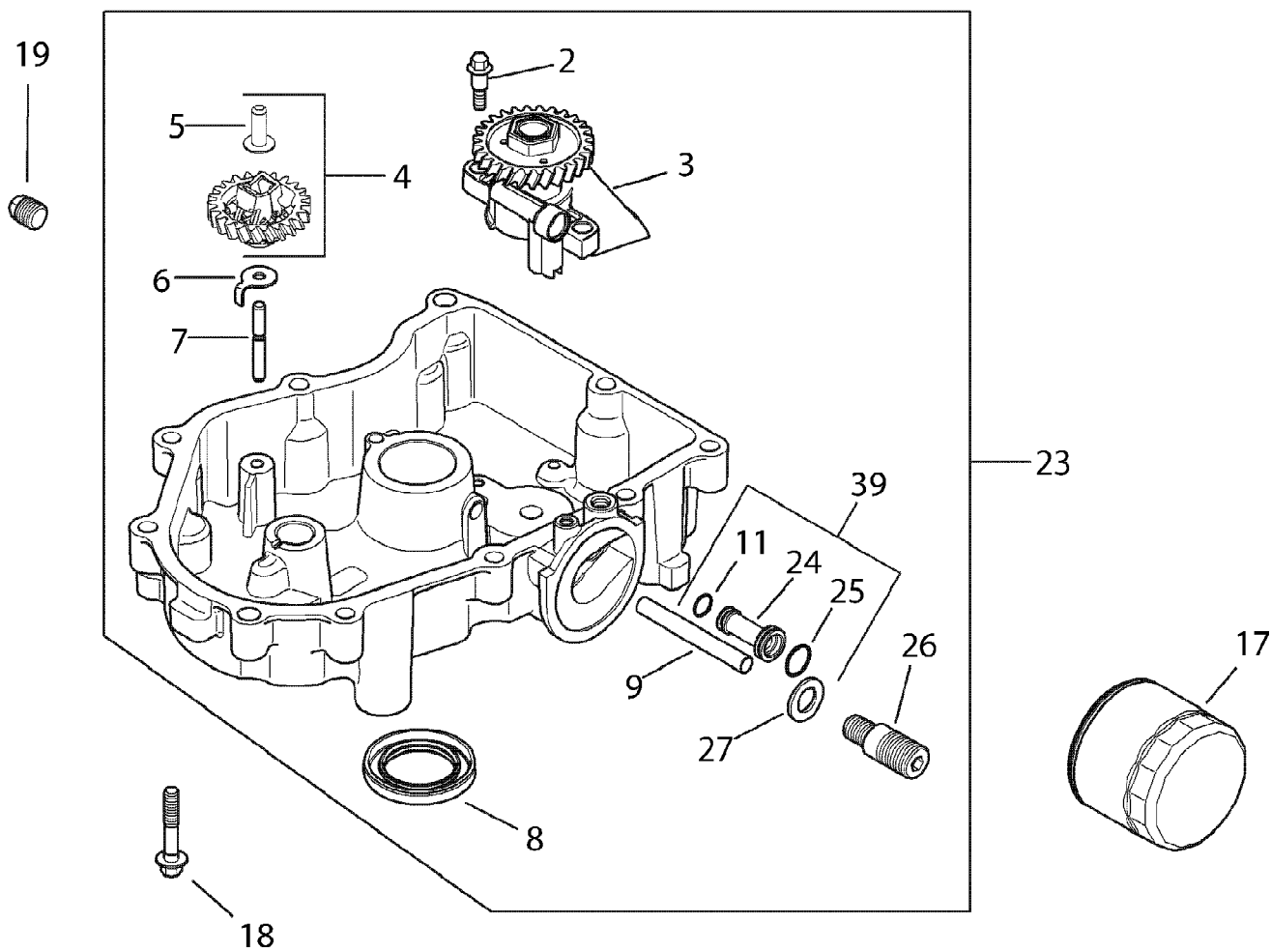
Page 23 of 45

Ref #	Part Number	Qty	S/P/F	Description
1	KH-32-096-06-S	1		Breather Valve Cover Kit (Inc. 2)
2	KH-24-153-30-S	1	/P	Valve Cover O-Ring
3	KH-M-651030-S	1		Flg. Screw, M6 X 1.0 X 30
5	KH-12-755-03	1	/P	Retainer Kit
6	KH-12-173-01	1	/P	Valve Spring Cap
7	KH-24-089-02	1	/P	Valve Spring
8	KH-235011-S	1	/P	Spring Retainer
9	KH-66-032-05-S	1	/P	Valve Stem Seal
10	KH-24-017-01	1	/P	Intake Valve (Std)
11	KH-24-016-01	1	/P	Exhaust Valve (Std)
12	KH-32-326-06-S	1		Kit, Breather Hose Kit (Inc. 13)
13	KH-25-237-14-S	1	/P	Hose Clamp, 1/2
14	KH-32-081-02-S	1		Breather Housing Kit (Inc. 15, 16)
15	KH-M-547050-S	1		Lock Nut, M 5 X .8
16	KH-32-468-01-S	1		Sealing Washer
17	KH-32-072-03-S	1		Breather Cover Stud
18	KH-32-019-02-S	1	/P	Tappet
20	KH-32-841-01-S	1		Cylinder Head Gasket Kit (Inc. 26, KH-24-041-49-S And KH-24-153-27-S)
26	KH-12-086-16	1	S	Flg. Screw, M 10 X 1.5 X 90
28	KH-24-755-141-S	1	/P	Breather Valve Cover Kit (Inc. 2 & 3)
29	KH-25-445-01-S	1	/P	Lifting Strap
30	KH-M-645016-S	1	/P	Flg. Thd. Frm. Screw, M6 X 1.0 X 16
31	KH-32-096-04-S	1		Breather Cover Kit (Inc. 32)
33	KH-32-050-01-S	1		Breather Filter
34	KH-32-318-13-S	1	/P	#1 Cylinder Head Assembly Kit (Inc. Exhaust Mounting Hardware)
35	KH-32-318-14-S	1	/P	#2 Cylinder Head Assembly Kit (Inc. Exhaust Mounting Hardware)
36	KH-32-146-09-S	1		Guide Plate
37	KH-32-072-04-S	1		Rocker Stud
38	KH-32-186-03-S	1		Rocker Arm
39	KH-32-100-05-S	1		Hex Nut Assembly (Includes 39)
40	KH-25-086-168-S	1	/P	Set Screw
41	KH-25-599-01-S	1		Rocker Arm Pivot
42	KH-32-411-04-S	1	/P	Push Rod
43	KH-32-326-07-S	1	/P	Fuel Pump Hose w/ Clamp Kit (Inc. 44)
44	KH-25-237-01-S	1		Hose Clamp
	KH-32-755-03-S	1		Cylinder Head Hardware Kit Not Shown(Services 1 Head, Quantities Listed Are For Both Heads) (Inc. 5-11, 19, 22, 25 & 34)
	KH-24-153-27-S	1	/P	Intake Port O-Ring Not Shown

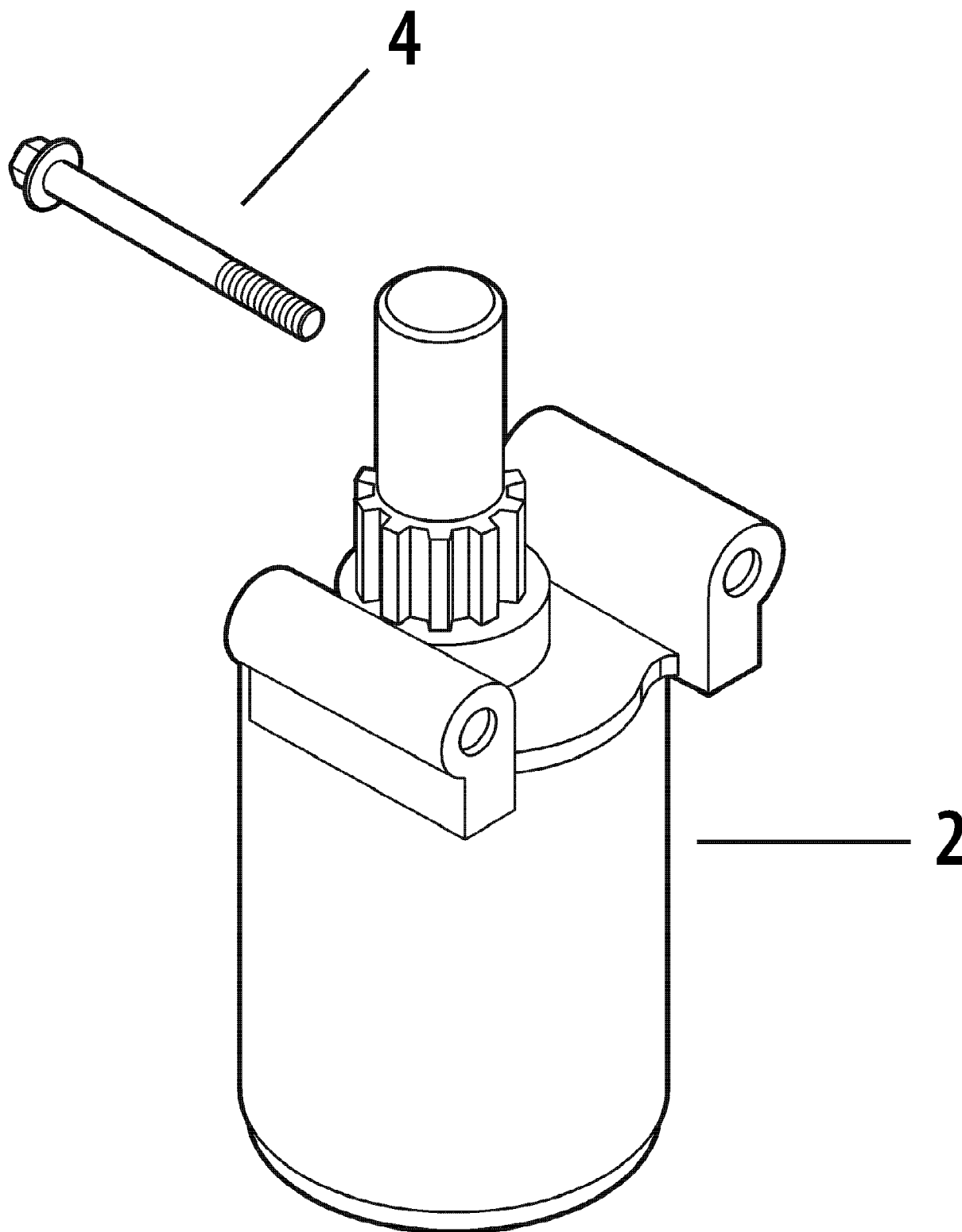


LTX1046 Tractor (2010 & After)  
 Kohler SV715 Ignition & Electrical

Ref #	Part Number	Qty	S/P/F	Description
1	KH-32-162-03-S	1		Grass Screen
2	KH-12-086-14	1		Flg. Screw, M 10 X 1.5 X 45
3	KH-12-468-03	1	/P	Flat Washer, 13/32
4	KH-20-146-05-S	1	/P	Fan Mounting Plate
5	KH-32-157-01-S	1		15 Amp Stator Kit (Inc. KH-25-452-01-S)
6	KH-32-025-16-S	1	/P	Flywheel Assembly
7	KH-X-42-15	1	/P	Key, 3/16 X 5/8
8	KH-25-155-41-S	1	/P	Connector
11	KH-237878	1	/P	15 Amp Stator Kit
14	KH-M-548025-S	1	/P	Thd. Frm. Screw, M5 X 0.8 X 25
15	759-3336	1	/P	Spark Plug
16	KH-24-584-45-S	1	/P	Module Ignition Kit
17	KH-M-545020-S	1		Flg. Thd. Frm. Screw, M5 X .8 X 20
	KH-25-454-03-S	1		Wire Tie Not Shown
	KH-25-454-05-S	1		Tie Not Shown
	KH-32-176-24-S	1		Wiring Harness Not Shown
	KH-25-454-05-S	1		Tie Not Shown
	KH-25-452-01-S	1		Terminal Not Shown



Ref #	Part Number	Qty	S/P/F	Description
2	KH-32-086-01-S	1		Shd. Thd. Frm. Screw, M6 X .0 X 6.5
3	KH-32-393-10-S	1	/P	Oil Pump Assembly
4	KH-24-043-12	1	/P	Governor Gear w/ Pin Kit (Inc. 5)
5	KH-12-380-01	1	/P	Governor Regulating Pin
6	KH-24-448-02-S	1		Locking Tab
7	KH-12-144-02	1		Governor Gear Shaft
8	KH-25-032-06-S	1	/P	Oil Seal
9	KH-32-123-01-S	1		Oil Feed Tube - Filter To Pan
11	KH-24-153-01	1	/P	Oil Pick-Up O-Ring
13	KH-25-139-60-S	1	/P	Plug, Ctsk. Pipe Plug, 1/8
17	KH-12-050-01-S	1	/P	Oil Filter
18	KH-24-086-17-S	1	/P	Flg. Screw, M8 x 1.25 x 45
19	KH-25-139-57-S	1	/P	Sq. Hd. Pipe Plug, 3/8
23	KH-32-199-14-S	1	/P	Oil Pan Assembly (Inc. 2-9, 11, 24-27)
24	KH-32-123-06-S	1		Oil Feed Tube
25	KH-32-153-05-S	1		O-Ring
26	KH-32-136-05-S	1		Oil Filter Nipple
27	KH-32-468-02-S	1		Flat Washer
39	KH-32-123-09-S	1		Oil Feed Tube Assembly (Includes 11, 24, 25)

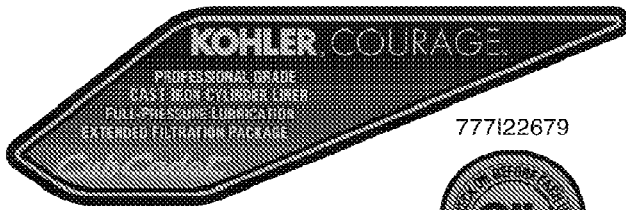


LTX1046 Tractor (2010 & After)  
Kohler SV715 Starting System

Page 29 of 45

Ref #	Part Number	Qty	S/P/F	Description
2	KH-32-098-03-S	1	/P	Starter Assembly
4	KH-M-851080-S	1	/P	Flg. Screw, M8 X 1.25 X 80

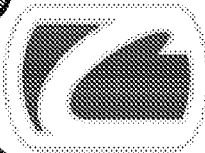
777D13240



777I22679



777D12864



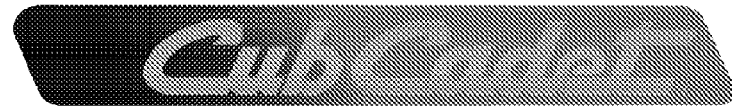
777D13241



777I23293



777D12928



777S33233

**A DANGER**  
ROTATING BLADES CAUSE SERIOUS INJURY OR DEATH

- DO NOT MOW WHEN CHILDREN OR OTHERS ARE AROUND
- NEVER CARRY CHILDREN EVEN WITH BLADE(S) OFF
- LOOK DOWN AND BEHIND BEFORE AND WHILE BACKING
- MOWING IN REVERSE IS NOT RECOMMENDED

**A WARNING**  
TO AVOID SERIOUS INJURY OR DEATH

- GO UP AND DOWN SLOPES, NOT ACROSS
- AVOID SUDDEN TURNS
- DO NOT OPERATE THE UNIT WHERE IT COULD SLIP OR TIP
- IF MACHINE STOPS GOING UPHILL, STOP BLADE(S) AND BACK DOWNHILL SLOWLY
- KEEP SAFETY DEVICES (GUARDS, SHIELDS, AND SWITCHES, ETC.) IN PLACE AND WORKING
- REMOVE OBJECTS THAT COULD BE THROWN BY THE BLADE(S)
- KNOW LOCATION AND FUNCTION OF ALL CONTROLS
- BE SURE BLADE(S) AND ENGINE ARE STOPPED BEFORE PLACING HANDS OR FEET NEAR BLADE(S)
- BEFORE LEAVING OPERATOR'S POSITION, DISENGAGE BLADE(S), ENGAGE PARKING BRAKE, SHUT OFF AND REMOVE KEY

**READ OPERATOR'S MANUAL**

**A WARNING**  
Operation of This Equipment May Create Sparks That Can Start Fires Around Dry Vegetation. A Spark Arrestor May Be Required. The Operator Should Contact Local Fire Agencies For Laws Or Regulations To Fire Prevention Requirements.

**STOP/START**

- DISENGAGE BLADES/PTO, (POWER TAKE OFF)
- ENGAGE THE TRACTOR'S PARKING BRAKE
- ACTIVATE THE CHOCKS CONTROL
- TURN KEY TO START POSITION AFTER START RELEASE KEY & DEACTIVATE CHOCK BY PLACING THROTTLE TO FAST "HARBY" POSITION

**OPERATING MODES**

**NORMAL MOWING**  
YOU MUST DISENGAGE BLADES/PTO, (POWER TAKE OFF) BEFORE TRAVELING IN REVERSE.

**REVERSE CAUTION MODE**

- TURN KEY TO REVERSE CAUTION MODE POSITION
- PRESS REVERSE PUSH BUTTON, (RED INDICATOR LIGHT "ON") WHEN RED LIGHT IS "ON" MACHINES CAN BE OPERATED IN REVERSE WITH MOWER BLADES ENGAGED
- AFTER RESUMING FORWARD OPERATION, RETURN KEY TO "NORMAL MOWING" POSITION

**NOTE:** IN BOTH MODES, WHEN OPERATOR LEAVES SEAT, ENGINE WILL STOP UNLESS PARKING BRAKE IS SET AND BLADES ARE DISENGAGED.

**LOWER DASH**

**PARKING BRAKE**  
PRESS BRAKE PEDAL, PUSH PARKING BRAKE LEVER DOWN AND RELEASE PEDAL TO LOCK

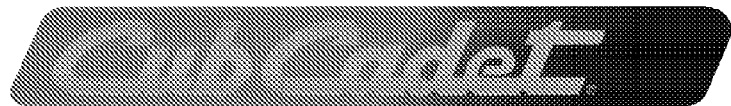
**CRUISE CONTROL**  
PRESS SPEED CONTROL PEDAL TO DESIRED SPEED, PUSH CRUISE CONTROL LEVER DOWN AND RELEASE PEDAL, PRESS BRAKE OR SPEED CONTROL TO RELEASE

**FORWARD**  
REVERSE

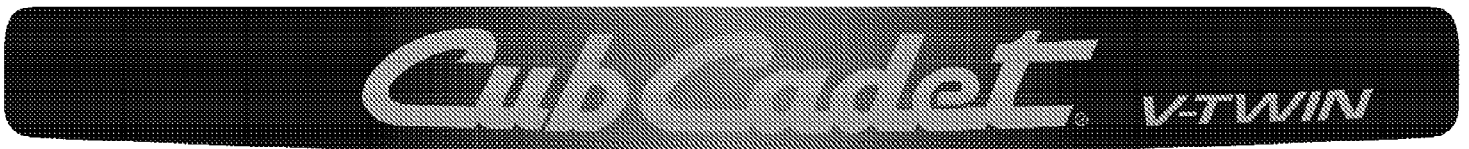
(LOCATED ON MOWER RIGHT) (LOCATED ON SPEED CONTROL PEDAL)

**For A List Of Optional Attachments, Please Refer To Your Operator's Manual.**

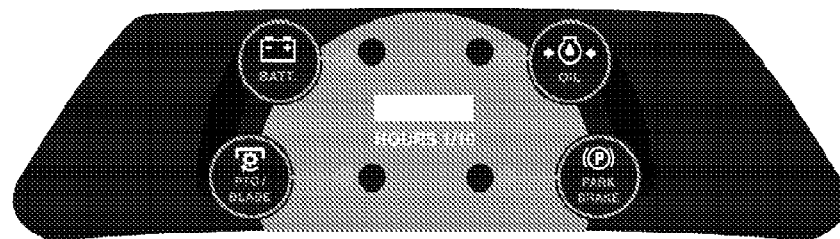
777D12929



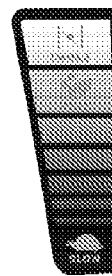
777D13983



777I23292



777I23294



777D14333



777D14332



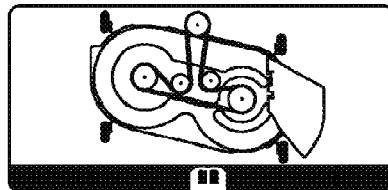
777S30018

**A DANGER**  
AVOID SERIOUS INJURY OR DEATH

- KEEP HANDS AND FEET AWAY FROM ROTATING PARTS
- REMOVE OBJECTS THAT CAN BE THROWN BY THE BLADE IN ANY DIRECTION. WEAR SAFETY GLASSES
- DO NOT MOW WHEN CHILDREN OR OTHERS ARE AROUND
- NEVER CARRY CHILDREN EVEN WITH BLADES OFF
- USE EXTRA CAUTION ON SLOPES. DO NOT MOW SLOPES GREATER THAN 15°. MOW UP AND DOWN, NOT ACROSS. AVOID SUDDEN TURNS. USE LOW SPEED

READ OPERATOR'S MANUAL. KEEP SAFETY DEVICES IN PLACE AND WORKING.

777I22481



777S23132

**TRANSMISSION RELEASE**

ENGAGED / RELEASED

LIFT ROD UP TO ENGAGE TRANSMISSION.

LIFT ROD DOWN TO RELEASE TRANSMISSION.

777D13924



777I23133



777S30503

**A DANGER**  
KEEP HANDS AND FEET AWAY. DO NOT OPERATE MOWER UNLESS CHUTE DEFLECTOR OR ENTIRE GRASS CATCHER IS IN ITS PROPER PLACE.

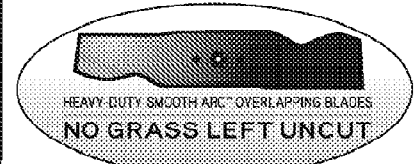
ASSEMBLE CHUTE DEFLECTOR TO THIS UNIT BEFORE OPERATING.

777X44336

MODEL LTX 1046 REPLACEMENT PARTS		
Use only Cub Cadet genuine factory parts		
Blades	942-0424A (2)	Oil Filter
Lower Drive Roll	054-04207	Air Filter w/Fre-Cleaner
Engines To Deck Belt	054-04210	Spark Plug
Deck Spindles	018-046308	Fuel Filter
Ignition Key	775-20944	Oil Capacity
Reeloid	825-04493	57.6 qt

www.cubcadet.com

777X43873



Ref #	Part Number	Qty	S/P/F	Description
777D13240	777D13240	1		LABEL-KOHLER ENG RH CUB CADET
777I22679	777I22679	1		LABEL-CHECK ENG OI
777D12864	777D12864	1		LABEL-C LOGO GRILLE C CADET
777S33233	777S33233	1		LABEL-FLOORBRD SAFETY HYDRO
777D13241	777D13241	1		LABEL-KOHLER ENG LH CUB CADET
777I23293	777I23293	1		LABEL-DECK HEIGHT
777D12928	777D12928	1		LABEL-LFT SIDE HOOD SCOOP
777D12929	777D12929	1		LABEL-RGT SIDE HOOD SCOOP
777D13983	777D13983	1		LABEL-FENDER REAR V-TWN C CADET
777I23292	777I23292	1		LABEL-A STY DASH PNL
777I23294	777I23294	1		LABEL-THROTTLE/CHOKE
777D14333	777D14333	1		LABEL-LTX 1046 HYDRO V-TWN
777D14332	777D14332	1		LABEL-LTX 1046 HYDRO V-TWN
777I23133	777I23133	1		LABEL-FUEL LEVEL
777D13924	777D13924	1		LABEL-DECK WASH SYSTEM
777X43873	777X43873	1		LABEL-OVERLAP BLADE 46 OFFSET
777S23132	777I23132	1		LABEL-HYDRO RELEASE
777S30018	777S30018	1	/P	LABEL-DECK SAFETY
777I22481	777I22481	1		LABEL-BELT ROUTING
777S30503	777S30503	1	/P	LABEL-DANGER CHUTE
777X44336	777X44336	1		LABEL-PARTS LIST LTX 1046



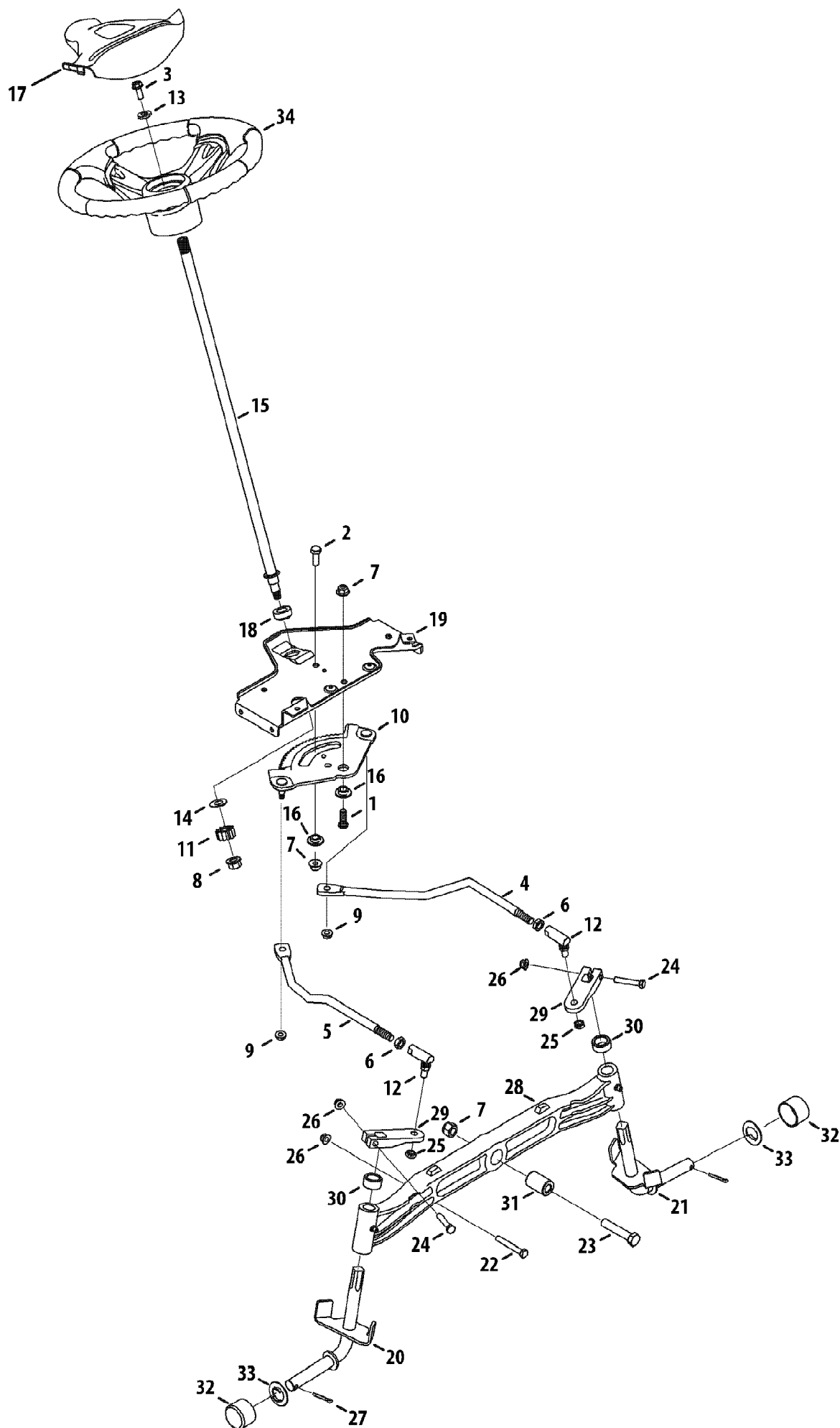
Ref #	Part Number	Qty	S/P/F	Description
1	918-04636A	1	/P	Spindle Assembly, Pulley 6.93 Dia.
2	683-0254B-4021	1		Bracket Assembly, Deck, Hanger LH
3	983-04468-4021	1	/P	Deck Assembly, Offset, 46"
4	710-04484	1		Screw, Self-tapping, 5/16-18, .750,
5	710-0514	1	/P	Hex Screw, 3/8-16, 1.00, Gr5, Std
6	710-0528	1	/P	Hex Screw, 5/16-18, 1.25, Gr5, Std
7	710-0599	1	/P	Screw, Self-tapping, 1/4-20, 0.500,
8	710-3144	1	/P	Hex Screw, 3/8-16, 2.00, Gr5, Std
9	710-3178	1	/P	Bolt, Carriage, 3/8-16, 0.75, Gr1
10	712-0229	1		Nut, Push, 3/8
11	712-04065	1	/P	Nut, Flange Lock, 3/8-16, Nylon
12	712-0417A	1	/P	Nut, Flange, 5/8-18
13	712-04243	1		Nut, 1/2-13
14	712-0641	1	S	Nut, Hex, M16-1.5 Din 936
15	753-04070	1	/P	Pin, Lynch, .1875
16	914-0470	1	/P	Pin, Cotter, 1/8 X 1.25
17	917-04074	1	/P	Gear, Deck, Adj
18	921-04041	1	/P	Adapter, Water
19	731-06496	1		Cover, Belt, Universal
20	732-0459C	1	/P	Spring, Extension, .94 Dia. X 6.74
21	732-04652	1		Spring, Compression, .535 OD X 1.75
22	734-04155	1		Wheel, Deck, 5.0 Dia. Ball
23	936-0119	1	/P	Washer, Lock, 5/16, Regular Duty
24	936-0179	1	/P	Washer, Flat, .531 X 1.25 X .100
25	736-0225	1	/P	Washer, Lock, 5/8, Int. Tooth
26	736-0262	1	/P	Washer, Flat, .385 X .870 X .092
27	736-0317	1	/P	Washer, Bell, .63 X 1.25 X .18
28	936-0344	1	/P	Washer, Flat, .385 X 1.0 X .030
29	737-04003D	1	/P	Port, Water
30	738-04162A	1	/P	Spacer, Shoulder, .8840 X .190
31	938-3056	1	/P	Bolt, Shoulder, .496 X 2.50, 3/8-16
32	942-04244A	1	/P	Blade, Cut, 23.25" 2-In-1, Cub
33	747-04944A	1	S	Rod, Lift, Deck, Front, 13.7
34	631-04288	1	/P	Chute Assembly, 46" Deck
35	747-1116	1	/P	Rod, Deck Release .375 Dia.
36	954-04219	1	/P	Belt, V-Type, A Sec
37	756-04129B	1	/P	Pulley, Idler, 4.25" Dia.
38	711-04847A	1	S	Pin, Hinge, 7.96
39	783-06074	1		Bracket, Chute
40	783-05946	1		Bracket, Idler, Pivot
41	783-06243-0637	1		Bracket, Cable, Deck Engage
42	783-06368-0637	1	S	Bracket, Guard, Belt, 4.25 Pulley
43	783-06643-0637	1		Bracket, Support, Stationary Idler
44	732-04372	1		Spring, Torsion, .44 I.D. X 2.0
45	712-0417A	1	/P	Nut, Flange, 5/8-18
46	937-3000	1	/P	Lube Fitting, 3/16
47	738-1186A	1		Shaft, Spindle, 6.11
48	941-0919	1	/P	Bearing, Ball, .787 X 1.85 x.551
49	750-04936	1		Spacer, .792 X 1.060 X 1.860
50	756-04356	1		Pulley, Deck, 6.93 Dia.
51	734-0973	1	/P	Wheel, Deck 5.0 x 1.38
52	938-0373	1	/P	Bolt, Shoulder, .496 x 1.525, 3/8-16



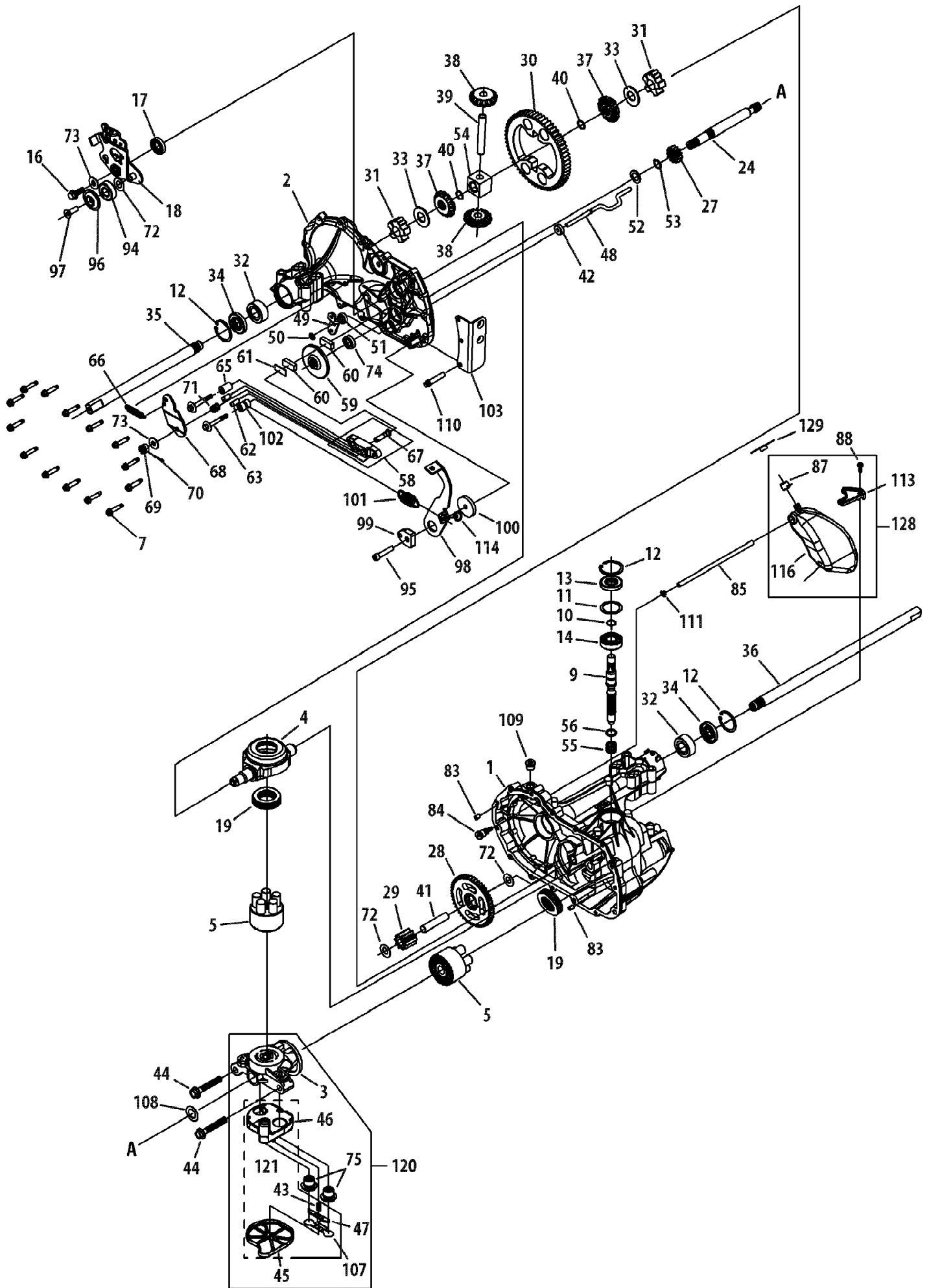
Ref #	Part Number	Qty	S/P/F	Description
	759-3336	1	/P	Spark Plug
	KH-32-883-03-S1	1	/P	Air Filter & Pre-Cleaner
	KH-12-050-01-S	1	/P	Oil Filter
	KH-25-050-22-S1	1	/P	Fuel Filter
	KH-24-584-45-S	1	/P	Ignition Module
	N/A	1		Voltage Regulator
	KH-24-393-16	1	/P	Fuel Pump
	KH-24-757-46-S	1	/P	Carb Repair Kit
	KH-24-757-45-S	1	/P	Carburetor Solenoid
	954-04207	1	/P	Drive Belt (Trans)
	954-04219	1	/P	PTO/Deck Belt
	942-04244A	1	/P	Blades 2 used
	712-0417A	1	/P	Blade Nut
	918-04636A	1	/P	Spindle Assy. w/Pulley
	734-04155	1		Deck Wheels (Front)
	734-0973	1	/P	Deck Wheels (Back)
	921-04041	1	/P	Water Nozzle Adapter
	923-0448A	1	/P	Ball Joints
	725-04363	1		Brake Switch
	751-0603A	1	/P	Fuel Cap
	725-04439	1		Solenoid
	925-2054A	1	/P	Ignition Keys
	925-04227B	1	/P	Ignition Switch Module
	725-04258	1	/P	P.T.O. Switch
	917-04552	1	/P	P.T.O. Clutch
	19A30003100	1		Bagger Attachment
	19A3005100	1		Mulch Attachment
	190-679-101	1		Bumper Attachment
	490-900-0041	1		Guage, Deck Accessory



Ref #	Part Number	Qty	S/P/F	Description
1	683-04223-0637	1	/P	Shaft Ass'y, Lift
2	712-04063	1	/P	Nut, Flange Lock, 5/16-18, Grf
3	712-04065	1	/P	Nut, Flange Lock, 3/8-16, Grf
4	914-0104	1	/P	Pin, Cotter, .072 Dia. x 1.13
5	714-04040	1	/P	Pin, Cotter, Bow-Tie 72
6	716-0106A	1		Ring, E Type, .625 Dia. Shaft
7	720-04139	1		Grip, Handle, Cub, .50 ID
8	732-0874	1	/P	Spring, Torsion
9	736-0105	1	/P	Washer, Spring, .401 x .870 x .063
10	738-0138A	1	/P	Screw, Shoulder, .437 x .470, 5/16-18
11	938-0380	1	/P	Bolt, Shoulder, .50, 3/8-16
12	941-0225	1	/P	Bearing, Hex Flange
13	746-0968	1		Cable, Lift, 16.16
14	747-04962A	1	/P	Handle, Lift,
15	756-04331	1		Pulley, Roller, Cable
16	783-05546A-0637	1	/P	Link, Lift
17	731-06584	1		Door, Cover, Fender
18	710-04484	1		Screw, Self-tapping, 5/16-18, .750,
19	712-3004A	1	/P	Nut, Flange Lock, 5/16-18, Gr5, Sd Lk
20	732-04563	1		Spring, Compr', .68 x 1.065 x .055
21	725-0157	1	/P	Cable, Tie, 3/16 x .05 x 7.4
22	732-04561	1		Spring, Compr, 1.71 x 3.735 x .238
23	938-0296	1	/P	Screw, Shoulder, .437 x .268, 5/16-18
24	783-06049-4021	1		Bracket, Mounting, Seat
25	783-06088-4021	1		Bracket, Pivot, Seat
26	783-06050	1		Lever, Seat Adjustment
27	783-06448	1		Clip, Retaining, Switch
28	710-1260A	1	/P	Hex Screw, 5/16-18, .75, Gr5, Std
29	710-0599	1	/P	Screw, Self-tapping, 1/4-20, 0.500,
30	710-0895	1		Screw, HL, 1/4-15, 0.750,
31	731-06700	1		Cover, Fender, RH
32	731-06676	1		Cover, Fender, LH
33	747-05039	1		Pin, Door
34	736-3078	1	/P	Washer, Flat .344 x 1.00 x .063
35	710-04482	1		Hex Flange Screw, 3/8/16, .875, Gr5
36	783-06118-4021	1		Fender, Cub Hydro
37	726-3046	1	/P	Clip, Ratchet, .250 Dia
38	735-04137	1		Pad, Foot, LH
39	735-04139	1		Pad, Foot, RH
40	757-04131	1		Seat, High Back Cloth, Cub
41	925-05013	1	/P	Switch, Seat
42	783-06181-0637	1		Bracket, Lift



Ref #	Part Number	Qty	S/P/F	Description
1	710-04095	1		Hex Screw, 3/8-16, 1.00, Gr5, Spec
2	710-0514	1	/P	Hex Screw, 3/8-16, 1.00, Gr5, Std
3	710-0650	1	/P	Hex Screw, 5/16-18, .875, Gr5, Lock
4	711-04998	1		Link, Drag LH
5	711-04999	1		Link, Drag RH
6	912-0240	1	/P	Nut, Jam, 7/16-20, Gr2
7	712-04065	1	/P	Nut, Flange Lock, 3/8-16, Grf,
8	712-0459	1	/P	Nut, Flange Lock, 7/16-20, Grb, Lock
9	712-3004A	1	/P	Nut, Flange Lock, 5/16-18, Gr5, Sd Lk
10	717-1550F	1	/P	Gear, Steering, 11/90 Ratio
11	717-1554	1		Gear, Pinion, Steering
12	923-0448A	1	/P	Ball Joint, 7/16-20, Lock
13	936-3004	1	/P	Washer, Flat, .406 x .875 x .105
14	736-3084	1	/P	Washer, Flat, .51 x 1.12 x .06
15	738-04262	1		Shaft, Steering, .625 OD x 25, Cub
16	738-04363	1		Spacer, Shoulder, .385x 1.25 x .3025
17	731-04532B	1		Cover, Steering Wheel, Cub Cadet
18	741-04237B	1	/P	Bearing, Flange, Hex 5/8 Pm
19	783-06043-0637	1		Bracket, Support, Steering
20	638-04022-0637	1		Axle Ass'y, RH .750 Dia. (46" Deck)
21	638-04028-0637	1		Axle Ass'y, LH .750 Dia. (46" Deck)
22	710-0395	1	/P	Hex Screw, 5/16-18, 2.25, Gr5, Std
23	710-0859	1	/P	Hex Screw, 3/8-16, 2.50, Gr5, Std
24	710-3180	1	/P	Hex Screw, 5/16-18, 1.75, Gr5, Std
25	912-0214	1	/P	Nut, Hex Lock, 3/8-24, Grb
26	712-04063	1	/P	Nut, Flange Lock, 5/16-18, Grf
27	714-0162	1	/P	Pin, Cotter, 5/32, 1.25
28	719-04413A	1		Axle, Pivot Bar, Cast
29	748-04065-0637	1	/P	Steering, Block
30	748-04068	1		Spacer, .71 ID x .125 OD x .56
31	750-05280	1		Spacer, .385 x 1.00 x 1.5075
32	731-05674	1	/P	Cap, Bumper
33	736-04228A	1		Washer, Flat, .350 x 1.559 x .062
34	631-04008A	1	/P	Wheel, Steering, 3 Spoke, Softgrip



Ref #	Part Number	Qty	S/P/F	Description
1	HG-70467	1		Main Housing Assembly
1	N/A	1		Main Housing, Machined
1	N/A	1		Bushing ,865 x 985 x .790
2	HG-70483	1	/P	Main Housing Assembly
2	N/A	1		Main Housing, Machined
2	N/A	1		Bushing ,865 x 985 x .790
2	N/A	1		Bushing 624 x 719 x .562
3	HG-70477	1		Center Section Assembly
3	N/A	1		Center Section Machined
3	N/A	1		Bushing. 707 x .788 x .591
4	HG-51048	1	/P	Swashplate, Trunnion Machined
5	HG-70331	1	/P	Block - Assembly
5	N/A	1		Block - Cylinder
5	N/A	1		Piston
5	N/A	1		Spring, Compression
5	N/A	1		Washer - Thrust
7	HG-51190	1	/P	Hex Flange Screw 1/4-20 x-1,25
9	HG-51062	1	/P	Shaft, Input
10	HG-2000022	1	/P	Ring - Retaining
11	HG-50951	1	/P	Spacer
12	HG-50329	1	/P	Ring - Retaining
13	HG-51161	1	/P	SeaL Lip .67 x 1.58 x .276
14	HG-50315	1		Ball Bearing 17mm Id x 40mm Od
16	HG-51064	1		Bolt. Flange 5/16-24 x .94 (Patch)
17	HG-51140	1	/P	Lip Seal 18 x 32 x 7
18	HG-51119	1	/P	Arm Control
19	HG-50551	1	S	Bearing 30x52 x 13 Thrust
24	HG-50966	1		Shaft Motor
27	HG-51130	1		Gear - Pinnion 13t
28	HG-51129	1		10t/48t Gear
29	HG-51043	1	/P	Gear Jot Jackshaft
30	HG-51044	1		60t Bull Gear
31	HG-51088	1	/P	Sleeve Bearing .75 x 1.750 x .625
32	HG-51089	1	/P	Sleeve Bearing .75 x 1.575 x .625
33	HG-44875	1	/P	Washer 3/4 Id x 1-1/2 Od x .13 Thk
34	HG-51066	1	/P	Lip Seal Axle Seal
35	HG-51079	1	/P	Shaft Axle .75 x 11.39 ( Dd R. H. )
36	HG-51078	1	/P	Shaft Axle .75 x 17.99 ( Dd, L, H.)
37	HG-44096	1	S	Miter Gear (Splined)
38	HG-44097	1		Miter Gear 15t (0.5 Id)
39	HG-50146	1		Shaft
40	HG-44871	1	/P	Ring, Spiral Retaining
41	HG-51083	1		Pin, Jackshaft
42	HG-51100	1		Magnet, Ring
43	HG-51136	1		Spring, Bypass
44	HG-50016	1		Hydro Mtg Screw 3/8-24 x 2.5
45	HG-51581	1		Bottom, Filter
46	HG-51580	1		Base Filter W/ Poppet
47	HG-51091	1		Actuator Bypass
48	HG-51098	1		Rod Bypass Actuator
49	HG-51135	1		Arm, Bypass
50	HG-51116	1	/P	Retaining Ring 0.250 External
51	HG-51081	1	/P	Seal Lip .741 x .250 x .250 Tc

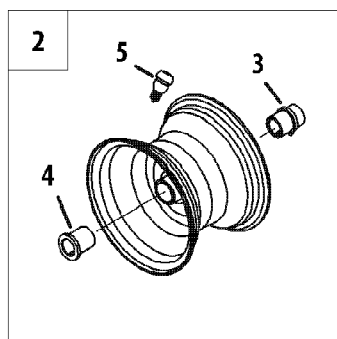
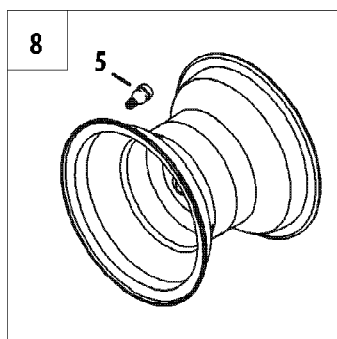
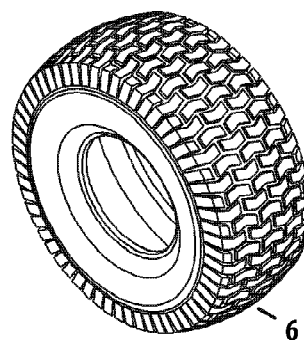
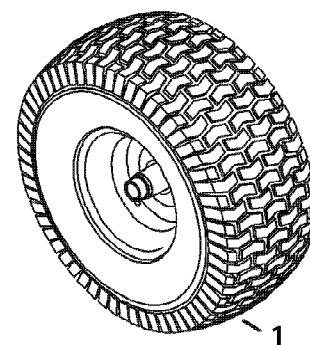
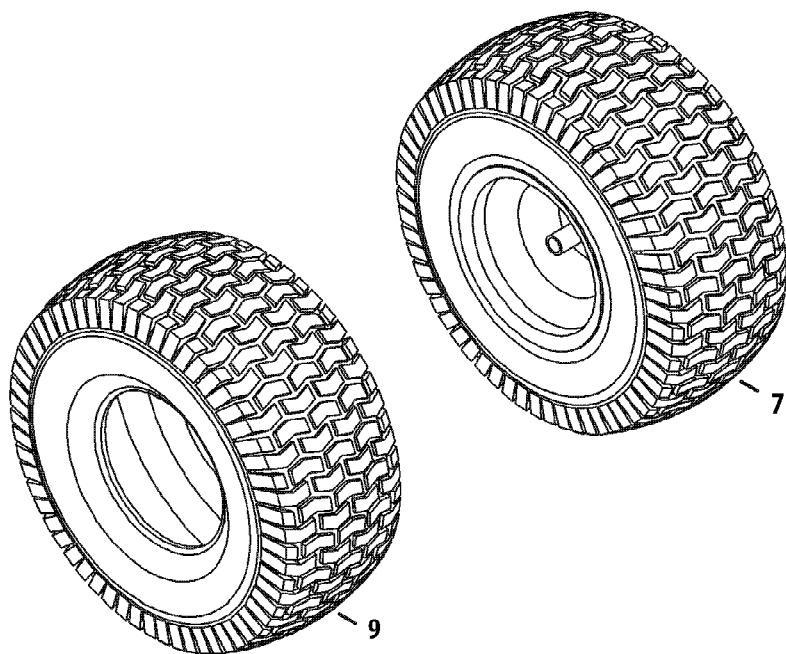
LTX1046 Tractor (2010 & After)  
Transmission, Hydrostatic

Page 42 of 45

Ref #	Part Number	Qty	S/P/F	Description
52	HG-44371	1	/P	Flat Washer 5/8 Id x 1.0 Od x .05
53	HG-44145	1		Retaining Ring
54	HG-51071	1		Bearing, Center Block
55	HG-2003014	1	/P	Spring - Helical Compression
56	HG-2003017	1	/P	Washer
58	HG-62589	1	/P	Kit, Brake Yoke
58	N/A	1		Brake Yoke
58	N/A	1		Sq. Hd, Bolt 5/16-24 Ribbed
59	HG-51072	1	/P	Rotor, Brake
60	917-0678	1	/P	Brake Puck
61	917-0682	1	/P	Puck Plate
62	941-0343	1	/P	Brake Actuating Pin
63	HG-51146	1		Hex Screw 1/4-20 x 2 w/ Patch
65	HG-23711	1		Spacer
66	HG-70896	1		Kit, Spring
67	HG-44138	1		So. Hd, Bolt 5/16-24- Ribbed
68	HG-44094	1	/P	Arm, Brake
69	912-0273	1	/P	Slotted Hex Nut 5/16-24
70	914-0507	1	/P	Cotter Pin 3/32 x 3/4
71	HG-50919	1	/P	Comp. Spring Brake Anti-Drag
72	HG-50132	1	/P	Washer, Ht .5 I. D. x 1 OD, x .032
73	736-0371	1	/P	Flat Washer, 1 1/32 ID x 7/8 OD
74	HG-70719	1	/P	Kit, Seal
74	N/A	1		Oil, Seal 625 x Lo x .25
74	N/A	1		Ring, Ret-Star Washer
74	N/A	1		Bulletin, Shaft Seal
75	HG-51084	1	/P	Check Plug Assem, .027 Washer
83	HG-9004800-2506	1	/P	Pin, Standard Headless
84	HG-51143	1	/P	Fitting, 5/16 Sae 5/32 Tube
85	HG-51147	1		Hose, Expansion Tank
87	HG-51251	1		Cap,. Vent
88	HG-50653	1	/P	Bolt, Self Tapping 10-32 x 112
94	HG-44147	1		Ball Bearing .62 Id x 1,38 x 44
95	HG-50837	1		Cap Screw, 5/16-24 x 1-112
96	HG-51200	1		Spacer, Locating
97	HG-50870	1		Screw, Sfhcs
98	HG-51120	1		Arm, Return
99	HG-51097	1		Puck, Adjusting
100	HG-51122	1		Washer, .325 OD x 1.6 ID x .150
101	HG-51131	1	/P	Spring, Extension
102	HG-51123	1		Spacer, .56 x .26 x .87
103	HG-51223	1		Bracket, Torque
107	HG-51134	1		Deflector
108	HG-51069	1		Washer, Motor Shaft .71 Id 1.15 Od
109	HG-9005110-5600	1	/P	Plug, SAE #6
110	HG-50868	1		Torx Head Screw, 5/16-18
111	HG-51144	1		O-Ring, .07 x .301 ID
113	HG-51179	1		Bracket, Support Expansion Tank
114	HG-51184	1	/P	Spring Guide
116	HG-51196	1		Silicon Sponge
120	HG-70759	1		Center Section - Bypass Assm
120	N/A	1		Center Section Machined
120	N/A	1		Base Filter w/ Poppet

LTX1046 Tractor (2010 & After)  
Transmission, Hydrostatic

Ref #	Part Number	Qty	S/P/F	Description
120	N/A	1		Check Plug Assembly
120	N/A	1		Spring Bypass
120	N/A	1		Actuator Bypass
120	N/A	1		Deflector
120	N/A	1		Bottom, Filter
120	N/A	1		Bushing, .707 x .788 x .591
121	HG-70756	1	/P	Filter Assembly
121	N/A	1		Bottom Filter
121	N/A	1		Base Filter w/ Poppet
121	N/A	1		Spring Bypass
121	N/A	1		Actuator Bypass
121	N/A	1		Deflector
128	HG-70503	1	/P	Kit, Expansion Tank
128	N/A	1		Tank, Expansion
128	N/A	1		Cap, Vent
128	N/A	1		Bolt, Self Tapping 10-32 x 1/2
128	N/A	1		Bracket, Support Expansion Tank
128	N/A	1		Silicon-Sponge 112 x 1/2 x 3/16
129	HG-51252	1		Cap, Expansion Tank Shipping
	HG-50928	1	/P	Sealant Not Shown
	HG-70463	1	/P	Seal, O-Ring Kit Not Shown
		1		20w-50 Oil (78.8 oz) Not Shown



LTX1046 Tractor (2010 & After)  
Wheels, Front & Rear

Page 45 of 45

Ref #	Part Number	Qty	S/P/F	Description
1	N/A	1		Wheel Ass'y, Complete, 15 x 6 x 6
2	634-04405-0499	1		Rim Ass'y, 6.0 x 4.5, Plastic Bearings
3	741-0990B	1	/P	Bearing, Flange, .760 ID w/ Fitting
4	741-0516B	1	/P	Bearing, Flange, .760 x 1.00 x 1.20
5	934-0255	1	/P	Valve, Tubeless Air
6	734-1731-0901	1	/P	Tire, 15 x 6 x 6 Sq Shoulder
7	634-0177-0931	1		Wheel, Complete, 20 x 10 x 8
8	634-04369-0499	1		Rim Ass'y, 8.0 x 7.0 x .750 ID
9	734-1730-0901	1	/P	Tire, 20 x 8 x 8 Sq Shoulder