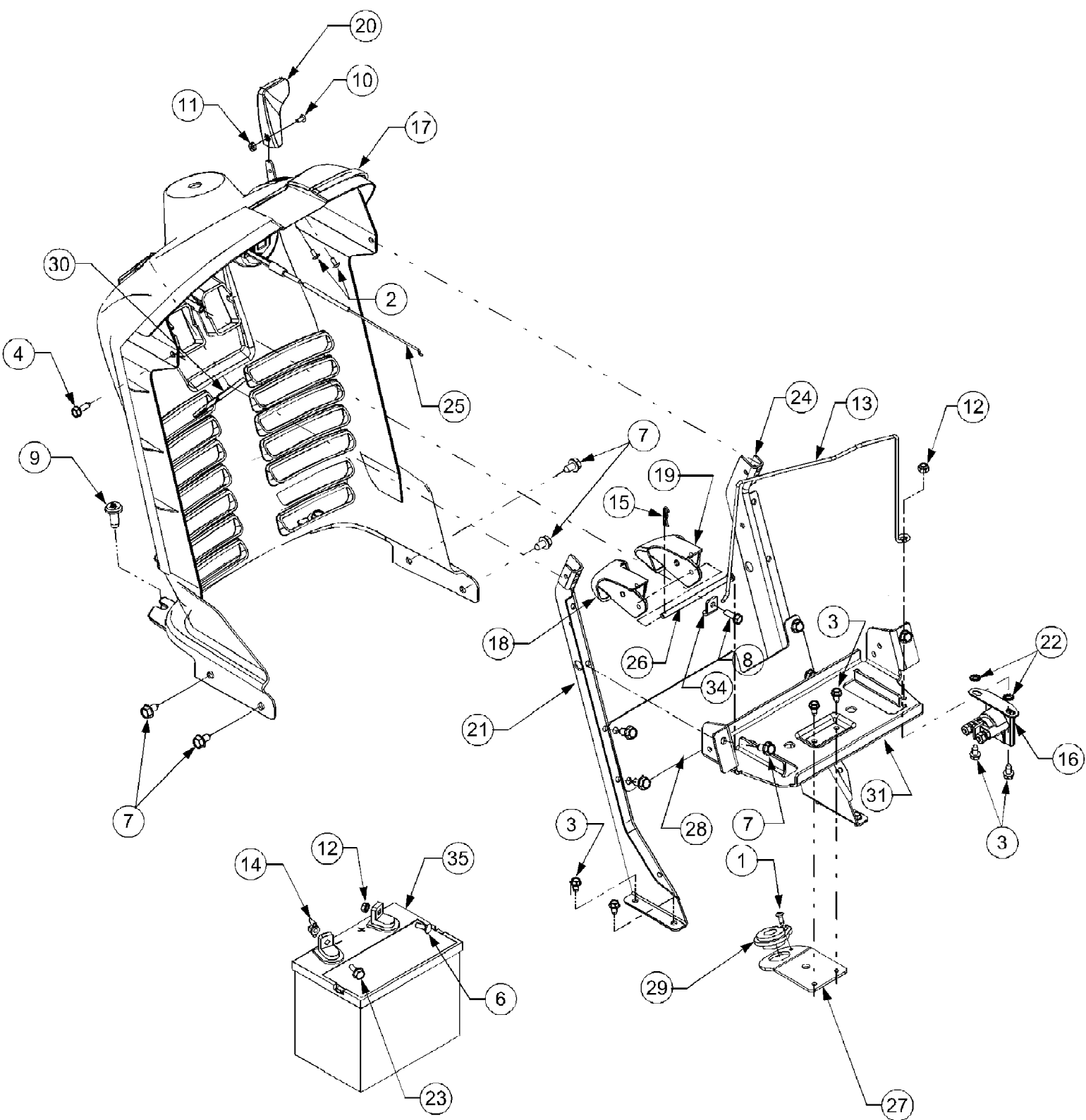


LT1018 Tractor  
Adjustable Seat

Page 2 of 71

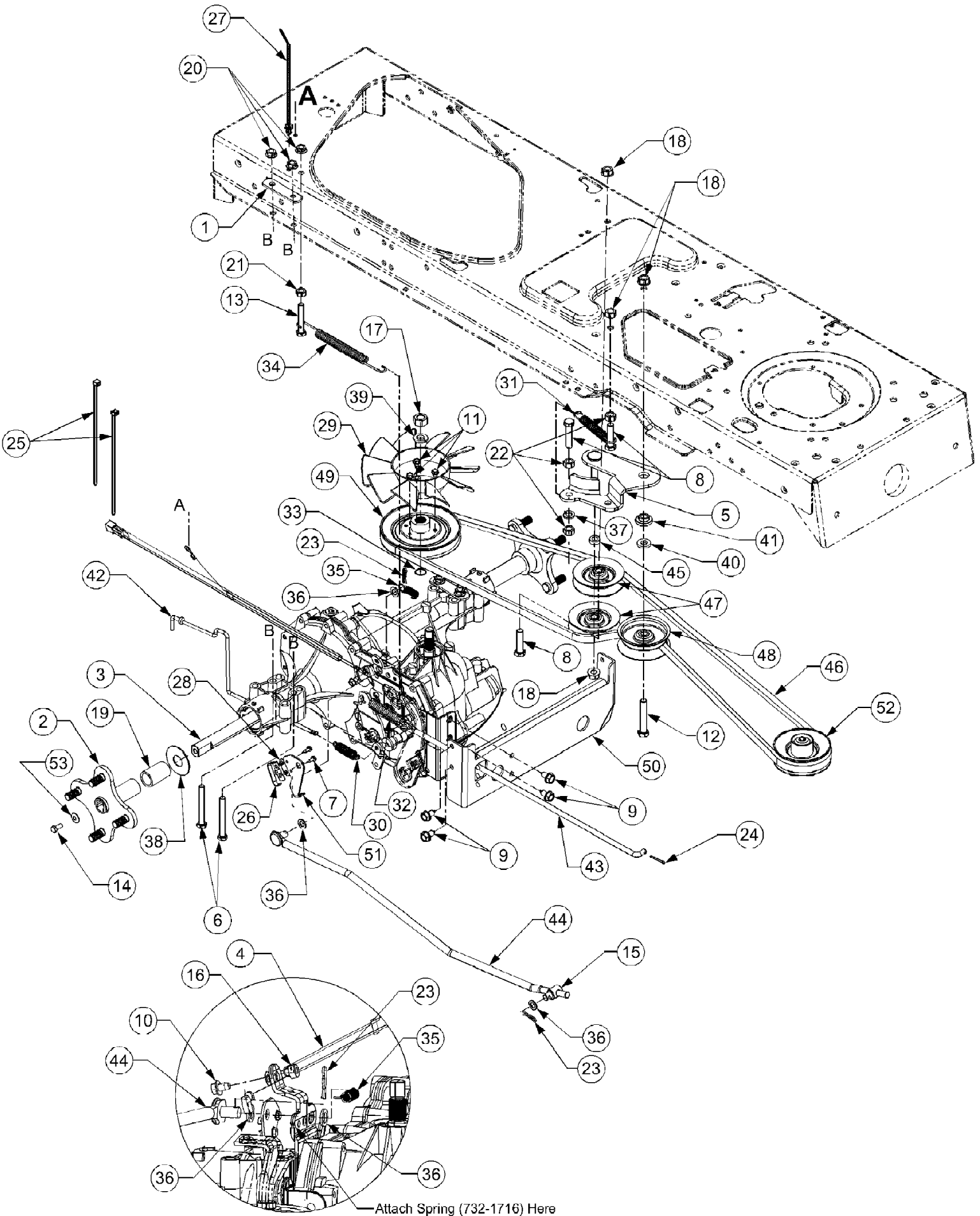
Ref #	Part Number	Qty	S/P/F	Description
1	17239C	1	/P	Bracket, Seat Lift
2	710-1268	2	/P	Screw, #10-16, 0.375
3	712-0429	2	S	Nut, Nylon Lock, 5/16-18, Gr5
4	712-0324	1	/P	Nut, Nylon Lock, 1/4-20
5	720-0433	1		Grip, Seat, Adjustment (Yellow)
6	726-0201	2		Nut, Speed, .3125 ID
7	731-04074	4		Spacer, Seat, Adjustment
8	732-0499	1		Spring, Compression .41 OD x 1.50
9	732-1027	1		Spring, Extension, .80 Dia x 4.2 Lg.
10	732-1175	1		Spring, Extension, .815 Dia x 4.4 Lg.
11	757-04004	1	S	Seat, Mid-back, V-1480
12	783-0753	1		Selector, Seat, Adjustment
13	736-0275	2	S	Washer, Flat, .344 x .688 x .065
14	736-3019	2		Washer, Flat, .531 x 1.062 x .134
15	738-0137A	1	S	Screw, Shoulder, .340 x .285, 1/4-20
16	738-0296	2	S	Shoulder, Screw .437 x .286 Lg
17	738-0966	4	S	Screw, Shoulder, .50 x .925, 3/8-16
18	783-0209C	1	S	Bracket, Seat Lift
19	783-0611	1		Stop, Seat, Adjustment
20	783-0738A	1	S	Bracket, Pivot, Seat
21	783-0739A	1	S	Lever, Seat, Adjustment



LT1018 Tractor  
Dash Panel

Page 4 of 71

Ref #	Part Number	Qty	S/P/F	Description
1	710-0837	1		Screw, #10-16 x .625
2	710-0192	2	/P	Screw, #10-24 x .375
3	710-0599	6	/P	Screw, Self-tapping, 1/4-20, 0.500
4	710-0642	2	/P	Screw, Hx. Wash. Hd, Tapp. 1/4-20 x .75
5	710-0650	4	/P	Screw, Hx. Wash. Hd, Tapp, 5/16-18, .875
6	710-0703	1	/P	Screw, Carriage, 1/4-20, .75,
7	710-0726	6	/P	Screw, Hx. Wash. Hd, Tapp, 5/16-12 x .75
8	710-0895	1		Screw, 1/4-15, 0.750
9	710-1611B	2	/P	Screw, Torx Hd. Tapp. 5/16-18 x .75
10	710-3217	1	/P	Screw, Machine, #8-32, 0.375, Trus Phillips
11	712-0142	1	/P	Nut, 8-32
12	712-0324	1	/P	Nut, Nylon Lock, 1/4-20
13	747-04215	1	S	Strap, Battery
14	712-3087	1	/P	Nut, Wing, 1/4-20
15	714-0104	1	S	Internal Cotter Pin, .072 x 1.13
16	725-1426	1	S	Solenoid, 12V, 100 Amp
17	731-04668	1	S	Dash
18	731-04294A	1		Lever, Dash, Cruise
19	731-04293A	1	/P	Lever, Dash, Brake
20	731-3161	1	S	Knob, Throttle Control
21	783-04285	1	S	Dash Support, RH
22	736-0222	2	S	Washer, External Lock, 1/4
23	738-1132	1		Screw, Shoulder, 1/4-20, .25 x .15
24	783-04323	1	S	Dash Support, LH
25	746-04121	1		Control, Choke, 24.0 (LT1018)
	746-04120	1		Control, Choke, 40.5 (LT1022)
26	747-1323A	1		Rod, .250 Dia x 4.25 Lg.
27	783-04475	1	S	Bracket, Steering Support
28	783-04506	1	S	Plate, Dash Support
29	741-0587	1		Steering Column Bearing
30	783-0462	1	/P	Bracket, PTO Switch Retainer
31	783-1447A	1	S	Bracket, Support, Battery
34	783-1499	1	S	Bracket, Rod, Dash
35	725-1737A	1	S	Battery, 190 CCA (LT1018)
	725-1706A	1	S	Battery, 270 CCA (LT1022)



LT1018 Tractor  
Drive System

Page 6 of 71

Ref #	Part Number	Qty	S/P/F	Description
1	17840	2	S	Bracket, Mounting, Transaxle
2	618-04154	2	S	Hub Assembly, Wheel (Double "D")
	618-0365	2	S	Hub Assembly, Wheel (Spline) (Not Shone)
3	618-0319	1	S	Transmission, Hydrostatic (Uses Double "D" axle)
	618-0667	1	S	Transmission, Hydrostatic (Uses Spline Axle, Used in Production Approx. Feb 12, 2004 through Feb 18, 2004) Not Shown
4	629-0949A	1		Harness Assembly, Ground & Reverse
5	783-04442	1		Bracket Assembly, Idler, Center Dbl
6	710-1266	4	/P	Hex Cap Screw, 5/16-18,3.5, Gr5
7	710-0227	2	/P	Screw, #8-18, 0.500
8	710-0344	3	/P	Hex Cap Screw, 3/8-16, 1.50, Gr5
9	710-0726	6	/P	Screw, 5/16-12, 0.75
10	710-0599	1	/P	Screw, 1/4-20, 0.5
11	710-3007	3	/P	Screw, #12-24, 0.375
12	710-3011	1	/P	Hex Cap Screw, 3/8-16, 2.25, Gr5
13	710-3103	1	/P	Hex Cap Screw, 5/16-18, 2.00, Gr5
14	710-0627	2	/P	Hex Cap Screw, 5/16-24 x .750 (Use with Double "D" hub
	712-1329	1	/P	Nut, 3/4, Grb, Hx (Use with Spline Hub) Not Shown
15	711-0832	1	S	Ferrule, 3/8-24 x .375 Dia
16	712-0291	1	S	Nut, Hex Lock, 1/4-20
17	712-0333	1	S	Nut, Hex, 1/2-20, Gr2
18	712-0130	4	/P	Nut, Nylon Lock, 3/8-16
19	731-04675	2		Sleeve, 1.5"
20	712-0429	5	S	Nut, Nylon Lock, 5/16-18, Gr5
21	712-3010	1	S	Nut, Hex, 5/16-18, Gr5
22	712-3017	3	S	Nut, Hex, 3/8-16, Gr8
23	714-0104	2	S	Pin, Cotter, .072 Dia. x 1.13 Lg
24	714-0111	1	S	Pin, Cotter, 3/32, 1.0
25	725-0157	2	/P	Cable, Tie, 3/16 x .05 x 7.4
26	725-1644	1		Switch, Spring, Short
27	726-0154	1	S	Tie, Cable, Push Mount 7.5 Lg
28	726-0320	1	S	Plate, Insulator Nut
29	731-1449A	1	S	Fan, Blade, 10"
30	732-0209	1	S	Spring, .48 OD x 2.03 Extension
31	732-0429A	1	S	Spring, Extension, .50 Dia x 3.97 Lg
32	732-0716	1	S	Spring, Extension, .59 OD x 4.00 Lg
33	732-0729	1	/P	Ring, Wire
34	732-0994	1		Spring, Extension, .500 Dia x 7.0 Lg
35	732-3118	1		Spring, Extension, 3/8 OD x 1.44 Lg
36	736-0140	3	S	Washer, Flat, .385 x .62 x .063
37	736-0169	1	S	Washer, Lock, 3/8, Regular Duty
38	736-0866	2		Washer, Flat, .755 x 1.92 x .060
39	736-0921	1	S	Washer, Lock, 1/2, Regular Duty
40	736-3010	1	/P	Washer, Flat, .407 x .812 x .135 Hdn
41	738-0372B	1	/P	Spacer, Shoulder, 1.00 x .38 x .38
42	747-1149	1		Rod, Hydro Bypass
43	747-1150	1		Rod, Brake Hydro

LT1018 Tractor  
Drive System

Page 7 of 71

Ref #	Part Number	Qty	S/P/F	Description
44	747-1151	1		Rod, Control, Hydro
45	750-0535	1	S	Spacer, .376 ID x .625 OD x .22
46	754-0640	1	S	Belt, V Type, Poly Ax 79.2 Lg (Use w/ 756-1166 Input Pulley) S/N 1A174H20368 & before
	754-0461	1	S	Belt, V Type, Poly Ax 78 Lg (Use w/ 756-04111 Input Pulley) S/N 1A174H20369 & after
47	756-0116	2	S	Pulley, Idler, V Type x 3.06 Dia
48	756-0981A	1	S	Pulley, Idler, Flat 2.75 OD
49	756-1166	1		Pulley, Input, 5.0 Dia S/N 1A174H20368 & before
	756-04111	1		Pulley, Input, 4.11 Dia. S/N 1A174H20369 & after
50	783-0810	1	S	Bracket, Transmission, Torque Hydro
51	783-1019	1	S	Bracket, Actuator, Switch
52	756-0978A	1	S	Pulley, Engine, 3.56 Dia.
53	736-0242	2	/P	Belle Washer

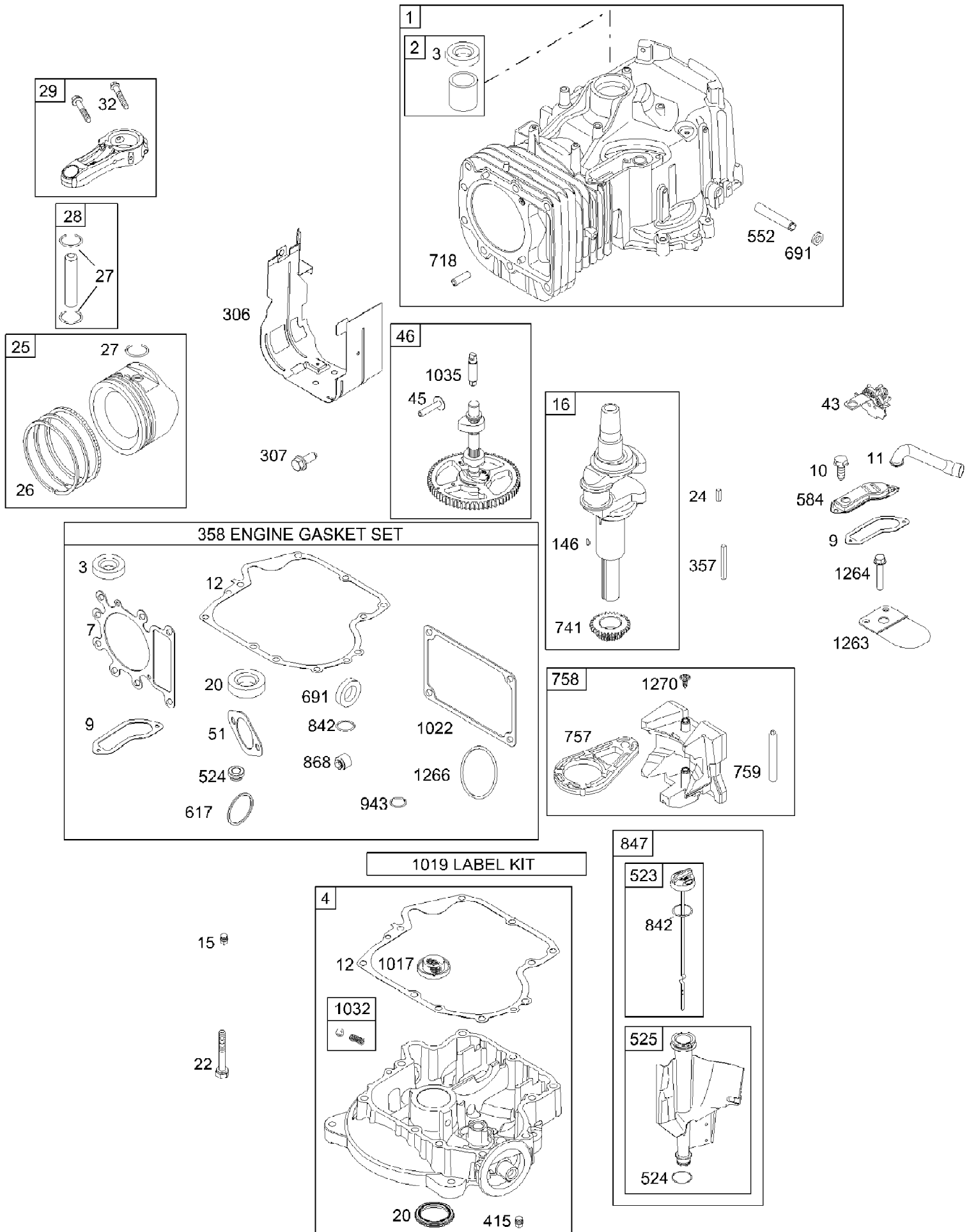




LT1018 Tractor  
Electrical System

Page 9 of 71

Ref #	Part Number	Qty	S/P/F	Description
1	17962	1		Plate, Switch
2	736-0329	2	S	Washer, Lock, 1/4
3	629-04083	1	S	Harness Assembly, Headlight
4	629-04079	1	S	Harness Assembly
5	629-04082	1	S	Harness Assembly, Safety, Reverse
6	710-0224	2	S	Screw, Hx. Wash. Hd. Tapp, 10-16 x .5
7	710-0227	2	/P	Screw, Hx. Wash. Hd. Tapp, 8-18 x .5
8	710-0642	2	/P	Screw, Hx. Wash. Hd. Tapp, 1/4-20, 0.75
9	712-3006	2	/P	Nut, Hex, 1/4-20, Gr5
10	725-04022	1	S	Indicator/ Meter Hour
11	725-04039	1	S	Switch, Interlock
12	725-1303	1	S	Switch, Outer Seat Spring
13	725-1426	1	S	Solenoid, Starter, 12V
14	725-1439	1		Switch, Inner Seat Spring
15	725-1741	1	S	Switch, Key, 4-Position
16	725-2054	2	S	Key, Switch, Plastic
17	725-04175	1	S	Switch, Electric PTO, Yellow Knob
18	726-0278	1		Plate, Insulator Boss
19	726-0279	2		Plate, Insulator
20	736-0222	2	S	Washer, Lock, Ext 1/4



LT1018 Tractor  
Engine (Part 1) 18.5 HP

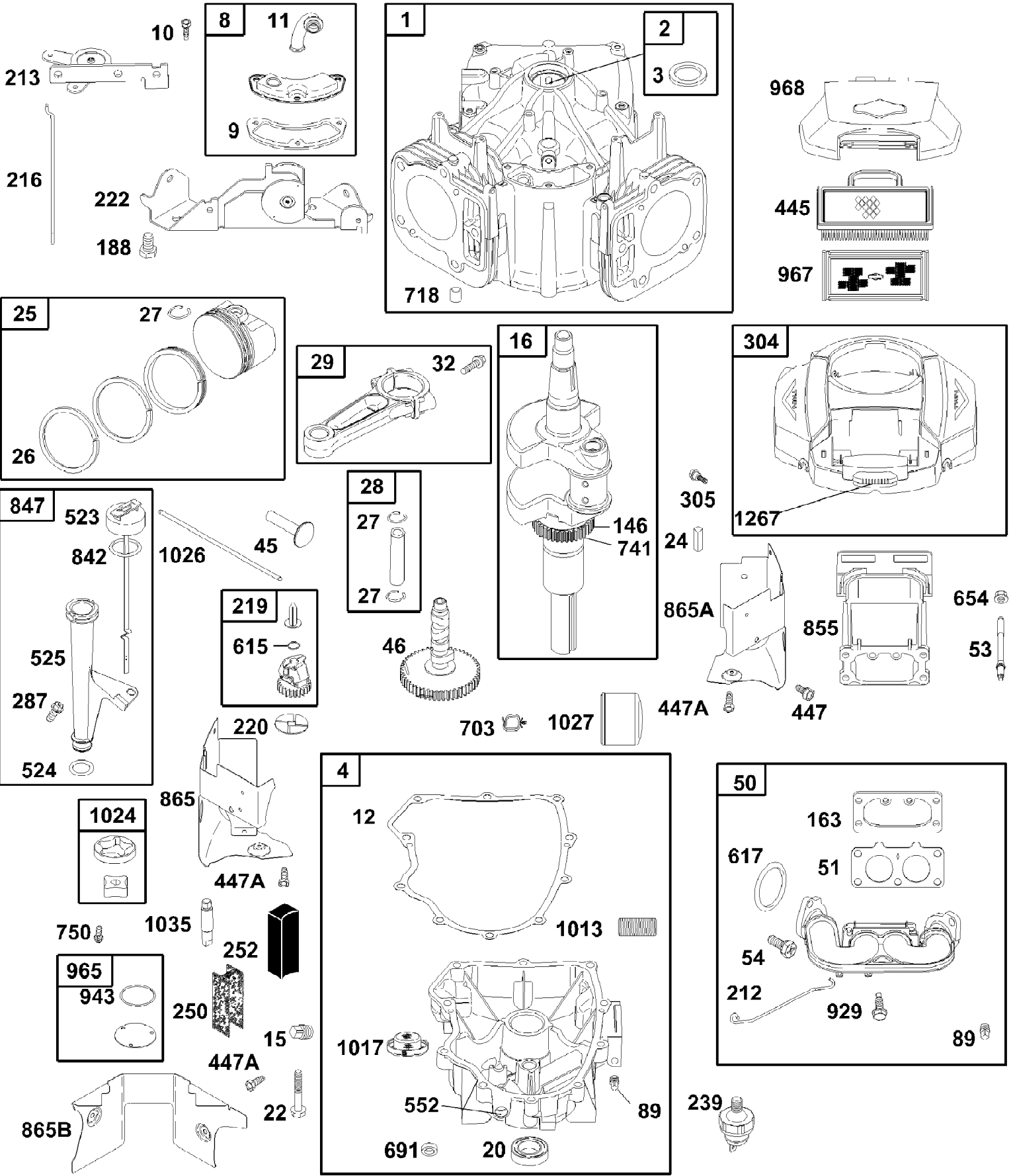
Page 11 of 71

Ref #	Part Number	Qty	S/P/F	Description
1	BS-697174	1		Cylinder Assembly
2	BS-399265	1	/P	Kit-Bushing/Seal (Magneto Side)
3	BS-391086	1	S	Seal-Oil (Magneto Side) Included in Engine Gasket Set, Key. No. 358
7	BS-699168	1	S	Gasket-Cylinder Head Included in Engine Gasket Set, Key. No. 358
9	BS-697109	1		Gasket-Breather Included in Engine Gasket Set, Key. No. 358
10	BS-697157	1		Screw (Breather Assembly)
11	BS-697113	1	S	Tube-Breather
12	BS-697110	1	/P	Gasket-Crankcase Included in Engine Gasket Set, Key. No. 358
15	BS-691680	1	/P	Plug-Oil Drain
16	BS-697516	1	S	Crankshaft
20	BS-690947	1	S	Seal-Oil (PTO Side) Included in Engine Gasket Set, Key. No. 358
22	BS-692125	1	/P	Screw (Crankcase Cover)
25	BS-699052	1	S	Piston Assembly (Standard)
	BS-699054	1		Piston Assembly (.020" Oversize)
26	BS-699051	1		Ring Set (Standard)
	BS-697559	1		Ring Set (.020" Oversize)
27	BS-698469	1		Lock-Piston Pin
28	BS-697099	1		Pin-Piston
29	BS-697518	1	S	Rod-Connecting (Standard)
	BS-697264	1		Rod-Connecting (.020" Undersize)
32	BS-692852	1	S	Screw (Connecting Rod)
45	BS-690564	1		Tappet-Valve
46	BS-698492	1	S	Camshaft
51	BS-692137	1	/P	Gasket-Intake Included in Engine Gasket Set, Key. No. 358; Carburetor Overhaul Kit, Key. No. 121; Carburetor Gasket Set, Key. No. 977
146	BS-691639	1		Key-Timing
358	BS-697191	1	S	Gasket Set-Engine
415	BS-690283	1		Plug
523	BS-697086	1	S	Dipstick
524	BS-691032	1		Seal-Dipstick Tube Included in Engine Gasket Set, Key. No. 358
525	BS-697085	1		Tube-Dipstick
552	BS-697144	1		Bushing-Governor Crank
584	BS-697112	1	S	Cover-Breather Passage
617	BS-692138	1		Seal-O Ring (Intake Manifold) Included in Engine Gasket Set, Key. No. 358; Carburetor Overhaul Kit, Key. No. 121
691	BS-692407	1	/P	Seal-Governor Shaft Included in Engine Gasket Set, Key. No. 358
718	BS-690959	1	/P	Pin-Locating
741	BS-697128	1		Gear-Timing
757	BS-697607	1	S	Link-Counterweight
758	BS-697134	1	S	Link-Counterweight

LT1018 Tractor  
Engine (Part 1) 18.5 HP

Page 12 of 71

Ref #	Part Number	Qty	S/P/F	Description
759	BS-697392	1		Pin-Counterweight
842	BS-691031	1	/P	Seal-O Ring (Dipstick Tube) Included in Engine Gasket Set, Key. No. 358
868	BS-690968	1	/P	Seal-Valve Included in Engine Gasket Set, Key. No. 358; Carburetor Gasket Set, Key. No. 977
943	BS-690589	1	/P	Seal-O Ring (Oil Pump Cover)
1017	BS-690770	1		Screen-Oil Pump
1019	BS-698414	1		Kit-Label
1022	BS-272475	1	S	Gasket-Rocker Cover Included in Engine Gasket Set, Key. No. 358; Carburetor Gasket Set, Key. No. 977
306	BS-697107	1		Shield-Cylinder
307	BS-691003	1	/P	Screw (Cylinder Shield)
24	BS-2226985	1		Key Flywheel
1264	BS-697104	1		Screw (Breather Reed)
1263	BS-697124	1		Reed-Breather
4	BS-697188	1		Sump-Engine



LT1018 Tractor  
Engine (Part 1) 22 HP

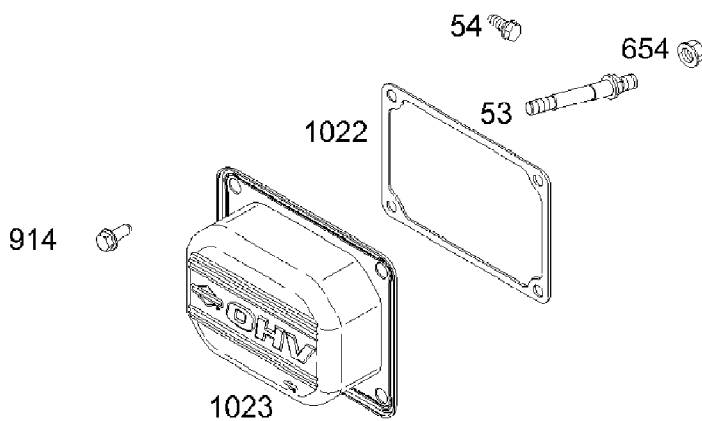
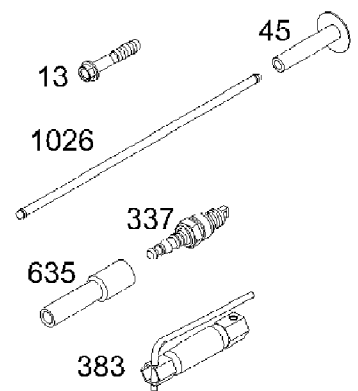
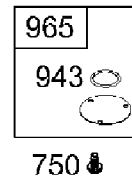
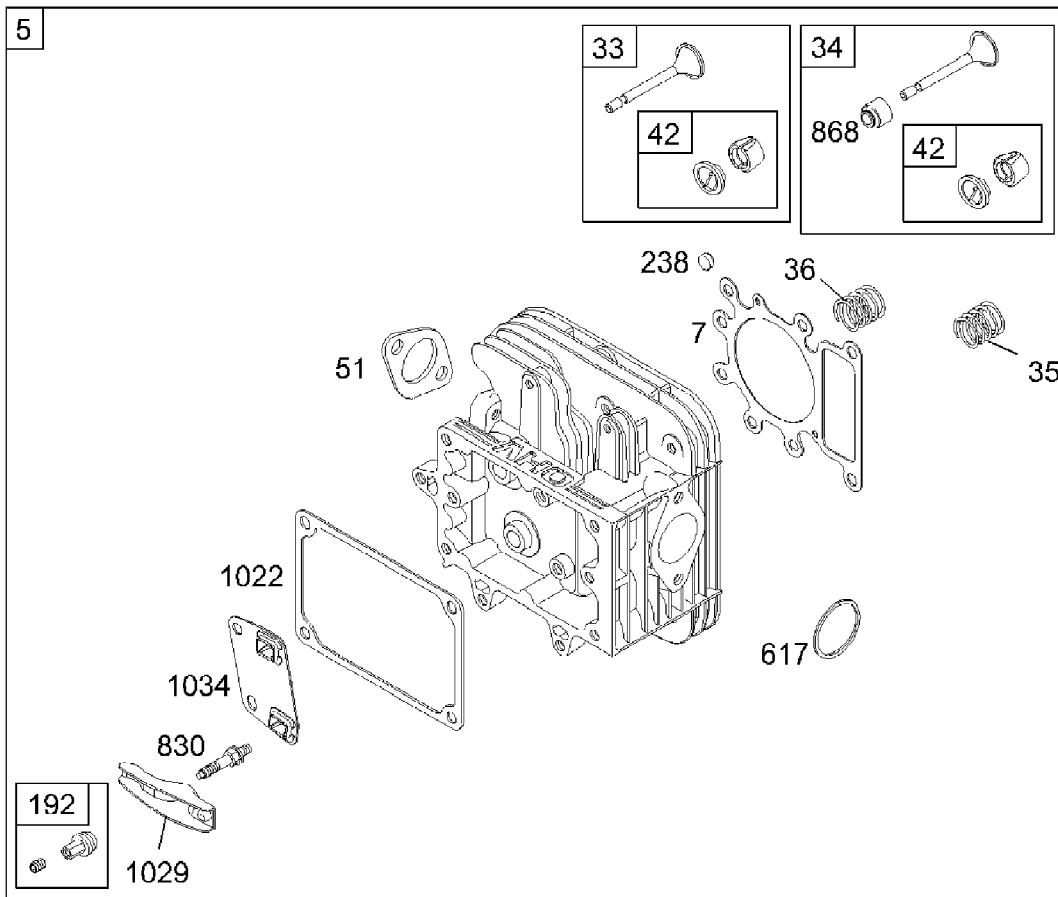
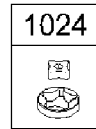
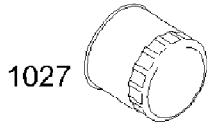
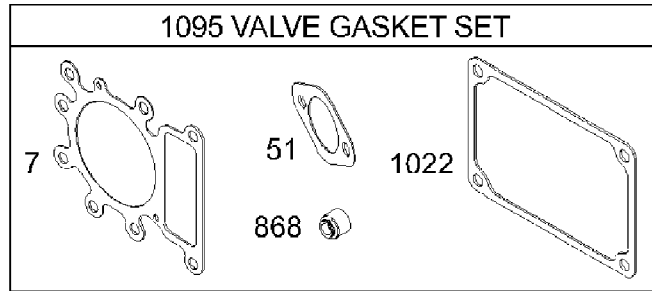
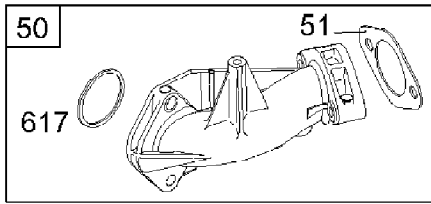
Page 14 of 71

Ref #	Part Number	Qty	S/P/F	Description
1	BS-699742	1		Cylinder Assembly
2	BS-499585	1		Kit-Bushing/Seal (Magneto Side)
3	BS-391086	1	S	Seal-Oil (Magneto Side) Included in Engine Gasket Set, Key. No. 358
4	BS-699747	1	S	Sump-Engine
8	BS-499601	1	S	Breather Assembly
9	BS-690937	1		Gasket-Breather Included in Engine Gasket Set, Key. No. 358
10	BS-690960	1	S	Screw (Breather Assembly)
11	BS-690942	1	S	Tube-Breather
12	BS-697227	1	/P	Gasket-Crankcase Included in Engine Gasket Set, Key. No. 358
15	BS-690946	1	/P	Plug-Oil Drain
16	BS-691046	1	S	Crankshaft
20	BS-690947	1	S	Seal-Oil (PTO Side) Included in Engine Gasket Set, Key. No. 358
22	BS-694966	1	/P	Screw (Engine Sump)
24	BS-222698	1	S	Key-Flywheel
25	BS-698429	1	S	Piston Assembly (Standard)
25	BS-698434	1		Piston Assembly(.020")
26	BS-698430	1		Ring Set-Piston (Standard)
26	BS-698437	1		Ring Set-Piston (.020")
27	BS-690975	1		Lock-Piston Pin
28	BS-690229	1		Pin-Piston
29	BS-499583	1		Rod-Connecting
32	BS-690976	1		Screw (Connecting Rod)
45	BS-690977	1	/P	Tappet-Valve
46	BS-699748	1	S	Camshaft
50	BS-695241	1	/P	Manifold-Intake
51	BS-690950	1		Gasket-Intake Included in Engine Gasket Set, Key. No. 358; Carburetor Overhaul Kit, Key. No. 121; Carburetor Gasket Set, Key. No. 977
53	BS-690951	1		Stud (Carburetor)
54	BS-695240	1		Screw (Intake Manifold)
89	BS-690283	1		Plug-Oil
146	BS-690979	1	/P	Key-Timing
163	BS-691001	1		Gasket-Air Cleaner Included in Engine Gasket Set, Key. No. 358; Valve Gasket Set, Key. No. 1095
188	BS-690960	1	S	Screw (Control Bracket)
212	BS-695238	1		Link-Throttle
213	BS-691021	1		Bracket-Choke Control
216	BS-691022	1		Link-Choke
219	BS-698231	1	S	Gear-Governor
220	BS-690412	1	/P	Washer (Governor Lever)
222	BS-698761	1		Bracket-Control
250	BS-690957	1		Retainer-Breather
252	BS-690956	1		Collector-Oil
287	BS-690960	1	S	Screw (Dipstick Tube)
304	BS-698073	1		Housing-Blower

LT1018 Tractor  
Engine (Part 1) 22 HP

Page 15 of 71

Ref #	Part Number	Qty	S/P/F	Description
305	BS-691005	1		Screw (Blower Housing)
445	BS-698754	1	S	Filter-Air Cleaner Cartridge
447	BS-691003	1	/P	Screw (Air Guide Cover)
447A	BS-690960	1	S	Screw (Air Guide Cover)
523	BS-691036	1		Dipstick
524	BS-691032	1		Seal-Dipstick Tube
525	BS-691037	1		Tube-Dipstick
552	BS-690552	1		Bushing-Governor Crank
615	BS-698290	1	/P	Retainer-Governor Shaft
654	BS-690958	1	/P	Nut (Carburetor)
691	BS-690657	1		Seal-Governor Shaft Included in Engine Gasket Set, Key. No. 358
703	BS-691010	1		Clip
718	BS-690959	1	/P	Pin-Locating
741	BS-690980	1		Gear-Timing
750	BS-696999	1		Screw (Oil Pump Cover)
842	BS-691031	1	/P	Seal-Dipstick/Tube Included in Engine Gasket Set, Key. No. 358
847	BS-499602	1		Dipstick/Tube Assembly
855	BS-698072	1		Adapter-Air
865	BS-691012	1		Cover-Air Guide
865A	BS-691014	1		Cover-Air Guide
865B	BS-691015	1		Cover-Air Guide
943	BS-690589	1	/P	Seal-O Ring (Oil Pump Cover)
965	BS-499613	1		Cover-Oil Pump
967	BS-273638	1	S	Filter-Pre Cleaner
968	BS-698075	1	S	Cover-Air Cleaner
1013	BS-690954	1	/P	Nipple-Oil Filter
1017	BS-690770	1		Screen-Oil Pump
1024	BS-499054	1	S	Pump-Oil
1026	BS-690981	1	/P	Rod-Push (Steel)
1026	BS-690982	1	/P	Rod-Push (Aluminum)
1027	BS-696854	1	/P	Filter-Oil
1035	BS-691042	1		Shaft-Pump
1267	BS-698440	1		Latch-Blower Housing
617	BS-692138	1		Seal - O Ring (Intake Manifold)

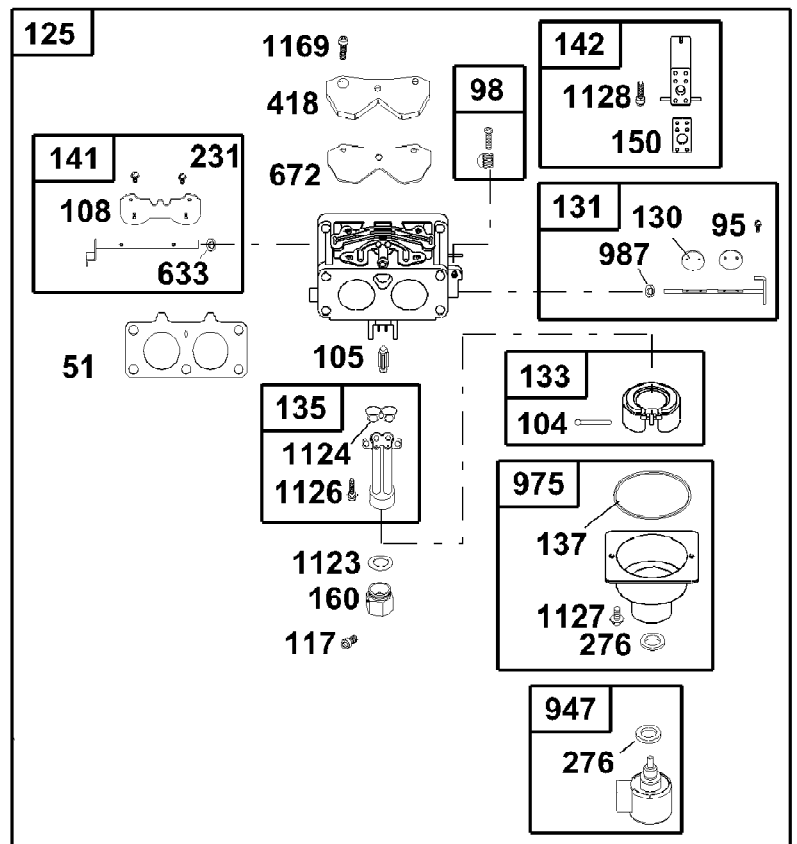
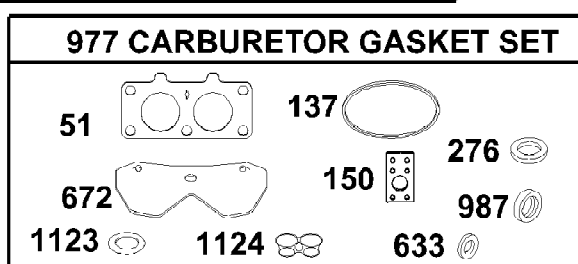
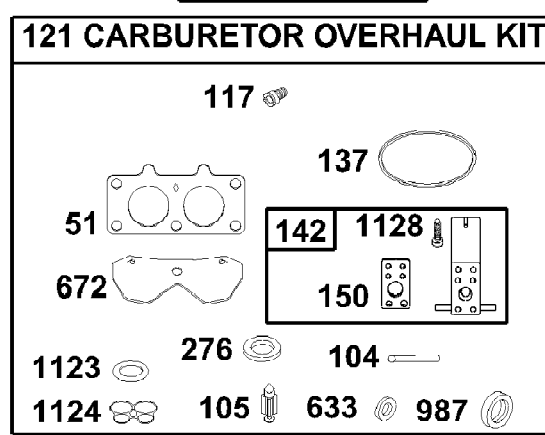
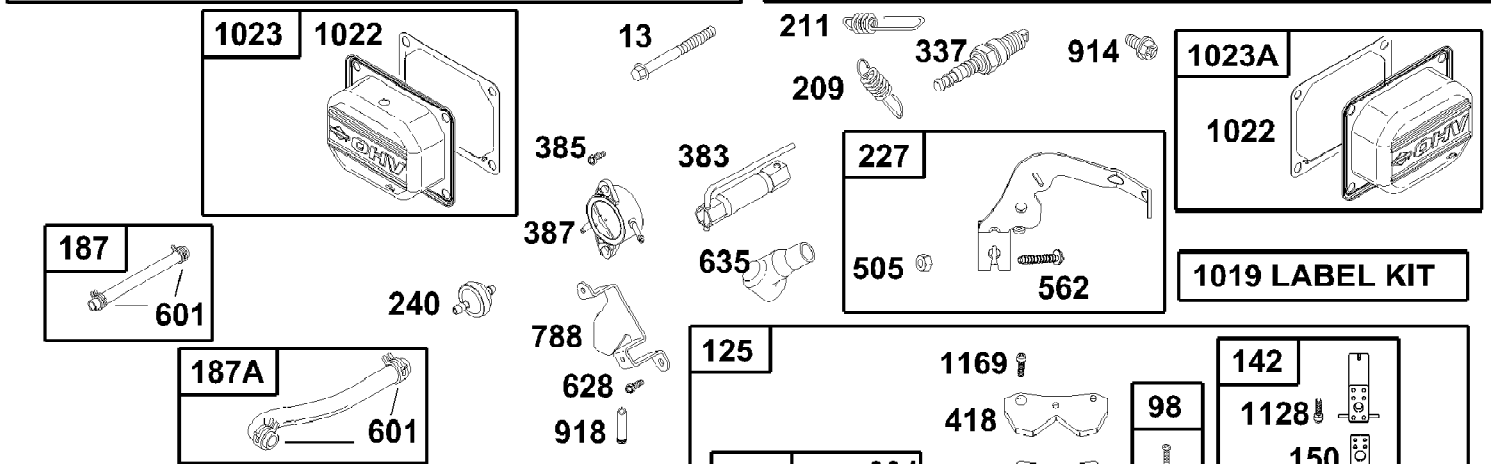
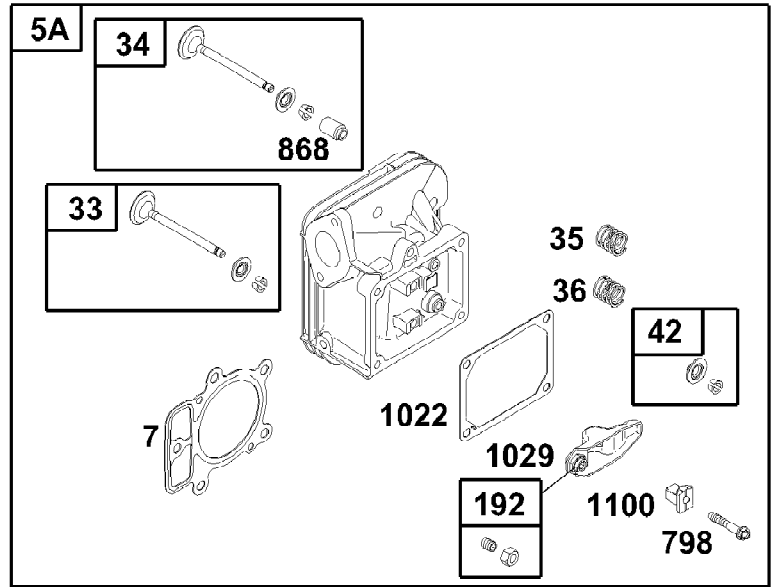
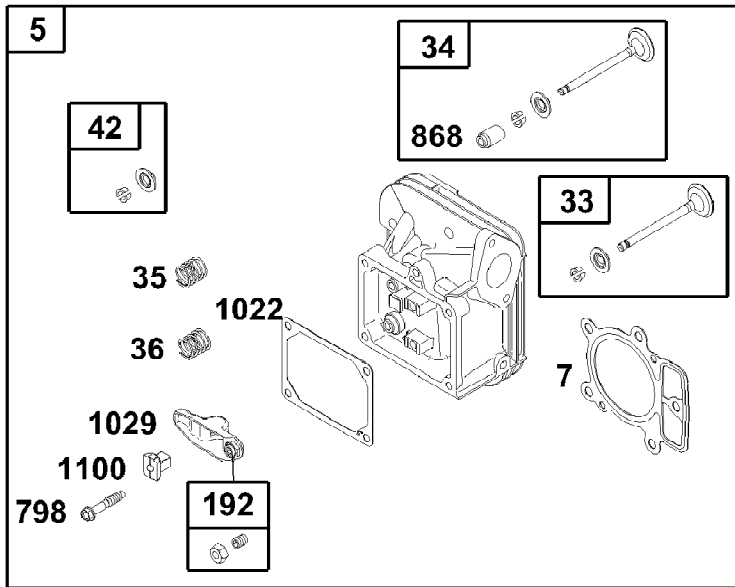




LT1018 Tractor  
Engine (Part 2) 18.5 HP

Page 17 of 71

Ref #	Part Number	Qty	S/P/F	Description
5	BS-698404	1	S	Head-Cylinder (Cylinder 1)
7	BS-699168	1	S	Gasket-Cylinder Head Included in Engine Gasket Set, Key. No. 358
13	BS-690360	1	/P	Screw (Cylinder Head)
33	BS-698370	1		Valve-Exhaust
34	BS-695761	1	S	Valve-Intake
35	BS-691279	1	/P	Spring-Valve (Intake)
36	BS-691279	1	/P	Spring-Valve (Exhaust)
42	BS-499586	1	/P	keeper-Valve
45	BS-690564	1		Tappet-Valve
50	BS-699028	1		Manifold-Intake
51	BS-692137	1	/P	Gasket-Intake Included in Engine Gasket Set, Key. No. 358; Carburetor Overhaul Kit, Key. No. 121; Carburetor Gasket Set, Key. No. 977
53	BS-690227	1		Stud (Carburetor)
54	BS-691148	1		Screw (Intake Manifold)
192	BS-691986	1	/P	Adjuster-Rocker Arm
238	BS-691843	1	/P	Cap-Valve
337	BS-491055	1	S	Plug-Spark
383	BS-89838	1	S	Wrench-Spark Plug
617	BS-692138	1		Seal-O Ring (Intake Manifold) Included in Engine Gasket Set, Key. No. 358; Carburetor Overhaul Kit, Key. No. 121
635	BS-691909	1	/P	Boot-Spark Plug
750	BS-691033	1		Screw (Oil Pump Cover)
830	BS-691095	1	/P	Stud (Rocker Arm)
868	BS-690968	1	/P	Seal-Valve Included in Engine Gasket Set, Key. No. 358; Carburetor Gasket Set, Key. No. 977
914	BS-691108	1	/P	Screw (Rocker Cover)
943	BS-690589	1	/P	Seal-O Ring (Oil Pump Cover)
965	BS-499613	1		Cover-Oil Pump
1022	BS-272475	1	S	Gasket-Rocker Cover Included in Engine Gasket Set, Key. No. 358; Carburetor Gasket Set, Key. No. 977
1023	BS-692492	1	S	Cover-Rocker Arm
1024	BS-499054	1	S	Pump-Oil
1026	BS-692003	1	/P	Rod-Push (Intake)
1027	BS-696854	1	/P	Filter-Oil



LT1018 Tractor  
Engine (Part 2) 22 HP

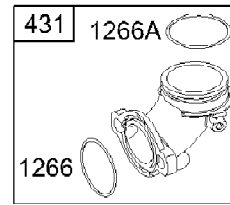
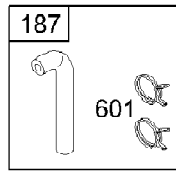
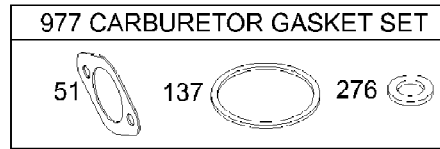
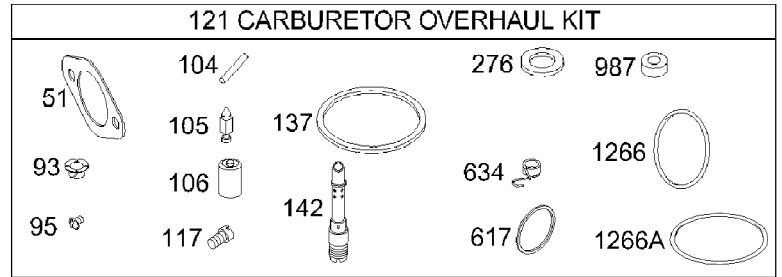
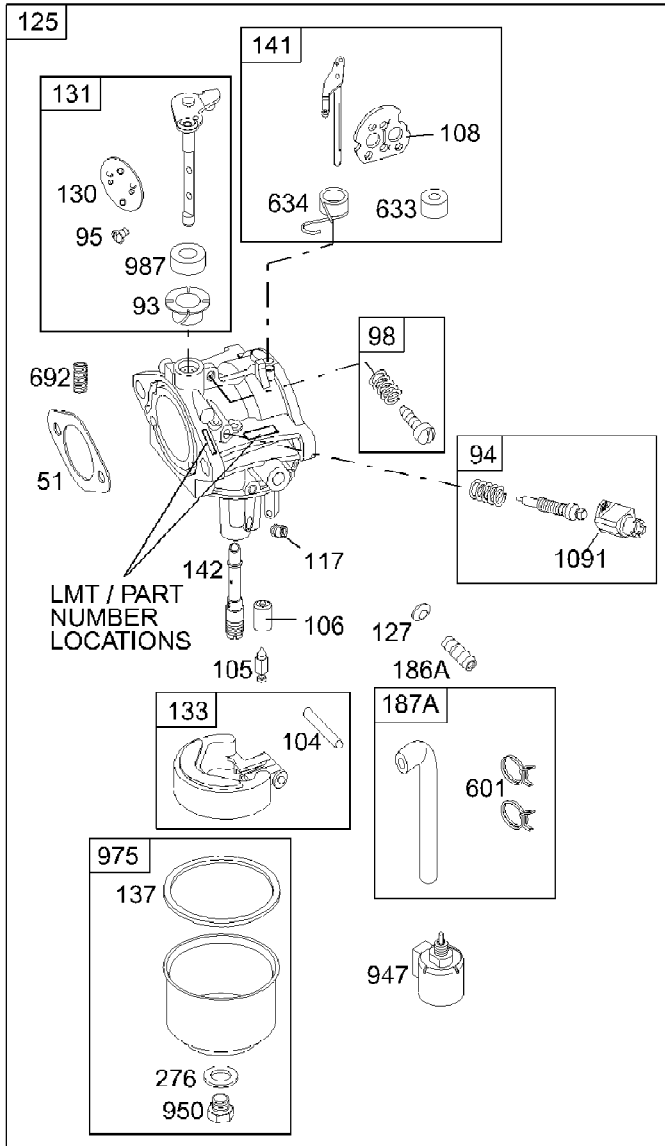
Page 19 of 71

Ref #	Part Number	Qty	S/P/F	Description
5	BS-697580	1	S	Head-Cylinder (Cylinder 1)
5A	BS-697581	1	S	Head-Cylinder (Cylinder 2)
7	BS-690962	1	S	Gasket-Cylinder Head Included in Engine Gasket Set, Key. No. 358; Valve Gasket Set, Key. No. 1095
13	BS-690360	1	/P	Screw (Cylinder Head)
33	BS-697576	1		Valve-Exhaust
34	BS-499597	1	S	Valve-Intake
35	BS-690963	1		Spring-Valve (Intake)
36	BS-690963	1		Spring-Valve (Exhaust)
42	BS-499586	1	/P	Keeper-Valve
51	BS-690950	1		Gasket-Intake Included in Engine Gasket Set, Key. No. 358; Carburetor Overhaul Kit, Key. No. 121; Carburetor Gasket Set, Key. No. 977
95	BS-690718	1		Screw (Throttle Valve)
98	BS-499802	1		Kit-Idle Speed
104	BS-690984	1		Pin-Float Hinge
105	BS-690985	1	S	Valve-Float Needle
108	BS-690986	1		Valve-Choke
117	BS-690232	1		Jet-Main (Standard)
121	BS-499811	1	S	Kit-Carburetor Overhaul
125	BS-499804	1	S	Carburetor
130	BS-690993	1		Valve-Throttle
131	BS-499805	1		Kit-Throttle Shaft
133	BS-499806	1		Float-Carburetor
135	BS-499803	1		Tube-Fuel Transfer
137	BS-690994	1		Gasket-Float Bowl Included in Carburetor Overhaul Kit, Key. No. 121; Carburetor Gasket Set, Key. No. 977
141	BS-499807	1		Kit-Choke Shaft
142	BS-499808	1		Nozzle-Carburetor
150	BS-690995	1		Gasket-Nozzle Included in Carburetor Overhaul Kit, Key. No. 121; Carburetor Gasket Set, Key. No. 977
160	BS-690996	1		Retainer-Solenoid
187	BS-698742	1		Line-Fuel
187A	BS-691049	1		Line-Fuel (Molded)
192	BS-690083	1		Adjuster-Rocker Arm
209	BS-697674	1		Spring-Governor
211	BS-691019	1		Spring-Governed Idle
227	BS-691048	1	S	Lever-Governor Control
231	BS-690718	1		Screw (Choke Valve)
240	BS-695666	1	S	Filter-Fuel
276	BS-690997	1		Washer-Sealing Included in Engine Gasket Set, Key. No. 358; Carburetor Overhaul Kit, Key. No. 121; Valve Gasket Set, Key. No. 1095
337	BS-491055	1	S	Plug-Spark
383	BS-690966	1		Wrench-Spark Plug
385	BS-690960	1	S	Screw (Fuel Pump)
387	BS-808656	1	/P	Pump-Fuel
404	BS-690442	1		Washer (Governor Crank)

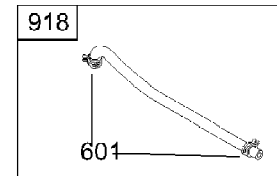
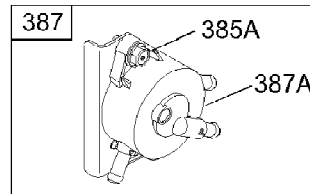
LT1018 Tractor  
Engine (Part 2) 22 HP

Page 20 of 71

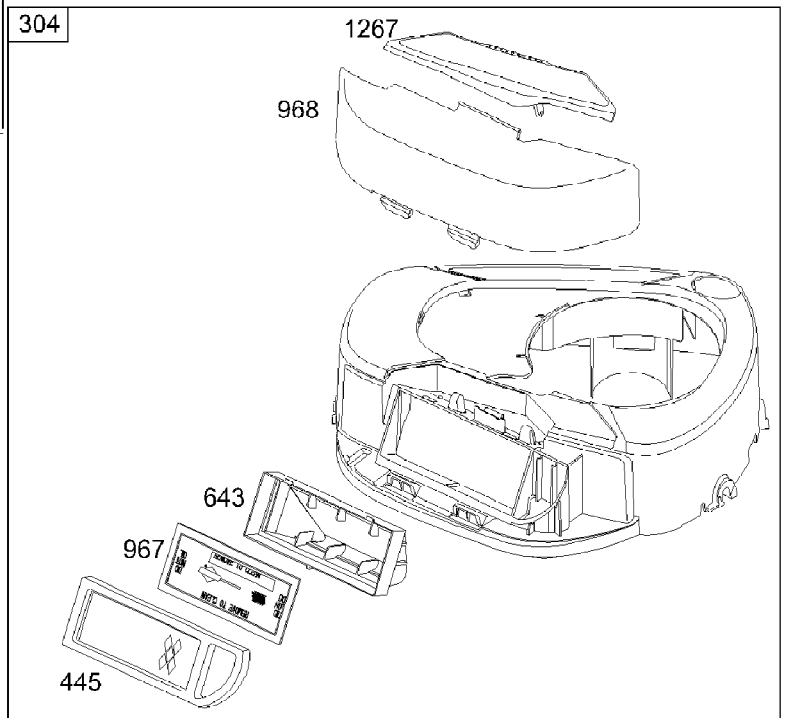
Ref #	Part Number	Qty	S/P/F	Description
418	BS-690999	1		Plate-Carburetor
505	BS-691029	1		Nut (Governor Control Lever)
552	BS-690552	1		Bushing-Governor Crank
552A	BS-690553	1		Bushing-Governor Crank
562	BS-690311	1		Bolt (Governor Control Lever)
601	BS-691038	1		Clamp-Hose
616	BS-691045	1		Crank-Governor
628	BS-690960	1	S	Screw (Fuel Pump Bracket)
633	BS-690998	1		Seal-Choke/Throttle Shaft Included in Carburetor Overhaul Kit, Key. No. 121; Carburetor Gasket Set, Key. No. 977
635	BS-66538	1	S	Boot-Spark Plug
672	BS-690234	1		Gasket-Carburetor Plate Included in Carburetor Overhaul Kit, Key. No. 121; Carburetor Gasket Set, Key. No. 977
691	BS-690657	1		Seal-Governor Shaft Included in Engine Gasket Set, Key. No. 358
742	BS-690328	1	/P	Retainer-E Ring
788	BS-691039	1		Bracket-Fuel Pump
798	BS-697890	1		Screw (Rocker Arm)
868	BS-690968	1	/P	Seal-Valve Included in Engine Gasket Set, Key. No. 358; Valve Gasket Set, Key. No. 1095
914	BS-691127	1	/P	Screw (Rocker Cover)
918	BS-694000	1	/P	Hose-Vacuum
947	BS-499809	1		Solenoid-Fuel
975	BS-499810	1		Bowl-Float
977	BS-499812	1	S	Gasket Set-Carburetor
987	BS-691000	1		Seal-Throttle Shaft Included in Carburetor Overhaul Kit, Key. No. 121; Carburetor Gasket Set, Key. No. 977
1019	BS-690103	1		Kit-Label
1022	BS-690971	1	/P	Gasket-Rocker Cover
1023	BS-499599	1		Cover-Rocker (Cylinder 1)
1023A	BS-499600	1		Cover-Rocker (Cylinder 2)
1029	BS-690972	1		Arm-Rocker
1100	BS-690973	1	/P	Pivot-Rocker Arm
1123	BS-690987	1		Seal-O Ring (Solenoid Retainer) Included in Carburetor Overhaul Kit, Key. No. 121; Carburetor Gasket Set, Key. No. 977
1124	BS-690988	1		Seal-O Ring (Fuel Transfer Tube) Included in Carburetor Overhaul Kit, Key. No. 121; Carburetor Gasket Set, Key. No. 977
1126	BS-690991	1		Screw (Fuel Transfer Tube)
1127	BS-690992	1		Screw (Float Bowl)
1128	BS-690990	1		Screw (Carburetor Nozzle)
1169	BS-693140	1		Screw (Carburetor Cover Plate)



118



**1036 EMISSION LABEL**



LT1018 Tractor  
Engine (Part 3) 18.5 HP

Page 22 of 71

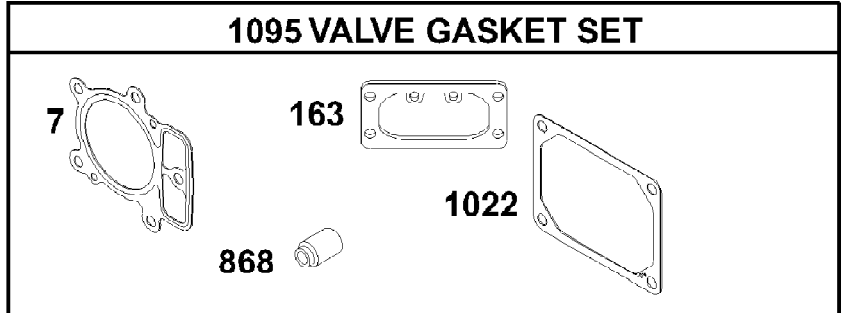
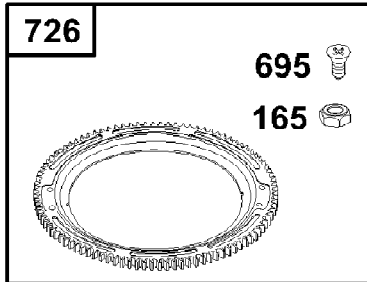
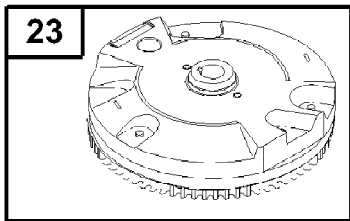
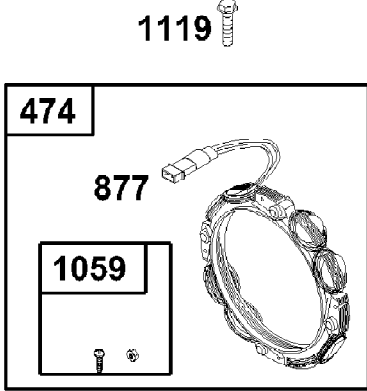
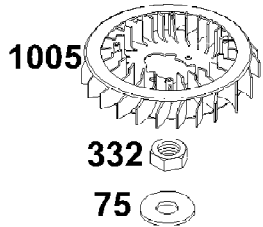
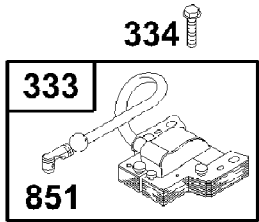
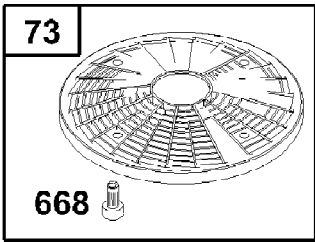
Ref #	Part Number	Qty	S/P/F	Description
51	BS-692137	1	/P	Gasket-Intake Included in Engine Gasket Set, Key. No. 358; Carburetor Overhaul Kit, Key. No. 121; Carburetor Gasket Set, Key. No. 977
73	BS-494439	1	/P	Screen-Rotating
93	BS-690602	1		Bushing-Throttle Shaft Included in Carburetor Overhaul Kit, Key. No. 121
94	BS-498030	1		Kit-Idle Mixture
95	BS-691636	1	/P	Screw (Throttle Valve) Included in Carburetor Overhaul Kit, Key. No. 121
98	BS-495800	1		Kit-Idle Speed
104	BS-690525	1	/P	Pin-Float Hinge Included in Carburetor Overhaul Kit, Key. No. 121
105	BS-231855	1	S	Valve-Float Needle Included in Carburetor Overhaul Kit, Key. No. 121
106	BS-691780	1	/P	Seat-Inlet
108	BS-692344	1		Valve-Choke
117	BS-694352	1		Jet-Main (Standard) Included in Carburetor Overhaul Kit, Key. No. 121
118	BS-697228	1		Jet-Main (High Altitude)
121	BS-697241	1	/P	Kit-Carburetor Overhaul
125	BS-699937	1	S	Carburetor
127	BS-695005	1		Plug-Welch
130	BS-691750	1		Valve-Throttle
131	BS-494379	1	S	Kit-Throttle Shaft
133	BS-494381	1	/P	Float-Carburetor
137	BS-281165	1	S	Gasket-Float Bowl Included in Carburetor Overhaul Kit, Key. No. 121; Carburetor Gasket Set, Key. No. 977
141	BS-495931	1	S	Kit-Choke Shaft
142	BS-697140	1		Nozzle-Carburetor Included in Carburetor Overhaul Kit, Key. No. 121
187	BS-697098	1	S	Line-Fuel (Formed)
187A	BS-698417	1	S	Line-Fuel (Formed (Cut to Required Length)
240	BS-695666	1	S	Filter-Fuel
276	BS-692255	1	/P	Washer-Sealing Included in Carburetor Overhaul Kit, Key. No. 121; Carburetor Gasket Set, Key. No. 977
304	BS-790009	1		Housing-Blower
305	BS-697102	1		Screw (Blower Housing)
305A	BS-697103	1		Screw (Blower Housing)
385	BS-694476	1		Screw (Fuel Pump)
385A	BS-690297	1		Screw (Fuel Pump)
387	BS-697090	1	/P	Pump-Fuel
431	BS-697122	1		Elbow-Intake
445	BS-697153	1	S	Filter-Air Cleaner
601	BS-95162	1	S	Clamp-Hose

LT1018 Tractor  
Engine (Part 3) 18.5 HP

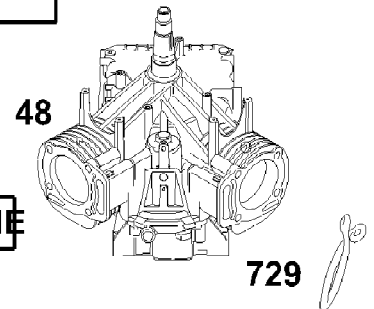
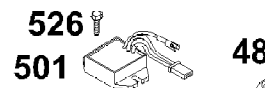
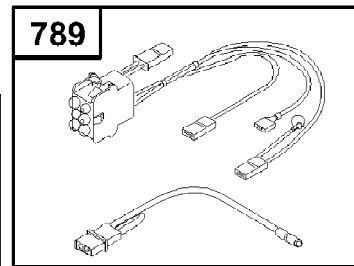
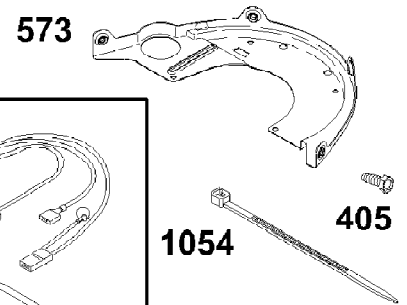
Page 23 of 71

Ref #	Part Number	Qty	S/P/F	Description
617	BS-692138	1		Seal-O Ring (Intake Manifold) Included in Engine Gasket Set, Key. No. 358; Carburetor Overhaul Kit, Key. No. 121
634	BS-690802	1	/P	Spring/Seal Assembly Included in Carburetor Overhaul Kit, Key. No. 121
643	BS-698401	1		Retainer-Air Filter
668	BS-691500	1	/P	Spacer
692	BS-690572	1	/P	Spring-Detent
918	BS-697091	1	S	Hose-Vacuum (Cut to Required Length)
950	BS-691657	1	/P	Screw (Float Bowl)
967	BS-697015	1	/P	Filter-Pre Cleaner
968	BS-790008	1		Cover-Air Cleaner
975	BS-495933	1	/P	Bowl-Float
977	BS-690192	1	S	Gasket Set-Carburetor
987	BS-691326	1	/P	Seal-Throttle Shaft Included in Carburetor Overhaul Kit, Key. No. 121
947	BS-694393	1		Solenoid-Fuel
1266	BS-691917	1	/P	Seal-O Ring (Intake Elbow)
1266A	BS-697123	1		Seal-O Ring (Intake Elbow)
1091	BS-691333	1	/P	Cap Limiter
186A1	BS-698174	1		Hose Connector
1279	BS-691108	1	/P	Screw (Blower Housing Support)
1265	BS-697125	1		Support-Blower Housing
1267	BS-697575	1		Latch-Blower Housing

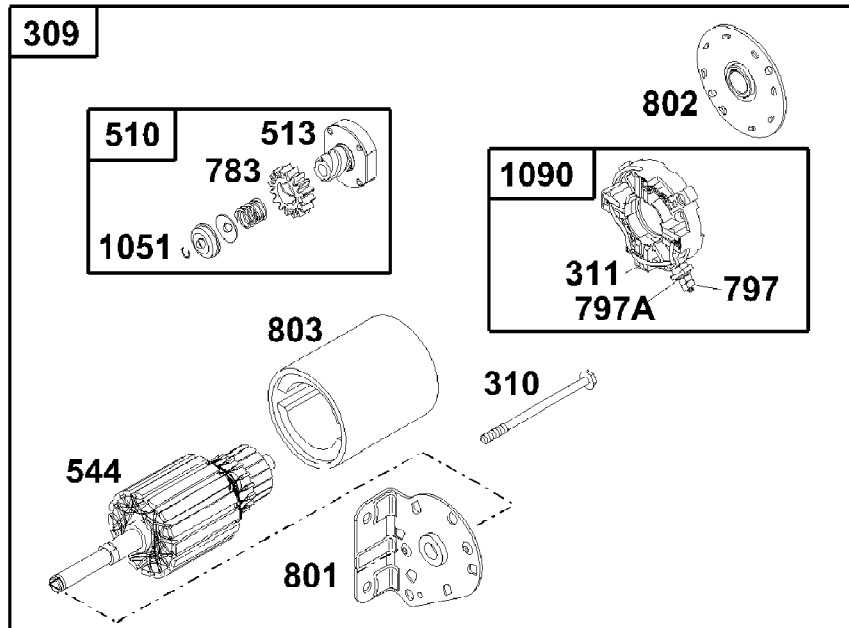
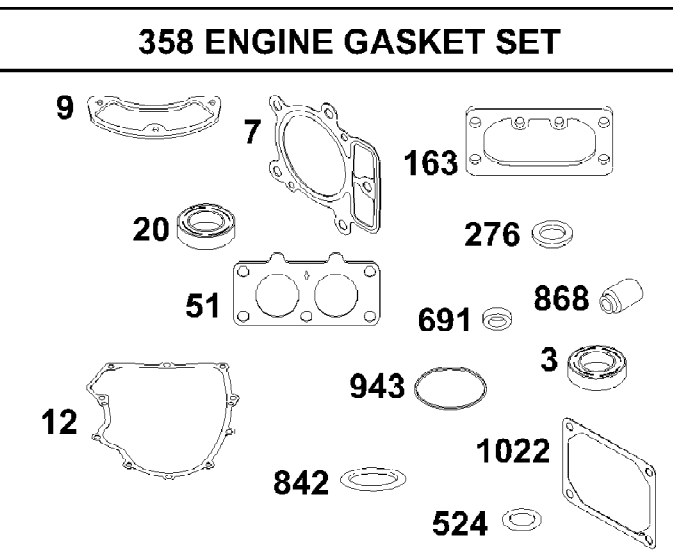
74 



1036 EMISSION LABEL



1329 REPLACEMENT ENGINE



697 



LT1018 Tractor  
Engine (Part 3) 22 HP

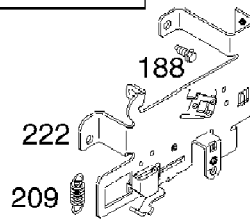
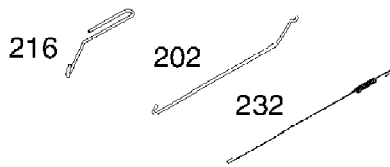
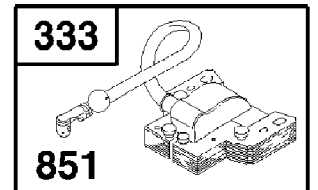
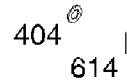
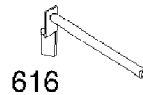
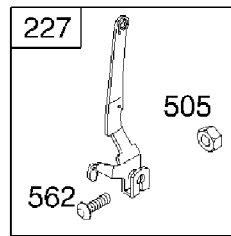
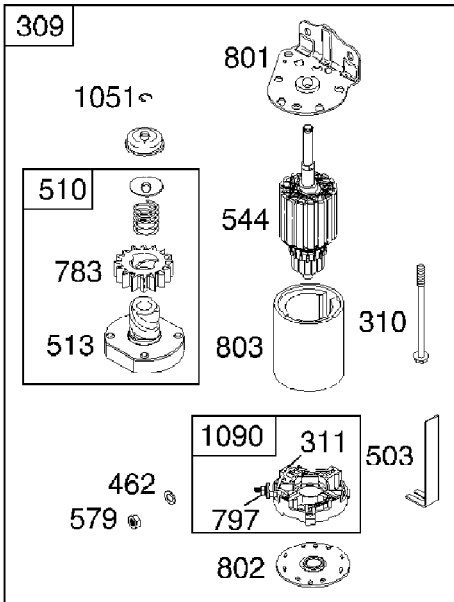
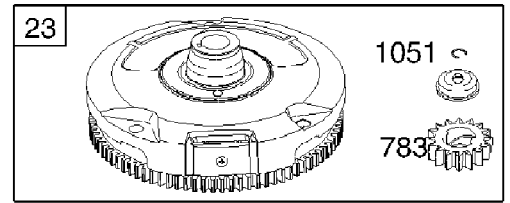
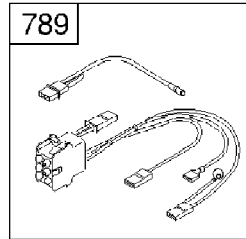
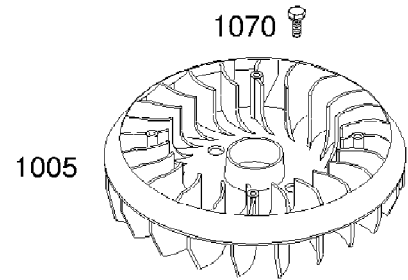
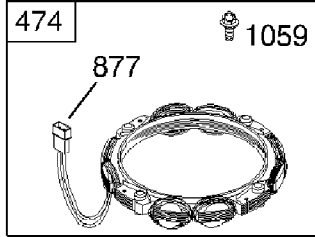
Page 25 of 71

Ref #	Part Number	Qty	S/P/F	Description
3	BS-391086	1	S	Seal-Oil (Magneto Side) Included in Engine Gasket Set, Key. No. 358
7	BS-690962	1	S	Gasket-Cylinder Head Included in Engine Gasket Set, Key. No. 358; Valve Gasket Set, Key. No. 1095
9	BS-690937	1		Gasket-Breather Included in Engine Gasket Set, Key. No. 358
12	BS-697227	1	/P	Gasket-Crankcase Included in Engine Gasket Set, Key. No. 358
20	BS-690947	1	S	Seal-Oil (PTO Side) Included in Engine Gasket Set, Key. No. 358
23	BS-691053	1		Flywheel
48	BS-698177	1		Short Block
51	BS-690950	1		Gasket-Intake Included in Engine Gasket Set, Key. No. 358; Carburetor Overhaul Kit, Key. No. 121; Carburetor Gasket Set, Key. No. 977
73	BS-691055	1	S	Screen-Rotating
74	BS-698425	1		Screw (Rotating Screen)
75	BS-691056	1		Washer (Flywheel)
163	BS-691001	1		Gasket-Air Cleaner Included in Engine Gasket Set, Key. No. 358; Valve Gasket Set, Key. No. 1095
165	BS-693148	1		Nut (Ring Gear)
276	BS-690997	1		Washer-Sealing Included in Engine Gasket Set, Key. No. 358; Carburetor Overhaul Kit, Key. No. 121; Valve Gasket Set, Key. No. 1095
309	BS-691262	1	S	Motor-Starter
310	BS-691263	1		Bolt (Starter Motor)
311	BS-497608	1	/P	Brush Set
332	BS-691059	1		Nut (Flywheel)
333	BS-691060	1	/P	Armature-Magneto
334	BS-691061	1		Screw (Magneto Armature)
358	BS-694012	1	/P	Set-Engine Gasket
363	BS-691062	1		Flywheel Puller
405	BS-697820	1		Screw (Back Plate)
474	BS-696458	1	/P	Alternator
501	BS-691185	1	S	Regulator
510	BS-497606	1	S	Drive-Starter
513	BS-692024	1	/P	Clutch-Drive
524	BS-691032	1		Seal-Dipstick Tube
526	BS-690960	1	S	Screw (Regulator)
544		1		Armature-Starter (Service with 691262 Starter Motor)
573	BS-691009	1		Plate-Back
668	BS-691215	1		Spacer
691	BS-690657	1		Seal-Governor Shaft Included in Engine Gasket Set, Key. No. 358
695	BS-693149	1		Screw (Ring Gear)

LT1018 Tractor  
Engine (Part 3) 22 HP

Page 26 of 71

Ref #	Part Number	Qty	S/P/F	Description
697	BS-690372	1	S	Screw (Drive Cap)
726	BS-499612	1		Gear-Ring
729	BS-694123	1		Clip-Wire
783	BS-693058	1	S	Gear-Pinion
789	BS-698330	1		Harness-Wiring
797	BS-691029	1		Nut (Brush Retainer)
797A	BS-693167	1		Nut (Brush Retainer)
801	BS-691283	1		Cap-Drive
802	BS-691286	1	/P	Cap-End
803		1		Housing-Starter (Service with 691262 Starter Motor)
842	BS-691031	1	/P	Seal-Dipstick/Tube Included in Engine Gasket Set, Key. No. 358
851	BS-493880	1	S	Terminal-Sparkplug
868	BS-690968	1	/P	Seal-Valve Included in Engine Gasket Set, Key. No. 358; Valve Gasket Set, Key. No. 1095
877	BS-399916	1		Wire/Connector- Alternator
943	BS-690589	1	/P	Seal-O Ring (Oil Pump Cover)
1005	BS-698760	1		Fan-Flywheel
1022	BS-690971	1	/P	Gasket-Rocker Cover
1036	BS-697913	1		Label-Emission
1051	BS-691265	1	/P	Ring-Retaining
1054	BS-280275	1		Cable-Tie
1059	BS-698516	1		Kit-Screw/Washer
1090	BS-691293	1	/P	Retainer-Brush
1095	BS-694013	1	/P	Gasket Set-Valve
1119	BS-691183	1	S	Screw (Alternator)
1329	BS-40H777-0027	1	/P	Replacement Engine (Transfer 6 pin Harness and Governor Spring)

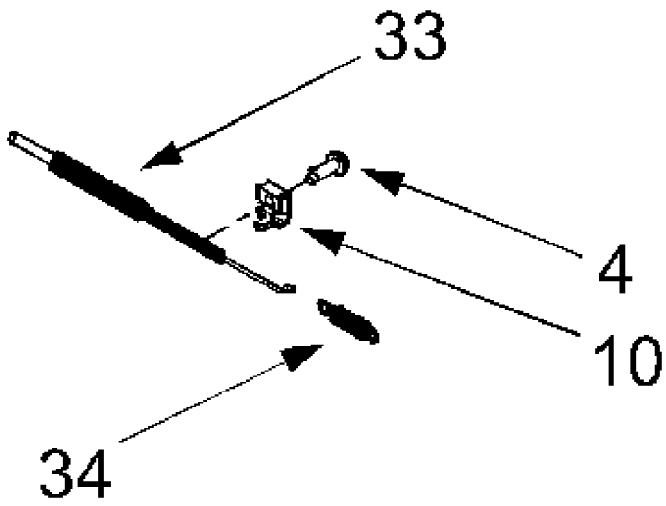


LT1018 Tractor  
Engine (Part 4) 18.5 HP

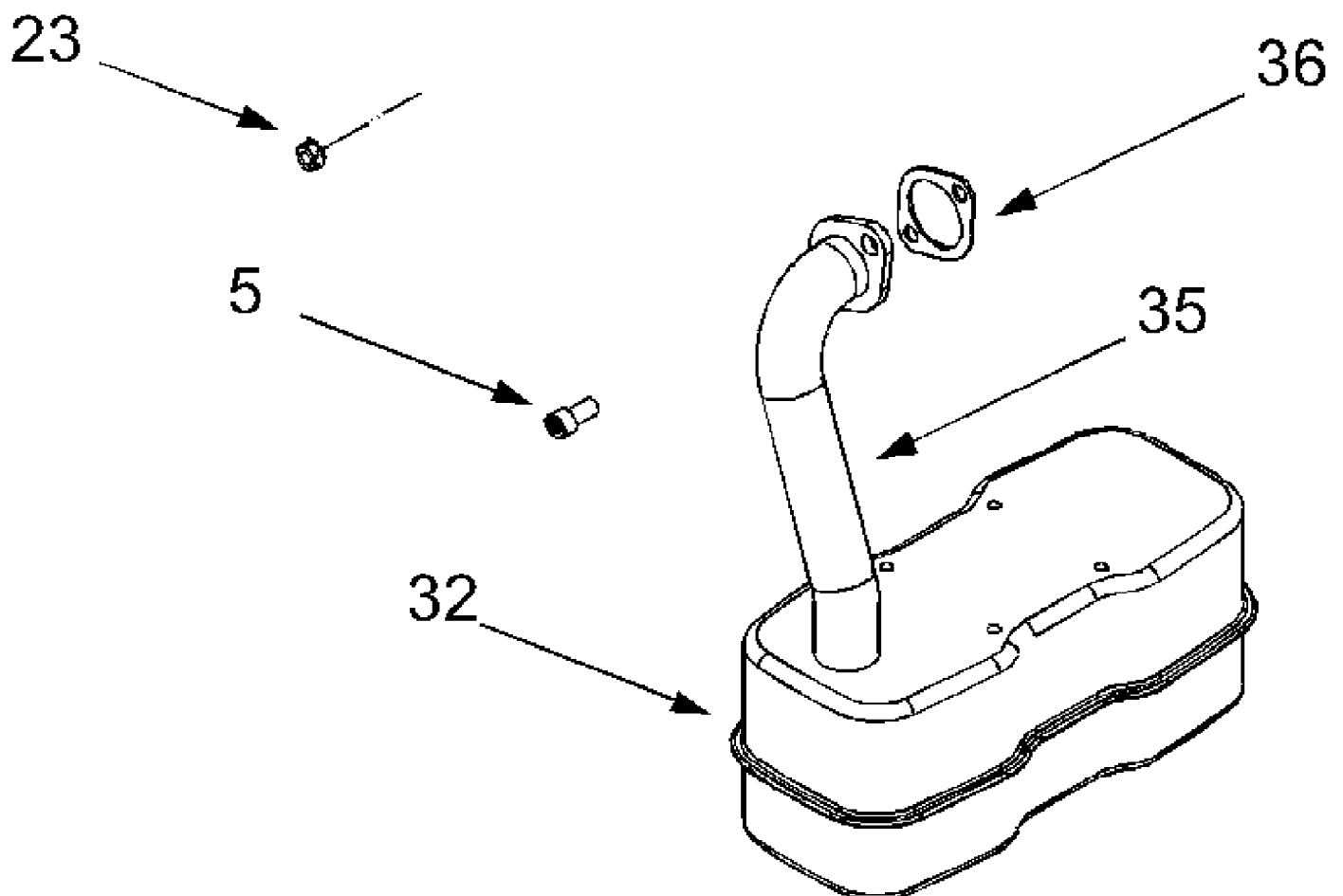
Page 28 of 71

Ref #	Part Number	Qty	S/P/F	Description
23	BS-693556	1	/P	Flywheel
188	BS-691693	1	/P	Screw (Control Bracket)
202	BS-691841	1	/P	Link-Mechanical Governor
209	BS-692208	1	S	Spring-Governor
216	BS-691840	1	/P	Link-Choke
222	BS-694042	1	/P	Bracket-Control
227	BS-691374	1		Lever-Governor Control
232	BS-691842	1	/P	Spring-Governor Link
309	BS-693551	1	/P	Motor-Starter
310	BS-690323	1		Bolt (Starter Motor)
311	BS-497608	1	/P	Brush Set
333	BS-492341	1	/P	Armature-Magneto
334	BS-691061	1		Screw (Armature-Magneto)
356	BS-697089	1		Wire-Stop
363	BS-19203	1		Flywheel Puller
404	BS-691691	1		Washer (Governor Crank)
462	BS-691261	1		Washer (Starter Cable)
474	BS-696458	1	/P	Alternator
501	BS-691185	1	S	Regulator
503	BS-691532	1	/P	Strap-Starter
505	BS-691251	1		Bolt (Governor Control Lever)
510	BS-693699	1		Drive-Starter
513	BS-692024	1	/P	Clutch-Drive
521	BS-690581	1		Shield-Cable
526	BS-697348	1		Screw (Regulator)
544	BS-692034	1	/P	Armature-Starter
562	BS-691119	1		Bolt (Governor Control Lever)
579	BS-691029	1		Nut (Starter Cable)
614	BS-691620	1	S	Pin-Cotter
616	BS-692012	1	/P	Crank-Governor
697	BS-690372	1	S	Screw (Drive Cap)
729	BS-691224	1		Clip-Wire
729A	BS-694123	1		Clip-Wire
783	BS-693713	1		Gear-Pinion
789	BS-698329	1		Harness-Wiring
797	BS-693167	1		Nut (Brush Retainer)
801	BS-691283	1		Cap-Drive
802	BS-691286	1	/P	Cap-End
803	BS-693757	1		Housing-Starter
851	BS-692424	1		Terminal-Spark Plug
877	BS-399916	1		Wire/Connector-Alternator
1005	BS-697111	1		Fan-Flywheel

# OHV Single

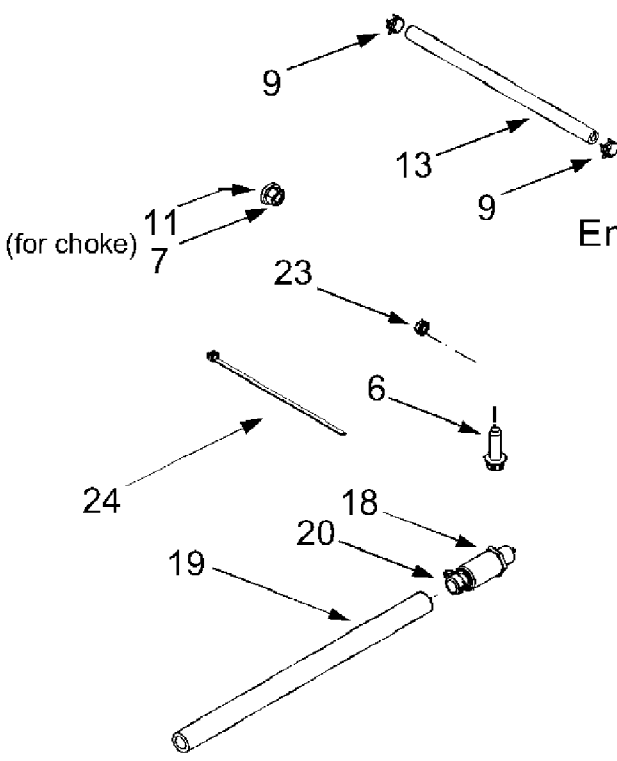


Engine Illustration  
Not Available

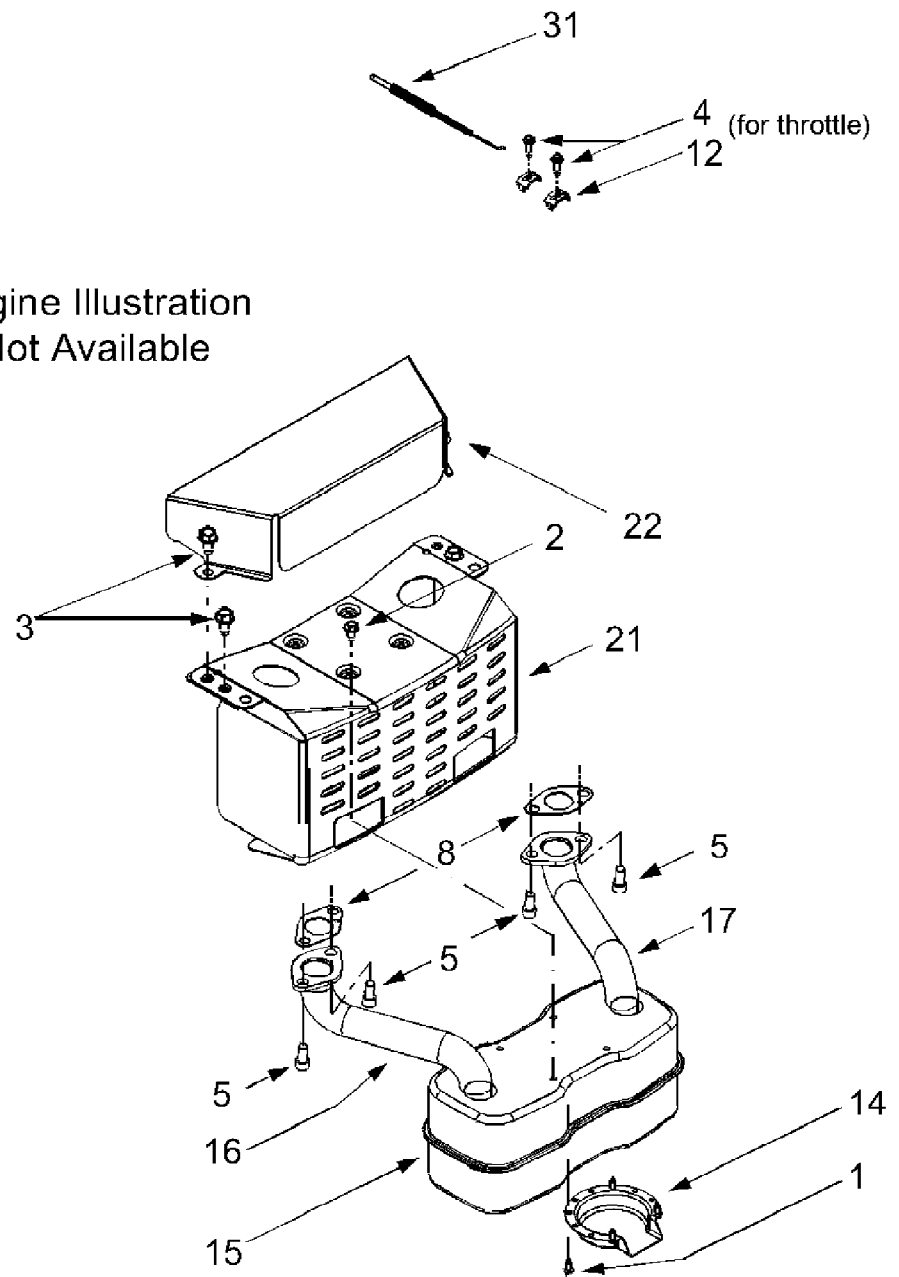


Ref #	Part Number	Qty	S/P/F	Description
4	710-1237	1		Screw, #10-32 x .625 (OHV V-Twin)
5	710-1314A	1	/P	Socket Cap Screw, 5/16-18 x .625
10	751B213146	1	/P	Casing Clamp (OHV Single)
23	712-0271	1	/P	Hex Sems Nut, 1/4-20 (OHV V-Twin)
32	751-0617A	1	S	Muffler, Single Inlet (OHV Single)
33	746-1087	1	S	Throttle Cable (OHV Single)
34	732-0966	1		Extension Spring, .275 x 1.25 (OHV Single)
35	751-0619A	1	/P	Exhaust Pipe (OHV Single)
36	721-0208	1	S	Exhaust Gasket (OHV Single)

OHV V-Twin



Engine Illustration  
Not Available

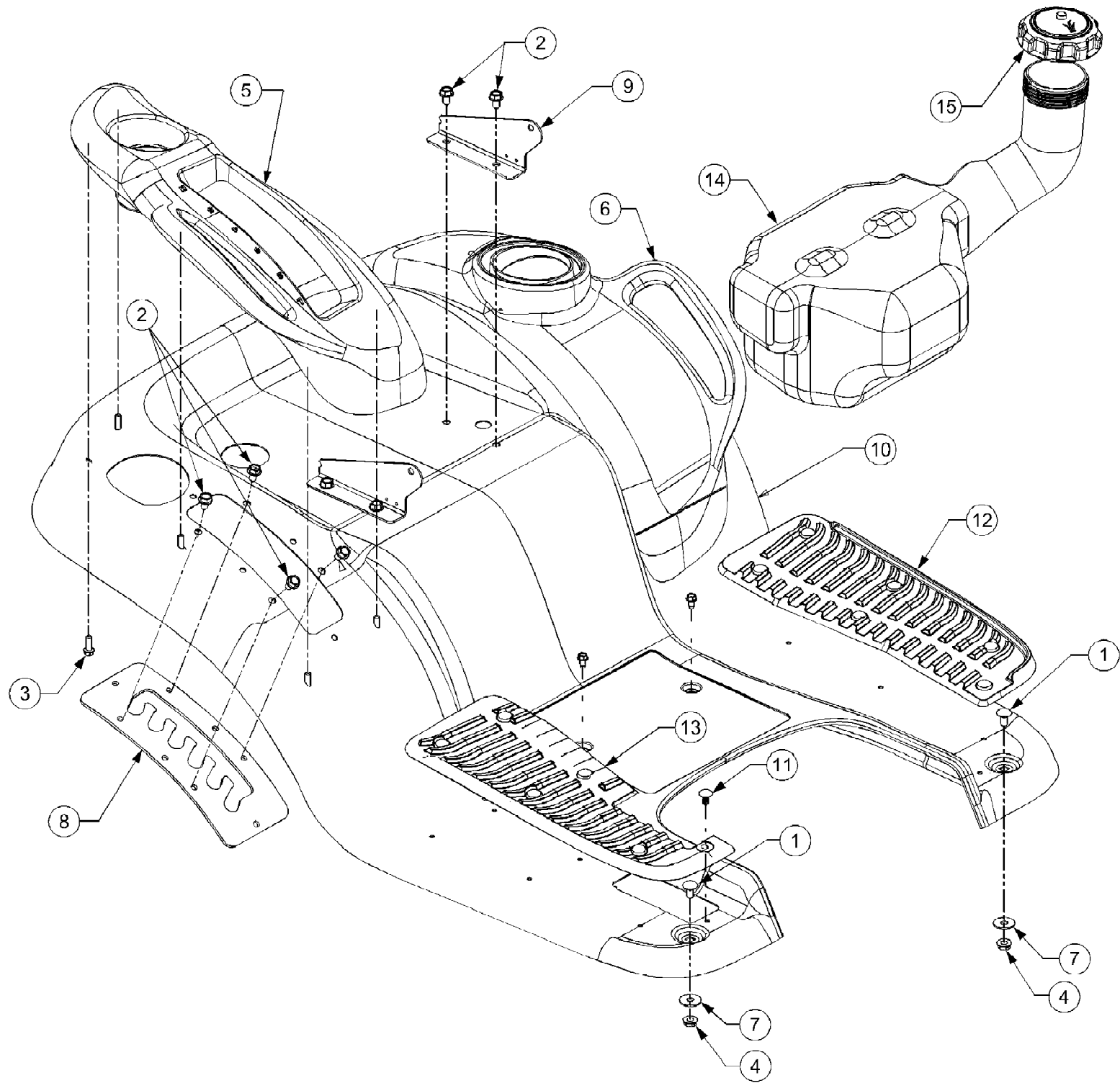


LT1018 Tractor  
Engine Accessories 22 HP

Page 32 of 71

Ref #	Part Number	Qty	S/P/F	Description
1	710-0227	1	/P	Self-tapping Screw, #8-18 x .50
2	710-0599	1	/P	Self-tapping Screw, 1/4-20 x .50
3	710-0726	1	/P	Self-tapping Screw, 5/16-18 x .625
4	710-1237	1		Screw, #10-32 x .625 (OHV V-Twin)
5	710-1314A	1	/P	Socket Cap Screw, 5/16-18 x .625
6	710-1315	1	/P	Self-tapping Screw, 3/8-16 x 1.25
7	712-3017	1	S	Hex Nut, 3/8-16
8	721-0460	1		Exhaust Gasket (OHV V-Twin)
9	726-0205	1	/P	Hose Clamp
11	736-0300	1	S	Lock Washer, .406 x .875 x .059
12	751B221535	1	/P	Casing Clamp (OHV V-Twin)
13	751-0535	1		Fuel Line Hose
14	751-0564A	1	S	Muffler Deflector
15	751-0616A	1	S	Muffler, Twin Inlet (OHV V-Twin)
16	751-0650A	1	S	RH Exhaust Pipe (OHV V-Twin)
17	751-0651A	1	S	LH Exhaust Pipe (OHV V-Twin)
18	751-3140	1	S	Oil Drain Valve
19	751-3141	1	S	Oil Drain Hose
20	751-3142	1		Oil Drain Cap
21	783-0615C	1	S	Muffler Heat Shield
22	783-0625C	1	/P	Engine Heat Shield (OHV V-Twin)
23	712-0271	1	/P	Hex Sems Nut, 1/4-20 (OHV V-Twin)
24	725-0157	1	/P	Cable Tie
31	746-1086	1	S	Throttle Cable (OHV V-Twin)

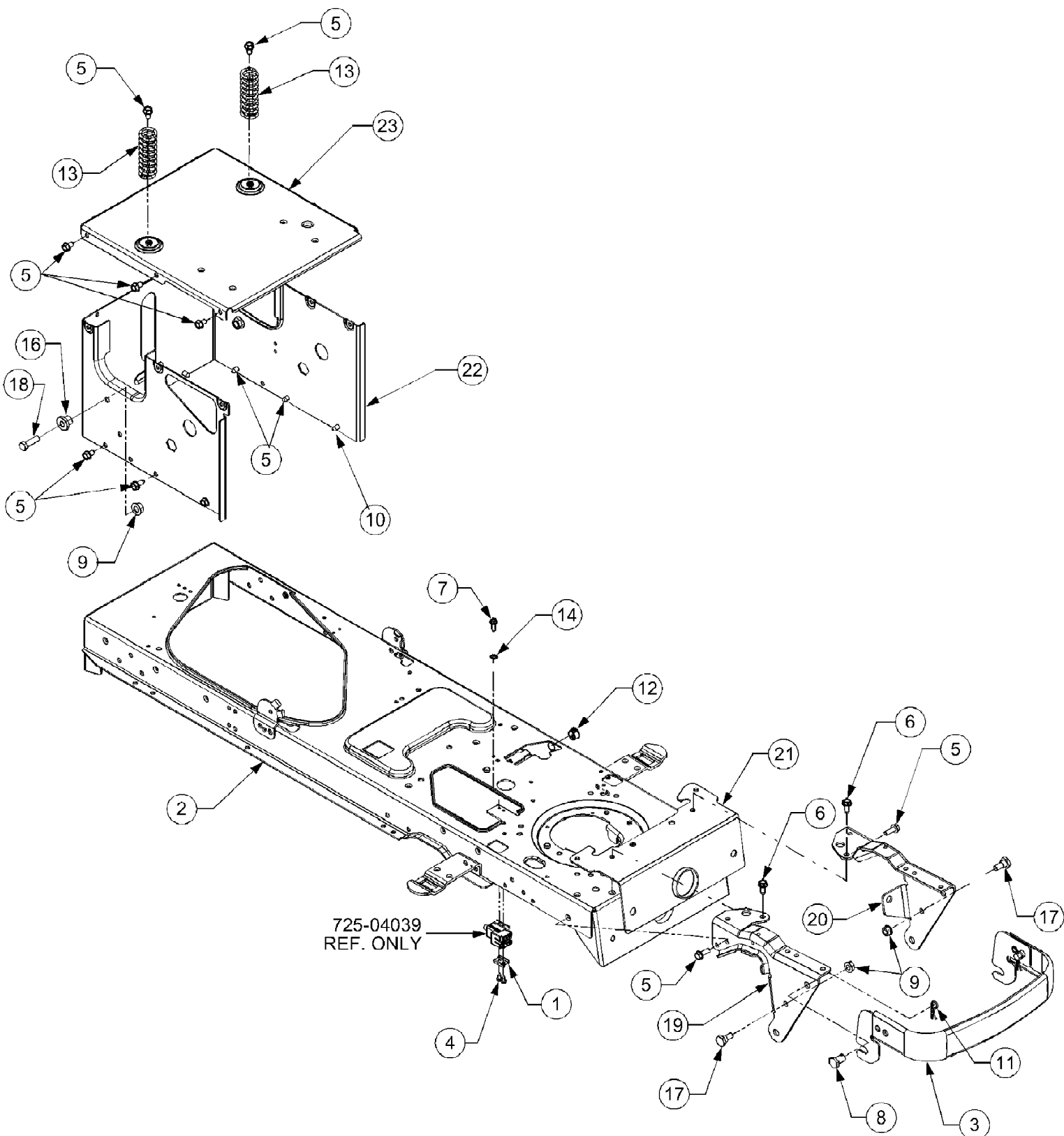




LT1018 Tractor  
Fender & Fuel Tank

Page 34 of 71

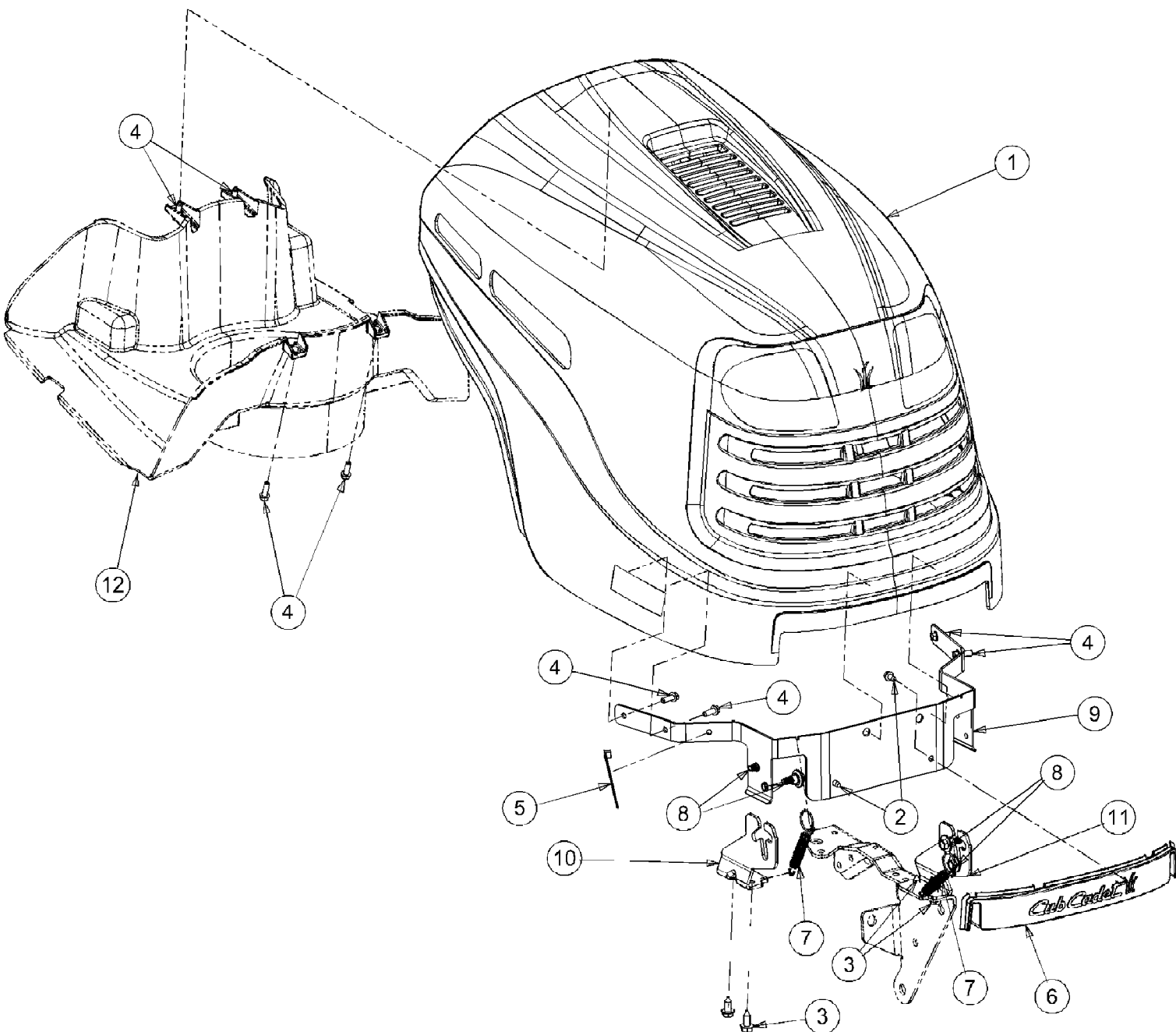
Ref #	Part Number	Qty	S/P/F	Description
1	710-0260A	2	/P	Bolt, Carriage, 5/16-18 x .62 Lg
2	710-0726	8	/P	Screw, 5/16-12, 0.75
3	710-0895	9		Screw, 1/4-15, 0.750
4	712-0429	2	S	Nut, Nylon Lock, 5/16-18
5	731-2616A	1	S	Cover, Fender, RH
6	731-2617	1		Cover, Fender, LH
7	736-3078	2	/P	Washer, Flat, .349 x 1.00 x .063
8	783-0677	1	S	Bracket, Lift, Adjustment
9	783-0715B	2	S	Bracket, Seat, Mount
10	783-04398	1	S	Fender
11	726-3046	12	/P	Clip, Ratchet, .250 Dia
12	735-0697	1		Pad, Foot, LH
13	735-0698A	1	/P	Pad, Foot, RH
14	751-0819A	1	S	Tank, Fuel
15	751-3124B	1	S	Cap, Fuel
16	710-0599	2	/P	Screw, Self-tapping, 1/4-20, 0.500



LT1018 Tractor  
Frame

Page 36 of 71

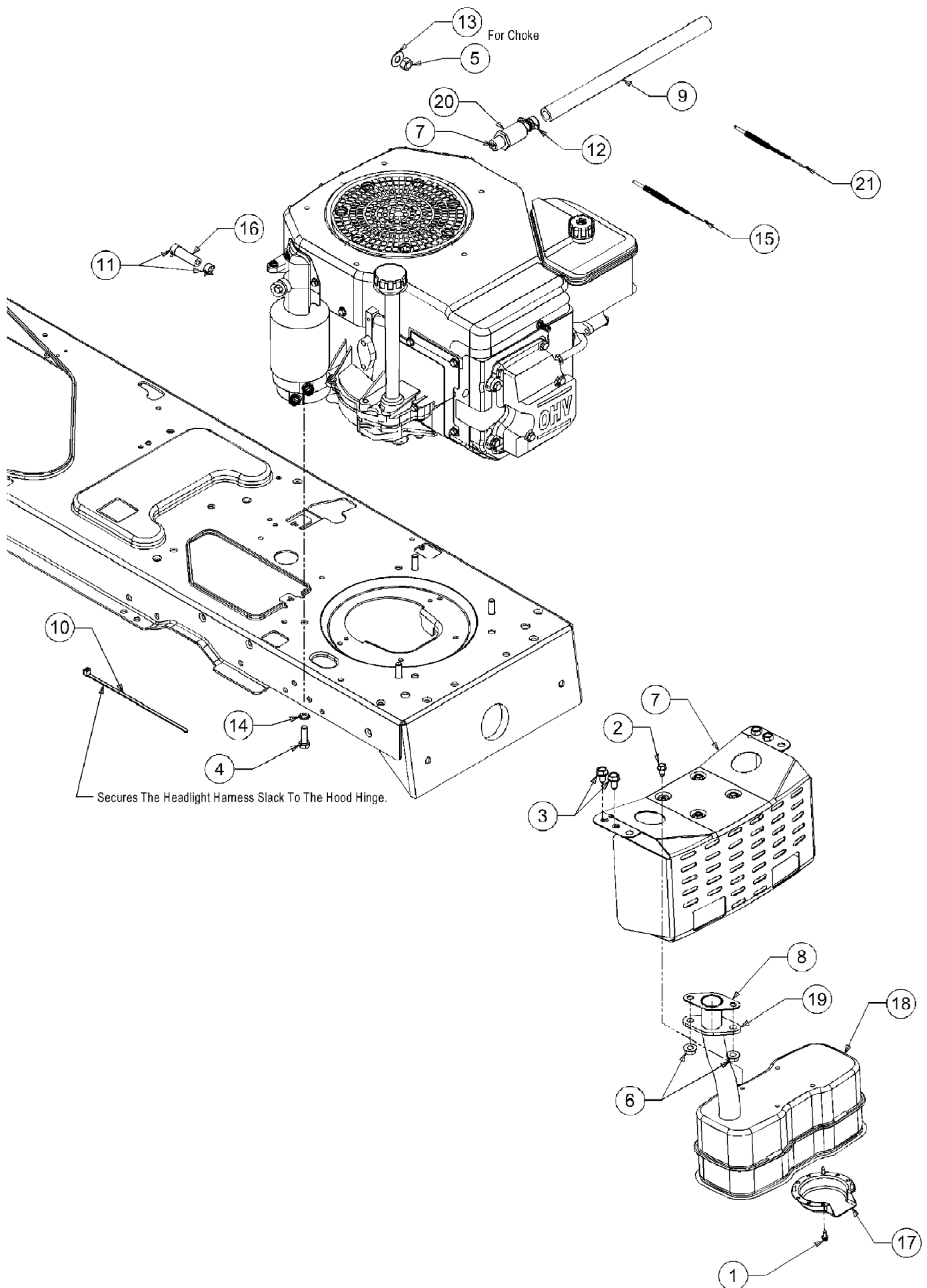
Ref #	Part Number	Qty	S/P/F	Description
1	17962	1		Plate, Switch
2	683-0304A	1		Frame Assembly, Lower
3	683-0612	1		Bumper Assembly
4	710-0224	2	S	Screw, Hex Wash. Hd. Tapp, 10-16 x .5
5	710-0726	15	/P	Screw, Self-tapping, 5/16-18, 0.75
6	710-1260A	2	/P	Screw, 5/16-18, 0.750
7	710-1652	1	/P	Screw, Hex Wash. Hd. Tapp, 1/4-20 x 0.625
8	711-0332	2	S	Pin, Clevis, .50 Dia x .78 Lg
9	712-0130	2	/P	Nut, Nylon Lock, 3/8-16
10	710-0607	1	/P	Screw, Hex Wash. Tapp, 5/16-18 x .5
11	714-0145	2	S	Pin, Click, .092 x 1.64 Lg
12	741-04092	1		Snap Bushing
13	732-04035	2		Spring, Compression, 1.28 OD x 3.125 Lg
14	736-0222	2	S	Washer, Lock, Ext 1/4
16	738-04058	2		Shoulder Spacer
17	738-0143	2	/P	Shoulder Screw, 3/8-16
18	710-3005	2	/P	Hex Screw 3/8-16 x 1.25
19	783-0726C	1	S	Bracket, Pivot, Support RH
20	783-0727B	1	/P	Bracket, Pivot, Support LH
21	783-0728	1		Bracket, Pivot, Bar
22	783-04330	1	S	Frame, Upper, Cub 1500
23	783-04329	1		Bracket, Frame, Seat



LT1018 Tractor  
Hood & Grille

Page 38 of 71

Ref #	Part Number	Qty	S/P/F	Description
1	731-04567	1	S	Hood
	629-04083	1	S	Headlight Harness
	725-0963	2	S	Miniature Lamp, 12 V
	725-1649	2	S	Lamp Socket
	731-04577	1	S	Headlight Lens
	777X41562	1		Headlight Lens Reflector, RH
	777X41563	1		Headlight Lens Reflector, RH
2	710-0599	2	/P	Screw, Hx. Wash, Hd, Tapp 1/4-20 x .5
3	710-0726	4	/P	Self-tapping Screw, 5/16-18 x .625
4	710-0895	8		Screw, 1/4-15 x .75
5	725-0157	1	/P	Cable Tie
6	731-04687	1	S	Cover, Front Hood
7	732-04189	2	S	Spring, .46 x 4.12
8	738-04091	4	S	Shoulder Screw, .43 x .29 x 5/16-18
9	783-04428	1		Pivot Bracket
10	783-04464	1	S	Pivot Bracket, Hood, RH
11	783-04465	1	S	Pivot Bracket, Hood, LH
12	731-04569	1	S	Hood Plenum (LT1018)
	731-04679	1	S	Hood Plenum (LT1022)

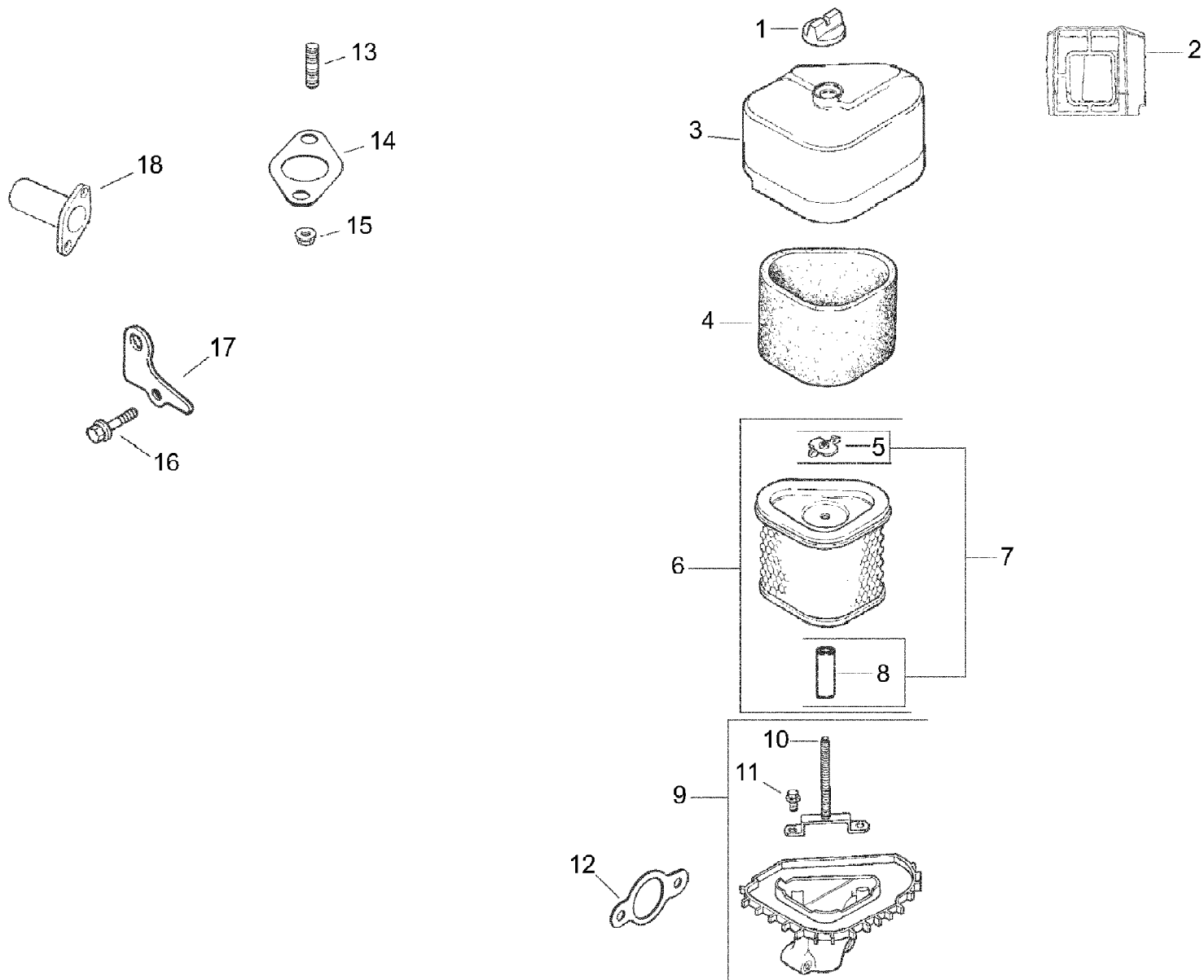


LT1018 Tractor  
Kohler Engine Accessories

Page 40 of 71

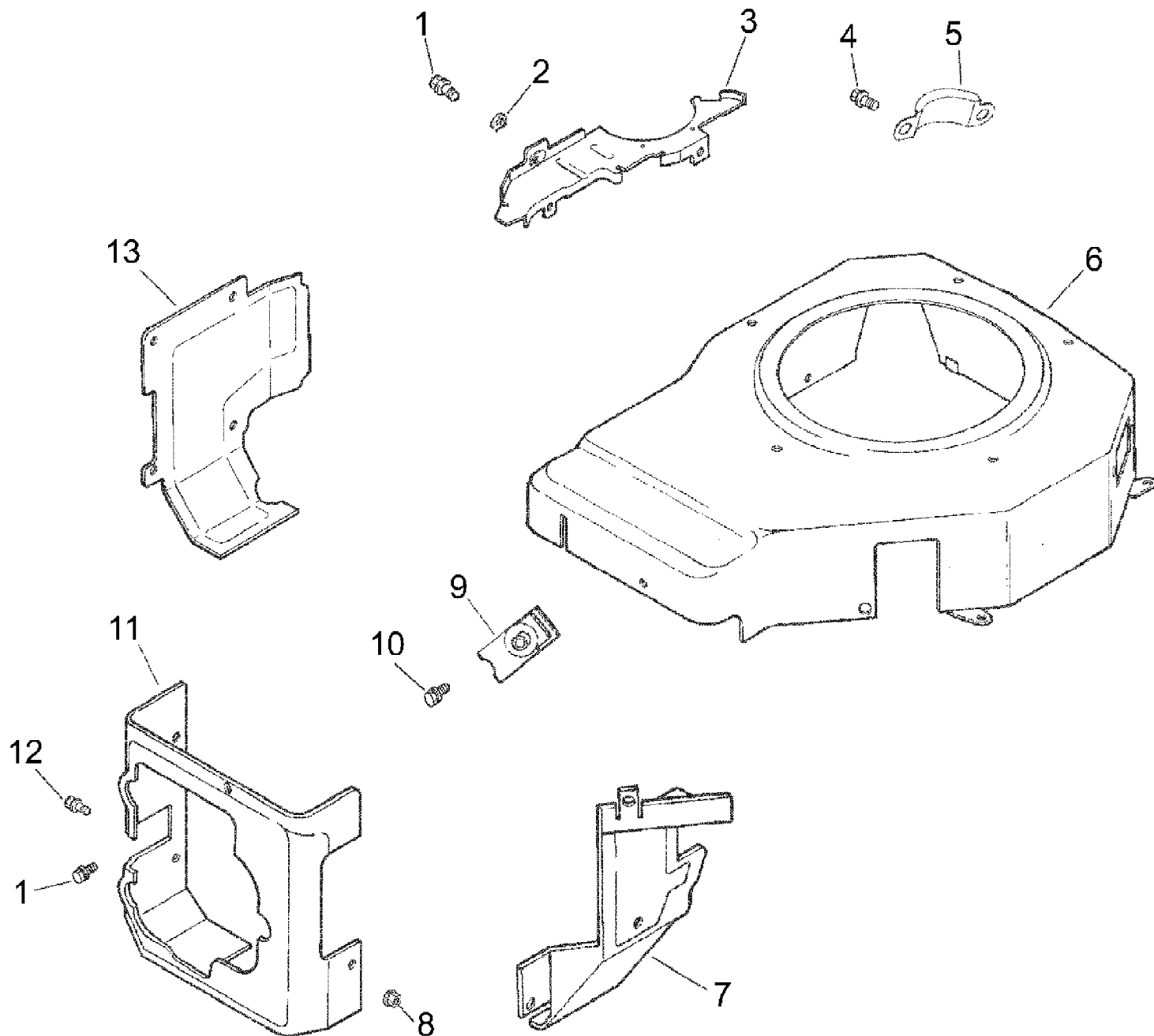
Ref #	Part Number	Qty	S/P/F	Description
1	710-0227	4	/P	Screw, #8-18, 0.500
2	710-0599	4	/P	Screw, Self-tapping, 1/4-20, 0.500
3	710-0726	4	/P	Screw, 5/16-12, 0.75
4	710-3206A	4	/P	Screw, M8-1.25, 25.0, Gr. 8
5	712-3017	1	S	Nut, Hex, 3/8-16, Gr. 8
6	712-3086	2	/P	Flange Nut, M8, 1.25-6h
7	783-0615C	1	S	Shield, Heat, Muffler
8	721-0375	1	S	Gasket, Exhaust, Kohler Single
9	751-3141-12	1	S	Hose, Extension, Oil Drain
10	725-0157	1	/P	Cable, Tie, 3/16 x .05 x 7.4
11	726-0205	2	/P	Clamp, Hose, .490 Dia.
12	751-3142	1		Cap, Oil, Drain
13	736-0300	1	S	Washer, Flat, .406 x .875 x .059
14	736-0607	4	/P	Washer, External Lock, 5/16
15	746-1087	1	S	Cable, Throttle, 27.4 Lg
16	759-3330	1	/P	Hose, 10' Fuel Line - Cut to length 29"
17	751-0564A	1	S	Deflector, Muffler
18	751-0617A	1	S	Muffler, Single Inlet
19	751-0810B	1		Pipe, Exhaust, Kohler Single
20	751-3140	1	S	Drain, Oil
21	746-04121	1		Choke Control





LT1018 Tractor  
Kohler Engine Air Intake And Exhaust

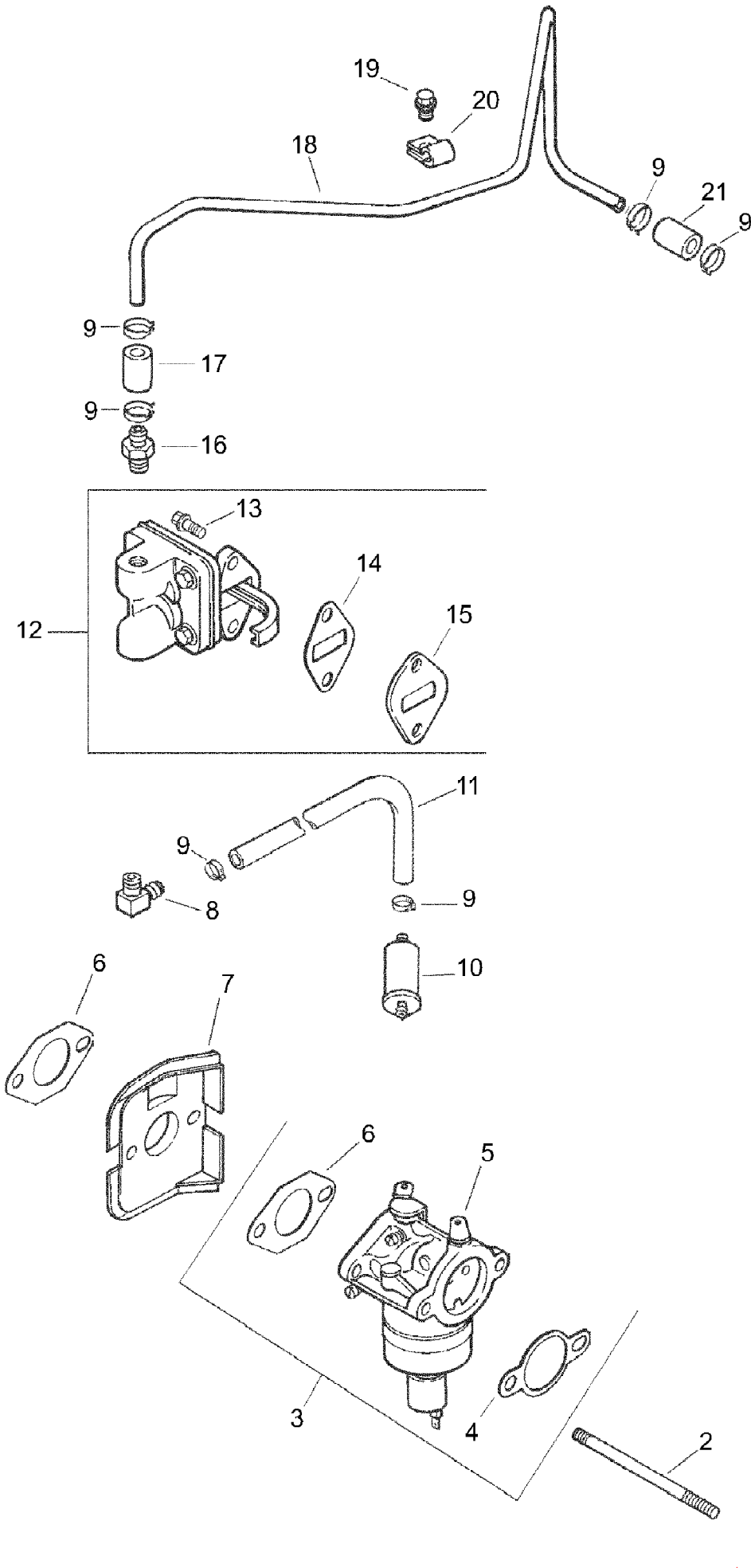
Ref #	Part Number	Qty	S/P/F	Description
1	KH-25-341-03	1	/P	Knob, Air Cleaner Cover
2	KH-12-281-01-S	1		Duct, Air
3	KH-12-096-24-S	1	/P	Cover, Air Cleaner
4	KH-12-083-12	1	S	Precleaner
5	KH-12-100-08-S	1		Wing Nut
6	KH-12-083-10	1	S	Element, Air Cleaner (Includes 5, 7, 8)
7	KH-12-743-12-S	1		Kit, Air Cleaner Seal (Includes 5, 8)
8	KH-12-032-11-S	1		Seal
9	KH-12-094-07	1		Base, Air Cleaner (Includes 10, 11)
10	KH-12-072-04	1		Stud M6 x 1.0 x 79
11	KH-12-086-01	1		Screw, #10 Hi-Lo Thread Forming
12	KH-12-041-02	2	/P	Gasket, Air Cleaner
13	KH-25-072-05-S	1	/P	Stud M8 x 1.25 x 39
14	KH-12-041-03	1	/P	Gasket, Exhaust Manifold
15	KH-M-0841080	1	S	Nut, Hex. Flange M8 x 1.25
16	KH-M-645025-S	1	/P	Screw, Hex. Flange M6 x 1.0 x 25
17	KH-12-445-06	1		Strap, Lifting
18	KH-12-382-05	1		Pipe, Inlet
	KH-12-755-93-S	1	/P	Gasket Set



LT1018 Tractor  
Kohler Engine Blower Housing

Page 44 of 71

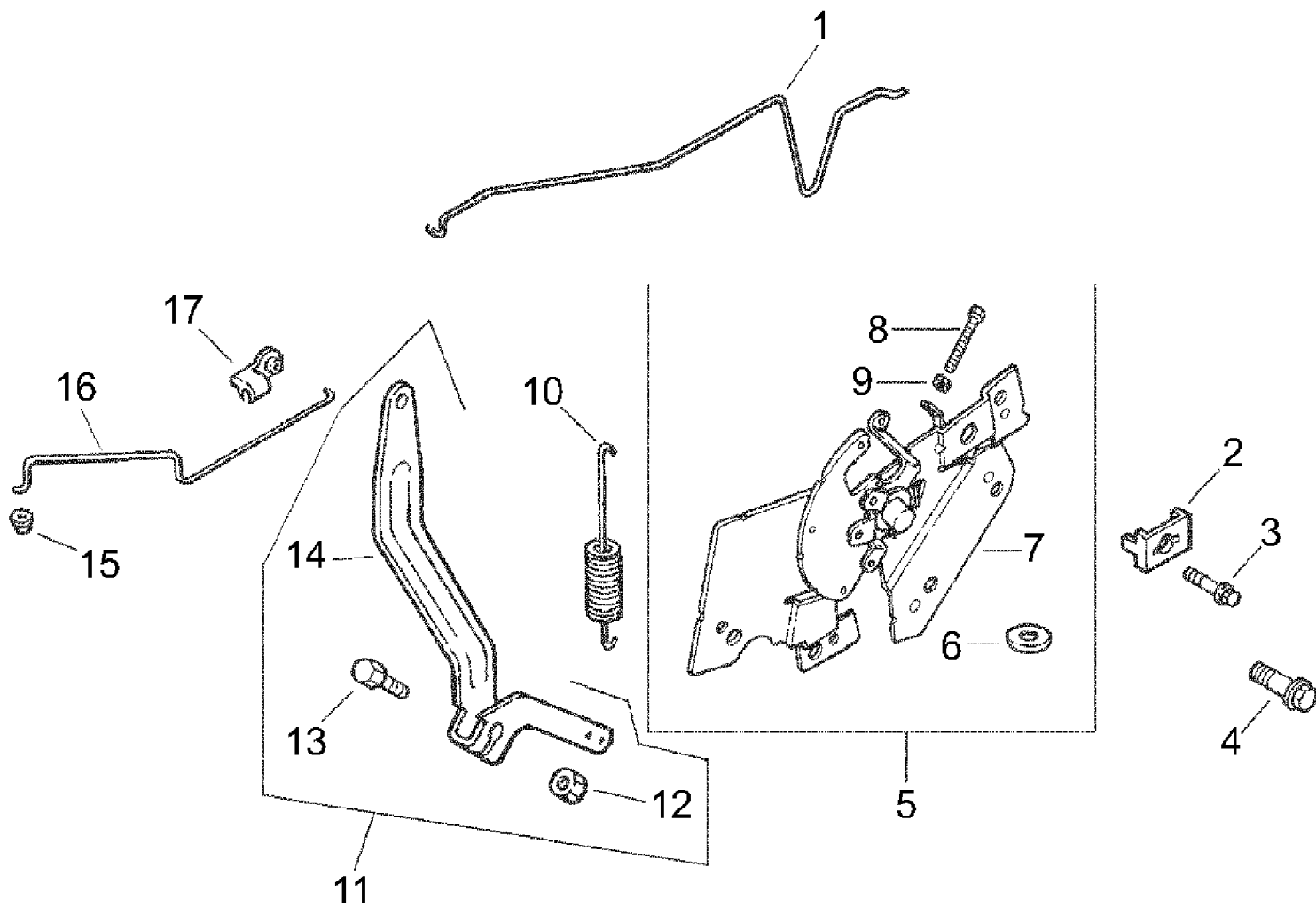
Ref #	Part Number	Qty	S/P/F	Description
1	KH-M-0545010	5	/P	Screw, Hex. Flange M5 x 0.8 x 10
2	KH-24-468-10	1		Washer, Plain 1/4"
3	KH-12-46-07	1		Plate, Blower Housing
4	KH-M-550010-S	2		Screw, Hex. Flange M5 x 0.8 x 10
5	KH-24-096-05	1		Cover, Pinion
6	KH-12-027-55-S	1	S	Housing, Blower
7	KH-12-063-18-S	1		Baffle, Intake Side
8	KH-M-541050-S	3		Nut, Hex. Flange M5 x 0.8
9	KH-25-154-02	2		Clip, Mounting
10	KH-M-645016-S	1	/P	Screw, Hex. Flange M6 x 1.0 x 16
11	KH-12-063-20-S	3		Baffle, Cylinder Head
12	KH-12-086-37	1		Screw, Captive Washer M5 x 0.8 x 20
13	KH-12-063-19-S	2	/P	Baffle, Cylinder
	KH-24-086-18	2		Screw, Phillips Hd. 11-16 x 7/8"
	KH-X-25-92	2		Screw, Phillips Hd. 11-16 x 7/8"



LT1018 Tractor  
Kohler Engine Carburetor & Fuel Pump

Page 46 of 71

Ref #	Part Number	Qty	S/P/F	Description
1	KH-M-64-060-S	2		Nut, Hex. Flange M6 x 1.0
2	KH-M-629116	2		Stud M6 x 1.0 x 116 (2)
3	KH-12-853-117-S	1	/P	Kit, Carburetor W/ Gaskets (Includes 4, 5, 6 [Qty. 1], Tie KH-12 454 03-S, & Terminal KH-25 452 20-S)
4	KH-12-041-02	1	/P	Gasket, Air Cleaner
5		1		Carburetor Assembly
6	KH-12-041-01	2	/P	Gasket, Carburetor
7	KH-12-265-06-S	1		Deflector, Heat
8	KH-25-155-02	1	/P	Connector, 90x Hose
9	KH-25-237-14-S	6	/P	Clamp, Fuel Line
10	KH-25-050-07-S	1	/P	Filter, Fuel
11	KH-25-353-02	1		Line, Fuel 3"
12	KH-12-559-02-S	1	/P	Kit, Fuel Pump (Includes 13-15)
13	KH-M-645020-S	2	/P	Screw, Hex. Flange M6 x 1.0 x 20
14	KH-25-041-09	2	S	Gasket, Fuel Pump
15	KH-12-112-05	1		Spacer, Fuel Pump
16	KH-25-326-03-S	1	/P	Connector, Straight Hose
17	751-0535-12	1	S	Line, Fuel 1-1/4"
18	KH-12-123-19	1		Line, Fuel - Metal
19	KH-M-0545010	1	/P	Screw, Hex. Flange M5 x 0.8 x 10
20	KH-12-154-01	1		Clamp, Fuel Line
21	KH-41-353-18-S	1		Line Fuel 2-1/2"
	KH-12-757-02	1	/P	Kit, Float
	KH-12-757-03	1	/P	Kit, Carburetor Repair
	KH-12-757-3	1		Kit, Solenoid Repair
	KH-12-518-24-S	1		Lead, Red (20" - 18 Gauge - Insulated Socket And Uninsulated Push On Tab Terminals)
	KH-12-454-03-S	3	/P	Tie, Wire
	KH-M-561010	1	F	Screw, Thread Forming M5 x 0.8 x 10
	KH-X-22-11	1	F	Washer, Lock 1/4"
	KH-25-452-20-S	1		Terminal

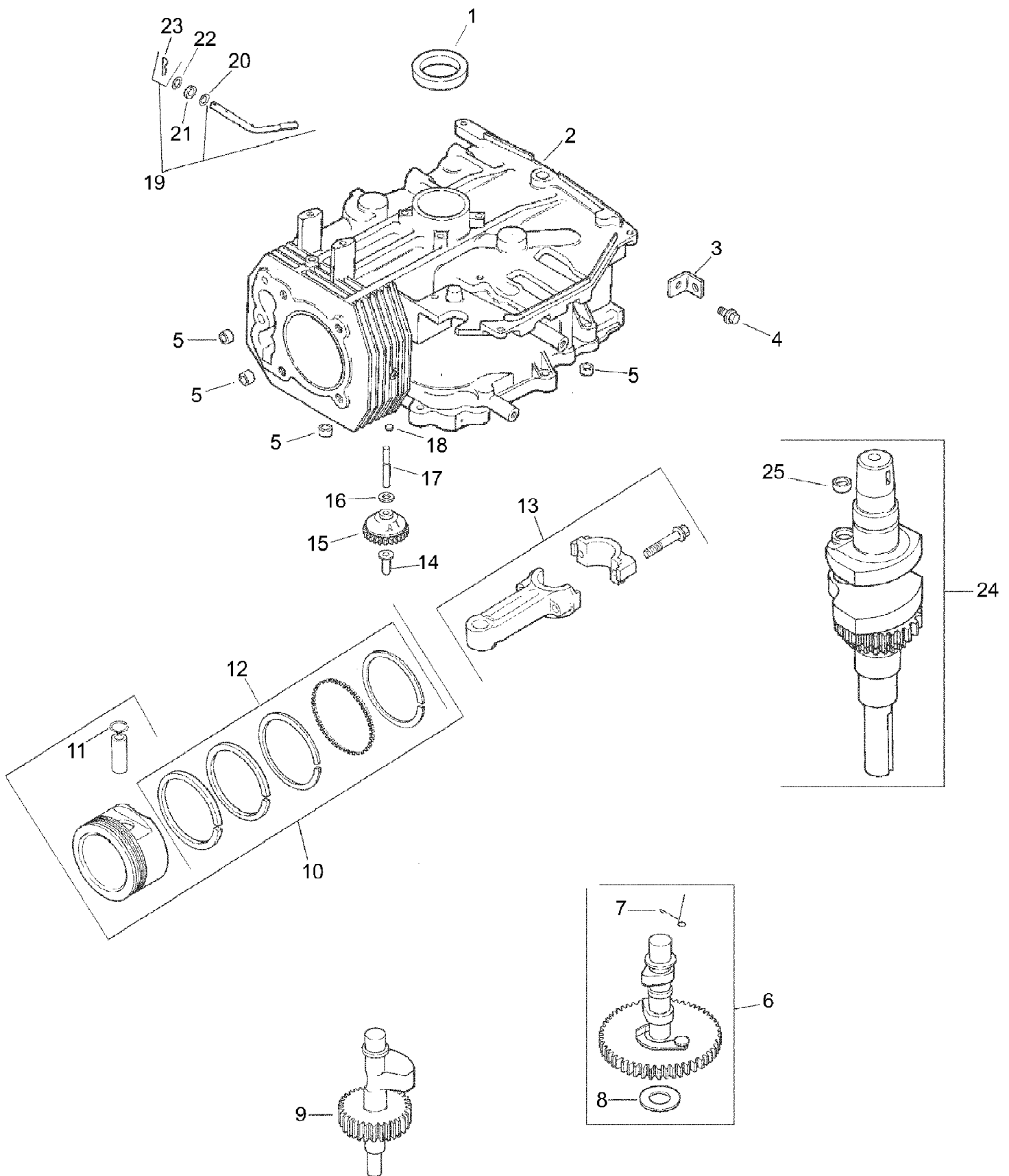


LT1018 Tractor  
Kohler Engine Controls

Page 48 of 71

Ref #	Part Number	Qty	S/P/F	Description
1	KH-12-079-11-S	1		Linkage, Choke
2	KH-12-237-01	2		Clamp, Cable
3	KH-M-545016-S	2	/P	Screw, Hex. Flange M5 x 0.8 x 16
4	KH-M-664020-S	2		Screw, Lobed Socket M6 x 1.0 x 20
5	KH-12-536-02	1		Control, Speed Assembly (Incl. 6-9)
6	KH-230293	1		Spacer, Shim .005
7	KH-12-126-75	1		Bracket, Control
8	KH-M-401030	1	/P	Screw, Hex. Flange M4 x 0.7 x 30
9	KH-M-446030- S	1		Nut, Hex. M4 x 0.7
10	KH-52-089-07	1		Spring, Governor
11	KH-12-755-83	1		Kit, Governor Lever (Includes 12-14)
12	KH-12-100-07	1		Nut, Hex. Flange M6 x 1.0
13	KH-52-211 04	1		Screw, Hex. Flange M6 x 1.0 x 25
14	KH-12-090-28	1	/P	Lever, Governor
15	KH-25-158-08	1	/P	Bushing, Linkage Retaining
16	KH-12-079-10-S	1		Linkage, Throttle
17	KH-25-158-11	1	/P	Bushing, Linkage Retaining

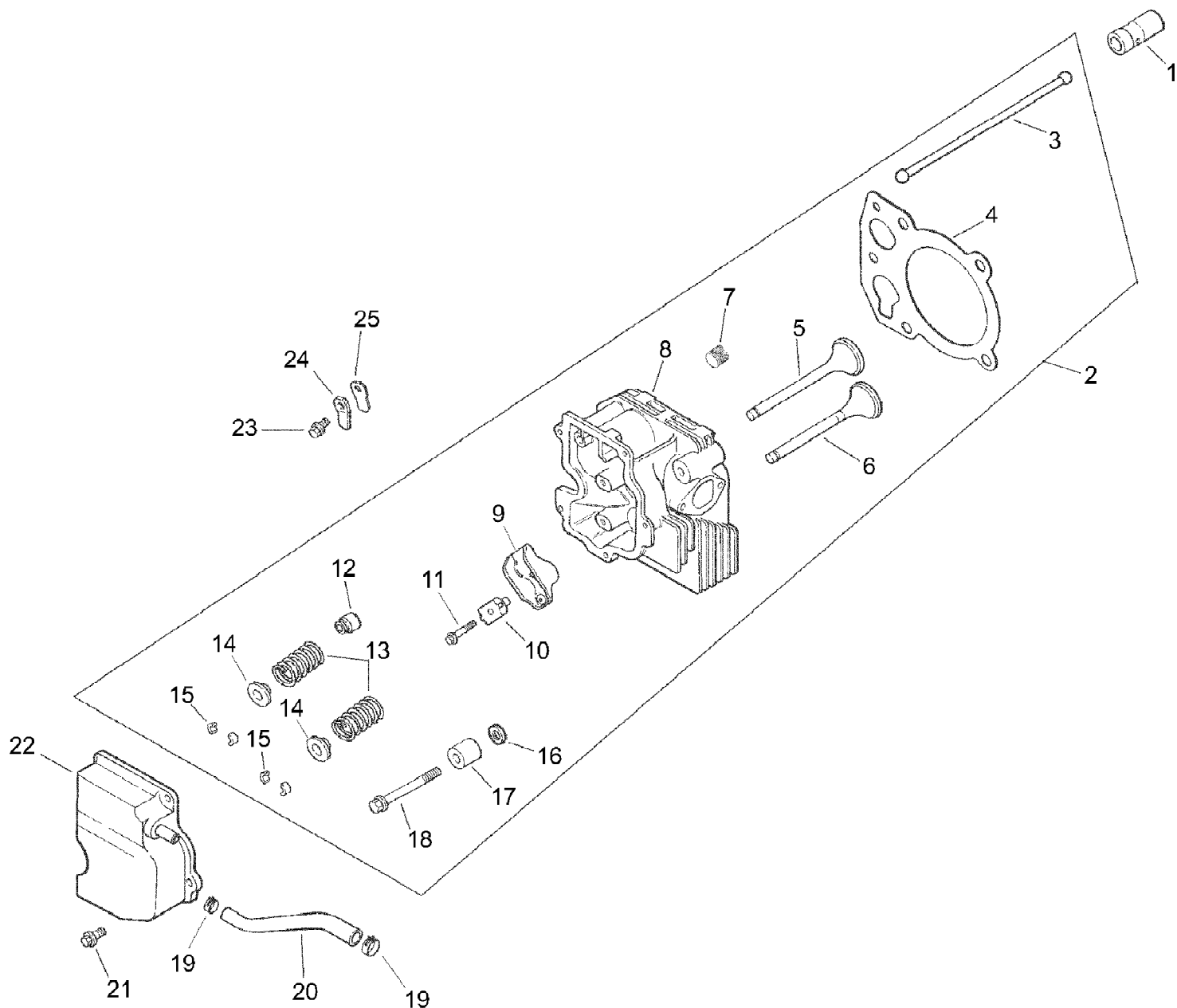




LT1018 Tractor  
Kohler Engine Crankshaft & Crankcase

Page 50 of 71

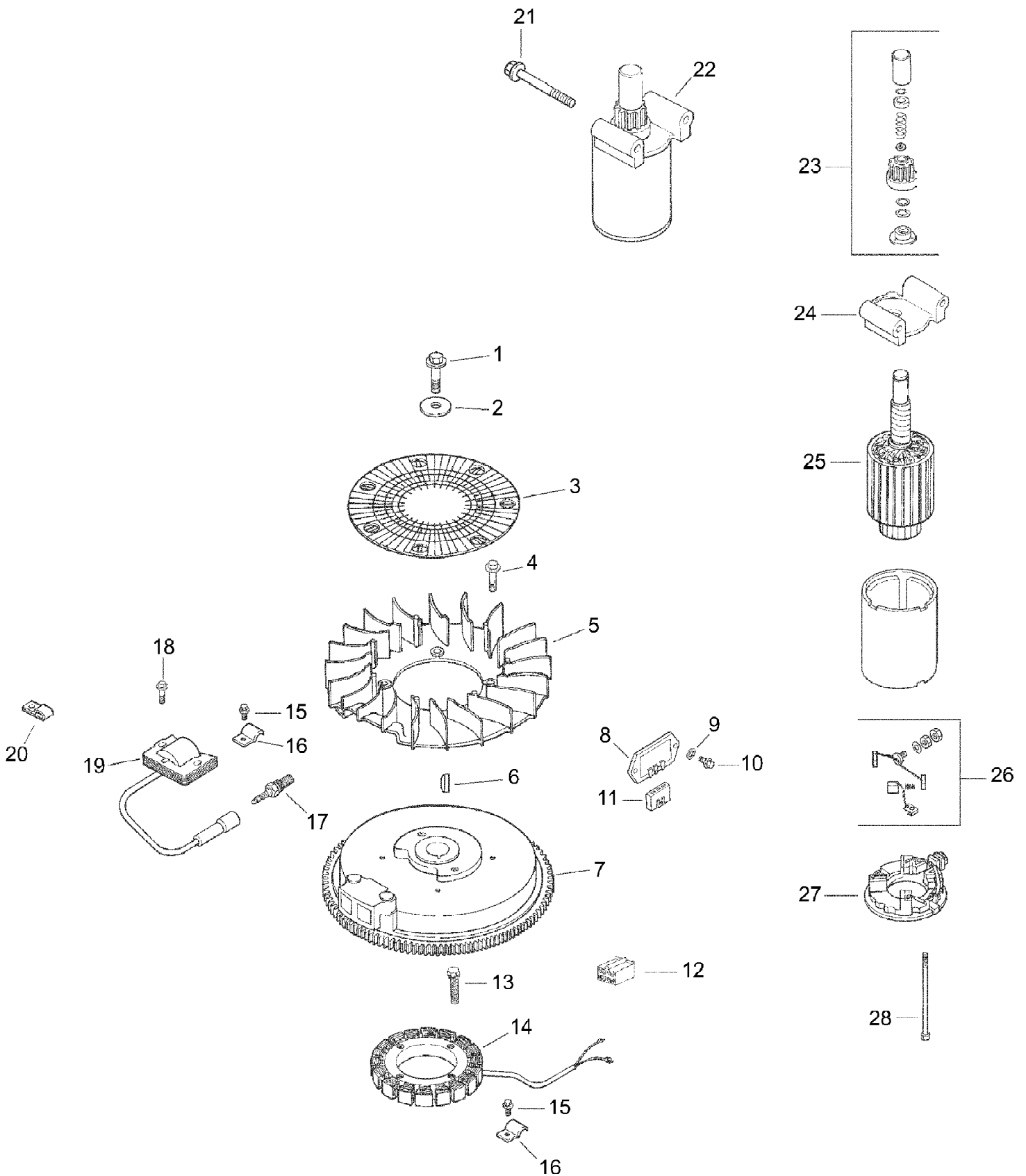
Ref #	Part Number	Qty	S/P/F	Description
1	KH-12-032-03	1	/P	Seal, Crankshaft
2	KH-12-522-51	1		Crankcase (Short Block)
3	KH-12-445-02	1		Strap, Lifting
4	KH-M-839025-S	1		Screw, Hex. Flange M8 X 1.25 X 25
5	KH-24-380-13-S	1	S	Pin, Locating
6	KH-12-755-49	1		Kit, Camshaft (Includes 7, 8)
7	KH-12-089-31-S	1	/P	Spring, Actuating
8	KH-12-422-08	AR	S	Shim, Camshaft - Blue
	KH-12-422-09	AR	S	Shim, Camshaft - Red
	KH-12-422-10	1	S	Shim, Camshaft - Yellow
	KH-12-422-11	AR	S	Shim, Camshaft - Green
	KH-12-422-12	AR	S	Shim, Camshaft - Gray
	KH-12-422-13	AR	S	Shim, Camshaft - Black
	KH-12-422-07	AR	S	Shim, Camshaft - White
9	KH-12-144-28-S	1		Shaft, Balance
10	KH-12-874-07	1		Piston w/ Ring Set (Std.) (Includes 11, 12)
	KH-12-874-08	1		Piston w/ Ring Set (.25)
	KH-12-874-09	1		Piston w/ Ring Set (.50)
	KH-12-874-11-S	1		Piston w/ Ring Set (.08)
11	KH-12-018-02	1		Retainer, Piston Pin
12	KH-12-108-07-S	1	/P	Ring Set (Std. & .08)
	KH-12-108-08	1		Ring Set (.25)
	KH-12-108-09	1		Ring Set (.50)
13	KH-12-067-11-S	1		Connecting Rod (Std.)
	KH-12-067-12-S	1		Connecting Rod (Std.)
14	KH-12-380-01	1	/P	Pin, Governor Regulating
15	KH-12-043-05	1	/P	Gear, Governor
16	KH-M-631005	1	/P	Washer, Plain 6 Mm
17	KH-12-144-02	1		Shaft, Governor Gear
18	KH-52-139-09	1	S	Plug, Cup
19	KH-12-755-64	1	/P	Kit, Governor Cross Shaft w/clip (Incl. 23)
20	KH-X-25-102-S	1	/P	Washer, Plain 1/4"
21	KH-12-032-01	1		Seal, Governor Cross Shaft
22	KH-M-631015	1	/P	Washer, Plain 6 Mm
23	KH-12-154-05	1		Clip, Hitch Pin
24	KH-12-041-57-S	1		Crankshaft (Includes 25)
25	KH-12-139-27-S	1		Plug, Cup



LT1018 Tractor  
Kohler Engine Cylinder Head & Valves

Page 52 of 71

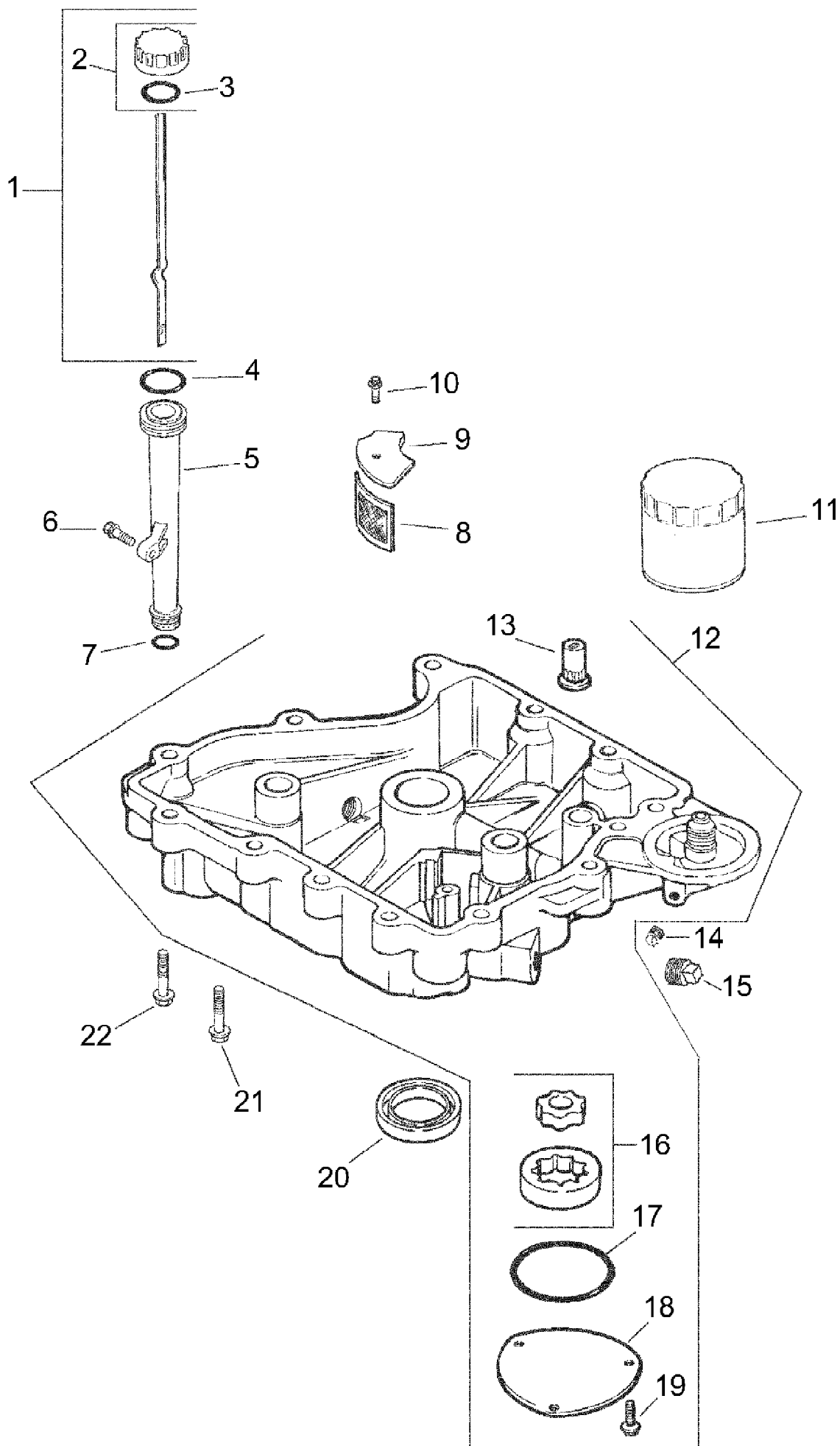
Ref #	Part Number	Qty	S/P/F	Description
1	KH-25-351-01	2	S	Lifter, Valve
2	KH-12-755-94-S	1		Kit, Cylinder Head (Incl. 3-17, Carburetor Gasket (2), Air Cleaner Base Gasket, Exhaust Manifold Gasket)
3	KH-12-411-03-S	2	S	Rod, Push
4	KH-12-041-10	1		Gasket, Cylinder Head
5	KH-12-017-01	1		Valve, Intake (Std.)
6	KH-12-016-01	1		Valve, Exhaust (Std.)
7	KH-25-139-60-S	1	/P	Plug, Allen Hd. 1/8" Pipe
8	KH-12-318-36-S	2		Cylinder Head
9	KH-25-186-01	2	/P	Arm, Rocker
10	KH-12-599-03	2		Pivot, Rocker Arm
11	KH-M-640034-S	2	/P	Screw, Hex. Flange M6 x 1.0 x 34
12	KH-66-032-05-S	2	/P	Seal, Valve Stem
13	KH-12-089-34-S	2	/P	Spring, Valve
14	KH-12-173-01	2	/P	Cap, Valve Spring
15	KH-12-755-03	2	/P	Kit, Retainer
16	KH-12-468-05	1		Washer, Plain 13/32"
17	KH-12-112-13	1		Spacer, Head Bolt Exhaust Port
18	KH-20-086-02-S	5	/P	Screw, Hex. Flange M10 x 1.5 x 81
19	KH-25-237-14-S	2	/P	Clamp, Hose
20	KH-12-326-03	1	/P	Hose, Breather
21	KH-M-645020-S	5	/P	Screw, Hex. Flange M6 x 1.0 x 20
22	KH-12-096-07	1	S	Cover, Valve W/nipple
23	KH-M-0545010	1	/P	Screw, Hex. Flange M5 x 0.8 x 10
24	KH-12-018-01	1	S	Retainer, Breather Reed
25	KH-12-402-02	1		Reed, Breather
	KH-12-017-02	1		Valve, Intake (.25)
	KH-12-016-02	1		Valve, Exhaust (.25)
	KH-12-041-01	2	/P	Gasket, Carburetor
	KH-12-041-02	1	/P	Gasket, Air Cleaner Base
	KH-12-041-03	1	/P	Gasket, Exhaust Manifold



LT1018 Tractor  
Kohler Engine Ignition & Electric Starter

Page 54 of 71

Ref #	Part Number	Qty	S/P/F	Description
1	KH-12-086-14	1		Screw, Hex. Flange M10 x 1.5 x 46
2	KH-12-468-03	1	/P	Washer, Plain 3/8"
3	KH-24-162-03	1		Screen, Grass
4	KH-25-086-47	4	/P	Bolt, Shoulder M6 x 1.0 x 16
5	KH-12-157-06-S	1		Fan
6	KH-X-42-15	1	/P	Key
7	KH-12-025-15	1	/P	Flywheel
8	KH-41-403-09	1	S	Rectifier-regulator
9	KH-X-22-11	2		Washer, Lock 1/4
10	KH-M-639016-S	2	/P	Screw, Hex. Flange M6 x 1.0 x 16
11	KH-236602-S	1	S	Connector, Rectifier-regulator (3 Contact)
12	KH-41-155-02-S	1		Connector (4 Contact)
13	KH-M-548025-S	2	/P	Screw, Hex. Cap M5 x 0.8 x 25
14	KH-237878	1	/P	Kit, Stator (Includes Terminal 25 452 01-S)
15	KH-M-0545010	2	/P	Screw, Hex. Flange M5 x 0.8 x 10
16	KH-X-728-1	2		Clip
17	759-3336	1	/P	Spark Plug
18	KH-M-545020-S	2		Screw, Hex. Flange M5 x 0.8 x 20
19	KH-12-584-04	1	/P	Module, Ignition
20	KH-12-154-06-S	2		Clip
21	KH-M-839070-S	2	/P	Screw, Hex. Flange M8 x 1.25 x 70
22	KH-12-098-22-S	1	/P	Starter Assembly (Includes 3-8)
23	KH-12-755-53	1	/P	Kit, Drive
24	KH-12-227-19-S	1		Cap, Drive End
25	KH-12-070-05-S	1		Armature
26	KH-12-221-01-S	1		Brush Assembly
27	KH-12-227-13-S	1		Commutator, End Cap
28	KH-12-211-01-S	2		Bolt, Thru
	KH-25-452-01-S	2		Terminal
	KH-X-25-5	1		Washer, Plain
	KH-12-176-38-S	1		Harness, Wiring
	KH-12-518-01	1		Lead, White (19" - 18 Gauge Fully Insulated Push On Tab And Uninsulated Push On Terminals)
	KH-24-518-12-S	1	/P	Lead, Black (6" - 12 Gauge - Insulated Grip Barrel Eyelet Terminals)
	KH-25-518-05	1		Lead, Black (5" - 14 Gauge - Uninsulated Push On Tab Terminals)



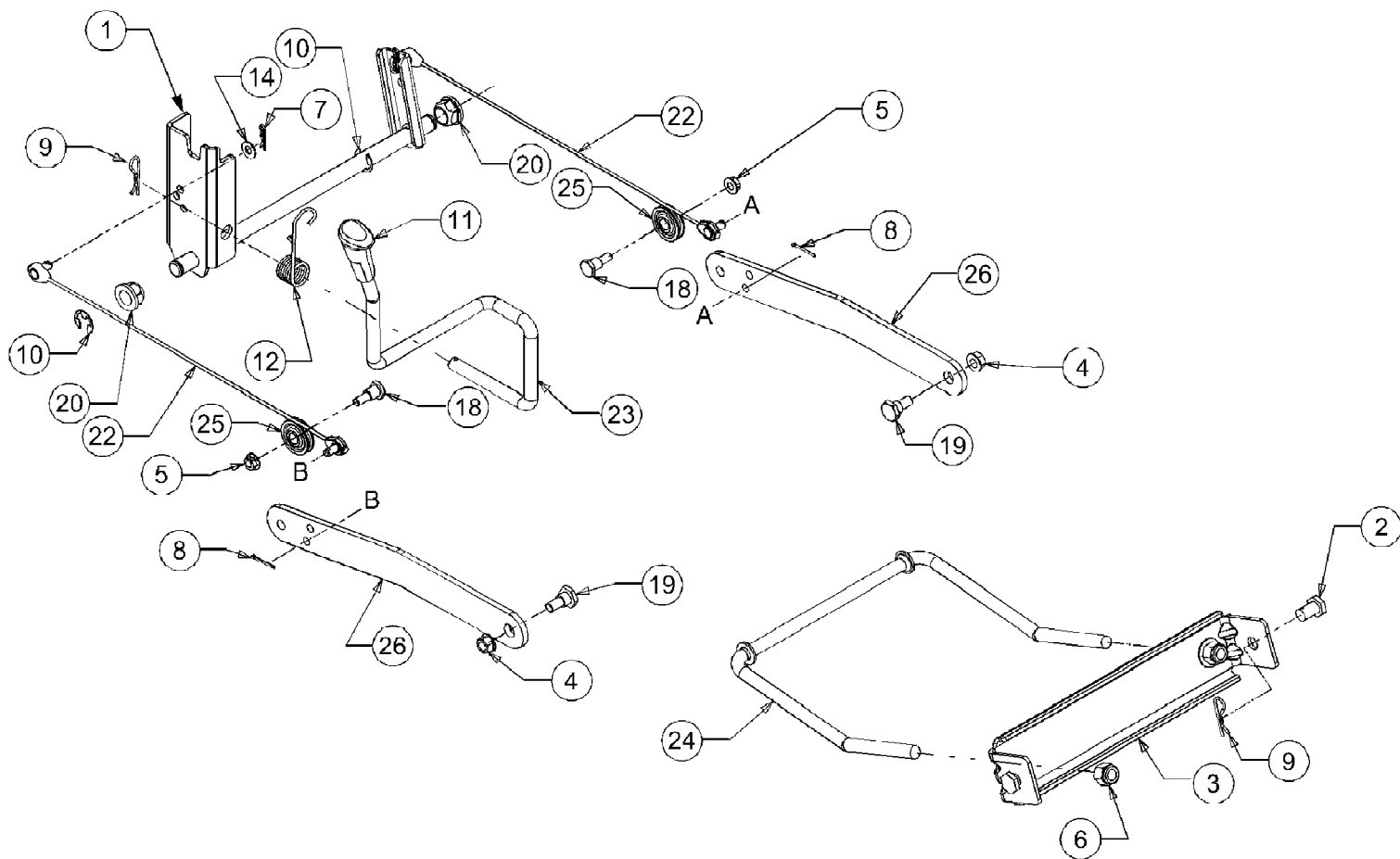
Ref #	Part Number	Qty	S/P/F	Description
1	KH-12-038-01	1		Dip stick (Includes 2, 3)
2	KH-24-755-46	1	/P	Kit, Oil Fill Cap (Includes 3)
3	KH-12-153-03	1		O-ring
4	KH-12-153-02-S	1	/P	O-ring, Upper Oil Fill Tube
5	KH-12-123-04	1	S	Tube, Oil Fill
6	KH-M-645025-S	1	/P	Screw, Hex. Flange M6 x 1.0 x 25
7	KH-12-153-01-S	1	/P	O-ring, Lower Oil Fill Tube
8	KH-25-162-07	1		Screen, Oil Pickup
9	KH-12-096-03-S	1	/P	Cover, Oil Pickup Screen
10	KH-M-545016-S	1	/P	Screw, Hex. Flange M5 x 0.8 x 16
11	KH-12-050-08	1	S	Filter, Oil
12	KH-12-199-50-S	1	/P	Pan, Oil (Includes 13, 16-19)
13	KH-25-462-09	1	/P	Valve, Oil Pressure Relief
14	KH-25-139-52-S	1		Plug, Sq. Hd. 1/8"
15	KH-25-139-57-S	2	/P	Plug, Sq. Hd. Solid 3/8"
16	KH-12-393-01	1		Pump Assembly, Oil
17	KH-12-153-06	1		O-ring, Oil Pump Cover
18	KH-12-096-34	1		Cover, Oil Pump
19	KH-M-545016-S	3	/P	Screw, Hex. Flange M5 x 0.8 x 16
20	KH-12-032-03	1	/P	Seal, Oil (P.T.O. End)
21	KH-24-086-16	11	S	Screw, Hex. Flange M8 x 1.25 x 45
22	KH-24-086-17	1	S	Screw, Hex. Flange M8 x 1.25 x 45





Ref #	Part Number	Qty	S/P/F	Description
777D06883	777D06883	1	/P	LABEL-SEAT BACK
777D01782	777D01782	1	/P	LABEL-MADE IN USA
777I20310	777I20310	1		LABEL-SEAT ADJUSTE
777I22240	777I22240	1		LABEL-HYDRO ENGAGE
777I22237	777I22237	1		LABEL-DASH
777X41695	777X41695	1		LABEL-PARTS LIST
777D07932	777D07932	1		LABEL-CYCLO CUT
777S30018	777S30018	1	/P	LABEL-DECK SAFETY
777D07755	777D07755	1		LABEL-42" CUT
777S30503	777S30503	1	/P	LABEL-DANGER CHUTE
777S30284	977S30145	1	/P	LABEL
777X41795	777X41795	1		LABEL-PATENT PENDI
777D07955	777D07593	1	/P	LABEL-HOOD LH
777D07956	777D07592	1	/P	LABEL-HOOD RH
777D07928	777D07928	1		LABEL-MODEL LT1018
777I22241	777I22241	1		LABEL-FUEL LEVEL
777S32343	777S32343	1		LABEL-FRAME COVER
777D07927	777D07927	1		LABEL-1000 FENDER

LT1018 Tractor  
Lift Assembly



LT1018 Tractor  
Lift Assembly

Page 60 of 71

Ref #	Part Number	Qty	S/P/F	Description
1	753-06260	1	/P	Shaft Assembly, Lift Replaces 683-04079
2	711-0332	2	S	Pin, Clevis, .50 Dia x .78 Lg
3	783-0720A	1	S	Bracket, Adjustment, Front Deck Rod
4	712-0130	2	/P	Nut, Nylon Lock, 3/8-16
5	712-0429	2	S	Nut, Nylon Lock, 5/16-18, Gr5
6	712-3083	2	/P	Nut, Hex Lock, 1/2-13, Gr8, Nylon
7	714-0104	2	S	Pin, Cotter, .072 Dia. x 1.13 Lg
8	714-0111	2	S	Pin, Cotter, 3/32, 1.0
9	714-04023	2	S	Pin, Click, .092 x 1.64 Lg
10	716-0106A	2		E-ring, .625 Dia. Shaft
11	720-0311	1		Grip, Handle
12	732-0874	1	/P	Spring, Torsion
18	738-0138A	2	/P	Screw, Hex Cap, 5/16-18x .620 Gr2
19	738-0143	2	/P	Shoulder Screw, 3/8-16
20	741-0225	2	S	Bearing, Hex Flange
22	746-0968	2		Cable, Lift, 16.16 Lg
23	747-04155	1		Handle, Lift
24	747-1130B	1	/P	Rod, Deck, Front Adjustment .5" Dia
25	756-1154	2		Pulley, Roller
26	783-0678A	2	S	Lift, Arm



LT1018 Tractor  
Mower Deck 42"

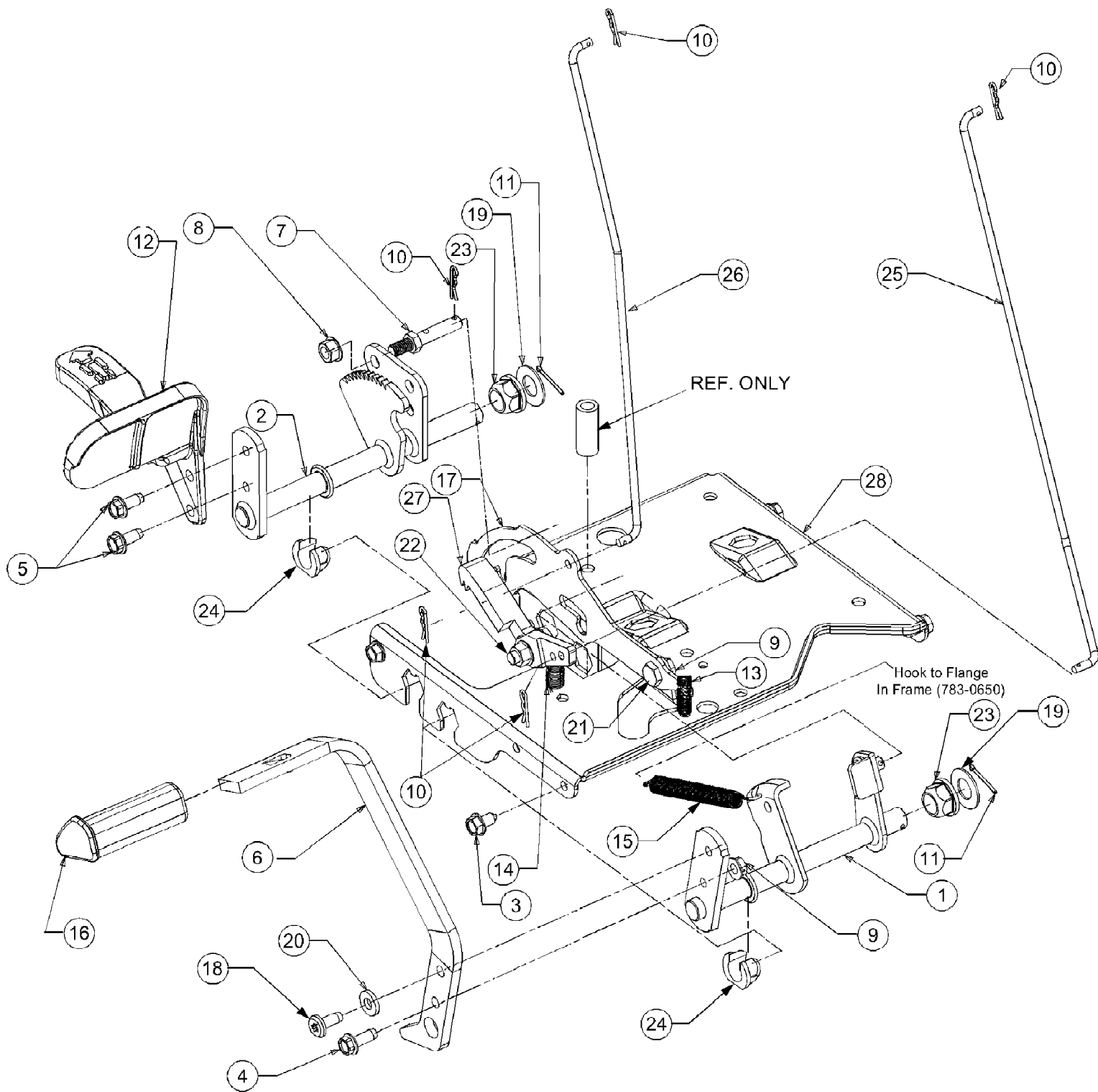
Page 62 of 71

Ref #	Part Number	Qty	S/P/F	Description
1	711-04069	1	S	Pin, Grasscatcher
2	683-0254	1	S	Bracket, Deck Hanger LH
3	683-0607B	1	S	Deck Weldment, 42 inch
4	734-04039	2	S	Wheel, Deck, 5.0 OD
6	710-0136	1	/P	Screw, Hex Cap, 1/4-20 x 1.75 GR5
7	710-0520	1	/P	Screw, Hex Cap, 3/8-16 x 1.5 GR5
8	710-0528	1	/P	Screw, 5/16-18, 1.25, Gr5
9	710-0726	4	/P	Screw, Self-tapping, 5/16-12 x .75
10	710-0751	3	/P	Screw, Hex Cap, 1/4-20, .620, Gr5
11	710-1238	1	/P	Screw, Hex, 5/16-18 x .875 Gr5
12	710-0650	8	/P	Screw, Self-tapping, 5/16-18 x .875
13	710-1336A	2	/P	Bolt, Spindle, 3/4-16 x 4.25
14	710-3151	1	/P	Screw, Hx. Cap, 5/8-18 x 4.25 GR5
16	712-0337	1		Nut, Hex, 5/8-18, GR5
17	712-0130	5	/P	Nut, Hx. Nylon Lock, 3/8-16
18	712-0429	1	S	Nut, Hx. Nylon Lock, 5/16-18
19	712-3006	3	/P	Nut, Hex, 1/4-20, Gr5
20	712-0324	2	/P	Nut, Hx. Nylon Lock, 1/4-20
21	712-3078	2	/P	Nut, Hx. Flange, 3/4-16
23	714-0470	2	S	Pin, Cotter, 1/8 x 1.25
25	716-3020	1	S	Ring, Internal Retaining,
26	717-1553B	1	S	Adjustment Gear, Deck
27	726-0233	2	/P	Nut, Push, .25 ID x .50 OD
28	731-1032B	1	S	Chute Assembly, Side Discharge - Includes the following parts:
	703-1693A	1	/P	Bracket, Mounting
	711-0792	1	S	Pin, Hinge
	726-0106	1	S	Cap, Push
	732-0602A	1	/P	Spring, Torsion
30	731-2486A	2	/P	Cover, Belt, Deck
32	732-0306	2	S	Spring, Compression, .406 x .531 x
33	732-0470A	1	S	Spring, Extension .53 x 4.75
34	734-0973	2	/P	Wheel Deck 5.0 x 1.38
35	736-0119	1	S	Washer, Lock, 5/16, Regular Duty
36	736-0158	1	S	Washer, Lock, 5/8
37	736-0162	1	/P	Washer, Flat, .641 x 1.0 x .12
38	736-0270	3	/P	Washer, Belleville, .265 x .75 x .062
39	736-0343	8	/P	Washer, Flat, .330 x 1.25 x .12
40	737-3000	2	S	Fitting, 3/16 Drive Lube
41	738-0373	2	S	Shoulder Screw
42	738-3056	2	S	Shoulder Screw - 1/2 Dia x 2.50 Lg.
43	741-0524	2	S	Bearing, Ball, .625 x 1.57 x .47
44	747-1116	2	/P	Rod, Handle, Deck Release .375 Dia
45	748-0331	1	S	Spacer, Shoulder, .625 x .324
46	748-3065	4	S	Spacer, Deck Spindle
47	750-0932A	1	S	Spacer, .635 x .88 x 1.72
48	750-3190A	2	/P	Bearing Spacer
49	754-0498	1	S	Belt, V-Type
50	756-0627B	1	S	Pulley, Idler, 3.50 Dia.
51	756-1202	1		Pulley, Double, 5.0 x 5.0
52	756-3106	2		Pulley, Spindle
53	759-3830	2		Blade, 21.20 Lg, 3-in-1

LT1018 Tractor  
Mower Deck 42"

Page 63 of 71

Ref #	Part Number	Qty	S/P/F	Description
54	721-3018A	4	S	Oil Seal
55	783-1291	1	S	Bracket, Idler
56	783-04013A	1		Bracket, Pulley Stabilizer
57	618-3129B	2	S	Spindle Housing
58	741-04089	4	S	Cone Bearing
59	741-04091	4	S	Bearing Cup
	618-3129B	1	S	Spindle Housing includes:
	741-04089	2	S	Cone Bearing (Ref. 58)
	741-04091	2	S	Bearing Cup (Ref. 59)
	721-3018A	2	S	Oil Seal (Ref. 54)
	750-3190A	1	/P	Bearing Spacer (Ref. 48)

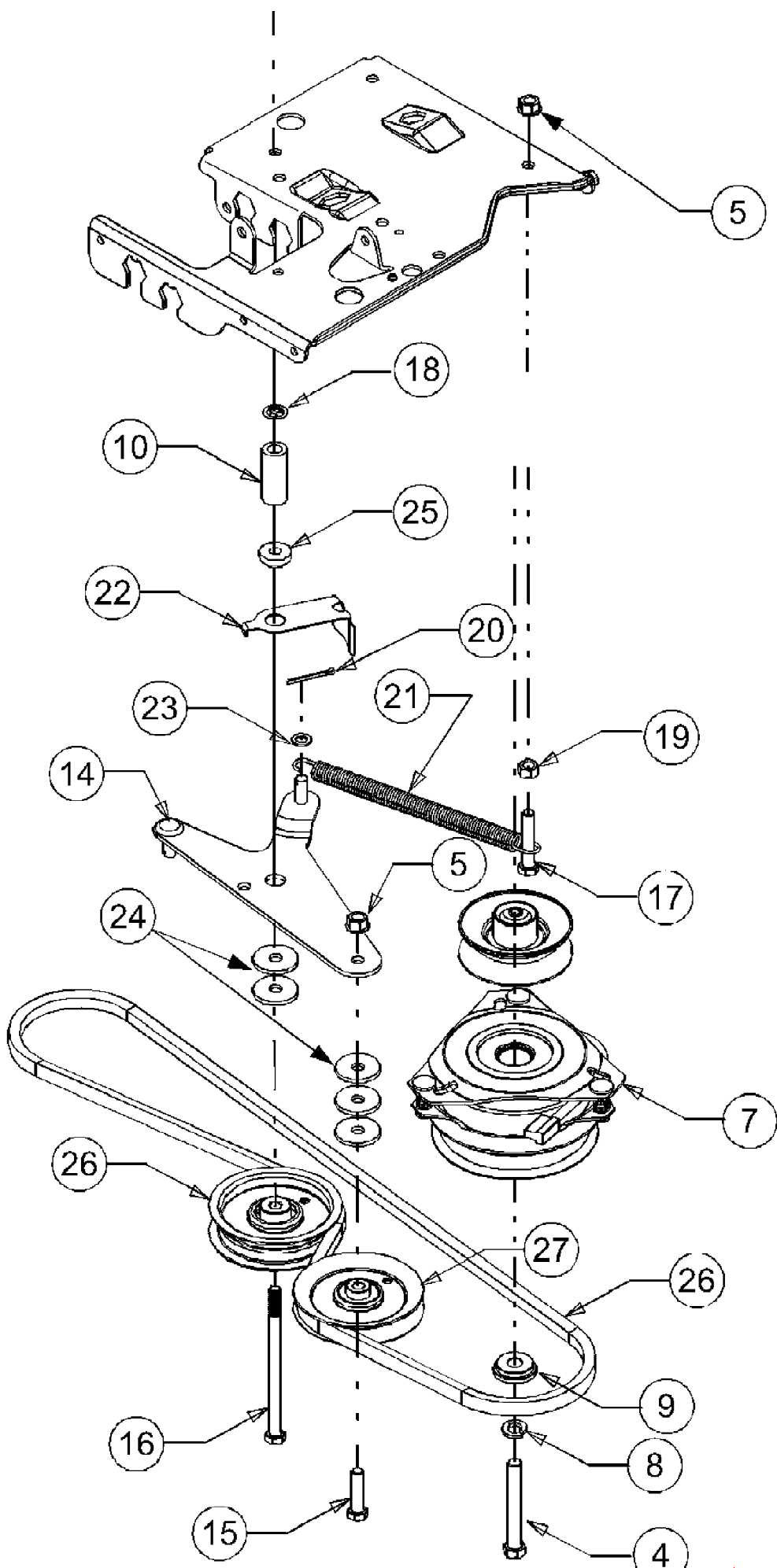




LT1018 Tractor  
Pedal Assembly

Page 65 of 71

Ref #	Part Number	Qty	S/P/F	Description
1	647-0031B	1	S	Control Assembly, Brake
2	647-0049A	1	S	Control Assembly, Hydro
3	710-0726	4	/P	Screw, Self-tapping, 5/16-12, 0.75
4	710-0650	1	/P	Screw, Self-tapping, 5/16-18, 0.875
5	710-1260A	2	/P	Screw, 5/16-18, 0.750
6	783-0773A	1		Pedal, Brake
7	711-1363	1		Pin, 3/8-16, 3/8 x 2.43 Lg
8	712-0130	2	/P	Nut, Nylon Lock, 3/8-16
9	712-0429	2	S	Nut, Nylon Lock, 5/16-18, Gr5
10	714-0104	5	S	Pin, Cotter, .072 Dia. x 1.13 Lg
11	714-0111	2	S	Pin, Cotter, 3/32, 1.0
12	719-0584A	1	S	Pedal, Hydro Control
13	732-0335	1		Spring, Compression, .405 x 1.17
14	732-0955	1		Spring, Extension, .50 OD x 1.41 Lg
15	732-0963	1		Spring, Extension, .50 Dia x 6.37 Lg
16	735-3049	1	S	Pad, Brake, Control
17	783-0663C	1	S	Bracket, Lockout, Hydro
18	710-1611B	1	/P	Screw, Torx Hd. Tapp. 5/16-18 x .75
19	736-0187	2	/P	Washer, Flat .64 ID x 1.24 x .06
20	736-3008	1	S	Washer, Flat, .344 x .750 x .120
21	738-0155	1	S	Shoulder, Screw .437 x 1.62 Lg
22	738-0507B	1	S	Screw, Shoulder, .500 Dia x .434
23	741-0225	2	S	Bearing, Hex Flange
24	741-3065B	2	/P	Bearing, Hex Flange, .628 ID, Split
25	747-04096	1		Rod, Control, Cruise
26	747-04093	1		Rod, Control, Brake Lock
27	748-04039B	1	/P	Latch, Cruise
28	783-0653F	1	S	Bracket, Support, Stearing



LT1018 Tractor  
Power Take-Off (PTO) System

Page 67 of 71

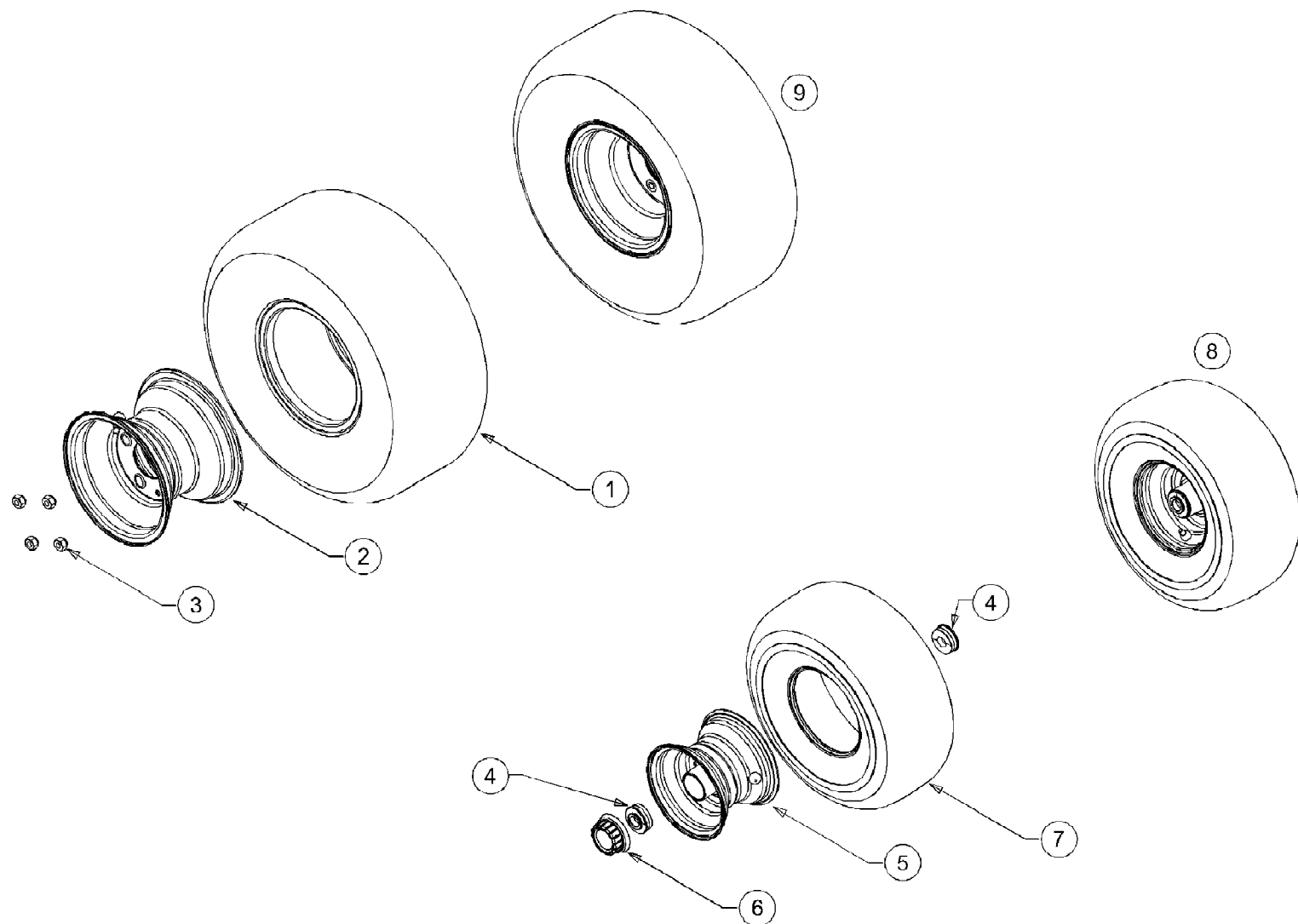
Ref #	Part Number	Qty	S/P/F	Description
4	710-3157	1	S	Screw, Hex Cap, 7/16-20 x 3.25 GR5
5	712-0130	2	/P	Nut, Nylon Lock, 3/8-16
7	717-1708	1	S	Clutch, Electric PTO (Model 1018)
8	736-0171	1	S	Washer, Lock, 7/16, Regular Duty
9	738-0785	1	S	Spacer, Shoulder, 1.38 x .445 x .36
10	748-0415A	1	S	Spacer, 3/8 x 1.54
14	683-0450	1	/P	Plate Assembly, Engagement
15	710-0347	1	/P	Screw, 3/8-16, 1.75
16	710-0831	1		Screw, 3/8-16, 5.5
17	710-3144	1	/P	Screw, 3/8-16, 2.0
18	712-0229	1		Push Nut, 3/8
19	712-3017	1	S	Nut, 3/8-16
20	714-0470	1	S	Cotter Pin, 1/8 x 1.25
21	732-0384	1	S	Spring, Extension .62 x 6.12
22	732-0991A	1	/P	Belt Guard
23	736-0140	1	S	Washer, Flat .385 x .62 x .063
24	736-3039	2	S	Washer, Flat .406 x 1.5 x .11 Ga
25	738-0372B	1	/P	Shoulder Spacer, .380
26	756-0627B	1	S	Pulley, Idler, 3.5
	754-0497	1	S	PTO Belt
27	756-1208	1		Pulley, Idler, 4.0
	756-0978A	1	S	Pulley, Engine (not shown)



LT1018 Tractor  
Steering

Page 69 of 71

Ref #	Part Number	Qty	S/P/F	Description
1	710-0514	2	/P	Hex Cap Screw, 3/8-16, 1.00, Gr5, Std
2	711-1408	1		Link, Drag, RH
3	711-1409A	1	/P	Link, Drag, LH
4	710-1260A	1	/P	Self-tapping Screw, 5/16-18 x .75
5	712-0240	2	S	Nut, Jam, 7/16-20, Gr2
6	712-0241	2	/P	Nut, Hex, 3/8-24, Gr5
7	712-0130	4	/P	Nut, Nylon Lock, 3/8-16
8	712-0459	1	/P	Nut, Flange Lock, 7/16-20
9	712-0429	2	S	Nut, Nylon Lock, 5/16-18
10	717-1550E	1	S	Gear, Steering, 11/90 Ratio
11	717-1554	1		Gear, Pinion, Steering
12	723-0610	2		Ball Joint, 7/16-20
13	736-0169	2	S	Washer, Lock, 3/8, Regular Duty
14	736-3004	1	S	Washer, Flat, .406 x .875 x .105
15	736-3084	1	/P	Washer, Flat, .510 x 1.120 x .060
16	737-3007	1		Grease, Alvania Ep 2
17	738-0372B	2	/P	Spacer, Shoulder, 1.00 x .38 x .38
18	759-04186	1	/P	Shaft, Steering, .625 OD x 25.00 Lg
19	741-0475	2	S	Bushing, Plastic, .380 ID
20	741-0656	1	S	Bearing, Hex Flange, 5/8
21	683-04101	1	S	Axle Assembly, LH .750 Dia
22	683-04102	1	S	Axle Assembly, RH .750 Dia
23	712-0417A	2	/P	Nut, Hex, Flange, 5/8-18
24	714-0162	2	/P	Pin, Cot, 5/32, 1.25
25	719-0525C	1	S	Axle, Pivot, Cast .750 Dia
26	736-0866	2		Washer, Flat, .755 x 1.92 x .060
27	738-1011	2	S	Spacer, Shoulder, .500 x 2.230, 3/8-16
28	631-04008	1	S	Wheel, Steering, Three Spoke
29	731-04532	1	S	Cover, Steering Wheel



Ref #	Part Number	Qty	S/P/F	Description
1	734-3189	2	/P	Tire, Turf, Cub Cadet 20 x 9 x 8
2	634-0246A	2	S	Rim Assembly, 8.0 x 6.19 (4-Lug)
3	712-3050	8	/P	Lug Nut, 7/16-14
4	741-3032	4	S	Bearing, Ball, .75 ID x 1.75 OD
5	634-04104	2	S	Rim Assembly, 6 x 4.5 (Included, Bearings, Spacer and Valve)
6	731-3020	2	S	Hub Cap
7	734-3186	2	S	Tire, Turf, Cub Cadet 15 x 6 x 6
8	634-04094	2		Wheel Assembly, Cub Cadet 15 x 6 x 6 (Includes Rim Ass'y, Tire and Fitting)
9	634-0245A	2		Wheel Assembly, Cub Cadet 20 x 9 x 8 (Includes Rim Ass'y, Tire and Valve)
	737-0224	2		Grease Fitting
	734-0255	4	S	Valve, Tubeless Air