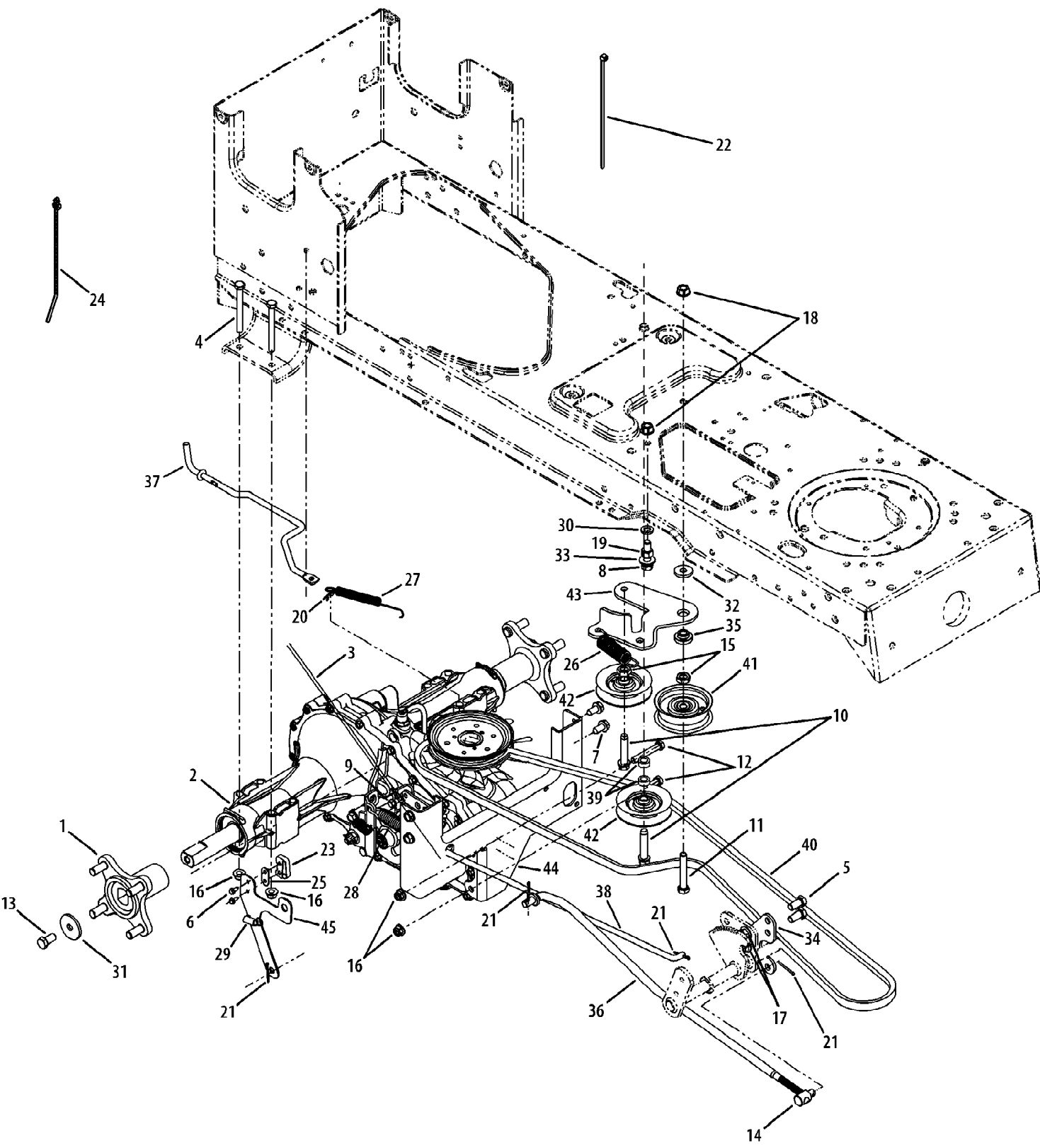


GT1554VT Tractor
Dash Assembly

Page 2 of 70

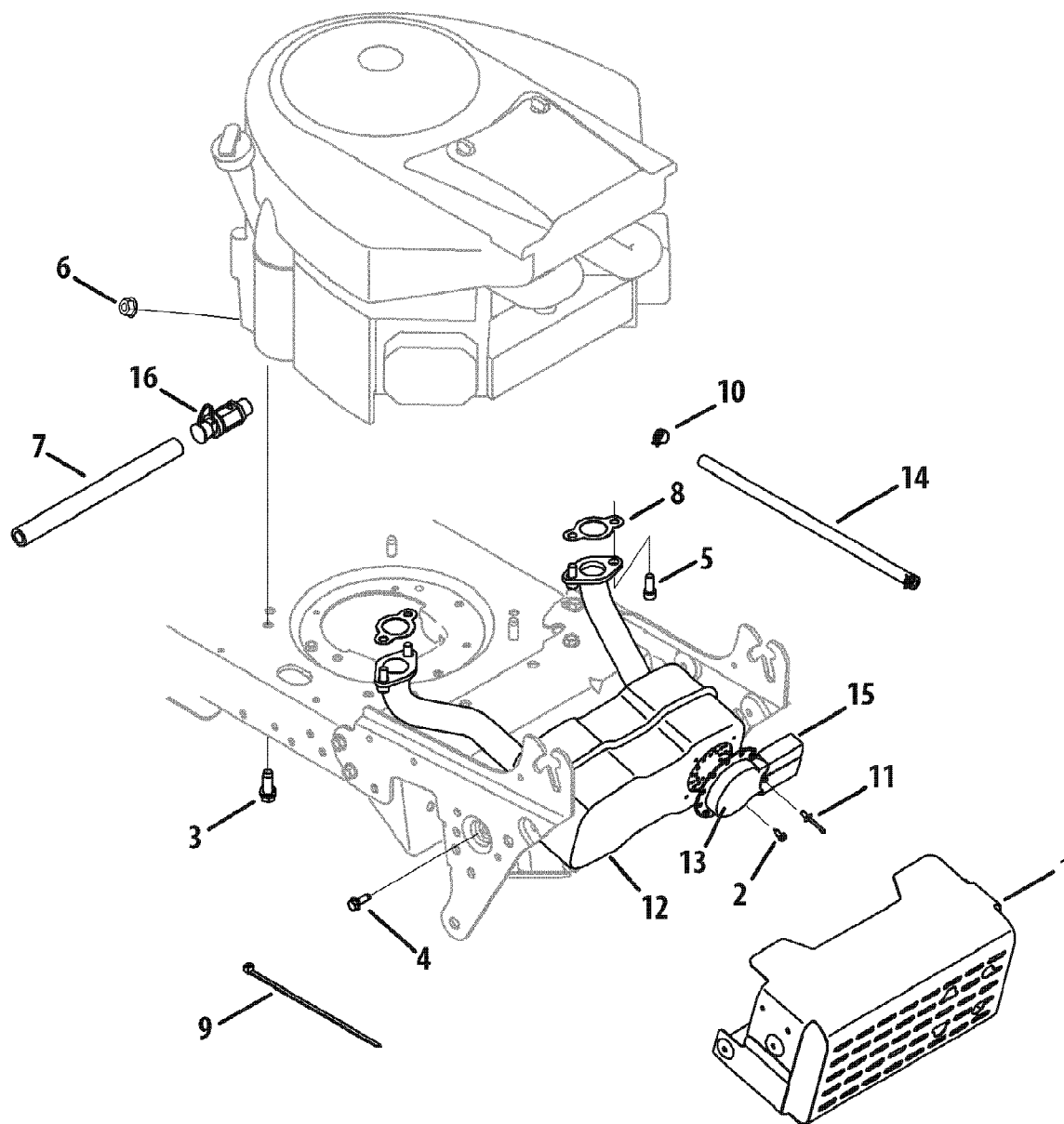
Ref #	Part Number	Qty	S/P/F	Description
1	683-04099-0637	1		Frame Assembly, Lower
2	710-0192	1	/P	Screw, Machine, #10-24 x .375
3	710-0599	1	/P	Screw, Hex Washer, 1/4-20 x .500
4	710-0607	1	/P	5/16-18 x .500
5	710-0653	1	/P	Screw, Hex Washer, 1/4-20 x .375
6	710-0895	1		Screw, Hex Washer, 1/4-15 x .750
7	710-1611B	1	/P	Screw, 5/16-18 x .750
8	710-3217	1	/P	Screw, Machine, #8-32 x .375
9	712-0142	1	/P	Nut, Hex, #8-32
10	914-0104	1	/P	Pin, Cotter, .072 x 1.13
11	731-04293A	1	/P	Lever, Brake
12	731-04294A	1		Lever, Cruise
13	731-05659	1		Bushing, Shift
14	931-06553	1	/P	Dash, Cub
15	931-3161A	1	/P	Knob, Throttle
16	746-0616A	1	S	Choke Control
17	746-1087	1	S	Cable, Throttle
18	747-1323A	1		Rod, .250 x 4.55
19	783-04285F-0637	1	/P	Support, Dash, RH
20	783-04323F-0637	1	/P	Support, Dash, LH
21	783-05453A-0637	1		Bracket, Dash Support
22	783-1499-0637	1	/P	Bracket
23	925-04227B	1	/P	Switch, Key Module
24	725-04258	1	/P	Switch, PTO
25	925-04022B	1	/P	Meter, Hour Indicator
26	925-1745A	1	/P	Key
	751-0658E	1	/P	Tank, Fuel Not Shown
	751-0603A	1	/P	Cap, Fuel Not Shown
	710-04484	1		Screw, Hex Washer, 5/16-18 x .750 Not Shown
	725-04862	1		Wire Harness Not Shown



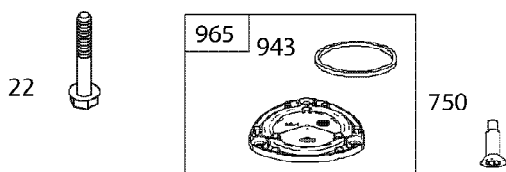
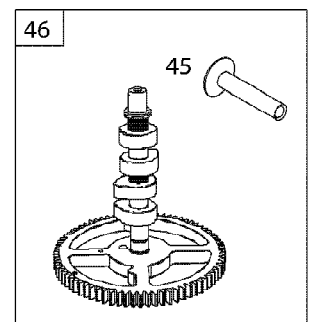
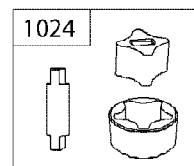
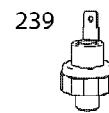
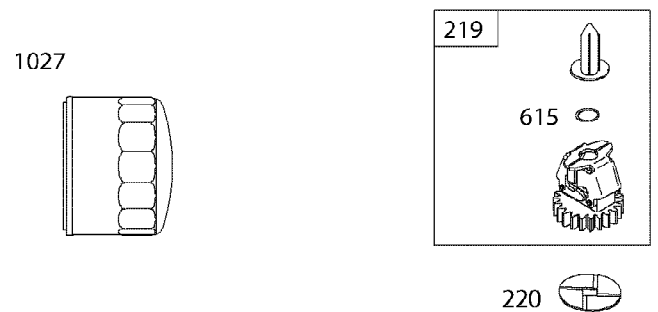
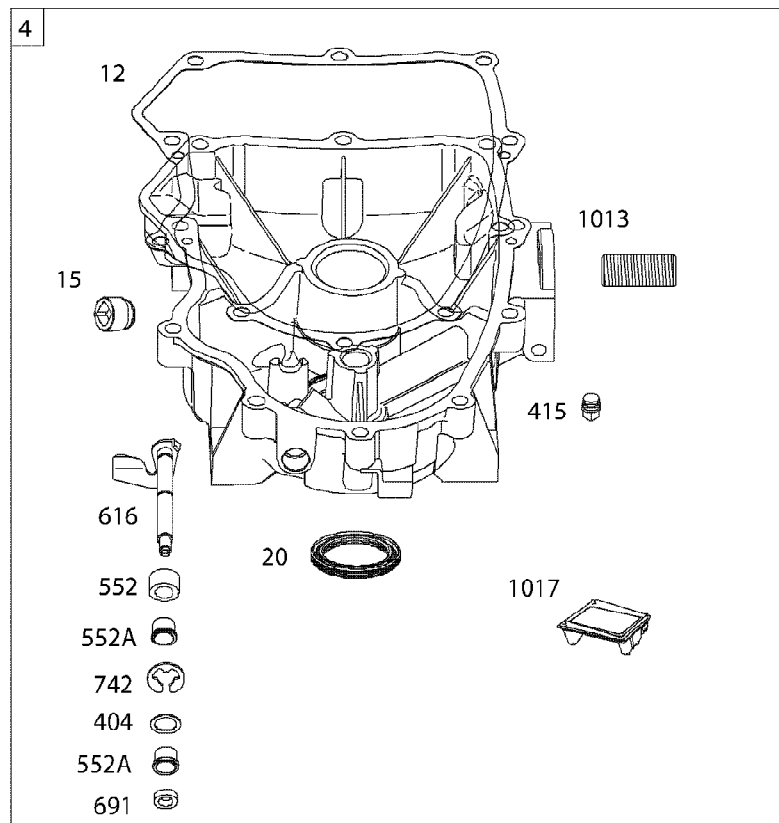
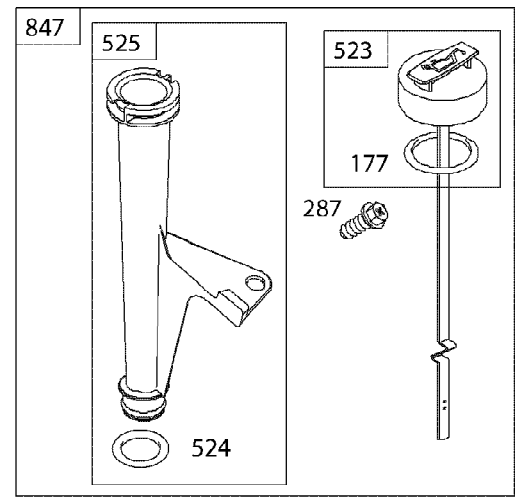
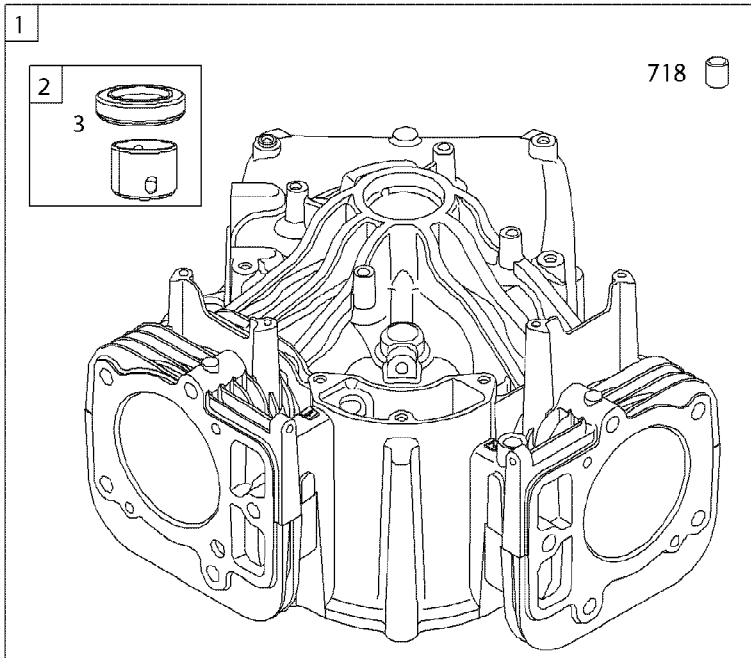
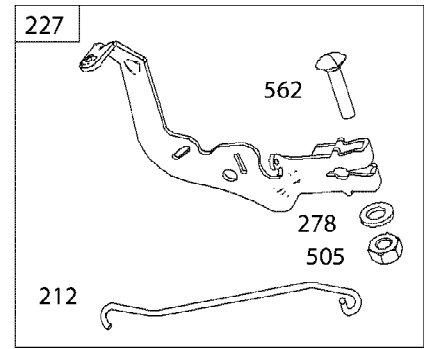
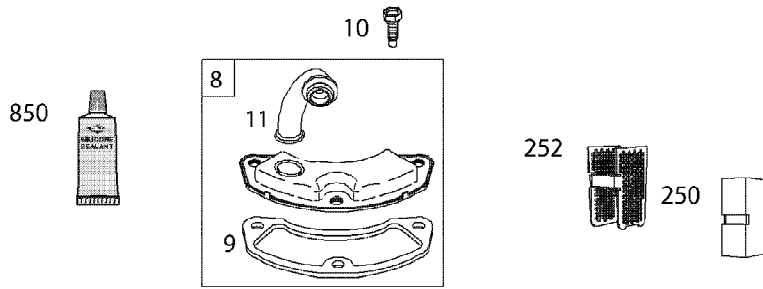
GT1554VT Tractor
Drive System

Page 4 of 70

Ref #	Part Number	Qty	S/P/F	Description
1	918-04317	1	/P	Hub Assembly
2	918-04468	1	/P	Transmission, Hydrostatic
3	629-0949B	1		Wire Harness, Reverse
4	710-0189	1	/P	Screw, Hex Cap, 5/16-18 x 3.00 Gr5
5	710-0216	1	/P	Screw, Hex Cap, 3/8-16 x .75 Gr5
6	710-0227	1	/P	Screw, Hex Wash Hd Tapp, #8-18 x .5
7	710-04484	1		Screw, Hex Cap, 5/16-18 x .750
8	710-0520	1	/P	Screw, Hex Cap, 3/8-16 x 1.50 Gr5
9	710-0599	1	/P	Screw, Self-Tapp, 1/4-20 x .5
10	710-1008	1		Sems Screw, 3/8-16 x 1.875
11	710-3011	1	/P	Hex Cap Screw, 3/8-16 x 2.25, Gr5
12	710-3103	1	/P	Screw, Hex Cap, 5/16-18 x 2.00
13	710-3119	1	/P	Screw, Hex Cap Lock, 3/8-16 x .75
14	911-0832	1	/P	Ferrule, 3/8-24 x .375 Dia
15	912-0240	1	/P	Jam Nut, 7/16-20
16	712-04063	1	/P	Nut, Flange Insert Lock, 5/16-18 Gr5
17	712-04065	1	/P	Nut, Flange Insert Lock, 3/8-16 GrF
18	912-0431	1	/P	Nut, Flange Insert Lock, 3/8-16 GrF
19	912-3017	1	/P	Nut, Hex, 3/8-16, GR5
20	914-0104	1	/P	Pin, Cotter, .072 Dia. x 1.13
21	914-0111	1	/P	Pin, Cotter, 3/32, 1.0
22	725-0157	1	/P	Cable, Tie, 3/16 x .05 x 7.4
23	725-1644	1		Switch, Spring, Short
24	926-0154	1	/P	Tie, Cable, Push Mount 7.5
25	926-0320	1	/P	Plate, Insulator Nut
26	732-04323B	1	/P	Spring, Extension, .77 Dia x 3.7 Lg
27	732-04528	1		Spring, Extension, .50 OD x 5.00 Lg
28	732-0716D	1	/P	Spring, Extension, .59 OD x 4.00 Lg
29	732-3118	1		Spring, Extension, 3/8 OD x 1.44 Lg
30	936-0169	1	/P	Washer, Lock, 3/8 , Regular Duty
31	936-0227	1	/P	Washer, Flat, .390 x 1.50 x .134
32	736-0258	1	/P	Washer, Flat, .385 x 1.0 x .135
33	936-0300	1	/P	Washer, Flat, .406 x .875 x .059
34	783-0745-0637	1	/P	Bracket, Speed Control
35	738-0372B	1	/P	Spacer, Shoulder, 1.00 x .38 x .38
36	747-04666	1		Rod, Hydro Control
37	747-04838A	1		Rod, Hydro Disengage
38	747-04873	1		Rod, Brake
39	750-04776	1		Spacer, .380 x .625 x .265
40	954-0461	1	/P	Belt, V-Type
41	756-04224	1	/P	Pulley, Idler, Flat 2.75 OD
42	756-04325	1	/P	Pulley, Idler, Flat 3.06 OD
43	783-04442-0637	1		Bracket, Idler
44	783-05443-0637	1		Bracket, Torque
45	783-05841	1		Bracket, Actuator



Ref #	Part Number	Qty	S/P/F	Description
1	683-04549-0637	1	/P	Muffler Assembly Shield
2	710-0227	1	/P	AB Screw #8-18 x 0.5
3	710-04683	1		TT Screw 3/8-16 x 1.00
4	710-0642	1	/P	TT Screw 1/4-20 x 0.750
5	710-1314A	1	/P	Screw, 5/16-18 x .750
6	712-0271	1	/P	Sems Nut, 1/4-20
7	751-3141-14	1	/P	Oil Drain Extension Hose
8	721-0460	1		Exhaust Gasket
9	725-0157	1	/P	Cable Tie
10	726-0205	1	/P	Hose Clamp
11	728-04000	1		Pop Rivets, .188 x .300
12	751-10542	1		Twin Inlet Muffler
13	751-0564B	1	/P	Muffler Deflector
14	751-10349-28	1	/P	Fuel Line Hose
15	751-10353	1		Long Muffler Deflector
16	951-10517A	1	/P	Oil Drain Valve



Ref #	Part Number	Qty	S/P/F	Description
1	BS-793564	1		Cylinder Assembly
2	BS-499585	1		Kit-Bushing/Seal (Magneto Side)
3	BS-391086S	1	/P	Seal-Oil (Magneto Side)
4	BS-796230	1	S	Sump-Engine
5	BS-796270	1		Head-Cylinder (Cylinder #1)
5A	BS-796271	1		Head-Cylinder (Cylinder #2)
7	BS-693997	1	/P	Gasket-Cylinder Head
8	BS-792185	1	/P	Breather Assembly
9	BS-690937	1		Gasket-Breather
10	BS-697551	1		Screw (Breather Assembly)
11	BS-792184	1	/P	Tube-Breather
12	BS-697227	1	/P	Gasket-Crankcase
13	BS-793988	1		Screw (Cylinder Head)
15	BS-690946	1	/P	Plug-Oil Drain
16	BS-796540	1		Crankshaft
20	BS-795387	1	/P	Seal-Oil (PTO Side)
22	BS-694966	1	/P	Screw (Crankcase Cover/Sump)
23	BS-691053	1		Flywheel
24	BS-222698S	1	/P	Key-Flywheel
25	BS-793560	1		Piston Assembly (Standard)
25	BS-793563	1		Piston Assembly (.020" Oversize)
26	BS-793561	1		Ring Set (Standard)
26	BS-792073	1		Ring Set (.020" Oversize)
27	BS-690975	1		Lock-Piston Pin
28	BS-696581	1		Pin-Piston
29	BS-796209	1	/P	Rod-Connecting
32	BS-690976	1		Screw (Connecting Rod)
33	BS-793557	1		Valve-Exhaust
34	BS-793556	1		Valve-Intake
35	BS-694865	1		Spring-Valve (Intake)
36	BS-694865	1		Spring-Valve (Exhaust)
40	BS-690964	1	S	Retainer-Valve
42	BS-499586	1	/P	Keeper-Valve
45	BS-690977	1	/P	Tappet-Valve
46	BS-792555	1		Gear-Cam
50	BS-695241	1	/P	Manifold-Intake
51	BS-795123	1		Gasket-Intake
51A	BS-690950	1		Gasket-Intake
53	BS-690951	1		Stud (Carburetor)
54	BS-699816	1		Screw (Intake Manifold)
73	BS-494439S	1	/P	Screen-Rotating
74	BS-698425	1		Screw (Rotating Screen)
75	BS-691056	1		Washer (Flywheel)
95	BS-690718	1		Screw (Throttle Valve)
98	BS-699721	1		Kit-Idle Speed
104	BS-694918	1		Pin-Float Hinge
105	BS-698537	1		Valve-Float Needle
108	BS-699723	1		Valve-Choke
117	BS-792296	1		Jet-Main (Standard) (Left Jet)
117A	BS-842627	1		Jet-Main (Standard) (Right Jet)
118	BS-699457	1		Jet-Main (High Altitude) (Left Jet)
118A	BS-699733	1		Jet-Main (High Altitude) (Right Jet)
121	BS-792455	1	S	Kit-Carburetor Overhaul

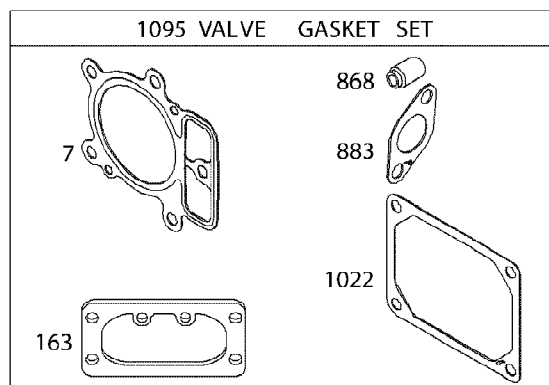
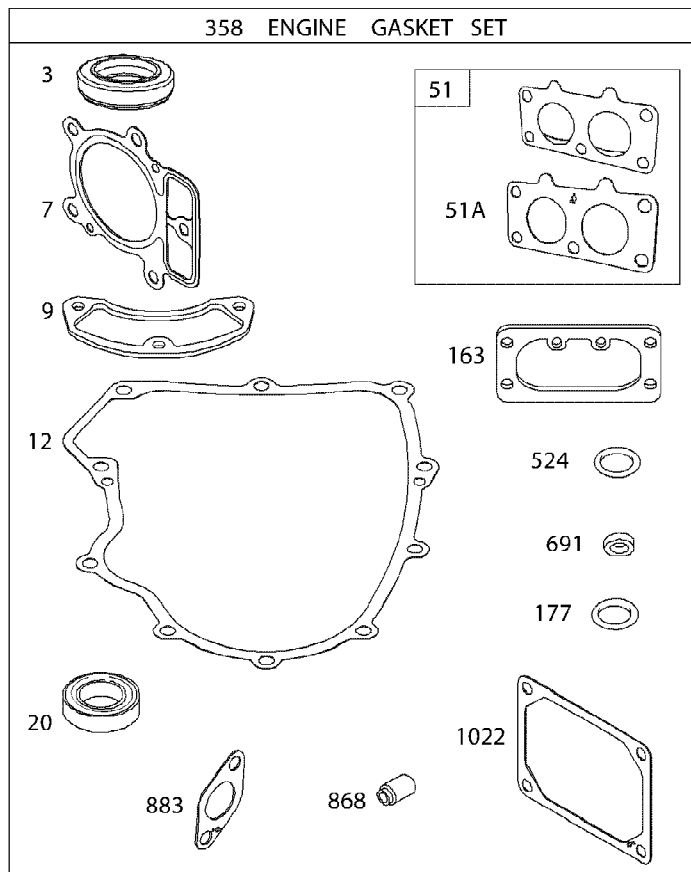
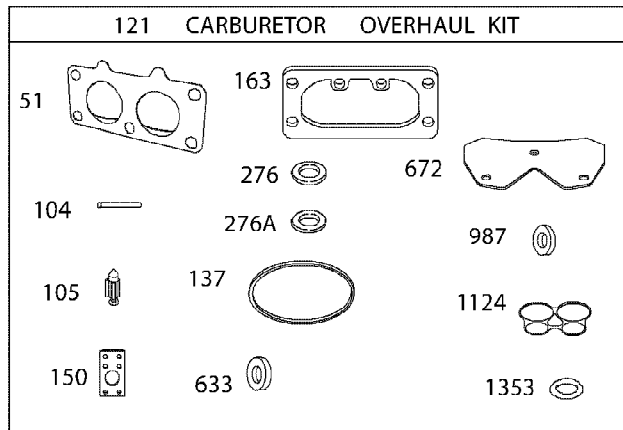
Ref #	Part Number	Qty	S/P/F	Description
125	BS-796227	1		Carburetor (Primer System)
130	BS-690993	1		Valve-Throttle
131	BS-499805	1		Kit-Throttle Shaft
133	BS-699724	1		Float-Carburetor
135	BS-699729	1		Tube-Fuel Transfer
137	BS-690994	1		Gasket-Float Bowl
141	BS-796228	1		Kit-Choke Shaft
142	BS-699726	1		Nozzle-Carburetor
146	BS-690979	1	/P	Key-Timing
150	BS-690995	1		Gasket-Nozzle
163	BS-691001	1		Gasket-Air Cleaner
177	BS-691031	1	/P	Seal-O Ring (Dipstick)
186	BS-795985	1		Connector-Hose (Intake Manifold)
187	BS-791766	1	S	Line-Fuel (Cut to Required Length)
188	BS-697551	1		Screw (Control Bracket)
192	BS-690083	1		Adjuster-Rocker Arm
197	BS-697820	1		Screw (Back Plate)
209	BS-796224	1		Spring-Governor (Yellow/Black)
211	BS-796225	1		Spring-Governed Idle
212	BS-695238	1		Link-Throttle
216	BS-796229	1		Link-Choke
217	BS-695409	1		Spring-Choke Return
219	BS-793338	1	/P	Gear-Governor
220	BS-690412	1	/P	Washer (Governor Gear)
221	BS-841026	1		Cup-Governor
222	BS-796226	1		Bracket-Control
227	BS-796223	1		Lever-Governor Control
239	BS-792028	1		Switch-Oil Pressure
240	BS-695666	1	S	Filter-Fuel
250	BS-690957	1		Retainer-Breather
252	BS-794389	1		Collector-Oil
265	BS-691024	1	/P	Clamp-Casing
267	BS-695134	1		Screw (Casing Clamp)
276	BS-695410	1		Washer-Sealing
278	BS-792651	1		Washer (Governor Control Lever)
287	BS-691108	1	/P	Screw (Dipstick Tube)
304	BS-796678	1	S	Housing-Blower
305	BS-691005	1		Screw (Blower Housing)
305A	BS-790690	1		Screw (Blower Housing to Intake Elbow)
306	BS-796541	1		Shield-Cylinder (Cylinder #2)
307	BS-691003	1	/P	Screw (Cylinder Shield) (Short)
307A	BS-697551	1		Screw (Cylinder Shield) (Long)
309	BS-497595	1	/P	Motor-Starter
310	BS-690323	1		Screw (Starter Motor)
311	BS-497608	1	/P	Brush Set
332	BS-691059	1		Nut (Flywheel)
333	BS-691060	1	/P	Armature-Magneto
334	BS-691061	1		Screw (Magneto Armature)
337	BS-491055	1	S	Plug-Spark
358	BS-694012	1	/P	Gasket Set-Engine
385	BS-697551	1		Screw (Fuel Pump)
387	BS-808656	1	/P	Pump-Fuel
404	BS-690442	1		Washer (Governor Crank)

Ref #	Part Number	Qty	S/P/F	Description
415	BS-690283	1		Plug (Oil Pressure Switch Hole)
418	BS-795912	1		Plate-Carburetor
431	BS-792297	1		Elbow-Intake
445	BS-792105	1	/P	Filter-Air Cleaner Cartridge
447	BS-691003	1	/P	Screw (Air Guide Cover) (Short)
447A	BS-697551	1		Screw (Air Guide Cover) (Long)
467	BS-790697	1		Knob-Air Cleaner
474	BS-696457	1	/P	Alternator
501	BS-691188	1	S	Regulator
505	BS-691029	1		Nut (Governor Control Lever)
510	BS-696541	1	/P	Drive-Starter
513	BS-692024	1	/P	Clutch-Drive
523	BS-691036	1		Dipstick
524	BS-691032	1		Seal-Dipstick Tube
525	BS-691037	1		Tube-Dipstick
526	BS-691129	1	/P	Screw (Regulator)
544	N/A	1		Armature-Starter (Service with Starter Motor BS-497595, Ref No. 309)
552	BS-690552	1		Bushing-Governor Crank
552A	BS-690553	1		Bushing-Governor Crank
562	BS-690311	1		Screw (Governor Control Lever)
573	BS-790444	1		Plate-Back
579	BS-691029	1		Nut (Starter Cable)
601	BS-791850	1	/P	Clamp-Hose (Green)
601A	BS-691038	1		Clamp-Hose (Black)
615	BS-698290	1	/P	Retainer-Governor Shaft
616	BS-691045	1		Crank-Governor
617	BS-697891	1		Seal-O Ring (Intake Manifold) (Red)
628	BS-697551	1		Screw (Fuel Pump Bracket)
633	BS-699813	1		Seal-Choke/Throttle Shaft (Choke Shaft)
635	BS-66538S	1	/P	Boot-Spark Plug
654	BS-690958	1	/P	Nut (Carburetor)
668	BS-691215	1		Spacer (Rotating Screen)
668A	BS-691500	1	/P	Spacer (Rotating Screen)
672	BS-690234	1		Gasket-Carburetor Plate
691	BS-790574	1		Seal-Governor Shaft
697	BS-690372	1	S	Screw (Drive Cap)
703	BS-691010	1		Clip
718	BS-690959	1	/P	Pin-Locating
729	BS-694123	1		Clip-Wire
741	BS-690980	1		Gear-Timing
742	BS-690328	1	/P	Retainer-E Ring (Governor Crank)
750	BS-796208	1		Screw (Oil Pump Cover)
783	BS-695708	1	/P	Gear-Pinion
788	BS-793145	1		Bracket-Fuel Pump
789	BS-696576	1		Harness-Wiring
789A	BS-698330	1		Harness-Wiring
797	BS-693167	1		Nut (Brush Retainer)
798	BS-697890	1		Screw (Rocker Arm)
801	BS-691283	1		Cap-Drive
802	BS-691286	1	/P	Cap-End

GT1554VT Tractor
Engine Assembly 1

Page 11 of 70

Ref #	Part Number	Qty	S/P/F	Description
803	N/A	1		Housing-Starter (Service with Starter Motor BS-497595, Ref No. 309)
847	BS-499602	1		Dipstick/Tube Assembly
850	N/A	1		Sealant-Liquid (Liquid Sealant is Interchangeable with Rocker Cover Gasket and Breather Gasket)
851	BS-493880S	1	/P	Terminal-Spark Plug
865	BS-691012	1		Cover-Air Guide (Cylinder #1)
865A	BS-792286	1		Cover-Air Guide (Valley)
868	BS-690968	1	/P	Seal-Valve
877	BS-790544	1		Wire/Connector-Alternator
883	BS-690970	1	/P	Gasket-Exhaust
914	BS-691127	1	/P	Screw (Rocker Cover)
918	BS-793147	1		Hose-Vacuum
943	BS-796222	1		Seal-O Ring (Oil Pump Cover)
947	BS-841546	1		Solenoid-Fuel
965	BS-796221	1		Cover-Oil Pump
968	BS-795120	1	/P	Cover-Air Cleaner
975	BS-793592	1		Bowl-Float
987	BS-691000	1		Seal-Throttle Shaft
1005	BS-791236	1		Fan-Flywheel
1013	BS-690954	1	/P	Nipple-Oil Filter
1017	BS-796124	1		Screen-Oil Pump
1022	BS-690971	1	/P	Gasket-Rocker Cover
1023	BS-793146	1		Cover-Rocker (Cylinder #1)
1023A	BS-499600	1		Cover-Rocker (Cylinder #2)
1024	BS-796220	1		Pump-Oil
1026	BS-690981	1	/P	Rod-Push (Steel)
1026A	BS-690982	1	/P	Rod-Push (Aluminum)
1027	BS-795890	1	S	Filter-Oil
1029	BS-690972	1		Arm-Rocker
1036	N/A	1		Label-Emissions (Available from Briggs & Stratton)
1040	BS-791237	1		Plate-Trim
1051	BS-691265	1	/P	Ring-Retaining (Starter Drive)
1054	BS-280275	1		Tie-Cable
1059	BS-698516	1		Kit-Screw/Washer (Alternator)
1070	BS-791680	1	/P	Screw (Flywheel Fan)
1090	BS-691293	1	/P	Retainer-Brush
1095	BS-694013	1	/P	Gasket Set-Valve
1100	BS-791959	1		Pivot-Rocker Arm
1119	BS-691183	1	S	Screw (Alternator)
1123	BS-841653	1		Seal-O Ring (Solenoid Retainer)
1124	BS-841653	1		Seal-O Ring (Fuel Transfer Tube)
1126	BS-690991	1		Screw (Fuel Transfer Tube)
1127	BS-695407	1		Screw (Fuel Bowl)
1128	BS-690990	1		Screw (Carburetor Nozzle)
1169	BS-690990	1		Screw (Carburetor Cover Plate)
	BS-44Q777-0037	1	S	Replacement Engine Not shown
	BS-698172	1	/P	Short Block Not shown

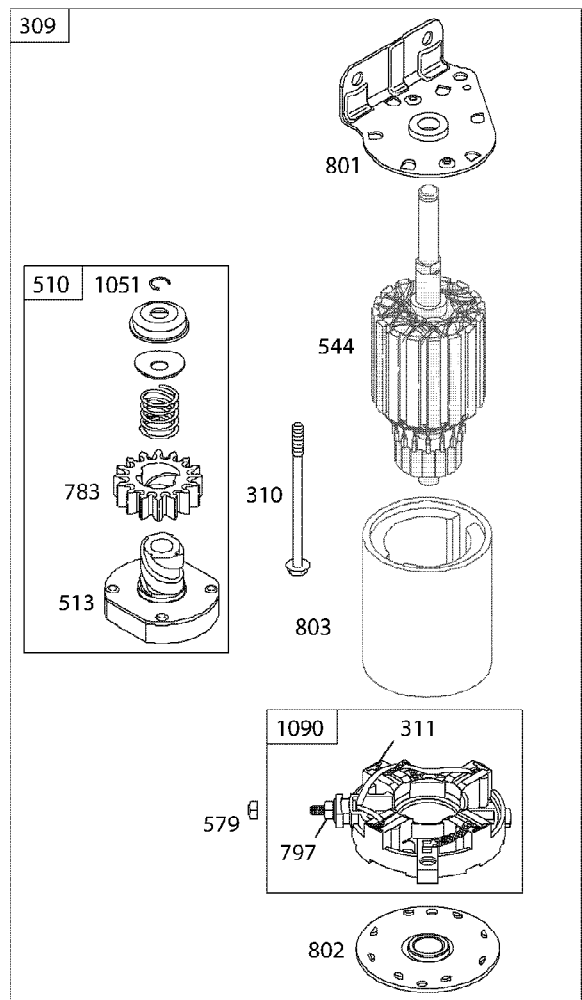
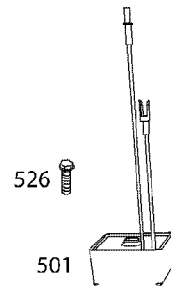
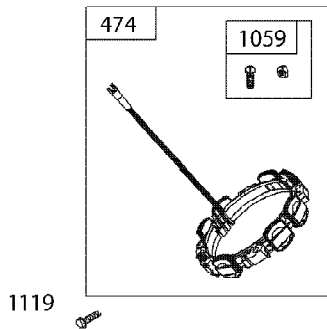
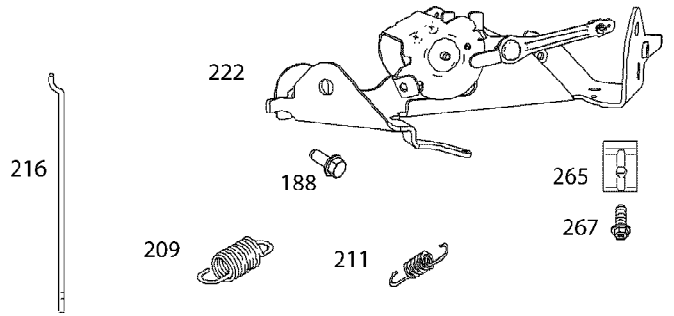
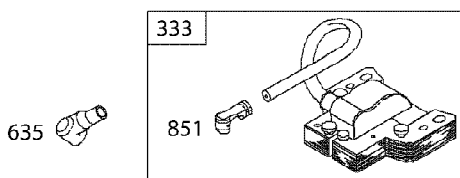
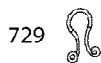
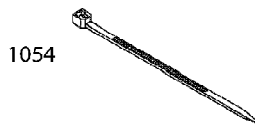
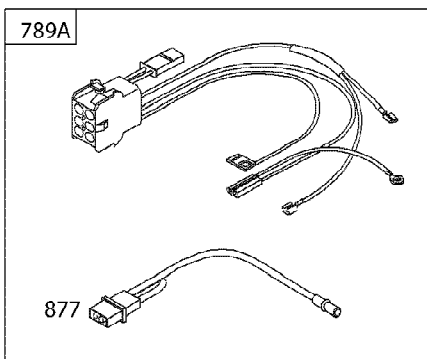
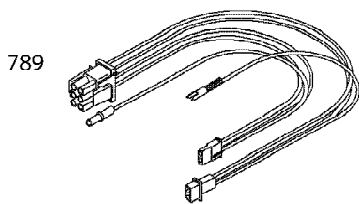
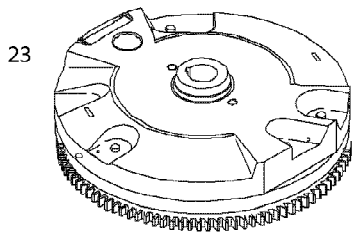
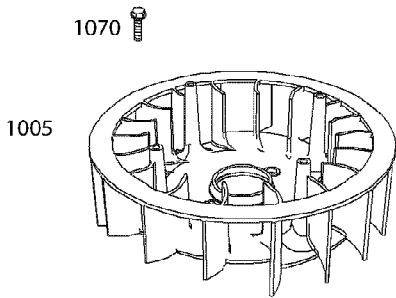
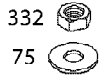
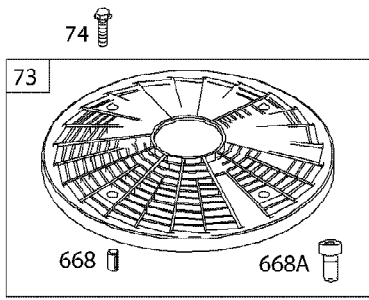


Ref #	Part Number	Qty	S/P/F	Description
1	BS-793564	1		Cylinder Assembly
2	BS-499585	1		Kit-Bushing/Seal (Magneto Side)
3	BS-391086S	1	/P	Seal-Oil (Magneto Side)
4	BS-796230	1	S	Sump-Engine
5	BS-796270	1		Head-Cylinder (Cylinder #1)
5A	BS-796271	1		Head-Cylinder (Cylinder #2)
7	BS-693997	1	/P	Gasket-Cylinder Head
8	BS-792185	1	/P	Breather Assembly
9	BS-690937	1		Gasket-Breather
10	BS-697551	1		Screw (Breather Assembly)
11	BS-792184	1	/P	Tube-Breather
12	BS-697227	1	/P	Gasket-Crankcase
13	BS-793988	1		Screw (Cylinder Head)
15	BS-690946	1	/P	Plug-Oil Drain
16	BS-796540	1		Crankshaft
20	BS-795387	1	/P	Seal-Oil (PTO Side)
22	BS-694966	1	/P	Screw (Crankcase Cover/Sump)
23	BS-691053	1		Flywheel
24	BS-222698S	1	/P	Key-Flywheel
25	BS-793560	1		Piston Assembly (Standard)
25	BS-793563	1		Piston Assembly (.020" Oversize)
26	BS-793561	1		Ring Set (Standard)
26	BS-792073	1		Ring Set (.020" Oversize)
27	BS-690975	1		Lock-Piston Pin
28	BS-696581	1		Pin-Piston
29	BS-796209	1	/P	Rod-Connecting
32	BS-690976	1		Screw (Connecting Rod)
33	BS-793557	1		Valve-Exhaust
34	BS-793556	1		Valve-Intake
35	BS-694865	1		Spring-Valve (Intake)
36	BS-694865	1		Spring-Valve (Exhaust)
40	BS-690964	1	S	Retainer-Valve
42	BS-499586	1	/P	Keeper-Valve
45	BS-690977	1	/P	Tappet-Valve
46	BS-792555	1		Gear-Cam
50	BS-695241	1	/P	Manifold-Intake
51	BS-795123	1		Gasket-Intake
51A	BS-690950	1		Gasket-Intake
53	BS-690951	1		Stud (Carburetor)
54	BS-699816	1		Screw (Intake Manifold)
73	BS-494439S	1	/P	Screen-Rotating
74	BS-698425	1		Screw (Rotating Screen)
75	BS-691056	1		Washer (Flywheel)
95	BS-690718	1		Screw (Throttle Valve)
98	BS-699721	1		Kit-Idle Speed
104	BS-694918	1		Pin-Float Hinge
105	BS-698537	1		Valve-Float Needle
108	BS-699723	1		Valve-Choke
117	BS-792296	1		Jet-Main (Standard) (Left Jet)
117A	BS-842627	1		Jet-Main (Standard) (Right Jet)
118	BS-699457	1		Jet-Main (High Altitude) (Left Jet)
118A	BS-699733	1		Jet-Main (High Altitude) (Right Jet)
121	BS-792455	1	S	Kit-Carburetor Overhaul

Ref #	Part Number	Qty	S/P/F	Description
125	BS-796227	1		Carburetor (Primer System)
130	BS-690993	1		Valve-Throttle
131	BS-499805	1		Kit-Throttle Shaft
133	BS-699724	1		Float-Carburetor
135	BS-699729	1		Tube-Fuel Transfer
137	BS-690994	1		Gasket-Float Bowl
141	BS-796228	1		Kit-Choke Shaft
142	BS-699726	1		Nozzle-Carburetor
146	BS-690979	1	/P	Key-Timing
150	BS-690995	1		Gasket-Nozzle
163	BS-691001	1		Gasket-Air Cleaner
177	BS-691031	1	/P	Seal-O Ring (Dipstick)
186	BS-795985	1		Connector-Hose (Intake Manifold)
187	BS-791766	1	S	Line-Fuel (Cut to Required Length)
188	BS-697551	1		Screw (Control Bracket)
192	BS-690083	1		Adjuster-Rocker Arm
197	BS-697820	1		Screw (Back Plate)
209	BS-796224	1		Spring-Governor (Yellow/Black)
211	BS-796225	1		Spring-Governed Idle
212	BS-695238	1		Link-Throttle
216	BS-796229	1		Link-Choke
217	BS-695409	1		Spring-Choke Return
219	BS-793338	1	/P	Gear-Governor
220	BS-690412	1	/P	Washer (Governor Gear)
221	BS-841026	1		Cup-Governor
222	BS-796226	1		Bracket-Control
227	BS-796223	1		Lever-Governor Control
239	BS-792028	1		Switch-Oil Pressure
240	BS-695666	1	S	Filter-Fuel
250	BS-690957	1		Retainer-Breather
252	BS-794389	1		Collector-Oil
265	BS-691024	1	/P	Clamp-Casing
267	BS-695134	1		Screw (Casing Clamp)
276	BS-695410	1		Washer-Sealing
278	BS-792651	1		Washer (Governor Control Lever)
287	BS-691108	1	/P	Screw (Dipstick Tube)
304	BS-796678	1	S	Housing-Blower
305	BS-691005	1		Screw (Blower Housing)
305A	BS-790690	1		Screw (Blower Housing to Intake Elbow)
306	BS-796541	1		Shield-Cylinder (Cylinder #2)
307	BS-691003	1	/P	Screw (Cylinder Shield) (Short)
307A	BS-697551	1		Screw (Cylinder Shield) (Long)
309	BS-497595	1	/P	Motor-Starter
310	BS-690323	1		Screw (Starter Motor)
311	BS-497608	1	/P	Brush Set
332	BS-691059	1		Nut (Flywheel)
333	BS-691060	1	/P	Armature-Magneto
334	BS-691061	1		Screw (Magneto Armature)
337	BS-491055	1	S	Plug-Spark
358	BS-694012	1	/P	Gasket Set-Engine
385	BS-697551	1		Screw (Fuel Pump)
387	BS-808656	1	/P	Pump-Fuel
404	BS-690442	1		Washer (Governor Crank)

Ref #	Part Number	Qty	S/P/F	Description
415	BS-690283	1		Plug (Oil Pressure Switch Hole)
418	BS-795912	1		Plate-Carburetor
431	BS-792297	1		Elbow-Intake
445	BS-792105	1	/P	Filter-Air Cleaner Cartridge
447	BS-691003	1	/P	Screw (Air Guide Cover) (Short)
447A	BS-697551	1		Screw (Air Guide Cover) (Long)
467	BS-790697	1		Knob-Air Cleaner
474	BS-696457	1	/P	Alternator
501	BS-691188	1	S	Regulator
505	BS-691029	1		Nut (Governor Control Lever)
510	BS-696541	1	/P	Drive-Starter
513	BS-692024	1	/P	Clutch-Drive
523	BS-691036	1		Dipstick
524	BS-691032	1		Seal-Dipstick Tube
525	BS-691037	1		Tube-Dipstick
526	BS-691129	1	/P	Screw (Regulator)
544	N/A	1		Armature-Starter (Service with Starter Motor BS-497595, Ref No. 309)
552	BS-690552	1		Bushing-Governor Crank
552A	BS-690553	1		Bushing-Governor Crank
562	BS-690311	1		Screw (Governor Control Lever)
573	BS-790444	1		Plate-Back
579	BS-691029	1		Nut (Starter Cable)
601	BS-791850	1	/P	Clamp-Hose (Green)
601A	BS-691038	1		Clamp-Hose (Black)
615	BS-698290	1	/P	Retainer-Governor Shaft
616	BS-691045	1		Crank-Governor
617	BS-697891	1		Seal-O Ring (Intake Manifold) (Red)
628	BS-697551	1		Screw (Fuel Pump Bracket)
633	BS-699813	1		Seal-Choke/Throttle Shaft (Choke Shaft)
635	BS-66538S	1	/P	Boot-Spark Plug
654	BS-690958	1	/P	Nut (Carburetor)
668	BS-691215	1		Spacer (Rotating Screen)
668A	BS-691500	1	/P	Spacer (Rotating Screen)
672	BS-690234	1		Gasket-Carburetor Plate
691	BS-790574	1		Seal-Governor Shaft
697	BS-690372	1	S	Screw (Drive Cap)
703	BS-691010	1		Clip
718	BS-690959	1	/P	Pin-Locating
729	BS-694123	1		Clip-Wire
741	BS-690980	1		Gear-Timing
742	BS-690328	1	/P	Retainer-E Ring (Governor Crank)
750	BS-796208	1		Screw (Oil Pump Cover)
783	BS-695708	1	/P	Gear-Pinion
788	BS-793145	1		Bracket-Fuel Pump
789	BS-696576	1		Harness-Wiring
789A	BS-698330	1		Harness-Wiring
797	BS-693167	1		Nut (Brush Retainer)
798	BS-697890	1		Screw (Rocker Arm)
801	BS-691283	1		Cap-Drive
802	BS-691286	1	/P	Cap-End

Ref #	Part Number	Qty	S/P/F	Description
803	N/A	1		Housing-Starter (Service with Starter Motor BS-497595, Ref No. 309)
847	BS-499602	1		Dipstick/Tube Assembly
850	N/A	1		Sealant-Liquid (Liquid Sealant is Interchangeable with Rocker Cover Gasket and Breather Gasket)
851	BS-493880S	1	/P	Terminal-Spark Plug
865	BS-691012	1		Cover-Air Guide (Cylinder #1)
865A	BS-792286	1		Cover-Air Guide (Valley)
868	BS-690968	1	/P	Seal-Valve
877	BS-790544	1		Wire/Connector-Alternator
883	BS-690970	1	/P	Gasket-Exhaust
914	BS-691127	1	/P	Screw (Rocker Cover)
918	BS-793147	1		Hose-Vacuum
943	BS-796222	1		Seal-O Ring (Oil Pump Cover)
947	BS-841546	1		Solenoid-Fuel
965	BS-796221	1		Cover-Oil Pump
968	BS-795120	1	/P	Cover-Air Cleaner
975	BS-793592	1		Bowl-Float
987	BS-691000	1		Seal-Throttle Shaft
1005	BS-791236	1		Fan-Flywheel
1013	BS-690954	1	/P	Nipple-Oil Filter
1017	BS-796124	1		Screen-Oil Pump
1022	BS-690971	1	/P	Gasket-Rocker Cover
1023	BS-793146	1		Cover-Rocker (Cylinder #1)
1023A	BS-499600	1		Cover-Rocker (Cylinder #2)
1024	BS-796220	1		Pump-Oil
1026	BS-690981	1	/P	Rod-Push (Steel)
1026A	BS-690982	1	/P	Rod-Push (Aluminum)
1027	BS-795890	1	S	Filter-Oil
1029	BS-690972	1		Arm-Rocker
1036	N/A	1		Label-Emissions (Available from Briggs & Stratton)
1040	BS-791237	1		Plate-Trim
1051	BS-691265	1	/P	Ring-Retaining (Starter Drive)
1054	BS-280275	1		Tie-Cable
1059	BS-698516	1		Kit-Screw/Washer (Alternator)
1070	BS-791680	1	/P	Screw (Flywheel Fan)
1090	BS-691293	1	/P	Retainer-Brush
1095	BS-694013	1	/P	Gasket Set-Valve
1100	BS-791959	1		Pivot-Rocker Arm
1119	BS-691183	1	S	Screw (Alternator)
1123	BS-841653	1		Seal-O Ring (Solenoid Retainer)
1124	BS-841653	1		Seal-O Ring (Fuel Transfer Tube)
1126	BS-690991	1		Screw (Fuel Transfer Tube)
1127	BS-695407	1		Screw (Fuel Bowl)
1128	BS-690990	1		Screw (Carburetor Nozzle)
1169	BS-690990	1		Screw (Carburetor Cover Plate)
	BS-44Q777-0037	1	S	Replacement Engine Not shown
	BS-698172	1	/P	Short Block Not shown



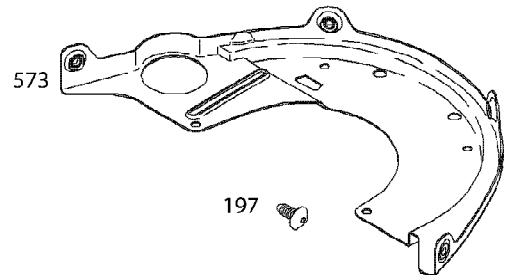
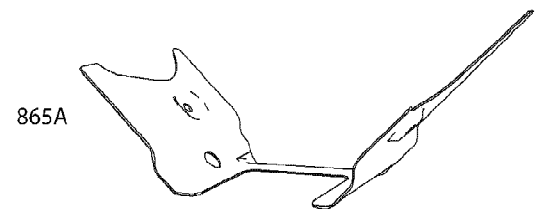
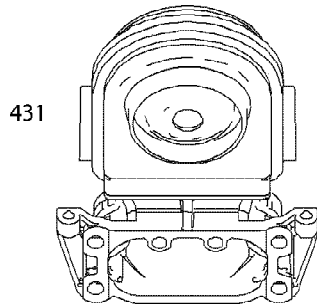
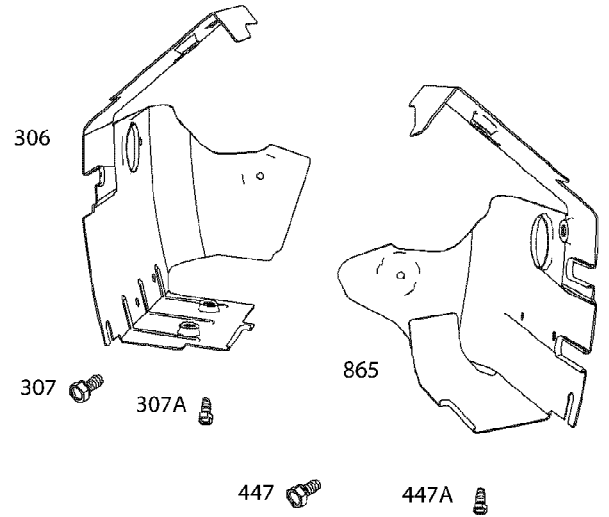
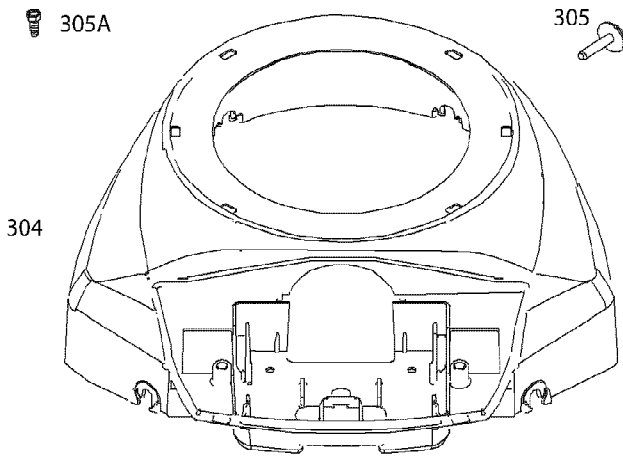
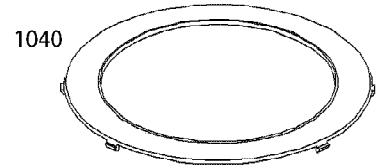
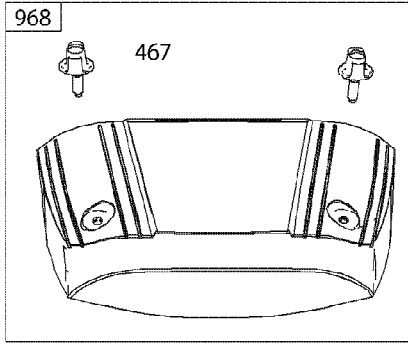
Ref #	Part Number	Qty	S/P/F	Description
1	BS-793564	1		Cylinder Assembly
2	BS-499585	1		Kit-Bushing/Seal (Magneto Side)
3	BS-391086S	1	/P	Seal-Oil (Magneto Side)
4	BS-796230	1	S	Sump-Engine
5	BS-796270	1		Head-Cylinder (Cylinder #1)
5A	BS-796271	1		Head-Cylinder (Cylinder #2)
7	BS-693997	1	/P	Gasket-Cylinder Head
8	BS-792185	1	/P	Breather Assembly
9	BS-690937	1		Gasket-Breather
10	BS-697551	1		Screw (Breather Assembly)
11	BS-792184	1	/P	Tube-Breather
12	BS-697227	1	/P	Gasket-Crankcase
13	BS-793988	1		Screw (Cylinder Head)
15	BS-690946	1	/P	Plug-Oil Drain
16	BS-796540	1		Crankshaft
20	BS-795387	1	/P	Seal-Oil (PTO Side)
22	BS-694966	1	/P	Screw (Crankcase Cover/Sump)
23	BS-691053	1		Flywheel
24	BS-222698S	1	/P	Key-Flywheel
25	BS-793560	1		Piston Assembly (Standard)
25	BS-793563	1		Piston Assembly (.020" Oversize)
26	BS-793561	1		Ring Set (Standard)
26	BS-792073	1		Ring Set (.020" Oversize)
27	BS-690975	1		Lock-Piston Pin
28	BS-696581	1		Pin-Piston
29	BS-796209	1	/P	Rod-Connecting
32	BS-690976	1		Screw (Connecting Rod)
33	BS-793557	1		Valve-Exhaust
34	BS-793556	1		Valve-Intake
35	BS-694865	1		Spring-Valve (Intake)
36	BS-694865	1		Spring-Valve (Exhaust)
40	BS-690964	1	S	Retainer-Valve
42	BS-499586	1	/P	Keeper-Valve
45	BS-690977	1	/P	Tappet-Valve
46	BS-792555	1		Gear-Cam
50	BS-695241	1	/P	Manifold-Intake
51	BS-795123	1		Gasket-Intake
51A	BS-690950	1		Gasket-Intake
53	BS-690951	1		Stud (Carburetor)
54	BS-699816	1		Screw (Intake Manifold)
73	BS-494439S	1	/P	Screen-Rotating
74	BS-698425	1		Screw (Rotating Screen)
75	BS-691056	1		Washer (Flywheel)
95	BS-690718	1		Screw (Throttle Valve)
98	BS-699721	1		Kit-Idle Speed
104	BS-694918	1		Pin-Float Hinge
105	BS-698537	1		Valve-Float Needle
108	BS-699723	1		Valve-Choke
117	BS-792296	1		Jet-Main (Standard) (Left Jet)
117A	BS-842627	1		Jet-Main (Standard) (Right Jet)
118	BS-699457	1		Jet-Main (High Altitude) (Left Jet)
118A	BS-699733	1		Jet-Main (High Altitude) (Right Jet)
121	BS-792455	1	S	Kit-Carburetor Overhaul

Ref #	Part Number	Qty	S/P/F	Description
125	BS-796227	1		Carburetor (Primer System)
130	BS-690993	1		Valve-Throttle
131	BS-499805	1		Kit-Throttle Shaft
133	BS-699724	1		Float-Carburetor
135	BS-699729	1		Tube-Fuel Transfer
137	BS-690994	1		Gasket-Float Bowl
141	BS-796228	1		Kit-Choke Shaft
142	BS-699726	1		Nozzle-Carburetor
146	BS-690979	1	/P	Key-Timing
150	BS-690995	1		Gasket-Nozzle
163	BS-691001	1		Gasket-Air Cleaner
177	BS-691031	1	/P	Seal-O Ring (Dipstick)
186	BS-795985	1		Connector-Hose (Intake Manifold)
187	BS-791766	1	S	Line-Fuel (Cut to Required Length)
188	BS-697551	1		Screw (Control Bracket)
192	BS-690083	1		Adjuster-Rocker Arm
197	BS-697820	1		Screw (Back Plate)
209	BS-796224	1		Spring-Governor (Yellow/Black)
211	BS-796225	1		Spring-Governed Idle
212	BS-695238	1		Link-Throttle
216	BS-796229	1		Link-Choke
217	BS-695409	1		Spring-Choke Return
219	BS-793338	1	/P	Gear-Governor
220	BS-690412	1	/P	Washer (Governor Gear)
221	BS-841026	1		Cup-Governor
222	BS-796226	1		Bracket-Control
227	BS-796223	1		Lever-Governor Control
239	BS-792028	1		Switch-Oil Pressure
240	BS-695666	1	S	Filter-Fuel
250	BS-690957	1		Retainer-Breather
252	BS-794389	1		Collector-Oil
265	BS-691024	1	/P	Clamp-Casing
267	BS-695134	1		Screw (Casing Clamp)
276	BS-695410	1		Washer-Sealing
278	BS-792651	1		Washer (Governor Control Lever)
287	BS-691108	1	/P	Screw (Dipstick Tube)
304	BS-796678	1	S	Housing-Blower
305	BS-691005	1		Screw (Blower Housing)
305A	BS-790690	1		Screw (Blower Housing to Intake Elbow)
306	BS-796541	1		Shield-Cylinder (Cylinder #2)
307	BS-691003	1	/P	Screw (Cylinder Shield) (Short)
307A	BS-697551	1		Screw (Cylinder Shield) (Long)
309	BS-497595	1	/P	Motor-Starter
310	BS-690323	1		Screw (Starter Motor)
311	BS-497608	1	/P	Brush Set
332	BS-691059	1		Nut (Flywheel)
333	BS-691060	1	/P	Armature-Magneto
334	BS-691061	1		Screw (Magneto Armature)
337	BS-491055	1	S	Plug-Spark
358	BS-694012	1	/P	Gasket Set-Engine
385	BS-697551	1		Screw (Fuel Pump)
387	BS-808656	1	/P	Pump-Fuel
404	BS-690442	1		Washer (Governor Crank)

Ref #	Part Number	Qty	S/P/F	Description
415	BS-690283	1		Plug (Oil Pressure Switch Hole)
418	BS-795912	1		Plate-Carburetor
431	BS-792297	1		Elbow-Intake
445	BS-792105	1	/P	Filter-Air Cleaner Cartridge
447	BS-691003	1	/P	Screw (Air Guide Cover) (Short)
447A	BS-697551	1		Screw (Air Guide Cover) (Long)
467	BS-790697	1		Knob-Air Cleaner
474	BS-696457	1	/P	Alternator
501	BS-691188	1	S	Regulator
505	BS-691029	1		Nut (Governor Control Lever)
510	BS-696541	1	/P	Drive-Starter
513	BS-692024	1	/P	Clutch-Drive
523	BS-691036	1		Dipstick
524	BS-691032	1		Seal-Dipstick Tube
525	BS-691037	1		Tube-Dipstick
526	BS-691129	1	/P	Screw (Regulator)
544	N/A	1		Armature-Starter (Service with Starter Motor BS-497595, Ref No. 309)
552	BS-690552	1		Bushing-Governor Crank
552A	BS-690553	1		Bushing-Governor Crank
562	BS-690311	1		Screw (Governor Control Lever)
573	BS-790444	1		Plate-Back
579	BS-691029	1		Nut (Starter Cable)
601	BS-791850	1	/P	Clamp-Hose (Green)
601A	BS-691038	1		Clamp-Hose (Black)
615	BS-698290	1	/P	Retainer-Governor Shaft
616	BS-691045	1		Crank-Governor
617	BS-697891	1		Seal-O Ring (Intake Manifold) (Red)
628	BS-697551	1		Screw (Fuel Pump Bracket)
633	BS-699813	1		Seal-Choke/Throttle Shaft (Choke Shaft)
635	BS-66538S	1	/P	Boot-Spark Plug
654	BS-690958	1	/P	Nut (Carburetor)
668	BS-691215	1		Spacer (Rotating Screen)
668A	BS-691500	1	/P	Spacer (Rotating Screen)
672	BS-690234	1		Gasket-Carburetor Plate
691	BS-790574	1		Seal-Governor Shaft
697	BS-690372	1	S	Screw (Drive Cap)
703	BS-691010	1		Clip
718	BS-690959	1	/P	Pin-Locating
729	BS-694123	1		Clip-Wire
741	BS-690980	1		Gear-Timing
742	BS-690328	1	/P	Retainer-E Ring (Governor Crank)
750	BS-796208	1		Screw (Oil Pump Cover)
783	BS-695708	1	/P	Gear-Pinion
788	BS-793145	1		Bracket-Fuel Pump
789	BS-696576	1		Harness-Wiring
789A	BS-698330	1		Harness-Wiring
797	BS-693167	1		Nut (Brush Retainer)
798	BS-697890	1		Screw (Rocker Arm)
801	BS-691283	1		Cap-Drive
802	BS-691286	1	/P	Cap-End

Ref #	Part Number	Qty	S/P/F	Description
803	N/A	1		Housing-Starter (Service with Starter Motor BS-497595, Ref No. 309)
847	BS-499602	1		Dipstick/Tube Assembly
850	N/A	1		Sealant-Liquid (Liquid Sealant is Interchangeable with Rocker Cover Gasket and Breather Gasket)
851	BS-493880S	1	/P	Terminal-Spark Plug
865	BS-691012	1		Cover-Air Guide (Cylinder #1)
865A	BS-792286	1		Cover-Air Guide (Valley)
868	BS-690968	1	/P	Seal-Valve
877	BS-790544	1		Wire/Connector-Alternator
883	BS-690970	1	/P	Gasket-Exhaust
914	BS-691127	1	/P	Screw (Rocker Cover)
918	BS-793147	1		Hose-Vacuum
943	BS-796222	1		Seal-O Ring (Oil Pump Cover)
947	BS-841546	1		Solenoid-Fuel
965	BS-796221	1		Cover-Oil Pump
968	BS-795120	1	/P	Cover-Air Cleaner
975	BS-793592	1		Bowl-Float
987	BS-691000	1		Seal-Throttle Shaft
1005	BS-791236	1		Fan-Flywheel
1013	BS-690954	1	/P	Nipple-Oil Filter
1017	BS-796124	1		Screen-Oil Pump
1022	BS-690971	1	/P	Gasket-Rocker Cover
1023	BS-793146	1		Cover-Rocker (Cylinder #1)
1023A	BS-499600	1		Cover-Rocker (Cylinder #2)
1024	BS-796220	1		Pump-Oil
1026	BS-690981	1	/P	Rod-Push (Steel)
1026A	BS-690982	1	/P	Rod-Push (Aluminum)
1027	BS-795890	1	S	Filter-Oil
1029	BS-690972	1		Arm-Rocker
1036	N/A	1		Label-Emissions (Available from Briggs & Stratton)
1040	BS-791237	1		Plate-Trim
1051	BS-691265	1	/P	Ring-Retaining (Starter Drive)
1054	BS-280275	1		Tie-Cable
1059	BS-698516	1		Kit-Screw/Washer (Alternator)
1070	BS-791680	1	/P	Screw (Flywheel Fan)
1090	BS-691293	1	/P	Retainer-Brush
1095	BS-694013	1	/P	Gasket Set-Valve
1100	BS-791959	1		Pivot-Rocker Arm
1119	BS-691183	1	S	Screw (Alternator)
1123	BS-841653	1		Seal-O Ring (Solenoid Retainer)
1124	BS-841653	1		Seal-O Ring (Fuel Transfer Tube)
1126	BS-690991	1		Screw (Fuel Transfer Tube)
1127	BS-695407	1		Screw (Fuel Bowl)
1128	BS-690990	1		Screw (Carburetor Nozzle)
1169	BS-690990	1		Screw (Carburetor Cover Plate)
	BS-44Q777-0037	1	S	Replacement Engine Not shown
	BS-698172	1	/P	Short Block Not shown

1036 EMISSIONS LABEL



Ref #	Part Number	Qty	S/P/F	Description
1	BS-793564	1		Cylinder Assembly
2	BS-499585	1		Kit-Bushing/Seal (Magneto Side)
3	BS-391086S	1	/P	Seal-Oil (Magneto Side)
4	BS-796230	1	S	Sump-Engine
5	BS-796270	1		Head-Cylinder (Cylinder #1)
5A	BS-796271	1		Head-Cylinder (Cylinder #2)
7	BS-693997	1	/P	Gasket-Cylinder Head
8	BS-792185	1	/P	Breather Assembly
9	BS-690937	1		Gasket-Breather
10	BS-697551	1		Screw (Breather Assembly)
11	BS-792184	1	/P	Tube-Breather
12	BS-697227	1	/P	Gasket-Crankcase
13	BS-793988	1		Screw (Cylinder Head)
15	BS-690946	1	/P	Plug-Oil Drain
16	BS-796540	1		Crankshaft
20	BS-795387	1	/P	Seal-Oil (PTO Side)
22	BS-694966	1	/P	Screw (Crankcase Cover/Sump)
23	BS-691053	1		Flywheel
24	BS-222698S	1	/P	Key-Flywheel
25	BS-793560	1		Piston Assembly (Standard)
25	BS-793563	1		Piston Assembly (.020" Oversize)
26	BS-793561	1		Ring Set (Standard)
26	BS-792073	1		Ring Set (.020" Oversize)
27	BS-690975	1		Lock-Piston Pin
28	BS-696581	1		Pin-Piston
29	BS-796209	1	/P	Rod-Connecting
32	BS-690976	1		Screw (Connecting Rod)
33	BS-793557	1		Valve-Exhaust
34	BS-793556	1		Valve-Intake
35	BS-694865	1		Spring-Valve (Intake)
36	BS-694865	1		Spring-Valve (Exhaust)
40	BS-690964	1	S	Retainer-Valve
42	BS-499586	1	/P	Keeper-Valve
45	BS-690977	1	/P	Tappet-Valve
46	BS-792555	1		Gear-Cam
50	BS-695241	1	/P	Manifold-Intake
51	BS-795123	1		Gasket-Intake
51A	BS-690950	1		Gasket-Intake
53	BS-690951	1		Stud (Carburetor)
54	BS-699816	1		Screw (Intake Manifold)
73	BS-494439S	1	/P	Screen-Rotating
74	BS-698425	1		Screw (Rotating Screen)
75	BS-691056	1		Washer (Flywheel)
95	BS-690718	1		Screw (Throttle Valve)
98	BS-699721	1		Kit-Idle Speed
104	BS-694918	1		Pin-Float Hinge
105	BS-698537	1		Valve-Float Needle
108	BS-699723	1		Valve-Choke
117	BS-792296	1		Jet-Main (Standard) (Left Jet)
117A	BS-842627	1		Jet-Main (Standard) (Right Jet)
118	BS-699457	1		Jet-Main (High Altitude) (Left Jet)
118A	BS-699733	1		Jet-Main (High Altitude) (Right Jet)
121	BS-792455	1	S	Kit-Carburetor Overhaul

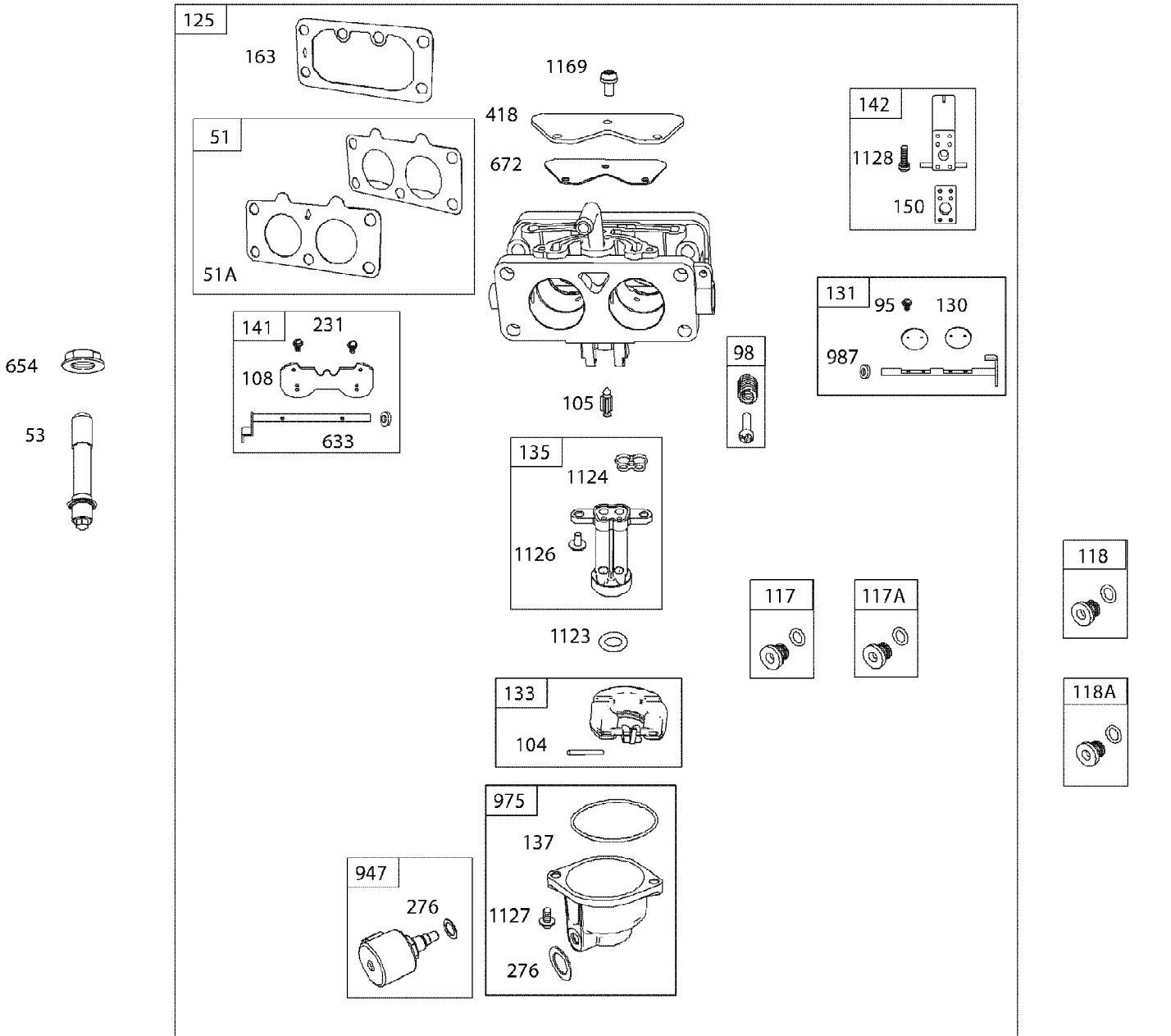
Ref #	Part Number	Qty	S/P/F	Description
125	BS-796227	1		Carburetor (Primer System)
130	BS-690993	1		Valve-Throttle
131	BS-499805	1		Kit-Throttle Shaft
133	BS-699724	1		Float-Carburetor
135	BS-699729	1		Tube-Fuel Transfer
137	BS-690994	1		Gasket-Float Bowl
141	BS-796228	1		Kit-Choke Shaft
142	BS-699726	1		Nozzle-Carburetor
146	BS-690979	1	/P	Key-Timing
150	BS-690995	1		Gasket-Nozzle
163	BS-691001	1		Gasket-Air Cleaner
177	BS-691031	1	/P	Seal-O Ring (Dipstick)
186	BS-795985	1		Connector-Hose (Intake Manifold)
187	BS-791766	1	S	Line-Fuel (Cut to Required Length)
188	BS-697551	1		Screw (Control Bracket)
192	BS-690083	1		Adjuster-Rocker Arm
197	BS-697820	1		Screw (Back Plate)
209	BS-796224	1		Spring-Governor (Yellow/Black)
211	BS-796225	1		Spring-Governed Idle
212	BS-695238	1		Link-Throttle
216	BS-796229	1		Link-Choke
217	BS-695409	1		Spring-Choke Return
219	BS-793338	1	/P	Gear-Governor
220	BS-690412	1	/P	Washer (Governor Gear)
221	BS-841026	1		Cup-Governor
222	BS-796226	1		Bracket-Control
227	BS-796223	1		Lever-Governor Control
239	BS-792028	1		Switch-Oil Pressure
240	BS-695666	1	S	Filter-Fuel
250	BS-690957	1		Retainer-Breather
252	BS-794389	1		Collector-Oil
265	BS-691024	1	/P	Clamp-Casing
267	BS-695134	1		Screw (Casing Clamp)
276	BS-695410	1		Washer-Sealing
278	BS-792651	1		Washer (Governor Control Lever)
287	BS-691108	1	/P	Screw (Dipstick Tube)
304	BS-796678	1	S	Housing-Blower
305	BS-691005	1		Screw (Blower Housing)
305A	BS-790690	1		Screw (Blower Housing to Intake Elbow)
306	BS-796541	1		Shield-Cylinder (Cylinder #2)
307	BS-691003	1	/P	Screw (Cylinder Shield) (Short)
307A	BS-697551	1		Screw (Cylinder Shield) (Long)
309	BS-497595	1	/P	Motor-Starter
310	BS-690323	1		Screw (Starter Motor)
311	BS-497608	1	/P	Brush Set
332	BS-691059	1		Nut (Flywheel)
333	BS-691060	1	/P	Armature-Magneto
334	BS-691061	1		Screw (Magneto Armature)
337	BS-491055	1	S	Plug-Spark
358	BS-694012	1	/P	Gasket Set-Engine
385	BS-697551	1		Screw (Fuel Pump)
387	BS-808656	1	/P	Pump-Fuel
404	BS-690442	1		Washer (Governor Crank)

Ref #	Part Number	Qty	S/P/F	Description
415	BS-690283	1		Plug (Oil Pressure Switch Hole)
418	BS-795912	1		Plate-Carburetor
431	BS-792297	1		Elbow-Intake
445	BS-792105	1	/P	Filter-Air Cleaner Cartridge
447	BS-691003	1	/P	Screw (Air Guide Cover) (Short)
447A	BS-697551	1		Screw (Air Guide Cover) (Long)
467	BS-790697	1		Knob-Air Cleaner
474	BS-696457	1	/P	Alternator
501	BS-691188	1	S	Regulator
505	BS-691029	1		Nut (Governor Control Lever)
510	BS-696541	1	/P	Drive-Starter
513	BS-692024	1	/P	Clutch-Drive
523	BS-691036	1		Dipstick
524	BS-691032	1		Seal-Dipstick Tube
525	BS-691037	1		Tube-Dipstick
526	BS-691129	1	/P	Screw (Regulator)
544	N/A	1		Armature-Starter (Service with Starter Motor BS-497595, Ref No. 309)
552	BS-690552	1		Bushing-Governor Crank
552A	BS-690553	1		Bushing-Governor Crank
562	BS-690311	1		Screw (Governor Control Lever)
573	BS-790444	1		Plate-Back
579	BS-691029	1		Nut (Starter Cable)
601	BS-791850	1	/P	Clamp-Hose (Green)
601A	BS-691038	1		Clamp-Hose (Black)
615	BS-698290	1	/P	Retainer-Governor Shaft
616	BS-691045	1		Crank-Governor
617	BS-697891	1		Seal-O Ring (Intake Manifold) (Red)
628	BS-697551	1		Screw (Fuel Pump Bracket)
633	BS-699813	1		Seal-Choke/Throttle Shaft (Choke Shaft)
635	BS-66538S	1	/P	Boot-Spark Plug
654	BS-690958	1	/P	Nut (Carburetor)
668	BS-691215	1		Spacer (Rotating Screen)
668A	BS-691500	1	/P	Spacer (Rotating Screen)
672	BS-690234	1		Gasket-Carburetor Plate
691	BS-790574	1		Seal-Governor Shaft
697	BS-690372	1	S	Screw (Drive Cap)
703	BS-691010	1		Clip
718	BS-690959	1	/P	Pin-Locating
729	BS-694123	1		Clip-Wire
741	BS-690980	1		Gear-Timing
742	BS-690328	1	/P	Retainer-E Ring (Governor Crank)
750	BS-796208	1		Screw (Oil Pump Cover)
783	BS-695708	1	/P	Gear-Pinion
788	BS-793145	1		Bracket-Fuel Pump
789	BS-696576	1		Harness-Wiring
789A	BS-698330	1		Harness-Wiring
797	BS-693167	1		Nut (Brush Retainer)
798	BS-697890	1		Screw (Rocker Arm)
801	BS-691283	1		Cap-Drive
802	BS-691286	1	/P	Cap-End

GT1554VT Tractor
Engine Assembly 4

Page 26 of 70

Ref #	Part Number	Qty	S/P/F	Description
803	N/A	1		Housing-Starter (Service with Starter Motor BS-497595, Ref No. 309)
847	BS-499602	1		Dipstick/Tube Assembly
850	N/A	1		Sealant-Liquid (Liquid Sealant is Interchangeable with Rocker Cover Gasket and Breather Gasket)
851	BS-493880S	1	/P	Terminal-Spark Plug
865	BS-691012	1		Cover-Air Guide (Cylinder #1)
865A	BS-792286	1		Cover-Air Guide (Valley)
868	BS-690968	1	/P	Seal-Valve
877	BS-790544	1		Wire/Connector-Alternator
883	BS-690970	1	/P	Gasket-Exhaust
914	BS-691127	1	/P	Screw (Rocker Cover)
918	BS-793147	1		Hose-Vacuum
943	BS-796222	1		Seal-O Ring (Oil Pump Cover)
947	BS-841546	1		Solenoid-Fuel
965	BS-796221	1		Cover-Oil Pump
968	BS-795120	1	/P	Cover-Air Cleaner
975	BS-793592	1		Bowl-Float
987	BS-691000	1		Seal-Throttle Shaft
1005	BS-791236	1		Fan-Flywheel
1013	BS-690954	1	/P	Nipple-Oil Filter
1017	BS-796124	1		Screen-Oil Pump
1022	BS-690971	1	/P	Gasket-Rocker Cover
1023	BS-793146	1		Cover-Rocker (Cylinder #1)
1023A	BS-499600	1		Cover-Rocker (Cylinder #2)
1024	BS-796220	1		Pump-Oil
1026	BS-690981	1	/P	Rod-Push (Steel)
1026A	BS-690982	1	/P	Rod-Push (Aluminum)
1027	BS-795890	1	S	Filter-Oil
1029	BS-690972	1		Arm-Rocker
1036	N/A	1		Label-Emissions (Available from Briggs & Stratton)
1040	BS-791237	1		Plate-Trim
1051	BS-691265	1	/P	Ring-Retaining (Starter Drive)
1054	BS-280275	1		Tie-Cable
1059	BS-698516	1		Kit-Screw/Washer (Alternator)
1070	BS-791680	1	/P	Screw (Flywheel Fan)
1090	BS-691293	1	/P	Retainer-Brush
1095	BS-694013	1	/P	Gasket Set-Valve
1100	BS-791959	1		Pivot-Rocker Arm
1119	BS-691183	1	S	Screw (Alternator)
1123	BS-841653	1		Seal-O Ring (Solenoid Retainer)
1124	BS-841653	1		Seal-O Ring (Fuel Transfer Tube)
1126	BS-690991	1		Screw (Fuel Transfer Tube)
1127	BS-695407	1		Screw (Fuel Bowl)
1128	BS-690990	1		Screw (Carburetor Nozzle)
1169	BS-690990	1		Screw (Carburetor Cover Plate)
	BS-44Q777-0037	1	S	Replacement Engine Not shown
	BS-698172	1	/P	Short Block Not shown



Ref #	Part Number	Qty	S/P/F	Description
1	BS-793564	1		Cylinder Assembly
2	BS-499585	1		Kit-Bushing/Seal (Magneto Side)
3	BS-391086S	1	/P	Seal-Oil (Magneto Side)
4	BS-796230	1	S	Sump-Engine
5	BS-796270	1		Head-Cylinder (Cylinder #1)
5A	BS-796271	1		Head-Cylinder (Cylinder #2)
7	BS-693997	1	/P	Gasket-Cylinder Head
8	BS-792185	1	/P	Breather Assembly
9	BS-690937	1		Gasket-Breather
10	BS-697551	1		Screw (Breather Assembly)
11	BS-792184	1	/P	Tube-Breather
12	BS-697227	1	/P	Gasket-Crankcase
13	BS-793988	1		Screw (Cylinder Head)
15	BS-690946	1	/P	Plug-Oil Drain
16	BS-796540	1		Crankshaft
20	BS-795387	1	/P	Seal-Oil (PTO Side)
22	BS-694966	1	/P	Screw (Crankcase Cover/Sump)
23	BS-691053	1		Flywheel
24	BS-222698S	1	/P	Key-Flywheel
25	BS-793560	1		Piston Assembly (Standard)
25	BS-793563	1		Piston Assembly (.020" Oversize)
26	BS-793561	1		Ring Set (Standard)
26	BS-792073	1		Ring Set (.020" Oversize)
27	BS-690975	1		Lock-Piston Pin
28	BS-696581	1		Pin-Piston
29	BS-796209	1	/P	Rod-Connecting
32	BS-690976	1		Screw (Connecting Rod)
33	BS-793557	1		Valve-Exhaust
34	BS-793556	1		Valve-Intake
35	BS-694865	1		Spring-Valve (Intake)
36	BS-694865	1		Spring-Valve (Exhaust)
40	BS-690964	1	S	Retainer-Valve
42	BS-499586	1	/P	Keeper-Valve
45	BS-690977	1	/P	Tappet-Valve
46	BS-792555	1		Gear-Cam
50	BS-695241	1	/P	Manifold-Intake
51	BS-795123	1		Gasket-Intake
51A	BS-690950	1		Gasket-Intake
53	BS-690951	1		Stud (Carburetor)
54	BS-699816	1		Screw (Intake Manifold)
73	BS-494439S	1	/P	Screen-Rotating
74	BS-698425	1		Screw (Rotating Screen)
75	BS-691056	1		Washer (Flywheel)
95	BS-690718	1		Screw (Throttle Valve)
98	BS-699721	1		Kit-Idle Speed
104	BS-694918	1		Pin-Float Hinge
105	BS-698537	1		Valve-Float Needle
108	BS-699723	1		Valve-Choke
117	BS-792296	1		Jet-Main (Standard) (Left Jet)
117A	BS-842627	1		Jet-Main (Standard) (Right Jet)
118	BS-699457	1		Jet-Main (High Altitude) (Left Jet)
118A	BS-699733	1		Jet-Main (High Altitude) (Right Jet)
121	BS-792455	1	S	Kit-Carburetor Overhaul

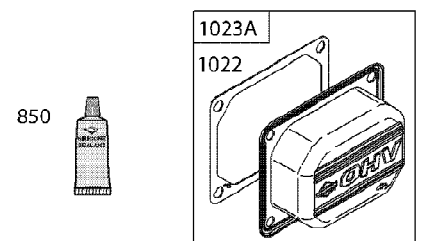
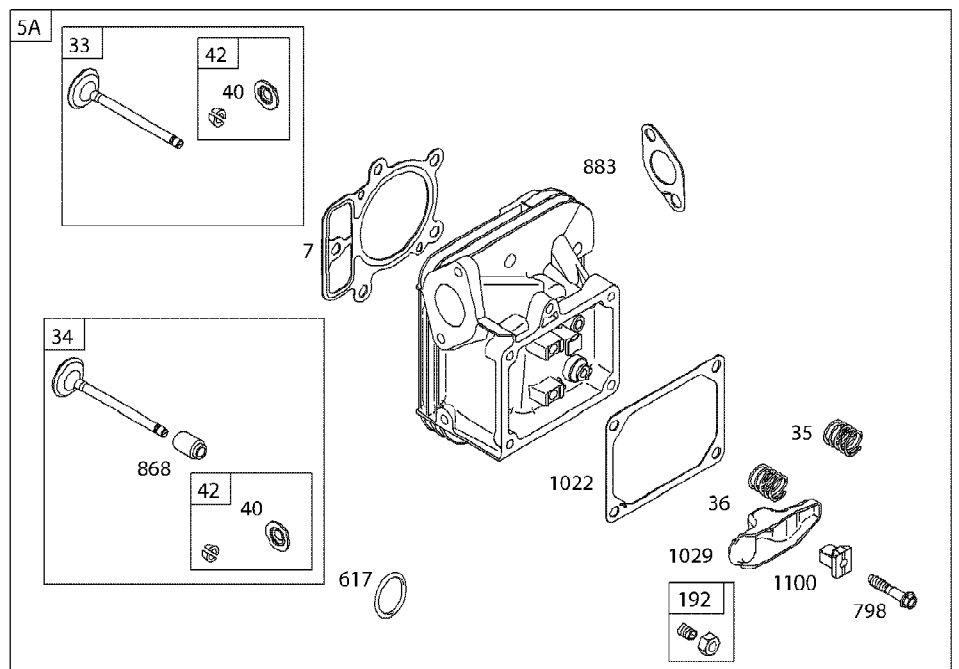
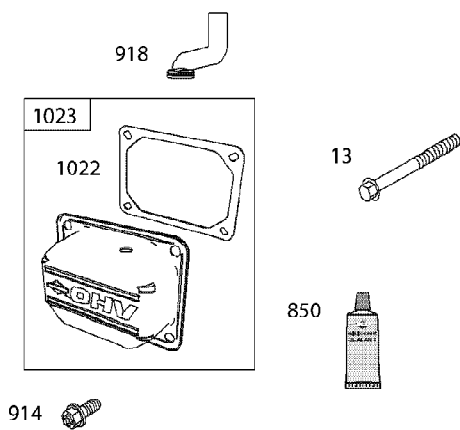
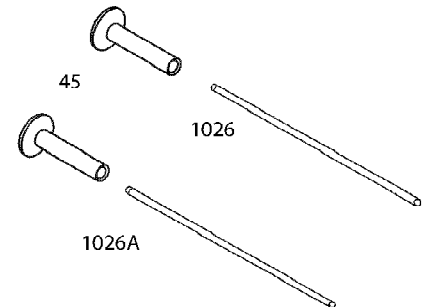
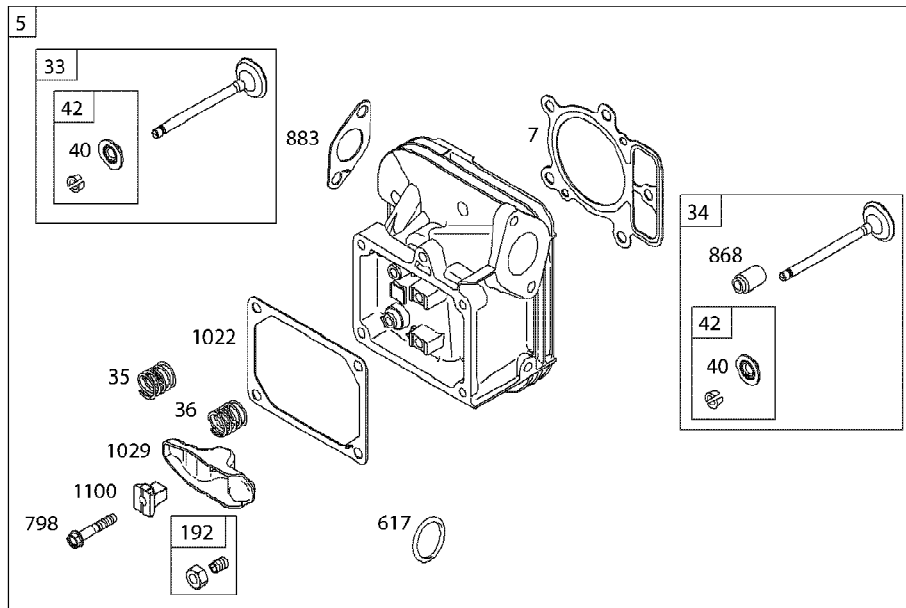
Ref #	Part Number	Qty	S/P/F	Description
125	BS-796227	1		Carburetor (Primer System)
130	BS-690993	1		Valve-Throttle
131	BS-499805	1		Kit-Throttle Shaft
133	BS-699724	1		Float-Carburetor
135	BS-699729	1		Tube-Fuel Transfer
137	BS-690994	1		Gasket-Float Bowl
141	BS-796228	1		Kit-Choke Shaft
142	BS-699726	1		Nozzle-Carburetor
146	BS-690979	1	/P	Key-Timing
150	BS-690995	1		Gasket-Nozzle
163	BS-691001	1		Gasket-Air Cleaner
177	BS-691031	1	/P	Seal-O Ring (Dipstick)
186	BS-795985	1		Connector-Hose (Intake Manifold)
187	BS-791766	1	S	Line-Fuel (Cut to Required Length)
188	BS-697551	1		Screw (Control Bracket)
192	BS-690083	1		Adjuster-Rocker Arm
197	BS-697820	1		Screw (Back Plate)
209	BS-796224	1		Spring-Governor (Yellow/Black)
211	BS-796225	1		Spring-Governed Idle
212	BS-695238	1		Link-Throttle
216	BS-796229	1		Link-Choke
217	BS-695409	1		Spring-Choke Return
219	BS-793338	1	/P	Gear-Governor
220	BS-690412	1	/P	Washer (Governor Gear)
221	BS-841026	1		Cup-Governor
222	BS-796226	1		Bracket-Control
227	BS-796223	1		Lever-Governor Control
239	BS-792028	1		Switch-Oil Pressure
240	BS-695666	1	S	Filter-Fuel
250	BS-690957	1		Retainer-Breather
252	BS-794389	1		Collector-Oil
265	BS-691024	1	/P	Clamp-Casing
267	BS-695134	1		Screw (Casing Clamp)
276	BS-695410	1		Washer-Sealing
278	BS-792651	1		Washer (Governor Control Lever)
287	BS-691108	1	/P	Screw (Dipstick Tube)
304	BS-796678	1	S	Housing-Blower
305	BS-691005	1		Screw (Blower Housing)
305A	BS-790690	1		Screw (Blower Housing to Intake Elbow)
306	BS-796541	1		Shield-Cylinder (Cylinder #2)
307	BS-691003	1	/P	Screw (Cylinder Shield) (Short)
307A	BS-697551	1		Screw (Cylinder Shield) (Long)
309	BS-497595	1	/P	Motor-Starter
310	BS-690323	1		Screw (Starter Motor)
311	BS-497608	1	/P	Brush Set
332	BS-691059	1		Nut (Flywheel)
333	BS-691060	1	/P	Armature-Magneto
334	BS-691061	1		Screw (Magneto Armature)
337	BS-491055	1	S	Plug-Spark
358	BS-694012	1	/P	Gasket Set-Engine
385	BS-697551	1		Screw (Fuel Pump)
387	BS-808656	1	/P	Pump-Fuel
404	BS-690442	1		Washer (Governor Crank)

Ref #	Part Number	Qty	S/P/F	Description
415	BS-690283	1		Plug (Oil Pressure Switch Hole)
418	BS-795912	1		Plate-Carburetor
431	BS-792297	1		Elbow-Intake
445	BS-792105	1	/P	Filter-Air Cleaner Cartridge
447	BS-691003	1	/P	Screw (Air Guide Cover) (Short)
447A	BS-697551	1		Screw (Air Guide Cover) (Long)
467	BS-790697	1		Knob-Air Cleaner
474	BS-696457	1	/P	Alternator
501	BS-691188	1	S	Regulator
505	BS-691029	1		Nut (Governor Control Lever)
510	BS-696541	1	/P	Drive-Starter
513	BS-692024	1	/P	Clutch-Drive
523	BS-691036	1		Dipstick
524	BS-691032	1		Seal-Dipstick Tube
525	BS-691037	1		Tube-Dipstick
526	BS-691129	1	/P	Screw (Regulator)
544	N/A	1		Armature-Starter (Service with Starter Motor BS-497595, Ref No. 309)
552	BS-690552	1		Bushing-Governor Crank
552A	BS-690553	1		Bushing-Governor Crank
562	BS-690311	1		Screw (Governor Control Lever)
573	BS-790444	1		Plate-Back
579	BS-691029	1		Nut (Starter Cable)
601	BS-791850	1	/P	Clamp-Hose (Green)
601A	BS-691038	1		Clamp-Hose (Black)
615	BS-698290	1	/P	Retainer-Governor Shaft
616	BS-691045	1		Crank-Governor
617	BS-697891	1		Seal-O Ring (Intake Manifold) (Red)
628	BS-697551	1		Screw (Fuel Pump Bracket)
633	BS-699813	1		Seal-Choke/Throttle Shaft (Choke Shaft)
635	BS-66538S	1	/P	Boot-Spark Plug
654	BS-690958	1	/P	Nut (Carburetor)
668	BS-691215	1		Spacer (Rotating Screen)
668A	BS-691500	1	/P	Spacer (Rotating Screen)
672	BS-690234	1		Gasket-Carburetor Plate
691	BS-790574	1		Seal-Governor Shaft
697	BS-690372	1	S	Screw (Drive Cap)
703	BS-691010	1		Clip
718	BS-690959	1	/P	Pin-Locating
729	BS-694123	1		Clip-Wire
741	BS-690980	1		Gear-Timing
742	BS-690328	1	/P	Retainer-E Ring (Governor Crank)
750	BS-796208	1		Screw (Oil Pump Cover)
783	BS-695708	1	/P	Gear-Pinion
788	BS-793145	1		Bracket-Fuel Pump
789	BS-696576	1		Harness-Wiring
789A	BS-698330	1		Harness-Wiring
797	BS-693167	1		Nut (Brush Retainer)
798	BS-697890	1		Screw (Rocker Arm)
801	BS-691283	1		Cap-Drive
802	BS-691286	1	/P	Cap-End

GT1554VT Tractor
Engine Assembly 5

Page 31 of 70

Ref #	Part Number	Qty	S/P/F	Description
803	N/A	1		Housing-Starter (Service with Starter Motor BS-497595, Ref No. 309)
847	BS-499602	1		Dipstick/Tube Assembly
850	N/A	1		Sealant-Liquid (Liquid Sealant is Interchangeable with Rocker Cover Gasket and Breather Gasket)
851	BS-493880S	1	/P	Terminal-Spark Plug
865	BS-691012	1		Cover-Air Guide (Cylinder #1)
865A	BS-792286	1		Cover-Air Guide (Valley)
868	BS-690968	1	/P	Seal-Valve
877	BS-790544	1		Wire/Connector-Alternator
883	BS-690970	1	/P	Gasket-Exhaust
914	BS-691127	1	/P	Screw (Rocker Cover)
918	BS-793147	1		Hose-Vacuum
943	BS-796222	1		Seal-O Ring (Oil Pump Cover)
947	BS-841546	1		Solenoid-Fuel
965	BS-796221	1		Cover-Oil Pump
968	BS-795120	1	/P	Cover-Air Cleaner
975	BS-793592	1		Bowl-Float
987	BS-691000	1		Seal-Throttle Shaft
1005	BS-791236	1		Fan-Flywheel
1013	BS-690954	1	/P	Nipple-Oil Filter
1017	BS-796124	1		Screen-Oil Pump
1022	BS-690971	1	/P	Gasket-Rocker Cover
1023	BS-793146	1		Cover-Rocker (Cylinder #1)
1023A	BS-499600	1		Cover-Rocker (Cylinder #2)
1024	BS-796220	1		Pump-Oil
1026	BS-690981	1	/P	Rod-Push (Steel)
1026A	BS-690982	1	/P	Rod-Push (Aluminum)
1027	BS-795890	1	S	Filter-Oil
1029	BS-690972	1		Arm-Rocker
1036	N/A	1		Label-Emissions (Available from Briggs & Stratton)
1040	BS-791237	1		Plate-Trim
1051	BS-691265	1	/P	Ring-Retaining (Starter Drive)
1054	BS-280275	1		Tie-Cable
1059	BS-698516	1		Kit-Screw/Washer (Alternator)
1070	BS-791680	1	/P	Screw (Flywheel Fan)
1090	BS-691293	1	/P	Retainer-Brush
1095	BS-694013	1	/P	Gasket Set-Valve
1100	BS-791959	1		Pivot-Rocker Arm
1119	BS-691183	1	S	Screw (Alternator)
1123	BS-841653	1		Seal-O Ring (Solenoid Retainer)
1124	BS-841653	1		Seal-O Ring (Fuel Transfer Tube)
1126	BS-690991	1		Screw (Fuel Transfer Tube)
1127	BS-695407	1		Screw (Fuel Bowl)
1128	BS-690990	1		Screw (Carburetor Nozzle)
1169	BS-690990	1		Screw (Carburetor Cover Plate)
	BS-44Q777-0037	1	S	Replacement Engine Not shown
	BS-698172	1	/P	Short Block Not shown

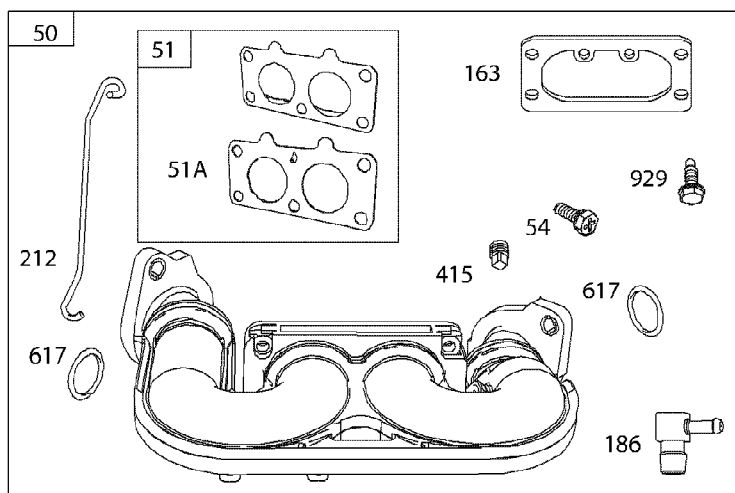
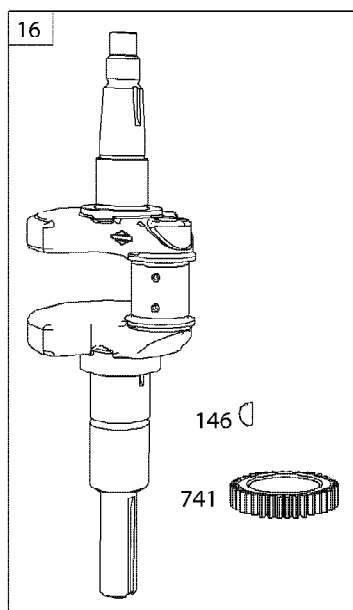
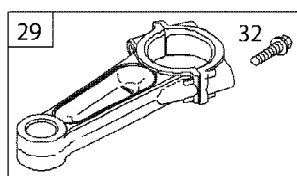
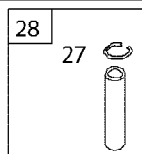
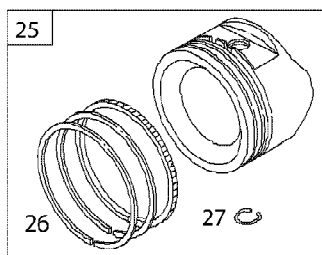


Ref #	Part Number	Qty	S/P/F	Description
1	BS-793564	1		Cylinder Assembly
2	BS-499585	1		Kit-Bushing/Seal (Magneto Side)
3	BS-391086S	1	/P	Seal-Oil (Magneto Side)
4	BS-796230	1	S	Sump-Engine
5	BS-796270	1		Head-Cylinder (Cylinder #1)
5A	BS-796271	1		Head-Cylinder (Cylinder #2)
7	BS-693997	1	/P	Gasket-Cylinder Head
8	BS-792185	1	/P	Breather Assembly
9	BS-690937	1		Gasket-Breather
10	BS-697551	1		Screw (Breather Assembly)
11	BS-792184	1	/P	Tube-Breather
12	BS-697227	1	/P	Gasket-Crankcase
13	BS-793988	1		Screw (Cylinder Head)
15	BS-690946	1	/P	Plug-Oil Drain
16	BS-796540	1		Crankshaft
20	BS-795387	1	/P	Seal-Oil (PTO Side)
22	BS-694966	1	/P	Screw (Crankcase Cover/Sump)
23	BS-691053	1		Flywheel
24	BS-222698S	1	/P	Key-Flywheel
25	BS-793560	1		Piston Assembly (Standard)
25	BS-793563	1		Piston Assembly (.020" Oversize)
26	BS-793561	1		Ring Set (Standard)
26	BS-792073	1		Ring Set (.020" Oversize)
27	BS-690975	1		Lock-Piston Pin
28	BS-696581	1		Pin-Piston
29	BS-796209	1	/P	Rod-Connecting
32	BS-690976	1		Screw (Connecting Rod)
33	BS-793557	1		Valve-Exhaust
34	BS-793556	1		Valve-Intake
35	BS-694865	1		Spring-Valve (Intake)
36	BS-694865	1		Spring-Valve (Exhaust)
40	BS-690964	1	S	Retainer-Valve
42	BS-499586	1	/P	Keeper-Valve
45	BS-690977	1	/P	Tappet-Valve
46	BS-792555	1		Gear-Cam
50	BS-695241	1	/P	Manifold-Intake
51	BS-795123	1		Gasket-Intake
51A	BS-690950	1		Gasket-Intake
53	BS-690951	1		Stud (Carburetor)
54	BS-699816	1		Screw (Intake Manifold)
73	BS-494439S	1	/P	Screen-Rotating
74	BS-698425	1		Screw (Rotating Screen)
75	BS-691056	1		Washer (Flywheel)
95	BS-690718	1		Screw (Throttle Valve)
98	BS-699721	1		Kit-Idle Speed
104	BS-694918	1		Pin-Float Hinge
105	BS-698537	1		Valve-Float Needle
108	BS-699723	1		Valve-Choke
117	BS-792296	1		Jet-Main (Standard) (Left Jet)
117A	BS-842627	1		Jet-Main (Standard) (Right Jet)
118	BS-699457	1		Jet-Main (High Altitude) (Left Jet)
118A	BS-699733	1		Jet-Main (High Altitude) (Right Jet)
121	BS-792455	1	S	Kit-Carburetor Overhaul

Ref #	Part Number	Qty	S/P/F	Description
125	BS-796227	1		Carburetor (Primer System)
130	BS-690993	1		Valve-Throttle
131	BS-499805	1		Kit-Throttle Shaft
133	BS-699724	1		Float-Carburetor
135	BS-699729	1		Tube-Fuel Transfer
137	BS-690994	1		Gasket-Float Bowl
141	BS-796228	1		Kit-Choke Shaft
142	BS-699726	1		Nozzle-Carburetor
146	BS-690979	1	/P	Key-Timing
150	BS-690995	1		Gasket-Nozzle
163	BS-691001	1		Gasket-Air Cleaner
177	BS-691031	1	/P	Seal-O Ring (Dipstick)
186	BS-795985	1		Connector-Hose (Intake Manifold)
187	BS-791766	1	S	Line-Fuel (Cut to Required Length)
188	BS-697551	1		Screw (Control Bracket)
192	BS-690083	1		Adjuster-Rocker Arm
197	BS-697820	1		Screw (Back Plate)
209	BS-796224	1		Spring-Governor (Yellow/Black)
211	BS-796225	1		Spring-Governed Idle
212	BS-695238	1		Link-Throttle
216	BS-796229	1		Link-Choke
217	BS-695409	1		Spring-Choke Return
219	BS-793338	1	/P	Gear-Governor
220	BS-690412	1	/P	Washer (Governor Gear)
221	BS-841026	1		Cup-Governor
222	BS-796226	1		Bracket-Control
227	BS-796223	1		Lever-Governor Control
239	BS-792028	1		Switch-Oil Pressure
240	BS-695666	1	S	Filter-Fuel
250	BS-690957	1		Retainer-Breather
252	BS-794389	1		Collector-Oil
265	BS-691024	1	/P	Clamp-Casing
267	BS-695134	1		Screw (Casing Clamp)
276	BS-695410	1		Washer-Sealing
278	BS-792651	1		Washer (Governor Control Lever)
287	BS-691108	1	/P	Screw (Dipstick Tube)
304	BS-796678	1	S	Housing-Blower
305	BS-691005	1		Screw (Blower Housing)
305A	BS-790690	1		Screw (Blower Housing to Intake Elbow)
306	BS-796541	1		Shield-Cylinder (Cylinder #2)
307	BS-691003	1	/P	Screw (Cylinder Shield) (Short)
307A	BS-697551	1		Screw (Cylinder Shield) (Long)
309	BS-497595	1	/P	Motor-Starter
310	BS-690323	1		Screw (Starter Motor)
311	BS-497608	1	/P	Brush Set
332	BS-691059	1		Nut (Flywheel)
333	BS-691060	1	/P	Armature-Magneto
334	BS-691061	1		Screw (Magneto Armature)
337	BS-491055	1	S	Plug-Spark
358	BS-694012	1	/P	Gasket Set-Engine
385	BS-697551	1		Screw (Fuel Pump)
387	BS-808656	1	/P	Pump-Fuel
404	BS-690442	1		Washer (Governor Crank)

Ref #	Part Number	Qty	S/P/F	Description
415	BS-690283	1		Plug (Oil Pressure Switch Hole)
418	BS-795912	1		Plate-Carburetor
431	BS-792297	1		Elbow-Intake
445	BS-792105	1	/P	Filter-Air Cleaner Cartridge
447	BS-691003	1	/P	Screw (Air Guide Cover) (Short)
447A	BS-697551	1		Screw (Air Guide Cover) (Long)
467	BS-790697	1		Knob-Air Cleaner
474	BS-696457	1	/P	Alternator
501	BS-691188	1	S	Regulator
505	BS-691029	1		Nut (Governor Control Lever)
510	BS-696541	1	/P	Drive-Starter
513	BS-692024	1	/P	Clutch-Drive
523	BS-691036	1		Dipstick
524	BS-691032	1		Seal-Dipstick Tube
525	BS-691037	1		Tube-Dipstick
526	BS-691129	1	/P	Screw (Regulator)
544	N/A	1		Armature-Starter (Service with Starter Motor BS-497595, Ref No. 309)
552	BS-690552	1		Bushing-Governor Crank
552A	BS-690553	1		Bushing-Governor Crank
562	BS-690311	1		Screw (Governor Control Lever)
573	BS-790444	1		Plate-Back
579	BS-691029	1		Nut (Starter Cable)
601	BS-791850	1	/P	Clamp-Hose (Green)
601A	BS-691038	1		Clamp-Hose (Black)
615	BS-698290	1	/P	Retainer-Governor Shaft
616	BS-691045	1		Crank-Governor
617	BS-697891	1		Seal-O Ring (Intake Manifold) (Red)
628	BS-697551	1		Screw (Fuel Pump Bracket)
633	BS-699813	1		Seal-Choke/Throttle Shaft (Choke Shaft)
635	BS-66538S	1	/P	Boot-Spark Plug
654	BS-690958	1	/P	Nut (Carburetor)
668	BS-691215	1		Spacer (Rotating Screen)
668A	BS-691500	1	/P	Spacer (Rotating Screen)
672	BS-690234	1		Gasket-Carburetor Plate
691	BS-790574	1		Seal-Governor Shaft
697	BS-690372	1	S	Screw (Drive Cap)
703	BS-691010	1		Clip
718	BS-690959	1	/P	Pin-Locating
729	BS-694123	1		Clip-Wire
741	BS-690980	1		Gear-Timing
742	BS-690328	1	/P	Retainer-E Ring (Governor Crank)
750	BS-796208	1		Screw (Oil Pump Cover)
783	BS-695708	1	/P	Gear-Pinion
788	BS-793145	1		Bracket-Fuel Pump
789	BS-696576	1		Harness-Wiring
789A	BS-698330	1		Harness-Wiring
797	BS-693167	1		Nut (Brush Retainer)
798	BS-697890	1		Screw (Rocker Arm)
801	BS-691283	1		Cap-Drive
802	BS-691286	1	/P	Cap-End

Ref #	Part Number	Qty	S/P/F	Description
803	N/A	1		Housing-Starter (Service with Starter Motor BS-497595, Ref No. 309)
847	BS-499602	1		Dipstick/Tube Assembly
850	N/A	1		Sealant-Liquid (Liquid Sealant is Interchangeable with Rocker Cover Gasket and Breather Gasket)
851	BS-493880S	1	/P	Terminal-Spark Plug
865	BS-691012	1		Cover-Air Guide (Cylinder #1)
865A	BS-792286	1		Cover-Air Guide (Valley)
868	BS-690968	1	/P	Seal-Valve
877	BS-790544	1		Wire/Connector-Alternator
883	BS-690970	1	/P	Gasket-Exhaust
914	BS-691127	1	/P	Screw (Rocker Cover)
918	BS-793147	1		Hose-Vacuum
943	BS-796222	1		Seal-O Ring (Oil Pump Cover)
947	BS-841546	1		Solenoid-Fuel
965	BS-796221	1		Cover-Oil Pump
968	BS-795120	1	/P	Cover-Air Cleaner
975	BS-793592	1		Bowl-Float
987	BS-691000	1		Seal-Throttle Shaft
1005	BS-791236	1		Fan-Flywheel
1013	BS-690954	1	/P	Nipple-Oil Filter
1017	BS-796124	1		Screen-Oil Pump
1022	BS-690971	1	/P	Gasket-Rocker Cover
1023	BS-793146	1		Cover-Rocker (Cylinder #1)
1023A	BS-499600	1		Cover-Rocker (Cylinder #2)
1024	BS-796220	1		Pump-Oil
1026	BS-690981	1	/P	Rod-Push (Steel)
1026A	BS-690982	1	/P	Rod-Push (Aluminum)
1027	BS-795890	1	S	Filter-Oil
1029	BS-690972	1		Arm-Rocker
1036	N/A	1		Label-Emissions (Available from Briggs & Stratton)
1040	BS-791237	1		Plate-Trim
1051	BS-691265	1	/P	Ring-Retaining (Starter Drive)
1054	BS-280275	1		Tie-Cable
1059	BS-698516	1		Kit-Screw/Washer (Alternator)
1070	BS-791680	1	/P	Screw (Flywheel Fan)
1090	BS-691293	1	/P	Retainer-Brush
1095	BS-694013	1	/P	Gasket Set-Valve
1100	BS-791959	1		Pivot-Rocker Arm
1119	BS-691183	1	S	Screw (Alternator)
1123	BS-841653	1		Seal-O Ring (Solenoid Retainer)
1124	BS-841653	1		Seal-O Ring (Fuel Transfer Tube)
1126	BS-690991	1		Screw (Fuel Transfer Tube)
1127	BS-695407	1		Screw (Fuel Bowl)
1128	BS-690990	1		Screw (Carburetor Nozzle)
1169	BS-690990	1		Screw (Carburetor Cover Plate)
	BS-44Q777-0037	1	S	Replacement Engine Not shown
	BS-698172	1	/P	Short Block Not shown

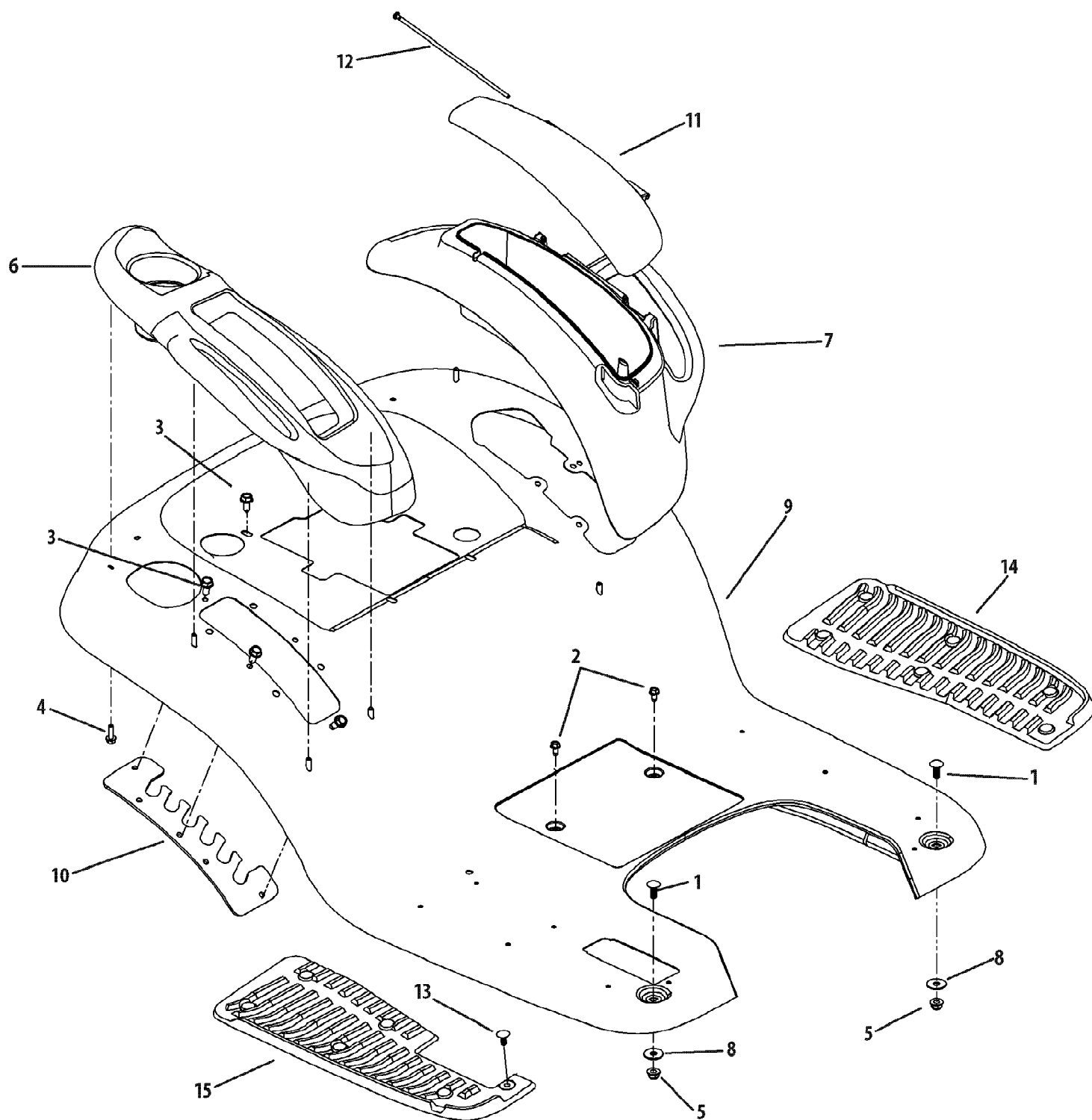


Ref #	Part Number	Qty	S/P/F	Description
1	BS-793564	1		Cylinder Assembly
2	BS-499585	1		Kit-Bushing/Seal (Magneto Side)
3	BS-391086S	1	/P	Seal-Oil (Magneto Side)
4	BS-796230	1	S	Sump-Engine
5	BS-796270	1		Head-Cylinder (Cylinder #1)
5A	BS-796271	1		Head-Cylinder (Cylinder #2)
7	BS-693997	1	/P	Gasket-Cylinder Head
8	BS-792185	1	/P	Breather Assembly
9	BS-690937	1		Gasket-Breather
10	BS-697551	1		Screw (Breather Assembly)
11	BS-792184	1	/P	Tube-Breather
12	BS-697227	1	/P	Gasket-Crankcase
13	BS-793988	1		Screw (Cylinder Head)
15	BS-690946	1	/P	Plug-Oil Drain
16	BS-796540	1		Crankshaft
20	BS-795387	1	/P	Seal-Oil (PTO Side)
22	BS-694966	1	/P	Screw (Crankcase Cover/Sump)
23	BS-691053	1		Flywheel
24	BS-222698S	1	/P	Key-Flywheel
25	BS-793560	1		Piston Assembly (Standard)
25	BS-793563	1		Piston Assembly (.020" Oversize)
26	BS-793561	1		Ring Set (Standard)
26	BS-792073	1		Ring Set (.020" Oversize)
27	BS-690975	1		Lock-Piston Pin
28	BS-696581	1		Pin-Piston
29	BS-796209	1	/P	Rod-Connecting
32	BS-690976	1		Screw (Connecting Rod)
33	BS-793557	1		Valve-Exhaust
34	BS-793556	1		Valve-Intake
35	BS-694865	1		Spring-Valve (Intake)
36	BS-694865	1		Spring-Valve (Exhaust)
40	BS-690964	1	S	Retainer-Valve
42	BS-499586	1	/P	Keeper-Valve
45	BS-690977	1	/P	Tappet-Valve
46	BS-792555	1		Gear-Cam
50	BS-695241	1	/P	Manifold-Intake
51	BS-795123	1		Gasket-Intake
51A	BS-690950	1		Gasket-Intake
53	BS-690951	1		Stud (Carburetor)
54	BS-699816	1		Screw (Intake Manifold)
73	BS-494439S	1	/P	Screen-Rotating
74	BS-698425	1		Screw (Rotating Screen)
75	BS-691056	1		Washer (Flywheel)
95	BS-690718	1		Screw (Throttle Valve)
98	BS-699721	1		Kit-Idle Speed
104	BS-694918	1		Pin-Float Hinge
105	BS-698537	1		Valve-Float Needle
108	BS-699723	1		Valve-Choke
117	BS-792296	1		Jet-Main (Standard) (Left Jet)
117A	BS-842627	1		Jet-Main (Standard) (Right Jet)
118	BS-699457	1		Jet-Main (High Altitude) (Left Jet)
118A	BS-699733	1		Jet-Main (High Altitude) (Right Jet)
121	BS-792455	1	S	Kit-Carburetor Overhaul

Ref #	Part Number	Qty	S/P/F	Description
125	BS-796227	1		Carburetor (Primer System)
130	BS-690993	1		Valve-Throttle
131	BS-499805	1		Kit-Throttle Shaft
133	BS-699724	1		Float-Carburetor
135	BS-699729	1		Tube-Fuel Transfer
137	BS-690994	1		Gasket-Float Bowl
141	BS-796228	1		Kit-Choke Shaft
142	BS-699726	1		Nozzle-Carburetor
146	BS-690979	1	/P	Key-Timing
150	BS-690995	1		Gasket-Nozzle
163	BS-691001	1		Gasket-Air Cleaner
177	BS-691031	1	/P	Seal-O Ring (Dipstick)
186	BS-795985	1		Connector-Hose (Intake Manifold)
187	BS-791766	1	S	Line-Fuel (Cut to Required Length)
188	BS-697551	1		Screw (Control Bracket)
192	BS-690083	1		Adjuster-Rocker Arm
197	BS-697820	1		Screw (Back Plate)
209	BS-796224	1		Spring-Governor (Yellow/Black)
211	BS-796225	1		Spring-Governed Idle
212	BS-695238	1		Link-Throttle
216	BS-796229	1		Link-Choke
217	BS-695409	1		Spring-Choke Return
219	BS-793338	1	/P	Gear-Governor
220	BS-690412	1	/P	Washer (Governor Gear)
221	BS-841026	1		Cup-Governor
222	BS-796226	1		Bracket-Control
227	BS-796223	1		Lever-Governor Control
239	BS-792028	1		Switch-Oil Pressure
240	BS-695666	1	S	Filter-Fuel
250	BS-690957	1		Retainer-Breather
252	BS-794389	1		Collector-Oil
265	BS-691024	1	/P	Clamp-Casing
267	BS-695134	1		Screw (Casing Clamp)
276	BS-695410	1		Washer-Sealing
278	BS-792651	1		Washer (Governor Control Lever)
287	BS-691108	1	/P	Screw (Dipstick Tube)
304	BS-796678	1	S	Housing-Blower
305	BS-691005	1		Screw (Blower Housing)
305A	BS-790690	1		Screw (Blower Housing to Intake Elbow)
306	BS-796541	1		Shield-Cylinder (Cylinder #2)
307	BS-691003	1	/P	Screw (Cylinder Shield) (Short)
307A	BS-697551	1		Screw (Cylinder Shield) (Long)
309	BS-497595	1	/P	Motor-Starter
310	BS-690323	1		Screw (Starter Motor)
311	BS-497608	1	/P	Brush Set
332	BS-691059	1		Nut (Flywheel)
333	BS-691060	1	/P	Armature-Magneto
334	BS-691061	1		Screw (Magneto Armature)
337	BS-491055	1	S	Plug-Spark
358	BS-694012	1	/P	Gasket Set-Engine
385	BS-697551	1		Screw (Fuel Pump)
387	BS-808656	1	/P	Pump-Fuel
404	BS-690442	1		Washer (Governor Crank)

Ref #	Part Number	Qty	S/P/F	Description
415	BS-690283	1		Plug (Oil Pressure Switch Hole)
418	BS-795912	1		Plate-Carburetor
431	BS-792297	1		Elbow-Intake
445	BS-792105	1	/P	Filter-Air Cleaner Cartridge
447	BS-691003	1	/P	Screw (Air Guide Cover) (Short)
447A	BS-697551	1		Screw (Air Guide Cover) (Long)
467	BS-790697	1		Knob-Air Cleaner
474	BS-696457	1	/P	Alternator
501	BS-691188	1	S	Regulator
505	BS-691029	1		Nut (Governor Control Lever)
510	BS-696541	1	/P	Drive-Starter
513	BS-692024	1	/P	Clutch-Drive
523	BS-691036	1		Dipstick
524	BS-691032	1		Seal-Dipstick Tube
525	BS-691037	1		Tube-Dipstick
526	BS-691129	1	/P	Screw (Regulator)
544	N/A	1		Armature-Starter (Service with Starter Motor BS-497595, Ref No. 309)
552	BS-690552	1		Bushing-Governor Crank
552A	BS-690553	1		Bushing-Governor Crank
562	BS-690311	1		Screw (Governor Control Lever)
573	BS-790444	1		Plate-Back
579	BS-691029	1		Nut (Starter Cable)
601	BS-791850	1	/P	Clamp-Hose (Green)
601A	BS-691038	1		Clamp-Hose (Black)
615	BS-698290	1	/P	Retainer-Governor Shaft
616	BS-691045	1		Crank-Governor
617	BS-697891	1		Seal-O Ring (Intake Manifold) (Red)
628	BS-697551	1		Screw (Fuel Pump Bracket)
633	BS-699813	1		Seal-Choke/Throttle Shaft (Choke Shaft)
635	BS-66538S	1	/P	Boot-Spark Plug
654	BS-690958	1	/P	Nut (Carburetor)
668	BS-691215	1		Spacer (Rotating Screen)
668A	BS-691500	1	/P	Spacer (Rotating Screen)
672	BS-690234	1		Gasket-Carburetor Plate
691	BS-790574	1		Seal-Governor Shaft
697	BS-690372	1	S	Screw (Drive Cap)
703	BS-691010	1		Clip
718	BS-690959	1	/P	Pin-Locating
729	BS-694123	1		Clip-Wire
741	BS-690980	1		Gear-Timing
742	BS-690328	1	/P	Retainer-E Ring (Governor Crank)
750	BS-796208	1		Screw (Oil Pump Cover)
783	BS-695708	1	/P	Gear-Pinion
788	BS-793145	1		Bracket-Fuel Pump
789	BS-696576	1		Harness-Wiring
789A	BS-698330	1		Harness-Wiring
797	BS-693167	1		Nut (Brush Retainer)
798	BS-697890	1		Screw (Rocker Arm)
801	BS-691283	1		Cap-Drive
802	BS-691286	1	/P	Cap-End

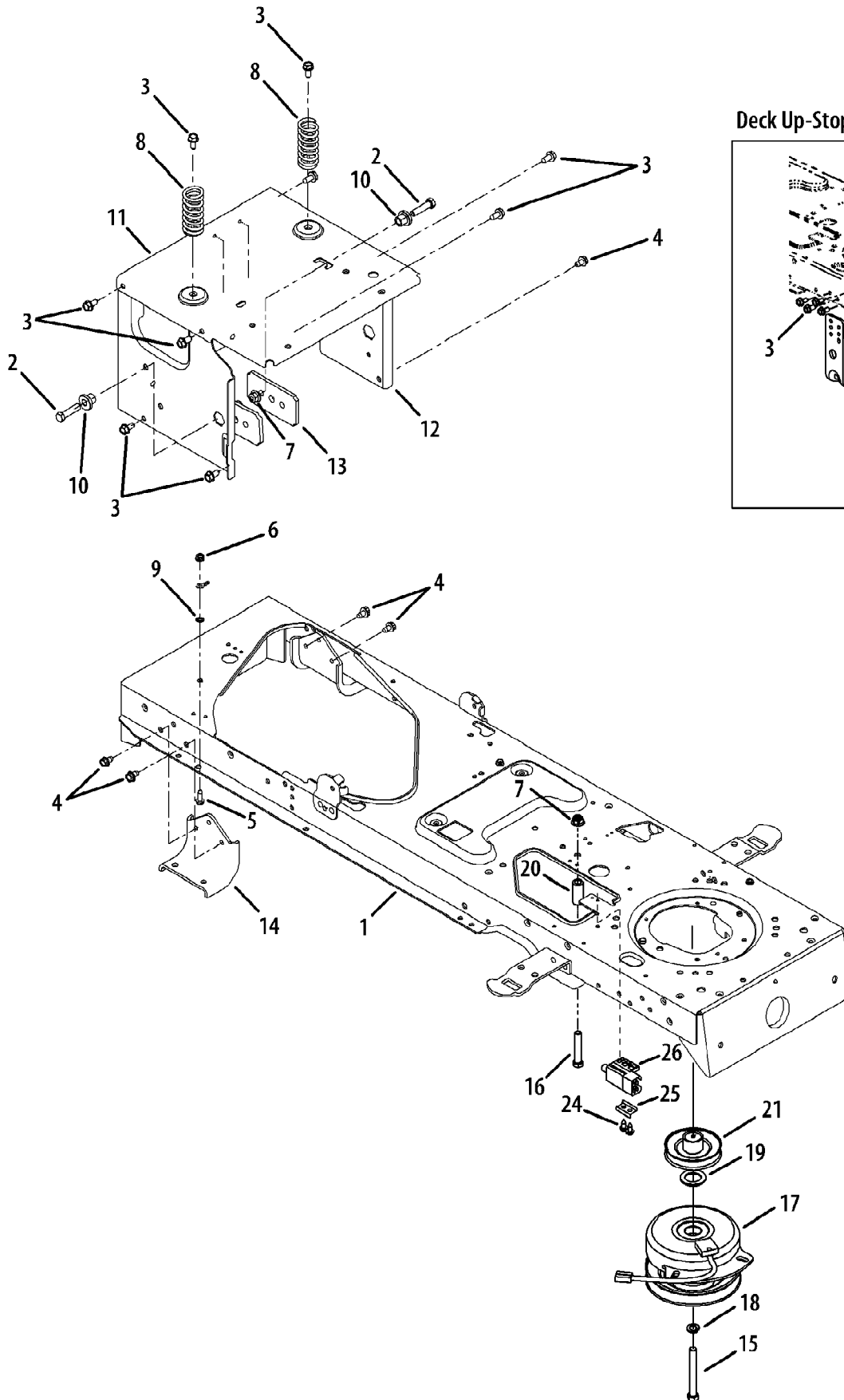
Ref #	Part Number	Qty	S/P/F	Description
803	N/A	1		Housing-Starter (Service with Starter Motor BS-497595, Ref No. 309)
847	BS-499602	1		Dipstick/Tube Assembly
850	N/A	1		Sealant-Liquid (Liquid Sealant is Interchangeable with Rocker Cover Gasket and Breather Gasket)
851	BS-493880S	1	/P	Terminal-Spark Plug
865	BS-691012	1		Cover-Air Guide (Cylinder #1)
865A	BS-792286	1		Cover-Air Guide (Valley)
868	BS-690968	1	/P	Seal-Valve
877	BS-790544	1		Wire/Connector-Alternator
883	BS-690970	1	/P	Gasket-Exhaust
914	BS-691127	1	/P	Screw (Rocker Cover)
918	BS-793147	1		Hose-Vacuum
943	BS-796222	1		Seal-O Ring (Oil Pump Cover)
947	BS-841546	1		Solenoid-Fuel
965	BS-796221	1		Cover-Oil Pump
968	BS-795120	1	/P	Cover-Air Cleaner
975	BS-793592	1		Bowl-Float
987	BS-691000	1		Seal-Throttle Shaft
1005	BS-791236	1		Fan-Flywheel
1013	BS-690954	1	/P	Nipple-Oil Filter
1017	BS-796124	1		Screen-Oil Pump
1022	BS-690971	1	/P	Gasket-Rocker Cover
1023	BS-793146	1		Cover-Rocker (Cylinder #1)
1023A	BS-499600	1		Cover-Rocker (Cylinder #2)
1024	BS-796220	1		Pump-Oil
1026	BS-690981	1	/P	Rod-Push (Steel)
1026A	BS-690982	1	/P	Rod-Push (Aluminum)
1027	BS-795890	1	S	Filter-Oil
1029	BS-690972	1		Arm-Rocker
1036	N/A	1		Label-Emissions (Available from Briggs & Stratton)
1040	BS-791237	1		Plate-Trim
1051	BS-691265	1	/P	Ring-Retaining (Starter Drive)
1054	BS-280275	1		Tie-Cable
1059	BS-698516	1		Kit-Screw/Washer (Alternator)
1070	BS-791680	1	/P	Screw (Flywheel Fan)
1090	BS-691293	1	/P	Retainer-Brush
1095	BS-694013	1	/P	Gasket Set-Valve
1100	BS-791959	1		Pivot-Rocker Arm
1119	BS-691183	1	S	Screw (Alternator)
1123	BS-841653	1		Seal-O Ring (Solenoid Retainer)
1124	BS-841653	1		Seal-O Ring (Fuel Transfer Tube)
1126	BS-690991	1		Screw (Fuel Transfer Tube)
1127	BS-695407	1		Screw (Fuel Bowl)
1128	BS-690990	1		Screw (Carburetor Nozzle)
1169	BS-690990	1		Screw (Carburetor Cover Plate)
	BS-44Q777-0037	1	S	Replacement Engine Not shown
	BS-698172	1	/P	Short Block Not shown



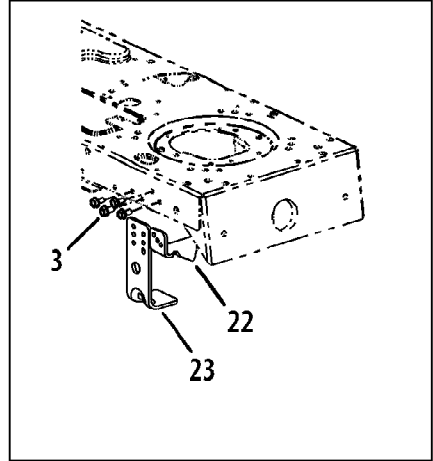
GT1554VT Tractor
Fender

Page 43 of 70

Ref #	Part Number	Qty	S/P/F	Description
1	710-0451	1	/P	Bolt, Carriage, 5/16-18 x .750
2	710-0599	1	/P	Screw, Hex Washer, 1/4-20 x .500
3	710-04484	1		Screw, Hex Washer, 5/16-18 x .750
4	710-0895	1		Screw, Hex Washer, 1/4-15 x .750
5	712-04063	1	/P	Nut, Flange Lock, 5/16-18
6	731-06700	1		Cover, Fender RH
7	731-06676	1		Cover, Fender LH
8	736-3078	1	/P	Washer, Flat, .344 x 1.0 x .063
9	783-06250-4021	1		Fender, A-Style
10	783-0677B-0637	1	/P	Bracket, Lift Adjust
11	731-06584	1		Door, Fender Cover
12	747-05039	1		Pin, Pod Door
13	726-3046	1	/P	Clip, Ratchet
14	735-0697A	1		Pad, Foot LH
15	735-0698B	1		Pad, Foot RH



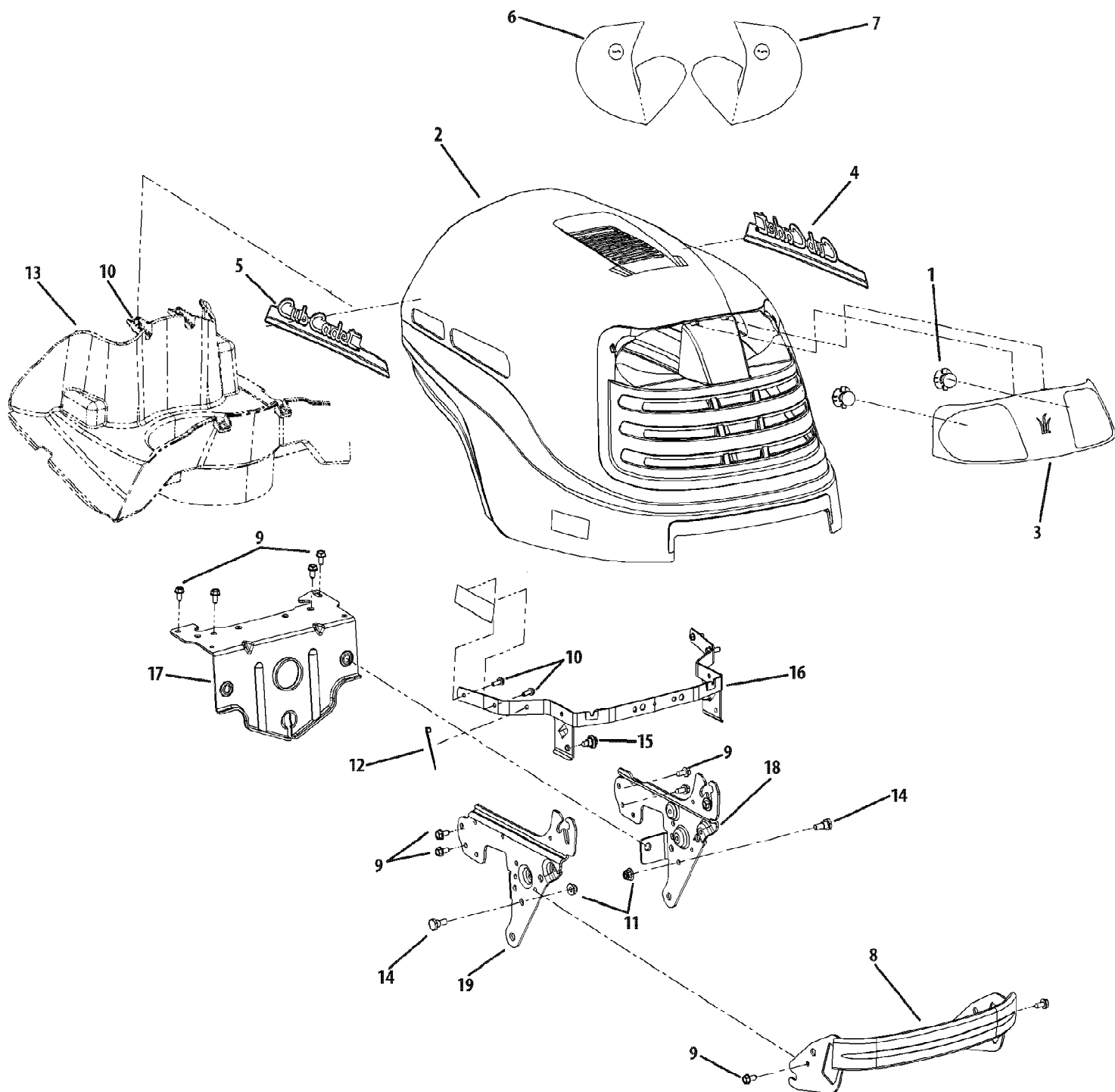
Deck Up-Stop & Clutch Bracket



GT1554VT Tractor
Frame & Electric PTO Clutch

Page 45 of 70

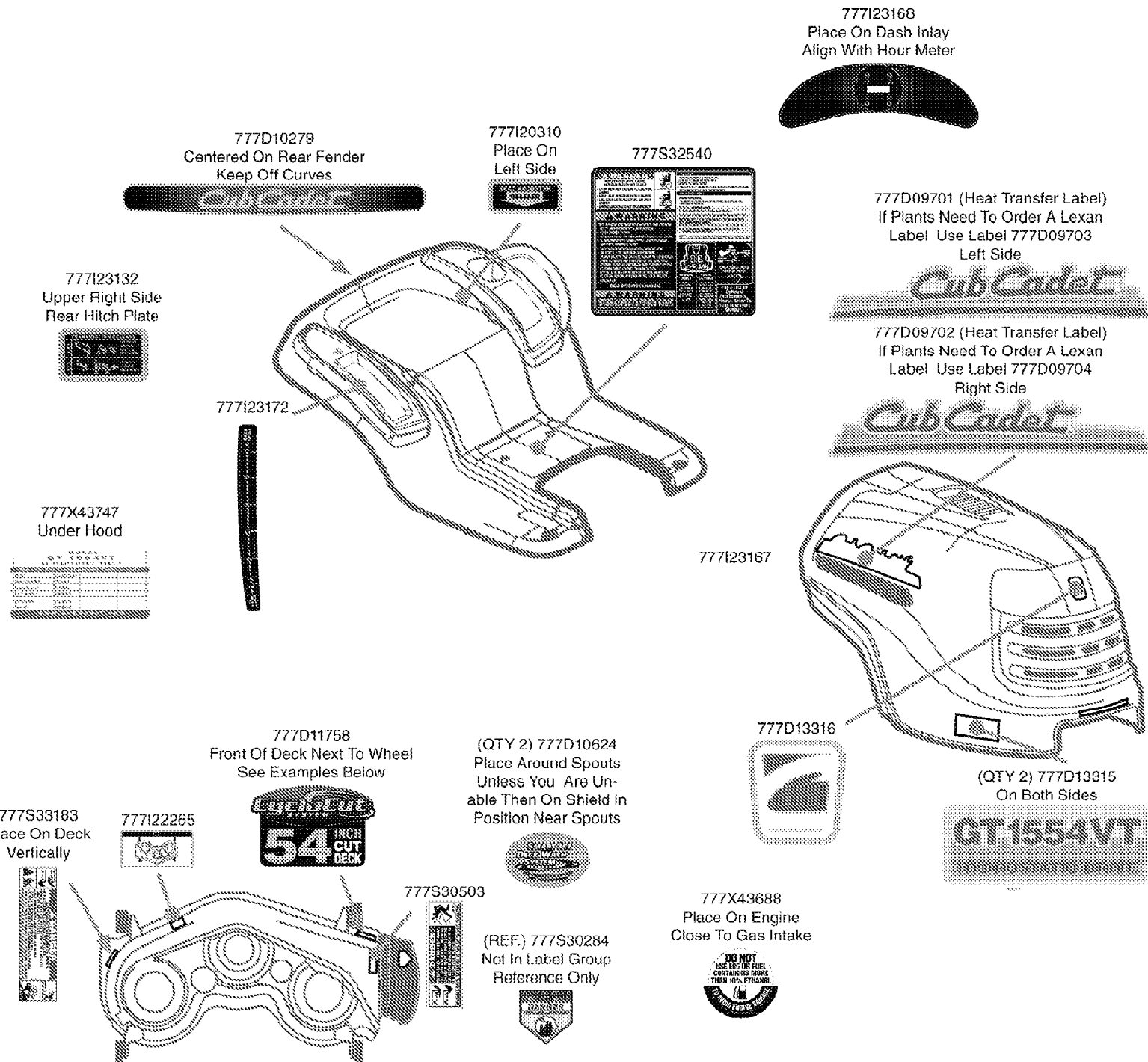
Ref #	Part Number	Qty	S/P/F	Description
1	683-04173B-0637	1	/P	Frame Assembly, Lower
2	710-0520	1	/P	Hex Screw 3/8-16 x 1.25
3	710-04484	1		Screw, Self-tapping, 5/16-18, 0.75
4	710-0607	1	/P	Screw, Hex Wash. Tapp, 5/16-18 x .5
5	710-0642	1	/P	Screw, Hex Wash., 1/4-20 x 0.750
6	712-04064	1	/P	Nut, Nylon Lock, 1/4-20
7	712-04065	1	/P	Nut, Nylon Lock, 3/8-16
8	732-04561	1		Spring, Compression, 1.71 x .3735 x 2.38
9	936-0222	1	/P	Washer, Lock, Ext. 1/4
10	738-04058	1		Shoulder Spacer
11	783-06089-0637	1		Bracket, Frame, Seat
12	783-04811C-0637	1	/P	Frame, Upper
13	783-05005-0637	1		Support Plate
14	783-0693-0637	1		Axle Bracket
15	710-04379A	1		Screw, Hex Cap , 7/16-20 x 3.5 GR5
16	710-3011	1	/P	Screw, 3/8-16 x 2.25 GR5
17	917-1774C	1	/P	Clutch, PTO
18	936-0171	1	/P	Washer, Lock, 7/16, Regular Duty
19	736-0277	1		Washer, Flat, 1.031 x 1.62 x .095
20	748-0415B	1	/P	Spacer, 3/8 x 1.54
21	756-0978B	1	/P	Electric PTO Engine Pulley
22	783-04419B-0637	1	/P	Clutch Bracket
23	783-04467-0637	1	/P	Deck Up-stop Bracket
24	910-0224	1	/P	Screw, #10 - 16, x .500
25	17962	1		Switch Mounting Plate
26	925-04039	1	/P	Interlock Switch



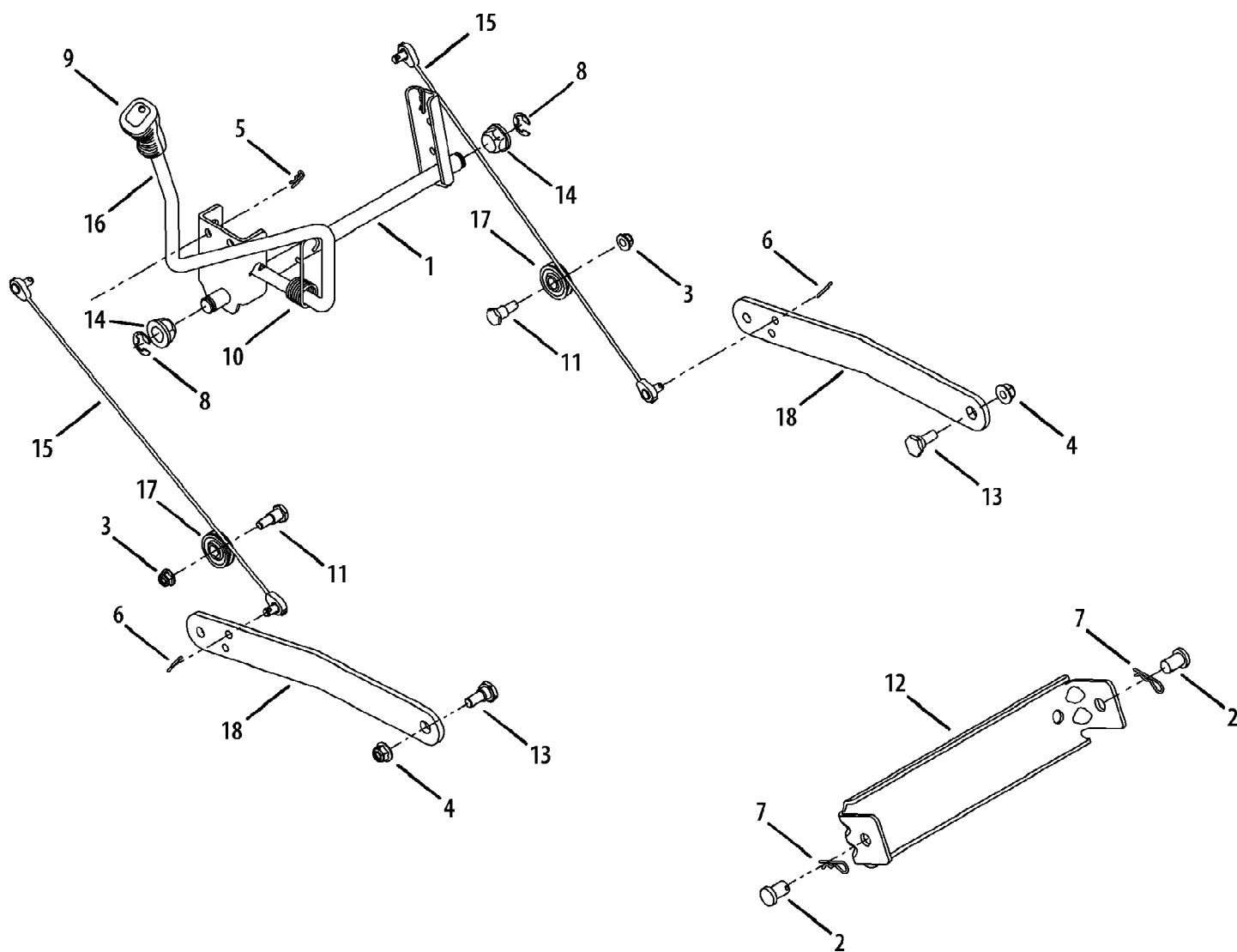
GT1554VT Tractor
Hood & Grille

Page 47 of 70

Ref #	Part Number	Qty	S/P/F	Description
1	N/A	1		Socket Assembly
1	925-0963	1	/P	Miniature Lamp, 12V
1	925-1649	1	/P	Lamp Socket
2	931-04567A	1	/P	Hood Cub 1000
3	931-04577	1	/P	Lens, Cub 1000 Headlight
4	N/A	1		Label LH, Cub 1000 Heat See Label Map
5	N/A	1		Label RH, Cub 1000 Heat See Label Map
6	777X41562	1		Label, Cub 1000 Right Lens
7	777X41563	1		Label, Cub 1000 Left Lens
8	683-04238-0637	1	/P	Bumper Assembly
9	710-04484	1		Screw, Hex Washer, 5/16-18 x .750
10	710-0895	1		Screw, Hex Washer, 1/4-15 x .750
11	712-04065	1	/P	Nut, Flange Lock, 3/8-16
12	725-0157	1	/P	Tie, Cable
13	731-04569A	1	/P	Plenum, Hood
14	738-0143	1	/P	Bolt, Shoulder, 3/8-16 x .496 x .336
15	738-04091A	1	/P	Screw, Shoulder, 5/16-18 x .43 x .29
16	783-04606C-0637	1	/P	Bracket, Hood Pivot
17	783-05326-0637	1	/P	Bracket, Pivot Bar
18	783-05417-0637	1		Bracket, Pivot Support LH
19	783-05418-0637	1		Bracket, Pivot Support RH



Ref #	Part Number	Qty	S/P/F	Description
777D10279	777D10279	1		LABEL-REAR FENDER
777I23132	777I23132	1		LABEL-HYDRO RELEASE
777I23172	777I23172	1		LABEL-DECK HEIGHT
777X43747	777X43747	1		LABEL-PARTS LIST GT 1554VT
777D11758	777D11758	1		LABEL-CYCLO CUT 54"
777I22265	777I22265	1		LABEL-BELT ROUTE
777S33183	777S33183	1		LABEL-DECK SAFETY
777S30503	777S30503	1	/P	LABEL-DANGER CHUTE
777S30284	977S30145	1	/P	LABEL
777X43688	777X43688	1		LABEL-ETHANOL
777D10624	777D10624	1		LABEL-RIDER:DECK WASH CUB
777D13315	777D13315	1		LBL-MODEL GT 1554VT
777D13316	777D13316	1		LABEL-C LOGO HDLT LENS
777I23167	777I23167	1		LABEL-THROTT/CHOKE
777D09704	777D09704	1		LABEL-RGT SIDE HOOD
777D09703	777D09703	1		LABEL-LFT SIDE HOOD
777I23168	777I23168	1		LABEL-DASH PANEL
777S32540	777S32540	1		LABEL:RIDER SAFETY
777I20310	777I20310	1		LABEL-SEAT ADJUSTE



Ref #	Part Number	Qty	S/P/F	Description
1	683-04301-0637	1	/P	Shaft Assembly, Lift (54" Deck)
2	911-0332	1	/P	Pin, Clevis, .50 Dia x .78 Lg
3	712-04063	1	/P	Nut, Nylon Lock, 5/16-18, Gr5
4	712-04065	1	/P	Nut, Nylon Lock, 3/8-16
5	914-0104	1	/P	Pin, Cotter, .072 Dia. x 1.13 Lg
6	914-0111	1	/P	Pin, Cotter, 3/32, 1.0
7	914-04023	1	/P	Pin, Click, .092 x 1.64 Lg
8	716-0106A	1		E-ring, .625 Dia. Shaft
9	720-0311	1		Grip, Handle
10	732-0874	1	/P	Spring, Torsion
11	738-0138A	1	/P	Screw, Hex Cap, 5/16-18x.620 Gr2
12	783-0720C-0637	1	/P	Bracket, Deck
13	938-0380	1	/P	Shldr. Screw, 3/8-16
14	941-0225	1	/P	Bearing, Hex Flange
15	746-0968	1		Cable, Lift, 16.16 Lg
16	747-04447	1		Handle, Lift
17	756-1154	1		Pulley, Roller
18	783-05546-0637	1	S	Arm, Lift

GT1554VT Tractor
Mowing Deck 54-Inch

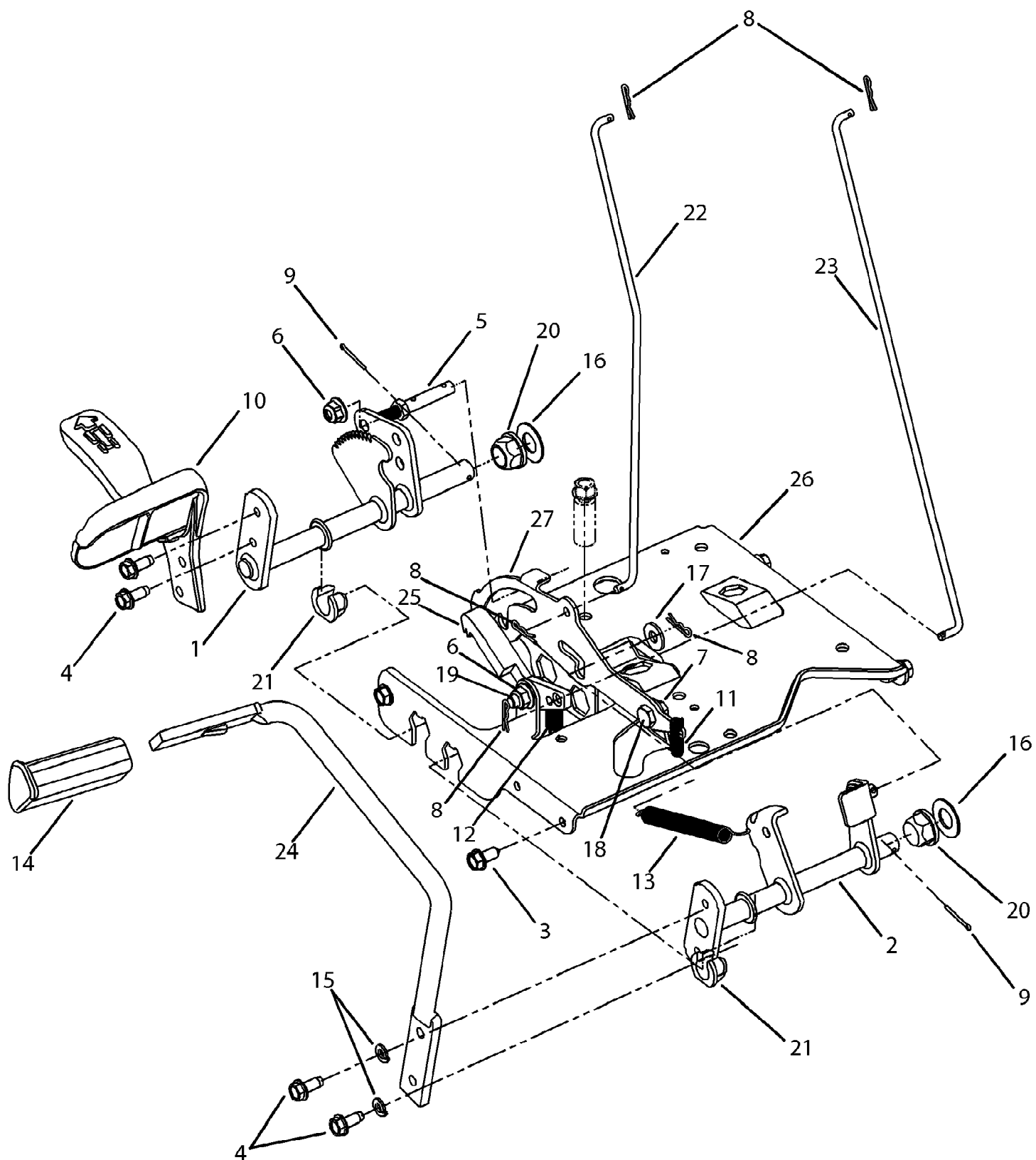
Page 53 of 70

Ref #	Part Number	Qty	S/P/F	Description
1	12650-0637	1		Bracket, Adjustment, Height
2	96606	1	/P	Bracket, Hook, Retainer
3	918-0671B	1	S	Spindle Assembly, Pulley, 5.39 Dia.
4	683-0254B-4021	1		Bracket Assembly, Deck, Hanger LH
5	983-04483-4021	1	/P	Deck Shell Assembly, 54"
6	683-0459-0637	1		Idler Assembly, 54"
7	703-2093-0637	1	/P	Baffle
8	703-3279-4021	1		Stop Assembly, Chute
9	710-04095	1		Hex Screw, 3/8-16, 1.00
10	710-04484	1		Screw, Self-tapping, 5/16-18, 7.50
11	710-0521	1	/P	Hex Screw, 3/8-16, 3.00
12	710-0528	1	/P	Hex Screw, 5/16-18, 1.25, Gr5,
13	710-0599	1	/P	Screw, Hex, 1/4-20, 0.500
14	710-0623	1	/P	Screw, Self-tapping, 3/8-16, 7.50
15	710-0859	1	/P	Screw, Self-tapping, 3/8-16, 2.50
16	710-3103	1	/P	Screw, Self-tapping, 5/16-18, 2.000
17	710-3168	1	/P	Bolt, Carriage, 3/8-16 x 1.0
18	710-3178	1	/P	Short Neck Carriage Bolt
19	911-0332	1	/P	Pin, Clevis, .50 Dia x .78
20	711-1737	1		Pin, Roller, .5" Dia x 10.06 .
21	912-0206	1	/P	Nut, Hex Lock, 1/2-13
22	712-0229	1		Push Nut, 3/8
23	712-04063	1	/P	Nut, Flange Lock, 5/16-18, Gr5
24	712-04065	1	/P	Nut, Flange Lock, 3/8-16
25	712-0417A	1	/P	Nut, Hex Flange, 5/8-18
26	912-0641	1	/P	Hex Nut, M-16 x 1.5
27	912-3010	1	/P	Nut, Hex, 5/16-18, Gr5
28	712-3022	1	/P	Nut, Hex Lock, 1/2-13
29	712-3083	1	/P	Nut, Hex Lock, 1/2-13
30	914-0111	1	/P	Pin, Cotter, 3/32 x 1.00
31	914-0145	1	/P	Pin, Click, .092 x 1.64
32	714-0162	1	/P	Pin, Click, 5/32 x 1.25
33	914-0470	1	/P	Pin, Cotter, 1/8 x 1.25
34	715-0108	1	/P	Pin, Sprg, 1/4 Dia x 1.00
35	917-04074	1	/P	Adjustment, Deck, Gear
36	921-04041	1	/P	Hose Coupler
37	731-0335	1		Roller, Deck
38	731-05679	1		Front Roller
39	932-0306A	1	/P	Spring, Compression, .531 x 1.75
40	732-0459C	1	/P	Spring, Extension, .94 Dia x 6.74
41	732-0971	1		Spring, Extension, Deck Lift Assist
42	734-04155	1		Deck Wheel, 5" Dia.
43	936-0119	1	/P	Washer, Lock, 5/16, Regular Duty
44	736-0225	1	/P	Lock Washer, 5/8
45	936-0300	1	/P	Flat Washer, .406 x .875 x .059
46	936-0921	1	/P	Washer, Lock, 1/2 , Regular Duty
47	737-04003D	1	/P	Water Port
48	738-0295	1		Shoulder Screw, .750 x .47 x .12
49	738-1229A	1	/P	Shoulder Screw, 5/8 Dia x 2.50
50	938-3056	1	/P	Shoulder Screw, 1/2 Dia x 2.50
51	942-0677B	1	/P	Blade, 18.50"
52	747-04938	1		Belt Keeper Rod
53	747-1116	1	/P	Deck Release Handle Rod, .375 Dia

GT1554VT Tractor
Mowing Deck 54-Inch

Page 54 of 70

Ref #	Part Number	Qty	S/P/F	Description
54	747-1324	1		Adjustable Front Deck Rod
55	950-0151	1	/P	Spacer .550 ID x .755 OD x 1.1
56	950-0212	1	/P	Spacer, .82 ID x 1.00 OD x .53
57	750-04597	1		Spacer, .380 x .90 x 1.313
58	750-0933	1		Spacer, .385 x .88 x .64
59	954-0642	1	/P	Belt, V-Type, B Section
60	756-04129	1	S	Pulley, Idler, 4.25 Dia.
61	631-04070A	1	/P	Deflector Assembly, Chute
62	783-04013A-0637	1	/P	Pulley Stabilizer Bracket
63	783-04462	1		Lift Bracket
64	783-04690B-0637	1	/P	Skirt, Deck
65	783-04726-0637	1		Bracket, Stationary Idler
66	783-1470A-4021	1		Cover, Spindle RH
67	783-1471-4021	1		Cover, Spindle LH
68	738-1197	1		Shaft, Spindle, 6.95
69	750-1000	1		Spacer, .800 x 1.10 x 1.322
70	750-1349A	1	/P	Spacer, 79 x 1.84 x .55
71	941-0919	1	/P	Ball Bearing, .787 x 1.85 x .551
72	937-3000	1	/P	Lube Fitting, 3/16
73	748-0160A	1		Spacer, .790 x 1.25 x .175
74	756-04216	1		Pulley, 5.39"



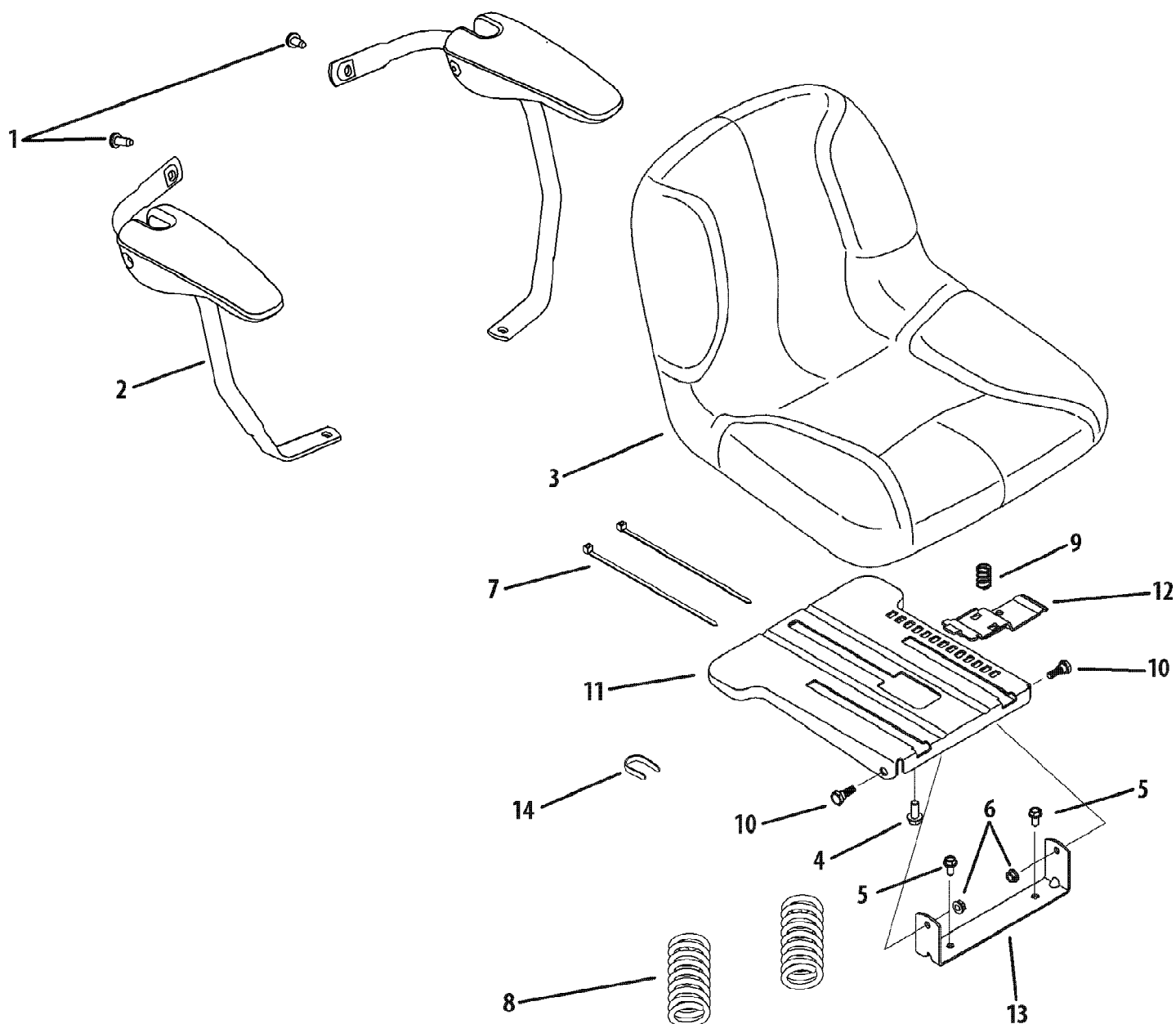
GT1554VT Tractor
Pedal Assembly

Page 56 of 70

Ref #	Part Number	Qty	S/P/F	Description
1	647-0049A-0637	1	/P	Control Assembly, Hydro
2	647-04100-0637	1	/P	Control Assembly, Brake
3	710-04484	1		Screw, Self-tapping, 5/16-18, 0.75
4	710-1260A	1	/P	Screw, Self-tapping, 5/16-18, 0.75
5	711-04159B	1		Pin, 3/8-16, 3/8 x 2.68
6	712-04065	1	/P	Nut, Nylon Lock, 3/8-16
7	712-3004A	1	/P	Nut, Flange Lock, 5/16-18, Gr5
8	914-0104	1	/P	Pin, Cotter, .072 Dia. x 1.13 Lg
9	914-0111	1	/P	Pin, Cotter, 3/32, 1.0
10	719-0584B-0637	1	/P	Pedal, Hydro Control
11	732-0335	1		Spring, Compression, .405 x 1.17
12	732-0955	1		Spring, Extension, .50 OD x 1.41 Lg
13	732-0963	1		Spring, Extension, .50 Dia x 6.37 Lg
14	735-3049A	1	/P	Pad, Brake, Control
15	936-0119	1	/P	Washer, Lock, 5/16
16	736-0187	1	/P	Washer, Flat .64 x 1.24 x .06
17	736-0262	1	/P	Washer, Flat, .385 x .870 x .092
18	938-0155	1	/P	Shoulder, Screw .437
19	938-0380	1	/P	Shoulder, Screw 3/8-16
20	941-0225	1	/P	Bearing, Hex Flange
21	741-3065B	1	/P	Bearing, Hex Flange, .628 ID, Split
22	747-04093A	1		Rod, Control, Brake Lock
23	747-04096	1		Rod, Control, Cruise
24	747-04641A-0637	1	/P	Pedal, Brake
25	748-04039C	1		Latch, Cruise
26	783-04612-0637	1	/P	Bracket, Support, Steering
27	783-0663E	1	/P	Bracket, Lockout, Hydro



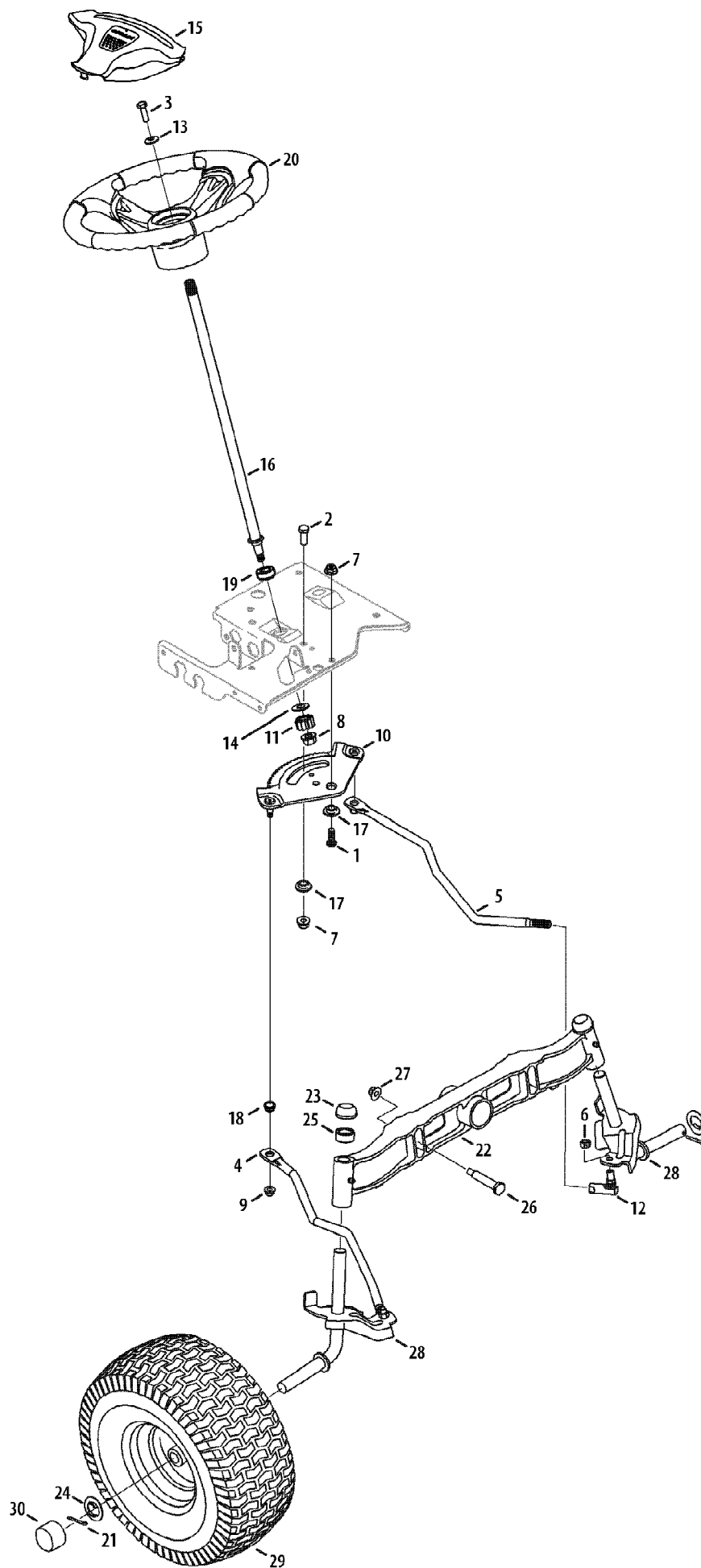
Ref #	Part Number	Qty	S/P/F	Description
	759-3336	1	/P	Spark Plug
	BS-792105	1	/P	Air Filter & Pre-Cleaner
	BS-795890	1	S	Oil Filter
	BS-691035	1	/P	Fuel Filter
	BS-691060	1	/P	Ignition Module
	BS-794360	1	/P	Voltage Regulator
	BS-808656	1	/P	Fuel Pump
	BS-796227	1		Carburetor
	BS-792455	1	S	Carb Kit Overhaul
	BS-841546	1		Carburetor Solenoid
	954-0461	1	/P	Drive Belt (Trans)
	N/A	1		P.T.O. / Deck Belt
	954-0642	1	/P	Deck Belt
	942-0677B	1	/P	Blades (Qty 3 used)
	712-0417A	1	/P	Blade Nut
	918-0671B	1	S	Spindle Assy. w/Pulley
	734-04155	1		Deck Wheels (Front)
	N/A	1		Deck Wheels (Back)
	737-04003D	1	/P	Water Nozzle Adapter
	923-0448A	1	/P	Ball Joints
	925-04039	1	/P	Brake Switch
	751-0603A	1	/P	Fuel Cap
	925-2054A	1	/P	Ignition Keys
	925-04227B	1	/P	Ignition Switch Module
	725-04258	1	/P	P.T.O. Switch
	917-1774C	1	/P	P.T.O. Clutch
	725-04862	1		Wire Harness
	19A40002OEM	1	/P	Bagger Attachment
	190-841-190	1		Mulch 54" Attachment
	190-679-101	1		Bumper, Universal (single tube) Attachment
	683-04218-0637	1	/P	Bumper, 1500 (double tube) also requires: Optional Service Part
	731-05368	4		Cap, Bumper
	710-04484	2		Screw, Hex, 5/16-18 x .750
	738-0143	2	/P	Screw, Shoulder, 3/8-16
	712-04065	2	/P	Nut, Nylon Lock, 3/8-16



GT1554VT Tractor
Seat

Page 60 of 70

Ref #	Part Number	Qty	S/P/F	Description
1	710-0262	1	/P	Screw, 5/16-18 x .750
2	757-04073	1		Seat Arm
3	757-04092	1		Seat
4	710-04482	1		Screw, Hex Flange, 3/8-16 x .875
5	710-04484	1		Screw, Hex Washer, 5/16-18 x .750
6	712-3004A	1	/P	Nut, Flange Lock, 5/16-18
7	725-0157	1	/P	Tie, Cable
8	732-04561	1		Spring, Comp., 1.71 x 3.735 x .238
9	732-04563	1		Spring, Comp., .68 x 1.065 x .055
10	938-0296	1	/P	Screw, Shldr., 5/16-18 x .437 x .268
11	783-06049-4021	1		Bracket, Seat Moun
12	783-06050	1		Lever, Seat Adjust
13	783-06088-4021	1		Bracket, Seat Pivot
14	783-06448	1		Clip, Ret. Switch



GT1554VT Tractor
Steering

Page 62 of 70

Ref #	Part Number	Qty	S/P/F	Description
1	710-04095	1		Hex Cap Screw, 3/8-16, 1.00
2	710-0514	1	/P	Hex Cap Screw, 3/8-16, 1.00, Gr5, Std
3	710-0650	1	/P	Self-tapping Screw, 5/16-18 x .75
4	711-1408	1		Link, Drag, RH
5	711-1409A	1	/P	Link, Drag, LH
6	912-0214	1	/P	Nut, Hex, 3/8-24, Gr5
7	712-04065	1	/P	Nut, Nylon Lock, 3/8-16
8	712-0459	1	/P	Nut, Flange Lock, 7/16-20
9	712-3004A	1	/P	Nut, Flange Lock, 5/16-18
10	717-1550F	1	/P	Gear, Steering, 11/90 Ratio
11	717-1554	1		Gear, Pinion, Steering
12	923-0448A	1	/P	Ball Joint, 7/16-20
13	936-3004	1	/P	Washer, Flat, .406 x .875 x .105
14	736-3084	1	/P	Washer, Flat, .510 x 1.120 x .060
15	731-04532B	1		Cover, Steering Wheel
16	738-04262	1		Shaft, Steering, .625 OD x 25.00 Lg
17	738-04154	1		Spacer, Shoulder, 1.00 x .38 x .38
18	941-0475	1	/P	Bushing, Plastic, .380 ID
19	741-04237A	1	S	Bearing, Hex Flange, 5/8
20	631-04008A	1	/P	Wheel, Steering, Three Spoke
21	714-0162	1	/P	Pin, Cotter, 5/32, 1.25
22	719-04177A	1		Axle, Pivot Bar, Cast
23	726-0341	1	/P	Push Cap, .75
24	736-04228A	1		Washer, Flat, .781 x 1.590
25	748-04068	1		Spacer, .71 x .125 x .56
26	738-04128	1		Bolt, Shoulder, 3/8-16 x .500 x 2.38
27	712-04065	1	/P	Nut, Jam, 3/8-16, Grf.
28	638-04003AP	1	/P	Axle Ass'y, LH .750 Dia.
28	938-04004A	1	/P	Axle Ass'y, RH .750 Dia.
29	634-04088A	1	/P	Wheel Assembly (See page Wheel Assembly for breakdown)
30	731-05674	1	/P	Hub Cap

GT1554VT Tractor
Transmission

Page 64 of 70

Ref #	Part Number	Qty	S/P/F	Description
1	HG-71629	1		KIT, HOUSING MAIN HOUSING, MAIN; PIN, STANDARD HEADLESS; BUSHING, .624 X .719 X .562; BUSHING, .865 X .985 X .790; BEARING, FLANGE 1.0 X 1.376 X .99
2	HG-71630	1		KIT, HOUSING SIDE HOUSING, SIDE; BUSHING, .624 X .729 X .562; BUSHING, .865 X .985 X .790; BEARING, FLANGE 1.0 X 1.376 X .99
4	HG-9005110-5600	1	/P	PLUG 9/16-18 (METAL)
6		2		PIN, STANDARD HEADLESS included in HG-71632 Seal Kit
7	HG-51190	17	/P	SCREW-HEX FLANGE
10	HG-44761	1	S	SEAL, LIP .625 X 1.0 included in HG-71632 Seal Kit
12	HG-52558	1		ASSEMBLY, FITTING METAL
20	N/A	1		CENTER SECTION, LH CHRG Order Ref 201 HG-71639
22	HG-51448	1		PLATE, BYPASS included in HG-71639 KIT, CENTER SECTION LH CHRG
23	HG-52114	1	/P	FILTER, OIL
24	HG-50564	1		CHECK PLUG included in HG-71639 KIT, CENTER SECTION LH CHRG
25	HG-50564	1		CHECK PLUG included in HG-71639 KIT, CENTER SECTION LH CHRG
26	HG-52162	2		SEAL, PLUG 1.250 X .250 included in HG-71632 Seal Kit
26	HG-52162	2		SEAL, PLUG 1.250 X .250 included in HG-71639 KIT, CENTER SECTION LH CHRG
27	HG-52137	3		HFHCS 3/8-16 X 1.5 (PATCH) included in HG-71639 KIT, CENTER SECTION LH CHRG
28	HG-2003071	1		BRG,JRNL included in HG-71639 KIT, CENTER SECTION LH CHRG
30	HG-51626	1		SEAL, LIP .375 x .75 x .25 included in HG-71632 Seal Kit
31	HG-51628	1	/P	RING, RETAINING .375 EXTERNAL included in HG-71632 Seal Kit
32	HG-52136	1		ROD, BYPASS
33	HG-51627	1		RING, RETAINING .750 INTERNAL included in HG-71632 Seal Kit
34	HG-51910	1		ARM, BYPASS
35	HG-51630	1	/P	RING, RETAINING .375 EXTERNAL included in HG-71632 Seal Kit
35	HG-9001214-4400	1		RING, RETAINING .375 EXTERNAL included in HG-71436 KIT, CHARGE RELIEF
40	HG-51048	1	P	BRUNSON, SWASHPLATE

GT1554VT Tractor
Transmission

Page 65 of 70

Ref #	Part Number	Qty	S/P/F	Description
41	HG-51140	1	/P	SEAL, LIP 18 X 32 X 7 included in HG-71632 Seal Kit
44	N/A	1		ARM, CONTROL Order Ref 211 HG-71827
45	HG-44130	1	S	WASHER, .24 X .88 X .06
46	HG-51812	1	/P	TWHCS 5.16-24 X 1.00 (PATCH) included in HG-71632 Seal Kit
46	HG-51812	1	/P	TWHCS 5.16-24 X 1.00 (PATCH) included in HG-71827 KIT, RTN BIDIRECTIONAL
52	HG-52155	1		SHAFT INPUT included in HG-71713 KIT, FAN/PULLEY
53	HG-50315	1		BRG. BALL 17 X 40 X 12 OPEN 6203 included in HG-71713 KIT, FAN/PULLEY
54	HG-2000022	1	/P	RING, RET WIRE .561 ID included in HG-71632 Seal Kit
54	HG-2000022	1	/P	RING, RET WIRE .561 ID included in HG-71713 KIT, FAN/PULLEY
55	HG-50951	1	/P	WASHER, 1.23 X 1.56 X .04
56	HG-51161	1	/P	SEAL, LIP 17 X 40 X 7 included in HG-71632 Seal Kit
57	HG-50329	1	/P	RING, RETAINING 1.575 INTERNAL included in HG-71632 Seal Kit
60	HG-51462	1		BEARING THRUST
64	HG-70735	1		ASSEMBLY, CYLINDER BLOCK 16CC
65	HG-50551	1	S	BEARING, THRUST BALL 30 X 52 X 13
69	HG-70723	1	/P	ASSEMBLY, BLOCK 7 PISTON
70	HG-44371	1	/P	WASHER, .63 X 1.0 X .05
71	HG-44145	1		RING, RETAINING .625 EXTERNAL
72	HG-52109	1		GEAR, 14T
73	HG-52585	1		SHAFT MOTOR
74	HG-51069	1		WASHER, .72 X 1.16 X .04
80	HG-50132	2	/P	WASHER, .5 X 1.0 X .03
81	HG-52110	1		GEAR, 45T
82	HG-52583	1		GEAR, 11T
83	HG-51083	1		PIN, JACKSHAFT
90	HG-50859	2		RING, RETAINING 2.06 INTERNAL included in HG-71632 Seal Kit
91	HG-52577	1		GEAR, 60T
92	HG-51939	2		SPACER, 1.04 X 1.65 X .22
94	HG-52564	2	S	SHAFT, AXLE 1.00 X 13.37, DD
95	HG-50771	2	/P	BEARING, BALL 1.0 X 52 X 15
96	HG-50772	2	/P	SEAL, LIP 25 X 52 X 10 TC (GRAY) included in HG-71632 Seal Kit
105	HG-50752	3	/P	HFHCS 1/4-20 X .75
106	HG-52247	1		GUARD, FILTER , LH
120	HG-52955	1	/P	FAN 7.0 (10 BLADE) included in HG-71713 KIT, FAN/PULLEY

GT1554VT Tractor
Transmission

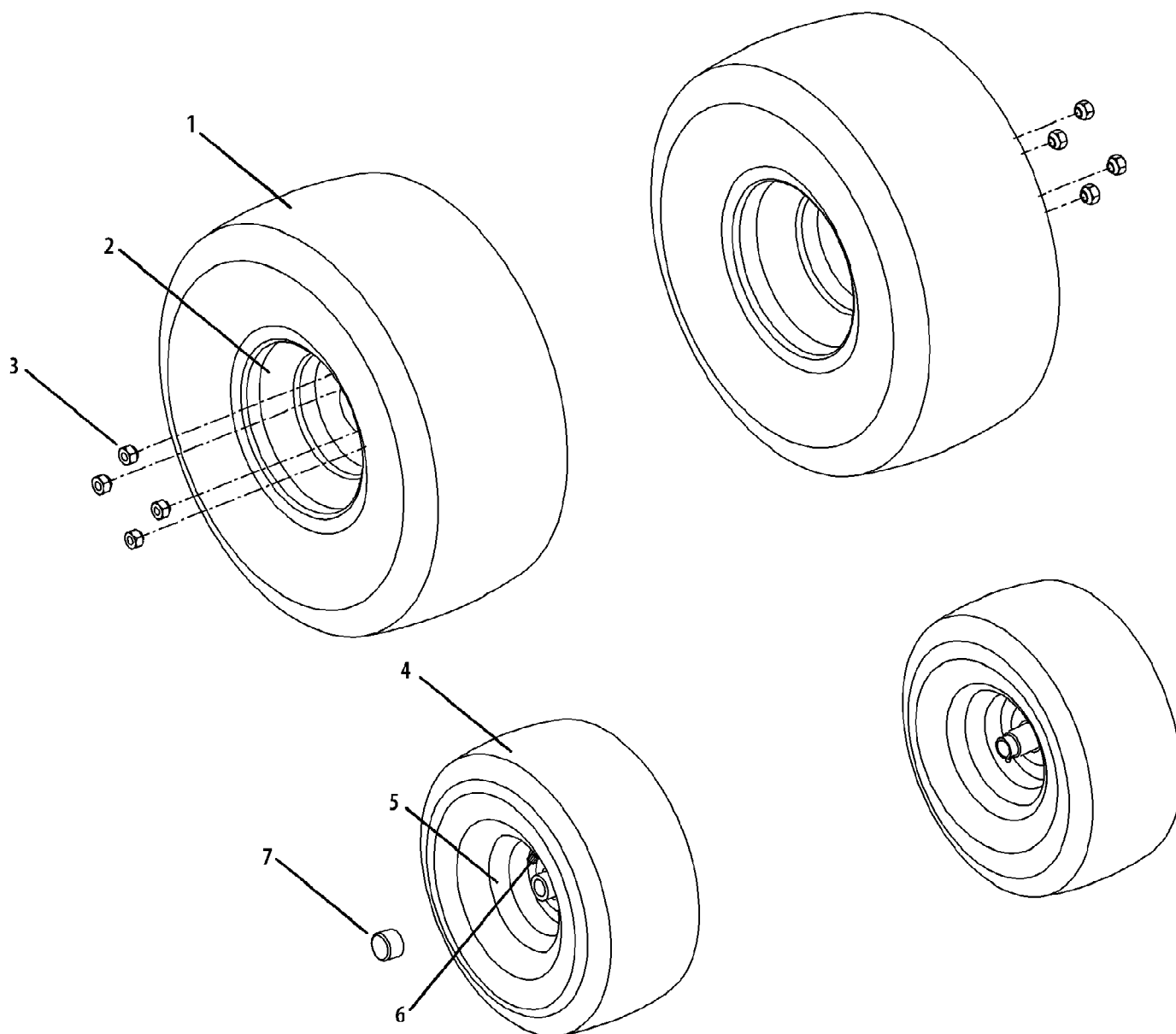
Page 66 of 70

Ref #	Part Number	Qty	S/P/F	Description
121	HG-51585	1		PULLEY included in HG-71713 KIT, FAN/PULLEY
122	HG-51244	1	S	HEX LOCK NUT 1/2-20 (NYLON INSERT) included in HG-71713 KIT, FAN/PULLEY
123	HG-51076	3		SCREW, HEX 1/2-20 X .875 included in HG-71713 KIT, FAN/PULLEY
130	HG-52157	2	/P	TUBE, CONNECTING included in HG-71632 Seal Kit
131	HG-50273	1	/P	GERORTER ASSEMBLY (1.9CC/REV) included in HG-50273 KIT, CHARGE
132	HG-52250	1	/P	O-RING 137. .103 X 2.050 included in HG-71632 Seal Kit
132	HG-52250	1	/P	O-RING 137. .103 X 2.050 included in HG-50273 KIT, CHARGE
133	HG-52688	1	/P	COVER, CHARGE PUMP included in HG-50273 KIT, CHARGE
134	HG-52768	2		SCREW, PAN HEAD 1/4-20 X .75 included in HG-50273 KIT, CHARGE
135	HG-9001214-4400	1		BALL, STEEL 7/16 included in HG-71639 KIT, CENTER SECTION LH CHRGR
136	HG-51157	1		SPRING, RELIEF .42 X .75 included in HG-71639 KIT, CENTER SECTION LH CHRGR
136	HG-51157	1		SPRING RELIEF .42 X .75 included in HG-71436 KIT, CHARGE RELIEF
137	HG-51805	1		PIN, SPRING .125 X .875 included in HG-71639 KIT, CENTER SECTION LH CHRGR
137	HG-51805	1		PIN, SPRING .125 X .875 included in HG-71436 KIT, CHARGE RELIEF
140	HG-52527	1		SPACER, .320 X 1.005 X .179
141	HG-52921	1		ASSEMBLY, RTN, NUETRAL ARM
142	HG-51616	1	S	SHCS 5/16-24 X 1 PATCH
145	N/A	1		ASSEMBLY, RTN BIDIRECTIONAL Order Ref 211 HG-71827
146	HG-51950	1		WASHER, .343 X 1.500 X .062
147	HG-51605	1	/P	SPRING EXTENSION RTN - 44LBS
152	HG-52599	2		GEAR, BEVEL 14T SPLINE ID
154	HG-52608	2		PIN, .499 X 1.20
155	HG-52531	2		RING, SPIRAL RETAINING -.875 included in HG-71632 Seal Kit
163	HG-52600	2		GEAR, BEVEL 10T
170	HG-44132	2	S	PUCK, BRAKE
171	HG-52582	1		ROTOR, BRAKE
172	HG-44134	1	S	PLATE, PUCK
173	HG-44138	1		BOLT, SQUARE HEAD included in HG-70633 KIT, BRAKE - YOKE

GT1554VT Tractor
Transmission

Page 67 of 70

Ref #	Part Number	Qty	S/P/F	Description
174	HG-50879	1		BRAKE YOKE included in HG-70633 KIT, BRAKE - YOKE
175	HG-44433	1		BOLT, HEX HEAD 1/4-20 X 1 W/PATCH
176	HG-51146	1		BOLT, HEX HEAD 1/4-20 X 2 W/PATCH
177	HG-44127	2	S	PIN, BRK .31 X .73 PLATED
178	HG-50919	1	/P	SPRING, COMP BRAKE ANTI-DRAG
179	HG-50911	1		ARM, BRAKE
181	HG-44142	1	S	NUT, CASTLE 5/16-24 PL
182	HG-44101	1	S	PIN, COTTER 3/32 X 3/4
183	HG-23711	1		SPACER, .26 X .57 X .87
184	HG-44130	1	S	WASHER, .27 X .88 X .12
185	HG-50884	1	/P	SPRING, BRAKE ARM BIAS
190	HG-51687	1		CAP, BARBED
191	HG-52474	1		HOSE, .28 X .15 X 10.00
196	HG-52922	1		FITTING, BARBED
200	HG-71632	1		KIT SEAL Not shown
201	HG-71639	1		KIT, CENTER SECTION LH CHRGR
202	HG-71436	1		KIT, CHARGE RELIEF
203	HG-71411	1	/P	KIT, CHARGE
207	HG-71713	1		KIT, FAN/PULLEY
210	HG-71442	1		KIT, INPUT SHAFT included in HG-71713 KIT, FAN/PULLEY
211	HG-71827	1		KIT, RTN BIDIRECTIONAL
212	HG-70633	1		KIT, BRAKE - YOKE
	HG-50928	1	/P	GASKET, MATERIAL (LOCTITE 5900) Not shown
	737-3121	1	/P	FLUID-DRIVE SYSTEM (Gallon) Not shown

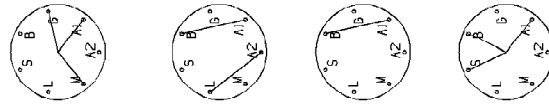


GT1554VT Tractor
Wheel Assembly

Page 69 of 70

Ref #	Part Number	Qty	S/P/F	Description
1	734-04147-0901	1	/P	Tire, 23 x 10.5 x 12 Square Shoulder
2	634-04238-0499	1	/P	Rim Assembly, 12.0 x 7.0 (4-Lug)
2	934-0255	1	/P	Valve, Tubeless Air (not shown)
3	712-3050	1	/P	Lug Nut, 7/16-14
4	734-04148-0901	1	/P	Tire, 16 x 7.5 x 8 Square Shoulder
5	934-04082-0499	1	/P	Rim Assembly, 8 x 5.38 (Includes Flange Bearings and Valve)
5	741-0990B	1	/P	Bearing, Flange .760 ID w/ Grease Ftg. Not shown
5	741-0516B	1	/P	Bearing, Flange .760 x 1.00 x 1.20 Lg. Not shown
6	934-0255	1	/P	Valve, Tubeless Air
7	731-05674	1	/P	Hub Cap

GT1554VT Tractor
Wiring Schematic



OFF G*H*1
 RUN 1 B*1
 L*1,2
 RUN 2 B*1
 START B*5*1

