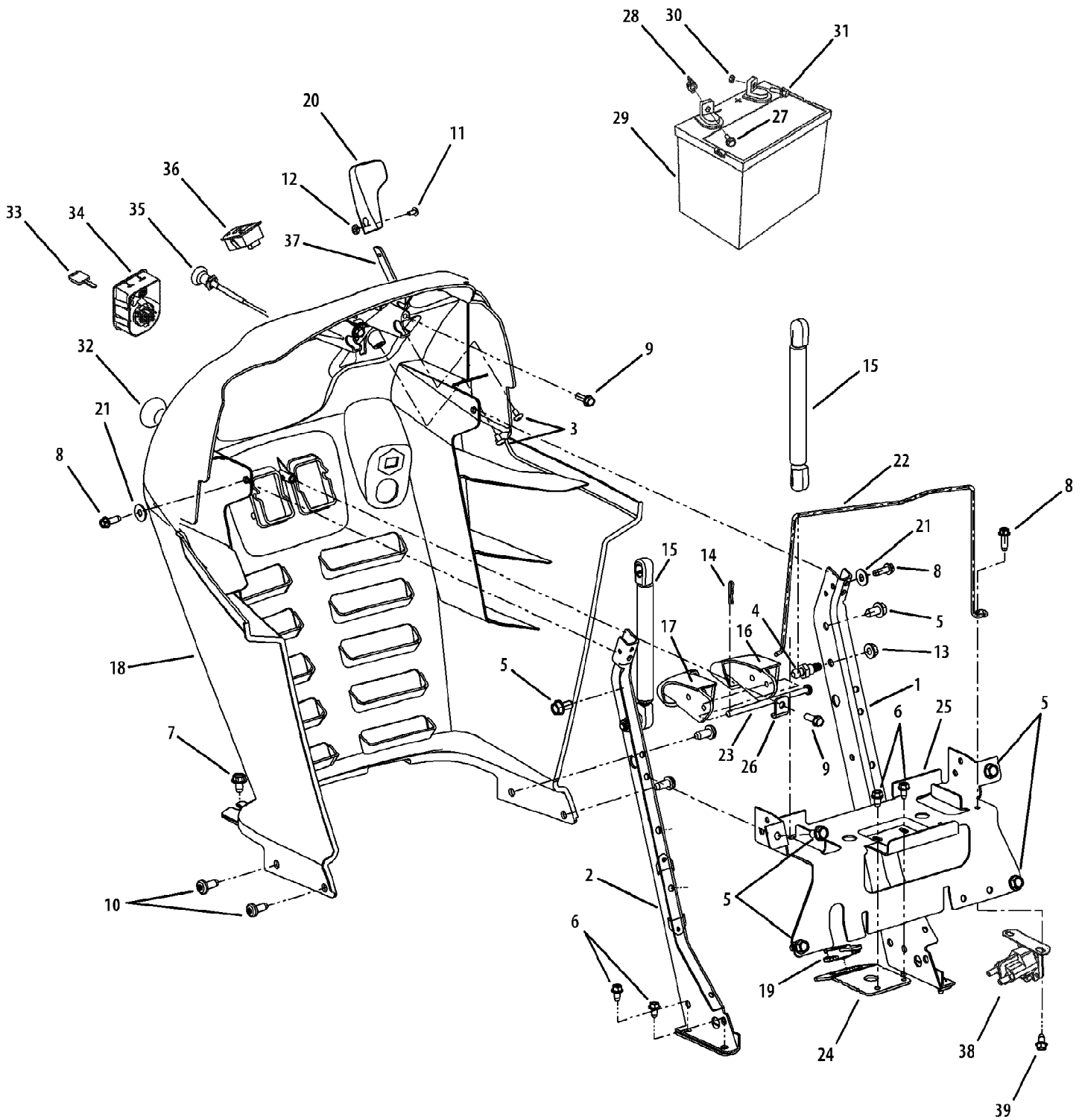


GT1554 Tractor Courage Engine (14AK13BK) S/N 1K017 & after
Adjustable Seat

Page 2 of 55

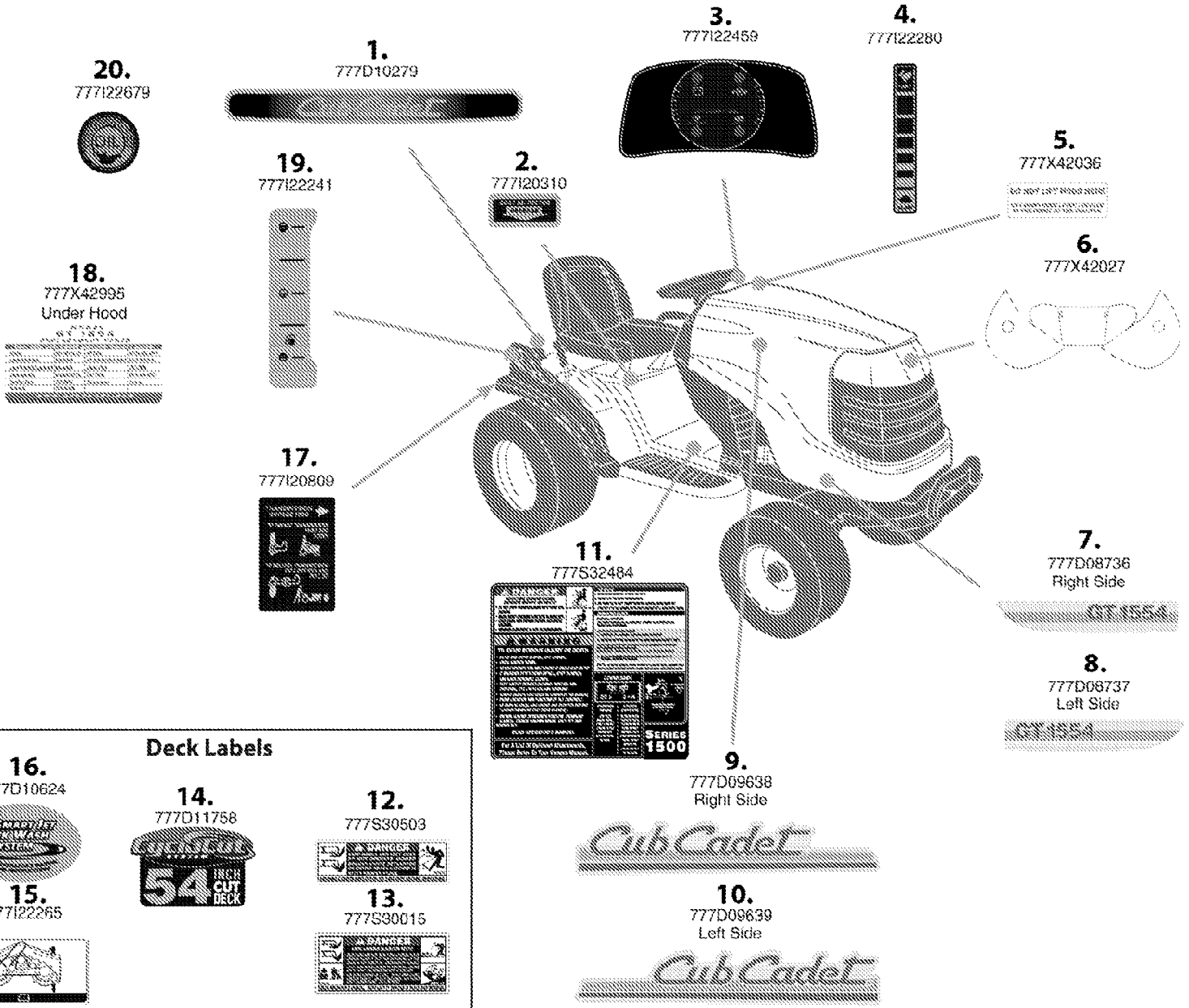
Ref #	Part Number	Qty	S/P/F	Description
1	710-1268	1	/P	Screw, #10-16, 0.375
2	712-04063	1	/P	Nut, Nylon Lock, 5/16-18, Gr5
3	712-04064	1	/P	Nut, Nylon Lock, 1/4-20 GrF
4	720-0309A	1	/P	Grip, Seat, Adjustment
5	726-0201	1		Nut, Speed, .3125 ID
6	731-04074	1		Spacer, Seat, Adjustment
7	732-0499	1		Spring, Compression .41 x 1.50
8	732-1184	1	/P	Spring, Extension, .80 Dia x 4.6
9	736-0204	1	/P	Washer, Flat, .344 x .620 x .033
10	736-0242	1	/P	Washer, Flat, .340 x .872 x .060
11	736-3019	1		Washer, Flat, .531 x 1.062 x .134
12	738-0137A	1	S	Screw, Shlder, .340 x .285, 1/4-20
13	738-0296	1	S	Shoulder, Screw .437 x .286 Lg
14	738-0966A	1	/P	Screw, Shoulder, .50 x.925, 3/8-16
15	783-0209D	1	/P	LH Bracket, Seat Lift
16	783-0611	1		Stop, Seat, Adjustment
17	783-0738D	1	/P	Bracket, Seat Pivot
18	783-0739A	1	S	Lever, Seat, Adjustment
19	783-0753	1		Selector, Seat, Adjustment
20	757-04058	1		Seat, Cub Cadet, High Back
21	757-04073	1		Arm Rest Kit (incl. screws, RH & LH)
22	710-0227	1	/P	Screw, #8-18 x .50
23	726-0279	1		Plate, Insulator
24	725-1303	1	S	Spring Switch, Outer
25	725-1439	1		Spring Switch, Inner
26	726-0278	1		Plate, Insulator Boss



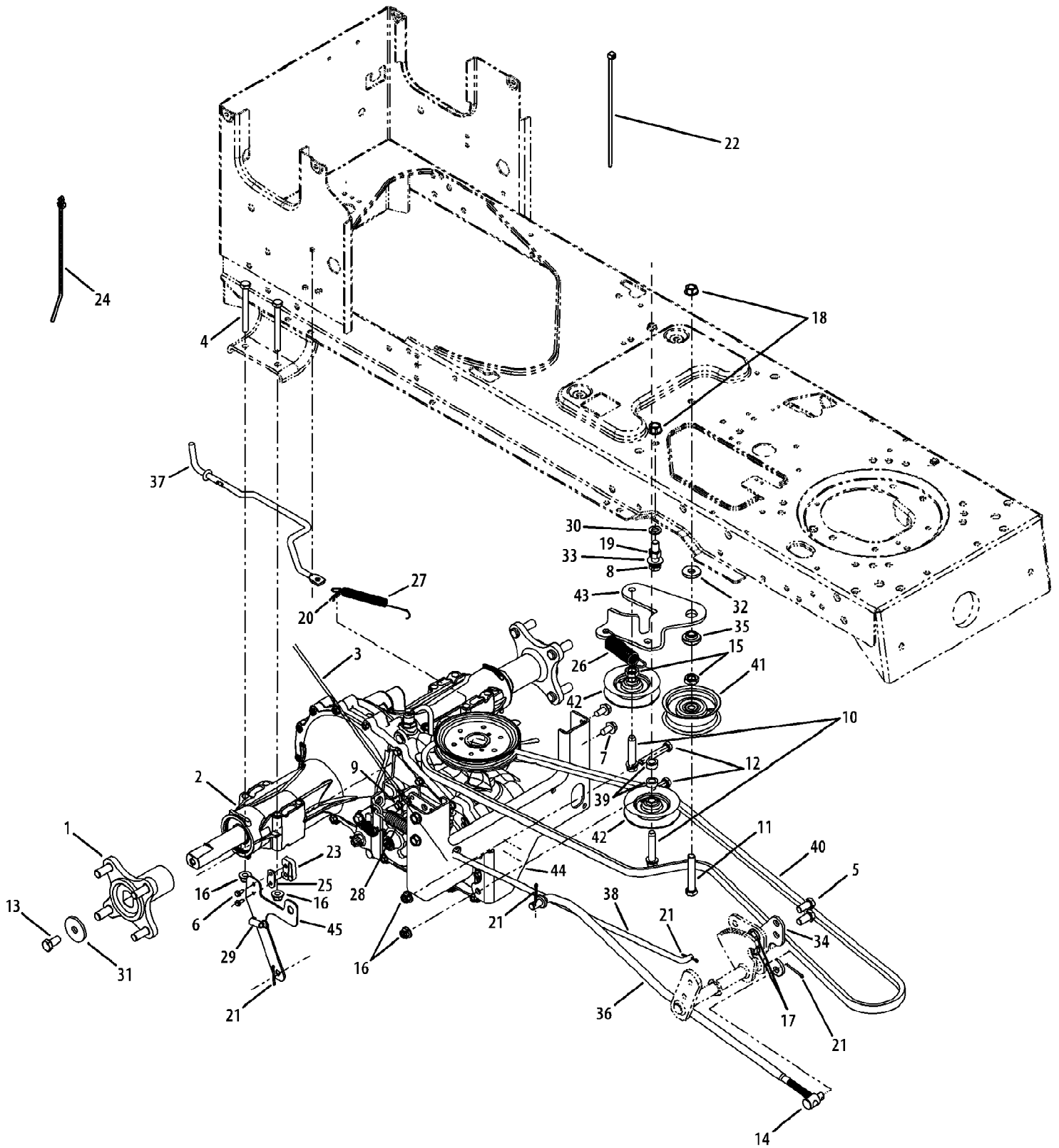
GT1554 Tractor Courage Engine (14AK13BK) S/N 1K017 & after
Dash Assembly, Battery & Solenoid

Page 4 of 55

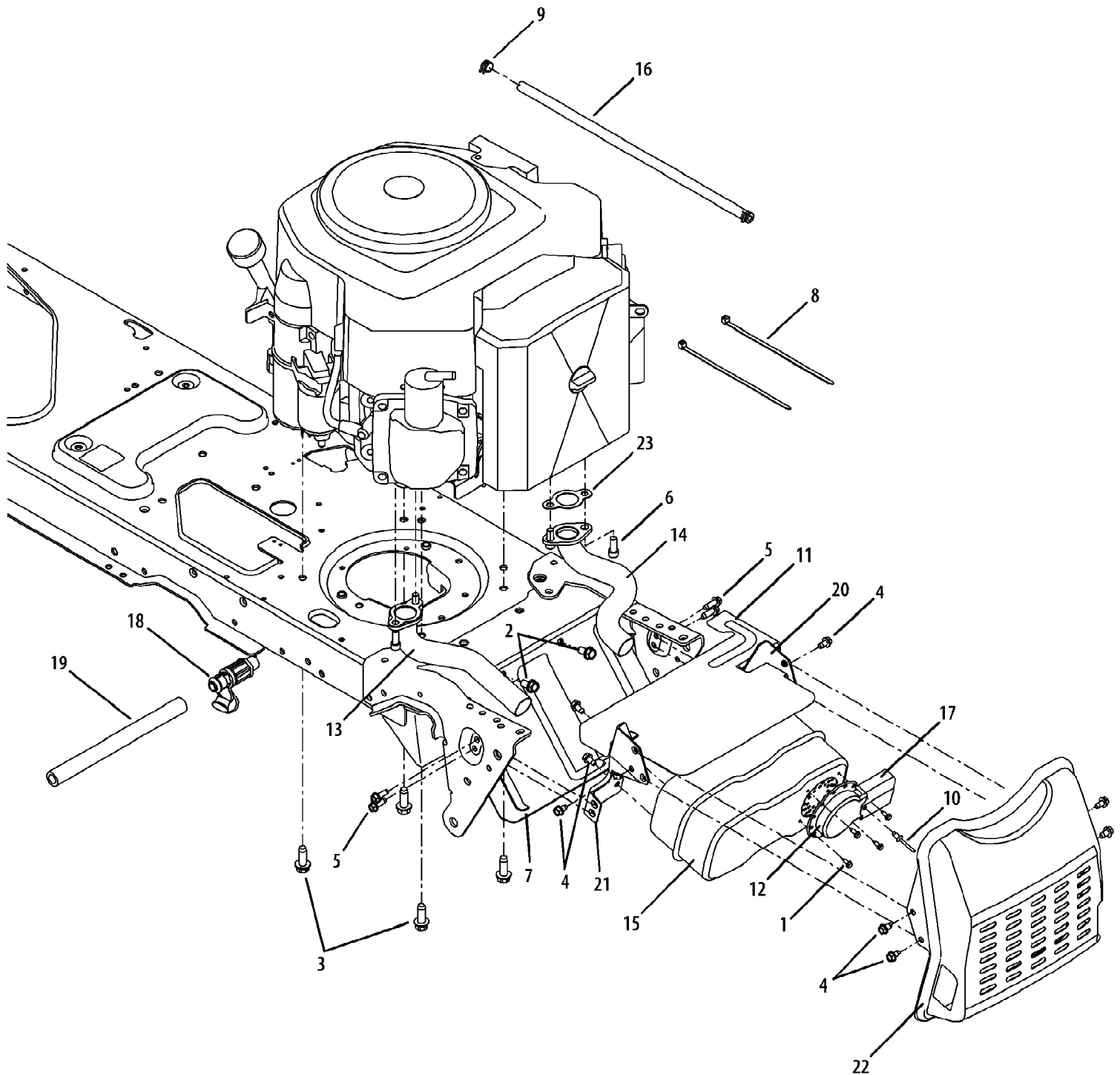
Ref #	Part Number	Qty	S/P/F	Description
1	683-04231	1	S	Dash Support, LH
2	683-04232	1	S	Dash Support, RH
3	710-0192	1	/P	Screw, #10-24 x .375
4	710-04471	1		Screw, Shoulder Ball, 5/16-18 x .48
5	710-04484	1		Screw, Hex, 5/16-18 x .750
6	710-0599	1	/P	Screw, Self-tapping, 1/4-20, 0.500
7	710-0607	1	/P	Screw, Hex, 5/16-18 x .500
8	710-0642	1	/P	Screw, 1/4-20, .750
9	710-0895	1		Screw, 1/4-15, 0.750
10	710-1611B	1	/P	Screw, Torx Hd. Tapp. 5/16-18 x .75
11	710-3217	1	/P	Screw, Machine, #8-32, 0.375
12	712-0142	1	/P	Nut, 8-32
13	712-3004A	1	/P	Nut, Flangelock, 5/16-18
14	714-0104	1	S	Internal Cotter Pin, .072 x 1.13
15	727-04142	1		Gas Spring Cylinder
16	731-04293A	1	/P	Lever, Dash, Brake
17	731-04294A	1		Lever, Dash, Cruise
18	731-05077C	1	/P	Cub 1500 Dash
19	731-05659	1		Steering Column Bearing
20	731-3161A	1	S	Knob, Throttle Control
21	736-0173	1	/P	Washer, Flat, .28 x .74 x .063
22	747-04215	1	S	Hold-down Rod, Battery
23	747-1323A	1		Rod, .250 Dia x 4.25 Lg.
24	783-05240A	1		Bracket, Steering Support
25	783-05469	1		Bracket, Support, Battery
26	783-1499	1	S	Bracket, Rod, Dash
27	738-1132	1		Shoulder Screw, .250 x .150, 1/4-20
28	712-3087	1	/P	Wing Nut, 1/4-20
29	725-1750A	1	S	Battery, 235 CCA
30	712-0271	1	/P	Nut, Sems, 1/4-20
31	710-04666	1		Screw, Flange, 1/4-20, .75,
32	725-04175	1	S	Switch, PTO, Yellow
33	725-2054A	1	S	Ignition Key, Plastic
33	725-1744A	1	S	Ignition Key, Metal
34	725-04227B	1	S	Switch Module, Ignition
35	746-04120	1		Choke, 40.5 x 2.0
36	725-04022B	1	S	Monitor, Sys. Indicator / Hour Meter
37	746-04352	1		Throttle, 38.0 x 1.62
38	725-04439	1		Solenoid, 12V, 100 Amp
39	710-0642	1	/P	Screw, 1/4-20
	725-04405A	1	S	Wire Harness Not Shown
	725-2003	1		12V Power Receptacle Not Shown



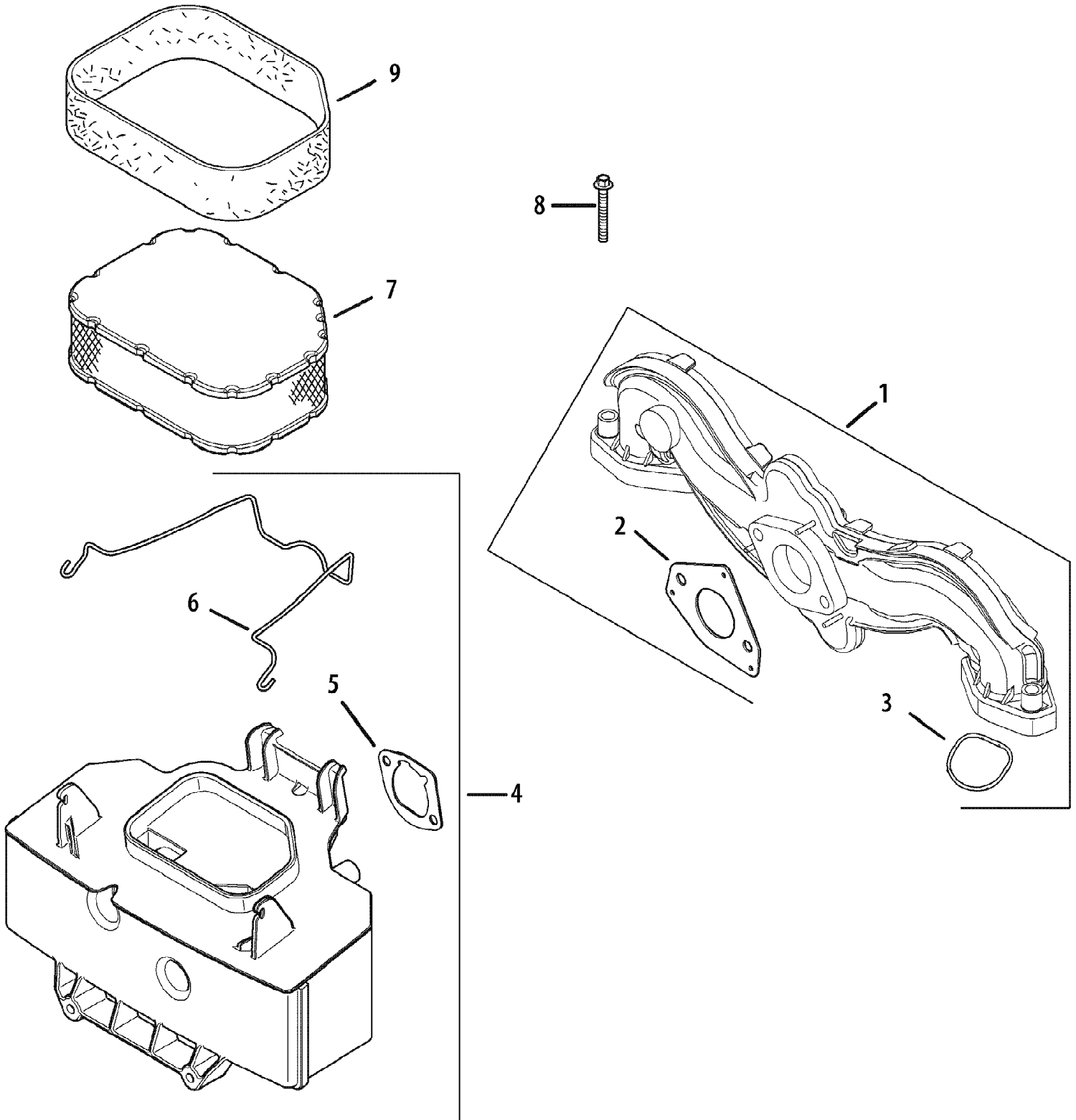
Ref #	Part Number	Qty	S/P/F	Description
1	777D10279	1		LABEL-REAR FENDER
2	777I20310	1		LABEL-SEAT ADJUSTE
3	777I22459	1		LABEL-DASH PANEL
4	777I22280	1	S	LABEL-THROTTLE
5	777X42036	1		LABEL: CUB RIDER
6	777X42027	1		LABEL-GRILLE REFLECTOR
7	777D08736	1		LABEL-RH SIDE GT1554
8	777D08737	1		LABEL-LH SIDE GT1554
9	777D09638	1		LABEL-RGT SIDE HOOD
10	777D09639	1		LABEL-LFT SIDE HOOD
11	777S32484	1		LABEL-FRAME COVER
12	777S30503	1	/P	LABEL-DANGER CHUTE
13	777S30015	1		LBL.RIDER DNGR.STRAIGT
14	777D11758	1		LABEL-CYCLO CUT 54"
15	777I22265	1		LABEL-BELT ROUTE
16	777D10624	1		LABEL-RIDER:DECK WASH CUB
17	777I20809	1		LABEL-HITCHPLATE
18	777X42995	1		LABEL-PARTS LIST CUB GT1554
19	777I22241	1		LABEL-FUEL LEVEL
20	777I22679	1		LABEL-CHECK ENG OIL



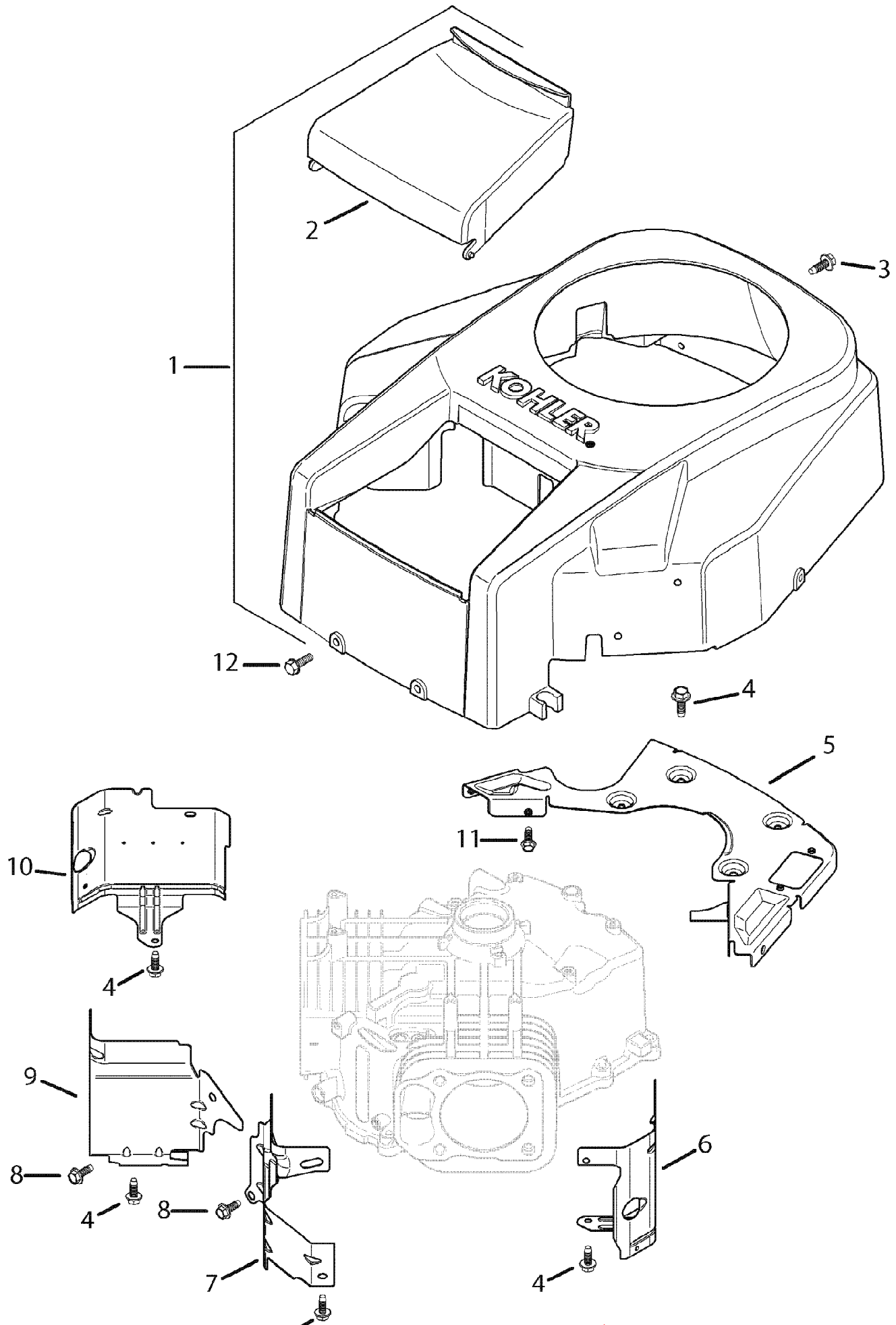
Ref #	Part Number	Qty	S/P/F	Description
1	618-04317	1	S	Hub Assembly
2	618-04468	1	S	Transmission, Hydrostatic
3	629-04143	1		Wire Harness, Reverse
4	710-0189	1	/P	Screw, Hex Cap, 5/16-18 x 3.00 Gr5
5	710-0216	1	/P	Screw, Hex Cap, 3/8-16 x .75 Gr5
6	710-0227	1	/P	Screw, Hex Wash Hd Tapp, #8-18 x .5
7	710-04484	1		Screw, Hex Cap, 5/16-18 x .750
8	710-0520	1	/P	Screw, Hex Cap, 3/8-16 x 1.50 Gr5
9	710-0599	1	/P	Screw, Self-Tapp, 1/4-20 x .5
10	710-1008	1		Sems Screw, 3/8-16 x 1.875
11	710-3011	1	/P	Hex Cap Screw, 3/8-16 x 2.25, Gr5
12	710-3103	1	/P	Screw, Hex Cap, 5/16-18 x 2.00
13	710-3119	1	/P	Screw, Hex Cap Lock, 3/8-16 x .75
14	711-0832	1	S	Ferrule, 3/8-24 x .375 Dia
15	712-0240	1	S	Jam Nut, 7/16-20
16	712-04063	1	/P	Nut, Flange Insert Lock, 5/16-18 Gr5
17	712-04065	1	/P	Nut, Flange Insert Lock, 3/8-16 GrF
18	712-0431	1	S	Nut, Flange Insert Lock, 3/8-16 GrF
19	712-3017	1	S	Nut, Hex, 3/8-16, GR5
20	714-0104	1	S	Pin, Cotter, .072 Dia. x 1.13
21	714-0111	1	S	Pin, Cotter, 3/32, 1.0
22	725-0157	1	/P	Cable, Tie, 3/16 x .05 x 7.4
23	725-1644	1		Switch, Spring, Short
24	726-0154	1	S	Tie, Cable, Push Mount 7.5
25	726-0320	1	S	Plate, Insulator Nut
26	732-04323B	1	/P	Spring, Extension, .77 Dia x 3.7 Lg
27	732-04528	1		Spring, Extension, .50 OD x 5.00 Lg
28	732-0716C	1	S	Spring, Extension, .59 OD x 4.00 Lg
29	732-3118	1		Spring, Extension, 3/8 OD x 1.44 Lg
30	736-0169	1	S	Washer, Lock, 3/8 , Regular Duty
31	736-0227	1	S	Washer, Flat, .390 x 1.50 x .134
32	736-0258	1	/P	Washer, Flat, .385 x 1.0 x .135
33	736-0300	1	S	Washer, Flat, .406 x .875 x .059
34	783-0745	1	S	Bracket, Speed Control
35	738-0372B	1	/P	Spacer, Shoulder, 1.00 x .38 x .38
36	747-04666	1		Rod, Hydro Control
37	747-04838A	1		Rod, Hydro Disengage
38	747-04873	1		Rod, Brake
39	750-04776	1		Spacer, .380 x .625 x .265
40	754-0461	1	S	Belt, V-Type
41	756-04224	1	/P	Pulley, Idler, Flat 2.75 OD
42	756-04325	1	/P	Pulley, Idler, Flat 3.06 OD
43	783-04442	1		Bracket, Idler
44	783-05443	1		Bracket, Torque
45	783-05841	1		Bracket, Actuator



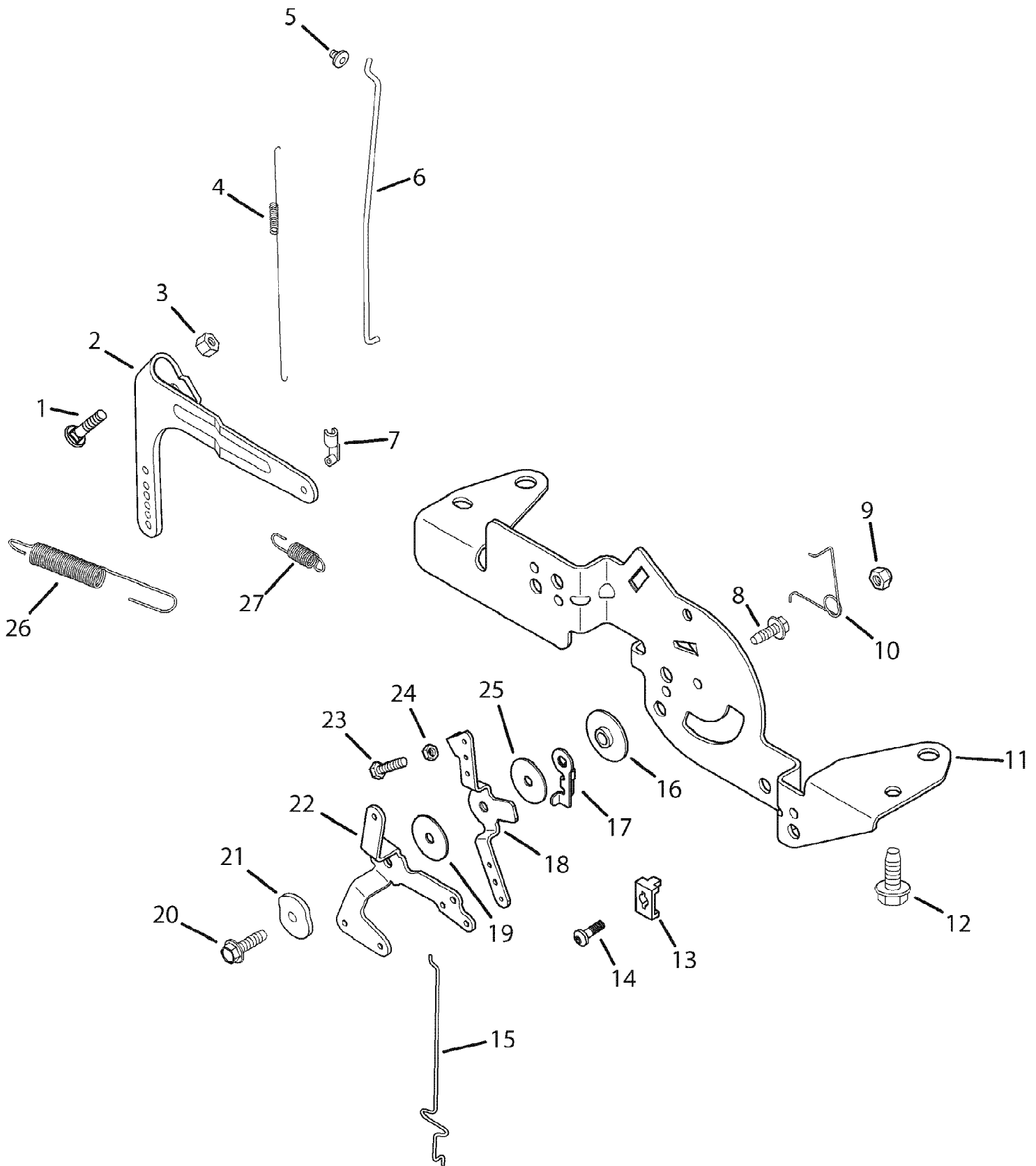
Ref #	Part Number	Qty	S/P/F	Description
1	710-0227	1	/P	Screw, #8-18, 0.500
2	710-04484	1		Screw, 5/16-18, 0.750
3	710-04683	1		Screw, Hex, 3/8-16 x 1.00
4	710-0599	1	/P	Screw, Hex, 1/4-20, 0.500
5	710-0642	1	/P	Screw, Hex, 1/4-20, 0.750
6	710-1314A	1	/P	Screw, 5/16-18, 0.75
7	783-05410	1		Muffler Heat Shield
8	725-0157	1	/P	Cable, Tie, 3/16 x .05 x 7.4
9	726-0205	1	/P	Hose Clamp
10	728-04000	1		Rivet, Pop, .188 x .325
11	783-04783A	1	/P	Heat Shield, Twin
12	751-0564B	1	/P	Deflector, Muffler
13	751-10006	1		Pipe, Exhaust, RH
14	751-10007	1		Pipe, Exhaust, LH
15	751-10161	1		Muffler, Dual Inlet
16	751-10349	1		Fuel Line, Low Permeation
17	751-10353	1		Extension, Deflector
18	751-10517	1	S	Drain, Oil
19	751-3141	1	S	Extension Hose, Oil Drain
20	783-04573	1		Muffler Bracket, LH
21	783-04574	1		Muffler Bracket, RH
22	783-04576B	1	S	Shield, Muffler
23	KH-20-041-12-S	1	/P	Exhaust Gasket



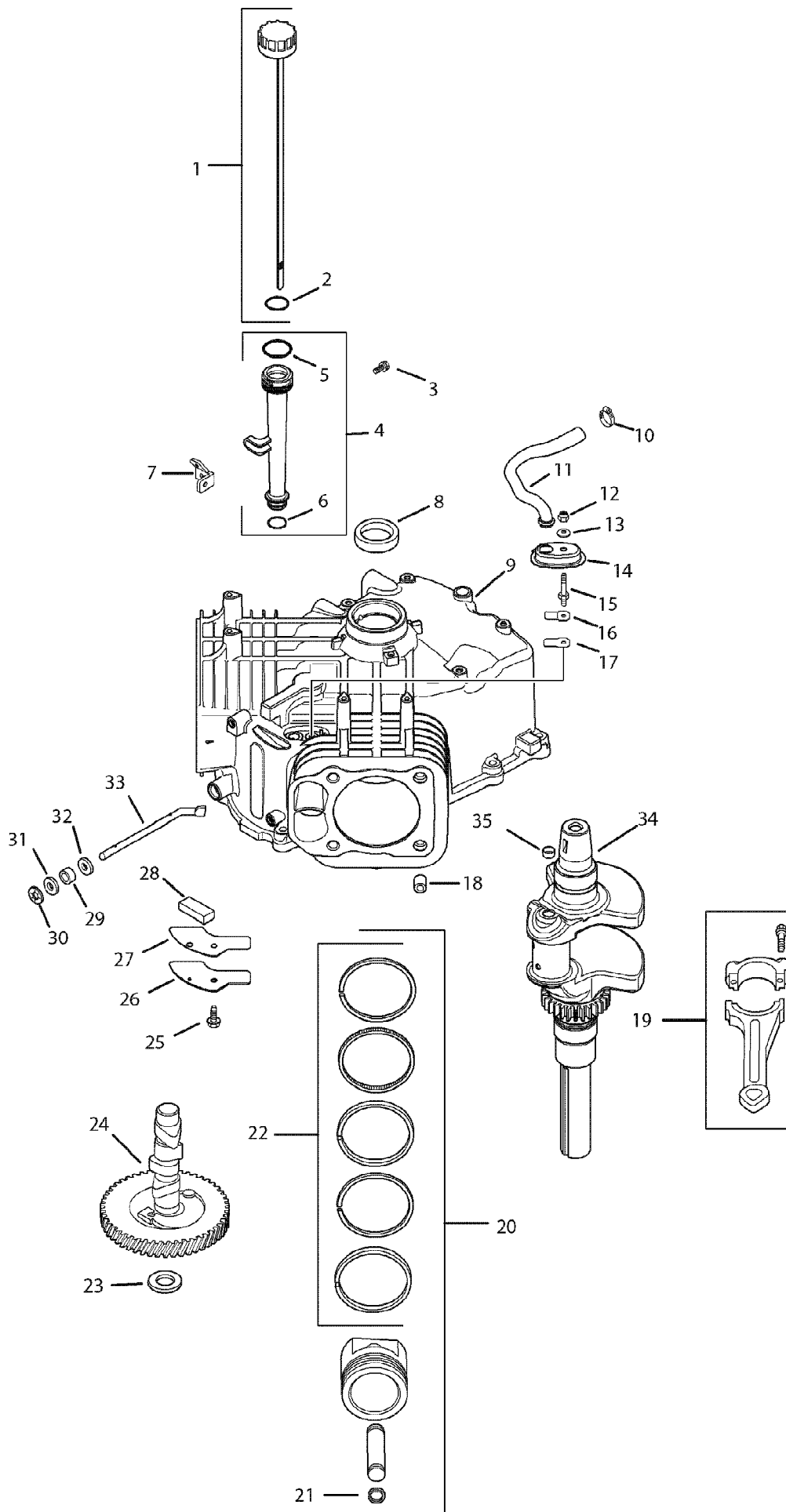
Ref #	Part Number	Qty	S/P/F	Description
1	KH-24-164-91-S	1	/P	Manifold, intake (Includes 2,3)
2	KH-24-041-52-S	1	/P	Gasket, carburetor
3	KH-24-153-27-S	1	/P	O-Ring, intake port
4	KH-32-094-04-S	1	/P	Base, air cleaner (Includes 5,6)
5	KH-24-041-14	1	/P	Gasket, air cleaner base
6	KH-32-344-02-S	1		Latch, air cleaner element
7	KH-32-083-03-S	1	S	Element, air cleaner
8	KH-M-651040-S	1		Screw, hex. flange M6x1.0x40
9	KH-32-083-05-S	1	S	Pre-cleaner, element



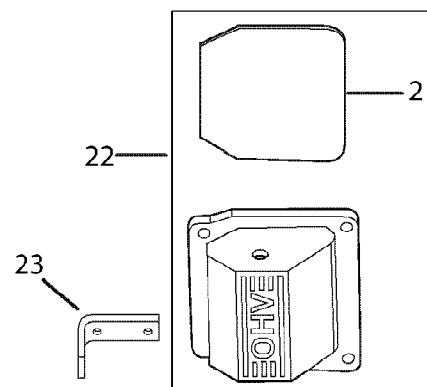
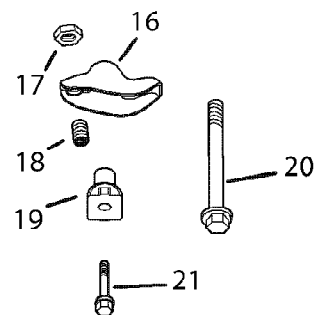
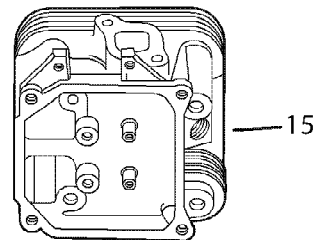
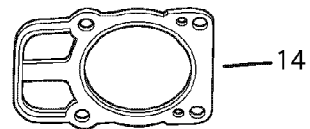
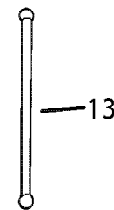
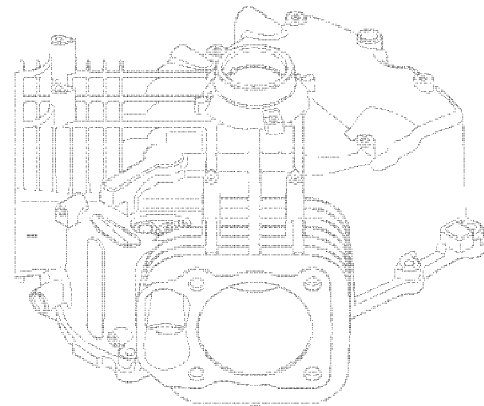
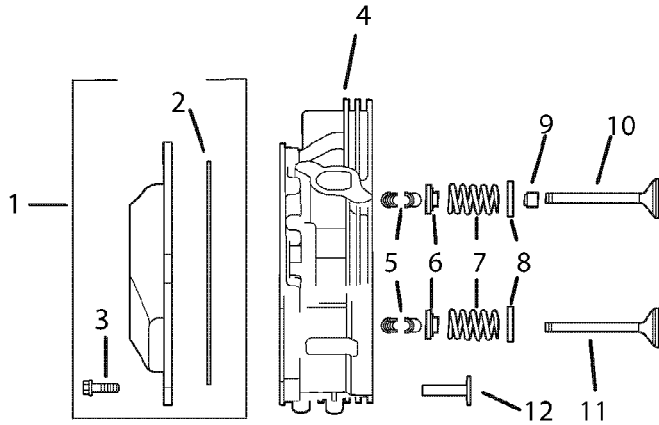
Ref #	Part Number	Qty	S/P/F	Description
1	KH-32-027-03-S	1		Housing, blower (Includes 2, 41 037 10-S)
2	KH-32-096-08-S	1		Cover, air cleaner
3	KH-M-545016-S	1	/P	Screw, hex. flange M5x0.8x16
4	KH-M-645016-S	1	/P	Screw, hex. flange M6x1.0x16
5	KH-32-146-05-S	1		Plate, backing w/rectifier-regulator opening
6	KH-32-063-07-S	1		Baffle, cylinder barrel - #2 side
7	KH-32-063-02-S	1		Baffle, valley - #2 side
8	KH-M-545010	1	S	Screw, hex. flange M5x0.8x10
9	KH-32-063-03-S	1		Baffle, valley - #1 side
10	KH-32-063-10-S	1		Baffle, cylinder barrel-#1 side
11	KH-M-545020-S	1		Screw, hex. flange M5x0.8x20
12	KH-24-086-12	1		Screw, hex. cap M6x1.7x18



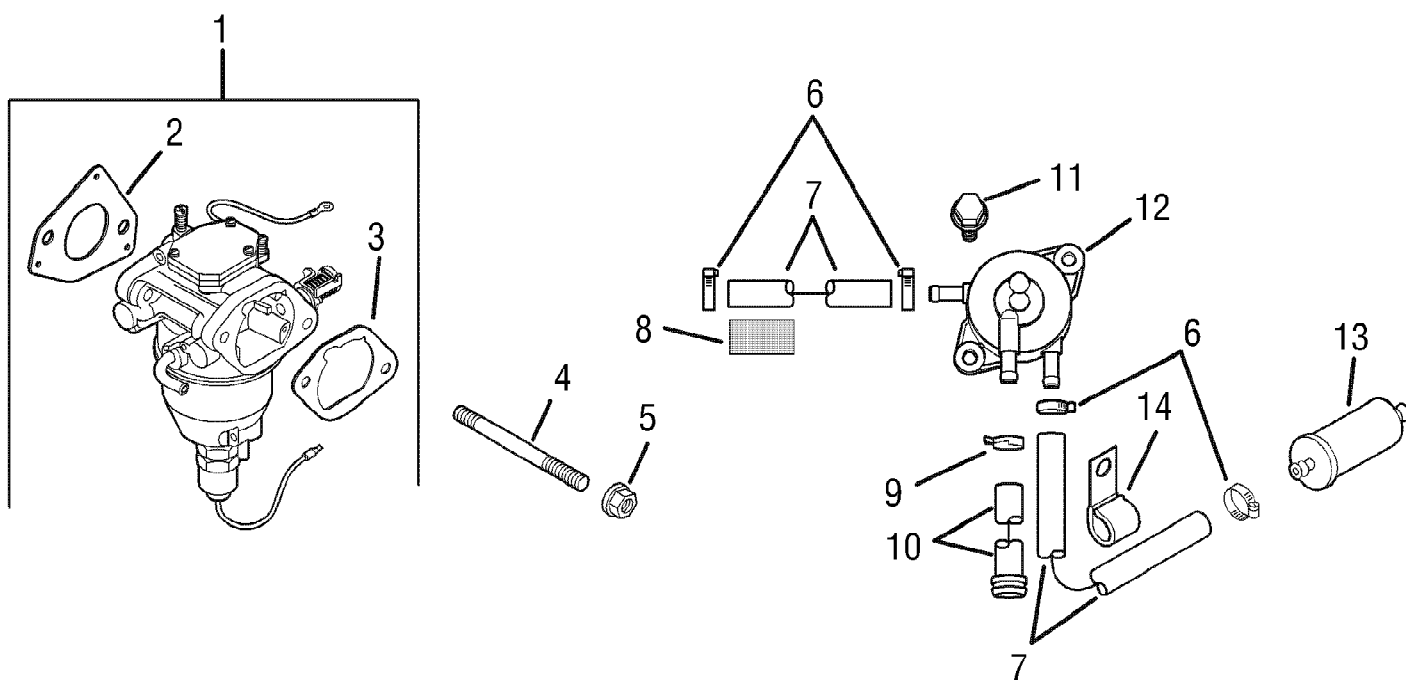
Ref #	Part Number	Qty	S/P/F	Description
1	KH-24-211-03-S	1		Bolt, round hd square neck
2	KH-24-090-33-S	1	S	Lever, governor
3	KH-M-641060-S	1	/P	Nut, hex. flange M6x1.0
4	KH-24-089-01	1		Spring, linkage
5	KH-25-158-08	1	/P	Bushing, linkage retaining
6	KH-24-079-04	1		Linkage, throttle
7	KH-25-158-11	1	/P	Bushing, throttle linkage
8	KH-M-545016-S	1	/P	Screw, hex. flange, M5x0.8x16
9	KH-M-547050-S	1		Nut, hex. lock M5x0.8
10	KH-24-089-03	1		Spring, choke return
11	KH-24-126-161-S	1	S	Bracket, control
12	KH-M-645016-S	1	/P	Screw, hx. flange M6x1.0x16
13	KH-47-237-02	1	S	Clamp, dual conduit
14	KH-24-086-43-S	1		Screw, thread forming
15	KH-24-079-22-S	1		Linkage, choke
16	KH-24-112-27-S	1		Spacer, control assembly
17	KH-24-090-47-S	1		Lever, throttle actuator
18	KH-24-090-13	1		Lever, throttle control
19	KH-24-468-01	1		Washer, plain 5.5 mm
20	KH-M-545020-S	1		Screw, hx. flange M5x0.8x20
21	KH-41-468-03	1		Washer, spring 1/4"
22	KH-24-090-05	1		Lever, choke
23	KH-M-403025	1		Screw, hex. head cap M4x0.7x25
24	KH-M-446030-S	1	/P	Nut, hex. M4x0.7
25	KH-24-468-20-S	1		Washer, plain
26	KH-24-089-25-S	1	/P	Spring, governor
27	KH-24-089-55-S	1		Spring, governor



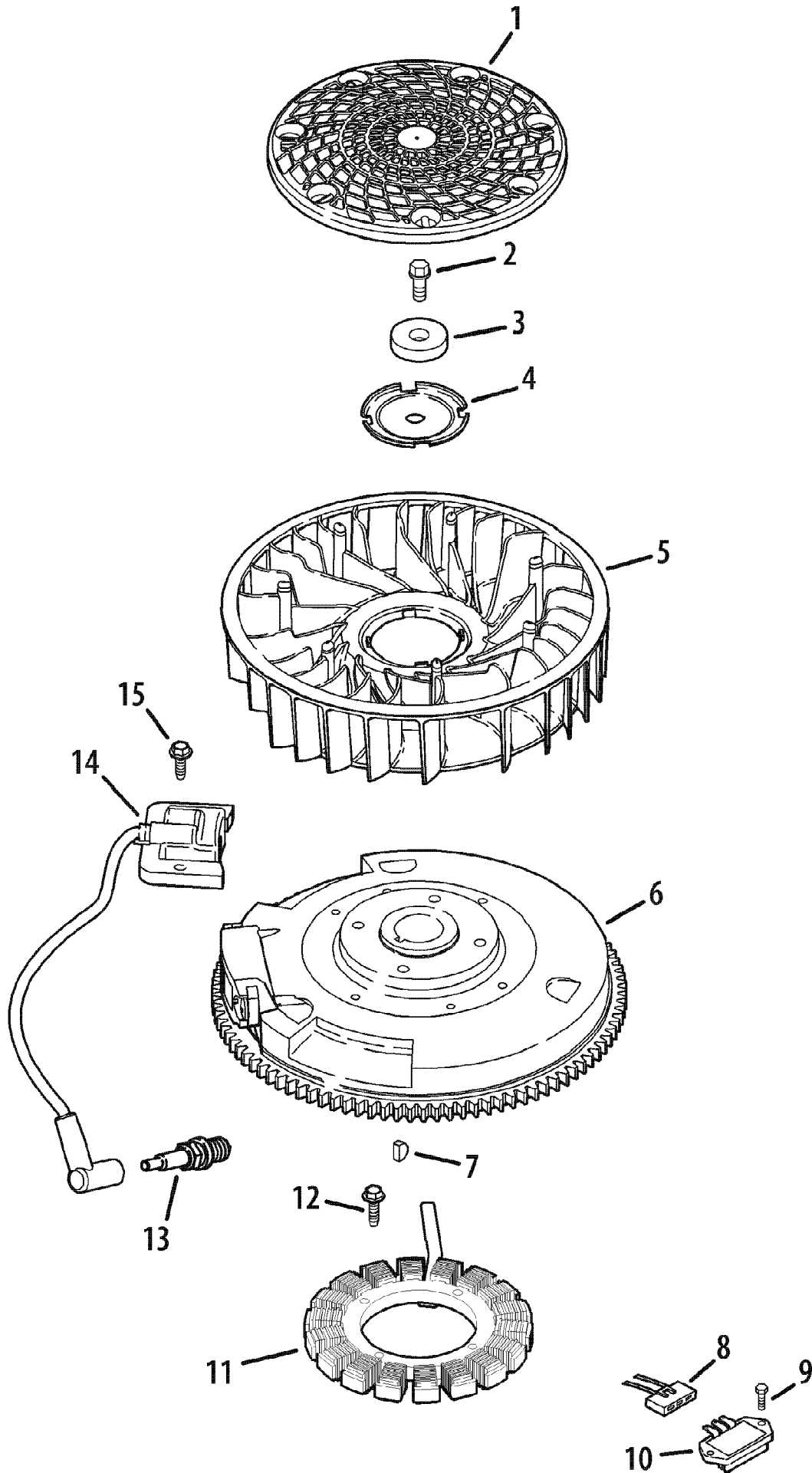
Ref #	Part Number	Qty	S/P/F	Description
1	KH-32-038-01-S	1	S	Kit, dipstick (Includes 2)
2	KH-12-153-02-S	1	/P	O-Ring
3	KH-M-545013-S	1		Screw, hex. flange M5x0.8x16
4	KH-12-123-04	1	S	Tube, oil fill (Includes 5,6)
5	KH-12-153-02-S	1	/P	O-Ring, upper oil fill tube
6	KH-12-153-01-S	1	/P	O-Ring, lower oil fill tube
7	KH-24-126-19	1		Bracket, oil fill tube
8	KH-24-032-01-S	1	S	Seal, oil
9	N/A	1		Crankcase (USE: Miniblock)
9	KH-32-782-01	1		Miniblock
10	KH-25-237-14-S	1	/P	Clamp, hose
11	KH-32-326-06-S	1		Hose, breather
12	KH-M-547050-S	1		Nut, hex. lock M5x0.8
13	KH-32-468-01-S	1		Washer, sealing
14	KH-32-081-02-S	1		Housing, breather
15	KH-32-072-02-S	1		Stud, breather cover
16	KH-24-018-04-S	1		Retainer, breather reed
17	KH-12-402-02	1		Reed, breather
18	KH-24-380-16-S	1	/P	Pin, locating
19	KH-24-067-24-S	1	S	Connecting Rod (Std.)
20	KH-24-874-01-S	1	S	Piston w/Ring Set (Std.) (Inc. 21)
20	KH-24-874-27-S	1	S	Piston w/Ring Set (.08)
20	KH-24-874-28-S	1	/P	Piston w/Ring Set (.25)
21	KH-24-018-01-S	1	/P	Retainer, piston pin
22	KH-24-108-14-S	1		Ring Set (Std.)
22	KH-24-108-16-S	1	/P	Ring Set (.25)
23	KH-12-422-10-S	1	/P	Shim, camshaft (yellow)
23	KH-12-422-09-S	1	/P	Shim, camshaft (red)
23	KH-12-422-13-S	1	/P	Shim, camshaft (black)
23	KH-12-422-07-S	1	/P	Shim, camshaft (white)
23	KH-12-422-08-S	1	/P	Shim, camshaft (blue)
23	KH-12-422-11-S	1	/P	Shim, camshaft (green)
23	KH-12-422-12-S	1	/P	Shim, camshaft (gray)
24	KH-32-012-01-S	1		Kit, camshaft
25	KH-M-645016-S	1	/P	Screw, hex. flange M6x1.0x16
26	KH-32-096-04-S	1		Cover, breather
27	KH-32-041-01-S	1		Gasket, breather cover
28	KH-32-050-01-S	1		Filter, breather
29	KH-28-032-09-S	1		Seal, governor cross shaft
30	KH-24-018-09-S	1		Ring, retainer
31	KH-M-931010-S	1		Washer, plain 8 mm
32	KH-24-468-15-S	1		Washer, flat 1/4"
33	KH-24-144-38-S	1	/P	Shaft, governor cross
34	KH-32-014-04-S	1	S	Crankshaft (Includes 35)
35	KH-52-139-09-S	1	/P	Plug, cup



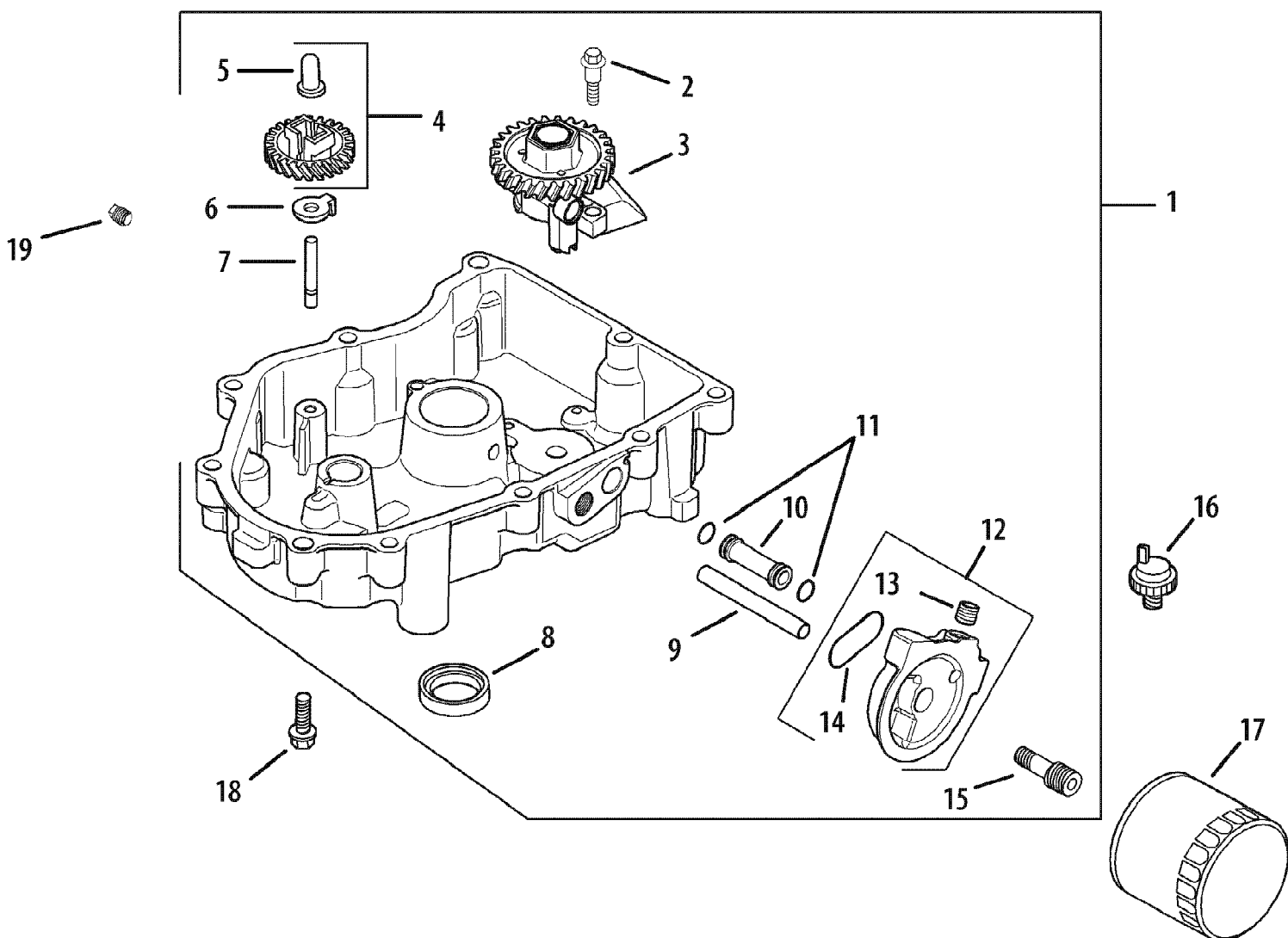
Ref #	Part Number	Qty	S/P/F	Description
1	KH-24-755-141-S	1	/P	Kit, valve cover - plain (Includes 2,3)
2	KH-24-153-30-S	1	/P	O-Ring
3	KH-M-651030-S	1		Screw, hex. flange M6x1.0x30
4	KH-32-318-01-S	1	S	Head assembly, #1 cylinder
5	KH-12-755-03	1	/P	Kit, retainer
6	KH-12-173-01	1	/P	Cap, valve spring
7	KH-24-089-02	1	/P	Spring, valve
8	KH-235011-S	1	/P	Retainer, spring
9	KH-66-032-05-S	1	/P	Seal, valve stem
10	KH-24-017-01	1	/P	Valve, intake (Std.)
10	KH-24-017-02	1		Valve, intake (.25)
11	KH-24-016-01	1	/P	Valve, exhaust (Std.)
11	KH-24-016-02	1		Valve, exhaust (.25)
12	KH-32-019-01-S	1	S	Tappet
13	KH-32-411-02-S	1	/P	Rod, push
14	KH-24-841-03-S	1	/P	Kit, cylinder head gasket (Includes head mounting hardware & KH-24 -041-49-S, KH-24-153-27-S)
15	KH-32-318-02-S	1	S	Head assembly, #2 cylinder
16	KH-32-186-03-S	1		Arm, rocker (before S/N 3633510953)
17	KH-25-100-33-S	1		Nut, hex. M10x0.75
18	KH-25-086-128-S	1	S	Screw, set
19	KH-25-599-01-S	1		Pivot, rocker arm
20	KH-12-086-16	1	S	Screw, Hex. flange M10x1.5x90
21	KH-32-072-04-S	1		Screw, hex. flange M6x1.0x45
22	KH-32-096-06-S	1		Kit, valve cover - breather (Includes 2)
23	KH-24-445-01	1	S	Strap, lifting
24	KH-32-146-09-S	1		Guide Plate (Not Illustrated)
25	KH-25-072-04	1	/P	Stud, M8x1.25x33 (Not Illustrated)
26	KH-24-041-49-S	1	/P	Gasket, exhaust manifold (Not Illustrated)
27	KH-M-841080	1	S	Nut, hex. flange M8x1.25 (Not Illustrated)



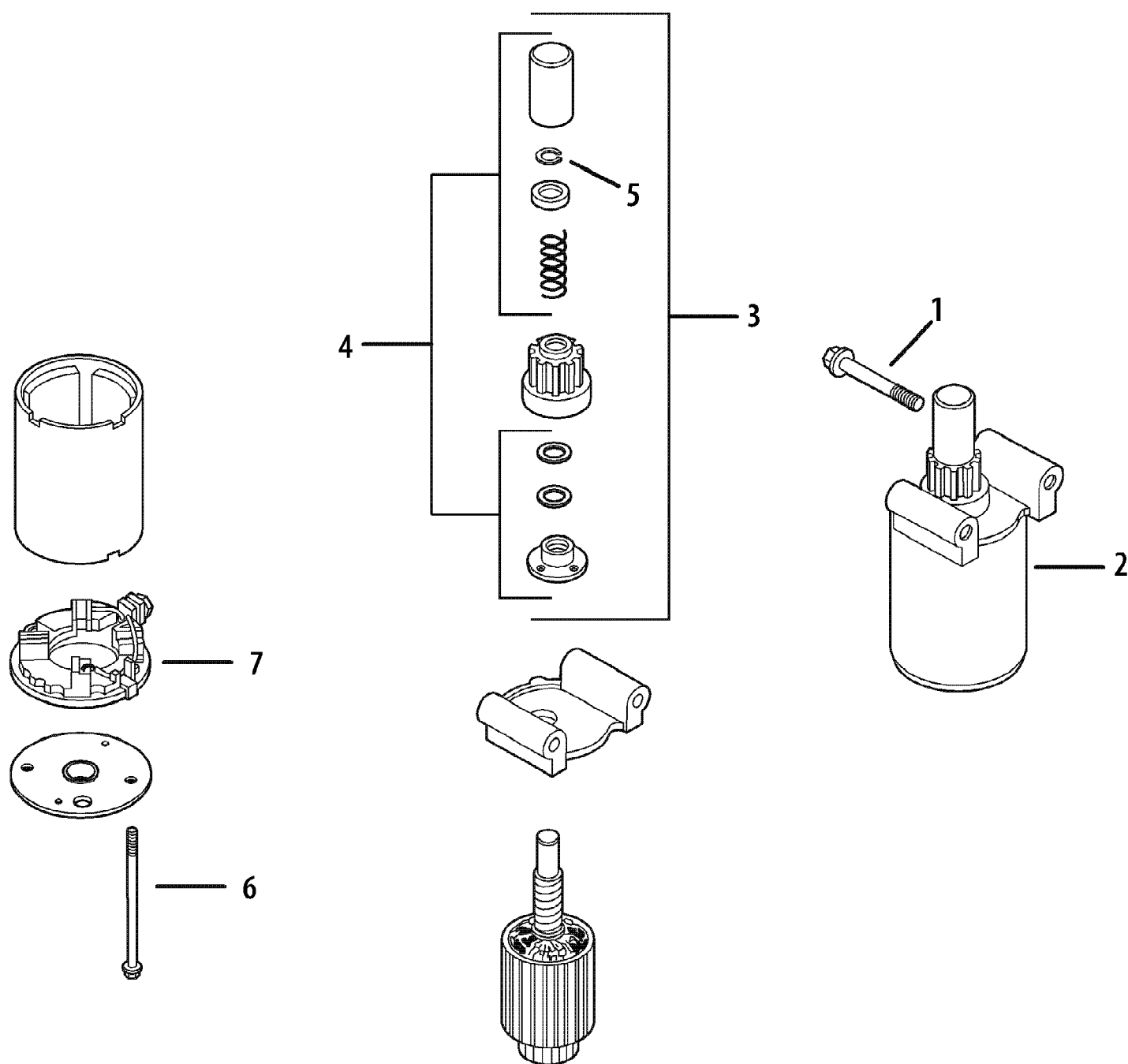
Ref #	Part Number	Qty	S/P/F	Description
1	KH-32-853-04-S	1	S	Kit, carb. w/gaskets (Incl. 2,3)
2	KH-24-041-52-S	1	/P	Gasket, carburetor
3	KH-24-041-14	1	/P	Gasket, air cleaner base
4	KH-M-629105-S	1		Stud, carburetor
5	KH-M-641060-S	1	/P	Nut, hex. flange M6x1.0
6	KH-25-237-14-S	1	/P	Clamp, hose
7	KH-25-111-34-S	1		Line, fuel (In lengths of 24" - Cut to length as needed)
8	KH-25-431-10-S	1		Anti-Abrasion Sleeve
9	KH-25-237-01-S	1		Clamp, hose
10	KH-32-326-02-S	1	S	Hose, fuel pump
11	KH-24-086-12	1		Screw, hex. cap M6x1.7x18
12	KH-24-393-16	1	/P	Pump, pulse fuel
13	KH-25-050-22-S	1	S	Filter, fuel
14	KH-47-154-01-S	1	/P	Clip, cable
	KH-24-757-36-S	1		Kit, service choke repair Not Illustrated
	KH-24-757-38-S	1		Kit, service gasket repair Not Illustrated
	KH-24-757-44-S	1		Kit, float w/gaskets Not Illustrated
	KH-24-757-45-S	1	/P	Kit, solenoid valve w/gaskets Not Illustrated
	KH-24-757-46-S	1	/P	Kit, overhaul w/gaskets Not Illustrated



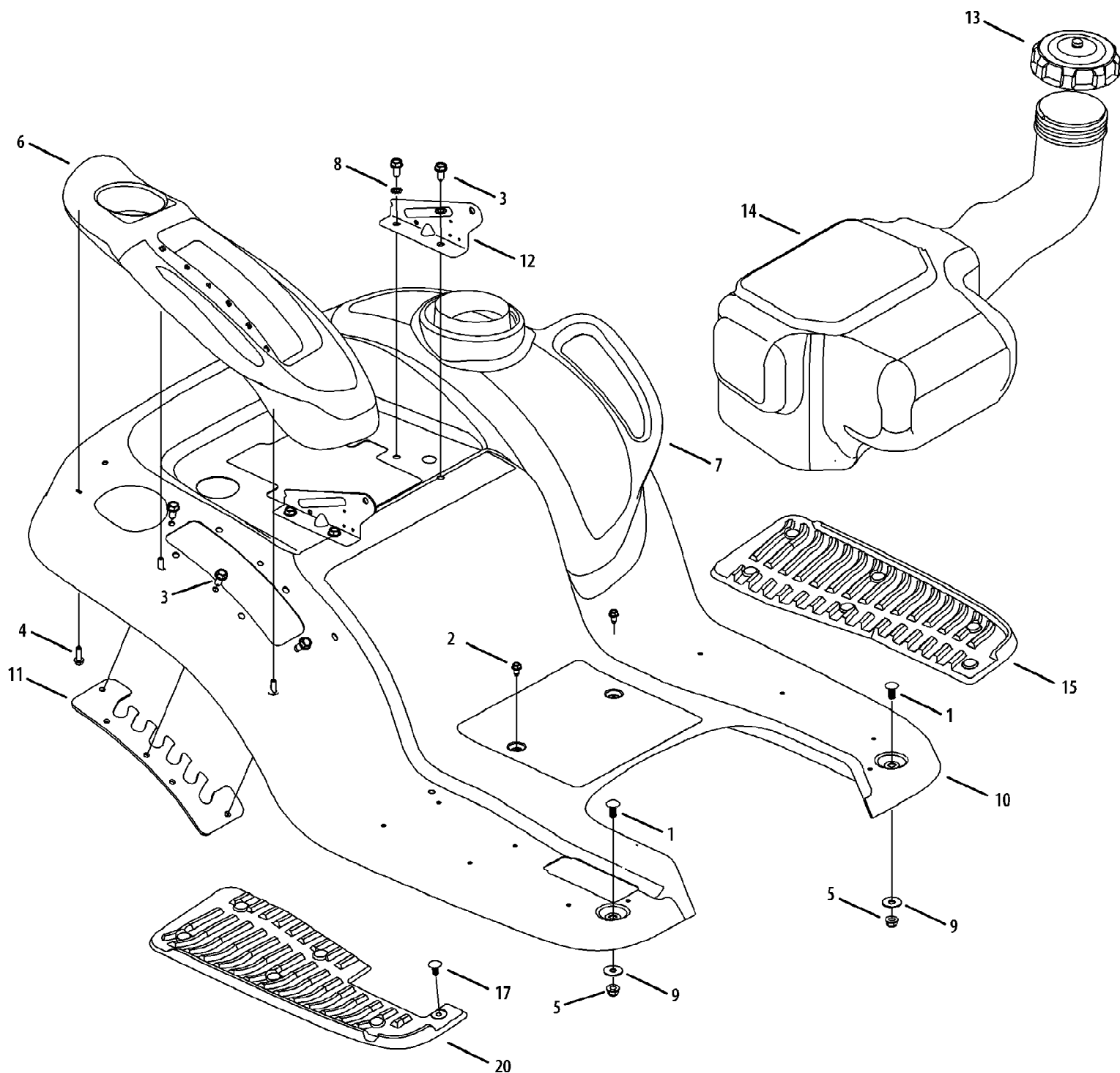
Ref #	Part Number	Qty	S/P/F	Description
1	KH-32-162-03-S	1		Screen, grass
2	KH-12-086-14	1		Screw, hex. flange M10x1.5x45
3	KH-12-468-03	1	/P	Washer, plain 3/8"
4	KH-20-146-05-S	1	/P	Plate, fan mounting
5	KH-32-157-01-S	1		Fan
6	KH-32-025-05-S	1	S	Flywheel
7	KH-X-42-15	1	/P	Key
8	KH-236602-S	1	S	Connector (3 contact)
9	KH-M-551016-S	1		Screw, heavy hex. flange M5x0.8x16
10	KH-41-403-09-S	1		Rectifier-regulator
11	KH-237878	1	/P	Kit, 15 amp stator (Incl. KH-25-452-01-S)
12	KH-M-548025-S	1	/P	Screw, hex. head M5x0.8x25
13	759-3336	1	/P	Spark plug KH-12-132-02
14	KH-24-584-52-S	1	S	Module, ignition
15	KH-M-545020-S	1		Screw, hex. flange M5x0.8x20
	KH-32-176-05-S	1		Kit, Wire Harness Not Illustrated
	KH-25-454-03-S	1		Wire, Tie Not Illustrated
	KH-25-452-01-S	1		Terminal Not Illustrated
	KH-24-584-31-S	1	S	Module, Speed Advance Not Illustrated



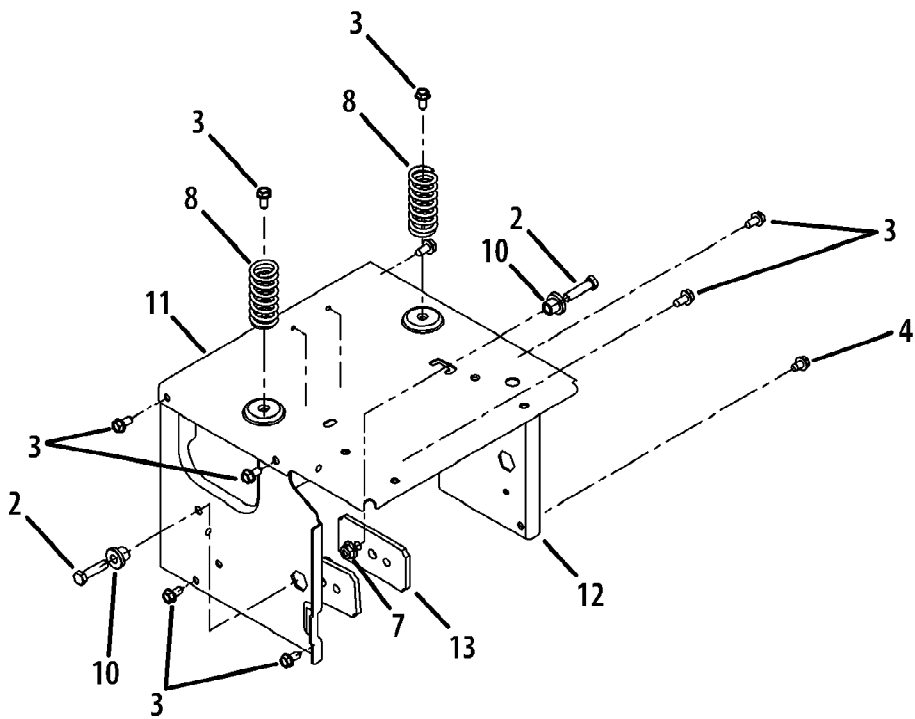
Ref #	Part Number	Qty	S/P/F	Description
1	KH-32-199-07-S	1	S	Pan assembly, oil (Includes 2-15)
2	KH-32-086-01-S	1		Screw, hex. flange thread forming shoulder
3	KH-32-393-10-S	1	/P	Oil pump assembly
4	KH-24-043-12	1	/P	Kit, governor gear w/pin (Includes 5)
5	KH-12-380-01	1	/P	Pin, governor regulating
6	KH-24-448-02-S	1		Tab, locking
7	KH-12-144-02	1		Shaft, governor gear
8	KH-52-032-06-S	1		Seal, oil (PTO end)
9	KH-32-123-01-S	1		Tube, oil feed - filter to oil pan
10	KH-32-123-06-S	1		Tube, oil feed - oil pan to filter
11	KH-24-153-01	1	/P	O-Ring
12	KH-32-029-16-S	1	/P	Adapter, oil filter (Includes 13,14)
13	KH-25-139-60-S	1	/P	Plug, hex. ctsk. 1/8"
14	KH-32-153-04-S	1		O-Ring, oil filter adapter
15	KH-32-136-05-S	1		Nipple, oil filter
16	KH-25-099-27-S	1	/P	Switch, pressure
17	KH-25-050-25-S	1	/P	Filter, Oil
18	KH-24-086-17-S	1	/P	Screw, hex. flange M8x1.25x45
19	KH-25-139-57-S	1	/P	Plug, sq. hd. solid 3/8"



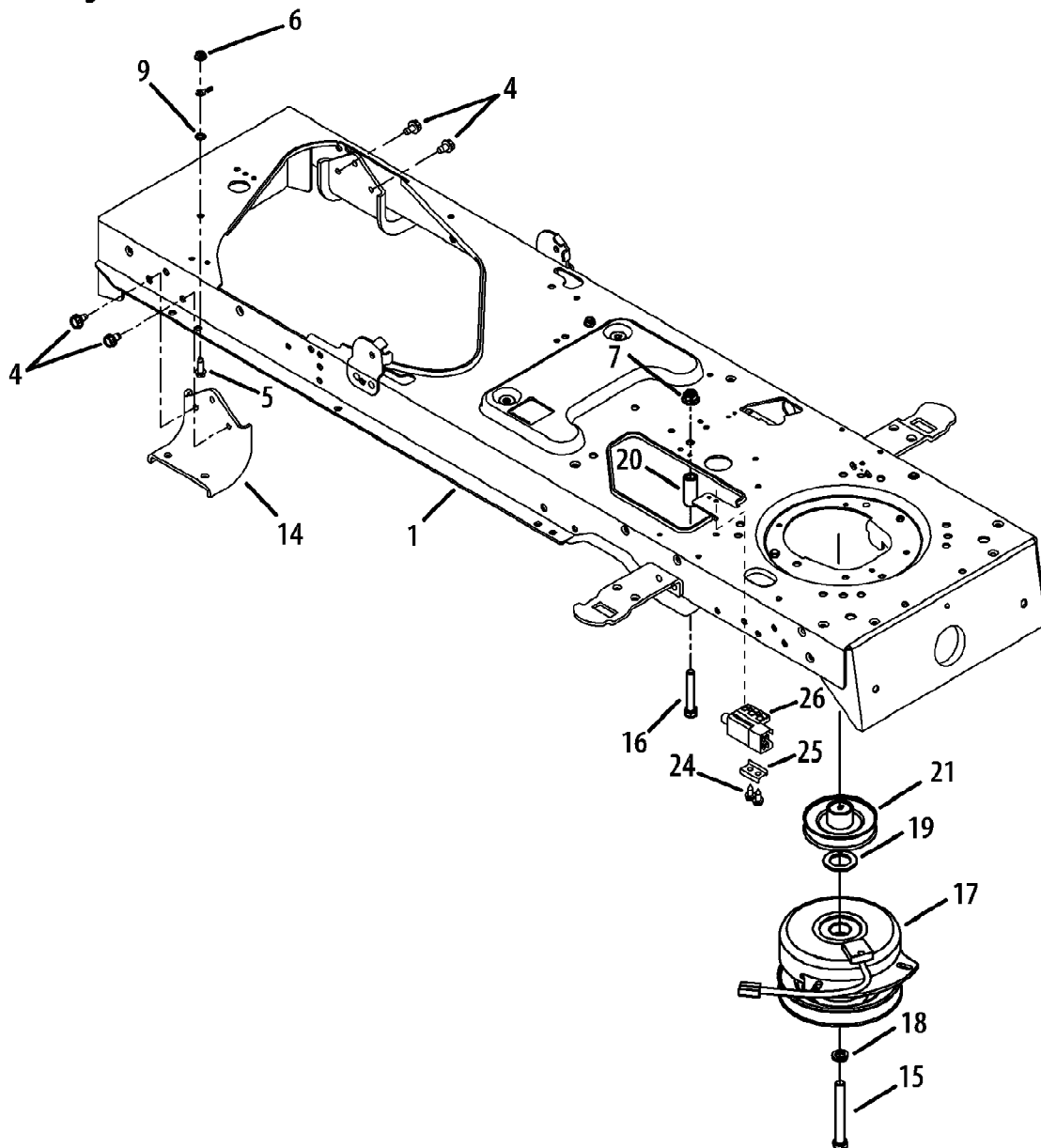
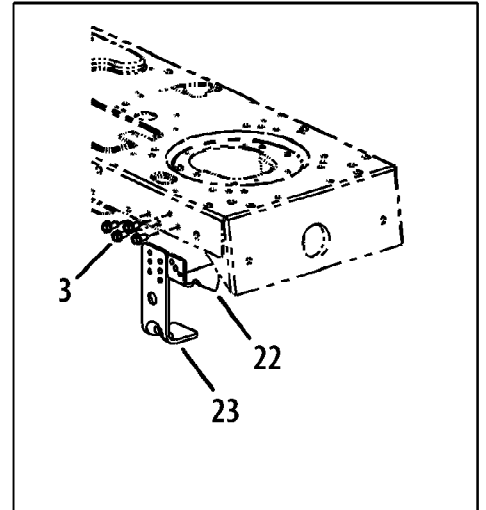
Ref #	Part Number	Qty	S/P/F	Description
1	KH-M-839080	1	S	Screw, hex. flange M8x1.25x70
2	KH-32-098-01-S	1	S	Starter assembly (Includes 3-5)
3	KH-12-755-39-S	1		Kit, drive
4	KH-12-755-38-S	1		Kit, drive parts
5	KH-32-141-01-S	1		Retaining Ring
6	KH-32-211-01-S	1		Thru-bolt
7	KH-12-243-04-S	1		Commutator, end cap



Ref #	Part Number	Qty	S/P/F	Description
1	710-0451	1	/P	Bolt, Carriage, 5/16-18 x .750
2	710-0599	1	/P	Screw, Self-tapping, 1/4-20, 0.500
3	710-04484	1		Screw, 5/16-12, 0.75
4	710-0895	1		Screw, 1/4-15, 0.750
5	712-04063	1	/P	Nut, Nylon Lock, 5/16-18
6	731-2616A	1	S	Cover, Fender, RH
7	731-2617	1		Cover, Fender, LH
8	736-0607	1	/P	Washer, Lock, 5/16 External Tooth
9	736-3078	1	/P	Washer, Flat, .349 x 1.00 x .063
10	783-04477A	1	/P	Fender
11	783-0677B	1		Bracket, Lift, Adjustment
12	783-1489C	1		Bracket, Seat, Mount
13	751-3124D	1	S	Cap, Fuel
14	751-0819B	1	S	Tank, Fuel
15	735-0697A	1		Pad, Foot, LH
16	735-0698B	1		Pad, Foot, RH
17	726-3046	1	/P	Clip, Ratchet, .250 Dia



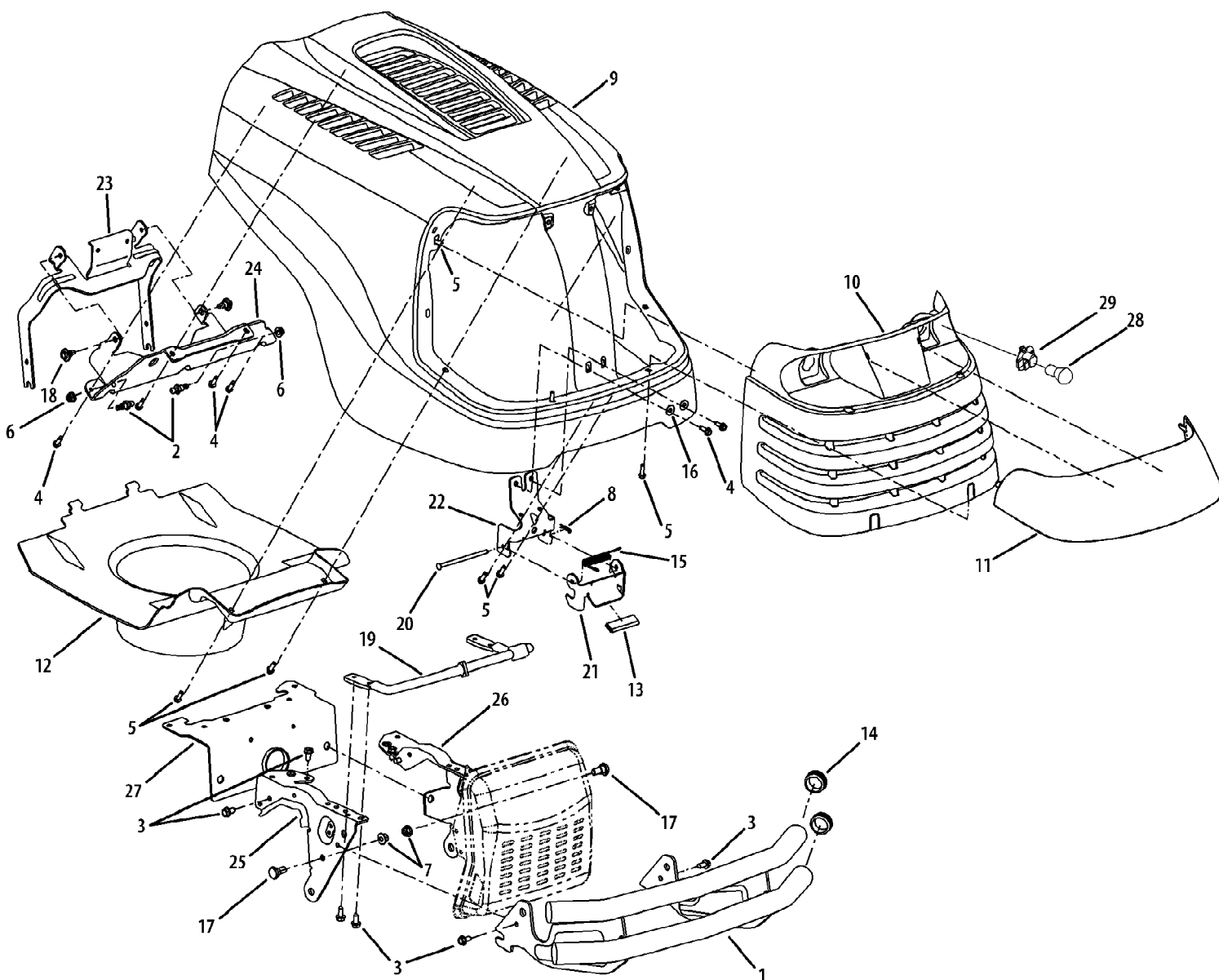
Deck Up-Stop & Clutch Bracket



GT1554 Tractor Courage Engine (14AK13BK) S/N 1K017 & after
Frame & Electric PTO Clutch

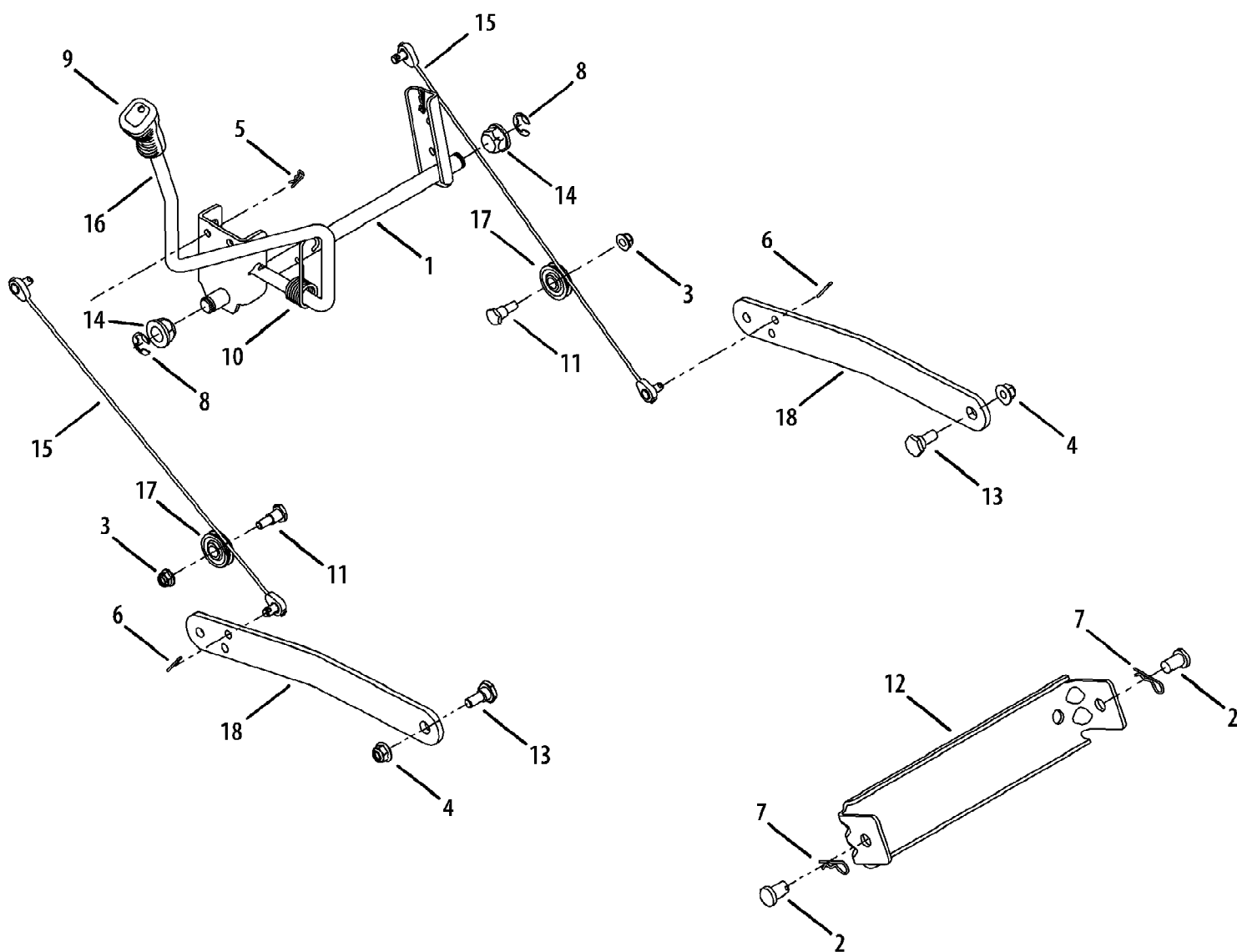
Page 33 of 55

Ref #	Part Number	Qty	S/P/F	Description
1	683-04173B	1		Frame Assembly, Lower
2	710-0520	1	/P	Hex Screw 3/8-16 x 1.25
3	710-04484	1		Screw, Self-tapping, 5/16-18, 0.75
4	710-0607	1	/P	Screw, Hex Wash. Tapp, 5/16-18 x .5
5	710-1652	1	/P	Screw, Hex Wash. Hd. Tapp, 1/4-20 x 0.625
6	712-04064	1	/P	Nut, Nylon Lock, 1/4-20
7	712-04065	1	/P	Nut, Nylon Lock, 3/8-16
8	732-04035	1		Spring, Compression, 1.28 OD x 3.125
9	736-0222	1	S	Washer, Lock, Ext. 1/4
10	738-04058	1		Shoulder Spacer
11	783-04746	1		Bracket, Frame, Seat
12	783-04808C	1		Frame, Upper
13	783-05005	1		Support Plate
14	783-0693	1		Axle Bracket
15	710-04379A	1		Screw, Hex Cap , 7/16-20 x 3.5 GR5
16	710-3011	1	/P	Screw, 3/8-16 x 2.25 GR5
17	717-1774C	1	S	Clutch, PTO
18	736-0171	1	S	Washer, Lock, 7/16, Regular Duty
19	736-0277	1		Washer, Flat, 1.031 x 1.62 x .095
20	748-0415B	1	/P	Spacer, 3/8 x 1.54
21	756-0978B	1	/P	Electric PTO Engine Pulley
22	783-04419B	1	S	Clutch Bracket
23	783-04467	1		Deck Up-stop Bracket
24	710-0224	1	S	Screw, #10 - 16, x .500
25	17962	1		Switch Mounting Plate
26	725-04039	1	S	Interlock Switch

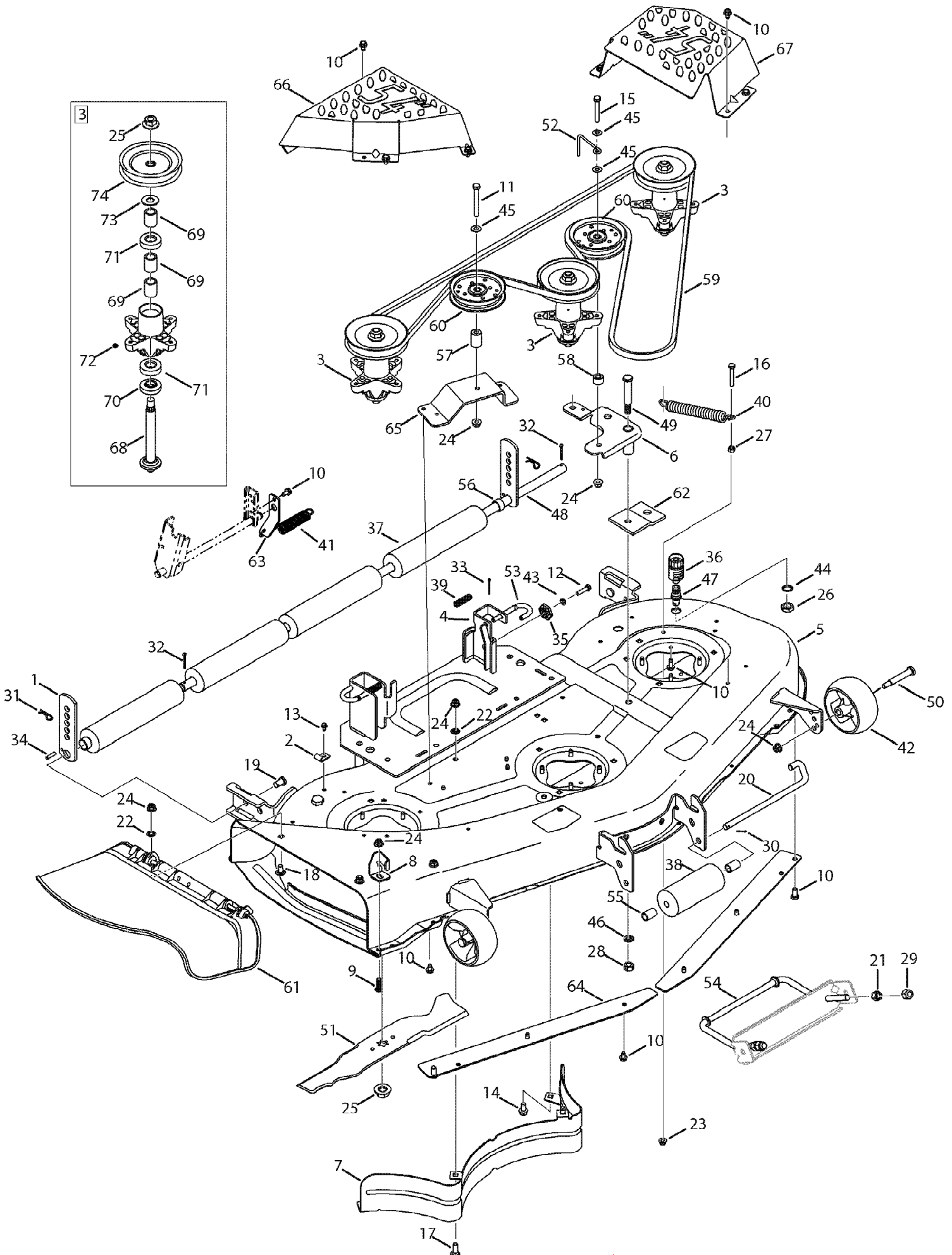


Ref #	Part Number	Qty	S/P/F	Description
1	683-04218	1	S	Bumper
2	710-04471	1		Bolt, Ball Shoulder, 5/16-18 x .48
3	710-04484	1		Screw, Hex, 5/16-18 x .750
4	710-0642	1	/P	Screw, Self Tapp, 1/4-20 x.750
5	710-0895	1		Screw, 1/4-15 x.750
6	712-04063	1	/P	Nut, Flange Lock, 5/16-18
7	712-04065	1	/P	Nut, Nylon Lock, 3/8-16
8	714-0104	1	S	Pin, Cotter,.072 Dia. x 1.13
9	759-04209	1	/P	Hood, Service Kit (contains 931-06887, 726-0233, 710-1242 and installation instructions)
9	931-06887	1	S	Hood Labels not included, Replaces 731-05053B
9	726-0233	4	/P	Push Nut .25ID x .50 OD Not Shown, use with 931-06887
9	710-1242	4	/P	Screw, Hi Low 5/16-14 x .75 Not Shown, use with 931-06887
10	731-05103	1	S	Grill
11	731-05111	1	S	Lens
12	731-05129	1		Hood Plenum
13	731-05291	1	S	Vinyl Strip, 2.5"
14	731-05368	1		Cap, Bumper
15	732-04281A	1	/P	Latch Spring
16	736-0173	1	/P	Washer, Flat, .28 x .74 x .063
17	738-0143	1	/P	Screw, Shoulder, 3/8-16
18	738-04091A	1	/P	Screw, Shoulder, 5/16-18
19	747-04494	1		Hood Latch Rod
20	747-1323A	1		Rod,.250 Dia. x 4.55
21	783-04717A	1	/P	Latch Pivot Bracket
22	783-04848	1		Latch Plate
23	783-05028	1	S	Hood Pivot Rod
24	783-05029A	1	S	Hood Hinge Bracket
25	783-0726E	1	/P	Pivot Support Bracket, RH
26	783-0727D	1		Pivot Support Bracket, LH
27	783-0728B	1		Pivot Bar Bracket
28	725-0963	1	S	Miniature Lamp, 12V
29	725-1649	1	S	Lamp Socket
	629-04142A	1	/P	Headlight Harness Not Shown

Ref #	Part Number	Qty	S/P/F	Description
777I22679	777I22679	1		LABEL-CHECK ENG OIL
777S30015	777S30015	1		LBL.RIDER DNGR.STRAIGT
777I22265	777I22265	1		LABEL-BELT ROUTE
777D10781	777D10781	1		LABEL-54" CUT BLUE
777S30503	777S30503	1	/P	LABEL-DANGER CHUTE
777S30284	977S30145	1	/P	LABEL
777D10624	777D10624	1		LABEL-RIDER:DECK WASH CUB
777D10633	777D10633	1		LABEL-CYCLO CUT
777I20809	777I20809	1		LABEL-TRANS RELEASE
777D10279	777D10279	1		LABEL-REAR FENDER
777D08736	777D08736	1		LABEL-RH SIDE GT1554
777D08737	777D08737	1		LABEL-LH SIDE GT1554
777D09639	777D09639	1		LABEL-LFT SIDE HOOD
777D09638	777D09638	1		LABEL-RGT SIDE HOOD
777X42072	777X42072	1		LABEL-GRILLE RIB
777X42036	777X42036	1		LABEL: CUB RIDER
777X42536	777X42536	1		LABEL-PARTS LIST GT1554
777I22280	977I22280	1	/P	LABEL-THROTTLE
777I22459	777I22459	1		LABEL-DASH PANEL
777I20310	777I20310	1		LABEL-SEAT ADJUSTE
777I22241	777I22241	1		LABEL-FUEL LEVEL
777S32584	777S32584	1		LABEL-FRAME COVER

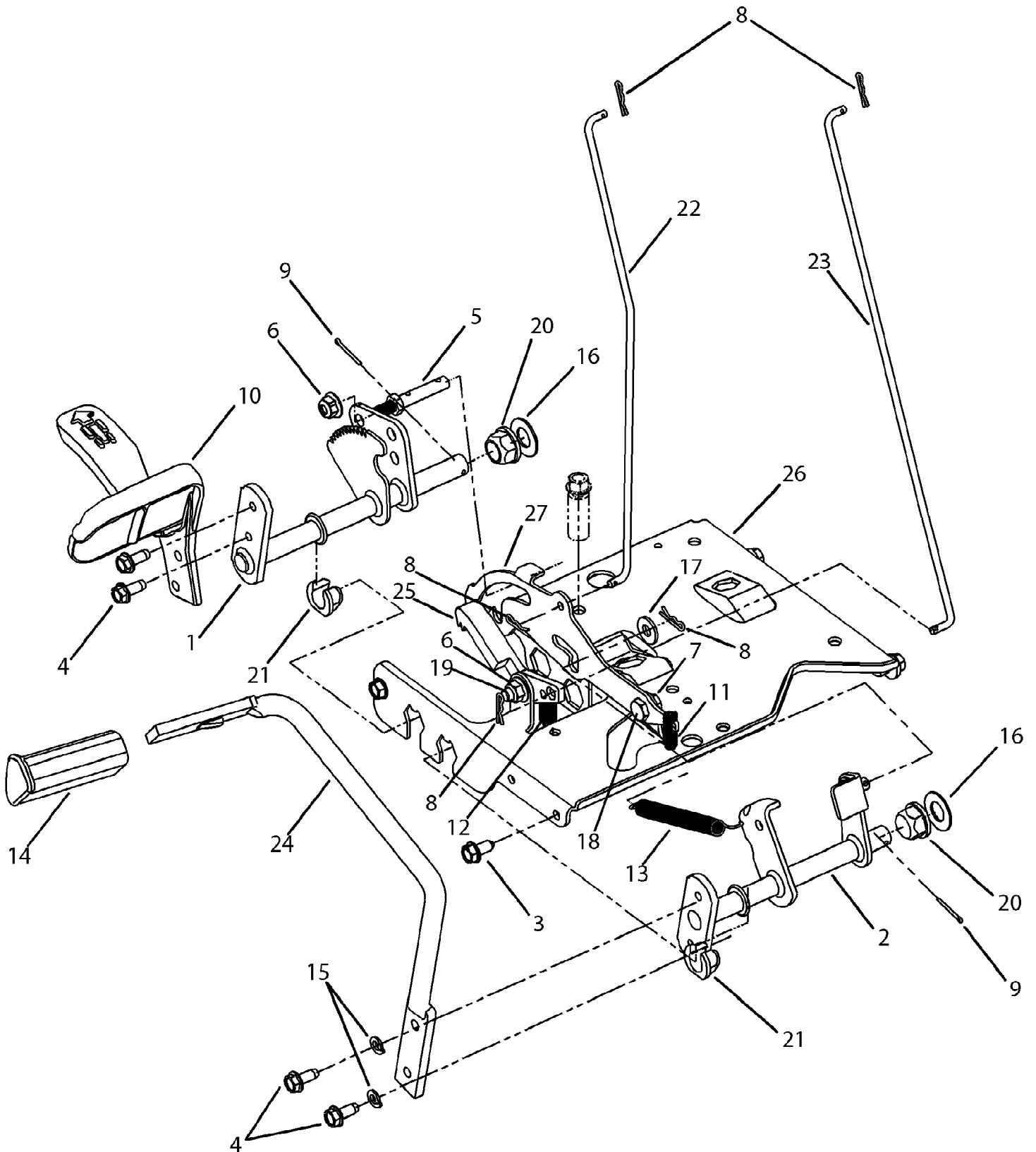


Ref #	Part Number	Qty	S/P/F	Description
1	683-04301	1	S	Shaft Assembly, Lift (54" Deck)
2	711-0332	1	S	Pin, Clevis, .50 Dia x .78 Lg
3	712-04063	1	/P	Nut, Nylon Lock, 5/16-18, Gr5
4	712-04065	1	/P	Nut, Nylon Lock, 3/8-16
5	714-0104	1	S	Pin, Cotter, .072 Dia. x 1.13 Lg
6	714-0111	1	S	Pin, Cotter, 3/32, 1.0
7	714-04023	1	S	Pin, Click, .092 x 1.64 Lg
8	716-0106A	1		E-ring, .625 Dia. Shaft
9	720-0311	1		Grip, Handle
10	732-0874	1	/P	Spring, Torsion
11	738-0138A	1	/P	Screw, Hex Cap, 5/16-18x.620 Gr2
12	783-0720A	1	S	Bracket, Deck
13	738-0380	1	S	Shldr. Screw, 3/8-16
14	741-0225	1	S	Bearing, Hex Flange
15	746-0968	1		Cable, Lift, 16.16 Lg
16	747-04447	1		Handle, Lift
17	756-1154	1		Pulley, Roller
18	783-05546	1	S	Arm, Lift

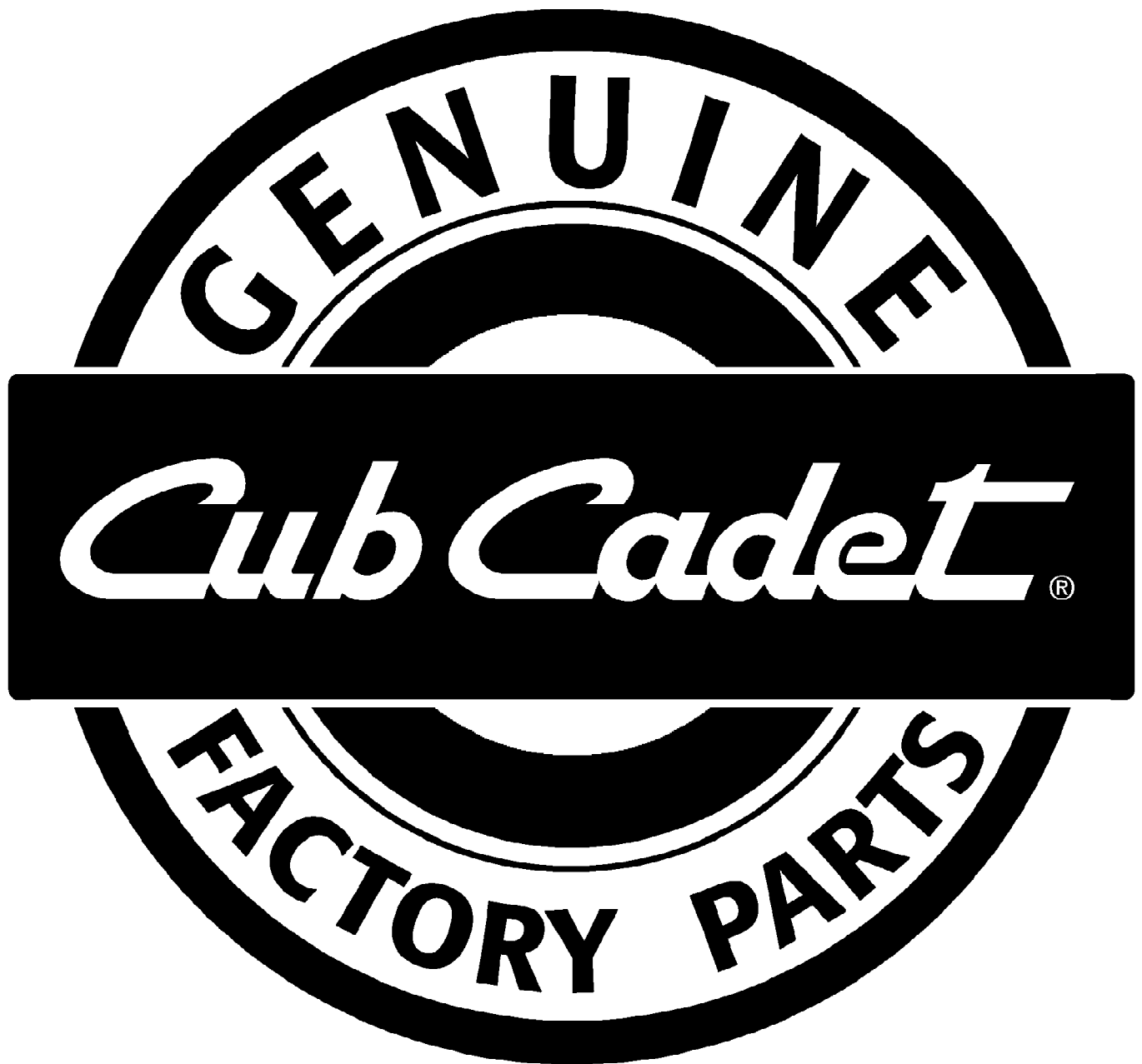


Ref #	Part Number	Qty	S/P/F	Description
1	12650	1		Bracket, Adjustment, Height
2	16606	1	S	Bracket, Hook, Retainer
3	618-0671B	1	S	Spindle Assembly, Pulley, 5.39 Dia.
4	683-0254B	1	/P	Bracket Assembly, Deck, Hanger LH
5	683-04483	1		Deck Shell Assembly, 54"
6	683-0459	1		Idler Assembly, 54"
7	703-2093	1		Baffle
8	703-3279	1		Stop Assembly, Chute
9	710-04095	1		Hex Screw, 3/8-16, 1.00
10	710-04484	1		Screw, Self-tapping, 5/16-18, 7.50
11	710-0521	1	/P	Hex Screw, 3/8-16, 3.00
12	710-0528	1	/P	Hex Screw, 5/16-18, 1.25, Gr5,
13	710-0599	1	/P	Screw, Hex, 1/4-20, 0.500
14	710-0623	1	/P	Screw, Self-tapping, 3/8-16, 7.50
15	710-0859	1	/P	Screw, Self-tapping, 3/8-16, 2.50
16	710-3103	1	/P	Screw, Self-tapping, 5/16-18, 2.000
17	710-3168	1	/P	Bolt, Carriage, 3/8-16 x 1.0
18	710-3178	1	/P	Short Neck Carriage Bolt
19	711-0332	1	S	Pin, Clevis, .50 Dia x .78
20	711-1737	1		Pin, Roller, .5" Dia x 10.06 .
21	712-0206	1	S	Nut, Hex Lock, 1/2-13
22	712-0229	1		Push Nut, 3/8
23	712-04063	1	/P	Nut, Flange Lock, 5/16-18, Gr5
24	712-04065	1	/P	Nut, Flange Lock, 3/8-16
25	712-0417A	1	/P	Nut, Hex Flange, 5/8-18
26	712-0641	1	S	Hex Nut, M-16 x 1.5
27	712-3010	1	S	Nut, Hex, 5/16-18, Gr5
28	712-3022	1	/P	Nut, Hex Lock, 1/2-13
29	712-3083	1	/P	Nut, Hex Lock, 1/2-13
30	714-0111	1	S	Pin, Cotter, 3/32 x 1.00
31	714-0145	1	S	Pin, Click, .092 x 1.64
32	714-0162	1	/P	Pin, Click, 5/32 x 1.25
33	714-0470	1	S	Pin, Cotter, 1/8 x 1.25
34	715-0108	1	/P	Pin, Sprg, 1/4 Dia x 1.00
35	717-04074	1	S	Adjustment, Deck, Gear
36	721-04041	1	S	Hose Coupler
37	731-0335	1		Roller, Deck
38	731-05679	1		Front Roller
39	732-0306A	1	S	Spring, Compression, .531 x 1.75
40	732-0459C	1	/P	Spring, Extension, .94 Dia x 6.74
41	732-0971	1		Spring, Extension, Deck Lift Assist
42	734-04155	1		Deck Wheel, 5" Dia.
43	736-0119	1	S	Washer, Lock, 5/16, Regular Duty
44	736-0225	1	/P	Lock Washer, 5/8
45	736-0300	1	S	Flat Washer, .406 x .875 x .059
46	736-0921	1	S	Washer, Lock, 1/2 , Regular Duty
47	737-04003D	1	/P	Water Port
48	738-0295	1		Shoulder Screw, .750 x .47 x .12
49	738-1229A	1	/P	Shoulder Screw, 5/8 Dia x 2.50
50	738-3056	1	S	Shoulder Screw, 1/2 Dia x 2.50
51	742-0677B	1	S	Blade, 18.50"
52	747-04938	1		Belt Keeper Rod
53	747-1116	1	/P	Deck Release Handle Rod, .375 Dia

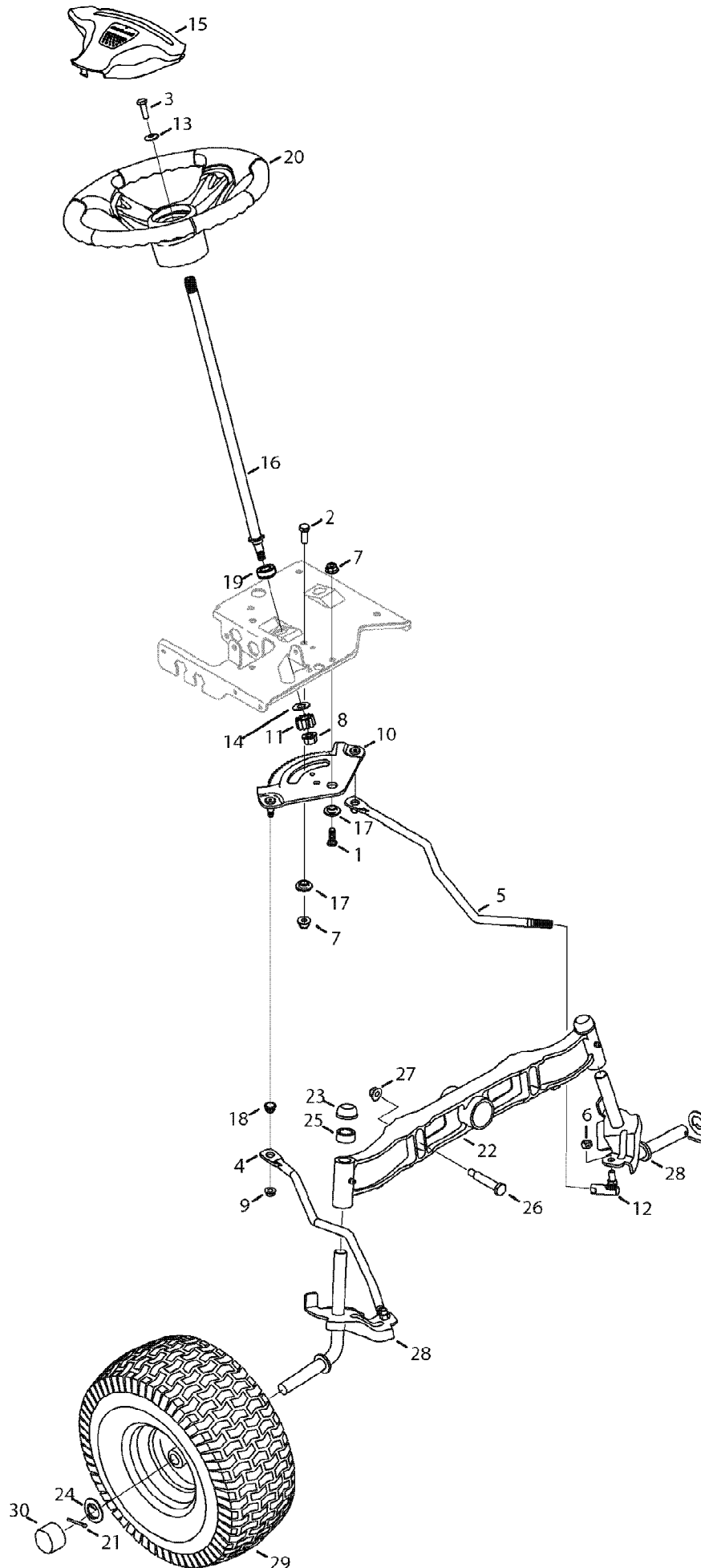
Ref #	Part Number	Qty	S/P/F	Description
54	747-1324	1		Adjustable Front Deck Rod
55	750-0151	1	S	Spacer .550 ID x .755 OD x 1.1
56	750-0212	1	S	Spacer, .82 ID x 1.00 OD x .53
57	750-04597	1		Spacer, .380 x .90 x 1.313
58	750-0933	1		Spacer, .385 x .88 x .64
59	754-0642	1	S	Belt, V-Type, B Section
60	756-04129	1	S	Pulley, Idler, 4.25 Dia.
61	631-04070A	1	/P	Deflector Assembly, Chute
62	783-04013A	1		Pulley Stabilizer Bracket
63	783-04462	1		Lift Bracket
64	783-04690B	1	/P	Skirt, Deck
65	783-04726	1		Bracket, Stationary Idler
66	783-1470A	1		Cover, Spindle RH
67	783-1471	1		Cover, Spindle LH
68	738-1197	1		Shaft, Spindle, 6.95
69	750-1000	1		Spacer, .800 x 1.10 x 1.322
70	750-1349A	1	/P	Spacer, 79 x 1.84 x .55
71	741-0919	1	S	Ball Bearing, .787 x 1.85 x .551
72	737-3000	1	S	Lube Fitting, 3/16
73	748-0160A	1		Spacer, .790 x 1.25 x .175
74	756-04216	1		Pulley, 5.39"



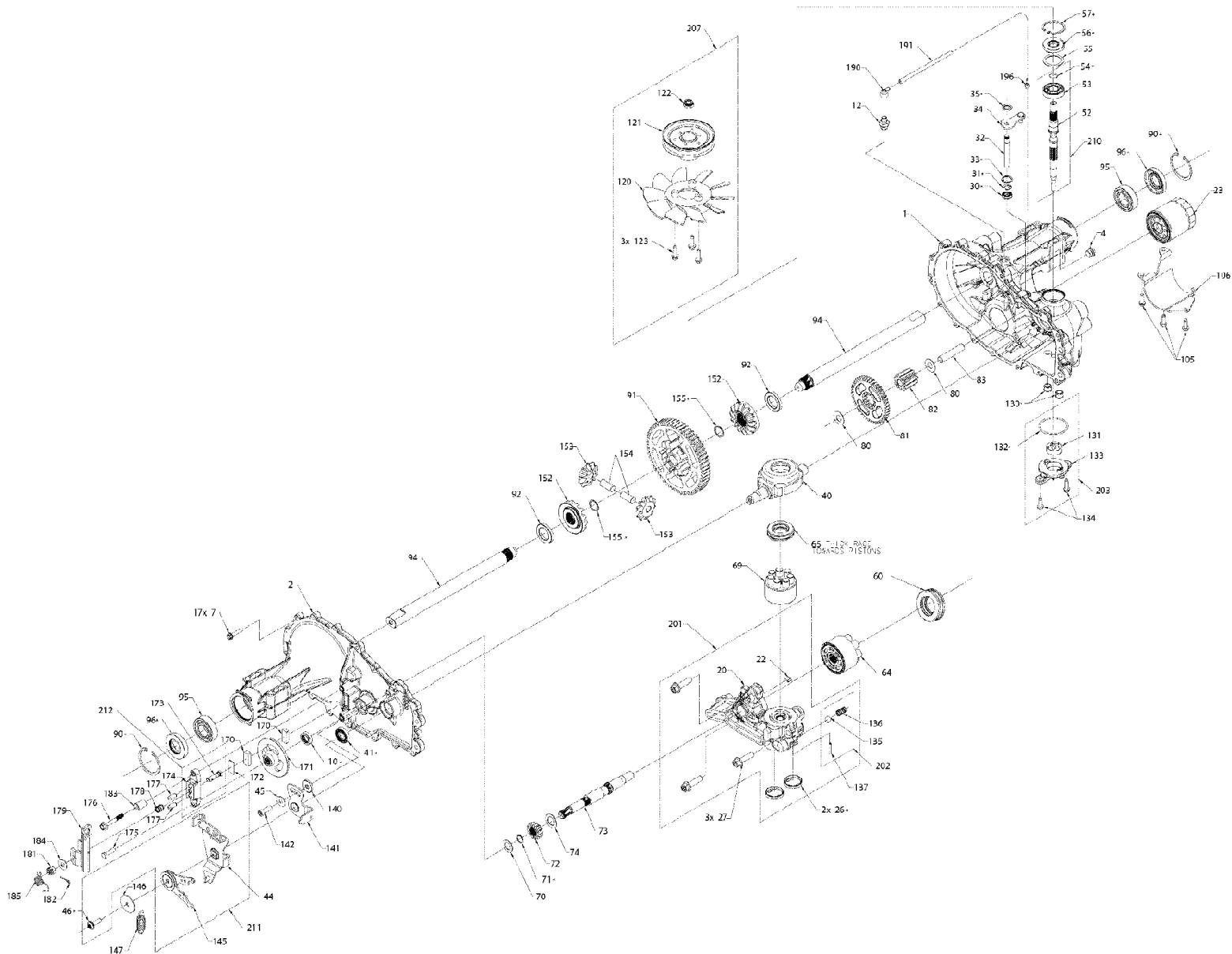
Ref #	Part Number	Qty	S/P/F	Description
1	647-0049A	1	S	Control Assembly, Hydro
2	647-04100	1	S	Control Assembly, Brake
3	710-04484	1		Screw, Self-tapping, 5/16-18, 0.75
4	710-1260A	1	/P	Screw, Self-tapping, 5/16-18, 0.75
5	711-04159B	1		Pin, 3/8-16, 3/8 x 2.68
6	712-04065	1	/P	Nut, Nylon Lock, 3/8-16
7	712-3004A	1	/P	Nut, Flange Lock, 5/16-18, Gr5
8	714-0104	1	S	Pin, Cotter, .072 Dia. x 1.13 Lg
9	714-0111	1	S	Pin, Cotter, 3/32, 1.0
10	719-0584B	1	S	Pedal, Hydro Control
11	732-0335	1		Spring, Compression, .405 x 1.17
12	732-0955	1		Spring, Extension, .50 OD x 1.41 Lg
13	732-0963	1		Spring, Extension, .50 Dia x 6.37 Lg
14	735-3049A	1	/P	Pad, Brake, Control
15	736-0119	1	S	Washer, Lock, 5/16
16	736-0187	1	/P	Washer, Flat .64 x 1.24 x .06
17	736-0262	1	/P	Washer, Flat, .385 x .870 x .092
18	738-0155	1	S	Shoulder, Screw .437
19	738-0380	1	S	Shoulder, Screw 3/8-16
20	741-0225	1	S	Bearing, Hex Flange
21	741-3065B	1	/P	Bearing, Hex Flange, .628 ID, Split
22	747-04093A	1		Rod, Control, Brake Lock
23	747-04096	1		Rod, Control, Cruise
24	783-04641A	1		Pedal, Brake
25	748-04039C	1		Latch, Cruise
26	783-04612	1	S	Bracket, Support, Stearing
27	783-0663E	1	/P	Bracket, Lockout, Hydro



Ref #	Part Number	Qty	S/P/F	Description
	759-3336	1	/P	Spark Plug
	KH-32-883-03-S1	1	/P	Air Filter & Pre-Cleaner
	KH-25-050-25-S	1	/P	Oil Filter
	KH-25-050-22-S1	1	/P	Fuel Filter
	KH-24-584-36-S	1	/P	Ignition Module
	KH-41-403-09	1	S	Voltage Regulator
	KH-24-393-16	1	/P	Fuel Pump
	KH-24-757-46-S	1	/P	Carb Kit
	KH-24-757-45-S	1	/P	Carburetor Solenoid
	954-0349	1	/P	Drive Belt (Trans)
	954-0642	1	/P	P.T.O. / Deck Belt
	942-0677B	1	/P	Blades (742-0677B) Replaces 942-0677A
	942-0678	1	/P	Blades, Mulch (742-0678) Use with 841 Mulch Kit
	712-0417A	1	/P	Blade Nut
	918-0671B	1	S	Spindle Assy. w/Pulley
	734-04155	1		Deck Wheels (Front)
	731-0335	1		Deck Wheels (Back) quantity of 4 rollers across back.
	921-04041	1	/P	Water Nozzle Adapter
	923-0448A	1	/P	Ball Joints
	925-04040	1	/P	Brake Switch
	951-3124D	1	S	Fuel Cap
	725-04439	1		Solenoid
	725-2054	1	S	Ignition Keys
	925-04227B	1	/P	Ignition Switch Module
	925-04175	1	/P	P.T.O. Switch
	725-1648	1	S	P.T.O. Relay
	721-0342	1	S	Gasket USE WITH 725-1648
	917-1774C	1	/P	P.T.O. Clutch
	OEM-190-784	1	/P	Wheel Weights Accessory
	OEM-190-964	1	/P	Tire Chains, 23" Accessory
	KH-25-357-05-S	1	S	Engine Oil
	737-3121	1	/P	Transmission Fluid, Gallon
	490-900-0041	1		Deck Leveling Guage Accessory
	KH-32-522-03	1		Shortblock
	KH-32-755-01-S	1		Gasket Kit



Ref #	Part Number	Qty	S/P/F	Description
1	710-04095	1		Hex Cap Screw, 3/8-16, 1.00
2	710-0514	1	/P	Hex Cap Screw, 3/8-16, 1.00, Gr5, Std
3	710-0650	1	/P	Self-tapping Screw, 5/16-18 x .75
4	711-1408	1		Link, Drag, RH
5	711-1409A	1	/P	Link, Drag, LH
6	712-0214	1	S	Nut, Hex, 3/8-24, Gr5
7	712-04065	1	/P	Nut, Nylon Lock, 3/8-16
8	712-0459	1	/P	Nut, Flange Lock, 7/16-20
9	712-3004A	1	/P	Nut, Flange Lock, 5/16-18
10	717-1550E	1	S	Gear, Steering, 11/90 Ratio
11	717-1554	1		Gear, Pinion, Steering
12	723-0448A	1	S	Ball Joint, 7/16-20
13	736-3004	1	S	Washer, Flat, .406 x .875 x .105
14	736-3084	1	/P	Washer, Flat, .510 x 1.120 x .060
15	731-04532A	1	/P	Cover, Steering Wheel
16	738-04262	1		Shaft, Steering, .625 OD x 25.00 Lg
17	738-04154	1		Spacer, Shoulder, 1.00 x .38 x .38
18	741-0475	1	S	Bushing, Plastic, .380 ID
19	741-04237	1		Bearing, Hex Flange, 5/8
20	631-04008A	1	/P	Wheel, Steering, Three Spoke
21	714-0162	1	/P	Pin, Cotter, 5/32, 1.25
22	719-04177A	1		Axle, Pivot Bar, Cast
22	737-3000	1	S	Fitting, Lube, 3/16 Drive Type Not Shown
22	737-0475	1	/P	Fitting, Lube, M6 Threaded Type Not Shown
23	726-0341	1	/P	Push Cap, .75
24	736-04228A	1		Washer, Flat, .781 x 1.590
25	748-04068	1		Spacer, .71 x .125 x .56
26	738-1011A	1	/P	Screw, Shoulder, .500 x 2.23, 3/8-16
27	712-04065	1	/P	Nut, Jam, 3/8-16, Grf.
28	638-04003A	1	S	Axle Ass'y, LH .750 Dia.
28	638-04004A	1	S	Axle Ass'y, RH .750 Dia.
29	N/A	1		Wheel Assembly (See Wheel Assembly for breakdown)
30	731-05674	1	/P	Hub Cap

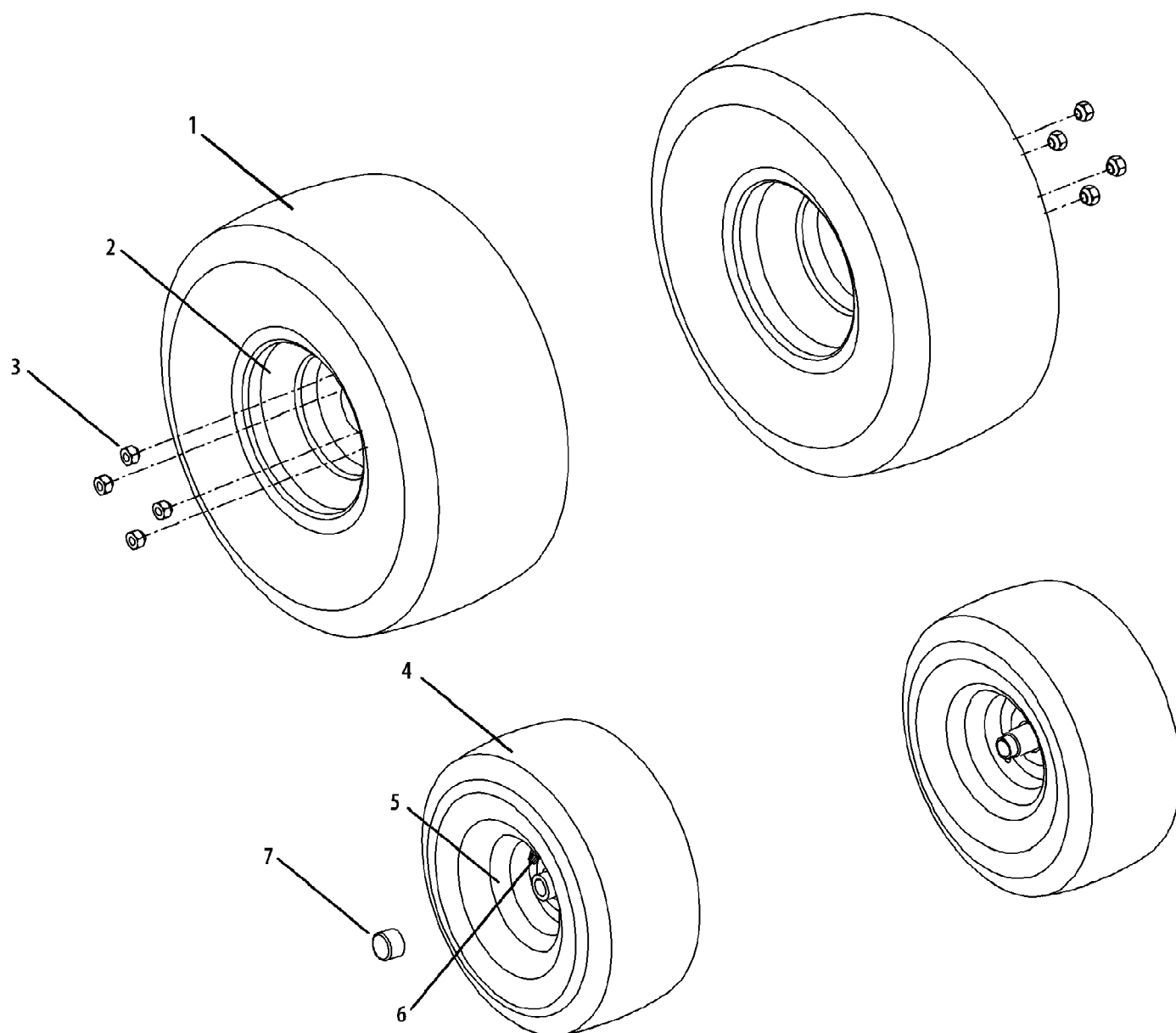


Ref #	Part Number	Qty	S/P/F	Description
1	HG-71629	1		KIT, HOUSING MAIN HOUSING, MAIN; PIN, STANDARD HEADLESS; BUSHING, .624 X .719 X .562; BUSHING, .865 X .985 X .790; BEARING, FLANGE 1.0 X 1.376 X .99
2	HG-71630	1		KIT, HOUSING SIDE HOUSING, SIDE; BUSHING, .624 X .729 X .562; BUSHING, .865 X .985 X .790; BEARING, FLANGE 1.0 X 1.376 X .99
4	HG-9005110-5600	1	/P	PLUG 9/16-18 (METAL)
6		2		PIN, STANDARD HEADLESS included in HG-71632 Seal Kit
7	HG-51190	17	/P	SCREW-HEX FLANGE
10	HG-44761	1	S	SEAL, LIP .625 X 1.0 included in HG-71632 Seal Kit
12	HG-52558	1		ASSEMBLY, FITTING METAL
20	N/A	1		CENTER SECTION, LH CHRGR Order Ref 201 HG-71639
22	HG-51448	1		PLATE, BYPASS included in HG-71639 KIT, CENTER SECTION LH CHRGR
23	HG-52114	1	/P	FILTER, OIL
24	HG-50564	1		CHECK PLUG included in HG-71639 KIT, CENTER SECTION LH CHRGR
25	HG-50564	1		CHECK PLUG included in HG-71639 KIT, CENTER SECTION LH CHRGR
26	HG-52162	2		SEAL, PLUG 1.250 X .250 included in HG-71632 Seal Kit
26	HG-52162	2		SEAL, PLUG 1.250 X .250 included in HG-71639 KIT, CENTER SECTION LH CHRGR
27	HG-52137	3		HFHCS 3/8-16 X 1.5 (PATCH) included in HG-71639 KIT, CENTER SECTION LH CHRGR
28	HG-2003071	1		BRG,JRNL included in HG-71639 KIT, CENTER SECTION LH CHRGR
30	HG-51626	1		SEAL, LIP .375 x .75 x .25 included in HG-71632 Seal Kit
31	HG-51628	1	/P	RING, RETAINING .375 EXTERNAL included in HG-71632 Seal Kit
32	HG-52136	1		ROD, BYPASS
33	HG-51627	1		RING, RETAINING .750 INTERNAL included in HG-71632 Seal Kit
34	HG-51910	1		ARM, BYPASS
35	HG-51630	1	/P	RING, RETAINING .375 EXTERNAL included in HG-71632 Seal Kit
35	HG-9001214-4400	1		RING, RETAINING .375 EXTERNAL included in HG-71436 KIT, CHARGE RELIEF
40	HG-51048	1		BRG,JRNL, WASHPATE

Ref #	Part Number	Qty	S/P/F	Description
41	HG-51140	1	/P	SEAL, LIP 18 X 32 X 7 included in HG-71632 Seal Kit
44	N/A	1		ARM, CONTROL Order Ref 211 HG-71827
45	HG-44130	1	S	WASHER, .24 X .88 X .06
46	HG-51812	1	/P	TWHCS 5.16-24 X 1.00 (PATCH) included in HG-71632 Seal Kit
46	HG-51812	1	/P	TWHCS 5.16-24 X 1.00 (PATCH) included in HG-71827 KIT, RTN BIDIRECTIONAL
52	HG-52155	1		SHAFT INPUT included in HG-71713 KIT, FAN/PULLEY
53	HG-50315	1		BRG. BALL 17 X 40 X 12 OPEN 6203 included in HG-71713 KIT, FAN/PULLEY
54	HG-2000022	1	/P	RING, RET WIRE .561 ID included in HG-71632 Seal Kit
54	HG-2000022	1	/P	RING, RET WIRE .561 ID included in HG-71713 KIT, FAN/PULLEY
55	HG-50951	1	/P	WASHER, 1.23 X 1.56 X .04
56	HG-51161	1	/P	SEAL, LIP 17 X 40 X 7 included in HG-71632 Seal Kit
57	HG-50329	1	/P	RING, RETAINING 1.575 INTERNAL included in HG-71632 Seal Kit
60	HG-51462	1		BEARING THRUST
64	HG-70735	1		ASSEMBLY, CYLINDER BLOCK 16CC
65	HG-50551	1	S	BEARING, THRUST BALL 30 X 52 X 13
69	HG-70723	1	/P	ASSEMBLY, BLOCK 7 PISTON
70	HG-44371	1	/P	WASHER, .63 X 1.0 X .05
71	HG-44145	1		RING, RETAINING .625 EXTERNAL
72	HG-52109	1		GEAR, 14T
73	HG-52585	1		SHAFT MOTOR
74	HG-51069	1		WASHER, .72 X 1.16 X .04
80	HG-50132	2	/P	WASHER, .5 X 1.0 X .03
81	HG-52110	1		GEAR, 45T
82	HG-52583	1		GEAR, 11T
83	HG-51083	1		PIN, JACKSHAFT
90	HG-50859	2		RING, RETAINING 2.06 INTERNAL included in HG-71632 Seal Kit
91	HG-52577	1		GEAR, 60T
92	HG-51939	2		SPACER, 1.04 X 1.65 X .22
94	HG-52564	2	S	SHAFT, AXLE 1.00 X 13.37, DD
95	HG-50771	2	/P	BEARING, BALL 1.0 X 52 X 15
96	HG-50772	2	/P	SEAL, LIP 25 X 52 X 10 TC (GRAY) included in HG-71632 Seal Kit
105	HG-50752	3	/P	HFHCS 1/4-20 X .75
106	HG-52247	1		GUARD, FILTER , LH
120	HG-52955	1	/P	FAN 7.0 (10 BLADE) included in HG-71713 KIT, FAN/PULLEY

Ref #	Part Number	Qty	S/P/F	Description
121	HG-51585	1		PULLEY included in HG-71713 KIT, FAN/PULLEY
122	HG-51244	1	S	HEX LOCK NUT 1/2-20 (NYLON INSERT) included in HG-71713 KIT, FAN/PULLEY
123	HG-51076	3		SCREW, HEX 1/2-20 X .875 included in HG-71713 KIT, FAN/PULLEY
130	HG-52157	2	/P	TUBE, CONNECTING included in HG-71632 Seal Kit
131	HG-50273	1	/P	GERORTER ASSEMBLY (1.9CC/REV) included in HG-50273 KIT, CHARGE
132	HG-52250	1	/P	O-RING 137. .103 X 2.050 included in HG-71632 Seal Kit
132	HG-52250	1	/P	O-RING 137. .103 X 2.050 included in HG-50273 KIT, CHARGE
133	HG-52688	1	/P	COVER, CHARGE PUMP included in HG-50273 KIT, CHARGE
134	HG-52768	2		SCREW, PAN HEAD 1/4-20 X .75 included in HG-50273 KIT, CHARGE
135	HG-9001214-4400	1		BALL, STEEL 7/16 included in HG-71639 KIT, CENTER SECTION LH CHR G
136	HG-51157	1		SPRING, RELIEF .42 X .75 included in HG-71639 KIT, CENTER SECTION LH CHR G
136	HG-51157	1		SPRING RELIEF .42 X .75 included in HG-71436 KIT, CHARGE RELIEF
137	HG-51805	1		PIN, SPRING .125 X .875 included in HG-71639 KIT, CENTER SECTION LH CHR G
137	HG-51805	1		PIN, SPRING .125 X .875 included in HG-71436 KIT, CHARGE RELIEF
140	HG-52527	1		SPACER, .320 X 1.005 X .179
141	HG-52921	1		ASSEMBLY, RTN, NUETRAL ARM
142	HG-51616	1	S	SHCS 5/16-24 X 1 PATCH
145	N/A	1		ASSEMBLY, RTN BIDIRECTIONAL Order Ref 211 HG-71827
146	HG-51950	1		WASHER, .343 X 1.500 X .062
147	HG-51605	1	/P	SPRING EXTENSION RTN - 44LBS
152	HG-52599	2		GEAR, BEVEL 14T SPLINE ID
154	HG-52608	2		PIN, .499 X 1.20
155	HG-52531	2		RING, SPIRAL RETAINING -.875 included in HG-71632 Seal Kit
163	HG-52600	2		GEAR, BEVEL 10T
170	HG-44132	2	S	PUCK, BRAKE
171	HG-52582	1		ROTOR, BRAKE
172	HG-44134	1	S	PLATE, PUCK
173	HG-44138	1		BOLT, SQUARE HEAD included in HG-70633 KIT, BRAKE - YOKE

Ref #	Part Number	Qty	S/P/F	Description
174	HG-50879	1		BRAKE YOKE included in HG-70633 KIT, BRAKE - YOKE
175	HG-44433	1		BOLT, HEX HEAD 1/4-20 X 1 W/PATCH
176	HG-51146	1		BOLT, HEX HEAD 1/4-20 X 2 W/PATCH
177	HG-44127	2	S	PIN, BRK .31 X .73 PLATED
178	HG-50919	1	/P	SPRING, COMP BRAKE ANTI-DRAG
179	HG-50911	1		ARM, BRAKE
181	HG-44142	1	S	NUT, CASTLE 5/16-24 PL
182	HG-44101	1	S	PIN, COTTER 3/32 X 3/4
183	HG-23711	1		SPACER, .26 X .57 X .87
184	HG-44130	1	S	WASHER, .27 X .88 X .12
185	HG-50884	1	/P	SPRING, BRAKE ARM BIAS
190	HG-51687	1		CAP, BARBED
191	HG-52474	1		HOSE, .28 X .15 X 10.00
196	HG-52922	1		FITTING, BARBED
200	HG-71632	1		KIT SEAL Not shown
201	HG-71639	1		KIT, CENTER SECTION LH CHRGR
202	HG-71436	1		KIT, CHARGE RELIEF
203	HG-71411	1	/P	KIT, CHARGE
207	HG-71713	1		KIT, FAN/PULLEY
210	HG-71442	1		KIT, INPUT SHAFT included in HG-71713 KIT, FAN/PULLEY
211	HG-71827	1		KIT, RTN BIDIRECTIONAL
212	HG-70633	1		KIT, BRAKE - YOKE
	HG-50928	1	/P	GASKET, MATERIAL (LOCTITE 5900) Not shown
	737-3121	1	/P	FLUID-DRIVE SYSTEM (Gallon) Not shown



Ref #	Part Number	Qty	S/P/F	Description
1	734-04147	1	S	Tire, 23 x 10.5 x 12 Square Shoulder
2	634-04238	1	/P	Rim Assembly, 12.0 x 7.0 (4-Lug)
2	734-0255	1	S	Valve, Tubeless Air (not shown)
3	712-3050	1	/P	Lug Nut, 7/16-14
4	734-04148	1		Tire, 16 x 7.5 x 8 Square Shoulder
5	634-04082	1	S	Rim Assembly, 8 x 5.38 (Includes Flange Bearings and Valve)
5	741-0990B	1	/P	Bearing, Flange .760 ID w/ Grease Ftg. Not shown
5	741-0516B	1	/P	Bearing, Flange .760 x 1.00 x 1.20 Lg. Not shown
6	734-0255	1	S	Valve, Tubeless Air
7	731-05674	1	/P	Hub Cap