

1515
38-Inch Cutting Deck

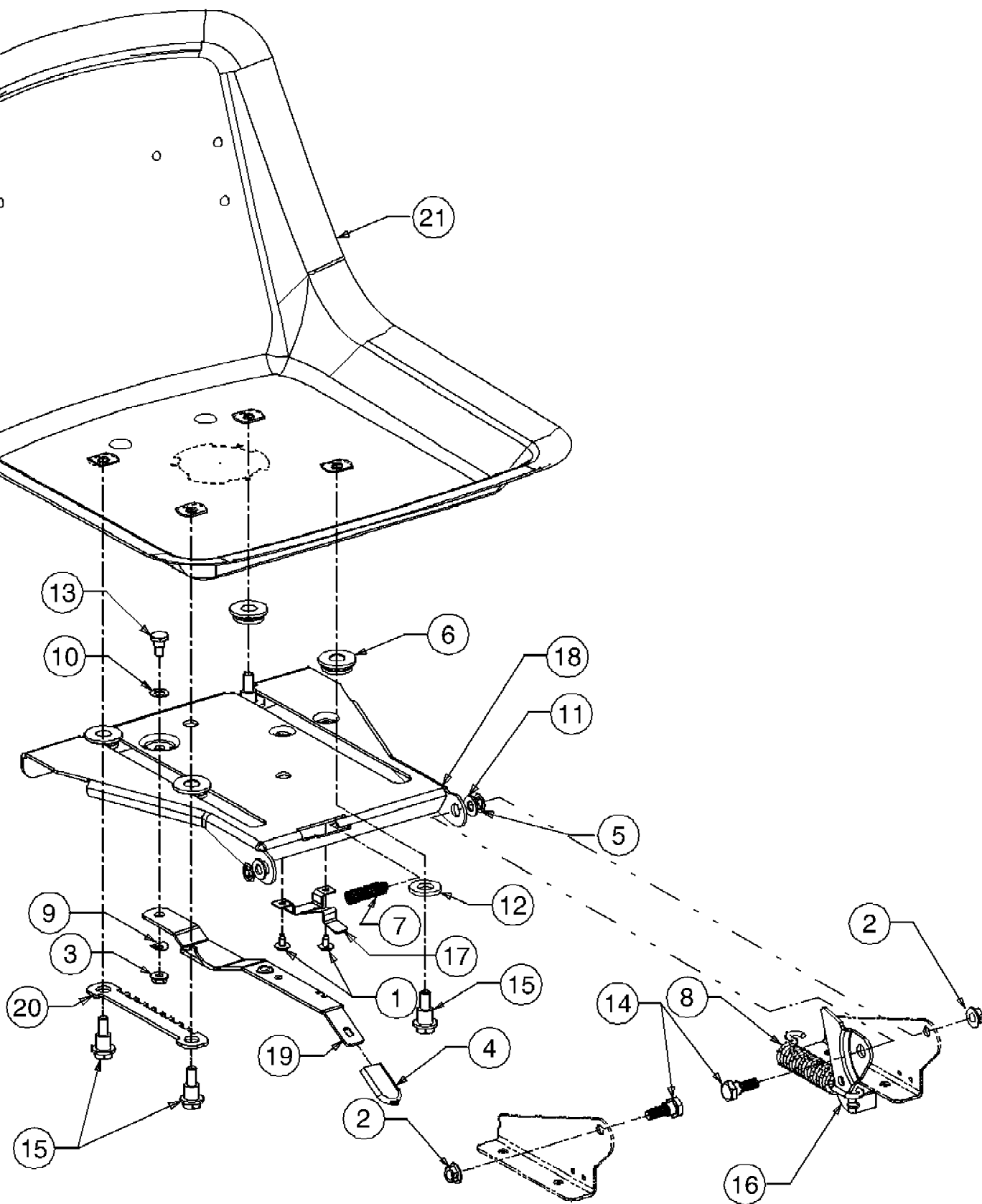
Page 2 of 48

Ref #	Part Number	Qty	S/P/F	Description
1	16606	1	S	Bracket, Hook, Retainer
2		2		Spindle Assembly, 38" (Not available as assembly)
3	683-0611	1	S	Deck Assembly, 38" (Shell)
	731-1032B	1	S	Chute Assembly, Side Discharge
	731-2363	1	/P	Plug, Mulch
	783-1297	1	S	Skirt, Deck
4	703-1890	2	S	Wheel, Deck, 5.0 OD w/ Fitting
5	710-0528	1	/P	Screw, 5/16-18, 1.25, Gr5
6	710-0602	1	/P	Screw, Self-tapping, 5/16-18, 1.000
7	710-0604A	6	/P	Screw, 5/16-18, 0.625
8	710-0650	8	/P	Screw, Self-tapping, 5/16-18, 0.875
9	710-0751	3	/P	Screw, 1/4-20, .620, Gr5
10	710-0817	1		Screw, Self-tapping, 5/16-18, 1.250
11	710-1315	2	/P	Screw, Self-tapping, 3/8-16, 1.250
12	710-3144	1	/P	Screw, 3/8-16, 2.00, Gr5
13	711-0747	1	S	Pin, Guide, .250 Dia x 1.68 Lg
14	711-3314	1	S	Roller Pin 1/2" x 7.31 Lg
15	712-0431	5	S	Nut, Flange Lock, 3/8-16
16	712-3004A	1	/P	Nut, Flange Lock, 5/16-18, Gr5
17	712-3006	2	/P	Nut, Hex, 1/4-20, Gr5
18	712-3010	1	S	Nut, Hex, 5/16-18, Gr5
19	712-3027	2	S	Nut, Flange Lock, 1/4-20
20	714-0470	2	S	Pin, Cotter, 1/8 x 1.25
21	714-3004	1		Pin, Cotter, 3/32 x 1.25
22	717-1553B	1	S	Adjustment Gear, Deck
23	726-0233	2	/P	Nut, Push, .25 ID x .50 OD
24	731-1032B	1	S	Chute Assembly, Side Discharge
25	731-2231B	1	/P	Cover, Belt, Deck
26	731-2609A	1	/P	Cover, Belt, Deck, LH
27	731-3005	1	/P	Front Roller
28	732-0306	2	S	Spring, Compression, .406 x .531 x 1.75 Lg
29	732-0556	1	S	Spring, Extension .94 x 7.57
30	734-0973	2	/P	Wheel Deck 5.0 x 1.38
31	736-0105	4	/P	Washer, Bell, .375 x .870 x .063
32	736-0119	1	S	Washer, Lock, 5/16, Regular Duty
33	736-0272	2	S	Washer, Flat, .510 x 1.00 x .060
34	737-3007	1		Grease, Alvania Ep 2
35	738-0372A	1	S	Spacer, Shoulder, 1.00 x .38 x .38
36	738-0373	2	S	Shoulder Screw
37	738-3056	2	S	Shoulder Screw - 1/2 Dia x 2.50 Lg.
38	759-3829	2		Blade, 19.38 Lg, 3-in-1
	759-3970	2		Blade, Low Lift
39	747-1116	2	/P	Rod, Handle, Deck Release .375 Dia
40	754-0641	1	S	Belt, V-Type
41	756-0627B	2	S	Pulley, Idler, 3.50 Dia.
42	756-1229	1		Pulley, Idler, 4.06 Dia. w/ Flange
43	737-3000	2	S	Fitting, 3/16 Drive Lube
44	710-04226	2	/P/F	Bolt, Spindle, 3/4-16, 5.85 (solid bolt, no grease fitting)

1515
38-Inch Cutting Deck

Page 3 of 48

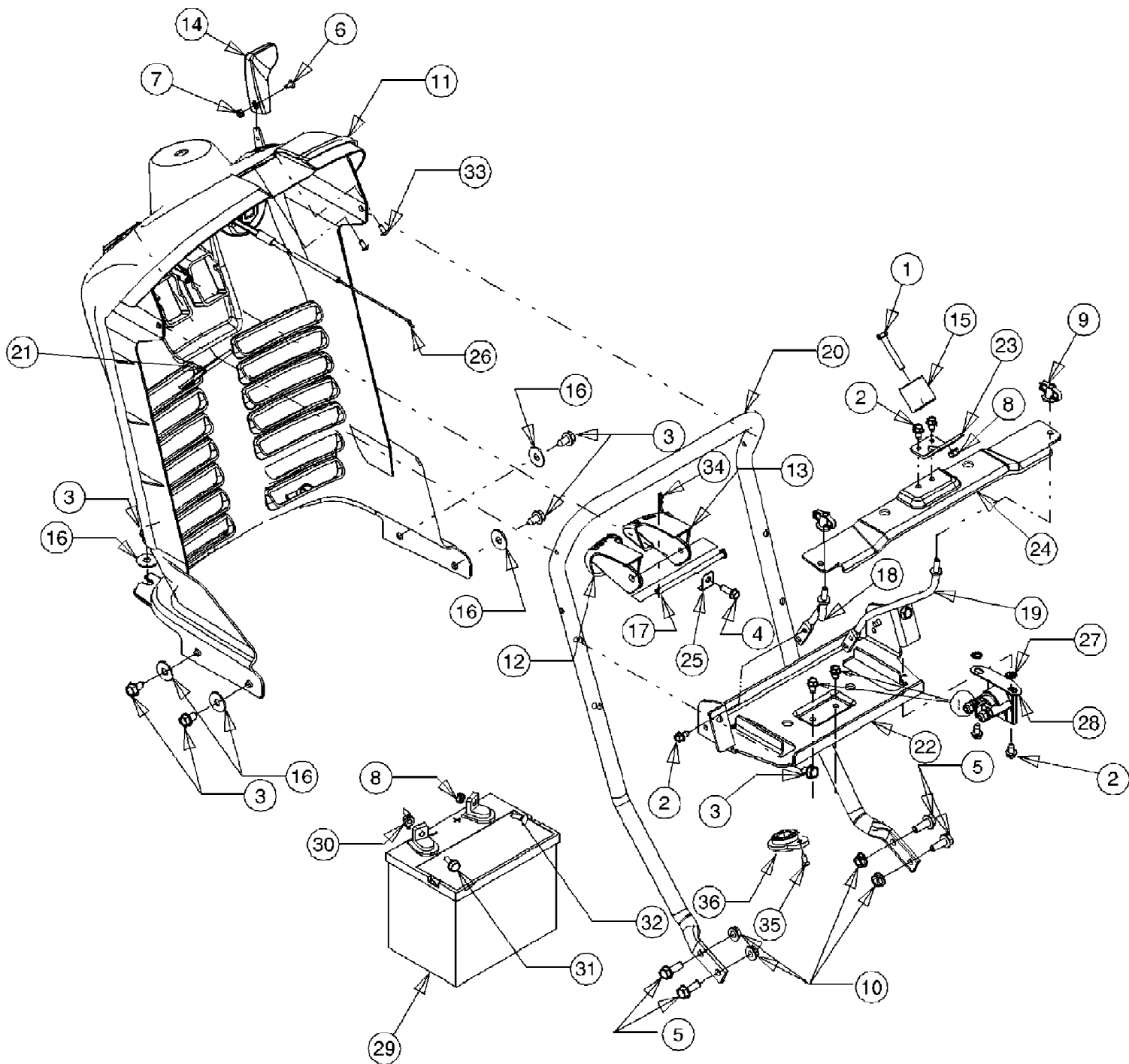
Ref #	Part Number	Qty	S/P/F	Description
44	710-1889	1	S/F	Bolt, Spindle, 3/4-16, 5.85 Greaseable spindle (No longer available) replace with 710-04226, 618-04217 & 737-3000
45	783-1417	1	S	Bracket, Idler, Arm
46	783-1418	1	S	Bracket, Idler
47	783-1433	1		Bracket, Deck, Hanger Adjustment
48	756-3106	2		Pulley
49	750-1000	2		Spacer, .80 x 1.10 x 1.330
50	748-3065	4	S	Spacer, Spindle, Deck
51	618-04217	2	S	Spindle Housing Assembly (Greaseable) Includes bearings and seals Also furnish 737-3000 grease fitting for housing. Use with 710-04226 spindle bolt.
51	618-3129A	2	S	Spindle Housing Assembly (Non Greaseable) Includes bearings and seals use with 710-1889 greaseable spindle bolt
	750-3190A	2	/P	Spacer, Bearing, .780 x 1.000 x 1.0425
	721-3018A	4	S	Seal, Oil, Single Lip
	741-3029	4	/P	Cup, Bearing
	741-3028	4	S	Bearing, Cone
52	712-3078	2	/P	Nut, Flange, 3/4-16
	783-1297-0637	1	/P	Skirt, Extension (Not Shown)
	710-0599	6	/P	Screw, Hex (Not Shown)



1515
Adjustable Seat

Page 5 of 48

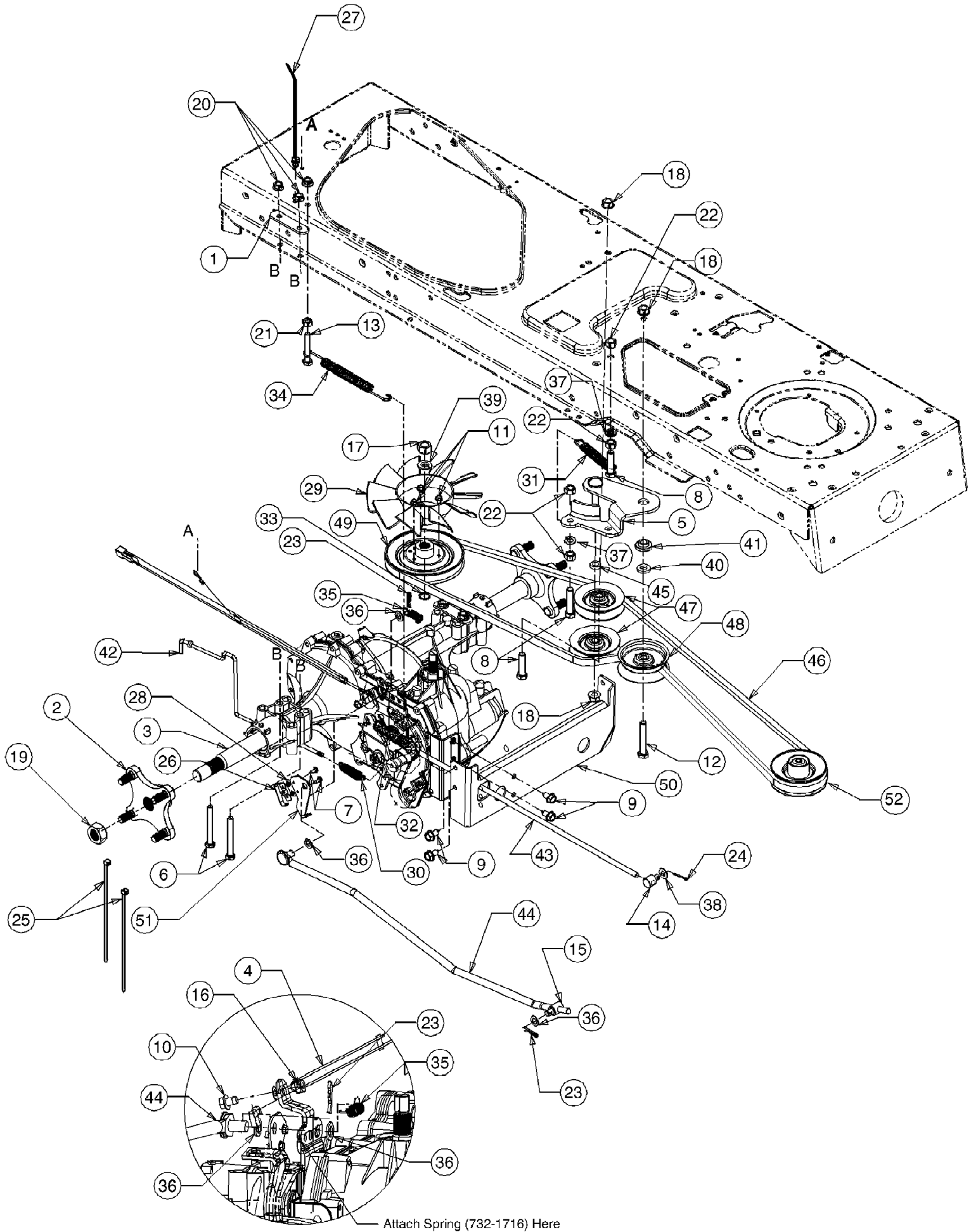
Ref #	Part Number	Qty	S/P/F	Description
1	710-1268	2	/P	Screw, #10-16, 0.375
2	712-3004A	2	/P	Nut, Flange Lock, 5/16-18, Gr5
3	712-3027	1	S	Nut, Flange Lock, 1/4-20
4	720-0433	1		Grip, Seat, Adjustment (Yellow)
5	726-0201	2		Nut, Speed, .3125 ID
6	731-1989	4		Spacer, Seat, Adjustment
7	732-0499	1		Spring, Compression .41 OD x 1.50
8	732-1184	2	/P	Spring, Extension, .84 Dia x 4.6 Lg.
9	736-0175	1	S	Washer, Spring, .265 x .562 x .025
10	736-0204	1	/P	Washer, Flat, .344 ID x .62 OD
11	736-0275	2	S	Washer, Flat, .344 x .688 x .065
12	736-3019	2		Washer, Flat, .531 x 1.062 x .134
13	738-0137A	1	S	Screw, Shoulder, .340 x .285, 1/4-20
14	738-0296	2	S	Shoulder, Screw .437 x .286 Lg
15	738-1198	4		Screw, Shoulder, .50 x .50, 5/16-18
16	783-0209A	1	S	Bracket, Lift, Seat, L.H.
	17239A	1	S	Bracket, Lift, Seat, R.H.
17	783-0611	1		Stop, Seat, Adjustment
18	783-0738	1	S	Bracket, Pivot, Seat
19	783-0739	1		Lever, Seat, Adjustment
20	783-0753	1		Selector, Seat, Adjustment
21	757-3003	1	S	Seat, Mid-back, V-1480



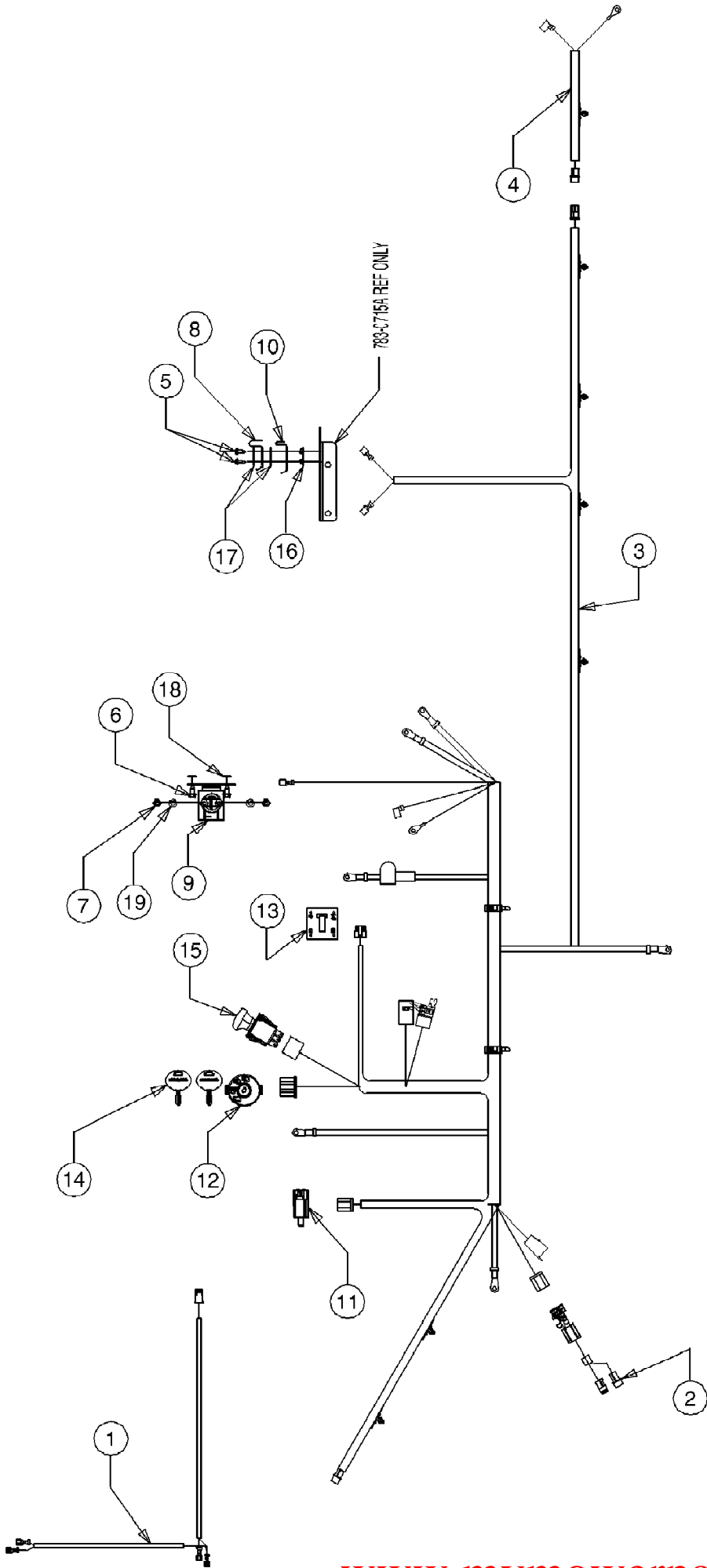
1515
Dash Panel

Page 7 of 48

Ref #	Part Number	Qty	S/P/F	Description
1	710-0136	1	/P	Screw, 1/4-20, 1.75, Gr5
2	710-0599	6	/P	Screw, Self-tapping, 1/4-20, 0.500
3	710-0604A	8	/P	Screw, 5/16-18, 0.625
4	710-0895	1		Screw, 1/4-15, 0.750
5	710-1238	4	/P	Screw, 5/16-18, .875, Gr5
6	710-3217	1	/P	Screw, Machine, #8-32, 0.375, Trus Phillips
7	712-0142	1	/P	Nut, 8-32
8	712-0271	2	/P	Nut, Hex, 1/4-20, Sems
9	712-0397	2	S	Nut, Wing, 1/4-20 w/ Bell Washer
10	712-3004A	4	/P	Nut, Flange Lock, 5/16-18, Gr5
11	731-2615	1		Dash
12	731-2620	1		Lever, Dash, Cruise
13	731-2621	1	S	Lever, Dash, Brake
14	731-3161	1	S	Knob, Throttle Control
15	731-3232	1		Roller, Latch, Hood
16	736-3078	6	/P	Washer, Flat, .349 x 1.00 x .063
17	747-1323A	1		Rod, .250 Dia x 4.25 Lg.
18	747-2130	1		Rod, Support, Side Panel RH
19	747-2131	1		Rod, Support, Side Panel LH
20	749-04000	1	S	Tube, Dash, Support
21	783-0462	1	/P	Bracket, PTO Switch Retainer
22	783-1447	1	S	Bracket, Support, Battery
23	783-1448	1	S	Bracket, Support, Hood Latch
24	783-1449	1		Bracket, Battery, Hold Down
25	783-1499	1	S	Bracket, Rod, Dash
26	746-1149	1		Control, Choke, 23 Lg.
27	736-0222	2	S	Washer, External Lock, 1/4
28	725-1426	1	S	Solenoid, 12V, 100 Amp
29	725-1706	1	S	Battery, 270 CCA, Wet
30	712-3087	1	/P	Nut, Wing, 1/4-20
31	738-1132	1		Screw, Shoulder, 1/4-20, .25 x .15
32	710-0751	1	/P	Screw, 1/4-20, .620, Gr5
33	710-0192	2	/P	Screw, #10-24 X .375
34	714-0104	1	S	Internal Cotter Pin, .072 x 1.13
35	710-0837	1		Screw, Oval Countersunk, #10-16 X .625
36	741-0501	1	S	Bearing, Steering Column, .634 ID x 1.36



Ref #	Part Number	Qty	S/P/F	Description
1	17840	2	S	Bracket, Mounting, Transaxle
2	618-0365	2	S	Hub Assembly, Wheel
3	618-0667	1	S	Transmission, Hydrostatic
4	629-0949A	1		Harness Assembly, Ground & Reverse
5	683-0251	1		Bracket Assembly, Idler, Center Dbl
6	710-0176	4	/P	Hex Cap Screw, 5/16-18, 2.75, Gr5
7	710-0227	2	/P	Screw, #8-18, 0.500
8	710-0344	3	/P	Hex Cap Screw, 3/8-16, 1.50, Gr5
9	710-0604A	6	/P	Screw, 5/16-18, 0.625
10	710-0653	1	/P	Screw, 1/4-20, 0.375
11	710-3007	3	/P	Screw, #12-24, 0.375
12	710-3011	1	/P	Hex Cap Screw, 3/8-16, 2.25, Gr5
13	710-3103	1	/P	Hex Cap Screw, 5/16-18, 2.00, Gr5
14	711-0677	1	S	Ferrule, 5/16-18 x .312 Dia
15	711-0832	1	S	Ferrule, 3/8-24 x .375 Dia
16	712-0291	1	S	Nut, Hex Lock, 1/4-20
17	712-0333	1	S	Nut, Hex, 1/2-20, Gr2
18	712-0431	3	S	Nut, Flange Lock, 3/8-16
19	712-1329	2	/P	Nut, 3/4-16, Grb, Hx
20	712-3004A	5	/P	Nut, Flange Lock, 5/16-18, Gr5
21	712-3010	1	S	Nut, Hex, 5/16-18, Gr5
22	712-3017	4	S	Nut, Hex, 3/8-16, Gr8
23	714-0104	2	S	Pin, Cotter, .072 Dia. x 1.13 Lg
24	714-0111	1	S	Pin, Cotter, 3/32, 1.0
25	725-0157	2	/P	Cable, Tie, 3/16 x .05 x 7.4
26	725-1644	1		Switch, Spring, Short
27	726-0154	1	S	Tie, Cable, Push Mount 7.5 Lg
28	726-0320	1	S	Plate, Insulator Nut
29	731-1449A	1	S	Fan, Blade, 10"
30	732-0209	1	S	Spring, .48 OD x 2.03 Extension
31	732-0429A	1	S	Spring, Extension, .50 Dia x 3.97 Lg
32	732-0716	1	S	Spring, Extension, .59 OD x 4.00 Lg
33	732-0729	1	/P	Ring, Wire
34	732-0994	1		Spring, Extension, .500 Dia x 7.0 Lg
35	732-3118	1		Spring, Extension, 3/8 OD x 1.44 Lg
36	736-0140	3	S	Washer, Flat, .385 x .62 x .063
37	736-0169	2	S	Washer, Lock, 3/8, Regular Duty
38	736-0275	1	S	Washer, Flat, .344 x .688 x .065
39	736-0921	1	S	Washer, Lock, 1/2, Regular Duty
40	736-3010	1	/P	Washer, Flat, .407 x .812 x .135 Hdn
41	738-0372B	1	/P	Spacer, Shoulder, 1.00 x .38 x .38
42	747-1149	1		Rod, Hydro Bypass
43	747-1150	1		Rod, Brake, Hydro
44	747-1151	1		Rod, Control, Hydro
45	750-0535	1	S	Spacer, .376 ID x .625 OD x .22
46	754-0640	1	S	Belt, V Type, Poly
47	756-0116	2	S	Pulley, Idler, V Type x 3.06 Dia
48	756-0981A	1	S	Pulley, Idler, Flat 2.75 OD
49	756-1166	1		Pulley, Input, 5.0 Dia
50	783-0810	1	S	Bracket, Transmission, Torque Hydro
51	783-1019	1	S	Bracket, Actuator, Switch
52	756-0978A	1	S	Pulley, Engine, 3.56 Dia

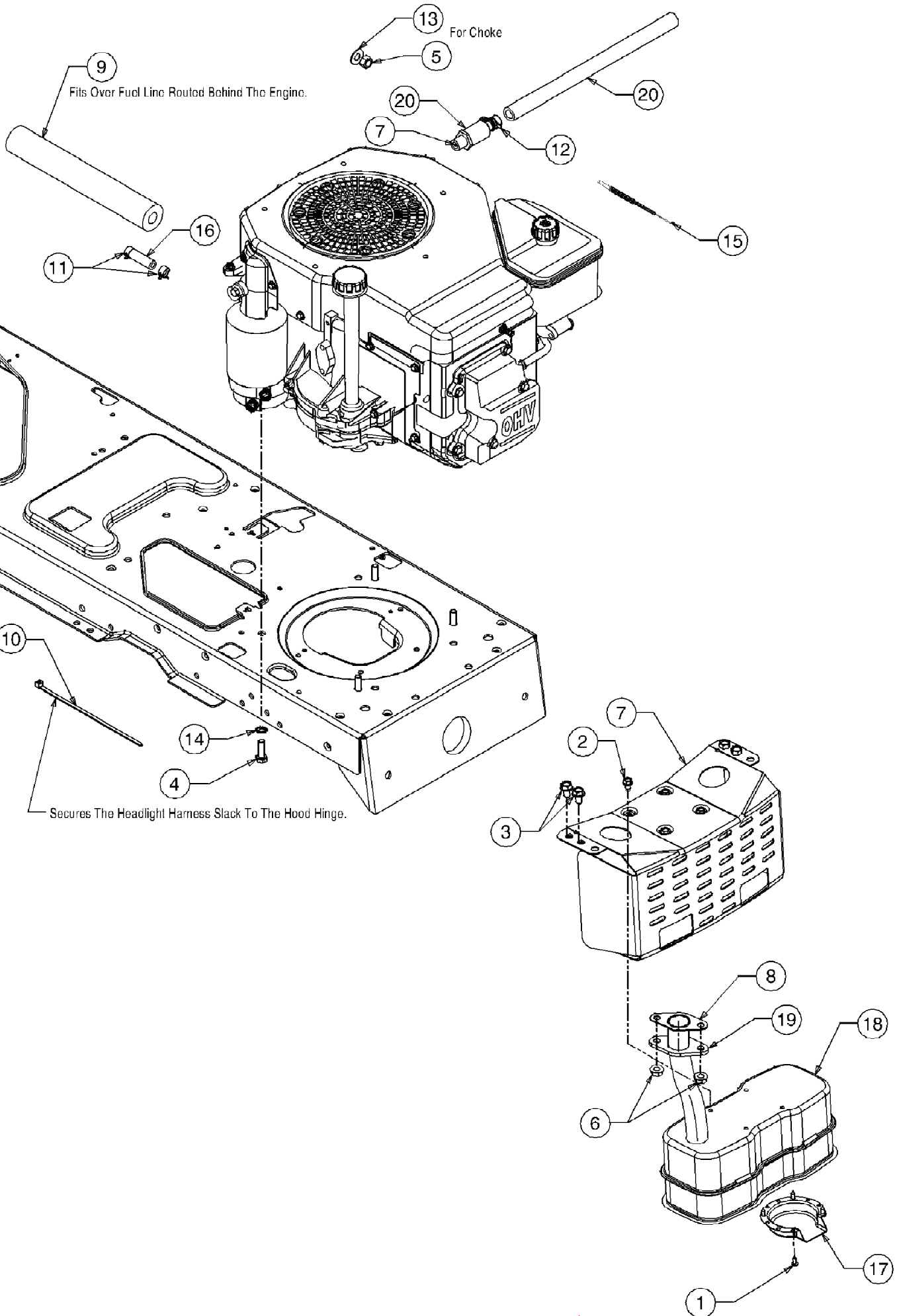


1515
Electrical System

Page 11 of 48

Ref #	Part Number	Qty	S/P/F	Description
1	629-0469A	1	S	Harness Assembly, Headlight
2	629-0889	1	S	Harness Assembly, Kohler OHV Alternator
3	629-1105	1	S	Harness Assembly, Kohler,
4	629-1106	1	S	Harness Assembly, Safety, Reverse
5	710-0227	2	/P	Screw, Ab, #8-18, 0.500
6	710-0599	2	/P	Screw, Self-tapping, 1/4-20, 0.500
7	712-3006	2	/P	Nut, Hex, 1/4-20, Gr5
8	725-1303	1	S	Switch, Outer Seat Spring
9	725-1426	1	S	Solenoid, 12V, 100amp
10	725-1439	1		Switch, Inner Seat Spring
11	725-1657A	1	S	Switch, Snap Mount
12	725-1741	1	S	Switch, Key, 4-Position
13	725-1976	1	S	Indicator, Monitor, Hour Meter
14	725-2054	2	S	Key, Switch, Plastic
15	725-3233	1	S	Switch, Electric PTO, Yellow Knob
16	726-0278	1		Plate, Insulator Boss
17	726-0279	2		Plate, Insulator
18	736-0222	2	S	Washer, Lock, Ext 1/4
19	736-0329	2	S	Washer, Lock, 1/4, Regular Duty
	725-1648	1	S	Relay (Not Shown)
	725-1644	1		Reverse Switch (Not Shown)

1515
Engine Accessories

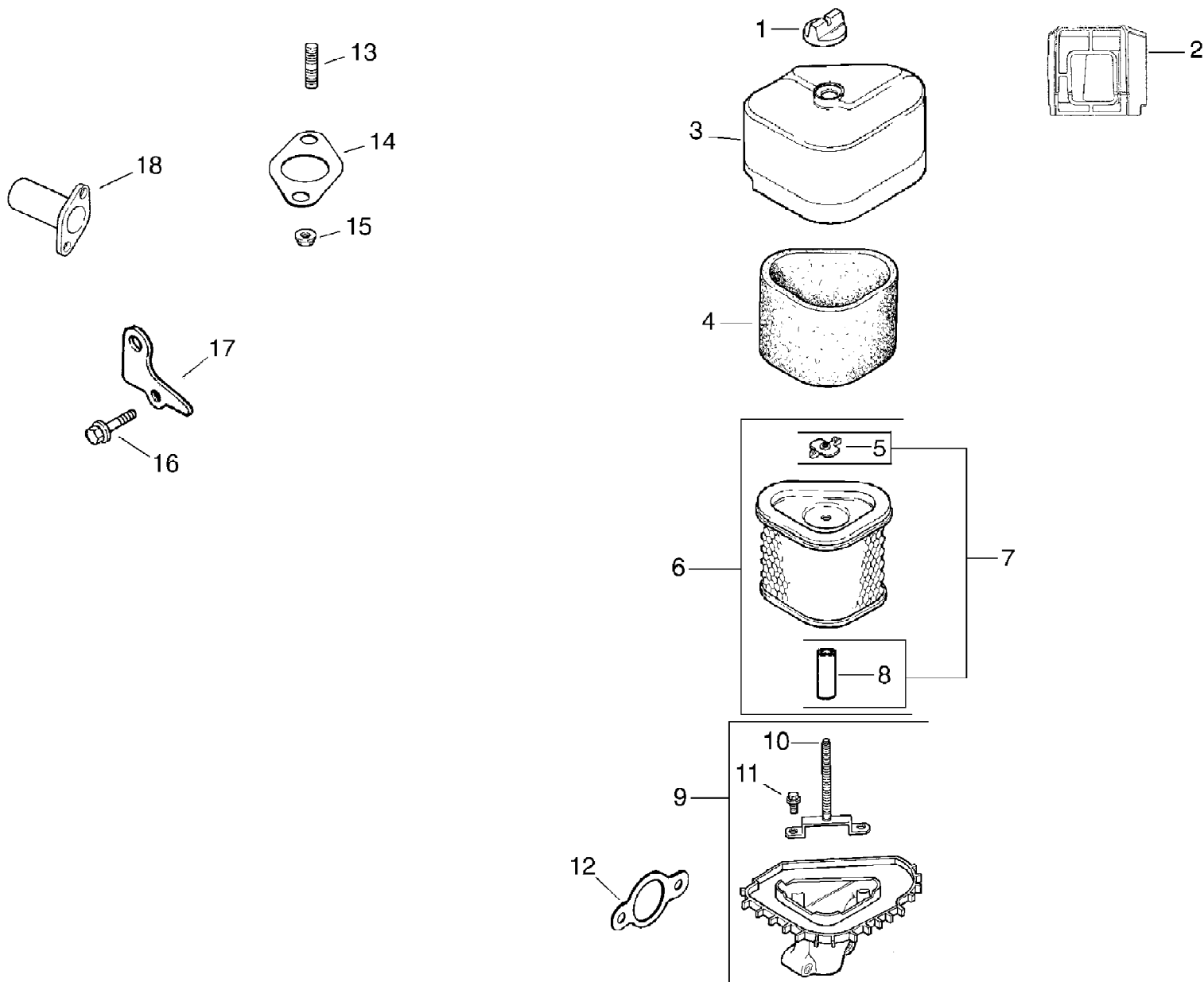


1515
Engine Accessories

Page 13 of 48

Ref #	Part Number	Qty	S/P/F	Description
1	710-0227	4	/P	Screw, #8-18, 0.500
2	710-0599	4	/P	Screw, Self-tapping, 1/4-20, 0.500
3	710-0604A	4	/P	Screw, 5/16-18, 0.625
4	710-3206A	4	/P	Screw, M8-1.25, 25.0, Gr8.8
5	712-3017	1	S	Nut, Hex, 3/8-16, Gr8
6	712-3086	2	/P	Nut, M8, 1.25-6h, Flange
7	783-0615B	1	S	Shield, Heat, Muffler
8	721-0375	1	S	Gasket, Exhaust, Kohler Single
9	722-0263	2	S	Foam, .625 x 1.50 x 10.0 Lg
10	725-0157	1	/P	Cable, Tie, 3/16 x .05 x 7.4
11	726-0205	2	/P	Clamp, Hose, .490 Dia.
12	751-3142	1		Cap, Oil, Drain
13	736-0300	1	S	Washer, Flat, .406 x .875 x .059
14	736-0607	4	/P	Washer, External Lock, 5/16
15	746-1087	1	S	Cable, Throttle, 27.4 Lg
16	751-0535	60		Hose, Fuel Line
17	751-0564	1	S	Deflector, Muffler
18	751-0617	1	S	Muffler, Single Inlet
19	751-0824	1		Pipe, Exhaust, Kohler Single
20	751-3140	1	S	Drain, Oil
?21	751-3141	12	S	Hose, Extension, Oil Drain

1515
Engine Air Intake And Exhaust

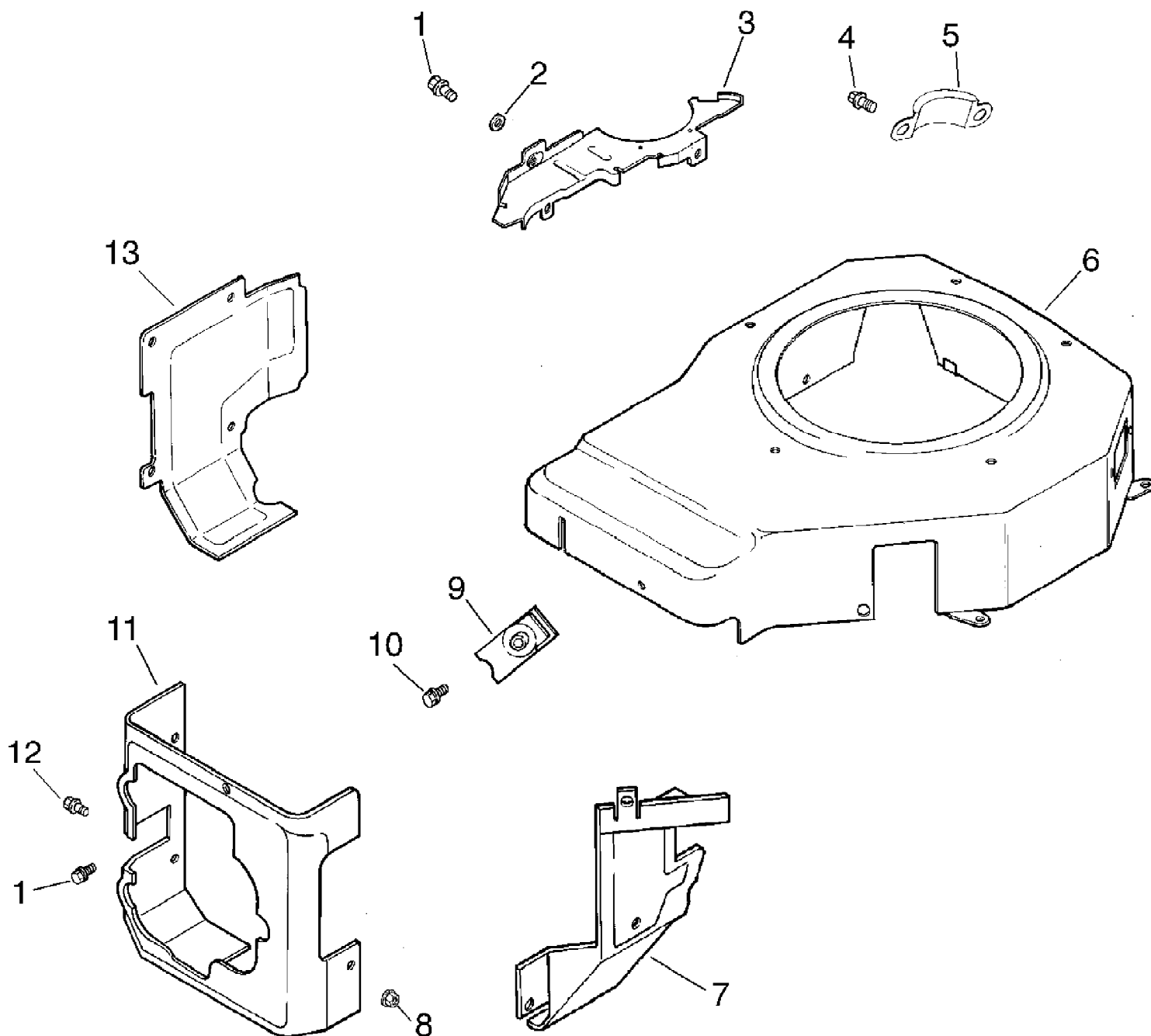


1515

Page 15 of 48

Engine Air Intake And Exhaust

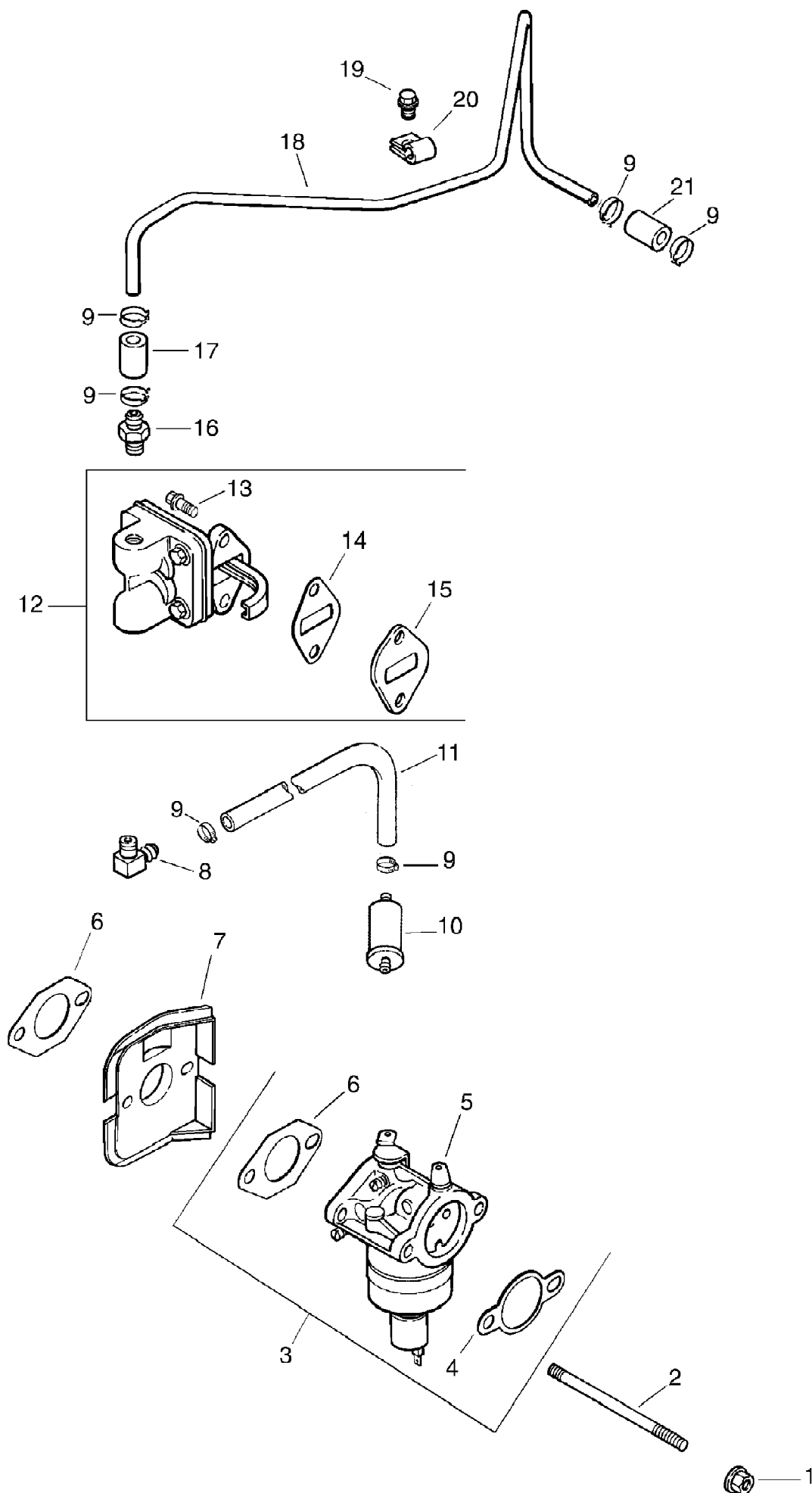
Ref #	Part Number	Qty	S/P/F	Description
1	KH-25-341-03	1	/P	Knob, Air Cleaner Cover
2	KH-12-281-01-S	1		Duct, Air (Model 1517)
3	KH-12-096-24-S	1	/P	Cover, Air Cleaner
4	KH-12-083-12	1	S	Precleaner
5	KH-12-100-08-S	1		Wing Nut
6	KH-12-083-10	1	S	Element, Air Cleaner (Includes 5, 7, 8)
7	KH-12-743-12-S	1		Kit, Air Cleaner Seal (Includes 5, 8)
8	KH-12-032-11-S	1		Seal
9	KH-12-094-07	1		Base, Air Cleaner (Includes 10, 11)
10	KH-12-072-04	1		Stud M6 x 1.0 x 79
11	KH-12-086-01	1		Screw, #10 Hi-Lo Thread Forming
12	KH-12-041-02	2	/P	Gasket, Air Cleaner
13	KH-25-072-05	1		Stud M8 x 1.25 x 39
14	KH-12-041-03	1	/P	Gasket, Exhaust Manifold
15	KH-M-841080	1	S	Nut, Hex. Flange M8 x 1.25
16	KH-M-645025	1		Screw, Hex. Flange M6 x 1.0 x 25
17	KH-12-445-06	1		Strap, Lifting
18	KH-12-382-05	1		Pipe, Inlet
	KH-12-755-93-S	1	/P	Gasket Set



1515
Engine Blower Housing

Page 17 of 48

Ref #	Part Number	Qty	S/P/F	Description
1	KH-M-545010	5	S	Screw, Hex. Flange M5 x 0.8 x 10
2	KH-24-468-10	1		Washer, Plain 1/4"
3	KH-12-146-07	1	/P	Plate, Blower Housing
4	KH-M-550010-S	2		Screw, Hex. Flange M5 x 0.8 x 10
5	KH-24-096-05	1		Cover, Pinion
6	KH-12-027-55-S	1	S	Housing, Blower
7	KH-12-063-18-S	1		Baffle, Intake Side
8	KH-M-541050-S	3		Nut, Hex. Flange M5 x 0.8 (Model 1517)
9	KH-25-154-02	2		Clip, Mounting
10	KH-M-645016-S	1	/P	Screw, Hex. Flange M6 x 1.0 x 16
11	KH-12-063-20-S	3		Baffle, Cylinder Head
12	KH-12-086-37	1		Screw, Captive Washer M5 x 0.8 x 20
13	KH-12-063-19-S	2	/P	Baffle, Cylinder
	KH-24-086-18	2		Screw, Phillips Hd. 11-16 x 7/8"
	KH-X-25-92	2		Screw, Phillips Hd. 11-16 x 7/8"

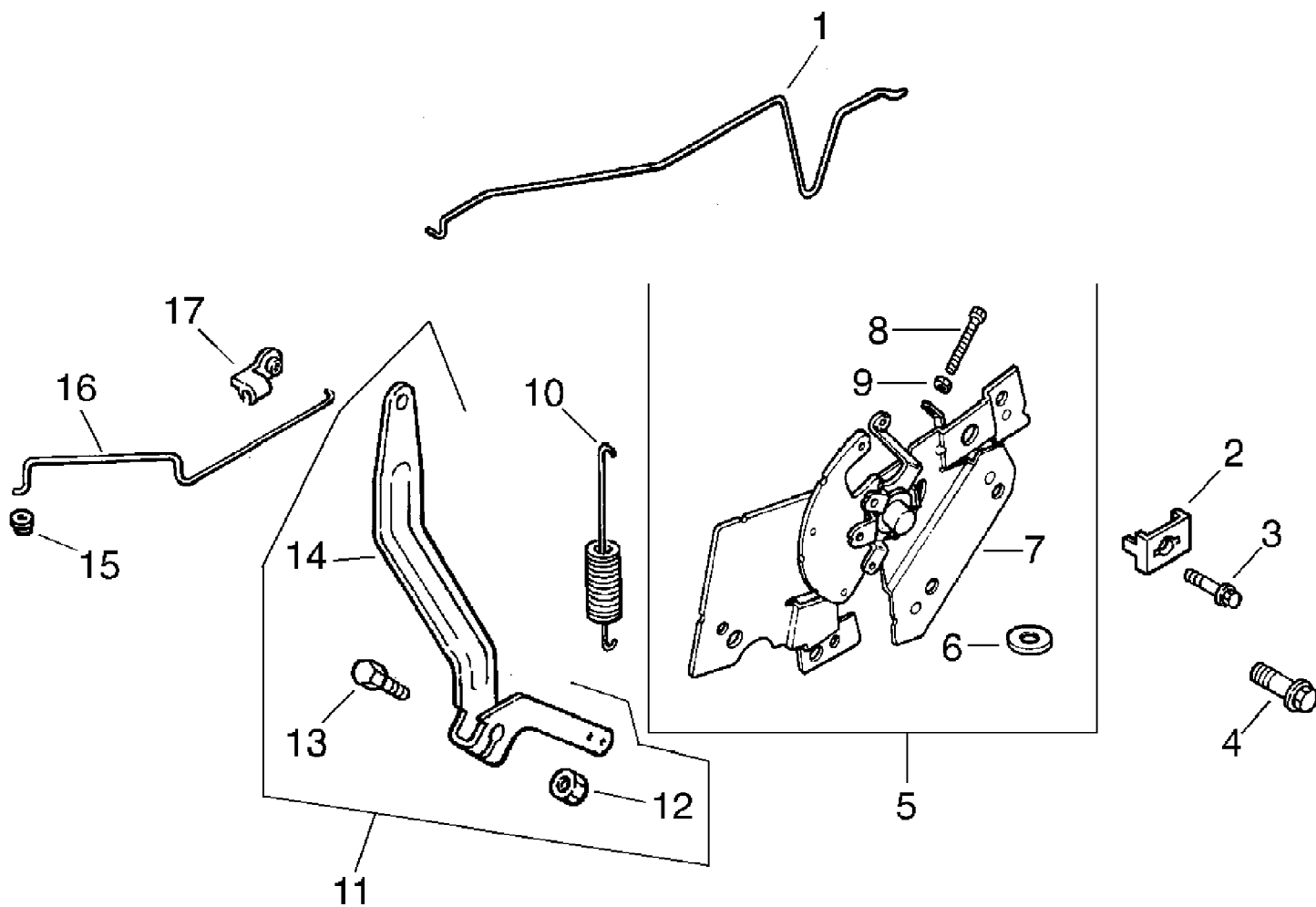


1515

Page 19 of 48

Engine Carburetor & Fuel Pump

Ref #	Part Number	Qty	S/P/F	Description
1	KH-M-641060-S	2	/P	Nut, Hex. Flange M6 x 1.0
2	KH-M-629116	2		Stud M6 x 1.0 x 116 (2)
3	KH-12-853-117-S	1	/P	Kit, Carburetor W/ Gaskets (Includes 4, 5, 6 [Qty. 1], Tie KH-12 454 03-S, & Terminal KH-25 452 20-S)
4	KH-12-041-02	1	/P	Gasket, Air Cleaner
5		1		Carburetor Assembly Use KH-12-853-117-S
6	KH-12-041-01	2	/P	Gasket, Carburetor
7	KH-12-265-06-S	1		Deflector, Heat
8	KH-25-155-02	1	/P	Connector, 90x Hose
9	KH-25-237-14-S	6	/P	Clamp, Fuel Line
10	KH-25-050-07-S	1	/P	Filter, Fuel
11	KH-25-353-02	1		Line, Fuel 3"
12	KH-12-559-01	1	S	Kit, Fuel Pump (Includes 13-15)
13	KH-M-645020-S	2	/P	Screw, Hex. Flange M6 x 1.0 x 20
14	KH-25-041-09	2	S	Gasket, Fuel Pump
15	KH-12-112-05	1		Spacer, Fuel Pump
16	KH-25-326-03-S	1	/P	Connector, Straight Hose
17	KH-12-353-01	1	S	Line, Fuel 1-1/4"
18	KH-12-123-19	1		Line, Fuel - Metal
19	KH-M-545010	1	S	Screw, Hex. Flange M5 x 0.8 x 10
20	KH-12-154-01	1		Clamp, Fuel Line
21	KH-41-353-18-S	1		Line Fuel 2-1/2"
	KH-12-757-02	1	/P	Kit, Float
	KH-12-757-03	1	/P	Kit, Carburetor Repair
	KH-12-757-33	1	/P	Kit, Solenoid Repair
	KH-12-518-24-S	1		Lead, Red (20" - 18 Guage - Insulated Socket And Uninsulated Push On Tab Terminals)
	KH-12-454-03-S	3	/P	Tie, Wire
	KH-M-561010	1		Screw, Thread Forming M5 x 0.8 x 10 Used to attach carburetor ground lead to carburetor baffle
	KH-X-22-11	1		Washer, Lock 1/4" Used to attach carburetor ground lead to carburetor baffle
	KH-25-452-20	1		Terminal

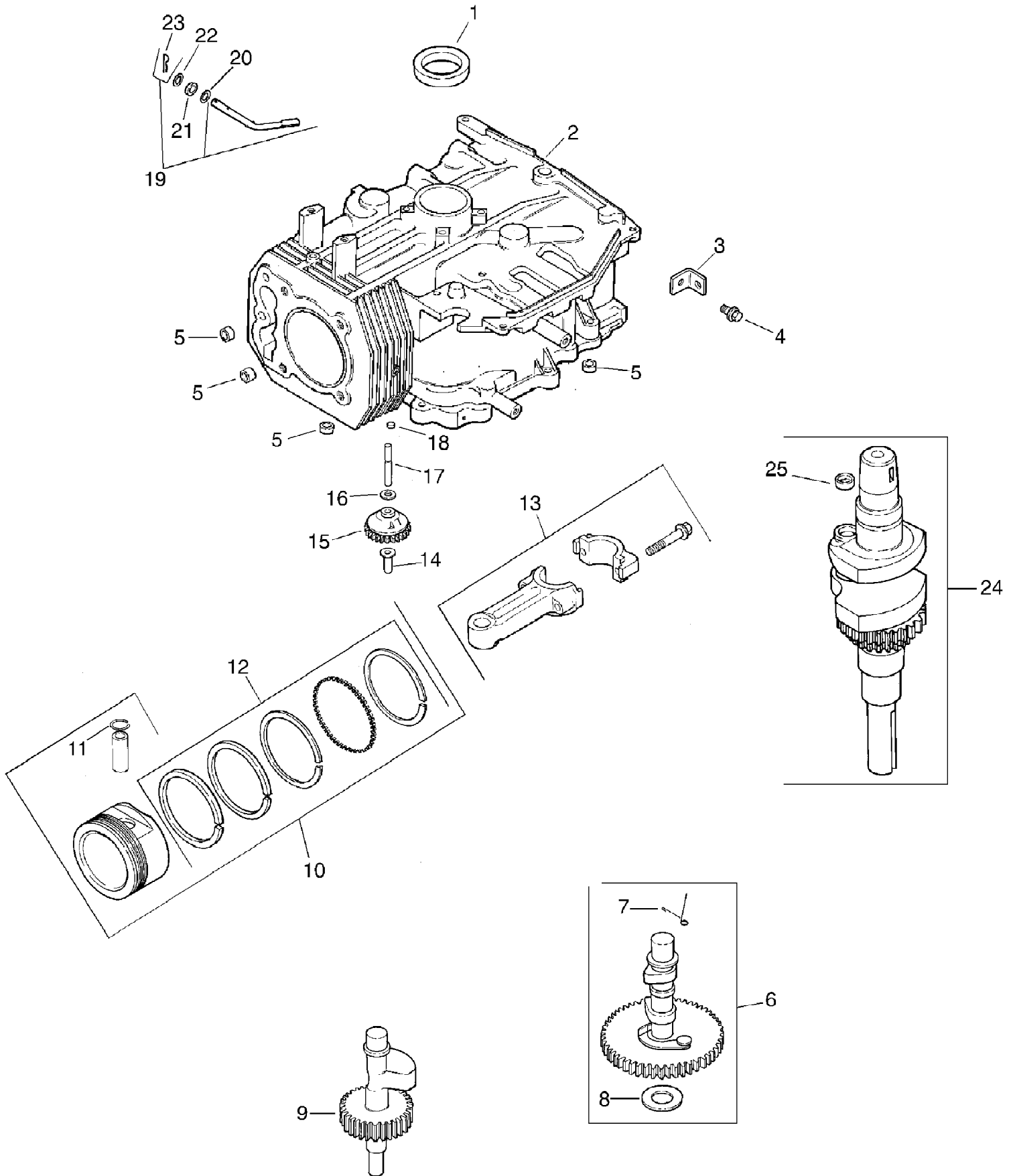


1515
Engine Controls

Page 21 of 48

Ref #	Part Number	Qty	S/P/F	Description
1	KH-12-079-11-S	1		Linkage, Choke
2	KH-12-237-01	2		Clamp, Cable
3	KH-M-545016-S	2	/P	Screw, Hex. Flange M5 x 0.8 x 16
4	KH-M-664020-S	2		Screw, Lobed Socket M6 x 1.0 x 20
5	KH-12-536-02	1		Control, Speed Assembly (Incl. 6-9)
6	KH-230293	1		Spacer, Shim .005
7	KH-12-126-75-S	1		Bracket, Control (Model 1517)
8	KH-M-401030	1	/P	Screw, Hex. Flange M4 x 0.7 x 30
9	KH-M-446030-S	1	/P	Nut, Hex. M4 x 0.7
10	KH-52-089-07	1		Spring, Governor
11	KH-12-755-83	1		Kit, Governor Lever (Includes 12-14)
12	KH-12-100-07	1		Nut, Hex. Flange M6 x 1.0
13	KH-52-211-04	1		Screw, Hex. Flange M6 x 1.0 x 25
14	KH-12-090-28	1	/P	Lever, Governor
15	KH-25-158-08	1	/P	Bushing, Linkage Retaining
16	KH-12-079-10-S	1		Linkage, Throttle
17	KH-25-158-11	1	/P	Bushing, Linkage Retaining

1515
Engine Crankshaft & Crankcase

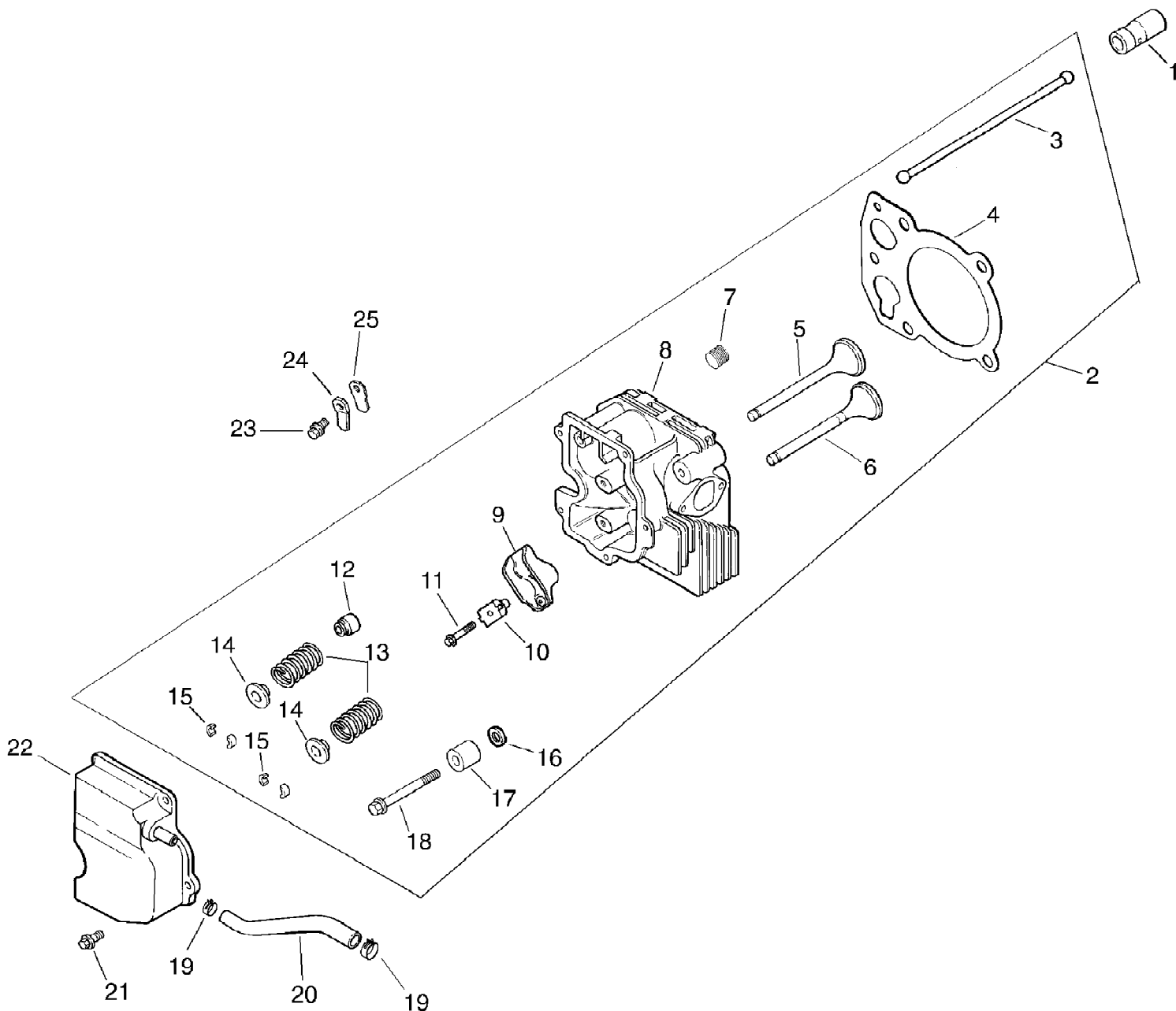


1515

Page 23 of 48

Engine Crankshaft & Crankcase

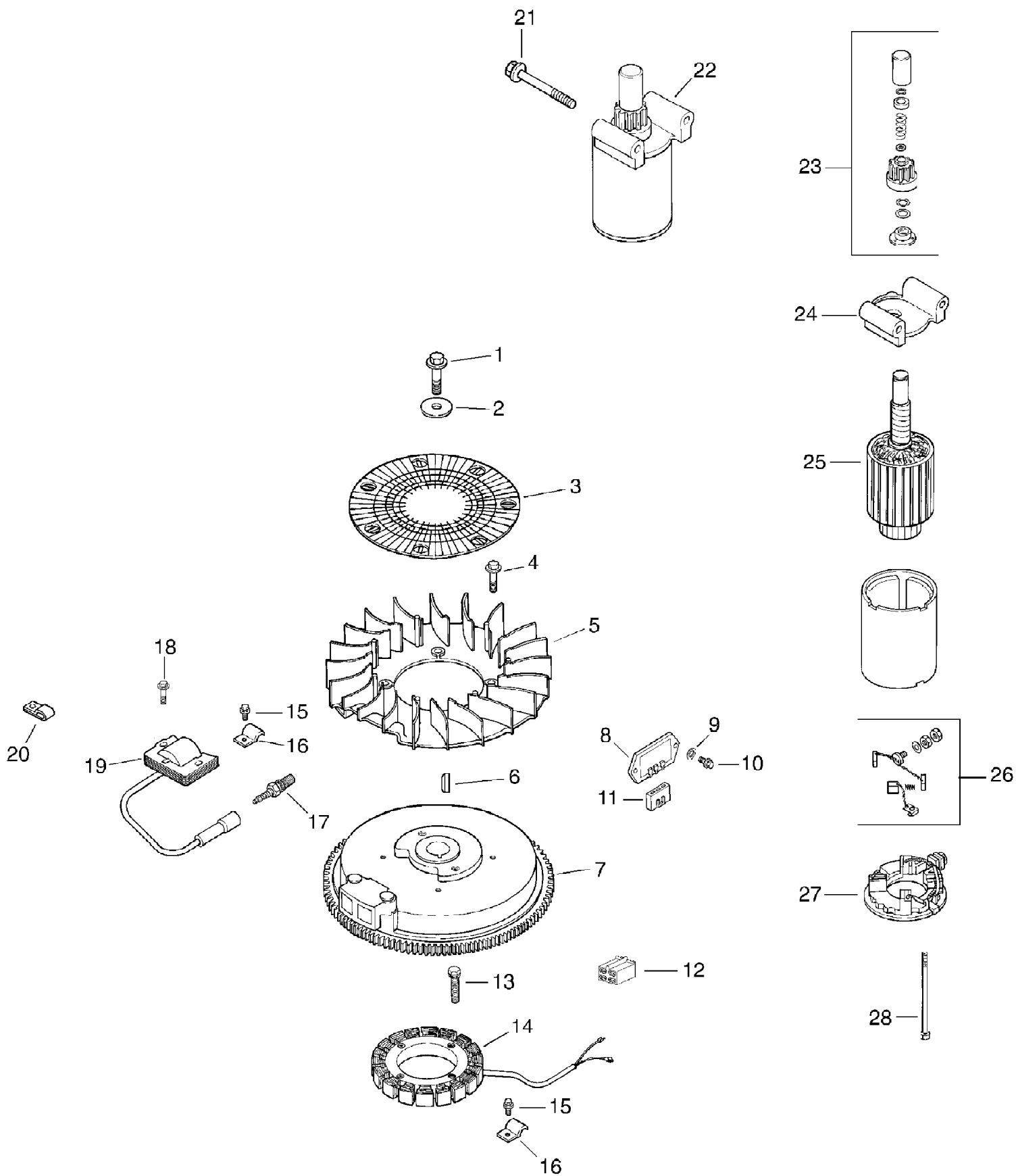
Ref #	Part Number	Qty	S/P/F	Description
1	KH-12-032-03	1	/P	Seal, Crankshaft
2	KH-12-522-18	1		Short Block (model 1515)
	KH-12-522-59	1	S	Short Block (model 1517)
	KH-PA-41612	1		Engine Complete (model 1515)
	KH-PA-27510	1		Engine Complete (model 1517)
3	KH-12-445-02	1		Strap, Lifting
4	KH-M-839025-S	1		Screw, Hex. Flange M8 X 1.25 X 25
5	KH-24-380-13-S	1	S	Pin, Locating
6	KH-12-755-49	1		Kit, Camshaft (Includes 7, 8)
7	KH-12-089-31-S	1	/P	Spring, Actuating
8	KH-12-422-08	AR	S	Shim, Camshaft - Blue
	KH-12-422-09	AR	S	Shim, Camshaft - Red
	KH-12-422-10	1	S	Shim, Camshaft - Yellow
	KH-12-422-11	AR	S	Shim, Camshaft - Green
	KH-12-422-12	AR	S	Shim, Camshaft - Gray
	KH-12-422-13	AR	S	Shim, Camshaft - Black
	KH-12-422-07	AR	S	Shim, Camshaft - White
9	KH-12-144-27	1	/P	Shaft, Balance (Model 1515)
	KH-12-144-28-S	1		Shaft, Balance (Model 1517)
10	KH-12-874-07	1		Piston w/ Ring Set (Std.) (Includes 11, 12)
	KH-12-874-08	1		Piston w/ Ring Set (.25)
	KH-12-874-09	1		Piston w/ Ring Set (.50)
	KH-12-874-11-S	1		Piston w/ Ring Set (.08)
11	KH-12-018-02	1		Retainer, Piston Pin
12	KH-12-108-07-S	1	/P	Ring Set (Std. & .08)
	KH-12-108-08	1		Ring Set (.25)
	KH-12-108-09	1		Ring Set (.50)
13	KH-12-067-05	1	/P	Connecting Rod (Std.) (Model 1515)
	KH-12-067-11-S	1		Connecting Rod (Std.) (Model 1517)
	KH-12-067-06	1	/P	Connecting Rod (.25)(Model 1515)
	KH-12-067-12-S	1		Connecting Rod (Std.) (Model 1517)
14	KH-12-380-01	1	/P	Pin, Governor Regulating
15	KH-12-043-05	1	/P	Gear, Governor
16	KH-M-631005	1	/P	Washer, Plain 6 Mm
17	KH-12-144-02	1		Shaft, Governor Gear
18	KH-52-139-09	1	S	Plug, Cup
19	KH-12-755-64	1	/P	Kit, Governor Cross Shaft w/clip (Incl. 23)
20	KH-X-25-102	1	S	Washer, Plain 1/4"
21	KH-12-032-01	1		Seal, Governor Cross Shaft
22	KH-M-631015	1	/P	Washer, Plain 6 Mm
23	KH-12-154-05	1		Clip, Hitch Pin
24	KH-12-014-37-S	1	/P	Crankshaft (Model 1515) (Includes 25)
	KH-12-014-57-S	1	S	Crankshaft (Model 1517) (Includes 25)
25	KH-12-139-01	1		Plug, Cup (Model 1515)
	KH-12-139-27	1		Plug, Cup (Model 1517)



1515
Engine Cylinder Head & Valves

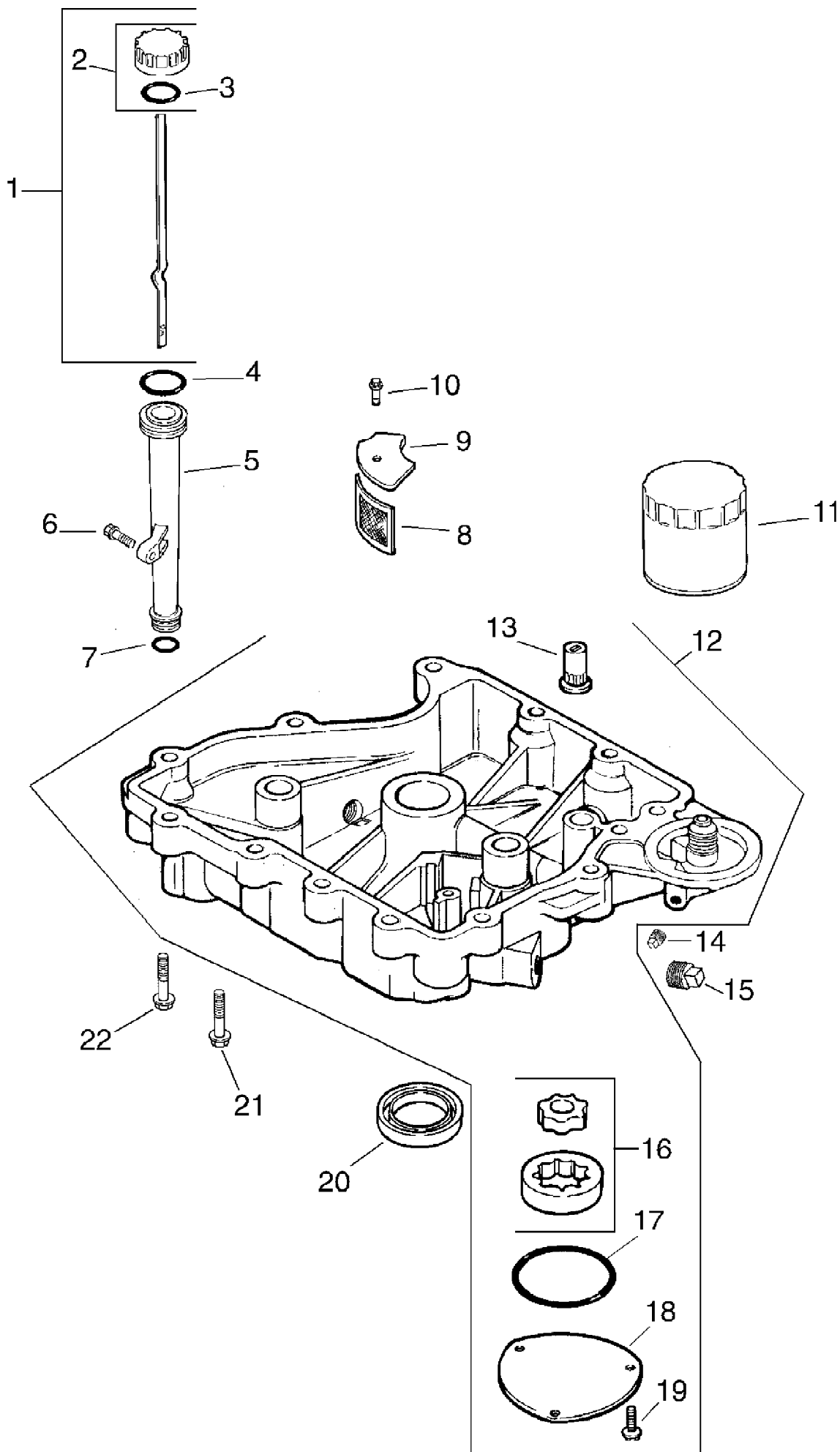
Page 25 of 48

Ref #	Part Number	Qty	S/P/F	Description
1	KH-25-351-01	2	S	Lifter, Valve
2	KH-12-755-81	1	/P	Kit, Cylinder Head (Model 1515) (Incl. 3-17, Carburetor Gasket (2), Air Cleaner Base Gasket, Exhaust Manifold Gasket)
	KH-12-755-94-S	1		Kit, Cylinder Head (Model 1517) (Incl. 3-17, Carburetor Gasket (2), Air Cleaner Base Gasket, Exhaust Manifold Gasket)
3	KH-12-411-01	2	S	Rod, Push (Model 1515)
	KH-12-411-03-S	2	S	Rod, Push (Model 1517)
4	KH-12-041-10	1		Gasket, Cylinder Head
5	KH-12-017-01	1		Valve, Intake (Std.)
6	KH-12-016-01	1		Valve, Exhaust (Std.)
7	KH-25-139-60-S	1	/P	Plug, Allen Hd. 1/8" Pipe
8	KH-12-318-19	2	/P	Cylinder Head (Model 1515)
	KH-12-318-36-S	2		Cylinder Head (Model 1517)
9	KH-25-186-01	2	/P	Arm, Rocker
10	KH-12-599-03	2		Pivot, Rocker Arm
11	KH-M-640034-S	2	/P	Screw, Hex. Flange M6 x 1.0 x 34
12	KH-66-032-05-S	2	/P	Seal, Valve Stem
13	KH-12-089-34-S	2	/P	Spring, Valve
14	KH-12-173-01	2	/P	Cap, Valve Spring
15	KH-12-755-03	2	/P	Kit, Retainer
16	KH-12-468-05	1		Washer, Plain 13/32"
17	KH-12-112-13	1		Spacer, Head Bolt Exhaust Port
18	KH-12-086-15	5	S	Screw, Hex. Flange M10 x 1.5 x 81
19	KH-25-237-14-S	2	/P	Clamp, Hose
20	KH-12-326-03	1	/P	Hose, Breather
21	KH-M-645020-S	5	/P	Screw, Hex. Flange M6 x 1.0 x 20
22	KH-12-096-07	1	S	Cover, Valve W/nipple
23	KH-M-545010	1	S	Screw, Hex. Flange M5 x 0.8 x 10
24	KH-12-018-01	1	S	Retainer, Breather Reed
25	KH-12-402-02	1		Reed, Breather
	KH-12-017-02	1		Valve, Intake (.25)
	KH-12-016-02	1		Valve, Exhaust (.25)
	KH-12-041-01	2	/P	Gasket, Carburetor
	KH-12-041-02	1	/P	Gasket, Air Cleaner Base
	KH-12-041-03	1	/P	Gasket, Exhaust Manifold



Engine Ignition & Electric Start

Ref #	Part Number	Qty	S/P/F	Description
1	KH-12-086-14	1		Screw, Hex. Flange M10 x 1.5 x 46
2	KH-12-468-03	1	/P	Washer, Plain 3/8"
3	KH-24-162-03	1		Screen, Grass
4	KH-25-086-47	4	/P	Bolt, Shoulder M6 x 1.0 x 16
5	KH-12-157-06	1		Fan
6	KH-X-42-15	1	/P	Key
7	KH-12-025-15	1	/P	Flywheel
8	KH-41-403-09	1	S	Rectifier-regulator
9	KH-X-22-11	2		Washer, Lock 1/4
10	KH-M-639016-S	2	/P	Screw, Hex. Flange M6 x 1.0 x 16
11	KH-23-660-2	1		Connector, Rectifier-regulator (3 Contact)
12	KH-41-155-02-S	1		Connector (4 Contact)
13	KH-M-548025-S	2	/P	Screw, Hex. Cap M5 x 0.8 x 25
14	KH-237878	1	/P	Kit, Stator (Includes Terminal 25 452 01-S)
15	KH-M-545010	2	S	Screw, Hex. Flange M5 x 0.8 x 10
16	KH-X-728-1	2		Clip
17	KH-12-132-02	1	S	Spark Plug
18	KH-M-545020-S	2		Screw, Hex. Flange M5 x 0.8 x 20
19	KH-12-584-04	1	/P	Module, Ignition
20	KH-12-154-06-S	2		Clip
21	KH-M-839070-S	2	/P	Screw, Hex. Flange M8 x 1.25 x 70
22	KH-12-098-22-S	1	/P	Starter Assembly (Includes 3-8)
23	KH-12-755-53	1	/P	Kit, Drive
24	KH-12-227-19-S	1		Cap, Drive End
25	KH-12-070-05	1		Armature
26	KH-12-221-01-S	1		Brush Assembly
27	KH-12-227-13-S	1		Commutator, End Cap
28	KH-12-211-01-S	2		Bolt, Thru
	KH-25-452-01	2		Terminal
	KH-X-25-5	1		Washer, Plain
	KH-12-176-38-S	1		Harness, Wiring
	KH-12-518-01	1		Lead, White (19" - 18 Guage Fully Insulated Push On Tab And Uninsulated Push On Terminals)
	KH-24-518-12-S	1	/P	Lead, Black (6" - 12 Guage - Insulated Grip Barrel Eyelet Terminals)
	KH-25-518-05	1		Lead, Black (5" - 14 Guage -uninsulated Push On Tab Terminals)



Engine Oil Pan & Lubrication

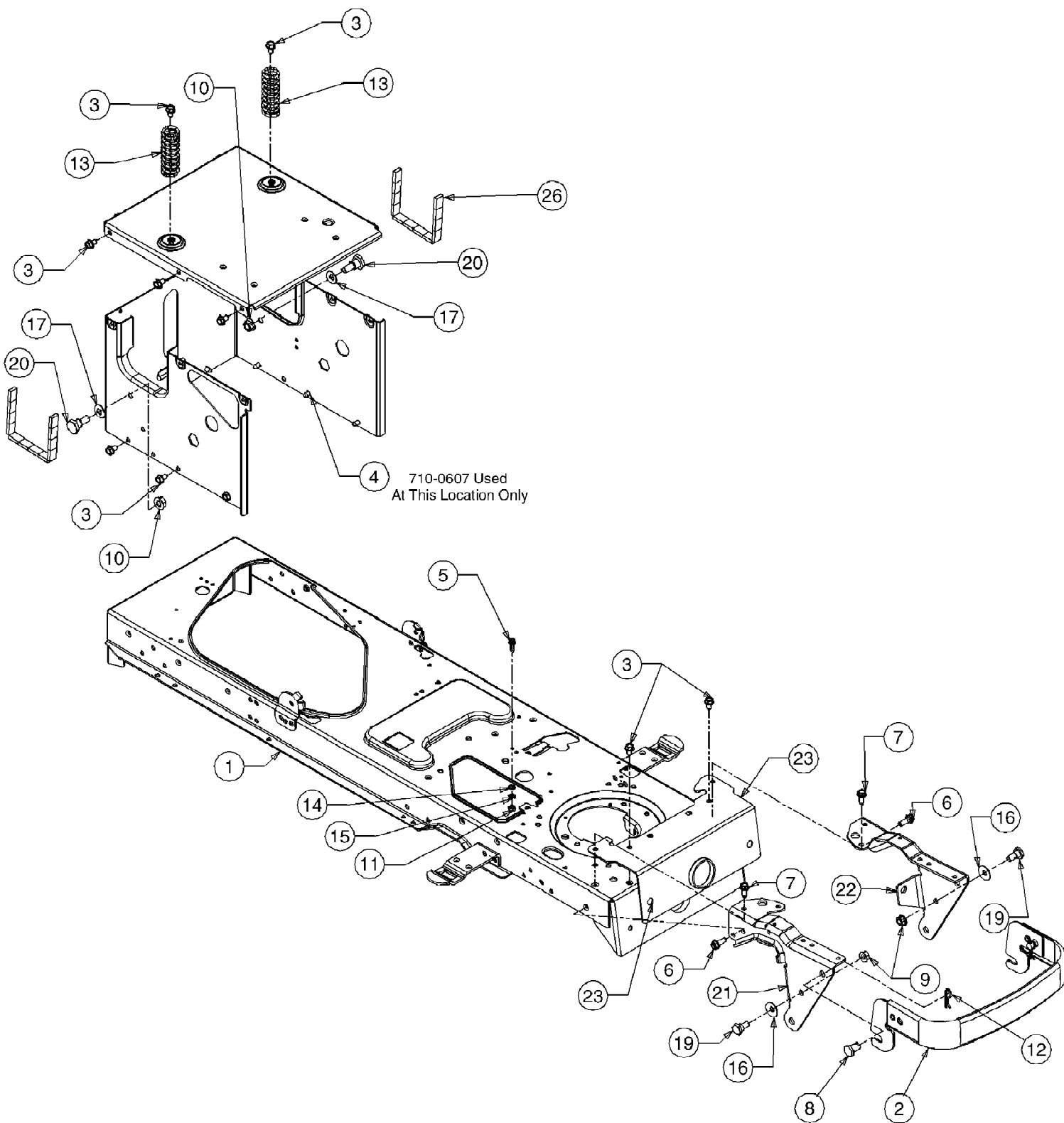
Ref #	Part Number	Qty	S/P/F	Description
1	KH-12-038-01	1		Dipstick (Includes 2, 3)
2	KH-24-755-46	1	/P	Kit, Oil Fill Cap (Includes 3)
3	KH-12-153-03	1		O-ring
4	KH-12-153-02-S	1	/P	O-ring, Upper Oil Fill Tube
5	KH-12-123-04	1	S	Tube, Oil Fill
6	KH-M-645025-S	1	/P	Screw, Hex. Flange M6 x 1.0 x 25
7	KH-12-153-01-S	1	/P	O-ring, Lower Oil Fill Tube
8	KH-25-162-07	1		Screen, Oil Pickup
9	KH-12-096-03-S	1	/P	Cover, Oil Pickup Screen
10	KH-M-545016-S	1	/P	Screw, Hex. Flange M5 x 0.8 x 16
11	KH-12-050-08	1	S	Filter, Oil
12	KH-12-199-50-S	1	/P	Pan, Oil (Includes 13, 16-19)
13	KH-25-462-09	1	/P	Valve, Oil Pressure Relief
14	KH-25-139-52-S	1		Plug, Sq. Hd. 1/8"
15	KH-25-139-57-S	2	/P	Plug, Sq. Hd. Solid 3/8"
16	KH-12-393-01	1		Pump Assembly, Oil
17	KH-12-153-06	1		O-ring, Oil Pump Cover
18	KH-12-096-34	1		Cover, Oil Pump
19	KH-M-545016-S	3	/P	Screw, Hex. Flange M5 x 0.8 x 16
20	KH-12-032-03	1	/P	Seal, Oil (P.T.O. End)
21	KH-24-086-16	11	S	Screw, Hex. Flange M8 x 1.25 x 45
22	KH-24-086-17	1	S	Screw, Hex. Flange M8 x 1.25 x 45

1515

Page 31 of 48

Fender & Fuel Tank

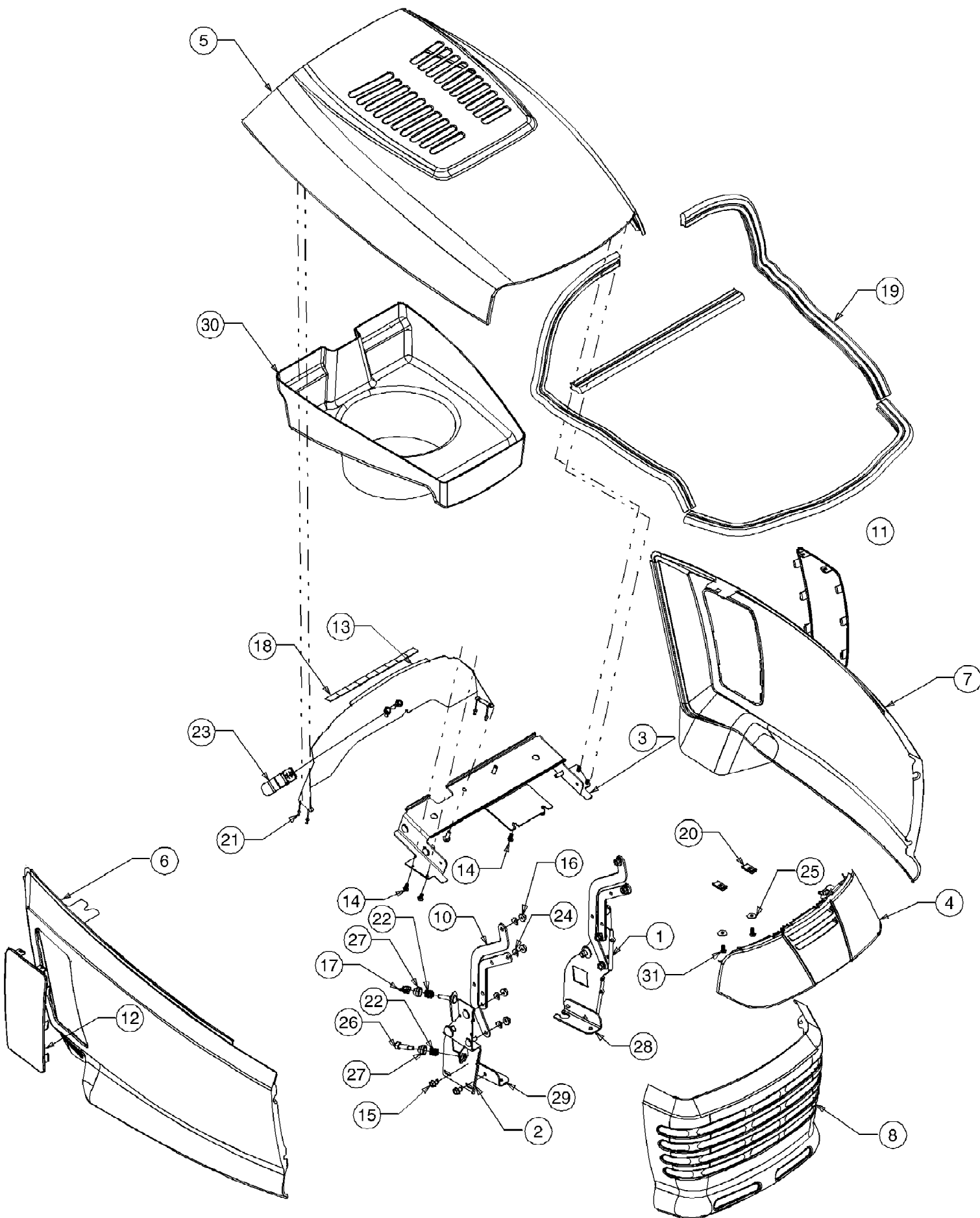
Ref #	Part Number	Qty	S/P/F	Description
1	710-0260A	2	/P	Bolt, Carriage, 5/16-18 x .62 Lg
2	710-0604A	8	/P	Screw, 5/16-18, 0.625
3	710-0895	9		Screw, 1/4-15, 0.750
4	712-3004A	2	/P	Nut, Flange Lock, 5/16-18
5	731-0511	1.5	/P	Strip, Trim
6	731-2616	1		Cover, Fender, RH
7	731-2617	1		Cover, Fender, LH
8	736-3078	2	/P	Washer, Flat, .349 x 1.00 x .063
9	783-0677	1	S	Bracket, Lift, Adjustment
10	783-1461	1	S	Fender
11	783-1489	2	S	Bracket, Seat, Mount
12	726-3046	12	/P	Clip, Ratchet, .250 Dia
13	735-0697	1		Pad, Foot, LH
14	735-0698A	1	/P	Pad, Foot, RH
15	751-0819	1	S	Tank, Fuel
16	751-3124B	1	S	Cap, Fuel



1515
Frame

Page 33 of 48

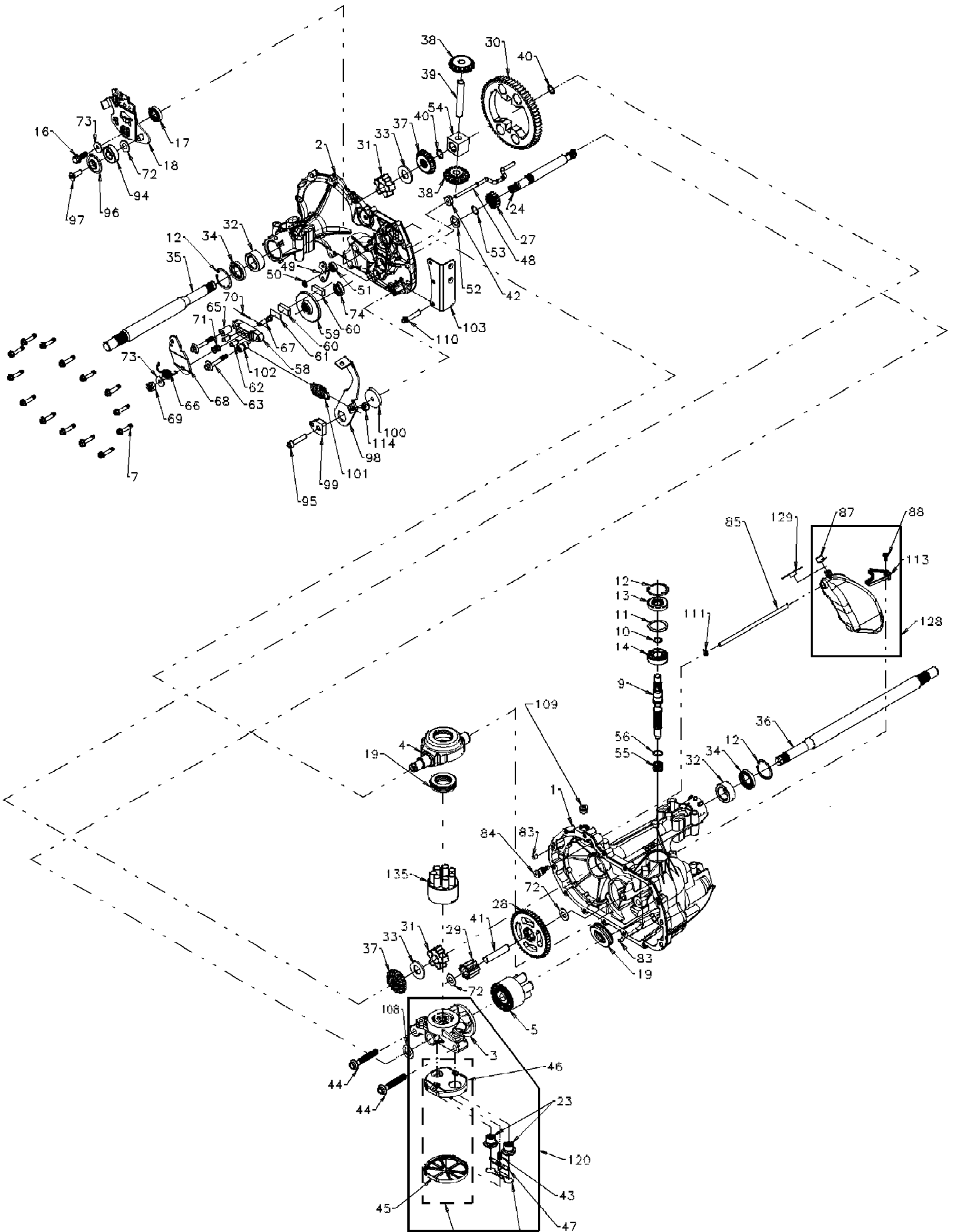
Ref #	Part Number	Qty	S/P/F	Description
1	683-0304A	1		Frame Assembly, Lower
2	683-0612	1		Bumper Assembly
3	710-0604A	19	/P	Screw, Self-tapping, 5/16-18, 0.625
4	710-0607	1	/P	Screw, Self-tapping, 5/16-18, 0.500
5	710-0642	1	/P	Screw, Self-tapping, 1/4-20, 0.750
6	710-1238	2	/P	Screw, 5/16-18, .875, Gr5
7	710-1260A	2	/P	Screw, 5/16-18, 0.750
8	711-0332	2	S	Pin, Clevis, .50 Dia x .78 Lg
9	712-0431	2	S	Nut, Flange Lock, 3/8-16
10	712-0459	2	/P	Nut, Flange Lock, 7/16-20
11	712-3006	1	/P	Nut, Hex, 1/4-20, Gr5
12	714-0145	2	S	Pin, Click, .092 x 1.64 Lg
13	732-3080A	2	/P	Spring, Compression, 1.28 OD x 3.50 Lg
14	736-0222	2	S	Washer, Lock, Ext 1/4
15	736-0329	1	S	Washer, Lock, 1/4, Regular Duty
16	736-0331	2	/P	Washer, Bell, .390 x 1.13 x .062
17	736-0407	2		Washer, Bell .45 x 1.00 x .062
?18	737-3007	1		Grease, Alvania Ep 2
19	738-0143	2	/P	Shoulder Screw, 3/8-16
20	738-1020	2		Shoulder Screw .625 x .500, 7/16-20
21	783-0726B	1	S	Bracket, Pivot, Support RH
22	783-0727A	1	S	Bracket, Pivot, Support LH
23	783-0728	1		Bracket, Pivot, Bar
?24	783-1462	1	S	Frame, Upper, Cub 1500
?25	783-1463	1	S	Bracket, Frame, Seat
26	722-3022	18	S	Foam Tape, .625 x .25



1515
Hood & Grille

Page 35 of 48

Ref #	Part Number	Qty	S/P/F	Description
1	603-0211	1		Bracket Assembly, Grille LH
2	603-0212	1	S	Bracket Assembly, Grille RH
3	603-0583A	1		Bracket Assembly, Hood
4	625-0053	1	S	Headlight Assembly, Front
	725-0963	2	S	Miniature Lamp, 12V Socket-type
	725-1649	2	S	Socket,Lamp, Nylon 1/4-Turn
	731-3138A	1	S	Lens
	731-3295	1		Reflector, Headlight
5	703-05000	1	S	Hood
6	703-2396	1	S	Side Panel, RH
7	703-2397	1	S	Side Panel, LH
8	703-2398	1	S	Grille
9	703-2465	2	/P	Link, Hood Upper 6.06
10	703-2466A	2	S	Link, Hood, Rear
11	703-2495	1	S	Screen, LH Side Panel
12	703-2496	1	S	Screen, RH Side Panel
13	703-2563A	1	S	Bulkhead, Hood, Upper
14	710-0351	6	/P	Screw, #10-16, 0.500, Pan Phillips
15	710-0599	6	/P	Screw, Self-tapping, 1/4-20, 0.500
16	712-3027	8	S	Nut, Flange Lock, 1/4-20
17	712-3087	2	/P	Nut, Wing, 1/4-20
18	722-3021	9		Tape, Two-sided Adhesive Foam
19	723-3061	19		Seal, Heat Baffle
20	726-0139	2	/P	Nut, Speed, 10z U-type
21	728-0117	4		Rivet, Pop, .125 OD, #42
22	732-0334	4	S	Spring, Compression, .50 OD x .5 Lg
23	732-0855A	1	/P	Spring, Latch, Hood
24	736-0175	8	S	Washer, Spring, .265 x.562 x.025
25	736-0400	2	S	Washer, Flat, .194 x .62 OD x .063
26	738-3141	2	S	Screw, Shoulder, .31 x .75, 1/4-20
27	748-3055	4	S	Bushing, Tapered, .32 ID x .69 OD
28	783-1467A	1	S	Bracket, Mounting, Grille LH
29	783-1468A	1	S	Bracket, Mounting, Grille RH
30	731-04009	1		Plenum, Hood
31	710-0436	2	S	Hex Screw, #10-16 x 0.625



1515
Hydrostatic

Page 37 of 48

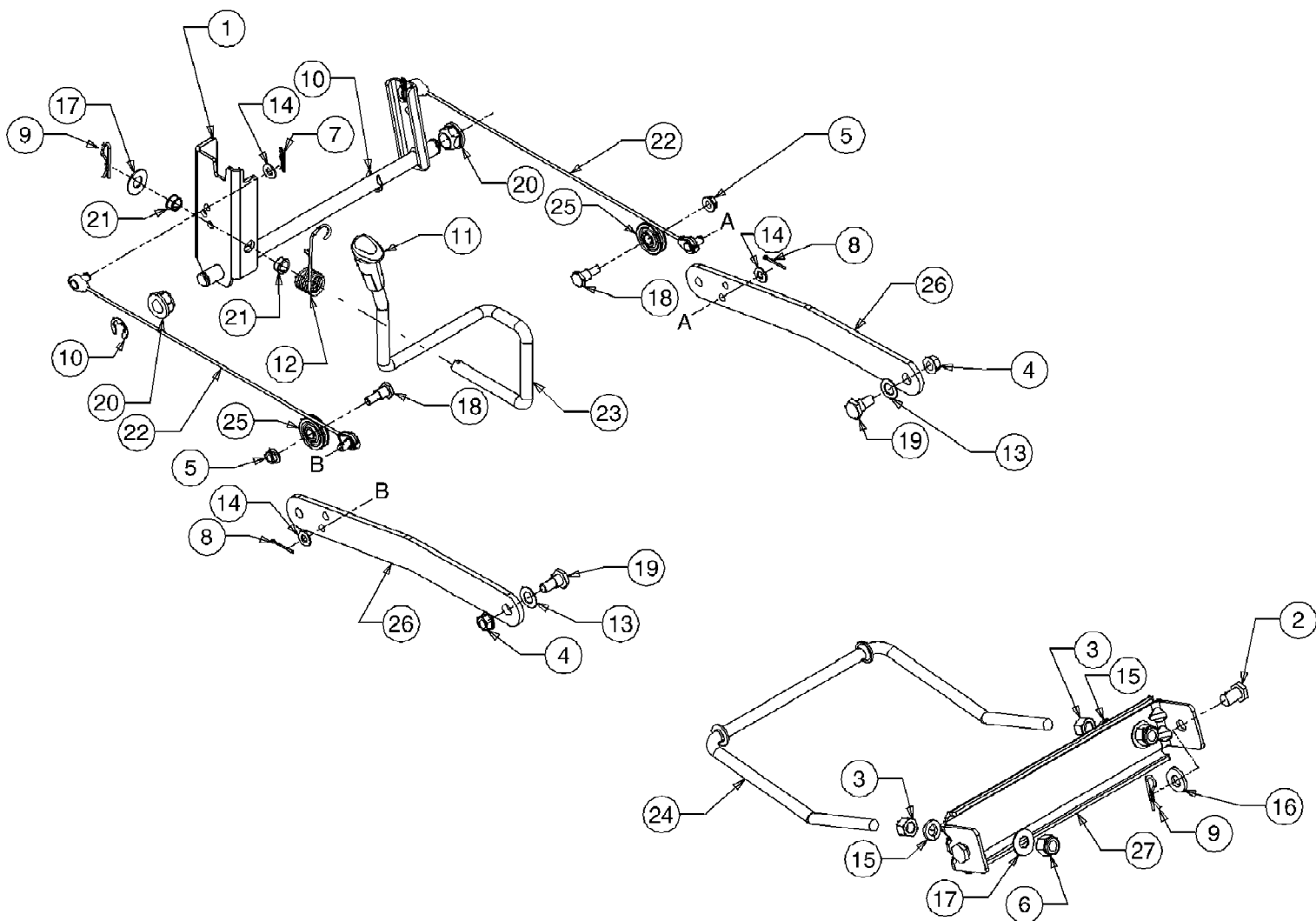
Ref #	Part Number	Qty	S/P/F	Description
1	HG-70721	1		Main Housing, Assembly, Black
2	HG-70720	1	S	Side Housing, Assembly, Black
3	HG-70724	1		Center Section, Assembly
4	HG-51048	1	/P	Swashplate, Trunnion Machined
5	HG-70331	1	/P	Block - Assembly
?6	~N/A	1		Sealant (Purchase Locally)
7	HG-51190	14	/P	Hex Flange Screw 1/4-20 x 1.25
9	HG-51062	1	/P	Shaft, Input
10	HG-2000022	1	/P	Ring - Retaining
11	HG-50951	1	/P	Spacer
12	HG-50329	3	/P	Ring - Retaining
13	HG-51161	1	/P	Seal, Lip .67 x 1.58 x .276
14	HG-50315	1		Ball Bearing 17mm x 40mm x 12mm
16	HG-51064	1		Hex Flange Head Screw 5/16-24 x 0.75 1
17	HG-51140	1	/P	Lip Seal 18 x 32 x 7
18	HG-51119	1	/P	Arm, Control
19	HG-50551	2	S	Bearing, 30 x 52 x 13 Thrust
23	HG-51084	2	/P	Check Plug Assembly, .027, Washer
24	HG-50966	1		Shaft, Motor
27	HG-51130	1		Gear - Pinnion, 13t
28	HG-51129	1		10t / 48t Gear
29	HG-51043	1	/P	Gear, 10t Jackshaft
30	HG-51044	1		60t Bull Gear
31	HG-51088	2	/P	Sleeve Bearing .75 x 1.750 x .625
32	HG-51517	2	/P	Sleeve Bearing 1.00 x 1.575 x .625
33	HG-44875	2	/P	Washer, 3/4 ID x 1-1/2 OD x .13
34	HG-51518	2	/P	Lip Seal Axle Seal
35	HG-51520	1		Shaft, Black, Axle 1.00 x 11.99 Flange
36	HG-51521	1		Shaft, Black, Axle 1.00 x 17.59 Flange
37	HG-44096	2	S	Miter Gear (Splined)
38	HG-44097	2		Miter Gear 15t (0.5 ID)
39	HG-50146	1		Shaft
40	HG-44871	2	/P	Ring, Spiral Retaining
41	HG-51083	1		Pin, Jackshaft
42	HG-51100	1		Magnet, Ring
43	HG-51136	1		Spring, Bypass
44	HG-50016	2		Hydro Mounting Screw 3/8-24 x 2.5 Lg
45	~N/A	1		Filter Use Ref# 121
46	~N/A	1		Base, Filter Use Ref# 121
47	HG-51091	1		Actuator, Bypass
48	HG-51098	1		Rod, Bypass Actuator
49	HG-51135	1		Arm, Bypass
50	HG-51116	1	/P	Retaining Ring 0.250 External
51	HG-51081	1	/P	Seal, Lip .741 x .250 x .250 Tc
52	HG-44371	1	/P	Flat Washer, 5/8 ID x 1.0 OD x .05
53	HG-44145	1		Retaining Ring
54	HG-51071	1		Bearing, Center Block
55	HG-2003014	1	/P	Spring - Helical Compression
56	HG-2003017	1	/P	Washer
?57	737-3121	1	/P	DSO Fluid (Gal)
58	HG-62589	1	/P	Brake Yoke
59	HG-51072	1	/P	Rotor, Brake
60	HG-44132	2	S	Brake Puck

1515
Hydrostatic

Page 38 of 48

Ref #	Part Number	Qty	S/P/F	Description
61	HG-44134	1	S	Puck Plate
62	HG-44127	2	S	Brake Actuating Pin
63	HG-51146	1		Bolt, 1/4-20 x 2 w/patch, Special Flange 2
65	HG-23711	1		Spacer
66	HG-51345	1		Spring, Brake Arm Bias
67	HG-44138	1		Square Head Bolt 5/16-24- Ribbed
68	HG-44094	1	/P	Arm, Brake
69	HG-44142	1	S	Slotted Hex Nut 5/16-24
70	HG-44101	1	S	Cotter Pin 3/32 x 3/4
71	HG-50919	1	/P	Compression Spring Brake Anti-drag
72	HG-50132	3	/P	Washer, Ht .5 ID x 1 OD x .032
73	HG-44130	2	S	Flat - Washer 11/32 ID x 7/8 OD
74	HG-44761	1	S	Oil Seal .625 x 1.0 x.25
83	HG-9004800-2506	2	/P	Pin, Standard Headless
84	HG-51143	1	/P	Fitting, 5/16 Sae 5/32 Tube
85	HG-51147	1		Hose, Expansion Tank
87	HG-51251	1		Cap, Vent
88	HG-50653	1	/P	Bolt, Self Tapping 10-32 x 1/2
94	HG-44147	1		Ball Bearing .62 ID x 1.38 x .44
95	HG-50837	1		Socket Head Screw, 5/16-24 x 1-1/2
96	HG-51200	1		Spacer, Locating
97	HG-50870	1		Screw
98	HG-51120	1		Arm, Return
99	HG-51097	1		Puck, Adjusting
100	HG-51122	1		Washer, .325 OD x 1.60 ID x .150
101	HG-51131	1	/P	Spring, Extension
102	HG-51123	1		Spacer .560 OD x .260 ID x .870
103	HG-51223	1		Bracket, Torque
107	HG-51134	1		Deflector
108	HG-51069	1		Washer, Shaft .71 ID x 1.15 OD x .030
109	HG-9005110-5600	1	/P	Plug, SAE #6
110	HG-50868	1		Torx Head Screw, 5/16-18
111	HG-51144	1		O-ring .07 x .301 ID
113	HG-51179	1		Bracket, support Expansion Tank
114	HG-51184	1	/P	Spring Guide
120	~N/A	1		Center Section - Filter - Bypass Ass'y (Not available as assembly)
121	HG-70756	1	/P	Filter Assembly
?122	HG-70722	1		Seal - O-ring Kit
128	HG-70503	1	/P	Kit, Expansion Tank
129	~N/A	1		Cap, Expansion Tank Shipping
135	HG-70723	1	/P	Block, Assembly 7 Piston

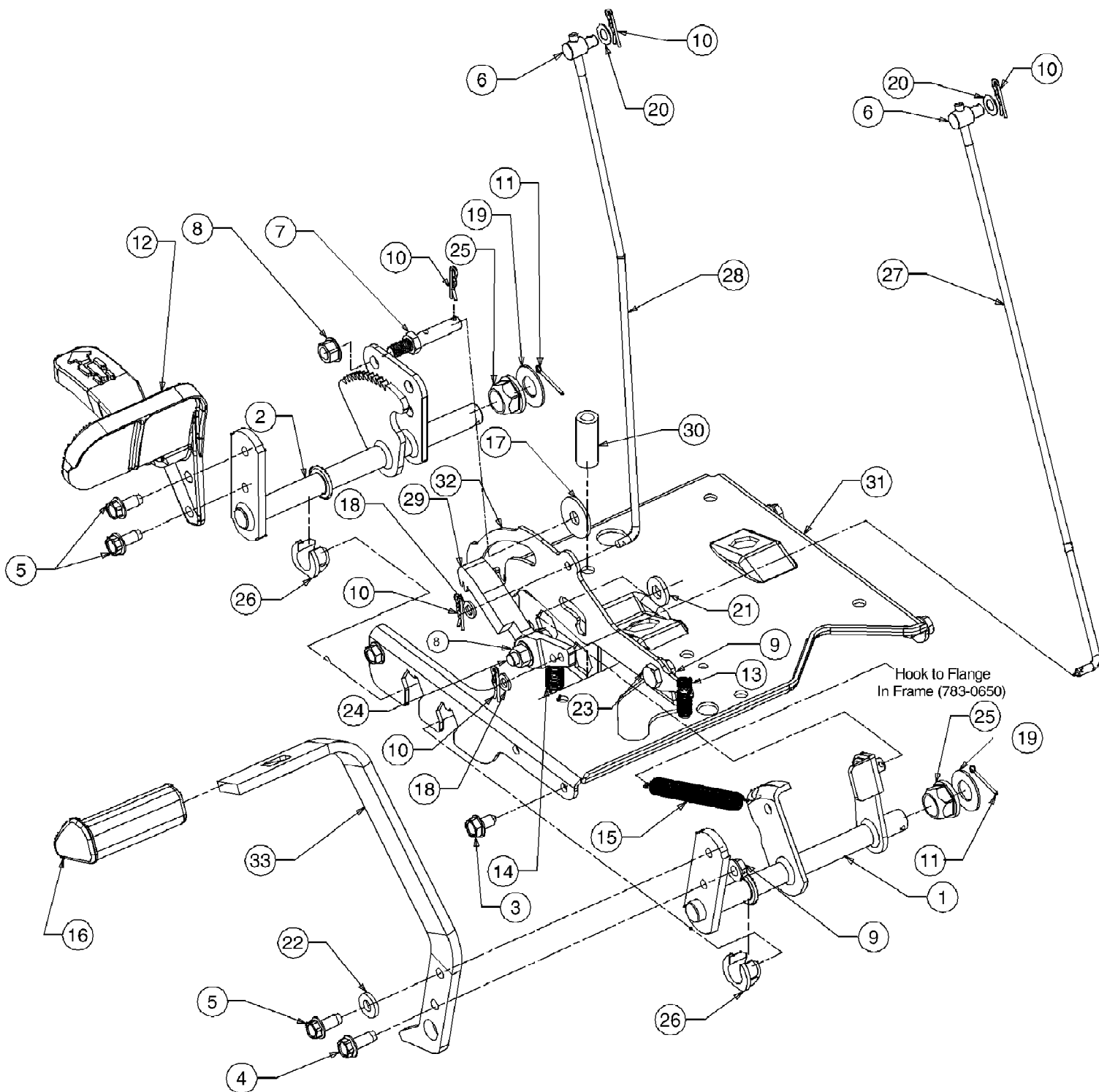
1515
Lift Assembly



1515
Lift Assembly

Page 40 of 48

Ref #	Part Number	Qty	S/P/F	Description
1	683-0197B	1	S	Shaft Assembly, Lift
2	711-0332	2	S	Pin, Clevis, .50 Dia x .78 Lg
3	712-0206	2	S	Nut, Hex, 1/2-13, Gr5
4	712-0431	2	S	Nut, Flange Lock, 3/8-16
5	712-3004A	2	/P	Nut, Flange Lock, 5/16-18, Gr5
6	712-3083	2	/P	Nut, Hex Lock, 1/2-13, Gr8, Nylon
7	714-0104	2	S	Pin, Cotter, .072 Dia. x 1.13 Lg
8	714-0111	2	S	Pin, Cotter, 3/32, 1.0
9	714-0145A	2		Pin, Click, .092 x 1.64 Lg
10	716-0106	2	/P	E-ring, .625 Dia. Shaft
11	731-2111A	1	S	Knob
12	732-0874	1	/P	Spring, Torsion
13	736-0160	2	S	Washer, Flat, .53 x .93 x .050
14	736-0275	4	S	Washer, Flat, .344 x .688 x .065
15	736-0921	2	S	Washer, Lock, 1/2, Regular Duty
16	736-3019	2		Washer, Flat, .531 x 1.062 x .134
17	736-3084	3	/P	Washer, Flat, .510 x 1.120 x .060
18	738-0138A	2	/P	Screw, Hex Cap, 5/16-18x.620 Gr2
19	738-0143	2	/P	Shoulder Screw, 3/8-16
20	741-0225	2	S	Bearing, Hex Flange
21	741-0715	2	S	Bearing, Flange, Snap .500 ID
22	746-0968	2		Cable, Lift, 16.16 Lg
23	747-1111A	1	/P	Handle, Lift
24	747-1130B	1	/P	Rod, Deck, Front Adjustment .5" Dia
25	756-1154	2		Pulley, Roller
26	783-0678A	2	S	Lift, Arm
27	783-0720A	1	S	Bracket, Adjustment, Front Deck Rod

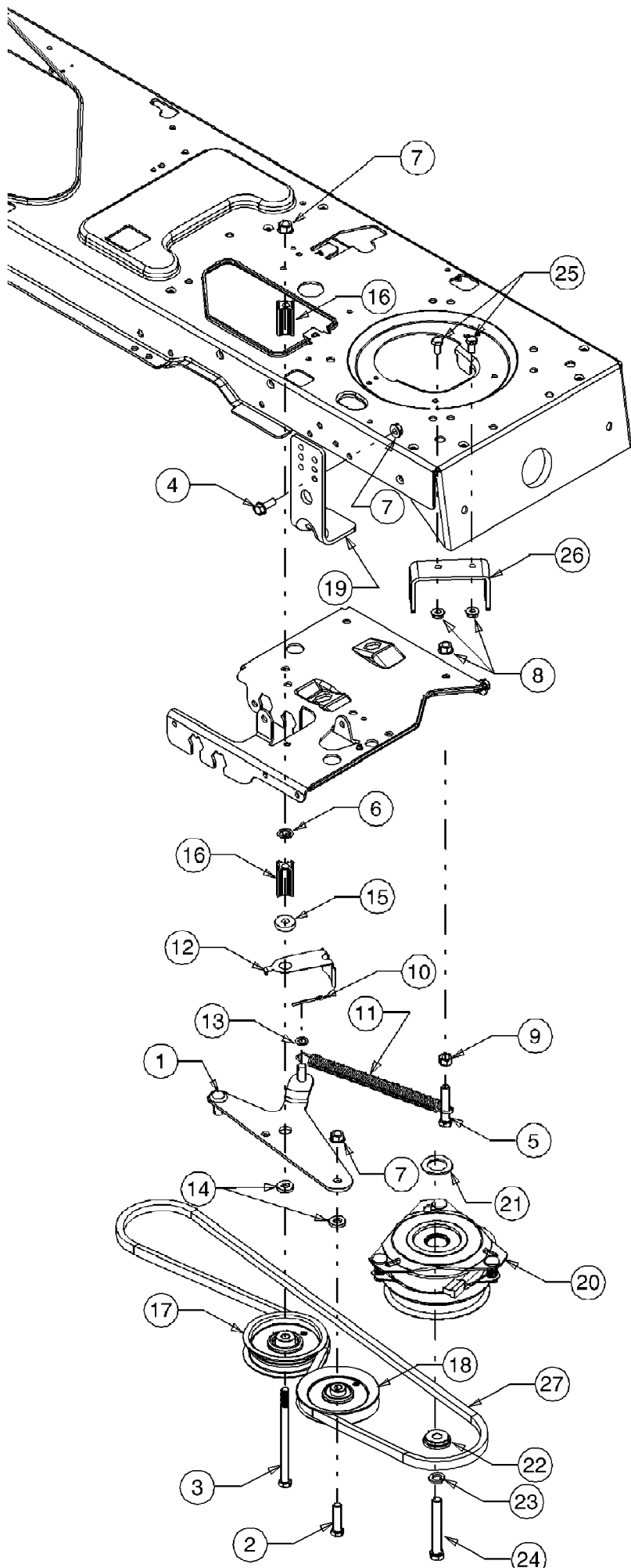


1515
Pedal Assembly

Page 42 of 48

Ref #	Part Number	Qty	S/P/F	Description
1	647-0031	1	S	Control Assembly, Brake
2	647-0049	1	S	Control Assembly, Hydro
3	710-0604A	4	/P	Screw, Self-tapping, 5/16-18, 0.625
4	710-0650	1	/P	Screw, Self-tapping, 5/16-18, 0.875
5	710-1260A	3	/P	Screw, 5/16-18, 0.750
6	711-0736	2	/P	Adjustment Ferrule 1/4-20 x 1.0
7	711-1363	1		Pin, 3/8-16, 3/8 x 2.43 Lg
8	712-0431	2	S	Nut, Flange Lock, 3/8-16
9	712-3004A	2	/P	Nut, Flange Lock, 5/16-18, Gr5
10	714-0104	6	S	Pin, Cotter, .072 Dia. x 1.13 Lg
11	714-0111	2	S	Pin, Cotter, 3/32, 1.0
12	719-0584	1		Pedal, Control
13	732-0335	1		Spring, Compression, .405 x 1.17
14	732-0955	1		Spring, Extension, .50 OD x 1.41 Lg
15	732-0963	1		Spring, Extension, .50 Dia x 6.37 Lg
16	735-3049	1	S	Pad, Brake, Control
17	736-0133	1	S	Washer, Flat, .411 x 1.25 x .100
18	736-0142	2	S	Washer, Flat, .281 x .50 x .063
19	736-0187	2	/P	Washer, Flat .64 ID x 1.24 x .06
20	736-0204	2	/P	Washer, Flat, .344 ID x .62 OD
21	736-3004	1	S	Washer, Flat, .406 ID x .875 OD x .105
22	736-3008	1	S	Washer, Flat, .344 x .750 x .120
23	738-0155	1	S	Shoulder, Screw .437 x 1.62 Lg
24	738-0507B	1	S	Screw, Shoulder, .500 Dia x .434
25	741-0225	2	S	Bearing, Hex Flange
26	741-3065B	2	/P	Bearing, Hex Flange, .628 ID, Split
27	747-1137	1		Rod, Control, Cruise
28	747-1138	1		Rod, Control, Brake Lock
29	748-0413	1		Latch, Cruise
30	748-0415B	1	/P	Spacer, .385 ID x .635 OD x 1.54
31	783-0653F	1	S	Bracket, Support, Stearing
32	783-0663C	1	S	Bracket, Lockout, Hydro
33	783-1469	1	S	Pedal, Brake

1515
Power Take-Off (PTO) System



1515

Page 44 of 48

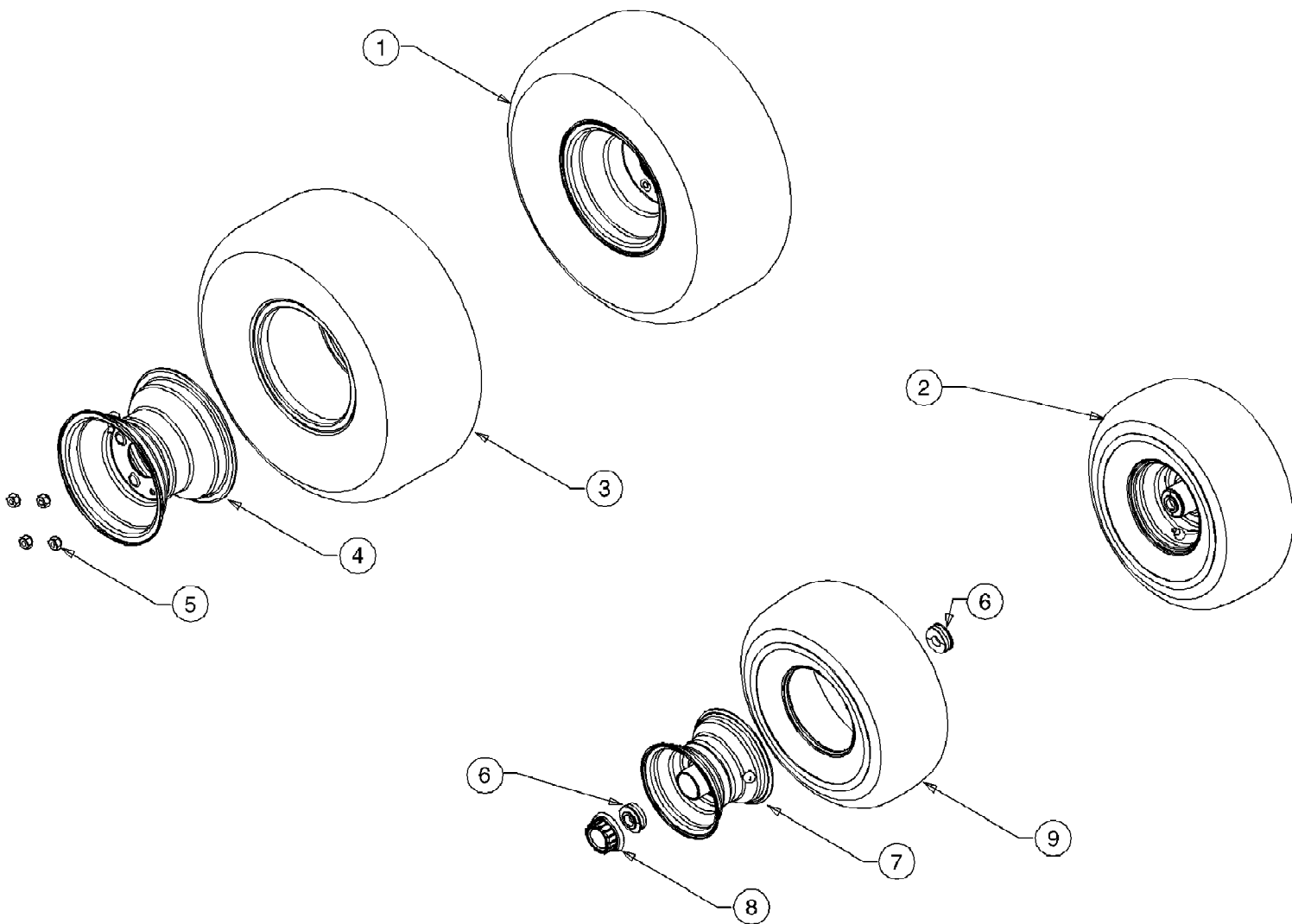
Power Take-Off (PTO) System

Ref #	Part Number	Qty	S/P/F	Description
1	683-0450	1	/P	Plate Assembly, Engagement (Model 1517)
2	710-0520	1	/P	Screw, 3/8-16, 1.5 (Model 1517)
3	710-0831	1		Screw, 3/8-16, 5.5 (Model 1517)
4	710-1238	2	/P	Screw, 5/16-18, .875
5	710-3144	1	/P	Screw, 3/8-16, 2.0 (Model 1517)
6	712-0229	1		Push Nut, 3/8 (Model 1517)
7	712-0431	4	S	Nut, Flange Lock, 3/8-16
8	712-3004A	3	/P	Nut, Flange Lock, 5/16-18
9	712-3017	1	S	Nut, 3/8-16 (Model 1517)
10	714-0470	1	S	Cotter Pin, 1/8 x 1.25 (Model 1517)
11	732-0384	1	S	Spring, Extension .62 x 6.12 (Model 1517)
12	732-0991A	1	/P	Belt Guard (Model 1517)
13	736-0140	1	S	Washer, Flat .385 x .62 x .063 (Model 1517)
14	736-3010	2	/P	Washer, Flat .407 x .812 x .135 (Model 1517)
15	738-0372	1	S	Shoulder Spacer, .380
16	748-0415A	2	S	Spacer, 3/8 x 1.54
17	756-0627B	1	S	Pulley, Idler, 3.5 (Model 1517)
18	756-1208	1		Pulley, Idler, 4.0 (Model 1517)
19	783-0891B	1		Deck Stop
20	717-1773	1	S	Clutch, Electric PTO, 6" (Model 1515)
	717-1708	1	S	Clutch, Electric PTO (Model 1517)
21	736-0277	1		Washer, Flat, 1.031 x 1.620 x .095
22	738-0785	1	S	Spacer, Shoulder, 1.38 x .445 x .36
23	736-0171	1	S	Washer, Lock, 7/16, Regular Duty
24	710-3157	1	S	Screw, 7/16-20, 3.25, Gr5
25	710-3025	2	/P	Screw, 5/16-18, .625, Gr5
26	783-1003	1	S	Bracket, Clutch
27	754-0644	1	S	Belt, V-type (Model 1517)

1515
Steering

Page 46 of 48

Ref #	Part Number	Qty	S/P/F	Description
1	710-0514	2	/P	Hex Cap Screw, 3/8-16, 1.00, Gr5, Std
2	711-1408	1		Link, Drag, RH
3	711-1409A	1	/P	Link, Drag, LH
4	712-0237	1	S	Nut, Hex Lock, 5/16-24
5	712-0240	2	S	Nut, Jam, 7/16-20, Gr2
6	712-0241	2	/P	Nut, Hex, 3/8-24, Gr5
7	712-0431	4	S	Nut, Flange Lock, 3/8-16
8	712-0459	1	/P	Nut, Flange Lock, 7/16-20
9	712-3004A	2	/P	Nut, Flange Lock, 5/16-18
10	717-1550D	1	S	Gear, Steering, 11/90 Ratio
11	717-1554	1		Gear, Pinion, Steering
12	723-0610	2		Ball Joint, 7/16-20
13	736-0169	2	S	Washer, Lock, 3/8, Regular Duty
14	736-0242	1	/P	Washer, Bell, .340 x .872 x .060
15	736-3084	1	/P	Washer, Flat, .510 x 1.120 x .060
?16	737-3007	1		Grease, Alvania Ep 2
17	738-0372B	2	/P	Spacer, Shoulder, 1.00 x .38 x .38
18	738-1194	1		Shaft, Steering, .625 OD x 25.00 Lg
19	741-0475	2	S	Bushing, Plastic, .380 ID
20	741-0656	1	S	Bearing, Hex Flange, 5/8
21	683-0605	1	S	Axle Assembly, LH .750 Dia
22	683-0606	1	S	Axle Assembly, RH .750 Dia
23	712-0417A	2	/P	Nut, Hex, Flange, 5/8-18
24	714-0162	2	/P	Pin, Cot, 5/32, 1.25
25	719-0583	1		Axle, Pivot, Cast .750 Dia
26	736-0866	2		Washer, Flat, .755 x 1.92 x .060
27	738-1011	2	S	Spacer, Shoulder, .500 x 2.230, 3/8-16
28	731-3209	1		Wheel, Steering, Soft Grip, Three Spoke
29	731-3210	1		Cover, Steering Wheel
	737-3000	2	S	Fitting, Grease 3/16" Drive (Not Shown)



1515
Wheels

Page 48 of 48

Ref #	Part Number	Qty	S/P/F	Description
1	~NA	2		Rim/Wheel Assembly, 20 x 9 x 8 (4-Lug) (Not available as Assembly)
2	~NA	2		Wheel, Complete, 15 x 6 x 6 (Not available as Assembly)
3	734-3189	2	/P	Tire, Turf, Cub Cadet 20 x 9 x 8
4	634-0246	2	S	Rim Assembly, 8.0 x 6.19 (4-Lug)
5	712-3050	8	/P	Lug Nut, 7/16-14
6	741-3032	4	S	Bearing, Ball, .75 ID x 1.75 OD
7	634-3015	2	S	Rim Assembly, Bead Lock, 6 x 4.5
8	731-3020	2	S	Hub Cap
9	734-3186	2	S	Tire, Turf, Cub Cadet 15 x 6 x 6
	737-0224	2		Grease Fitting
	734-0255	4	S	Valve, Tubeless Air