

1212 S/N 11010H-  
Deck Assembly

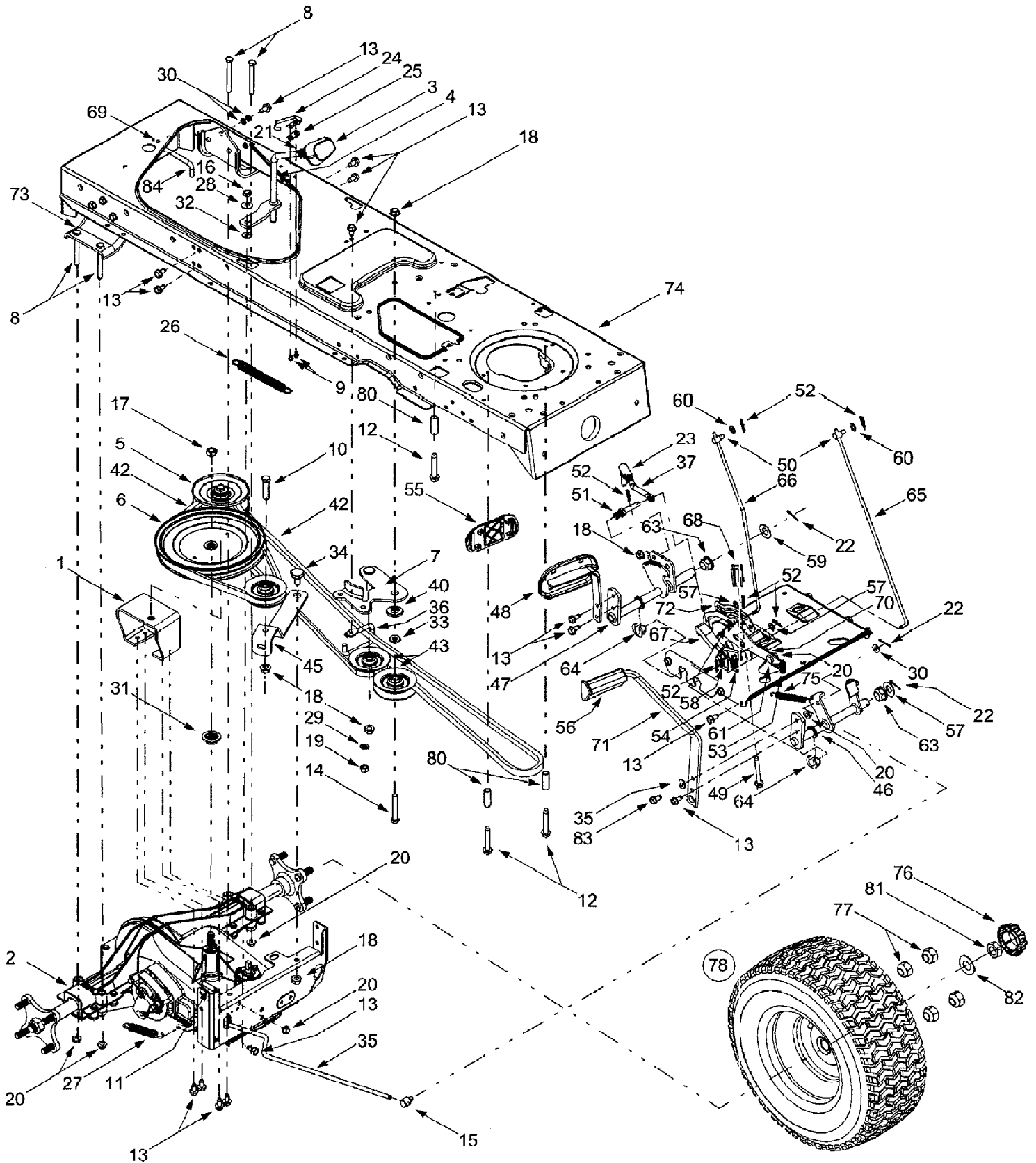
Page 2 of 31

Ref #	Part Number	Qty	S/P/F	Description
1	96606	1	/P	Retainer Hook
2	17982-0637	1	/P	Spindle Reinforcement Plate
3	618-0240A	1	S	Spindle Assembly, 5.0 Dia.
3	17983	1		Bearing Shield Not shown
3	619-0042A	1	/P	Spindle Housing Not shown
3	712-0417A	1	/P	Hex Flange Nut 5/8-18 Not shown
3	738-0927	1		Spindle Shaft 4.450 Not shown
3	941-0919	1	/P	Ball Bearing 20 x 47 x 14:62 Not shown
3	748-0434	1		Spacer .750 x 1.150 x .230 Not shown
3	750-0952	1		Spacer .750 x 1.060 x 1.800 Not shown
3	756-1187	1		Deck Pulley 5.0 Dia Not shown
4	618-0241	1	S	Double Pulley Spindle Assembly
4	17983	1		Bearing Shield Not shown
4	619-0042A	1	/P	Spindle Housing Not shown
4	712-0417A	1	/P	Hex Flange Nut 5/8-18 Not shown
4	738-0926	1		Spindle Shaft 5.350 Not shown
4	941-0919	1	/P	Ball Bearing 20 x 47 x 14:62 Not shown
4	750-0952	1		Spacer .792 x 1.060 x 1.800 Not shown
4	756-0603	1	/P	Double Deck Pulley Not shown
5	683-0254B	1	/P	Deck Adjustment Bracket Assembly
6	683-0199C	1	/P	46-inch Deck Shell
7	710-0167	1	/P	Carriage Screw, 1/4-20 x .50
8	710-0344	1	/P	Hex Cap Screw, 3/8-16 x 1.5
9	710-0501	1	/P	Hex Cap Screw, 1/4-20 x 2.0
10	710-0514	1	/P	Hex Cap Screw, 3/8-16 x 1.0
11	710-0528	1	/P	Hex Cap Screw, 5/8-18 x 1.25
12	710-0599	1	/P	Self-tapping Screw, 1/4-20 x .5
13	710-0650	1	/P	Self-tapping Screw, 15/16-18 x .875
14	710-0703	1	/P	Hex Screw, 1/4-20 x .75
15	710-0751	1	/P	Hex Cap Screw, 1/4-20 x .62
16	710-1260A	1	/P	Self-tapping Screw, 5/16-18 x .75
17	712-0271	1	/P	Hex Sems Nut, 1/4-20
18	712-0417A	1	/P	Hex Flange Nut, 5/8-18
19	912-0431	1	/P	Flange Lock Nut, 3/8-16
20	712-3006	1	/P	Hex Nut, 1/4-20
21	912-3027	1	/P	Hex Flange Lock Nut, 1/4-20
22	914-0470	1	/P	Cotter Pin, 1/8 x 1.25
23	917-04074	1	/P	Deck Adjustment Gear
24	726-0233	1	/P	Push Nut. .25 x .5
25	931-1032B	1	/P	Side Discharge Chute Assembly
26	932-0306A	1	/P	Compression Spring, .406 x .531 x 1.75
27	932-0594A	1	/P	Extension Spring, .91 x 7.3
28	710-0578	1	/P	Screw, 1/4-20 x 1.5
29	734-0973	1	/P	Deck Wheel, 5 x 1.38
30	736-0105	1	/P	Bell Washer, .401 x .87 x .063
31	936-0119	1	/P	Lock Washer, 5/16
32	736-0270	1	/P	Bell Washer, .265 x .75 x .062
33	938-0347	1	/P	Shoulder Spacer, .625 x 1.16
34	938-0373	1	/P	Shoulder Screw
35	942-0611A	1	/P	Three-in-one Blade, Star Center, 16.28"
36	942-0612A	1	/P	Three-in-one Blade, Star Center, 14.88"
37	747-1116	1	/P	Deck Release Pin
38	954-0349	1	/P	Deck Belt Poly

1212 S/N 1I010H-  
Deck Assembly

Page 3 of 31

Ref #	Part Number	Qty	S/P/F	Description
39	938-3056	1	/P	Shoulder Screw, 1/2-2.5
40	756-0627D	1	/P	Idler Pulley, 3.5
41	753-04856A	1	/P	Deck Wheel, 5.0
42	783-0139B-0637	1	/P	Idler Bracket
43	783-0141-0637	1		Center Deck Skirt
44	783-0142-0637	1	/P	RH Deck Skirt
45	783-0747B	1	/P	LH Belt Cover
46	783-0805C	1	/P	RH Belt Cover
47	753-0875	1	/P	46-inch Deck Assembly Complete



1212 S/N 11010H-  
Drive System & Rear Wheels

Page 5 of 31

Ref #	Part Number	Qty	S/P/F	Description
1	618-0375	1	S	Variable-speed Bracket Assembly
2	618-0376	1	S	Two-speed Transmission Assembly
3	631-0009A	1	S	Shifter Knob
4	647-0037	1		Shift Lever
5	656-0050	1		Variable-speed Pulley Assembly
6	756-0665	1	S	Transmission Pulley, 8.5
7	683-0251	1		Double-idler Bracket
8	710-0189	1	/P	Hex Cap Screw, 5/16-18 x 3
9	710-0227	1	/P	Self Tapping Screw, #8-18 x.5
10	710-0347	1	/P	Hex Cap Screw, 3/8-16 x 1.75
11	710-0528	1	/P	Hex Cap Screw, 5/16-18 x 1.25
12	710-0809	1		Self-tapping Screw, 1/4-20 x 1.25
13	710-0604A	1	/P	Self Tapping Screw, 5/16-18 x .625
14	710-3011	1	/P	Hex Cap Screw, 3/8-16 x 2.25
15	711-0677	1	S	Ferrule, 5/16 x .312 Dia.
16	712-0181	1	S	Hex Jam Nut, 3/8-16
17	712-0702	1	S	Hex Flange Nut, 7/16-20
18	712-0431	1	S	Flange Lock Nut, 3/8-16
19	712-0798	1	/P	Hex Nut, 3/8-16
20	712-3004A	1	/P	Flange Lock Nut, 5/16-18
21	712-3008	1	S	Hex Jam Nut, 3/8-16
22	714-0111	1	S	Cotter Pin
23	723-3018	1	S	Ball Joint, 3/8-24
24	725-1713	1		Spring Switch
25	726-0320	1	S	Insulator Nut Plate
26	732-0384	1	S	Extension Spring, .62 Dia. x 6.12
27	732-0716	1	S	Extension Spring, .59 OD x 4.0
28	736-0105	1	/P	Bell Washer, .401 x .870 x .063
29	736-0169	1	S	Lock Washer, 3/8
30	736-0275	1	S	Flat Washer, 5/16
31	718-0771	1	S	Pulley Hub, 1/2 Spline
32	736-0642	1		Flat Washer, .44 x .75 x .06
33	736-3010	1	/P	Flat Washer, .407 x .812 x .135
34	738-0322	1	S	Shoulder Screw, .625 Dia. x .21
35	747-1122	1		Brake Rod
36	747-1123A	1	/P	Belt Guard
37	747-1127	1		Idler Adjustment Rod, 3/8
?38	710-1026	1	/P	Self-tapping Screw, 1/4-20 x 1.75
?39	747-1185	1		Transmission Belt Guard Rod
40	748-0416	1		Shoulder Spacer, .380 ID
?41	754-0467	1	S	Variable-speed Belt
42	754-0468	1	S	Drive Belt
43	756-0981A	1	S	Flat Idler, 2.75 OD
?44	783-0667A	1	S	Transmission Torque Bracket
45	783-0669	1	S	Idler Bracket
46	647-0031	1	S	Brake Control Shaft Assembly
47	647-0032	1	S	Speed Control Shaft Assembly
48	683-0266	1		Drive Pedal Assembly
49	710-1135	1		Self Tapping Screw, 5/16-18 x 2.5
50	711-0736	1	/P	Ferrule, 1/4-20
51	711-1363	1		Pin, 3/8-16 x 2.43
52	714-0104	1	S	Cotter Pin
53	732-0437	1		Compression Spring, .34 OD x 1.0

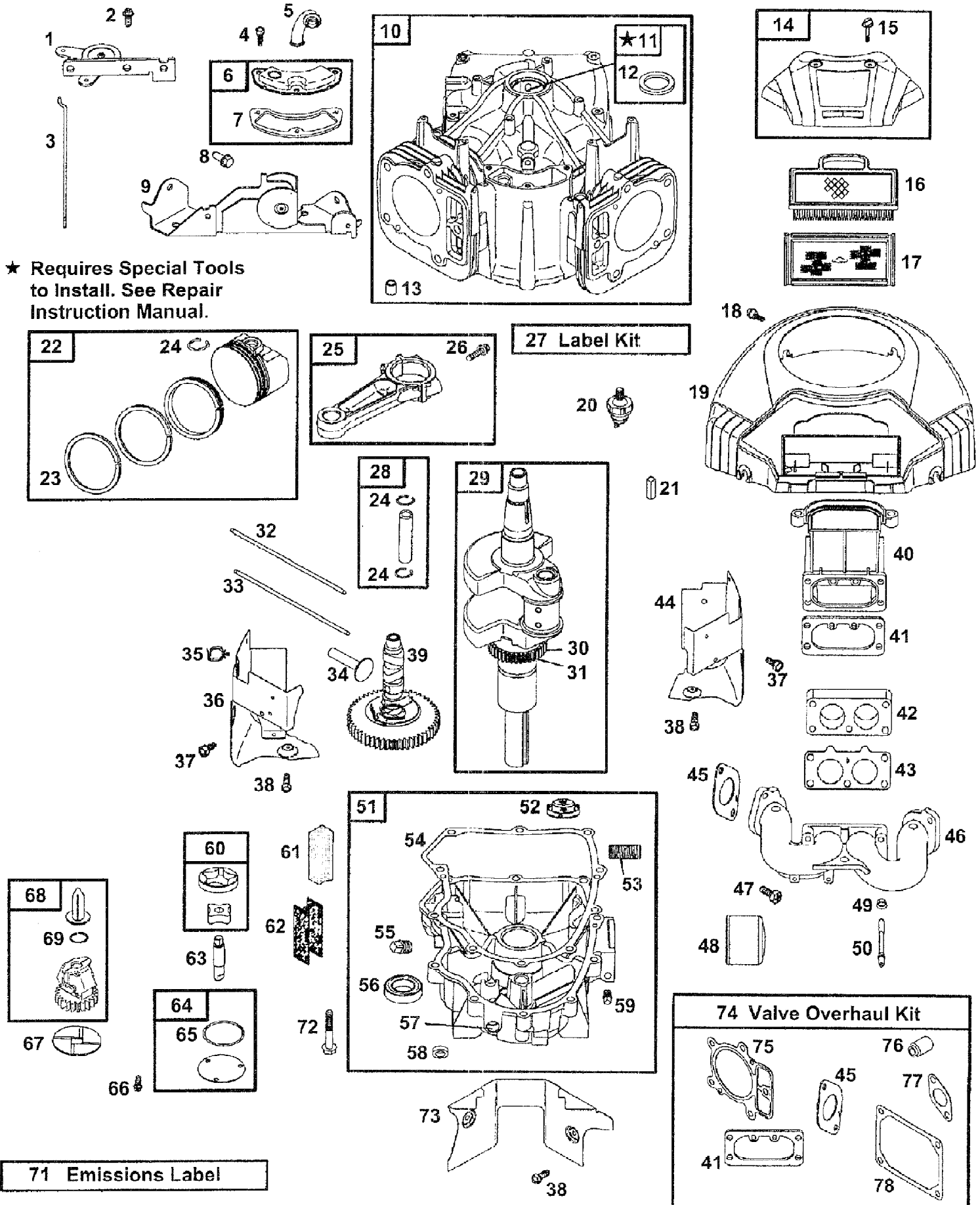
1212 S/N 1I010H-  
Drive System & Rear Wheels

Page 6 of 31

Ref #	Part Number	Qty	S/P/F	Description
54	732-0955	1		Extension Spring, .5 OD x 1.41
55	735-0662	1		Drive Pedal Pad
56	735-3049	1	S	Brake Pedal Pad
57	736-0140	1	S	Flat Washer, .281 x .5 x .0625
58	736-0142	1	S	Flat Washer, 9/32 x 1/2 x 1/16
59	736-0187	1	/P	Flat Washer, .64 x 1.24 x .06
60	736-0204	1	/P	Flat Washer, .344 x .062 x .03
61	738-0155	1	S	Shoulder Screw, .437 x 1.62
?62	738-0507B	1	S	Shoulder Screw, .5 x .434
63	741-0225	1	S	Hex Flange Bearing
64	741-3065A	1	S	Split Hex Flange Bearing
65	747-1137	1		Cruise Control Rod
66	747-1138	1		Brake Lock Control Rod
67	748-0413	1		Cruise Latch
68	748-0415A	1	S	Spacer, 5/16 x 1.54
69	710-0599	1	/P	Self Tapping Screw, 1/4-20 x.5
70	783-0732	1	S	Drive Lockout Bracket
71	783-0773	1		Brake Pedal
72	783-0780A	1	S	Neutral Return Bracket
73	783-0693	1		Axle Bracket
74	683-0304	1	S	Lower Frame Assembly
75	732-0963	1		Extension Spring, .5 OD x 6.37
76	731-2290	1	S	Hub Cap
77	712-3050	1	/P	Lug Nut, 7/16-14
78	634-0202	1		Wheel Assembly Complete, 23 x 9.5
	634-3178	1		Rim Only
	734-0255	1	S	Air Valve
	734-1728	1	/P	Tire Only, Square Shoulder
?79	750-0768	1		Split Spacer, .25 x .37 x 1.32
80	750-0566	1	S	Spacer, .372 x .26 x 1.03
81	712-3026	1	S	Jam Nut 3/4-16
82	736-0316	1	S	Flat Washer, .78 x 1.59 x .06
83	710-1260A	1	/P	Hex Screw, 5/16-18 x .75
84	747-1185	1		Transmission Belt Guard Rod

1212 S/N 11010H-  
Engine

Page 7 of 31



Assemblies Include All Parts Shown In Frames

1212 S/N 1I010H-  
Engine

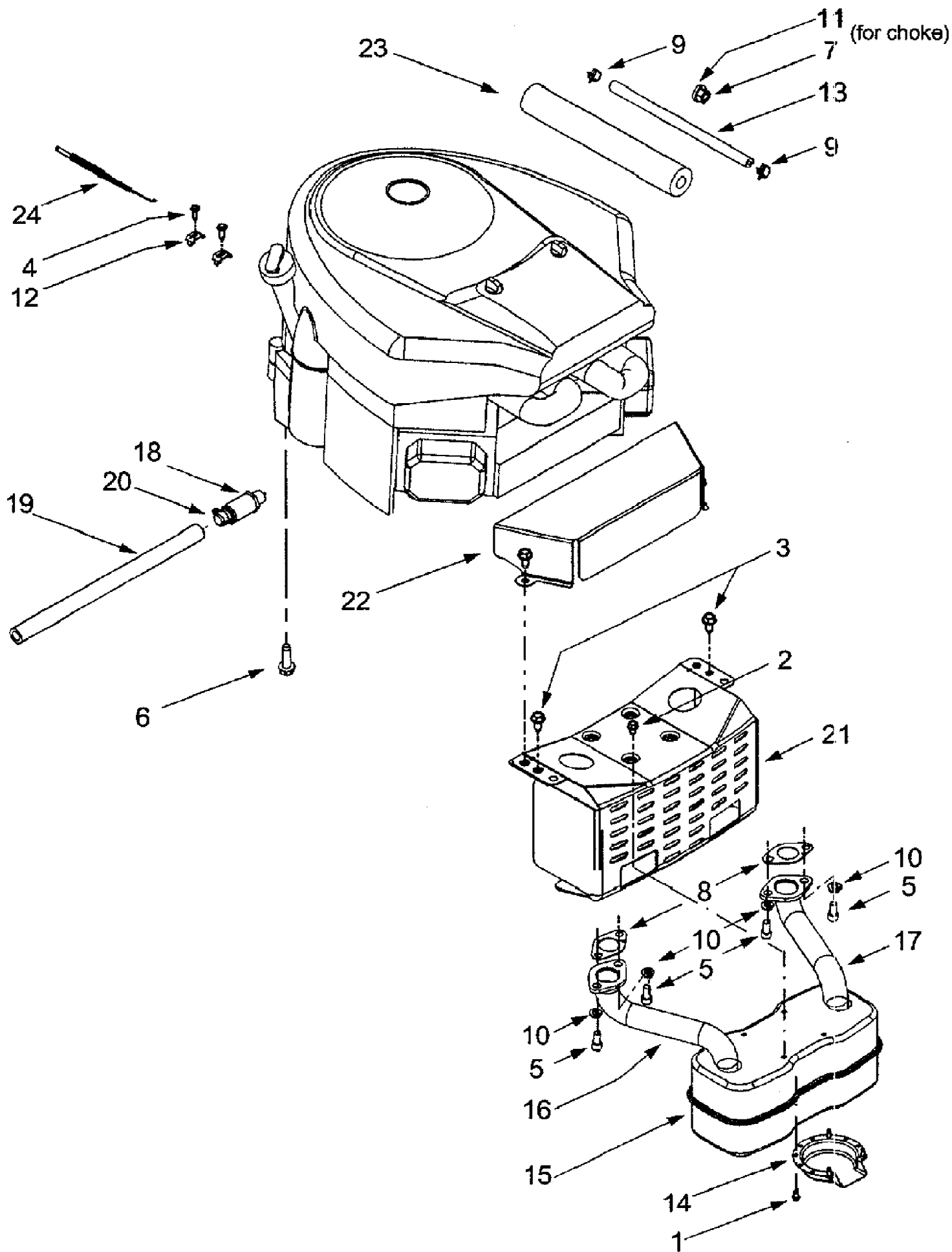
Page 8 of 31

Ref #	Part Number	Qty	S/P/F	Description
1	BS-691021	1		Choke Control Bracket
2	BS-94930	1	S	Screw (Choke Control Bracket)
3	BS-691022	1		Choke Link
4	BS-690960	1	S	Screw (Breather Assembly)
5	BS-690942	1	S	Breather Tube
6	BS-499601	1	S	Breather Assembly
7	BS-690937	1		Breather Gasket
8	BS-690960	1	S	Screw (Control Bracket)
9	BS-691023	1		Control Bracket
10	BS-690231	1		Cylinder Assembly
11	BS-499585	1	F	Bushing/Seal Kit (Magneto Side)
12	BS-391086	1	S	Oil Seal (Magneto Side)
13	BS-230192	1	S	Locating Pin
14	BS-499788	1	S	Air Cleaner Cover
15	BS-691008	1		Air Cleaner Knob
16	BS-499486S	1	/P	Air Cleaner Cartridge Filter
17	BS-273638S	1	/P	Pre-Cleaner Filter
18	BS-691005	1		Screw (Blower Housing)
19	BS-691004	1		Blower Housing
20	BS-491657	1	S	Oil Pressure Switch
21	BS-222698	1	S	Flywheel Key
22	BS-499588	1	S	Piston Assembly (Standard)
	BS-499589	1		Piston Assy. (.010 Oversize)
	BS-499590	1	S	Piston Assy. (.020 Oversize)
	BS-499591	1		Piston Assy. (.030 Oversize)
23	BS-499604	1		Ring Set (Standard)
	BS-499605	1		Ring Set (.010 Oversize)
	BS-499606	1		Ring Set (.020 Oversize)
	BS-499607	1		Ring Set (.030 Oversize)
24	BS-263181	1		Piston Pin Lock
25	BS-499583	1		Connecting Rod
26	BS-690976	1		Screw (Connecting Rod)
27	BS-690103	1		Label Kit
28	BS-690229	1		Piston Pin
29	BS-691046	1	S	Crankshaft
30	BS-94388	1	S	Timing Key
31	BS-690980	1		Timing Gear
32	BS-690981	1	/P	Rod-Push (Steel)
33	BS-690982	1	/P	Rod-Push (Aluminum)
34	BS-262679	1	S	Valve Tappet
35	BS-691010	1		Clip
36	BS-691012	1		Air Guide Cover (Cylinder #1)
37	BS-94930	1	S	Screw (Air Guide Cover)
38	BS-690960	1	S	Screw (Air Guide Cover)
39	BS-690978	1		Camshaft
40	BS-691011	1		Air Adapter
41	BS-691001	1		Air Cleaner Gasket
42	BS-690952	1		Carburetor Spacer
43	BS-690950	1		Intake Gasket
44	BS-691014	1		Air Guide Cover (Cylinder #2)
45	BS-690949	1		Intake Gasket
46	BS-693996	1		Intake Manifold
47	BS-94913	1	S	Screw (Intake Manifold)

1212 S/N 1I010H-  
Engine

Page 9 of 31

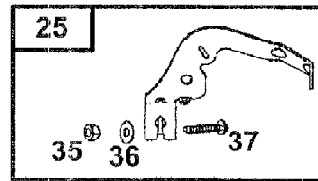
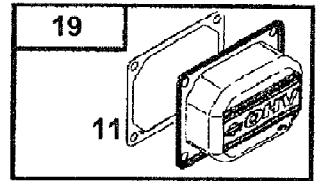
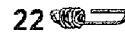
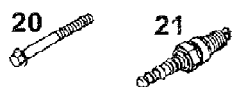
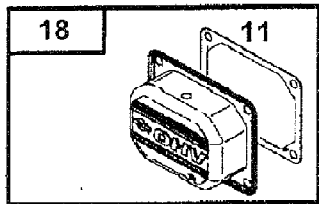
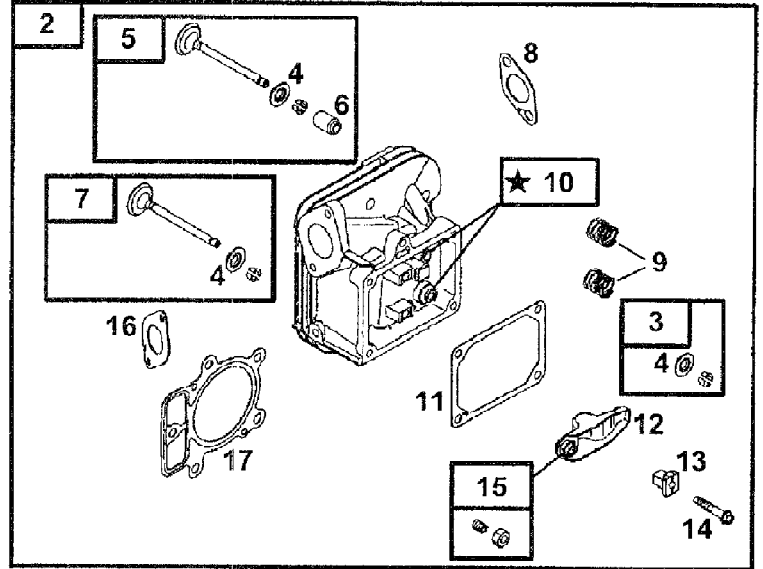
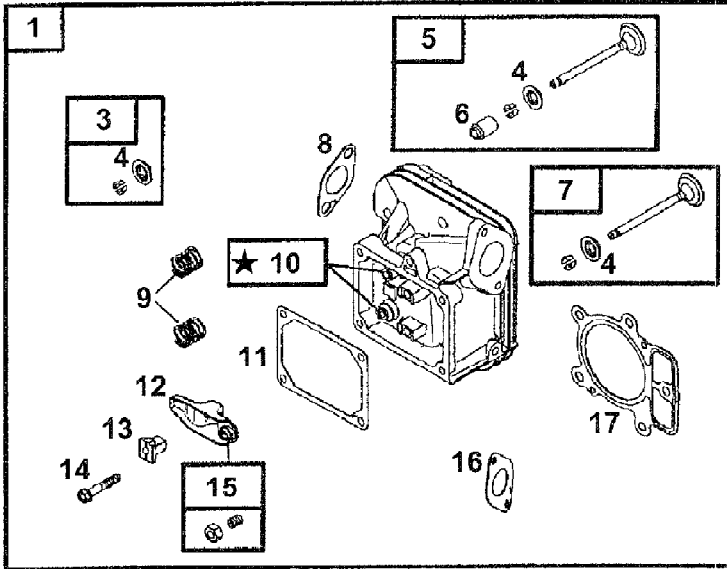
Ref #	Part Number	Qty	S/P/F	Description
48	BS-492932	1	S	Oil Filter
49	BS-94010	1	S	Nut (Carburetor)
50	BS-690951	1		Stud (Carburetor)
51	BS-690069	1		Engine Sump
52	BS-690770	1		Oil Pump Screen
53	BS-690954	1	/P	Oil Filter Nipple
54	BS-690945	1	S	Crankcase Gasket
55	BS-94239	1	S	Oil Drain Plug
56	BS-690947	1	S	Oil Seal (PTO Side)
57	BS-690552	1		Governor Crank Bushing
58	BS-690657	1		Governor Shaft Seal
59	BS-690283	1		Oil Plug
60	BS-499054	1	S	Oil Pump
61	BS-690956	1		Oil Collector
62	BS-690957	1		Breather Retainer
63	BS-691042	1		Pump Shaft
64	BS-499613	1		Oil Pump Cover
65	BS-690589	1	/P	O-Ring Seal (Oil Pump Cover)
66	BS-691033	1		Screw (Oil Pump Cover)
67	BS-690412	1	/P	Washer (Governor Gear)
68	BS-394348	1	S	Governor Gear
69	BS-690317	1	S	Governor Shaft Retainer
71	BS-695104	1		Emissions Label
72	BS-690308	1	S	Screw (Engine Sump)
73	BS-691015	1		Air Guide Cover
74	BS-499890	1	S	Valve Overhaul Kit
75	BS-690962	1	S	Cylinder Head Gasket
76	BS-690968	1	/P	Valve Seal
77	BS-690970	1	/P	Exhaust Gasket
78	BS-690971	1	/P	Rocker Cover Gasket
	BS-692714	1	S	Short Block



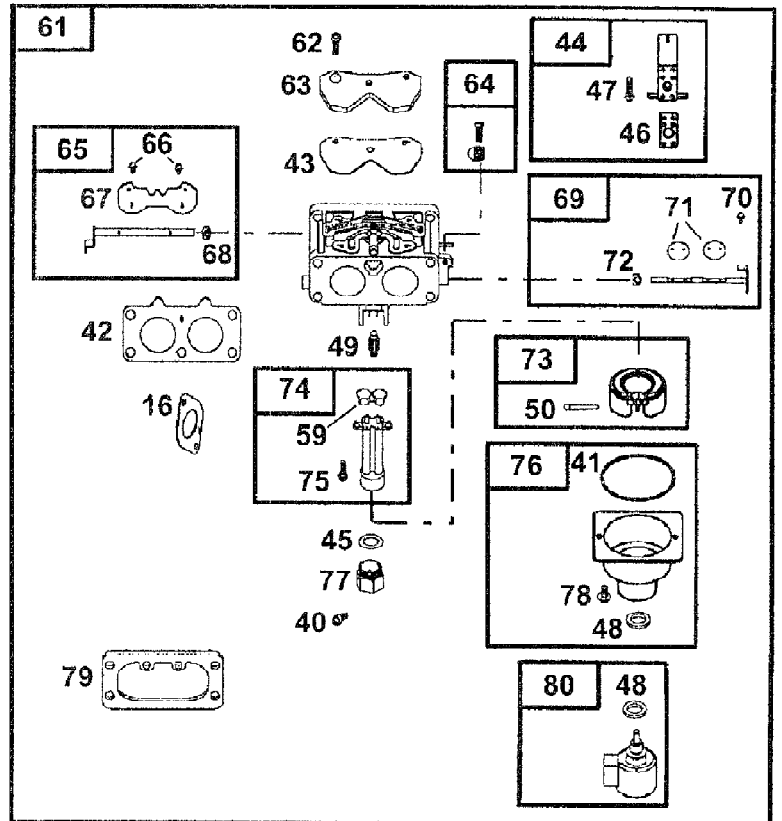
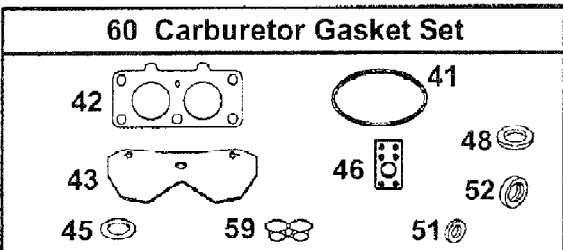
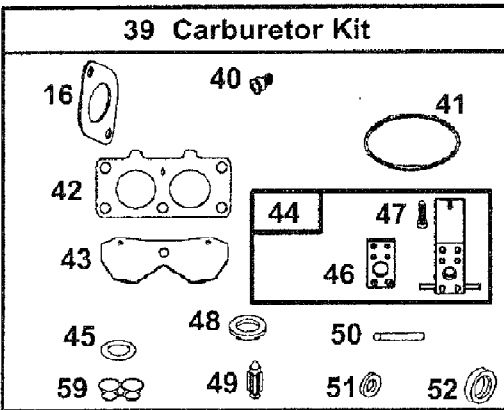
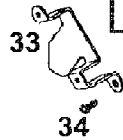
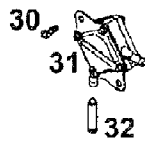
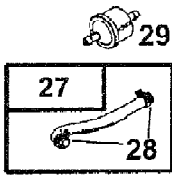
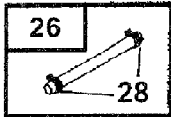
1212 S/N 1I010H-  
Engine Accessories

Page 11 of 31

Ref #	Part Number	Qty	S/P/F	Description
1	710-0227	1	/P	Self-tapping Screw, #8-18 x.5
2	710-0599	1	/P	Self-tapping Screw, 1/4-20 x .5
3	710-0604A	1	/P	Self-tapping Screw, 5/16-18 x .625
4	710-1237	1		Hex Screw, #10-32 x .625
5	710-1314	1	S	Socket Cap Screw, 5/16-18 x .625
6	710-1315	1	/P	Self-tapping Screw, 3/8-16 x 1.25
7	712-3017	1	S	Hex Nut, 3/8-16
8	721-0460	1		Exhaust Gasket
9	726-0205	1	/P	Hose Clamp
10	736-0119	1	S	Lock Washer, 5/16
11	736-0300	1	S	Flat Washer
12	751B221535	1	/P	Casing Clamp
13	751-0535	1		Fuel Line Hose
14	751-0564	1	S	Muffler Deflector
15	751-0616	1	S	Muffler, Twin Inlet
16	751-0650	1	S	RH Exhaust Pipe
17	751-0651	1	S	LH Exhaust Pipe
18	751-3140	1	S	Oil Drain Valve
19	751-3141	1	S	Oil Drain Hose
20	751-3142	1		Oil Drain Cap
21	783-0615B	1	S	Muffler Heat Shield
22	783-0625B	1	S	Engine Heat Shield
23	722-0263	1	S	Foam (Fits over fuel line)
24	746-1086	1	S	Throttle Cable



★ Requires Special Tools to Install. See Repair Instruction Manual.



Assemblies Include All Parts Shown In Frames

1212 S/N 1I010H-  
General Assembly

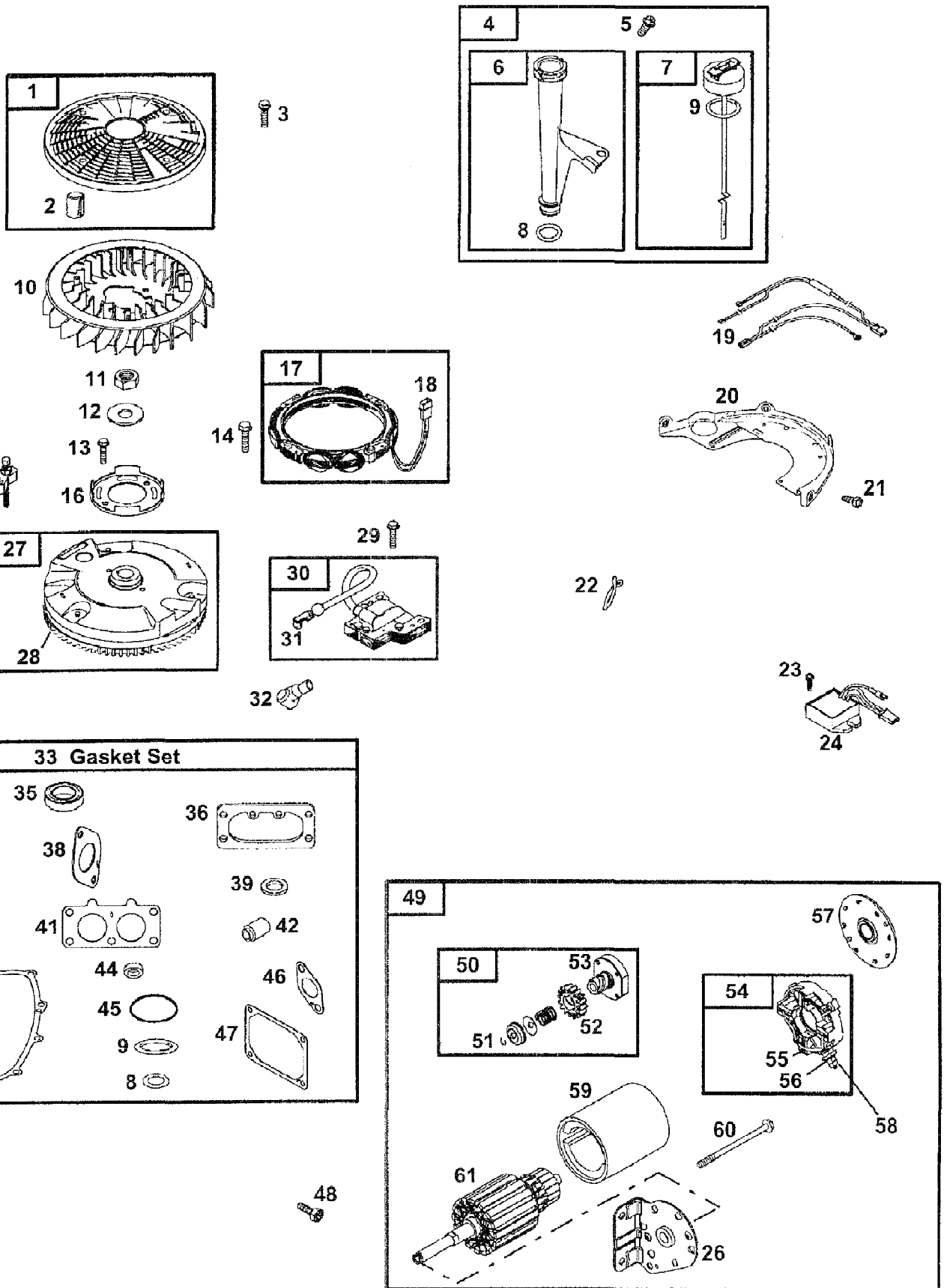
Page 13 of 31

Ref #	Part Number	Qty	S/P/F	Description
1	BS-499587	1		Cylinder Head (Cylinder #1)
2	BS-499595	1	S	Cylinder Head (Cylinder #2)
3	BS-499586	1	/P	Valve Keeper
4	BS-690964	1	S	Valve Retainer
5	BS-499597	1	S	Intake Valve
6	BS-690968	1	/P	Valve Seal
7	BS-499596	1		Exhaust Valve
8	BS-690970	1	/P	Exhaust Gasket
9	BS-690963	1		Valve Spring
10	BS-262835	1	F	Guide Bushing
11	BS-690971	1	/P	Rocker Cover Gasket
12	BS-690972	1		Rocker Arm
13	BS-806038	1	S	Rocker Arm Pivot
14	BS-690967	1		Screw (Rocker Arm)
15	BS-690083	1		Rocker Arm Adjuster
16	BS-690949	1		Intake Gasket
17	BS-690962	1	S	Cylinder Head Gasket
18	BS-499599	1		Cover-Rocker (Cylinder #11)
19	BS-499600	1		Cover-Rocker (Cylinder #2)
20	BS-690360	1	/P	Screw (Cylinder Head)
21	759-3336	1	/P	Sparkplug
22	BS-691019	1		Governed Idle Spring
23	BS-691018	1		Governor Spring
24	BS-690960	1	S	Screw (Rocker Cover)
25	BS-691048	1	S	Governor Control Lever
26	BS-298049	1	S	Fuel Line (Cut to Required Length)
27	BS-691049	1		Fuel Line (Molded)
28	BS-95162	1	S	Hose Clamp
29	BS-493629	1	S	Fuel Filter
30	BS-690960	1	S	Screw (Fuel Pump)
31	BS-691034	1	S	Fuel Pump
32	BS-691040	1	S	Vacuum Hose
33	BS-691039	1		Fuel Pump Bracket
34	BS-690960	1	S	Screw (Fuel Pump Bracket)
35	BS-92278	1	S	Nut (Governor Control Lever)
36	BS-94942	1		Washer (Governor Control Lever)
37	BS-93853	1		Bolt (Governor Control Lever)
38	BS-691020	1		Throttle Link
39	BS-499811	1	S	Carburetor Kit
40	BS-690232	1		Main Jet
	BS-690989	1		Main Jet (High Altitude)
41	BS-690994	1		Float Bowl Gasket
42	BS-690950	1		Intake Gasket
43	BS-690234	1		Carburetor Cover Plate Gasket
44	BS-499808	1		Carburetor Nozzle
45	BS-499599	1		Cover-Rocker (Cylinder #1)
46	BS-690995	1		Nozzle Gasket
47	BS-690990	1		Screw (Carburetor Nozzle)
48	BS-690997	1		Sealing Washer
49	BS-690985	1	S	Float Needle Valve
50	BS-690984	1		Float Hinge Pin
51	BS-690998	1		Choke Shaft Seal
52	BS-691000	1		Throttle Shaft Seal

1212 S/N 1I010H-  
General Assembly

Page 14 of 31

Ref #	Part Number	Qty	S/P/F	Description
53	BS-691045	1		Governor Crank
54	BS-690552	1		Governor Crank Bushing
55	BS-690553	1		Governor Crank Bushing
56	BS-690328	1	/P	E-Ring Retainer
57	BS-690442	1		Washer (Governor Crank)
58	BS-690657	1		Governor Shaft Seal
59	BS-690988	1		O-Ring Seal (Fuel Transfer Tube)
60	BS-499812	1	S	Carburetor Gasket Set
61	BS-499804	1	S	Carburetor
62	BS-690990	1		Screw (Cover Plate)
63	BS-690999	1		Cover Plate
64	BS-499802	1		Idle Speed Kit
65	BS-499807	1		Choke Shaft Kit
66	BS-805538	1		Screw (Choke Shaft)
67	BS-690986	1		Choke Valve
68	BS-690998	1		Choke Shaft Seal
69	BS-499805	1		Throttle Shaft Kit
70	BS-805538	1		Screw (Throttle Valve)
71	BS-690993	1		Throttle Valve
72	BS-691000	1		Throttle Shaft Seal
73	BS-499806	1		Carburetor Float
74	BS-499803	1		Fuel Transfer Tube
75	BS-690991	1		Screw (Fuel Transfer Tube)
76	BS-499810	1		Float Bowl
77	BS-690996	1		Solenoid Retainer
78	BS-690992	1		Screw (Float Bowl)
79	BS-691001	1		Air Cleaner Gasket
80	BS-499809	1		Fuel Solenoid



Assemblies Include All Parts Shown In Frames

1212 S/N 1I010H-  
General Breakdown

Page 16 of 31

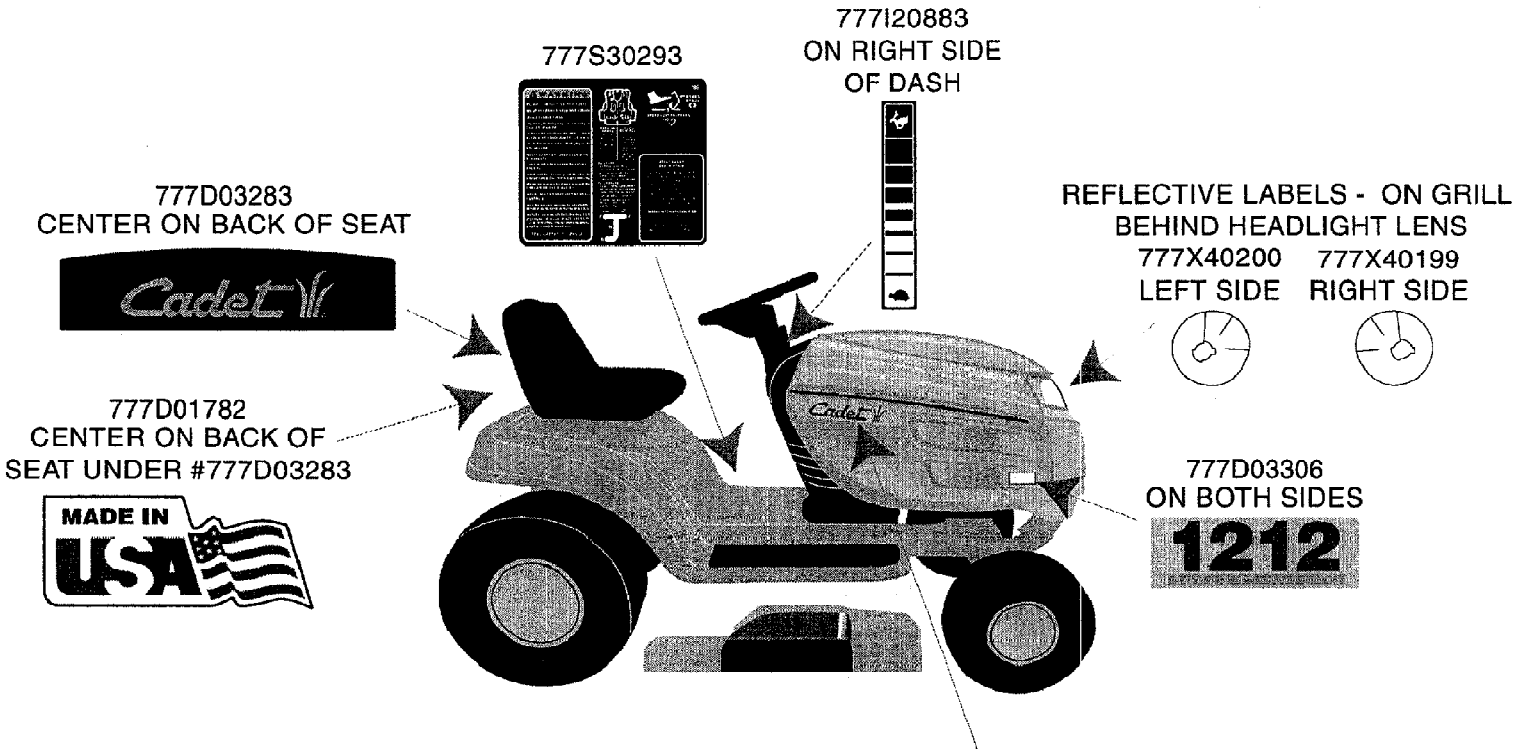
Ref #	Part Number	Qty	S/P/F	Description
1	BS-691055	1	S	Rotating Screen
2	BS-691215	1		Spacer
3	BS-691057	1		Screw (Rotating Screen)
4	BS-499602	1		Dipstick/Tube Assembly
5	BS-690960	1	S	Screw (Dipstick Tube)
6	BS-691037	1		Dipstick Tube
7	BS-691036	1		Dipstick
8	BS-691032	1		Dipstick Tube Seal
9	BS-499602	1		Dipstick/Tube Seal
10	BS-691243	1		Flywheel Fan
11	BS-691059	1		Nut (Flywheel)
12	BS-691056	1		Washer (Flywheel)
13	BS-94627	1		Screw (Fan-Retainer)
14	BS-93621	1	/P	Screw (Alternator)
15	BS-19203	1		Flywheel Puller
16	BS-691247	1		Fan Retainer
17	BS-393295	1	S	Alternator (Dual Circuit)
18	BS-393456	1		Alternator Connector/Wire
19	BS-691220	1		Wiring Harness
20	BS-691009	1		Back Plate
21	BS-690960	1	S	Screw (Back Plate)
22	BS-694123	1		Wire Clip
23	BS-690960	1	S	Screw (Regulator)
24	BS-394890	1	S	Regulator (Regulated-16 Amp)
26	BS-691283	1		Drive Cap
27	BS-691053	1		Flywheel
28	BS-499612	1		Gear-Ring
29	BS-94731	1		Screw (Magneto Armature)
30	BS-691060	1	/P	Magneto Armature
31	BS-493880	1	S	Sparkplug Terminal
32	BS-66538	1	S	Sparkplug Boot
33	BS-499889	1	S	Engine Gasket Set
34	BS-391086	1	S	Oil Seal (Magneto Side)
35	BS-690947	1	S	Oil Seal (PTO Side)
36	BS-691001	1		Air Cleaner Gasket
37	BS-690962	1	S	Cylinder Head Gasket
38	BS-690949	1		Intake Gasket
39	BS-690997	1		Sealing Washer
40	BS-690937	1		Breather Gasket
41	BS-690950	1		Intake Gasket
42	BS-690968	1	/P	Valve Seal
43	BS-690945	1	S	Crankcase Gasket
44	BS-690657	1		Governor Shaft Seal
45	BS-690589	1	/P	O-Ring Seal (Oil Pump Cover)
46	BS-690970	1	/P	Exhaust Gasket
47	BS-690971	1	/P	Rocker Cover Gasket
48	BS-94951	1	S	Screw (Drive Cap)
49	BS-691262	1	S	Starter Motor
50	BS-497606	1	S	Starter Drive
51	BS-263080	1	S	Retaining Ring
52	BS-693058	1	S	Pinion Gear
53	BS-398003	1	S	Drive Clutch
54	BS-497605	1	S	Brush Retainer

1212 S/N 1I010H-  
General Breakdown

Page 17 of 31

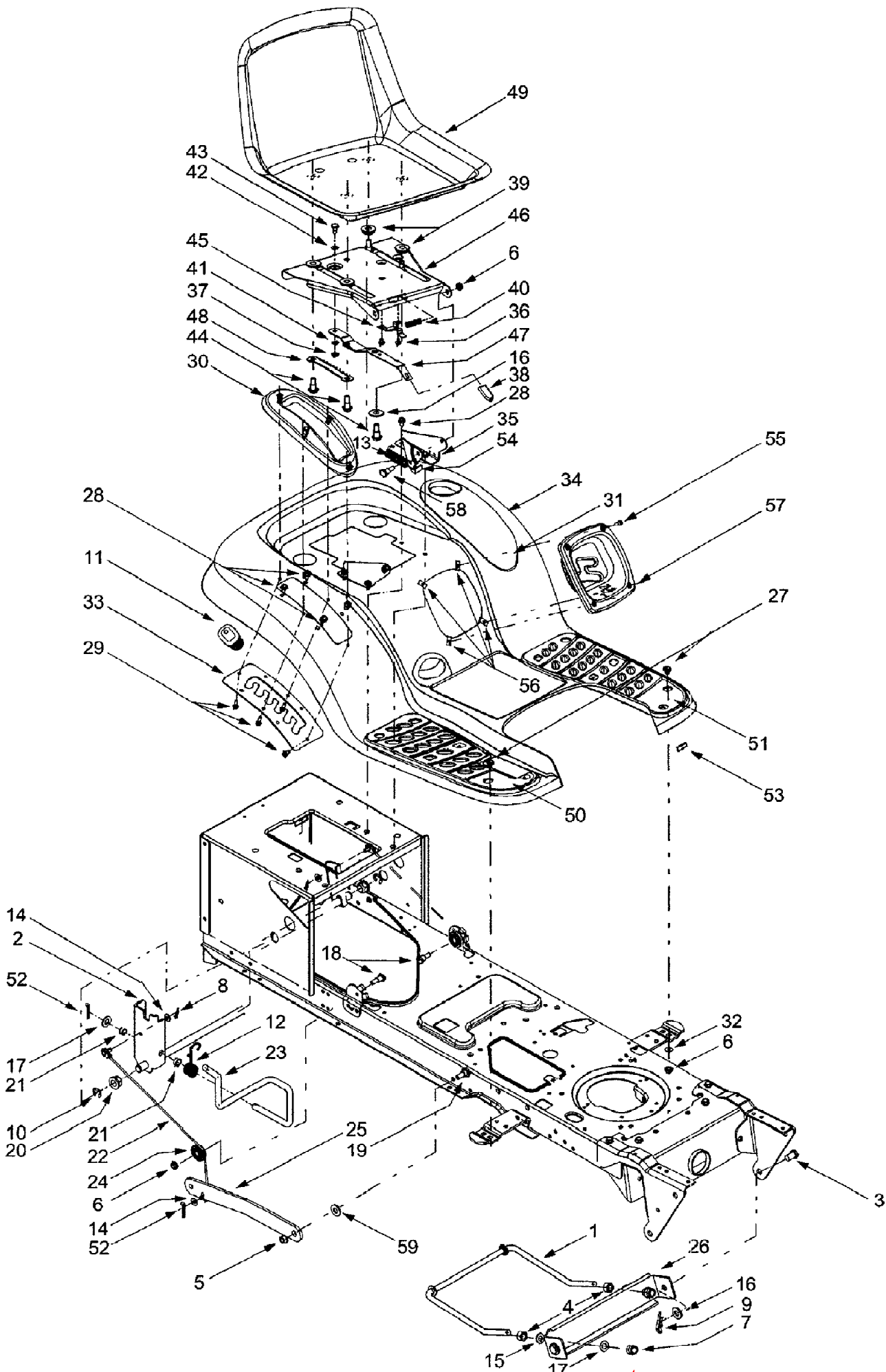
Ref #	Part Number	Qty	S/P/F	Description
55	BS-497608	1	/P	Brush Set
56	BS-693167	1		Nut (Brush Retainer)
57	BS-497607	1	S	End Cap
58	BS-92278	1	S	Nut (Brush Retainer)
59	BS-691262	1	S	Housing-Starter
60	BS-95035	1		Bolt (Starter Motor)
61		1		Armature (Serviced By Starter Only)

1212 S/N 1I010H-  
Labels



1212 S/N 1I010H-  
Labels

Ref #	Part Number	Qty	S/P/F	Description
777D01782	777D01782	1	/P	LABEL-MADE IN USA
777D03283	777D03283	1		LABEL-REFLECTIVE
777S30293	777S30293	1		LABEL-FLOORBOARD WAR
777I20883	777I20883	1		LABEL-THROTTLE
777X40200	777X40200	1		LABEL-LH LIGHT RFLCT
777X40199	777X40199	1		LABEL-RH LIGHT RFLCT
777D03306	777D03306	1		LABEL-SD PNL 1212
777D03280	777D03280	1		LABEL-RH SIDE PANEL
777D03281	777D03281	1		LABEL-LH SIDE PANEL
777D04790	777D04790	1		LABEL-REAR FENDER
777D04794	777D04794	1		LABEL-21HP IND PLU



1212 S/N 1I010H-  
Lift Assembly / Seat / Fender

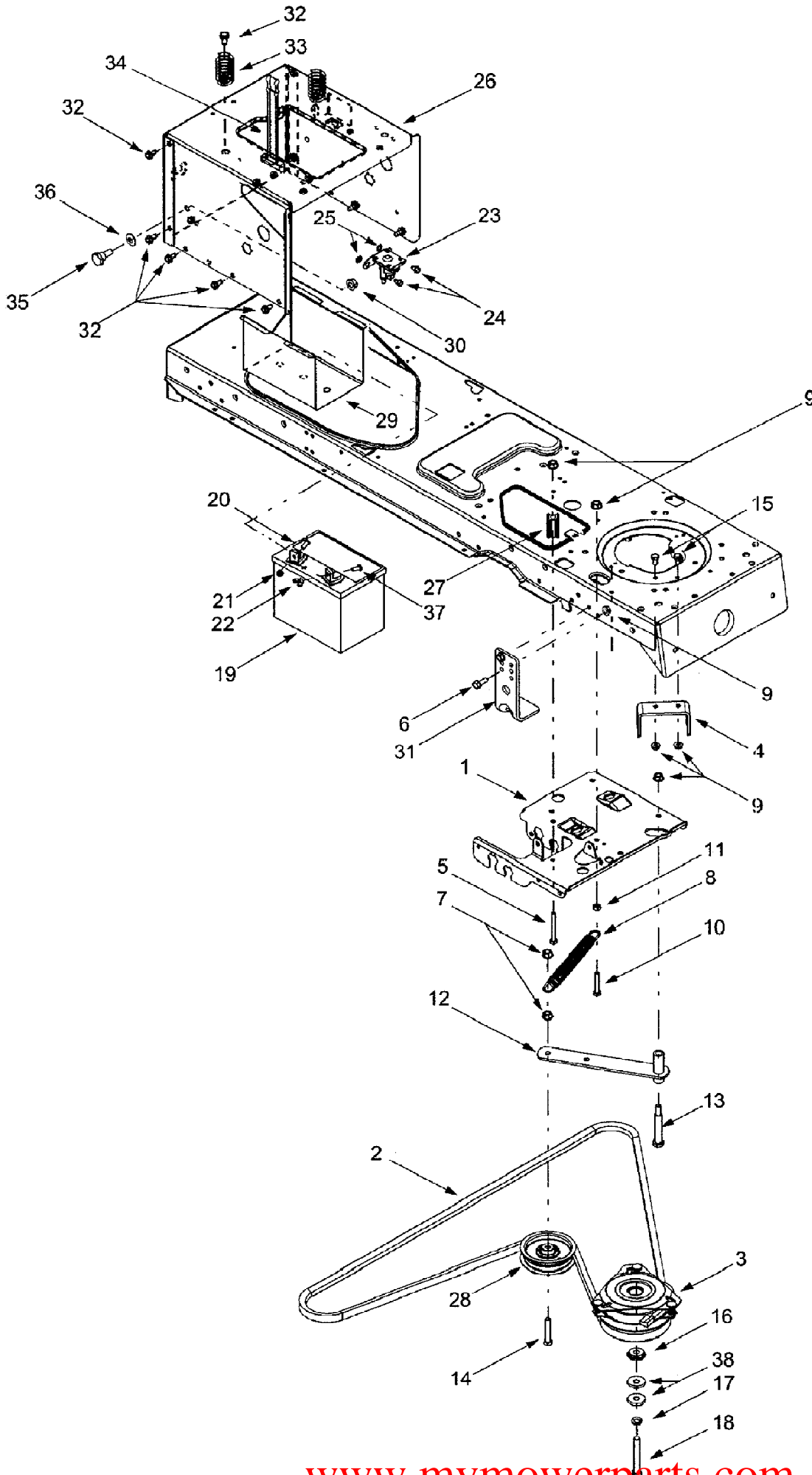
Page 21 of 31

Ref #	Part Number	Qty	S/P/F	Description
1	747-1130A	1	S	Deck Stabilizer Rod
2	683-0197	1	S	Lift Shaft Assembly
3	711-0332	1	S	Clevis Pin, .5 x .78
4	712-0206	1	S	Hex Nut, 1/2-13
5	712-0431	1	S	Flange Lock Nut, 3/8-16
6	712-3004A	1	/P	Flange Lock Nut, 5/16-18
7	712-3083	1	/P	Hex Nut, 1/2-13
8	714-0104	1	S	Internal Cotter Pin
9	714-0145	1	S	Internal Cotter Pin
10	716-0106	1	/P	E-ring
11	720-0311	1		Handle Grip
12	732-0874	1	/P	Torsion Spring
13	732-1027	1		Extension Spring, .872 x 3.4
14	736-0275	1	S	Flat Washer, 5/16
15	736-0921	1	S	Lock Washer, 1/2
16	736-3019	1		Flat Washer, .31 x 1.062 x .134
17	736-3084	1	/P	Flat Washer, .51 x 1.12 x .06
18	738-0138A	1	/P	Hex Cap Screw, 5/16-18 x .62
19	738-0143	1	/P	Shoulder Screw, 3/8-16
20	741-0225	1	S	Hex Flange Bearing
21	741-0715	1	S	Snap Flange Bearing
22	746-0968	1		Lift Cable, 16.16
23	747-1111	1	S	Lift Handle
24	756-1154	1		Roller Pulley
25	783-0678A	1	S	Arm Lift
26	783-0720A	1	S	Deck Stabilizer Bracket
27	710-0260A	1	/P	Carriage Bolt, 5/16 x .62
28	710-0604A	1	/P	Self-tapping Screw, 5/16-18 x .625
29	710-0895	1		Self-tapping Screw, 1/4-15 x .75
30	731-1990	1		Lift Lever Cover
31	731-1993	1		Cover w/ Cup Holder
32	736-3078	1	/P	Flat Washer, .349 x 1.0 x .063
33	783-0677	1	S	Lift Adjustment Bracket
34	783-0763B	1		Fender
35	783-0715A	1	S	Seat Mounting Bracket
36	710-1268	1	/P	Screw, #10-16 x .375
37	712-3027	1	S	Hex Flange Lock Nut, 1/4-20
38	720-0309A	1	/P	Seat Adjuster Grip
39	731-1989	1		Spacer
40	732-0499	1		Compression Spring, .41 x 1.5
41	736-0175	1	S	Spring Washer, .265 x .562 x .025
42	736-0204	1	/P	Flat Washer, .344 x .62 x .03
43	738-0137A	1	S	Shoulder Screw, .340 x .285, 1/4-20
44	738-1007	1		Shoulder Screw, .50 x .50, 3/8-16
45	783-0611	1		Seat Stop
46	783-0738	1	S	Seat Pivot Bracket
47	783-0739	1		Seat Adjustment Lever
48	783-0753	1		Seat Adjustment Selector
49	757-0380	1	S	Medium Back Seat, Black
50	735-0656	1		RH Foot Pad
51	735-0657	1		LH Foot Pad
	726-3046	1	/P	Foot Pad Clips
52	714-0111	1	S	Cotter Pin

1212 S/N 1I010H-  
Lift Assembly / Seat / Fender

Ref #	Part Number	Qty	S/P/F	Description
53	731-0511	1	/P	Trim Strip
54	783-0209	1	S	LH Seat Lift Bracket
	17239A	1	S	RH Seat Lift Bracket
55	710-0924	1	/P	Phillips Pan Screw, 1/4-20 x .75
56	712-0292	1	/P	U-type Speed Nut, 1/4-20
57	731-2480	1	S	Shift Lever Cover
58	738-0296	1	S	Shoulder Screw, .437 x .286
59	736-0160	1	S	Flat Washer, .53 x .93 x .05

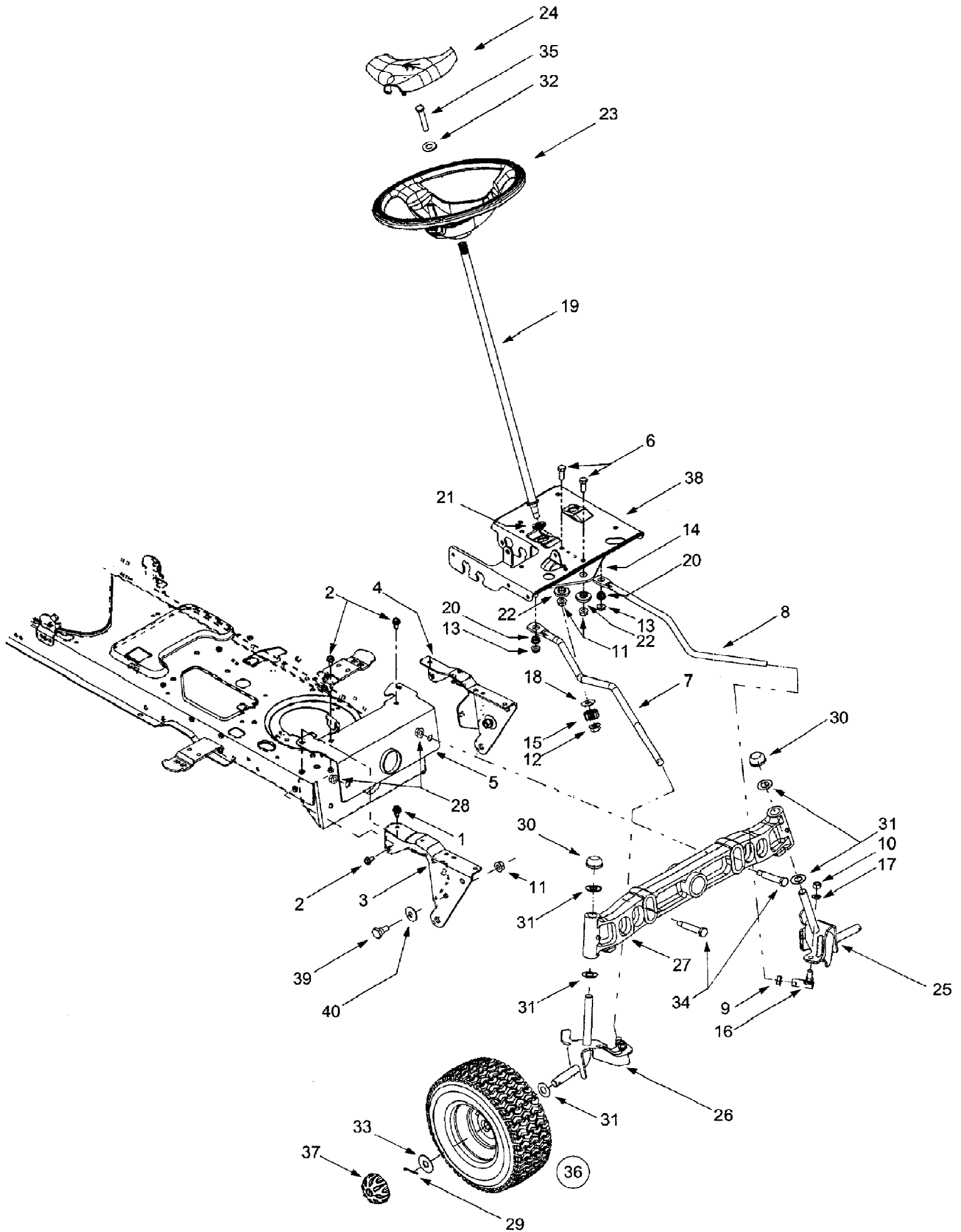
1212 S/N 11010H-  
PTO & Battery



1212 S/N 1I010H-  
PTO & Battery

Page 24 of 31

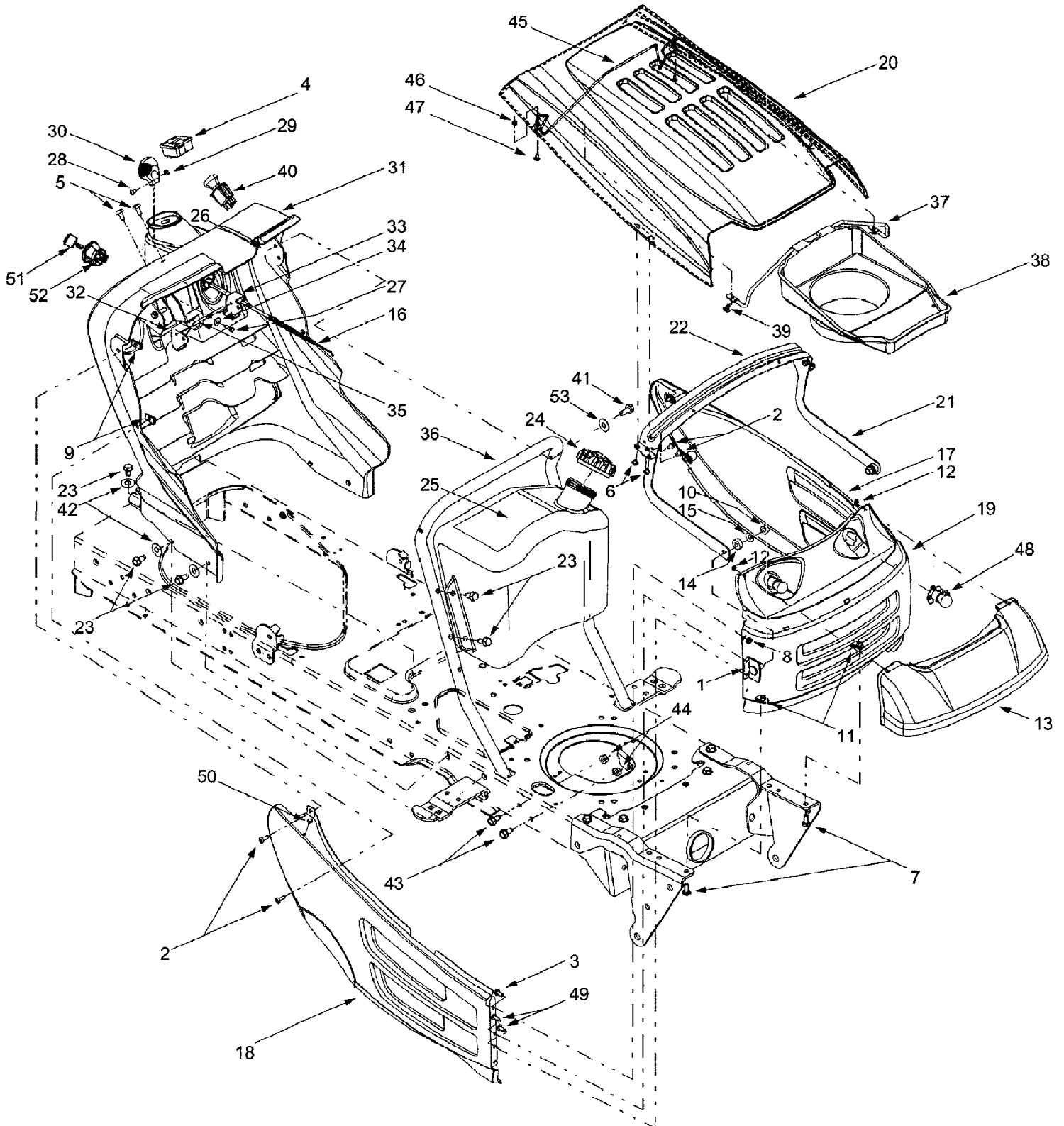
Ref #	Part Number	Qty	S/P/F	Description
1	783-0653D	1	S	Steering Support Bracket
2	754-0476	1	S	PTO Belt
3	717-1709	1	S	Electric PTO Clutch
4	783-1003	1	S	Electric Clutch Anti-rotation Bracket
5	710-0859	1	/P	Hex Cap Screw, 3/8-16 x 2.5
6	710-1238	1	/P	Hex Head Washer Screw, 5/16-18 x .875
7	712-0431	1	S	Flange Lock Nut, 3/8-16
8	732-0978	1		Extension Spring, .62 x 5.62
9	712-3004A	1	/P	Flange Lock Nut, 5/16-18
10	710-3180	1	/P	Hex Cap Screw, 5/16-18 x 1.75
11	712-3010	1	S	Hex Nut, 5/16-18
12	683-0294	1	S	Idler Bracket Assembly
13	738-3056	1	S	Shoulder Screw, 1/2 x 2.5
14	710-3144	1	/P	Hex Cap Screw, 3/8-16 x 2.0
15	710-3025	1	/P	Hex Cap Screw, 5/16-18 x .625
16	738-0785	1	S	Shoulder Spacer, 1.38 x .445 x .36
17	736-0171	1	S	Lock Washer, 7/16
18	710-3157	1	S	Hex Cap Screw, 7/16-20 x 3.25 (Grade 5)
19	725-1706	1	S	12-volt Battery, 270 CCA
20	710-0751	1	/P	Hex Cap Screw, 1/4-20 x .62
21	712-0271	1	/P	Hex Sems Nut, 1/4-20
22	712-3087	1	/P	Wing Nut, 1/4-20
23	725-1426	1	S	Solenoid, 12-Volt, 100 Amp
24	710-0599	1	/P	Self Tapping Screw, 1/4-20 x .5
25	736-0222	1	S	Lock Washer, 1/4
26	783-1033A	1	/P	Hitch Plate
27	748-0415A	1	S	Spacer, 3/8 x 1.54
28	756-0627B	1	S	Idler Pulley, 3.5
29	783-0349	1		Battery Tray
30	712-0459	1	/P	Flange Lock Nut, 7/16-20
31	783-0891B	1		Deck Stop
32	710-0604A	1	/P	Self Tapping Screw, 5/16-18 x .625
33	732-3080	1	S	Compression Spring, 1.28 x 3.5
34	723-0444	1		Battery Strap
35	738-1020	1		Shoulder Screw, .625 x .5, 7/16-20
36	736-0407	1		Bell Washer, .45 x 1.0 x .062
37	738-1132	1		Shoulder Screw, 1/4-20, .25 x .15
38	736-0322	1	/P	Flat Washer, .45 x 1.25 x .164



1212 S/N 11010H-  
Steering Assembly & Lower Frame

Page 26 of 31

Ref #	Part Number	Qty	S/P/F	Description
1	710-1260A	1	/P	Self-tapping Screw, 5/16-18 x .75
2	710-0604A	1	/P	Self-tapping Screw, 16-18 x .625
3	683-0589	1		LH Pivot Support Bracket
4	683-0590	1	S	RH Pivot Support Bracket
5	783-0728	1		Pivot Bar Bracket
6	710-0514	1	/P	Hex Cap Screw, 3/8-16 x 1 (Grade 5)
7	711-1408	1		RH Drag Link
8	711-1409A	1	/P	LH Drag Link
9	712-0240	1	S	Jam Nut, 7/16-20 (Grade 2)
10	712-0241	1	/P	Hex Nut, 3/8-24 (Grade 2)
11	712-0431	1	S	Flange Lock Nut, 3/8-16
12	712-0459	1	/P	Flange Lock Nut, 7/16-20
13	712-3004A	1	/P	Flange Lock Nut, 5/16-18
14	717-1550D	1	S	Steering Gear, 11/90 Ratio
15	717-1554	1		Steering Pinion Gear
16	723-0448A	1	S	Ball Joint, 7/16-20
17	736-0169	1	S	Lock Washer, 3/8
18	736-3084	1	/P	Flat Washer, .51 x 1.12 x .06
19	738-1001A	1	/P	Steering Shaft, .625 OD x 24.4
20	741-0475	1	S	Plastic Bushing, .38 ID
21	741-0656	1	S	Hex Flange Bearing, 5/8
22	738-0372	1	S	Shoulder Spacer, .38 ID
23	731-2295	1	S	Soft Touch Steering Wheel
24	731-2296	1		Steering Wheel Cap
25	638-0017	1	S	LH Axle Assembly, .75 Diameter
26	638-0018	1	S	RH Axle Assembly, .75 Diameter
27	719-0525B	1	S	Cast Iron Pivot Bar w/ Fittings, .750
28	712-0431	1	S	Flange Lock Nut, 3/8-16
29	714-0470	1	S	Cotter Pin
30	726-0341	1	/P	Push Cap, .75
31	736-0316	1	S	Flat Washer, .78 x 1.59 x .06
32	736-0242	1	/P	Bell Washer, .34 x .872
33	736-0285	1	/P	Flat Washer, .635 x 1.589 x .06
34	738-1011	1	S	Shoulder Screw, .5 x 2.2, 3/8-16
35	710-0643	1	/P	Hex Bolt, 5/16-18 X 1
36	634-0085	1		Wheel Assembly Complete, 16 x 6.
36	634-0071	1		Rim Only w/ Ball Bearing
36	734-0255	1	S	Air Valve Not Shown
36	734-1727	1	/P	Tire Only, Square Shoulder
37	731-2290A	1	/P	Hub Cap
38	783-0653D	1	S	Steering Support Bracket
39	738-0143	1	/P	Shoulder Screw, 3/8-16
40	736-0331	1	/P	Bell Washer, .39 x 1.13 x .062



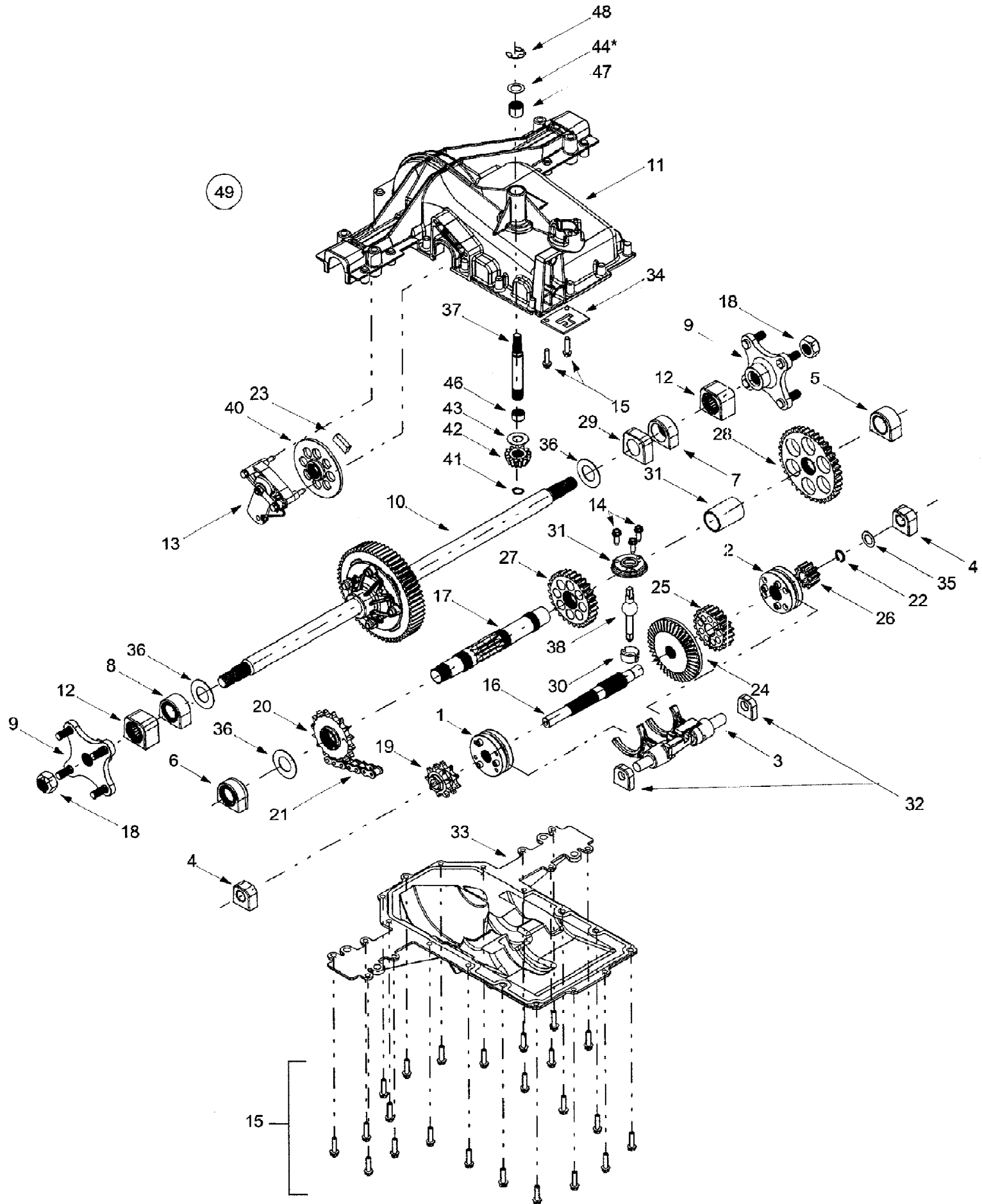
1212 S/N 1I010H-  
Tractor Body / Fuel Tank / Hood / Electrical

Page 28 of 31

Ref #	Part Number	Qty	S/P/F	Description
1	683-0195	1		Bracket Assembly (8-style)
2	710-0599	1	/P	Self-tapping Screw, 1/4-20 x .5
3	710-0751	1	/P	Hex Cap Screw, 1/4-20 x .62
4	725-1976	1	S	Systems Indicator Monitor
5	710-1017	1	/P	Truss Phillips Screw, 1/4-20 x .625
6	710-0351	1	/P	Screw, #10-16 x.5
7	710-0376	1	/P	Hex Cap Screw, 5/16-18 x 1.0
8	712-0271	1	/P	Hex Sems Nut, 1/4-20
9	712-0292	1	/P	U-type Speed Nut, 1/4-20
10	712-0431	1	S	Flange Lock Nut, 3/8-16
11	726-0211	1	S	U-nut, 5/16-18
12	726-0293	1		Retainer Nut, 3/8
13	731-1854A	1	S	Headlight Lens (8-style)
14	735-0126	1	S	Rubber Washer, .87 x .33
15	736-0105	1	/P	Bell Washer, .401 x .87 x .063
16	746-1085	1	S	Choke Knob/Cable
17	783-0475A	1	/P	LH Side Panel (8-style)
18	783-0476B	1		RH Side Panel (8-style)
19	783-0477A	1	/P	Grill (8-style)
20	783-0478A	1	S	Hood (8-style)
21	783-1309	1	S	Hood Hinge Bracket
22	783-0553A	1	S	Hood Support Bracket
23	710-0604A	1	/P	Self-tapping Screw, 5/16-18 x .625
24	751-0603	1	S	Fuel Cap
25	751-0658B	1		Fuel Tank
26	710-0809	1		Self-tapping Screw, 1/4-20 x 1.25
27	710-0895	1		Self-tapping Screw, 1/4-15 x .75
28	710-3217	1	/P	Truss Phillips Screw, #8-32 x .375
29	712-0142	1	/P	Hex Nut, #8-32
30	731-1857	1		Throttle Control Knob
31	731-2225	1	S	Dash Panel, 8-style
32	731-2226	1		Cruise Control Button
33	731-2227	1		Parking Brake Button
34	736-0142	1	S	Flat Washer, 9/32 x 1/2 x 1/16
35	747-1196	1		Brake/Cruise Pivot Rod
36	749-1087A	1	S	Dash Support Tube
37	747-1184	1		Heat Shield Support Rod
38	731-2247A	1	/P	Heat Shield
39	726-3046	1	/P	Ratchet Clip
40	725-1752	1	S	Electric PTO Switch
41	710-0642	1	/P	Self-tapping Screw, 1/4-20 x .75
42	736-3078	1	/P	Flat Washer, .349 x 1.0 x .063
43	710-1238	1	/P	Screw, 5/16-18 x .875 (Grade 5)
44	712-3004A	1	/P	Hex Nut, 5/16-18
45	747-1215A	1		Hood Latch (8-style)
46	712-0272	1	/P	Hex Sems Nut, #10-32
47	710-0473	1	/P	Machine Screw, #10-24
48	625-0051	1	S	Headlight Assembly
49	710-0896	1	/P	Hex Index Washer Screw, 1/4-14 x .0625
50	735-0199A	1	S	Rubber Bumper
51	725-1745	1	S	Ignition Key w/ plastic cover
	725-1744	1	S	Ignition Key w/o plastic cover
52	725-1741	1	S	Ignition Switch

1212 S/N 1I010H-  
Tractor Body / Fuel Tank / Hood / Electrical

Ref #	Part Number	Qty	S/P/F	Description
53	736-0270	1	/P	Bell Washer, .265 x .75 x .062
	629-0469A	1	S	Headlight Wire Harness (Not Shown)
	629-1067	1		Tractor Wire Harness (Not Shown)



1212 S/N 1I010H-  
Two Speed Transmission

Page 31 of 31

Ref #	Part Number	Qty	S/P/F	Description
1	618-0225	1		Reverse Collar Assembly
2	618-0226	1		Hi-Lo Collar Assembly
3	618-0227A	1		Shift Fork Assembly
4	618-0284	1		Detent Block Assembly
5	618-0285	1		Output Bearing Block Assembly
6	618-0286	1		Output Seal Bearing Block Assembly
7	618-0287	1		Inboard Sealed Axle Block Assembly
8	618-0302	1		Inboard Sealed Axle Block Assembly
9	618-0365	1	S	Wheel Hub Assembly
10	618-0368	1	S	Differential Axle Assembly
11	719-0379A	1	S	Upper Housing
12	641-0002A	1	/P	Axle Bearing Block Assembly
13	661-0012	1	S	Brake Assembly
14	710-0642	1	/P	Self-tapping Screw, 1/4-20 x .75
15	710-0788	1	/P	Self-tapping Screw, 1/4-20 x 1.0
16	711-1051A	1	/P	Drive Shaft
17	711-1216	1		Output Shaft
18	712-1329	1	/P	Nut, 3/4-16
19	713-0446	1	S	9-tooth Sprocket
20	713-0447	1	S	16-tooth Sprocket
21	713-0448	1	S	22-link Chain, .625
22	716-0131	1	S	External Snap Ring
23	717-0678	1	S	Brake Pad
24	717-1438	1	S	41-tooth Bevel Gear
25	717-1439	1	S	20-tooth Spur Gear
26	717-1440	1		10-tooth Spur Gear
27	717-1441	1		27-tooth Spur Gear
28	717-1442	1		37-tooth Spur Gear
29	718-0500	1		Inner Axle Bearing Block
30	718-0504	1		Shifter Insert
31	718-0505	1		Shifter Cover
32	718-0537	1		Shifter Bearing Block
33	719-0385	1		Lower Housing
34	718-0540	1		Lockout Plate
35	736-0337	1	S	Flat Washer, 5/8 x 1.0
36	736-3046A	1		Flat Washer, 1.01 x 1.86 x .060
37	711-1235	1		Input Shaft
38	747-1140	1	/P	Shift Lever
?39	750-1033A	1		Spacer, 1.13 x 1.38 x 1.968
40	761-0215	1		Disc Brake
41	716-0114	1	S	Retaining Ring, .56
42	717-1463	1	S	13-tooth Bevel Gear
43	736-0335	1	S	Flat Washer
44	736-0336	1	S	Flat Washer, 5/8 x 1.0 x .030
	736-0337	1	S	Flat Washer, 5/8 x 1.0 x .040
	736-0349	1	S	Falt Washer,5/8 x 1.0 x .020
46	741-0335	1	S	Needle Bearing
47	741-0696	1	/P	Needle Bearing
48	716-0231	1	S	E-ring, .75
49	618-0376	1	S	Transmission Assembly Complete