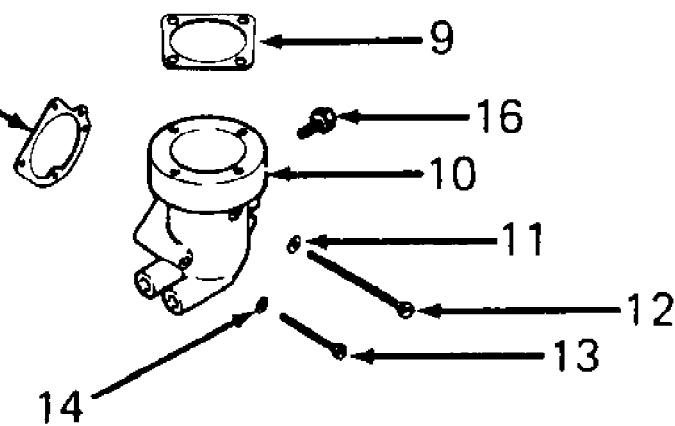
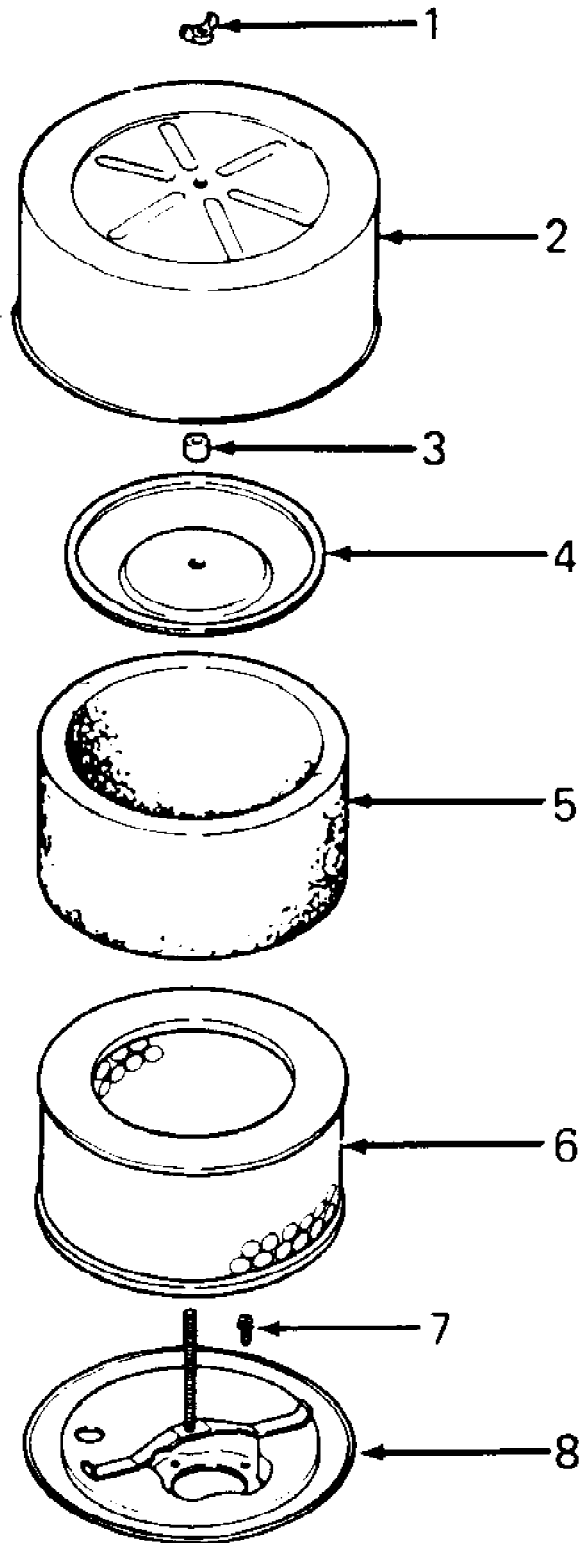


1415 S/N 147,088 - 170,600
Air Cleaner



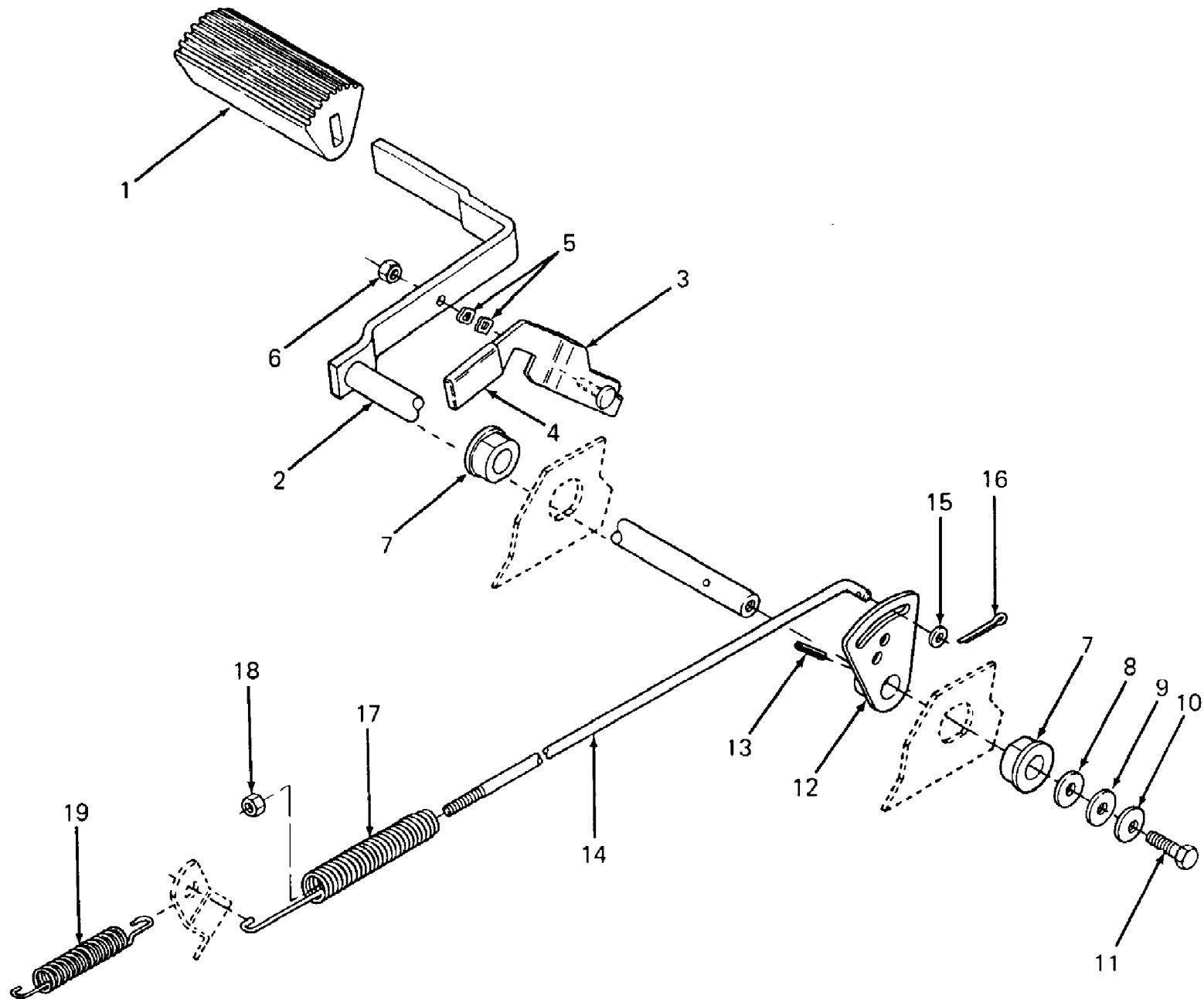
1415 S/N 147,088 - 170,600
Air Cleaner

Page 2 of 69

Ref #	Part Number	Qty	S/P/F	Description
1	KH-X-276-7	1	S	Nut, Wing
2	KH-45-082-01	1	/P	Cover, Air Cleaner
3	KH-231032	1	/P	Seal, Element Cover
4	KH-52-082-04	1	/P	Cover, Air Cleaner Element
5	KH-45-083-01	1	S	Precleaner
6	759-3359	1	S	Element
7	KH-X-67-98	4	S	Screw, Hex Wash Hd, 10-32 X 9/16
8	KH-52-094-06	1	/P	Base, Air Cleaner
9	KH-277093	1	/P	Gasket, Air Cleaner
10	KH-52-754-02	1		Elbow, Air Cleaner (Includes Ref No. 15 & 16)
11	KH-X-25-79	1		Washer, Plain, #10
12	KH-X-50-37	1	/P	Screw, Slted Pan Hd, 10-32 X 2-1/4
13	KH-X-50-57	2	S	Screw, Slted Pan Hd, 10-32 X 1-1/2
14	KH-X-22-9	2		Washer, I.T. #10
15	KH-25-041-06	1	/P	Gasket, Elbow
16	KH-52-086-11	1		Screw, Self Tapping, 1/4-20 X 5/8
	KH-25-113-01	1		Decal, Air Cleaner Instructions

1415 S/N 147,088 - 170,600
Brake Pedal & Connections

Page 3 of 69

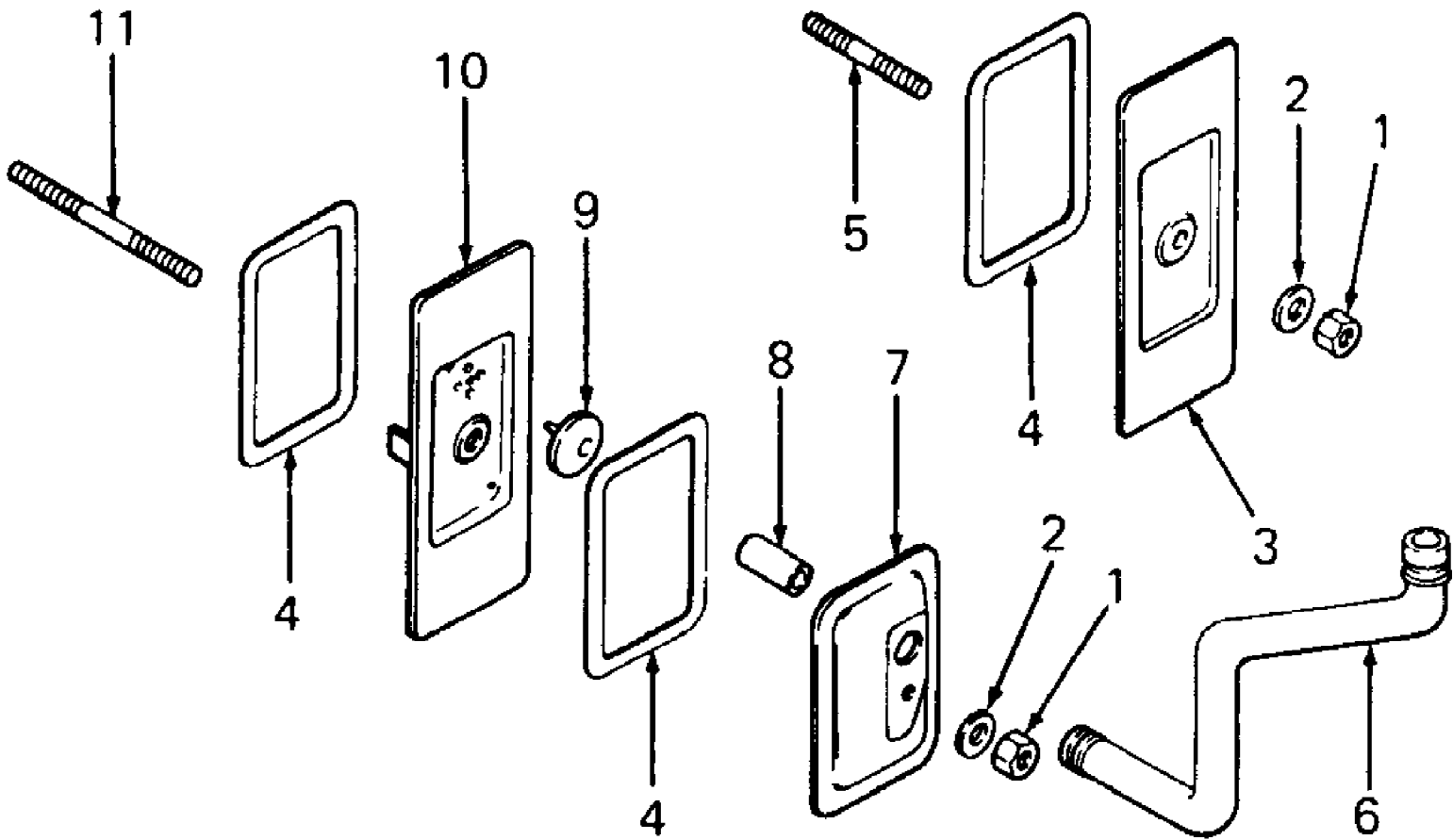


1415 S/N 147,088 - 170,600
Brake Pedal & Connections

Page 4 of 69

Ref #	Part Number	Qty	S/P/F	Description
1	735-0189	1		Pad, Foot
2	703-1532	1		Pedal, Brake
3	703-1393	1		Bracket, Parking Brake
4	720-3019	1	S	Grip, Parking Brake
5	736-3001	2	/P	Washer, Wave
6	712-0324	1	/P	Nut, Hex Insert Lock, 1/4-20
7	748-0209	2	S	Bearing, Flange
8	736-0156	AR	/P	Washer, Flat, .635 X 1.12 X .090 Thk
9	736-0176	1	S	Washer, Flat, .26 X .93 X .120 Thk
10	736-0270	1	/P	Washer, Bell, .265 X .75 X .062 Thk
11	710-3015	1	/P	Screw, Hex Cap, 1/4-20 X .75 Lg GR5
12	703-1558	1		Cam, Brake
13	715-0134	1	S	Pin, Spiral Spring, 3/16 Dia X 1.5 Lg
14	747-3124	1		Rod, Brake
15	736-0173	1	/P	Washer, Flat, .281 X .73 X .063 Thk
16	714-0507	1	S	Pin, Cotter, 3/32 X .75 Lg
17	732-3043	1		Spring, Ext
18	712-0107	1	S	Nut, Hex Patch, 1/4-20
19	732-3046	1		Spring, Brake Return

1415 S/N 147,088 - 170,600
Breather & Vent Assembly

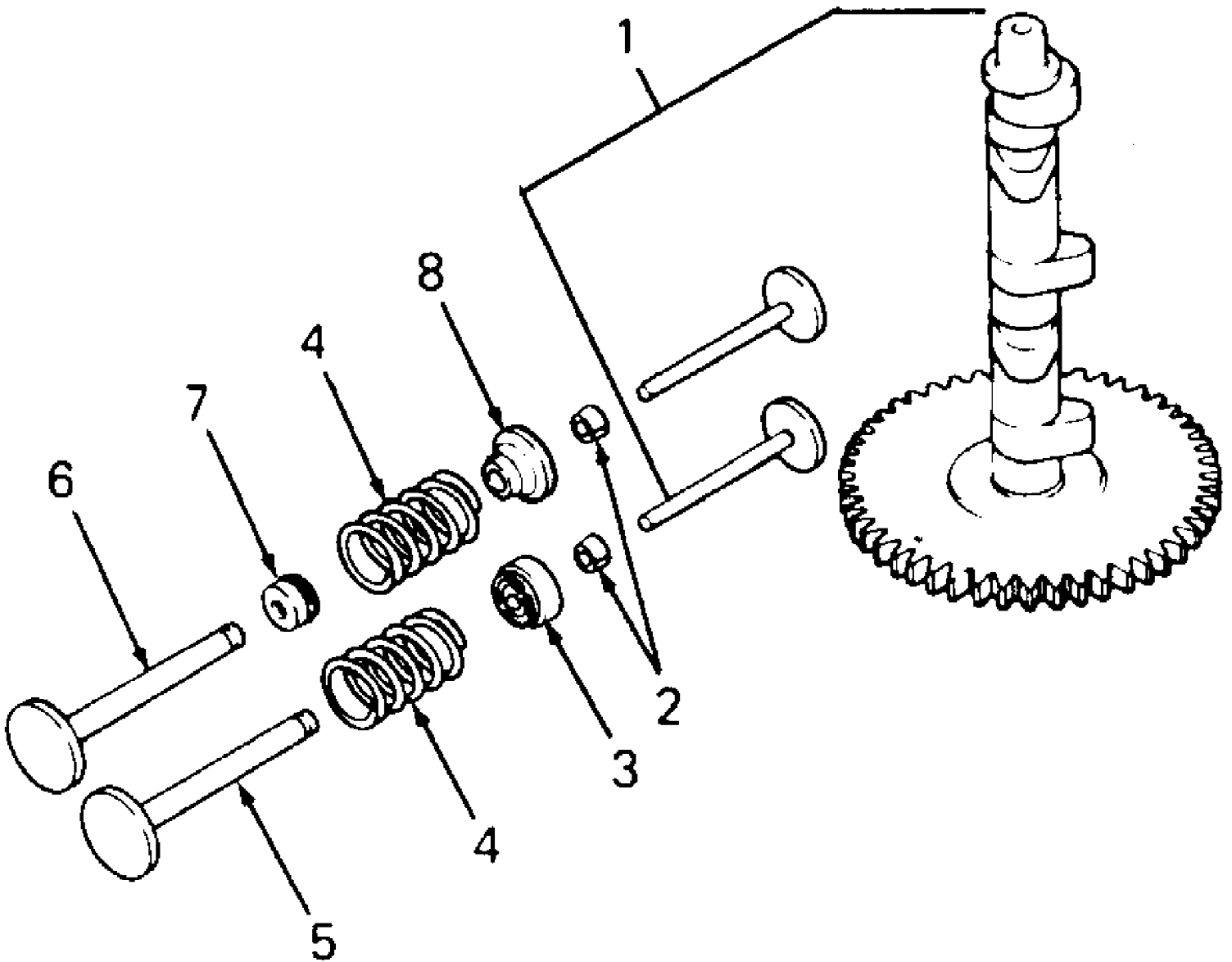


1415 S/N 147,088 - 170,600
Breather & Vent Assembly

Page 6 of 69

Ref #	Part Number	Qty	S/P/F	Description
1	KH-X-81-1	2		Nut, Hex, 1/4-20
2	KH-X-25-12	2	/P	Washer, Plain, 1/4
3	KH-52-096-18	1		Cover, #2 Cylinder Valve
4	KH-52-055-01	3	S	Gasket, Valve Cover
5	KH-X-352-39	1		Stud, #2 Cylinder Valve Cover, 1/4-20 X 2-1/4
6	KH-52-326-12	1		Hose, Breather
7	KH-52-096-08	1	/P	Cover, #1 Upper Cylinder Valve
8	KH-52-032-04	1	S	Seal, Breather
9	KH-52-462-01	1	S	Valve, Umbrella
10	KH-52-096-22	1	S	Cover, #1 Lower Cylinder Valve
11	KH-275220	1		Stud, #1 Cylinder Valve Cover, 1/4-20 X 3-1/4

1415 S/N 147,088 - 170,600
Camshaft & Valves - Engines S/N 1917809295 and Below



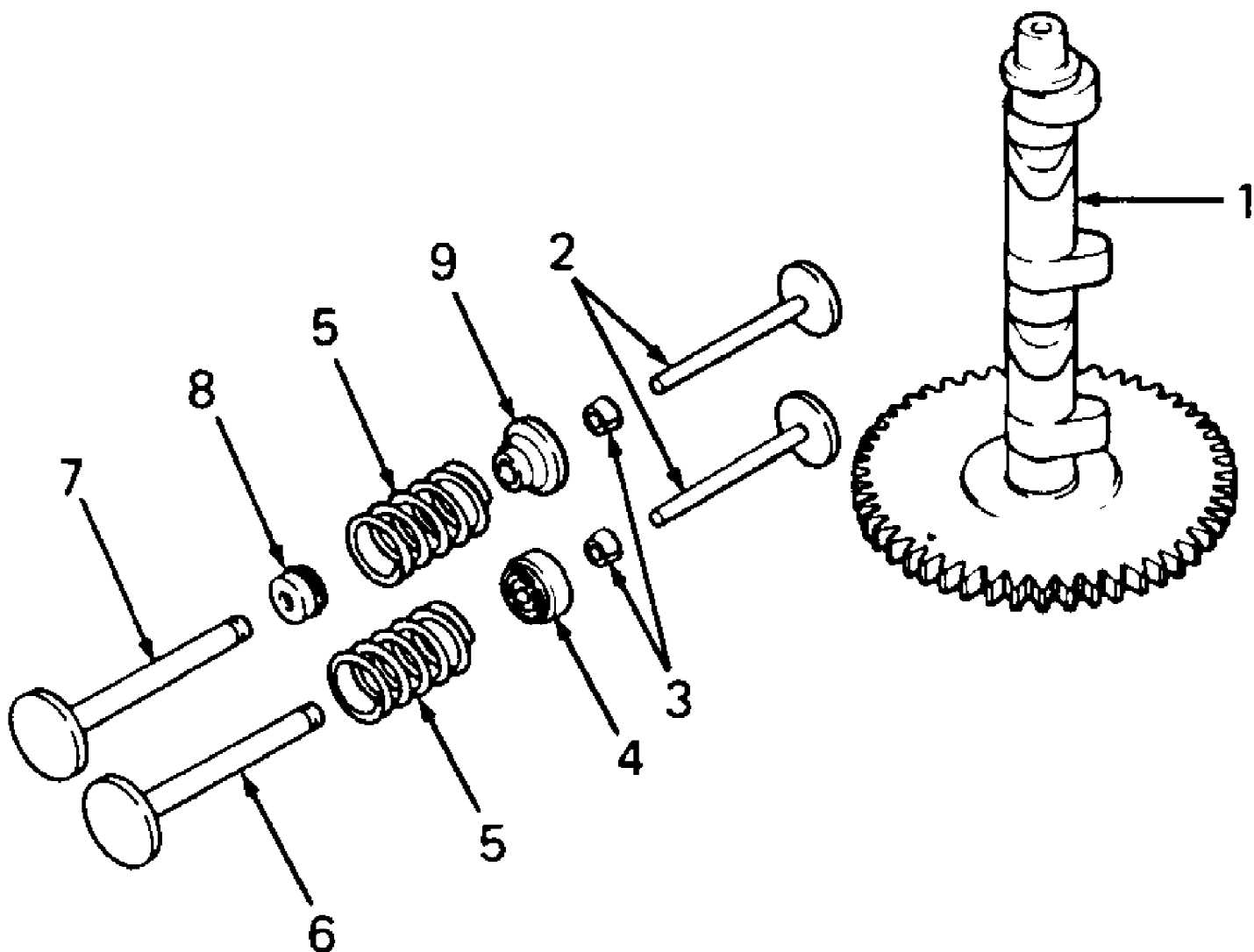
1415 S/N 147,088 - 170,600

Page 8 of 69

Camshaft & Valves - Engines S/N 1917809295 and Below

Ref #	Part Number	Qty	S/P/F	Description
1	KH-82-755-13	1	/P	Kit, Camshaft (Includes Tappets)
2	KH-41-755-10	4	/P	Kit, Retainer
3	KH-52-413-01	2	/P	Rotator, Exhaust Valve
4	KH-25-089-01	2		Spring, Valve
5	KH-52-016-02	2	/P	Kit, Exhaust Valve (Includes Seat)
6	KH-52-017-08	2		Valve, Intake
7	KH-52-032-13	2	S	Seal, Intake Valve Stem
8	KH-230011	2	/P	Retainer, Intake Valve

1415 S/N 147,088 - 170,600
Camshaft & Valves - Engines S/N 1917809296 and Above



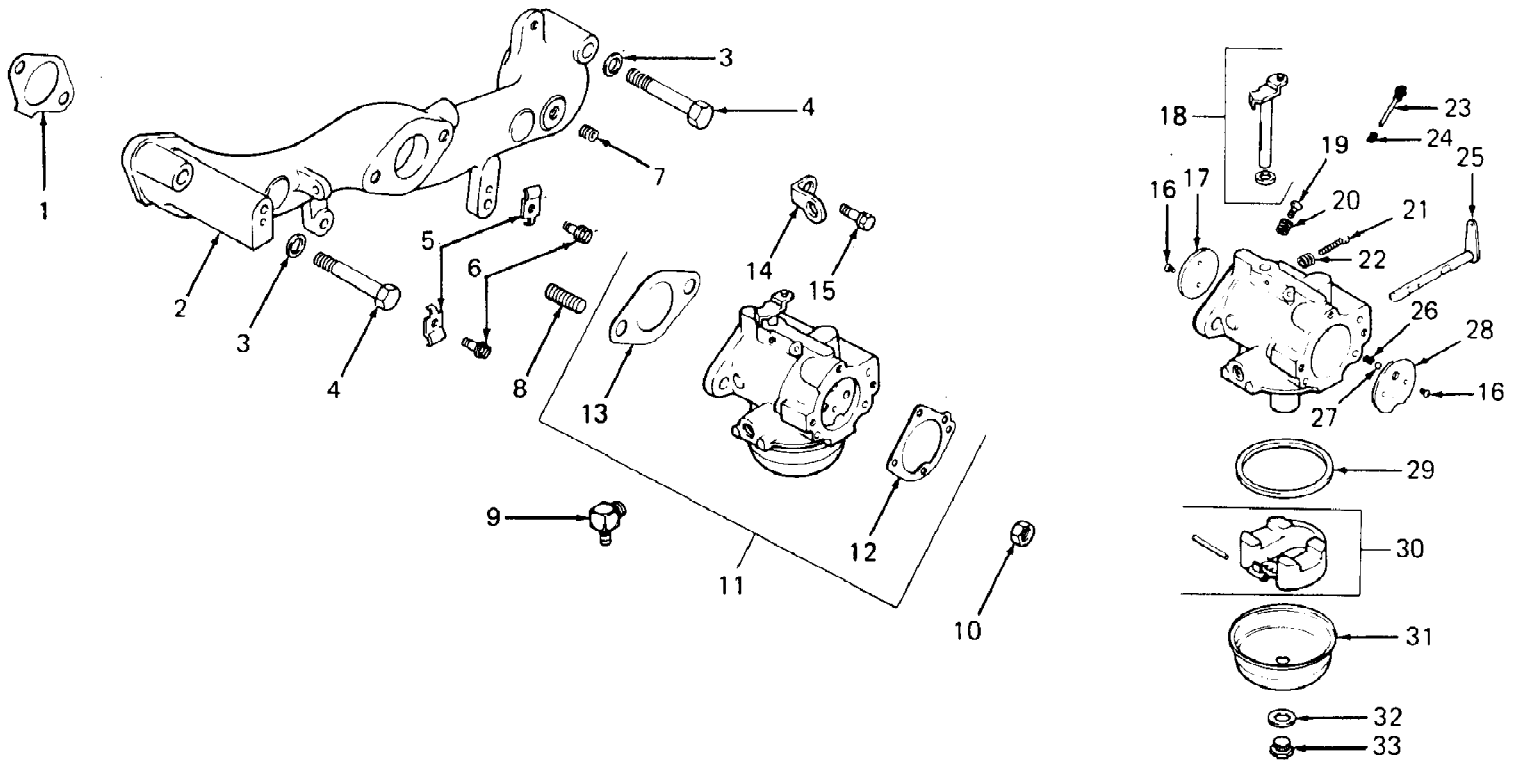
1415 S/N 147,088 - 170,600

Page 10 of 69

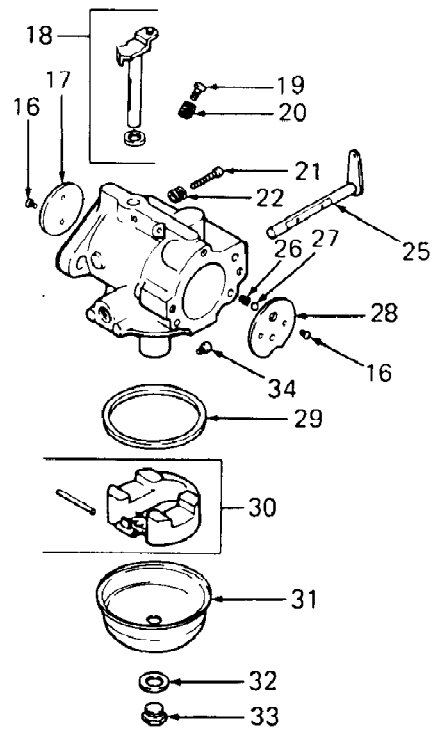
Camshaft & Valves - Engines S/N 1917809296 and Above

Ref #	Part Number	Qty	S/P/F	Description
1	KH-52-012-09	1	S	Camshaft
2	KH-52-019-03	4		Tappet
3	KH-41-755-10	4	/P	Kit, Retainer
4	KH-52-413-01	2	/P	Rotator, Exhaust Valve
5	KH-25-089-01	2		Spring, Valve
6	KH-52-016-05	2		Valve, Exhaust
7	KH-52-017-08	2		Valve, Intake
8	KH-52-032-13	2	S	Seal, Intake Valve Stem
9	KH-230011	2	/P	Retainer, Intake Valve

1415 S/N 147,088 - 170,600
Carburetor



ADJUSTABLE JET CARBURETOR



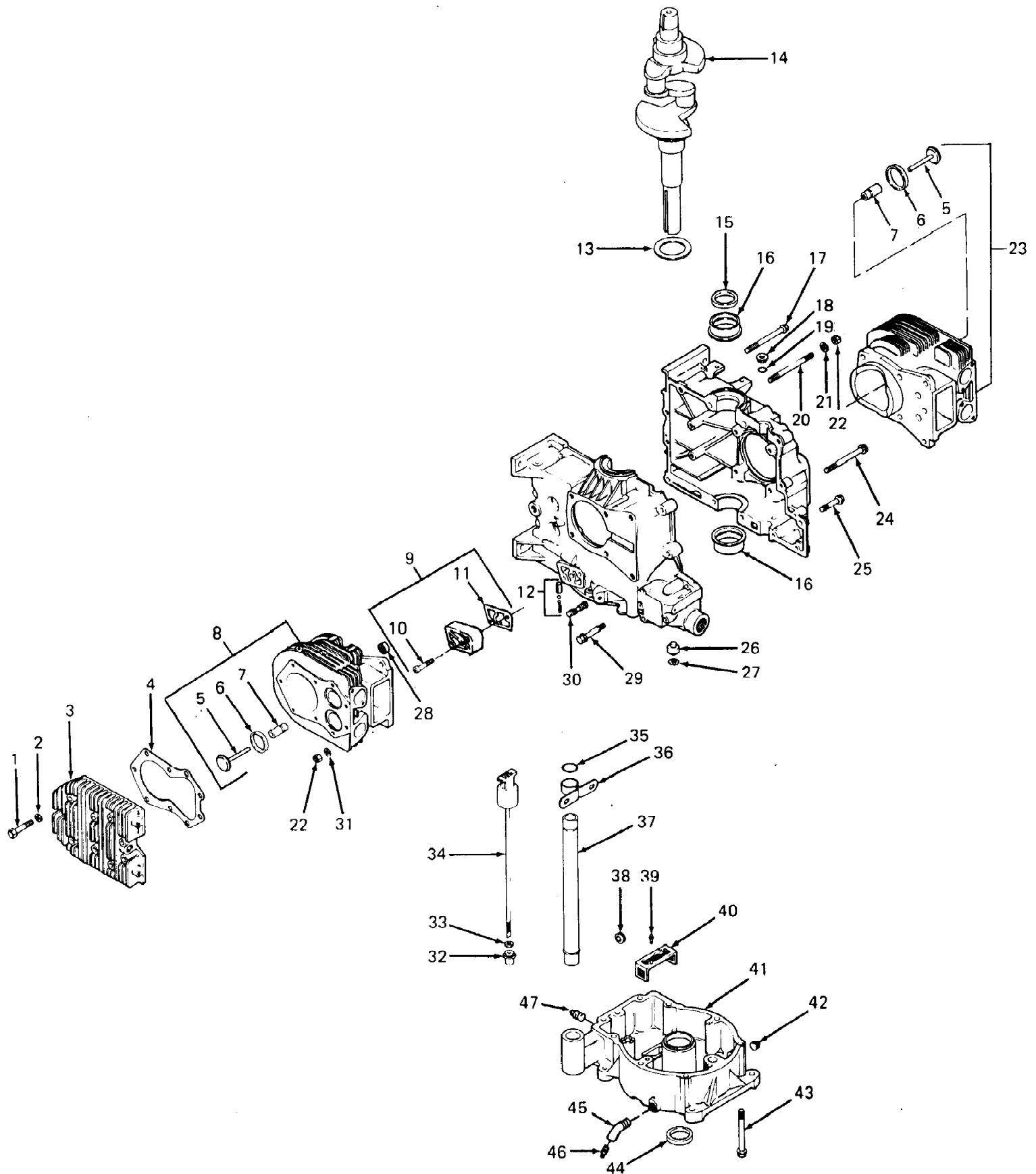
FIXED JET CARBURETOR

1415 S/N 147,088 - 170,600
Carburetor

Page 12 of 69

Ref #	Part Number	Qty	S/P/F	Description
1	KH-52-041-09	2	S	Gasket, Manifold
2	KH-52-755-91	1		Kit, Intake Manifold [Includes Ref No. 3 (Qty 4), 4 (Qty 4), 5 (Qty 2), 6 (Qty 2) & 7]
3	KH-X-25-44	4		Washer, Plain, 5/16
4	KH-X-6-29	4		Screw, Hex Cap, 5/16-18 X 2.0 Lg
5	KH-235778	2		Clamp, Cable
6	KH-X-67-97	2	S	Screw, Hex Wash Hd, #10-24 X 3/8 Lg
7	KH-X-75-23	1	S	Plug, 1/8 NPTF
8	KH-X-352-37	2	S	Stud, 5/16-18 X 1.0 Lg
9	KH-25-155-02	1	/P	Connector, 90
10	KH-X-77-2	2		Nut, Hex, 5/16-18
11	KH-52-853-09	1	S	Carburetor Assy w/ Gasket [Includes Ref No. 12, 13, 14, 15, 16 (Qty 4) & 17 thru 33]
12	KH-277069	1	S	Gasket, Air Intake Elbow
13	KH-271030	1	/P	Gasket, Carburetor
14	KH-232867	1		Strap, Lifting
15	KH-X-67-62	1		Screw, Hex Wash, 1/4-20 X 5/8 Lg
16	KH-25-086-27	4	/P	Screw, Throttle & Choke Plate
17	KH-25-146-02	1		Plate, Throttle
18	KH-52-144-16	1		Shaft, Throttle w/ Lever & Seal
19	KH-25-368-01	1		Needle, Idle Fuel Adj
20	KH-25-089-02	1		Spring, Idle Fuel
21	KH-25-086-26	1		Spring, Idle Speed Adj
22	KH-25-089-04	1		Screw, Idle Speed
23	KH-25-368-03	1		Needle, Main Fuel
24	KH-25-089-02	1		Spring, Main Fuel
25	KH-52-090-13	1		Lever, Choke
26	KH-25-089-03	1		Spring, Choke Friction
27	KH-25-194-01	1		Ball, Choke Friction
28	KH-25-146-03	1		Plate, Choke
29	KH-25-041-04	1	/P	Gasket, Bowl
30	KH-25-757-09	1	/P	Float Kit
31	KH-25-104-01	1		Bowl, Fuel
32	KH-25-041-03	1	/P	Gasket, Bowl Retainer Screw
33	KH-25-100-05	1	S	Screw, Bowl Retainer
34	KH-52-337-06	1		Jet, Main
	KH-25-757-08	1	S	Carburetor Repair Kit
	KH-52-755-98	1		High Altitude Kit (Fixed jet carburetors only)

1415 S/N 147,088 - 170,600
Crankcase



1415 S/N 147,088 - 170,600
Crankcase

Page 14 of 69

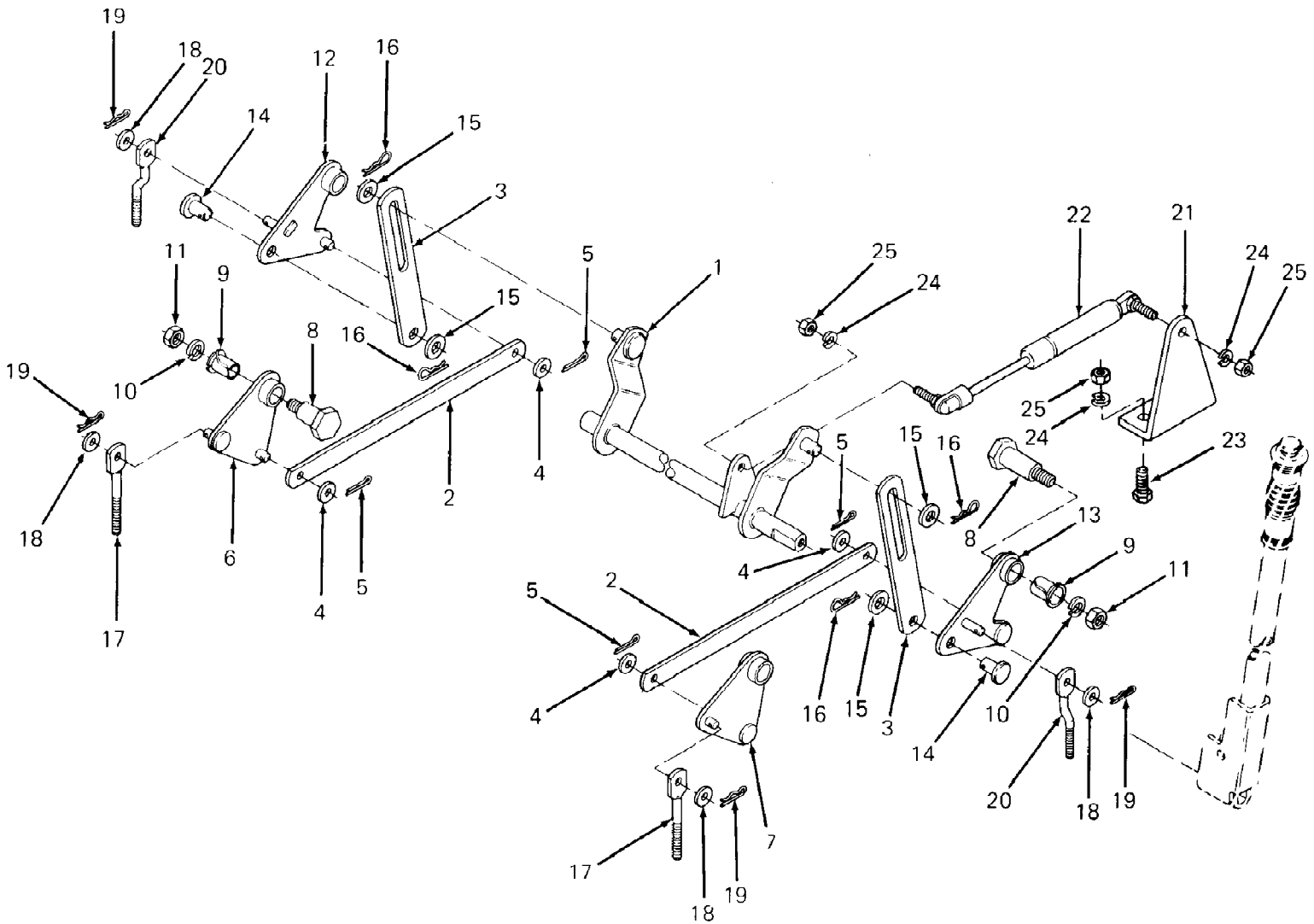
Ref #	Part Number	Qty	S/P/F	Description
	KH-56509	1		Crankcase Assy (14 HP Kohler Engine)
	710-0624	4	/P	Bolt, 5/16-24 X 1.50 Lg GR 5
	712-3057	4	S	Nut, 5/16-24 GR 5
	736-0119	4	S	Washer, Lock, 5/16
	KH-52-522-78	1		Short Block
1	KH-41-086-02	18	/P	Screw, Hex Hd, 5/16-18 X 1-1/2
2	KH-220534	18	/P	Washer, Plain, 5/16
3	KH-52-015-10	2		Head, Cylinder
4	KH-52-041-18	2	S	Gasket, Cylinder Head
5	KH-52-016-05	2		Valve, Exhaust
6	KH-52-031-01	4		Insert, Valve Seat
7	KH-52-316-06	4	S	Valve, Guide
8	KH-82-755-16	1		Kit, #1 Cylinder Barrel (Includes Ref No. 5, 6 & 7)
9	KH-52-755-66	1		Oil Filter Kit, Non-Filter Cover [Includes Ref No. 10 (Qty 2) & 11]
10	KH-X-55-15	2		Screw, Hex Socket Hd, 5/16-18 X 1-1/4
11	KH-52-041-16	1	/P	Gasket, Oil Filter
12	KH-52-755-50	1	/P	Oil Relief Kit
13	KH-52-468-03	AR		Washer, Thrust, .119/.122
	KH-52-468-04	AR	/P	Washer, Thrust, .128/.131
	KH-52-468-05	AR		Washer, Thrust, .137/.140
14	KH-52-014-93	1		Crankshaft, 3-5/32 X 1 in. Tapped PTO
15	KH-52-032-10	1	S	Seal, Front Oil
16	KH-52-030-10	2	S	Bearing, Sleeve, Std
	KH-52-030-11	2	S	Bearing, Sleeve, .010
	KH-52-030-12	2		Bearing, Sleeve, .020
17	KH-25-086-11	6		Screw, Hex Flange, 5/16-18 X 3-1/2
18	KH-52-139-08	1	/P	Plug, 3/4 in. O.D.
19	KH-52-141-02	1	/P	O-Ring
20	KH-X-352-33	2		Stud, 5/16-18 X 4-1/8
21	KH-41-468-01	4		Washer, Plain
22	KH-X-82-2	16		Nut, Hex, 5/16-18
23	KH-82-755-17	1		Kit, #2 Cylinder Barrel (Includes Ref No. 5, 6 & 7)
24	KH-25-086-13	2		Screw, Hex Flange, 3/8-16 X 3-5/8
25	KH-25-086-10	3		Screw, Hex Flange, 5/16-18 X 1-1/2
26	KH-52-078-05	1	S	Shaft, Governor
27	KH-X-269-43	1	/P	Ring, Retaining
28	KH-52-158-04	2		Bushing, Locating
29	KH-25-086-12	2		Screw, Hex Flange, 5/16-18 X 2
30	KH-52-072-12	12		Stud, Step, 5/16-18 X 3/4, 3/8-16 X 5/8, 2 in. Lg
31	KH-52-468-12	12		Washer, Flat, 5/16
32	KH-52-032-14	1		Seal, Rubber
33	KH-X-25-44	1		Washer, Plain, 5/16
34	KH-52-038-08	1	S	Dipstick, 13-1/2 in. Blade
35	KH-41-153-01	1	/P	O-Ring
36	KH-52-126-11	1		Bracket, Oil Tube Support
37	KH-52-123-20	1		Tube, Oil Fill, 11-7/8
38	KH-47-139-01	1		Plug, Hex Cnk, 3/4 NPTF

1415 S/N 147,088 - 170,600
Crankcase

Page 15 of 69

Ref #	Part Number	Qty	S/P/F	Description
39	KH-X-67-64	2	S	Screw, Hex Wash Hd, 10-32 X 7/16
40	KH-52-050-03	1		Filter, Oil Pickup
41	KH-52-199-01	1	S	Pan, Oil
42	KH-X-75-10	1	S	Plug, Sq Solid Hd, 3/8 NPTF
43	KH-52-086-12	9		Screw, Hex Wash Hd, 5/16-18 X 3-1/4
44	KH-52-032-10	1	S	Seal, Rear Oil
45	751-3067	1		Pipe, Oil Drain
46	751-3001	1	/P	Plug, Pipe, H-Hd Auto, 1/4-18 ZNP
47	KH-X-75-38	1		Plug, Hex Ctsk, 1/4 NPTF
	KH-52-755-94	1	S	Gasket Set

1415 S/N 147,088 - 170,600
Deck Lift & Hanger

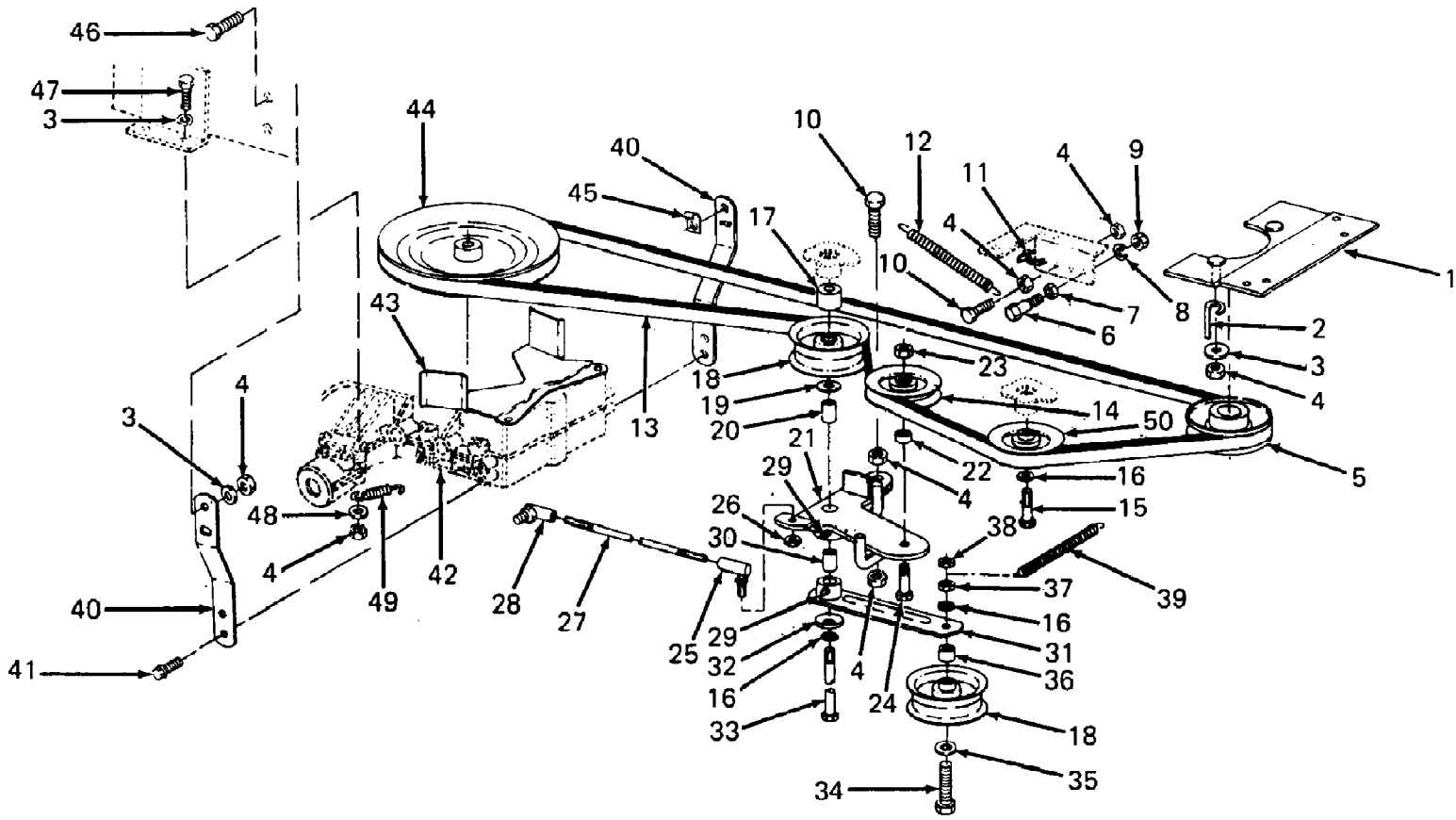


1415 S/N 147,088 - 170,600
Deck Lift & Hanger

Page 17 of 69

Ref #	Part Number	Qty	S/P/F	Description
1	703-1578	1		Shaft Assy, Lift
2	703-1602	2		Link
3	703-1601	2		Link, Lift
4	736-0101	4	S	Washer, Flat, .406 X 1.0 X .030 Thk
5	714-0474	4	S	Pin, Cotter, 1/8 X 3/4 Lg
6	703-1595	1		Cam Assy, Rear Lift - LH
7	703-1594	1	S	Cam Assy, Rear Lift - RH
8	738-0150	4	S	Screw, Shoulder, .625 X .960
9	741-0295	4	S	Bearing, Flanged Nylon
10	736-0169	4	S	Washer, Lock, 3/8
11	712-3000	4	S	Nut, Hex Center Lock, 3/8-16 GR5
12	703-1597	1	S	Cam Assy, Front Lift - LH
13	703-1598	1	/P	Cam Assy, Front Lift - RH
14	711-3241	2	S	Pin, Clevis, .50 Dia X .62 Lg
15	736-0272	4	S	Washer, Flat, .510 X 1.0 X .06 Thk
16	714-0149B	4	S	Pin, Internal Cotter
17	711-3239	2	S	Link, Rear Lift
18	736-0185	4	S	Washer, Flat, .406 X .75 X .063 Thk
19	714-0104	4	S	Pin, Internal Cotter
20	711-3237	2		Link, Front Lift
21	703-1382	1		Bracket, Spring
22	703-1384	1		Spring Assy, Gas
23	710-3038	2	/P	Bolt, 5/16-18 X 7/8 Lg GR5
24	736-0119	4	S	Washer, Lock, 5/16
25	712-3010	4	S	Nut, Hex, 5/16-18 GR5

1415 S/N 147,088 - 170,600
Drive



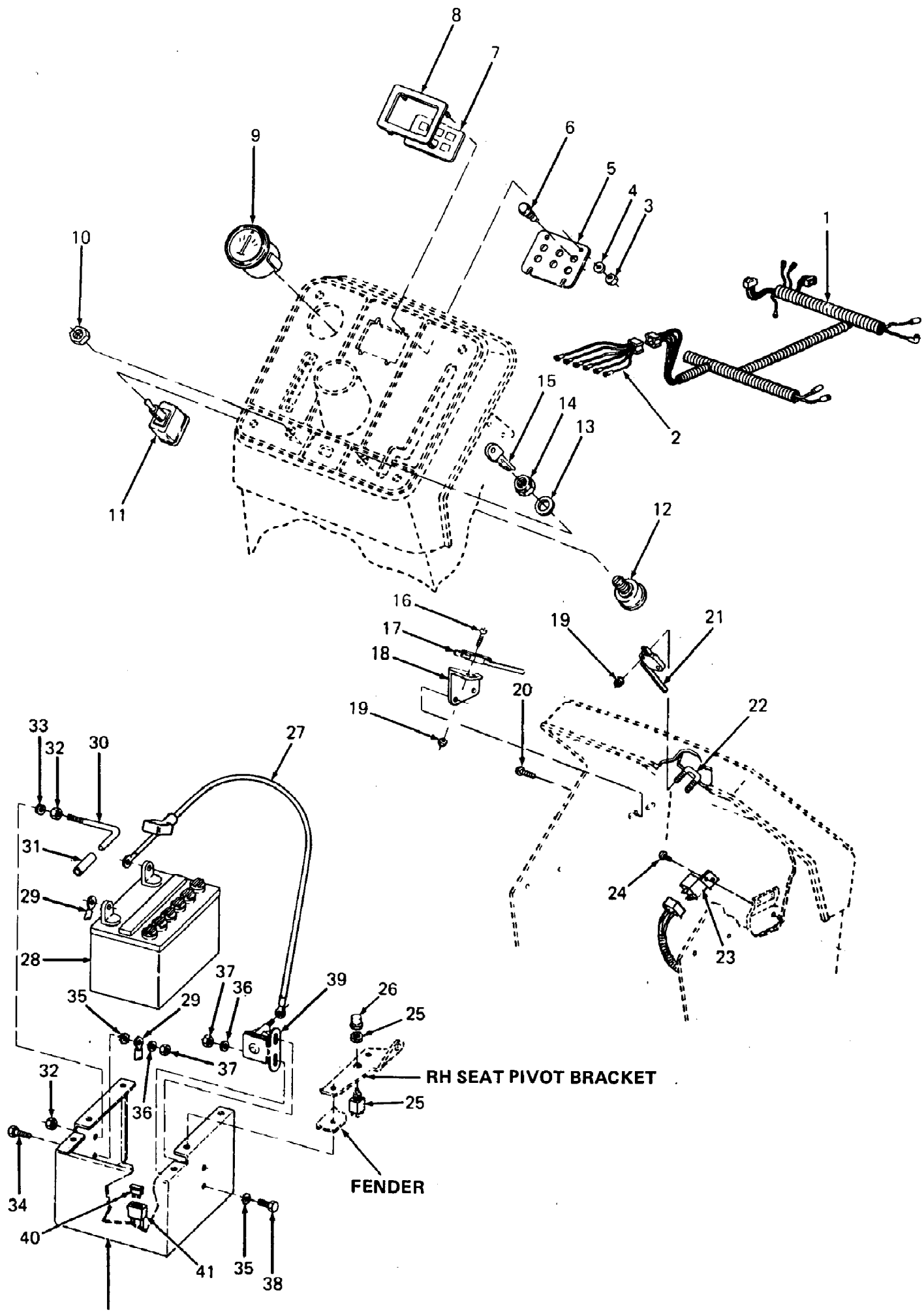
1415 S/N 147,088 - 170,600
Drive

Page 19 of 69

Ref #	Part Number	Qty	S/P/F	Description
1	703-1212	1		Plate, Belt Guard Mounting
2	747-3030	1	/P	Guide, Belt
3	736-0242	9	/P	Washer, Bell, .345 X .88 X .060 Thk
4	712-3009	13	S	Nut, Hex Center Lock, 5/16-18 GR5
5	756-3033	1		Pulley, Engine, 3.5 OD
6	738-0528	1		Screw, Shoulder
7	712-3007	1	/P	Nut, Hex Jam, 5/16-18 GR5
8	736-0119	1	S	Washer, Lock, 5/16
9	712-3010	1	S	Nut, Hex, 5/16-18 GR5
10	710-3002	2	S	Screw, Hex Cap, 5/16-18 X 1.0 Lg GR5
11	725-0157	1	/P	Tie, Cable
12	732-0384	1	S	Spring, Extension, .62 OD X 6.12 Lg
13	754-3024	1	S	V-Belt, 1/2 X 91.0 Lg
14	756-0236	1		V-Idler, 3.06 OD
15	710-3005	1	/P	Screw, Hex Cap, 3/8-16 X 1.25 Lg GR5
16	736-0169	3	S	Washer, Lock, 3/8
17	711-3175	1		Bushing, .390 X 1.0 X .812 Lg
18	756-0217	2	S	Pulley, Flat Idler, 2.75 OD
19	736-0267	1	S	Washer, Flat, .385 X .87 X .06 Thk (Hdn)
20	750-0245	1		Spacer, .380 X .625 X 1.14 Lg
21	703-1653	1		Bracket, Clutch
22	750-0507	1		Spacer, .380 X .625 X .27 Lg
23	712-3000	1	S	Nut, Hex Center Lock, 3/8-16 GR5
24	710-3037	1	S	Screw, Hex Cap, 3/8-16 X 1.75 Lg GR5
25	723-3011	1	S	Joint, Ball, 5/16-24 RH Trd
	712-3025	1		Nut, Hex Jam, 5/16-24 GR5
26	712-3057	1	S	Nut, Hex, 5/16-24 GR5
27	711-3235	1		Rod, Clutch
28	723-3012	1	S	Joint, Ball, 5/16-24 LH Trd
	712-3045	1	S	Nut, Hex Jam, 5/16-24 LH Trd GR5
29	737-3000	2	S	Fitting, Lube, 3/16 Drive
30	750-0252	1	S	Spacer, .377 X .600 X .830 Lg
31	703-1396	1	S	Arm, Idler
32	736-0247	1	/P	Washer, Flat, .406 X 1.25 X .157 Thk (Hdn)
33	710-3153	1		Screw, Hex Cap, 3/8-16 X 4.75 Lg GR5
34	710-3022	1	/P	Screw, Hex Cap, 3/8-16 X 2.75 Lg GR5
35	736-0140	1	S	Washer, Flat, .385 X .620 X .063 Thk
36	750-0497	1		Spacer, .375 X .625 X .44 Lg
37	712-3008	1	S	Nut, Hex Jam, 3/8-16 GR5
38	712-0266	1	S	Nut, Hex Center Lock Jam
39	732-3044A	1	S	Spring, Extension, .41 OD X 6.0 Lg
40	703-1106	2		Brace, Transmission
41	710-0604	4	S	Screw, Hex Wash Hd Tapp, 5/16-18 X .62 Lg
42	717-3040	1	S	Transmission - 5 Speed (For Components see Transaxle)
43	16344	1		Belt Keeper, Transaxle
	710-0604	2	S	Screw, Hex Wash Hd Tapp, 5/16-18 X .62 Lg
44	756-3028	1	/P	Pulley, Transmission
	714-0129	1	S	Key, #4 Hi-Pro, 3/32 X 5/8
	736-0921	1	S	Washer, Lock, 1/2
	712-0922	1	/P	Nut, Hex Jam, 1/2-20
45	726-3008	1	/P	Clip, Cable

1415 S/N 147,088 - 170,600
Drive

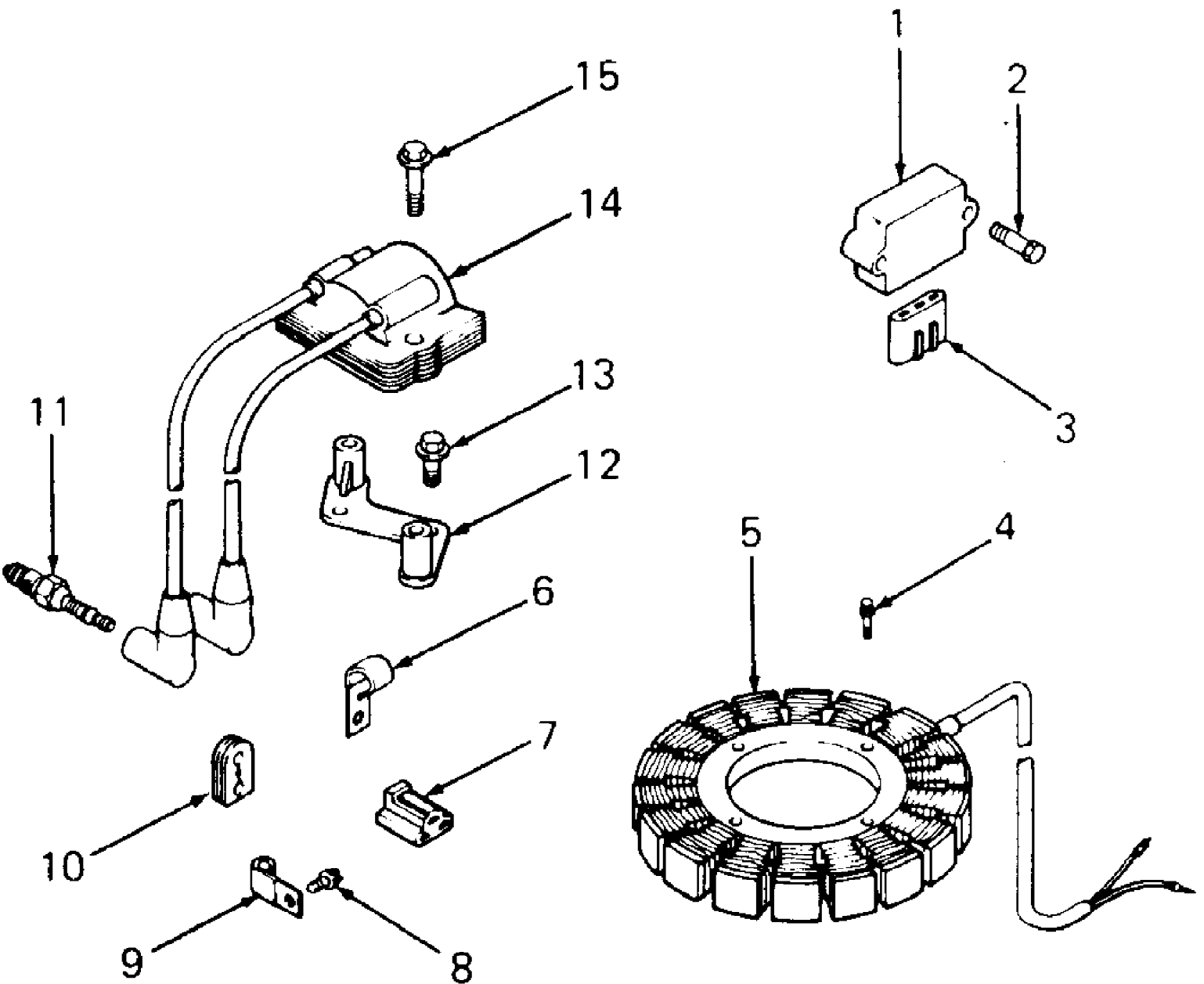
Ref #	Part Number	Qty	S/P/F	Description
46	710-3008	4	/P	Screw, Hex Cap, 5/16-18 X .75 Lg GR5
47	710-3156	4		Screw, Hex Cap, 5/16-18 X 2.5 Lg GR5
48	736-0159	1	S	Washer, Flat, .344 X .875 X .06 Thk
49	732-3046	1		Spring, Extension
50	756-0166	1	S	V-Idler, 2.62 OD



1415 S/N 147,088 - 170,600
Electrical

Page 22 of 69

Ref #	Part Number	Qty	S/P/F	Description
1	725-3150	1	S	Harness, Wire
2	725-3115C	1	S	Harness, Indicator Wire
3	712-3060	4		Nut, Self-Threading Pal
4	735-0640	4		Washer, Rubber, .18 X .50 X .06 Thk
5	703-1167	1		Plate, Indicator
6	725-3104	6		Lamp, Indicator
7	779-3266	1	S	Label, Indicator
8	731-3049	1		Bezel, Light
9	725-3141	1	S	Ammeter
10	712-3014	1	/P	Nut, Hex, 1/2-27 X .100 Thk
11	725-0893	1	S	Switch, PTO
12	725-3026	1	S	Switch, Ignition Key
13	736-0302	1	/P	Washer, Flat
14	712-3013	1	/P	Nut, Ignition Switch
15	759-3476	1	S	Key, Ignition (Set of 2)
16	710-3112	2		Screw, Hex Hd Mach, #4-40 X .75 Lg
17	725-3146	1	S	Switch, Micro
18	703-1606	1		Plate, Switch
19	712-3052	4	/P	Nut, Hex Insert Lock, #4-40
20	710-0776A	2	S	Screw, Hex AB Tapp, 1/4 X .62 Lg
21	725-3066	1	S	Switch, Micro
22	711-3259	1		Screw, Switch
23	725-1375	1	S	Relay
24	710-0748	1	/P	Screw, Pan Hd Tapp, #12 X .50 Lg
25	725-3060	1	S	Switch w/Nut
26	735-3006	1	/P	Boot, Switch
27	725-0221	1		Wire, Positive Battery
28	725-3061	1	S	Battery, 12 Volt
	710-0451	2	/P	Bolt, Carriage, 5/16-18 X .75 Lg
	712-3010	2	S	Nut, Hex, 5/16-18
29	725-0977	1	S	Wire, Ground, 11.5 Lg
30	747-0216	1	/P	Pin, Locking
31		1		Fuel Line, 2 in. Long (Use Bulk Fuel Line Part No. 759-3330, 10 ft. Lg)
32	712-3057	2	S	Nut, Hex, 5/16-24 GR5
33	736-0119	1	S	Washer, Lock, 5/16
34	710-0751	1	/P	Screw, Hex Cap, 1/4-20 X .62 Lg GR5
35	736-3006	3	/P	Washer, Int Ext Lock, 1/4 X 3/4
36	736-0173	3	/P	Washer, Flat, .281 X .73 X .063 Thk
37	712-0107	3	S	Nut, Hex Patch Lock, 1/4-20
38	710-3013	2	/P	Screw, Hex Cap, 1/4-20 X .50 Lg GR5
39	725-0771	1	S	Solenoid, 12 Volt
	736-0329	2	S	Washer, Lock, 1/4
	712-3006	2	/P	Nut, Hex, 1/4-20 GR5
40	725-1381	1	S	Fuse, Auto Type, 20 Amp
41	729-0207	1		Fuse Holder

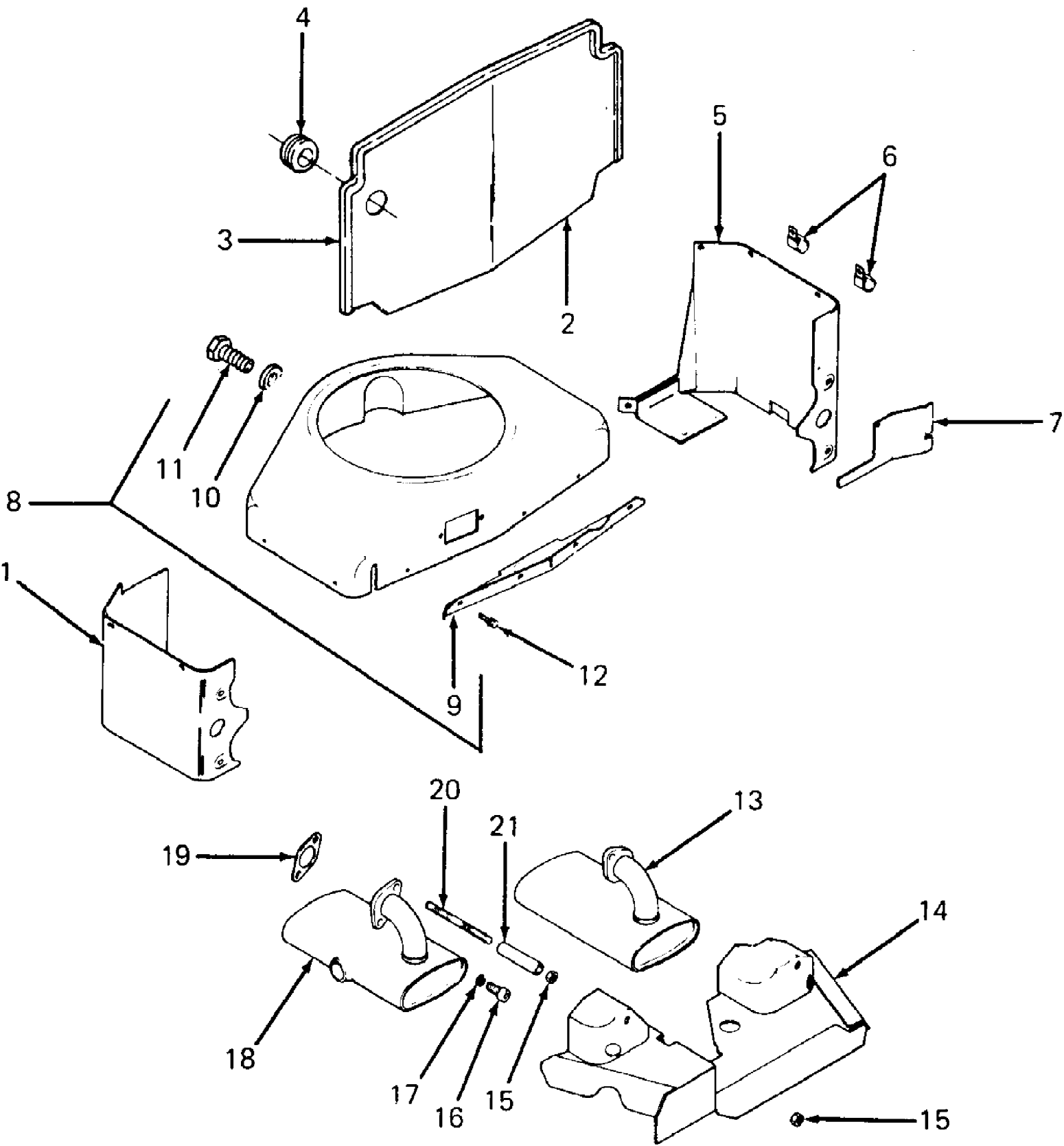


1415 S/N 147,088 - 170,600
Engine Electrical

Page 24 of 69

Ref #	Part Number	Qty	S/P/F	Description
1	KH-41-403-05	1	S	Rectifier, Regulator
2	KH-X-5-3	2		Screw, H.C. Sems, 1/4-20 X 5/8
3	KH-236602	1	S	Connector, Female (3 contact)
4	KH-X-67-51	4	S	Screw, Hex Wash Hd, 10-24 X 3/4
5	KH-237878	1	/P	Stator Kit, 15 amp
6	KH-235173	1		Clip, Cable
7	KH-236473	1		Connector, Male (3 contact)
8	KH-X-67-83	1	S	Screw, Hex Wash Hd, 1/4-20 X 7/16
9	KH-48-154-02	1		Clip, Lead
10	KH-52-313-02	1		Grommet
11	759-3334	1	/P	Spark Plug
12	KH-52-126-08	1		Bracket, Module
13	KH-25-086-16	2		Screw, Hex Wash Hd, 1/4-20 X 7/8
14	KH-52-584-02	1	/P	Module, Ignition w/ Diode
15	KH-25-086-15	2		Screw, Hex Wash Hd, 1/4-20 X 1
	KH-47-518-33	1		Lead, Violet, Regulator Rectifier (11 in. 14 gauge un-insulated push on tab terminals)
	KH-52-518-19	1		Lead, White, Module to Connector (19-1/2 in. 14 gauge insulated push on tab-uninsulated push on tab terminal)

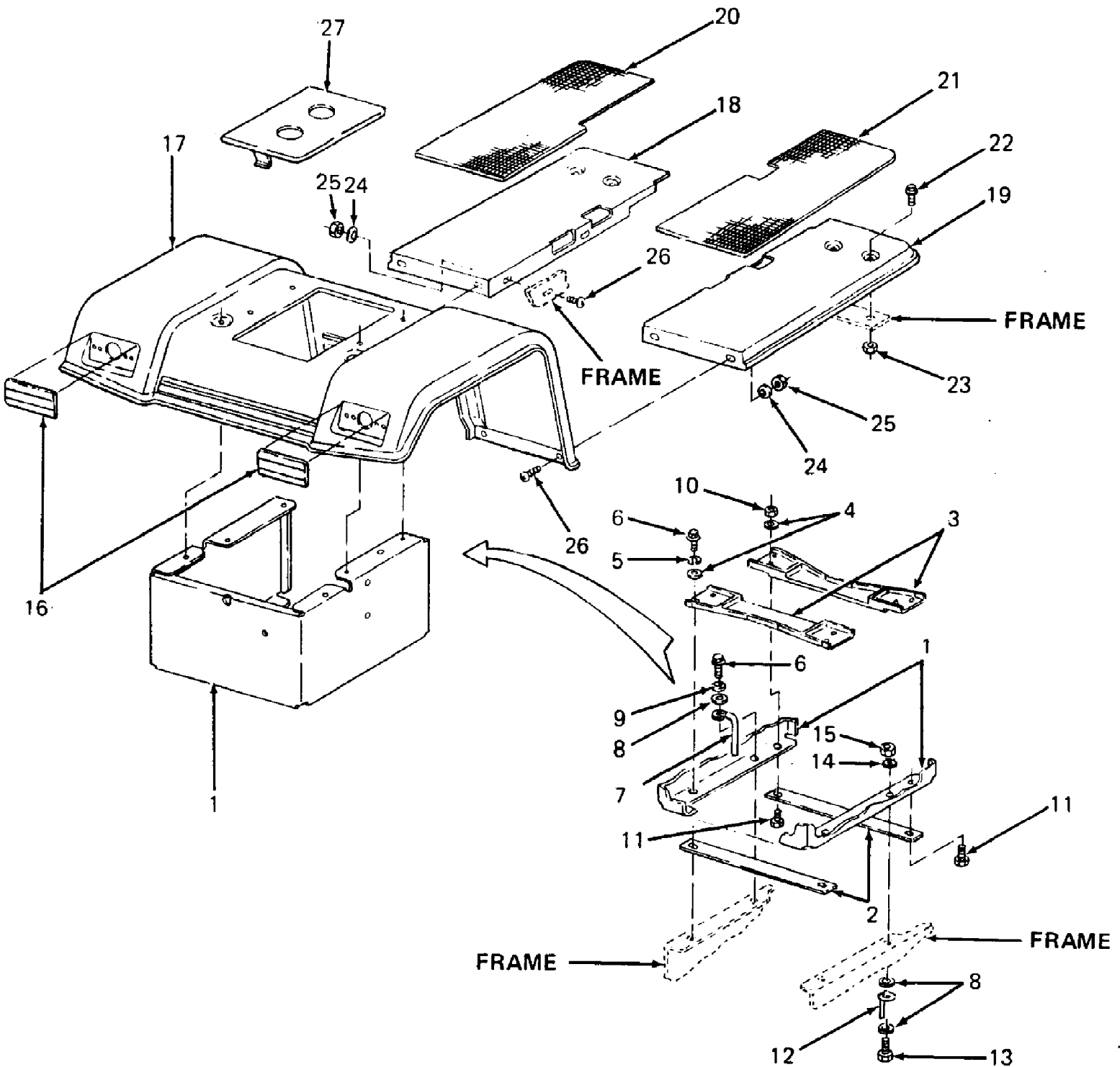
1415 S/N 147,088 - 170,600
Exhaust, Baffles & Shrouds



1415 S/N 147,088 - 170,600
Exhaust, Baffles & Shrouds

Ref #	Part Number	Qty	S/P/F	Description
1	KH-52-124-23	1		Baffle, Cylinder Head, RH
2	703-1498	1		Baffle, Engine Heat
3	723-3050	1		Seal, Engine Heat Baffle
4	723-3041	1		Bushing, Snap, 3/4
5	KH-52-124-30	1	S	Baffle, Cylinder Head, LH
6	KH-48-154-01	2	S	Clip
7	KH-52-063-01	1	S	Top, Cylinder, LH
8	KH-52-755-71	1	S	Housing Kit, Blower [Includes Ref No. 9, 10 (Qty 2) & 11 (Qty 2)]
9	KH-52-217-01	1		Support, Upper Housing
10	KH-52-468-16	2		Washer, Flat
11	KH-52-086-11	2		Screw, Self Tapping, 1/4-20 X 5/8
12	KH-X-67-83	20	S	Screw, Hex Wash Hd, 1/4-20 X 7/16
13	KH-52-068-31	1	/P	Muffler, LH
14	KH-52-281-17	1		Shield, Heat
15	KH-X-82-2	4		Nut, Hex, 5/16-18
16	KH-X-55-6	2	S	Screw, Hex Socket Hd, 5/16-18 X 3/4
17	KH-X-21-1	4		Washer, Lock, 5/16
18	KH-52-068-30	1	/P	Muffler, RH
19	KH-52-041-14	2	S	Gasket, Exhaust
20	KH-52-072-13	2	/P	Stud, 5/16-18 X 4
21	KH-52-112-08	2		Spacer, 5/16 I.D. X 9/16 O.D.

1415 S/N 147,088 - 170,600
Fenders & Foot Rests

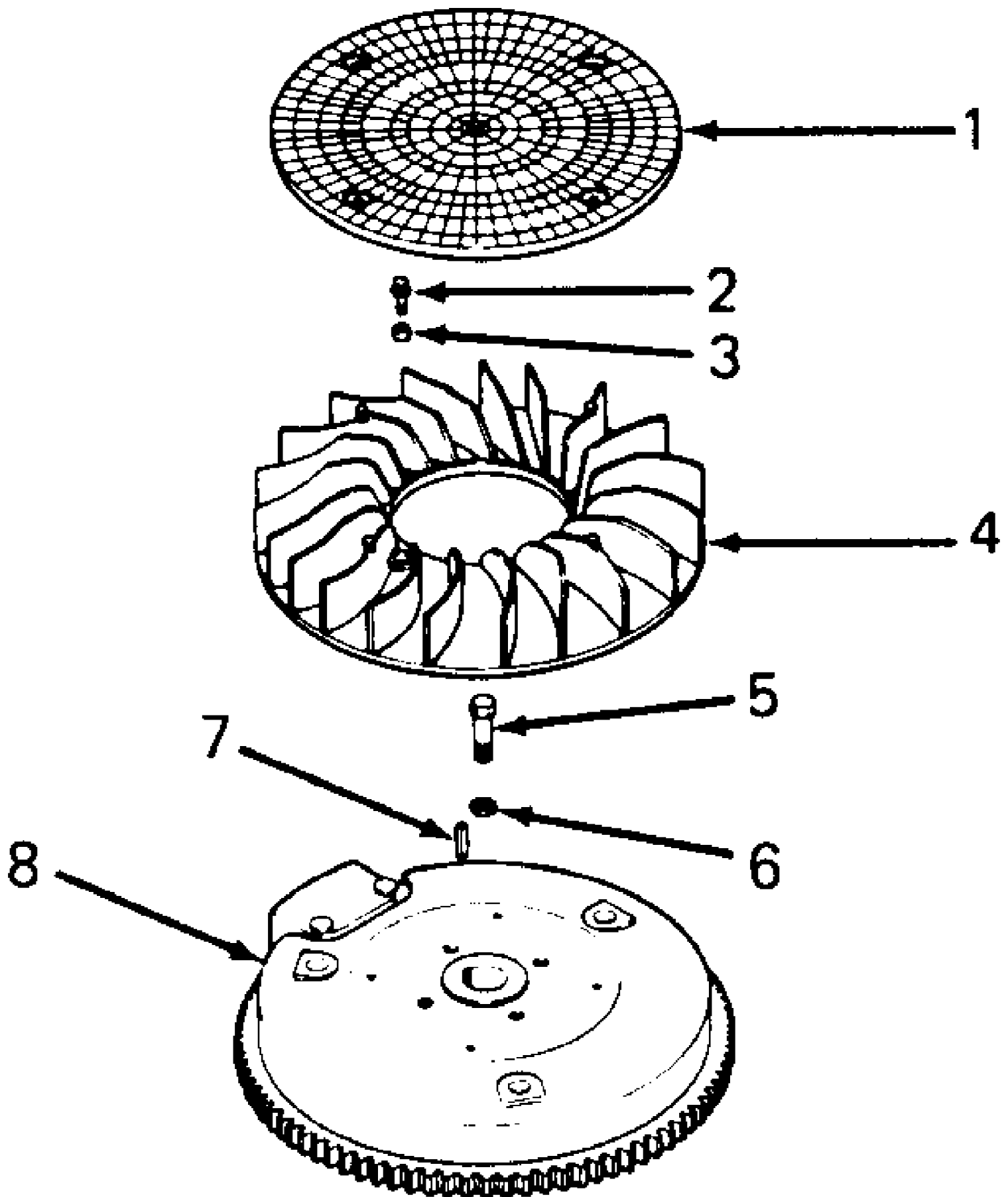


1415 S/N 147,088 - 170,600
Fenders & Foot Rests

Page 28 of 69

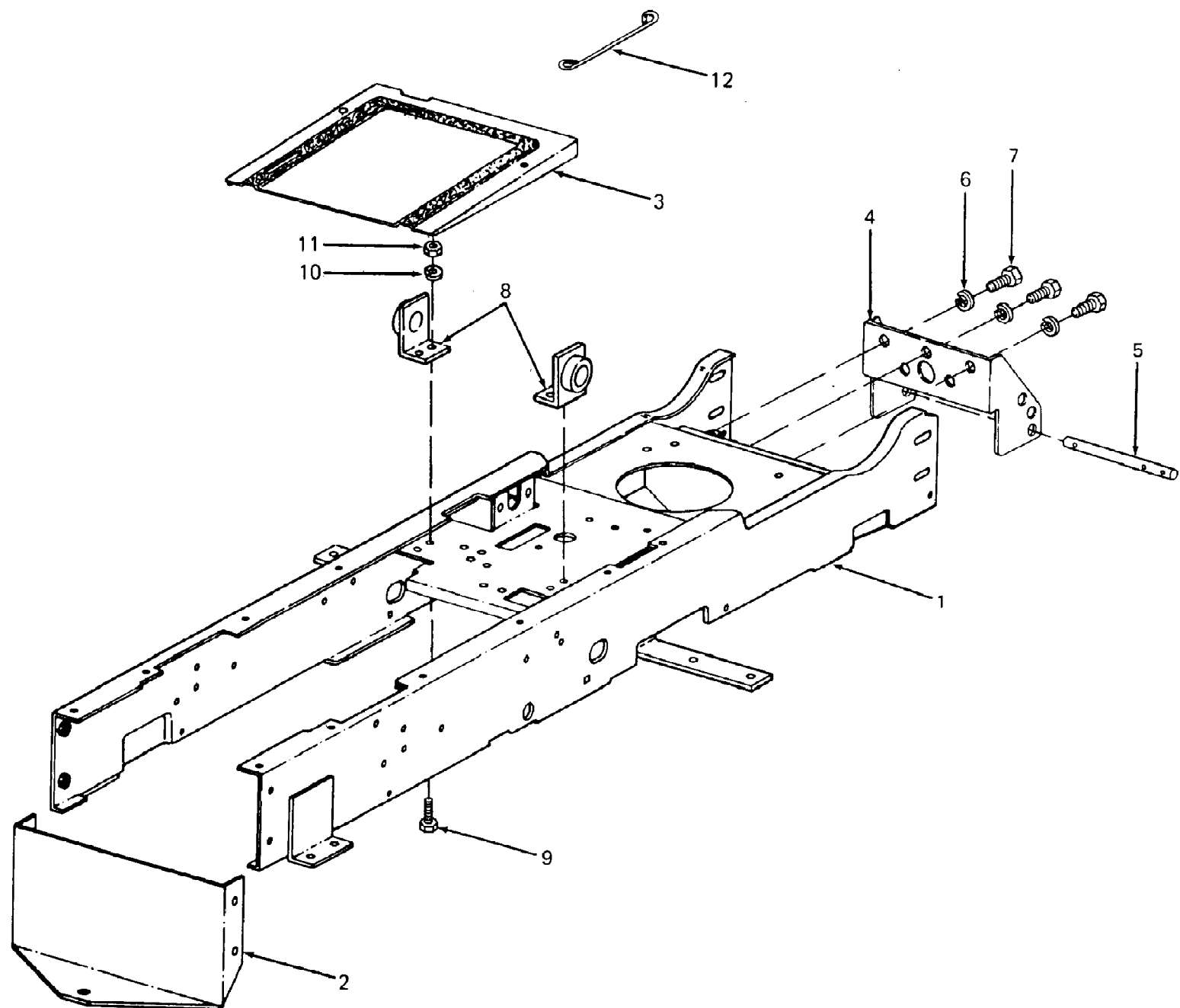
Ref #	Part Number	Qty	S/P/F	Description
1	703-1525	1		Box, Fender Mounting
2	703-1719	2		Plate, Reinforcement
3	731-3082A	2		Tray, Battery
4	736-0159	4	S	Washer, Flat, .344 X .875 X .06 Thk
5	736-0119	2	S	Washer, Lock, 5/16
6	710-0650	3	/P	Screw, Hex Wash Hd Tapp, 5/16-18 X .88 Lg
7	747-3014	1	/P	Rod, Belt Guide
8	736-0231	3	S	Washer, Flat, .344 X 1.12 X .12 Thk
9	736-0242	1	/P	Washer, Bell, .345 X .88 X .06 Thk
10	712-3068	2	S	Nut, Hex Patch Lock, 5/16-18
11	710-3008	2	/P	Screw, Hex Cap, 5/16-18 X .75 Lg GR5
12	747-3030	1	/P	Guide, Transmission Belt
13	710-0376	1	/P	Screw, Hex Cap, 5/16-18 X 1.0 Lg GR5
14	736-3007	1		Washer, Int Ext Lock, 5/16 X 7/8
15	712-3010	1	S	Nut, Hex, 5/16-18 GR5
16	730-3000	2	S	Reflector
17	703-1574	1		Fender
18	703-1575	1		Foot Rest - LH
19	703-1576	1		Foot Rest - RH
20	723-3056	1		Pad, LH - Foot Rest
21	723-3057	1		Pad, RH - Foot Rest
22	710-0604	4	S	Screw, Hex Wash Hd Tapp, 5/16-18 X .62 Lg
23	712-3009	4	S	Nut, Hex Center Lock, 5/16-18 GR5
24	736-0270	8	/P	Washer, Bell, .265 X .75 X .062 Thk
25	712-0287	8	S	Nut, Hex, 1/4-20
26	710-0286	8	/P	Screw, Truss Mach, 1/4-20 X .50 Lg
27	731-3083	1		Cover, Battery

1415 S/N 147,088 - 170,600
Flywheel



1415 S/N 147,088 - 170,600
Flywheel

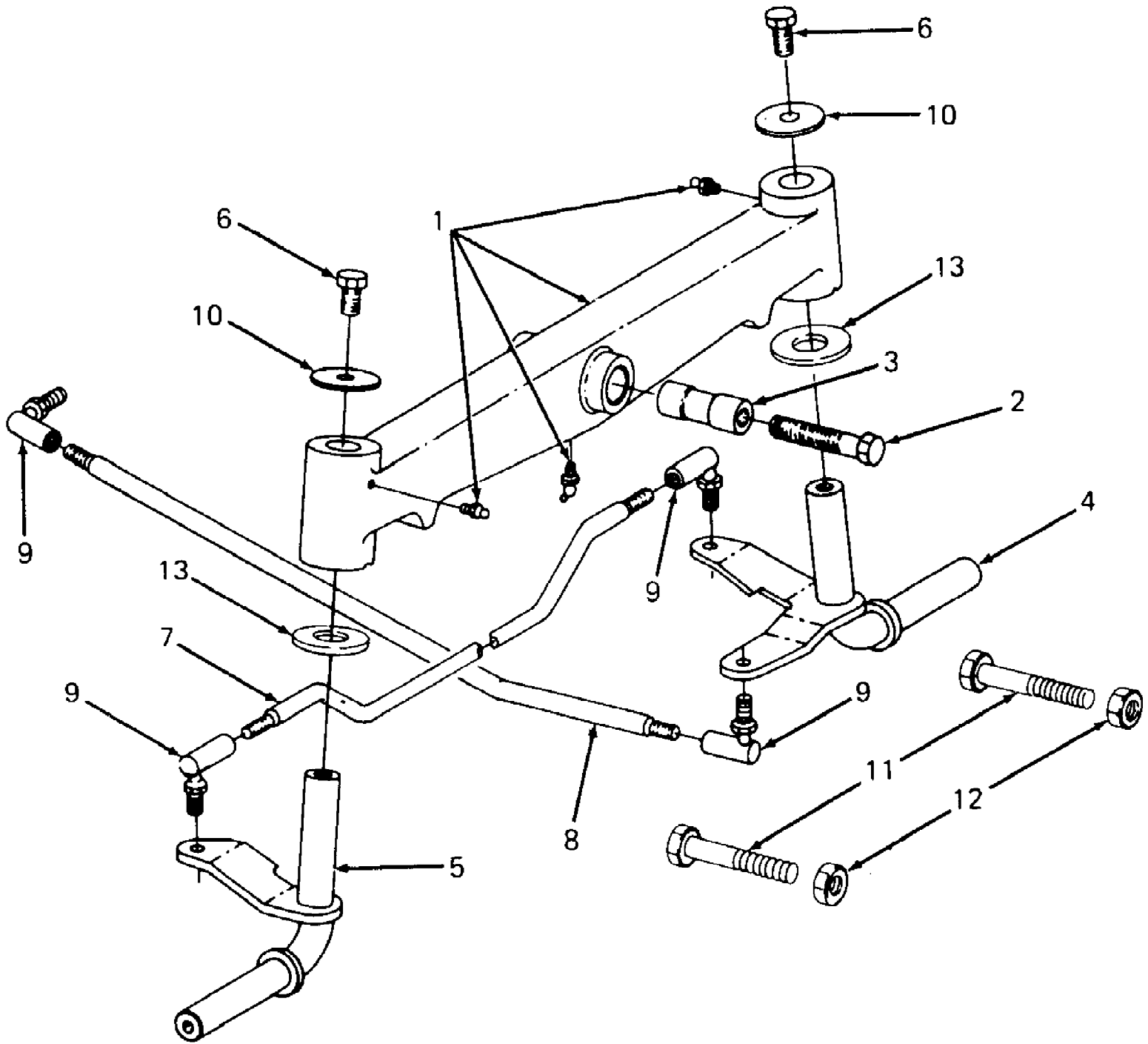
Ref #	Part Number	Qty	S/P/F	Description
1	KH-25-162-01	1		Screen, Grass
2	KH-25-086-21	4		Screw, Hex Wash Hd, 1/4-20 X 5/8
3	KH-25-112-04	4		Spacer, 1/8
4	KH-25-157-01	1		Fan
5	KH-25-086-24	1		Screw, Hex Mach, 3/8-24 X 1-1/4
6	KH-52-468-15	1	S	Washer, Plain, 3/8 in. I.D. X 1-3.8 in. O.D.
7	KH-X-286-17	1	/P	Key, Square, 3/16 X 7/8
8	KH-52-025-36	1		Flywheel



1415 S/N 147,088 - 170,600
Frame & Drawbar

Page 32 of 69

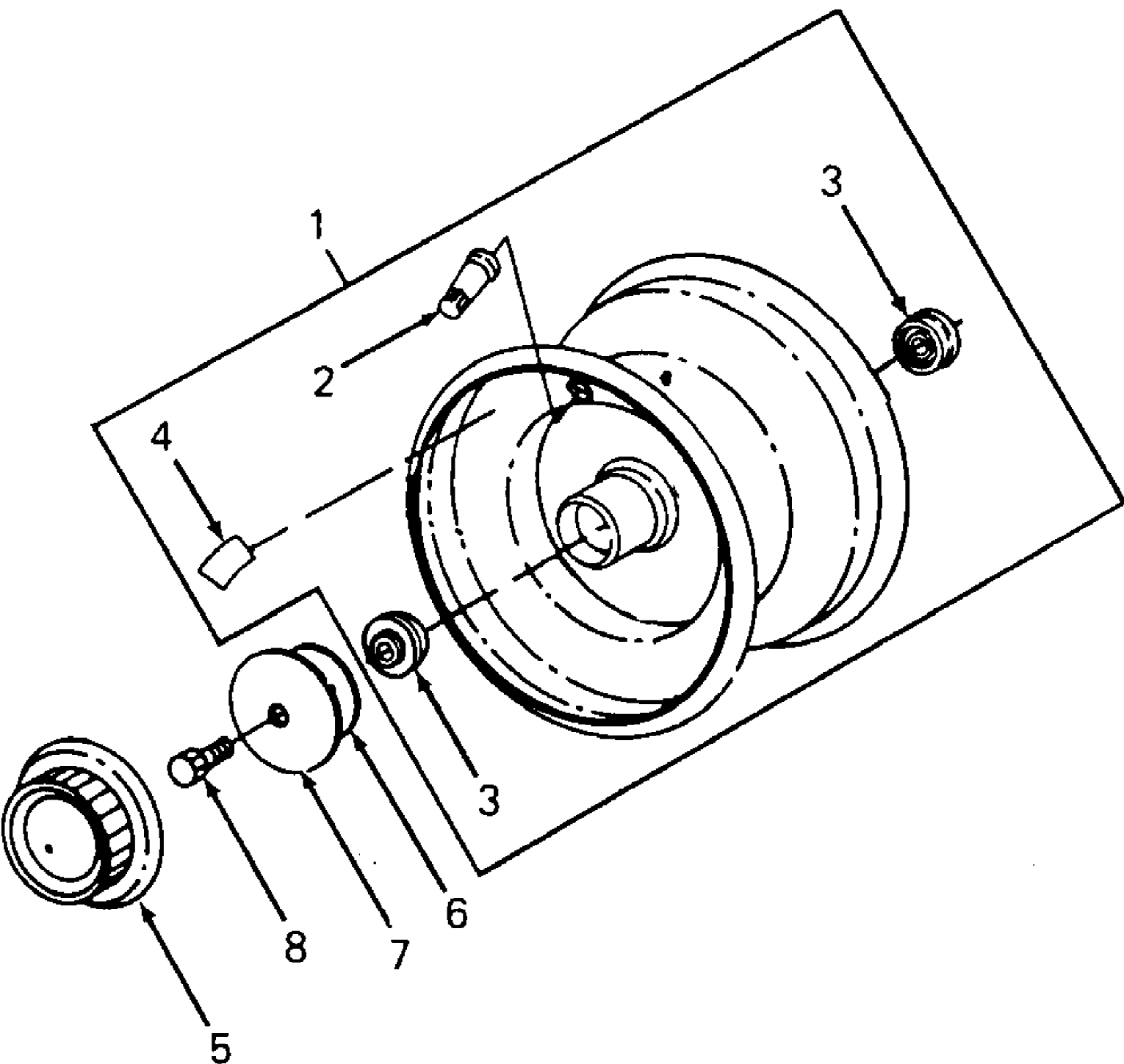
Ref #	Part Number	Qty	S/P/F	Description
1	703-1550	1		Frame
2	703-1119	1	S	Drawbar
	710-3000	4	S	Screw, Hex Cap, 3/8-16 X .75 Lg GR5
	736-0169	4	S	Washer, Lock, 3/8
3	759-3457	1	S	Cover, Frame w/Graphic
	779-3431	1		Graphic, Caution
	710-3149	2		Screw, #10 AB X 1.0 Lg Oval Hd Cnt Snk
	726-3039	2		Nut, Speed
4	703-1288A	1	S	Bracket, Front Deck
5	703-1297	1		Rod, Deck Support
	736-0272	3	S	Washer, Flat, .510 X 1.0 X .06 Thk
	714-0149B	3	S	Pin, Internal Cotter
6	736-0169	3	S	Washer, Lock, 3/8
7	710-3000	3	S	Screw, Hex Cap, 3/8-16
8	703-1535	2		Bracket, Lift Shaft
9	710-3008	4	/P	Screw, Hex Cap, 5/16-18 X .75 Lg GR5
10	736-0119	4	S	Washer, Lock, 5/16
11	712-3010	4	S	Nut, Hex, 5/16-18
12	747-3106	1		Rod, Link Retaining
	736-0206	2	S	Washer, Flat, .378 X 1.0 X .125 Thk
	712-3005	2	S	Nut, Hex Flange Lock, 3/8-16 GR5



1415 S/N 147,088 - 170,600
Front Axle & Connections

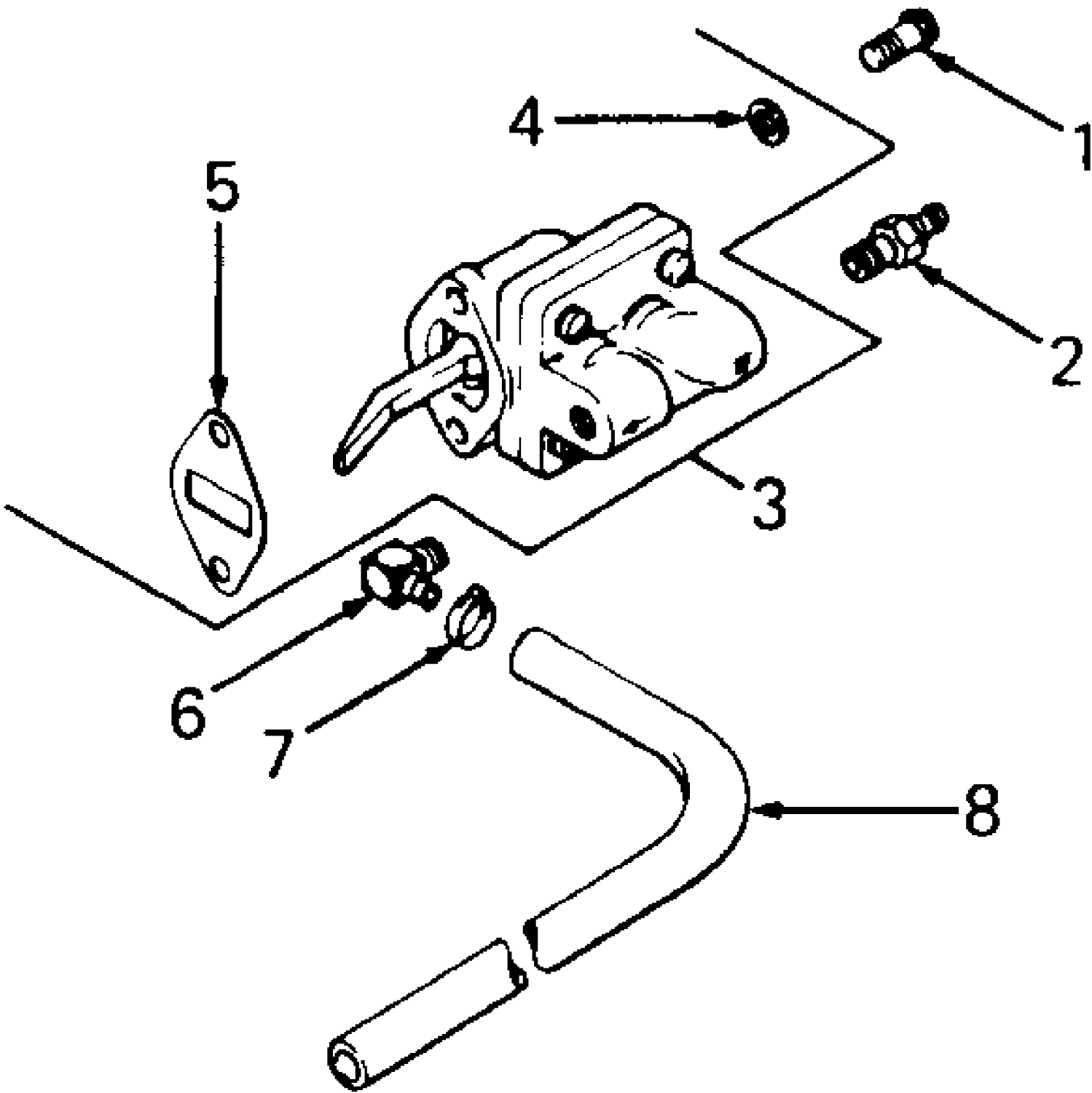
Page 34 of 69

Ref #	Part Number	Qty	S/P/F	Description
1	759-3269	1	S	Axle, Front
	737-3000	3	S	Fitting, Lube, 3/16 Drive Type
2	710-3161	1		Bolt, 1/2-20 X 4.0 Lg GR5
	712-3012	1	S	Nut, Castle, 1/2-20
	714-0470	1	S	Pin, Cotter, 1/8 X 1-1/4
3	711-3220	1		Bushing, Axle Pivot
4	703-1252	1	S	Knuckle Assy, LH
5	703-1253	1	/P	Knuckle Assy, RH
6	710-3000	2	S	Bolt, 3/8-16 X 3/4 Lg GR5
7	711-3205	1		Link, Drag
	712-3001	2	S	Nut, Jam, 3/8-24 GR5
8	711-3153	1		Link, Drag
	712-3001	2	S	Nut, Jam, 3/8-24 GR5
9	723-3018	4	S	Joint, Ball, 3/8-24 Type G
	712-3001	4	S	Nut, Jam, 3/8-24 GR5
	736-0169	4	S	Washer, Lock, 3/8
10	736-3039	1	S	Washer, .406 X 1.50 X 11 ga.
11	710-3179	2		Bolt, 3/8-16 X 1.25 GR5
12	712-3017	2	S	Nut, 3/8-16 GR5
13	736-0188	2	/P	Washer, .79 X 1.49 X .06 Hdn



1415 S/N 147,088 - 170,600
 Front Wheel

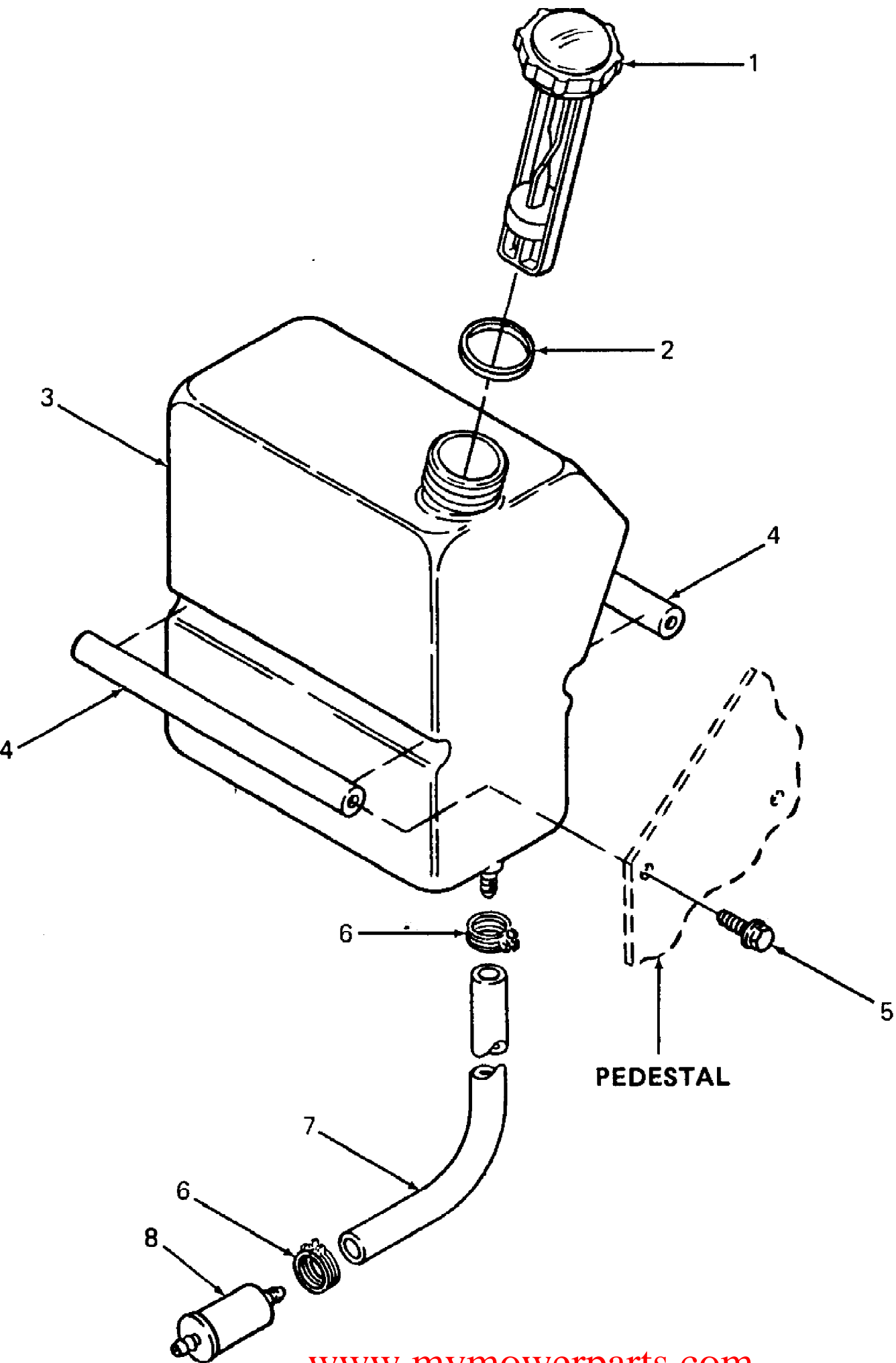
Ref #	Part Number	Qty	S/P/F	Description
	734-3061	2	S	Tire, Soft Trac, 15 X 6
1	734-3070	2	S	Wheel Assy, Front [Includes Ref No. 2, 3 (Qty 2) & 4]
2	734-3068	2	S	Valve, Tubeless Air
3	741-3032	4	S	Bearing, Ball
4	777-5883	2		Label, Inflation
5	731-3020	2	S	Cap, Hub
6	736-3039	2	S	Washer, Flat, .406 X 1.5 X .110 Thk
7	736-3040	2	/P	Washer, Flat, .406 X 1.92 X .06 Thk
8	710-3119	2	/P	Bolt, Hex Patch, 3/8-16 X .75 Lg GR5



1415 S/N 147,088 - 170,600
Fuel Pump

Page 38 of 69

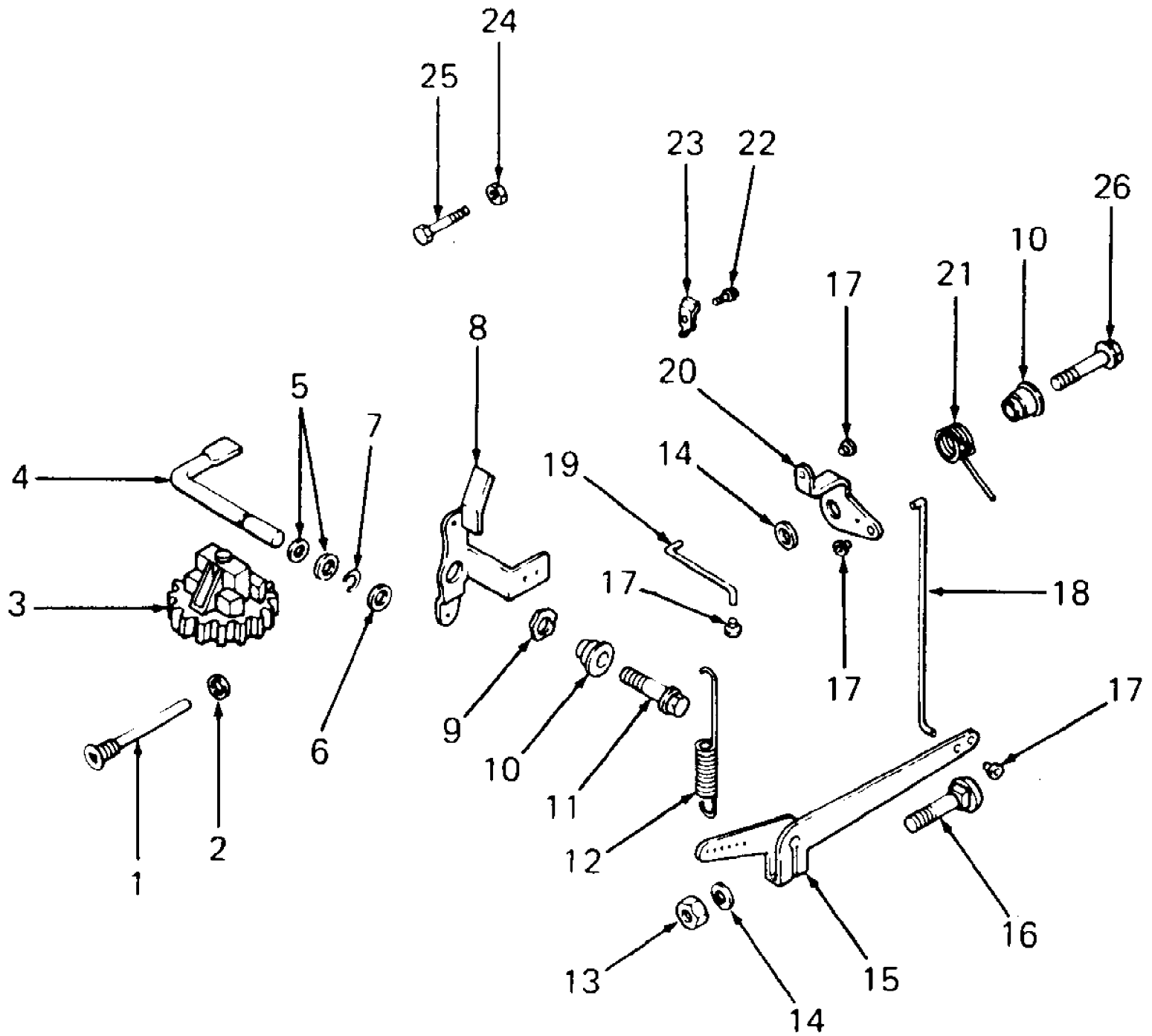
Ref #	Part Number	Qty	S/P/F	Description
1	KH-47-086-08	2		Screw, Pozidriv T.H., 1/4-20 X 5/8
2	KH-X-380-1	1	S	Connector, Straight Hose
3	KH-52-559-01	1	S	Fuel Pump Assy [Includes Ref No. 4 (Qty 2) & 5]
4	KH-X-25-63	2	/P	Washer, Plain, 1/4
5	KH-52-041-17	1		Gasket, Fuel Pump
6	KH-25-155-02	1	/P	Connector, 90 Hose
7	KH-X-426-9	2	S	Clamp, Hose
8	KH-52-353-18	1		Line, Fuel, 1/4 in. I.D. X 9 in. Lg



1415 S/N 147,088 - 170,600
 Fuel Tank

Ref #	Part Number	Qty	S/P/F	Description
1	751-0226	1	S	Cap w/Gauge, Fuel
2	723-3003	1	/P	Gasket, Fuel Tank Cap
3	751-3070B	1	S	Tank, Fuel
4	749-3019	2		Tube, 11.27 Lg
5	710-0603	4	/P	Screw, Hex Wash Hd B Tapp, 5/16-18 X .50 Lg
6	726-0205	2	/P	Clamp, Hose
7		1		Line, Fuel, 20 in. Lg (Order Bulk Fuel Line Part No. 759-3330, 10 Ft Lg)
8	KH-25-050-01	1	S	Filter, Fuel
	759-3330	1	/P	Bulk Fuel Line 10 Ft. Lg.

1415 S/N 147,088 - 170,600
Governor

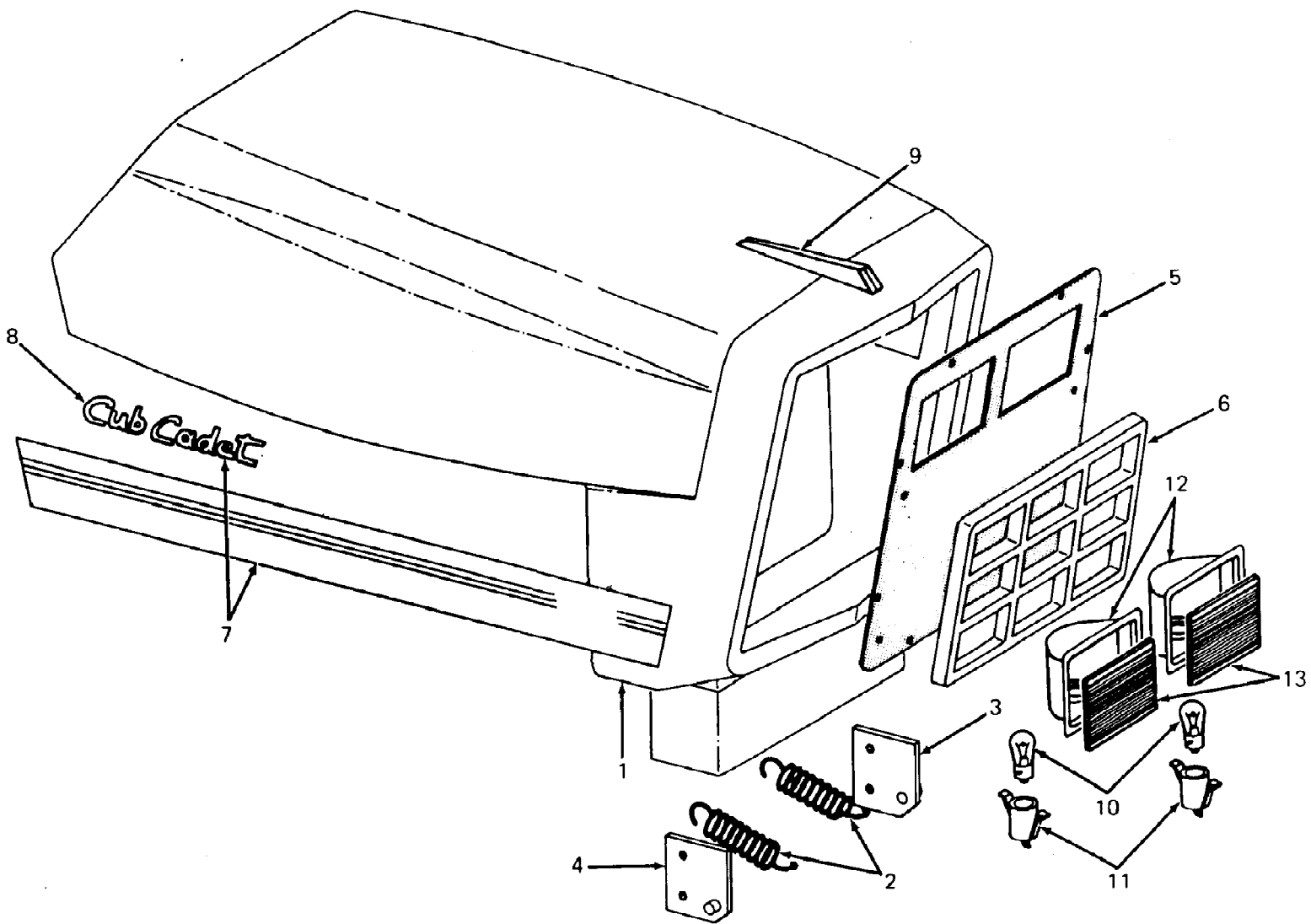


1415 S/N 147,088 - 170,600
Governor

Page 42 of 69

Ref #	Part Number	Qty	S/P/F	Description
1	KH-231355	1	S	Pin, Governor Stop
2	KH-X-25-12	1	/P	Washer, Plain, 1/4
3	KH-A-235743-S	1	/P	Governor Gear Kit
4	KH-52-078-04	1	S	Shaft, Governor Cross
5	KH-X-25-102	2	S	Washer, Plain, 1/4
6	KH-X-25-63	1	/P	Washer, Plain, 1/4
7	KH-X-269-28	1		Retainer, Governor
8	KH-52-090-18	1		Lever, Speed Control
9	KH-277341	1		Washer, Tension
10	KH-52-158-07	2		Bushing
11	KH-25-086-15	2		Screw, Hex Wash Hd, 1/4 X 20 X 1
12	KH-52-089-07	1		Spring, Governor
13	KH-X-81-1	1		Nut, Hex, 1/4-20
14	KH-X-25-72	2		Washer, Plain, 1/4
15	KH-52-186-09	1		Arm, Governor
16	KH-52-211-04	1		Bolt, RH Sq Neck, 1/4-20 X 1
17	KH-25-158-08	4	/P	Bushing
18	KH-52-079-07	1	S	Linkage, Governor
19	KH-52-079-06	1		Linkage, Throttle
20	KH-52-090-14	1		Lever, Throttle
21	KH-52-089-08	1		Spring, Torsion
22	KH-X-67-97	1	S	Screw, Hex Wash Hd, 10-24 X 3/8
23	KH-235778	1		Clamp
24	KH-X-70-3	1		Nut, Hex, 10-32
25	KH-52-086-05	2		Screw, Hex Wash Hd, 10-32 X 9/16
26	KH-25-086-21	1		Screw, Hex Wash Hd, 1/4-20 X 5/8

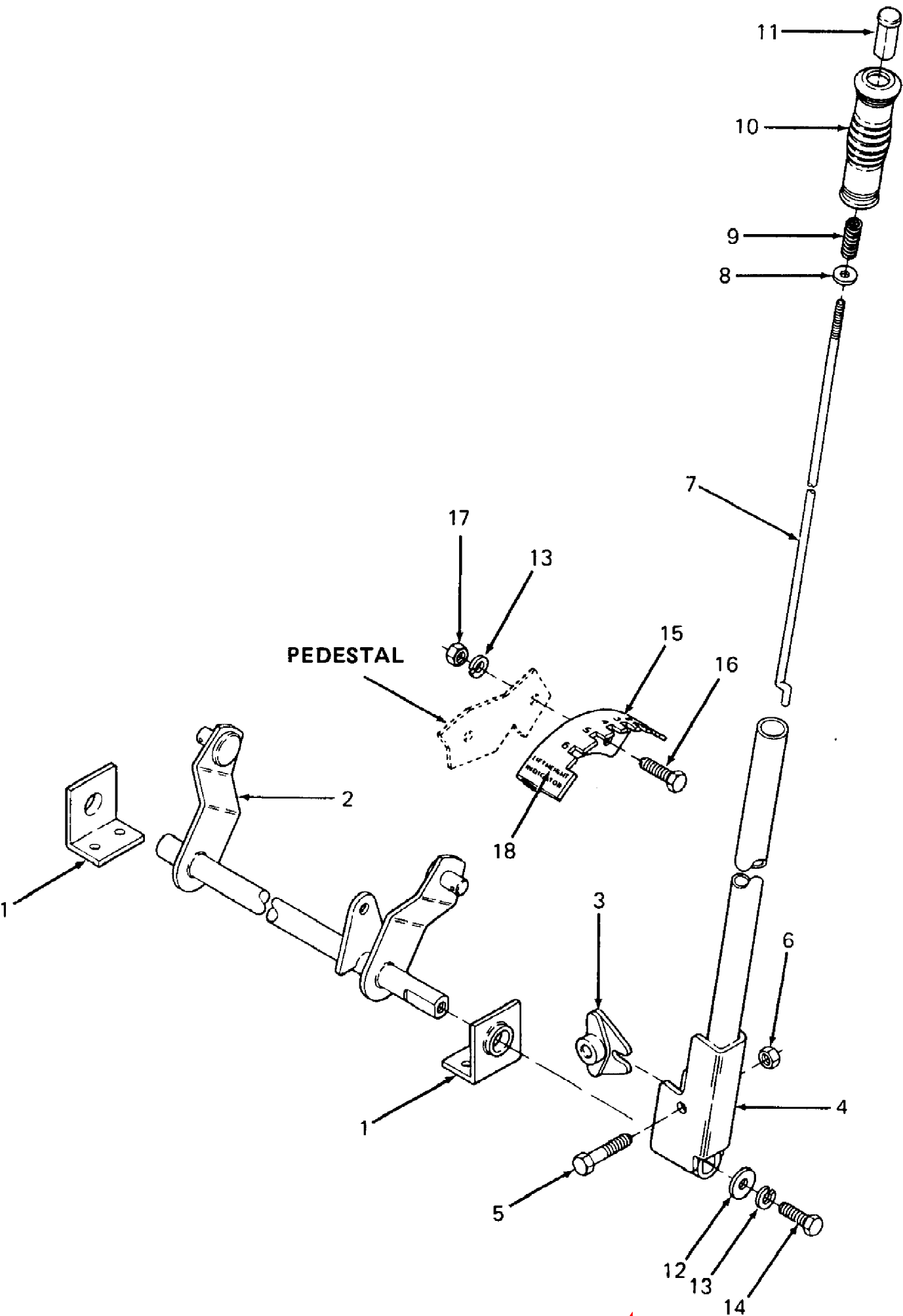
1415 S/N 147,088 - 170,600
Hood & Grille



1415 S/N 147,088 - 170,600
Hood & Grille

Page 44 of 69

Ref #	Part Number	Qty	S/P/F	Description
1	759-3234	1		Hood & Grille Assy (Includes Ref No. 9)
2	732-3048	2		Spring, Extension
3	703-1215	1		Plate, Hood LH
	710-3008	2	/P	Bolt, 3/8 X 3/4 GR5
4	703-1216	1		Plate, Hood RH
	710-3008	2	/P	Bolt, 3/8 X 3/4 GR5
5	703-1159	1	S	Screen, Grille
	710-0227	8	/P	Screw, No. 8 X 1/2 Hex- Washer-Hd Tap
6	731-3051	1		Insert, Grille
	726-3040	4	/P	Nut, No. 10 C-Z Stamped
7	759-3407	1		Graphic, Hood Decal Set (Model 1415) [Includes Ref No. 8 (Qty 2)]
8	731-3053A	2	S	Graphic, Cub Cadet Script w/Adhesive
9	731-3059	1		Ornament, Hood (Included w/Ref No. 1)
10	725-0963	2	S	Bulb, 12V GE-1156
11	725-1058	2	S	Socket, Twist Lock Lamp
12	731-0705	2	S	Housing, Headlight
13	731-0706	1	S	Lens, Sq-Headlight

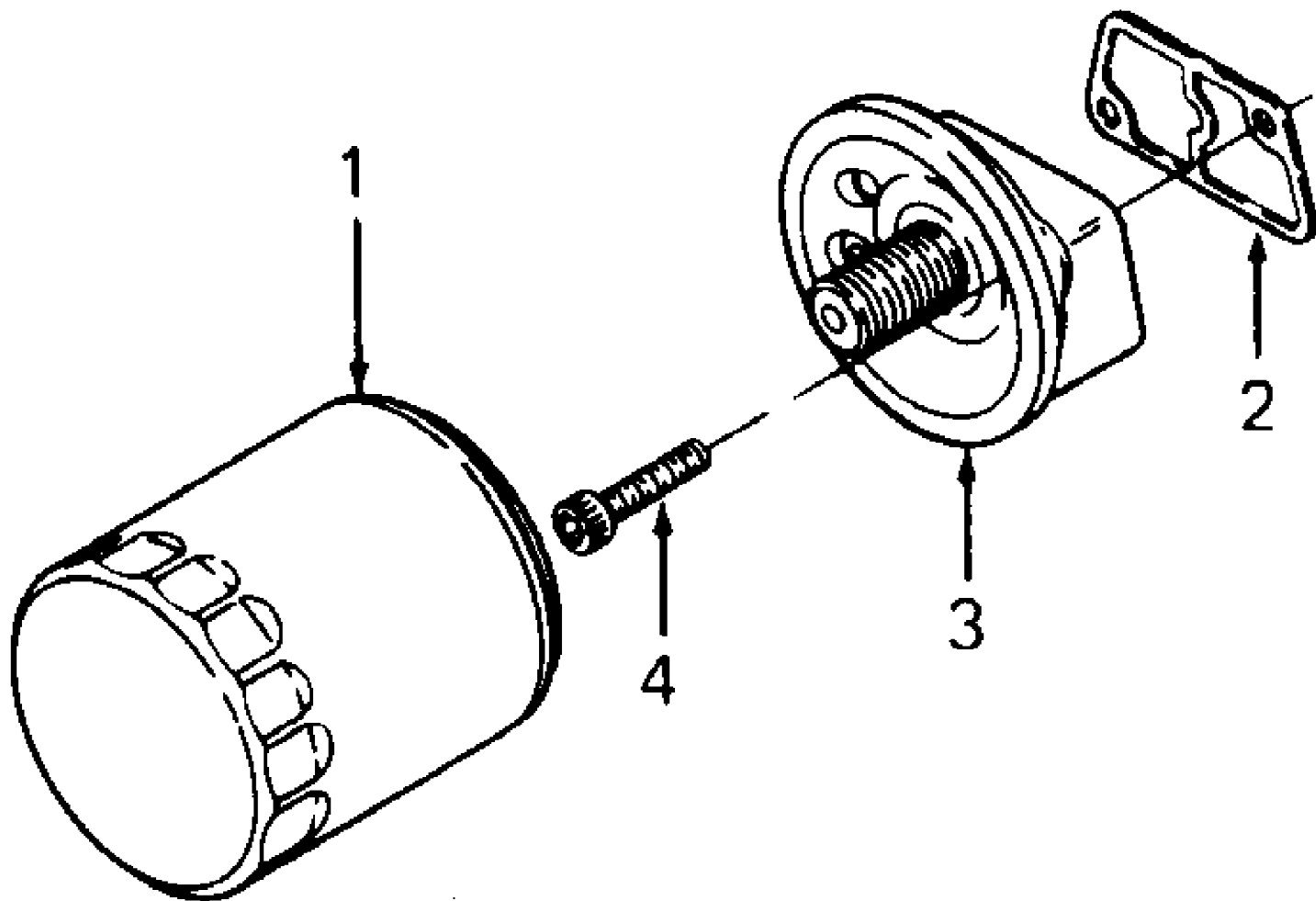


1415 S/N 147,088 - 170,600
Implement Lift Handle

Page 46 of 69

Ref #	Part Number	Qty	S/P/F	Description
1	703-1535	2		Bracket, Lift Shaft
	710-3008	4	/P	Screw, Hex Cap, 5/16-18 X .75 Lg GR5
	736-0119	4	S	Washer, Lock, 5/16
	712-3010	4	S	Nut, Hex, 5/16-18 GR5
2	703-1578	1		Shaft Assy, Lift
3	759-3495	1	S	Kit, Index Pawl
4	703-1592	1		Handle, Lift
5	710-3191A	1	/P	Screw, Hex, 3/8-16 X 1.62 Lg
6	712-0262	1	/P	Nut, Hex Center Lock Jam, 3/8-24
7	747-3126A	1		Rod, Index
8	736-3090	1	/P	Washer, Flat, .260 X .720 X .06
9	732-0335	1		Spring
10	720-3007	1	S	Grip, Lift Handle
11	711-0642A	1	/P	Button, Handle
12	736-3089	1	/P	Washer, Flat, .345 X 1.0 X .100 Thk
13	736-0119	3	S	Washer, Lock, 5/16
14	710-0157	1	/P	Screw, Hex Cap, 5/16-24 X .75 Lg
15	703-1577	1	S	Bracket, Indicator
16	710-0759	2		Screw, Hex Cap, 5/16-18 X .62 Lg
17	712-3010	2	S	Nut, Hex, 5/16-18 GR5
18	779-3427	1		Label, Height Indicator

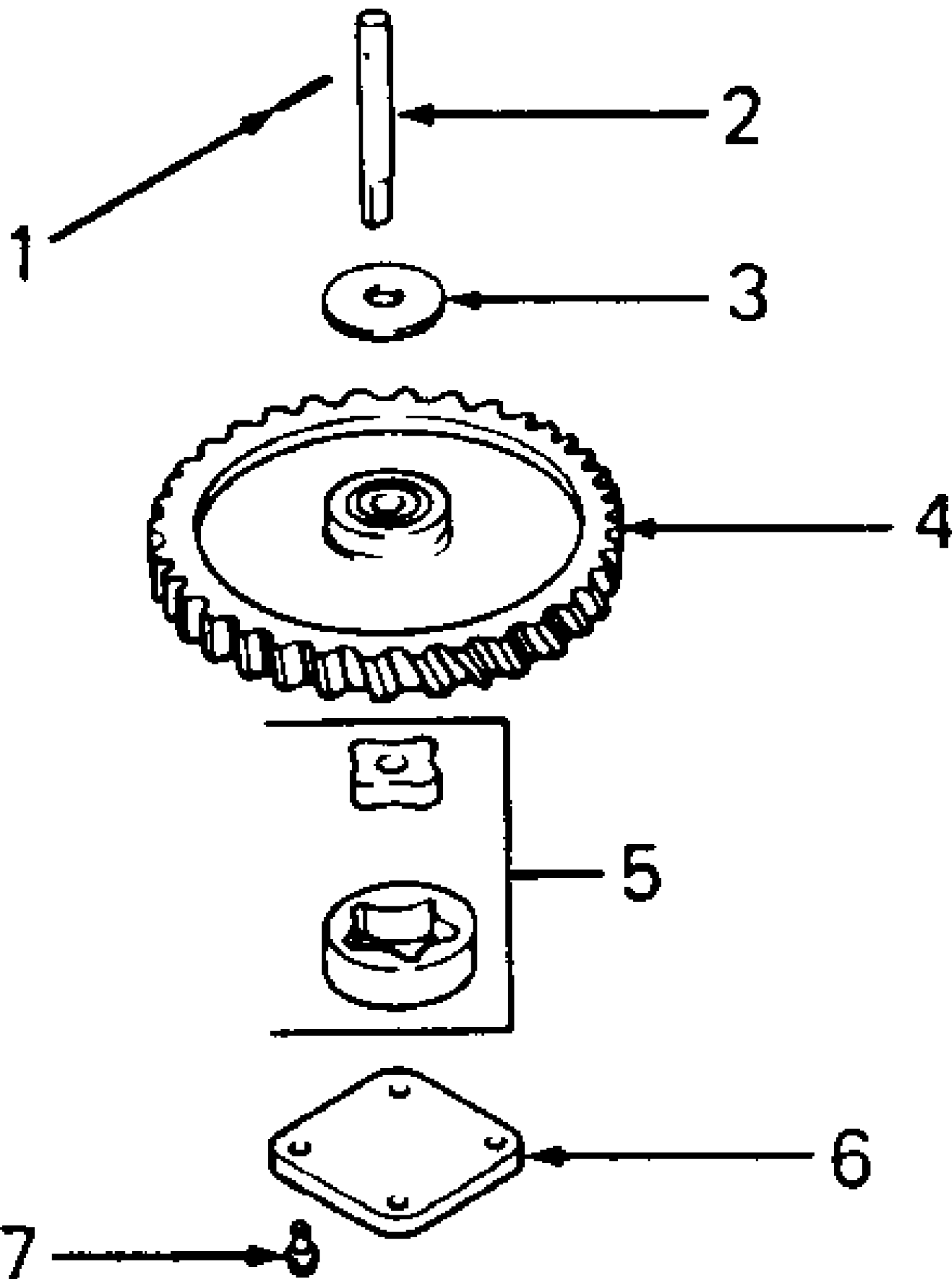
1415 S/N 147,088 - 170,600
Oil Filter



1415 S/N 147,088 - 170,600
Oil Filter

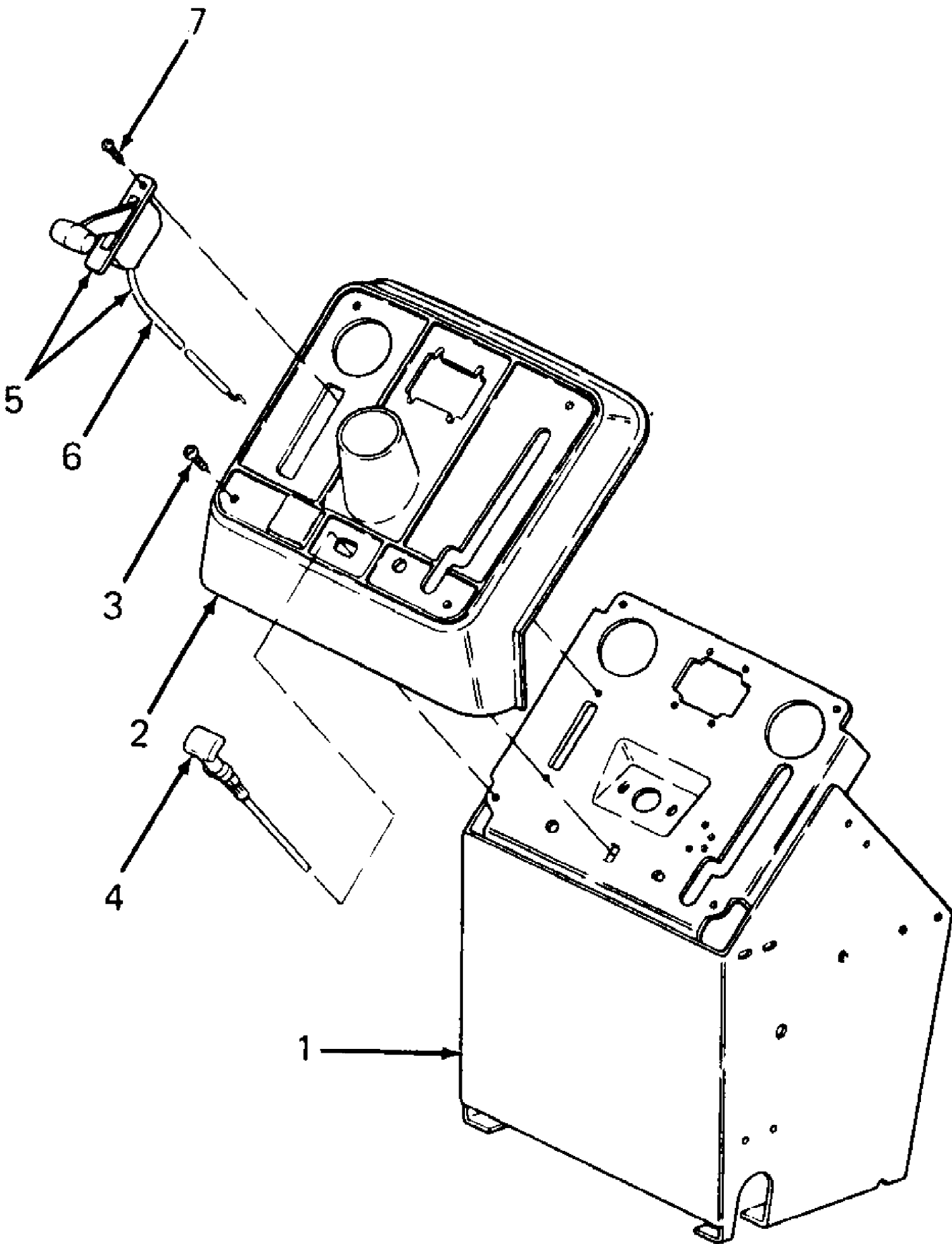
Ref #	Part Number	Qty	S/P/F	Description
1	KH-52-050-02	1	S	Filter, Oil
2	KH-52-041-16	1	/P	Gasket
3	KH-52-181-02	1		Base, Filter
4	KH-X-55-15	2		Screw, Hex Socket Hd, 5/16-18 X 1.25

1415 S/N 147,088 - 170,600
Oil Pump



1415 S/N 147,088 - 170,600
Oil Pump

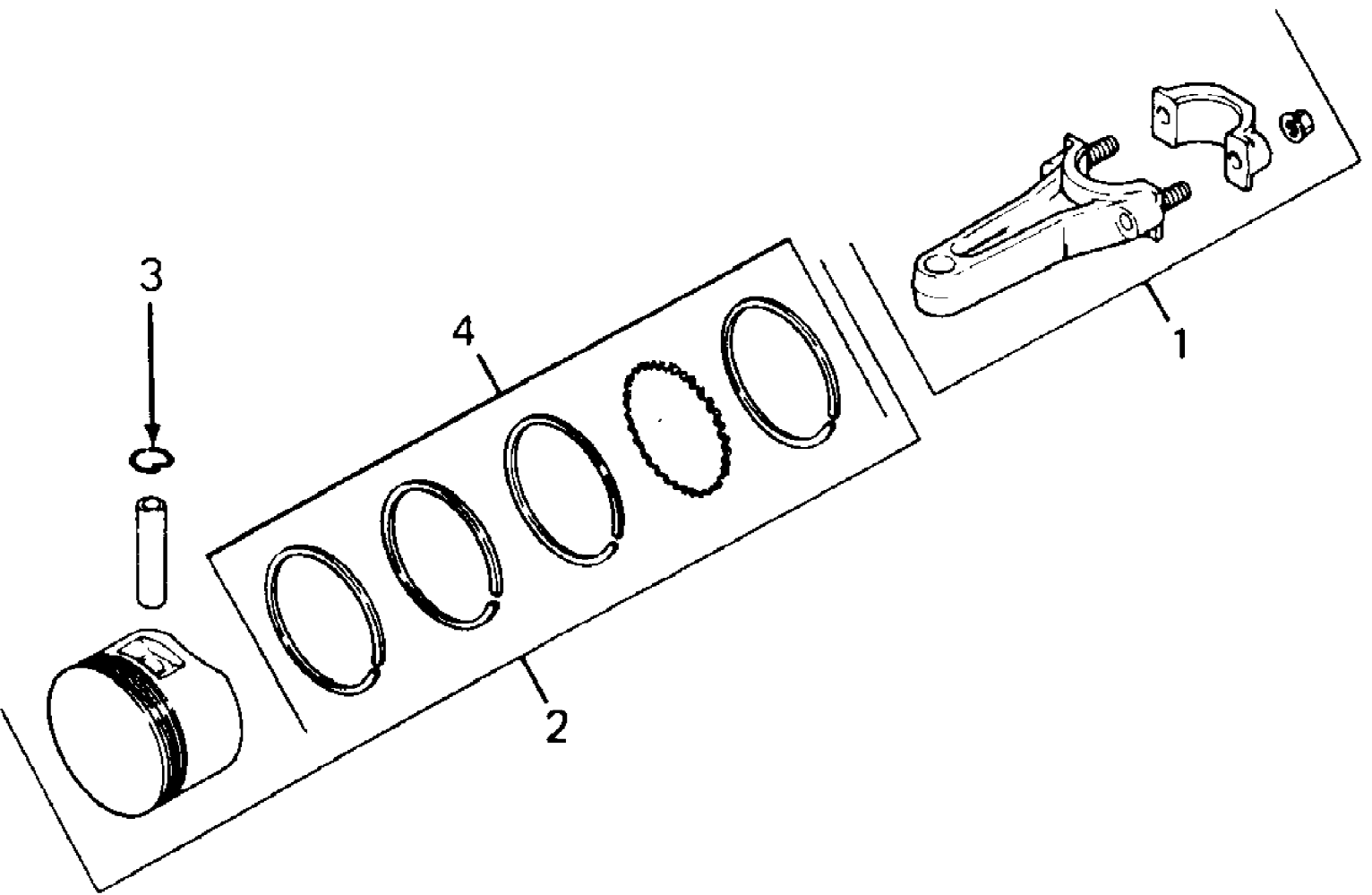
Ref #	Part Number	Qty	S/P/F	Description
1	KH-X-280-25	1		Pin, Roll
2	KH-52-144-05	1	/P	Shaft, Oil Pump
3	KH-52-422-01	AR	/P	Spacer (Maximum 2)
4	KH-52-043-05	1	S	Gear, Oil Pump
5	KH-52-393-09	1	/P	Rotor Set
6	KH-52-096-03	1		Cover, Oil Pump
7	KH-X-67-64	4	S	Screw, Hex Wash Hd, 10-32 X 7/16



1415 S/N 147,088 - 170,600
 Pedestal, Engine Controls & Instrument Panel

Ref #	Part Number	Qty	S/P/F	Description
1	703-1527	1		Pedestal
	710-0514	1	/P	Screw, Hex Cap, 3/8-16 X 1.0 Lg GR5
	710-3005	4	/P	Screw, Hex Cap, 3/8-16 X 1.25 Lg GR5
	726-3028	5	S	Retainer, Push-on Bolt, 3/8 ID
	736-0169	1	S	Washer, Lock, 3/8
	736-0206	4	S	Washer, Flat, .378 X 1.0 X .125 Thk
	712-3017	1	S	Nut, Hex, 3/8-16 GR5
	712-3005	4	S	Nut, Hex Flange Lock, 3/8-16 GR5
2	731-3075	1	S	Panel, Dash
3	710-3009	4	/P	Screw, Pan Hd Cutting, #10-24 X .75 Lg
4	746-3022B	1	S	Control, Choke
5	746-3024	1	/P	Control Assy, Throttle - Complete (Includes Ref No. 6 & 7)
6	746-3023B	1	S	Wire, Throttle Control
7	710-0779A	1	/P	Screw, Truss Mach AB Tapp, #10 X .50 Lg

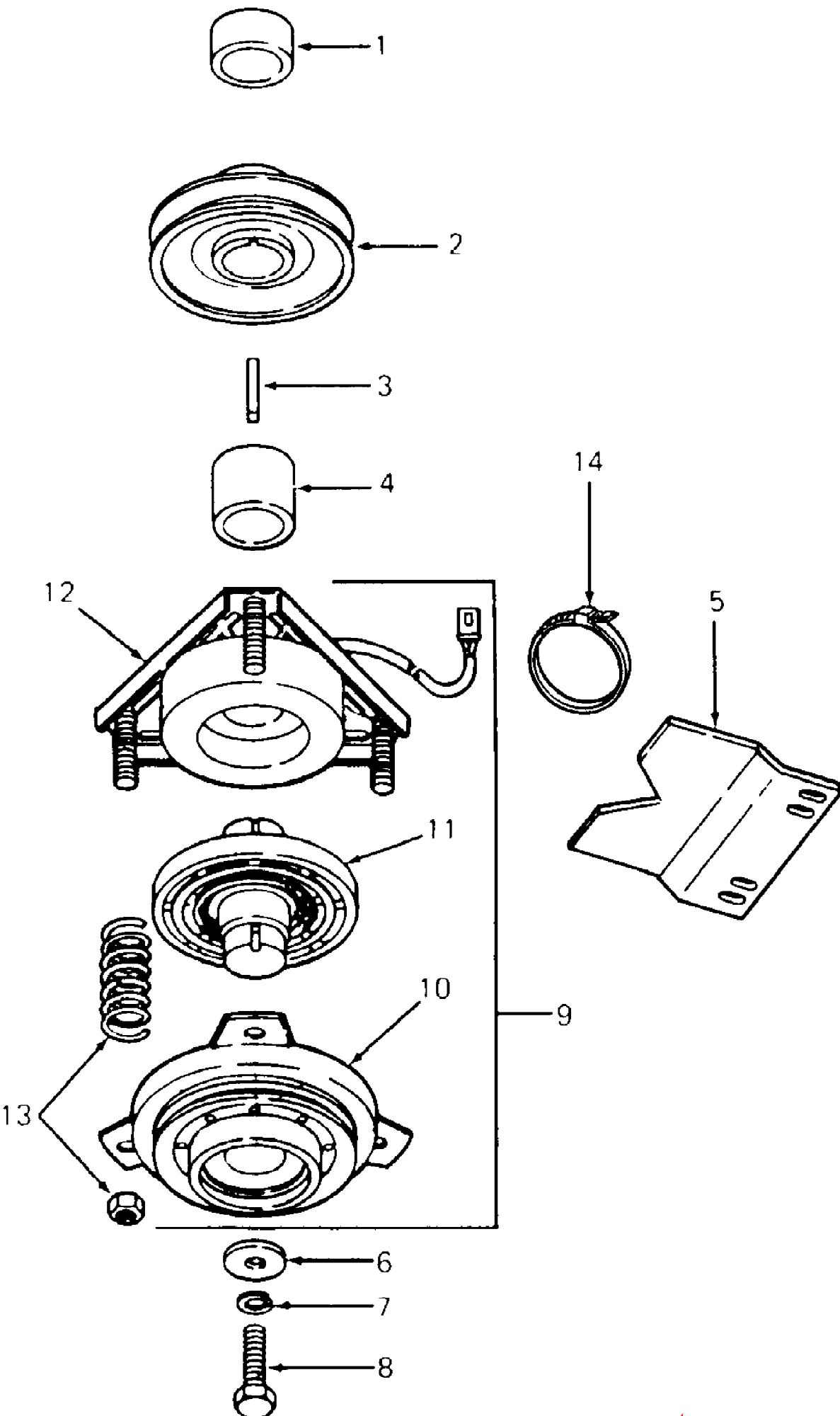
1415 S/N 147,088 - 170,600
Piston & Connecting Rod



1415 S/N 147,088 - 170,600
Piston & Connecting Rod

Ref #	Part Number	Qty	S/P/F	Description
1	KH-52-067-67	2	S	Connecting Rod Assy, Std
	KH-52-067-68	2	S	Connecting Rod Assy, .010
2	KH-52-874-11	2	/P	Piston Assy, Std [Includes Ref No. 4 (Qty 2)]
	KH-52-874-12	2		Piston Assy, .003 O.S.
	KH-52-874-13	2	/P	Piston Assy, .010 O.S.
	KH-52-874-14	2	S	Piston Assy, .020 O.S.
	KH-52-874-15	2	/P	Piston Assy, .030 O.S.
3	KH-230004	4	/P	Retainer, Piston Pin
4	KH-52-108-09	2	/P	Ring Set, Std .003
	KH-52-108-10	2	/P	Ring Set, .010 O.S.
	KH-52-108-11	2	/P	Ring Set, .020 O.S.
	KH-52-108-12	2		Ring Set, .030 O.S.

1415 S/N 147,088 - 170,600
PTO Clutch

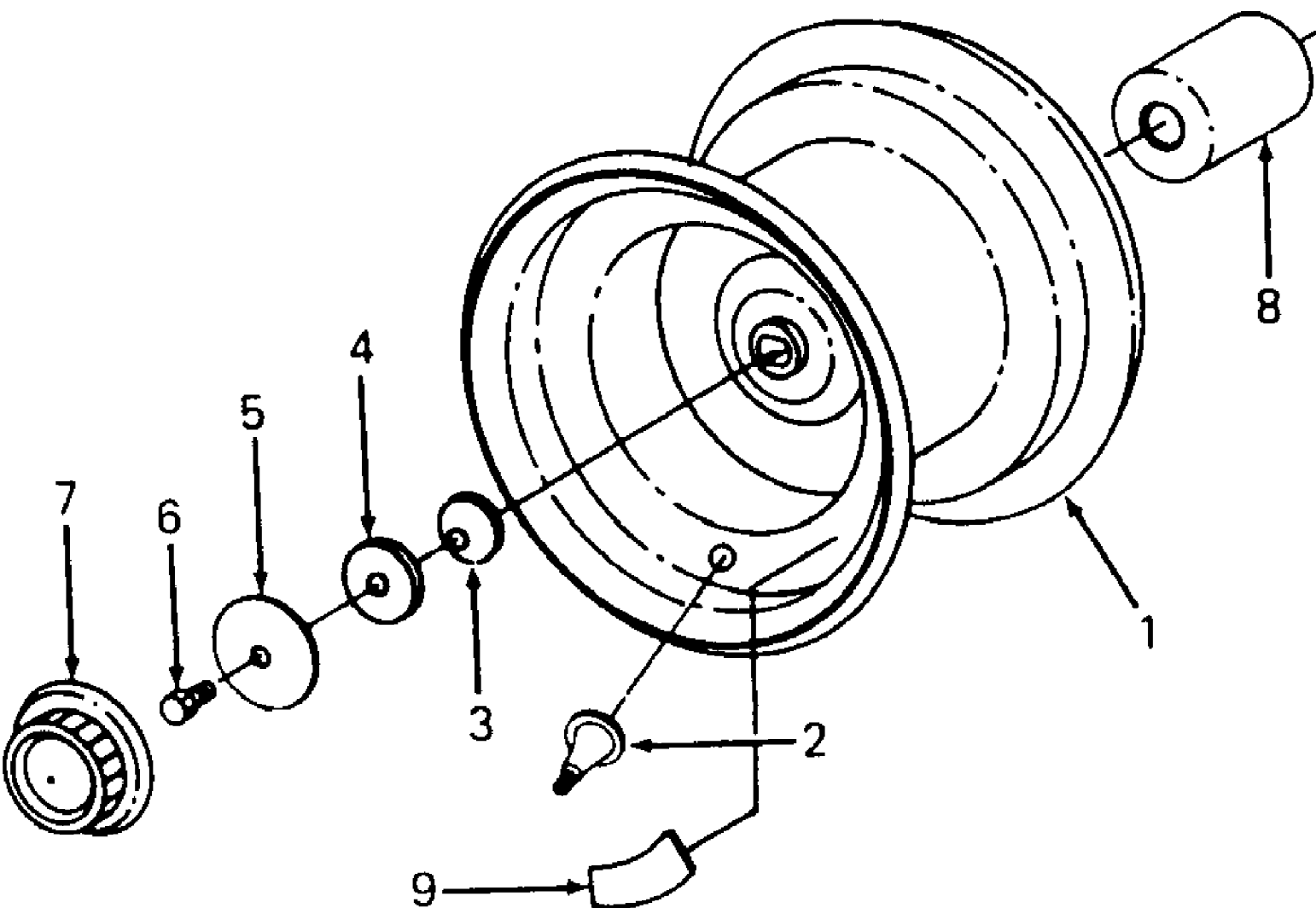


1415 S/N 147,088 - 170,600
PTO Clutch

Ref #	Part Number	Qty	S/P/F	Description
1	711-3179	1	S	Spacer, Engine Pulley
2	756-3033	1		Pulley, Engine (A sec. X 3.5 OD)
3	714-0119	1	S	Key, 1/4 X .75 Sq
4	711-3183	1		Bushing, 1.2 X 1.5 X .620
5	703-1146	1	S	Bracket, Torque
	736-0105	2	/P	Washer, Belleville, .400 X .88 X .06
	710-0514	2	/P	Bolt, 3/8-16 X 1.0 GR5
6	736-3082	1	S	Washer, .445 X 1.5 X .172
7	736-0171	1	S	Washer, Lock, 7/16
8	710-3157	1	S	Bolt, 7/16-20 X 3.25 GR5
9	717-3036	1	S	Clutch Assy, PTO
10	759-3229	1	S	Armature
11	759-3231	1		Rotor
12	759-3230	1		Field
13	759-3228	1		Mounting Accessories Hex Nuts Springs
14	725-0157	1	/P	Strap, Cable Tie

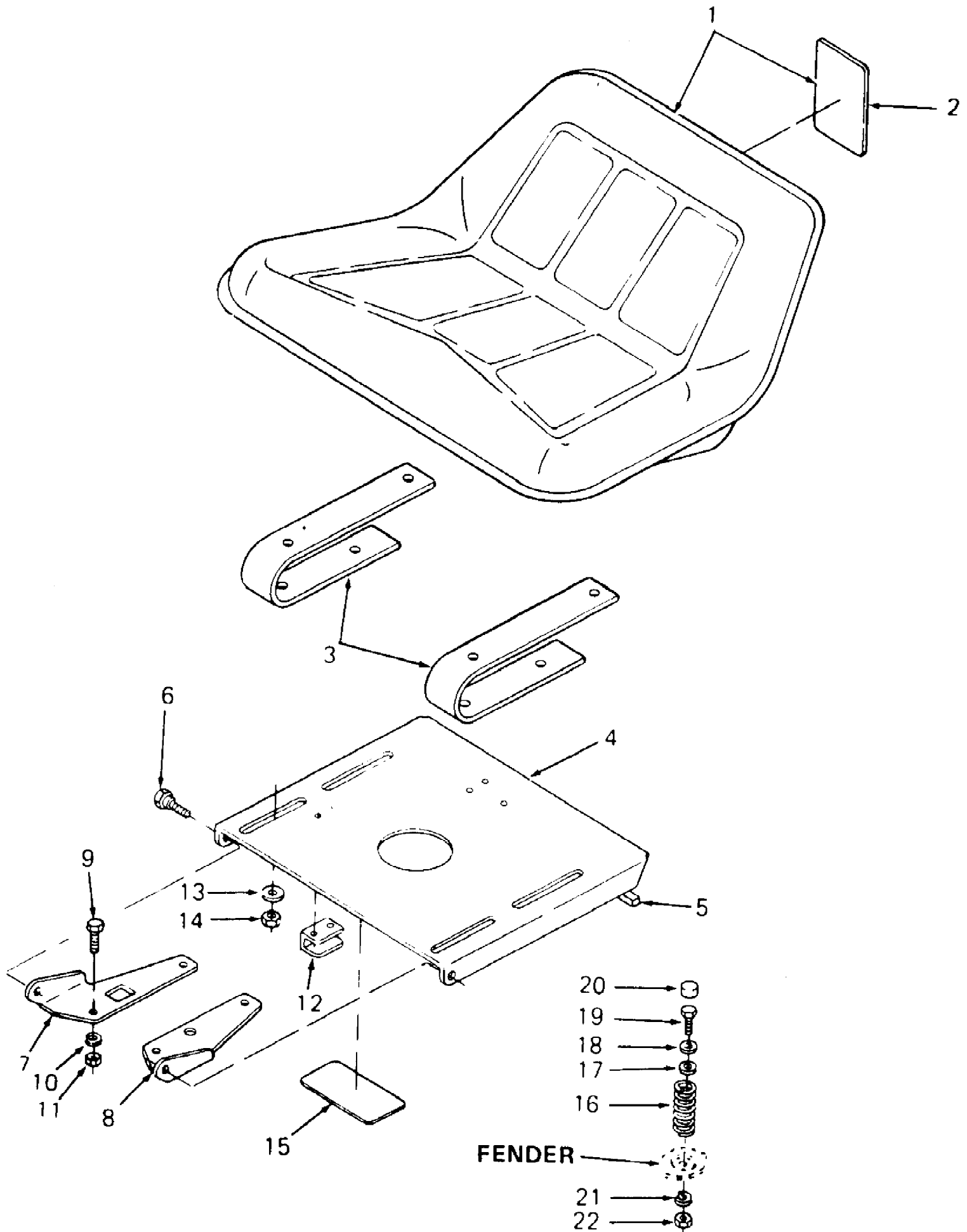
1415 S/N 147,088 - 170,600
Rear Wheel

Page 57 of 69



1415 S/N 147,088 - 170,600
Rear Wheel

Ref #	Part Number	Qty	S/P/F	Description
	734-1065	2	S	Tire, Soft Trac, 20 X 10 X 8
1	734-0764	2	S	Wheel Assy, Rear
2	734-3068	2	S	Valve, Tubeless Type
3	736-0242	2	/P	Washer, .345 X .88 Belleville
4	736-0231	2	S	Washer, .344 X 1.125 X .125
5	736-3040	2	/P	Washer, .406 X 1.92 X .06
6	710-3166	2	S	Bolt, 5/16 X 1 GR5
7	731-3020	2	S	Cap, Hub
8	731-3072A	2	/P	Spacer, Transmission
9	777-5883	1		Label, Inflation

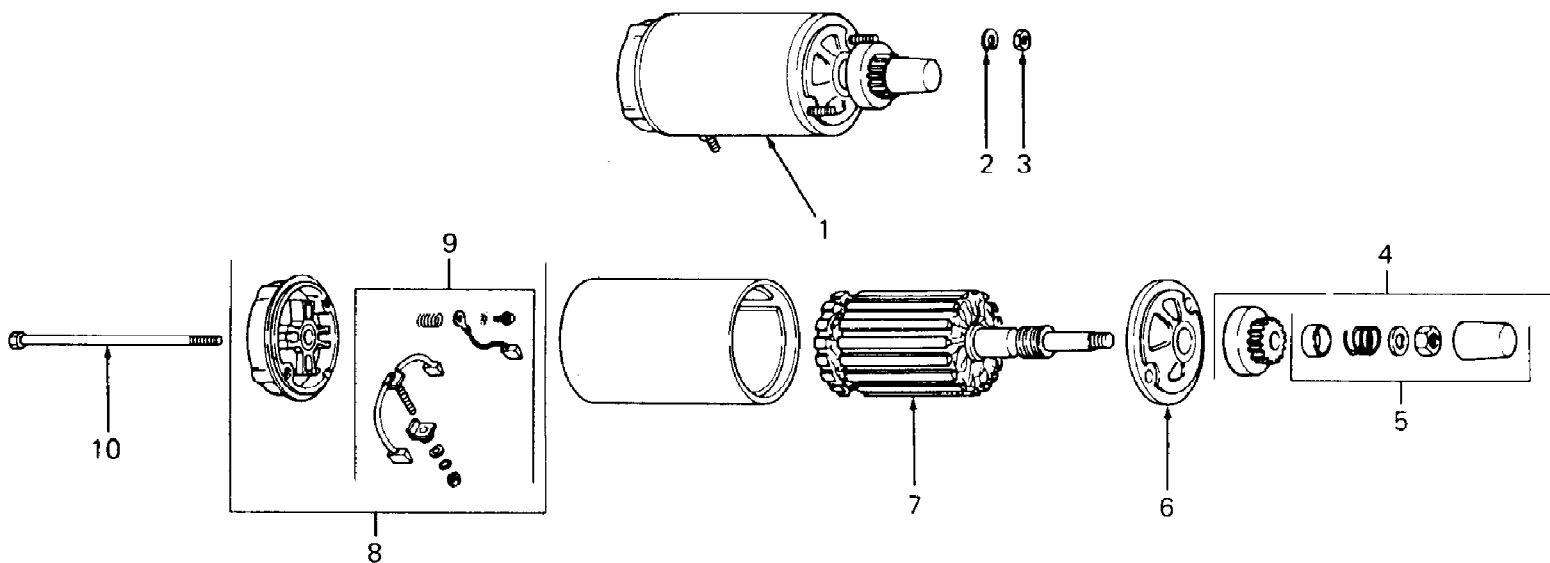


1415 S/N 147,088 - 170,600
Seat & Support

Page 60 of 69

Ref #	Part Number	Qty	S/P/F	Description
1	759-3416	1	S	Seat w/Graphic (Includes Ref No. 2)
	710-3008	4	/P	Screw, Hex Cap, 5/16 X 3/4 Lg GR5
	736-0242	4	/P	Washer, Belleville, .345 X .88 X .06
2	779-3348	1		Graphic, Caution
3	703-0068	2	/P	Spring, Seat
	710-3002	4	S	Screw, Hex Cap, 5/16-18 X 1.0 Lg GR5
	736-3070	4	/P	Washer, Flat, .344 X 1.5 X .105
4	703-1771	1		Cover, Battery Box
5	735-3005	2		Bumper, Hood Adhesive, Locktite #495
6	738-0155	2	S	Screw, Shoulder, .437 Dia X .162
	712-3009	2	S	Nut, Hex Center Lock, 5/16-18 GR5
7	703-1768	1		Bracket, Pivot RH
8	703-1769	1		Bracket, Pivot LH
9	710-3008	4	/P	Screw, Hex Cap, 5/16-18 X .75 Lg GR5
10	736-0119	4	S	Washer, Lock, 5/16
11	712-3010	4	S	Nut, Hex, 5/16-18 GR5
12	703-0074	1		Channel, Switch Actuator
	710-0224	2	S	Screw, Hex Wash Hd AB Tapp, #10 X .50 Lg
13	736-0242	4	/P	Washer, Belleville, .345 X .88 X .06
14	712-3010	4	S	Nut, Hex, 5/16-18 GR5
15	779-3296	1	/P	Label, Booster Battery
16	732-3004	2	/P	Spring, Compression
17	735-0200	2		Washer, Rubber
18	736-0159	2	S	Washer, Flat, .344 X .875 X .06 Thk
19	710-0528	2	/P	Screw, Hex, Cap, 5/16-18 X 1.25 Lg GR5
20	720-3001	2	/P	Cap, Spring
21	736-0119	2	S	Washer, Lock, 5/16
22	712-3010	2	S	Nut, Hex, 5/16-18 GR5

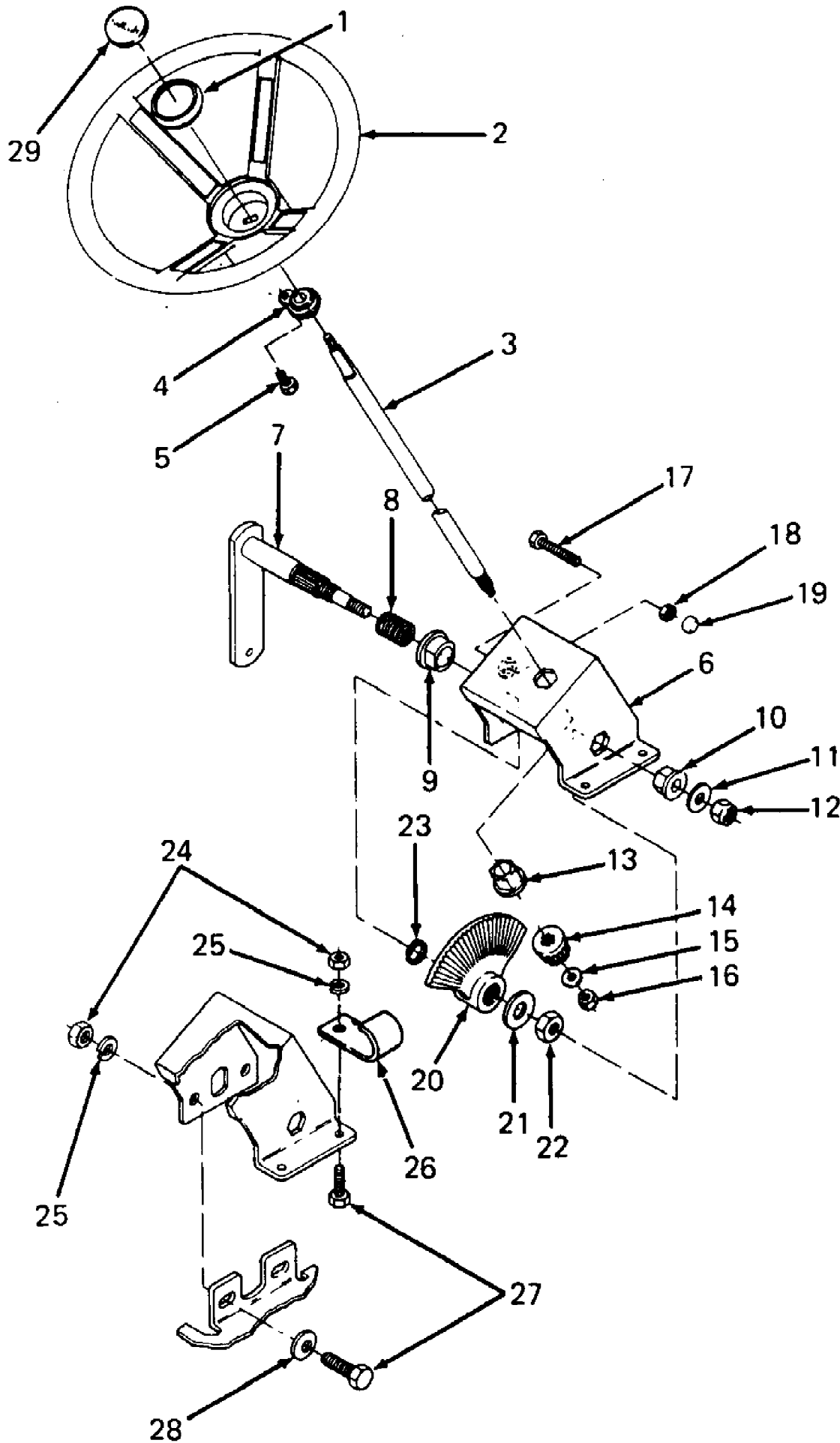
1415 S/N 147,088 - 170,600
Starter



1415 S/N 147,088 - 170,600
 Starter

Ref #	Part Number	Qty	S/P/F	Description
1	KH-52-098-09	1	S	Starter Assy [Includes Ref No. 4, 5, 6, 7, 8, 9 & 10 (Qty 2)]
2	KH-X-20-1	2		Washer, Lock
3	KH-X-81-1	2		Nut, Hex, 1/4-20
4	KH-52-755-05	1	S	Drive Kit (Includes Ref No. 5)
5	KH-52-755-08	1	S	Drive Parts Kit
6	KH-52-227-01	1	S	Cap, Drive End
7	KH-52-170-02	1		Armature
8	KH-52-227-09	1		Cap, Commutator End (Includes Ref No. 9)
9	KH-48-755-15	1	S	Brush Kit
10	KH-52-211-01	2		Bolt, Thru, 1/4-20 X 5-7/8
	KH-25-450-03	1		Tag, Caution

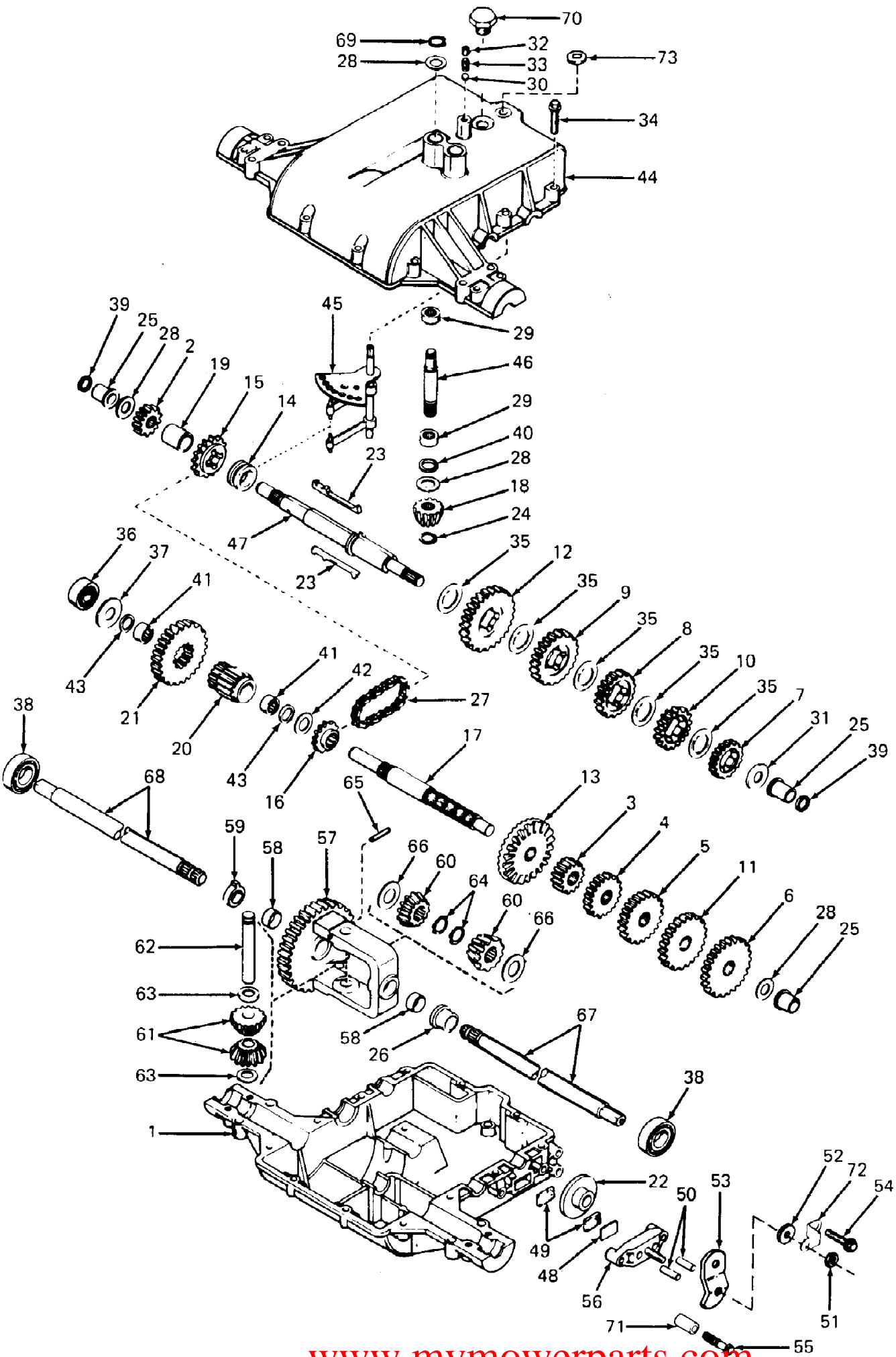
1415 S/N 147,088 - 170,600
Steering



1415 S/N 147,088 - 170,600
Steering

Page 64 of 69

Ref #	Part Number	Qty	S/P/F	Description
1	731-0220	1	S	Cap, Steering Wheel
2	731-0806A	1	S	Wheel, Steering
	712-0237	1	S	Nut, Hex Center Lock, 5/16-24
	736-0242	1	/P	Washer, Bell, .345 X .88 X .060 Thk
3	738-3070	1		Shaft, Steering Wheel
4	741-0501	1	S	Bearing, Steering Column
5	710-0837	1		Screw, Oval Hd Cnt. Sunk, #10 X .62 Lg
6	703-1551	1		Box, Steering
7	703-1531	1		Shaft, Steering
8	732-3054	1	S	Spring, Compression
9	741-0490	1	S	Bearing, Flange
10	748-0228	1		Bearing, Flange
11	736-3087	1		Washer, Flat, .515 X 1.12 X .100 Thk HDN
12	712-3022	1	/P	Nut, Hex Center Lock, 1/2-13 GR5
13	748-0227	1	S	Bearing, Flange
14	748-0237	1	S	Gear, Pinion
15	736-3081	1		Washer, Flat, .320 X .60 X .06 Thk HDN
16	712-0237	1	S	Nut, Hex Center Lock, 5/16-24
17	710-3200	1		Screw, Hex, 3/8-16 X 2.25 Lg GR5
18	712-3008	1	S	Nut, Hex Jam, 3/8-16 GR5
19	731-0988	1		Cap
20	748-0236	1		Gear, Bevel
21	736-0187	1	/P	Washer, Flat, .640 X 1.25 X .06 Thk
22	712-0318	1	/P	Nut, Hex Jam, 5/8-18
23	716-3001	1	S	Ring, Snap
24	712-3010	4	S	Nut, Hex, 5/16-18 GR5
25	736-0119	4	S	Washer, Lock, 5/16
26	726-3008	1	/P	Clip, Cable
27	710-3002	3	S	Screw, Hex Cap, 5/16-18 X 1.0 Lg GR5
28	736-0242	2	/P	Washer, Bell, .345 X .88 X .060 Thk
29	779-3077	1		Label, Steering Cap



1415 S/N 147,088 - 170,600
Transaxle

Page 66 of 69

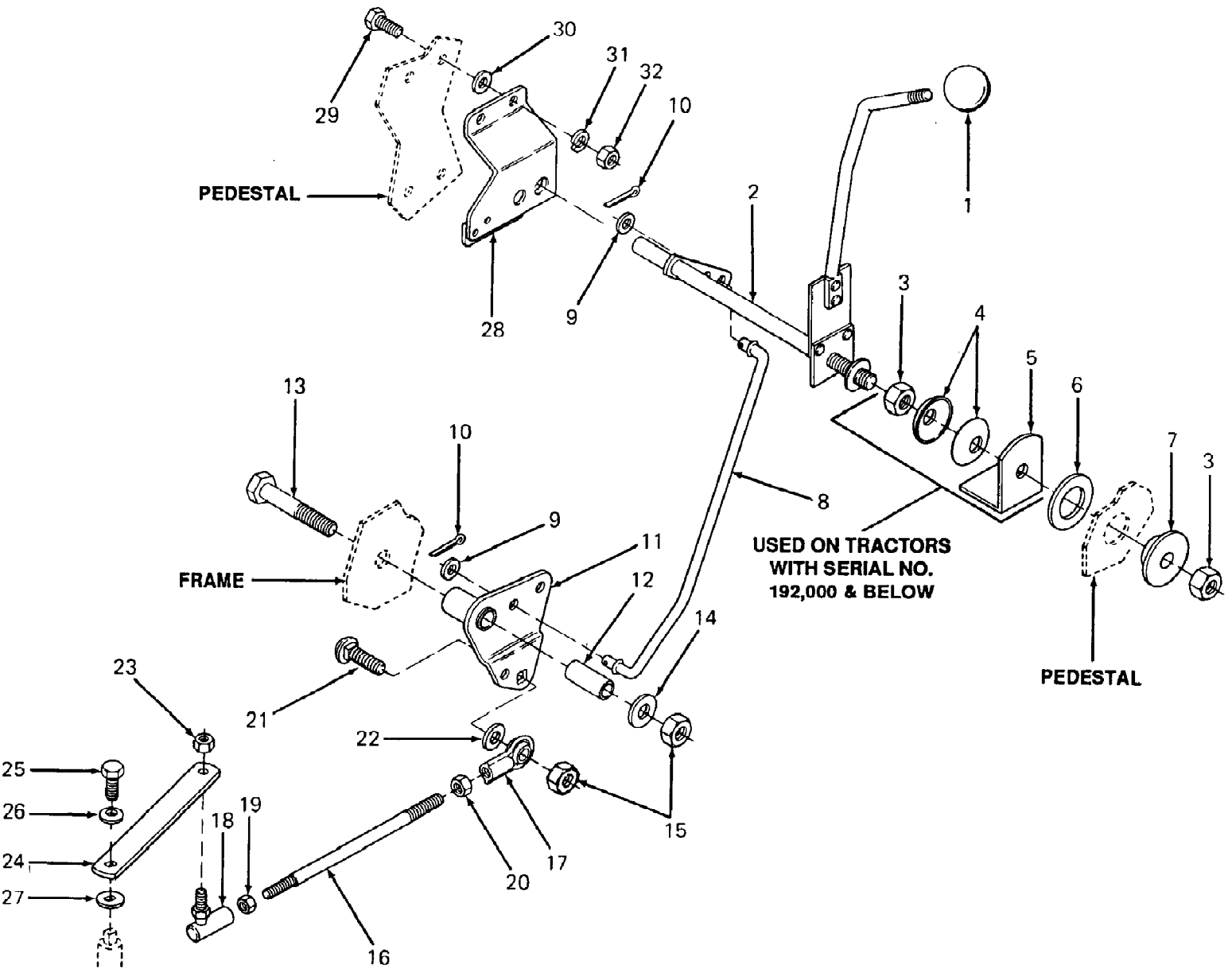
Ref #	Part Number	Qty	S/P/F	Description
1	TC-770071A	1		Case, Transaxle
2	TC-778136	1	/P	Gear, Spur (15 teeth)
3	TC-778145	1	/P	Gear, Spur (12 teeth)
4	TC-778126A	1	/P	Gear, Spur (20 teeth)
5	TC-778127A	1	/P	Gear, Spur (25 teeth)
6	TC-778129A	1	/P	Gear, Spur (30 teeth)
7	TC-778121A	1	/P	Gear, Spur (20 teeth)
8	TC-778123A	1	/P	Gear, Spur (25 teeth)
9	TC-778124A	1	/P	Gear, Spur (30 teeth)
10	TC-778122A	1	/P	Gear, Spur (22 teeth)
11	TC-778128A	1	/P	Gear, Spur (28 teeth)
12	TC-778146A	1	S	Gear, Spur (37 teeth)
13	TC-778137A	1	/P	Gear, Bevel (42 teeth)
14	TC-784266	1	/P	Collar, Shift
15	TC-786083	1	/P	Sprocket (18 teeth)
16	TC-786082	1	/P	Sprocket (9 teeth)
17	TC-776204	1	/P	Shaft, Counter
18	TC-778113A	1	/P	Bevel Pinion, Input
19	TC-786074	1	/P	Spacer
20	TC-778138	1	/P	Pinion, Output
21	TC-778139	1		Gear, Output
22	TC-790003	1	/P	Disk, Brake
23	TC-792089A	2	S	Key
24	TC-788040	1	/P	Ring, Retaining
25	TC-780105A	3	/P	Bushing, Flanged
26	TC-780118A	1	/P	Bushing, Flanged
27	TC-786081	1	/P	Chain, Roller (No. 41 chain, 24 links)
28	TC-780072	4	/P	Washer, Thrust
29	TC-780122	2		Bearing, Needle
30	TC-792077	1	S	Ball, Steel
31	TC-780109	1		Washer, Thrust
32	TC-792078	1	/P	Screw, Set, 3/8-16 X 3/8
33	TC-792079	1	/P	Spring
34	TC-792073	14	S	Screw, Hex Hd Thread Forming, 1/4-20 X 1-1/4
35	TC-780108	5	/P	Washer, Thrust
36	TC-780121	1		Bearing, Ball
37	TC-780113	1		Washer, Flat
38	TC-780119	2	S	Bearing, Ball
39	TC-788051	2	S	Seal, Square Cut
40	TC-788057	1	/P	Seal, Square Cut
41	TC-780112	2	/P	Bearing, Needle
42	TC-780114	1	/P	Washer, Flat
43	TC-788053	2	/P	Seal, Square Cut
44	TC-772082	1	S	Cover, Transaxle
45	TC-784290	1	/P	Rod & Fork Assy, Shift
46	TC-776140	1	/P	Shaft, Input
47	TC-776184A	1	S	Shaft, Brake
48	TC-790007	1	/P	Plate, Brake Pad
49	TC-790006	2	S	Pad, Brake
50	TC-786026	2	/P	Pin, Dowel
51	TC-792075	1	S	Locknut, 5/16-24

1415 S/N 147,088 - 170,600
Transaxle

Page 67 of 69

Ref #	Part Number	Qty	S/P/F	Description
52	736-3078	1	/P	Washer, Flat
53	TC-790004	1		Lever, Brake
54	TC-792073	1	S	Screw, Hex Hd Thread Forming, 1/4-20 X 1-1/4
55	TC-792085	1	S	Screw, Hex Hd Thread Forming, 1/4-20 X 2-1/4
56	TC-790025	1	/P	Holder, Brake Pad
57	TC-778053A	1		Gear Assy, Differential (Includes 2 of No. 60)
58	TC-780064	2	/P	Bushing
59	TC-780120	1	/P	Bushing
60	TC-778166	2		Gear, Bevel
61	TC-778131	2	/P	Pinion, Bevel
62	TC-786034	1		Pin, Drive
63	TC-780065	2	/P	Washer, Thrust
64	716-3001	2	S	Ring, Retaining
65	TC-792040	1		Pin, Roll
66	TC-780001	2		Washer, Thrust
67	TC-774716	1		Axle, 14-5/8 in. Long
68	TC-774715	1		Axle, 12-3/4 in. Long
69	TC-792035	1	/P	Ring, Retaining
70	TC-792074	1		Plug, Hex Hd, 9/16-18 Thread
71	TC-786066	1		Spacer
72	TC-786086	1		Bracket, Brake Lever
73	TC-792083	1		Washer
	TC-788067A	1	S	Grease, Transmission 30 oz.

1415 S/N 147,088 - 170,600
Transmission Controls



1415 S/N 147,088 - 170,600
Transmission Controls

Page 69 of 69

Ref #	Part Number	Qty	S/P/F	Description
1	720-3000	1	S	Knob, Control
2	703-1544A	1	/P	Shifter Assy [Replaces 703-1544 by omitting Ref No. 3 (Qty 1), 4 (Qty 2) & 5]
3	712-3059	2	/P	Nut, Hex Top Lock, 1/2-20
4	736-3022	2	S	Washer, Bell
5	703-1705	1		Bracket, Friction
6	723-3055	1	S	Washer, Friction
7	748-3024	1		Spacer, Shoulder
8	747-3127	1		Rod, Upper Shift
9	736-0185	2	S	Washer, Flat, .406 X .75 X.063 Thk
10	714-0144	2	S	Pin, Cotter, 1/8 X 1.0 Lg
11	703-1541	1		Cam, Shift
12	750-0351	1		Sleeve, .380 X .623 X 1.555 Lg
13	710-3011	1	/P	Screw, Hex Cap, 3/8-16 X 2.25 Lg GR5
14	736-0267	1	S	Washer, Flat, .385 X .87 X 0.6 Thk HDN
15	712-3000	2	S	Nut, Hex Center Lock, 3/8-16
16	711-3242	1		Rod, Shifter
17	723-3016	1	S	Joint, Ball
18	723-3012	1	S	Joint, Ball - LH Trd
19	712-3045	1	S	Nut, Hex Jam, 5/16-24 LH Trd GR5
20	712-3001	1	S	Nut, Hex Jam, 3/8-24 GR5
21	710-3097	1	/P	Bolt, Sht Nk Carr, 3/8-16 X 1.0 Lg GR5
22	736-0140	1	S	Washer, Flat, .385 X .62 X .063
23	712-0305	1	S	Nut, Hex Patch Lock, 5/16-24
24	703-1107	1		Lever, Shifter
25	710-0513	1		Screw, Hex Patch Lock, 1/4-28 X .62 Lg GR5
26	736-0270	1	/P	Washer, Bell
27	717-0234	1		Washer
28	703-1537	1		Bracket, Clutch Handle
29	710-0751	4	/P	Screw, Hex Cap, 1/4-20 X .62 Lg GR5
30	736-3000	4		Washer, Flat, .281 X .75 X .105
31	736-0329	4	S	Washer, Lock, 1/4
32	712-3006	4	/P	Nut, Hex, 1/4-20 GR5