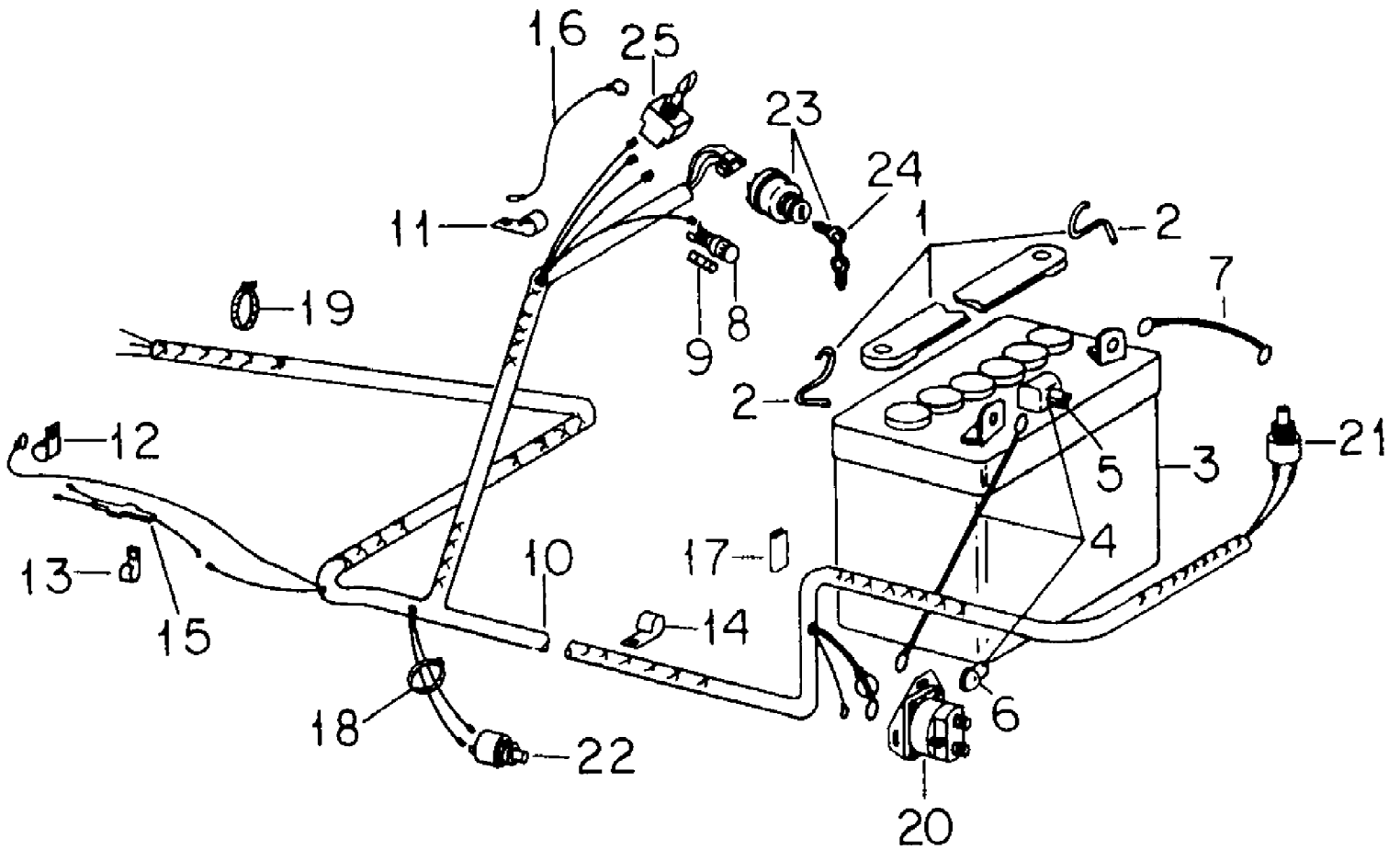
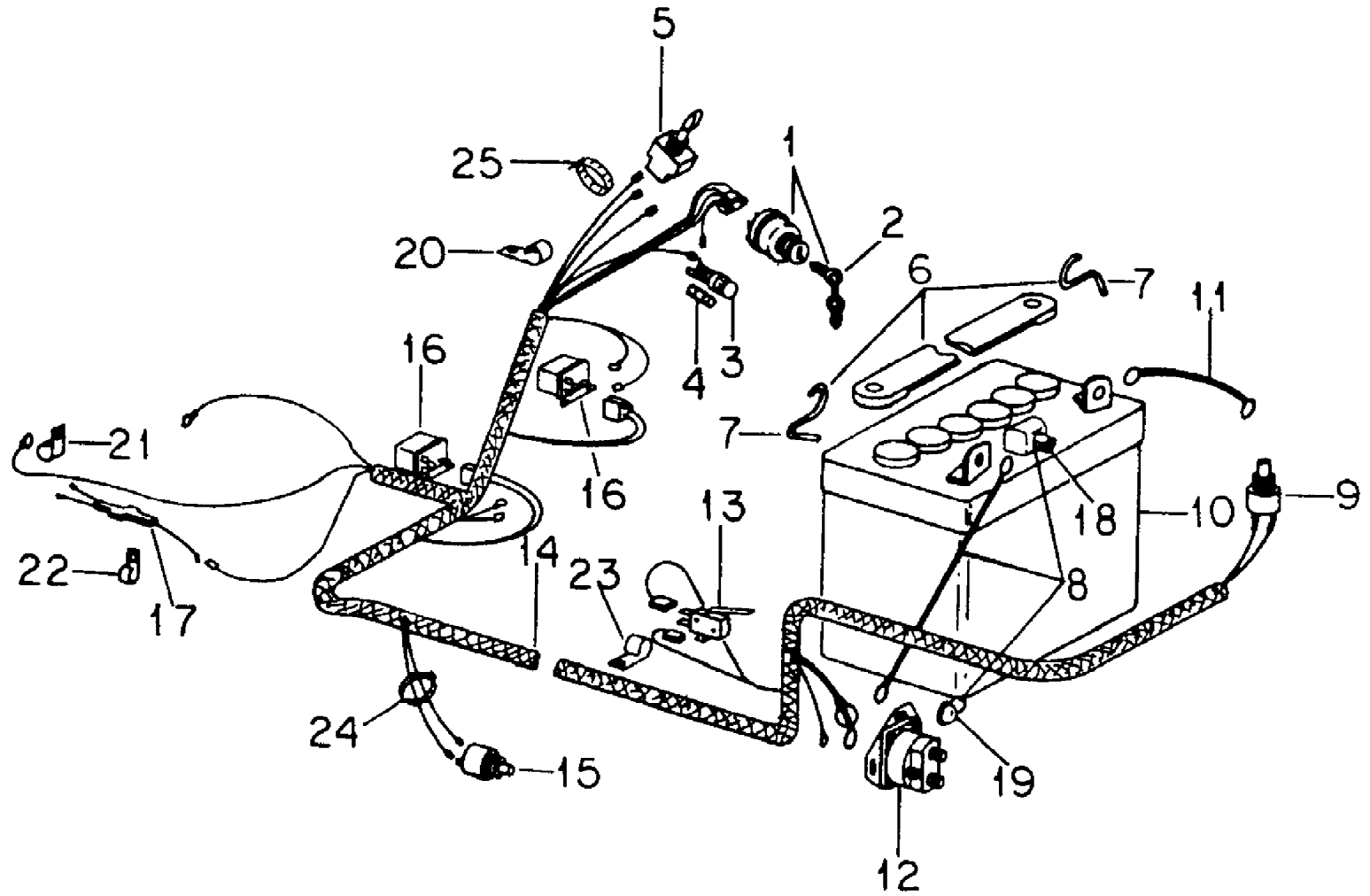


Air Cleaner & Carburetor

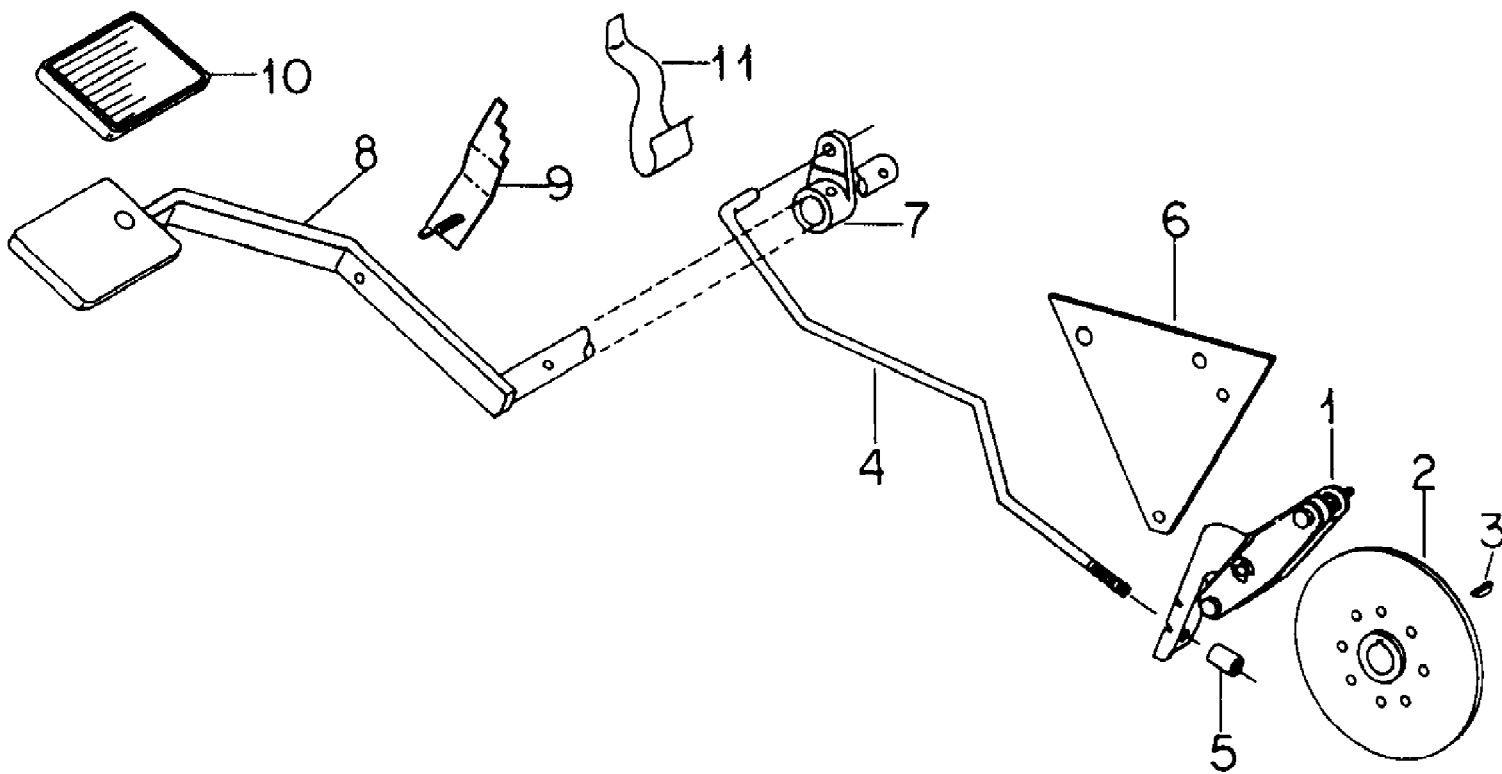
Ref #	Part Number	Qty	S/P/F	Description
1	IH-76632-C1	1		Plate Assy, Air Cleaner Mounting
	710-0118	4	S	Bolt, 5/16 X 3/4 Type 5
	710-3049	2		Bolt, 1/4 X 9/16 Type 5
2	BS-392286	1	/P	Cartridge, Air Cleaner
3	IH-76620-C1	1		Cup, Air Cleaner
4	BS-270973	1	/P	Element, Air Cleaner
5	BS-392288	1		Cover, Air Cleaner
6	712-3044	2		Nut, 1/4-20 Znp Wing
7	IH-76587-C1	1		Bracket, Choke Control
8	BS-221535	1	S	Clamp, Casing
9	BS-93496	1	S	Screw, Clamp
10	BS-261339	1		Link, Throttle
11	BS-93838	1		Bolt, Shoulder, 6/32" Diameter
	BS-231520	1		Bolt, Shoulder, 8/32" Diameter
12	BS-392292	1		Lever, Linkage
13	IH-76618-C1	1		Manifold, Intake
	BS-93812	2		Screw, 1/4 X 1-1/4 Znp Fil/Hdcr Mach
14	BS-392690	1		Carburetor Assy
15	BS-260575	1		Spring, Throttle Adjusting
16	IH-76573-C1	1		Screw, Float Bowl Mounting
17	BS-299707	1	/P	Float Assy
18	BS-222014	1	S	Washer, Float Bowl
19	BS-280162	1		Pump, Body
20	BS-93829	1		Screw, Pump Cover
21		1		Not used in this application
22	BS-221995	1	/P	Bowl, Float
23	BS-222615	1		Cover, Pump
24	BS-393397	1	/P	Kit, Pump Repair
	BS-393544	1	/P	Kit, Carburetor Overhaul (Consists of Ref No. 24, gaskets, valves and jet screws)



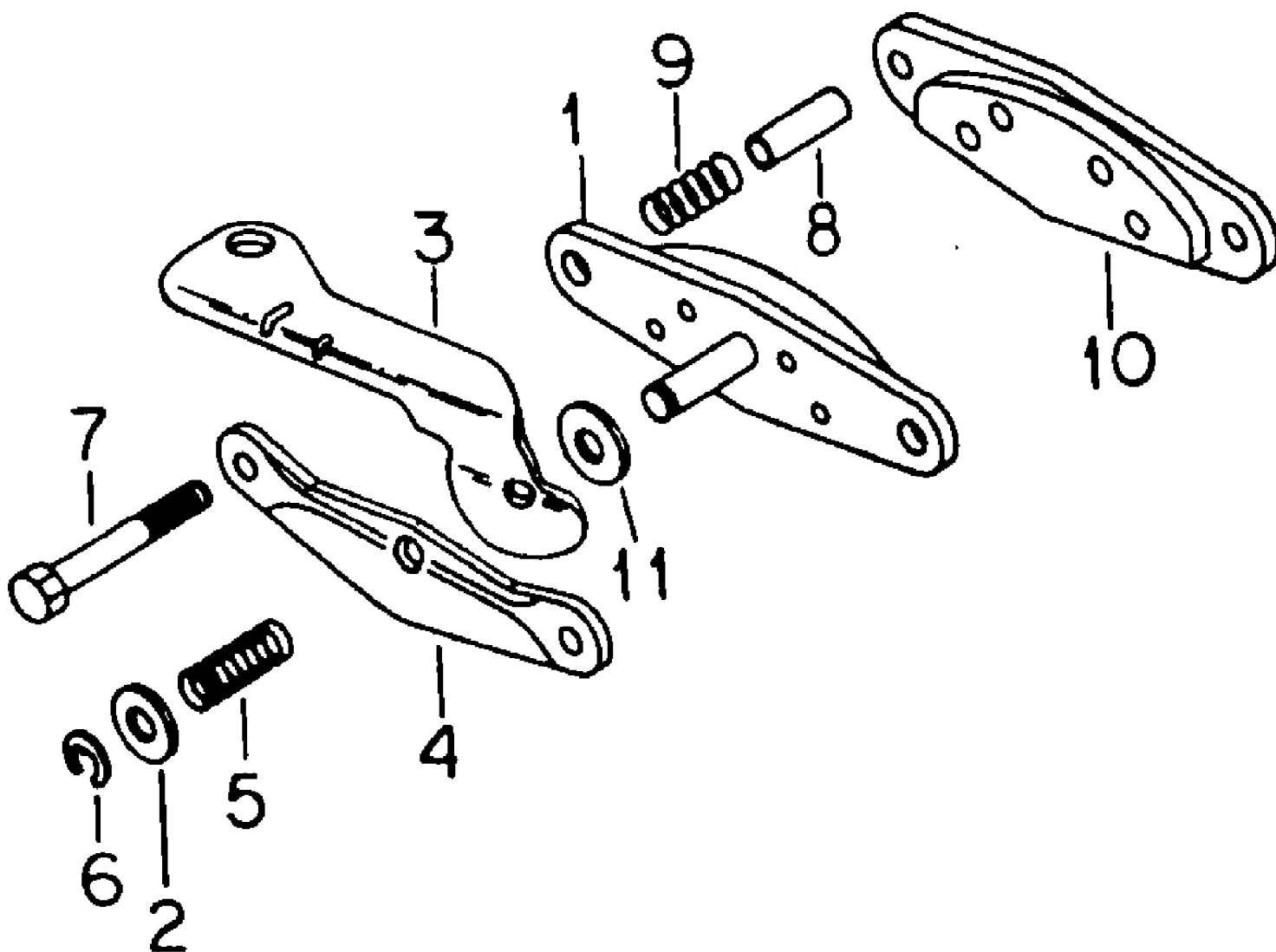
Ref #	Part Number	Qty	S/P/F	Description
1	703-0017	1	S	Strap Assy, Battery
2		1		Hook, Battery Strap (Order 703-0017 Strap Assy)
3	IH-PRLU	1	S	Battery, IH Low-Maintenance, 12 Volt
4	725-3078	1	S	Cable, Battery, Positive
	710-0451	1	/P	Bolt, 5/16 X 3/4 Crg Type 1
	712-0267	1	S	Nut, 5/16 Type 5
	736-3007	1		Washer, 5/16 Ext Int Tooth Lock
5	725-3007	1	S	Cover, Battery Terminal
6	725-3008	1		Insulator, Terminal Boot
7	725-0978	1	S	Cable, Battery, Negative Terminal to Ground
	710-0703	1	/P	Bolt, 1/4 X 3/4 Crg Type 1
	712-3006	1	/P	Nut, 1/4 Type 5
8	725-3011	1	S	Holder Assy, Fuse
	IH-356445-R91	1	/P	Knob, Fuse Holder
9	725-3012	1	S	Fuse, 10 Amp
10	725-3013	1		Harness Assy, Cable
	710-3015	1	/P	Bolt, 1/4 X 3/4 Type 5
	712-3006	2	/P	Nut, 1/4 Type 5
11	726-3006	3		Clip, Cable
	712-3006	1	/P	Nut, 1/4 Type 5
12	726-3007	1		Clip, Cable, PTO Clutch
13	726-3008	2	/P	Clip, Cable, Heat Shield & Frame
14	726-3009	1		Clip, Cable, LH Channel at X Member
15	725-3014	1	S	Diode Assy
16	725-3015	1		Cable, PTO Switch Ground
17		1		Not used in this application
18	726-3010	1		Strap, Cable Tie
19	726-3011	1		Strap, Cable Lock
20	725-3001	1	S	Switch, Magnetic
	712-0267	2	S	Nut, 5/16 Type 5
	712-0349	1	/P	Nut, No. 10-NF Mach Screw Type
	712-3006	2	/P	Nut, 1/4 Type 5
21	725-3003	1		Switch, Neutral Start, Normally Closed
	735-3006	1	/P	Boot, Neutral Start Switch
22	725-3060	1	S	Switch, Neutral Start, Normally Open
	735-3006	1	/P	Boot, Neutral Start Switch
23	725-3004	1	S	Switch Assy, Battery Ignition Key
	712-3013	1	/P	Nut, Battery Ignition Switch
	736-0156	1	/P	Washer, .656 X 1.000 X .105
24	725-0201	1	S	Key, Ignition Switch
25	725-3005	1	S	Switch, PTO
	736-3003	1	/P	Washer, 531 X .688 X .054 Pln
	712-3014	1	/P	Nut, Switch



Ref #	Part Number	Qty	S/P/F	Description
1	725-3004	1	S	Switch Assy, Battery Ignition Key
	712-3013	1	/P	Nut, Battery Ignition Switch
	736-0156	1	/P	Washer, .656 X 1.000 X .105
2	725-0201	1	S	Key, Ignition Switch
3	725-3011	1	S	Holder Assy, Fuse
	IH-356445-R91	1	/P	Knob, Fuse Holder
4	IH-223288-C1	1		Fuse, 15 Amp
5	725-0893	1	S	Switch, IPTO
	736-3003	1	/P	Washer, .531 X .688 X .054 Pln
	712-3014	1	/P	Nut, Switch
6	703-0017	1	S	Strap, Battery
7		1		Hook, Battery Strap (Order 703-0017 Strap)
8	725-3078	1	S	Cable, Battery, Positive (Includes Ref No. 18 & 19)
	710-0703	1	/P	Bolt, 1/4 X 3/4 Crg Type 1
	712-3006	1	/P	Nut, 1/4 Type 5
	736-3007	1		Washer, 5/16 Ext Int Tooth Lock
9	725-3003	1		Switch, Neutral Start, Normally Closed
	735-3006	1	/P	Boot, Neutral Start Switch
10	725-3061	1	S	Battery, IH Low Maintenance, 12 Volt
11	725-0978	1	S	Cable, Battery, Negative
	710-0703	1	/P	Bolt, 1/4 X 3/4 Crg Type 1
	712-3006	1	/P	Nut, 1/4 Type 5
	736-3007	1		Washer, 5/16 Ext Int Tooth Lock
12	725-3001	1	S	Switch, Magnetic, Solenoid
	712-0267	2	S	Nut, 5/16 Type 5
	712-0349	1	/P	Nut, No. 10-NF Mach Screw Type 1
	712-3006	2	/P	Nut, 1/4 Type 5
13	725-3066	1	S	Switch, Reverse Cut-Out
	710-3112	2		Screw, #4-40 X 3/4 Hex Hd
	712-3052	2	/P	Nut, #4-40 Non-Metallic Insert
14	725-3075	1		Harness, Main Cable
	710-3015	1	/P	Bolt, 1/4 X 3/4 Type 5
	712-3006	2	/P	Nut, 1/4 Type 5
15	725-3060	1	S	Switch, Neutral Start, Normally Open
	735-3006	1	/P	Boot, Neutral Start Switch
16	725-0894	2	S	Relay
	710-0751	4	/P	Bolt, 1/4 X 5/8 Type 5
	736-0329	4	S	Washer, 1/4 Lock
	712-3006	4	/P	Nut, 1/4 Type 5
17	725-3014	1	S	Diode Assy
18	725-3007	1	S	Cover, Battery Terminal
19	725-3008	1		Insulator, Terminal Boot
20	726-3006	3		Clip, Cable
	712-3006	1	/P	Nut, 1/4 Type 5
21	726-3007	1		Clip, Cable, IPTO Clutch
22	726-3008	2	/P	Clip, Cable, Heat Shield & Frame
23	726-3009	1		Clip, Cable, LH Channel at X Member
24	726-3010	1		Strap, Cable Tie
25	726-3011	1		Strap, Cable Lock



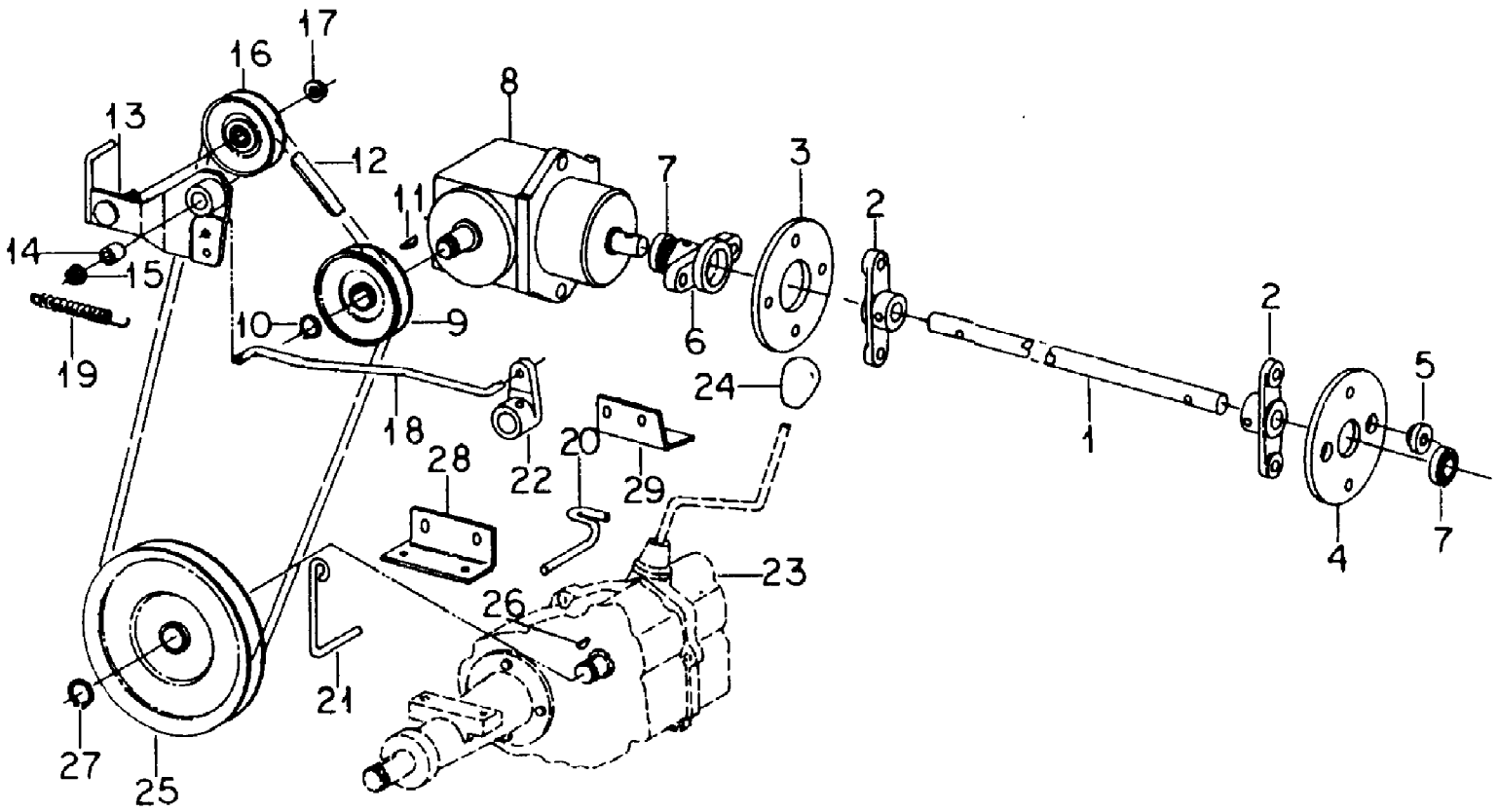
Ref #	Part Number	Qty	S/P/F	Description
1		1		Brake Assy, Caliper (Refer to Caliper Brake Assy for List of Components)
	712-0107	2	S	Nut, 1/4-20 Znd Hex, Lock
	750-3008	2		Washer, .281 X .750 X .105
	736-0463	2	S	Washer, 281 X .625 X .051
	HH-01-03443	2	S	Bolt, 1/4 X 2 Type 5
2	761-3001	1		Disk & Hub
3	714-0868	1	S	Key, 3/16 X 3/4 Woodruff
4	747-3000	1		Rod, Brake
5	750-3024	1		Spacer, .493 X .675 X 1.00 Pipe
	736-0140	1	S	Washer, .406 X .812 X .051
	712-0375	1	/P	Nut, 3/8 Cad P/T Lock Type 1
	714-0474	1	S	Pin, 1/8 X 3/4 Pln Cot
6	703-0003	1		Support, Plate Brake, Spacer
	710-3000	2	S	Bolt, 3/8 X 3/4 Type 5
	712-3000	2	S	Nut, 3/8 Cad P/T Lock Type 5
7	719-3000	1	S	Lever, Brake Rod
8	703-0845A	1		Pedal Assy, Clutch
9		1		Ratchet (Order Kit 759-3127)
10	724-3000	1	S	Pad, Pedal
11	732-3000	1	S	Spring, Switch Operating (Serial Number 716387 and Below)
	732-3039A	1		Spring, Switch Operating (Serial Number 716388 and Above)
	715-3000	4	S	Pin, 1/4 X 1-3/8 Med Pln Cld Spr
	726-3000	1	/P	Nut, Spring Retaining
	759-3127	1		Kit, Brake Lock Ratchet Nut Washer, Spring



482
Caliper Brake Assembly

Page 10 of 67

Ref #	Part Number	Qty	S/P/F	Description
1		1		Order Kit 759-3393
2	HH-03-03017	1		Washer, Thrust
3	HH-C-18-02434	1		Cam
4	HH-C-14-03286	1		Plate, Actuator
5	HH-A-06-03031	2		Spring, Compression
6	716-0108	1	S	Ring, Retaining
7	HH-01-03443	2	S	Screw, 1/4-20 X 2 Phc Hex Hd Cap
	712-0107	2	S	Nut, 1/4 Cad P/T Lock Type 8
	750-3008	2		Washer, .281 X .750 X .105
	736-0463	2	S	Washer, .281 X .625 X .051
8		1		Order Kit IH-107027-C1
9	HH-A-06-03314	2		Spring, Return
10		1		Order Kit 759-3393
	759-3393	1	/P	Kit Includes Brake Relining Bushing Washer, Flat Plate Assy, Stud Plate Assy, Side Instructions, Installing
11		1		Order Kit IH-107027-C1
	IH-107027-C1	1		Kit Includes Brake Spacer Washer, Flat Bushing Instructions, Installing

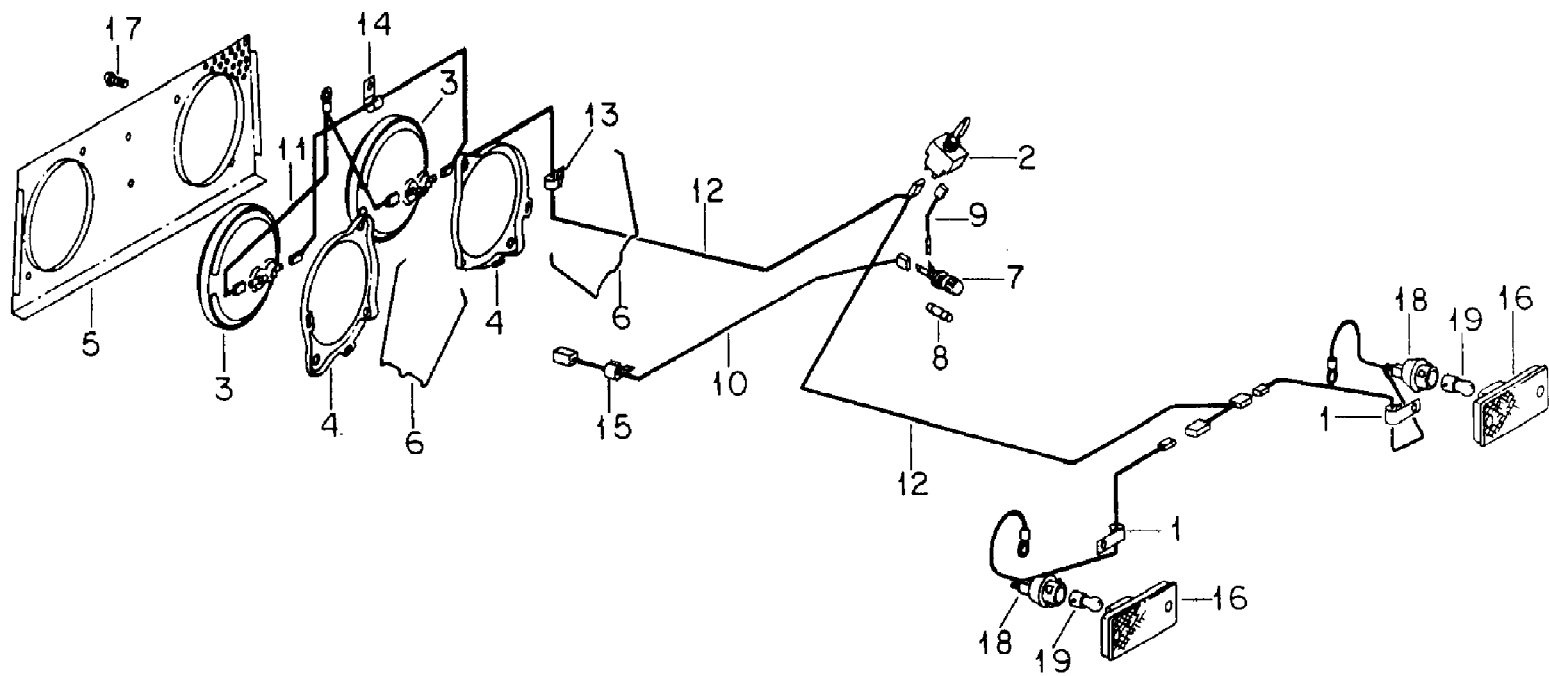


Ref #	Part Number	Qty	S/P/F	Description
1	738-3000	1		Shaft, Drive
2	748-3001	2	/P	Arm, Coupling
3	722-3000	1	/P	Disc, Flexible Coupling
4	722-3001	1	S	Disc, Flexible Coupling
5	711-3001	2		Bushing
	710-3005	6	/P	Bolt, 3/8 X 1-1/4 Type 5
	710-0520	2	/P	Bolt, 3/8 X 1-1/2 Type 5
	736-0140	8	S	Washer, .406 X .812 X .051
	712-3000	6	S	Nut, 3/8 Cad P/T Lock Type 5
	715-3000	3	S	Pin, 1/4 x 1-3/8 Hvy Cld Spr
6	703-0794	1	S	Coupler, Driveshaft
7	741-3004	2	S	Bushing, Self Aligning Ball
8	~NLA	1		Drive, Right Angle (Refer to Right Angle Drive for List of Components)
	710-3005	2	/P	Bolt, 3/8 X 1-1/4 Type 5
	712-0798	2	/P	Nut, 3/8 Type 5
9	756-3000	1	/P	Pulley, Drive
	710-3006	1	/P	Screw, Set
10	716-0115	1	S	Ring, Retaining
11	714-0868	1	S	Key, 3/16 X 3/4 Woodruff 9
12	754-3000	1	S	Belt, Clutching
13	703-0011	1		Arm Assy, Clutch
14	750-3001	1		Bushing, Clutch Arm
	710-0805	1	/P	Bolt, 5/16 X 1-1/2 Type 5
15	712-3004	1	S	Nut, 5/16 Flange Lock
16	IH-61176-C92	1	/P	Pulley, Drive Idler
	736-0140	1	S	Washer, .406 X .812 X .051
17	712-3005	1	S	Nut, 3/8 Flange Lock
	736-0275	1	S	Washer, .344 X .688 X .051
18	747-3003	1	/P	Rod, Clutch
	714-0474	2	S	Pin, 1/8 X 3/4 Pln Cot
	736-0275	2	S	Washer, .344 X .688 X .051
19	732-3003	1	/P	Spring, Clutch
	712-0798	1	/P	Nut, 3/8 Type 5
	736-0140	1	S	Washer, .406 X .812 X .051
	710-3000	1	S	Bolt, 3/8 X 3/4 Type 5
20	747-3004	1	/P	Guide, Belt
21	747-3005	1		Guide, Belt
	710-3000	2	S	Bolt, 3/8 X 3/4 Type 5
	736-0140	2	S	Washer, .406 X .812 X .051
	712-0798	1	/P	Nut, 3/8 Type 5
22	719-3001	1	S	Lever, Neutral Return
23	717-3001	1		Transaxle (Refer to Transaxle for List of Components)
24	720-3000	1	S	Knob, Shifter
25	756-3002	1	/P	Pulley, Transaxle
26	714-0868	1	S	Key, 3/16 X 3/4 Woodruff 9
27	716-0101	1	S	Ring, Ret.
	710-3006	1	/P	Screw, Set
28	703-0013	1		Bracket, Trans Mtg
	710-0520	3	/P	Bolt, 3/8 X 1-1/2 Type 5
	710-3000	6	S	Bolt, 3/8 X 3/4 Type 5

482
Clutch & Controls

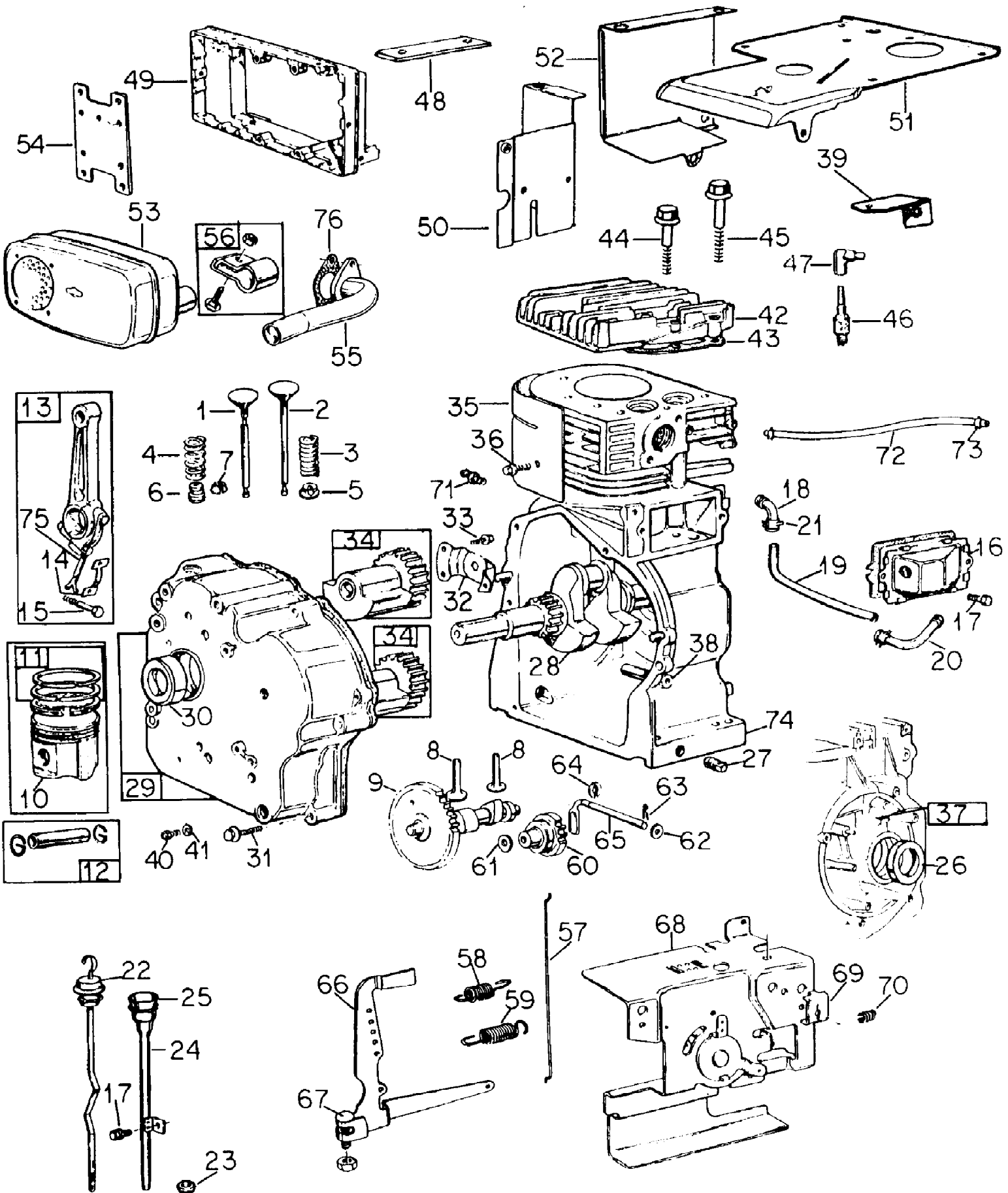
Ref #	Part Number	Qty	S/P/F	Description
	712-3000	7	S	Nut, 3/8 Cad P/T Lock Type 5
29	703-0014	1		Bracket, Trans, LH
	736-0140	4	S	Washer, .406 X .812 X .051

482
Electric Lighting Attachment



Electric Lighting Attachment

Ref #	Part Number	Qty	S/P/F	Description
	IH-77790-C91	1		Electric Lighting Parts Accessory
1	726-3014	2	S	Clip, Taillight
2	IH-131507-C1	1		Switch, Lighting
3	725-0222	2	S	Light, Sealed Beam Head
4	703-0166	2	/P	Retainer, Headlight
5	703-0165	1		Screen, Upper Grille
	726-3012	2		Retainer, IH Emblem Stud
6	732-3011	2	S	Spring, Headlight Retaining
7	725-3011	1	S	Holder, Fuse (Includes Knob)
	IH-356445-R91	1	/P	Knob, Fuse Holder
8	725-3012	1	S	Fuse, 10 Amp
9	IH-144612-C1	1		Cable Assy, Fuse to Switch
10	IH-144611-C1	1		Cable Assy, Diode to Fuse
11	IH-144613-C1	1		Cable Assy, Headlight Ground
12	IH-144614-C1	1		Cable Assy, Lighting
13	726-3025	1	S	Clip, Cable, Grille Side
	~NLA	1		Screw, 5/16 X 1/2 H/Hd Tap
14	726-3014	1	S	Clip, Cable, Grille Top
	IH-172427	1		Screw, 1/4 X 1/2 H/Hd Tap
15		1		Not used in this application
16	725-3018	2		Lens Assy, Taillight
17	710-3003	4	/P	Screw, Tapping
	736-3018	2		Washer, No. 8 Ext Int Tooth Lock
	712-0142	4	/P	Nut, No. 8 Mach Screw Type 1
18	725-3019	2		Cable Assy, Taillight
19	725-3020	2	S	Bulb, Taillight #194
	~NLA	1		Clip, Cable (On Grille Housing Gusset)

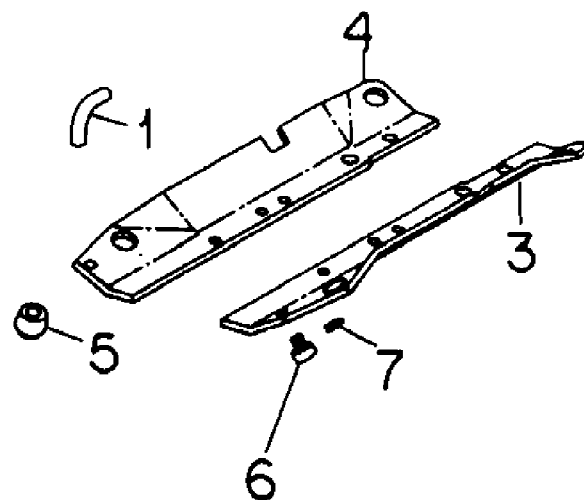
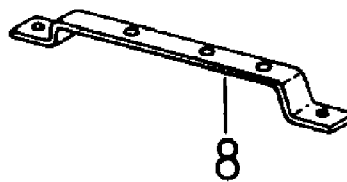
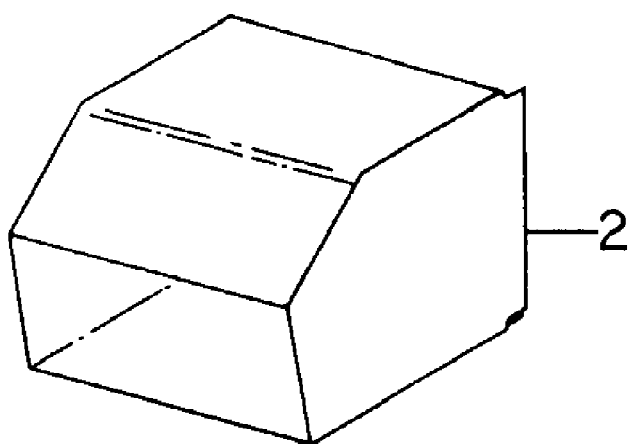


Ref #	Part Number	Qty	S/P/F	Description
		1	F	Engine Assy, 11 HP - Complete
	710-0502A	4	/P	Screw, 3/8 X 1-1/4 H/Hd Tap
	~NLA	1		Engine Assy, Short Block
1	BS-261185	1		Valve, Exhaust
2	BS-261462	1		Valve, Intake
3	BS-65906	1	/P	Spring, Intake Valve
4	BS-26828	1	S	Spring, Exhaust Valve
5	BS-221596	1	S	Retainer, Intake Valve
6	BS-292260	1	S	Retainer, Exhaust Valve
7	BS-93630	2	S	Keeper, Exhaust Valve
8	BS-261183	2		Tappet, Valve
9	BS-212897	1		Camshaft and Gear
10	BS-391285	1		Piston Assy, Standard
11	BS-391780	1	S	Set, Piston Ring, Standard
12	BS-299691	1	/P	Pin Assy, Piston
	BS-260924	2	S	Ring, Piston Pin Lock
13	BS-490348	1	/P	Rod Assy, Connecting
14	BS-222299	1		Lock, Connecting Rod Screw
15	BS-92909	2		Screw, Connecting Rod
16	BS-392294	1	/P	Breather Assy
17	BS-93394	3	S	Screw, Breather & Oil Filler
18	BS-280160	1		Elbow, Breather
19	BS-231105	1		Tube, Breather
20	BS-280159	1		Elbow, Breather Tube
21	IH-210511-R1	2		Clamp, Hose
22	BS-392295	1		Dipper-Stick, Oil Fill Cap
23	BS-68838	1	S	Seal, Filler Tube, Lower
24	IH-76607-C1	1		Tube Assy, Oil Filler & Dipper Stick
25	IH-76625-C1	1		Seal, Oil Filler Tube, Upper
26	BS-391086	1	S	Seal, Oil
27	BS-93418	2	S	Plug, Oil Drain
28	IH-76557-C1	1		Crankshaft
29	BS-393925	1		Cover Assy, Crankcase
30	BS-291675	1	S	Seal, Oil
31	BS-93585	6		Screw, Cover Mounting
	710-3073	4	S	Bolt, 5/16 X 2-1/4 Type 5
32	BS-222407	2		Retainer, Counterweight
33	BS-93394	6	S	Screw, Retainer
34	BS-491787	2		Counterweight & Bearing
35	IH-76589-C1	1		Shield, Cylinder
36	BS-93394	2	S	Screw, Shield
37	BS-231056	1		Bushing, Governor Crank
38	BS-23513	1		Bushing, Plunger
39	IH-78403-C1	1		Bracket, Support
	IH-78404-C1	1		Nut, Hood Mtg
40	BS-93554	1		Screw, No. 10 X 1/4 Znp H/Hd Mach
41	IH-76623-C1	1		Washer, Flat Plug
42	BS-212119	1		Head, Cylinder
43	BS-271078	1	S	Gasket, Cylinder Head
44	BS-93113	5	S	Screw, Cylinder Head
45	BS-93211	5		Screw, Cylinder Head
46	759-3331	1	/P	Plug, Spark
47	BS-66538	1	S	Plug, Spark Plug Elbow

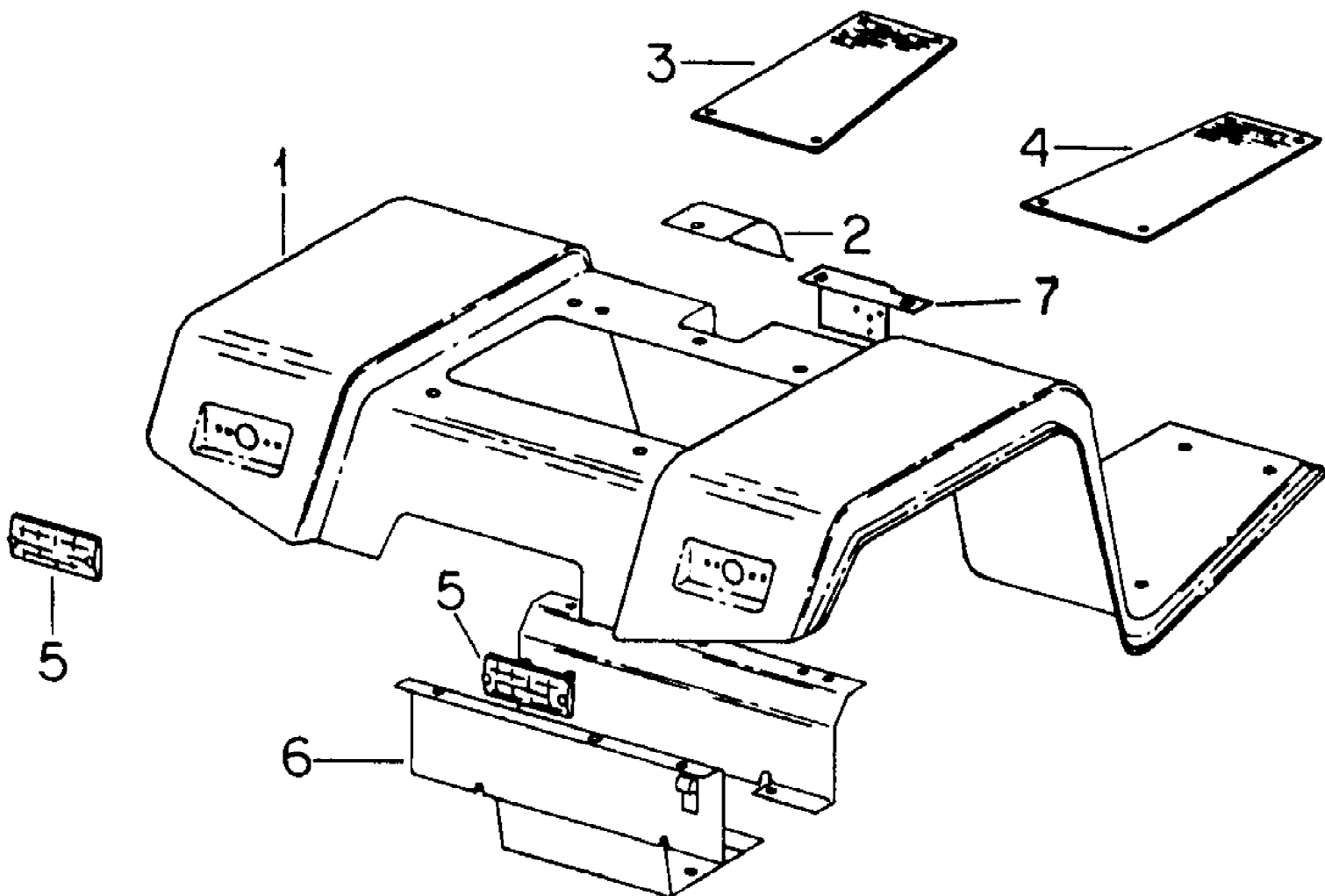
482
Engine

Page 18 of 67

Ref #	Part Number	Qty	S/P/F	Description
48	IH-76614-C1	1		Strap, Bracket
	710-3049	2		Bolt, 1/4 X 9/16 Type 5
49	BS-212235	1		Frame, Shroud
	710-3049	4		Bolt, 1/4 X 9/16 Type 5
50	BS-392290	1		Cover Assy, Side
	710-3049	2		Bolt, 1/4 X 9/16 Type 5
51	BS-222613	1		Hood, Upper Engine
	710-3049	4		Bolt, 1/4 X 9/16 Type 5
52	BS-222695	1		Shroud, Exhaust Side
53	BS-392101	1	S	Muffler, Exhaust
	710-3013	2	/P	Bolt, 1/4 X 1/2 Type 5
54	BS-222692	1		Bracket, Muffler
	710-3015	4	/P	Bolt, 1/4 X 3/4 Type 5
55	BS-392903	1		Pipe Assy, Exhaust
	710-3100	2		Bolt, 5/16 X 5/8 Type 5
56	726-3017	1		Clamp Assy, Muffler
		1		Bolt, 5/16 X 1-1/4 Crg Type 1 (Common Hardware, Purchase Locally)
	712-0267	1	S	Nut, 5/16 Type 5
57	BS-261338	1		Link, Governor
58	BS-260871	1	S	Spring, Governor
59	BS-261126	1	S	Spring, Governor Idle
60	BS-391737	1	/P	Gear, Governor
61	BS-221551	1		Washer, Thrust
62	IH-76586-C1	1		Washer, Governor Crank
63	BS-93306	1	/P	Pin, Hair Cotter
64	BS-93307	1	/P	Retainer, E-Ring
65	BS-231057	1		Crank, Governor
66	BS-392707	1		Lever Assy, Governor
67	BS-92613	1	/P	Bolt, Governor Lever
	BS-231082	1		Nut, No. 10 Mach Screw Type 1
68	IH-76584-C1	1		Plate, Governor Control
69	BS-221535	1	S	Clamp, Casing
	BS-93496	1	S	Screw, Clamp
	710-0432	2	/P	Screw, No. 10NF X 3/8 H/Hd Tap
70	BS-26157	1	S	Spring, Throttle Adj.
	BS-91920	1		Screw, No. 8 X 5/8 Znp Fil/Hds Mach
71	IH-549881-R1	1		Connector, Fuel Pipe
72	IH-76578-C1	1		Tube, Fuel Line
73		2		Clamp, Fuel Line (Common Hardware, Purchase Locally)
74		1		Crankcase - Not Serviced Separately
75	IH-77944-C1	1		Dipper, Connecting Rod
76	721-0208	1	S	Gasket, Exhaust Pipe
	BS-393529	1		Set, Gasket Overhaul



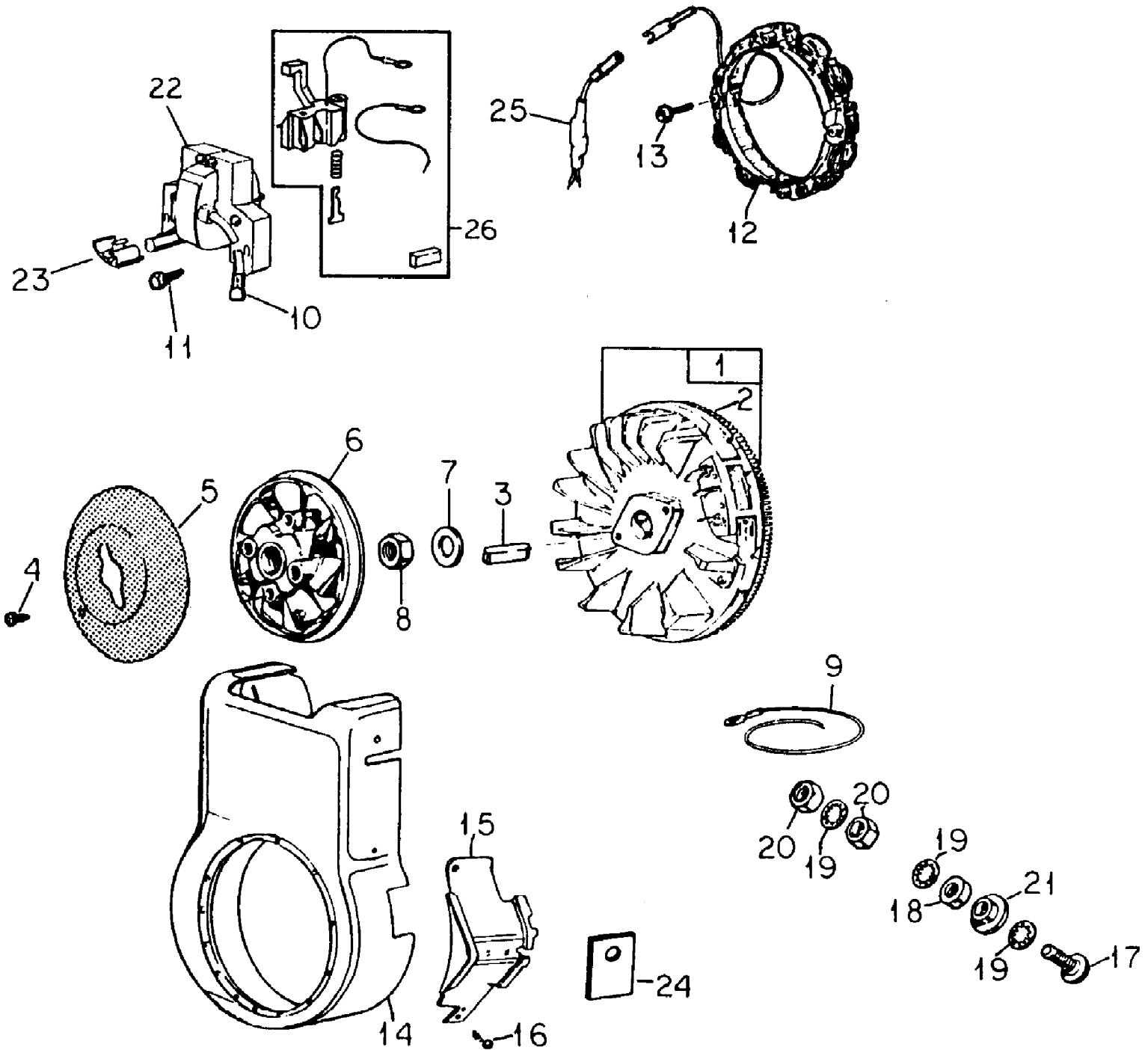
Ref #	Part Number	Qty	S/P/F	Description
1	751-3000	1		Pipe, Oil Drain
1	751-3001	1	/P	Plug, 1/4-18 Automotive Hex Hd Pipe
2	703-0039	1		Duct Assy, Air
2	710-3010	4	/P	Screw, 1/4-20 X 1/4 Znd Hex Hd Flange Lock
3	703-0042-0637	1	/P	Frame, Engine Mount, LH
4	703-0043-0637	1	/P	Frame, Engine Mount, RH
5	759-3952	4	/P	Mounting Kit, Engine Replaces IH-61509-C2, also order 912-3000
5	710-3011	4	/P	Bolt, 3/8 X 2-1/4 Type 5
5	912-3000	4	/P	Nut, Hex Center Lock, 3/8-16 GR5 Do not over-torque
6	IH-61510-C1	2	/P	Bumper, Snubbing Mount Replaces 722-3004
7	703-0044	6	/P	Shim, Snubbing Mount or as required
7	712-3006	2	/P	Nut, 1/4 Type 5
8	703-0045	2		Bar, Engine Mtg
8	710-0514	4	/P	Bolt, 3/8 X 1 Type 5
8	912-3005	4	/P	Nut, 3/8 Flange Lock
9	751-3002-0637	1		Tube Assy, Exhaust
9		4		Screw, No. 8 X 1/4 P/Hdcr Tap (Common Hardware, Purchase Locally), Not shown



482
Fenders

Page 22 of 67

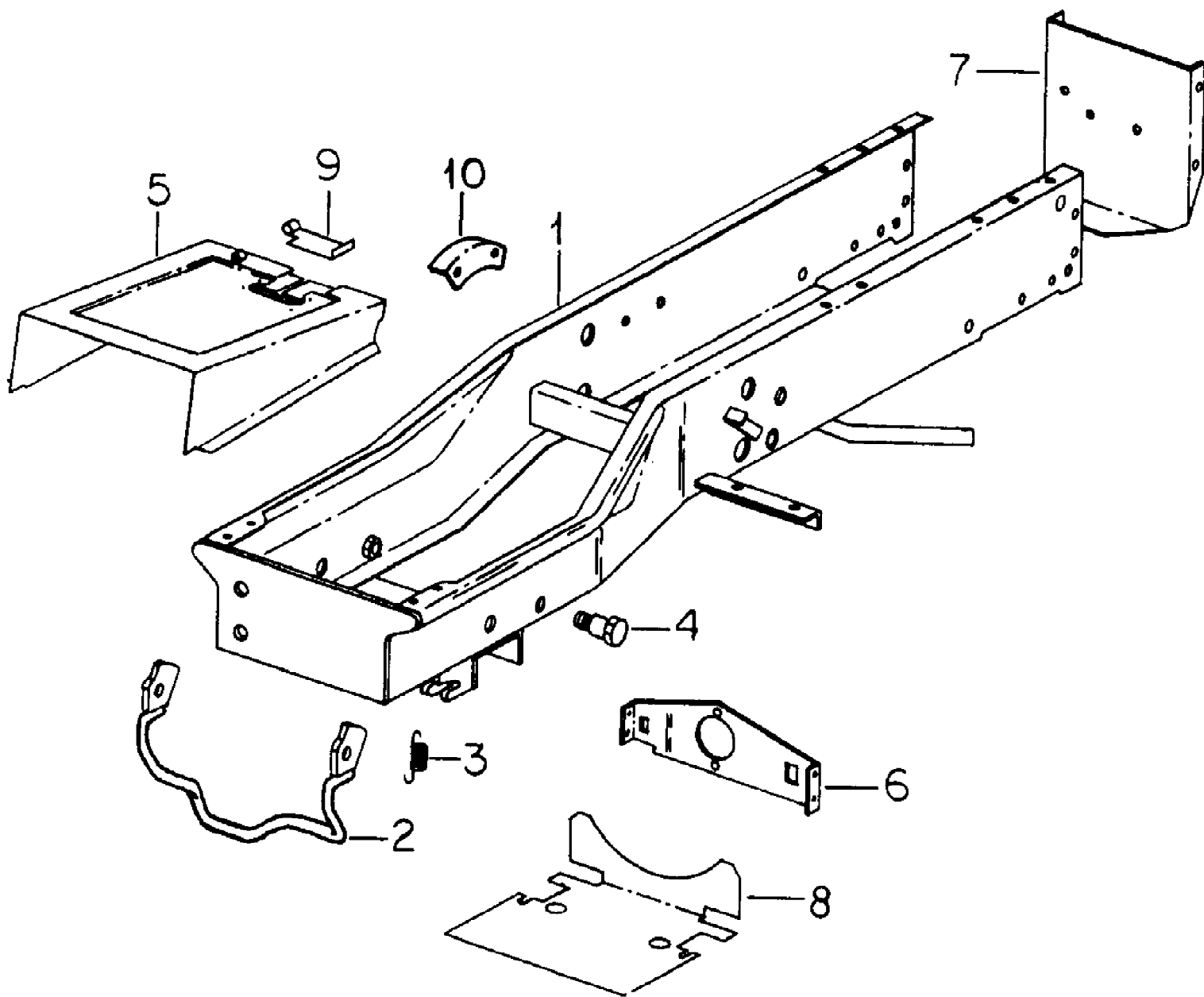
Ref #	Part Number	Qty	S/P/F	Description
1	703-0064	1		Fender Assy
	710-3017	2		Bolt, 3/8 X 1/2 Type 5
	736-0169	2	S	Washer, 3/8 Lock
2	703-0067	1		Cover, Hydro Center
	710-3000	1	S	Bolt, 3/8 X 3/4 Type 5
	736-0140	1	S	Washer, .406 X .812 X .051
3	723-3006	1	/P	Tread, Platform, LH
	IH-535183-R2	3		Screw, Tapping
	712-3009	3	S	Nut, 5/16 Cad P/T Lock Type 5
	KH-25-086-10	1		Bolt
4	723-3007	1	/P	Tread, Platform, RH
	IH-535183-R2	3		Screw, Tapping
	KH-25-086-10	1		Bolt
	712-3009	3	S	Nut, 5/16 Cad P/T Lock Type 5
5	730-3000	2	S	Reflector, Red
6	703-0864	1		Support Assy, Fender
	710-0118	4	S	Bolt, 5/16 X 3/4 Type 5
	736-0275	4	S	Washer, 11/32 X 3/4 X 16 Ga C-Z
7	703-0835	1		Bracket, Switch (Serial Number 720000 and Above)



Flywheel Magneto & Points

Ref #	Part Number	Qty	S/P/F	Description
1	~NLA	1		Flywheel w/Ring Gear Assy, Magneto
2	BS-392134	1	S	Gear, Flywheel Ring
3	BS-222698	1	S	Key, Flywheel
4	BS-93808	4	S	Screw, Flywheel Screen
5	BS-223008	1		Screw, Flywheel
6	BS-212418	1	/P	Fan, Booster
	IH-78227-C1	2		Bolt, Fan Booster
	736-0119	2	S	Washer, 5/16 Lock
7	BS-220865	1		Washer, Spring
8	712-3056	1	/P	Nut, 5/8-NF Jam Type 5
9	BS-398808	1		Cable Assy, Ground
10	BS-221798	1	S	Terminal, Magneto Cable
11	BS-93381	4		Screw, Armature Mounting
12	BS-392595	1	S	Stator, Alternator
13	BS-93621	4	/P	Screw, Stator Mounting
14	IH-76579-C1	1		Housing, Blower
15	BS-395405	1	/P	Cover, Starter Shield
16	BS-93410	2		Screw, Starter Shield
17	BS-93735	1		Screw, Terminal Mounting
18	BS-66068	1		Washer, Insulating
19	BS-92791	3	S	Washer, Lock
20	712-0142	2	/P	Nut, Terminal
21	BS-66554	1		Collar, Insulating
22	BS-398811	1	/P	Armature Assy
23	BS-280186	1		Shield, Capsule
24	BS-222095	1		Retainer, Wire
	BS-93705	1	S	Screw, Retainer
25	BS-392606	1	S	Cable Assy, Alternator
26	BS-394970	1	/P	Module, Magnetron Ignition

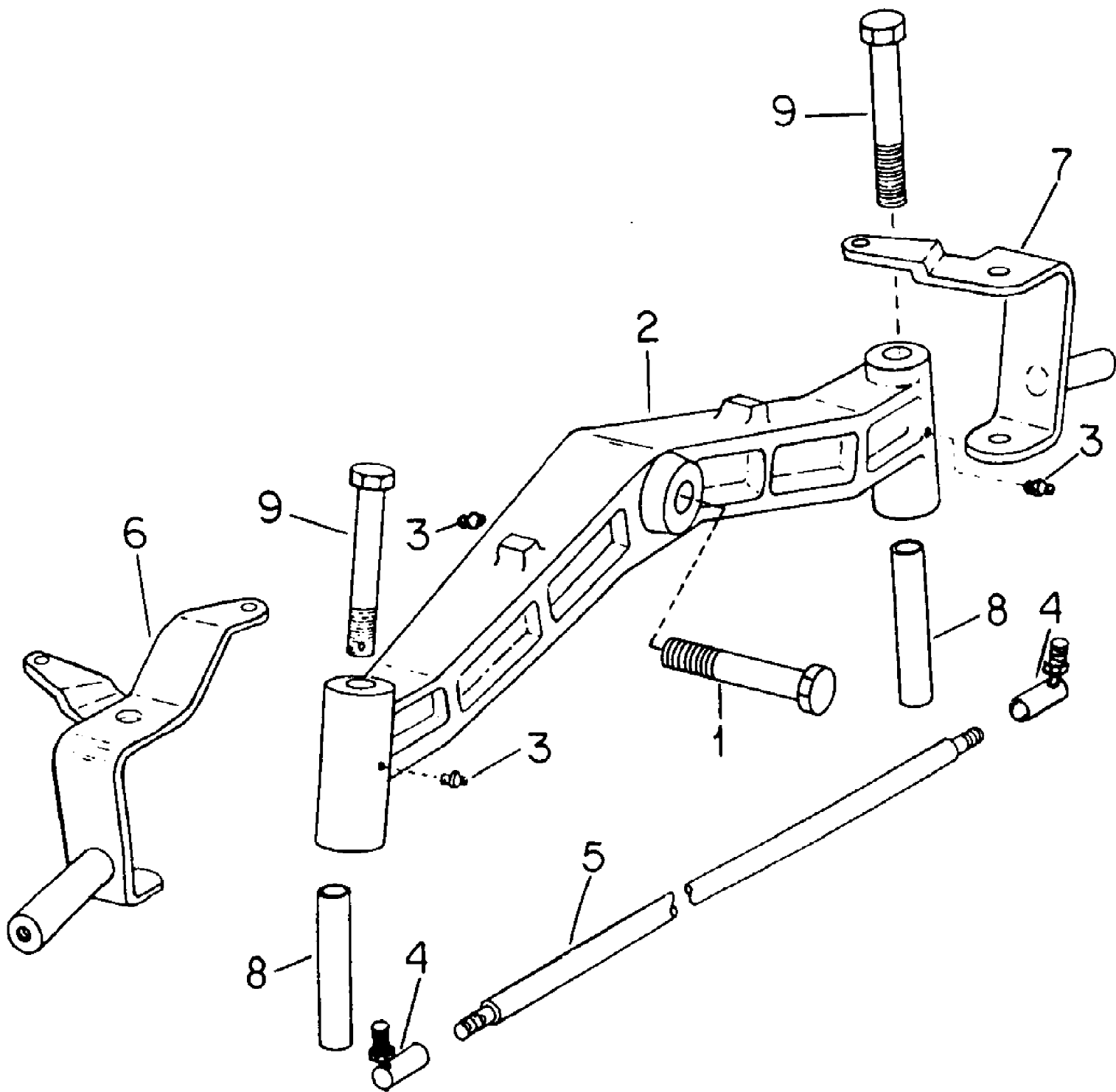
482
Frame



482
Frame

Page 26 of 67

Ref #	Part Number	Qty	S/P/F	Description
1	703-0018	1		Frame, Main
	711-3005	2	/P	Bushing, Frt Axle Pivot Pin
	711-3009	1		Hub, Cam Stop
2	703-1726	1	S	Hitch Assy, Quick
	711-3010	2	S	Pin, 3/8 X 1.060 Clevis
	714-0507	2	S	Pin, 3/32 X 3/4 Cot
3	732-3002	1	S	Spring, Latch
4	738-3001	2	S	Bolt, Implement Mtg Shoulder
	736-0272	2	S	Washer, Implement Mtg
	736-3003	2	/P	Washer, .531 X .688 X .054 Pln
5	IH-223310-C2	1		Cover Assy, Frame w/Product Graphic (Serial Number 719999 and Below)
	759-3081	1		Cover w/Product Graphic (Serial Number 720000 and Above) Cover Assy, Frame
	714-0115	1	S	Pin, 1/8 X 1 Cot
	703-0034	1	/P	Stop, 2nd Gear
	~NLA	5		Rivet, Pop
	779-3011	1	/P	Product Graphic, Caution (Serial Number 719999 and Below)
	779-3203	1		Product Graphic, Caution (Serial Number 720000 and Above)
	710-3007	4	/P	Screw, No. 12 X 3/8 H/Whd Tap
6	703-0035	1		Bracket, Angle Drive
	710-0118	4	S	Bolt, 5/16 X 3/4 Type 5
	712-3004	4	S	Nut, 5/16 Flange Lock
7	703-0036	1		Drawbar Assy
	710-3000	4	S	Bolt, 3/8 X 3/4 Type 5
	736-3004	2	S	Washer, .406 X .875 X .105
	736-0133	2	S	Washer, .406 X 1.250 X .090 Pln
	736-0140	2	S	Washer, .406 X .812 X .051
8	703-0038	1		Cover, Lower Frame
	726-3001	2		Nut, Spring
	710-3039	2	/P	Bolt, 5/16 X 1/2 Type 5
9	703-0034	1	/P	Stop, 2nd Gear
10	703-0828	1		Bracket, Indicator

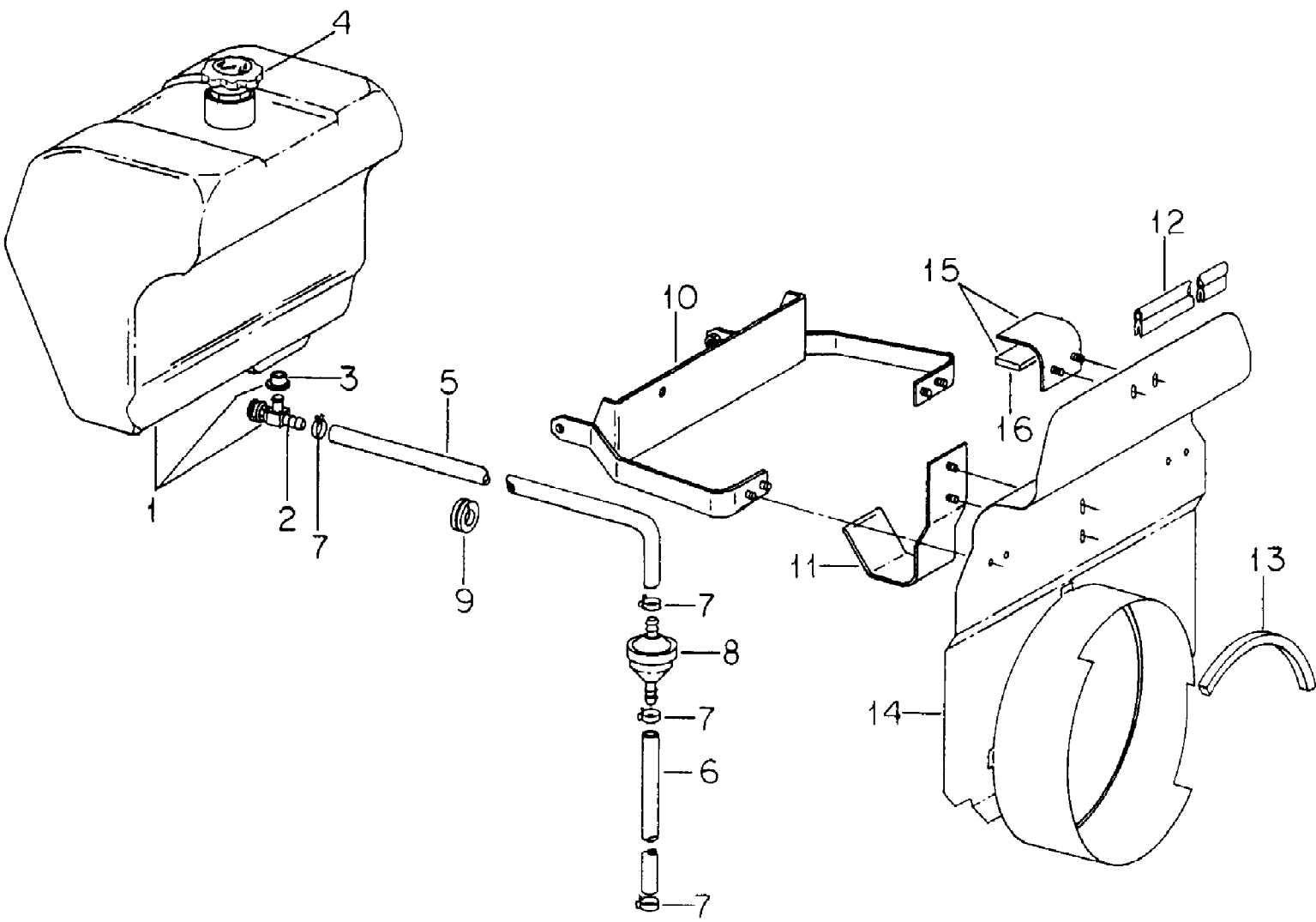


482
Front Axle

Page 28 of 67

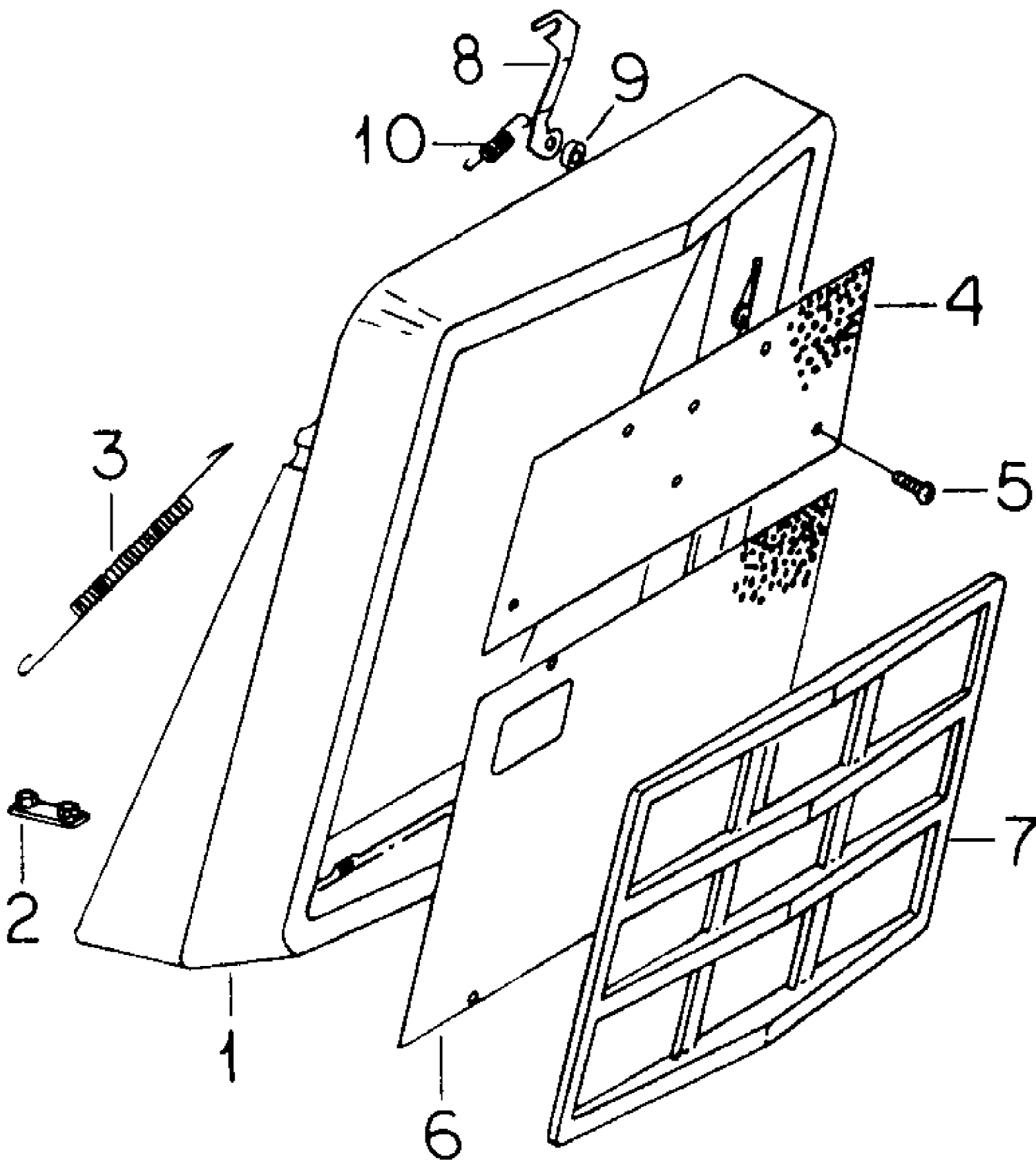
Ref #	Part Number	Qty	S/P/F	Description
1	710-3019	1	/P	Bolt, Front Axle Pivot (Replaces IH-140218-C1 by Also Ordering -1- Bolt 710-3019 and -2- Washers I
	712-3011	1		Nut, 3/4 Slit Type 5
	714-3001	1	S	Pin, 1/8 X 1-1/2 Pln Cot
2	759-3270	1		Axle, Front
3	737-3000	3	S	Fitting, 3/16 Drive Type Str Lub
4	723-3000	2	S	Joint Assy, Ball
	712-3002	2	S	Nut, 3/8-NF Slit Type 5
	714-0507	2	S	Pin, 3/32 X 3/4 Cot
5	711-3018	1	/P	Rod, Tie
	712-3001	2	S	Nut, 3/8-NF Pln Jam Type 5
6	703-0083	1	S	Knuckle Assy, Steering, LH
	710-3000	1	S	Bolt, 3/8 X 3/4 Type 5
	736-3011	1	/P	Washer, .406 X 1.750 X .105
7	703-0085	1	S	Knuckle Assy, Steering, RH
	710-3000	1	S	Bolt, 3/8 X 3/4 Type 5
	736-3011	1	/P	Washer, .406 X 1.750 X .105
8	750-3002	2	S	Spacer, Steering Knuckle
9	710-3020	2	/P	Bolt, Steering Knuckle
	712-3012	2	S	Nut, 1/2-NF Slit Type 5
	714-0111	2	S	Pin, 3/32 X 1 Cot

482
Fuel Tank & Support



482
Fuel Tank & Support

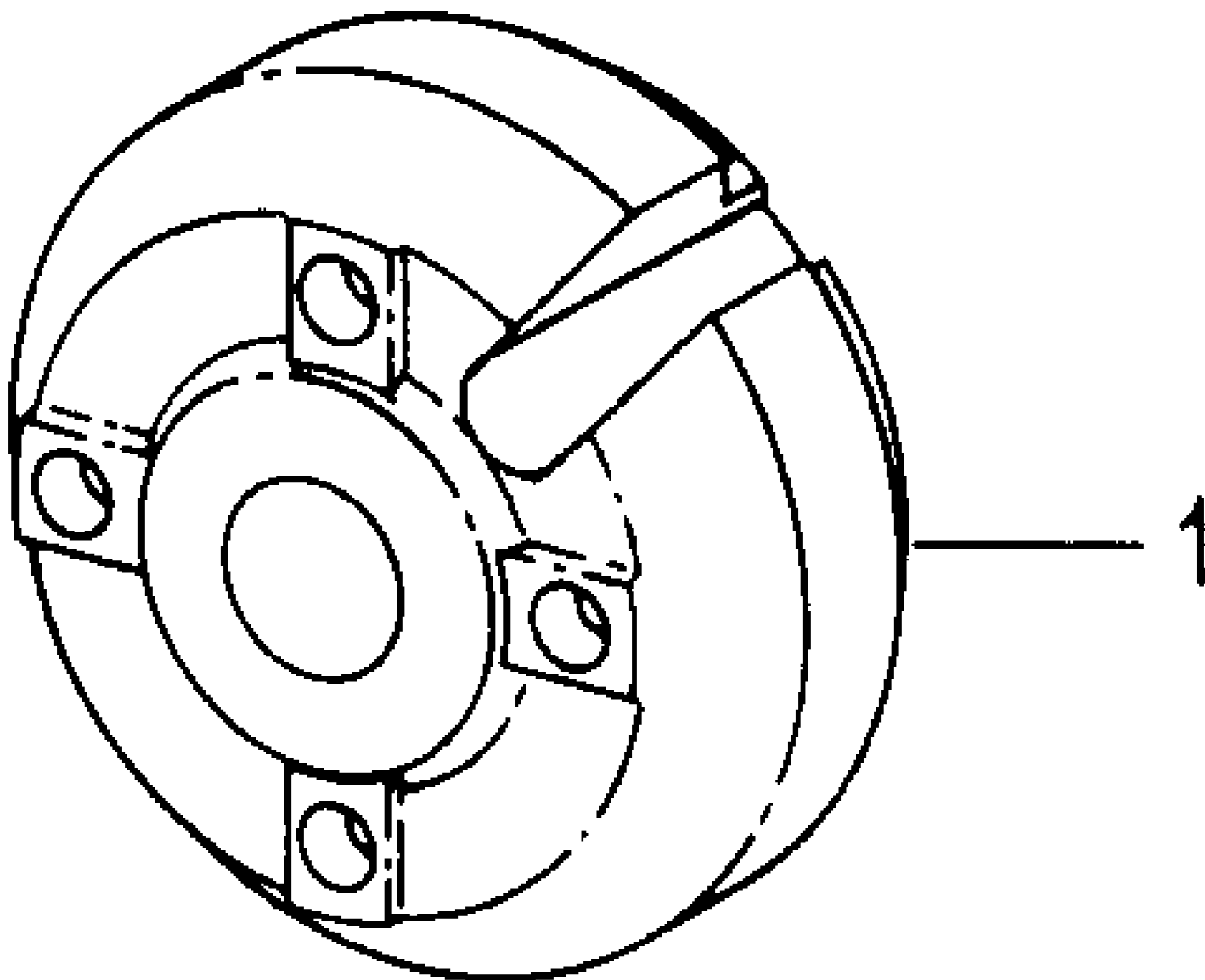
Ref #	Part Number	Qty	S/P/F	Description
1	751-3006	1		Tank Assy, Fuel
2	751-0171	1	S	Valve, Shut-Off
3	751-3008	1	S	Bushing
4	751-0226A	1	S	Cap w/Gauge Assy (Replaces IH-135348-C1 By Also Ordering Gasket 723-3003)
	723-3003	1	/P	Gasket, Fuel Cap
5		1		Line, Fuel (Tractors w/Fuel Filter, Furnish 457 MM 1/2 OD Hose from Bulk Hose Marked 759-3330)
		1		Line, Fuel (Tractors w/o Fuel Filter, Furnish 650 MM 1/2 OD Hose from Bulk Hose Marked 759-3330)
6		1		Line, Fuel (Tractors w/Fuel Filter, Furnish 165 MM 1/2 OD Hose from Bulk Hose Marked 759-3330)
7	726-0205	AR	/P	Clamp, Hose
8	751-3013	1	S	Filter, Fuel (Serial Number 700499 and Below)
9	735-3003	1		Grommet
10	703-0049	1		Support Assy, Fuel Tank
	712-3006	4	/P	Nut, 1/4 Type 5
	710-3013	2	/P	Bolt, 1/4 X 1/2 Type 5
	736-0463	2	S	Washer, .281 X .625 X .051
11	703-0052	1		Support Assy, Fuel Tank Bottom
	736-0275	2	S	Washer, .344 X .688 X .051
	712-3007	2	/P	Nut, 5/16 Jam Type 5
12	723-3004	1	/P	Seal, Heat Baffle
13	~NLA	1		Seal, Foam
	710-0376	2	/P	Bolt, 5/16 X 1 Type 5
	736-0275	3	S	Washer, .344 X .688 X .051
14	703-0054	1		Deflector Assy, Heat
	710-0224	1	S	Screw, No. 10-16 X 1/2 H/Whd Tap
15	703-0057	1		Clamp Assy, Fuel Tank
16	735-3004	1		Strip, Fuel Tank Pad
	736-0463	2	S	Washer, .281 X .625 X .051
	712-3006	2	/P	Nut, 1/4 Type 5



482
Grille

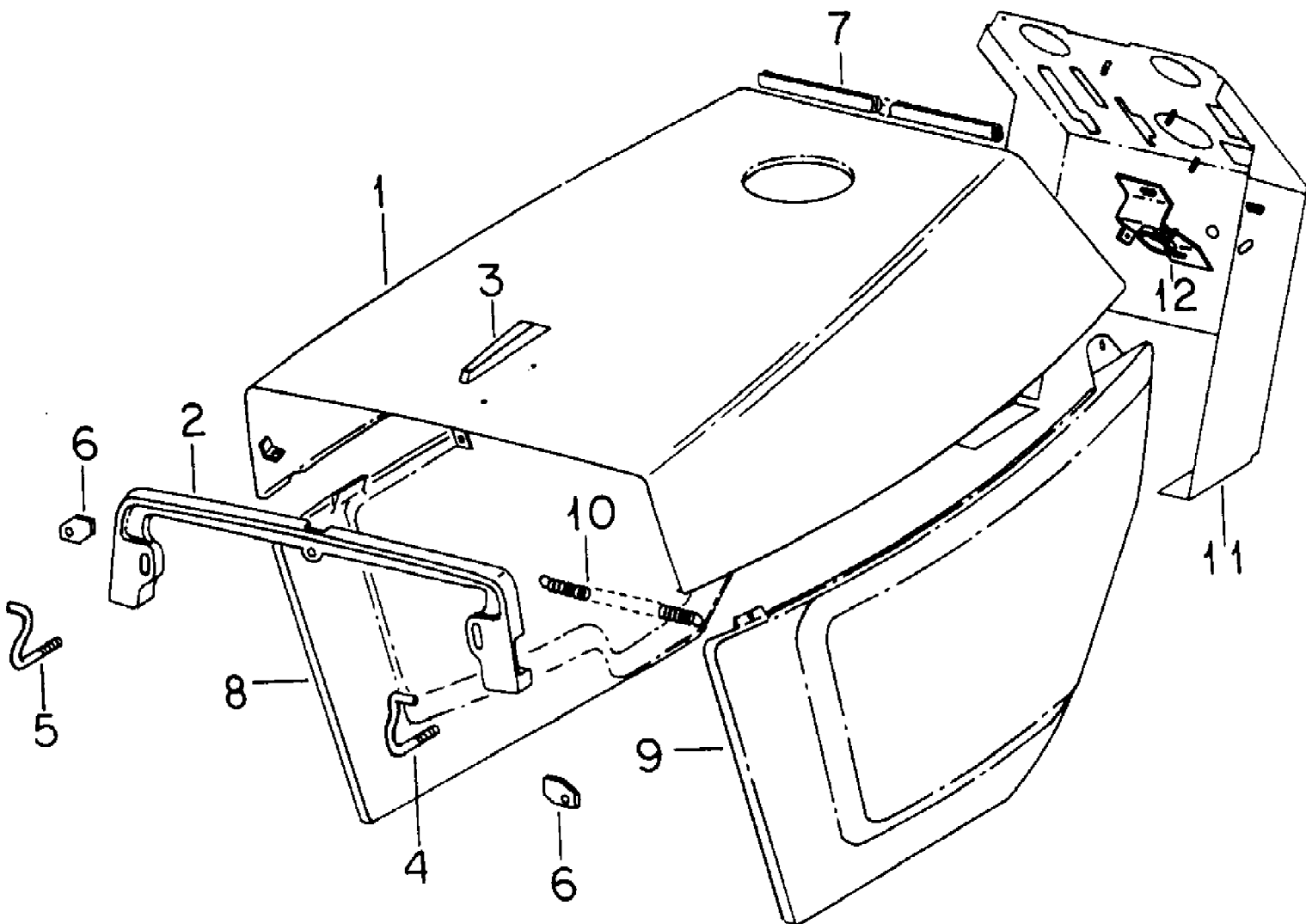
Page 32 of 67

Ref #	Part Number	Qty	S/P/F	Description
1	719-3002	1		Housing, Grille
2	703-0008	1	/P	Retainer Assy, Grille Housing
	710-0376	4	/P	Bolt, 5/16 X 1 Type 5
	736-0119	4	S	Washer, 5/16 Lock
3	IH-104354-C1	2		Spring (For Tractors w/Serial No. 665000 and Below)
	732-3001	2	S	Spring (For Tractors w/Serial No. 665001 and Above)
4	703-0002	1	/P	Screen, Upper Grille
5	710-3003	4	/P	Screw, Headlamp Mtg
	712-0142	4	/P	Nut, No. 8 Mach Screw Type 1
6		1		Not used in this application
7	719-3003	1		Grille (Replaces IH-140198-C1)
	710-3090	1		Screw, No. 8 X 3/8 H/Whd Tap (For Tractors w/Serial No. 665000 and Below)
8	703-0010	1	/P	Latch, Hood
	736-0275	1	S	Washer, .344 X .688 X .051
	710-3004	1	S	Screw, 5/16 X 3/4 H/Hd Tap
9	750-3000	1		Spacer, Hood Latch
10	732-3002	1	S	Spring



482
Group 15 Wheels & Traction

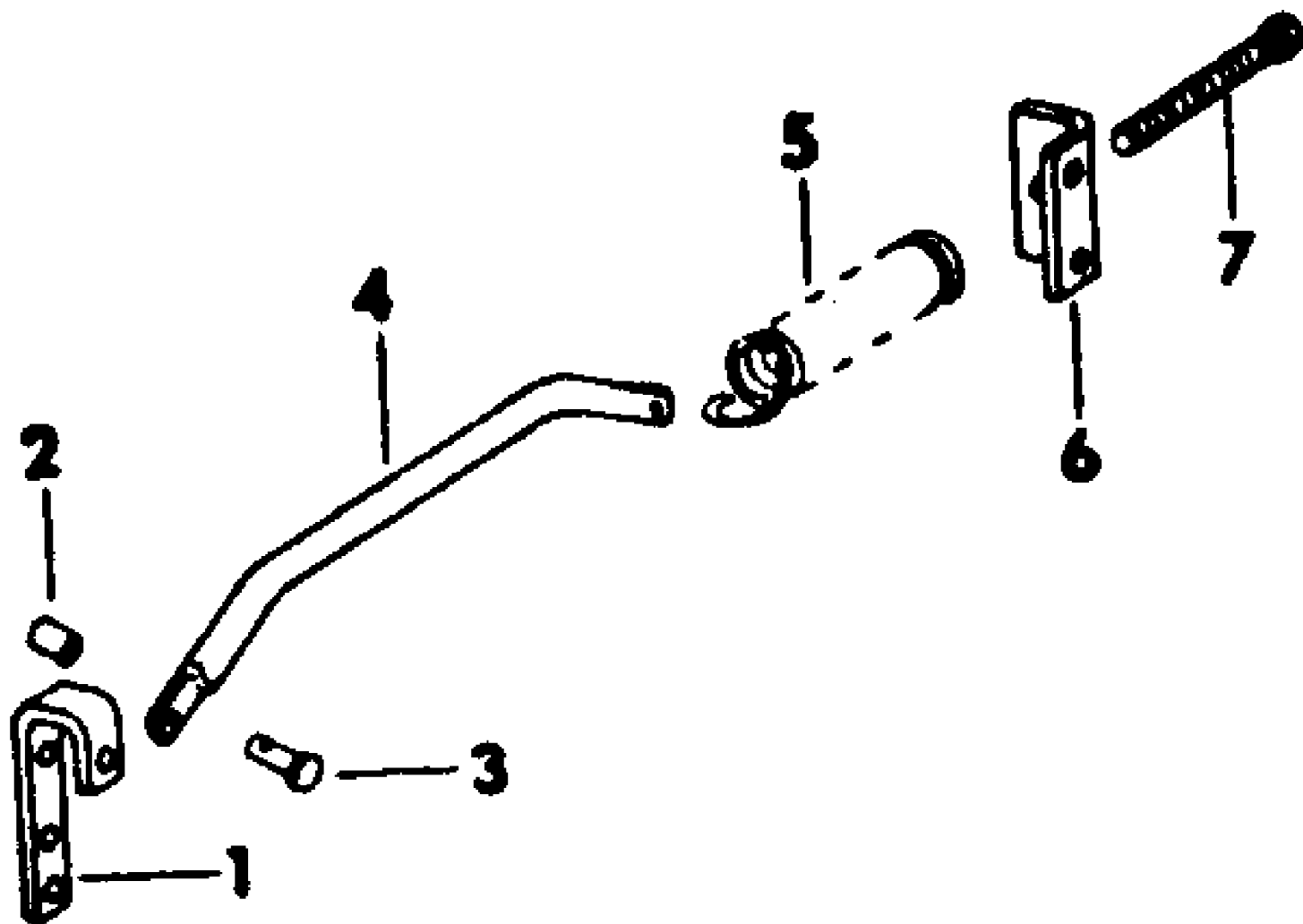
Ref #	Part Number	Qty	S/P/F	Description
1	703-0396	2		Weight, Rear Wheel (Approx 75 Lbs)
	712-0206	12	S	Nut, 1/2 Type 5
	736-0921	8	S	Washer, 1/2 Lock
	736-0272	6	S	Washer, 531 X 1.062 X .074



482
Hood & Side Panels

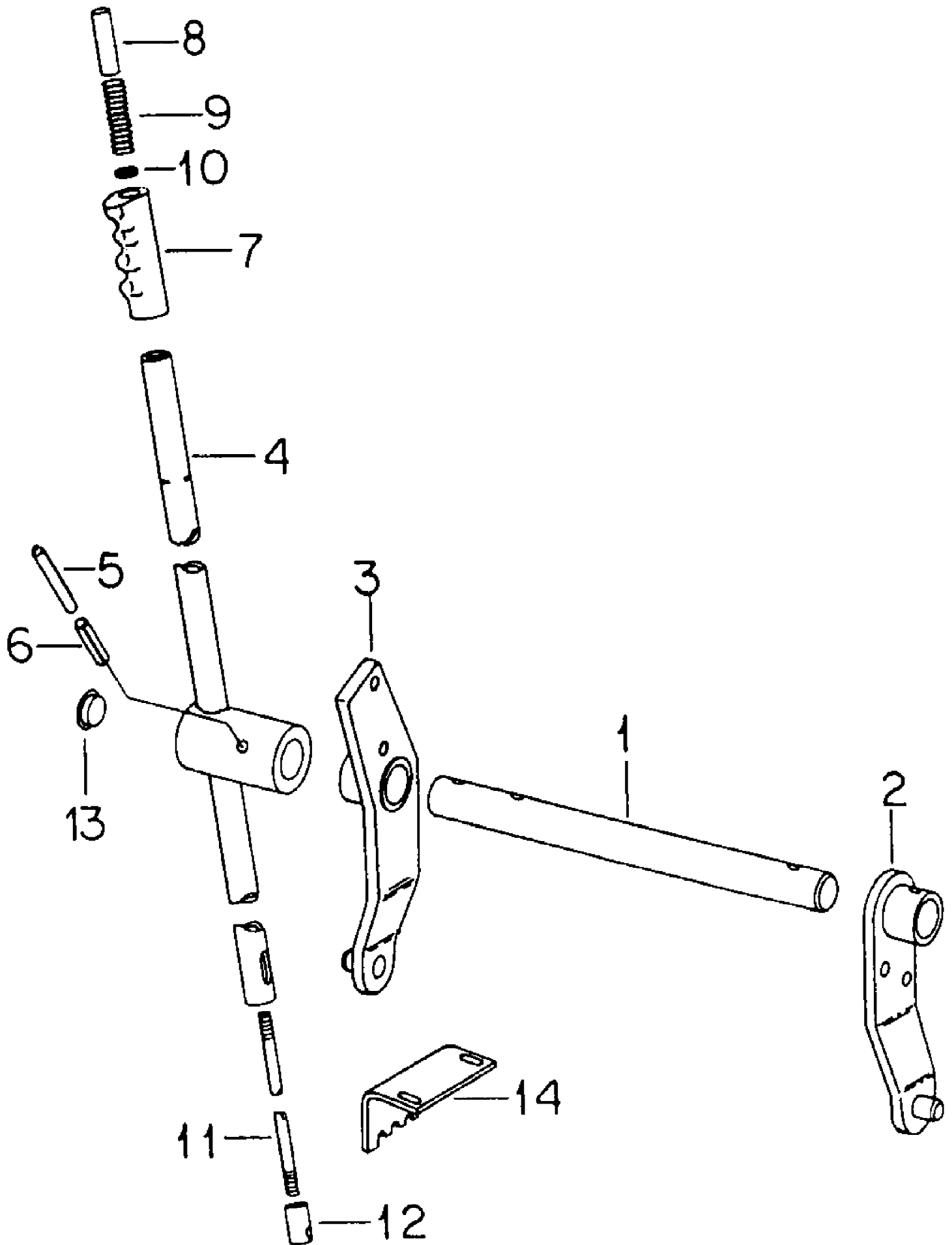
Page 36 of 67

Ref #	Part Number	Qty	S/P/F	Description
1	703-0059	1		Hood Assy
	736-3006	2	/P	Washer, 1/4 Ext Int Tooth Lock
	736-0463	2	S	Washer, .281 X .625 X .051
	710-3015	1	/P	Bolt, 1/4 X 3/4 Type 5
	712-3006	1	/P	Nut, 1/4 Type 5
	710-0578	2	/P	Screw, 1/4 X 1-1/2 Znp P/Hdcr Mach
2	719-3005	1		Support, Hood
3	731-3059	1		Ornament, Hood
	710-3016	2		Screw, No. 8-18 X 1/4 P/Hdcr Tap
4	747-3009	1	/P	Hinge, LH Hood
5	747-3010	1	S	Hinge, RH Hood
6	703-0063	2	/P	Plate, Hood Hinge
	710-3004	2	S	Screw, 5/16 X 3/4 H/Hd Tap
	736-0140	4	S	Washer, .406 X .812 X .051
	712-0342	4	/P	Nut, 3/8 Jam Type 5
7	731-3003	1	S	Seal, Edge
8	703-0082B	1		Panel, RH Side
9	703-0081B	1	S	Panel, LH Side
	736-0463	2	S	Washer, .281 X .625 X .051
	712-3044	2		Nut, 1/4 Wing
10	732-3006	1	S	Spring, Side Panel
11	703-0046	1		Pedestal Assy
	710-3039	4	/P	Bolt, 5/16 X 1/2 Type 5
12	703-0260	1		Support Assy, Steering Column (Replaces 703-0048)
	736-0463	2	S	Washer, .281 X .625 X .051
	712-3006	3	/P	Nut, 1/4 Type 5
	710-3042	1		Bolt, 1/4 X 1 Crg Type 5



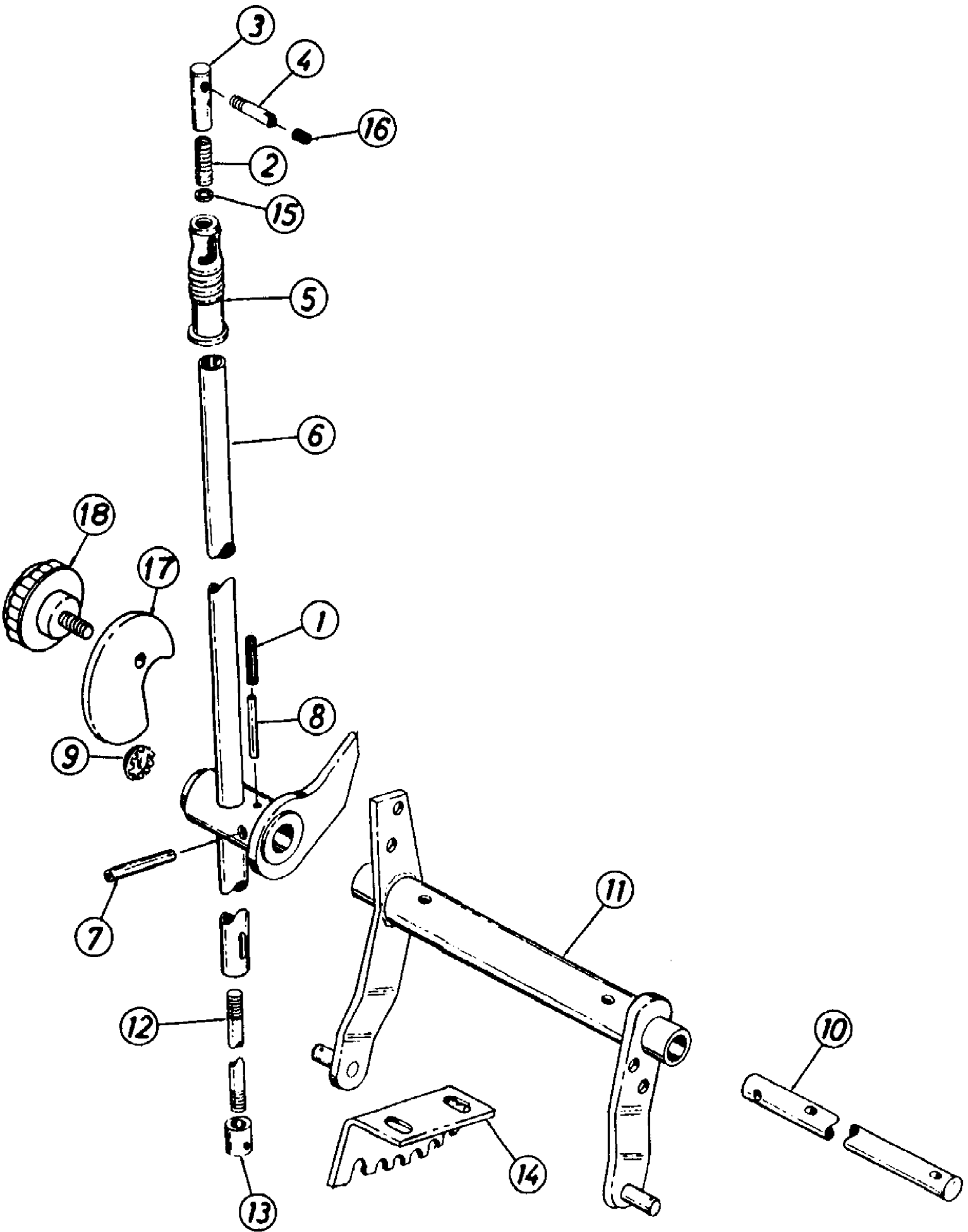
Implement Handle Helper Spring

Ref #	Part Number	Qty	S/P/F	Description
	IH-548380-R92	1		Parts Accessory, Implement Handle Helper Spring
1	IH-548381-R1	1		Lever, Helper Spring
	710-3038	2	/P	Bolt, 5/16 X 7/8 Type 5
	712-0267	2	S	Nut, 5/16 Type 5
2	IH-878986-R1	1		Spacer, 1/4 X 5/8 Std Pipe
3	IH-378484-R1	1		Pin, 5/16 X 1-7/8 Znd Std Hd
	736-0160	1	S	Washer, .531 X 1.000 X .056
	714-0474	1	S	Pin, 1/8 X 5/8 Cot
4	IH-548382-R1	1		Rod, Helper Spring
5	IH-485298-R1	1		Spring, Tension
6	IH-548383-R1	1		Bracket, Helper Spring
	710-3000	2	S	Bolt, 3/8 X 3/4 Type 5
	712-0798	2	/P	Nut, 3/8 Type 5
7	IH-485351-R1	1		Bolt, Adjustment



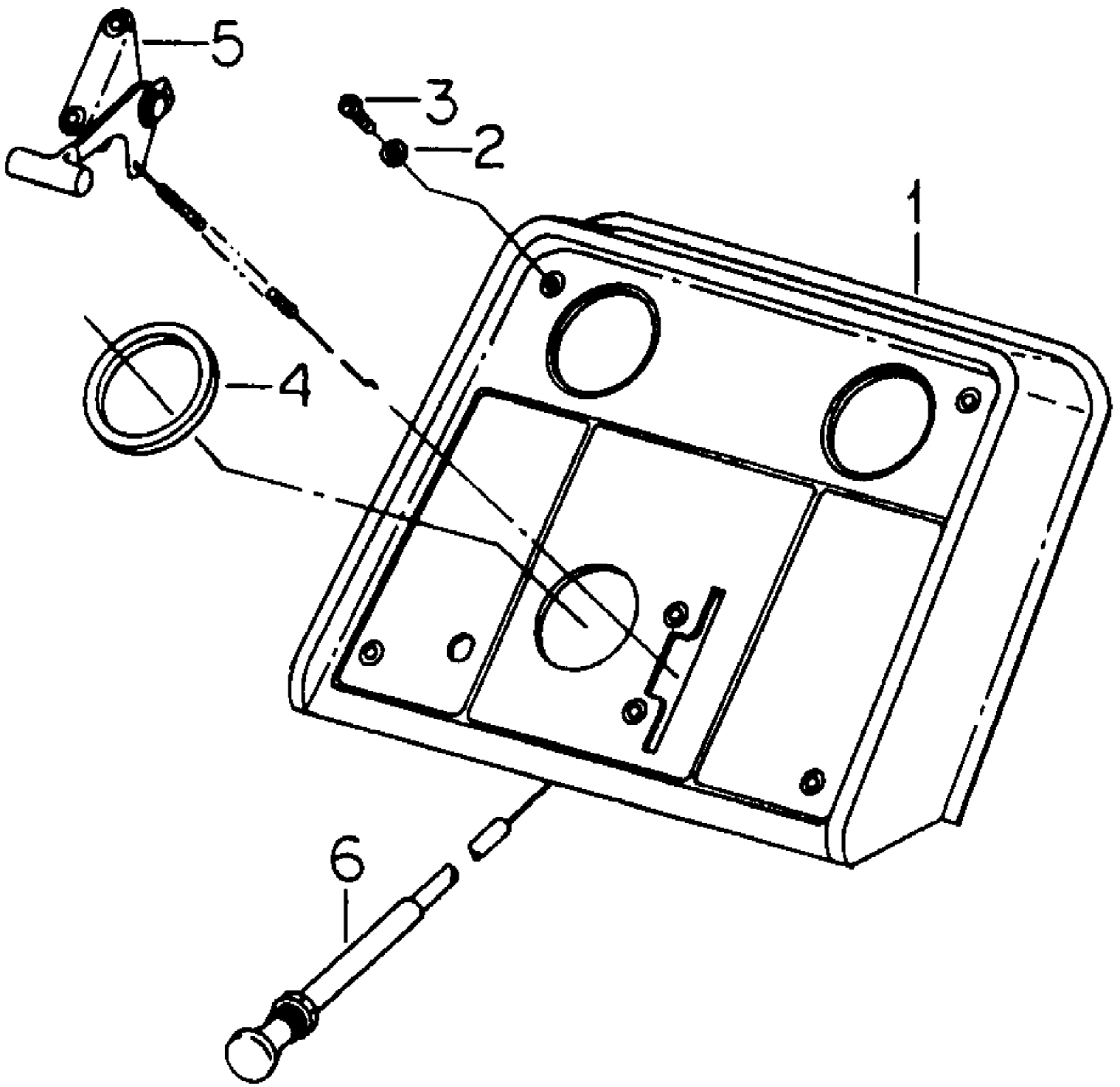
Implement Lift Handle-SN 716387 & Below

Ref #	Part Number	Qty	S/P/F	Description
1	738-3002	1		Rockshaft
2	703-0075	1		Arm Assy, Lift, LH
3	703-0077	1		Arm Assy, Lift, RH
	715-3020	2		Pin, 3/8 X 2 Hvy Pln Cld Spr
4	703-0841	1		Handle Assy, Lift
	~NLA	1		Pin, 3/16 X 2-5/8 Pln Cld Spr
5	720-3002	1		Pointer, Lift
6	715-3020	1		Pin, 3/8 X 2 Hvy Pln Cld Spr
7	720-3003	1		Grip, Lift Handle
8	711-3015	1	/P	Plunger, Release
9	732-3005	1	S	Spring, Lift Handle
10	736-3009	1	/P	Washer
11	747-3011	1		Stud, Handle
12	711-3016	1		Rod, Handle Release
	715-3002	1	S	Pin, 5/16 X 1-1/2 Hvy Pln Cld Spr
13	726-3005	1		Plug, Button
14	703-0080	1		Ratchet, Handle
	710-0514	2	/P	Bolt, 3/8 X 1 Type 5
	712-3000	2	S	Nut, 3/8 Cad P/T Lock Type 5
	736-0267	2	S	Washer, .406 X .812 X .065 Hdn



Implement Lift Handle-SN 716388 & Up

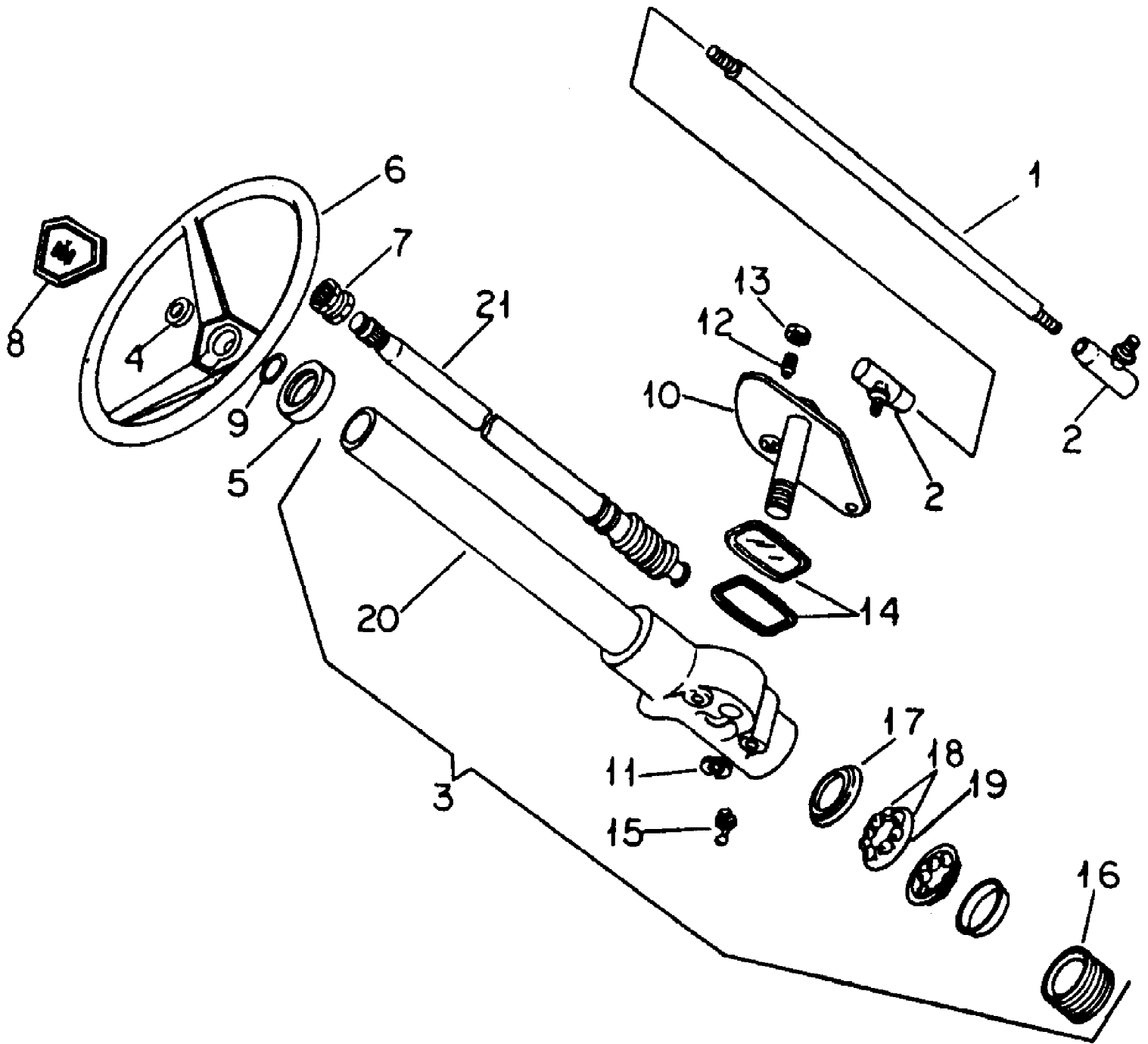
Ref #	Part Number	Qty	S/P/F	Description
1	720-3002	1		Pointer, Lift
2	732-3005	1	S	Spring, Lift Handle
3	711-3015	1	/P	Pin, Release
4	711-3124	1	S	Pin, Float
5	720-3013	1		Grip, Lift Handle
6	703-0841	1		Lever Assy, Lift
7	715-3020	1		Pin, 3/8 X 2 Hvy Pln Cld Spr
8	715-3025	1		Pin, 3/16 X 3 Med Pln Cld Spr
9	726-3005	1		Plug, 1.0 Hole Dia Crb Button
10	738-3043	1		Rockshaft
11	703-0836	1		Arm Assy, Rockshaft
	715-3020	2		Pin, 3/8 X 2 Hvy Pln Cld Spr
12	747-3011	1		Stud, Handle
13	711-3016	1		Rod, Handle Release
	715-3002	1	S	Pin, 5/16 X 1-1/2 Hvy Pln Cld Spr
14	703-0080	1		Ratchet, Handle
	710-0514	2	/P	Bolt, 3/8 X 1 Type 5
	712-3000	2	S	Nut, 3/8 Cad P/T Lock Type 5
	736-3010	2	/P	Washer, .406 X .812 X .134 Phc Hdn
15	736-3009	1	/P	Washer
16	720-3014	1	/P	Cap, Float Lock Pin
17	703-0189	1	/P	Cam , Lift Handle Stop
	736-0140	1	S	Washer, .406 X .812 X .051
18	720-3005	1		Knob, Torque



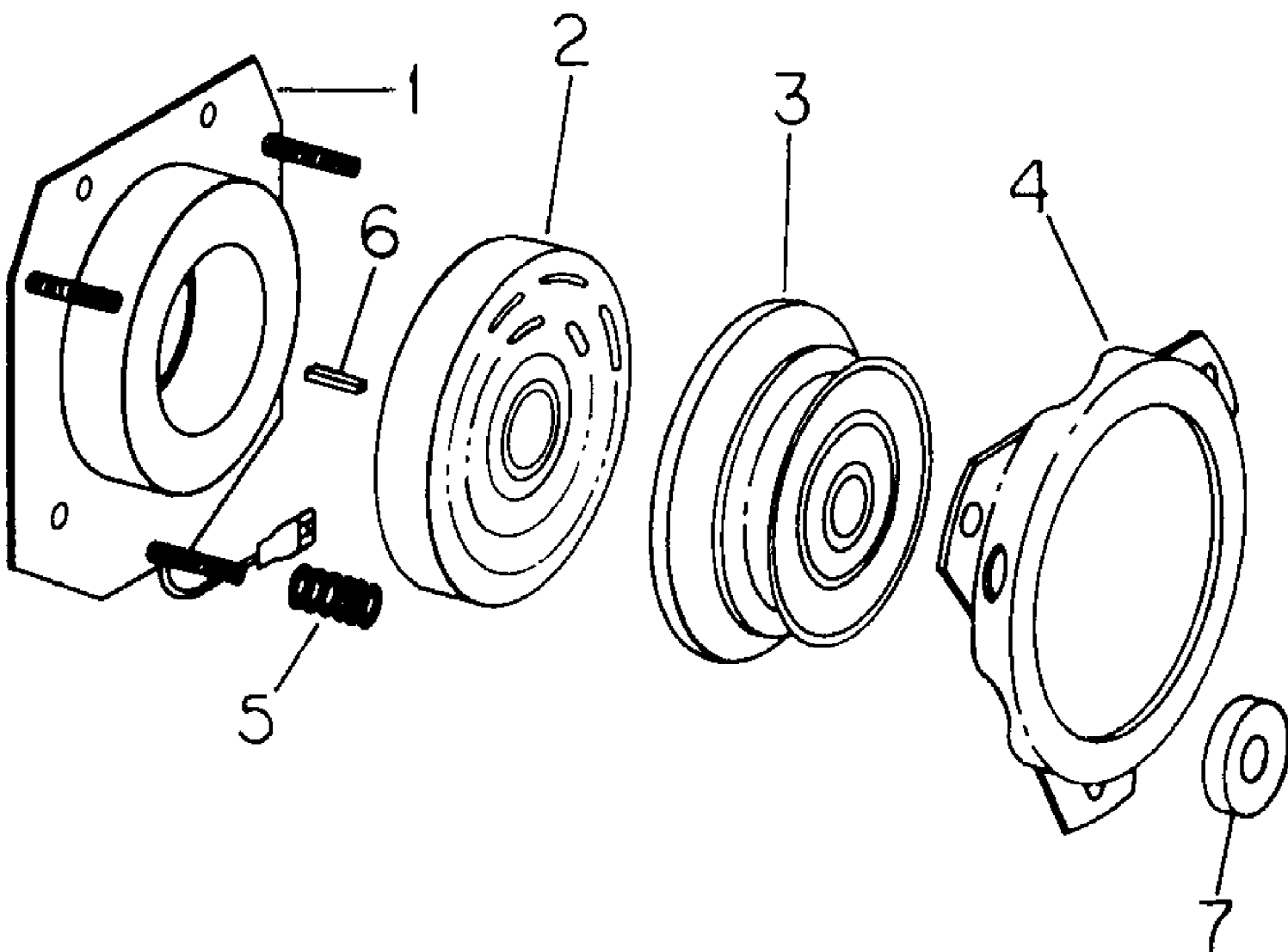
482
Instrument Panel

Page 44 of 67

Ref #	Part Number	Qty	S/P/F	Description
1	731-3002	1		Panel, Instrument
2	736-3005	6		Washer, Flat
3	710-3009	6	/P	Screw, Tapping
4	735-3002	1		Grommet, Instrument Panel
5	746-3000	1	S	Control, Throttle
6	746-3001	1	S	Cable, Choke

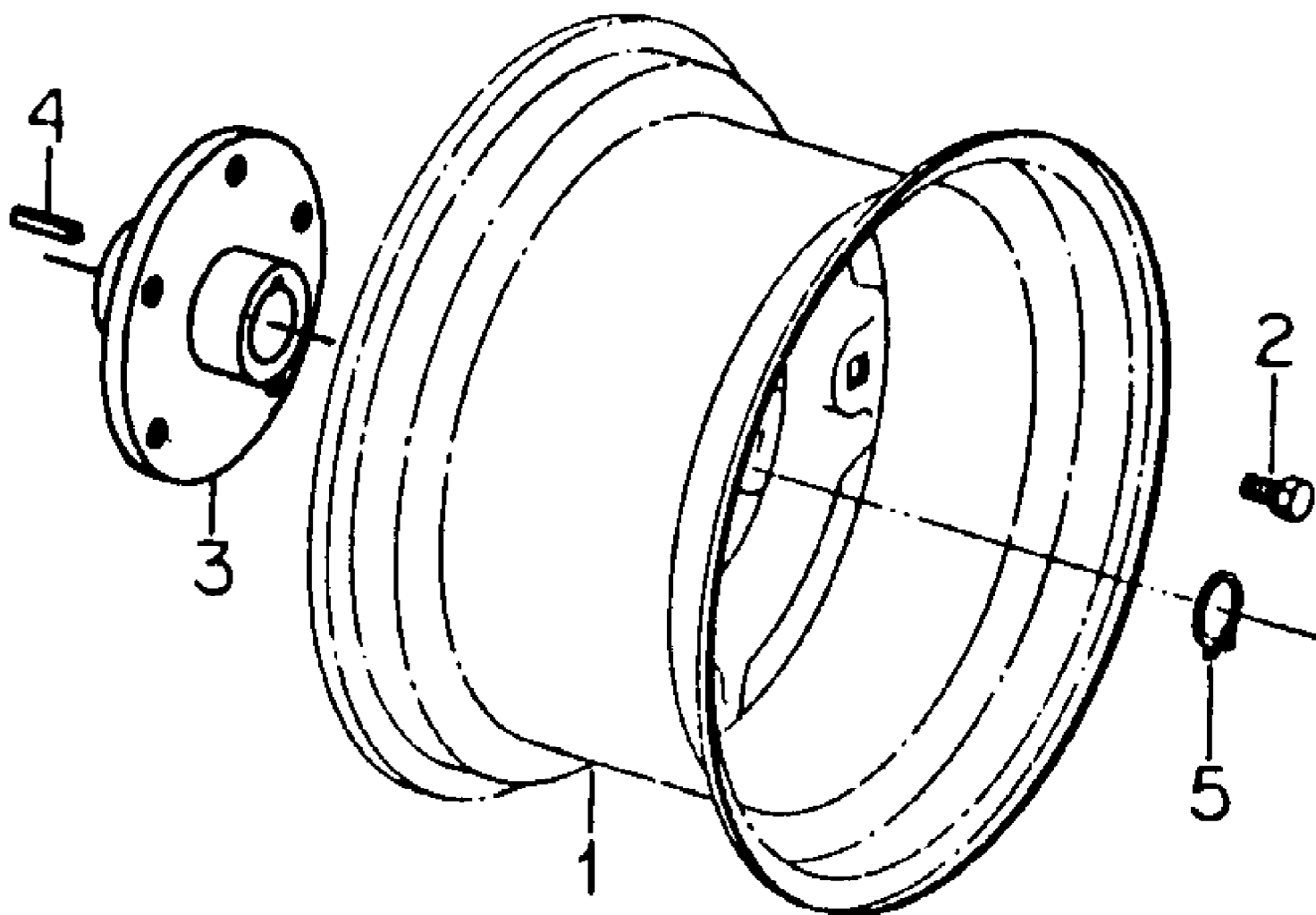


Ref #	Part Number	Qty	S/P/F	Description
1	711-3000	1		Link, Steering Gear Drag
	712-3001	2	S	Nut, 3/8-NF Pln Jam Type 5
2	723-3000	2	S	Joint, Ball
	712-3002	2	S	Nut, 3/8-NF Slit Type 5
	714-0507	2	S	Pin, 3/32 X 3/4 Cot
3	703-1085	1	/P/F	Gear Assy, Steering (Marked CCC)
	~NLA	1		Gear Assy, Steering (Marked Ross) [Consists of Ref. No. 10, 11, 12, 13, 14, 15, 16, 17 (Qty 2), 18 (Qty 2), 2
4	723-3001	1	S	Seal, Steering Gear
5	741-3000	1	S	Bearing, Column Upper
	710-3001	2	/P	Bolt, 3/8 X 7/8 Pln Type 5
	736-0169	2	S	Washer, 3/8 Lock
6	731-3000	1	/P	Wheel Assy, Steering
7		1		Not used in this application (Furnished as Part of Wheel Assy)
8	731-3001	1	/P	Cap, Steering Wheel
9	721-3000	1	/P	O-Ring, 1-3/4 X 1/8
10	IH-385522-R1	1		Lever & Bolt
	712-3056	2	/P	Nut, 5/8-NF Jam Type 5
11	IH-308362-C1	1		Washer, Flat - CDP
12	IH-62806-C1	1	S	Stud, Cam Follower
13	712-3029	1	/P	Nut, 1/2-NF Jam Type 5
14	IH-394936-R91	1		Package, Seal & Seal Retainer
15	IH-273360	1		Fitting, 1/4 65 Deg. Angle Lub
16	IH-394288-R1	1	/P	Plug, Adjusting
	714-3015	1		Pin, 1/8 X 1/2 Pln Cot
17	IH-379405-R1	2	S	Cup
18	IH-389081-R91	2	S	Bearing
19		2		Retainer, Ball (Order IH-389081-R91)
20	IH-401277-R1	1		Tube, Housing & Jacket Use 703-1085
21	IH-385984-R91	1	S	Cam & Tube Assy
	712-3056	1	/P	Nut, 5/8-NF Jam Type 5



482
PTO Clutch

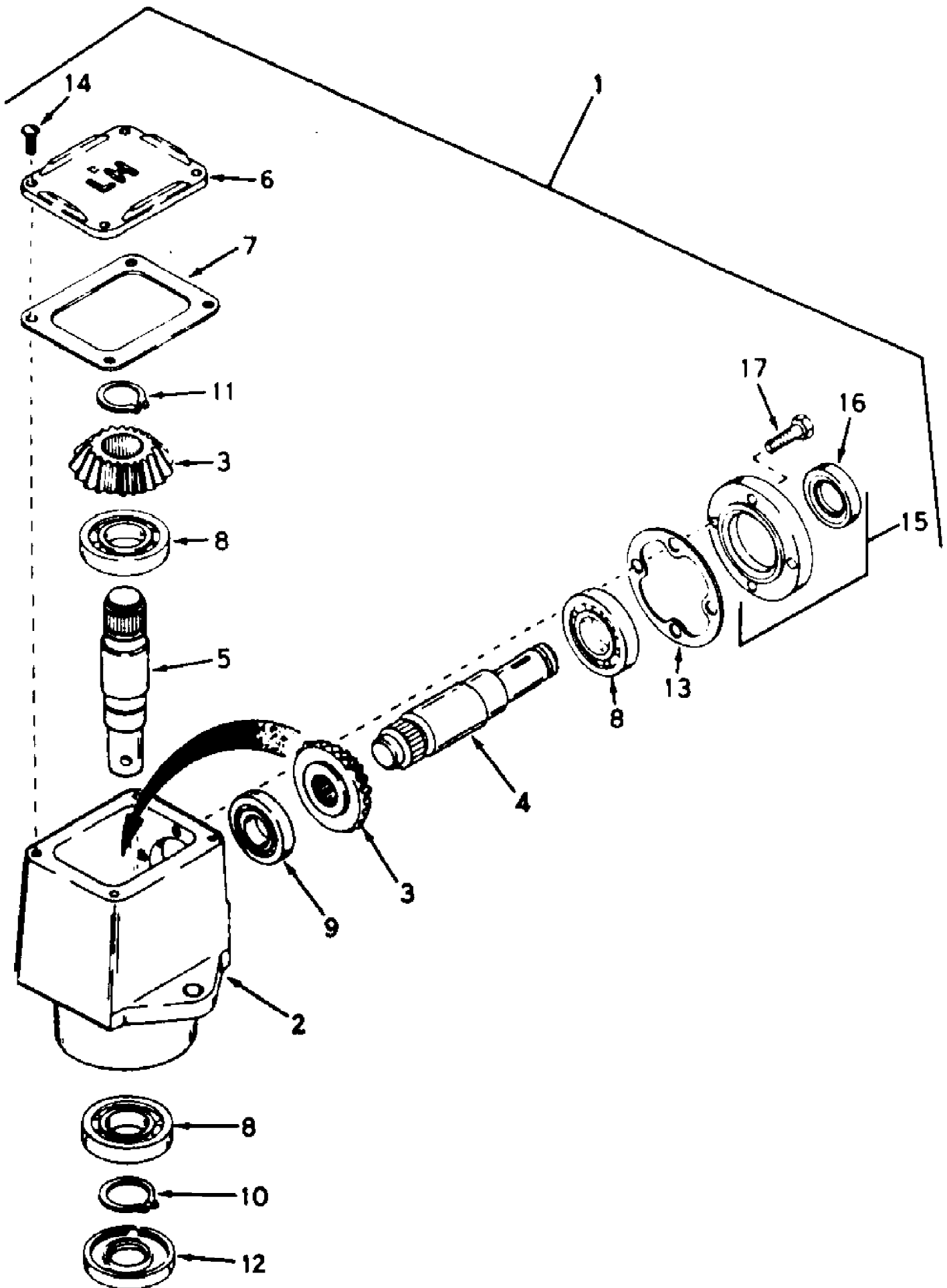
Ref #	Part Number	Qty	S/P/F	Description
	717-3002	1	S	Clutch Assy, PTO
1	IH-223412-C1	1		Field Assembly
2	IH-223411-C1	1		Rotor
3	IH-223410-C1	1		Armature
4	759-3305	1		Brake Drum
5	759-3306	1	/P	Spring & Nut Kit
6		1		Key, 1/4 X 5/8 Sq Parallel (Common Hardware, Purchase Locally)
	710-3000	4	S	Bolt, 3/8 X 3/4 Type 5
	736-0169	4	S	Washer, 3/8 Lock
7	711-3004	1	/P	Washer, PTO
	710-0191	1	/P	Bolt, 3/8-NF X 1-1/4 Type 5



482
Rear Wheels & Hubs

Page 50 of 67

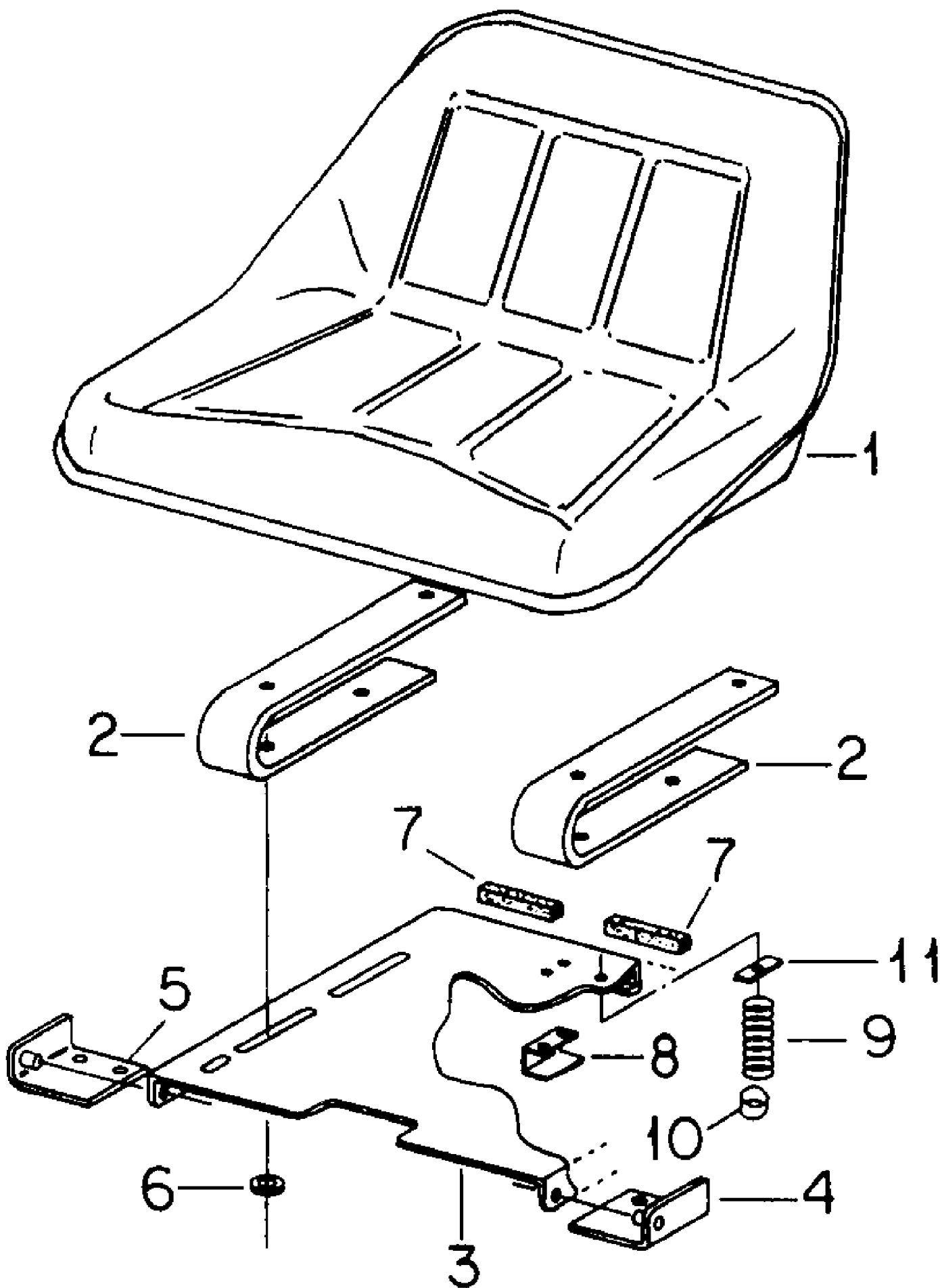
Ref #	Part Number	Qty	S/P/F	Description
1	734-3004	2		Wheel, Rear w/7JA-12 Rim
	734-3013	2	S	Wheel, Rear w/8-1/2JA-12 Rim
2	710-3027	10	/P	Bolt, Wheel
3	703-0015	2		Hub Assy, Rear Wheels (Replaces IH-132014-C1)
4	714-3000	2		Key, 1/4 X 1-1/8 Woodruff 18
	736-3002	4		Washer, 1.031 X 2.000 X .054
5	716-0102	2	S	Ring, Ret
	734-0255	2	S	Valve, TR-413 Tubeless Type



482
Right Angle Drive

Page 52 of 67

Ref #	Part Number	Qty	S/P/F	Description
1	~NLA	1		Drive, Right Angle
2	TC-770026A	1		Housing, Right Angle Drive
3	TC-778046	2	/P	Gear, Miter
4	TC-776188	1		Shaft, Input
5	TC-776187	1		Shaft, Output
6	TC-772035	1		Cover, Housing
7	TC-788028	1	/P	Gasket, Cover
8	TC-780034	3	/P	Bearing Assy, Ball
9	TC-780024	1	/P	Bearing Assy, Ball
10	716-3014	1		Ring, Snap
11	716-3001	1	S	Ring, Snap
12	TC-788029	1	S	Seal, Oil
13	TC-788030	1	S	Gasket, Cap
14	TC-792025	4	/P	Screw, 10-24 X 1/2 Rd Hd Self-Tapping
15	TC-786029	1	/P	Cap and Seal Assy, Retainer
16	TC-788031	1	/P	Seal, Oil
17	TC-792026	4	/P	Bolt, 1/4 X 7/8 Type 5

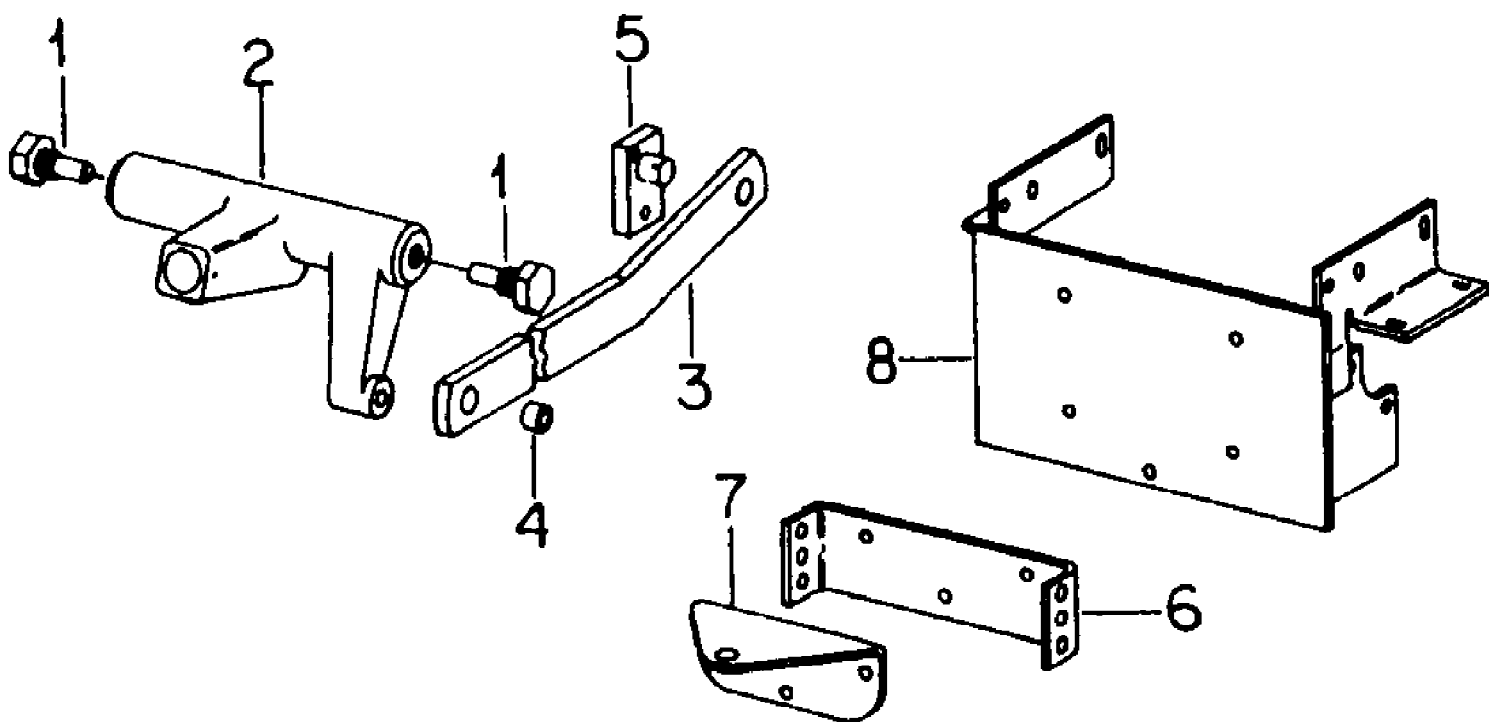


482
Seat & Support

Page 54 of 67

Ref #	Part Number	Qty	S/P/F	Description
1	759-3148	1	/P	Seat Assy
2	703-0068	2	/P	Spring, Seat
	710-0118	4	S	Bolt, 5/16 X 3/4 Type 5
3		1		Cover (Order Package 759-3065)
	710-0376	4	/P	Bolt, 5/16 X 1 Type 5
	736-3008	4	S	Washer, .344 X .750 X .105
	712-0267	4	S	Nut, 5/16 Type 5
4	703-0070	1		Bracket Assy, Pivot, LH
	710-3000	2	S	Bolt, 3/8 X 3/4 Type 5
	736-0169	2	S	Washer, 3/8 Lock
5	703-0072	1		Bracket Assy, Pivot, RH
	710-3000	2	S	Bolt, 3/8 X 3/4 Type 5
	736-0169	2	S	Washer, 3/8 Lock
6	736-3070	4	/P	Washer, 11/32 X 1-1/2 X 11 Ga
7	735-3005	2		Bumper, Seat Support Adhesive, Loctite #495
8	703-0074	1		Channel, Switch Actuator
	710-0473	2	/P	Screw, No. 10 X 1/2 P/Hdcr Tap
9	732-3004	1	/P	Spring, Seat Switch
10	720-3001	1	/P	Cap, Spring
	710-0473	1	/P	Screw, No. 10 X 1/2 P/Hdcr Tap
11	726-3004	1		Nut, Spring
	759-3065	1		Package, Cover & Product Graphics (Replaces Cover IH-135600-C92)
	735-3005	2		Bumper
	779-3229	1		Product Graphic, Fuel Warning
	779-3296	1	/P	Product Graphic, Booster Battery
	703-0069	1		Cover, Battery Box

482
Sleeve Hitch



482
Sleeve Hitch

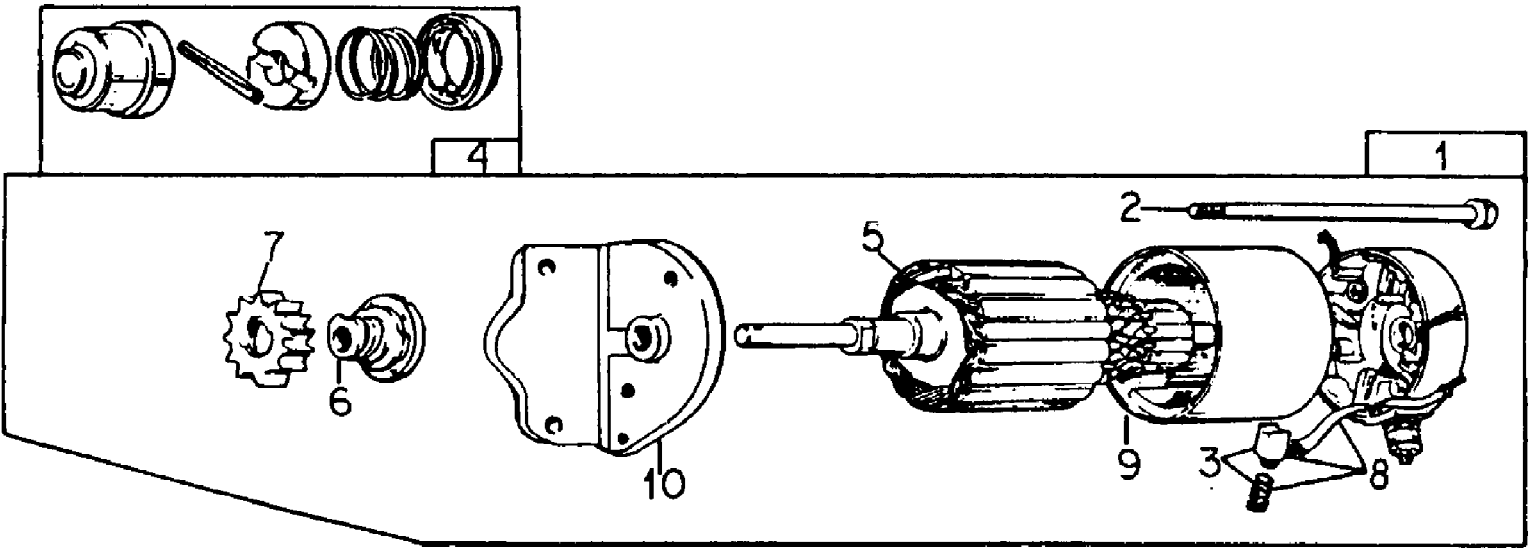
Page 56 of 67

Ref #	Part Number	Qty	S/P/F	Description
1	IH-64872-C1	2	S	Bolt, Stud Shaft
	IH-219759	2		Nut, 7/8-14 UNF Jam
2	719-3024	1	/P	Lever, Lift
		1		Bolt, 1/2 X 1-3/8 Type 8 (Common Hardware, Purchase Locally)
	736-3003	1	/P	Washer, .531 X .750 X .054
	736-3013	1	S	Washer, .531 X 1.000 X .027
3	703-0397	1		Bar, Lift
4	711-3073	1	/P	Spacer, Lift Arm
5	703-0398	1	/P	Plate Assy, Lift Bar
	710-3063	2	S	Bolt, 3/8 X 3/4 Type 8
	714-0470	1	S	Pin, 1/8 X 1-1/4 Cot
6	703-0400	1	S	Link, Lower Hitch
7	703-0401	1		Drawbar, Fixed
	710-3005	3	/P	Bolt, 3/8 X 1-1/4 Type 5
	736-0169	3	S	Washer, 3/8 Lock
	712-0798	3	/P	Nut, 3/8 Type 5
8	703-0402	1		Bracket Assy, Hitch
	712-3000	2	S	Nut, 3/8-16 Lock
	IH-26679-R1	4		Bolt, 5/16 X 1-1/4 Phc P/T Type 8
	736-0119	4	S	Washer, 5/16 Lock

Sleeve Hitch Adapter-To Mount Yoke Type Implements To Sleeve

Ref #	Part Number	Qty	S/P/F	Description
1	BR-H-190	1		Adapter, Sleeve Hitch
2	BR-H-200P	3		Pin, 1/2 X 1.500 Hd Type 1
3	736-0272	3	S	Washer, .531 X 1.062 X .074
4	~NLA	2		Bolt, 5/8 X 2 Type 5
5	712-3015	2	S	Nut, 5/8 Jam Type 5 Purchase Locally
6	BR-H-130P-01	1	S	Pin, Sleeve
7	BR-H-193	2	/P	Strap, Lift
8	BR-H-199P	1		Pin, 1/2 X 2.500 Type 5 Hd
9	736-0272	2	S	Washer, .531 X 1.062 X .074
10	BR-D-146P	1		Pin, QA Cotter
11	BR-H-194	1		Rod, Lift
12	BR-50M0632P	1		Pin, 3/16 X 2 Cot
	714-3001	1	S	Pin, 1/8 X1-1/2 Cot
13	BR-H-158	1		Plate, Stabilizer

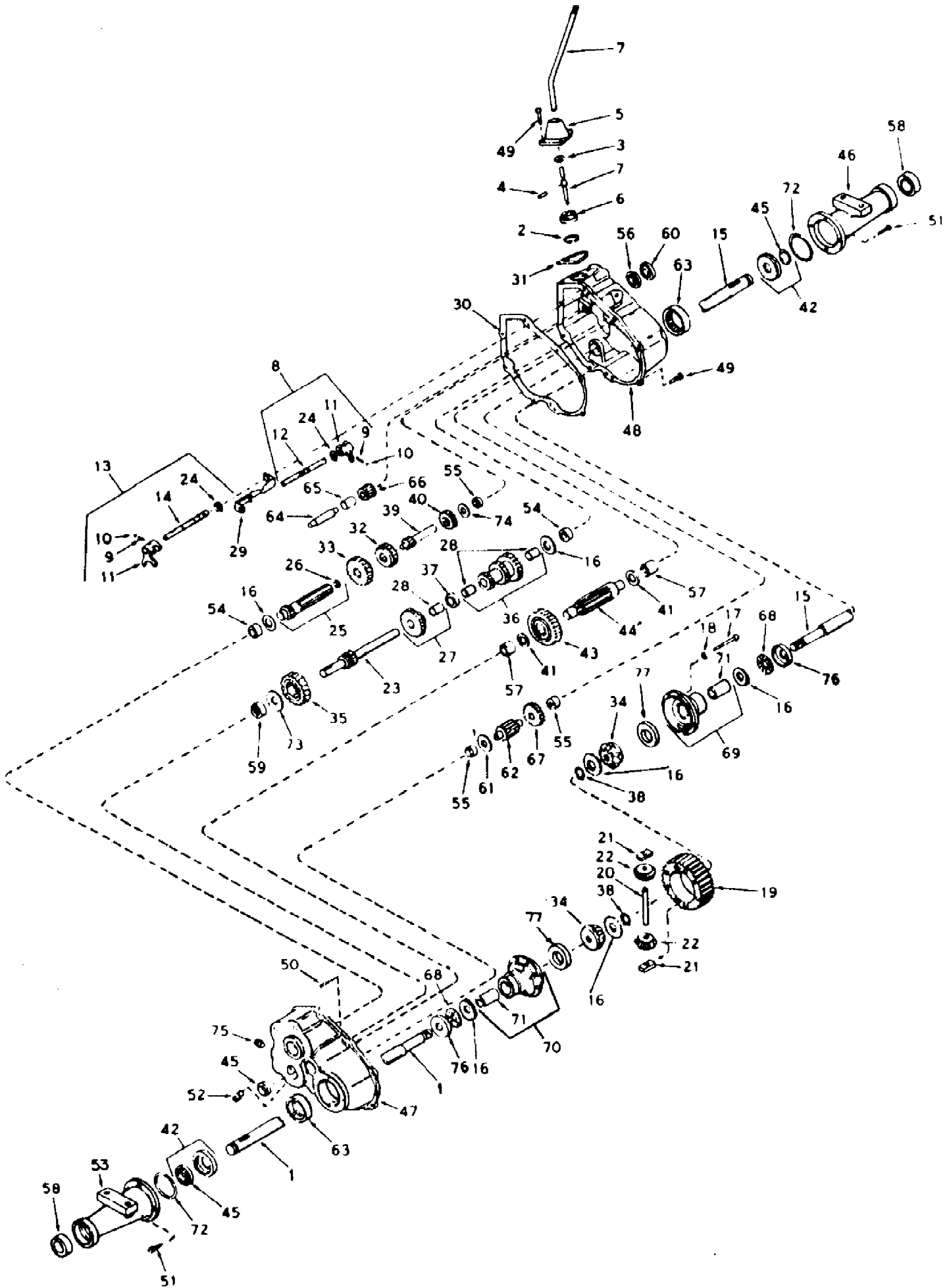
482
Starter Assembly



482
Starter Assembly

Page 60 of 67

Ref #	Part Number	Qty	S/P/F	Description
1		1		Starter Assy (Order Individual Components)
2	IH-76591-C1	2		Bolt, Thru
3	BS-391705	1		Set, Brush
4	BS-490467	1	S	Kit, Pinion Spring
5	BS-392233	1		Armature Assy
6	BS-398003	1	S	Clutch Assy, Starter
7	BS-280104	1	S	Gear, Starter Clutch
8	BS-391172	1		Cap Assy, End
9	BS-391167	1		Housing
10	BS-394857	1	/P	Cap, Drive End
	710-0118	2	S	Bolt, 5/16 X 3/4 Type 5

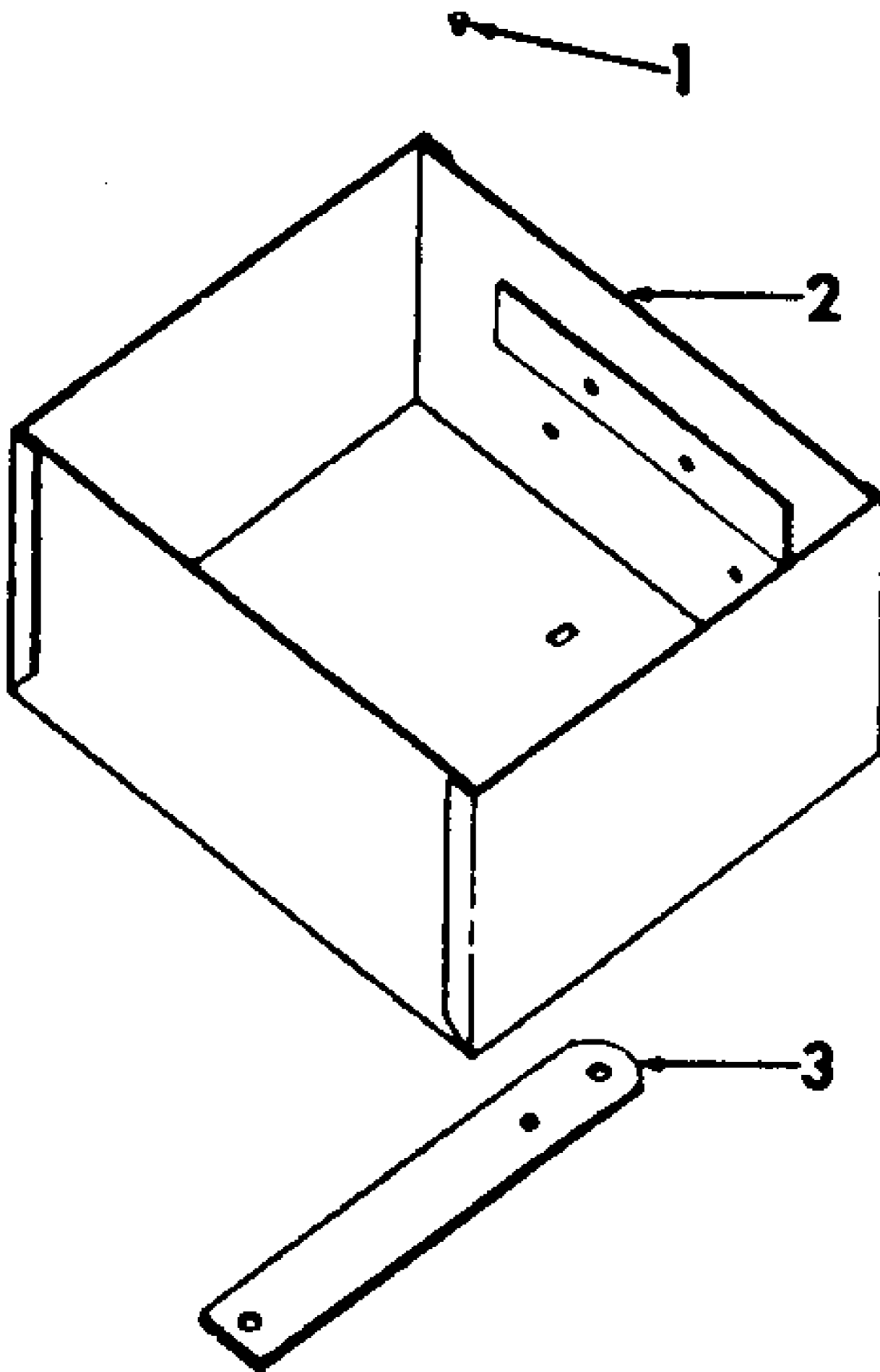


Ref #	Part Number	Qty	S/P/F	Description
	717-3001	1		Transaxle
1	TC-774384	1		Axle, LH
2	716-3007	1	S	Ring, Snap
3	TC-792001	1	/P	Ring, Quad
4	TC-788026	1		Pin, Roll
5	TC-784093	1		Housing, Shift Lever
6	TC-784094	1		Retainer, Shift Lever
7	TC-784300	1		Lever, Shift
8	TC-784054	1		Rod Assy, Shift
9	TC-792003	2	/P	Spring
10	TC-792004	2		Ball, Steel
11	TC-784004	2		Fork, Shifter
12	TC-784055	1		Rod, Shifter 3rd & 4th
13	TC-784056	1	/P	Rod Assy, Shift
14	TC-784057	1		Rod, Shifter 1st & 2nd
15	TC-774080	1		Axle, RH
16	TC-780042	6		Washer, Thrust
17	TC-792005	16		Bolt, 1/4 X 2-1/2 Pln Type 8
18	TC-792006	16		Washer, 1/4 Heavy Lock
19	TC-774029A	1		Carrier
20	TC-786019	1		Pin, Drive
21	TC-786066	2		Spacer
22	TC-778094	2		Gear
23	TC-776029A	1		Shaft, Brake Gear
24	716-0865	2	/P	Ring, Snap
25	TC-776189A	1		Shaft Assy, Pinion
26	TC-780018	1		Bearing Assy, Needle
27	TC-778034	1		Gear Assy, Cluster
28	TC-780053	3		Bushing
29	TC-784074	1		Stop, Shifter
30	TC-788023	1	/P	Gasket, Case to Cover
31	TC-788022	1		Gasket, Shifter Lever Housing
32	TC-778019A	1	/P	Gear, Shift 3rd & 4th
33	TC-778020	1		Gear, Shifting 1st, 2nd & Rev.
34	TC-778231	2		Gear, Bevel
35	TC-778037	1		Gear, Idler
36	TC-778035A	1		Gear, Cluster
37	TC-786024	1		Spacer
38	716-3001	2	S	Ring, Snap
39	TC-776067	1		Shaft, Input
40	TC-778024A	1		Gear, Input Shaft Spur
41	TC-780052	2	/P	Washer, Thrust
42	TC-788021	2	/P	Cap w/Seal
43	TC-778036	1		Gear, Output
44	TC-776028	1		Pinion, Output
45	TC-788008	3	/P	Seal, Oil
46	TC-782025	1		Housing, Axle, RH
47	TC-772076	1		Cover Assy, Transaxle
48	TC-770068	1		Case Assy, Transaxle
49	TC-792007	12		Screw, 1/4-20 X 3/4 Flanged
50	TC-786026	2	/P	Pin, Dowel
51	TC-792037	8		Bolt, 5/16 X 1 Pln Type 5
52	TC-792019	1		Plug, Magnetic Drain

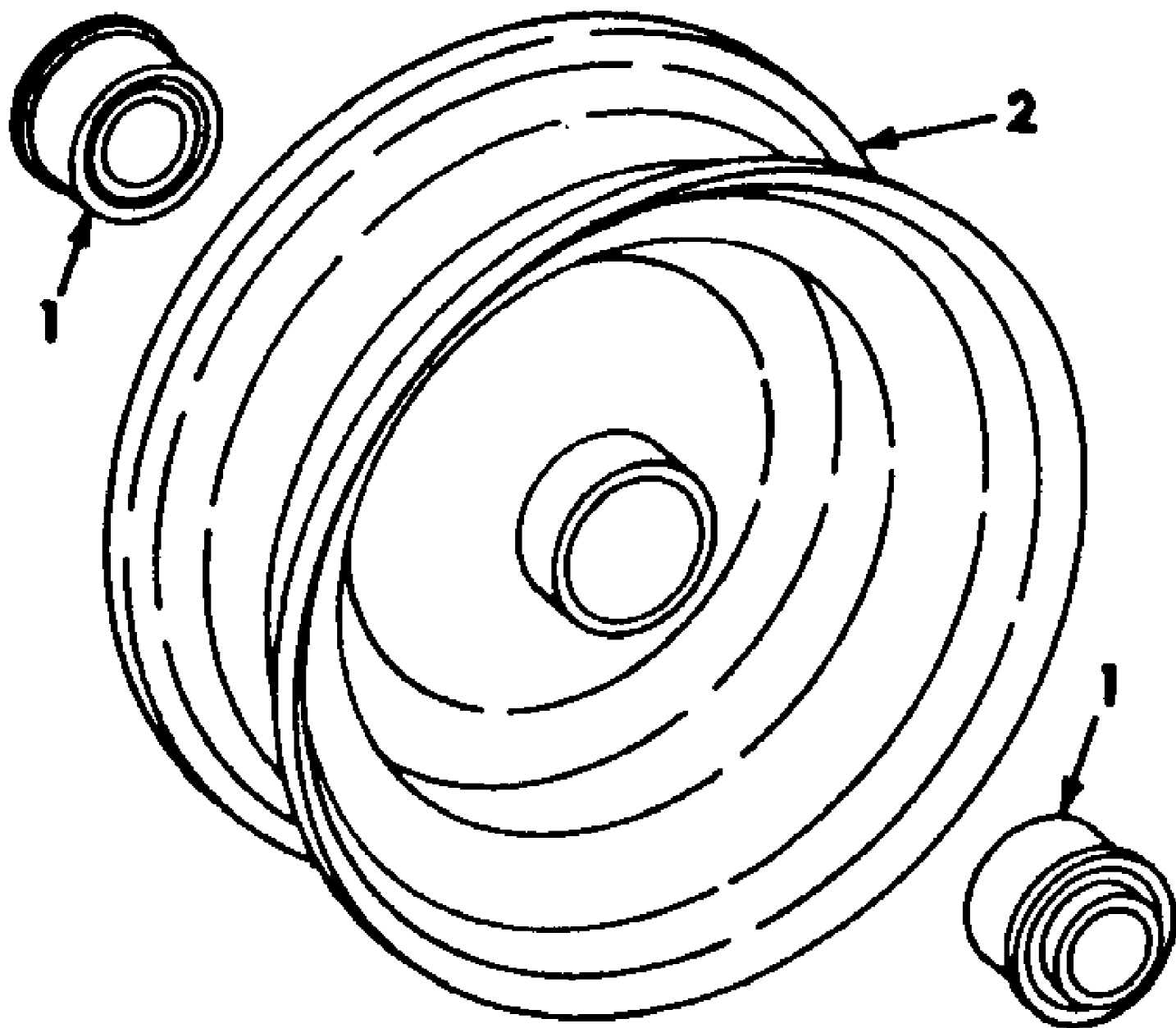
482
Transaxle

Page 63 of 67

Ref #	Part Number	Qty	S/P/F	Description
53	TC-782059	1		Housing, Axle, LH
54	TC-780049	2		Bearing, Needle
55	IH-73002-C91	3	S	Bearing, Needle
56	TC-780024	1	/P	Bearing, Ball
57	TC-780047	2		Bearing, Needle
58	TC-780050	2		Bearing Assy, Ball
59	TC-780046	1		Bearing, Needle
60	TC-788025	1	/P	Seal, Oil
61	TC-780001	1		Washer
62	TC-776031	1		Shaft, Pinion
63	TC-780048	1		Bearing, Needle
64	TC-776030	1	/P	Shaft, Reverse Idler
65	TC-786025	1		Spacer, Reverse Idler
66	TC-778016	1		Gear
67	TC-778038	1		Gear, Spur -22T
68	TC-780039	2		Bearing, Thrust
69	TC-774072A	1		Carrier Assy, Differential, RH
70	TC-774071A	1		Carrier Assy, Differential, LH
71	TC-780041	2		Bushing, Carrier
72	TC-788024	2	/P	O-Ring
73	TC-780007	1	/P	Washer, Thrust
74	TC-780051	1	/P	Washer, Thrust
75	BS-91084	1	S	Plug, Pipe
76	TC-780075	2		Bearing, Thrust Race
77	TC-780107	1	/P	Washer



Ref #	Part Number	Qty	S/P/F	Description
1	~NLA	2		Pin, Drain Hole
		2		Pin, 1/16 X 1/2 Cot (Common Hardware, Purchase Locally)
2	~NLA	1		Box Assy, Utility
	~NLA	2		Plug, 1-9/16 C-Z Button
	IH-645342-C1	4		Spacer, .407 X .625 X 1.00
	710-0427	2	S	Bolt, 3/8 X 2 Type 5
3	IH-390025-R1	1		Extension, Drawbar
	710-0389	1	/P	Bolt, 3/8 X 3/4 Crg Type 1
	712-0798	1	/P	Nut, 3/8 Type 5
	736-0169	1	S	Washer, 3/8 Lock
		1		Bolt, 1/2 X 1-1/4 Cad Crg Type 1 (Common Hardware, Purchase Locally)
	712-0206	1	S	Nut, 1/2 Type 5
	736-0921	1	S	Washer, 1/2 Lock



482
Wheels & Traction

Ref #	Part Number	Qty	S/P/F	Description
1	741-3002	4	S	Bearing Assy, Front Wheel
2	734-3053	2		Wheel Assy, Front -5.38/8 Rim
	734-0255	2	S	Valve, TR-413 Tubeless Type