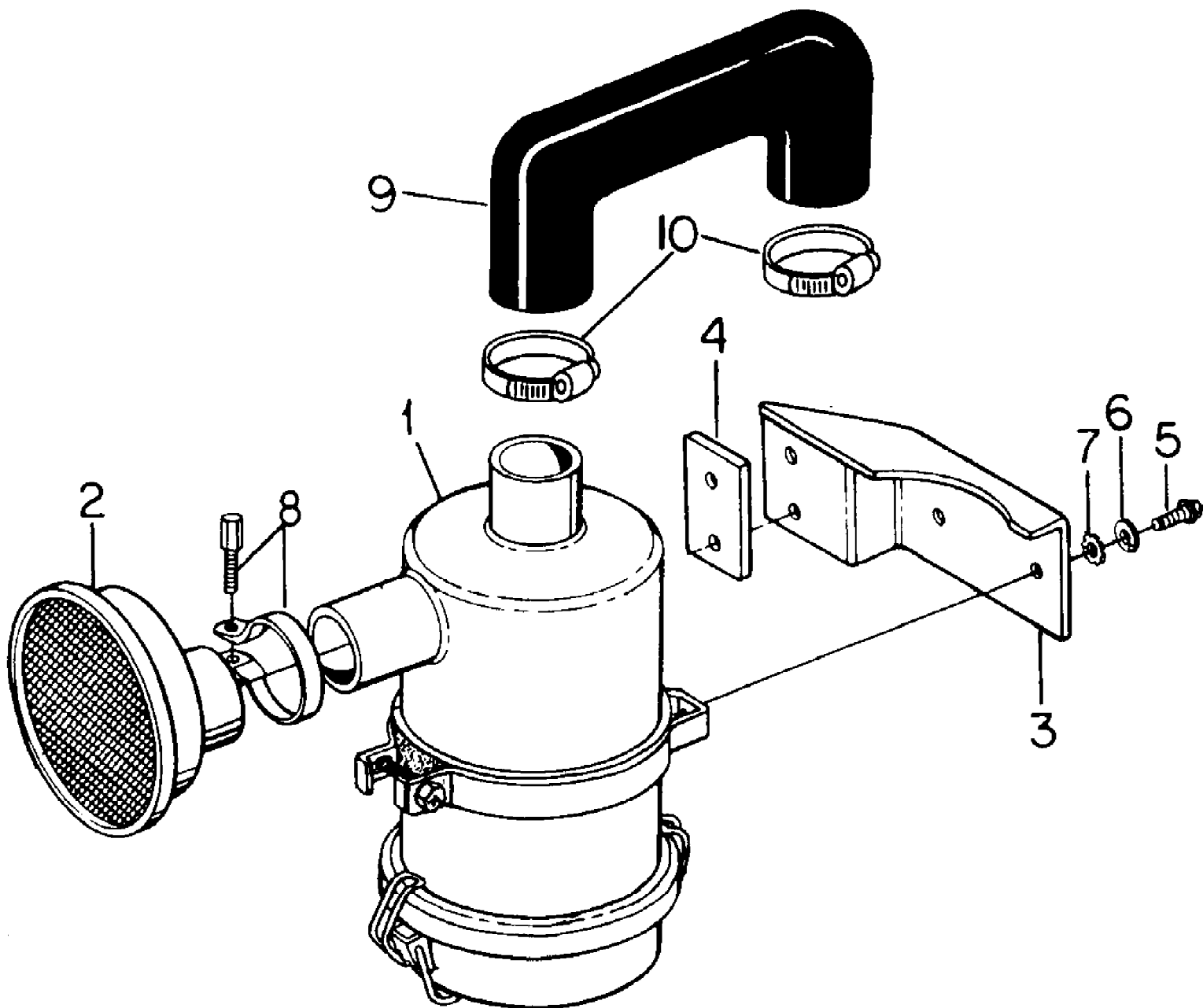


1512, 882, 782-Diesel

Page 2 of 135

A-Frame Hitch Adapter-To Mt Yoke Type Implnts To Trctrs Eqp

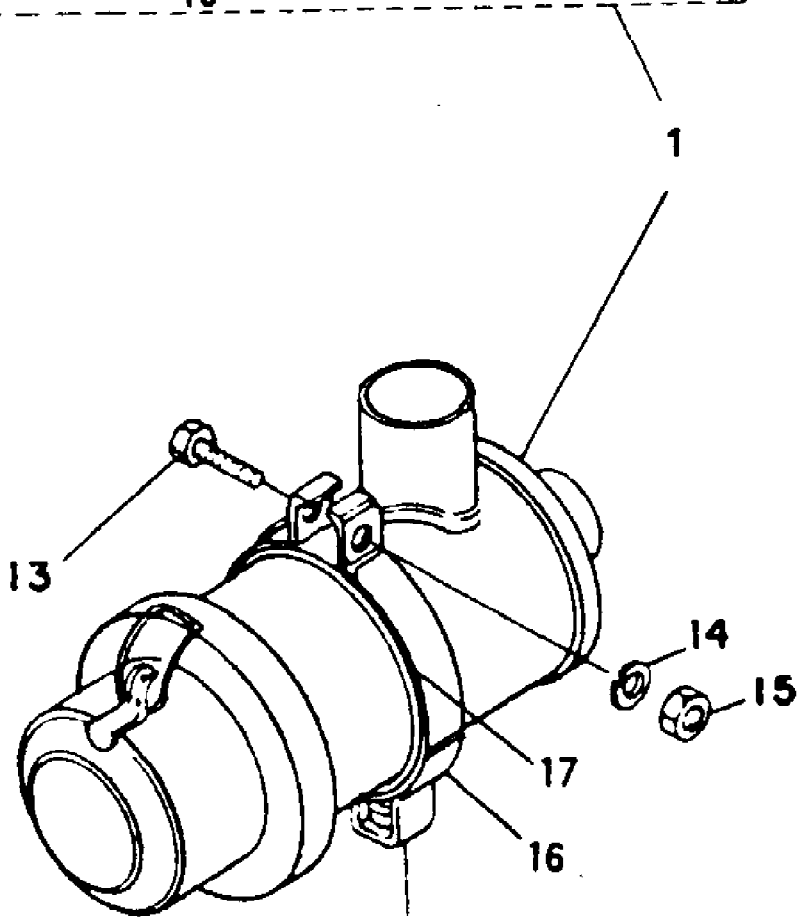
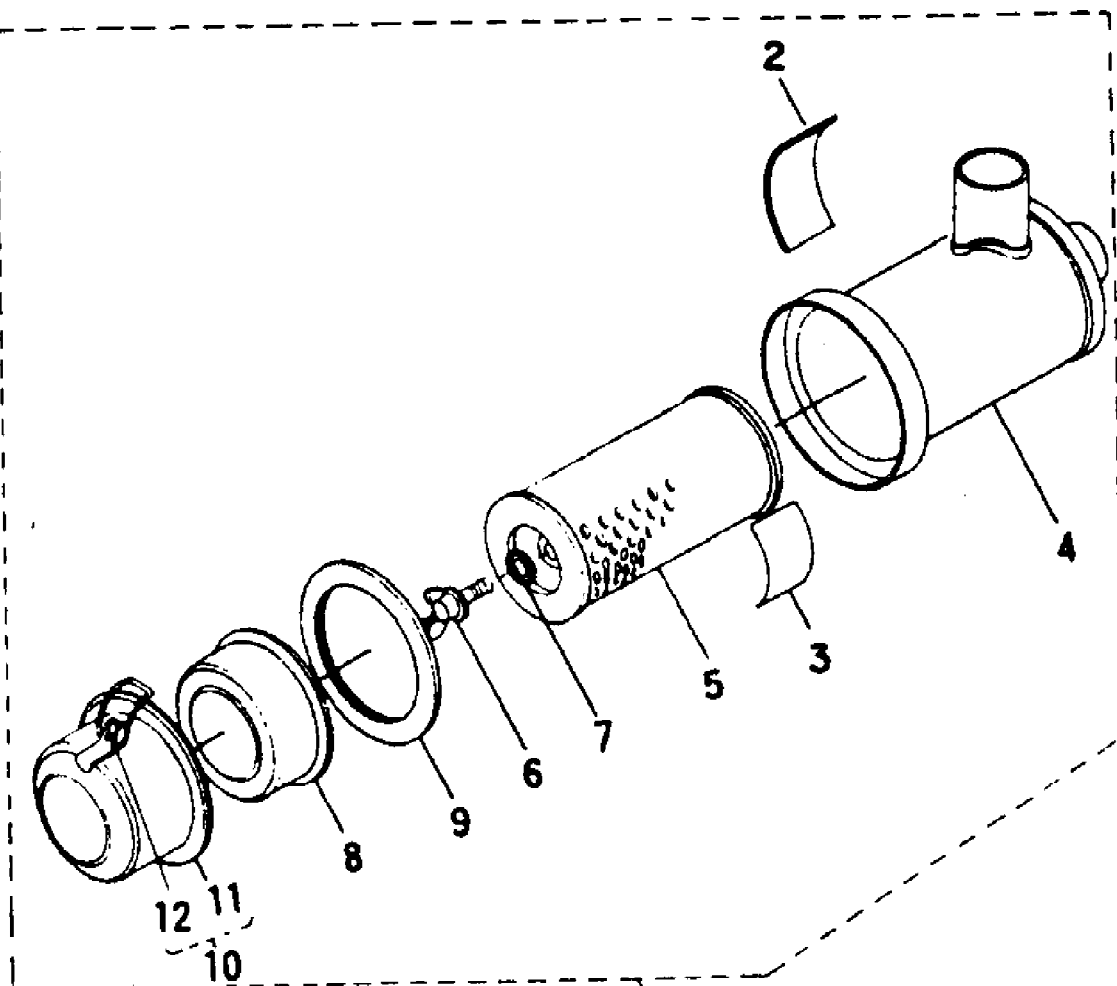
Ref #	Part Number	Qty	S/P/F	Description
1		1		Adapter Pkg, Frame Hitch
2	IH-106998-C1	2		Pin
3	712-3015	2	S	Nut, 5/8 Jam Type 5
4		2		Nut, 5/8 Type 5 (Common Hardware, Purchase Locally)
5	~NLA	1		Adapter, Sleeve
6	BR-IM2032P	2		Bolt, 5/8 X 2 Type 5
7	BR-H-158	1		Plate, Stabilizer
8	BR-H-130P-01	1	S	Pin, Sleeve
9	710-3181	2	/P	Bolt, 1/2 X 1-1/2 Type 5
	736-0921	2	S	Washer, 1/2 Lock
10	712-0206	2	S	Nut, 1/2 Type 5
11	712-3015	2	S	Nut, 5/8 Jam Type 5
	BR-D-146P	2		Package, Quick Attachable Cotters



1512, 882, 782-Diesel  
Air Cleaner & Connections

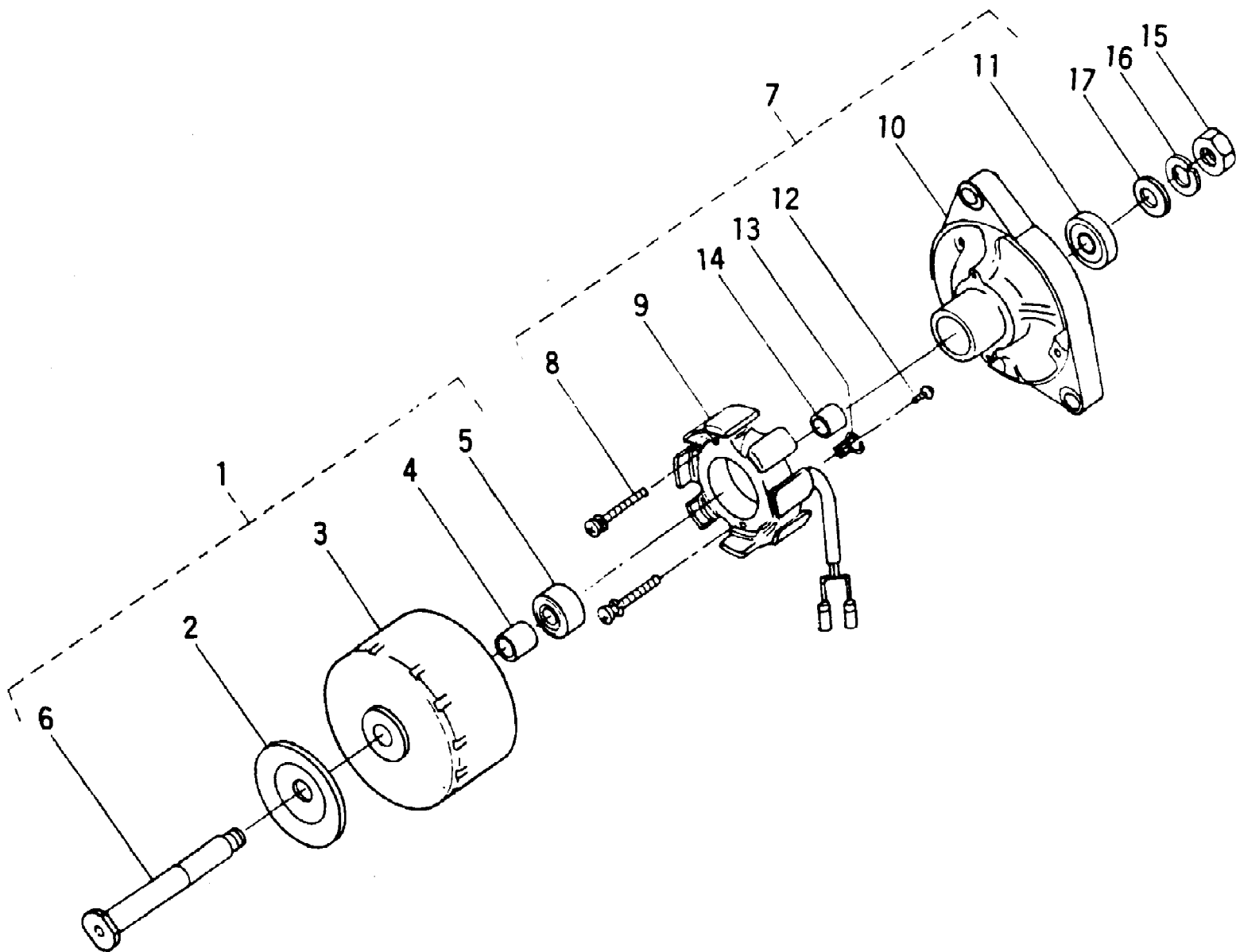
Ref #	Part Number	Qty	S/P/F	Description
1	KB-15372-11010	1		Cleaner Assy, Air (For Components See Separate Listing)
2	703-0953	1		Intake Assy, Air
3	703-0983	1		Bracket, Air Cleaner
4	735-3021	1		Pad, Isomount
5	710-3137	2		Bolt, M8 X 20 Phc Class 8.8
6	736-0119	2	S	Washer, 5/16 Lock
7	736-3007	2		Washer, 5/16 Ext-Int Tooth Lock
8	726-3033	1		Clamp, Air Cleaner Screen
9	735-3018	1		Hose, Air Cleaner to Intake Manifold
10	726-3033	2		Clamp, Air Cleaner Hose





1512, 882, 782-Diesel  
Air Cleaner Components

Ref #	Part Number	Qty	S/P/F	Description
1	KB-15372-11010	1		Cleaner Assy, Air (Includes Ref No. 2 thru 12)
2		1		Label - Not Serviced
3		1		Label - Not Serviced
4		1		Body Assy, Air Cleaner - Not Serviced Separately
5	KB-70000-11221	1	/P	Element, Air Cleaner
6	KB-15221-92620	1	/P	Bolt, Wing
7	KB-15221-94430	1		Washer
8	KB-15221-11410	1		Cover
9	KB-15221-11170	1	/P	Gasket, Air Cleaner Cover
10	KB-15241-11160	1	/P	Cover, Air Cleaner (Includes Ref No. 11 & 12)
11		1		Not Serviced Separately
12		1		Not Serviced Separately
13	KB-01222-50830	1		Bolt, M8 X 30 Pln Class 8.8
14	KB-04512-50080	1	S	Washer, 8MM Lock
15	KB-02114-50080	1	/P	Nut, M8 Class 8
16	KB-15371-11252	1	/P	Band, Air Cleaner
17	KB-15371-11870	1		Cushion

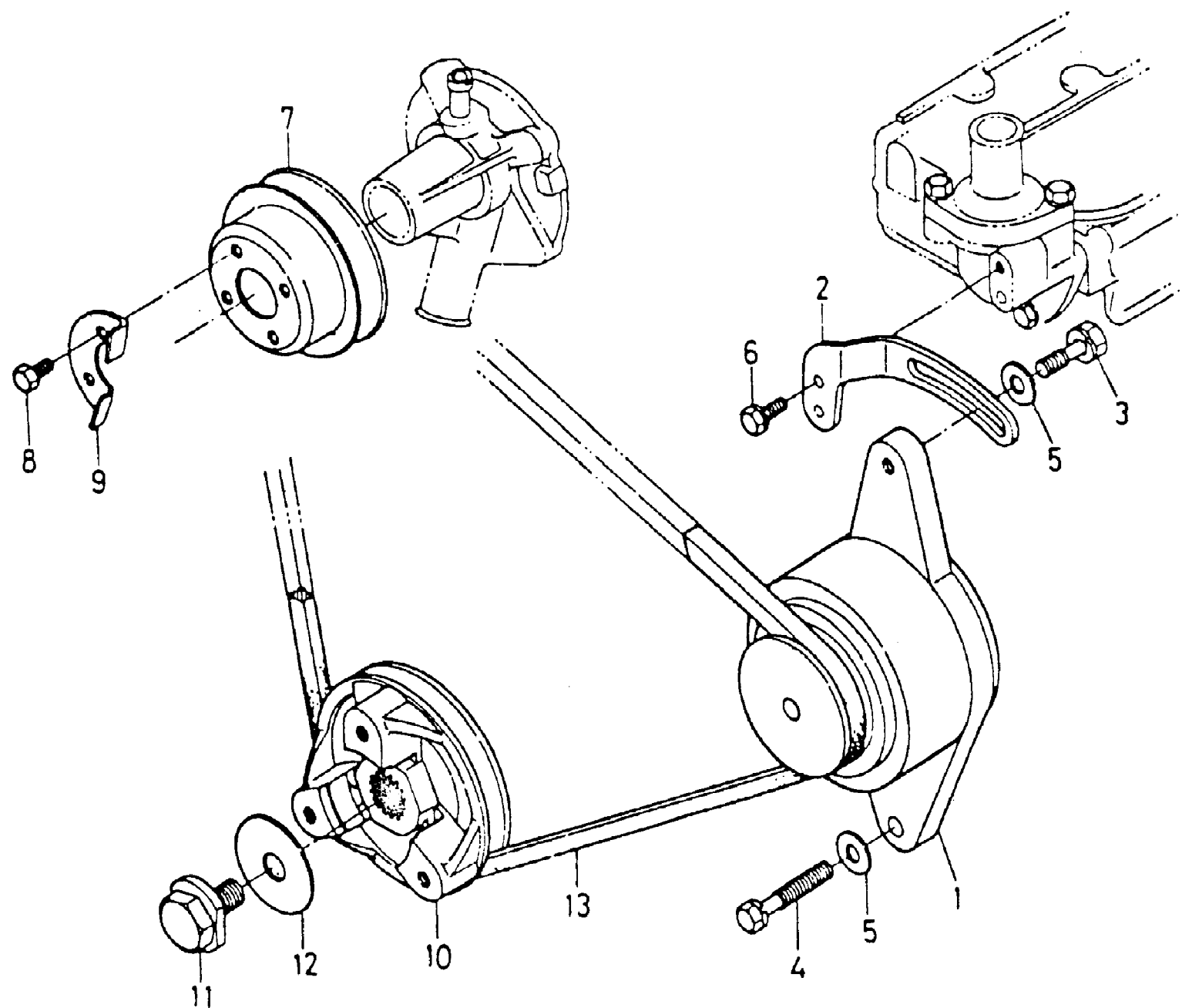


1512, 882, 782-Diesel  
Alternator Component

Page 8 of 135

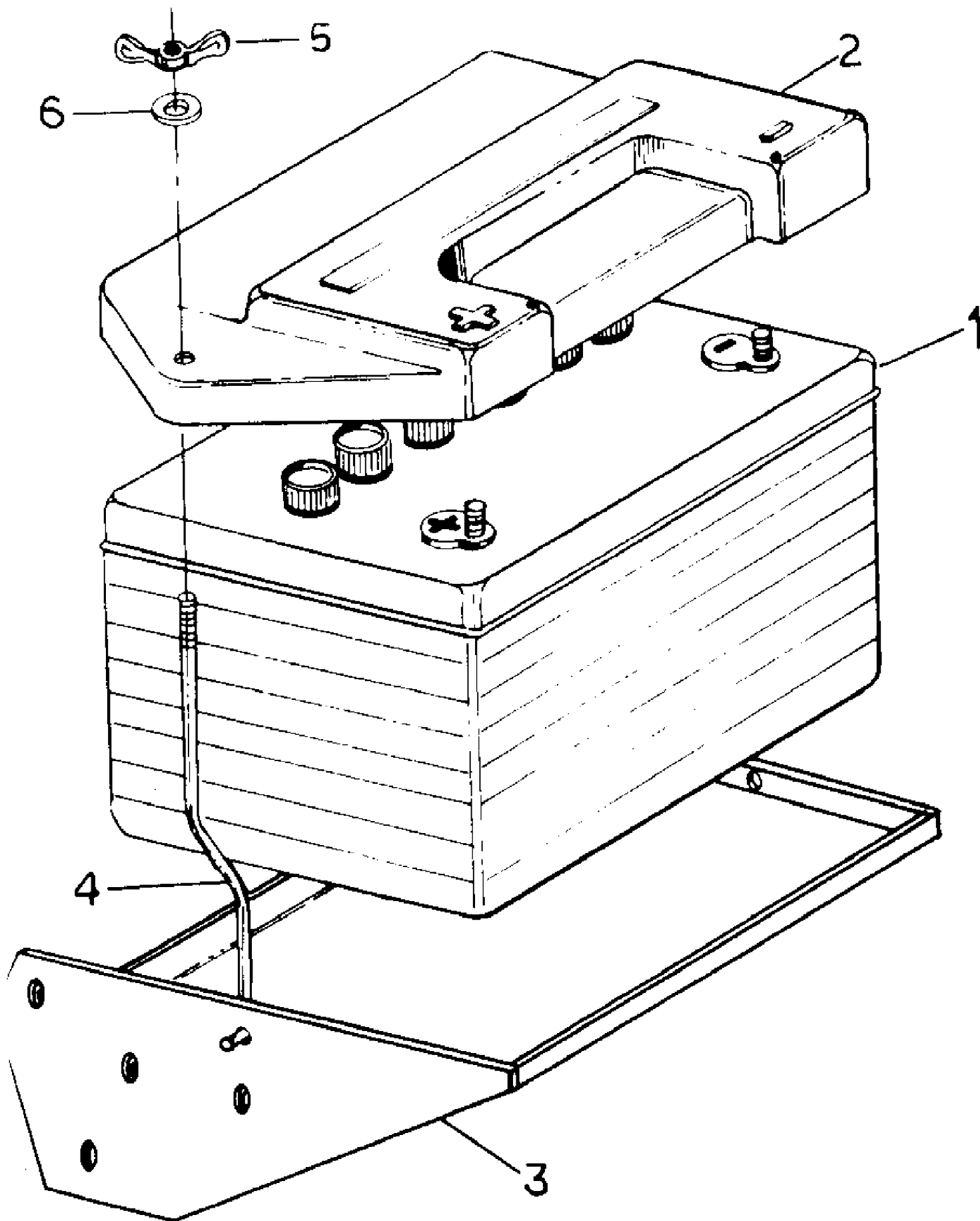
Ref #	Part Number	Qty	S/P/F	Description
	KB-15531-64013	1	S	Alternator Assy
1	KB-15531-64120	1		Rotor Assy (Includes Ref No. 2 thru 6)
2	KB-15531-64110	1		Pulley
3	KB-15531-64040	1		Rotor
4	KB-15261-64140	1		Collar
5	KB-08121-06201	1	/P	Bearing, Ball
6	KB-15531-74140	1		Shaft, Fan
7	KB-15531-64362	1		Stator Assy (Includes Ref No. 8 thru 14)
8	KB-15261-93010	2		Screw, Round Head
9	KB-15531-64292	1	/P	Stator
10	KB-15531-64072	1	/P	Plate
11	KB-08121-06201	1	/P	Bearing, Ball
12	KB-15531-93010	1		Screw, Round Head
13	KB-15531-64190	1		Clamp, Cord
14	KB-15261-64150	1		Collar
15	KB-15261-92030	1		Nut
16	KB-15261-94070	1		Washer, Spring
17	KB-15261-94020	1		Washer, Plain

1512, 882, 782-Diesel  
Alternator, Water Pump Pulley & Belt



1512, 882, 782-Diesel  
 Alternator, Water Pump Pulley & Belt

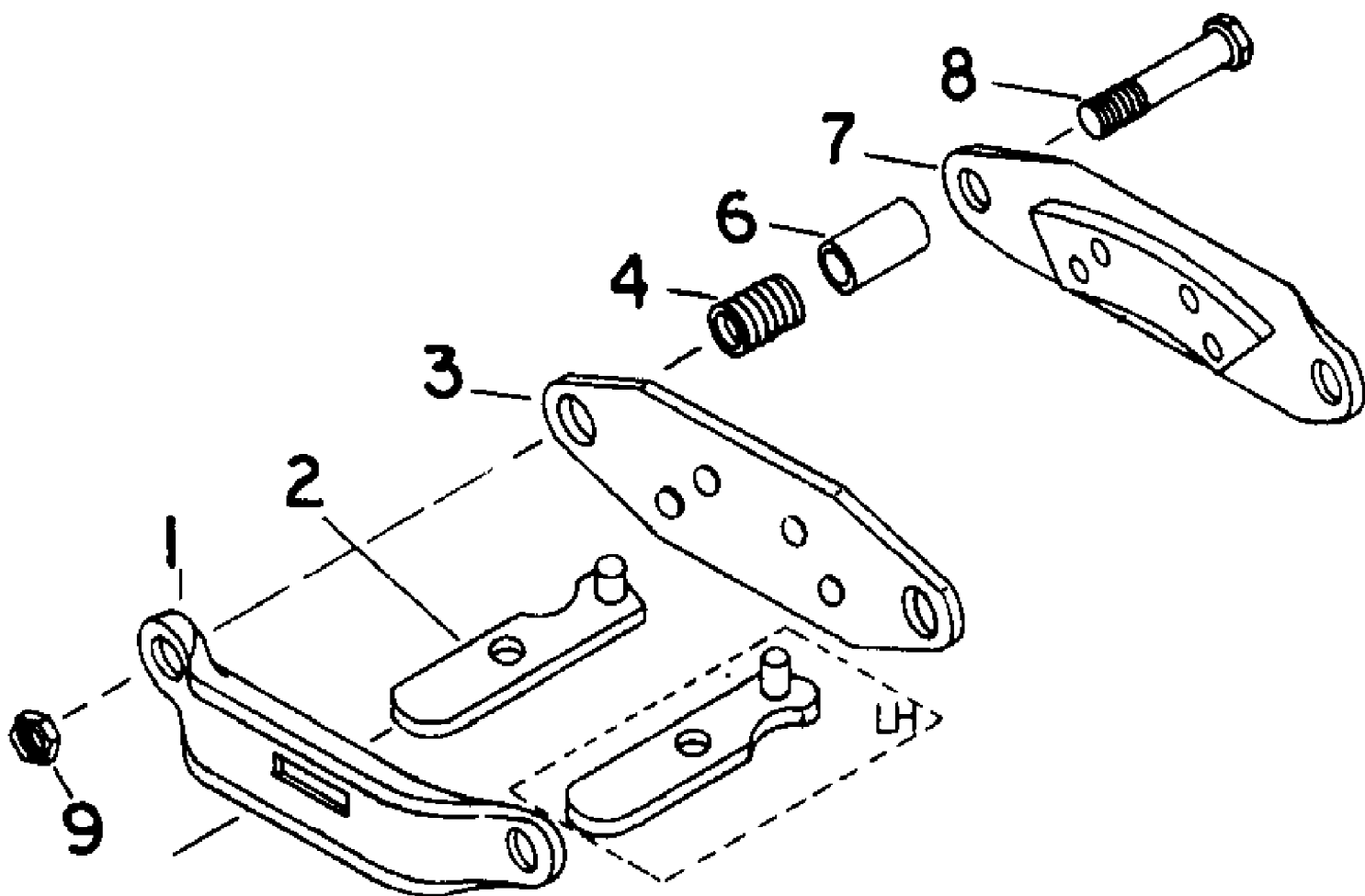
Ref #	Part Number	Qty	S/P/F	Description
1	KB-15531-64013	1	S	Alternator (For Components See Separate Listing)
2	KB-15841-64420	1	/P	Support, Alternator
3	KB-01123-50825	1		Bolt, M8 X 25 Class 8.8 w/Washer
	KB-04512-50080	1	S	Washer, 8MM Lock
4	KB-15841-91020	1	/P	Bolt
5	KB-04013-50080	2	/P	Washer, 8.8 X 17 X 1.6MM
6	KB-01023-50616	1		Bolt, M6 X 16 Class 8.8 w/Washer
7	KB-15841-74250	1		Pulley, Water Pump
8	KB-01053-50612	4		Bolt, M6 X 12 Class 8.8
9	KB-15131-74230	2		Washer, Fan
10	KB-15861-74280	1	/P	Pulley, Alternator Drive
11	KB-15841-91030	1		Bolt
12	KB-15841-94030	1		Washer, Plain
13	KB-15841-97010	1	/P	V-Belt



1512, 882, 782-Diesel  
Battery & Mounting

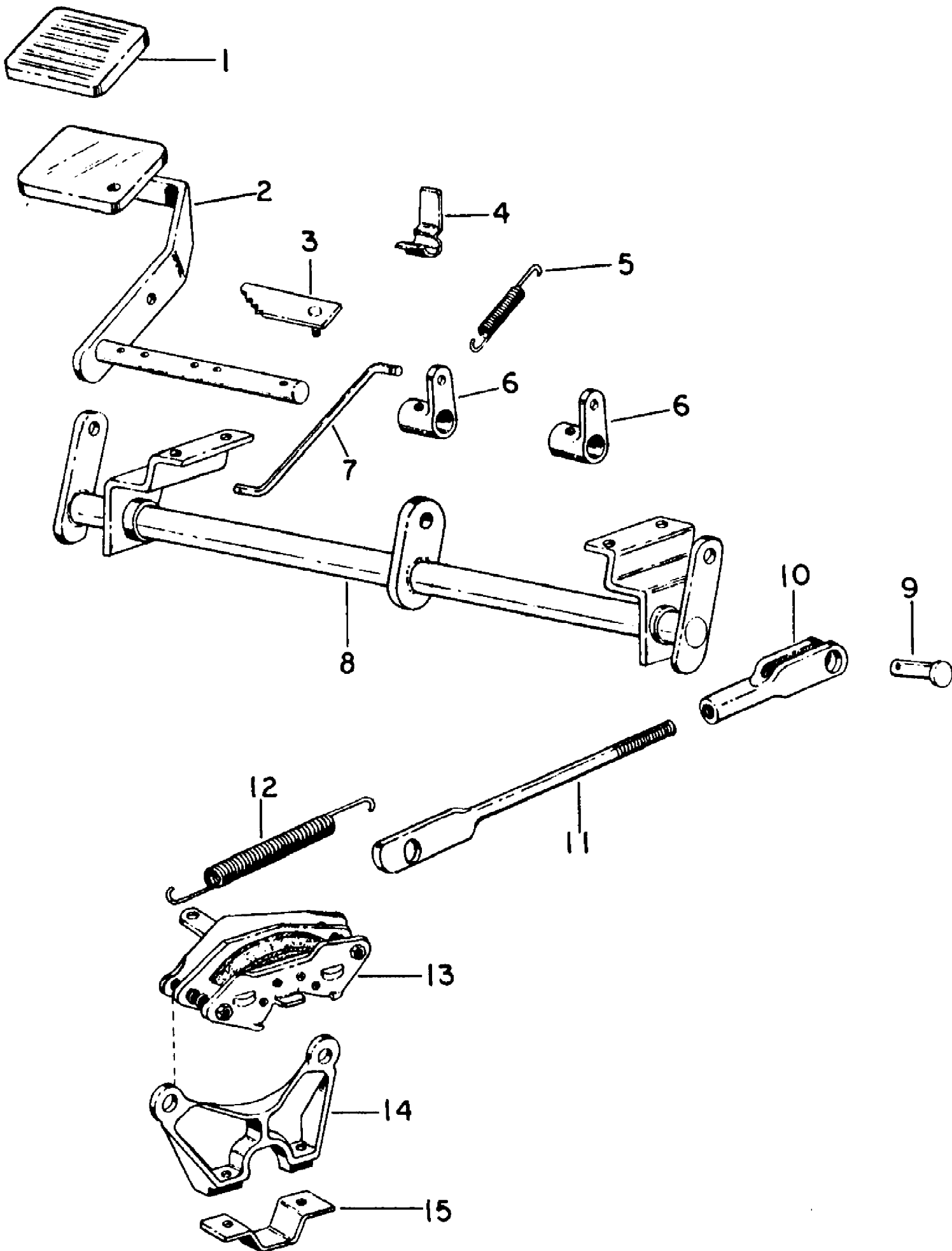
Ref #	Part Number	Qty	S/P/F	Description
1	725-3133	1		Battery
2	759-3138	1		Cover, Battery w/Product Graphic
	777-4491	1		Product Graphic, Battery Cover (Danger)
3	703-0990	1		Tray, Battery
	710-0751	6	/P	Bolt, 1/4 X 5/8 Type 5
	736-0329	4	S	Washer, 1/4 Lock
	736-3000	2		Washer, .281 X .750 X .105
4	711-3142	2		Rod, Battery Cover
5	712-3044	2		Nut, 1/4 Wing
6	736-0142	2	S	Washer, .281 X .500 X .056 Pln
	759-3158	1		Parts Accessory, Battery Warmer



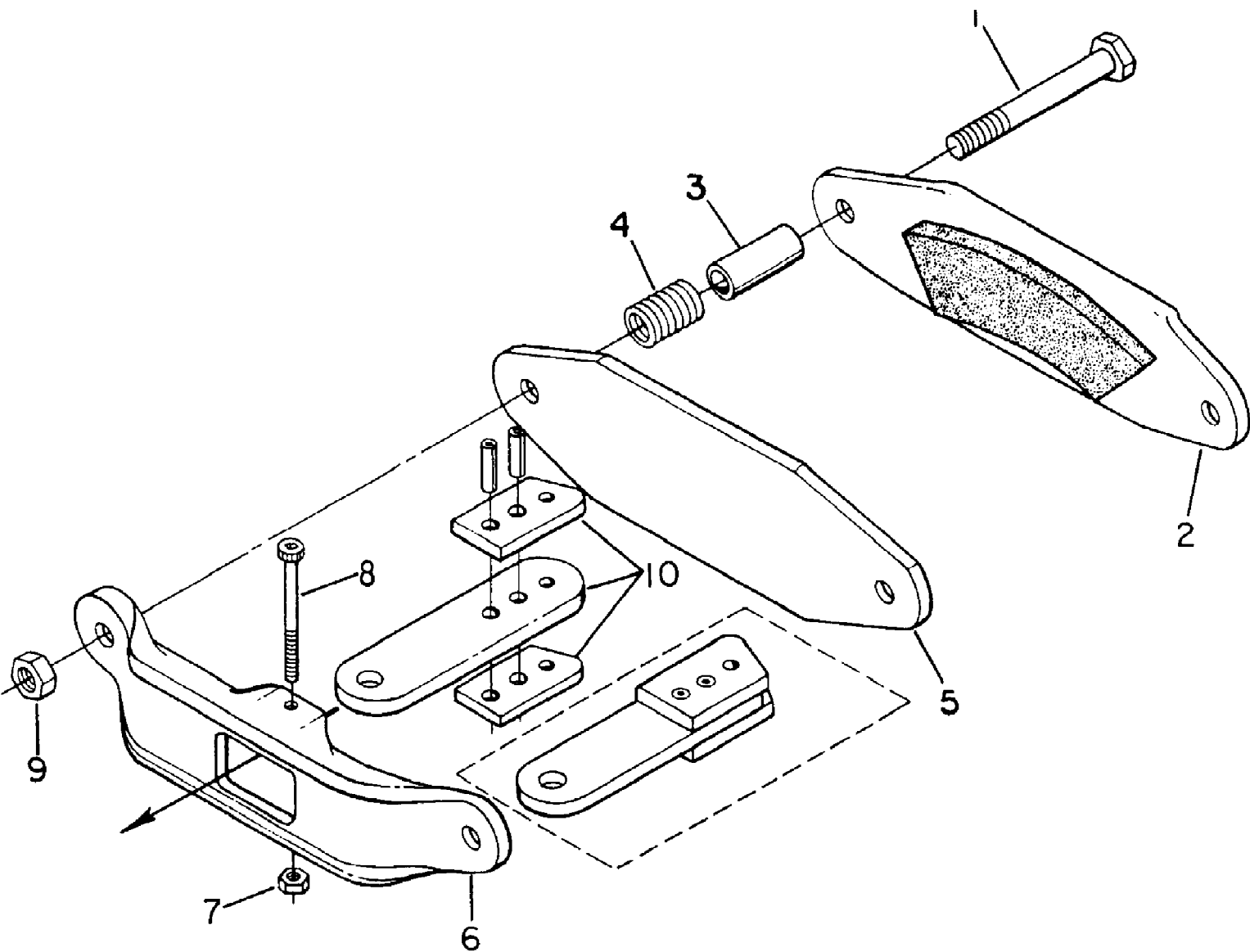


1512, 882, 782-Diesel  
 Brake & Connections-Brake Cal Assy-SN 736124 & Down & 73

Ref #	Part Number	Qty	S/P/F	Description
	IH-106904-C91	1		Caliper Assy, Brake
1	~NLA	1		Bracket, Cam
2	IH-223384-C2	1		Cam
3		1		Plate, Flat Pad Holder (Furnish Relining Kit IH-107148-C91)
4	IH-223388-C1	2		Spring, Compression
6		2		Bushing (Furnish Relining Kit IH-107148-C91)
7		1		Plate, Ribbed Pad Holder (Furnish Relining Kit IH-107148-C91)
	IH-37508-D	8		Rivet, 9/64 X 3/8 Brs Pln 150D C/Hd S/T
8	710-0331	2	/P	Bolt, 3/8-NF X 2-1/4 Type 5
9	712-0214	2	S	Nut, 3/8-NF P/T Lock Type 5
	IH-107148-C91	1		Kit, Brake Relining Plate Flat Pad Holder Plate, Ribbed Pad Holder Bushing

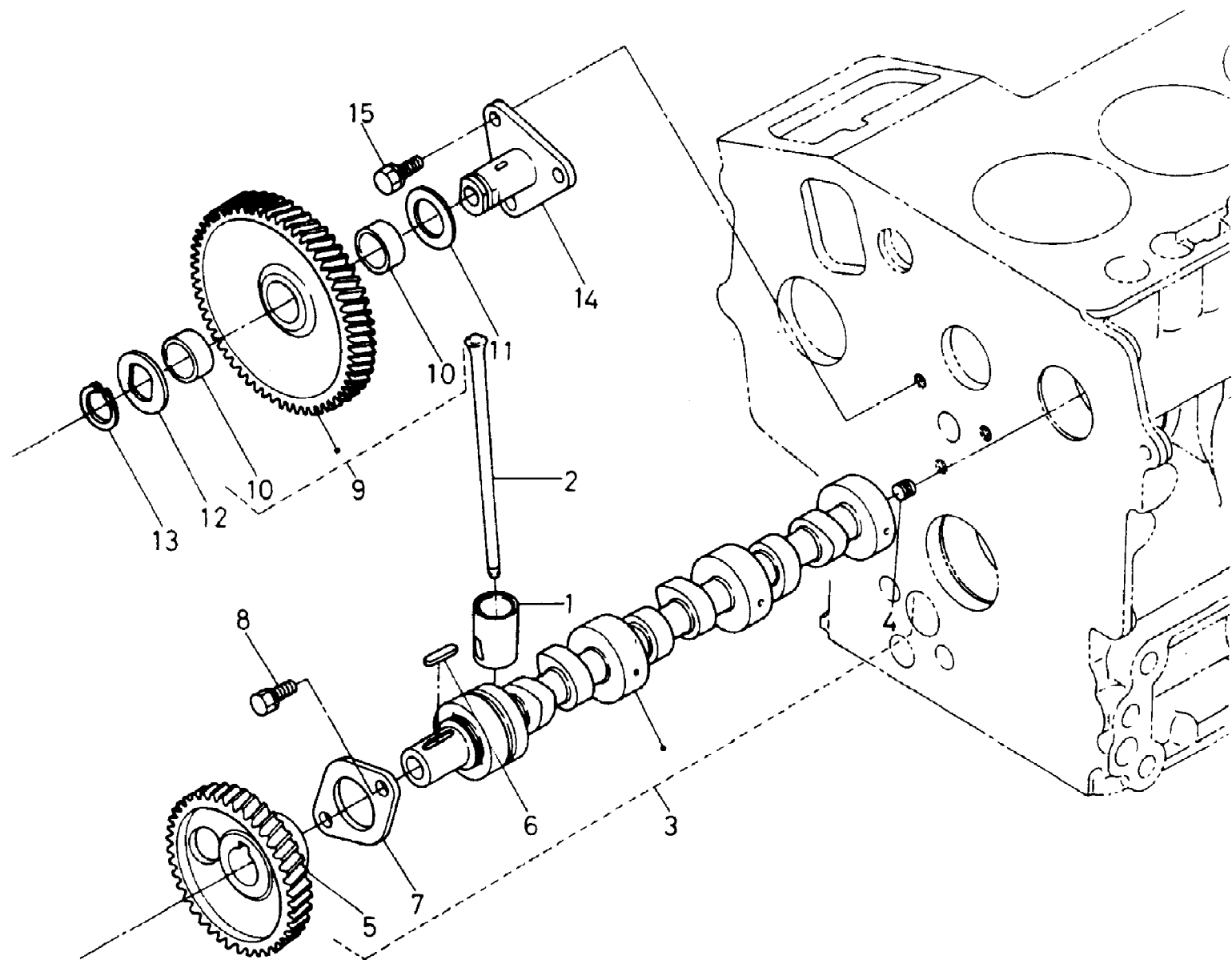


Ref #	Part Number	Qty	S/P/F	Description
1	724-3000	1	S	Pad, Pedal
2	703-0845A	1		Pedal Assy, Brake
3		1		Ratchet, Brake Lock (Order Kit 759-3127)
4	732-3039A	1		Spring, Switch Operating
	715-3000	3	S	Pin, 1/4 X 1-3/8 Hvy Cld Spr
	726-3000	1	/P	Nut, Spring
5	732-3010	1	S	Spring, Return
6	703-0900	2	S	Lever, Brake Rod
7	747-3096	1		Rod, Brake Link
	714-0507	2	S	Pin, 3/32 X 3/4 Pln Cot
	736-0140	3	S	Washer, .406 X .812 X .051
8	703-0903	1		Shaft Assy, Brake
	710-0118	4	S	Bolt, 5/16 X 3/4 Type 5
	736-0119	4	S	Washer, 5/16 Lock
	712-0267	4	S	Nut, 5/16 Type 5
9	711-3010	2	S	Pin, 3/8 X 1.060 Clevis
	~NLA	2		Washer, .406 X .625 X .054
	714-0507	2	S	Pin, 3/32 X 3/4 Pln Cot
10	719-3013	2	/P	Clevis, 3/8-24 X 2-1/2 C-Z Lt Adj
11	711-3130	2		Rod, Brake
12	732-3047	2	/P	Spring, Brake
13	IH-106904-C91	2		Caliper Assy, Brake (Serial No. 736124 and below and 739340 thru 742999)
	761-3003	2	F	Caliper Assy, Brake (Serial No. 736125 thru 739339 and 743000 and Above)
14	719-3048	2	/P	Bracket, Brake Mounting
15	703-0222	2		Flange, Caliper Mounting
	710-3125	4		Bolt, 3/8 X 1-1/4 Type 8
	736-3010	4	/P	Washer, .406 X .812 X .134 Phc Hdn
	759-3127	1		Kit, Brake Lock Ratchet Nut Washer, Spring



1512, 882, 782-Diesel  
 Caliper Brake Assy-SN 736125 Thru 739339 & 743000 & Abo

Ref #	Part Number	Qty	S/P/F	Description
	761-3003	2		Caliper Assy, Brake
1	710-0331	2	/P	Bolt, 3/8-NF X 2-1/4
2		1		Pad, Outer (Order Kit 759-3185)
3		2		Spacer (Order Kit 759-3185)
4	732-3042	2	S	Spring, Compression
5		1		Pad, Inner (Order Kit 759-3185)
6	703-0931	1		Bracket, Actuator
7	712-3055	2	S	Nut, Hex Top Lock Jam, 5/16-18 GR5
8	710-3133	1		Screw, Shoulder
9	712-3054	4	/P	Nut, Hex Lock, 3/8-24
10	703-0932	1	S	Cam, Actuating (Reverse for Opposite Application)
	759-3185	1	S	Kit, Brake Pad (Consists of Ref No. 2, 3 & 5)

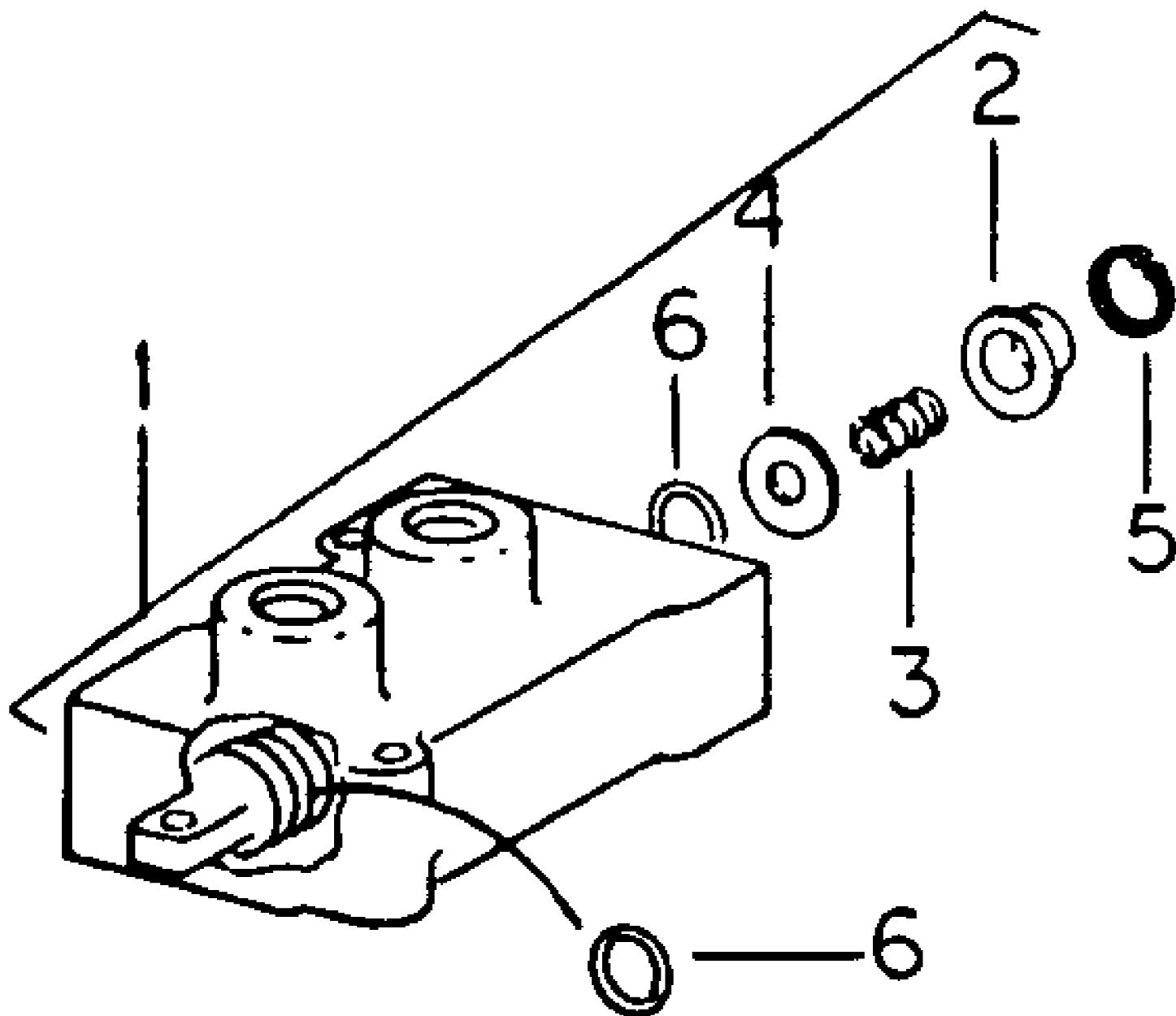


1512, 882, 782-Diesel  
Camshaft & Push Rod

Page 20 of 135

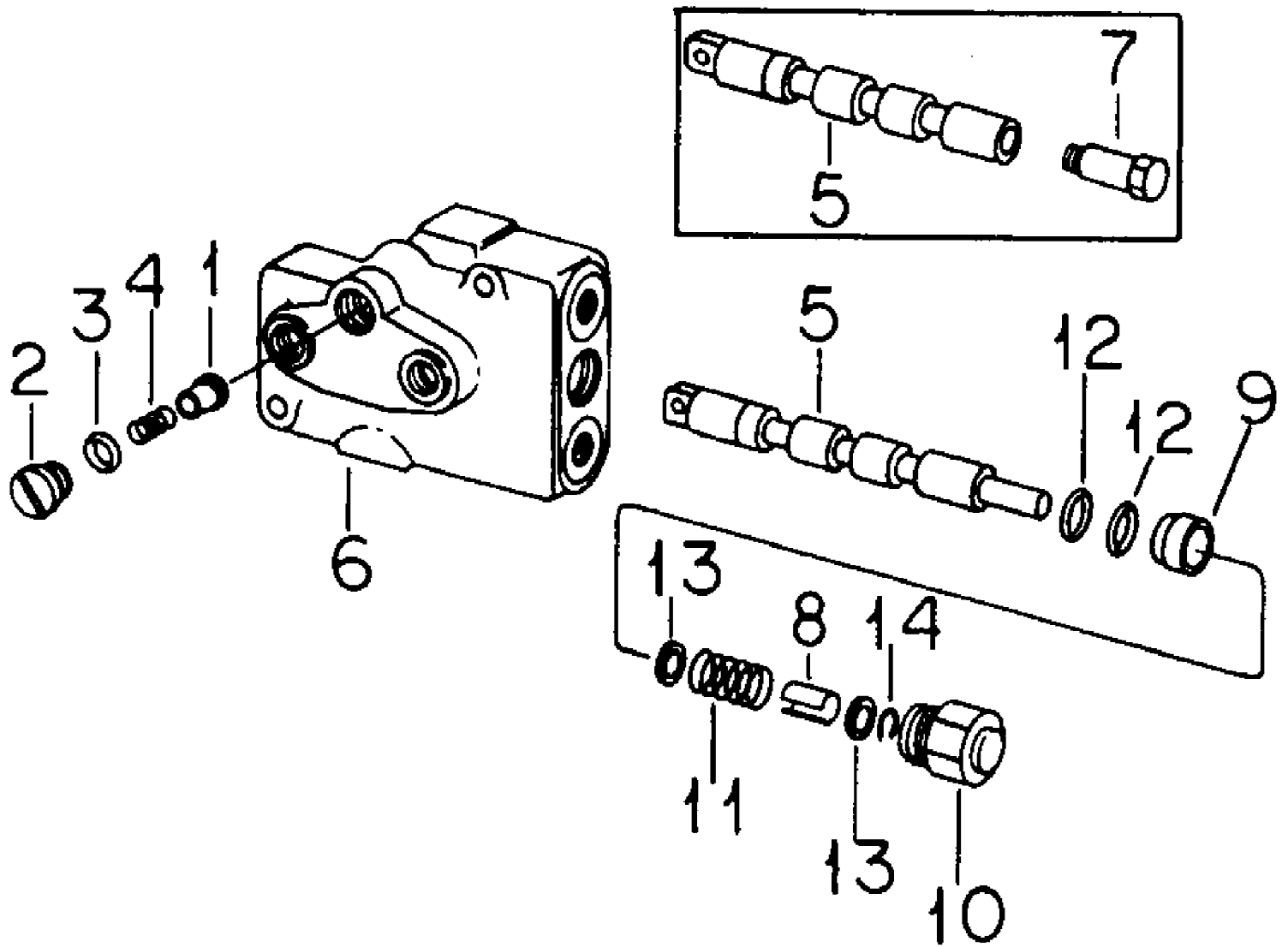
Ref #	Part Number	Qty	S/P/F	Description
1	KB-15841-15550	6		Tappet
2	KB-15841-15110	6		Rod, Push
3	KB-15861-16010	1		Camshaft w/Gear (Includes Ref No. 4, 5, 6 & 7)
4	KB-03410-50608	1		Screw
5	KB-15841-16510	1		Gear, Camshaft
6	KB-05712-00518	1		Key
7	KB-15841-16270	1		Stop, Camshaft
8	KB-01023-50612	2		Bolt, M6 X 12 Class 8.8
	KB-04512-50060	2	S	Washer, 6MM Lock
9	KB-15841-24010	1		Gear Assy, Idler (Includes Ref No. 10)
10	KB-15841-24980	2		Bushing
11	KB-14541-24360	1		Collar, Idler Gear
12	KB-14541-24370	1		Collar, Idler Gear
13	KB-15841-24320	1		Ring, Retaining
14	KB-15841-24250	1		Shaft, Idler Gear
15	KB-01053-50614	3		Bolt, M6 X 14MM Class 8.8
	KB-04512-50060	3	S	Washer, 6MM Lock





1512, 882, 782-Diesel  
Control Valve-4 Way-Victor Fluid

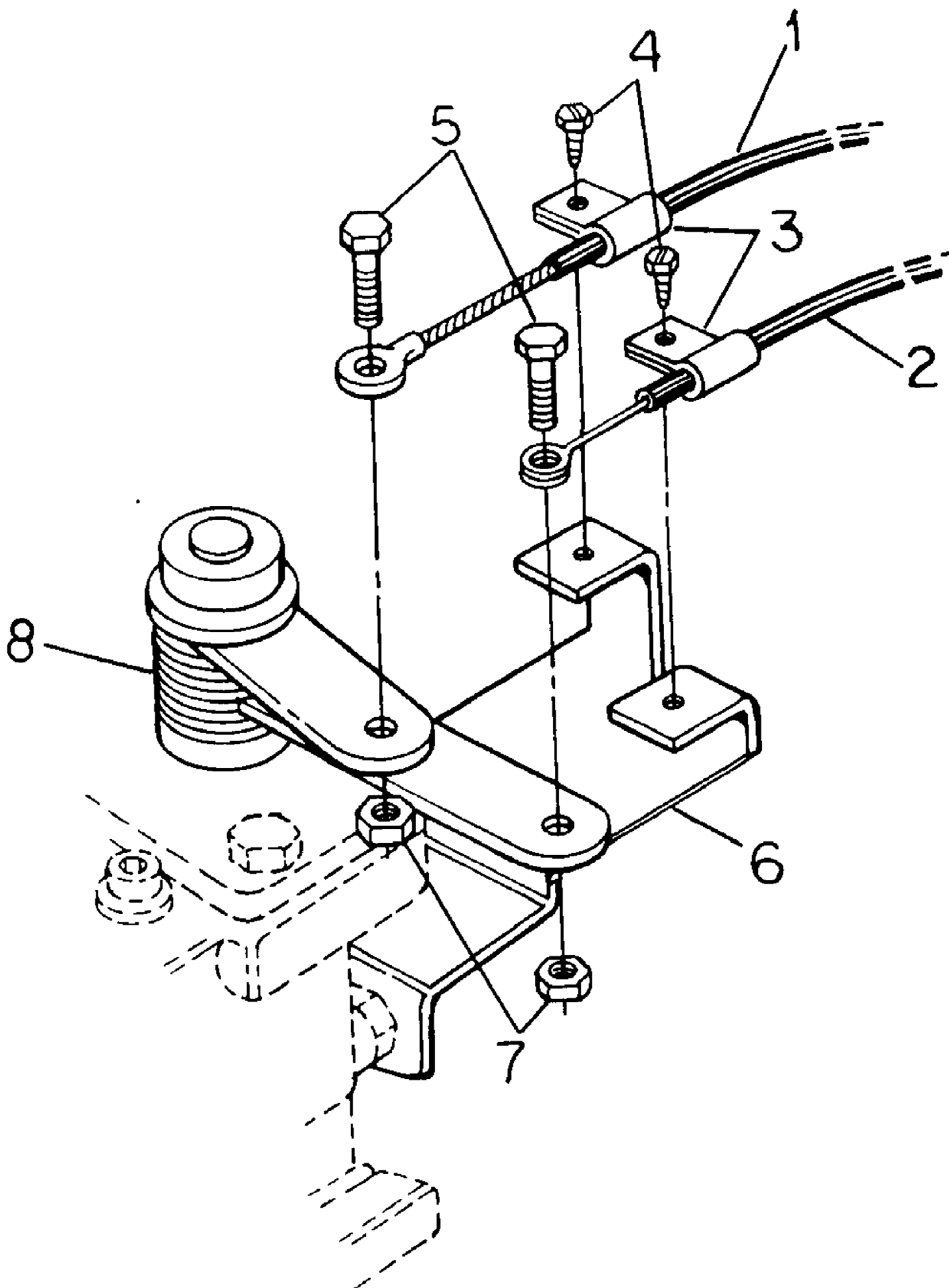
Ref #	Part Number	Qty	S/P/F	Description
1	IH-69152-C92	1		Valve Assy, 4 Way (For Replacement Order Control Valve Assy Part No. 717-3004)
2	IH-69153-C1	1		Cup
3	IH-69154-C1	1		Spring
4	IH-69155-C1	1		Washer, Return
5	IH-303322-R1	1		Ring, Internal Retaining
6	IH-355966-R1	2		O-Ring, 7/16 X 5/8 X 3/32
	717-3004	1		Valve Assy, Control Only Serviceable Parts Are
	759-3432	1		Kit, Seal
	759-3433	1		Kit, Spring Centering



1512, 882, 782-Diesel  
Control Valve-Cessna

Page 24 of 135

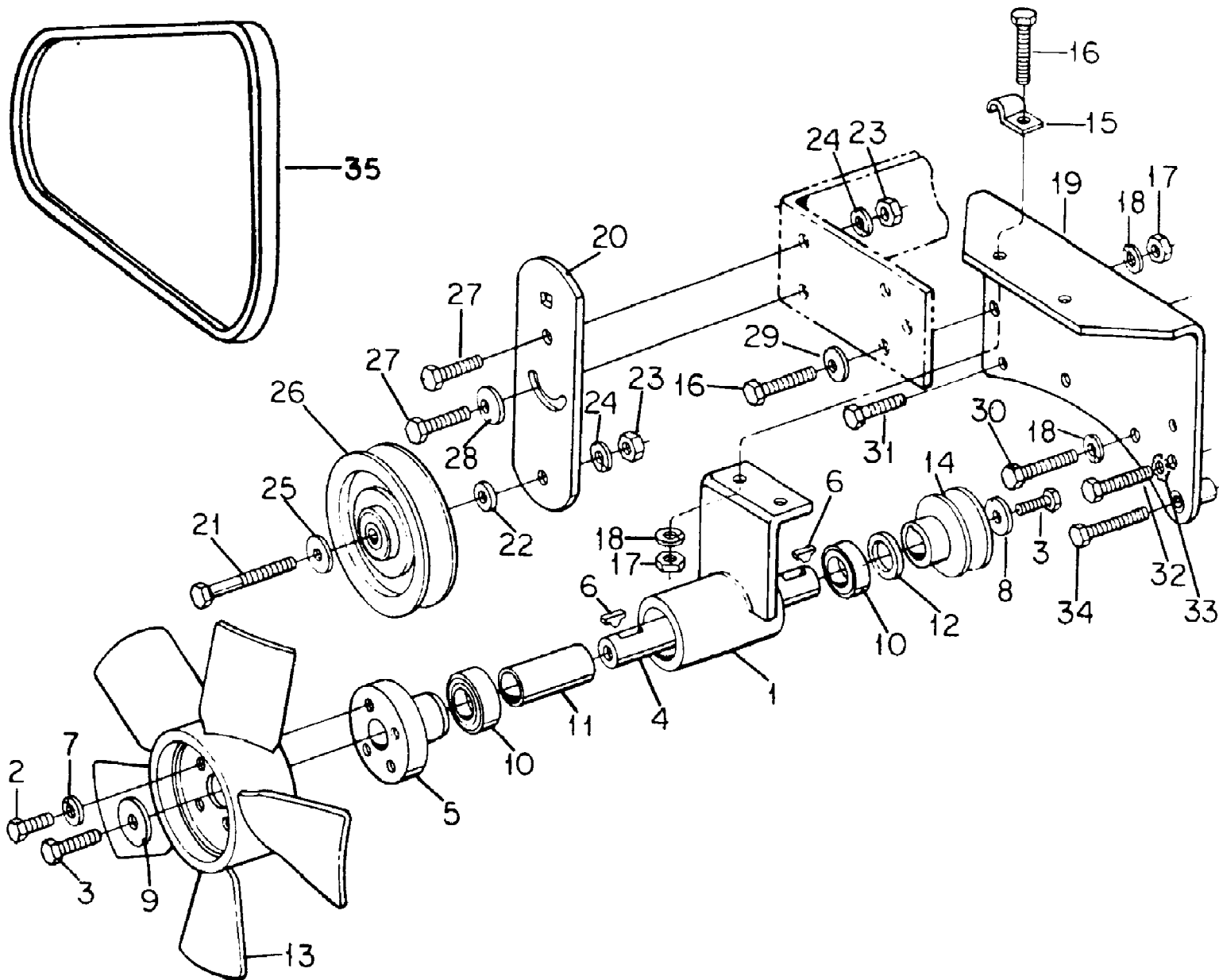
Ref #	Part Number	Qty	S/P/F	Description
	IH-547633-R92	1		Valve Assy, Control (For Replacement Order Control Valve Assy Part No. 717-3004)
1	IH-673622-R1	1		Plunger, Lift Check
2	IH-201844-C91	1		Plug, Lift Check
3	IH-252738-R1	1		O-Ring, 3/8 X 9/16 X 3/32
4	IH-673625-R1	1		Spring, Lift Check
5		1		Spool - Not Serviced Separately
6		1		Body - Not Serviced Separately
7		1		Not used in this application
8	IH-674492-R1	1		Spacer, Spool
9	IH-674775-R1	1		Bushing
10	IH-1418841-R1	1		Cap
11	IH-674490-R1	1		Spring, Spool Center
12	IH-252739-R1	2		O-Ring, 1/2 X 11/16 X 3/32
13	IH-824545-C1	1/AR		Washer, .020
	HH-03-03017	1/AR		Washer, .046
14	~NLA	1		Ring, Retainer



1512, 882, 782-Diesel  
Controls

Ref #	Part Number	Qty	S/P/F	Description
1	746-3012	1		Cable, Shut-Off
2	746-3013	1	S	Cable, Throttle
3	726-3036	2		Clamp, Conduit
4	710-0436	2	S	Screw, 10-16 X 5/8 H/Hd Tap
5	710-0376	2	/P	Bolt, 5/16 X 1 Type 5
6	703-1002	1		Bracket, Control
7	712-3009	2	S	Nut, 5/16 Cad P/T Lock Type 5
8		1		Speed Control Unit (See Heading Speed Control Plate)

1512, 882, 782-Diesel  
Cooling Fan

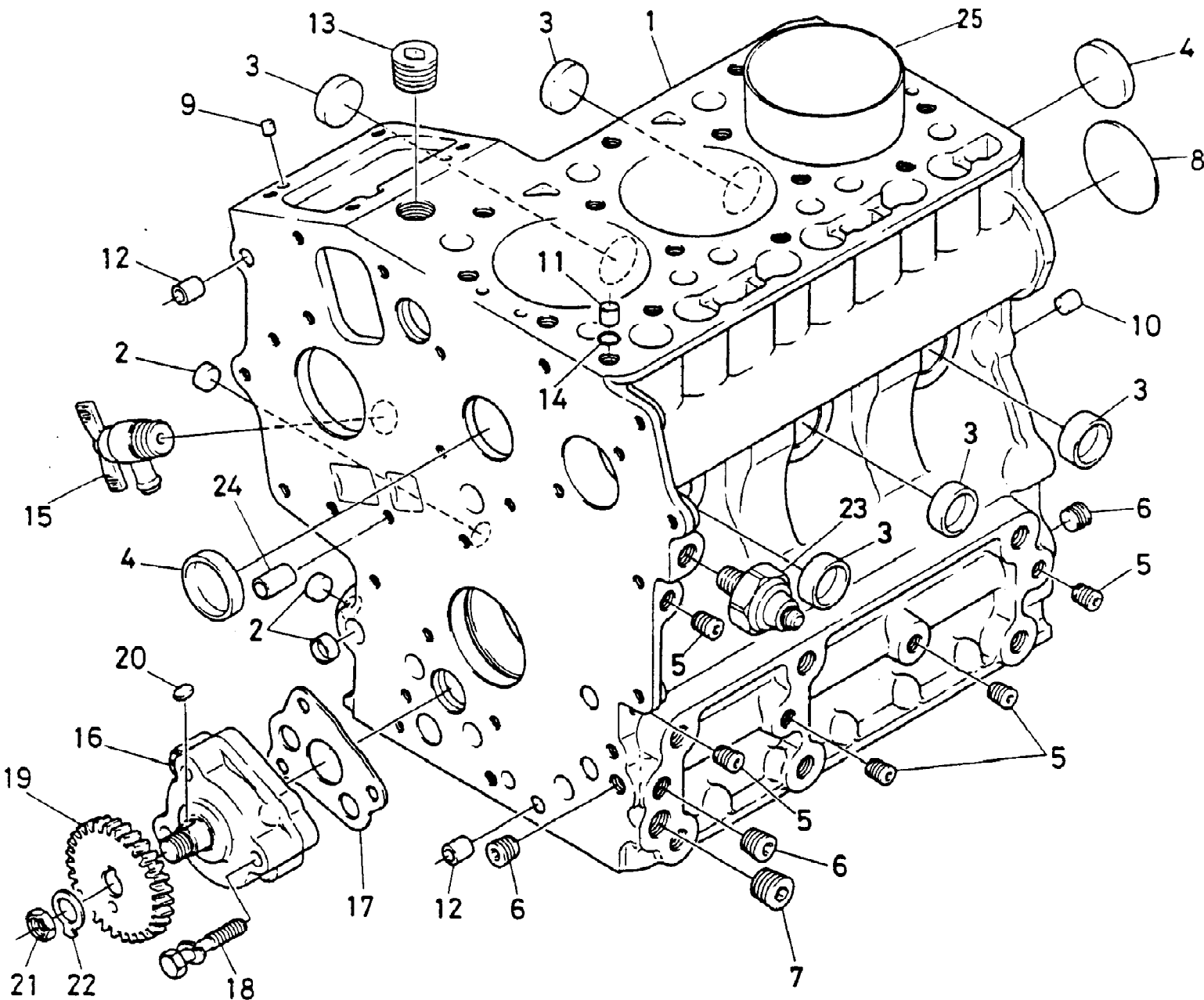


1512, 882, 782-Diesel  
Cooling Fan

Page 28 of 135

Ref #	Part Number	Qty	S/P/F	Description
1	759-3201	1		Support, Fan
2	710-0751	4	/P	Bolt, 1/4 X 5/8 Type 5
3	710-3129	2	S	Bolt, Hex Patch, 5/16 X 1-1/8
4	711-3136	1		Shaft, Fan
5	711-3137	1		Hub, Fan
6	714-0388	2	S	Key, Special
7	736-0329	4	S	Washer, 1/4 Lock
8	736-3074	1	/P	Washer
9	736-3078	1	/P	Washer
10	741-0140	2	S	Bearing, Ball
11	750-3034	1		Spacer
12	750-3035	1		Spacer
13	KB-19488-74110	1	/P	Fan
14	756-3043	1		Pulley
15	703-1050	1		Clip, Cable
16	710-0888	5	/P	Bolt, 5/16-NF X 1 Type 5
17	712-3057	4	S	Nut, 5/16-NF Type 5
18	736-0119	5	S	Washer, 5/16 Lock
19	703-0961	1		Bracket, Fan Mount
20	703-0964	1		Bracket, Idler Support
21	710-3037	1	S	Bolt, 3/8 X 1-3/4 Type 5
22	711-3144	1		Spacer
23	712-3000	3	S	Nut, 3/8 Cad P/T Lock Type 5
24	736-0169	3	S	Washer, 3/8 Lock
25	736-0140	1	S	Washer, .406 X .812 X .051
26	756-3032	1		Pulley, Idler
27	710-0514	2	/P	Bolt, 3/8 X 1 Type 5
28	736-0308	1		Washer, Bell
29	736-0242	3	/P	Washer, Bell
30	710-3139	2		Bolt, M8 X 40 Phc Class 8.8
31	710-0772	1	/P	Bolt, 5/16-NF X 2 Type 5
	736-0119	1	S	Washer, 5/16 Lock
	712-3057	1	S	Nut, 5/16-NF Type 5
32	710-0528	2	/P	Bolt, 5/16 X 1-1/4 Type 5
	736-0119	2	S	Washer, 5/16 Lock
	712-0267	2	S	Nut, 5/16 Type 5
33	736-3007	2		Washer, 5/16 Ext-Int Tooth Lock
34	710-0624	1	/P	Bolt, 5/16-NF X 1-1/2 Type 5
	736-0119	1	S	Washer, 5/16 Lock
	712-3057	1	S	Nut, 5/16-NF Type 5
35	754-3022	1		Belt, Fan

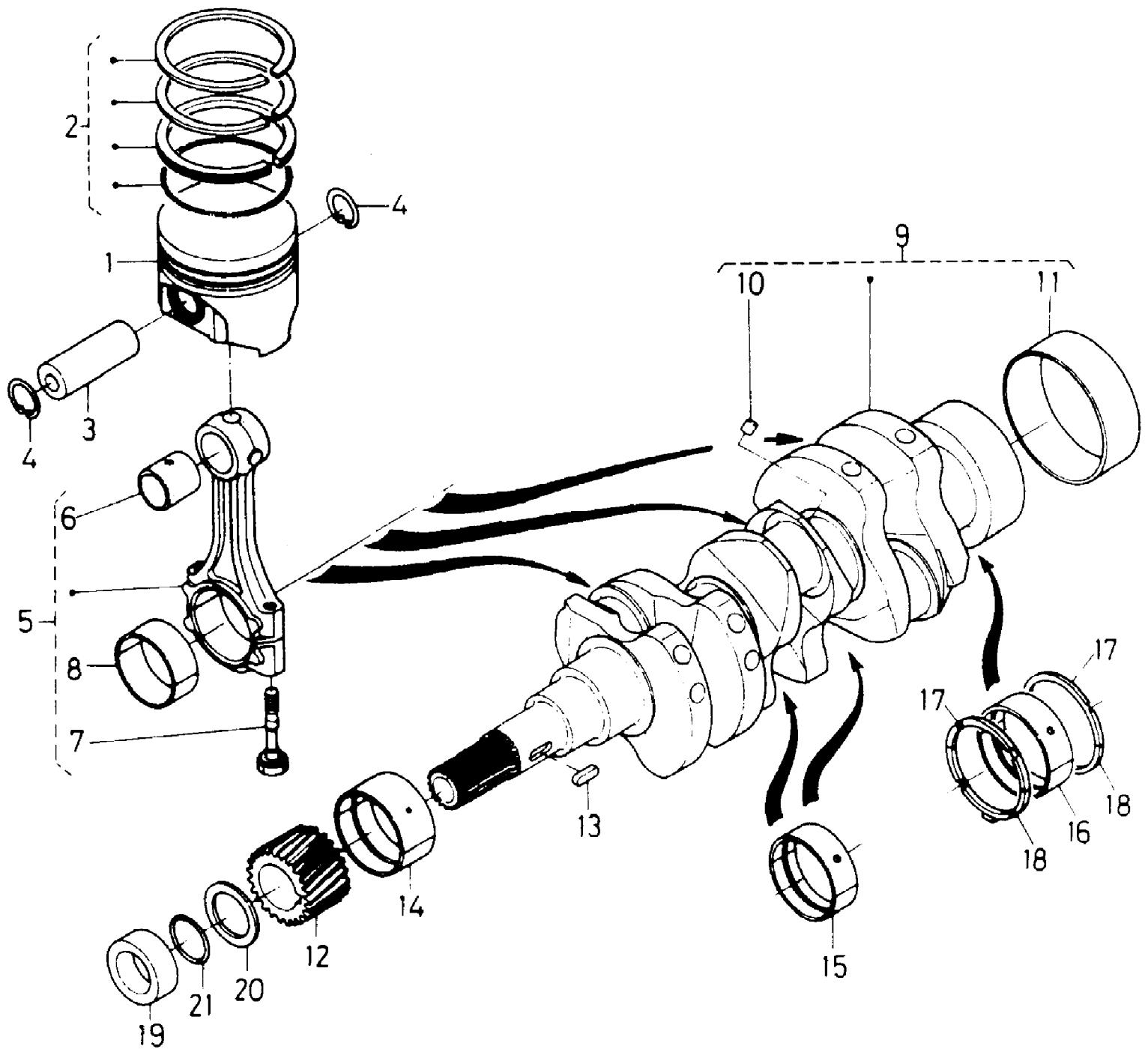




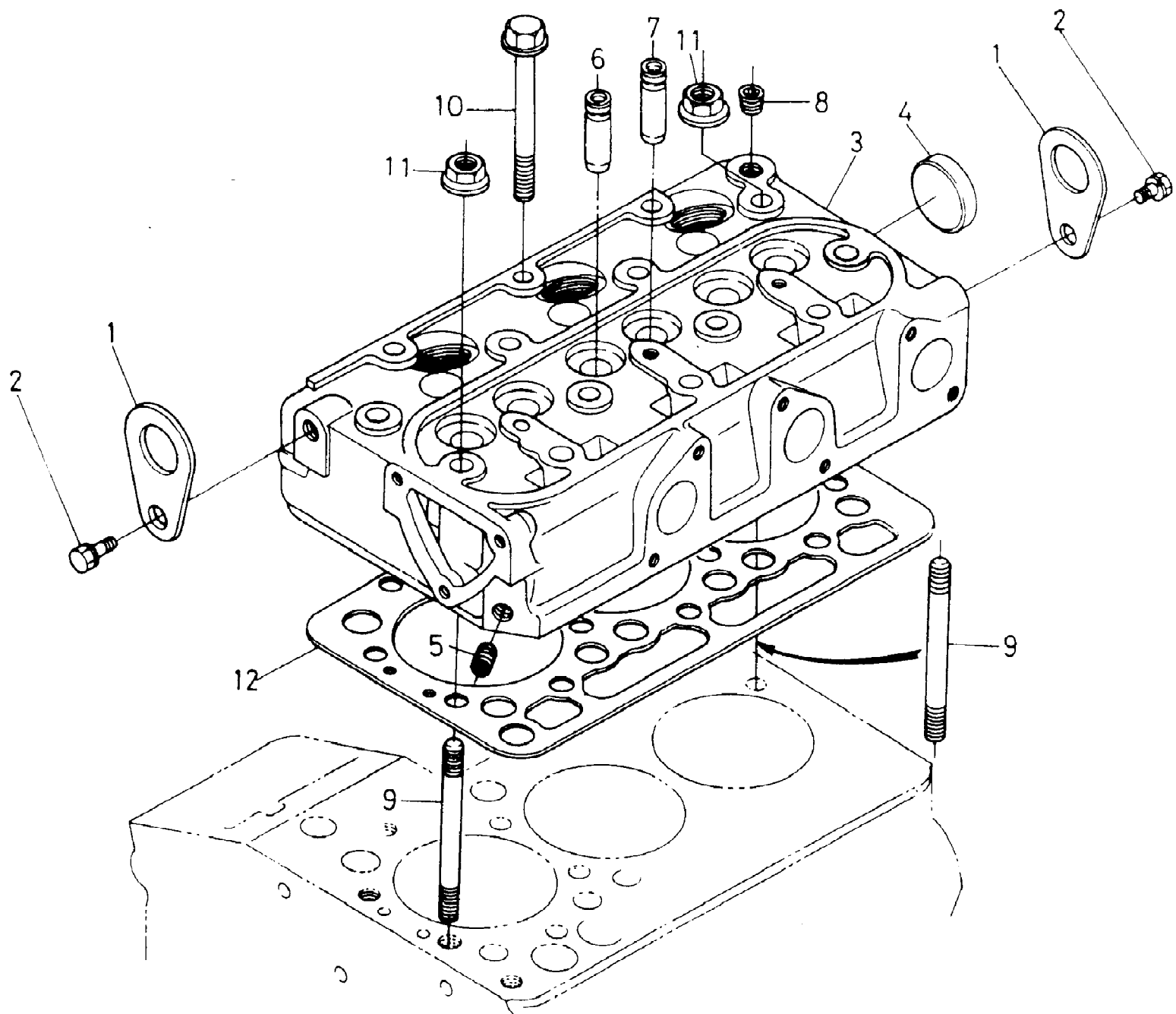
1512, 882, 782-Diesel  
Crankcase Block

Page 30 of 135

Ref #	Part Number	Qty	S/P/F	Description
1	KB-15861-01013	1		Crankcase Assy (Includes Ref No. 2 thru 13, 24 & 25)
2	KB-15451-96300	1		Plug 5
3	KB-15451-96260	5		Plug 1
4	KB-15451-96270	2		Plug 2
5	KB-15261-96010	5		Plug
6	KB-15521-96020	3		Plug
7	KB-15521-96030	1		Plug
8	KB-15261-96160	1		Plug
9	KB-05012-00508	2		Pin, Straight
10	KB-05012-00814	2		Pin, Straight
11	KB-15221-33650	1		Pin, Pipe
12	KB-15231-33960	2		Pin, Pipe
13	KB-15841-96010	1		Plug
14	KB-15221-33700	1	/P	O-Ring
15	KB-15841-73020	1		Handle, Drain Cock
16	KB-15841-35010	1		Pump, Oil
17	KB-15841-35150	1	S	Gasket, Oil Pump
18	KB-15841-91050	3		Bolt
19	KB-15841-35660	1		Gear, Oil Pump Drive
20	KB-05712-00408	1		Key
21	KB-02016-50100	1		Nut
22	KB-04211-50100	1		Washer, Claw
23	KB-15841-39010	1	/P	Switch, Oil
24	KB-17331-59190	2		Pin, Pipe
25	KB-15861-02310	3		Lining, Cylinder

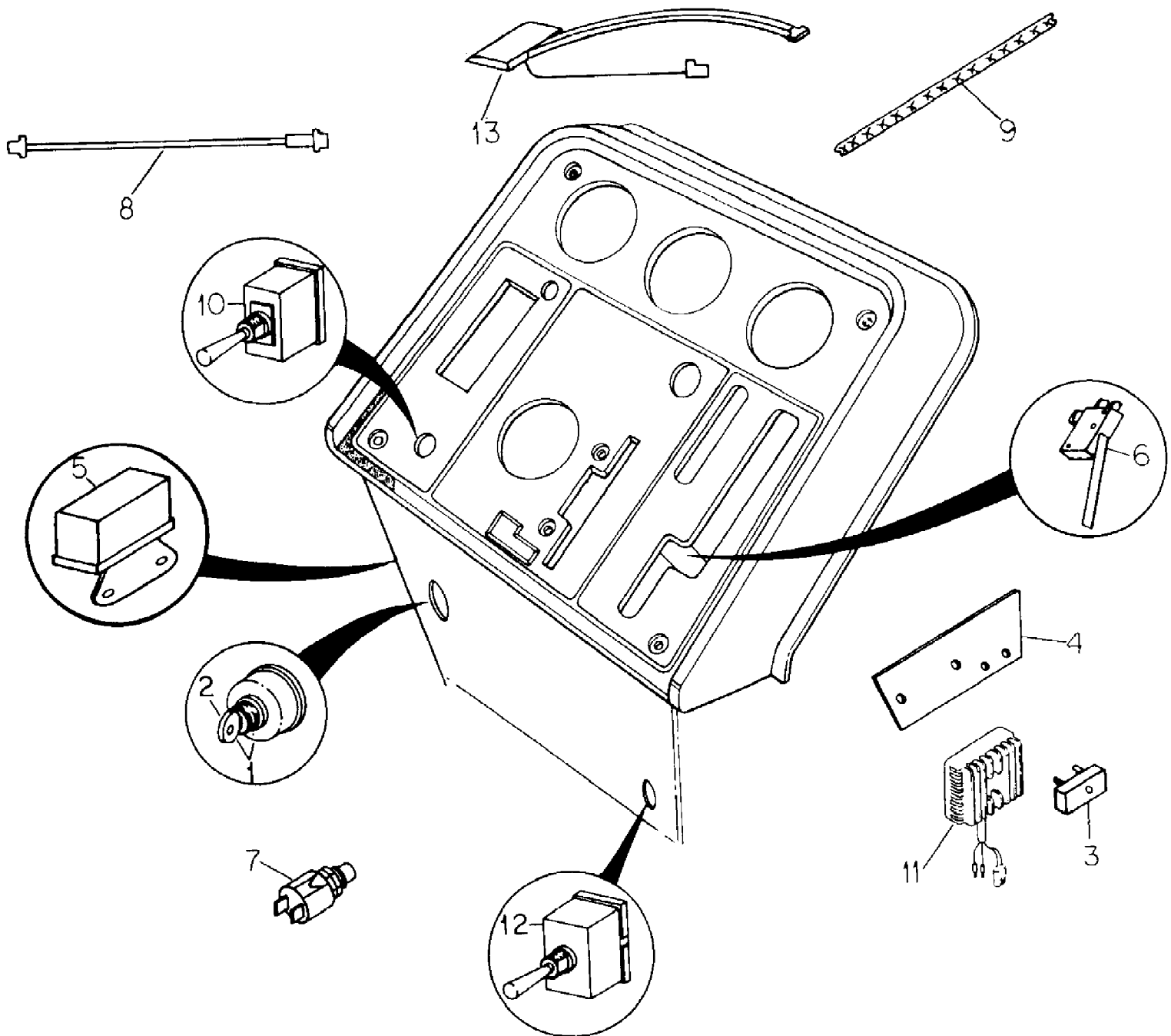


Ref #	Part Number	Qty	S/P/F	Description
1	KB-15841-21110	3		Piston (Std)
	KB-15841-21910	3		Piston (+0.5mm)
2	KB-14601-21050	3		Ring, Piston (Std)
	KB-14601-21090	3		Ring, Piston (+0.5mm)
3	KB-15841-21310	3	/P	Pin, Piston
4	KB-14601-21330	6	/P	Ring, Retaining
5	KB-15841-22010	3		Rod Assy, Connecting (Includes Ref No. 6, 7 & 8)
6	KB-15841-21980	3	/P	Bushing, Piston Pin
7	KB-15841-22140	3		Bolt, Connecting Rod
8	KB-15841-22310	3	S	Bearing, Connecting Rod (Std)
	KB-15841-22970	3		Bearing, Connecting Rod (-0.2mm)
	KB-15841-22980	3		Bearing, Connecting Rod (-0.4mm)
9	KB-15861-23010	1		Crankshaft Assy [Includes Ref No. 10 (Qty 3) & 11]
10	KB-15131-01380	3		Pin
11	KB-19215-23280	1	/P	Sleeve, Crankshaft
12	KB-15841-24110	1		Gear, Crankshaft
13	KB-05712-00515	1		Key
14	KB-15841-23470	1	S	Bearing, Crankshaft Main (Std)
	KB-15841-23910	1	S	Bearing, Crankshaft Main (-0.2mm)
	KB-15841-23920	1		Bearing, Crankshaft Main (-0.4mm)
15	KB-15841-23480	2		Bearing, Crankshaft Main (Std)
	KB-15841-23860	2		Bearing, Crankshaft Main (-0.2mm)
	KB-15841-23870	2		Bearing, Crankshaft Main (-0.4mm)
16	KB-15261-23480	1	S	Bearing, Crankshaft Main (Std)
	KB-15261-23930	1		Bearing, Crankshaft Main (-0.2mm)
	KB-15261-23940	1	S	Bearing, Crankshaft Main (-0.4mm)
17	KB-15261-23530	2	/P	Bearing, Side (Std)
	KB-15261-23950	2		Bearing, Side (+0.2mm)
	KB-15261-23960	2		Bearing, Side (+0.4mm)
18	KB-15261-23540	2	/P	Bearing, Side (Std)
	KB-15261-23970	2		Bearing, Side (+0.2mm)
	KB-15261-23980	2		Bearing, Side (+0.4mm)
19	KB-15841-23250	1	/P	Collar, Crankshaft
20	KB-15841-23310	1		Slinger, Crankshaft Oil
21	KB-04811-16220	1		O-Ring



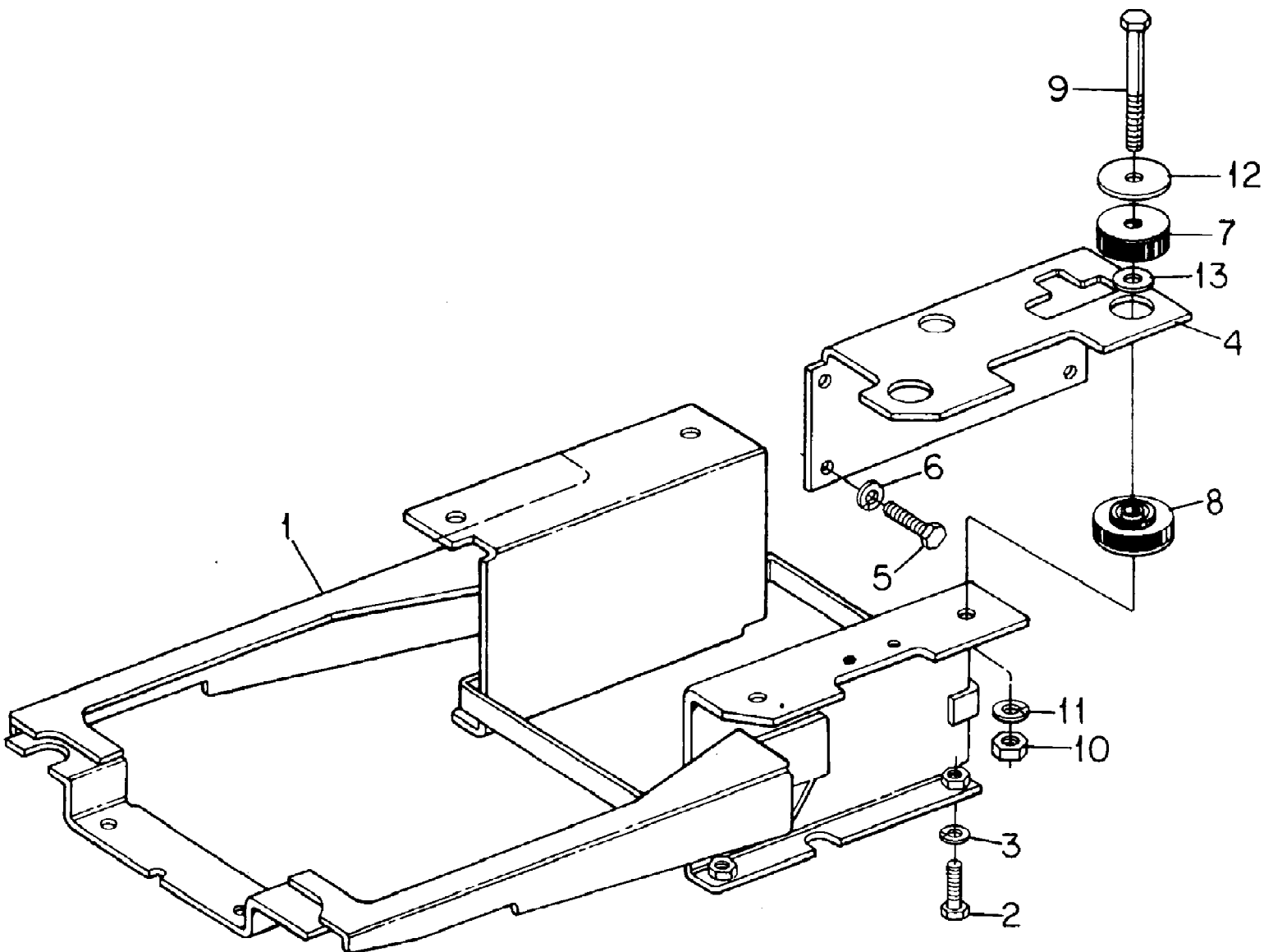
1512, 882, 782-Diesel  
Cylinder Head

Ref #	Part Number	Qty	S/P/F	Description
1	KB-15841-01750	2		Hook, Engine
2	KB-01123-50814	2		Bolt, M8 X 14 PIn H/Hd Class 8.8
3	KB-15861-02030	1		Head Assy, Cylinder (Includes Ref No. 4 thru 8)
4	KB-15321-96260	1		Plug
5	KB-15261-96010	1		Plug
6	KB-15841-13540	3	/P	Guide, Intake Valve
7	KB-15841-13560	3		Guide, Exhaust Valve
8	KB-15841-72920	1	S	Plug
9	KB-15841-03410	2		Stud, Head
10	KB-14601-03450	12	/P	Bolt, Head
11	KB-19231-03512	2		Nut, Head
12	KB-15861-03312	1	S	Gasket, Head
	KB-31351-32830	1	/P	Switch, Temperature
	KB-07916-24520	1		Kit, Upper Gasket



Ref #	Part Number	Qty	S/P/F	Description
1	KB-66706-55120	1	/P	Switch, Ignition (Includes Ref. No. 2)
	736-0156	1	/P	Washer, .656 X 1.000 X .105
	712-3013	1	/P	Nut, Ignition Switch
2	KB-66711-55140	1	S	Key, Ignition (Set of 2)
3	725-3090	1	S	Breaker, Circuit
	736-0147	2	S	Washer, No. 10 Ext-Int Tooth Lock
	712-0349	2	/P	Nut, No. 10-NF Mach Screw Type 1
4	731-3038	1		Bracket, Circuit Breaker
5	725-0894	1	S	Relay
	710-0751	2	/P	Bolt, 1/4 X 5/8 Type 5
	736-0329	2	S	Washer, 1/4 Lock
	712-3006	2	/P	Nut, 1/4 Type 5
6	725-3066	1	S	Switch, Reverse Cut-Out
	710-3112	2		Screw, #4-40 X 3/4 Hex Hd
	712-3052	2	/P	Nut, #4-40 Non-Metallic Insert
7	725-3060	1	S	Switch, Neutral Start (Normally Open)
	735-3006	1	/P	Boot, Neutral Start Switch
8	759-3161	1		Cable, Seat Switch Extension (Use When Required)
9	725-3086	1		Harness Assy, Main Cable
	726-3011	1		Strap, Cable Lock
	726-3006	2		Clip, Cable (Pedestal LF Bolt and Inst. Panel)
	712-3006	1	/P	Nut, 1/4 Type 5
	726-3013	1		Clip, Cable (Strg Gear Brkt)
	726-3014	3	S	Clip, Cable (Grille Top and Taillight)
	IH-172427	1		Screw, 1/4 X 1/2 H/Hd Tap
	726-3007	1		Clip, Cable (PTO Clutch)
	726-3015	1	S	Clip, Cable (LH Grille Hsg)
	726-3008	2	/P	Clip, Cable (Heat Shield and Frame)
	710-3039	1	/P	Bolt, 5/16 X 1/2 Type 5
	712-0267	1	S	Nut, 5/16 Type 5
10	725-0893	1	S	Switch, PTO
	736-3003	1	/P	Washer, .531 X .688 X .054 Pln
	712-3014	1	/P	Nut, PTO Switch
11	KB-15533-64600	1	S	Regulator
	710-0606	2	/P	Bolt, 1/4 X 1-1/2 Type 5
12	725-3087	1	S	Switch, Light
	712-3014	1	/P	Nut, Switch
13	725-3093	1		Switch, Seat

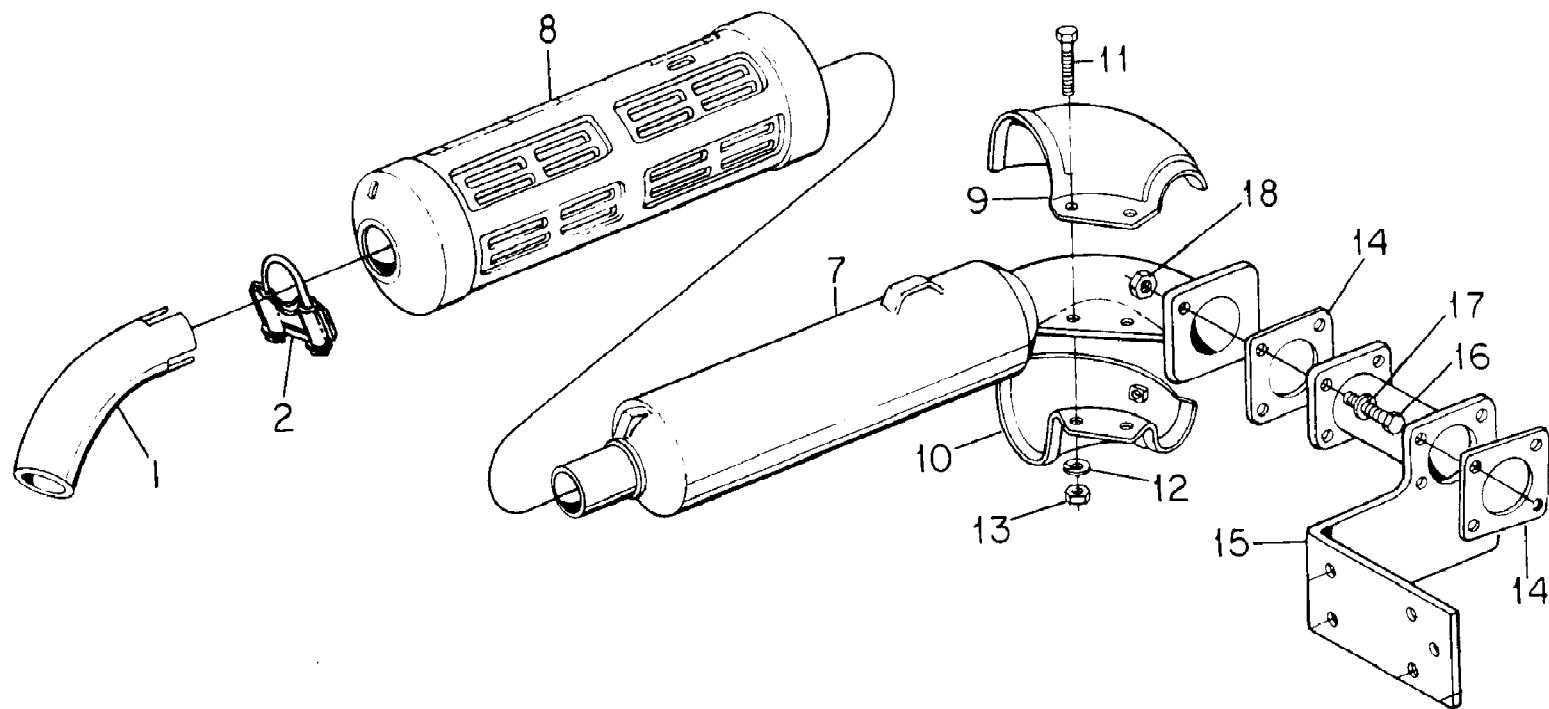




1512, 882, 782-Diesel  
Engine & Mounting

Page 38 of 135

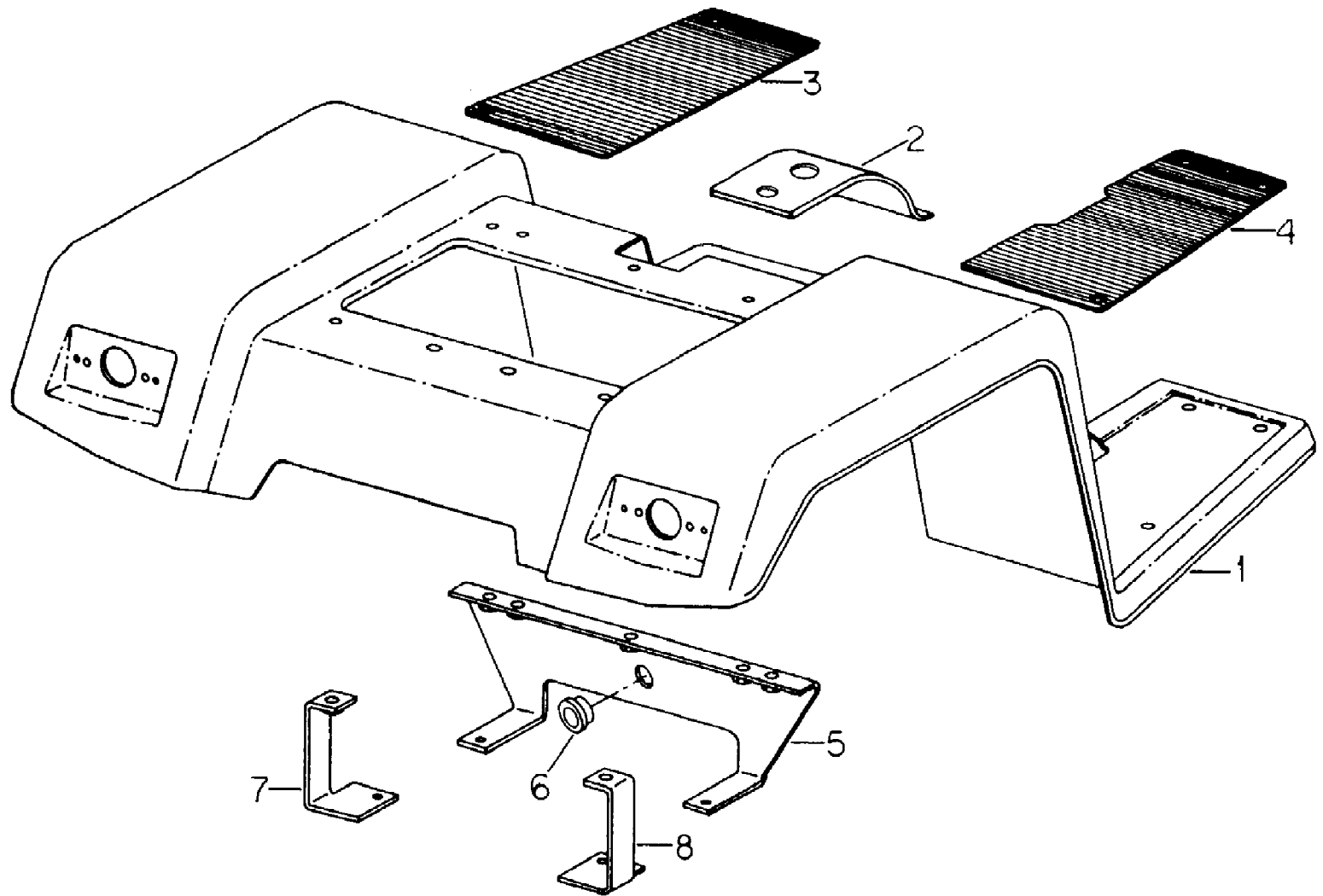
Ref #	Part Number	Qty	S/P/F	Description
	KB-D600B-1	1		Engine Assy
1	703-0981	1		Mount, Engine & Radiator
2	710-3005	4	/P	Bolt, 3/8 X 1-1/4 Type 5
3	736-0169	4	S	Washer, 3/8 Lock
4	703-0959	1		Plate, Engine, LH
	703-0960	1		Plate, Engine RH (Not Shown)
5	710-3136	8		Bolt, M10 X 1.25 X 25-8.8
6	736-3076	8		Washer, 10MM Lock
7	722-3006	4	S	Mount, Engine
8		1		Mount, Engine Load (Included in Ref No. 7)
9	710-3011	4	/P	Bolt, 3/8 X 2-1/4 Type 5
10	712-0798	4	/P	Nut, 3/8 Type 5
11	736-0169	4	S	Washer, 3/8 Lock
12	736-0227	4	S	Washer, .406 X 1.500 X .105
13	736-3072	4	/P	Washer, Flat



1512, 882, 782-Diesel  
Exhaust System

Page 40 of 135

Ref #	Part Number	Qty	S/P/F	Description
1	KB-66711-54410	1	/P	Pipe, Muffler
2	KB-66711-54420	1	/P	Clamp
7	KB-15262-12110	1		Muffler
8	KB-66811-54510	1	/P	Cover w/Product Graphic
	779-3391	1		Graphic, Hot Surface - Do Not Touch
	KB-01202-50612	2	/P	Bolt, M6 X 12 Class 8.8
	KB-04512-50060	2	S	Washer, 6MM Lock
	KB-04012-50060	2		Washer, 6.4 X 12.5 X 1.6MM
9	KB-66711-54550	1	/P	Cover, Muffler Flange, LH
10	KB-66711-54560	1	/P	Cover, Muffler Flange, RH
	KB-01202-50612	2	/P	Bolt
	KB-04012-50060	2		Washer, 6.4 X 12.5 X 1.6MM
11	KB-01153-50628	2	S	Bolt, M6 X 28-8.8
12	KB-04512-50060	2	S	Washer, 6MM Lock
13	KB-02014-50060	2		Nut, M6 Znd Class 8
14	721-3017	2	S	Gasket, Muffler
15	703-0954	1	/P	Extension, Exhaust Manifold
16	710-0888	4	/P	Bolt, 5/16-NF X 1 Type 5
17	736-0119	4	S	Washer, 5/16 Lock
18	712-3057	4	S	Nut, 5/16-NF Type 5

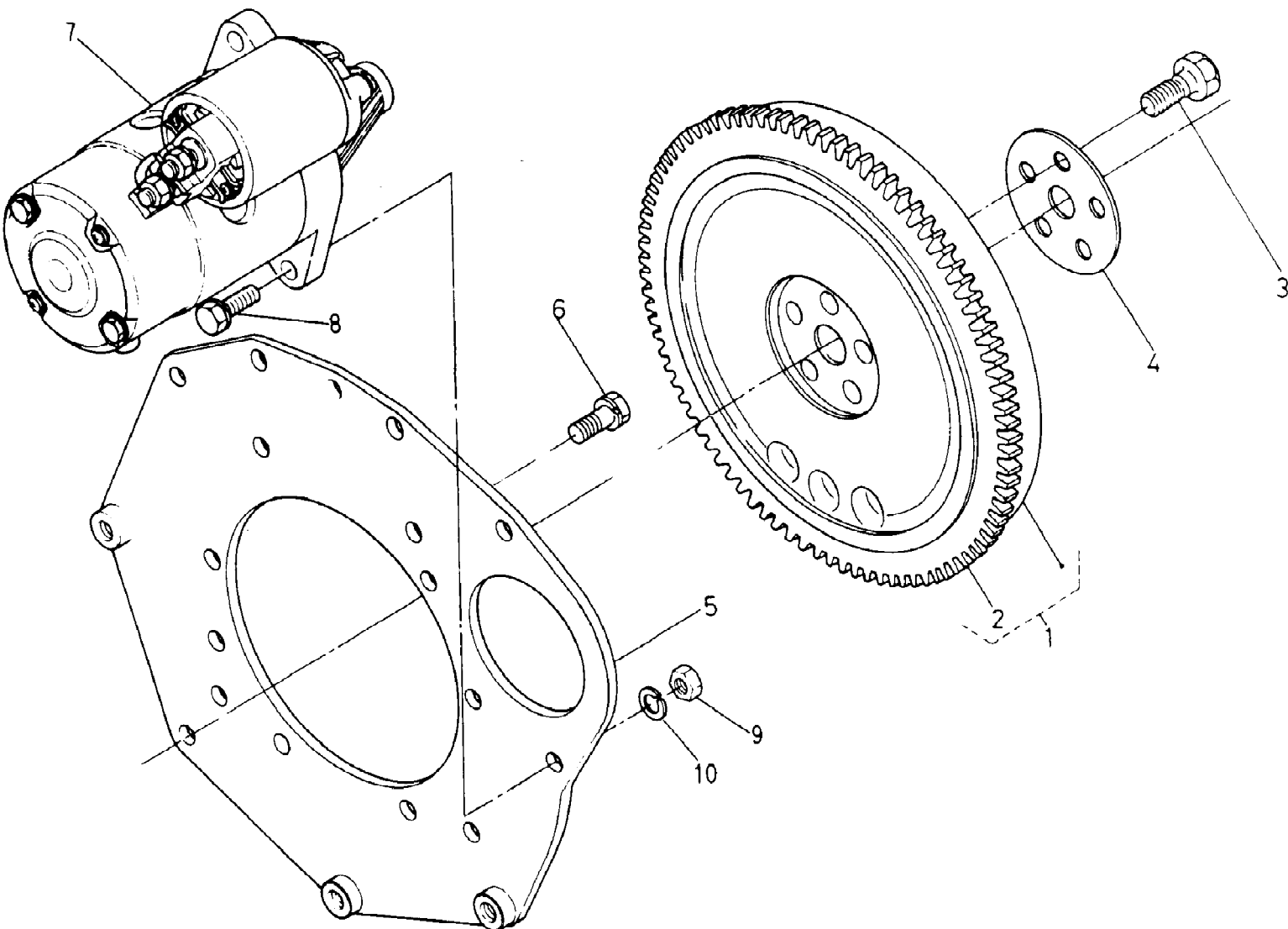


1512, 882, 782-Diesel  
Fenders

Page 42 of 135

Ref #	Part Number	Qty	S/P/F	Description
1	703-0064	1		Fender
	710-3017	2		Bolt, 3/8 X 1/2 Type 5
	736-0169	2	S	Washer, 3/8 Lock
2	703-1042	1		Cover, Hydrostatic Center
	736-0140	1	S	Washer, .406 X .812 X .051
	710-3000	1	S	Bolt, 3/8 X 3/4 Type 5
	723-3041	1		Grommet
3	723-3006	1	/P	Tread, Platform, LH
4	723-3007	1	/P	Tread, Platform, RH
	712-3009	6	S	Nut, 5/16 Cad P/T Lock Type 5
	710-3092	4		Bolt, 5/16 X 3/4 Hex Flg Lk
	IH-535789-R1	2		Bolt, 5/16 X 1-1/4 Hex Flg Lk
	736-3007	1		Washer, 5/16 Ext-Int Tooth Lock
5	703-0993	1		Support, Fender Front
	710-0118	2	S	Bolt, 5/16 X 3/4 Type 5
	736-0185	2	S	Washer, .344 X .750 X .054
6	723-3042	1	/P	Grommet
7	703-0996	1		Support, Rear Fender, LH
8	703-0995	1	/P	Support, Rear Fender, RH
	710-0118	2	S	Bolt, 5/16 X 3/4 Type 5
	736-0185	2	S	Washer, .344 X .750 X .054

1512, 882, 782-Diesel  
Flywheel & Starter

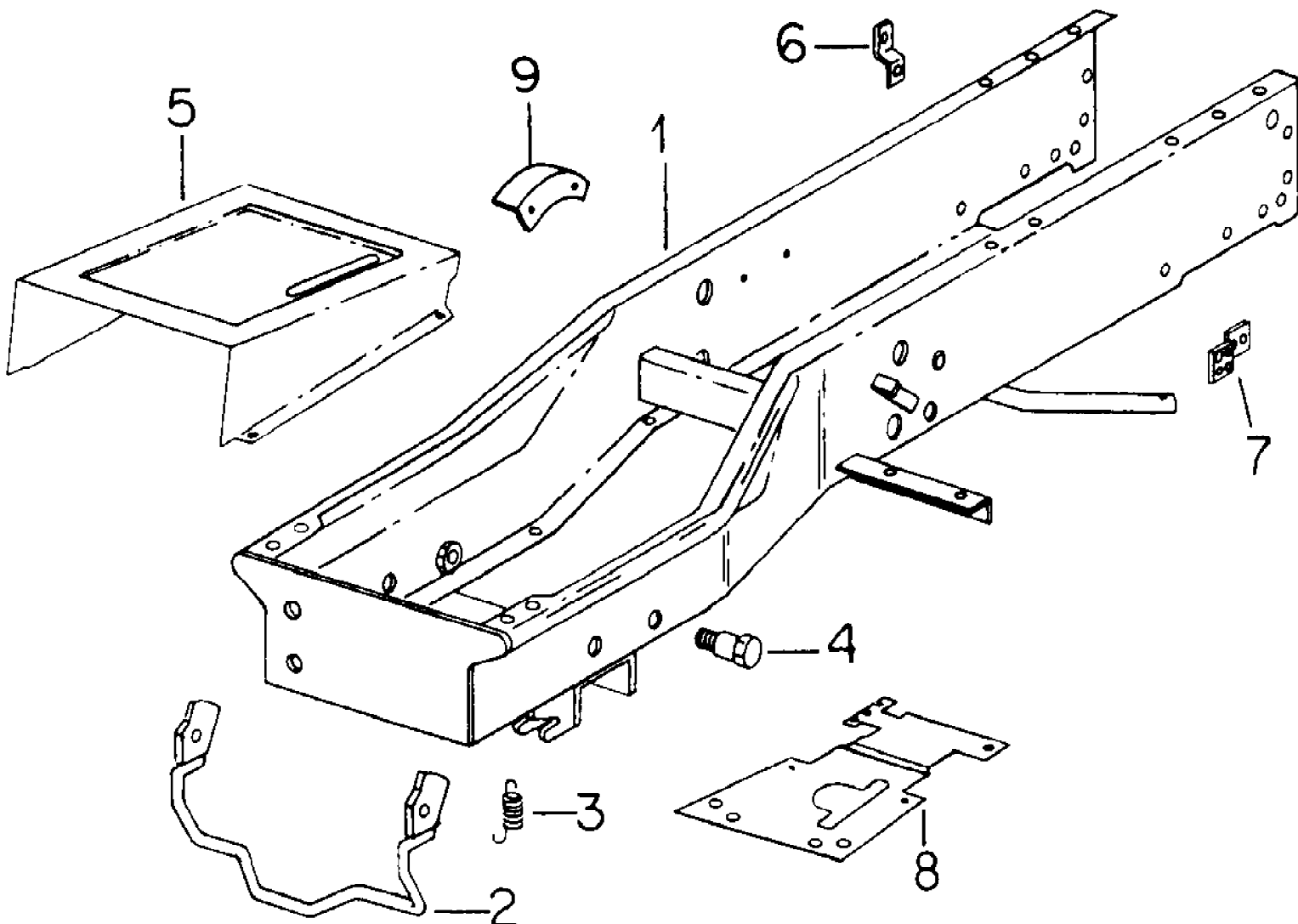


1512, 882, 782-Diesel  
Flywheel & Starter

Page 44 of 135

Ref #	Part Number	Qty	S/P/F	Description
1	KB-19462-25012	1		Flywheel Assy (Includes Ref No. 2)
2	KB-15841-63820	1		Gear, Ring
3	KB-15841-25160	5		Bolt, Flywheel
4	KB-15531-25170	1		Washer, Flywheel
5	KB-15841-04620	1	/P	Plate, Rear End
6	KB-01123-50816	10		Bolt, M8 X 16 Class 8.8
	KB-04512-50080	10	S	Washer, 8MM Lock
7	KB-15852-63010	1	/P	Starter (For Service Parts See Heading Starter Assembly)
8	KB-01153-50828	2		Bolt
9	KB-02156-50080	2		Nut, M8 Class 8
10	KB-04512-50080	2	S	Washer, 8MM Lock

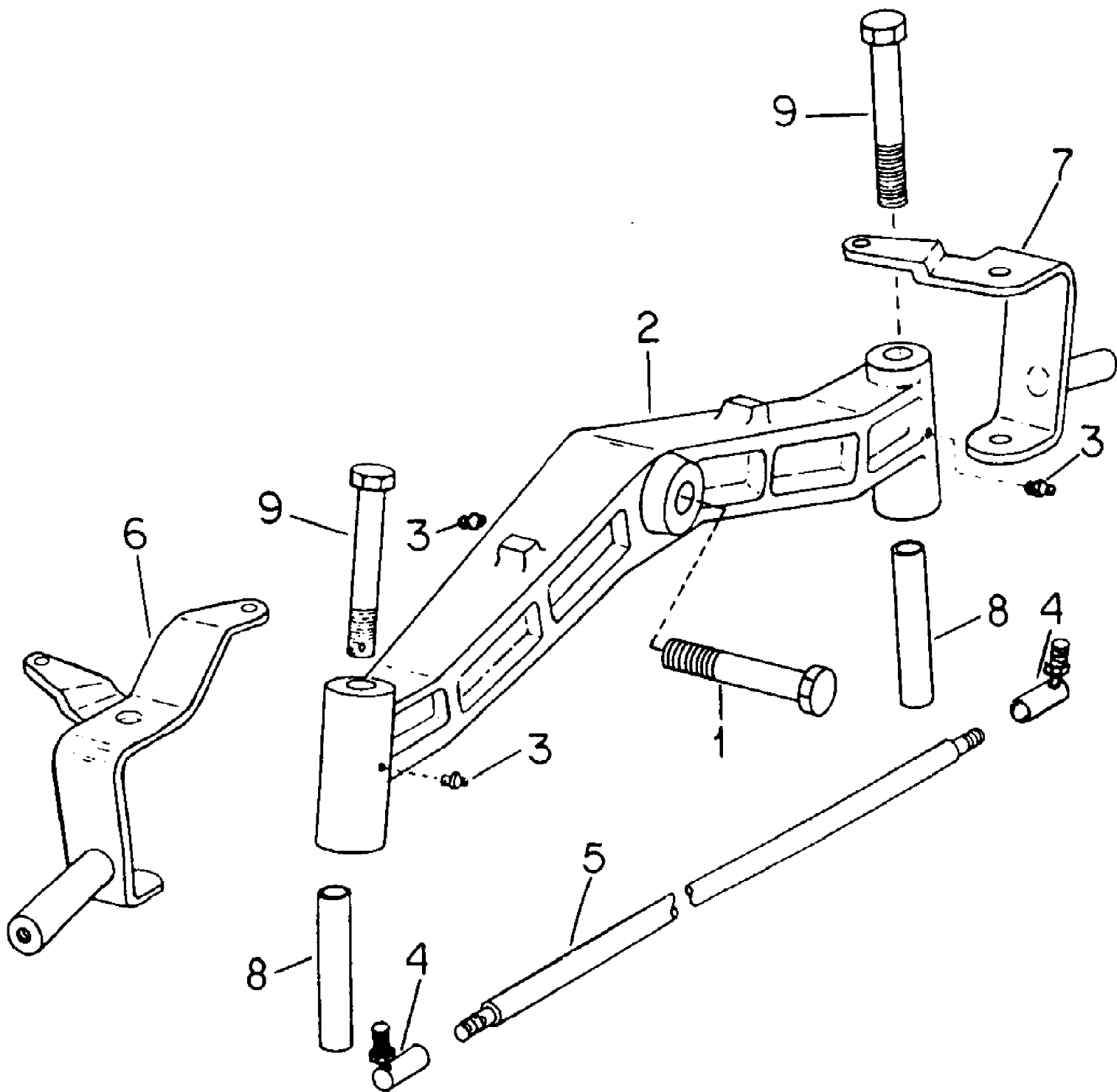




1512, 882, 782-Diesel  
Frame

Page 46 of 135

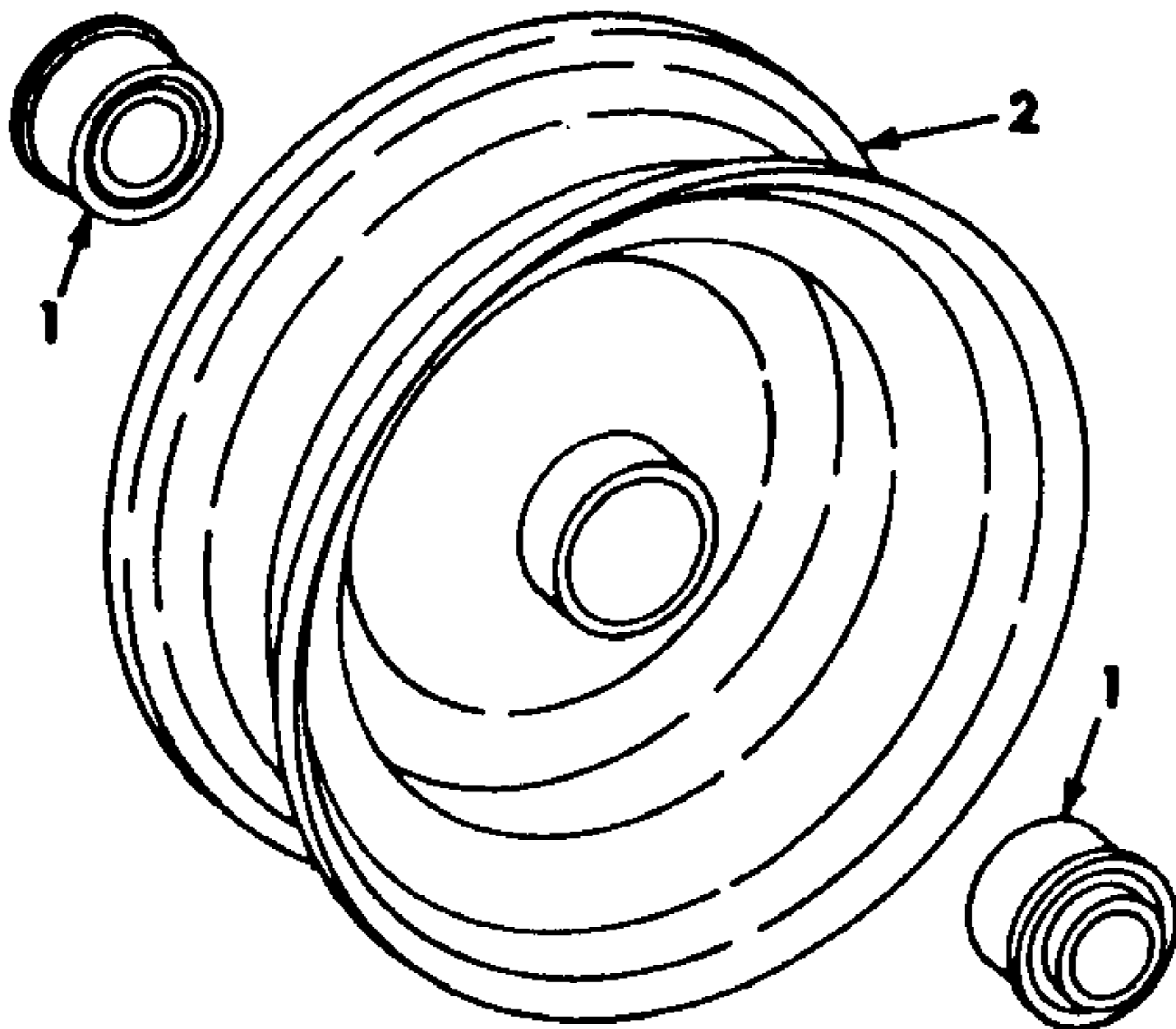
Ref #	Part Number	Qty	S/P/F	Description
1	703-0018	1		Frame Assy
	711-3005	1	/P	Bushing, Frt Axle Pivot Pin
	711-3009	1		Hub, Cam Stop
2	703-1726	1	S	Latch Assy, Quick
	711-3010	2	S	Pin, 3/8 X 1.060 Clevis
	714-0507	2	S	Pin, 3/32 X 3/4 Cot
3	732-3002	1	S	Spring, Latch
4	738-3001	2	S	Bolt, Implement Mtg Shoulder
	736-0272	2	S	Washer, Implement Mtg
	736-3003	2	/P	Washer, .531 X .688 X .054 Pln
5	759-3139	1		Cover w/Product Graphic
	779-3226	1	/P	Product Graphic, Caution
	710-3007	4	/P	Screw, No. 12 X 3/8 H/Whd Tap
6	703-0830	1		Bracket, Trans Mounting, RH
	710-0514	4	/P	Bolt, 3/8 X 1 Type 5
	710-3000	1	S	Bolt, 3/8 X 3/4 Type 5
	736-0169	5	S	Washer, 3/8 Lock Hdn (Use w/RH Trans Mtg Bolt)
7	703-0831	1		Bracket, Trans Mounting, LH
	710-3005	1	/P	Bolt, 3/8 X 1-1/4 Type 5
	736-0169	1	S	Washer, 3/8 Lock
	712-0342	1	/P	Nut, 3/8 Jam Type 5
8		1		Not used in this application
9	703-0828	1		Bracket, Indicator



1512, 882, 782-Diesel  
Front Axle

Page 48 of 135

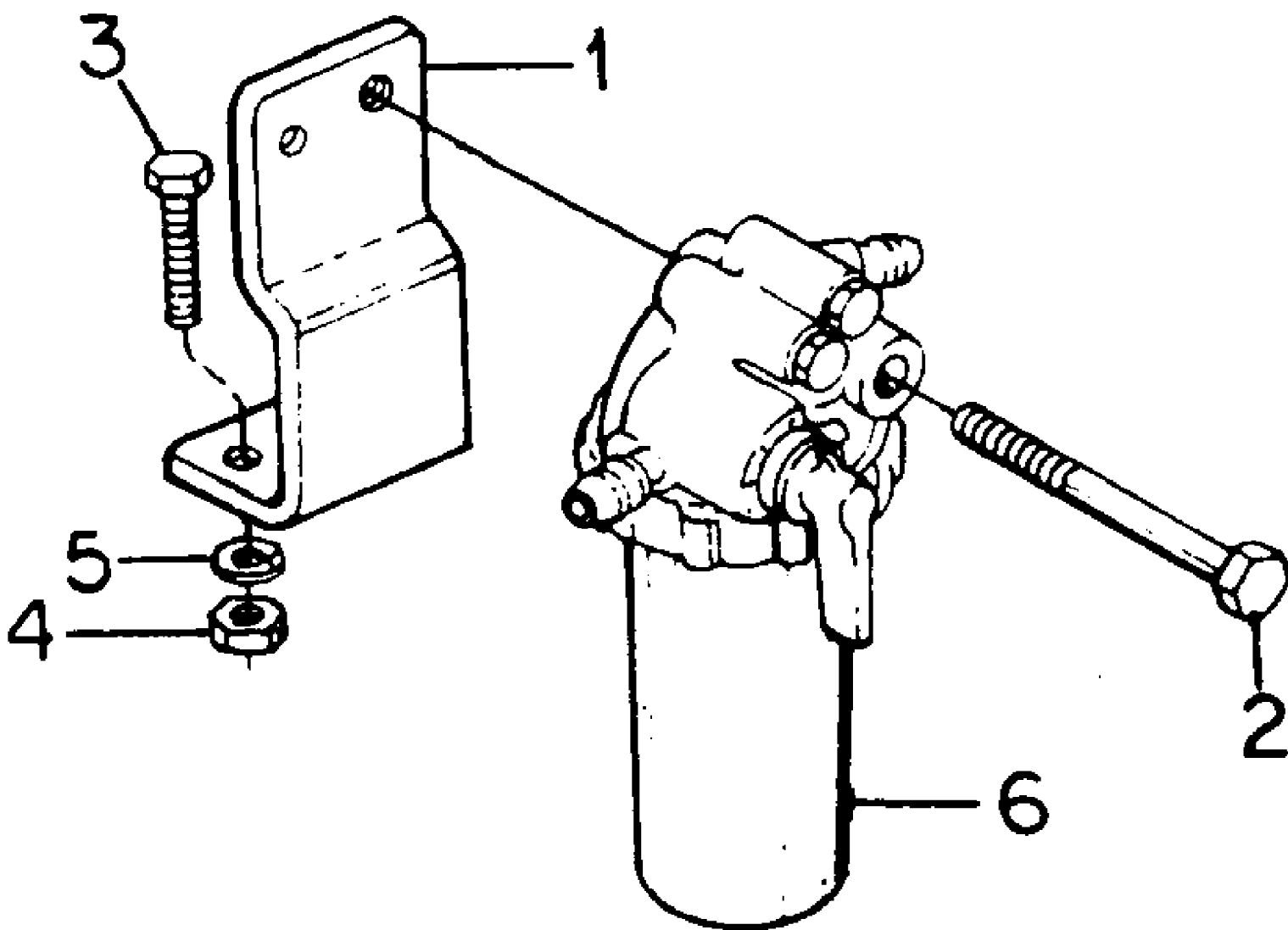
Ref #	Part Number	Qty	S/P/F	Description
1	710-3019	1	/P	Bolt, Front Axle Pivot (Replaces IH-140218-C1 by Also Ordering -1- Bolt 710-3019 and -2- Washers I
	712-3011	1		Nut, 3/4 Slit Type 5
	714-3001	1	S	Pin, 1/8 X 1-1/2 Pln Cot
2	759-3270	1		Axle, Front
3	737-3000	3	S	Fitting, 3/16 Drive Type Str Lub
4	723-3000	2	S	Joint Assy, Ball
	712-3002	2	S	Nut, 3/8-NF Slit Type 5
	714-0507	2	S	Pin, 3/32 X 3/4 Cot
5	711-3018	1	/P	Rod, Tie
	712-3001	2	S	Nut, 3/8-NF Pln Jam Type 5
6	703-0083	1	S	Knuckle Assy, Steering, LH
	710-3000	1	S	Bolt, 3/8 X 3/4 Type 5
	736-3011	1	/P	Washer, .406 X 1.750 X .105
7	703-0085	1	S	Knuckle Assy, Steering, RH
	710-3000	1	S	Bolt, 3/8 X 3/4 Type 5
	736-3011	1	/P	Washer, .406 X 1.750 X .105
8	750-3002	2	S	Spacer, Steering Knuckle
9	710-3020	2	/P	Bolt, Steering Knuckle
	712-3012	2	S	Nut, 1/2-NF Slit Type 5
	714-0111	2	S	Pin, 3/32 X 1 Cot



1512, 882, 782-Diesel  
Front Wheels

Ref #	Part Number	Qty	S/P/F	Description
1	741-3002	4	S	Bearing Assy, Front Wheel
2	734-3053	2		Wheel Assy, Front -5.38/8 Rim for 6.50-8 Tire
	734-0255	2	S	Valve, TR-413 Tubeless Type
	734-3008	2	/P	Cap, Hub
	IH-117255-C1	4	S	Clip, Hub Cap Spring

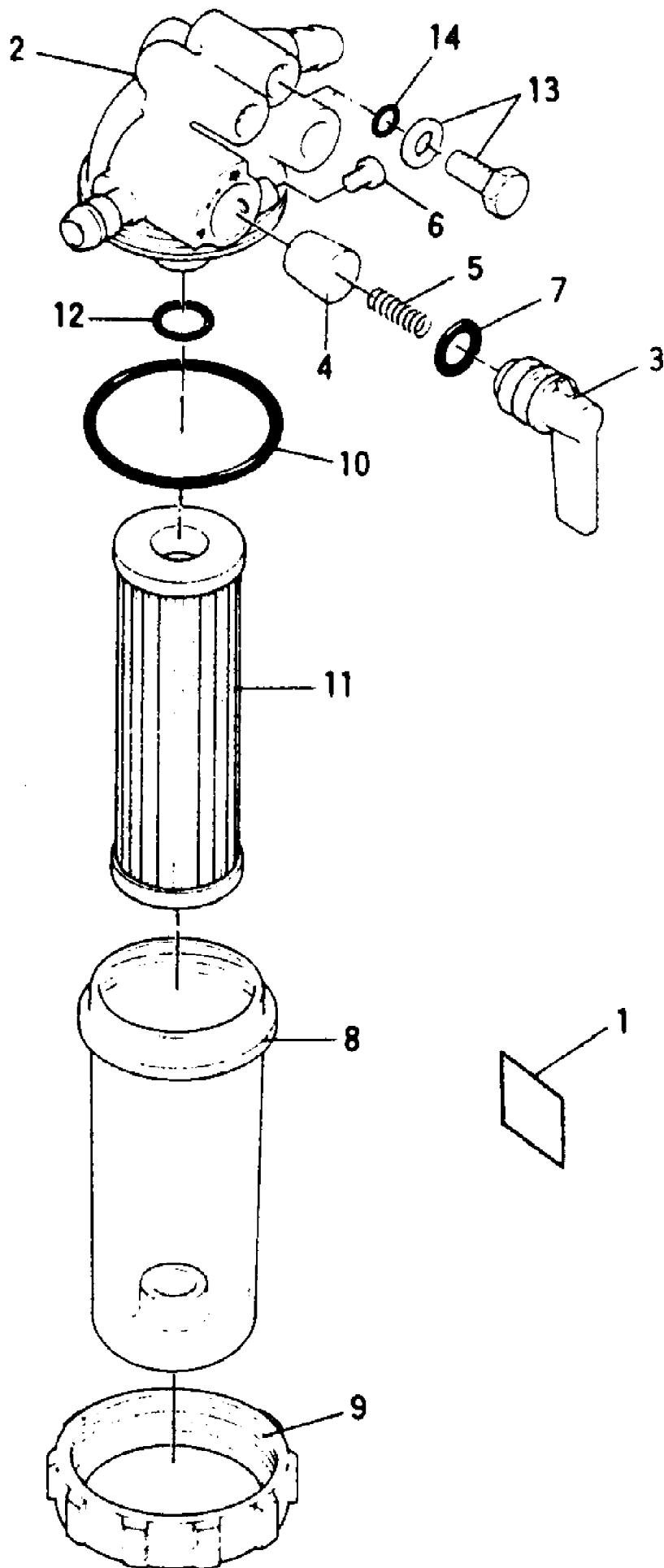
1512, 882, 782-Diesel  
Fuel Filter



1512, 882, 782-Diesel  
Fuel Filter

Ref #	Part Number	Qty	S/P/F	Description
1	703-0987	1		Support, Fuel Filter
2	710-0378	1	/P	Bolt, 5/16 X 2-1/2 Type 5
3	710-0376	2	/P	Bolt, 5/16 X 1 Type 5
4	712-0267	2	S	Nut, 5/16 Type 5
5	736-0119	2	S	Washer, 5/16 Lock
6	KB-19204-43010	1	S	Filter, Fuel (For Components See Separate Listing)

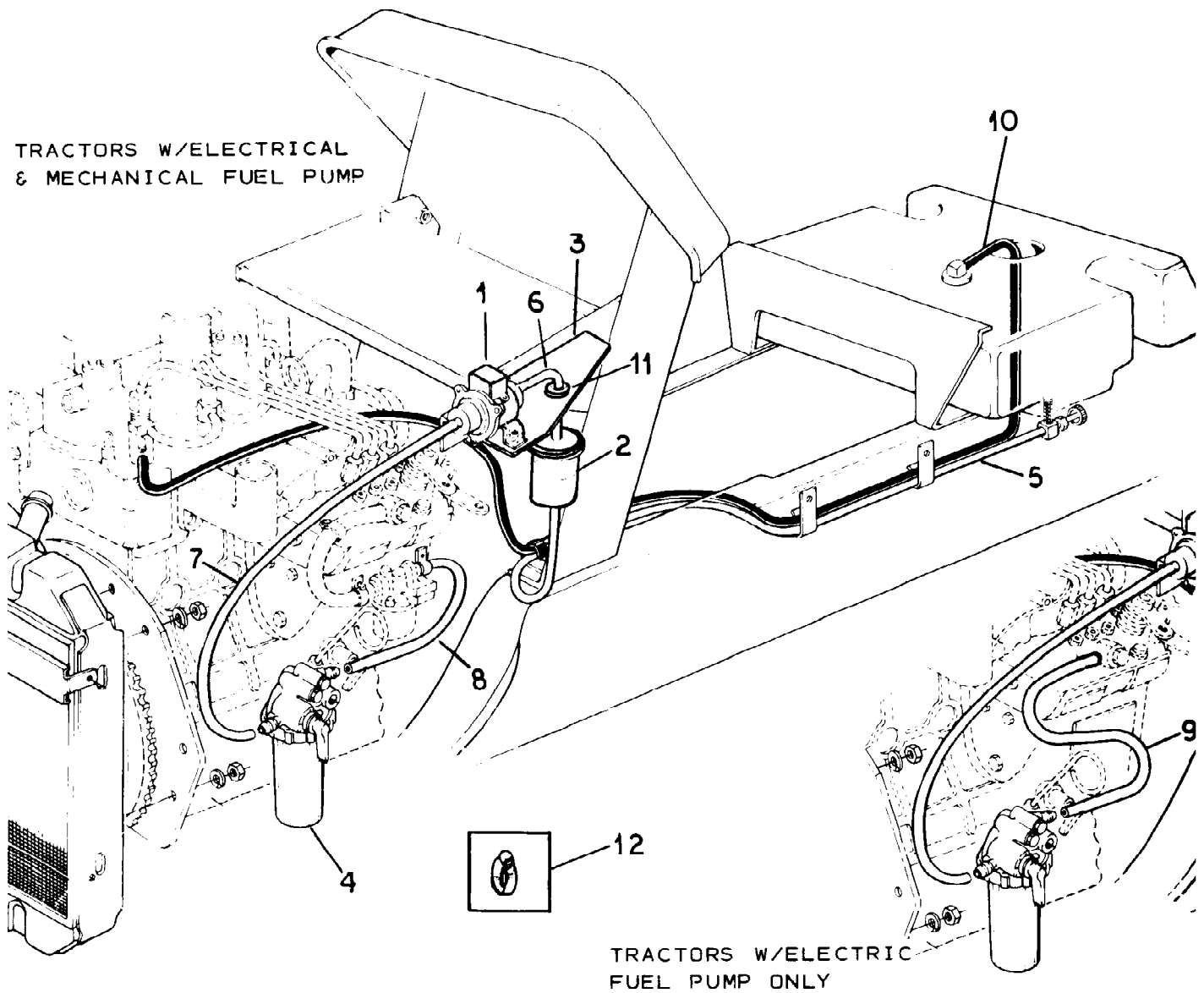




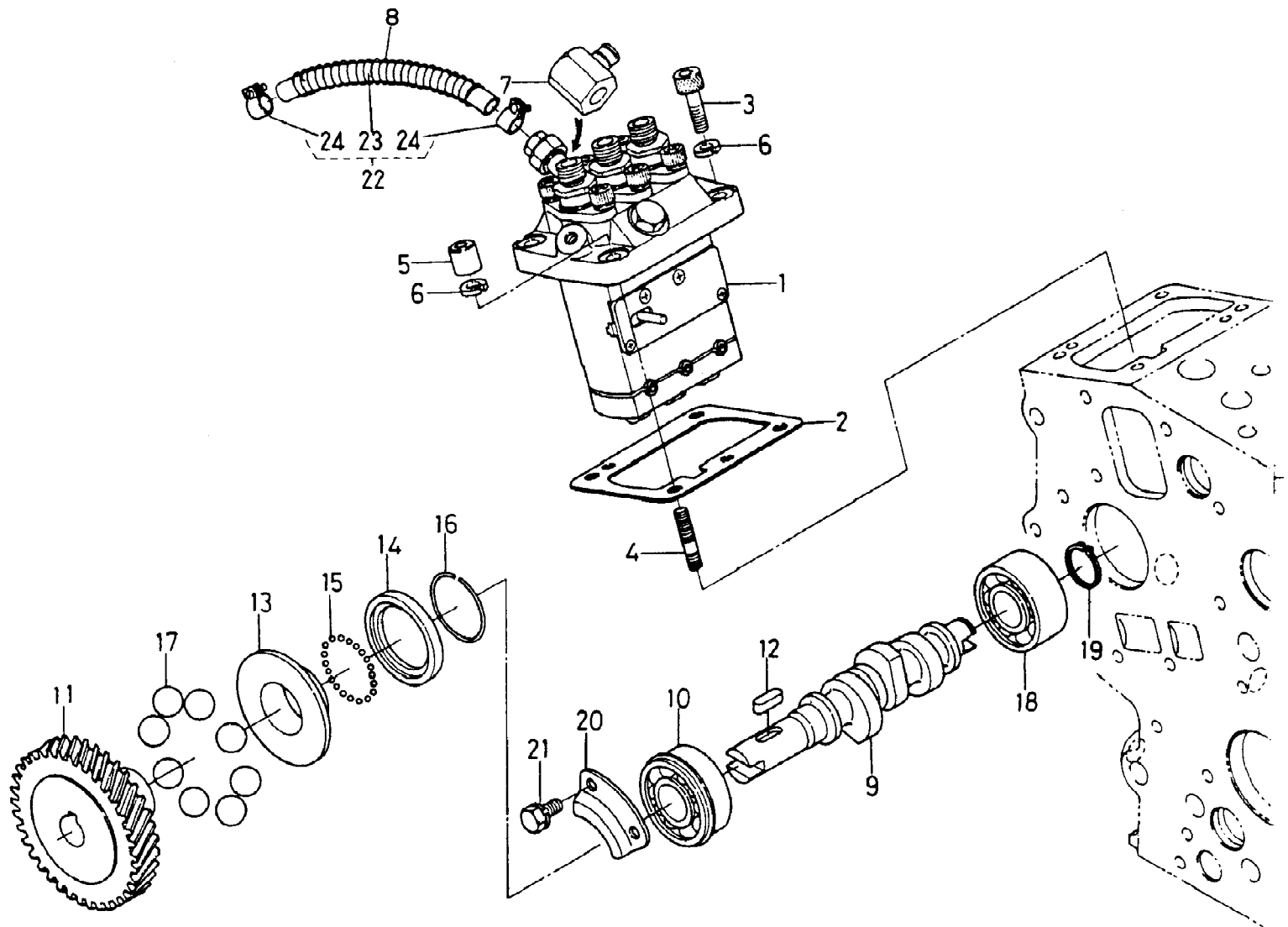
1512, 882, 782-Diesel  
Fuel Filter Components

Page 54 of 135

Ref #	Part Number	Qty	S/P/F	Description
	KB-19204-43010	1	S	Filter Assy, Fuel
1	KB-66706-58310	1		Label, Fuel Filter
2		1		Not Serviced Separately (Order Complete Assy)
3	KB-14301-43522	1	/P	Lever, Cock
4		1		Not Serviced Separately (Order Complete Assy)
5	KB-14301-43820	1	/P	Spring, Valve
6	KB-14301-43830	1		Screw, Lever
7	KB-14301-43840	1		O-Ring, Lever
8	KB-19164-43070	1	S	Cup, Filter
9	KB-14301-43590	1		Ring
10	KB-14301-43650	1	S	O-Ring, Filter Cup
11	KB-15231-43560	1	/P	Element
12	KB-04811-00100	1	/P	O-Ring, 10 X 13.6MM
13	KB-15231-43283	2	/P	Plug, Breather
14	KB-04810-00060	2	/P	O-Ring



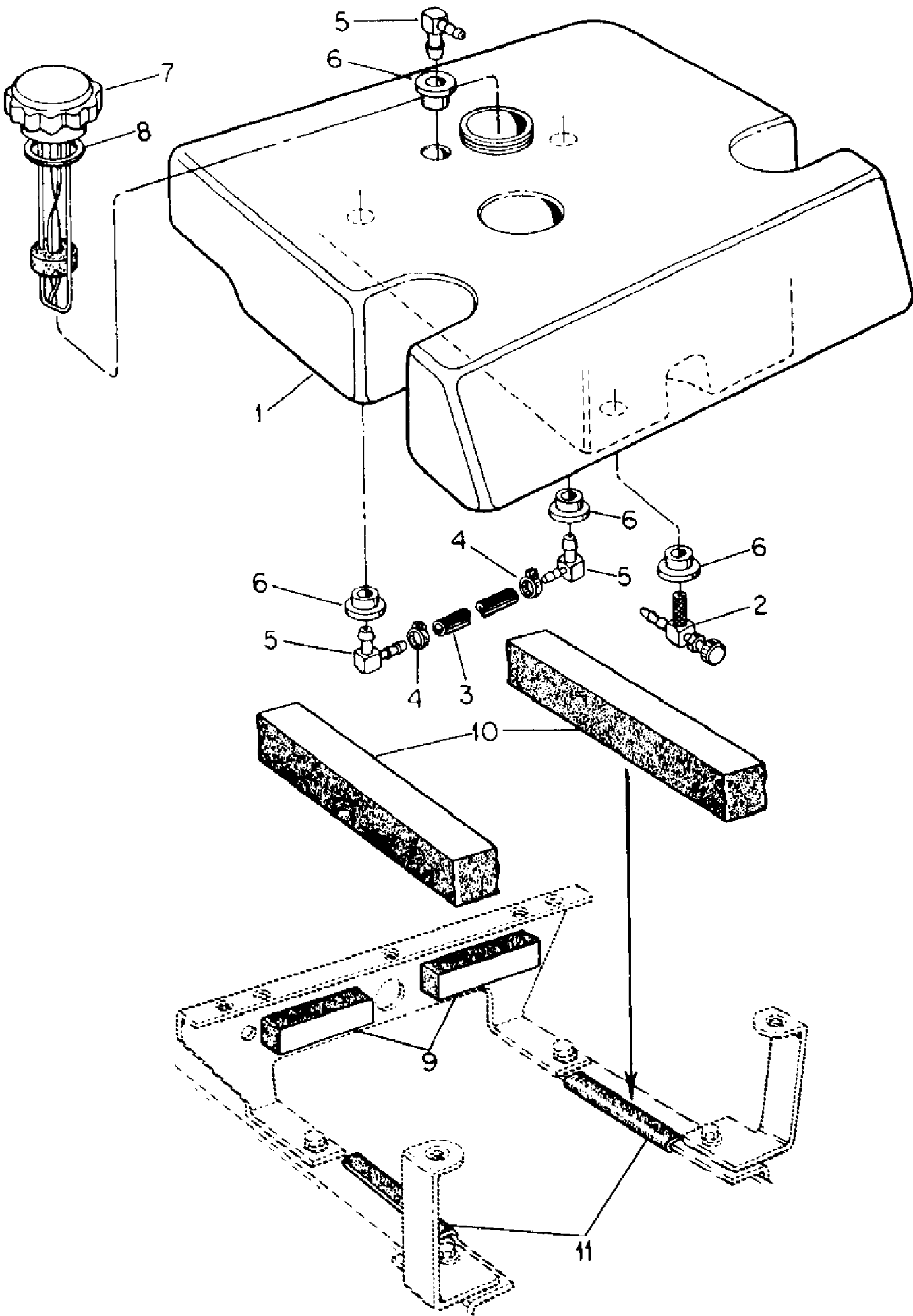
Ref #	Part Number	Qty	S/P/F	Description
1	KB-68371-51210	1	/P	Pump, Fuel, Electric
	710-0751	1	/P	Bolt, 1/4 X 5/8 Type 5
	736-3006	1	/P	Washer, 1/4 Ext-Int Tooth Lock
	736-0329	1	S	Washer, 1/4 Lock
	712-3006	1	/P	Nut, 1/4 Type 5
	710-3100	1		Bolt, 5/16 X 5/8 Type 5
	736-0119	1	S	Washer, 5/16 Lock
	712-0267	1	S	Nut, 5/16 Type 5
2	KB-13351-43010	1	S	Filter, Fuel, Pre-Filter
3	703-1080	1		Support, Fuel Pump
	710-0751	2	/P	Bolt, 1/4 X 5/8 Type 5
	736-0329	2	S	Washer, 1/4 Lock
4	KB-19204-43010	1	S	Filter, Fuel
5		1		Hose, Fuel Tank to Pre-Filter (Furnish 980MM of Hose); Fuel Hoses are 1/2 OD and furnished from bulk roll marked 759-3330, 10 ft lg
6		1		Hose, Fuel Pre-Filter to Electric Pump (Furnish 115MM of Hose); Fuel Hoses are 1/2 OD and furnished from bulk roll marked 759-3330, 10 ft lg
7		1		Hose, Fuel-Electric Pump to Fuel Filter (Furnish 410MM of Hose); Fuel Hoses are 1/2 OD and furnished from bulk roll marked 759-3330, 10 ft lg
8		1		Hose, Fuel-Filter to Mechanical Pump (Furnish 255MM of Hose); Fuel Hoses are 1/2 OD and furnished from bulk roll marked 759-3330, 10 ft lg
9		1		Hose, Fuel Filter to Injection Pump (For Tractors w/o Mechanical Pump); (Furnish 205MM of Hose); Fuel Hoses are 1/2 OD and furnished from bulk roll marked 759-3330, 10 ft lg
10		1		Hose, Fuel-Engine to Tank Return (Furnish 1700MM of Hose); Fuel Hoses are 1/2 OD and furnished from bulk roll marked 759-3330, 10 ft lg
11	723-3041	1		Grommet
12	726-0146	7	/P	Clamp, Hose
	IH-223330-C1	1	S	Clamp, Hose (Return Line at Fuel Tank)



1512, 882, 782-Diesel  
Fuel Injection Pump & Camshaft

Page 58 of 135

Ref #	Part Number	Qty	S/P/F	Description
1	KB-15861-51010	1		Pump, Injection
2	KB-15861-52110	5	S	Shim, Injection Pump
3	KB-01311-10620	2		Screw, M6 X 20 Pln H/Shd Cap
4	KB-15841-91500	2		Stud
5	KB-15841-92320	2		Nut, Cap
6	KB-04512-50060	4	S	Washer, 6MM Lock
7	KB-15841-95680	1		Fitting
8	KB-15841-42440	1		Spring
9	KB-15861-16170	1		Camshaft, Fuel Injection
10	KB-08153-06203	1	/P	Bearing, Ball
11	KB-15841-51150	1		Gear, Injection Pump
12	KB-05712-00515	1		Key
13	KB-15841-55450	1		Sleeve, Governor
14	KB-15841-55690	1		Case, Governor Ball
15	KB-07715-00801	32		Ball, 1/8
16	KB-15261-55470	1		Ring, Governor Sleeve Ret
17	KB-07715-03217	8		Ball, 17/32
18	KB-08103-06203	1		Bearing, Ball
19	KB-04612-00170	1		Ring, 15.34 MM Ext Ret
20	KB-15841-16320	1		Stop, Fuel Camshaft
21	KB-01023-50620	2		Bolt, M6 X 12 Class 8.8
	KB-04512-50060	2	S	Washer, 6MM Lock
22	KB-15841-42010	1		Pipe Assy, Fuel
23	KB-15841-42110	1		Pipe, Fuel
24	726-0146	2	/P	Clamp
	KB-15861-16020	1		Camshaft Assy, Fuel Injection (Includes Ref No. 9 thru 17)

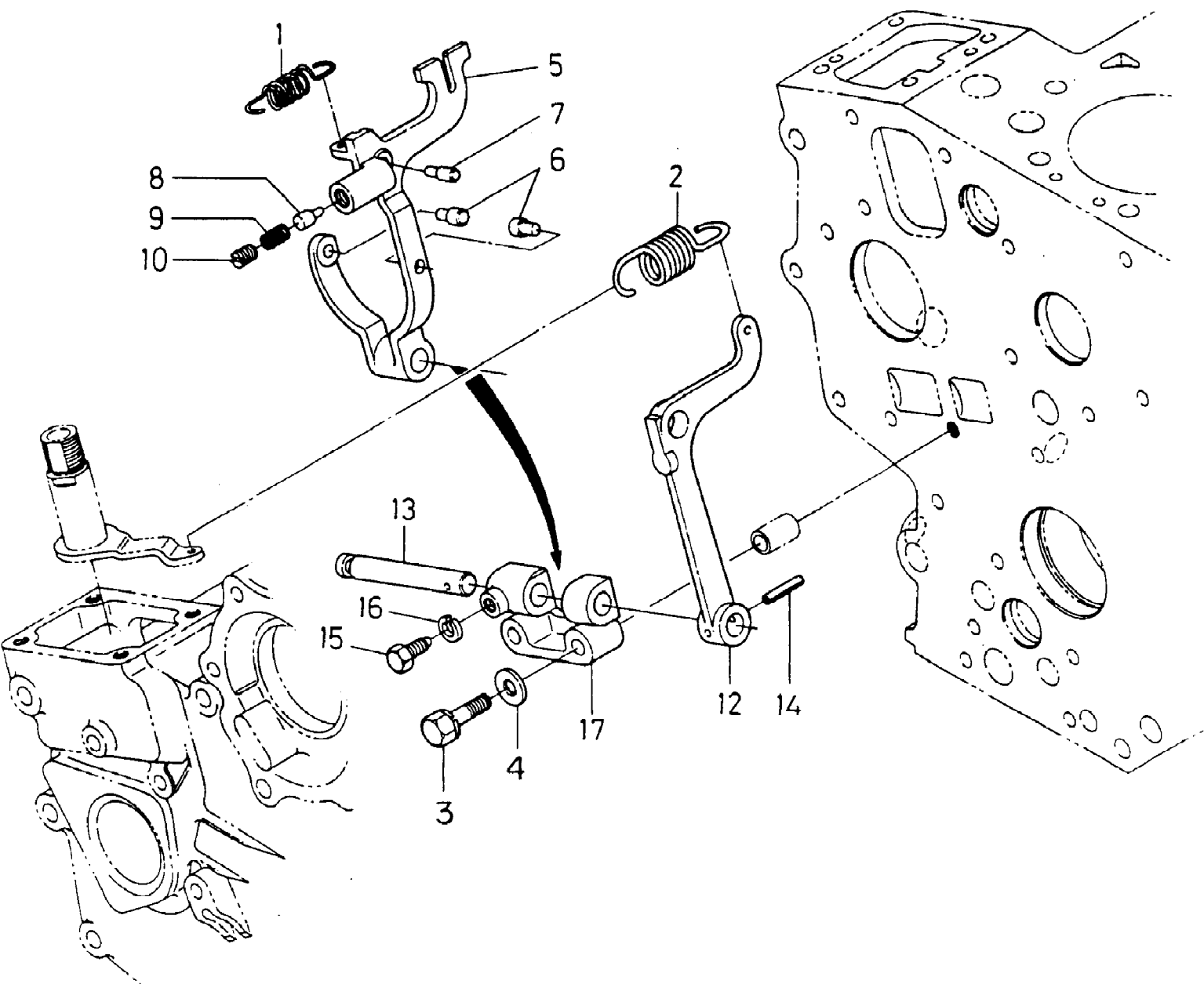


1512, 882, 782-Diesel  
Fuel Tank

Page 60 of 135

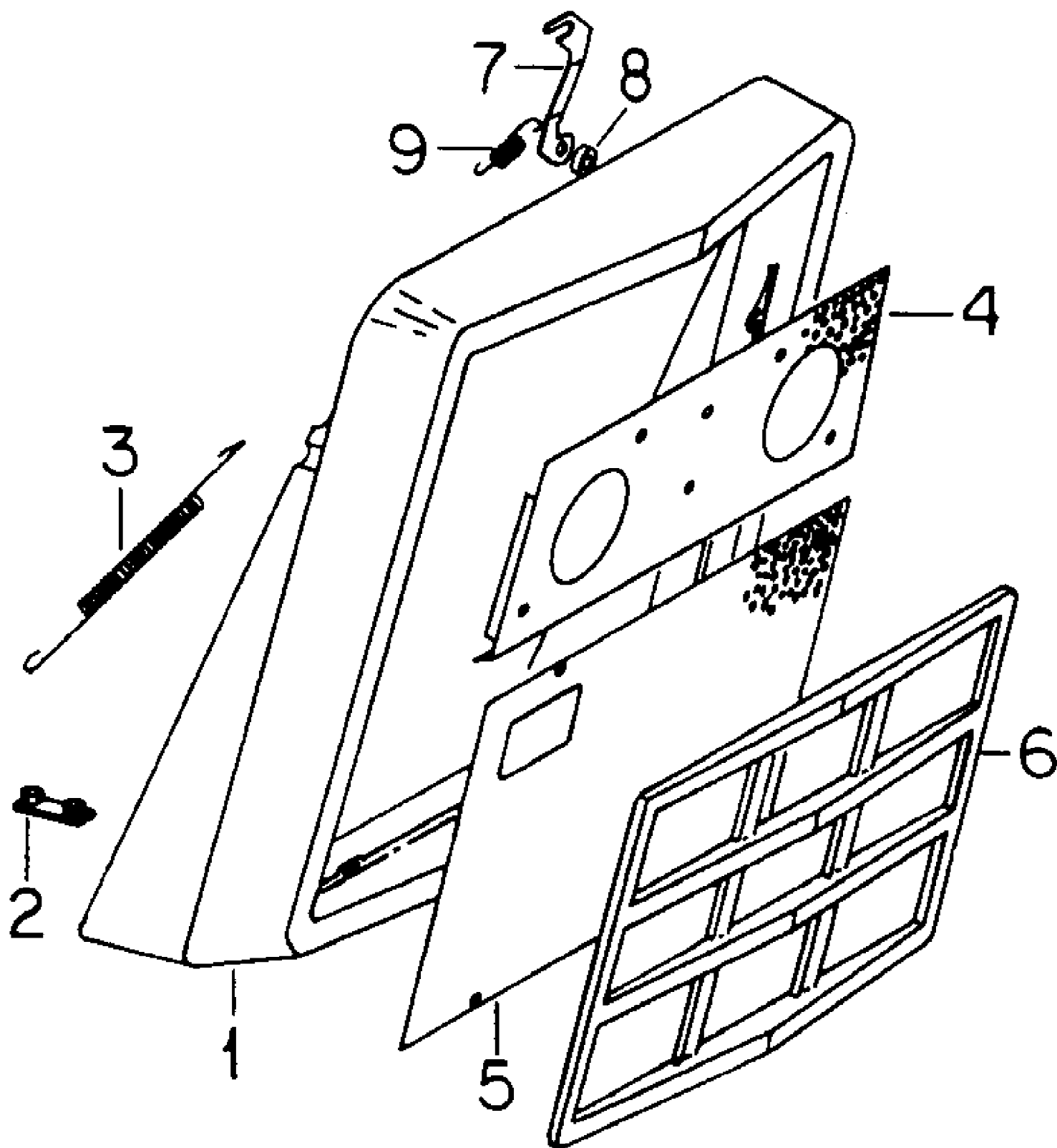
Ref #	Part Number	Qty	S/P/F	Description
1	703-1010	1		Tank Assy, Fuel (Includes Ref No. 2 thru 6)
2	751-0171	1	S	Valve, Shut-Off
3		1		Line, Fuel (Furnish 125MM of 1/2 OD tubing from bulk roll marked 759-3330)
4	IH-223330-C1	2	S	Clamp
5	751-3054	3		Fitting, Fuel Tank
6	751-3008	4	S	Bushings
7	751-3044	1	/P	Cap, Fuel Tank
8	723-3003	1	/P	Gasket, Fuel Tank Cap
9	723-3051	2		Strip, Foam Gasket Sealing, 3 Inches Lg
10	703-1348	2		Strip, Foam Gasket Sealing, 5 Inches Lg
11	703-1368	2		Strip, Trim, 4 Inches Lg





1512, 882, 782-Diesel  
Governor

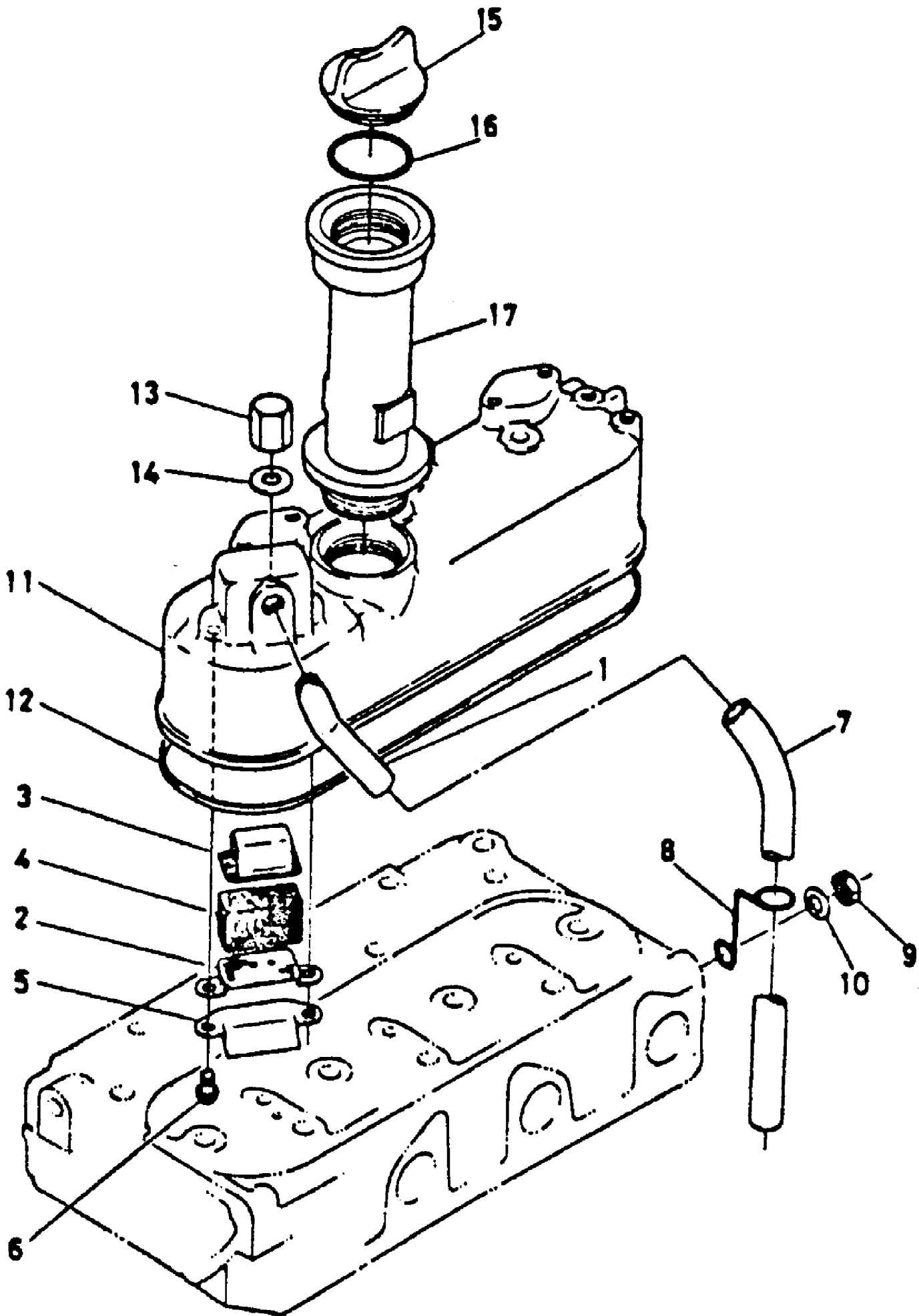
Ref #	Part Number	Qty	S/P/F	Description
1	KB-15841-56480	1		Spring, Start
2	KB-15841-56410	1		Spring, Governor
3	KB-01023-50635	2		Bolt, M6 X 35MM Class 8.8
	KB-04512-50060	2	S	Washer, 6MM Lock
4	KB-04012-50060	2		Washer, 6.4 X 12.5 X 1.6MM
5	KB-19461-56040	1	/P	Fork, Lever (Includes Ref No. 6 thru 10)
6		1		Not Serviced Separately
7		1		Not Serviced Separately
8		1		Not Serviced Separately
9		1		Not Serviced Separately
10		1		Not Serviced Separately
12	KB-15841-56060	1		Lever Assy, Fork (Includes Ref No. 13 & 14)
13	KB-15841-56150	1		Shaft, Fork Lever
14	KB-05411-00318	1		Pin, 3 X 10MM PIn Slit-Spr
15	KB-15261-66410	1		Bolt
16	KB-04512-50050	1		Washer, 5MM Lock
17	KB-15841-56230	1		Holder, Fork Lever
	KB-19461-56050	1		Fork & Lever Assy (Includes Ref No. 5 thru 17)



1512, 882, 782-Diesel  
Grille

Page 64 of 135

Ref #	Part Number	Qty	S/P/F	Description
1	719-3002	1		Housing, Grille
2	703-0008	2	/P	Retainer Assy, Grille Housing
	710-0376	4	/P	Bolt, 5/16 X 1 Type 5
	736-0119	4	S	Washer, 5/16 Lock
3	732-3001	2	S	Spring
4	703-0165	1		Screen, Upper Grille
5		1		Not used in this application
6	719-3003	1		Grille (Replaces IH-140198-C1)
7	703-0010	1	/P	Latch, Hood
	736-0275	1	S	Washer, .344 X .688 X .051
	710-3004	1	S	Screw, 5/16 X 3/4 H/Hd Tap
8	750-3000	1		Spacer, Hood Latch
9	732-3002	1	S	Spring

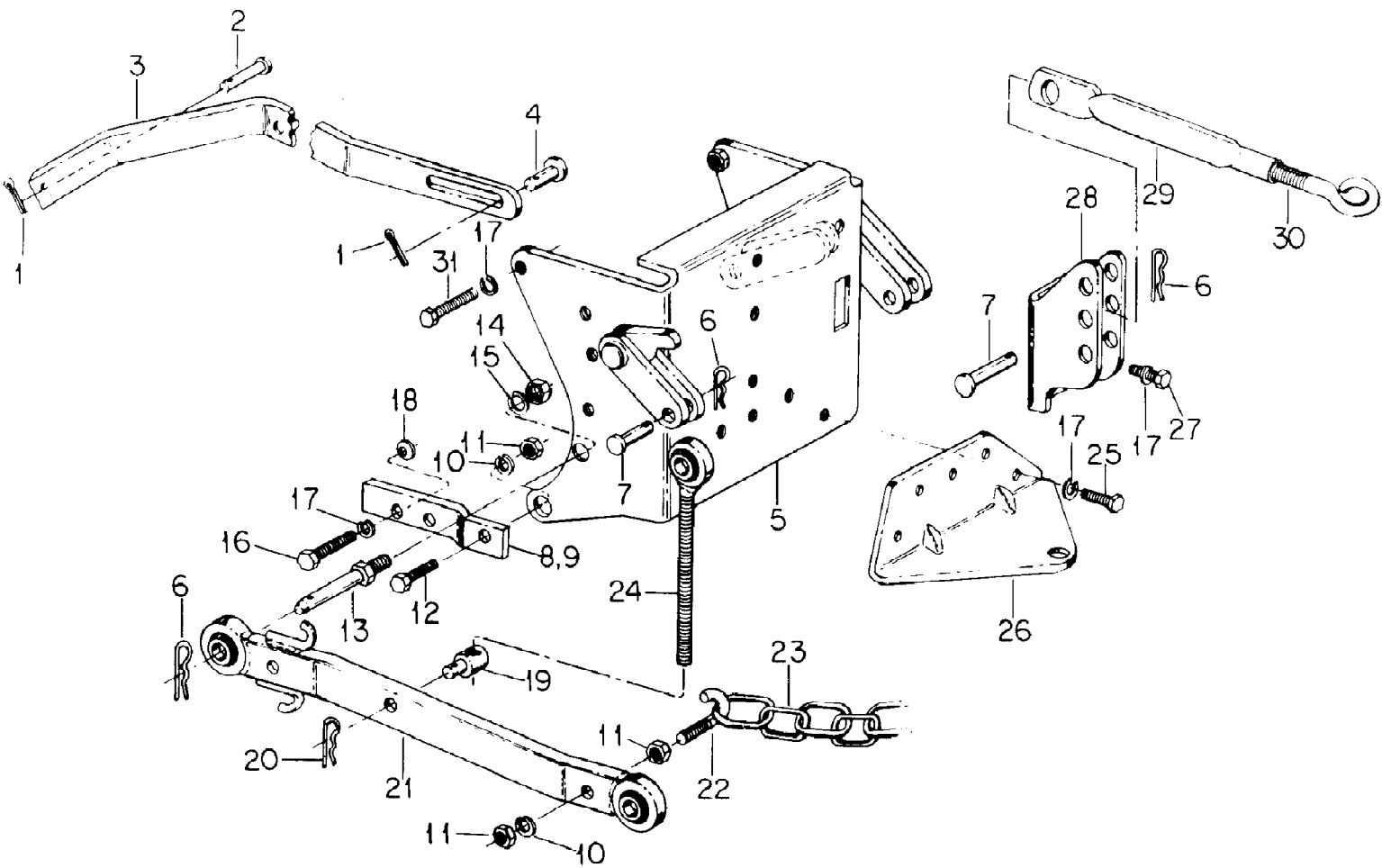


1512, 882, 782-Diesel  
Head Cover

Page 66 of 135

Ref #	Part Number	Qty	S/P/F	Description
1	KB-15841-05550	1		Joint, Breather Pipe
2	KB-15841-05140	1		Plate, Breather Element 1
3	KB-15841-05150	1		Plate, Breather Element 2
4	KB-15841-05670	1		Element, Breather
5	KB-15841-05370	1		Shield, Breather Oil
6	KB-03024-50510	2		Screw, M5 X 10MM Class 4.8 P/Hdcr
	IH-30264-R1	2		Washer, 5 MM Lock
7	KB-15841-05510	1		Tube, Breather
8	KB-15841-05590	1		Clamp, Pipe
9	KB-02114-50080	1	/P	Nut, M8 Class 8
10	KB-04013-50080	1	/P	Washer, 8.8 X 17 X 1.6MM
11	KB-15861-14510	1		Cover, Head
12	KB-15841-14520	1		Gasket, Head Cover
13	KB-15841-14620	3		Nut, Cap
14	KB-15601-96650	3	/P	Washer
15	KB-15221-33142	1	S	Plug, Filler
16	KB-04811-50300	2	/P	O-Ring
17	KB-15224-33110	1		Extension, Oil Fill

1512, 882, 782-Diesel  
Hitch, Category "o" Three Point

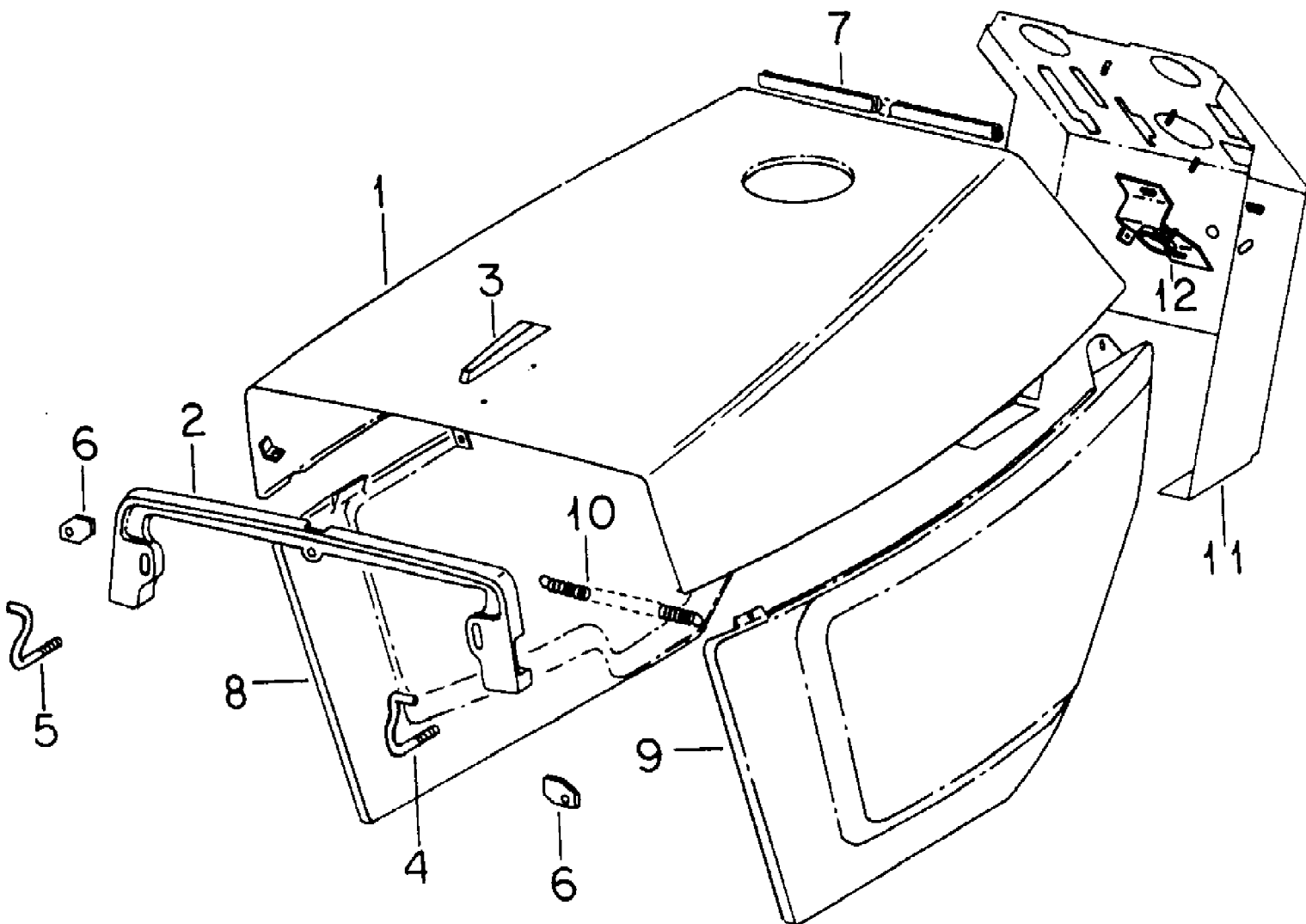


1512, 882, 782-Diesel  
Hitch, Category "o" Three Point

Page 68 of 135

Ref #	Part Number	Qty	S/P/F	Description
1	714-0115	2	S	Pin, 1/8 X 1 Cot
2	711-3081	1	S	Pin, 1/2 X 2.562 Pln Clevis
3	703-0811	1	/P	Bar, Lift
4	711-3120	1		Pin, Clevis
5	703-0808	1		Plate Assy, Three Point Hitch
6	714-0117	2	/P	Pin, QA
7	711-0174	4	/P	Pin, 5/8 X 2.000 Pln Clevis
8	703-0807	1	S	Strap, Mounting, LH
9	703-0806	1		Strap, Mounting, RH
10	736-0171	4	S	Washer, 7/16 Lock
11	712-0290	6	/P	Nut, 7/16 Cad P/T Lock Type 5
12	710-0505	2	/P	Bolt, 7/16 X 1 Type 5
13	711-0497	2	/P	Link, Clevis Pin
14	712-0923	2	/P	Nut, 5/8 Cad P/T Lock Type 5
15	736-0158	2	S	Washer, 5/8 Lock
16	710-3116	4	/P	Bolt, 3/8 X 2-1/2 Type 5
17	736-0169	13	S	Washer, 3/8 Lock
18	736-0213	4	/P	Washer, Belleville, 3/8 ID
19	711-3122	2	/P	Ferrule, Adjustment
20	714-0117	7	/P	Pin, QA
21	703-0815	2		Bar Assy, Draft
22	711-0639	2	/P	Hook, Hitch Chain
23	713-0148	2		Chain, Limiter
24	703-0814	2		Link Assy, Adjustable Lift
25	710-0514	5	/P	Bolt, 3/8 X 1 Type 5
26	703-0904	1	S	Drawbar, Fixed
27	IH-24840-R1	2		Bolt, 3/8 X 7/8 Type 5
28	13026	1	S	Bracket, Hitch Upper Link
29	749-0238	1	S	Tube
30	711-0636	1	/P	Screw, Clevis
31	710-3000	7	S	Bolt, 3/8 X 3/4 Type 5

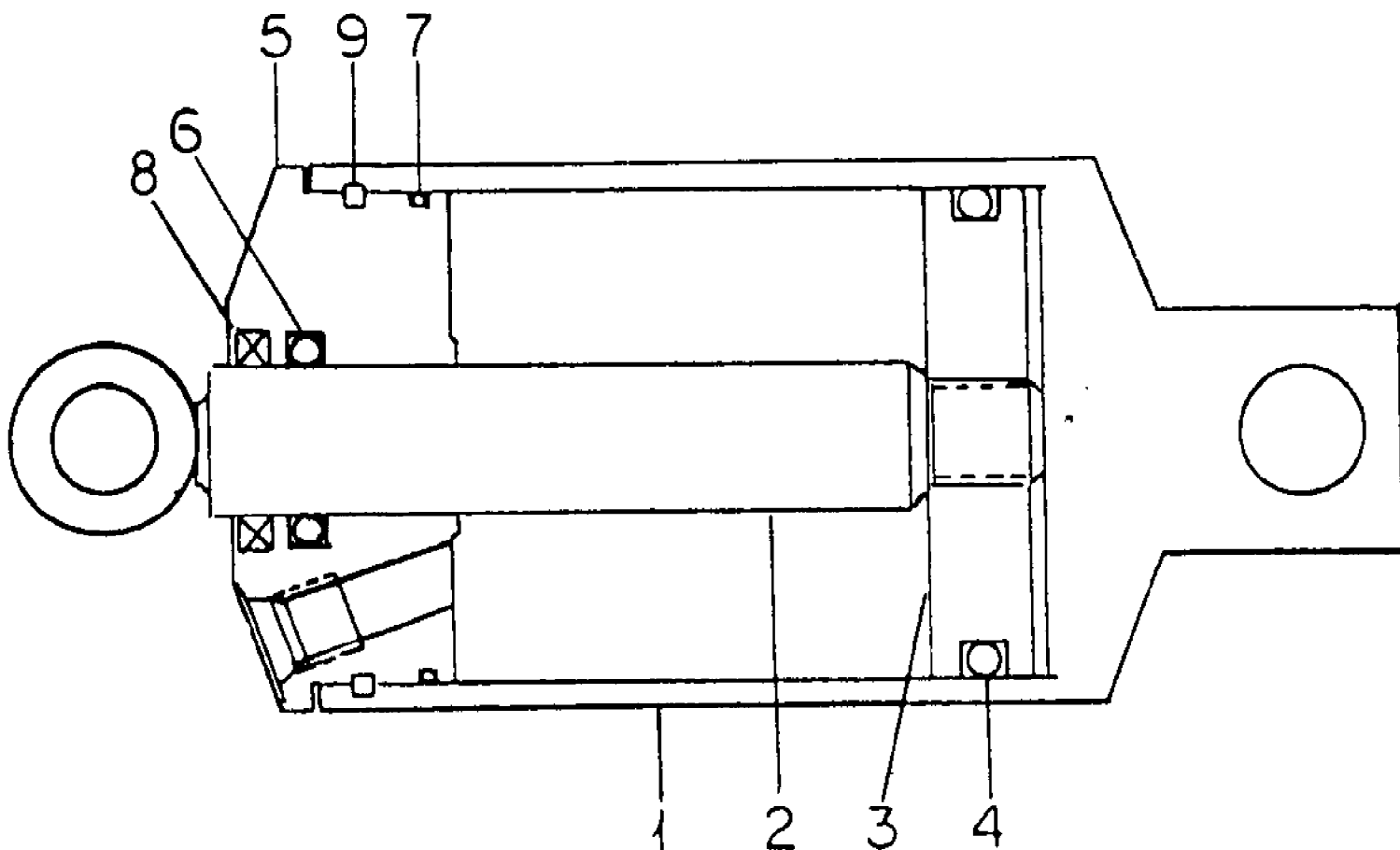




1512, 882, 782-Diesel  
Hood & Side Panels

Page 70 of 135

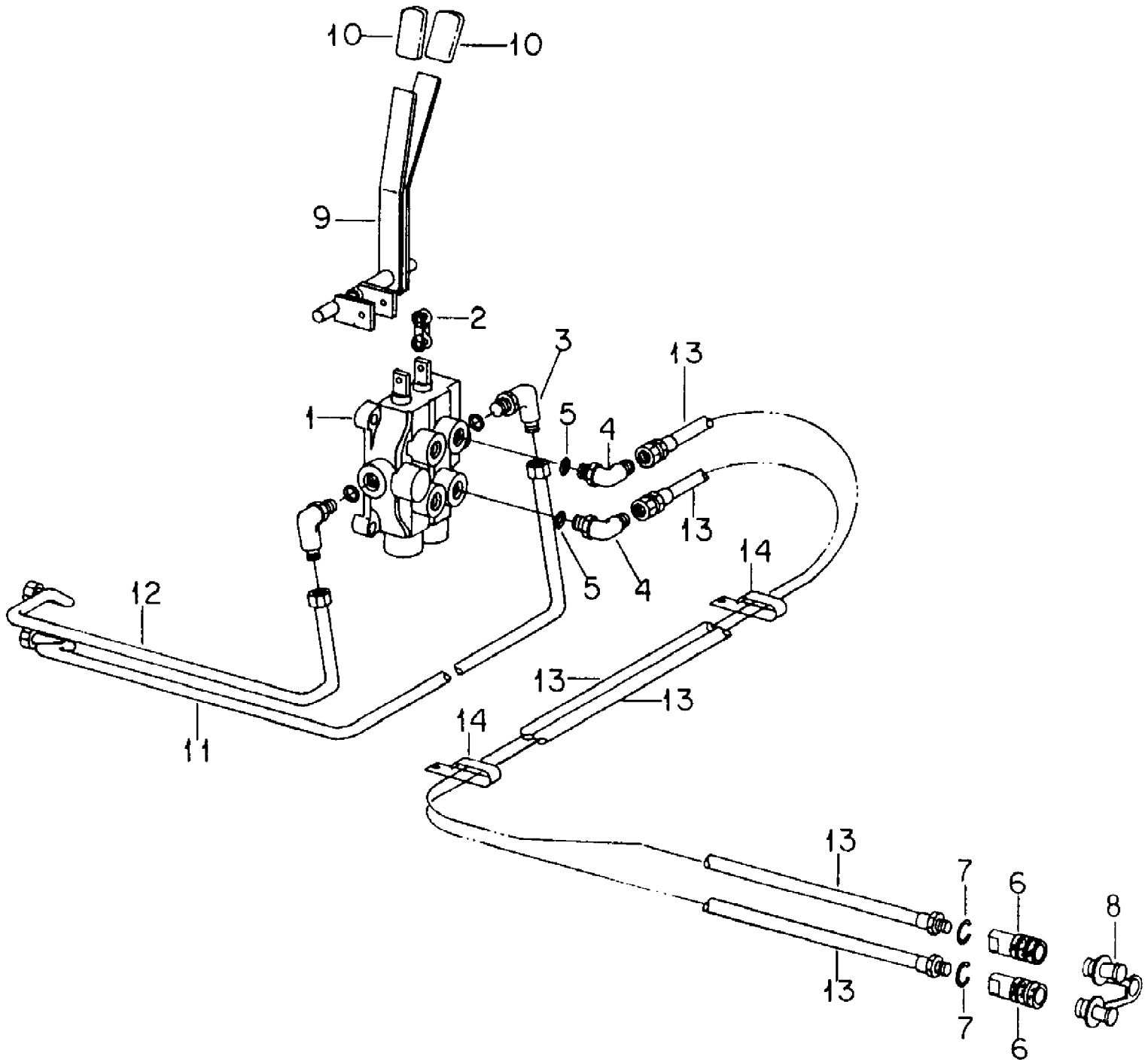
Ref #	Part Number	Qty	S/P/F	Description
1	703-0947	1		Hood Assy
	736-3006	2	/P	Washer, 1/4 Ext Int Tooth Lock
	736-0463	2	S	Washer, .281 X .625 X .051
	710-3015	1	/P	Bolt, 1/4 X 3/4 Type 5
	712-3006	1	/P	Nut, 1/4 Type 5
	710-0578	2	/P	Screw, 1/4 X 1-1/2 Znp P/Hdcr Mach
2	719-3005	1		Support, Hood
3	731-3059	1		Ornament, Hood
	710-3016	2		Screw, No. 8-18 X 1/4 P/Hdcr Tap
4	747-3009	1	/P	Hinge, LH Hood
5	747-3010	1	S	Hinge, RH Hood
6	703-0063	2	/P	Plate, Hood Hinge
	710-3004	2	S	Screw, 5/16 X 3/4 H/Hd Tap
	736-0140	4	S	Washer, .406 X .812 X .051
	712-0342	4	/P	Nut, 3/8 Jam Type 5
7	731-3003	1	S	Seal, Edge
8	703-1077	1		Panel, RH Side
9	703-0081B	1	S	Panel, LH Side
	736-0463	2	S	Washer, .281 X .625 X .051
	712-3044	2		Nut, 1/4 Wing
10	732-3006	1	S	Spring, Side Panel
11	703-1008	1		Pedestal Assy
	710-0107	3	/P	Bolt, 5/16-NF X 1/2 Type 5
	710-0118	4	S	Bolt, 5/16 X 3/4 Type 5
12	703-0260	1		Support Assy, Steering Column (Replaces 703-0048)
	736-0463	2	S	Washer, .281 X .625 X .051
	712-3006	3	/P	Nut, 1/4 Type 5
	710-3042	1		Bolt, 1/4 X 1 Crg Type 5



1512, 882, 782-Diesel  
Hydraulic Cylinder-Cessna

Page 72 of 135

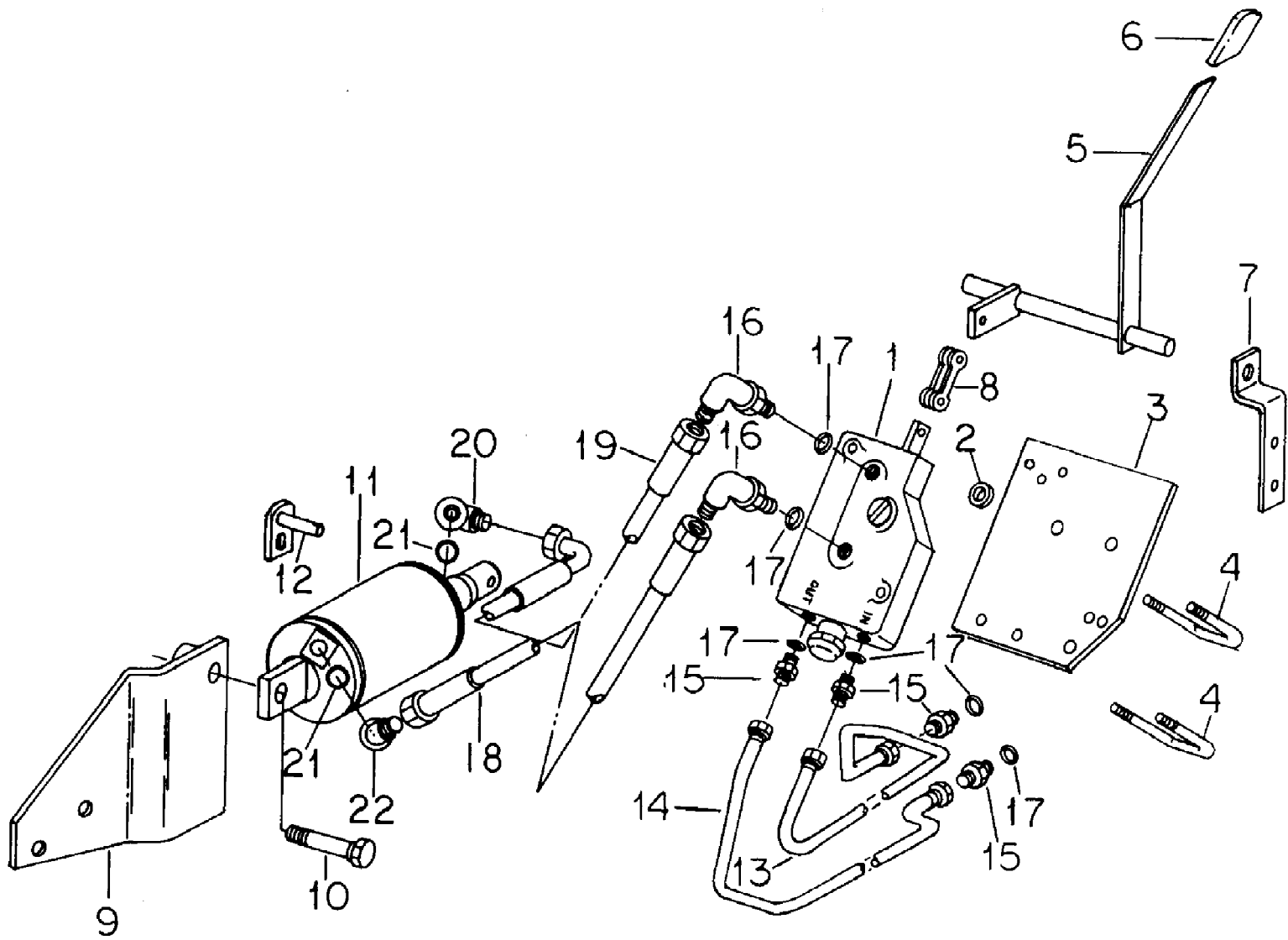
Ref #	Part Number	Qty	S/P/F	Description
	IH-145448-C91	1	S	Cylinder Assy, Hydraulic Lift 2.50 X 2.35 (Order Complete Cylinder Part No. 717-3005)
1		1		Body, Hydraulic Cylinder (Order Cylinder Assy)
2		1		Rod Assy, Hyd Cyl Piston (Order Complete Cylinder Part No. 717-3005)
3		1		End, Hydraulic Cylinder Piston Rod (Order Complete Cylinder Part No. 717-3005)
4		1		O-Ring, 3/16 X 2-1/8 ID (Order Complete Cylinder Part No. 717-3005)
5		1		End, Hydraulic Cylinder Front
6		1		O-Ring, 1/8 X 3/4 ID (Order Complete Cylinder Part No. 717-3005)
7		1		O-Ring, 3/32 X 2-5/16 ID (Order Complete Cylinder Part No. 717-3005)
8		1		Seal, Wiper (Order Complete Cylinder Part No. 717-3005)
9		1		Ring, Lock (Order Complete Cylinder Part No. 717-3005)



1512, 882, 782-Diesel  
Hydraulic Front Outlet Unit

Page 74 of 135

Ref #	Part Number	Qty	S/P/F	Description
1	717-3025	1	/P	Valve Assy, Control
	712-3006	3	/P	Nut, 1/4 Type 5
	710-0606	3	/P	Bolt, 1/4 X 1-1/2 Type 1
	750-3008	2		Spacer, .375 X .405 X .269 Std Pipe
2	713-3000	1	S	Link, Chain
3	727-3012	2	/P	Elbow, 90 Deg Tube
4	727-3003	2		Elbow, 90 Deg Tube
5	721-3001	4	/P	O-Ring, 3/8 OD Tube
6	727-3014	2	/P	Body, Hydraulic Coupling
7	716-3014	2		Ring, External Retaining
8	731-3022	2	/P	Plug, Protective
	714-3014	1		Pin, 3/16 X 3/4 Pln Cot
9	703-0455	1		Handle Assy, Valve
10	720-3004	1		Grip
11	727-3015	1	/P	Tube Assy, Pressure
12	727-3016	1	/P	Tube Assy, Return
	735-3007	1	S	Pad, Bumper
	726-3011	1		Strap, Cable Lock
13	727-3017	2		Hose, Pressure Supply
	726-3011	2		Strap, Cable Tie
14		1		Not used in this application
	759-3434	1		Kit, Seal
	759-3435	1		Kit, Spring Centering (Also order four O-Rings IH-350429-R1)

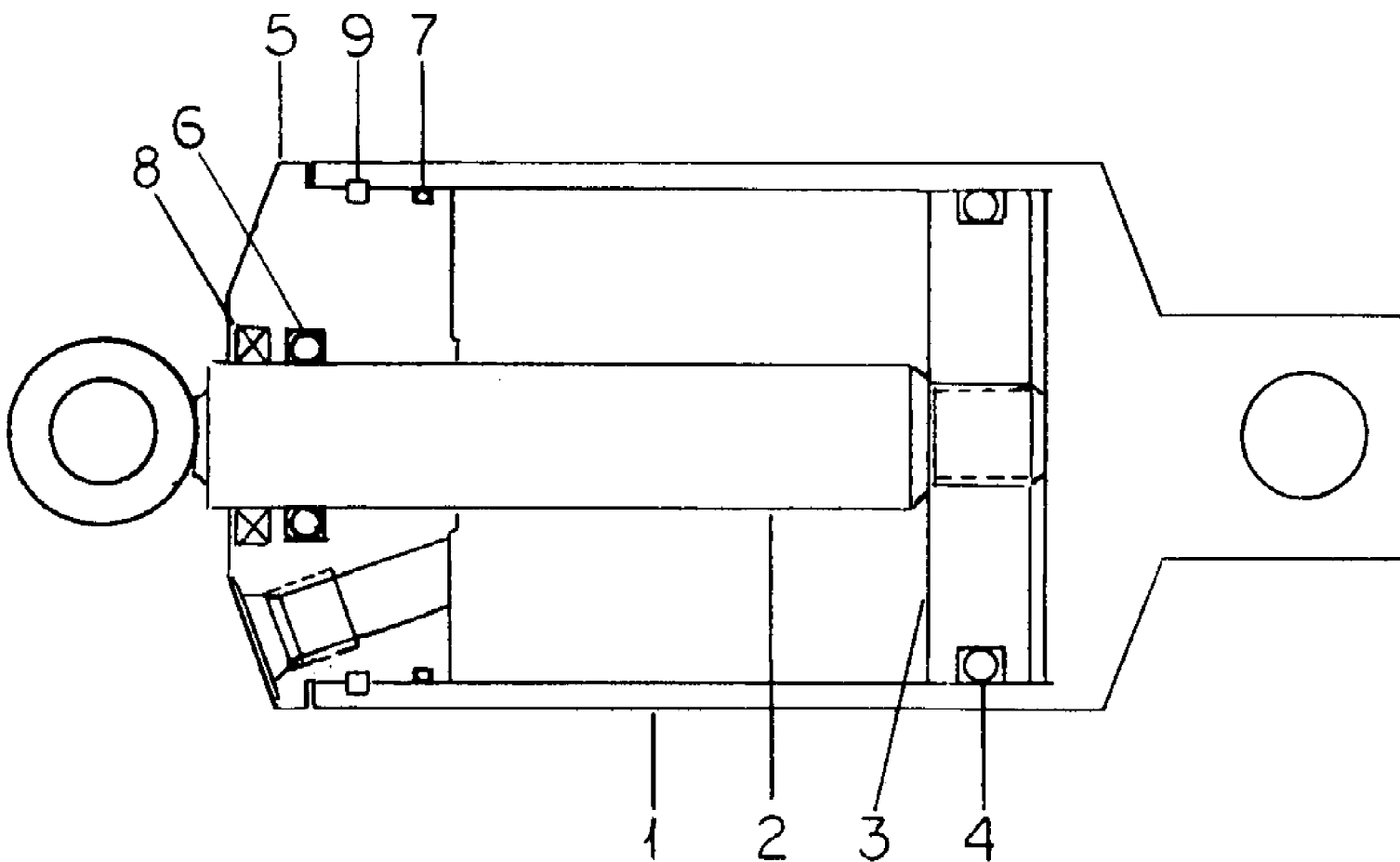


1512, 882, 782-Diesel  
Hydraulic Lift

Page 76 of 135

Ref #	Part Number	Qty	S/P/F	Description
1	717-3004	1		Valve Assy, Control
2	750-3008	2		Spacer, 1/8 X .375 Std Pipe
3	703-0170	1		Plate, Valve Support
4	747-3016	2		Clamp
	712-0237	4	S	Nut, 5/16-NF Cad P/T Lock Type 5
	710-0641	2	/P	Bolt, 1/4 X 2-1/4 Type 1
	712-3006	2	/P	Nut, 1/4 Type 5
5	703-0171	1		Handle Assy, Valve
6	720-3004	1		Grip
7	703-0186	1		Support, Valve Handle
	710-3013	2	/P	Bolt, 1/4 X 1/2 Type 5
	712-3006	2	/P	Nut, 1/4 Type 5
8	713-3000	1	S	Link, Chain
9	703-0174	1		Bracket Assy, Cylinder
10	738-3008	1		Bolt, Shoulder
	736-0272	3	S	Washer, .531 X 1.062 X .134 Hdn
	710-3032	2	/P	Bolt, 1/2 X 1-1/4 Type 5
	IH-9413967	3		Nut, 1/2 Cad P/T Lock Type 5
11	717-3005	1	/P	Cylinder Assy, Hyd
12	703-0176	1	/P	Pin Assy, Lift
	714-0507	2	S	Pin, 3/32 X 3/4 Pln Cot
13	727-3000	1	/P	Tube Assy, Pressure
14	727-3001	1	/P	Tube Assy, Return
15	727-3002	4	S	Connector, 37 Deg Flared Swivel Tube
16	727-3003	2		Elbow, 3/8 to 1/4 Reducer
17	721-3001	6	/P	O-Ring, 3/8 OD Tube
18	727-3031	1	/P	Hose, Extending
19	727-3005	1		Hose, Retracting
20	727-3006	1	/P	Elbow, 90 Deg Tube
21	721-3002	2	/P	O-Ring, 1/4 OD Tube
22	727-3007	1	/P	Elbow, 45 Deg Tube

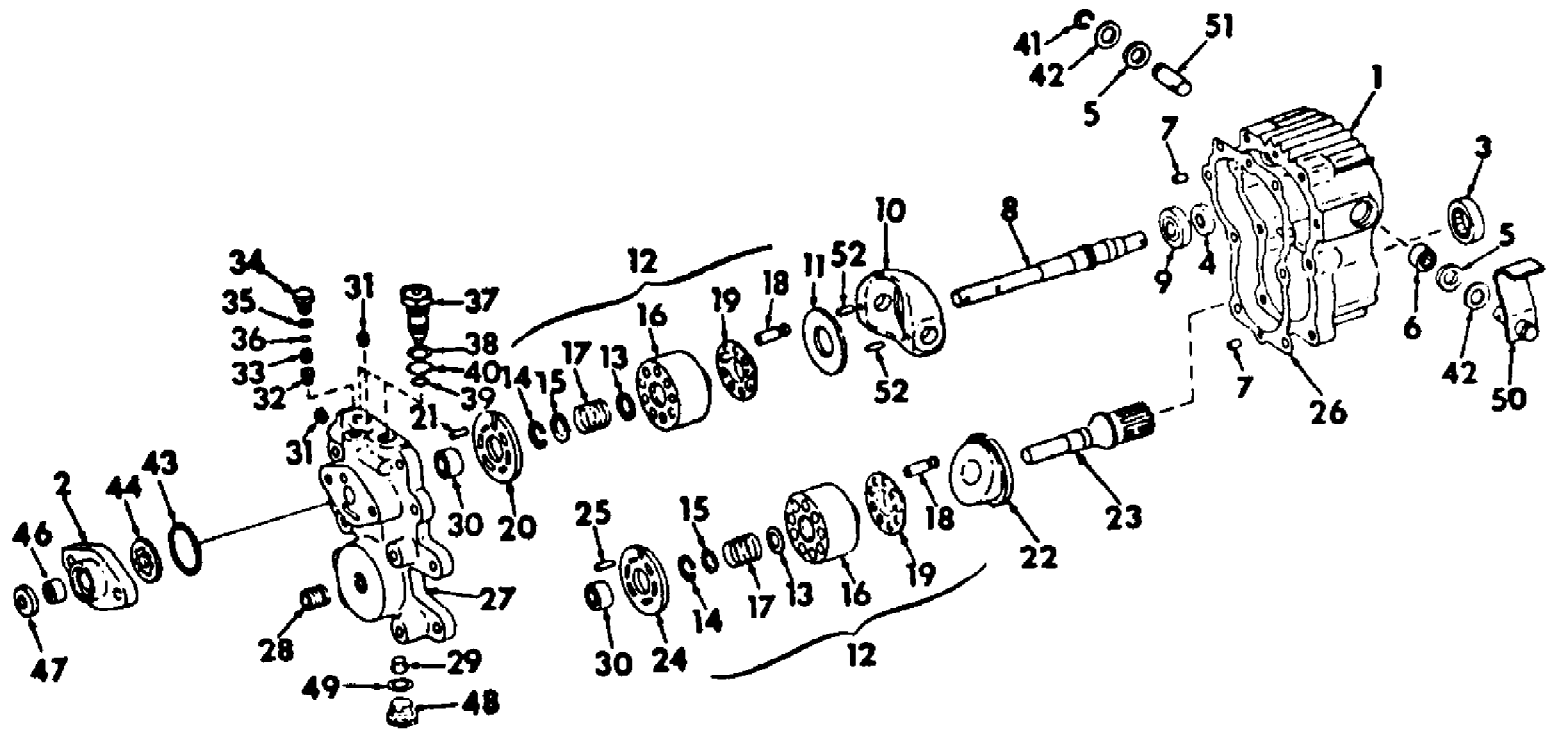




1512, 882, 782-Diesel  
Hydraulic Lift Cylinder

Page 78 of 135

Ref #	Part Number	Qty	S/P/F	Description
	IH-224494-C91	1	S/F	Cylinder Assy, Hydraulic 63.40 X 59.7 (Includes Ref No. 1 thru 9)
1	IH-138160-C1	1		Body Assy, Hyd Cyl
2		1		Rod Assy, Hydraulic Cylinder Piston (Order Complete Cylinder Part No. 717-3005)
	IH-71327-R1	1		Bushing, Hyd Cylinder Piston Rod End
3	IH-224498-C1	1		Piston, Hyd Cylinder
4		1		O-Ring, 2-1/8 X 2-1/2 X 3/16, Hyd Cyl Piston (Order Kit 759-3431)
5	IH-138162-C1	1		Head, Hyd Cyl Front
6		1		O-Ring, 3/4 X 1 X 1/8, Hyd Cyl Piston Rod (Order Kit 759-3431)
7		1		O-Ring, 2-5/16 X 2-1/2 X 3/32 Hyd Cyl Front Head (Order Kit 759-3431)
8		1		Seal, Hyd Cyl Piston Rod Wiper (Order Kit 759-3431)
9		1		Retainer, Hyd Cyl Front Head (Order Kit 759-3431)
	759-3431	1	/P	Kit, Hyd Cylinder Service (Includes Ref No. 4, 6, 7, 8 & 9)



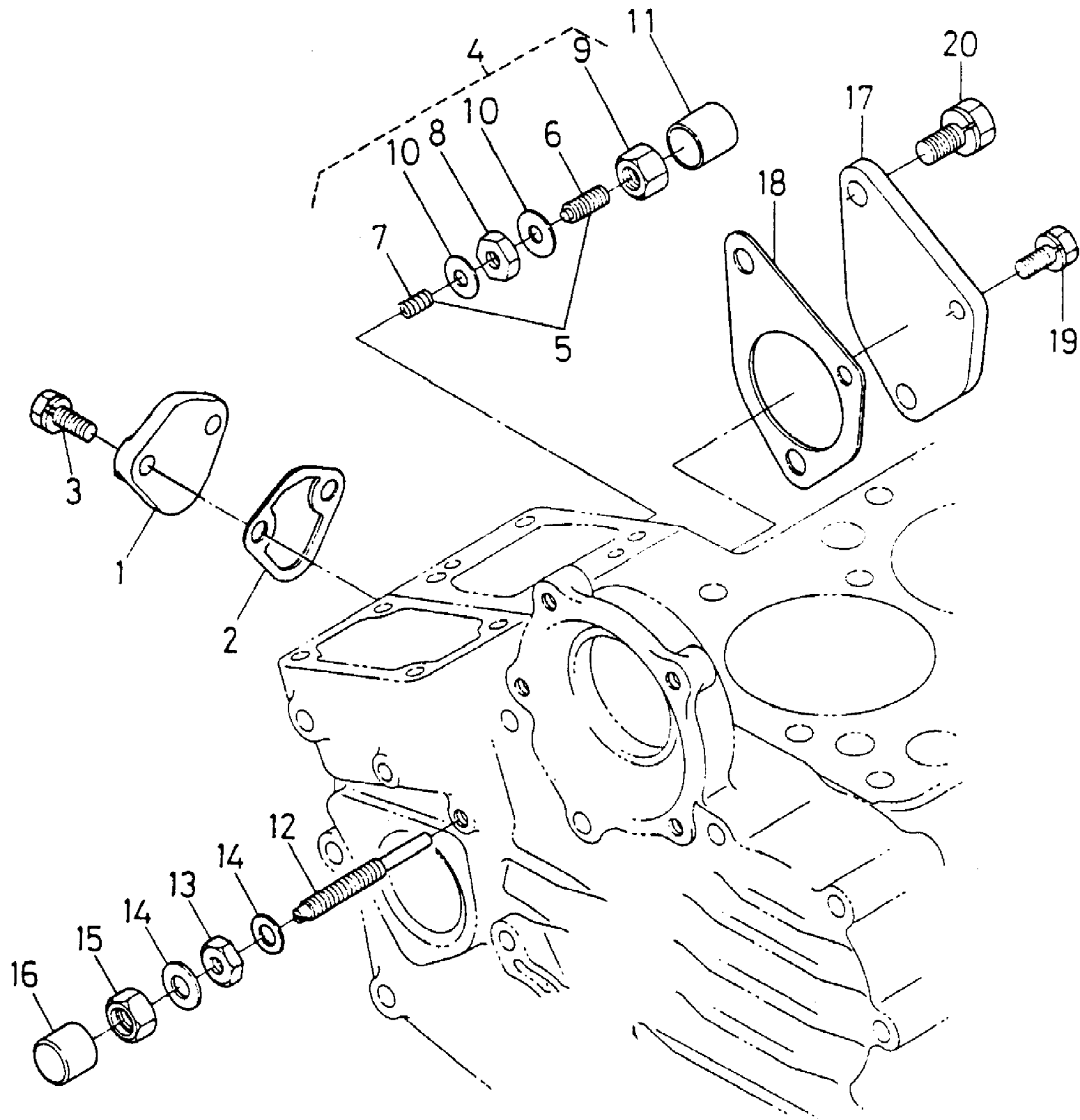
1512, 882, 782-Diesel  
Hydrostatic Transmission

Page 80 of 135

Ref #	Part Number	Qty	S/P/F	Description
	717-3033	1		Transmission Assy, Hydrostatic Drive
1	SU-3103064	1		Housing Assy
	SU-9007500-3722	2		Screw, 12 Point
2		1		Housing, Charge Pump - Not Serviced Separately (Order Pump Kit SU-9510405-0003)
	SU-9007206-4428	2		Screw, Hex
	736-0171	2	S	Washer, Lock 7/16
3	SU-9001370-0003	1	/P	Bearing, Hyd Pump Shaft Roller
4	IH-394847-R91	1	S	Seal, Lip
5	SU-9008000-6701	2	/P	Seal, Lip
6	IH-629631-R91	2		Bearing, Needle
7	SU-9004800-2506	2	S	Pin, Transmission Housing
8	SU-3101867	1	/P	Shaft, Transmission Hyd Pump
9	741-0361	1	S	Bearing, Ball
10	IH-85046-C1	1		Swashplate, Hyd Pump
11	SU-3102020	1	/P	Plate, Hyd Pump Swashplate Thrust
12	SU-3103136	2	/P	Kit, Cylinder Block Motor and Pump
13	IH-405179-R1	2	/P	Washer, Spring Front
14	IH-317776-R1	2		Ring, Hyd Cyl Block Spring Rear Washer Snap
15	IH-394858-R1	2		Washer, Hyd Cyl Block Spring Rear
16		1		Block, Cylinder - Not Serviced Separately (Order Cylinder Block Kit SU-3103136)
17	SU-3100120	2		Spring, Hyd Cylinder Block
18		1		Piston Assy, Hyd Pump and Motor - Not Serviced Separately (Order Cylinder Block Kit SU-3103136)
19	SU-3100194	2	/P	Retainer, Hyd Piston Slipper
20	SU-3102731	1	/P	Plate, Hyd Cyl Block Valve
21	SU-9004800-1508	1	/P	Pin, Hyd Pump Cyl Block
22	SU-3100349	1		Swashplate, Hyd Motor Order Service Kit SU-9510735
23	SU-3101752	1	/P	Shaft, Transmission Hyd Motor
24	SU-3102687	1	/P	Plate, Hyd Motor Cyl Block Valve
25	SU-9004800-1508	1	/P	Pin, Hyd Motor Cyl Block
26	SU-3102875	1	S	Gasket, Transmission Housing
27	SU-9510643	1	/P	Housing, Transmission Center
	710-0520	2	/P	Bolt, 3/8 X 1-1/2 Pln Type 5
	SU-9007200-3728	4		Bolt, 3/8 X 2 Pln Type 5
	710-3005	2	/P	Screw, 3/8 X 1-1/4 Pln H/Shd Cap
28	IH-394868-R1	1	S	Fitting, Center Housing
29	IH-444691	1		Plug, 1/4-18 Automotive, Hex Soc Hd Pipe
30	SU-9001355-0001	2	/P	Bearing, Center Housing Needle
31	IH-444687	4		Plug, 1/8-27 Automotive, Hex Soc Hd Pipe
32	SU-3100053	2	/P	Cone, Relief Valve
33	SU-3101536	1	/P	Spring, Charge Relief Valve
34	SU-3100055	2	/P	Plug, Relief Valve
	SU-3102301	1		Spring, Implement Relief Valve
35	IH-369384-R1	2		O-Ring, 13/32 X 9/16 X 5/64 Relief Valve Plug

1512, 882, 782-Diesel  
Hydrostatic Transmission

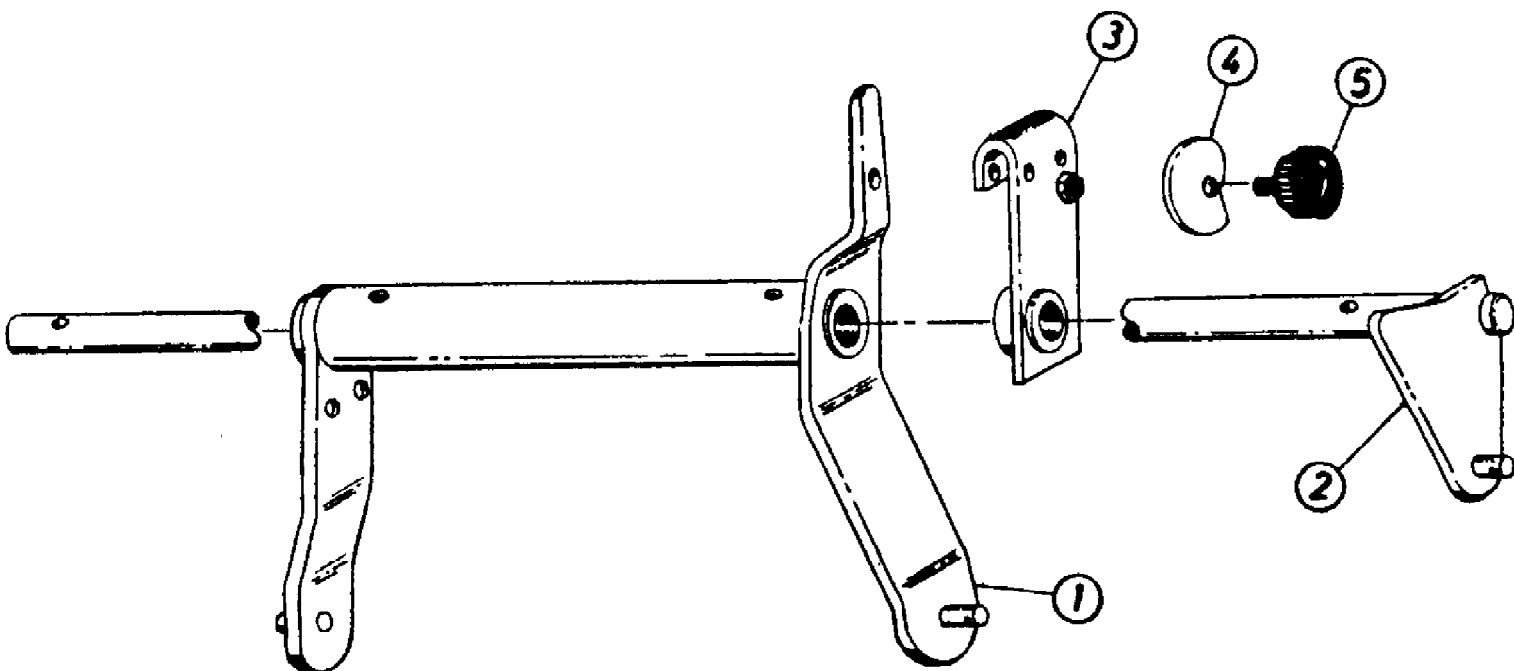
Ref #	Part Number	Qty	S/P/F	Description
36	SU-9510447	2	/P	Kit, Shim
37	SU-9500085	2	S	Valve Assy, Center Housing Check (Includes Ref No. 38, 39 & 40)
38	SU-9006110-0160	2	/P	Washer, Check Valve Housing
39	IH-379181-R1	2		O-Ring, 5/8 X 3/4 X 1/16
40	721-3005	2	S	O-Ring, 3/4 X 15/16 X 3/32 Check Valve Housing, Large
41	IH-21065-R1	1		Ring, Trunnion Shaft Snap
42	SU-9009625-6904	1	/P	Washer, Trunnion Shaft Seal Retaining
43	IH-23707-R1	1		O-Ring, 2-3/8 X 2-1/2 X 1/16 Class 5
44		1		Rotor Assy, Charge Pump - Not Serviced Separately (Order Pump Kit SU-9510405-0003)
46	SU-9004875-0076	1	/P	Pin, Charge Pump Rotor
		1		Bearing, Charge Pump Housing Needle - Not Serviced Separately (Order Pump Kit SU-9510405-0003)
47	IH-394847-R91	1	S	Seal, Lip
48	IH-9410359	2		Plug, 3/4-16 C-Z Str Thd
49	IH-570828-R1	2		O-Ring, 41-64 X 13/16 X 3/32
50	SU-3103181	1	S	Shaft Assy, Trunnion
51	SU-3101045	1	/P	Shaft, Trunnion
52	IH-27280-R1	3	/P	Pin, 3/16 X 5/8 Coiled Spring
	SU-9510405-0003	1	/P	Kit, Charge Pump Housing
	IH-394847-R91	1	S	Seal
		1		Rotor Assy
		1		Bearing
	SU-9004875-0076	1	/P	Pin
	SU-9510735	1		Kit, Swashplate w/Hsg Service Consists of:
	SU-3103064	1		Housing
	SU-9008000-6201	1	S	Oil Seal
	SU-9008000-6701	2	/P	Oil Seal
	SU-9001455-0004	2		Needle Bearing
	SU-3102020	1	/P	PLATE,THRUST
	SU-3102029	1		Swashplate



1512, 882, 782-Diesel  
Idling Components

Page 83 of 135

Ref #	Part Number	Qty	S/P/F	Description
1	KB-15852-52850	1		Cover
2	KB-15841-52140	1	S	Gasket
3	KB-01023-50616	2		Bolt, M6 X 16 Class 8.8 w/Washer
4	KB-15841-54090	1		Bolt Assy, Idling (Includes Ref No. 5 thru 10)
5	KB-15531-54100	1		Bolt Assy, Adjusting (Includes Ref No. 6 & 7)
6		1		Not Serviced Separately
7	KB-15531-54260	1		Spring
8	KB-15261-92020	1		Nut
9	KB-15841-54220	1		Nut, Cap
10	KB-15021-33660	2		Washer
11	KB-15841-54270	1		Cap
12	KB-15841-54122	1		Bolt, Adjusting
13	KB-15601-92010	1		Nut
14	KB-15601-96650	2	/P	Washer
15	KB-15601-54220	1		Nut, Cap
16	KB-15601-54420	1		Cap
17	KB-15841-83350	1		Cover
18	KB-15841-83110	1		Gasket
19	KB-01023-50616	1		Bolt, M6 X 16 Class 8.8 w/Washer
20	KB-01123-50818	2		Bolt, M8 X 18 Pln Class 8.8
	KB-04512-50080	2	S	Washer, 8MM Lock

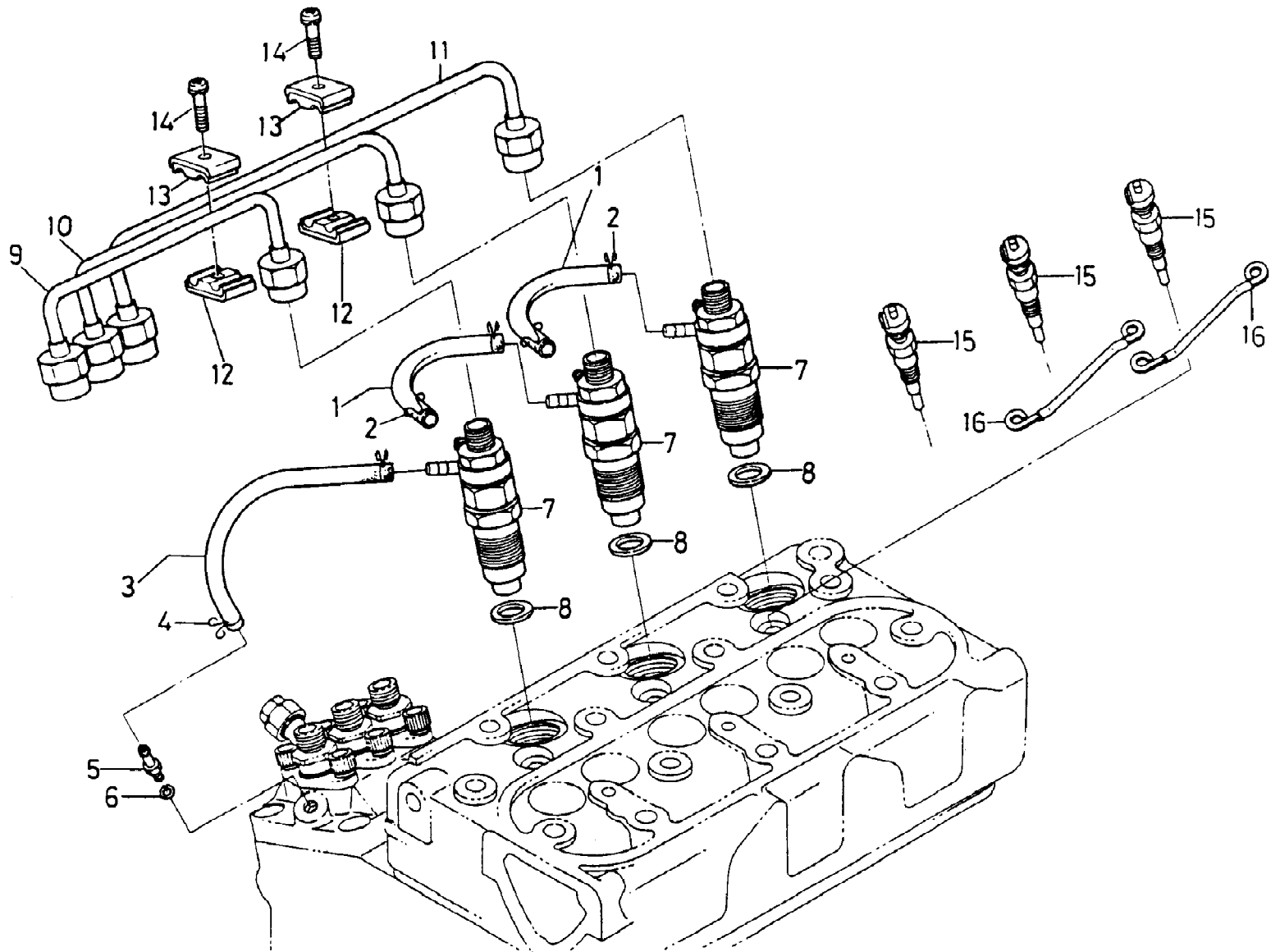




1512, 882, 782-Diesel  
Implement Lift

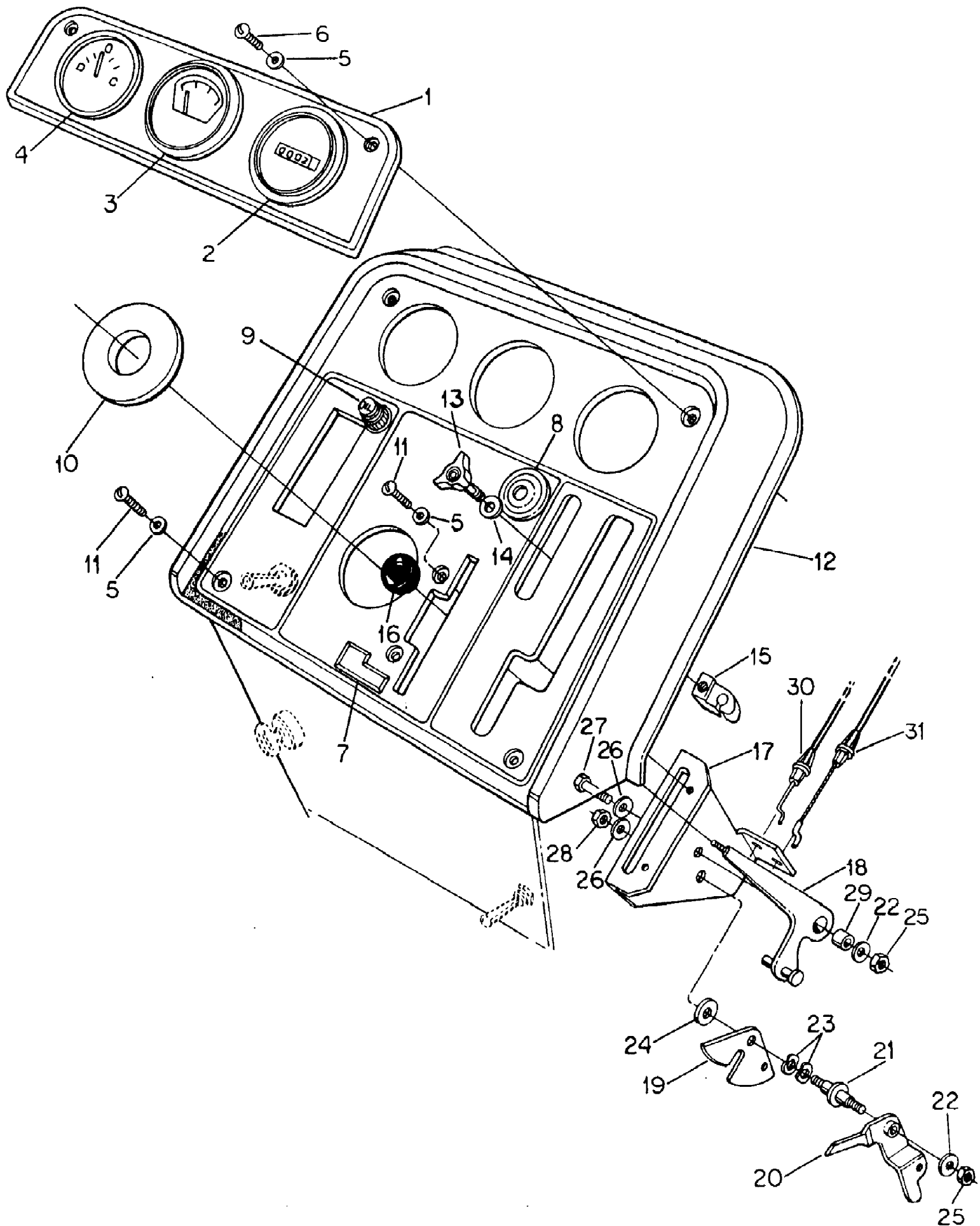
Ref #	Part Number	Qty	S/P/F	Description
1	703-0837	1		Arm Assy, Rockshaft
	715-3020	2		Pin, 3/8 X 2 Hvy Pln Cld Spr
2	703-0853	1		Rockshaft Assy
3	703-0192	1		Bracket Assy, Lift
	711-3030	1		Pin, 1/2 X 2.172 Pln Clevis
	736-0108	1	S	Washer, .500 X 1.125 X .064
	714-0115	1	S	Pin, 1/8 X 1 Pln Cot
4	703-0189	1	/P	Cam, Lift Handle Stop
	736-0140	1	S	Washer, .406 X .812 X .051
5	720-3005	1		Knob, Torque

1512, 882, 782-Diesel  
Injection Pump Nozzles, Pipes & Glow Plugs

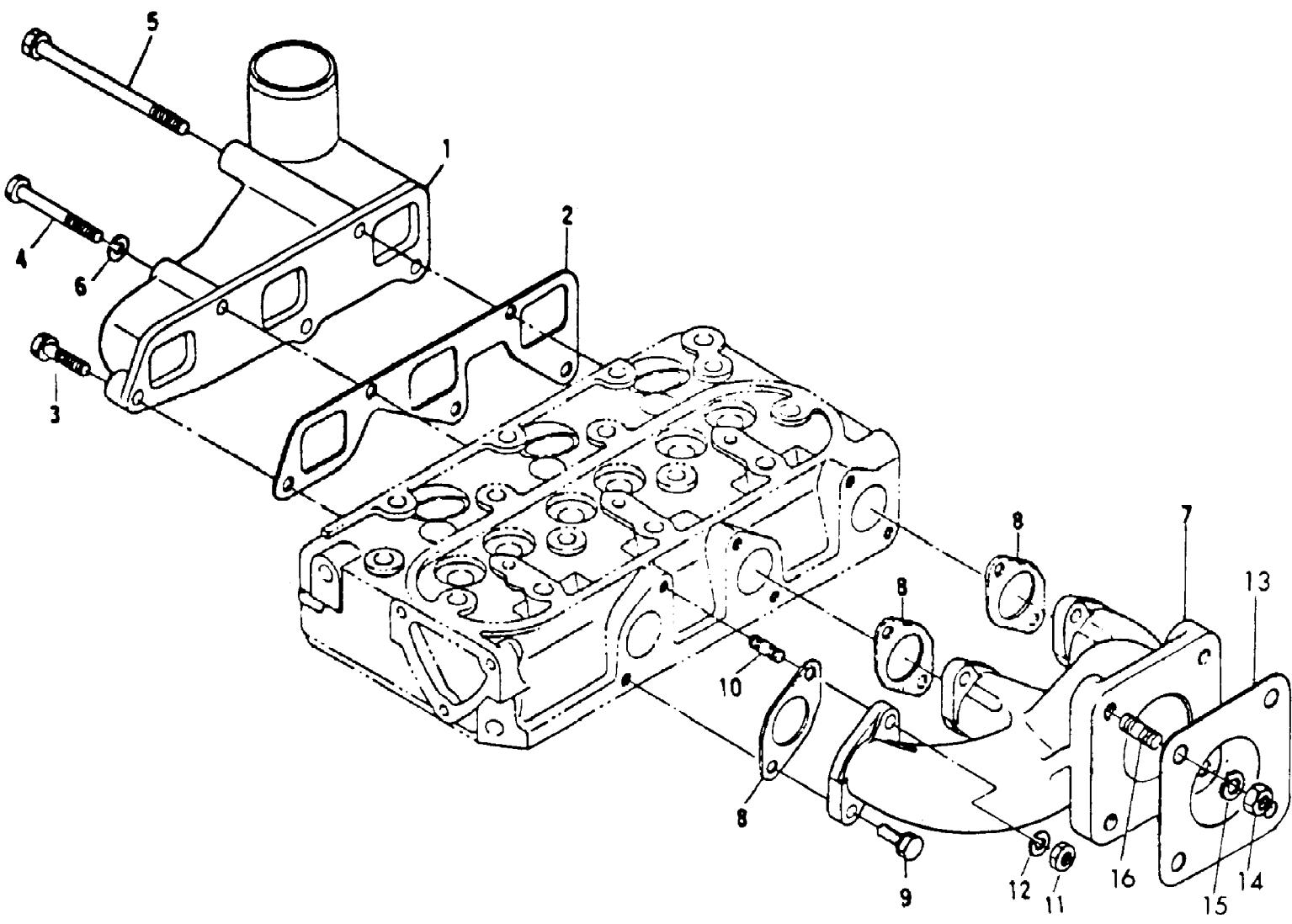


1512, 882, 782-Diesel  
 Injection Pump Nozzles, Pipes & Glow Plugs

Ref #	Part Number	Qty	S/P/F	Description
1	KB-15841-42040	2		Pipe, Overflow
2	KB-14971-42750	4		Clamp, Pipe
3	KB-15841-42500	1		Pipe, Overflow
4	KB-14971-42750	2		Clamp, Pipe
5	KB-15841-51360	1		Fitting
6	KB-15601-96650	1	/P	Washer
7	KB-15841-53000	3	/P	Nozzle, Injection
8	KB-15841-53620	3	S	Washer
9	KB-15841-53710	1		Pipe, Injection 1
10	KB-15841-53720	1		Pipe, Injection 2
11	KB-15861-53730	1		Pipe, Injection 3
12	KB-15841-53850	2		Clamp, Pipe 1
13	KB-15841-53860	2		Clamp, Pipe 2
14	KB-03024-50520	2		Screw, M5 X 20 Class 4.8 P/Hdcr
15	KB-15951-65510	3	S	Plug, Glow
16	KB-15841-65560	2	/P	Wire, Glow Plug



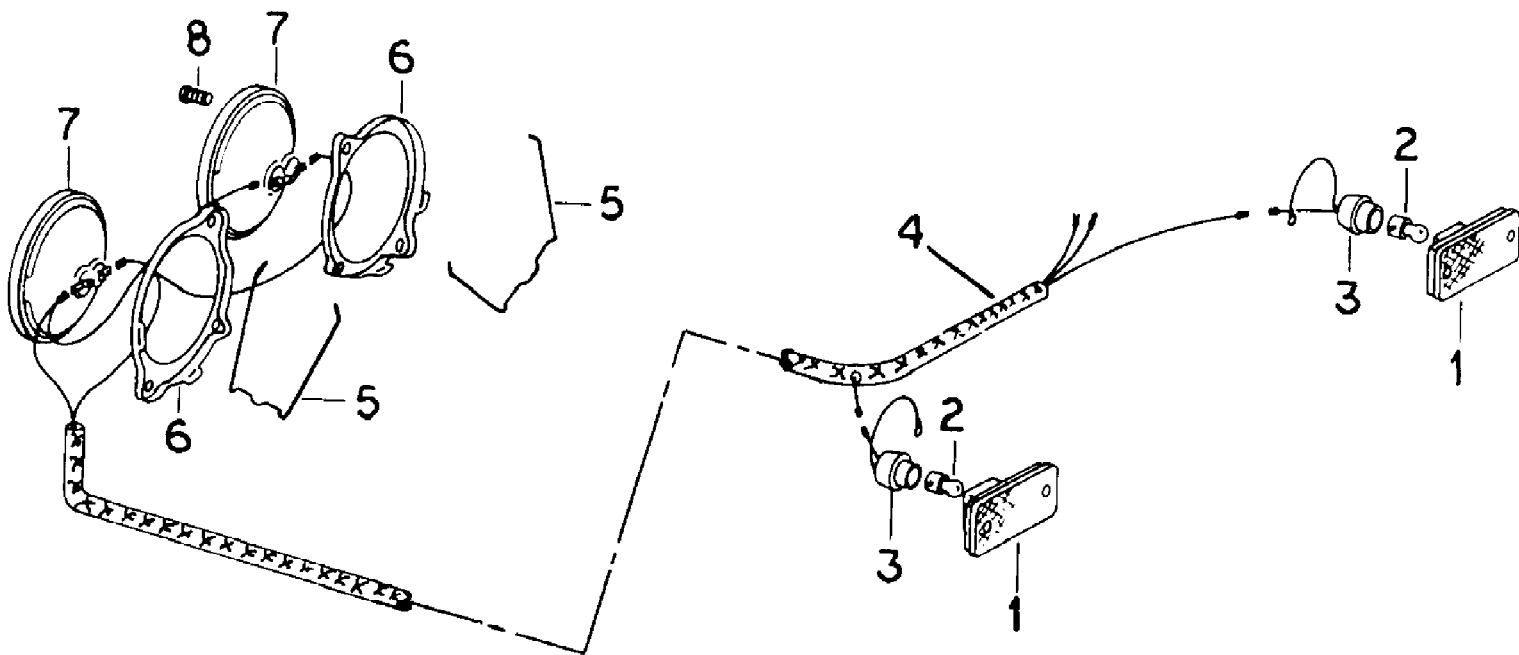
Ref #	Part Number	Qty	S/P/F	Description
1	731-3037	1		Cover, Panel
2	IH-106382-C91	1	/P	Package, Hourmeter
3	KB-19488-83030	1	/P	Gauge, Water Temperature
	759-3267	1		Bulb, Light
4	725-3023	1	S	Indicator, Charge
5	736-3005	6		Washer, Flat
6	710-3143	2	/P	Screw, Tap
7	731-3041	1		Plate, Throttle
8	KB-15521-65950	1		Indicator, Glow Plug
9	725-3134	1		Light, Oil Indicator
	725-3125	1		Bulb, Light
10	735-3002	1		Grommet, Instrument Panel
11	710-3009	4	/P	Screw, Tapping
12	703-1018	1		Panel, Instrument
13	721-3003	1		Knob
14	736-3020	1	S	Washer, .266 X .625 X .036
15	731-3007	1	/P	Stop, Handle Detent
16	720-0166	1	/P	Knob, Ball
17	703-0950	1		Support, Throttle Control
18	703-1001	1		Lever, Throttle Control
19	703-0952	1		Cam, Throttle Control
20	703-1000	1		Cam, Fuel Shut-Off
21	738-3050	1	/P	Shaft, Pivot
22	736-0264	2	S	Washer, Ft R/Hole 11/32 X 5/8 X 16 Ga
23	736-3079	2		Washer, Spring
24	723-3038	1		Disc, Friction
25	712-3009	2	S	Nut, 5/16 Cad P/T Lock Type 5
26	736-0242	2	/P	Washer, Bell
27	710-0376	1	/P	Bolt, 5/16 X 1 Type 5
28	712-0267	1	S	Nut, 5/16 Type 5
29	711-3140	1	/P	Spacer
30	746-3013	1	S	Cable, Throttle
31	746-3012	1		Cable, Shut-Off



1512, 882, 782-Diesel  
Intake Manifold

Page 91 of 135

Ref #	Part Number	Qty	S/P/F	Description
1	KB-15862-11761	1	S	Manifold, Inlet
2	KB-15862-11820	1	S	Gasket, Inlet Manifold
3	KB-01053-50625	2		Bolt, M6 X 25 Class 8.8
4	KB-01053-50650	2		Bolt, M6 X 50MM Class 8.8
5	KB-15862-96011	1		Bolt
6	KB-04512-50060	4	S	Washer, 6MM Lock
7	KB-15861-12310	1	S	Manifold, Exhaust
8	KB-15841-12350	3	S	Gasket, Exhaust Manifold
9	KB-01023-50618	3	/P	Bolt, M6 X 18-8.8
10	KB-01513-50618	3	/P	Stud
11	KB-02056-50060	3		Nut, M6 Znd Class 8
12	KB-04512-50060	3	S	Washer, 6MM Lock
13	721-3017	2	S	Gasket
14	KB-02114-50080	4	/P	Nut, M8 Class 8
15	KB-04512-50080	4	S	Washer, 8MM Lock
16	KB-01513-50822	4	/P	Stud

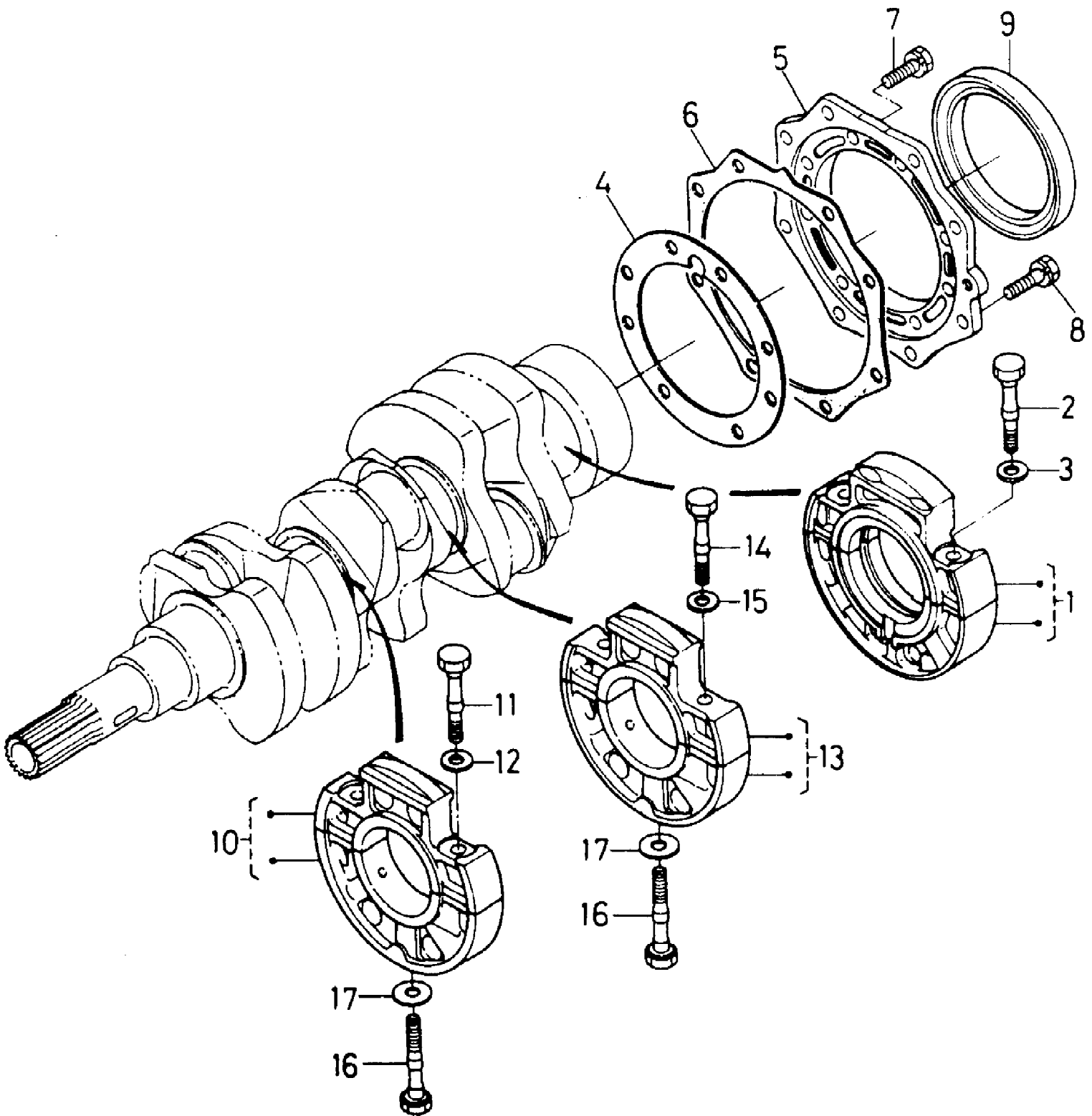




1512, 882, 782-Diesel  
Lighting

Page 93 of 135

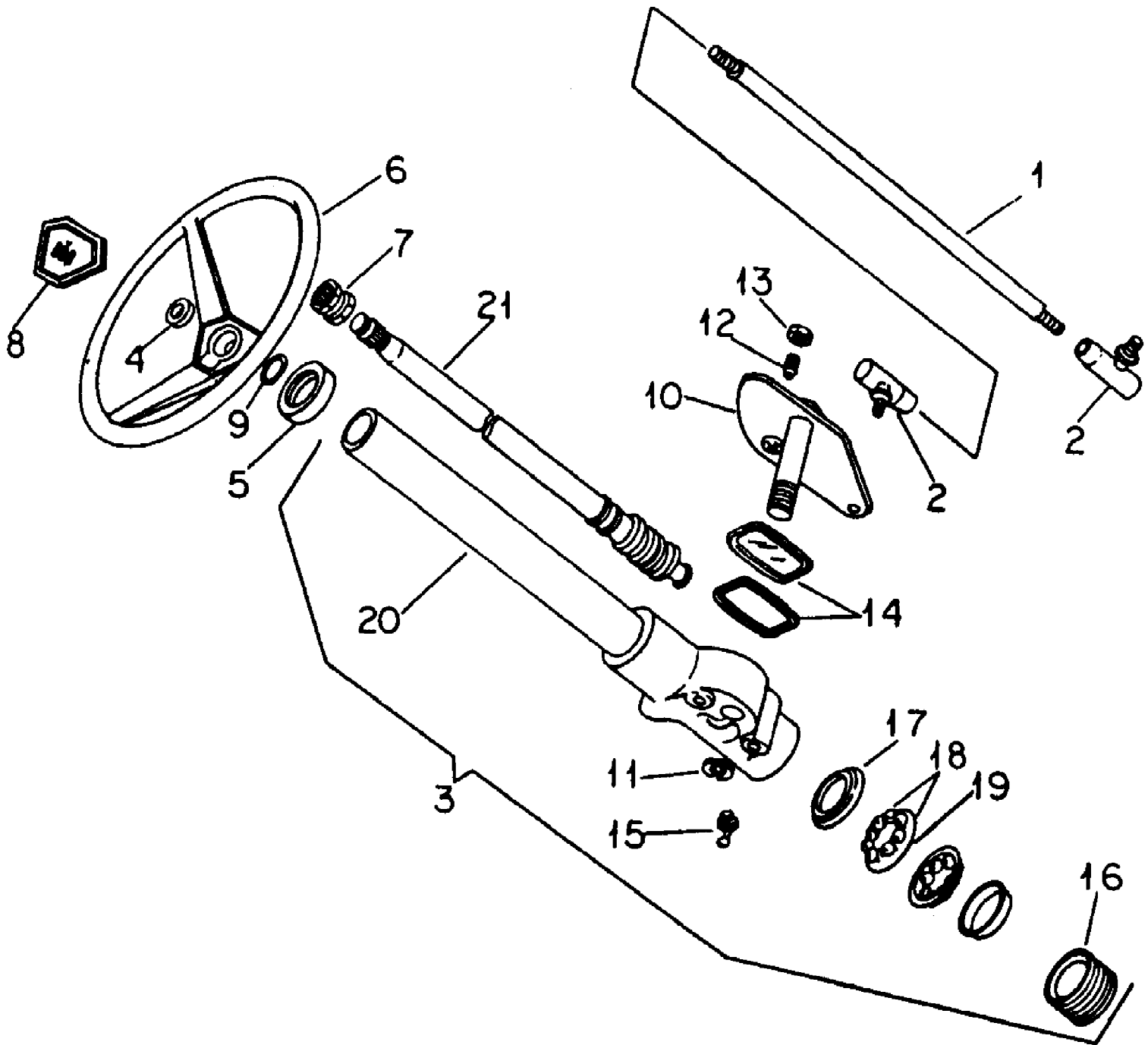
Ref #	Part Number	Qty	S/P/F	Description
1	725-3018	1		Lens Assy, Taillight
	710-3003	4	/P	Screw, Tapping
	736-3018	2		Washer, No. 8 Ext-Int Tooth Lock
	712-0142	4	/P	Nut, No. 8 Mach Screw Type 1
2	725-3020	2	S	Lamp, Type C-2F Trade #194
3	725-3019	2		Cable Assy, Taillight
4	725-3086	1		Harness Assy, Main Cable
5	732-3011	2	S	Spring, Headlamp Retaining
6	703-0166	2	/P	Retainer, Headlamp
7	725-0222	2	S	Light, Sealed Beam Head
8	710-3003	4	/P	Screw, Headlight Mtg
	712-0142	4	/P	Nut, No. 8 Mach Screw Type 1



1512, 882, 782-Diesel  
Main Bearing

Page 95 of 135

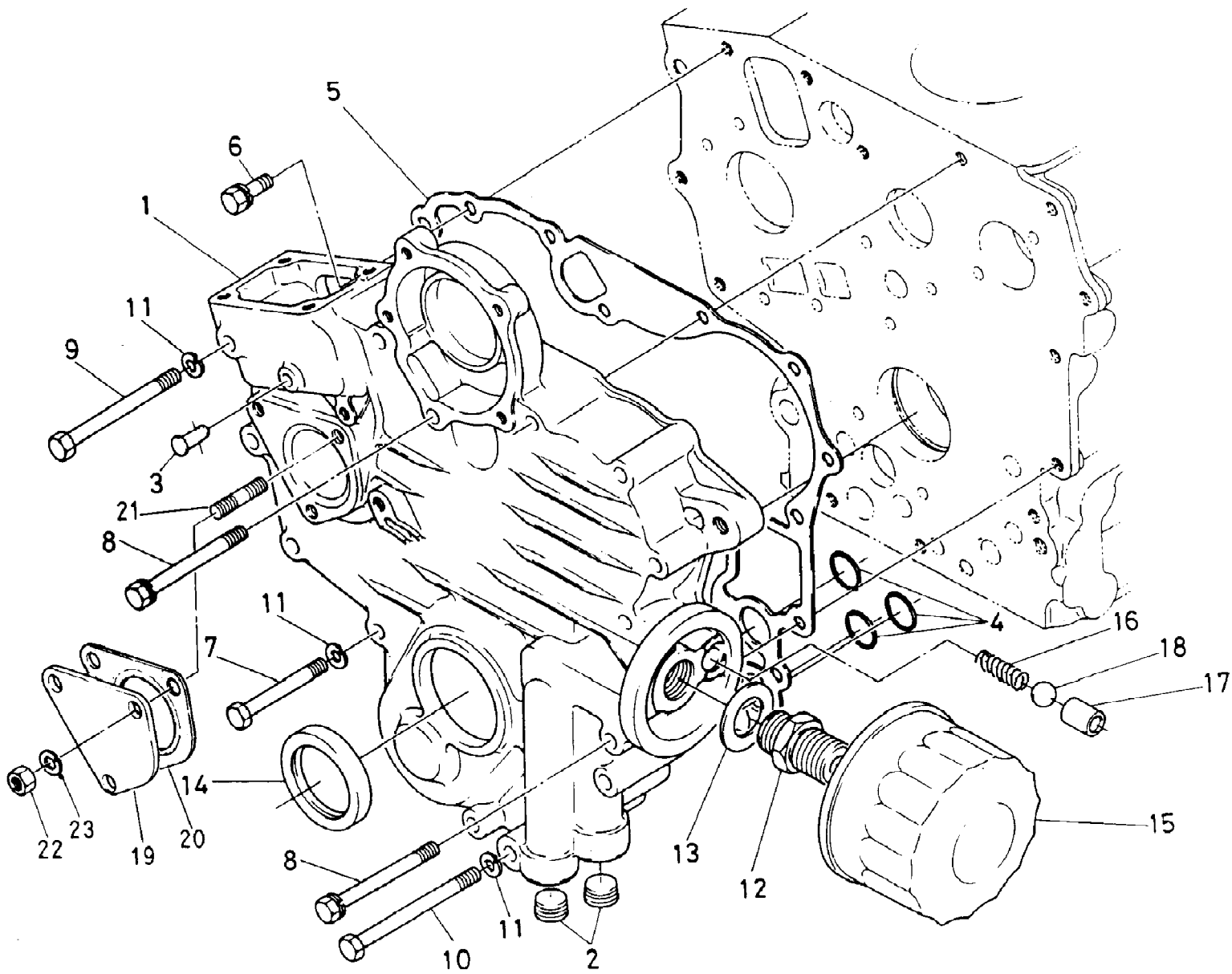
Ref #	Part Number	Qty	S/P/F	Description
1	KB-15841-04090	1		Case, Main Bearing
2	KB-14601-04540	2		Bolt, Bearing Case
3	KB-14601-04570	2		Washer, Bearing Case
4	KB-15841-04360	1	S	Shim, Bearing Case
5	KB-15841-04810	1		Cover, Bearing Case
6	KB-15841-04820	1	S	Gasket, Bearing Case
7	KB-01023-50620	8		Bolt, M6 X 20 Class 8.8
	KB-04512-50060	8	S	Washer, 6MM Lock
8	KB-01023-50622	8		Bolt
9	KB-19215-99160	1	/P	Seal, Oil
10	KB-15841-04040	1		Case, Main Bearing 1
11	KB-14601-04540	2		Bolt, Bearing Case
12	KB-14601-04570	2		Washer, Bearing Case
13	KB-15861-04050	2		Case, Main Bearing
14	KB-14601-04540	2		Bolt, Bearing Case
15	KB-14601-04570	2		Washer, Bearing Case
16	KB-15841-04560	2		Bolt, Bearing Case
17	KB-15841-04580	2		Washer, Bearing Case



1512, 882, 782-Diesel  
Mechanical Steering

Page 97 of 135

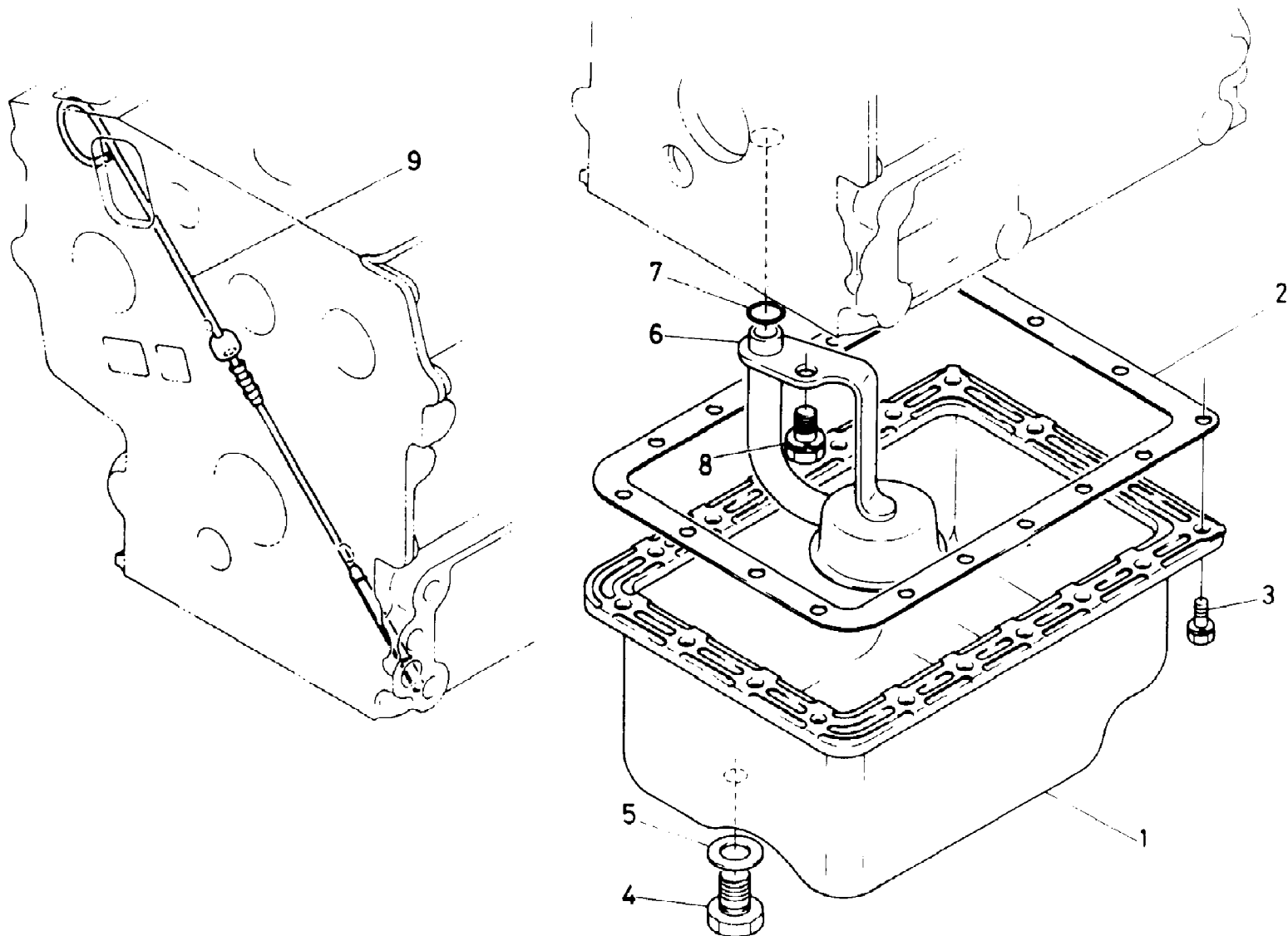
Ref #	Part Number	Qty	S/P/F	Description
1	711-3000	1		Link, Steering Gear Drag
	712-3001	2	S	Nut, 3/8-NF Pln Jam Type 5
2	723-3000	2	S	Joint, Ball
	712-3002	2	S	Nut, 3/8-NF Slit Type 5
	714-0507	2	S	Pin, 3/32 X 3/4 Cot
3	703-1085	1	/P/F	Gear Assy, Steering (Marked CCC)
	~NLA	1		Gear Assy, Steering (Marked Ross) [Consists of Ref. No. 10, 11, 12, 13, 14, 15, 16, 17 (Qty 2), 18 (Qty 2), 2
4	723-3001	1	S	Seal, Steering Gear
5	741-3000	1	S	Bearing, Column Upper
	710-3001	2	/P	Bolt, 3/8 X 7/8 Pln Type 5
	736-0169	2	S	Washer, 3/8 Lock
6	731-3000	1	/P	Wheel Assy, Steering
7		1		Not used in this application (Furnished as Part of Wheel Assy)
8	731-3001	1	/P	Cap, Steering Wheel
9	721-3000	1	/P	O-Ring, 1-3/4 X 1/8
10	IH-385522-R1	1		Lever & Bolt
	712-3056	2	/P	Nut, 5/8-NF Jam Type 5
11	IH-308362-C1	1		Washer, Flat - CDP
12	IH-62806-C1	1	S	Stud, Cam Follower
13	712-3029	1	/P	Nut, 1/2-NF Jam Type 5
14	IH-394936-R91	1		Package, Seal & Seal Retainer
15	IH-273360	1		Fitting, 1/4 65 Deg Angle Lub
16	IH-394288-R1	1	/P	Plug, Adjusting
	714-3015	1		Pin, 1/8 X 1/2 Pln Cot
17	IH-379405-R1	2	S	Cup
18	IH-389081-R91	2	S	Bearing
19		2		Retainer, Ball (Order IH-389081-R91)
20	IH-401277-R1	1		Tube, Housing & Jacket
21	IH-385984-R91	1	S	Cam & Tube Assy
	712-3056	1	/P	Nut, 5/8-NF Jam Type 5



1512, 882, 782-Diesel  
Oil Filter

Page 99 of 135

Ref #	Part Number	Qty	S/P/F	Description
1	KB-19461-04020	1		Case Assy, Gear (Includes Ref No. 2, 3 & 4)
2	KB-15261-96020	2		Plug
3	KB-15841-56280	1		Pin
4	KB-04811-06130	3	/P	O-Ring
5	KB-15862-04130	1	S	Gasket, Gear Case
6	KB-01023-50618	1	/P	Bolt, M6 X 18-8.8
	KB-04512-50060	1	S	Washer, 6MM Lock
7	KB-01053-50650	10		Bolt, M6 X 50MM Class 8.8
8	KB-15841-91010	3		Bolt
9	KB-01053-50670	1		Bolt, M6 X 70 Phc Class 10.9
10	KB-15241-91020	1		Bolt
11	KB-04512-50060	12	S	Washer, 6MM Lock
12	KB-15841-32290	1		Joint, Pipe
13	KB-15841-94010	1		Washer, Plain
14	KB-15877-04140	1	/P	Seal, Oil
15	KB-70000-15241	1	/P	Element, Filter
16	KB-15841-36950	1		Spring
17	KB-15841-36930	1		Seat, Valve
18	KB-07715-03211	1		Ball, 11/32
19	KB-19461-83340	1		Cover
20	KB-19461-88130	1	S	Gasket
21	KB-15221-88210	3		Stud
22	KB-02056-50060	3		Nut, M6 Class 10
23	KB-04512-50060	3	S	Washer, 6MM Lock

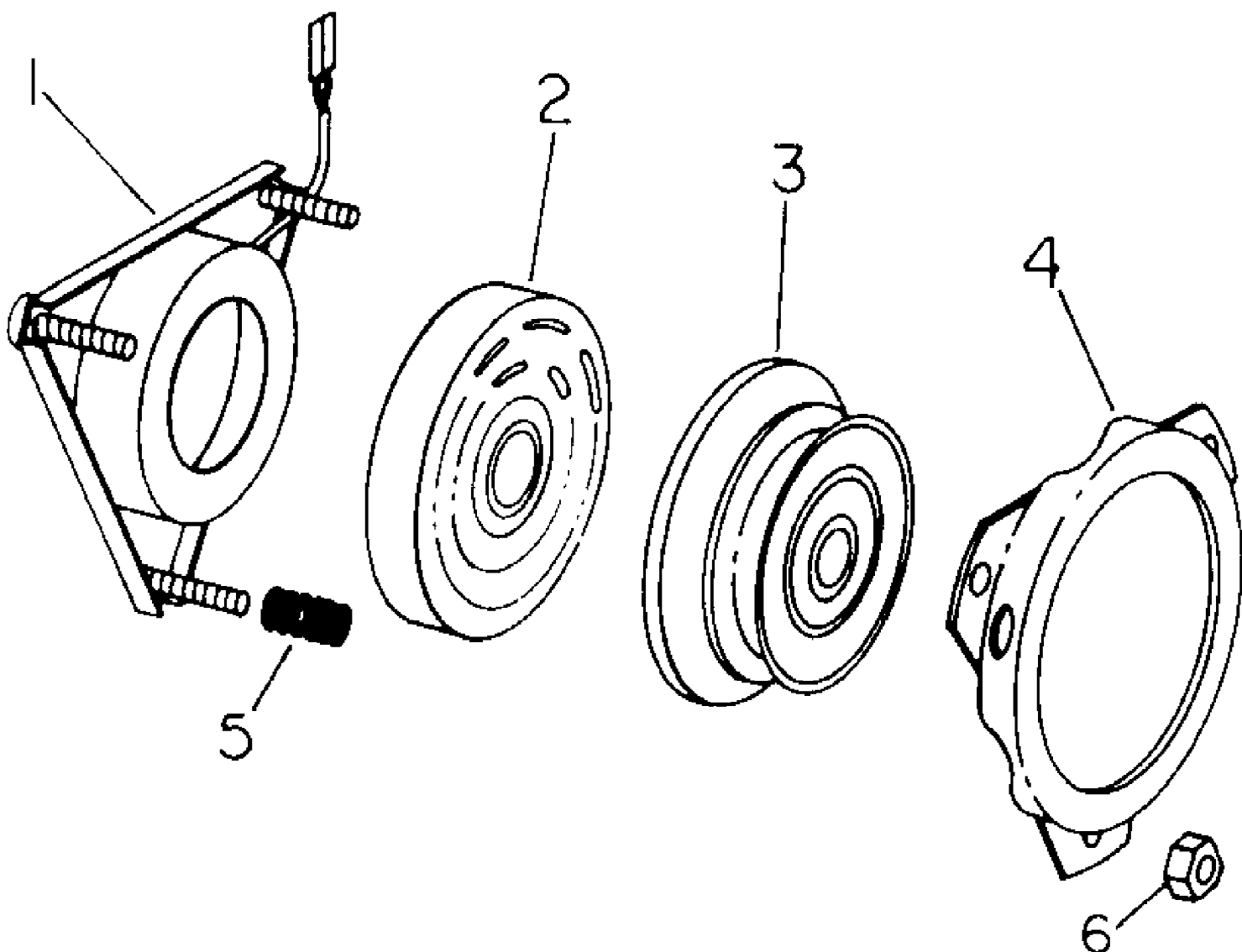




1512, 882, 782-Diesel  
Oil Pan

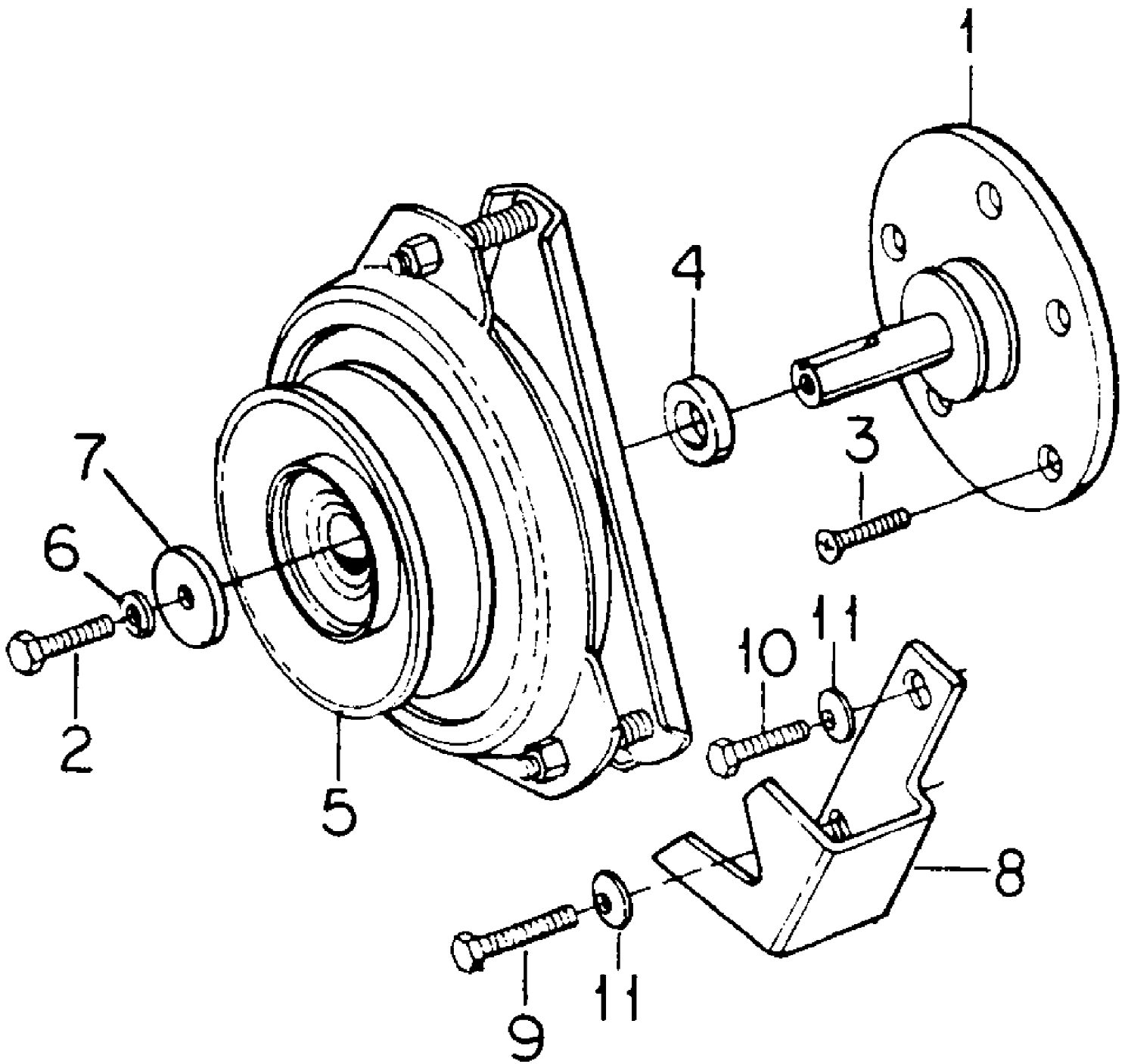
Page 101 of 135

Ref #	Part Number	Qty	S/P/F	Description
1	KB-15862-01501	1		Pan, Oil
2	KB-15861-01620	1	S	Gasket, Oil Pan
3	IH-30191-R1	18		Bolt, M6 X 12 Class 8.8
	KB-04512-50060	18	S	Washer, 6MM Lock
4	KB-15221-33750	1		Plug
5	KB-15109-33660	1	S	Gasket
6	KB-15861-32110	1		Filter, Oil
7	KB-04811-00140	1		O-Ring
8	KB-01123-50814	1		Bolt, M8 X 14 Pln H/Hd Class 8.8
	KB-04512-50080	1	S	Washer, 8MM Lock
9	KB-15841-36410	1	/P	Gauge, Oil
	KB-07916-24530	1		Kit, Lower Gasket



1512, 882, 782-Diesel  
PTO Clutch

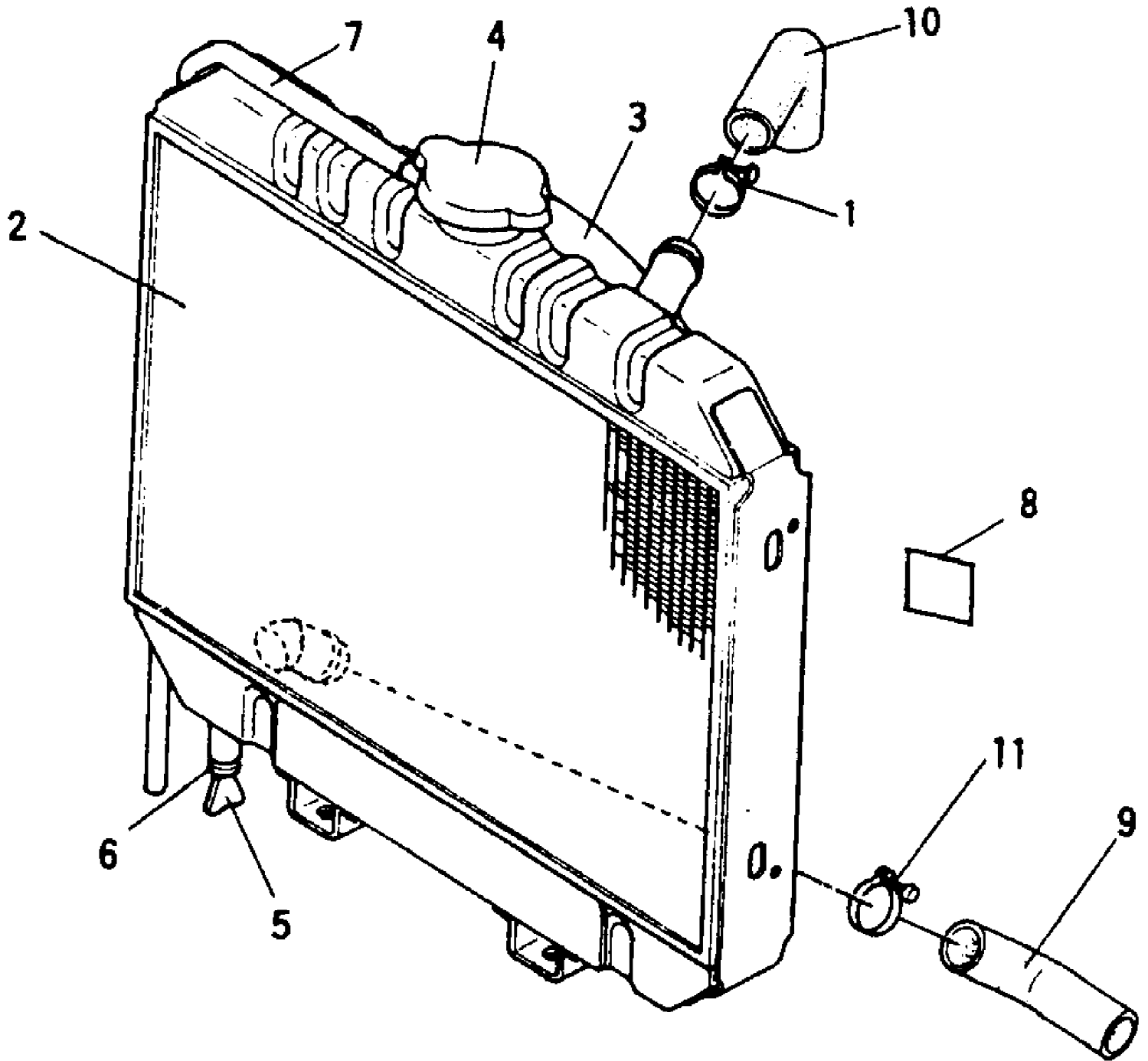
Ref #	Part Number	Qty	S/P/F	Description
1	759-3469	1		Coil
2		1		Rotor (Order Kit 759-3470
3		1		Armature (Order Kit 759-3470
4	759-3305	1		Drum, Brake
5	IH-83684-C1	3		Spring, Brake
6	712-3054	3	/P	Nut, 3/8-NF Cad P/T Lock Type 5
	759-3470	1		Kit, Rotor & Armature



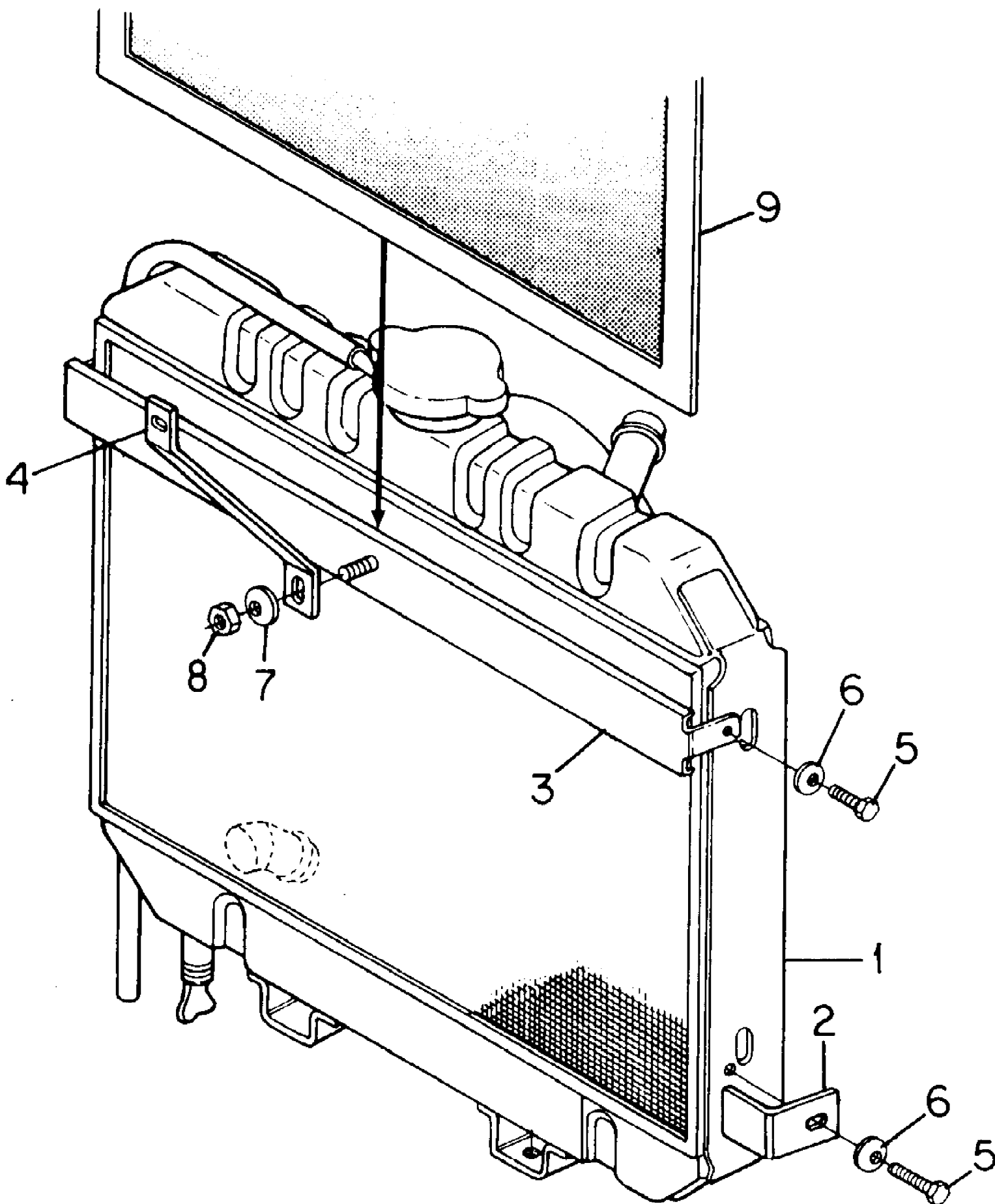
1512, 882, 782-Diesel  
PTO Clutch & Mounting

Page 105 of 135

Ref #	Part Number	Qty	S/P/F	Description
1	703-0971	1		Shaft, Stub
2	710-0152	1	S	Bolt, 3/8-NF X 1 Type 5
3	710-3141A	5	/P	Screw, M8 X 19 F/Hd Ctsk W/Patch
4	711-3139	1		Spacer
5	717-3035	1	S	Clutch Assy, PTO (For Components See Listing PTO Clutch)
6	736-0169	1	S	Washer, 3/8 Lock
7	736-3075	1		Washer, .406 X 1.5 X 1.50
8	703-0980	1		Bracket, Torque
9	710-0888	1	/P	Bolt, 5/16-NF X 1 Type 5
	736-0119	1	S	Washer, 5/16 Lock
	712-0123	1	/P	Nut, 5/16-NF Type 5
10	710-3137	1		Bolt, M8 X 20 Phc Class 8.8
11	736-0242	2	/P	Washer, Bell

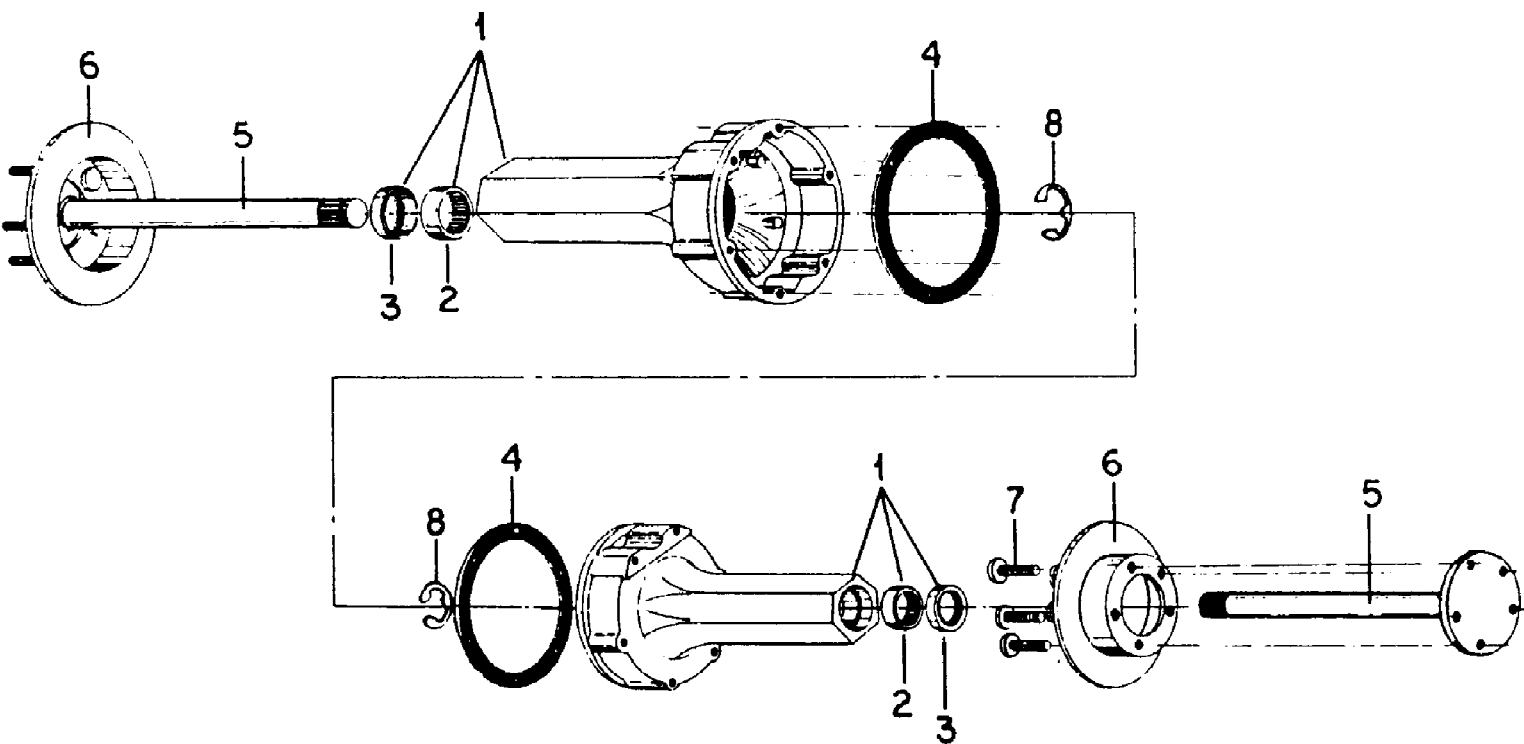


Ref #	Part Number	Qty	S/P/F	Description
1	726-3037	2		Clamp, No. 20 Type F Hose
2	KB-19488-72060	1	/P	Radiator (Includes Ref No. 3 thru 7)
3	KB-15861-72330	1		Shroud, Fan
4	KB-15272-72020	1	/P	Cap, Radiator
5	KB-15231-73110	1	/P	Cock, Drain
6	KB-15231-96690	1	/P	Washer
7	KB-15861-72710	1		Tube, Overflow
8	KB-15409-94610	1		Label, Radiator
9	735-3019	1		Hose, Lower Water
10	735-3020	1	/P	Hose, Upper Water
11	726-3037	4		Clamp
	711-3134	1		Plug, Radiator
	723-3037	1		Hose Cover (Foam)
	759-3352	1		Extension Kit, Radiator Baffle
	759-3159	1		Coolant Heater Parts Accessory Heater, Coolant (Order Parts Accessory)
	759-3187	1		Cable, Cord Set
	735-3024	1		Hose, Lower Water
	735-3025	1		Hose, Upper Water
	726-3037	2		Clamp, No. 20 Shoe Type F Hose





Ref #	Part Number	Qty	S/P/F	Description
1		1		Radiator Assy (See Separate Listing for Components)
	710-3136	2		Bolt, M10 X 1.25 X 25-8.8
	736-0255	2	S	Washer, Bell
2	703-1009	2		Support, Screen
3	703-0982	1		Brace, Radiator
4	703-0967	1		Brace
5	710-3140	4		Bolt, M6 X 14MM Class 8.8
6	736-0270	4	/P	Washer, Bell
7	736-0242	1	/P	Washer, Bell
8	712-3009	1	S	Nut, 5/16 Cad P/T Lock Type 5
9	703-1057	1	/P	Screen, Radiator

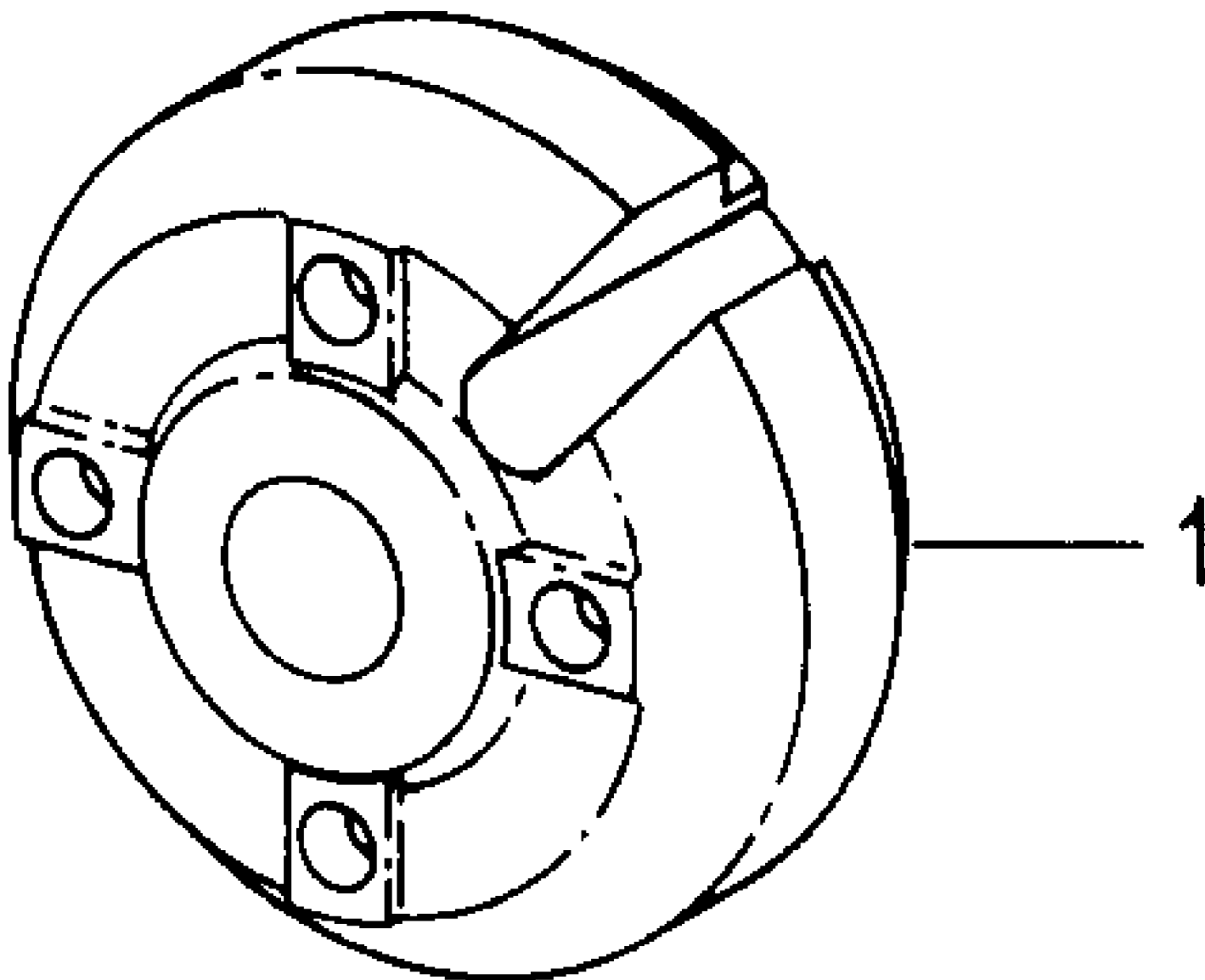


1512, 882, 782-Diesel  
Rear Axle Carrier

Page 111 of 135

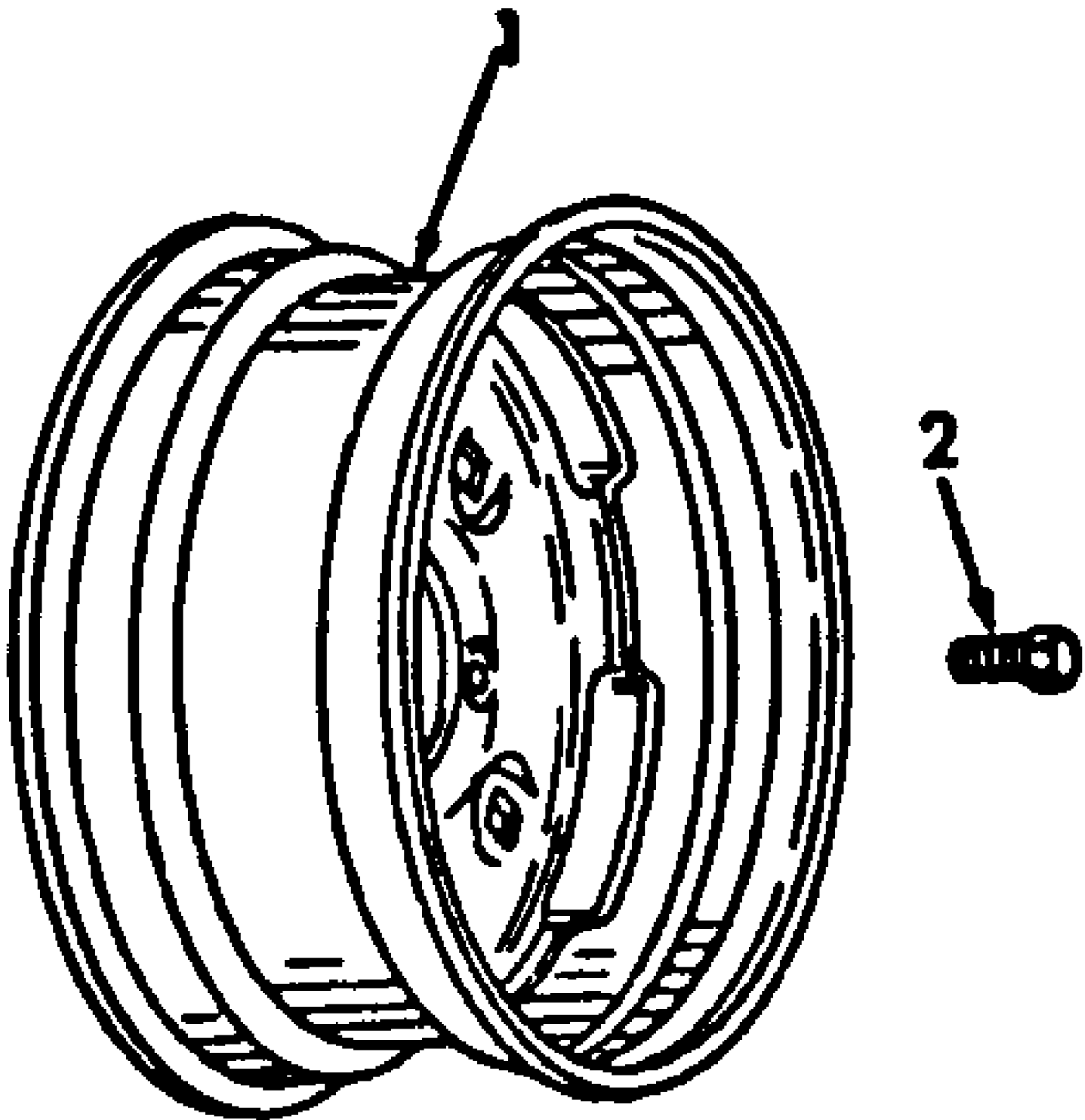
Ref #	Part Number	Qty	S/P/F	Description
1	703-0906	2	/P	Carrier Assy, Rear Axle (Includes Ref No. 2 and 3)
	736-0213	8	/P	Washer, 3/8 ID Belleville
	736-0169	4	S	Washer, 3/8 Lock
	710-3116	4	/P	Bolt, 3/8 X 2-1/2 Type 5 (Replaces IH-107064-C1)
	710-3115	4	/P	Bolt, 3/8 X 3 Type 8 (Replaces IH-107065-C1)
	710-3011	4	/P	Bolt, 3/8 X 2-1/4 Type 5 (Replaces IH-107063-C1)
2	741-0363	2	S	Bearing, Needle
3	721-0187	2	S	Seal, Oil
4	721-3014	2	/P	Gasket, Carrier
5	703-0907	2		Axle, Rear (Includes Ref No. 6 & 7)
6	703-0908B	2		Disc, Brake
7	710-0852	10	/P	Bolt, Lug
8	716-0136	2	/P	E-Ring, .668 Ext Ret

1512, 882, 782-Diesel  
Rear Wheel Weights



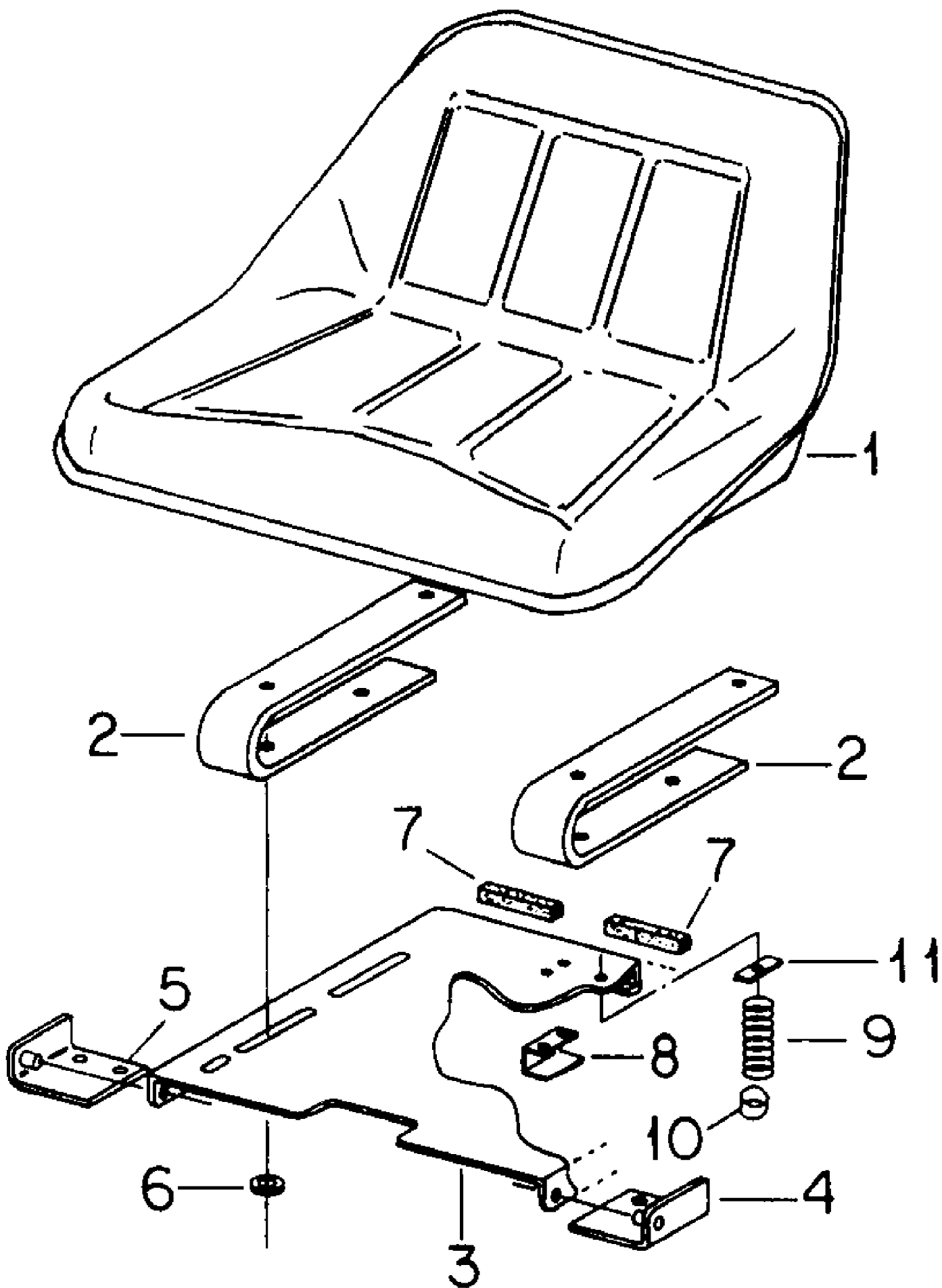
1512, 882, 782-Diesel  
Rear Wheel Weights

Ref #	Part Number	Qty	S/P/F	Description
1	703-0396	2		Weight, Rear Wheel (Approx 75 Lbs)
	712-0206	12	S	Nut, 1/2 Type 5
	736-0921	8	S	Washer, 1/2 Lock
	736-0272	6	S	Washer, 531 X 1.062 X .074



1512, 882, 782-Diesel  
Rear Wheels

Ref #	Part Number	Qty	S/P/F	Description
1	734-3013	2	S	Wheel Assy, Rear w/8-1/2 JA-12 Rim for 23 X 10.50-12 Tire
2	712-3050	10	/P	Nut, 7/16-14 Lug
	734-0255	2	S	Valve, TR-413 Tubeless Type
	734-3009	2	/P	Cap, Hub
	IH-117255-C1	4	S	Clip, Hub Cap Spring



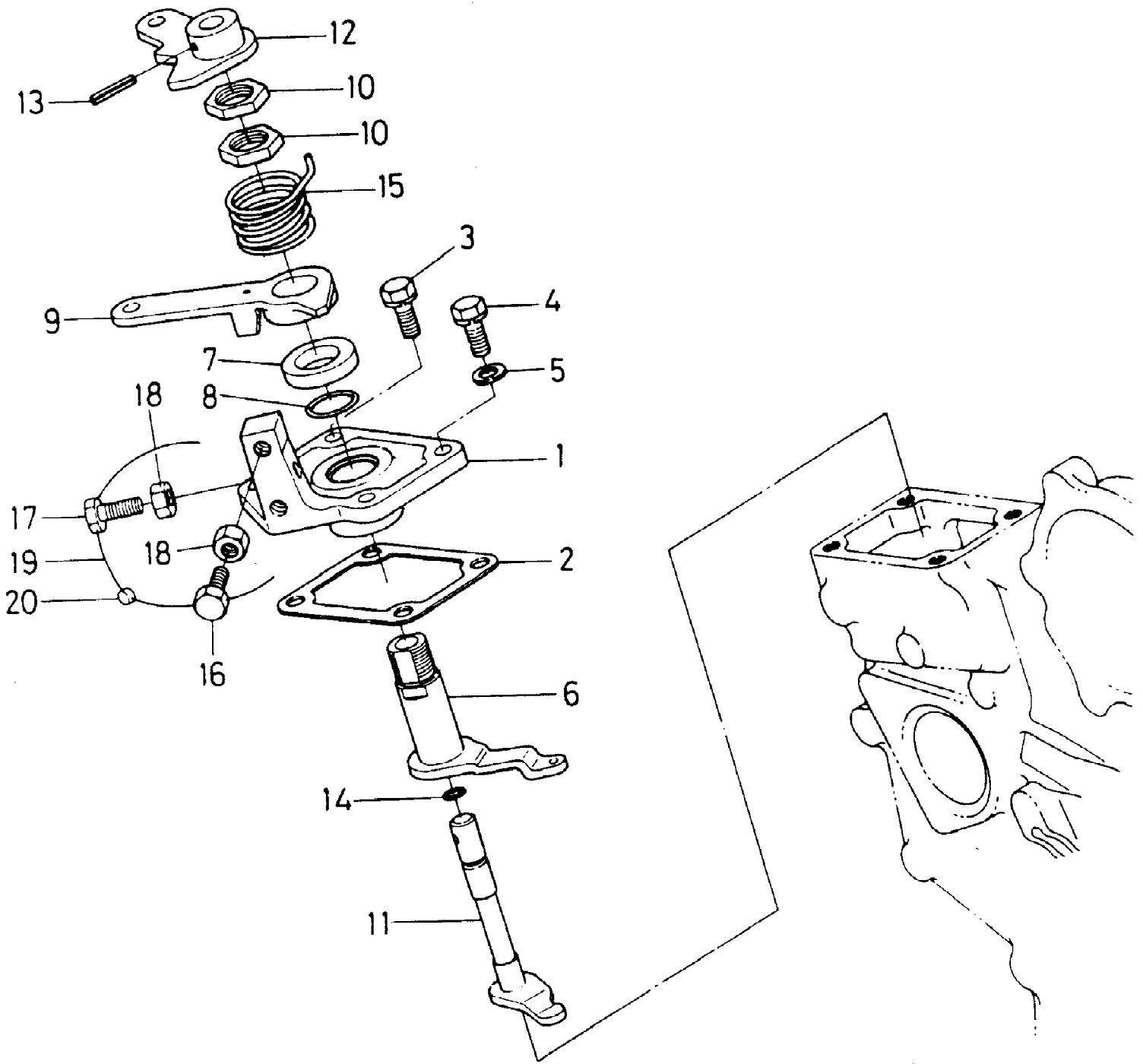


1512, 882, 782-Diesel  
Seat & Support

Page 117 of 135

Ref #	Part Number	Qty	S/P/F	Description
1	IH-1286674-C1	1		Seat Assy, w/Product Graphic
	777-9703	1		Product Graphic (Never Carry Children)
2	703-0068	2	/P	Spring, Seat
	710-0118	4	S	Bolt, 5/16 X 3/4 Type 5
3		1		Cover (Order Package 759-3065)
	710-0376	4	/P	Bolt, 5/16 X 1 Type 5
	736-3008	4	S	Washer, .344 X .750 X .105
	712-0267	4	S	Nut, 5/16 Type 5
	779-3296	1	/P	Product Graphic, Booster Battery
4	703-0070	1		Bracket Assy, Pivot, LH
	710-3000	2	S	Bolt, 3/8 X 3/4 Type 5
	736-0169	2	S	Washer, 3/8 Lock
5	703-0072	1		Bracket Assy, Pivot, RH
	710-3000	2	S	Bolt, 3/8 X 3/4 Type 5
	736-0169	2	S	Washer, 3/8 Lock
6	736-3070	4	/P	Washer, 11/32 X 1-1/2 X 11 Ga
7	735-3005	2		Bumper, Seat Support (Requires Adhesive, Loctite #495)
8		1		Not used in this application
9		1		Not used in this application
10		1		Not used in this application
11		1		Not used in this application
	759-3065	1		Package, Cover & Product Graphics (Replaces Cover IH-135600-C92)
	739-3005	2		Bumper
	779-3229	1		Product Graphic, Fuel Warning
	779-3296	1	/P	Product Graphic, Booster Battery
	703-0069	1		Cover, Battery Box

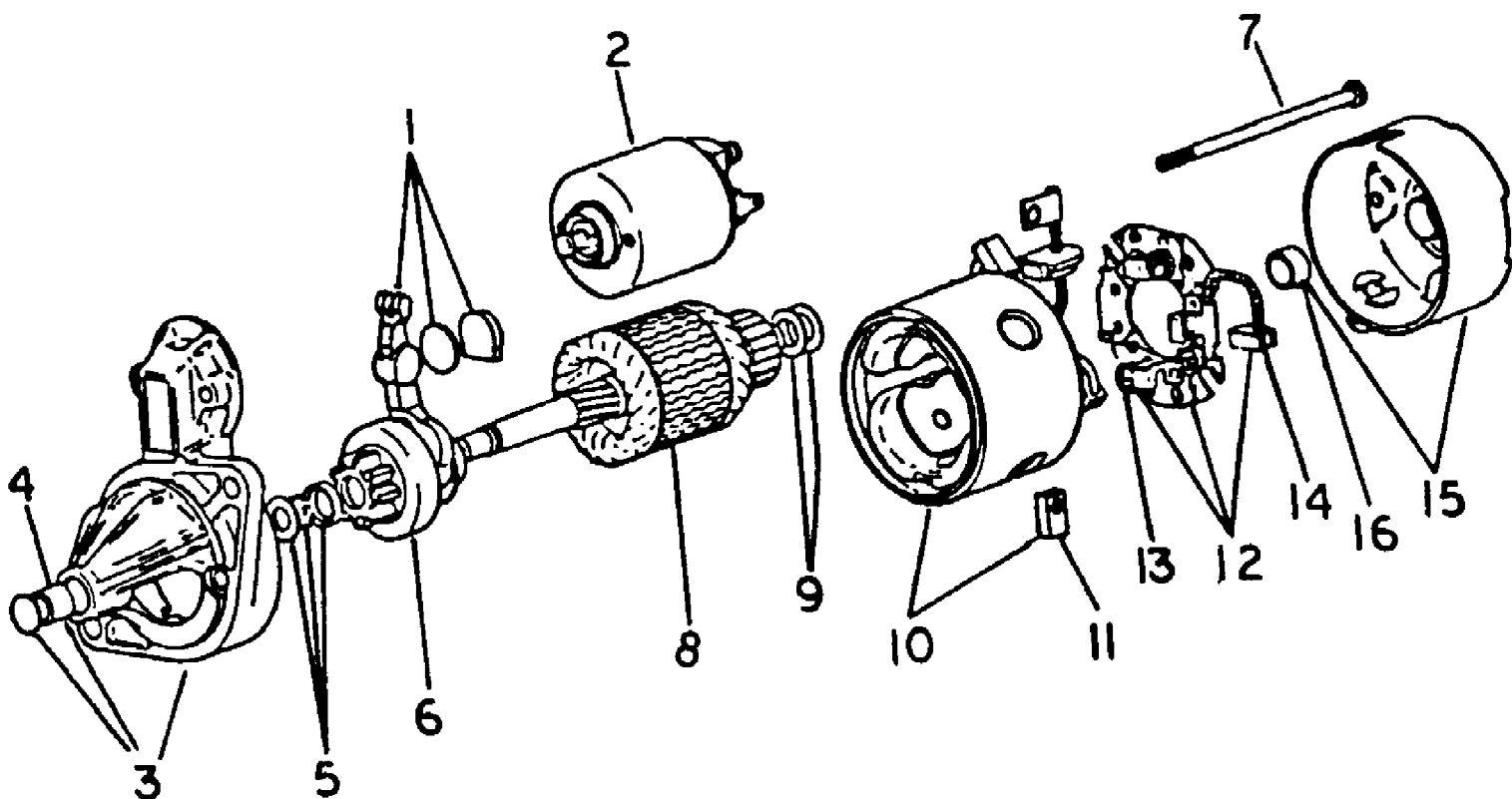
1512, 882, 782-Diesel  
Speed Control Plate



1512, 882, 782-Diesel  
Speed Control Plate

Page 119 of 135

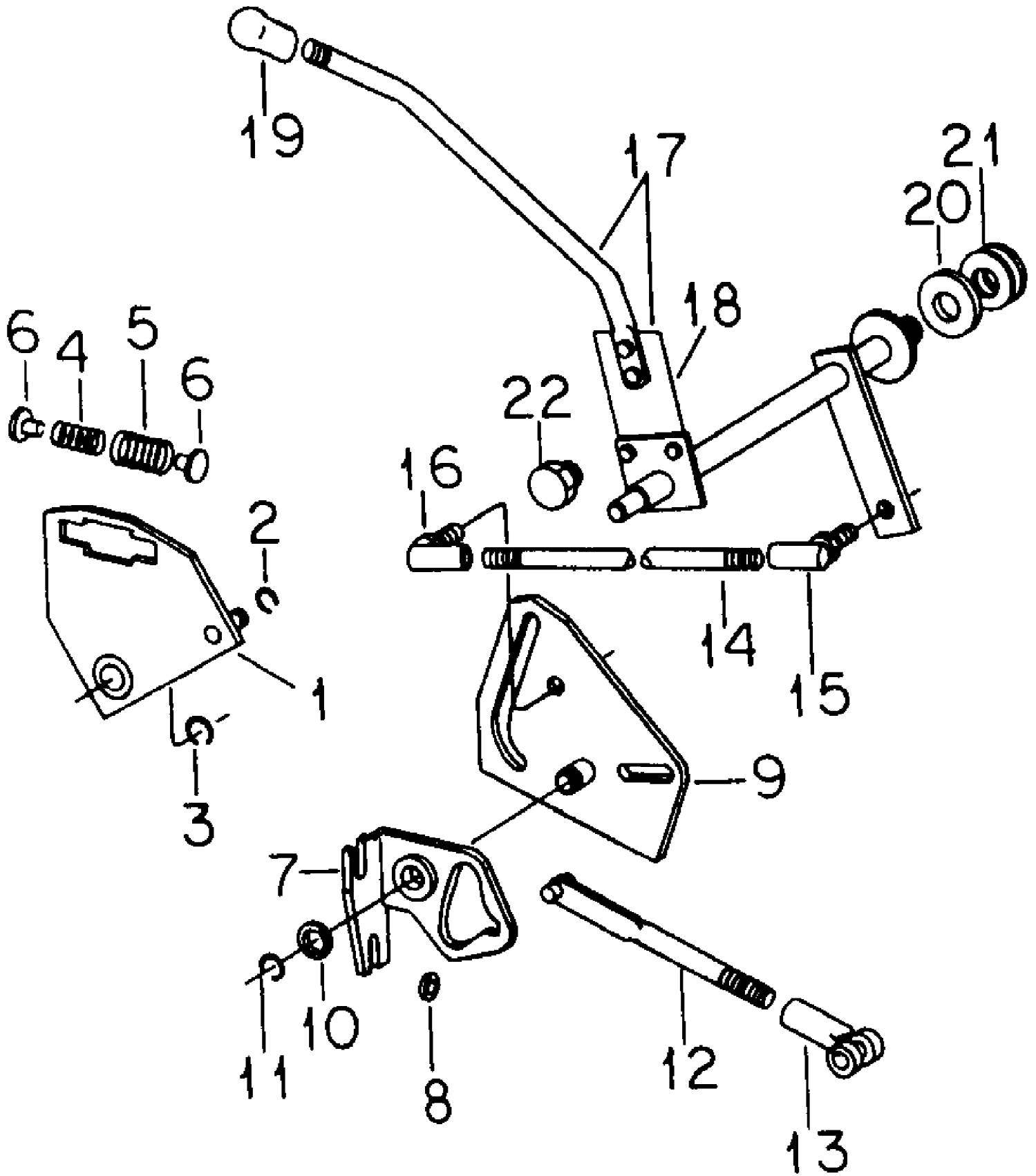
Ref #	Part Number	Qty	S/P/F	Description
1	KB-15841-57110	1	/P	Plate, Speed Control
2	KB-15841-57210	1	S	Plate, Speed Control
3	KB-01023-50618	2	/P	Bolt, M6 X 18-8.8 w/Washer
4	KB-01023-50618	2	/P	Bolt, M6 X 18-8.8
5	KB-15601-96650	2	/P	Washer
6	KB-15841-56110	1	/P	Lever, Governor
7	KB-15841-57240	1		Collar
8	KB-04811-10160	1	/P	O-Ring, 5/8 X 3/4
9	KB-15841-57150	1	S	Lever, Speed Control
10	KB-15841-92010	2		Nut
11	KB-15841-57740	1		Shaft, Lever
12	KB-15841-57720	1	S	Lever, Engine Stop
13	KB-05411-00318	1		Pin, 3 X 10MM Pln Slit-Spr
14	KB-04811-10070	1	/P	O-Ring, 5/32 X 9/32
15	KB-15841-57920	1	/P	Spring, Return
16	KB-15108-57280	2		Stop
17	KB-19202-91010	1		Bolt
18	KB-02056-50060	3		Nut, M6 Znd Class 8
19		1		Not Serviced Separately
20		1		Not Serviced Separately



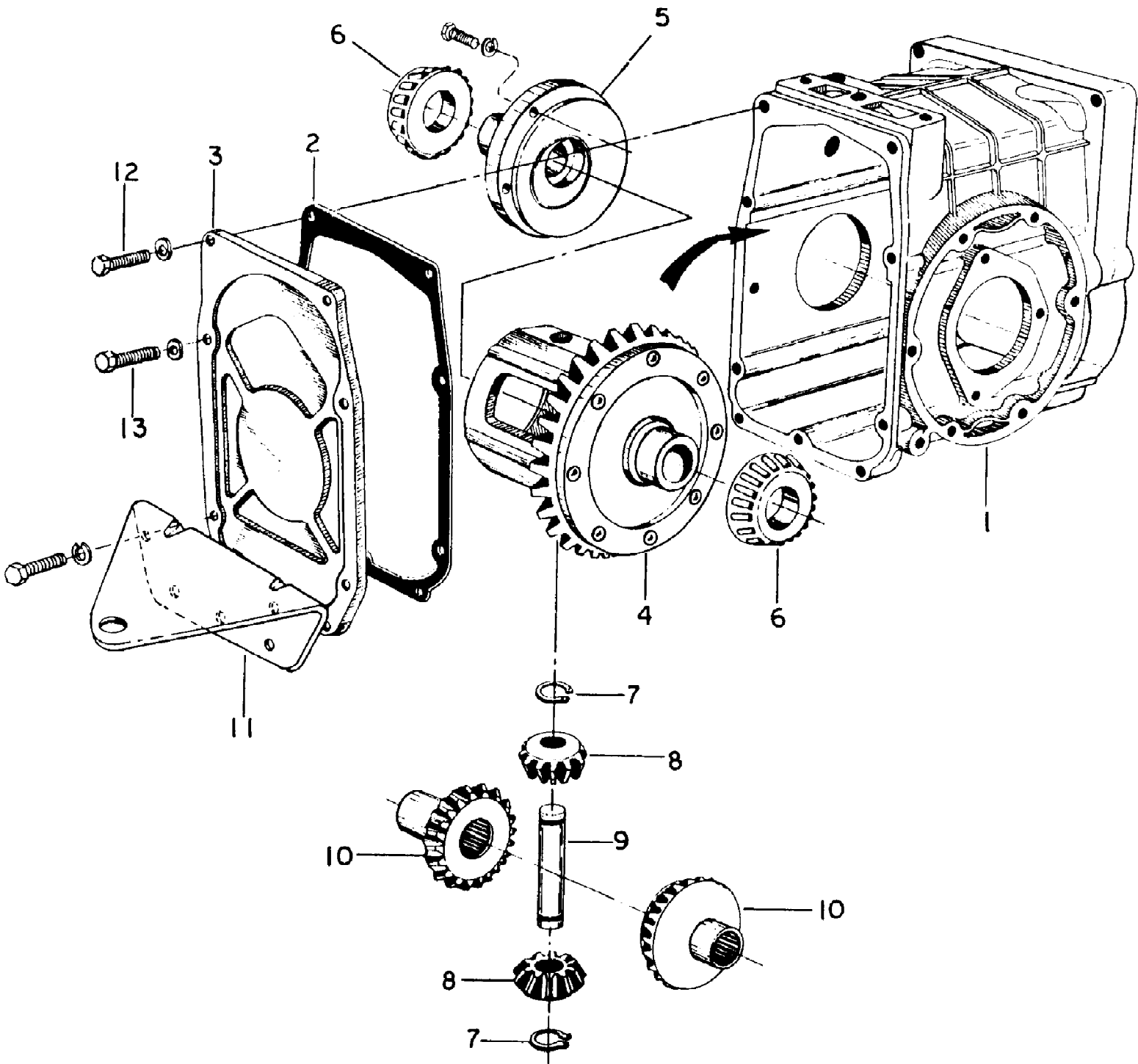
1512, 882, 782-Diesel  
Starter Assembly

Page 121 of 135

Ref #	Part Number	Qty	S/P/F	Description
	KB-15852-63010	1	/P	Starter Assembly
1	KB-15852-63050	1		Lever, Drive
2	KB-15852-63020	1	/P	Switch, Magnetic
3	KB-15852-63030	1		Frame, Drive End (Includes Ref No. 4)
4	KB-15852-63240	1		Bushing
5	KB-19837-63150	1		Stopper
6	KB-15852-63040	1	/P	Clutch
7	IH-83689-C1	2		Bolt
8	KB-15852-63070	1		Armature
9	KB-15852-63410	1	/P	Washer, Adjusting
10	KB-15852-63080	1		Yoke (Includes Ref No. 11)
11	KB-15852-63360	2		Brush
12	KB-15852-63380	1	/P	Holder Assy, Brush (Includes Ref No. 13 & 14)
13	KB-15852-63390	3	/P	Spring, Brush
14	KB-15852-63370	1		Brush
15	KB-15852-63200	1		End Assy, Frame (Includes Ref No. 16)
16	KB-15852-63250	1		Bushing
	IH-83694-C1	1		Kit, Brush (Includes Ref No. 11, 14 & 16)
	IH-83695-C1	1		Kit, Starter Bearing (Includes Ref No. 4, 5, 9 & 16)



Ref #	Part Number	Qty	S/P/F	Description
1	703-0194	1	S	Plate Assy, Damper Spring
2	716-3000	1	S	Ring, Retaining
3	716-0115	1	S	Ring, Retaining
4	732-3012	1	S	Spring, Damper LT
5	732-3013	1	S	Spring, Damper HV
6	711-3033	2	S	Pin, Damper Spring Guide
7	703-0196	1		Bracket Assy, Cam Pivot
	710-0520	2	/P	Bolt, 3/8 X 1-1/2 Pln Type 5
8	736-0267	2	S	Washer, .406 X .812 X .065
9	703-0198	1	S	Cam Assy, Control
10	IH-394049-R1	1	S	Washer, Cam Retaining
11	716-0865	1	/P	Ring, Cam Retaining
12	703-0200	1	/P	Rod Assy, Control
13	719-3013	1	/P	Clevis, 3/8 Rod End
	736-0140	1	S	Washer, .406 X .812 X .051
	IH-46883-H	1	S	Pin, 3/8 X 1.562 Pln Clevis
	714-0507	1	S	Pin, 3/32 X 3/4 Cot
	712-3001	1	S	Nut, 3/8-NF Pln Jam Type 5
14	747-3018	1		Stud, Connecting
15	723-3011	1	S	Joint, 5/16-24 Znd Ball
	736-0119	1	S	Nut, 5/16-NF Type 5
16	723-3012	1	S	Joint, 5/16-24 Znd Ball
	712-0237	2	S	Nut, 5/16-NF Cad P/T Lock Type 8
17	703-0201	1	/P	Shaft Assy, Cross
18		1		Spring, Flat (Order 703-0201)
19	720-3000	1	S	Knob, Control
20	723-3013	1	S	Disc, Friction
21	736-3022	3	S	Washer, Belleville
	712-3053	1	S	Nut, 1/2-NF Cad P/T Lock Type 5
22	710-3033	1		Bearing, Rockshaft
	712-3026	1	S	Nut, 3/4-NF Jam Type 5
	IH-131017	1		Washer, .812 X 1.469 X .108

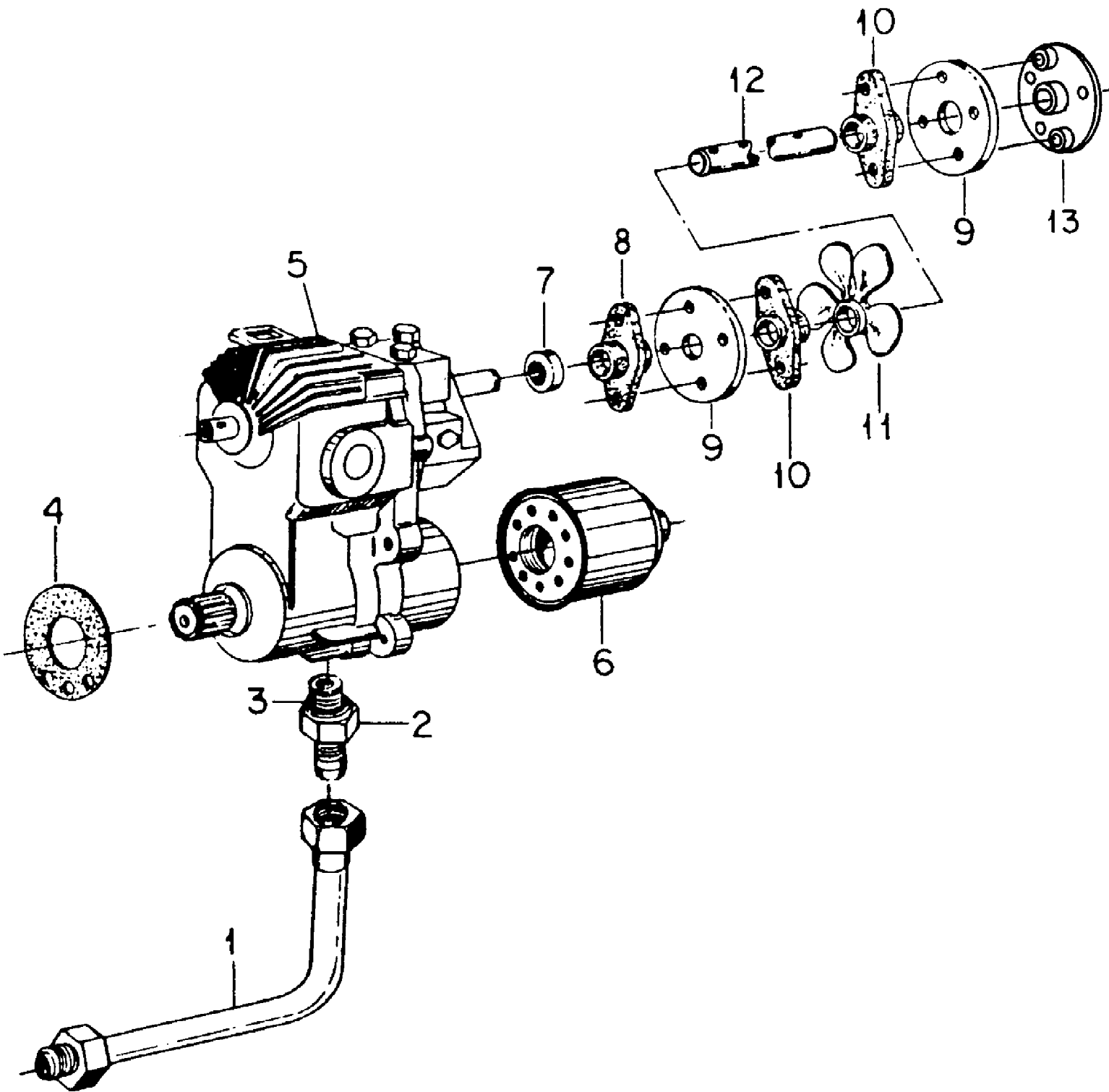




1512, 882, 782-Diesel  
Transmission-Differential

Page 125 of 135

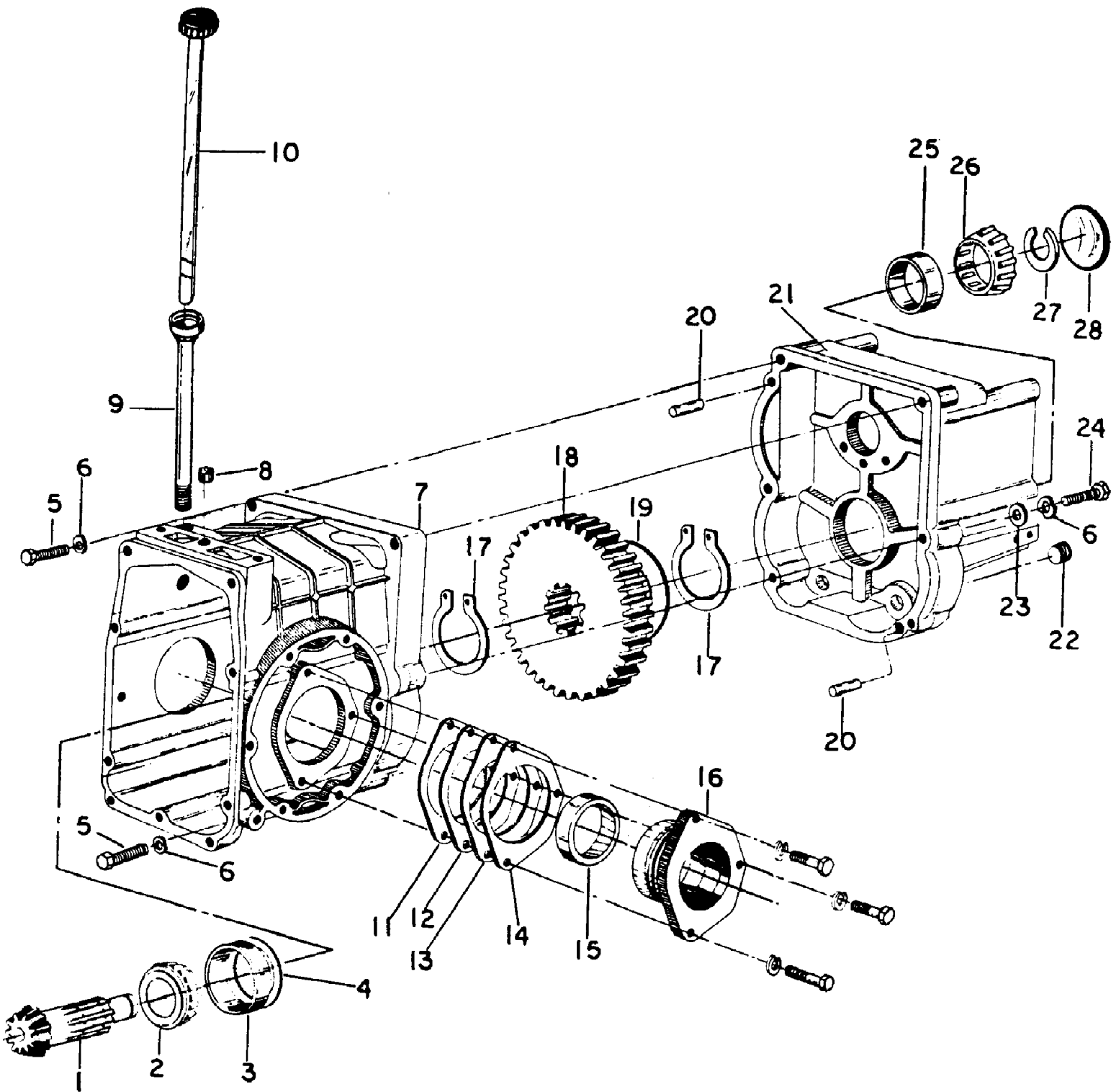
Ref #	Part Number	Qty	S/P/F	Description
1		1		Housing Assy, Rear w/Needle Bearing (See Parts Listing Headed Rear Housing and Gear Housing)
2	721-3015	1	S	Gasket, Rear Cover Plate
3	703-0905	1	/P	Plate, Rear Cover
4	717-3217	1	S	Gear Assy, Ring w/Case
5	717-3137	1		Plate, Diff Flange
	736-0119	4	S	Washer, 5/16 Lock
	710-0528	4	/P	Bolt, 5/16 X 1-1/4 Type 5
6	741-0369	2	/P	Bearing Assy, Differential Cone
7	IH-24937-R1	2		Ring, .616 Hvy Ext Ret
8	717-3113	2	/P	Pinion, Differential -10T
9	717-3133	1		Shaft, Cross
10	717-3112	2		Gear, Side -16T
11	703-0904	1	S	Drawbar, Fixed
	710-0514	5	/P	Bolt, 3/8 X 1 Type 5
	736-0169	5	S	Washer, 3/8 Lock
12	IH-24839-R1	2	S	Bolt, 3/8 X 5/8 Type 5
	736-0169	2	S	Washer, 3/8 Lock
13	710-3000	2	S	Bolt, 3/8 X 3/4 Type 5
	736-0169	2	S	Washer, 3/8 Lock



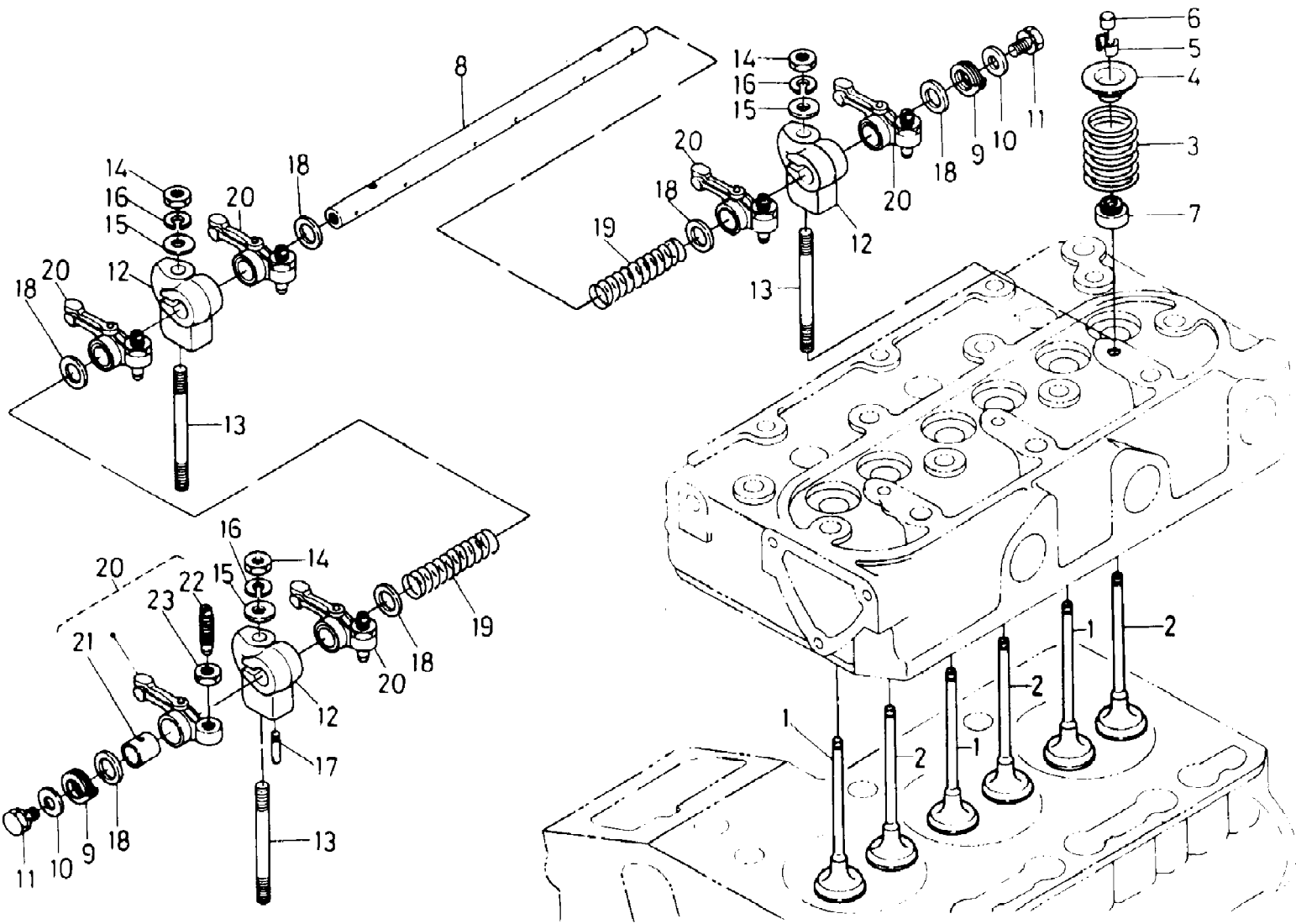
1512, 882, 782-Diesel  
Transmission-Hydrostatic Drive

Page 127 of 135

Ref #	Part Number	Qty	S/P/F	Description
1	727-3027	1		Tube Assy, Transmission
	IH-56446-D	1	S	Nut, 5/8 Tube
2	727-3009	1	/P	Connector, 5/8 C-Z Hyd Fld Short Swivel
3	721-3005	1	S	O-Ring, 5/8 OD Tube Class 6
4	721-3004	1	S	Gasket, Front
5	717-3033	1		Transmission, Hydrostatic (For Components See Listing of Parts Under Details of Hydrostatic Transmiss
	710-0520	4	/P	Bolt, 3/8 X 1-1/2 Type 5
6	723-3014	1	S	Filter, Oil
7	741-3004	1	S	Bushing, Self Aligning Ball
	715-3000	3	S	Pin, 1/4 X 1-3/8 Hvy Cld Spr
8	703-0794	1	S	Coupler, Drive Shaft
9	722-3000	4	/P	Disc, Flexible
10	748-3001	2	/P	Arm, Coupling
	710-3037	2	S	Bolt, 3/8 X 1-3/4 Type 5
	710-0520	4	/P	Bolt, 3/8 X 1-1/2 Type 5
11	731-3009	1	S	Fan, Cooling
	710-0460	1		Screw, #10 X 1-1/2 Znp P/Hdcr Mach
	736-0931	2	/P	Washer, .219 X .500 X .036
	712-0998	1	/P	Nut, No. 10 Cad P/T Lock Type 5
12	738-3051	1	/P	Shaft, Drive
13	703-1005A	1	S	Flange, Drive Shaft
	710-3034	2	/P	Bolt, 3/8 X 1-1/4 Crg Type 5
	736-0140	8	S	Washer, .406 X .812 X .051
	712-3000	8	S	Nut, 3/8 Cad P/T Lock Type 5
	710-3138	3	/P	Bolt, M8 X 16 Phc Class 8.8
	736-0119	3	S	Washer, 5/16 Lock



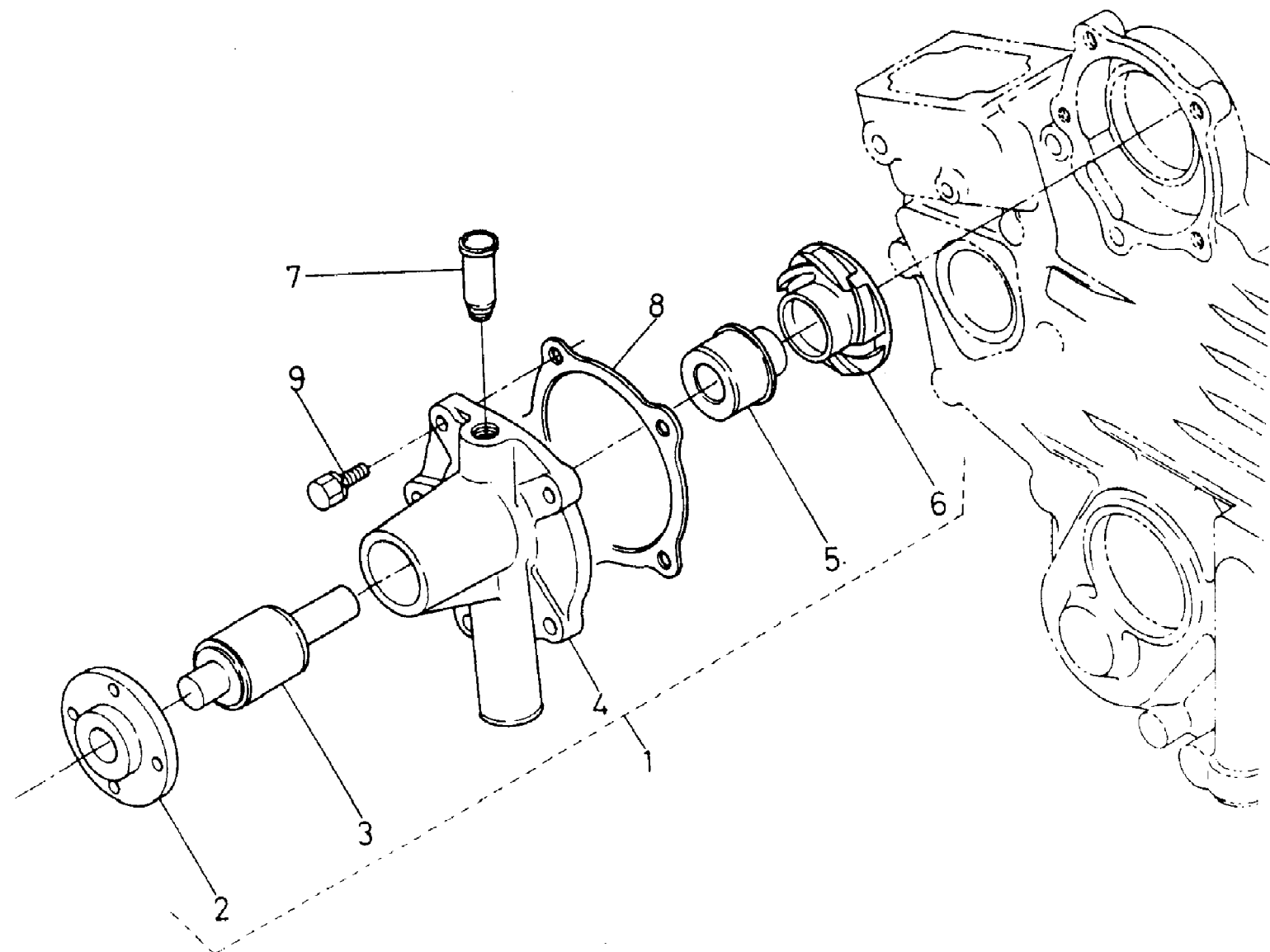
Ref #	Part Number	Qty	S/P/F	Description
1	717-3070	1	/P	Shaft, Bevel Pinion
2	741-0371	1		Bearing Assy, Pinion Shaft Rear Cone
3	741-0370	1		Bearing, Pinion Shaft Rear Cup
4	717-3123	2/AR		Shim, Rear Bearing Cup, .004
	717-3124	2/AR		Shim, Rear Bearing Cup, .015
	717-3125	2/AR	/P	Shim, Rear Bearing Cup, .007
5	710-0844	4		Bolt, 7/16 X 1-3/4 Type 5
6	736-0141	6	S	Washer, 7/16 ID Belleville
7	717-3204	1	S	Housing Assy, Rear
	723-3034	1		Fluid, Gasket Eliminator, 24 CC Tube
	723-3035	1		Fluid, Gasket Remover, 12 Oz Can
	723-3036	1		Fluid, Clean & Cure Primer, 6 Oz Can (Use With Eliminator 723-3034)
8	727-3025	1		Plug, Breather
9	727-3028	1	/P	Tube, Dipstick NOTE: Use Teflon Sealing Tape
10	703-0911	1	S	Dipstick Assy
	721-0194	1		O-Ring, 1 X 1-3/16 Class 5
	710-0473	1	/P	Screw, No. 10 X 1/2 P/Hdcr Tap
11	717-3097	3/AR	S	Shim, Bearing Retainer, .004
12	717-3098	4/AR	S	Shim, Bearing Retainer, .007
13	717-3099	2/AR	/P	Shim, Bearing Retainer, .0149
14	717-3100	2/AR	/P	Shim, Bearing Retainer, .0299
15	741-0400	2		Bearing, Cup
16	717-3203	2	S	Retainer, Bearing
	710-0514	6	/P	Bolt, 3/8 X 1 Pln Type 5
	736-0169	6	S	Washer, 3/8 Pln Lock
17	716-0138	2	/P	Ring, Retaining
18	717-3141	1	/P	Gear, Constant Mesh -66T
19	717-3146	1		Spacer, Pinion Shaft Gear
20	715-0146	2		Pin, 3/8 X 5/8 Dowel
21	717-3202	1		Housing, Adapter
	723-3034	1		Fluid, Gasket Eliminator, 24 CC Tube
	723-3035	1		Fluid, Gasket Remover, 12 Oz Can
	723-3036	1		Fluid, Clean & Cure Primer, 6 Oz Can (Use With Eliminator 723-3034)
22	737-0177	1	/P	Plug, 1/2-14 Pln H/Hd Pipe NOTE: Use Teflon Sealing Tape
23	736-0226	2	S	Washer, .438 X .875 X .064
24	710-0850	2		Bolt, 7/16 X 2-1/2 Type 5
25	741-0372	1	S	Bearing, Pinion Shaft Front Cup
26	741-0373	1	S	Bearing, Pinion Shaft Front Cone
27	717-3127	1/AR	/P	Ring, Front Bearing Retainer, .125
	717-3128	1/AR	S	Ring, Front Bearing Retainer, .119
	717-3129	1/AR	/P	Ring, Front Bearing Retainer, .113
	717-3130	1/AR	/P	Ring, Front Bearing Retainer, .107
	717-3131	1/AR	S	Ring, Front Bearing Retainer, .101
	717-3132	1/AR	/P	Ring, Front Bearing Retainer, .131
28	726-0216	1	/P	Plug, 2-1/8 Pln Expansion



1512, 882, 782-Diesel  
Valves & Rocker Arms

Page 131 of 135

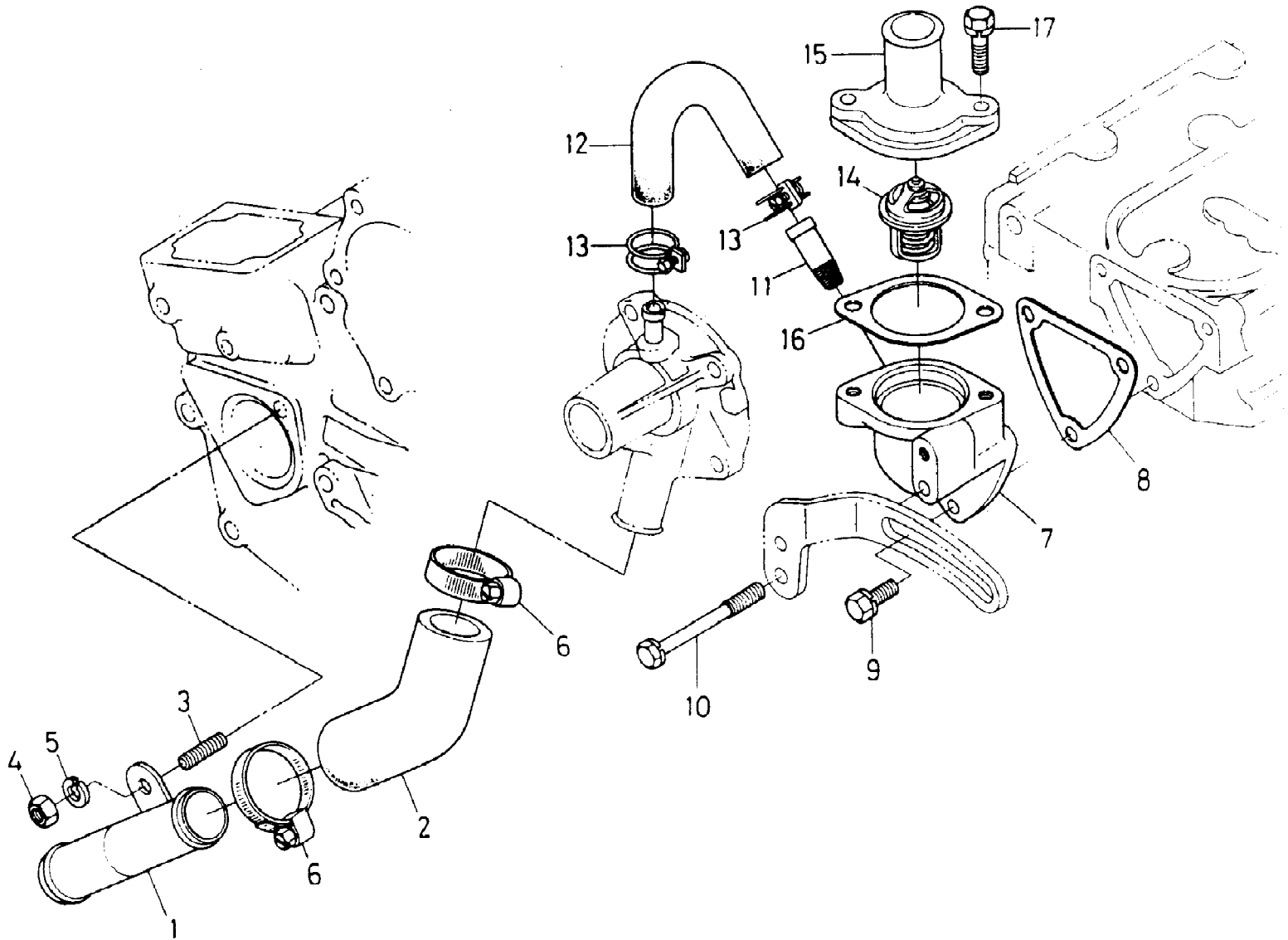
Ref #	Part Number	Qty	S/P/F	Description
1	KB-14601-13110	3	/P	Valve, Inlet
2	KB-14601-13120	3	/P	Valve, Exhaust
3	KB-14601-13240	6		Spring, Valve
4	KB-14601-13330	6		Retainer, Valve Spring
5	KB-14601-13360	6		Collar, Valve Spring
6	KB-14601-13280	6		Cap, Valve
7	KB-15841-13150	6	S	Seal, Valve Stem
8	KB-15861-14260	1		Shaft, Rocker Arm
9	KB-15841-14320	2		Spring
10	KB-15841-94020	2		Washer, Plain
11	KB-01023-50610	2		Bolt, M6 X 10 Class 8.8
	KB-04512-50060	5	S	Washer, 6MM Lock
12	KB-15841-14350	3		Support, Rocker Arm
13	KB-14601-14410	3		Stud
14	KB-02056-50060	3		Nut, M6 Znd Class 8
15	KB-04012-50060	3		Washer, Flat
16	KB-04512-50060	3	S	Washer, 6MM Lock
17	KB-14601-14420	1		Screw, Rocker Arm Shaft
18	KB-14601-14430	6		Washer, Rocker Arm Shaft
19	KB-14601-14310	2		Spring, Rocker Arm
20	KB-15841-14030	6		Arm Assy, Rocker (Includes Ref No. 21, 22 & 23)
21	KB-15841-14180	6		Bushing
22	KB-15841-14230	6		Screw, Adjusting
23	KB-14601-14240	6		Nut





1512, 882, 782-Diesel  
Water Pump

Ref #	Part Number	Qty	S/P/F	Description
1	KB-15841-73030	1	S	Pump Assy, Water (Includes Ref No. 2, 3, 4, 5 & 6)
2	KB-15531-73520	1		Flange, Water Pump
3	KB-15841-73550	1		Bearing
4		1		Not Serviced Separately
5	KB-15841-73050	1		Seal
6	KB-15841-73510	1		Impeller, Water Pump
7	KB-15531-73340	1	/P	Pipe, Water Return 1
8	KB-15841-73430	1	S	Gasket, Water Pump
9	KB-01023-50625	4	/P	Bolt, M6 X 25 Class 8.8
	KB-04512-50060	4	S	Washer, 6MM Lock



1512, 882, 782-Diesel  
Water Pump Hoses & Thermostat

Page 135 of 135

Ref #	Part Number	Qty	S/P/F	Description
1	KB-15841-72860	1	/P	Pipe, Water 2
2	KB-15841-72870	1	/P	Pipe, Water 3
3	KB-15841-91510	1		Stud
4	KB-02056-50060	1		Nut, M6 Znd Class 8
5	KB-04512-50060	1	S	Washer, 6MM Lock
6	726-3037	2		Clamp. No. 16 Type F Hose
7	KB-15841-72910	1	S	Housing, Thermostat
8	KB-15841-72920	1	S	Gasket
9	KB-01023-50616	2		Bolt, M6 X 16 Class 8.8
	KB-04512-50060	3	S	Washer, 6MM Lock
10	KB-15841-91040	1		Bolt
11	KB-15531-73340	1	/P	Pipe, Water Return 1
12	KB-15841-73350	1	/P	Pipe, Water Return 2
13	IH-274085-R91	2		Clamp, No. 10 Type F Hose
14	KB-15531-73010	1	/P	Thermostat
15	KB-15841-73260	1	/P	Cover, Thermostat
16	KB-15531-73270	1	S	Gasket, Thermostat
17	KB-01023-50622	2		Bolt