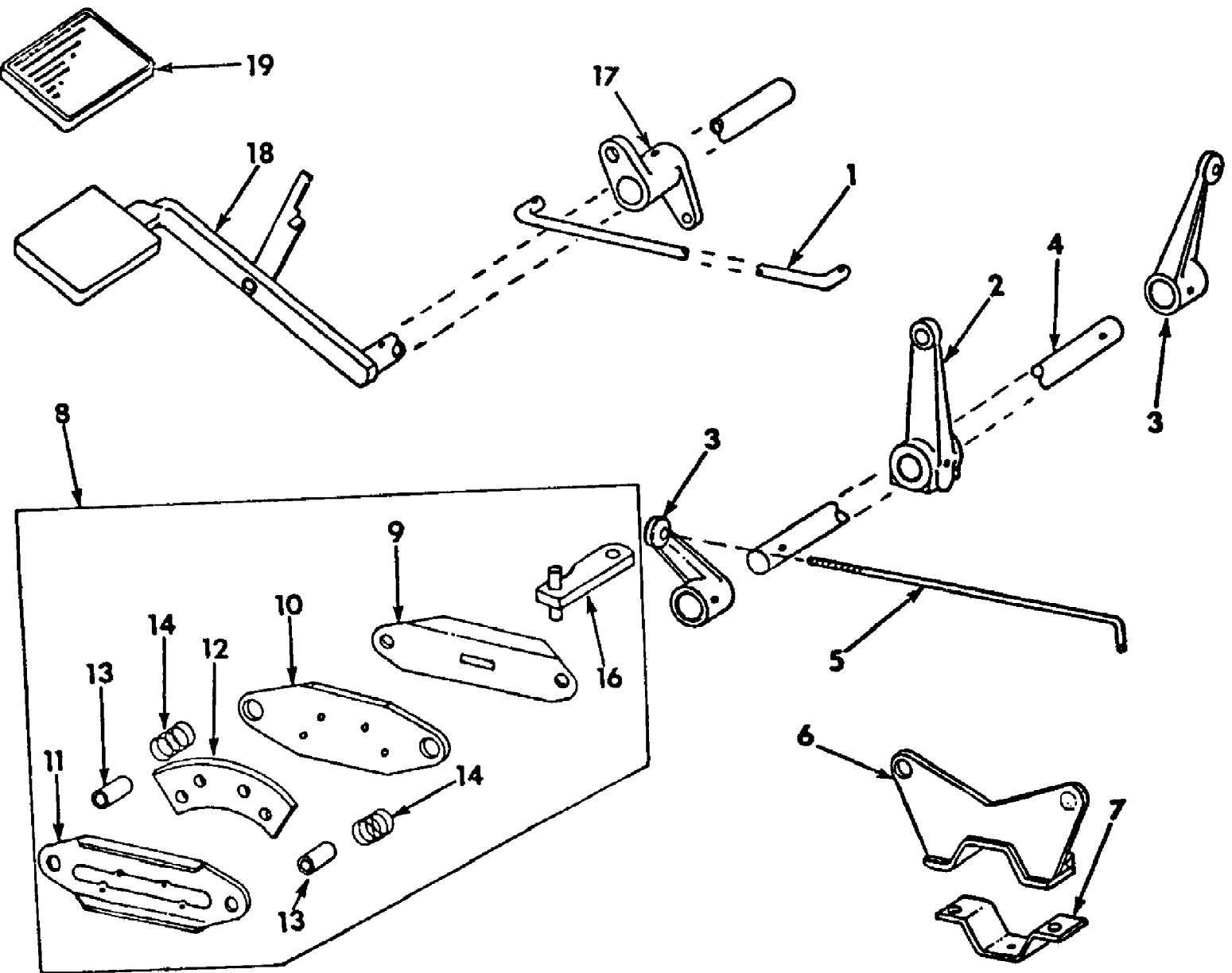
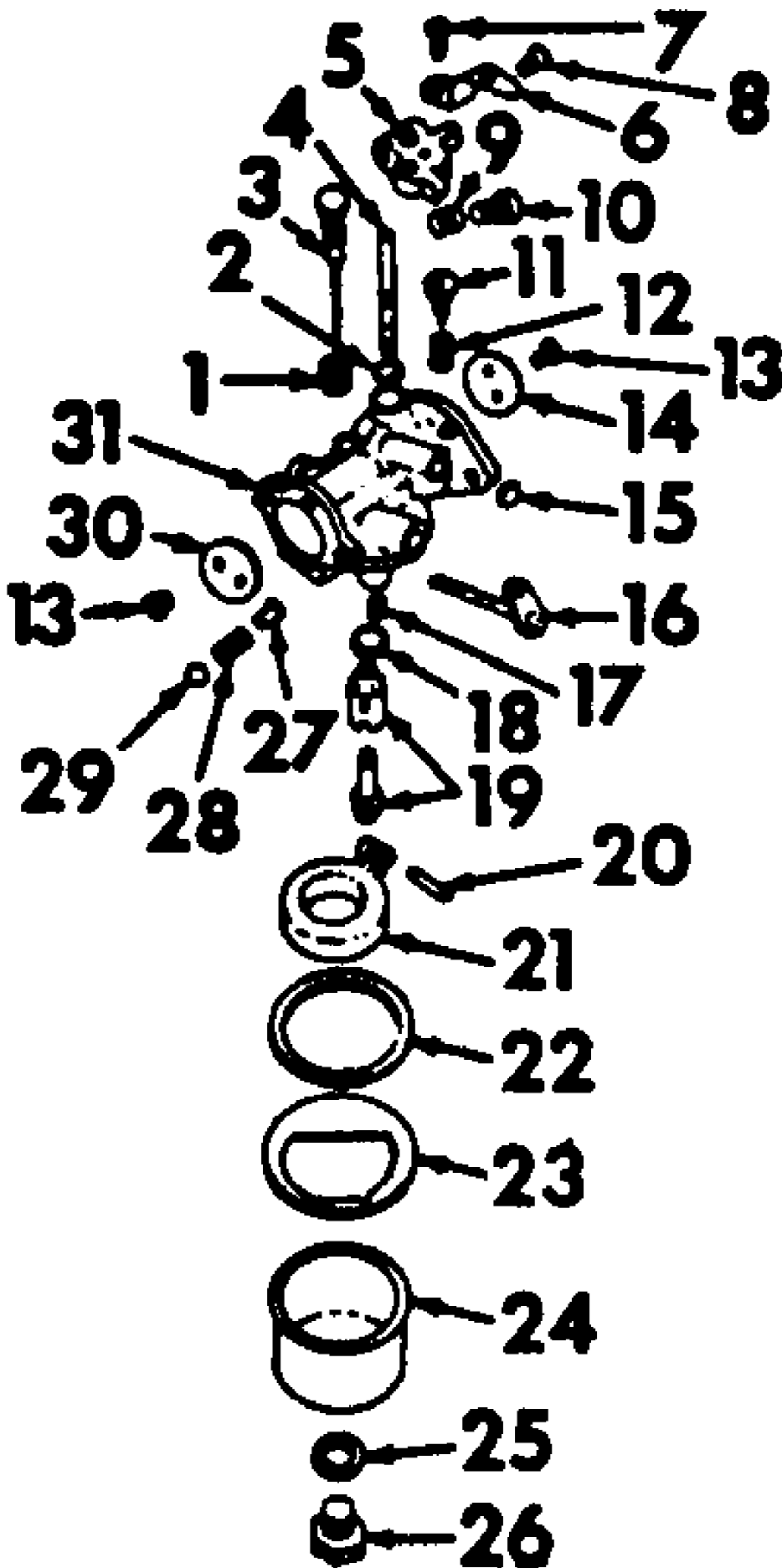


126
Battery & Holder

Ref #	Part Number	Qty	S/P/F	Description
1	IH-376294-R2	2		Bolt, Battery Hold Down
	KH-X-276-7	2	S	Nut, 1/4-20 Type A Wing
2	IH-376293-R2	1	S	Clamp, Battery Hold Down



Ref #	Part Number	Qty	S/P/F	Description
1	IH-384724-R1	1		Rod
	714-0507	2	S	Pin, 3/32 X 3/4 Cot
2	~NLA	1		Lever, Brake
3	IH-528630-R1	2		Arm, Brake
4	IH-528814-R1	1		Shaft, Brake Pivot
	IH-19479-R1	3		Pin, 1/4 X 2 Hv Coiled Spring
	IH-25708-R1	2	S	Washer, 11/32 X 3/4 X 16 Ga Flat
		4		Pin, 1/16 X 5/8 C-Z Cot Common Hardware Purchase Locally
	IH-124824	4		Nut, 5/16-18 C-Z Hex Jam
5	IH-528817-R1	2		Rod, Brake
6	719-3014	2		Bracket Assy, Caliper
7	703-0222	2		Flange, Caliper Mounting
		4		Screw, 3/8-16 X 1-1/4 Cdp Hex Hd Cap Common Hardware Purchase Locally
	736-0169	4	S	Washer, 3/8 C-Z Med Lock
8	IH-57953-C91	2	S	Caliper Assy, Brake (Consists of Ref No. 9 thru 16)
9	IH-530673-R1	2		Plate, Actuator Cam
10	IH-530675-R1	2		Carrier, Flat Rib
11	~NLA	2		Carrier, Rib Plate
12		1		Liner, Brake (Order liner kit IH-544835-R91)
	IH-24699-R1	16		Rivet, 9/64 X 7/16 Fl Hd Tubular Brass
13	IH-528823-R1	4		Bushing, Caliper
		4		Screw, 3/8-24 Unf-2A Znd Mach Common Hardware Purchase Locally
		4		Nut, 3/8-24 Unf-3B Hex Lock Common Hardware Purchase Locally
14	IH-530678-R1	4		Spring, Compression
16	IH-531636-R1	2		Lever, Cam
17	~NLA	1		Arm, Release
	715-3018	2	S	Pin, 1/4 X 1-3/8 Med Coiled Spring
18	~NLA	1		Pedal Assy, Clutch & Brake
19	724-3000	1	S	Pad, Pedal
	IH-544835-R91	1		Liner Kit Liner Rivet Spring Consist of 4 Liner, 16 Rivet, 4 Spring



126
Carburetor

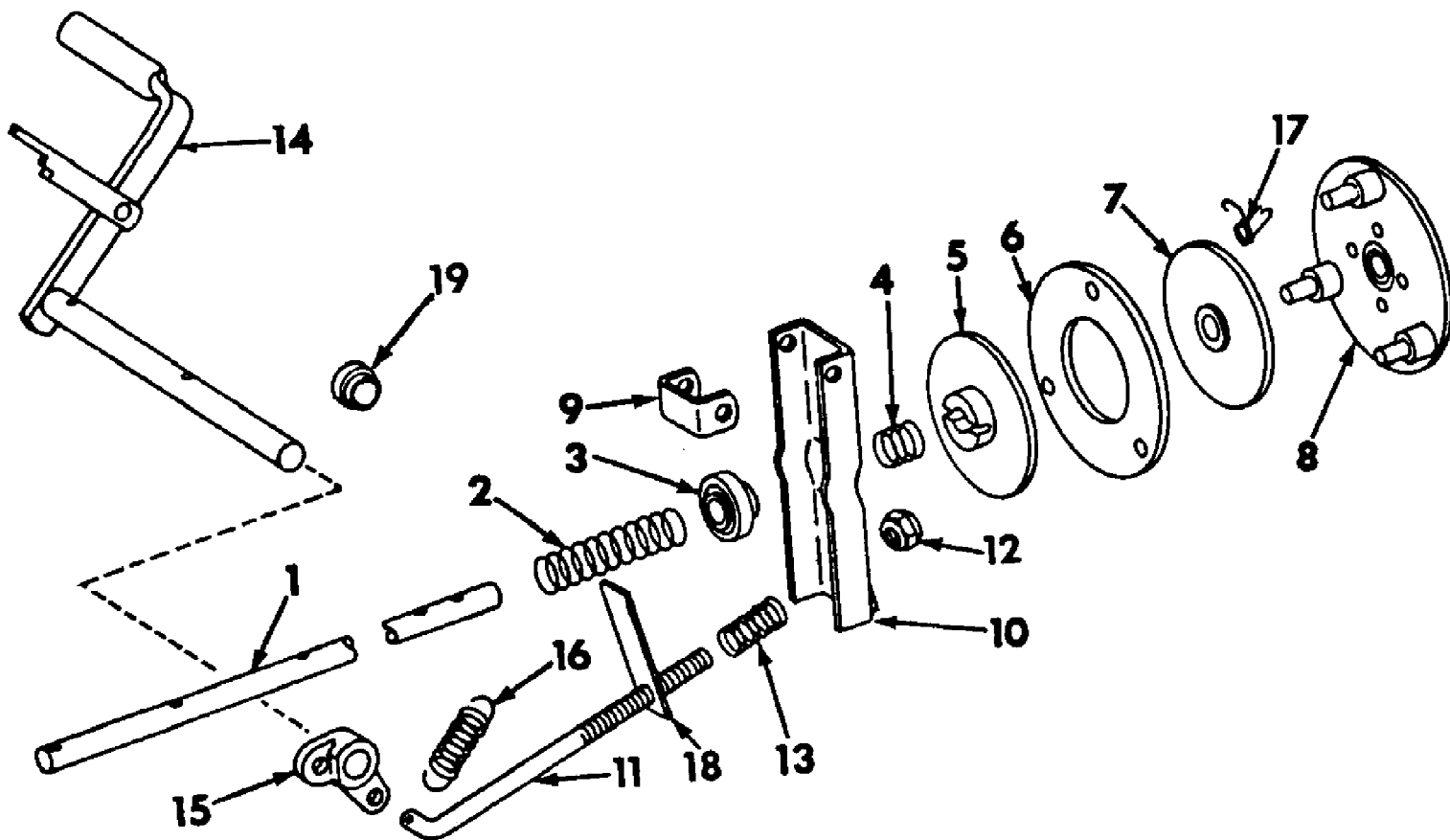
Page 6 of 70

Ref #	Part Number	Qty	S/P/F	Description
	KH-47-853-22	1	/P	Carburetor Assy
1	KH-200383	1	/P	Spring, High Speed Needle
2		1		Seal, Throttle Shaft Dust (Furnish complete Carburetor Assy)
3	KH-235415	1	/P	Needle Assy, High Speed
4		1		Shaft, Throttle (Furnish complete Carburetor Assy)
5		1		Dog Assy, Throttle Shaft (Furnish complete Carburetor Assy)
6	KH-275228	1		Lever, Throttle (Furnish complete Carburetor Assy)
7		1		Screw w/Washer, Throttle Lever (Furnish complete Carburetor Assy)
8		1		Screw, 8-32 X 1/2 Slit Fil Hd Mach Common Hardware Purchase Locally
9	KH-200380	1		Spring, Throttle Lever
10		1		Screw, Throttle Adjusting
11	KH-235006	1	S	Screw, Idle Adjusting
12	KH-200380	1		Spring, Idle Adjusting Screw
13		4		Screw, Choke & Throttle Valve (Furnish complete Carburetor Assy)
14		1		Valve Assy, Throttle (Furnish complete Carburetor Assy)
15		1		Plug, 3/8 Aluminum Expansion (Furnish complete Carburetor Assy)
16		1		Shaft & Lever Assy, Choke (Furnish complete Carburetor Assy)
17		1		Nozzle, High Speed Needle (Furnish complete Carburetor Assy)
18		1		Gasket, Needle Seat (Furnish Repair Kit KH-25-757-01)
19		1		Needle & Seat Assy w/Spring (Furnish Repair Kit KH-25-757-01)
20	KH-200376	1	/P	Pin, Float & Lever
21	KH-25-757-03	1	S	Float & Lever Assy
22	KH-200375	1	/P	Gasket, Fuel Bowl Ring
23	KH-25-041-02	1	/P	Gasket, Fuel Bowl
24	KH-235448	1	/P	Bowl, Fuel
25		1		Gasket, Fuel Bowl Screw (Furnish Repair Kit KH-25-757-01)
26	KH-47-100-06	1	S	Screw, Fuel Bowl
27		1		Plug, Idle Passage Rivet (Furnish complete Carburetor Assy)
28		1		Spring, Choke Shaft (Furnish complete Carburetor Assy)

126
Carburetor

Ref #	Part Number	Qty	S/P/F	Description
29		1		Ball, Choke Shaft (Furnish complete Carburetor Assy)
30		1		Valve Assy, Choke (Furnish complete Carburetor Assy)
31		1		Body, Carburetor (Order Carburetor Assy)
	KH-25-757-01	1	/P	Kit, Carburetor Repair (Consists of Ref No. 19, 20, 22, 23 & 25)

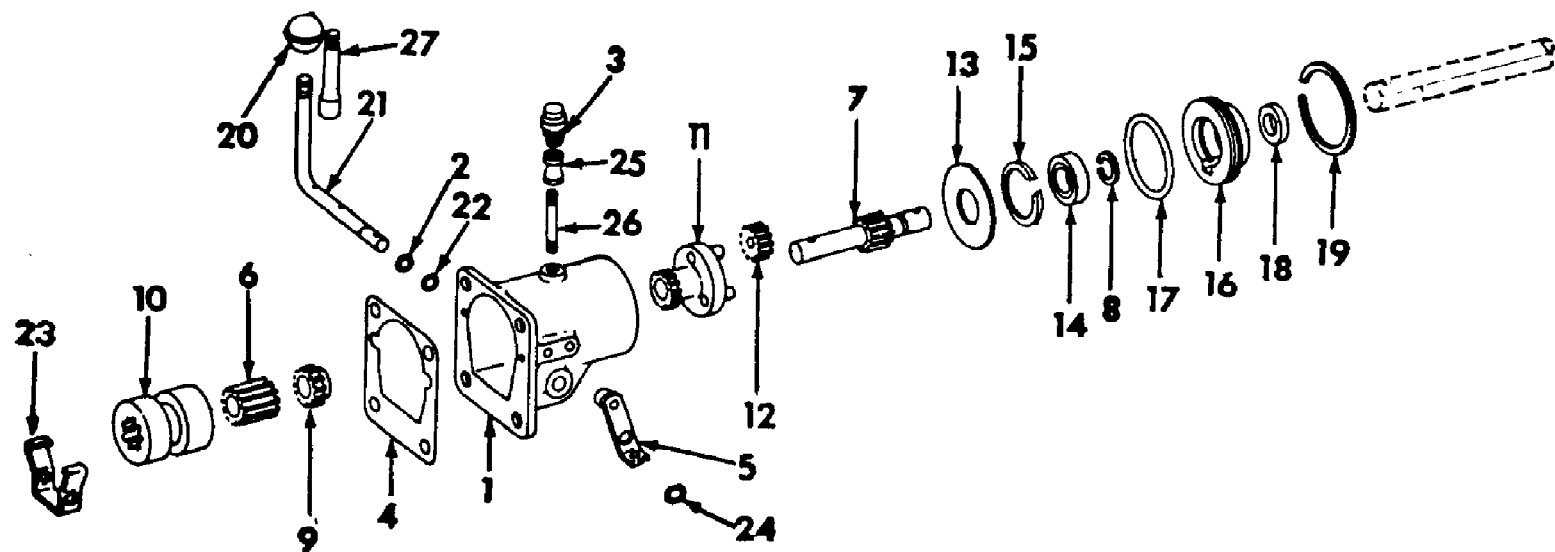
126
Clutch



126
Clutch

Page 9 of 70

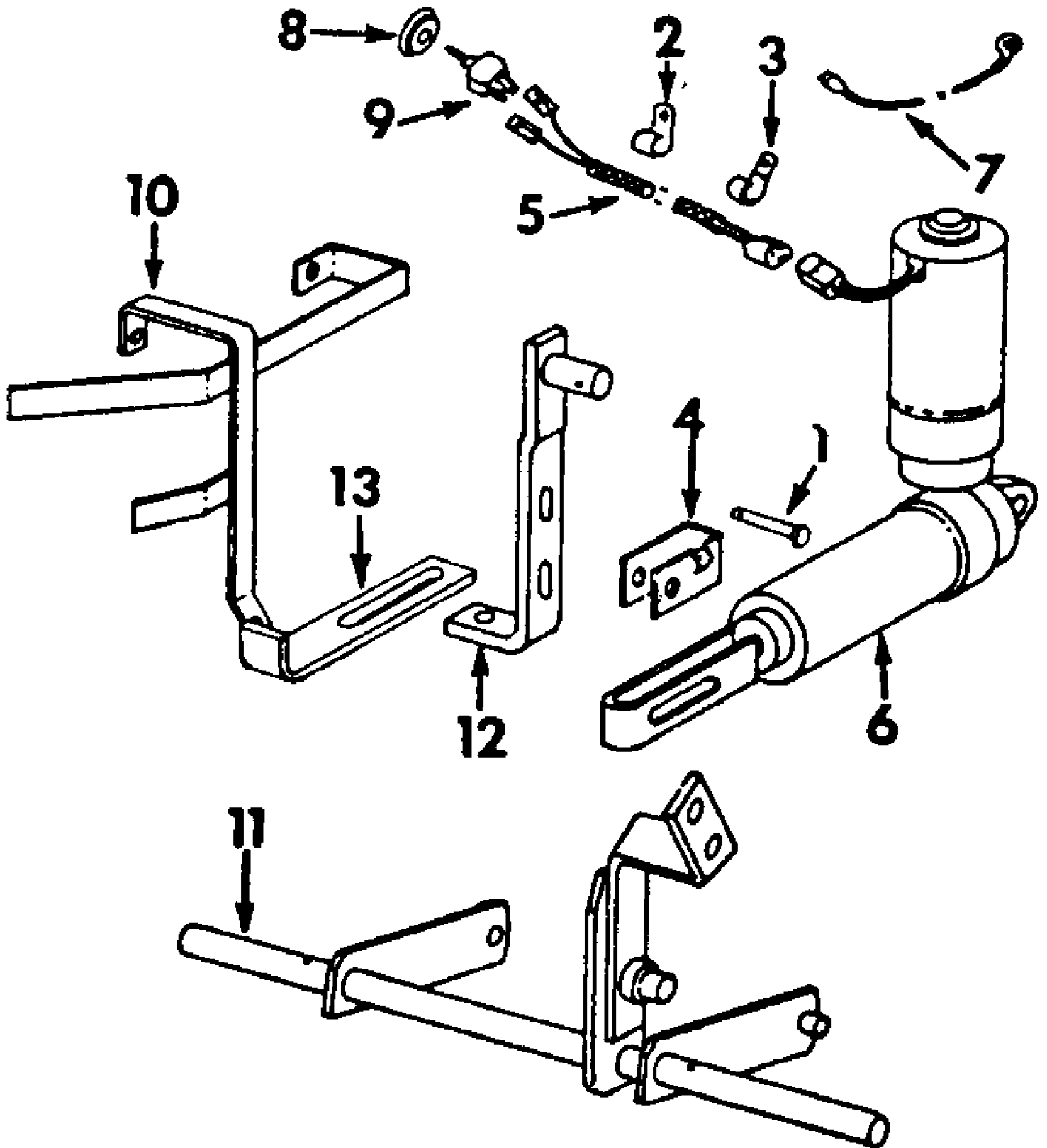
Ref #	Part Number	Qty	S/P/F	Description
1	IH-385982-R91	1	/P	Package, Clutch Shaft Service
	715-3014	1	S	Pin, 1/4 X 1-1/8 Hv Coiled Spring
2	732-3016	1	S	Spring, Clutch Loading
	736-0156	2	/P	Washer, 21/32 X 1 X 11 Ga
3	IH-391237-R91	1	S	Bearing, Clutch Throwout Ball
4	732-3017	1	S	Spring, Clutch Teasing
5	703-0213	1	S	Hub Assy, Pressure Plate
6	761-3002	1	S	Disc, Clutch Driving
7	703-0214	1	S	Hub Assy, Pressure Plate Locating
	715-0114A	2	S	Pin, 1/4 X 1-1/2 Hv Coiled Spring
	715-3018	2	S	Pin, 1/4 X 1-3/8 Med Coiled Spring
8	IH-384652-R11	1	S	Plate Assy, Driving
	IH-376265-R1	1	S	Bushing
		4		Screw, 1/4-20 X 5/8 Hex Hd Cap Common Hardware Purchase Locally
		4		Washer, 1/4 Med Lock Common Hardware Purchase Locally
9	IH-384656-R1	1	S	Bracket, Clutch Operating Yoke
		2		Nut, 1/4-20 Hex Common Hardware Purchase Locally
	710-3015	2	/P	Screw, 1/4-20 X 3/4 C-Z Hex Hd Cap
10	IH-384657-R3	1	S	Lever, Clutch Release
	711-0755	1	S	Pin, 3/8 X 2-7/16 Hardened Std-Hd
	714-0474	1	S	Pin, 1/8 X 3/4 Cot
11	IH-405590-R1	1		Rod, Release
	736-0140	1	S	Washer, 13/32 X 3/4 X 16 Ga C-Z
	714-0474	1	S	Pin, 1/8 X 3/4 C-Z Cot
12	712-3061	1	S	Nut, 3/8-24 Cdp Prevailing Torque Hex Lock
13	732-3023	1	S	Spring, Clutch Release Rod
	IH-103341	1		Washer, 13/32 X 13/16 X .065
14	~NLA	1		Pedal Assy, Clutch & Brake
15	~NLA	1		Arm, Clutch & Brake Pedal
	715-3018	2	S	Pin, 1/4 X 1-3/8 Med Coiled Spring
16	732-3015	1	S	Spring, Pedal Return
17	732-3018	AR	S	Spring, Clutch Driving Disc
18	IH-393123-R1	1		Strip, Safety Switch Release Lever (Tractors w/electric starter)
	712-3001	2	S	Nut, 3/8-24 Hex Jam
	736-0148	2	/P	Washer, 3/8 Ext Tooth Lock
19	~NLA	2		Bearing, Clutch Pedal Shaft



126
Creeper Drive

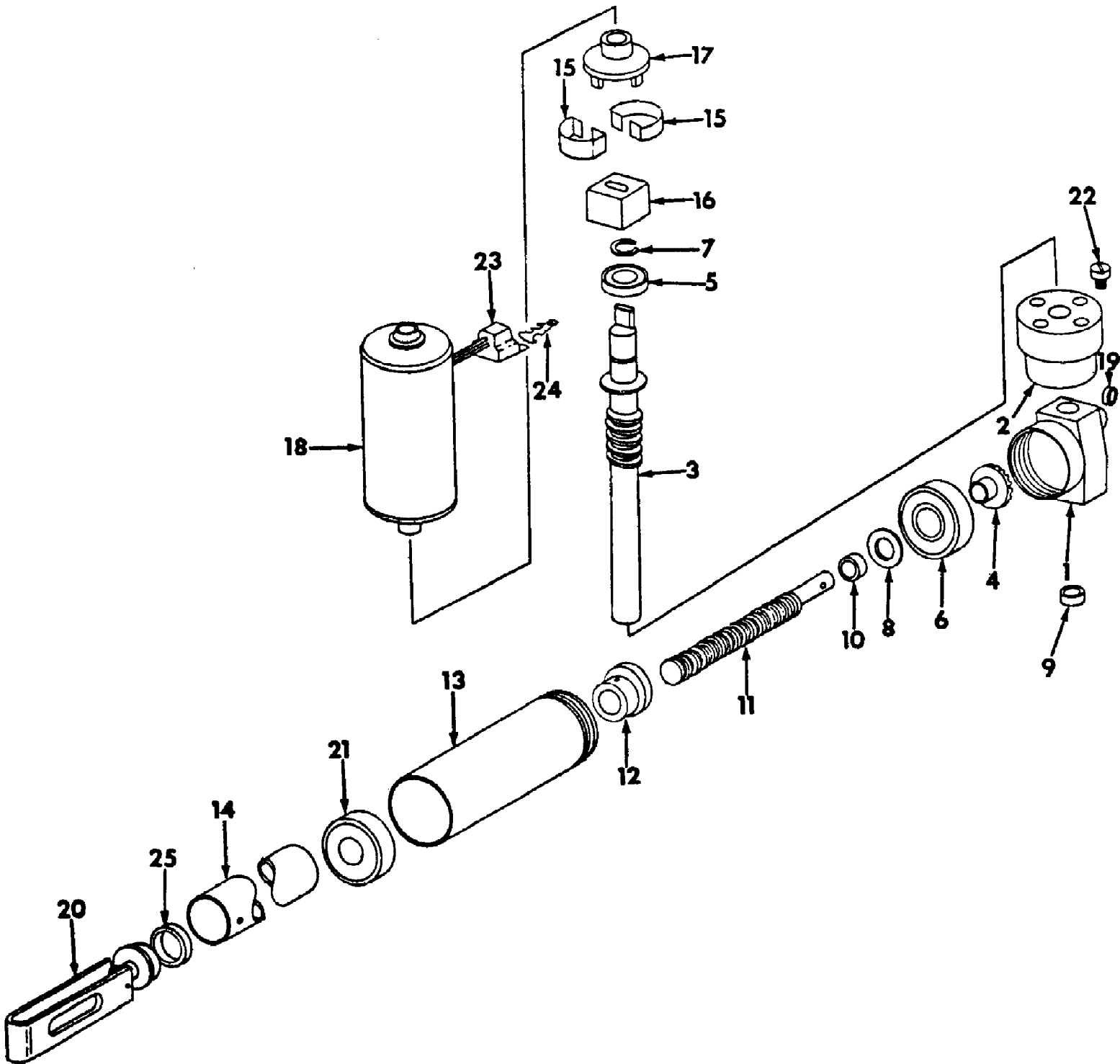
Page 11 of 70

Ref #	Part Number	Qty	S/P/F	Description
1	719-3025	1		Housing, Creeper Drive
	737-3002	2		Plug, 1/8-27 Auto Sq Hd Pipe
	710-3001	4	/P	Screw, 3/8-16 X 7/8 Hex Hd Cap
		2		Nut, 3/8-16 Hex Common Hardware Purchase Locally
2	721-3008	1	/P	O-Ring, 3/8 X 1/2 X 1/16 (Creeper shift handle)
3	723-3021	1	/P	Breather, Creeper Drive Housing
4	721-3009	1	/P	Gasket, Creeper Drive Housing
5	703-0410	1		Lever Assy, Creeper Shift Poppet
6	703-1061	1	/P	Coupling Assy, Driven
	715-3011	1	/P	Pin, 1/4 X 7/8 Hv Coiled Spring
7	711-3074A	1	/P	Shaft, Creeper Drive Input
8	716-0115	1	S	Ring, Creeper Drive Input Shaft Snap
9	717-3019	1		Coupling, Direct Drive
	715-3011	1	/P	Pin, 1/4 X 7/8 Hv Coiled Spring
10	717-3020	1		Collar, Shifter
11	759-3124	1		Carrier Assy, Planet
12	717-3022	3	/P	Gear, Planet
13	736-3049	1		Washer, Planet Gear Thrust
14	IH-462848-R91	1	S	Bearing, Creeper Input Shaft Ball
15	716-3007	1	S	Ring, Input Shaft Brg Snap
16	719-3026	1		Cage, Input Shaft Brg
17	721-3010	1		O-Ring, 2-7/16 X 2-5/8 X 3/32 (Input shaft brg cage)
18	721-3011	1	S	Seal, Input Shaft Brg Cage Oil
19	716-3008	1		Ring, Input Shaft Brg Cage Retainer Snap
20	720-3008	1	S	Knob, Creeper Shift Lever
21	IH-385041-R1	1		Lever, Creeper Shift
	IH-364436-R1	1	S	Pin, 3/16 X 1 Coiled Spring
	715-3003	2	/P	Pin, 3/16 X 3/4 Coiled Spring
	714-3010	1	/P	Pin, 3/32 X 5/8 Cot
	IH-103341	1		Washer, 13/32 X 13/16 X .065
22	IH-352219-R1	1	S	O-Ring, 1/4 X 3/8 X 1/16 (Creeper shift lever)
23	703-0409	1	/P	Yoke, Creeper Shift
24	736-3051	1		Spacer, Poppet Lever
25	IH-105408	1		Coupling, 1/8 Pipe
26	~NLA	1		Nipple, 1/8 X 2-1/4 Pipe
27	IH-390868-R1	1		Extension, Shift Lever
	IH-2753264-R1	1		Product Graphic, Creeper Speed



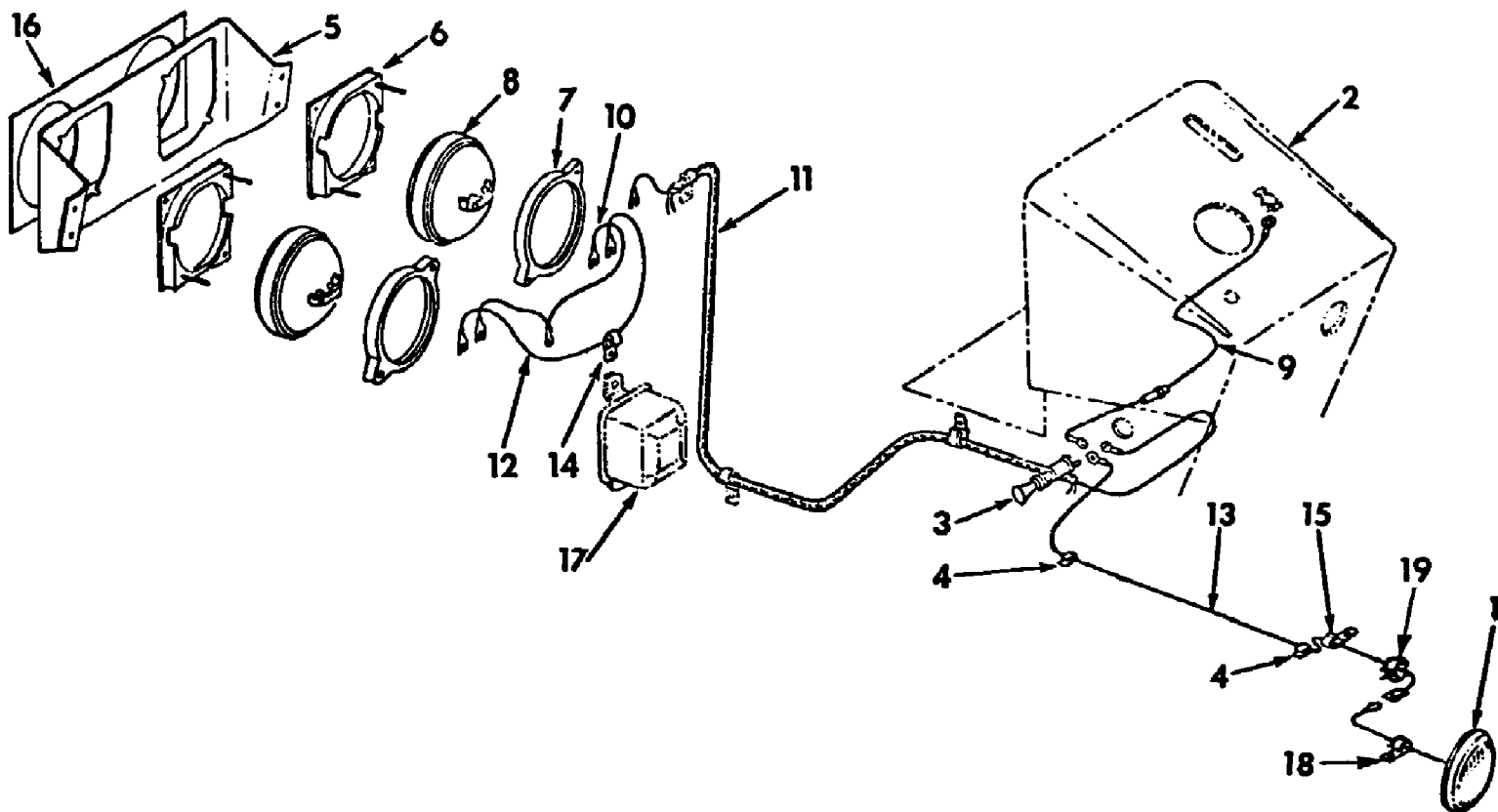
Electric Lift & Related Parts

Ref #	Part Number	Qty	S/P/F	Description
1	BR-H-200P	1		Pin, 1/2 X 1/2 C-Z Headed
	736-0272	1	S	USE 936-0272 WASHER-FL .510X.
	~NLA	1		
2	726-3023	1		Clip, Cable Harness
	736-0329	1	S	USE 936-0329 WASHER-LOCK
	712-3006	1	/P	NUT-HEX 1/4-20 GR
	IH-117963	1		
3	~NLA	1		Clip, Cable
4	~NLA	1		Clip, Locking
5	IH-529936-R2	1		Harness Assy, Cable
6	IH-529494-R94	1		Electric Lift Assy (For components see list of parts under details of electric lift assy)
7	~NLA	1		Cable Assy, Ground
8	~NLA	1		Washer, Actuator Switch
9	IH-529933-R91	1		Switch Assy, Actuator
	IH-178374-R1	1	/P	WASHER
10	~NLA	1		Guard Assy, Foot
	736-0169	2	S	USE 936-0169 WASHER LOCK-3/8
	710-3000	2	S	USE 710-0216 SCREW-HEX 3/8-16
11	~NLA	1		Rockshaft Assy, Electric Lift
	IH-131017	2		
	~NLA	2		
12	~NLA	1		Bracket Assy, Lift Mounting
	736-0140	3	S	USE 936-0140 WASHER-FL
	IH-131017	1		
	714-0142	1	/P	PIN-COTTER-3/16 DI
13	~NLA	1		Stop, Lift Arm

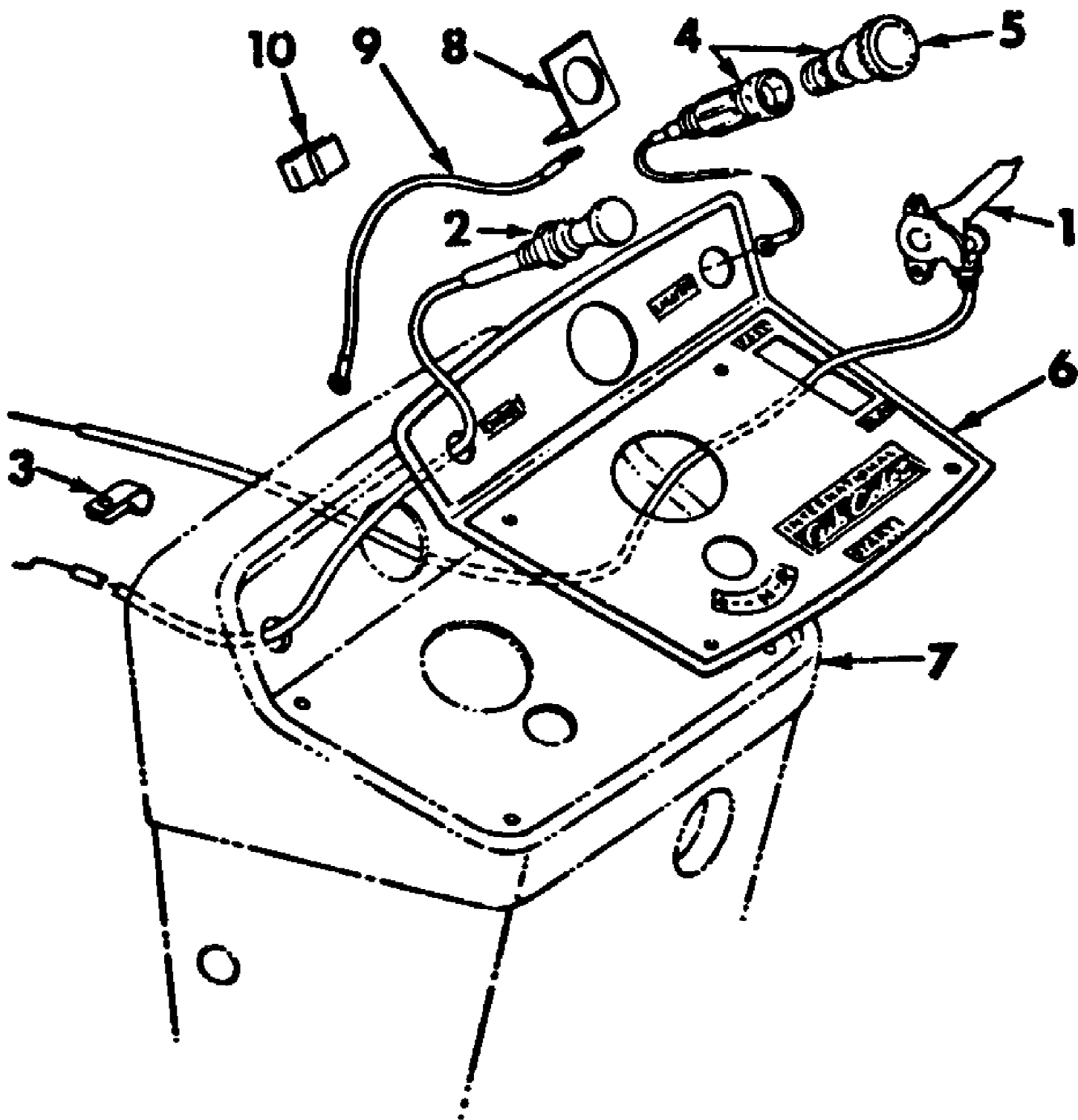


Ref #	Part Number	Qty	S/P/F	Description
	IH-529494-R94	1		Electric Lift Assy
1	IH-530790-R1	1		Housing
2	IH-530791-R1	1		Adapter, Motor
3	IH-530792-R1	1		Pinion, Spiroid
4	IH-530793-R1	1		Gear, Spiroid
5	IH-533985-R91	1	S	Bearing, Pinion
6	IH-ST553	1		Bearing, Load
7	IH-138693-R1	1		Ring, Retaining
8	IH-530794-R1	1		Washer
9	IH-530795-R1	1		Bushing, Pinion
10	IH-530796-R1	1		Bushing, Screw
11	IH-548657-R1	1		Screw
12	IH-530797-R1	1		Nut, Lifting
13	~NLA	1		Tube, Outer
14	~NLA	1		Tube, Translating
15	IH-530798-R1	2		Spring, Brake
16	IH-530799-R1	1		Cam, Brake
17	IH-530860-R1	1		Coupling, Drive
18	IH-547325-R1	1	S	Motor, Permanent Magnet
19	~NLA	1		Bushing, Housing Clevis
20	IH-547310-R1	1		Clevis Assy (Used on IH-529494-R94 & R93)
	~NLA	1		Clevis Assy
21	IH-530863-R91	1		Seal, Oil
		1		Screw, 10-32 X 1/4 Hex Soc Hd Set Common Hardware Purchase Locally
22	~NLA	4		Screw, Tap Tite
	~NLA	1		Pin, 3/16 X 1-1/4 Drive
	~NLA	1		Pin, 3/32 X 1/2 Std Spring
	~NLA	2		Pin, 3/16 X 1/4 Drive
	~NLA	2		Pin, 3/16 X 7/8 Drive
	~NLA	1		Pin, 3/16 X 3/4 Drive
	~NLA	2		Screw, Button Hd Soc
23	IH-872290-R1	1		Connector, Multiple
24	IH-239807-R1	2		Terminal
25	~NLA	1		Bushing, Guide

126
Electric Lighting

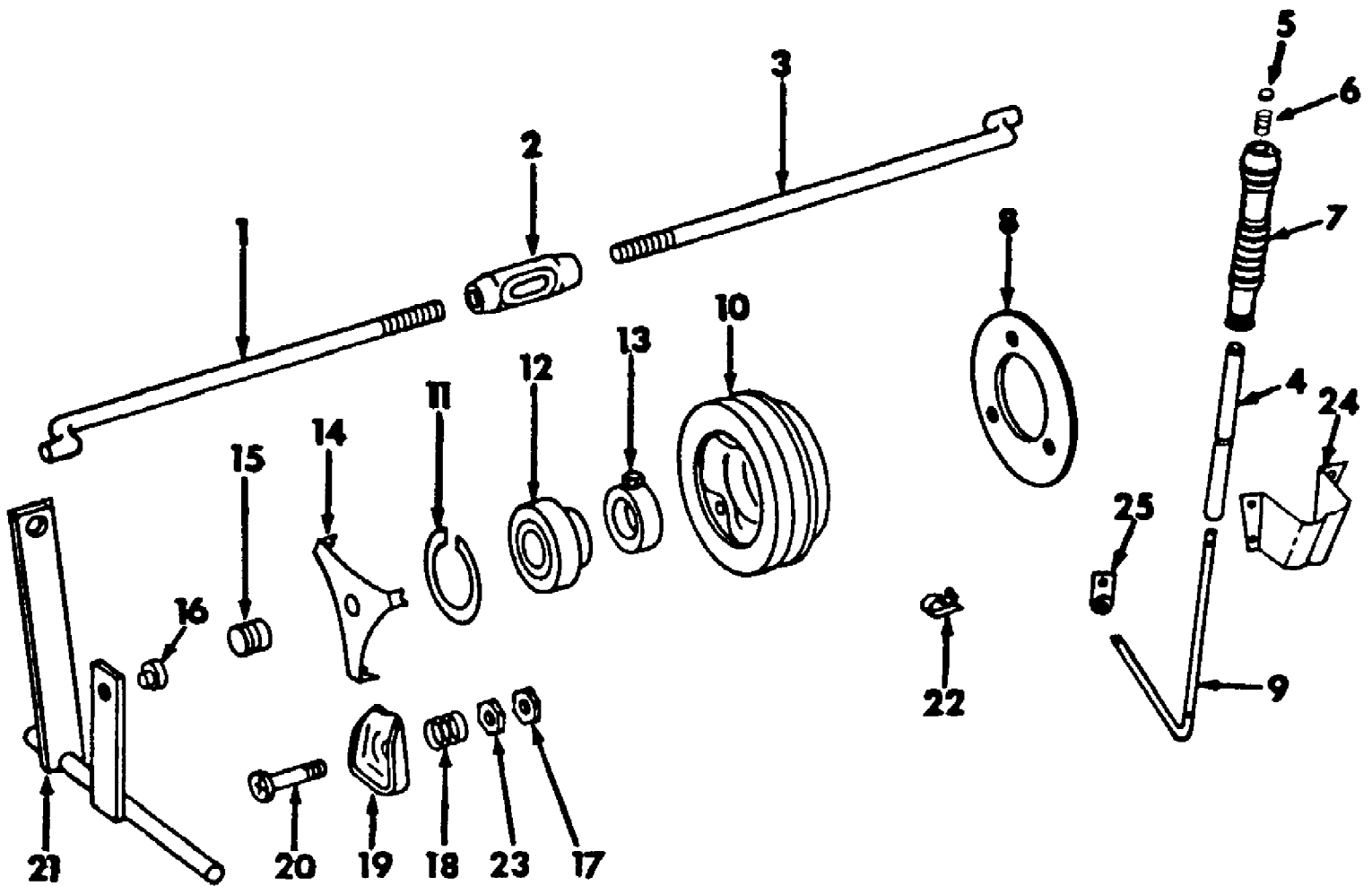


Ref #	Part Number	Qty	S/P/F	Description
1	IH-545616-R1	2		Taillight Assy (Only serviceable items are)
	IH-23713-R1	1		Lamp, No. 1889, 14 Volt
	IH-545616-R1	1		Lens, Taillight
		4		Screw, 8-32 X 5/8 Znd Pan Hd Mach
				Common Hardware Purchase Locally
		4		Washer, No. 8 Znd Ext Tooth Lock Common
				Hardware Purchase Locally
	712-0142	4	/P	Nut, 8-32 Znd Hex Mach Screw
2		1		Pedestal Assy (Refer to hood, grille & frame listing)
3	IH-62801-DC	1	S	Switch Assy, Lighting
	~NLA	1		Spacer, Lighting Switch
4	726-3021	4		Clip, Taillight Cable
		2		Screw, 3/8-16 X 7/8 Znd Hex Hd Cap
				Common Hardware Purchase Locally
5	~NLA	1		Panel Assy, Headlight Mounting
6		2		Rim, Headlight (Order two rims IH-107277-C1 & panel IH-1254622-C1)
	IH-529860-R1	4		Screw, 10-32 X 5/8 Slit Pan Hd Mach
	712-0349	4	/P	Nut, 10-32 Hex
	IH-138479	4		Washer, No. 10 Ext Tooth Lock
7	IH-389746-R1	2	S	Ring, Headlight Clamp
		4		Nut, 10-32 C-Z Wing Common Hardware
				Purchase Locally
8	725-0222	2	S	Unit Assy, Sealed Beam Headlight
9	IH-402990-R1	1		Cable Assy, Lighting Switch to Charge Indicator
	IH-120114	1		Fuse, Cartridge Type AGC 10
10	~NLA	1		Cable Assy, Headlight to Ground
11		1		Harness Assy, Cable (Not serviced separately, order wiring package IH-59321-C91)
12	IH-404404-R1	1		Cable Assy, RH Headlight to LH Headlight
13	IH-529857-R1	1		Cable Assy, Lighting Switch to Taillight
14	726-3025	1	S	Clip, RH Headlight to LH Headlight Cable
15	726-3025	4	S	Clip, Lighting Switch to Taillight Cable
16	~NLA	1		Product Graphic, Headlight Panel
17		1		Regulator Assy, Voltage (Refer to ignition & starting listing)
18	726-3015	2	S	Clip, Taillight
19	~NLA	2		Clip, Cable
	IH-59321-C91	1	/P	Package, Wiring
	IH-404379-R4	1	S	Harness Assy
	IH-370383-R1	1		Clip

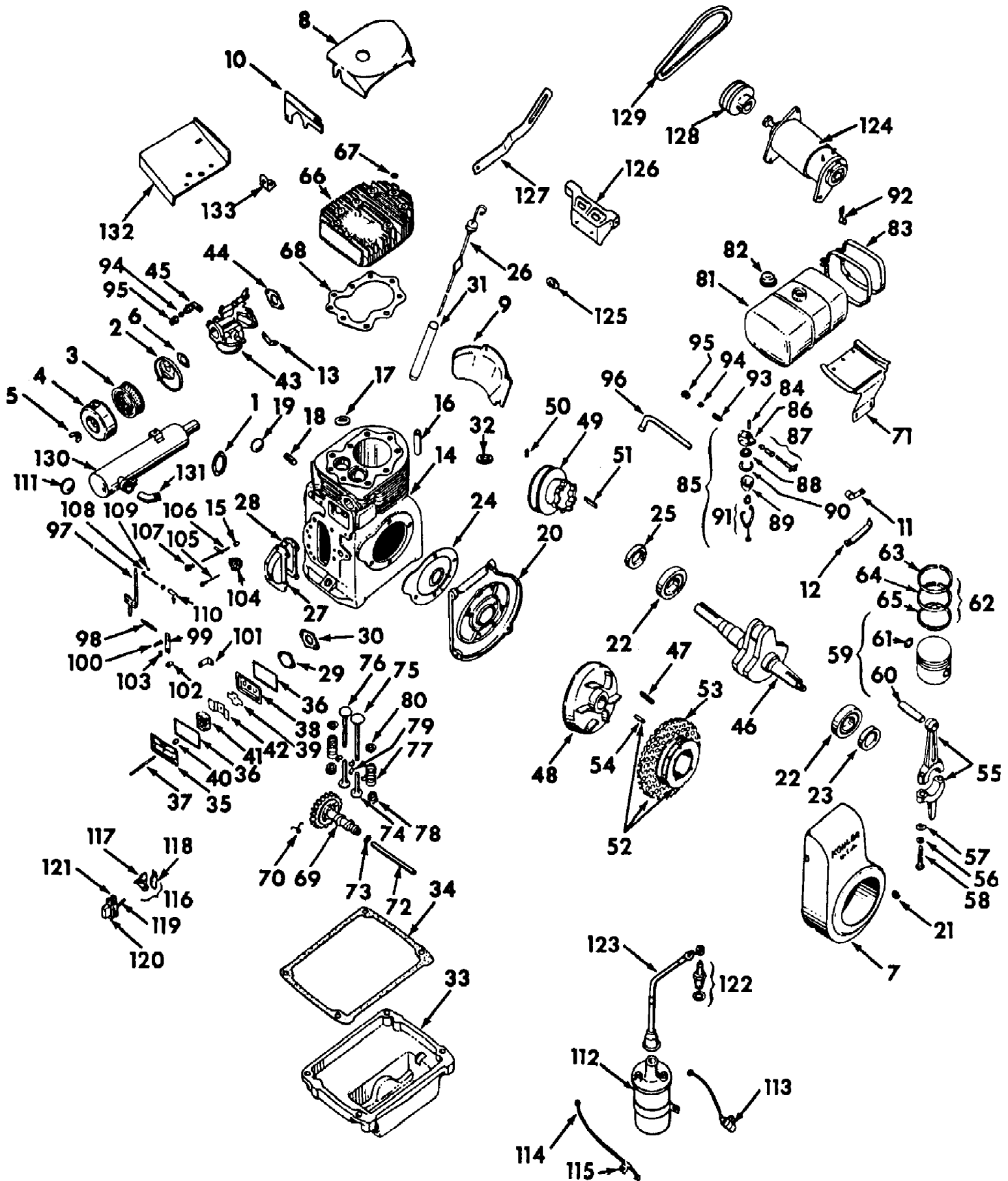


Engine Controls & Instrument Panel

Ref #	Part Number	Qty	S/P/F	Description
1	IH-543919-R1	1	/P	Lever & Cable Assy, Throttle
	IH-443874	2		Screw, 10-24 X 1/2 C-Z Hex Hd Mach
	736-0722	2	S	Washer, 10 C-Z Med Lock
2	IH-401439-R92	1	S	Cable Assy, Choke
	IH-27503-R1	1		Washer, Choke Bezel
3	IH-376298-R1	1	S	Clip, Throttle Cable Retainer
		1		Screw, 8-32 X 1/2 C-Z Cr Rec Pan Hd Mach Common Hardware Purchase Locally
	712-0149	1		Nut, 8-32 C-Z Hex Mach Screw
	IH-121841	1		Washer, 8 C-Z Med Lock
4	~NLA	1		Cigarette Lighter Parts Accessory, 12 Volt
5	IH-378781-R91	1		Unit, Pop-Out Element
	IH-432281	1		Plug, 29/32 Ch Bright Button (Cigarette lighter hole)
6	IH-529424-R1	1		Product Graphic, Instrument Panel
	IH-159921	4		Screw, 10-24 X 1/2 Cdp Cr Rec Pan Hd Mach
7		1		Panel, Instrument (Refer to hood, grille & frame listing)
8	~NLA	1		Bracket, Lighter Ground
9	IH-402691-R1	1		Cable Assy, Ground
		1		Screw, 10-24 X 3/8 Slit Pan Hd Mach Common Hardware Purchase Locally
	BS-231082	1		Nut, 10-24 Hex Mach Screw
10	~NLA	1		Clip, Cigarette Lighter Cable
	731-0108	1	/P	Knob, Throttle Control



Ref #	Part Number	Qty	S/P/F	Description
	IH-546775-R92	1	/P	PTO Clutch Assy
1	IH-473484-R1	1		Rod, Clutch
	712-3006	1	/P	Nut, 1/4-20 C-Z Hex Jam
2	IH-473589-R1	1		Turnbuckle, Rod
3	IH-530051-R1	1		Rod, Rear Clutch
	IH-475579-R1	1	S	Pin, Quick Attachable Cotter
	736-0173	1	/P	Washer, 9/32 X 3/4 X 16 Ga C-Z
	IH-489417-R1	1		Spring, Brake Return
4	IH-528887-R1	1		Handle, PTO
5	~NLA	2		Spacer, Handle
6	IH-528889-R1	1		Spring, Handle Return
	IH-110668-R1	1		Ring, Retainer
7	IH-528893-R1	1		Grip, Handle
8	IH-473471-R1	1		Plate, Pressure
9	IH-528883-R1	1		Rod, PTO Control
		1		Washer, 15/32 X 10 Ga C-Z Common Hardware Purchase Locally
	715-0124	1		Pin, 5/32 X 5/8 Med Coiled Spring
10	IH-59983-C1	1	S	Pulley, Mower Actuating
	IH-23025-R1	3	S	Screw, 1/4-20 X 1/2 Hex Soc Hd Cone Pt Set
	IH-23026-R1	3	S	Screw, 1/4-20 X 1/4 Hex Soc Hd F Pt Set
11	IH-473475-R1	1		Ring, Snap 2.197 O.D., For Pulley
12	IH-60071-C91	1	S	Bearing, Ball
	IH-60072-C1	1		Snap Ring For Bearing
13	IH-455102-R21	1	S	Collar w/Set Screw & Lock Nut, Brg
14		1		Spring, Pressure (Order 759-3490)
15	IH-473477-R2	1	S	Button, Thrust
16	IH-473483-R1	1	S	Button, Wear
17		3		Nut, 1/4-28 Hex Jam
18	IH-27452-D	3		Spring, Compression
19	IH-473478-R1	3	S	Lever, Throw-Out
20	IH-473472-R1	3	S	Screw, Special Machine
21	IH-473479-R91	1	S	Shaft, Clutch
22		1		Spring, Friction Disc (Not serviced separately, order 759-3490)
23		3		Nut, 1/4-28 Hex Common Hardware Purchase Locally
24	IH-528890-R1	1		Bracket Assy, PTO Handle
		4		Washer, No. 12 C-Z Med Lock Common Hardware Purchase Locally
		4		Screw, 12-24 X 3/8 C-Z Slit Pan Hd Mach Common Hardware Purchase Locally
25	IH-528884-R1	1		Lever Assy, PTO
	759-3490	1	/P	Kit, PTO Clutch Spring & Disc



126
Engine-K301a-12 Hp

Page 23 of 70

Ref #	Part Number	Qty	S/P/F	Description
1	712-0250	1	S	Nut, Exhaust Muffler Elbow Lock
2	KH-235101	1	/P	Base, Air Cleaner
		3		Screw, 10-32 X 3/8 Fil Hd Slit Mach Common Hardware Purchase Locally
		3		Washer, No. 10 Med Lock Common Hardware Purchase Locally
	~NLA	2		Washer, Choke Shaft
3	IH-385168-R2	1	S	Element, Air Cleaner Filter
4	KH-235102	1	/P	Cover, Air Cleaner
	~NLA	1		Washer, Packing
5	KH-X-276-7	1	S	Nut, Air Cleaner Wing
6	KH-275341	1	/P	Gasket, Air Cleaner
7	~NLA	1		Housing Assy, Blower (Serial No. 315299 & below)
	~NLA	1		Housing Assy, Blower (Serial No. 315300 & above)
		4		Screw, w/Spring Lock Washer, 1/4-20 X 3/4 C-Z Hex Hd Mach Common Hardware Purchase Locally
8	KH-235049	1		Baffle, Cylinder Head Air (Serial No. 315299 & below)
	KH-237677	1	/P	Baffle, Cylinder Head Air (Serial No. 315300 & above)
9	KH-235054	1		Baffle, Cylinder Air (Serial No. 315299 & below)
	KH-236676	1		Baffle, Cylinder Air (Serial No. 315300 & above)
	IH-9409106	1		Screw w/Spring Lock Washer, 1/4-20 X 1/2 C-Z Hex Hd Mach
10	KH-235652	1		Baffle, Housing Side Air
11	IH-263515-R91	1		Clip, Choke Cable
	712-3006	1	/P	Nut, 1/4-20 C-Z Hex
		1		Washer, 1/4 Med Lock Common Hardware Purchase Locally
	736-0463	1	S	Washer, 17/16 X 9/16 X .062 C-Z
12	KH-A-237559	1	S	Bracket, Throttle Cable
13	KH-A-236919	1		Bracket, Choke
	KH-235603	1	/P	Clip, Speed
14		1		Crankcase Assy
15	KH-234866	1		Bearing, Needle (Governor cross shaft)
16	KH-235007-S	2	/P	Guide, Valve
17	KH-230170	1	/P	Insert, Exhaust Valve
18	KH-235125-06	1		Shaft, Governor
19	IH-172548	1		Plug, 1-1/8 Expansion (Crankcase)
20	~NLA	1		Plate, Crankcase Brg
		4		Screw, 1/4-20 X 5/8 C-Z Hex Hd Cap Common Hardware Purchase Locally

126
Engine-K301a-12 Hp

Page 24 of 70

Ref #	Part Number	Qty	S/P/F	Description
21	~NLA	1		Plug, 5/8 Button (Crankcase bearing plate)
22	IH-ST436	2	S	Bearing, Crankcase Ball
23	KH-47-032-06	1	/P	Seal, Crankcase Brg Plate Oil (Blower housing end)
24	KH-235070	AR		Gasket, Brg Plate, .005
	KH-235070	AR		Gasket, Brg Plate, .010
25	KH-47-032-07	1	/P	Seal, Crankcase Oil (Flywheel pulley end)
26	KH-A-235941	1	/P	Dipstick (Serial No. 351868 & below)
	KH-A-237282	1		Dipstick (Serial No. 351869 & above)
27	KH-235026	1		Cover, Camshaft (Serial No. 351868 & below)
	~NLA	1		Cover, Camshaft (Serial No. 351869 & above)
	IH-9409106	4		Screw w/Spring Lock Washer, 1/4-20 X 1/2 C-Z Hex Hd Mach
28	KH-235025	1	S	Gasket, Camshaft Cover
29	KH-240282	1		Cover, Fuel Pump Pad
		2		Screw, 1/4-20 X 5/8 C-Z Fil-Hd Mach Common Hardware Purchase Locally
30	KH-52-041-17	1		Gasket, Fuel Pump Pad Cover
31	KH-235895	1		Tube, Oil Fill
32	KH-230265	1	/P	Insert, Intake Valve
33	KH-47-199-09	1	/P	Base, Oil Pan
	KH-X-75-10	1	S	Plug, 3/8-18 Auto Sq-Hd Filler & Drain
		4		Screw w/Spring Lock Washer, 3/8-16 X 1-1/4 C-Z Hex-Hd Mach Common Hardware Purchase Locally
34	KH-235353	1	/P	Gasket, Oil Pan Base
35	KH-A-235418-S	1		Cover, Breather
36	KH-235048	2	/P	Gasket, Breather
37	KH-275220	1		Stud, Breather Cover
	712-3006	1	/P	Nut, 1/4-20 C-Z Hex
		1		Washer, 1/4 Med Lock Common Hardware Purchase Locally
38	KH-235631	1	/P	Plate, Breather
39	KH-235047	1	S	Shim, Breather
40	KH-231032	1	/P	Seal, Breather
41	KH-235118	1	/P	Filter, Breather
42	KH-235117	1	/P	Baffle, Breather
43		1		Carburetor Assy (For components see list of parts under details of carburetor)
	KH-X-770-1	2	S	Screw w/Internal Tooth Lock Washer, 5/16-18 X 1 Slit Hex Hd Cap
44	KH-271030	1	/P	Gasket, Carburetor
45	KH-231510	1		Elbow, Carburetor to Fuel Line (Serial No. 315299 & below)

126
Engine-K301a-12 Hp

Page 25 of 70

Ref #	Part Number	Qty	S/P/F	Description
	IH-401967-R1	1		Elbow, Carburetor to Fuel Line (Serial No. 315300 & above)
46	KH-47-142-30	1	S	Crankshaft
47	KH-230525	1		Key, Crankshaft
48	KH-47-755-02	1		Flywheel
49	KH-231591	1	/P	Pulley w/Clutch Drive Plate, Flywheel
50	KH-X-60-50	2	S	Screw, Flywheel Pulley Set
51	IH-452779-R1	1	S	Key, 1/4 X 7/8 Sq Parallel
52	KH-41-071-05	1	/P	Cup Assy, Flywheel Drive
	IH-121358	1		Nut, 5/8-18 C-Z Hex
		4		Screw, 8/32 X 1/4 Hex Hd Tap Common Hardware Purchase Locally
		1		Washer, 5/8 LT Lock Common Hardware Purchase Locally
	759-3287	1		Cup w/Pulley
53	KH-235191	1		Screen, Drive Cup Grass
54	IH-385293-R1	1	S	Pin, Flywheel Drive Cup
55	KH-47-067-09	1	/P	Rod Assy, Connecting, Std
	KH-47-067-10	1	/P	Rod Assy, Connecting, .010 U/S
56		2		Washer, Connecting Rod Lock Common Hardware Purchase Locally
57	736-0140	2	S	Washer, Connecting Rod
58	IH-117116-C1	2		Screw, Connecting Rod
59	KH-47-874-06	1	/P	Piston Assy, Std
	KH-47-874-08	1	/P	Piston Assy, .010 O/S
	KH-47-874-09	1	/P	Piston Assy, .020 O/S
	KH-47-874-10	1	/P	Piston Assy, .030 O/S
60	~NLA	1		Pin, Piston, Std
	~NLA	1		Pin, Piston, .005 O/S
61	KH-47-018-01	2	/P	Retainer, Piston Pin
62	KH-48-108-01	1	/P	Ring Set, Piston, Std
	KH-48-108-02	1	/P	Ring Set, Piston, .010 O/S
	KH-235891	1	S	Ring Set, Piston, .020 O/S
	KH-48-108-04	1	/P	Ring Set, Piston, .030 O/S
63		1		Ring, Top Compression (Not serviced separately, order ring set)
64		1		Ring, Center Compression (Not serviced separately, order ring set)
65		1		Ring, Oil Control (Not serviced separately, order ring set)
66	KH-237670	1	/P	Head, Cylinder (Order baffle KH-237679, baffle KH-237677, gasket KH-47-041-15 & package KH
	IH-20248-R1	6		Screw, 3/8-16 X 2-1/4 C-Z Hex Hd Mach
		3		Screw, 3/8-16 X 2-1/2 C-Z Hex Hd Mach Common Hardware Purchase Locally
67	KH-270889	9	/P	Washer, Cylinder Head
68	KH-47-041-15	1	/P	Gasket, Cylinder Head

126
Engine-K301a-12 Hp

Page 26 of 70

Ref #	Part Number	Qty	S/P/F	Description
69	KH-47-010-09	1	/P	Camshaft Assy
70	KH-47-089-01	1	/P	Spring, Camshaft Actuating
71	KH-237898	1		Bracket, Fuel Tank (Serial No. 351868 & below)
	KH-236943	1		Bracket, Fuel Tank (Serial No. 351869 & above)
72	KH-47-380-09	1	/P	Pin, Camshaft
73	KH-275066	AR	/P	Shim, Camshaft, .005
	KH-275067	AR	/P	Shim, Camshaft, .010
74	KH-D-235327	2	/P	Tappet Assy, Valve
75	KH-235008	1	S	Valve, Intake
76	KH-235826	1	/P	Valve, Exhaust
77	KH-235010	2	S	Spring, Valve
78	KH-230011	2	/P	Retainer, Valve Spring
79	IH-46209D	4		Key, Valve Spring Retainer (Order in sets of two)
80	KH-235011	2	S	Retainer, Valve Spring Upper
81	KH-235935	1	S	Tank Assy, Fuel w/Filler Cap
82	KH-236655	1	/P	Cap, Fuel Filler
83	KH-A-236942	2	/P	Strap, Fuel Tank (Serial No. 351868 & below)
		2		Screw, 1/4-20 X 1-1/4 C-Z Hex Hd Cap Common Hardware Purchase Locally
	IH-20244-R1	2		Nut, 1/4-20 Esna Stop
	KH-A-236942	2	/P	Strap, Fuel Tank (Serial No. 351869 & above)
84	~NLA	1		Nipple, 1/8 X 3/4 C-Z Pipe
85	KH-A-210101	1	S	Filter Assy, Fuel
86	KH-210478	1	/P	Body, Fuel Filter
87	KH-A-210480	1	/P	Valve Assy, Needle
88	KH-210479	1	/P	Screen, Filter
89	KH-210467	1	/P	Bowl, Fuel Filter Glass
90	KH-210468	1	/P	Gasket, Fuel Filter Bowl
91	KH-A-210477	1	/P	Bail Assy, Fuel Filter Bowl
92	IH-363660-R1	1		Clip, Cable Harness
93	KH-231509	1		Connector, Fuel Filter (Serial No. 315299 & below)
	IH-61181-H	1		Nipple, Hose 1/4 (Serial No. 315300 & above)
94	IH-144526-H1	2	S	Sleeve, Fuel Line (Serial No. 315299 & below)
95	KH-220786	2	/P	Nut, Fuel Line (Serial No. 315299 & below)
96	KH-235372	1		Line, Fuel Filter to Carburetor Fuel (Serial No. 315299 & below)
	~NLA	1		Line, Fuel Filter to Carburetor Fuel (Serial No. 315300 & above)
97	KH-A-237653	1		Lever, Governor
	712-3006	1	/P	Nut, 1/4-20 C-Z Hex

126
Engine-K301a-12 Hp

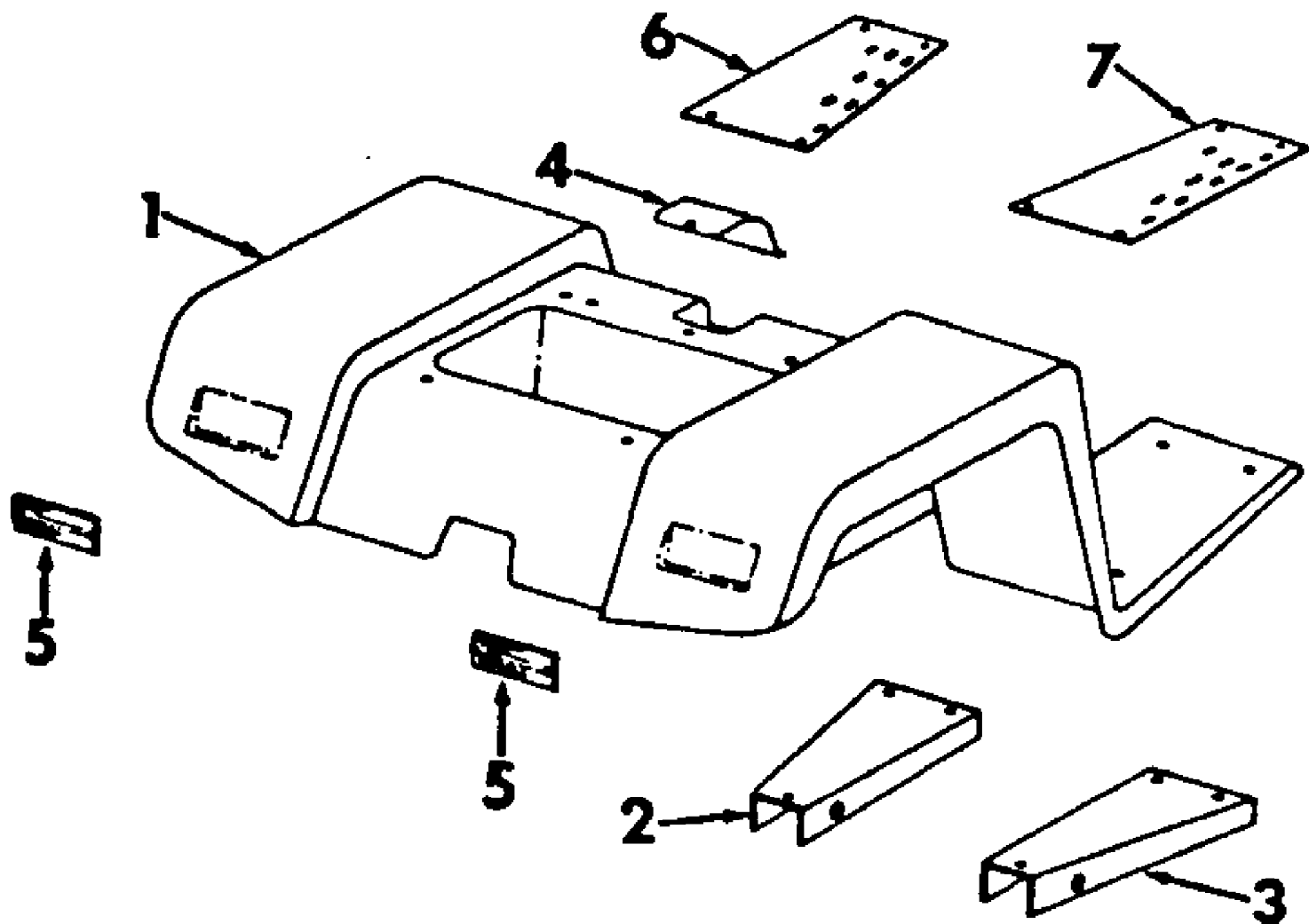
Page 27 of 70

Ref #	Part Number	Qty	S/P/F	Description
		1		Screw, 1/4-20 X 1-1/4 C-Z Hex Hd Cap Common Hardware Purchase Locally
	736-0463	2	S	Washer, 9/32 X 5/8 X .062 C-Z
98	KH-235496	1	/P	Spring, Governor
99	KH-235086	1	/P	Bracket, Speed Control
100	KH-48-755-10	1	/P	Clamp, Control Bracket
101	KH-235084	1		Bracket, Adjusting Screw
		1		Screw, 1/4-20 X 1 C-Z Hex Hd Cap Common Hardware Purchase Locally
		1		Washer, 1/4 Med Lock Common Hardware Purchase Locally
	KH-X-25-63	1	/P	Washer, 17/64 X 1/2 X .062 C-Z
102	KH-235085	1	S	Spacer, Adjusting Screw
103	KH-275690	1	/P	Washer, Adjusting Screw Spacer
104	KH-A-235743-S	1	/P	Gear Assy, Governor
	KH-X-25-67	1		Washer, 13/32 X 3/4 X .062
105	KH-231355	1	S	Pin, Governor Stop
	KH-X-25-12	1	/P	Washer, 17/64 X 1/2 X .062, Copper
106	KH-A-235256-S	1	/P	Shaft Assy, Governor Cross
107	KH-235476	1	/P	Bushing, Cross Shaft
108	KH-235277	1	/P	Rod, Ball Joint Throttle
109	BS-93307	1	/P	Retainer, Throttle Rod
110	IH-19726-R1	1	S	Joint, 10-32 X 1/4 Ball
		1		Nut, 10-32 An-Pltd Hex Common Hardware Purchase Locally
		1		Washer, No. 10 Med Lock Common Hardware Purchase Locally
111	IH-172548	1		Plug, 1-1/8 Expansion
112	KH-231281	1	S	Coil, Ignition
	IH-9409106	2		Screw w/Spring Lock Washer, 1/4-20 X 1/2 C-Z Slit Hex Hd Mach
		2		Washer, 17/64 X 1 X .062 C-Z Common Hardware Purchase Locally
113	IH-62188-C1	1	S	Condenser, Ignition Coil
114	KH-A-231839	1	/P	Cable Assy, Condenser to Breaker
115	KH-220292	1		Clip, Condenser to Breaker Cable
116	KH-47-150-03	1	/P	Bracket & Breaker Assy
117	IH-62189-C1	1	S	Breaker Point Set
118		1		Bracket, Point Breaker (Not serviced separately, order KH-47-150-03)
		1		Screw w/Washer, 8-32 X 1/4 Znd Slit Pan Hd Mach Common Hardware Purchase Locally
119	KH-47-411-04	1	/P	Rod, Breaker
120	KH-232535	1	S	Cover, Breaker
	KH-X-131-1	4	/P	Screw w/Internal Tooth Lock Washer, 10-24 X 3/8 C-Z Slit Rd Hd Mach
121	KH-52-041-11	1	S	Gasket, Breaker Cover
122	IH-H10C	1	P	Plug, Spark (Champion)

126
Engine-K301a-12 Hp

Page 28 of 70

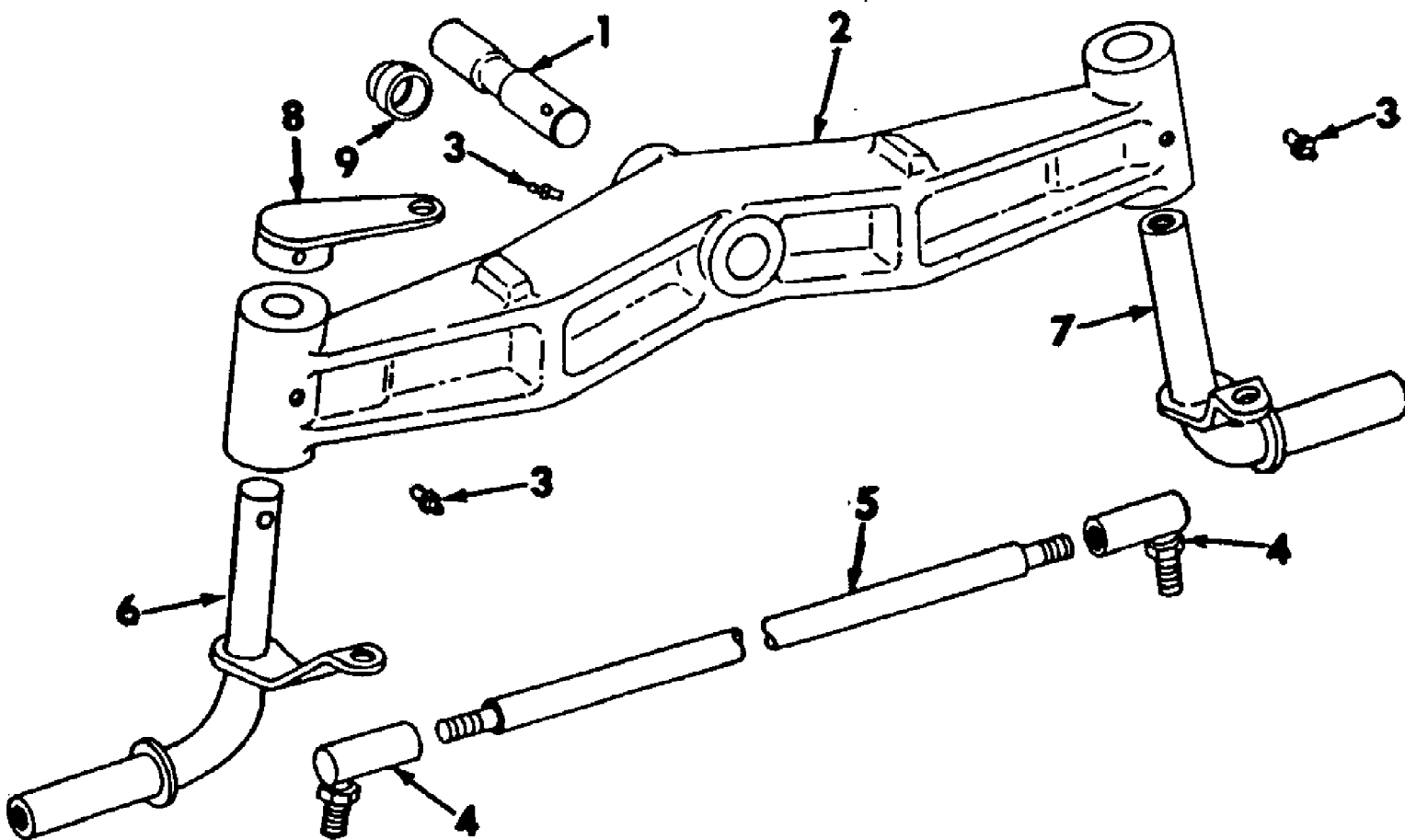
Ref #	Part Number	Qty	S/P/F	Description
123	KH-238057	1	S	Kit, Hi-Tension Spark Plug, Cable Lead
124		1		Motor Generator (For components see list of parts under details of motor generator)
	710-0376	2	/P	Screw, 5/16-18 X 1 C-Z Hex Hd Cap
		2		Washer, 5/16 Med Lock Common Hardware Purchase Locally
125	KH-231149	AR		Shim, Motor Generator Mounting Bolt
126	KH-235373	1		Bracket, Motor Generator Mounting
	IH-24840-R1	2		Screw, 3/8-16 X 7/8 C-Z Hex Hd Cap
		2		Washer, 3/8 Med Lock Common Hardware Purchase Locally
127	KH-231273	1	S	Brace, Motor Generator Adjusting
	710-0118	1	S	Screw, 5/16-18 X 3/4 C-Z Hex Hd Cap
	IH-24840-R1	1		Screw, 3/8-16 X 7/8 C-Z Hex Hd Cap
		1		Washer, 5/16 Med Lock Common Hardware Purchase Locally
		1		Washer, 3/8 Med Lock Common Hardware Purchase Locally
		1		Washer, 11/32 X 7/8 X .125 C-Z Common Hardware Purchase Locally
128	KH-231278	1	S	Pulley, Motor Generator Drive
129	IH-401960-R1	1		Belt, Motor Generator Drive
130	IH-393840-R91	1		Muffler, Exhaust
		1		Screw, 5/16-18 X 3/8 C-Z Hex Hd Cap Common Hardware Purchase Locally
	736-0119	1	S	Washer, 5/16 C-Z Med Lock
		1		Washer, 5/16 X 3/4 X .062 C-Z Common Hardware Purchase Locally
	KH-X-400-72	1	S	Spacer, Exhaust
131	KH-235692	1	/P	Tube, Exhaust Muffler
132	KH-237679	1	/P	Baffle, Heat
133	~NLA	1		Angle, Hanging Strap
	IH-681797-C1	1		Clamp, Muffler
		1		Bolt, 3/8-16 X 1-1/4 Znd Sq-Nk Crg Common Hardware Purchase Locally
	712-0798	1	/P	Nut, 3/8-16 Znd Hex
	KH-47-004-01	1	S	Gasket Kit, Engine (Consists of Ref No. 6, 23, 24, 25, 27, 28, 30, 34, 36, 40, 44, 68, 90 & 12)



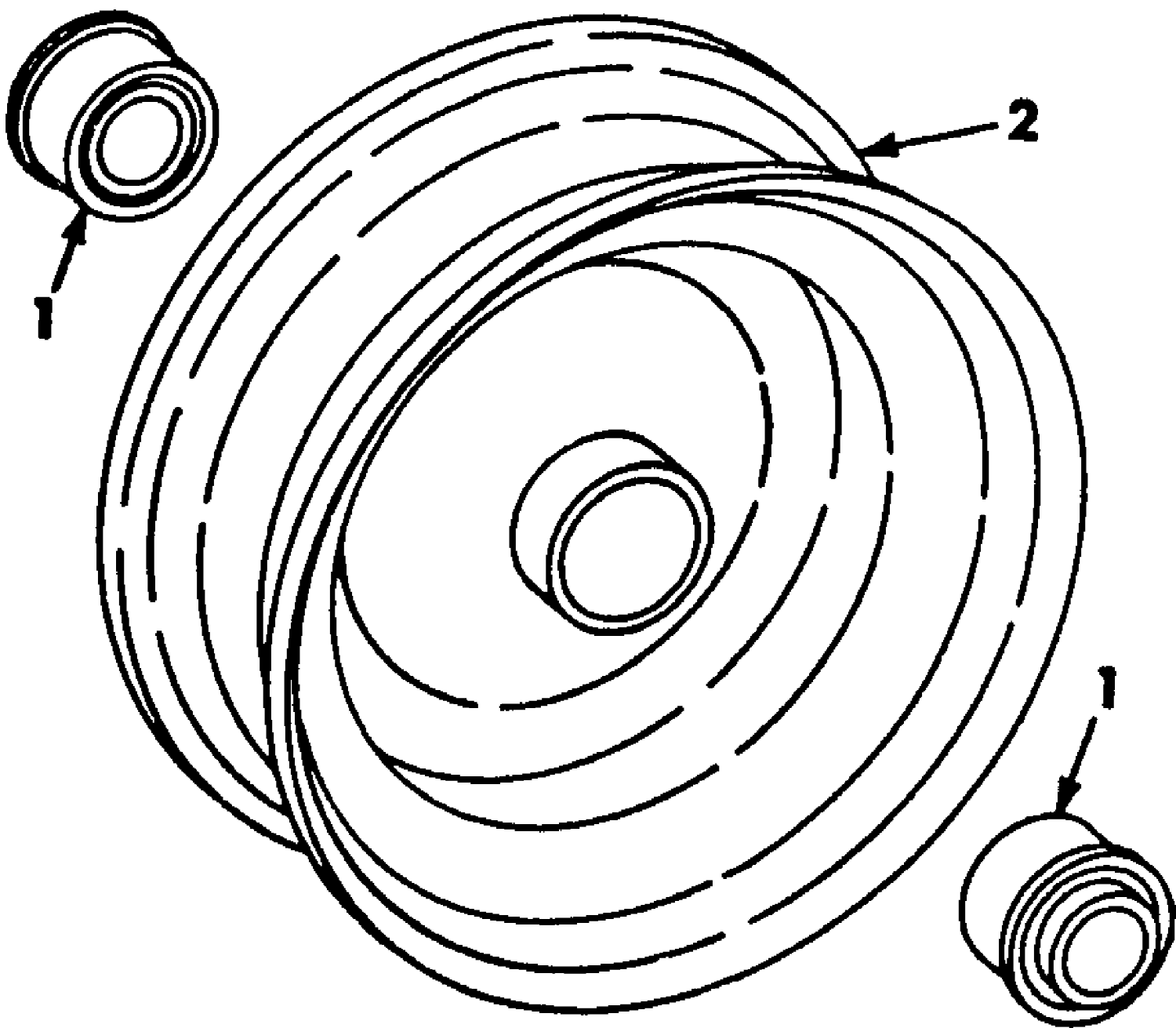
126
Fenders

Page 30 of 70

Ref #	Part Number	Qty	S/P/F	Description
1	~NLA	1		Fender Assy
	IH-24840-R1	6		Screw, 3/8-16 X 7/8 Znd Hex Hd Cap
	736-3004	4	S	Washer, 13/32 X 7/8 X 11 Ga C-Z
	IH-528907-R1	1		Bumper, Seat Support
2	~NLA	1		Channel Assy, Foot Support LH
3	~NLA	1		Channel Assy, Foot Support RH
4		1		Not used in this application
5	730-3000	2	S	Reflector
		4		Screw, 8-32 X 1/2 Pan Hd Cross Recess Mach Common Hardware Purchase Locally
	712-0142	4	/P	Nut, 8-32 Hex
	IH-121841	4		Washer, No. 8 Med Lock
6	~NLA	1		Tread, Platform LH
	710-3055	4		Screw, 5/16-18 X 5/8 C-Z Slit Truss Hd Mach
	736-0119	1	S	Washer, 5/16 Med Lock
	712-0267	1	S	Nut, 5/16-18 Hex
7	~NLA	1		Tread, Platform RH
	712-0267	1	S	Nut, 5/16-18 Hex
	736-0119	1	S	Washer, 5/16 Med Lock
	710-3055	4		Screw, 5/16-18 X 5/8 C-Z Slit Truss Hd Mach

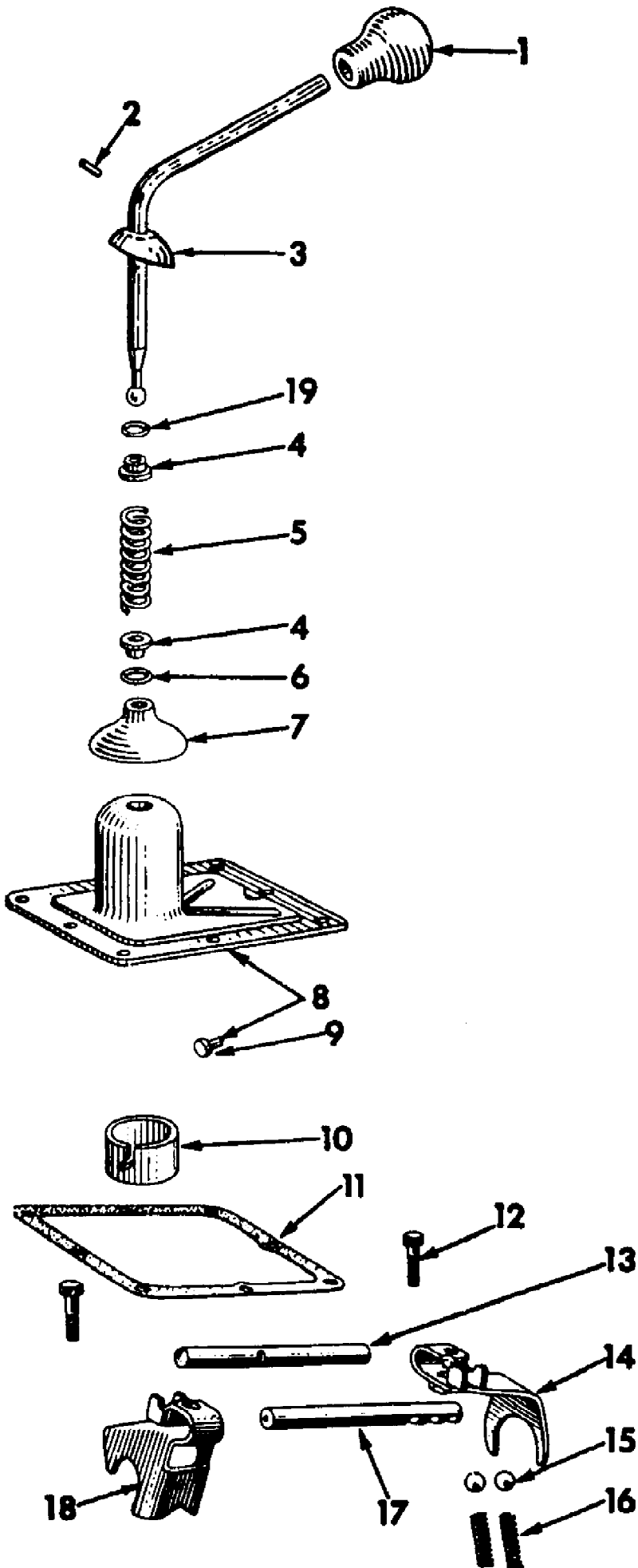


Ref #	Part Number	Qty	S/P/F	Description
1	IH-384626-R3	1	S	Pin, Front Axle Pivot
	IH-591184-R1	1		Pin, 3/16 X 1-1/4 Hv Coiled Spring
2	759-3011	1	S	Axle, Front
3	737-3000	3	S	Fitting, 3/16 Drive Type Str Lube
4	723-3000	2	S	Joint Assy, Ball
	712-3002	2	S	Nut, 3/8-24 C-Z Slit Hex
	714-0474	2	S	Pin, 1/8 X 3/4 C-Z Cot
5	IH-384632-R1	1		Rod, Tie
	712-3001	2	S	Nut, 3/8-24 Hex
6	759-3004	1	/P	Knuckle Assy, Steering LH
		1		Screw, 3/8-16 X 3/4 Hex Hd Cap Common Hardware Purchase Locally
	736-0227	1	S	Washer, 13/32 X 1-1/2 X 11 Ga
7	759-3006	1	/P	Knuckle Assy, Steering RH
		1		Screw, 3/8-16 X 3/4 Hex Hd Cap Common Hardware Purchase Locally
	736-0227	1	S	Washer, 13/32 X 1-1/2 X 11 Ga
8	759-3120	1	S	Arm Assy, Drag Link
	715-3009	1	S	Pin, 5/16 X 2 Hv Coiled Spring
9	IH-384837-R1	1		Bushing, Front Axle Pivot Pin Front
	711-3005	1	/P	Washer, Front Axle Pivot Pin Rear

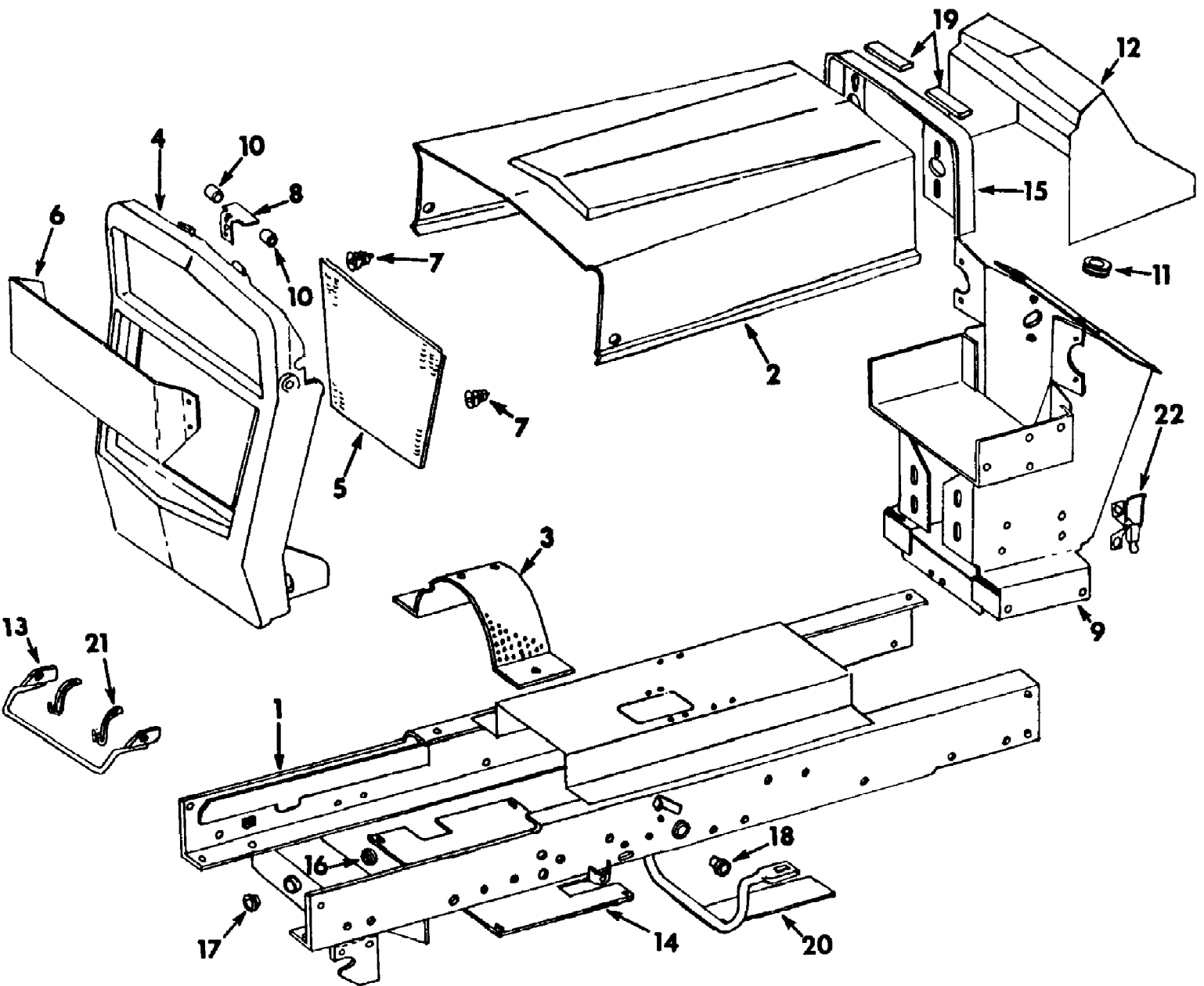


126
Front Wheels

Ref #	Part Number	Qty	S/P/F	Description
1	IH-384881-R93	4	S	Bearing Assy, Front Wheel Ball
2	IH-386188-R92	2	/P	Wheel Assy, Front w/3.75 X 8 Rim for 4.80/4.00 X 8 Tires
	IH-387839-R92	2		Wheel Assy, Front w/5.38 X 8 Rim for 16 X 6.50-8 Tires
	734-0255	2	S	Valve, TR-413 Tubeless Type



Ref #	Part Number	Qty	S/P/F	Description
1	IH-401466-R1	1	/P	Knob Assy, Shift Handle
2	715-0147	1	/P	Pin, Gear Shift Swivel Spring Retainer
3	IH-528881-R1	1		Lever Assy, Gear Shift
4	703-0915	2	/P	Retainer, Gear Shift Swivel Spring
5	732-3041	1	/P	Spring, Gear Shift Lever
6	721-0184	1	/P	O-Ring, 1/2 X 5/8 X 1/16
7	703-0916	1	/P	Shield, Gear Shift Lever
8	IH-364065-R21	1		Housing Assy, Gear Shift Lever
		8		Screw, 5/16-18 X 1/2 Hex Hd Cap Common Hardware Purchase Locally
9	711-3131	1	/P	Pin, Gear Shift Lever Swivel Stop
10	IH-351547-R1	1		Guide, Gear Shift Lever
11	IH-351546-R1	1	S	Gasket, Gear Shift Lever Housing
12	IH-351543-R2	2	/P	Screw, Shifter Fork
		2		Washer, 5/16 Med Lock Common Hardware Purchase Locally
13	IH-352774-R3	1		Rod, Second & Third Gear Shifter
14	IH-355601-R92	1		Package, Second & Third Shifter Fork Service
15	741-0359	2	/P	Ball, 3/8 Cr-Stl Grade 3 (Gear shifter poppet)
16	732-0424	2	/P	Spring, Gear Shifter Poppet
17	IH-352770-R3	1		Rod, First & Reverse Gear Shifter
18	IH-355600-R93	1		Package, First & Reverse Shifter Fork Service
19	721-0184	1	/P	O-Ring, 1/2 X 5/8 X 1/16

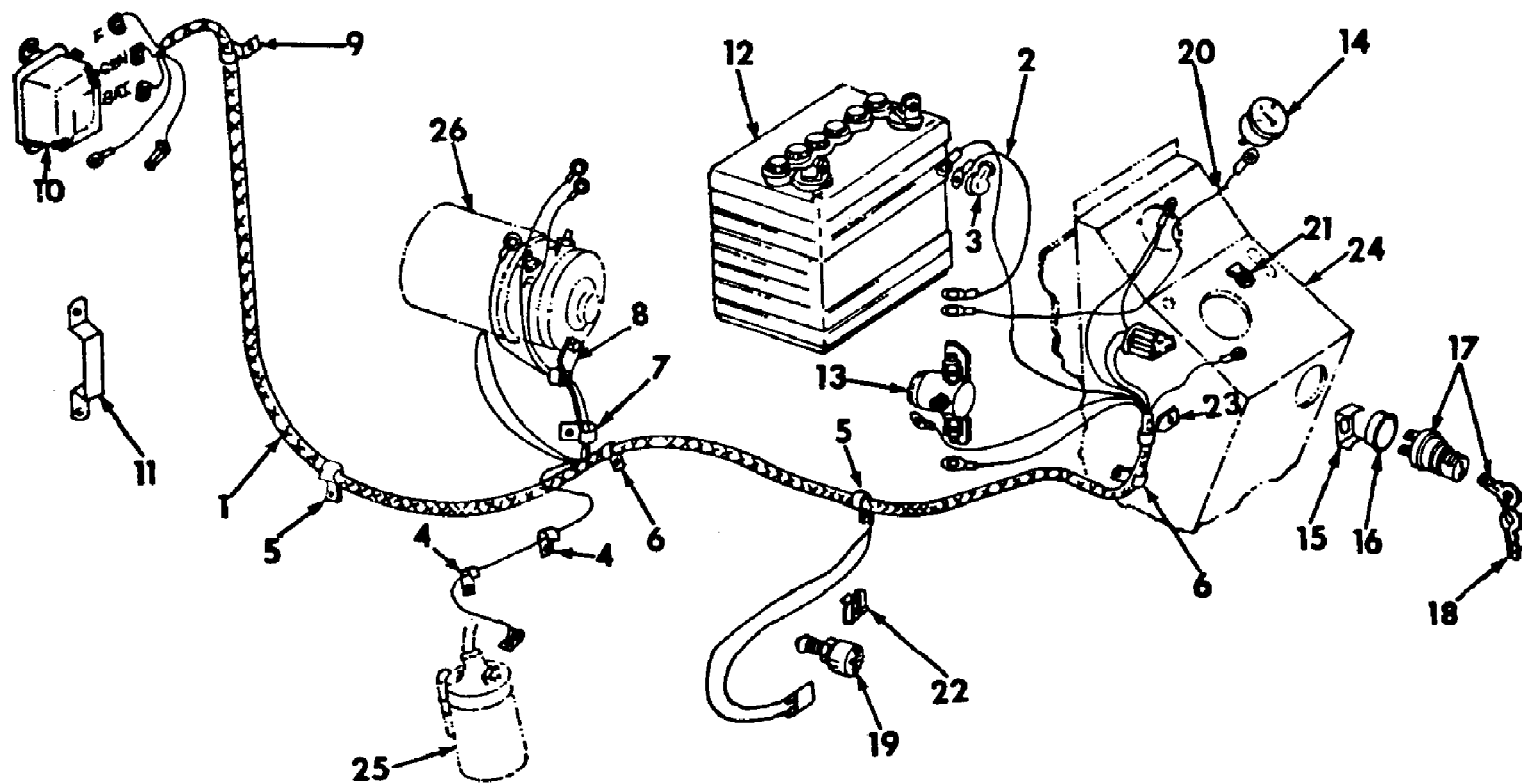


Ref #	Part Number	Qty	S/P/F	Description
1	~NLA	1		Frame Assy
		2		Screw, 3/8-16 X 11/16 Hex Hd Cap Common Hardware Purchase Locally
		2		Screw, 3/8-16 X 1-1/4 Hex Hd Cap Common Hardware Purchase Locally
	IH-21318-R1	2		Screw, 3/8-16 X 2-1/2 Hex Hd Cap
		2		Washer, 3/8 Med Lock Common Hardware Purchase Locally
		2		Nut, 5/16-24 Weld Pilot Std Common Hardware Purchase Locally
2	IH-528534-R1	2		Hood Assy
	710-3005	2	/P	Screw, 3/8-16 X 1-1/4 C-Z Hex Hd Cap
	736-0140	2	S	Washer, 13/32 X 13/16 X .062
	IH-385525-R1	2	S	Nut, 3/8-16 Gripco Center Lock
3	IH-397457-R1	1	S	Shield, Clutch
	IH-172415	2	S	Screw, 12-24 X 1/2 C-Z Hex Hd Cap
		2		Washer, No. 12 C-Z Ext Tooth Lock Common Hardware Purchase Locally
4	~NLA	1		Housing, Grille
	710-0514	2	/P	Screw, 3/8-16 X 1 C-Z Hex Hd Cap
	710-0520	4	/P	Screw, 3/8-16 X 1-1/2 C-Z Hex Hd Cap
	712-0798	6	/P	Nut, 3/8-16 C-Z Hex
5	IH-529956-R1	1		Grille
6	~NLA	1		Strip, Panel
		4		Bolt, 1/4-20 X 1/2 C-Z Hex Hd Common Hardware Purchase Locally
	736-0329	4	S	Washer, 1/4 C-Z Med Lock Washer, 9/32 X 5/8 C-Z
7	IH-391347-R1	2	S	Spring, Hold Down
8	IH-404785-R2	1		Bracket Assy, Front Hood
9		1		Pedestal Assy
	710-0514	1	/P	Screw, 3/8-16 X 1 Hex Hd Cap
	710-3000	3	S	Screw, 3/8-16 X 3/4 C-Z Hex Hd Cap
	IH-25708-R1	4	S	Washer, 13/32 X 3/4 X 11 Ga C-Z
10	735-3007	2	S	Pad, Hood Bumper
11	IH-384908-R1	1		Grommet, Instrument Panel
12	IH-528405-R1	1		Cowl, Instrument Panel
	IH-432281	1		Plug, 29/32 Crb Button
	IH-159921	6		Screw, 10-24 X 1/2 Crp Cr Rec Pan Hd Mach
13	~NLA	1		Hitch Assy, Quick
	738-3001	2	S	Bolt, Implement Mtg Shoulder
	711-3010	2	S	Pin, 3/8 X 1-3/32 Std Hd C-Z
	714-0507	2	S	Pin, 3/32 X 3/4 Cot C-Z
	736-0272	2	S	Washer, Implement Mtg
14	~NLA	1		Sheet, Bottom Clutch Shield
	IH-172415	4	S	Screw, 12-24 X 1/2 C-Z Hex Hd Cap
		4		Washer, No. 12 C-Z Ext Tooth Lock Common Hardware Purchase Locally
15	~NLA	1		Support, Rear Hood

126
Hood, Grille & Frame

Page 39 of 70

Ref #	Part Number	Qty	S/P/F	Description
	736-0275	4	S	Washer, 11/32 X 11/16 X .065 C-Z
	736-0119	4	S	Washer, 5/16 C-Z Med Lock
		4		Screw, 5/16-18 X 1/2 Cdp Hex Hd Cap Common Hardware Purchase Locally
16	711-3005	1	/P	Washer, Front Axle Pivot Pin Rear
17	IH-384837-R1	1		Bracket, Front Axle Pivot Pin Front
18	~NLA	2		Bearing, Clutch Pedal Shaft
19	IH-530148-R1	2		Pad, Hood Bumper
20		1		Not used in this application
21	IH-402344-R3	2	S	Spring, Latch
22	IH-401631-R1	2		Latch Assy, Hood
	IH-188978	4		Screw, 10-24 X 3/8 C-Z Hex Mach
	IH-138479	4		Washer, No. 10 C-Z Ext Tooth Lock

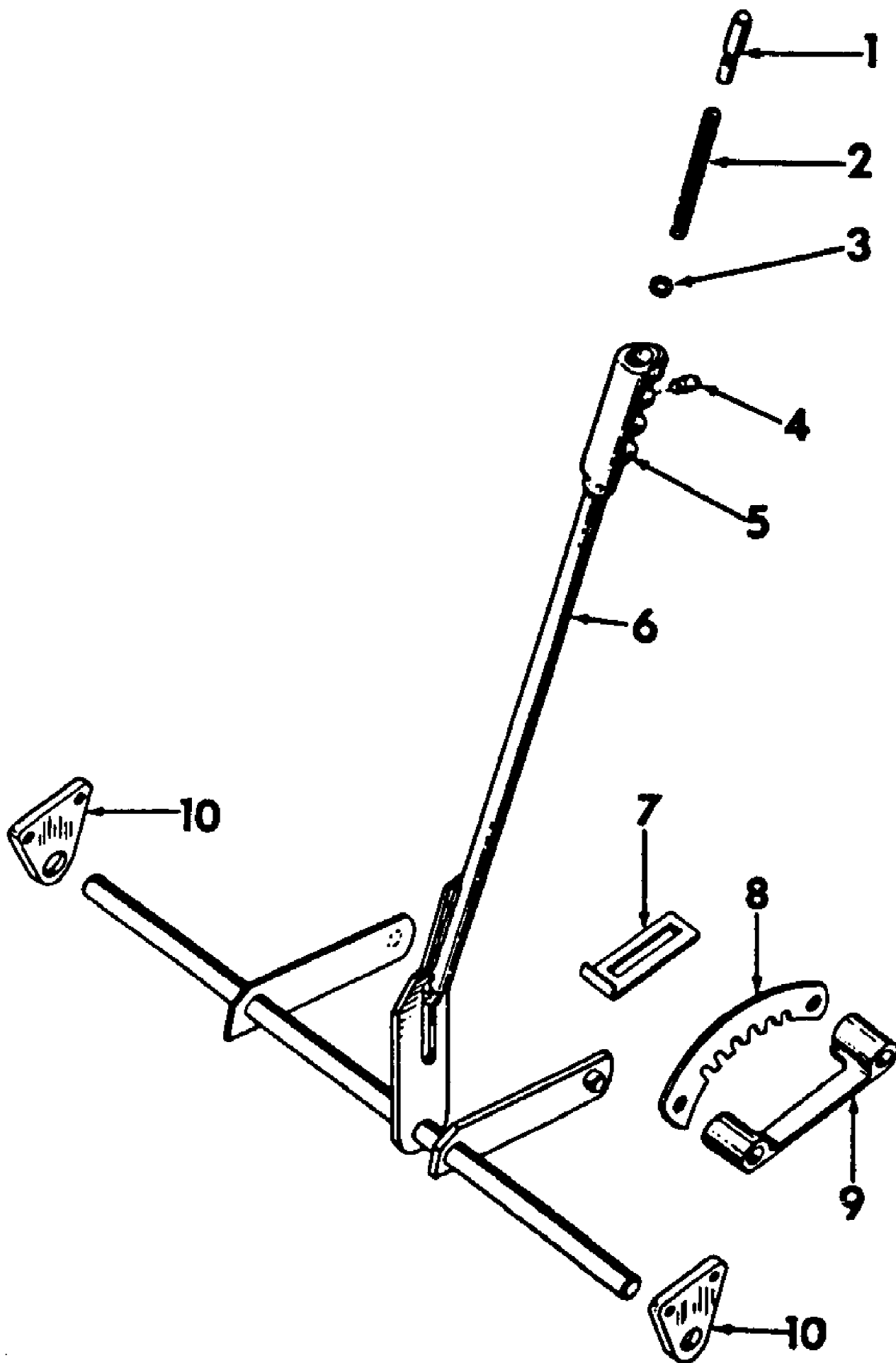


Ref #	Part Number	Qty	S/P/F	Description
1		1		Harness Assy, Cable (Not serviced separately, order wiring package IH-59321-C91)
2	IH-376287-R92	1	S	Cable Assy, Battery to Magnetic Switch
	710-0451	1	/P	Bolt, 5/16-18 X 3/4 C-Z Sq-Nk Crg
	712-3006	1	/P	Nut, 1/4-20 C-Z Hex
	712-0267	1	S	Nut, 5/16-18
	710-3015	1	/P	Screw, 1/4-20 X 3/4 C-Z Hex Hd Cap
	736-0329	1	S	Washer, 1/4 C-Z Med Lock
	736-0119	1	S	Washer, 5/16 C-Z Med Lock
	736-3020	1	S	Washer, 17/64 X 5/8 X .049 C-Z
3	IH-364910-R1	1		Cover, Battery Terminal
4	726-3025	2	S	Clip, Ignition Cable
5	IH-370383-R1	2		Clip, Cable Harness (On RH rear grille housing mounting bolt)
	712-3019	1	S	Nut, 7/16 C-Z Hex
		1		Screw, 7/16-14 X 5/8 C-Z Hex Hd Cap Common Hardware Purchase Locally
	736-0171	1	S	Washer, 7/16 C-Z Med Lock
6	726-3007	2		Clip, Cable Harness, Long
	712-3019	1	S	Nut, 7/16 C-Z Hex
		1		Screw, 7/16-14 X 5/8 C-Z Hex Hd Cap Common Hardware Purchase Locally
	736-0171	1	S	Washer, 7/16 C-Z Med Lock
7	726-3015	1	S	Clip, Generator Cable
8	IH-363660-R1	1		Clip, Cable Harness (On motor generator rear mounting bolt, twisted)
9	726-3015	1	S	Clip, Cable Harness (On upper RH hole in grille housing)
10	IH-545130-R92	1	S	Regulator, Voltage
11	~NLA	1		Bracket, Voltage Regulator
	736-0329	2	S	USE 936-0329 WASHER-LOCK
12	IH-PRLU	1	S	Battery, Prestolite 9948X, 12 Volt
13	IH-1114532	1	S	Switch Assy, Magnetic
	736-0222	2	S	USE 936-0222 WASHER-EXTERN
14	725-3023	1	S	Indicator Assy, Charge
15	IH-402239-R1	1		Retainer, Ignition Switch
16	IH-402238-R1	1		Socket, Ignition Switch
17	IH-60736-C2	1	S	Switch Assy, Battery Ignition
	IH-365502-R1	1		NUT
	IH-375431-R1	1		WASHER
18	IH-382458-R2	1	S	Key, Switch
19	725-3038	1	S	Switch Assy, Safety Start
20	IH-404424-R1	1		Cable Assy, Charge Indicator
21		1		Not used in this application
22	726-3021	1		Clip, Safety Starting Switch Cable Snap On
23	IH-363660-R1	1		Clip, Cable Harness (On battery & instrument panel front RH mounting bolt below battery tray)

126
Ignition & Starting

Page 42 of 70

Ref #	Part Number	Qty	S/P/F	Description
	710-3000	1	S	USE 710-0216 SCREW-HEX 3/8-16
	736-0169	1	S	USE 936-0169 WASHER LOCK-3/8
	712-0798	1	/P	NUT
24		1		Pedestal Assy (Refer to hood, grille & frame listing)
25		1		Coil, Ignition (Refer to engine listing)
26		1		Motor Assy, Generator (Refer to motor generator listing)
	IH-59321-C91	1	/P	Package, Wiring
	IH-404379-R4	1	S	Harness Assy
	IH-370383-R1	1		Clip

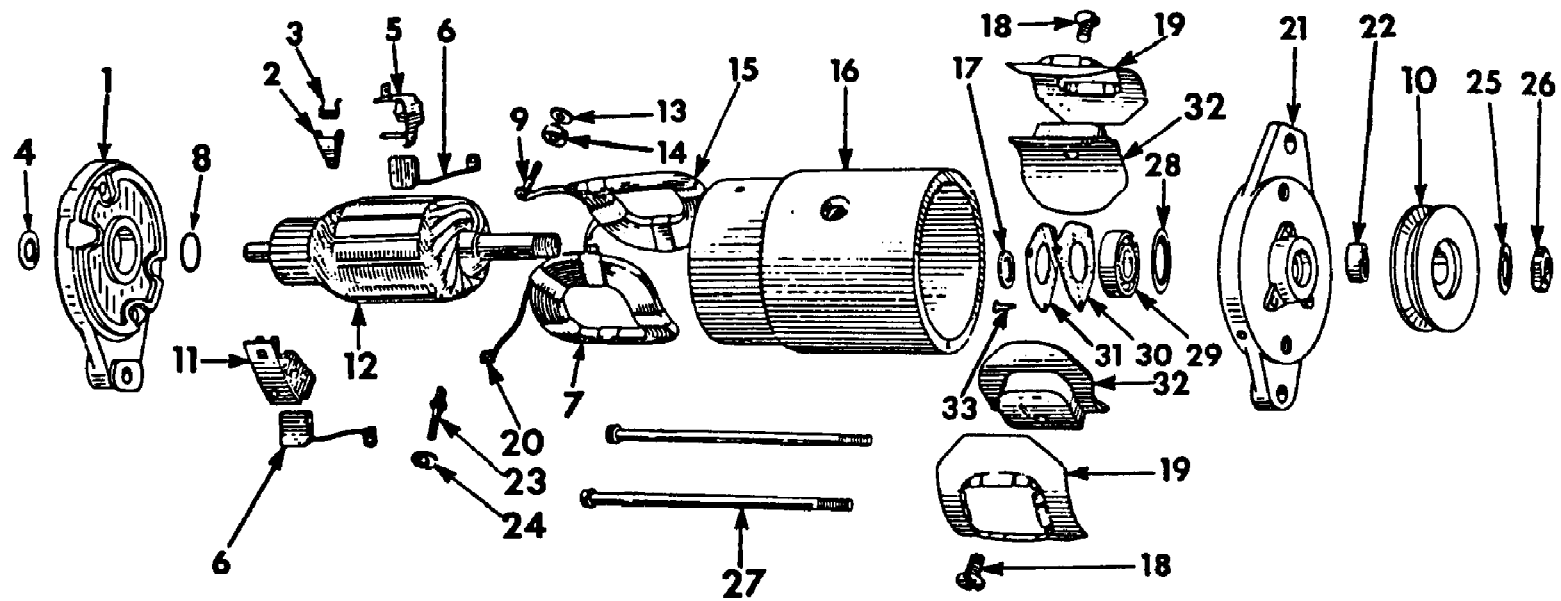


Implement Handle & Connections

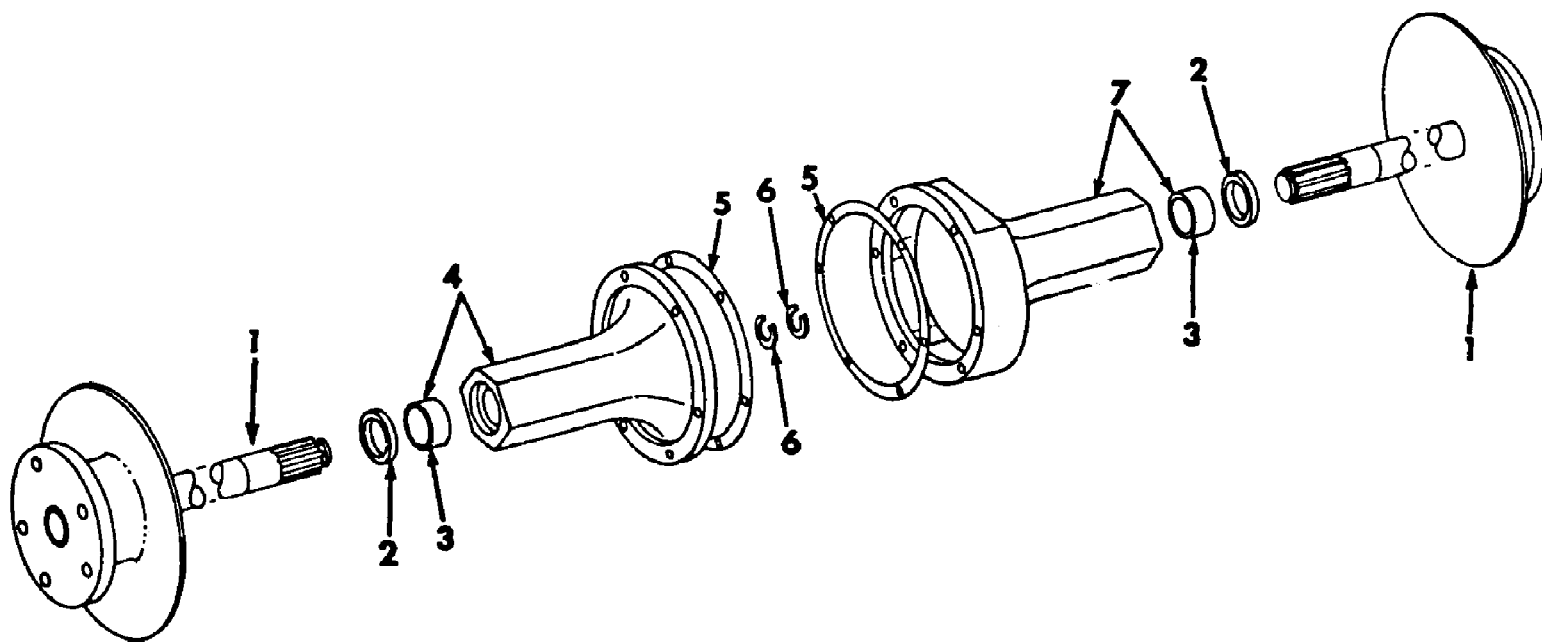
Ref #	Part Number	Qty	S/P/F	Description
1	IH-401456-R2	1		Pin, Release Rod
2	732-3005	1	S	Spring, Rod Return
3	736-3009	1	/P	Retainer, Spring
4	IH-401449-R1	1		Lock Assy, Release Rod
5	IH-401448-R1	1		Grip
6	IH-401441-R91	1		Handle w/Grip, Lift
7	IH-384740-R2	1		Stop, Lift Arm
		1		Bolt, 1/2-13 X 1-1/4 C-Z Crg Common Hardware Purchase Locally
	712-0206	1	S	Nut, 1/2-13 C-Z Hex
	736-0921	1	S	Washer, 1/2 C-Z Med Lock
	736-0272	1	S	Washer, 17/32 X 1-1/16 X .095 C-Z
8	703-0364	1		Ratchet, Lift
9	IH-400382-R1	1		Spacer Assy, Lift Ratchet
		2		Bolt, 3/8-16 X 2-1/4 Sq Nk Crg Common Hardware Purchase Locally
		2		Nut, 3/8-16 Hex Common Hardware Purchase Locally
	736-0148	2	/P	Washer, 3/8 Ext Tooth Lock
10	IH-384739-R1	2		Bracket, Lift Handle Shaft
		4		Screw, 3/8-16 X 3/4 Hex Hd Cap Common Hardware Purchase Locally

126
Motor Generator

Page 45 of 70



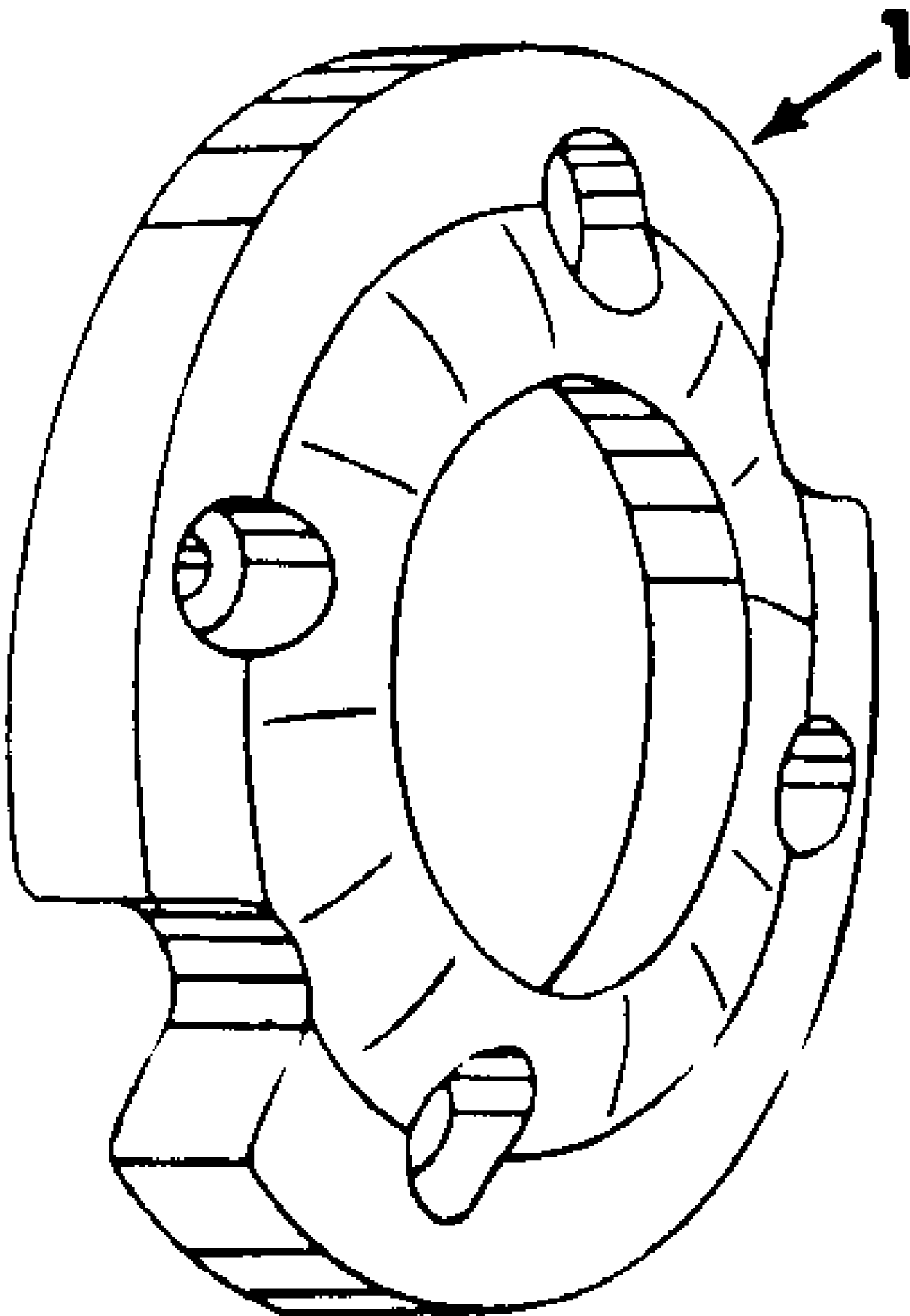
Ref #	Part Number	Qty	S/P/F	Description
	IH-330820Z	1		Motor Generator Assy, 12 Volt
1	IH-800213	1		Frame Assy, Commutator End
2	IH-1944373	2		Arm, Brush
3	IH-1916324	2		Spring, Brush
4	~NLA	1		Plug, Commutator End Wick
5	~NLA	1		Holder, Brush Ground
6	IH-1946427	2	S	Brush
7	759-3358	1		Coil, Field (Set of two)
8	~NLA	1		Retainer, Commutator End
	~NLA	1		Washer, Commutator End Felt
	IH-1947350	1		Wick, Commutator End
9	~NLA	1		Stud, Terminal Field
10	KH-231278	1	S	Pulley, Motor Generator (Not included in motor generator assy)
11	IH-1940422	1		Holder, Brush Insulated
12	~NLA	1		Armature (Used with IH-1101691)
	IH-800212	1		Armature (Used with IH-1101692)
13	IH-1858753	1		Washer, Terminal Stud Insulating
14	IH-1939894	1		Bushing, Field Terminal Insulating Inside
15	759-3358	1		Coil, Field (Set of two)
16		1		Frame (Not serviced separately)
17	IH-1861591	1		Collar, Drive End Spacer, Inside
18	IH-1968396	2		Screw, Pole Shoe
19	IH-1912073	2		Insulator, Field Coil
20	~NLA	1		Clip, Terminal to Brush
21	~NLA	1		Frame, Drive End
22	IH-1959991	1		Collar, Drive End Space
23	IH-1858749	2		Stud, Terminal
24	IH-1921362	1		Bushing, Armature Terminal Insulating
25	IH-1941978	1		Washer, Drive End Shaft Lock Nut
26	IH-1915172	1		Nut, Drive End Shaft
27	IH-809763	2		Bolt, Thru
28	IH-1947344	1		Plate, Drive End Grease Slinger
29	741-0361	1	S	Ball Bearing, Drive End
30	IH-1912008	1		Gasket, Drive End Retainer Plate
31	IH-1971993	1		Plate, Drive End Retainer
32	~NLA	2		Shoe, Pole w/Notch
33	IH-1914580	3		Screw, Drive End Retainer Plate



126
Rear Axle

Page 48 of 70

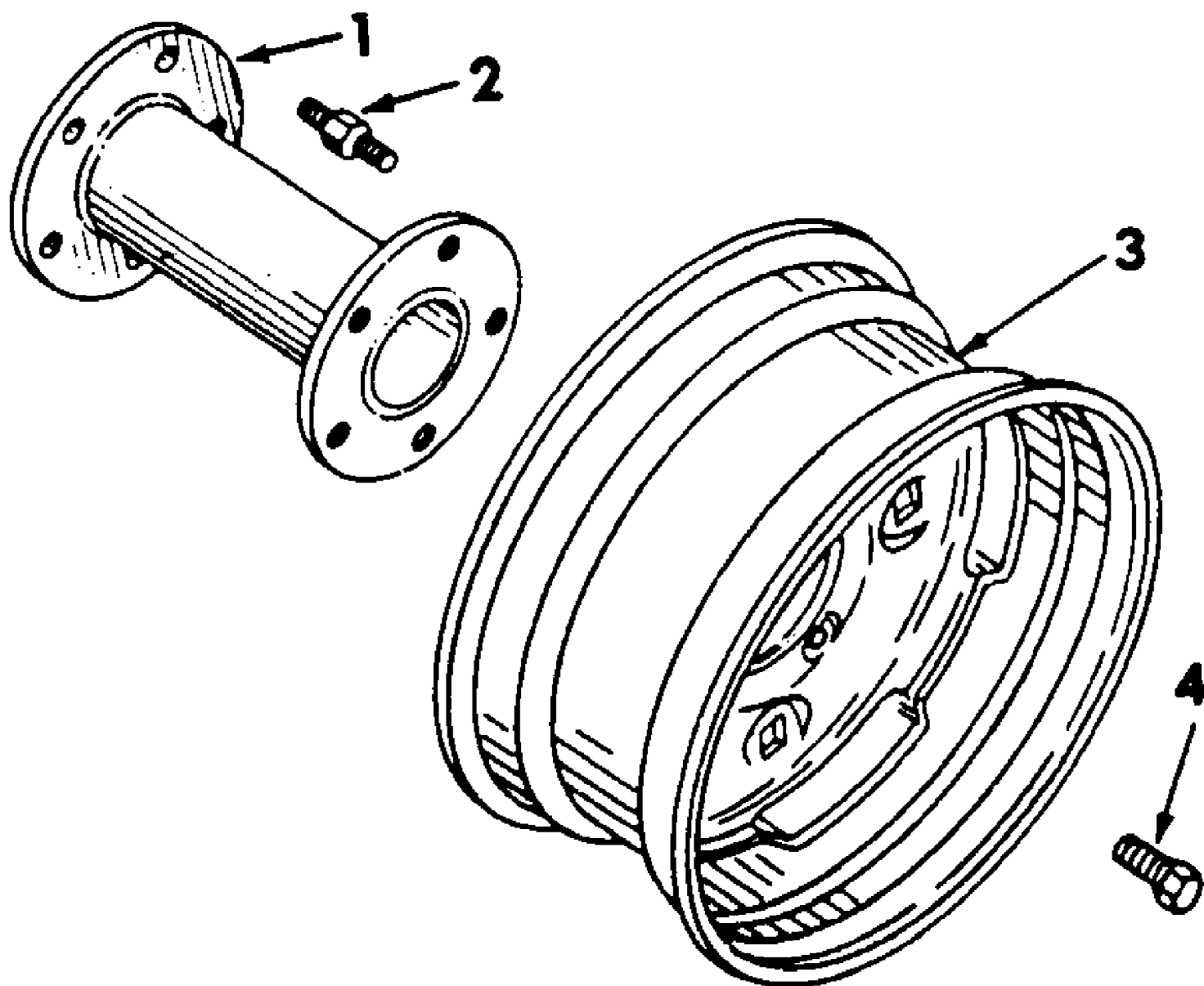
Ref #	Part Number	Qty	S/P/F	Description
1	IH-531180-R2	2	/P	Axle Assy, Rear
2	721-0187	2	S	Seal, Rear Axle Oil
3	741-0363	2	S	Bearing, Rear Axle Carrier Needle
4	IH-397322-R11	2		Carrier, Rear Axle LH
	IH-24840-R1	4		Screw, 3/8-16 X 1 Hex Hd Cap
5	721-3014	2	/P	Gasket, Rear Axle Carrier
6	IH-378066-R1	2		Ring, Rear Axle Retaining Snap
7	703-0906	1	/P	Carrier, Rear Axle RH
	710-3011	4	/P	Screw, 3/8-16 X 2-1/4 Hex Hd Cap



126
Rear Wheel Weights

Ref #	Part Number	Qty	S/P/F	Description
1	~NLA	2	F	Weight, Rear Wheel (Approx 26 lbs)
		4		Bolt, 1/2-13 X 5-1/4 Crg Common Hardware Purchase Locally
	712-3034	4	S	Nut, 1/2-13 Hex
	736-0921	4	S	Washer, 1/2 Med Lock
	~NLA	2	F	Weight, Rear Wheel (Approx 26 lbs)
		4		Bolt, 1/2-13 X 7 Crg Common Hardware Purchase Locally
	712-3034	4	S	Nut, 1/2-13 Hex
	736-0921	4	S	Washer, 1/2 Med Lock

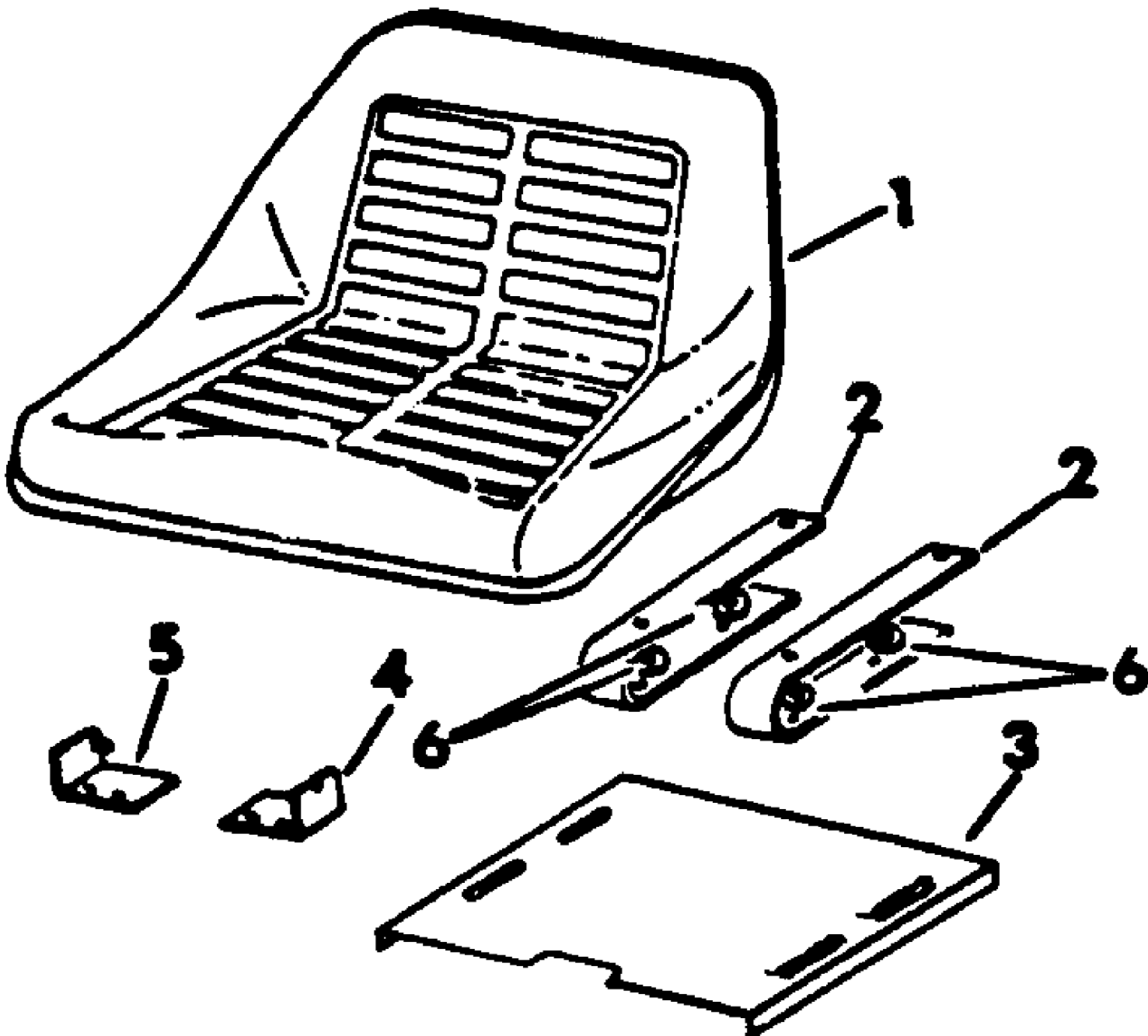
126
Rear Wheels



126
Rear Wheels

Page 52 of 70

Ref #	Part Number	Qty	S/P/F	Description
1	IH-381187-R11	2		Tube, Dual Rear Wheel
2	~NLA	10		Stud, Dual Rear Wheel Spacer
	IH-271506	10		Nut, 7/16-20 Cd Pltd Hex
	736-0171	10	S	Washer, 7/16 Cd Pltd Med Lock
3	IH-376189-R91	2	/P	Wheel Assy, Rear w/55A Rim for 6-12 Tires
	734-3013	2	S	Wheel Assy, Rear w/8-1/2 JA-12 Rim for 23 X 10.50-12 Tires
4	710-3027	10	/P	Bolt, Rear Wheel
	IH-387897-R91	2		Valve, TR-415 Tubeless Type



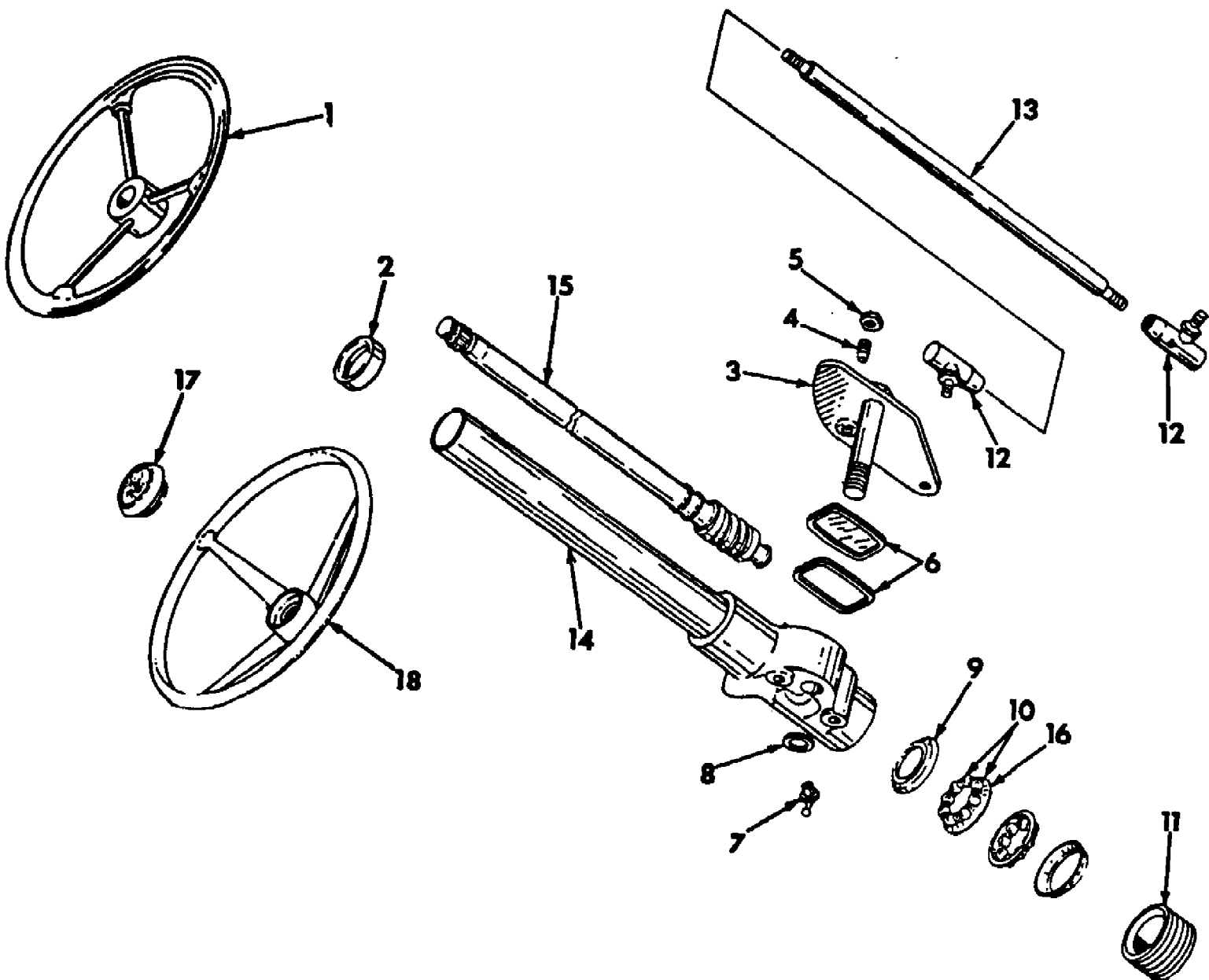
126
Seat & Support

Page 54 of 70

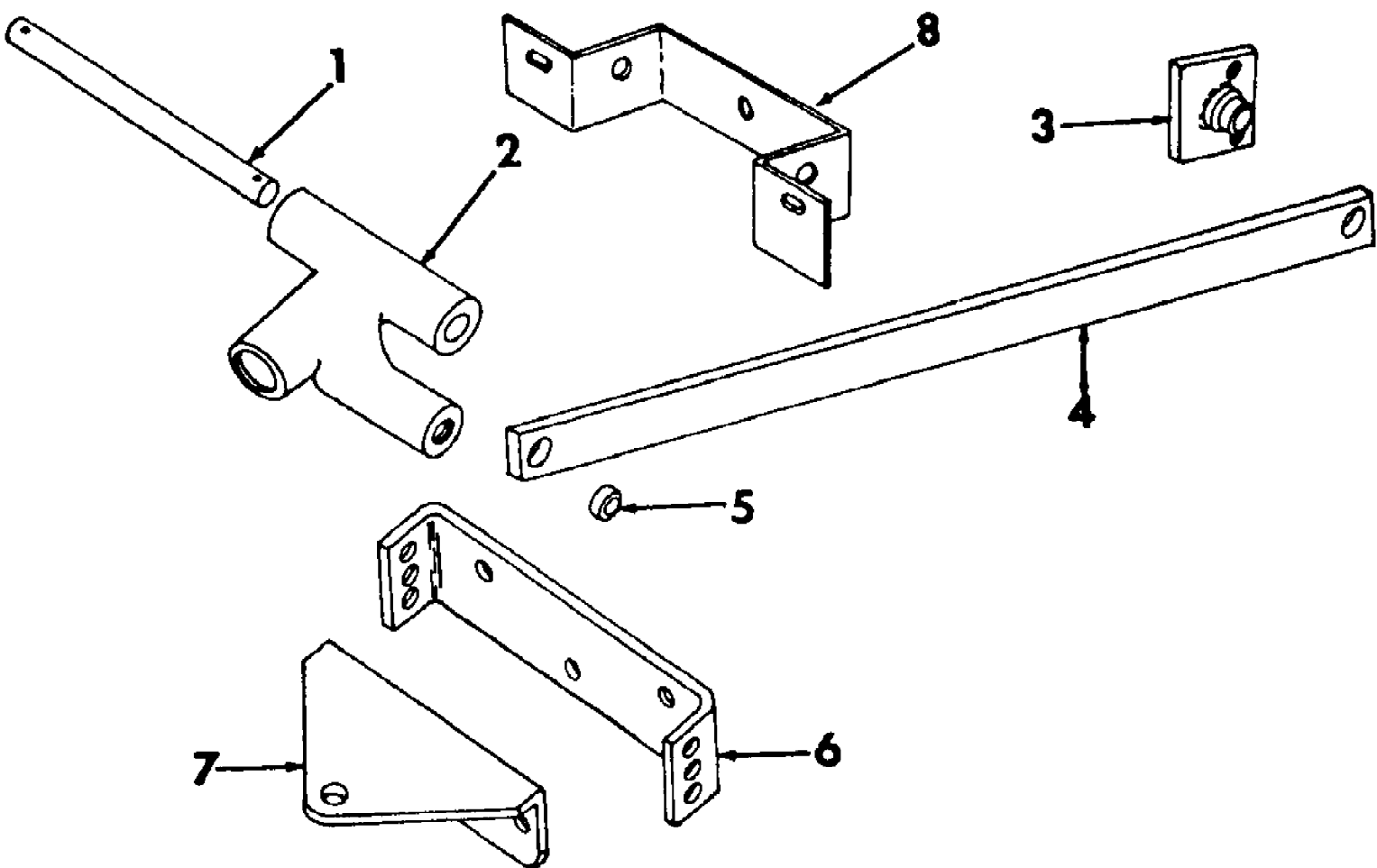
Ref #	Part Number	Qty	S/P/F	Description
1	759-3148	1	/P	Seat Assy
2	703-0068	2	/P	Spring, Dual
	710-0118	4	S	Screw, 5/16-18 X 3/4 Znd Hex Hd Cap
		4		Washer, 5/16 Znd Med Spring Lock Common Hardware Purchase Locally
3	~NLA	1		Cover, Dual Spring
	710-0376	4	/P	Screw, 5/16-18 X 1 Znd Hex Hd Cap
	736-3008	4	S	Washer, 11/32 X 3/4 X 11 Ga C-Z
	712-0267	4	S	Nut, 5/16-18 C-Z Hex
4	~NLA	1		Bracket Assy, Pivot LH
	710-3000	2	S	Screw, 3/8-16 X 3/4 Znd Hex Hd Cap
	736-0169	2	S	Washer, 3/8 Med Lock
5	~NLA	1		Bracket Assy, Pivot RH
	710-0118	4	S	Screw, 5/16-18 X 3/4 Znd Hex Hd Cap
	710-3000	2	S	Screw, 3/8-16 X 3/4 Znd Hex Hd Cap
	736-0169	2	S	Washer, 3/8 Med Lock
6	736-3070	4	/P	Washer, 11/32 X 1-1/2 X 11 Ga C-Z

1	KH-PA-47504D 710-0514 736-0169 IH-25708-R1	Engine Assembly, Kohler K-301-A, 12 HP Screw, 3/8-16 X 1 C-Z Hex Hd Cap Washer, 3/8 C-Z Med Lock Washer, 13/32 X 3/4 X 11 Ga (Used with rear mounting bolts)	1 4 4 2
2	KH-77-522-12	Engine Assembly, Short Block, Kohler C-235964, 12 HP Bearing Plate, Bearing & Bushing Bearing Plate Gasket Breaker Assembly Breaker Rod Camshaft Assembly Camshaft Cover Camshaft Cover Gasket Camshaft Pin Camshaft Spacers Connecting Rods Crankshaft Cylinder Block Assembly Exhaust Valves Front Oil Seal Governor Gear Assembly Governor Cross Shaft Assembly Governor Stop Spring Intake Valve Rear Oil Seal Spring Upper Retainer Tappets Valve Keeper Valve Spring Valve Spring Retainer	1

Ref #	Part Number	Qty	S/P/F	Description
1	KH-PA-47504D	1		Engine Assembly, Kohler K-301-A, 12 HP
	710-0514	4	/P	Screw, 3/8-16 x 1 C-Z Hex Hd Cap
	736-0169	4	S	Washer, 3/8 C-Z Med Lock
	IH-25708-R1	2	S	Washer, 13/32 x 3/4 x 11 Ga (Used with rear mounting bolts)
2	KH-77-522-12	1	/P	Engine Assembly, Short Block, Kohler C-235964, 12 HP
		1		Bearing Plate, Bearing & Bushing
		1		Bearing Plate Gasket
		1		Breaker Assembly
		1		Breaker Rod
		1		Camshaft Assembly
		1		Camshaft Cover
		1		Camshaft Cover Gasket
		1		Camshaft Pin
		1		Camshaft Spacers
		1		Connecting Rods
		1		Crankshaft
		1		Cylinder Block Assembly
		1		Exhaust Valves
		1		Front Oil Seal
		1		Governor Gear Assembly
		1		Governor Cross Shaft Assembly
		1		Governor Stop Spring
		1		Intake Valve
		1		Rear Oil Seal
		1		Spring Upper Retainer
		1		Tappets
		1		Valve Keeper
		1		Valve Spring
		1		Valve Spring Retainer



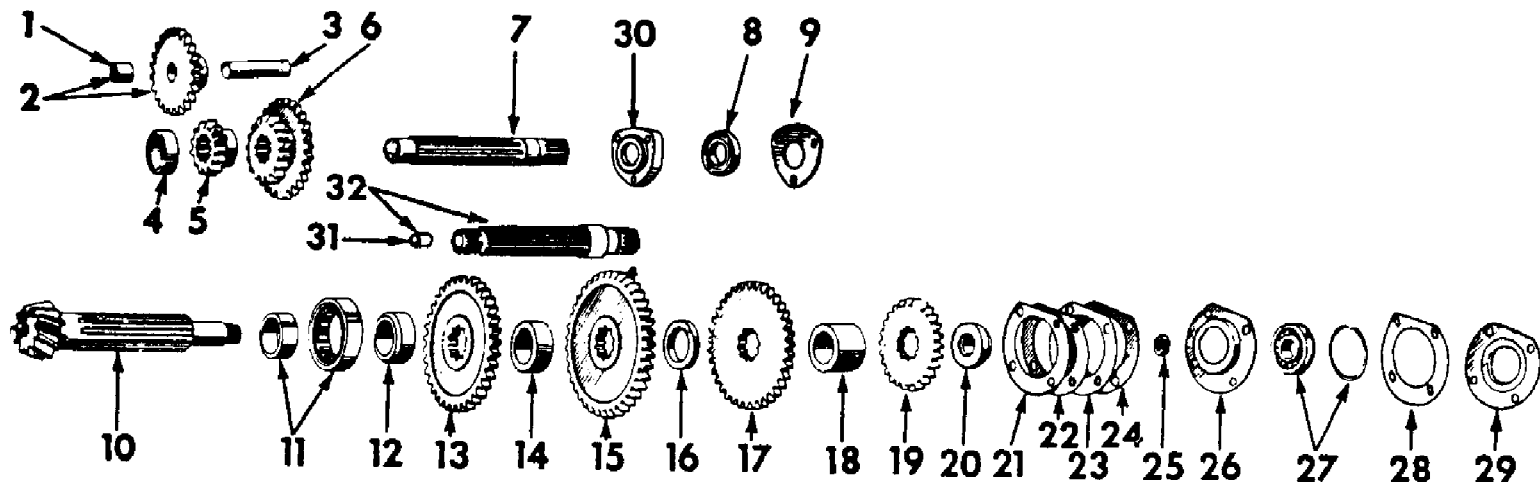
Ref #	Part Number	Qty	S/P/F	Description
	IH-528894-R91	1	S	Gear Assy, Steering (Composed of parts in this unit except as noted)
	710-3001	2	/P	Screw, 3/8-16 X 7/8 Hex Hd Cap
		2		Washer, 3/8 Med Lock Common Hardware Purchase Locally
1		1		Not used in this application
2	741-3000	1	S	Bearing, Upper Column
	723-3001	1	S	Seal, Steering Gear
3	IH-385522-R1	1		Lever & Bolt Assy
	~NLA	2		Nut, 5/8-18 Hex Jam
4	IH-62806-C1	1	S	Stud, Cam Follower
5	IH-192510-R1	1	S	Nut, Cam Follower Stud
6	IH-394936-R91	1		Package, Seal & Seal Retainer
		1		Nut, 5/8-18 C-Z Low Crown Common Hardware Purchase Locally
7	IH-273360	1		Fitting, 1/4 65 Deg Angle Drive Lube
8	IH-308362-C1	1		Washer, Flat Cd Pltd
9	IH-379405-R1	2	S	Retainer, Bearing Ball
10	IH-389081-R91	2	S	Retainer & Ball Assy
11	IH-394288-R1	1	/P	Plug, Adjusting
	714-3015	1		Pin, 1/8 X 1/2 Cot
12	723-3000	2	S	Joint Assy, Drag Link Ball
	712-3002	2	S	Nut, 3/8-24 C-Z Slit Hex
	714-0474	2	S	Pin, 1/8 X 3/4 C-Z Cot
13	IH-384801-R1	1		Link, Steering Gear Drag (These parts are not included in the steering gear assembly.)
	712-3001	2	S	Nut, 3/8-24 Hex Jam
14	IH-529277-R1	1		Tube Assy, Housing & Jacket
15	IH-529278-R1	1	S	Cam & Tube Assy
	~NLA	1		Nut, 5/8-18 Hex Jam
16	IH-389081-R1	2	S	Retainer, Ball
17	731-3012	1	S	Cap, Steering Wheel (These parts are not included in the steering gear assembly.)
18	IH-401225-R1	1	/P	Wheel, Steering (These parts are not included in the steering gear assembly.)
	712-3056	1	/P	Nut, 5/8-18 C-Z Hex Jam



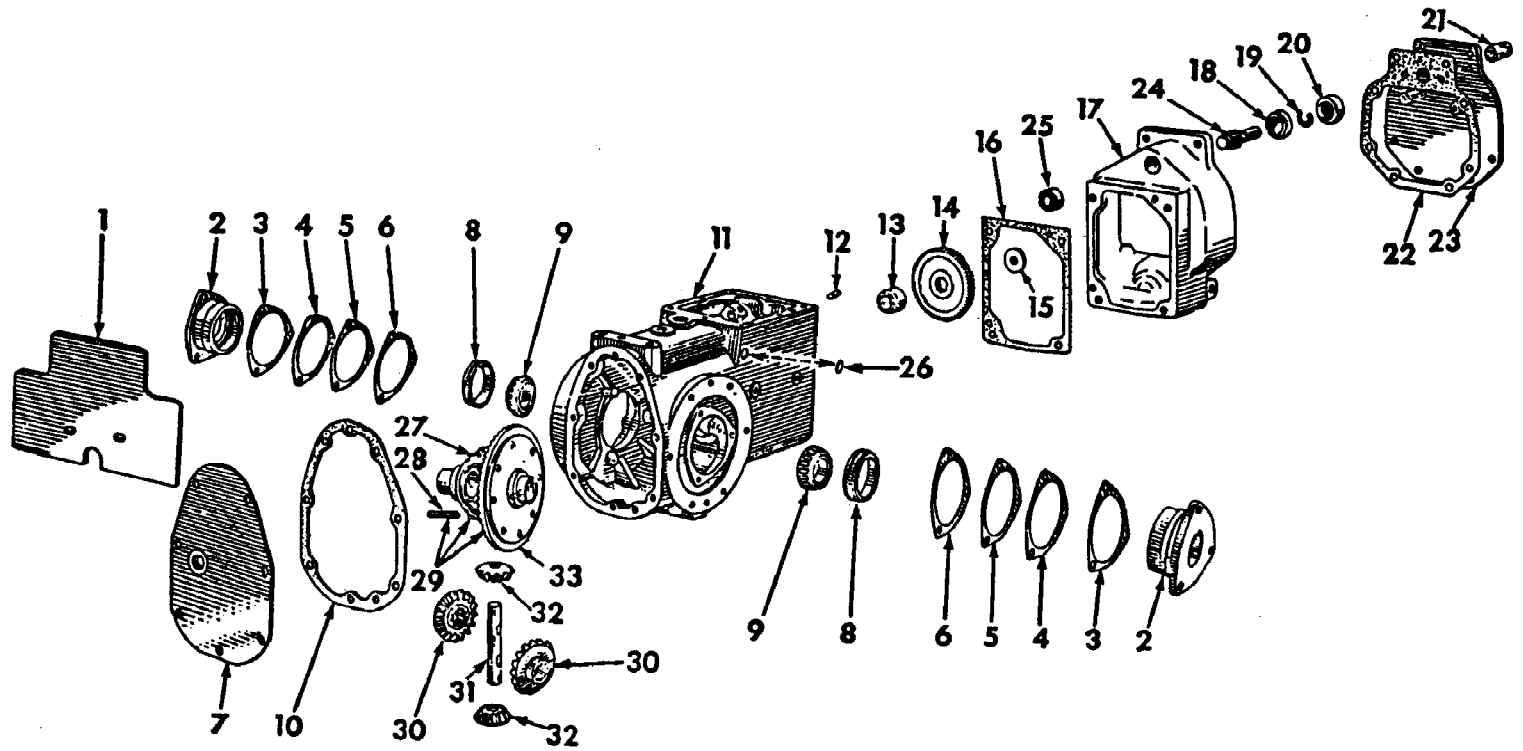
Three Point Hitch & Drawbar

Ref #	Part Number	Qty	S/P/F	Description
1	IH-530502-R1	1		Shaft, Lift Lever
	714-0111	2	S	Pin, 3/32 X 7/8 Cot
2	IH-384655-R1	1		Lever, Lift
		1		Screw, 1/2-13 X 1-3/8 C-Z Hex Hd Cap Common Hardware Purchase Locally
	736-0921	1	S	Washer, 1/2 C-Z Med Lock
	736-0272	1	S	Washer, 17/32 X 1-1/16 X .095 C-Z
3	IH-384679-R11	1		Plate Assy, Lift Bar Attaching
		1		Pin, 3/32 X 1 Cot Common Hardware Purchase Locally
	IH-20240-R1	2		Screw, 5/16-18 X 7/8 C-Z Hex Hd Cap
	736-0119	2	S	Washer, 5/16 C-Z Med Lock
	736-0275	2	S	Washer, 11/32 X 11/16 X .065 C-Z
4	IH-384677-R1	1		Bar, Lift
5	711-3073	1	/P	Spacer, Lift Bar
6	703-0400	1	S	Link, Lower Hitch
	710-3005	3	/P	Screw, 3/8-16 X 1-1/4 C-Z Hex Hd Cap
7	703-0401	1		Drawbar, Fixed
	IH-24840-R1	3		Screw, 3/8-16 X 1 Hex Hd Cap
8	IH-529176-R1	1		Bracket, Lift Lever Mounting
		2		Screw, 3/8-16 X 3/4 Hex Hd Cap Common Hardware Purchase Locally

126
Transmission



Ref #	Part Number	Qty	S/P/F	Description
1	741-3020	1		Bushing, Reverse Idler Gear
2	717-3188	1	S	Gear Assy, Reverse Idler
3	IH-350869-R1	1		Shaft, Reverse Idler
		1		Screw, 1/4-20 X 7/8 Hex Hd Cap Common Hardware Purchase Locally
		1		Washer, 1/4 Med Lock Common Hardware Purchase Locally
4	741-0364	1	S	Bearing Assy, Transmission Main Shaft Rear Needle
5	717-3078	1	S	Gear, First & Reverse Speed Sliding -13T
6	IH-388597-R1	1		Gear, Second & Third Speed Sliding -19T & 26T
7	IH-384703-R1	1		Shaft, Transmission Main
8	741-0360	1	S	Bearing Assy, Transmission Main Shaft Front Ball
9	IH-384704-R1	1		Retainer, Transmission Main Shaft Front Brg
		3		Screw, 5/16-18 X 1-1/4 Hex Hd Cap Common Hardware Purchase Locally
10	~NLA	1		Countershaft & Bevel Pinion -13T
11	741-0367	1		Bearing Assy, Countershaft Rear Roller
12	717-3091	1		Spacer, Reverse Speed Gear & Countershaft Brg
13	717-3092	1	/P	Gear, Reverse Speed -35T
14	717-3091	1		Spacer, First & Reverse Speed Gear
15	717-3090	1	S	Gear, First Speed -39T
16	717-3089	1		Spacer, First & Second Speed Gear
17	IH-388596-R1	1		Gear, Second Speed -33T
18	717-3083	1		Spacer, Second & Third Speed Gear
19	717-3079	1	/P	Gear, Third Speed -26T
20	IH-385689-R2	1		Spacer, Third Speed Gear & Countershaft Brg
21	IH-350841-R2	2/AR	/P	Shim, Countershaft Brg Retainer, .004
22	IH-350842-R2	2/AR		Shim, Countershaft Brg Retainer, .007
23	IH-350843-R2	AR		Shim, Countershaft Brg Retainer, .0149
24	IH-350844-R2	AR		Shim, Countershaft Brg Retainer, .0299
25	IH-427350	1	S	Nut, Countershaft Front Brg Lock
26	IH-385688-R1	1		Retainer, Countershaft Brg (Also order spacer IH-385689-R2)
27	741-0366	1	/P	Bearing Assy, Countershaft Front Ball
	IH-ST686	1		Bearing Assy, Countershaft Front Ball
28	IH-350846-R1	1		Gasket, Countershaft Brg Retainer
		4		Screw, 5/16-18 X 11/16 Hex Hd Cap Common Hardware Purchase Locally
29	IH-376211-R1	1		Retainer, Countershaft Brg
30	IH-384705-R1	1		Cage, Transmission Main Shaft Front Brg
31	IH-350859-R1	1		Bushing, PTO Shaft Pilot
32	IH-387298-R11	1		Shaft Assy, Transmission Input (Tractors with PTO)

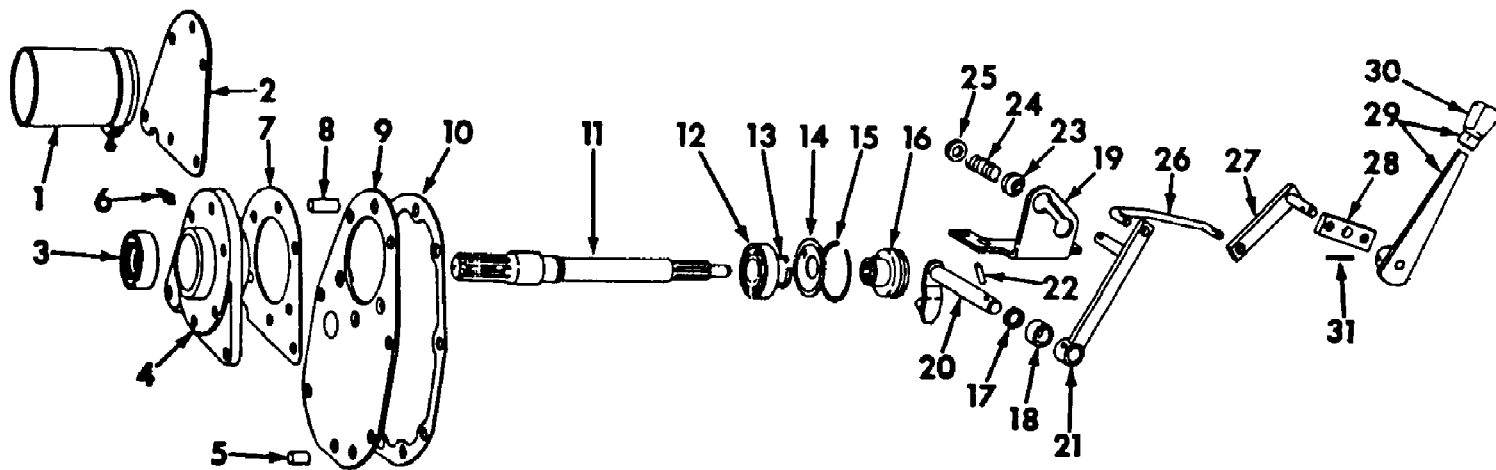


Transmission Case, Diff & Reduction Housing

Ref #	Part Number	Qty	S/P/F	Description
1	~NLA	1		Shield, Transmission Case Rear Cover
	IH-24839-R1	2	S	Screw, 3/8-16 X 5/8 Hex Hd Cap
2	IH-376158-R91	2		Cage w/Cup IH-ST974, Differential Brg
	IH-24840-R1	6		Screw, 3/8-16 X 1 Hex Hd Cap
		6		Washer, 3/8 Med Lock Common Hardware Purchase Locally
3	717-3097	3/AR	S	Shim, Differential Brg Retainer, .004
4	717-3098	4/AR	S	Shim, Differential Brg Retainer, .007
5	717-3099	2/AR	/P	Shim, Differential Brg Retainer, .0149
6	717-3100	2/AR	/P	Shim, Differential Brg Retainer, .0299
7	IH-106394-C1	1		Plate Assy, Transmission Case Rear Cover
	737-0177	1	/P	Plug, 1/2-14 Automotive Sq-Soc-Hd Drain
	IH-24839-R1	2	S	Screw, 3/8-16 X 5/8 Hex Hd Cap
8	IH-ST974	2		Bearing, Differential Cup
9	741-0369	2	/P	Bearing Assy, Differential Cone
10	IH-350837-R2	1	S	Gasket, Transmission Case Rear Cover Plate
11	IH-384699-R91	1		Case Assy, Transmission
	IH-444631	1		Plug, 1/2-14 Auto Sq-Hd Pipe
12	IH-350799-R1	2		Dowel, Transmission Case to Reduction Housing
13	IH-384713-R1	1		Spacer, Driven Reduction
14	717-3074	1		Gear, Reduction Drive -84T
15	~NLA	1		Retainer, Driven Reduction Gear
		1		Screw, 7/16-14 X 7/8 Hex Hd Cap Common Hardware Purchase Locally
		1		Washer, 7/16 Med Lock Common Hardware Purchase Locally
16	IH-376216-R1	1	S	Gasket, Reduction Drive Housing
17	IH-384706-R2	1		Housing, Reduction Drive
		2		Screw, 1/2-13 X 2 Hex Hd Cap Common Hardware Purchase Locally
		2		Screw, 1/2-13 X 3-1/4 Hex Hd Cap Common Hardware Purchase Locally
	736-0921	2	S	Washer, 1/2 Med Lock
	IH-387321-R1	2		Washer, Reduction Housing
	IH-379277-C1	1		Plug, 1-3/8 Cup
18	741-0361	1	S	Bearing Assy, Reduction Drive Shaft Front Ball
19	IH-384709-R1	1		Ring, Reduction Drive Shaft Brg Ext Snap
20	IH-385076-R91	1	S	Seal, Reduction Drive Shaft Oil
21	IH-394036-R1	1	S	Coupling, Clutch Shaft
	715-0114A	2	S	Pin, 1/4 X 1-1/2 Hv Coiled Spring
22	IH-384725-R1	1	S	Gasket, Reduction Housing Cover Plate
23	IH-384714-R11	1		Plate Assy, Reduction Housing Cover
		2		Screw, 3/8-16 X 1/2 Hex Hd Cap Common Hardware Purchase Locally
		6		Screw, 3/8-16 X 3/4 Hex Hd Cap Common Hardware Purchase Locally

Transmission Case, Diff & Reduction Housing

Ref #	Part Number	Qty	S/P/F	Description
24	717-3073	1	/P	Shaft, Reduction Drive
25	741-0362	1	S	Bearing Assy, Reduction Drive Shaft Rear
26	IH-172530	1		Plug, 11/16 Expansion
27		1		Not serviced separately
28	IH-350788-R1	1		Pin, Differential Pinion Shaft Lock
29	IH-223472-C91	1		Case w/Drive Gear, Differential
	~NLA	8		Rivet, 5/16 X 1-1/8 Rd Hd
30	~NLA	2		Gear, Differential Side
31	IH-350789-R1	1		Shaft, Differential Pinion
32	717-3113	2	/P	Pinion, Differential -10T
33	IH-350787-R1	1		Gear, Differential Drive -46T
	~NLA	8		Rivet, 5/16 X 1-1/8 Rd Hd

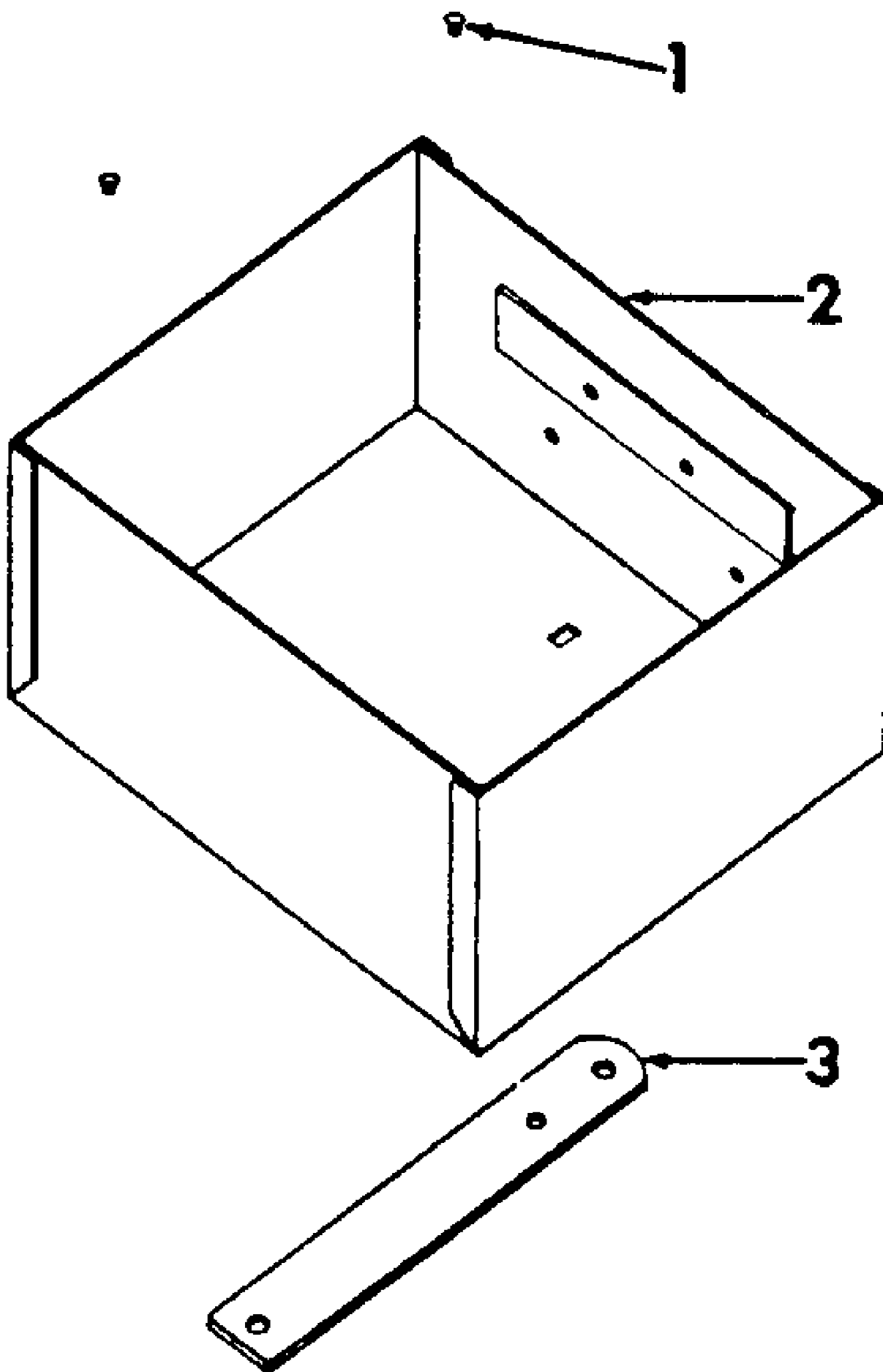


Transmission Driven Power Take-Off

Ref #	Part Number	Qty	S/P/F	Description
1	IH-54001-DX	1		Guard Assy, PTO Shaft
2	~NLA	1		Cover, Transmission Case Rear Cover Opening (For use when PTO is removed)
		5		Screw, 3/8-16 X 3/4 Hex Hd Cap Common Hardware Purchase Locally
		5		Washer, 3/8 Med Lock Common Hardware Purchase Locally
3	IH-126107-C1	1	S	Seal, PTO Shaft Oil
4	IH-387302-R1	1		Retainer, PTO Shaft Oil Seal & Brg
	710-0514	7	/P	Screw, 3/8-16 X 1 Hex Hd Cap
5	~NLA	1		Pin, Cover Lower Dowel
6	IH-273359	1		Fitting, 3/16 X 65 Deg Drive Type Lube
7	IH-351258-R2	1		Gasket, Rear Cover Opening (For use when PTO is removed)
	IH-351258-R2	1		Gasket, PTO Shaft Oil Seal & Brg Retainer
8	IH-357215-R1	1		Pin, Cover Upper Dowel
9	IH-387301-R11	1		Plate Assy, Transmission Rear Cover
		3		Screw, 3/8-16 X 3/4 Hex Hd Cap Common Hardware Purchase Locally
		3		Washer, 3/8 Med Lock Common Hardware Purchase Locally
10	IH-350837-R2	1	S	Gasket, Rear Cover
11	IH-368433-R91	1	/P	Shaft, PTO
12	741-0360	1	S	Bearing, PTO Shaft Ball
13	IH-122791-R1	1		Ring, PTO Shaft Brg Snap
14	IH-351272-R2	1		Retainer
15	IH-69696D	1		Ring, PTO Shaft Brg Snap
16	IH-351286-R2	1		Clutch, PTO Shifter
	IH-223016	1		Screw, 1/4-20 X 1/4 Hex Soc Hd Half Dog Pt Set
17	IH-351291-R1	1		Seal, PTO Shifter Shaft
18	IH-387305-R1	1		Spacer, PTO Shifter Lever
19	IH-394244-R1	1		Guide, PTO Shifter Arm
20	IH-394245-R91	1		Lever Assy, PTO Shifter
21	IH-394246-R11	1		Arm Assy, PTO Shifter
		1		Washer, 11/32 X 1 X .065 Common Hardware Purchase Locally
	714-3010	1	/P	Pin, 3/32 X 5/8 Cot
22	IH-617057-R1	1		Pin, 1/4 X 1 Hv Coiled Spring
23	IH-394249-R1	1		Washer, PTO Shifter Arm Ball
24	IH-43650-D	1		Spring, PTO Shifter Arm
25		1		Washer, 11/32 X 11/16 X .065 Common Hardware Purchase Locally
26	~NLA	1		Rod, PTO Control Lever Link
	736-0463	2	S	Washer, 9/32 X .508 X .065
		2		Pin, 1/16 X 1/2 Cot Common Hardware Purchase Locally
27	IH-394251-R1	1		Level Assy, PTO Control

Transmission Driven Power Take-Off

Ref #	Part Number	Qty	S/P/F	Description
28	IH-394253-R1	1		Bar, PTO Control Lever Brg
		2		Screw, 5/16-18 X 1/2 Hex Hd Cap Common Hardware Purchase Locally
		2		Washer, 5/8 Med Lock Common Hardware Purchase Locally
29	~NLA	1		Handle Assy, PTO Control
	~NLA	1		Washer, 3/8 X 3/4 X .065
30	IH-382805-R1	1		Knob, PTO Shifter Handle
31	~NLA	1		Pin, 1/8 X 7/8 Hv Coiled Spring
	IH-387298-R11	1		Shaft w/Bushing, Transmission Input (Illustrated with transmission)



126
Utility Box

Page 70 of 70

Ref #	Part Number	Qty	S/P/F	Description
1	~NLA	2		Pin, Drain Hole
		2		Pin, 1/16 X 1/2 C-Z Cot Common Hardware Purchase Locally
2	~NLA	1		Box Assy, Utility
	IH-24840-R1	2		Screw, 3/8-16 X 7/8 C-Z Hex Hd Cap
		2		Screw, 3/8-16 X 1-1/8 C-Z Hex Hd Cap Common Hardware Purchase Locally
	736-0169	4	S	Washer, 3/8 C-Z Med Lock
	IH-561277-R1	4		Spacer, Utility Box
3	IH-390025-R1	1		Extension, Drawbar
	710-0389	1	/P	Bolt, 3/8-16 X 3/4 C-Z Sq Nk Crg
		1		Bolt, 1/2-13 X 1-1/4 C-Z Sq Nk Crg Common Hardware Purchase Locally
	712-0206	1	S	Nut, 1/2-13 C-Z Hex
	712-0798	1	/P	Nut, 3/8-16 C-Z Hex
	736-0169	1	S	Washer, 3/8 C-Z Med Lock
	736-0921	1	S	Washer, 1/2 C-Z Med Lock