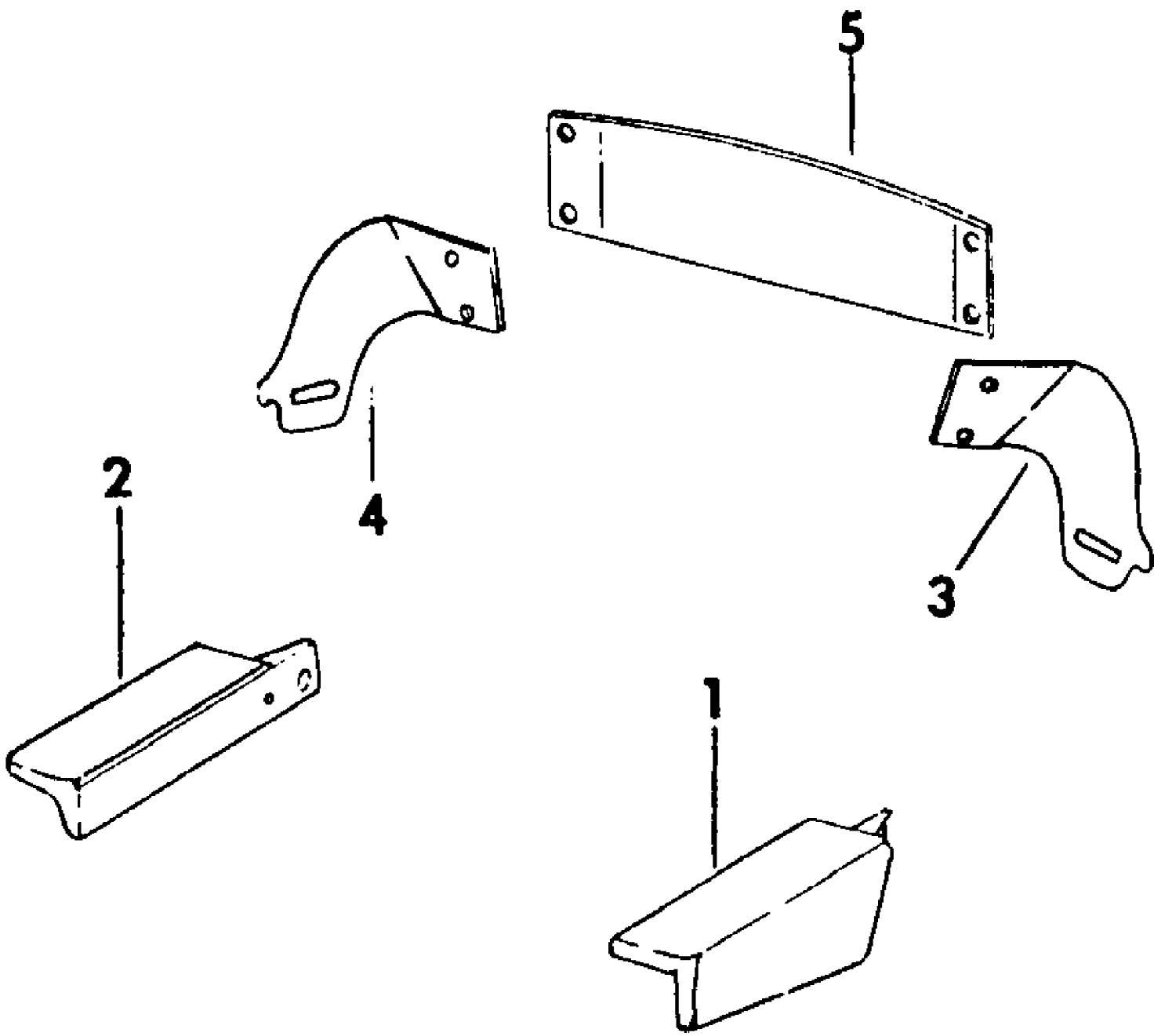


1250
Armrest



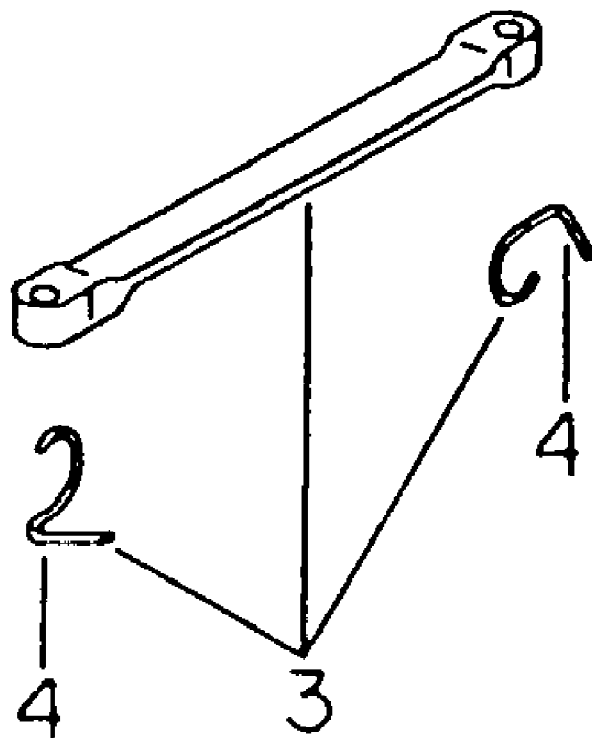
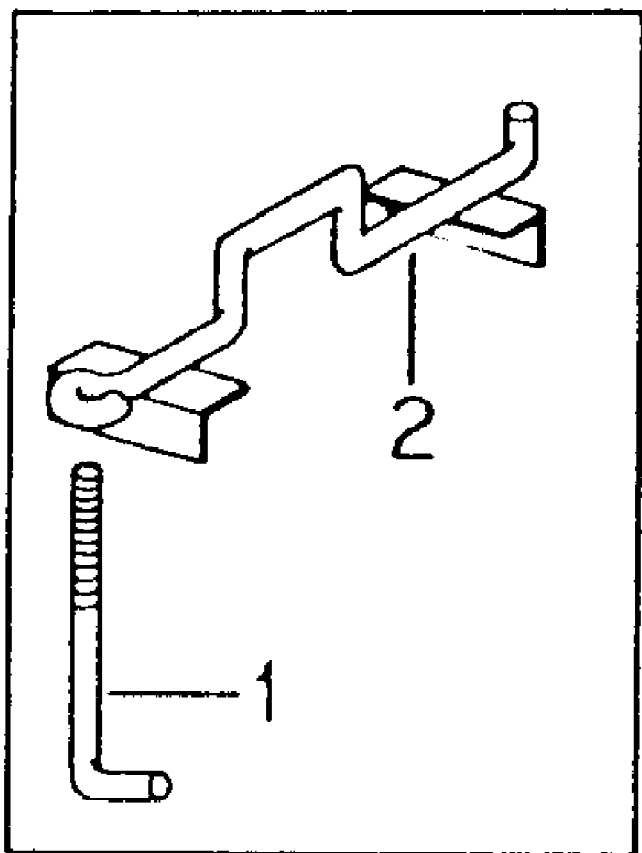
1250
Armrest

Page 2 of 102

| Ref # | Part Number | Qty | S/P/F | Description |
|-------|--------------|-----|-------|------------------------------------------|
| 1 | IH-117265-C1 | 1 | | Rest, Arm, LH |
| 2 | IH-117266-C1 | 1 | | Rest, Arm, RH |
| 3 | IH-117267-C1 | 1 | | Bracket, Mounting, LH |
| 4 | IH-117268-C1 | 1 | | Bracket, Mounting, RH |
| 5 | IH-117269-C1 | 1 | | Bracket, Arm Brace |
| | IH-117331-C1 | 2 | | Nut, Pivot |
| | IH-117332-C1 | 2 | | Bolt, Slide Pivot |
| | IH-117333-C1 | 2 | | Washer, Belleville |
| | 710-0323 | 4 | /P | Screw, 5/16-18 X 3/16 Pan Hd Cr Rec Mach |

1250
Battery Holder

Page 3 of 102



1250
Battery Holder

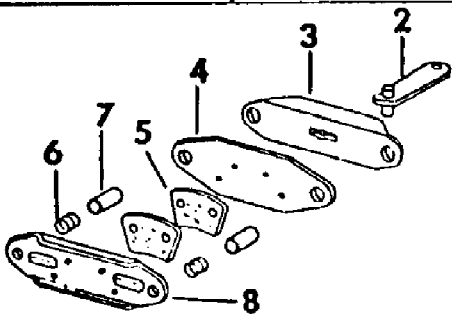
| Ref # | Part Number | Qty | S/P/F | Description |
|-------|--------------|-----|-------|----------------------------------------------------------|
| 1 | IH-544149-R1 | 1 | S | Bolt, Battery Hold Down (Used only w/clamp IH-549131-R1) |
| | 712-3044 | 1 | | Nut, 1/4-20 C-Z Type A Wing |
| 2 | | 1 | | Clamp, Battery Hold Down (Order Ref No. 3) |
| 3 | 703-0017 | 1 | S | Strap Assy, Battery |
| 4 | 747-3006 | 2 | | Hook, Battery |

Brake Caliper Assembly-Tractors With Caliper Brakes

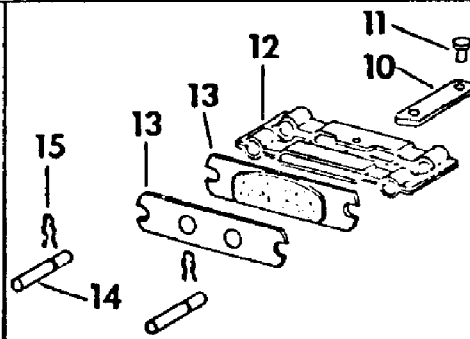
1

9

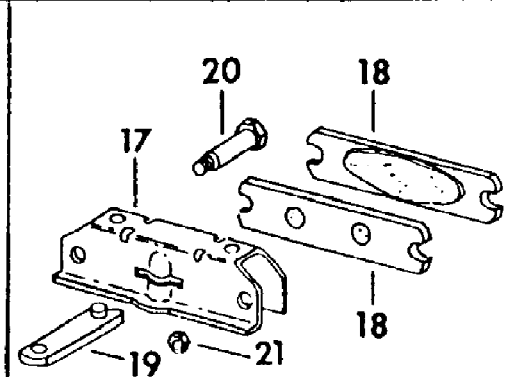
16



H-H Products



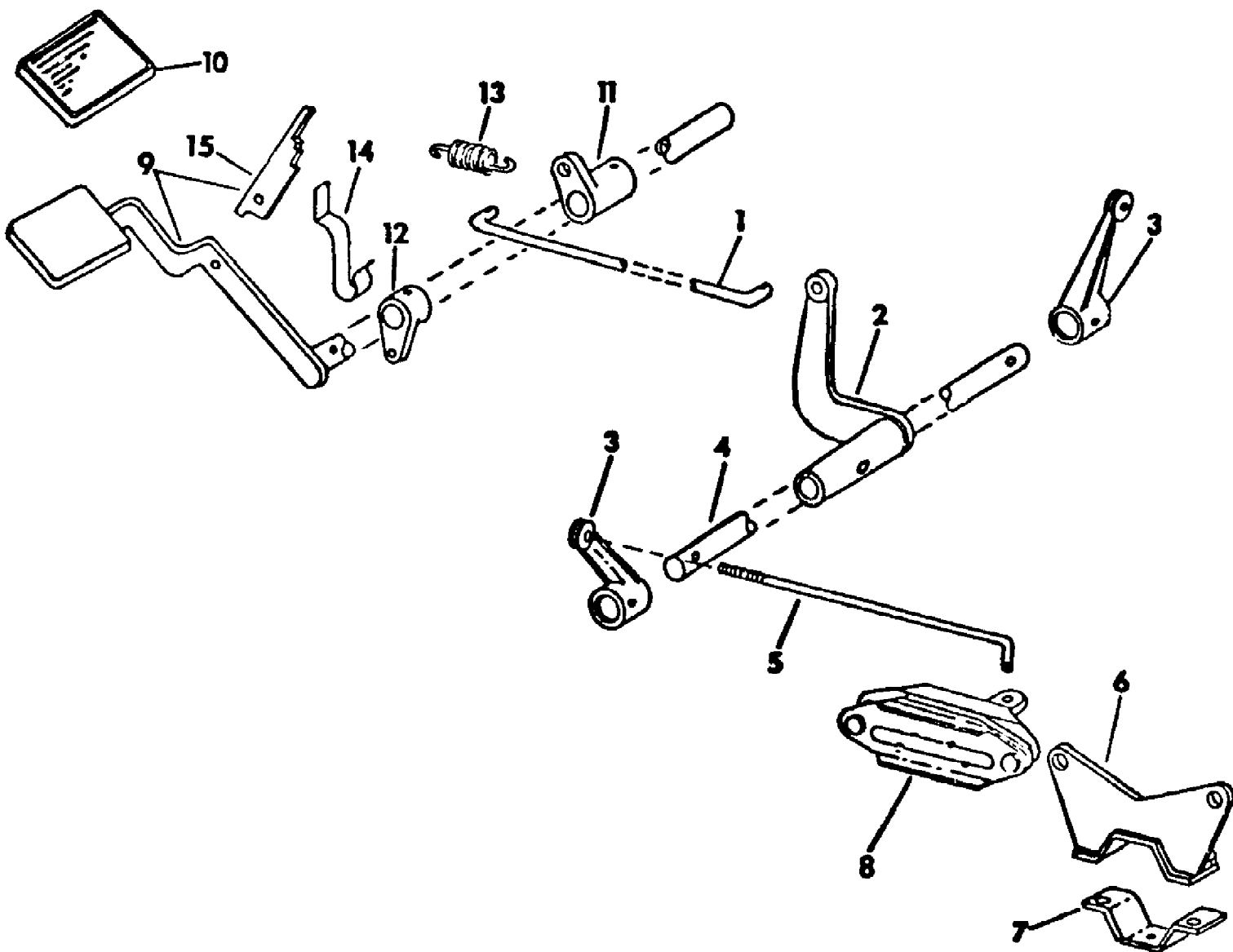
Ausco



Ausco

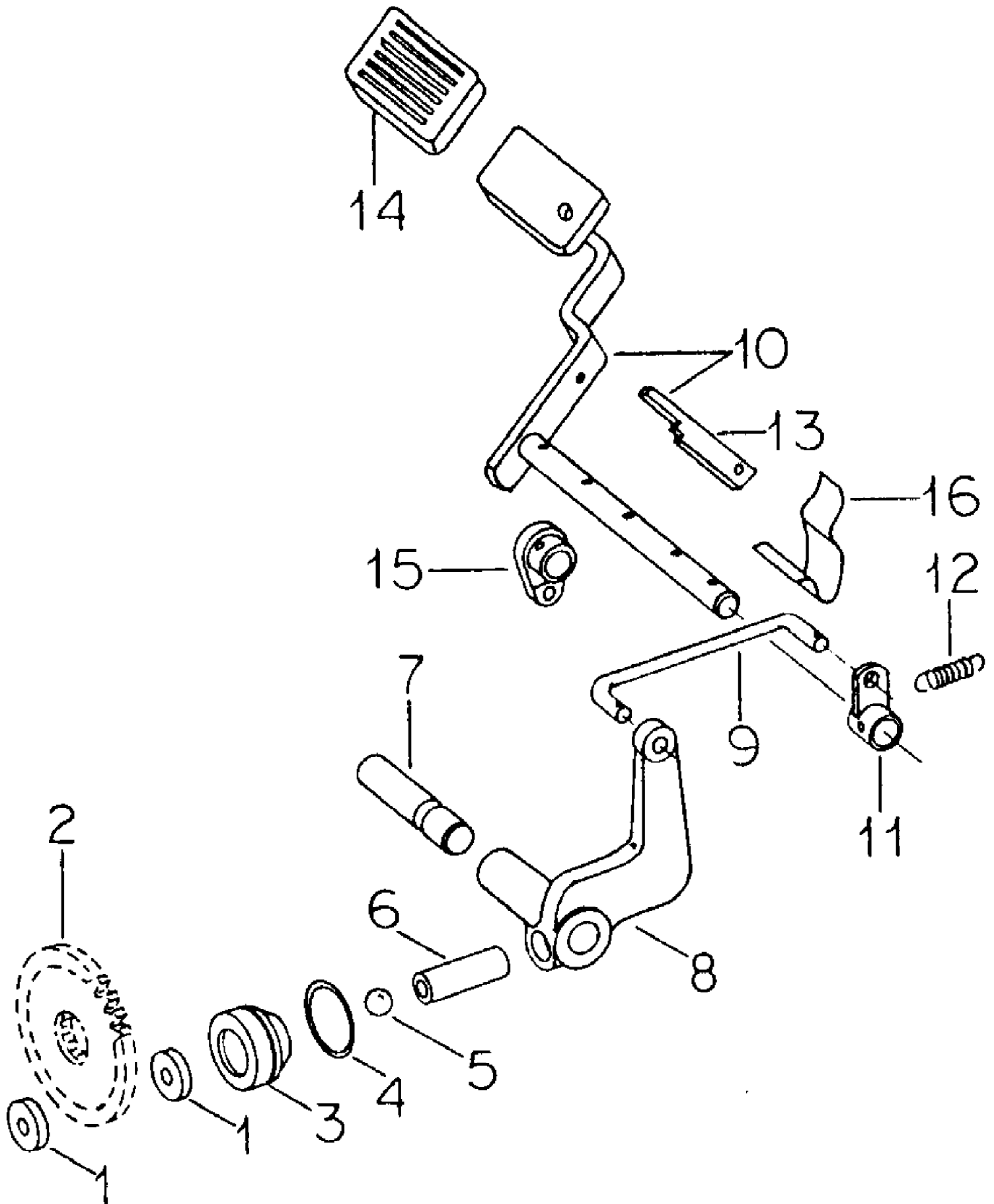
Brake Caliper Assembly-Tractors With Caliper Brakes

| Ref # | Part Number | Qty | S/P/F | Description |
|-------|---------------|-----|-------|--------------------------------------------------------------------------|
| 1 | IH-528822-R91 | 2 | S | Caliper Assy, Brake (Order IH-57953-C91 LH & IH-60735-C91 RH) |
| 2 | IH-531636-R1 | 1 | | Lever Assy, Cam |
| 3 | | 1 | | Brake Assy, Actuator Cam (Order IH-57953-C91 or IH-60735-C91) |
| 4 | | 1 | | Carrier, Flat Plate (Order IH-57953-C91 or IH-60735-C91) |
| 5 | | 2 | | Liner, Brake (Order kit IH-544835-R91) |
| | IH-24699-R1 | 4 | | Rivet, 9/64 X 7/16 Fl Hd Tubular Brass |
| 6 | IH-530678-R1 | 2 | | Spring, Compression |
| 7 | IH-528823-R1 | 2 | | Spacer, Caliper |
| 8 | ~NLA | 1 | | Carrier, Rib Plate |
| | | 2 | | Screw, 3/8-24 X 2-1/4 Znd Hex Hd Cap (Common Hardware, Purchase Locally) |
| | 712-0214 | 2 | S | Nut, 3/8-24 Hex Lock |
| 9 | IH-57953-C91 | 1 | S | Caliper Assy, Brake LH |
| | IH-60735-C91 | 1 | | Caliper Assy, Brake RH |
| 10 | ~NLA | 1 | | Lever, Actuator |
| 11 | | 1 | | Pin, 3/8 X 3/4 C-Z Rod End (Common Hardware, Purchase Locally) |
| | | 1 | | Pin, 3/32 X 5/8 C-Z Cot (Common Hardware, Purchase Locally) |
| 12 | ~NLA | 1 | | Bracket, Secondary |
| 13 | IH-548122-R1 | 2 | S | Stator |
| 14 | IH-548121-R1 | 2 | | Pin, Straight |
| 15 | IH-148150 | 2 | | Retainer, 3/8 Spring |
| 16 | IH-57953-C91 | 1 | S | Brake Assy, Spot LH |
| | IH-60735-C91 | 1 | | Brake Assy, Spot RH |
| 17 | IH-57954-C1 | 1 | | Bracket, Secondary |
| 18 | IH-548122-R1 | 2 | S | Stator |
| 19 | IH-57957-C1 | 1 | | Lever, Actuating |
| 20 | IH-57955-C1 | 2 | | Bolt, Shoulder |
| 21 | IH-57956-C1 | 2 | | Nut, Lock |
| | IH-544835-R91 | 1 | | Kit, Brake Lining (For caliper assy IH-528822-R91) Liner Rivet Spring |



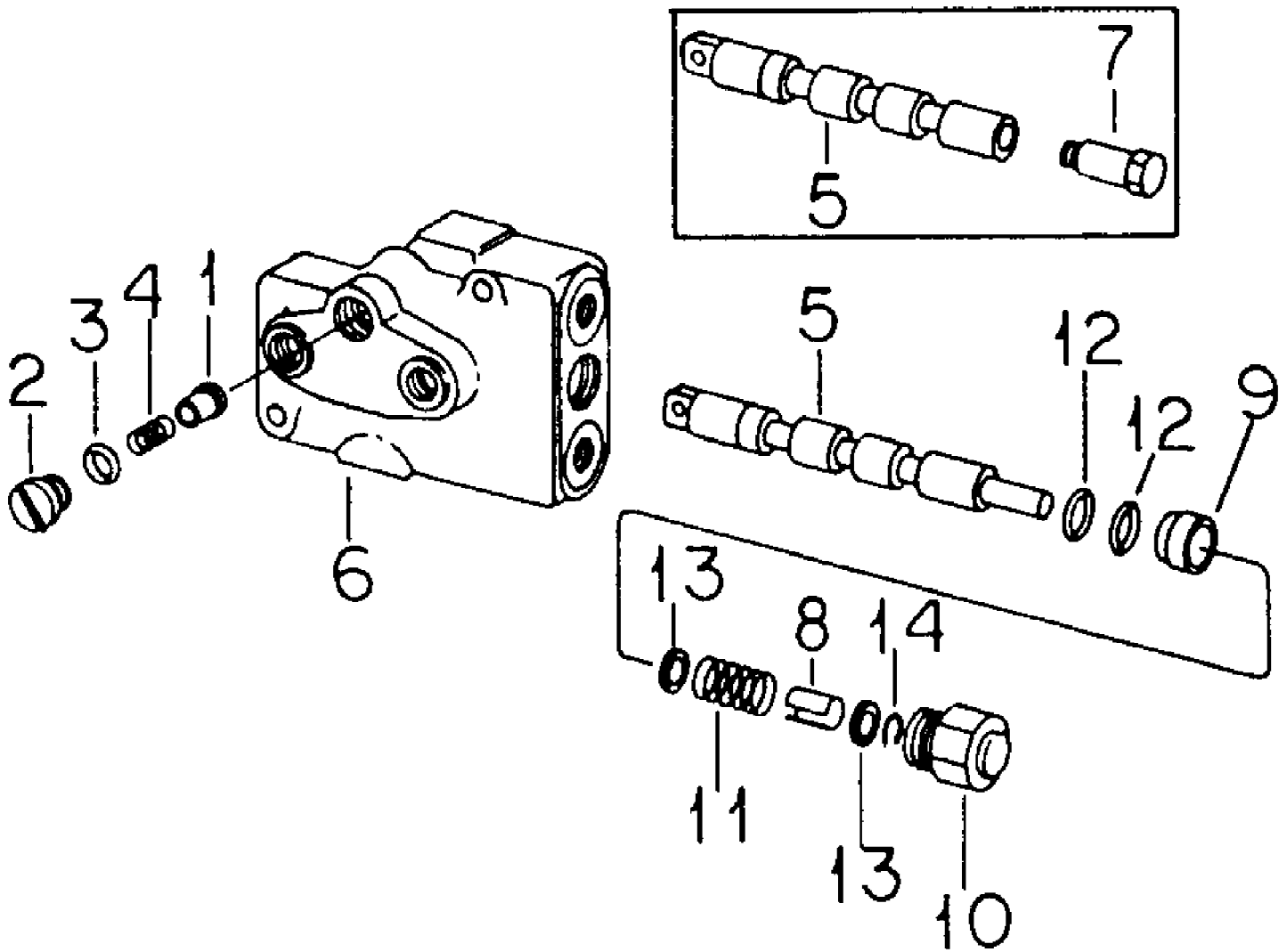
Brakes & Connections-Tractors With Caliper Brakes

| Ref # | Part Number | Qty | S/P/F | Description |
|-------|--------------|-----|-------|------------------------------------------------------------------------------------------------|
| 1 | IH-544121-R1 | 1 | | Rod, Brake |
| 1 | 714-0474 | 2 | S | Pin, 1/8 X 3/4 C-Z Cot Not shown |
| 1 | 736-0140 | 2 | S | Washer, 13/32 X 3/4 X 16 Ga C-Z Not shown |
| 2 | IH-528629-R1 | 1 | | Lever, Brake |
| 3 | IH-528630-R1 | 2 | | Arm, Brake |
| 4 | IH-528814-R2 | 1 | | Shaft, Brake Pivot |
| 4 | 715-3006 | 3 | S | Pin, 1/4 X 1-3/4 Hv Coiled Spring Not shown |
| 4 | IH-25708-R1 | 2 | S | Washer, 11/32 X 3/4 X 16 Ga C-Z Not shown |
| 5 | IH-528818-R1 | 2 | | Rod, Brake |
| 5 | 714-0474 | 4 | S | Pin, 1/8 X 3/4 C-Z Cot Not shown |
| 5 | 736-0275 | 2 | S | Washer, 11/32 X 11/16 X .065 C-Z Not shown |
| 5 | IH-124824 | 4 | | Nut, 5/16-18 C-Z Hex Jam Not shown |
| 6 | 719-3014 | 2 | | Bracket Assy, Caliper |
| 7 | 703-0222 | 2 | | Flange, Caliper Mounting |
| 7 | | 4 | | Screw, 3/8-16 X 1-1/4 Cdp Hex Hd (Common Hardware, Purchase Locally) |
| 7 | 712-0798 | 4 | /P | Nut, 3/8-16 Znd Hex (Used w/IH-57953-C91) Not shown |
| 8 | | 2 | | Caliper Assy, Brake (For components see list of parts under details of brake caliper assembly) |
| 9 | 759-3110 | 1 | | Pedal Assy, Clutch |
| 9 | 715-3018 | 4 | S | Pin, 1/4 X 1-3/8 Med Coiled Spring Not shown |
| 10 | 724-3000 | 1 | S | Pad, Pedal |
| 11 | 759-3010 | 1 | S | Lever, Brake Rod |
| 12 | 719-3001 | 1 | S | Lever, Neutral Return |
| 13 | 732-3010 | 1 | S/F | Spring, Brake Pedal Return 7 inches long |
| 13 | 732-3015 | 1 | S/F | Spring, Brake Pedal Return 3 inches long |
| 14 | 732-3000 | 1 | S | Spring, Safety Switch Operating |
| 14 | 726-3000 | 1 | /P | Nut, Spring Not shown |
| 15 | 703-0006 | 1 | | Ratchet |
| | ~NLA | 1 | | Rivet, 1/4 X 11/16 F Hd Solid Not shown |



Brakes & Connections-Tractors With Internal Wet Brakes

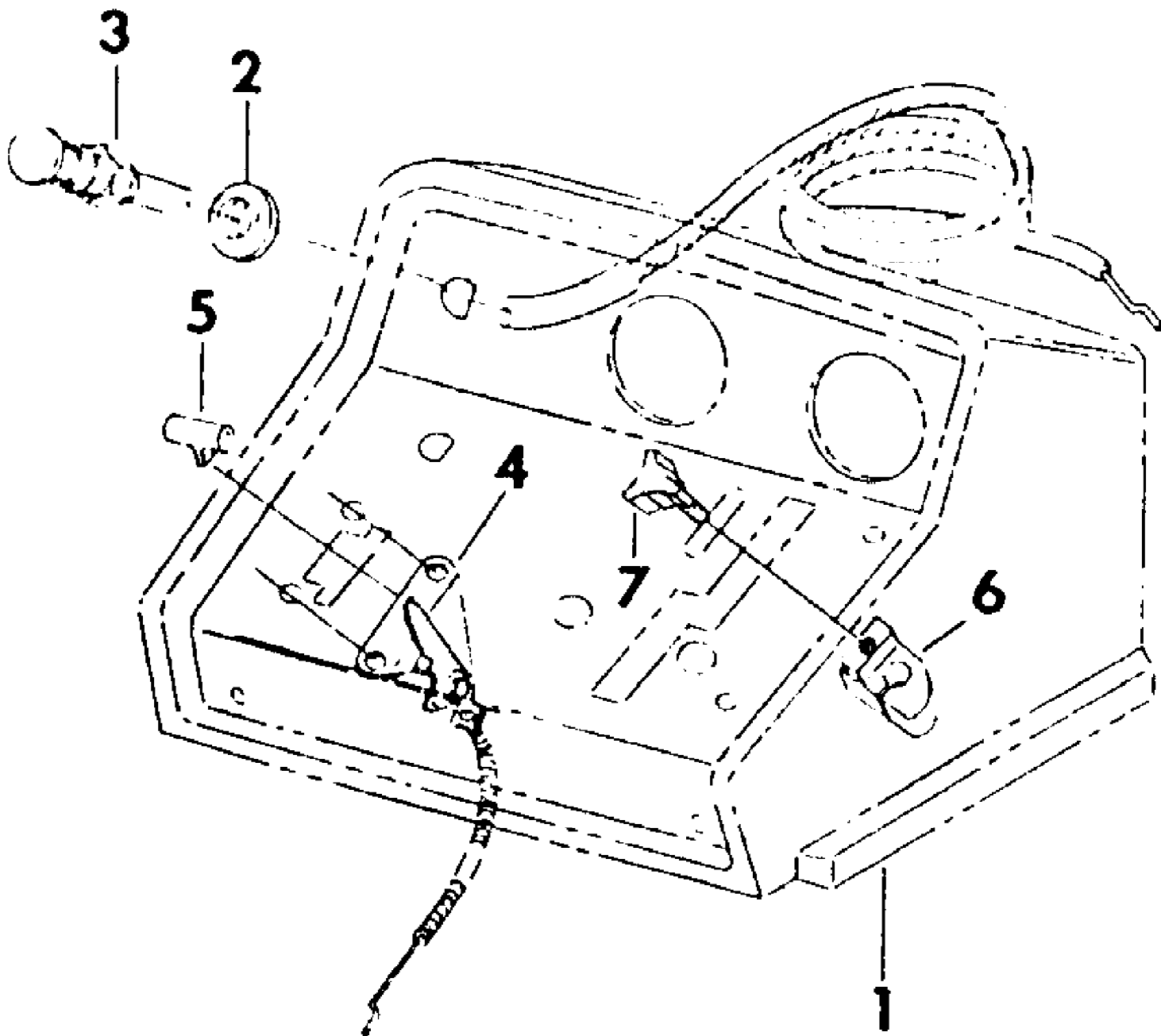
| Ref # | Part Number | Qty | S/P/F | Description |
|-------|--------------|-----|-------|----------------------------------------------------------------------------|
| 1 | IH-384719-R1 | 2 | S | Disc, Brake Lining |
| 2 | 717-3141 | 1 | /P | Gear, Constant Mesh, 66 Teeth |
| 4 | IH-378031-R1 | 1 | /P | O-Ring, 1-3/16X1-3/8X3/32 |
| 5 | IH-17018-R1 | 1 | | Ball, 9/16 CrStl |
| 6 | IH-394031-R1 | 1 | | Rod, Brake Push |
| 7 | IH-394032-R1 | 1 | | Shaft, Brake Lever Pivot |
| 8 | IH-394033-R1 | 1 | | Lever, Brake |
| 8 | 712-0342 | 1 | /P | Nut, 3/8-16 Znd Hex Jam Not shown |
| 8 | N/A | 1 | | Screw, 3/8-16X1-3/4 Sq Hd Ov Pt Set (Common Hardware, Purchase Locally) |
| 9 | 747-3015 | 1 | | Rod, Brake |
| 9 | 714-0474 | 2 | S | Pin, 1/8X3/4 Cotter Not shown |
| 9 | 736-0140 | 2 | S | Washer, 13/32X3/4X.056 Znd Not shown |
| 10 | 759-3110 | 1 | | Pedal Assy, Clutch & Brake |
| 10 | 715-3018 | 2 | S | Pin, 1/4X1-3/8 Med Coiled Spring Not shown |
| 11 | 759-3114 | 1 | | Arm, Clutch & Brake Pedal |
| 11 | 715-3018 | 1 | S | Pin, 1/4X1-3/8 Med Coiled Spring Not shown |
| 12 | 732-3010 | 1 | S/F | Spring, Brake Pedal Return 7 inches long |
| 12 | 732-3015 | 1 | S/F | Spring, Brake Pedal Return 3 inches long |
| 13 | 703-0006 | 1 | | Ratchet, Pedal |
| 13 | N/A | 1 | | Rivet, 1/4X11/16FHdSolid (CommonHardware,PurchaseLocally) |
| 14 | 724-3000 | 1 | S | Pad, Pedal |
| 15 | 719-3001 | 1 | S | Lever, Neutral Return |
| 15 | 715-3018 | 1 | S | Pin, 1/4X1-3/8 Med Coiled Spring Not shown |
| 16 | 732-3000 | 1 | S | Spring, Safety Switch Operating |
| 16 | 726-3000 | 1 | /P | Nut, Spring Not shown |



1250
Control Valve

Page 12 of 102

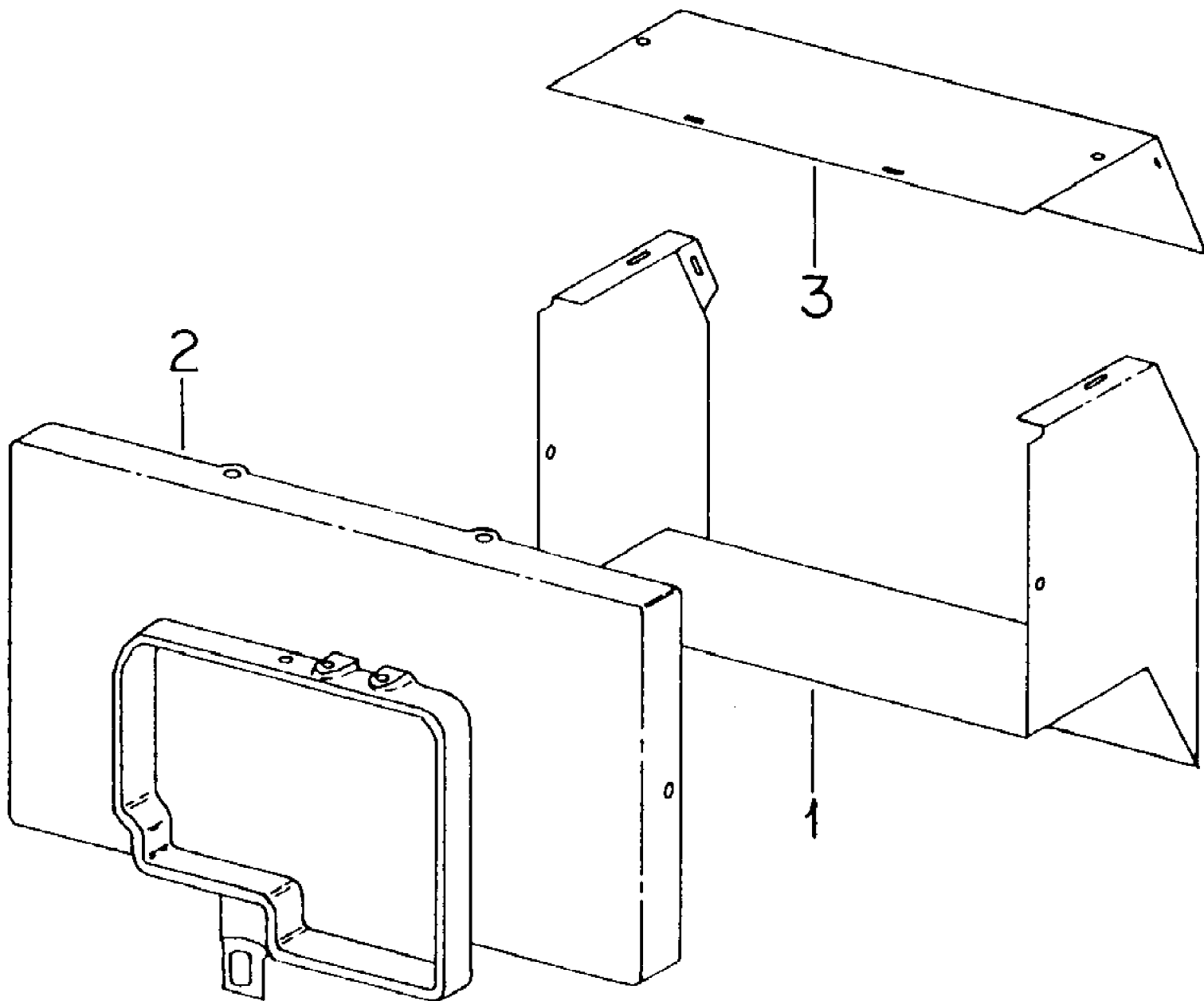
| Ref # | Part Number | Qty | S/P/F | Description |
|-------|---------------|------|-------|-------------------------------------------------------------------------|
| | IH-547633-R92 | 1 | | Valve Assy, Control (For replacement order control valve assy 717-3004) |
| 1 | IH-673622-R1 | 1 | | Plunger, Lift Check |
| 2 | ~NLA | 1 | | Plug, Lift Check (Used w/IH-547633-R91) |
| | IH-201844-C91 | 1 | | Plug, Lift Check (Used w/IH-547633-R92) |
| 3 | IH-252738-R1 | 2 | | O-Ring, 3/8 X 9/16 X 3/32 |
| 4 | IH-673625-R1 | 1 | | Spring, Lift Check |
| 5 | | 1 | | Spool (Not serviced separately, order valve assy) |
| 6 | | 1 | | Body (Not serviced separately, order valve assy) |
| 7 | IH-674491-R1 | 1 | | Screw, Spool (Use w/IH-547633-R91) |
| 8 | IH-674492-R1 | 1 | | Spacer, Spool |
| 9 | IH-674775-R1 | 1 | | Bushing |
| 10 | IH-674493-R1 | 1 | | Cap (Used w/IH-547633-R91) |
| | IH-1418841-R1 | 1 | | Cap (Used w/IH-547633-R92) |
| 11 | IH-674490-R1 | 1 | | Spring, Spool Center |
| 12 | IH-252739-R1 | 2 | | O-Ring, 1/2 X 11/16 X 3/32 |
| 13 | IH-824545-C1 | 1/AR | | Washer, .020 |
| | HH-03-03017 | 1/AR | | Washer, .046 |
| 14 | ~NLA | 1 | | Ring, Retainer (Used w/IH-547633-R92) |
| | 717-3004 | 1 | | Valve Assy, Control (Only serviceable parts are) |
| | 759-3432 | 1 | | Kit, Seal |
| | 759-3433 | 1 | | Kit, Spring Centering |



1250
Controls

Page 14 of 102

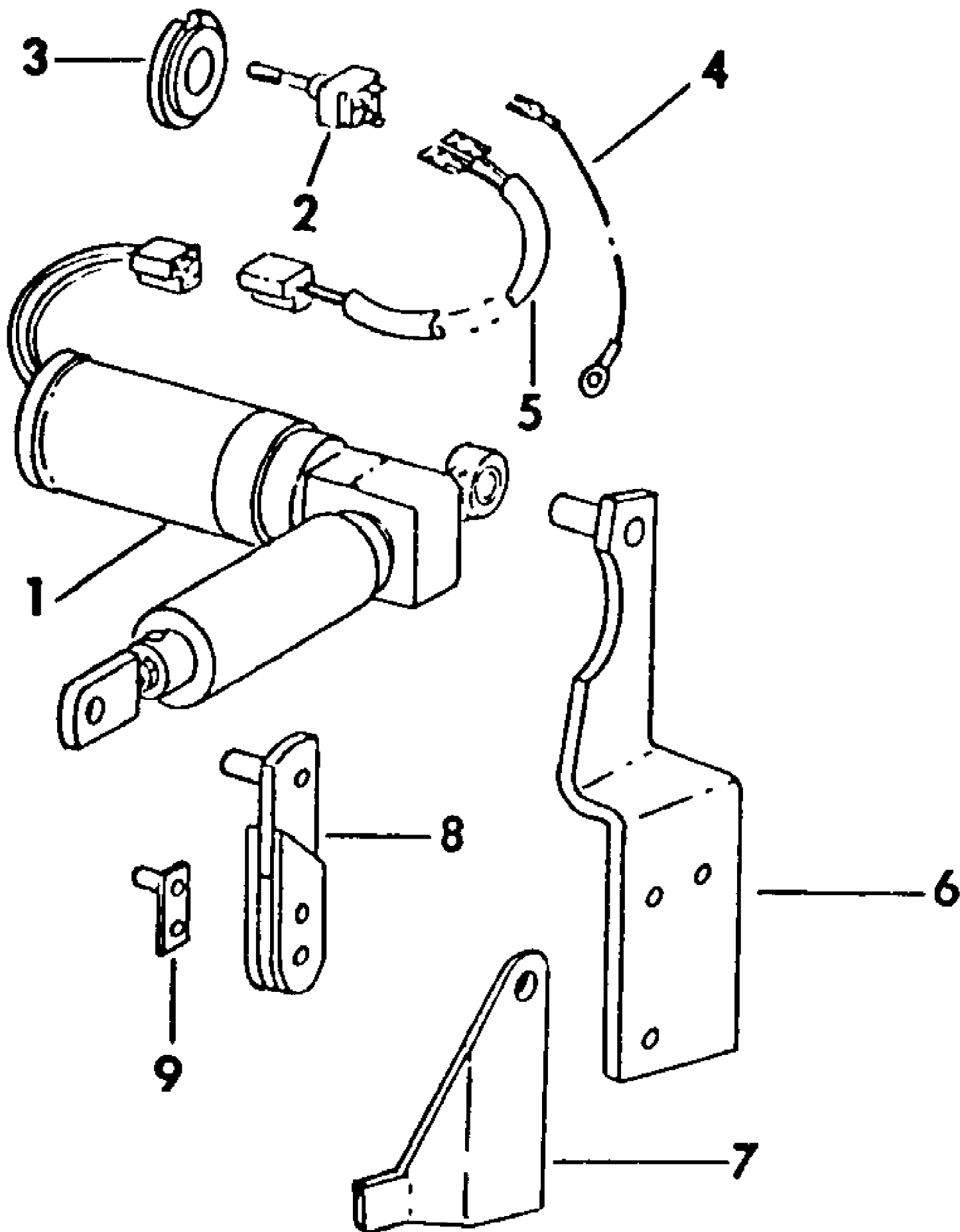
| Ref # | Part Number | Qty | S/P/F | Description |
|-------|--------------|-----|-------|--------------------------------------------|
| 1 | | 1 | | Cowl, Instrument Panel (Refer to pedestal) |
| 2 | IH-27503-R1 | 1 | | Washer, Choke Bezel |
| 3 | 746-3011 | 1 | S | Cable Assy, Choke |
| 4 | IH-126465-C1 | 1 | S | Cable Assy, Throttle |
| 5 | 731-0108 | 1 | /P | Knob, Throttle Control |
| 6 | 731-3007 | 1 | /P | Stop, Handle Detent |
| 7 | 721-3003 | 1 | | Knob, Fluted |
| | 736-3020 | 1 | S | Washer, .266 X .625 X .036 Znd |



1250
Duct Assy

Page 16 of 102

| Ref # | Part Number | Qty | S/P/F | Description |
|-------|--------------|-----|-------|----------------------------------------------------------------------------------------------------|
| 1 | 703-0561 | 1 | /P | Duct Assy, Air |
| | IH-161108-C1 | 6 | S | Screw, 1/4-20 X 1/2 Hex Hd Flange Lock |
| | 736-3006 | 6 | /P | Washer, 1/4 Ext Tooth Lock |
| 2 | KH-47-755-33 | 1 | /P | Duct, Air |
| | | 4 | | Screw w/Spring Lock Washer, 1/4-20 X 3/4 Znd Hex Hd Mach (Common Hardware, Purchase Locally) |
| | IH-9409106 | 2 | | Screw w/Spring Lock Washer, 1/4-20 X 1/2 Znd Hex Hd Mach |
| | KH-X-154-4 | 1 | | Screw w/Spring Lock Washer, 5/16-18 X 1-1/4 Znd Hex Hd Mach |
| | IH-132105 | 2 | | Screw, 10-32 X 3/8 Fil Hd Mach |
| | 736-0722 | 4 | S | Washer, No. 10 Reg Spring Lock |
| | | 2 | | Screw w/Spring Lock Washer, 1/4-20 X 5/8 Hex Hd Mach (Common Hardware, Purchase Locally) |
| | ~NLA | 3 | | Washer, .203 X .469 X .036 |
| | IH-25708-R1 | 1 | S | Washer, 11/32 X 3/4 X .054 Znd Plain |
| | KH-X-167-2 | 1 | /P | Screw, 10-32 X 1/2 Hex Hd Tap |
| 3 | IH-106204-C1 | 1 | S | Top, Air Duct |
| | IH-117584-C1 | 4 | S | Screw, No. 10 10-32 X 3/8 Znd Hex Hd Flange Lock |

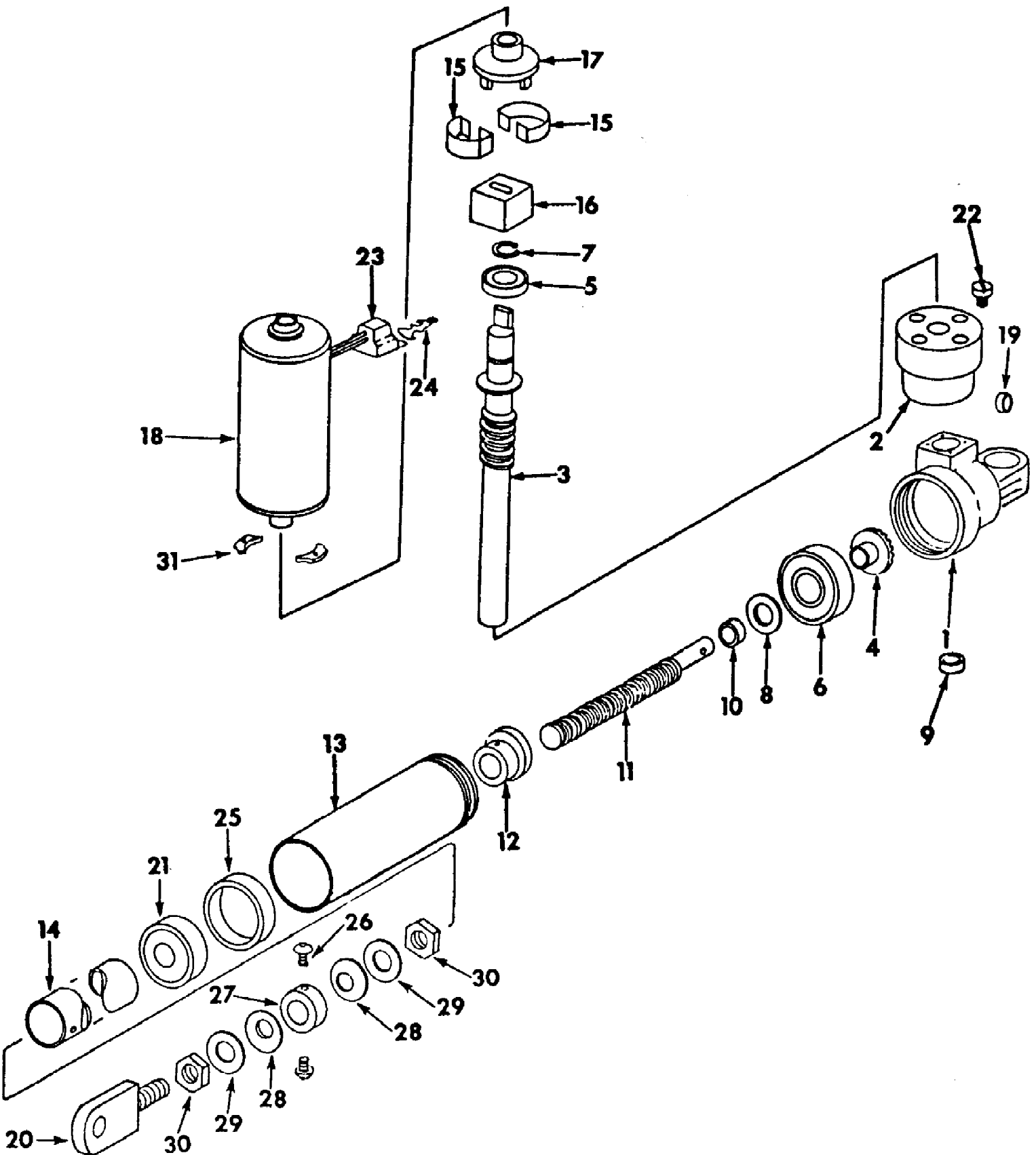


1250

Page 18 of 102

Electric Lift & Related Parts

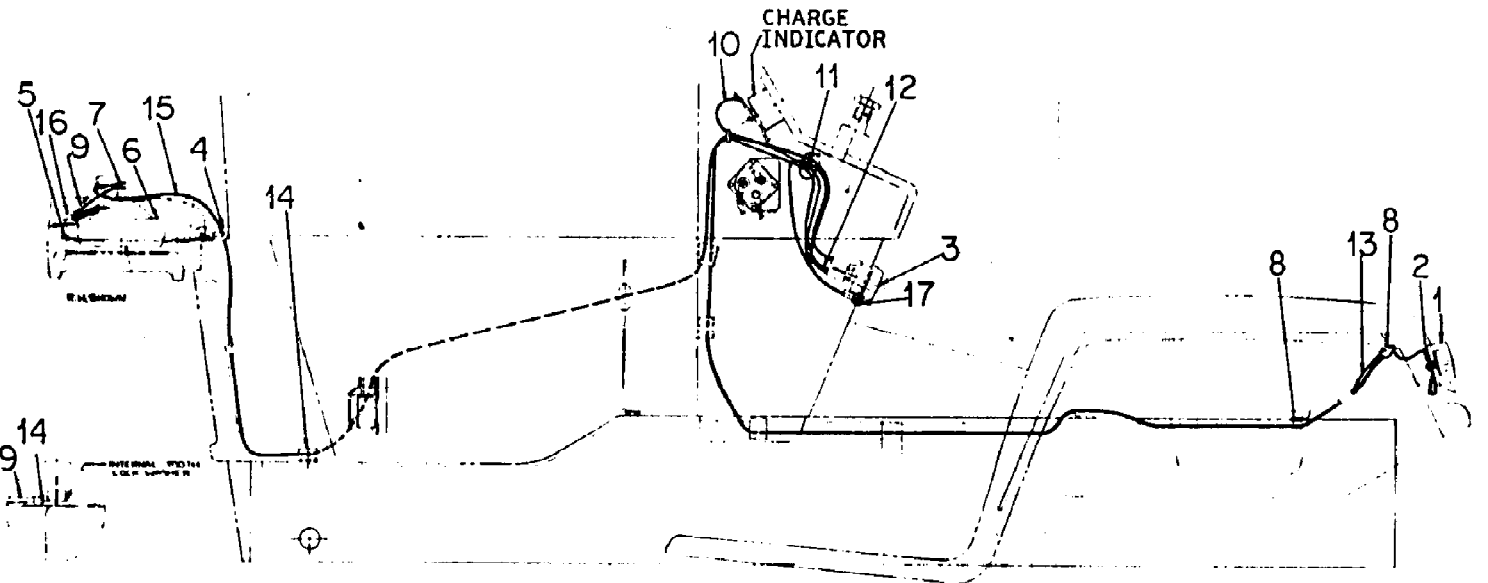
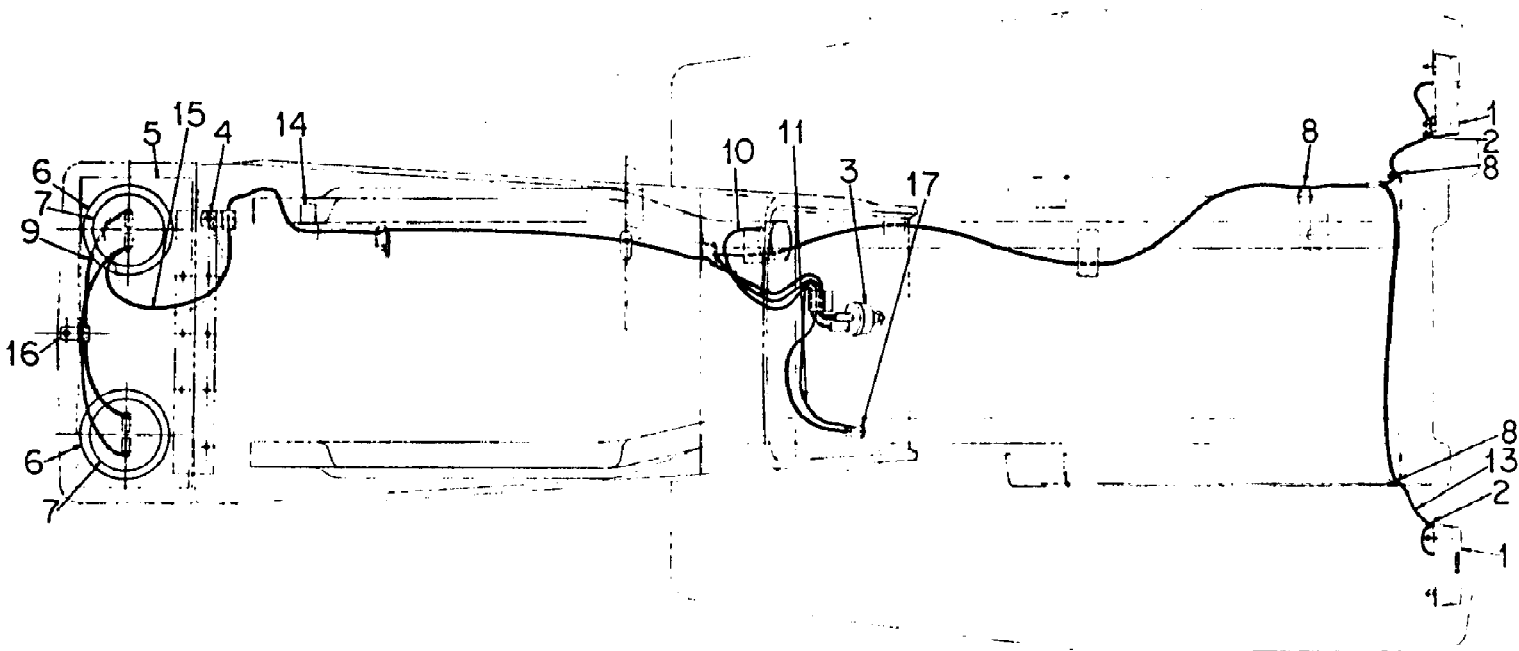
| Ref # | Part Number | Qty | S/P/F | Description |
|-------|---------------|-----|-------|-------------------------------------------------------------------------------------------|
| 1 | IH-545623-R91 | 1 | | Electric Lift Assy (For components see list of parts under details of electric lift assy) |
| 2 | IH-529933-R91 | 1 | | Switch, Actuator |
| | IH-178374-R1 | 1 | /P | Washer, 17/32 X 1-1/8 X 18 Ga C-Z |
| 3 | ~NLA | 1 | | Washer, Actuator Switch |
| 4 | ~NLA | 1 | | Cable, Ground |
| 5 | IH-529936-R2 | 1 | | Harness, Cable |
| 6 | IH-545624-R1 | 1 | | Bracket Assy, Electric Lift |
| | 710-0514 | 3 | /P | Screw, 3/8-16 X 1 Znd Hex Hd Cap |
| | 736-0169 | 3 | S | Washer, 3/8 Znd Reg Lock |
| | 712-0798 | 3 | /P | Nut, 3/8-16 Znd Hex |
| | IH-131017 | 2 | | Washer, 13/16 X 1-1/2 X 10 Ga C-Z |
| | | 1 | | Pin, 1/4 X 1-1/4 Cotter (Common Hardware, Purchase Locally) |
| 7 | IH-548048-R1 | 1 | | Plate Assy, Rockshaft |
| | 715-3009 | 1 | S | Pin, 5/16 X 1-1/2 Hv Coiled Spring |
| 8 | IH-545629-R1 | 1 | | Clevis Assy, Float |
| | | 1 | | Pin, 1/2 X 1-3/16 Std Hd (Common Hardware, Purchase Locally) |
| | 736-0272 | 2 | S | Washer, 17/32 X 1-1/16 X 16 Ga |
| | | 1 | | Pin, 3/16 X 7/8 Cotter (Common Hardware, Purchase Locally) |
| | IH-475579-R1 | 1 | S | Pin, Quick Attachable Cotter |
| 9 | IH-545633-R1 | 1 | | Pin, Float Lockout |



1250
Electric Lift Assembly

Page 20 of 102

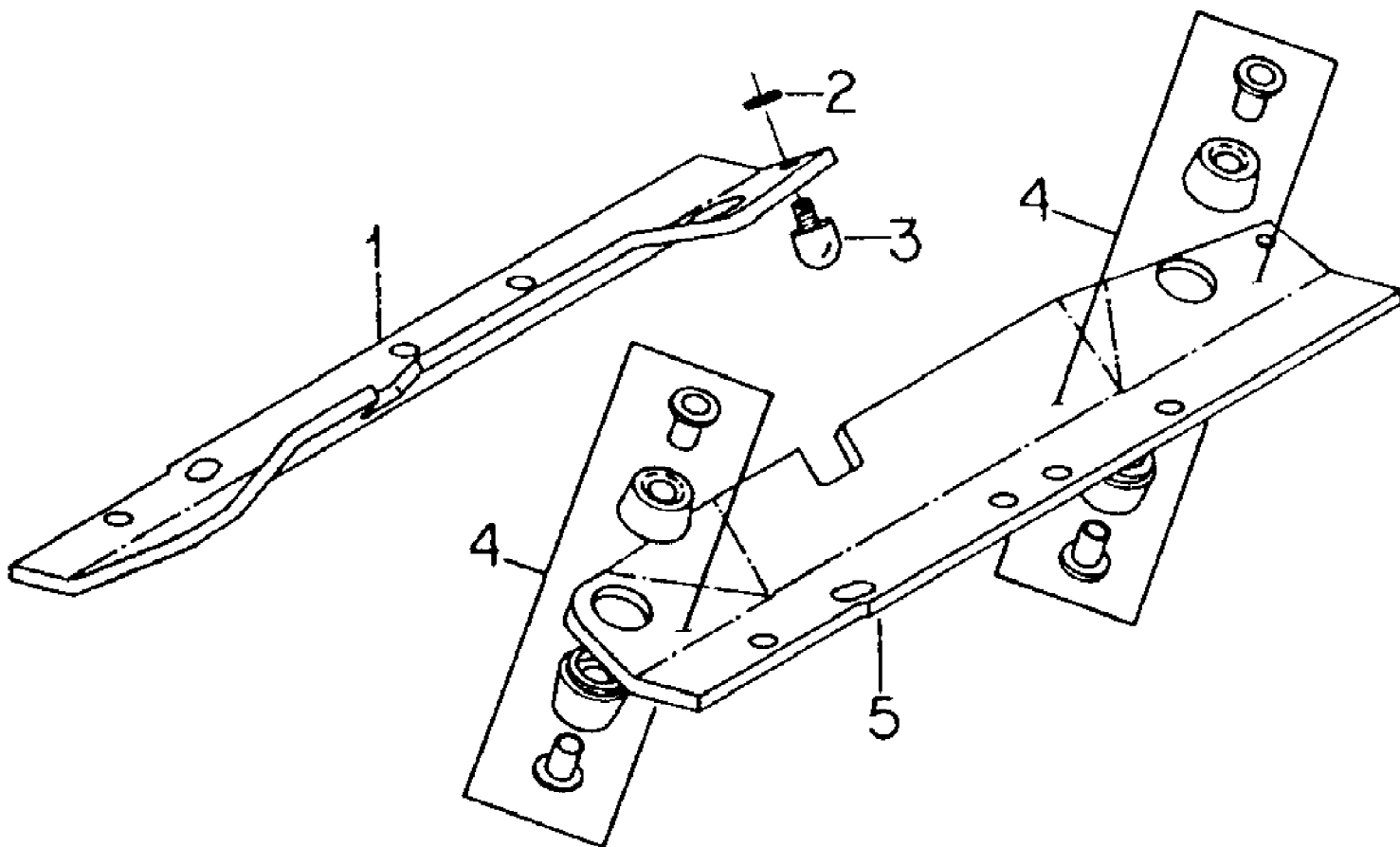
| Ref # | Part Number | Qty | S/P/F | Description |
|-------|---------------|-----|-------|--------------------------------------------------------------------------|
| | IH-545623-R91 | 1 | | Electric Lift Assy |
| 1 | IH-548656-R1 | 1 | | Housing |
| | | 1 | | Screw, 10-32 X 1/4 Hex Soc Hd Set (Common Hardware, Purchase Locally) |
| 2 | IH-530791-R1 | 1 | | Adapter, Motor |
| 3 | IH-530792-R1 | 1 | | Pinion, Spiroid |
| 4 | IH-530793-R1 | 1 | | Gear, Spiroid |
| 5 | IH-533985-R91 | 1 | S | Bearing, Pinion |
| 6 | IH-ST553 | 1 | | Bearing, Load |
| 7 | IH-138693-R1 | 1 | | Ring, Retaining |
| 8 | IH-530794-R1 | 1 | | Washer |
| 9 | IH-530795-R1 | 1 | | Bushing, Pinion |
| 10 | IH-530796-R1 | 1 | | Bushing, Screw |
| 11 | IH-548657-R1 | 1 | | Screw |
| | ~NLA | 1 | | Pin, 3/16 X 3/4 Drive |
| | ~NLA | 1 | | Pin, 3/16 X 7/8 Drive |
| 12 | IH-530797-R1 | 1 | | Nut, Lifting |
| 13 | ~NLA | 1 | | Tube, Outer |
| | ~NLA | 2 | | Pin, 3/16 X 1/4 Drive |
| 14 | ~NLA | 1 | | Tube, Translating |
| 15 | IH-530798-R1 | 2 | | Spring, Brake |
| 16 | IH-530799-R1 | 1 | | Cam, Brake |
| 17 | IH-530860-R1 | 1 | | Coupling, Drive |
| | IH-17283-R1 | 1 | | Pin, 3/32 X 5/8 Std Spring |
| 18 | IH-547325-R1 | 1 | S | Motor, Permanent Magnet |
| 19 | ~NLA | 1 | | Bushing, Housing Clevis |
| 20 | ~NLA | 1 | | Clevis Assy |
| 21 | IH-530863-R91 | 1 | | Seal, Oil |
| | | 1 | | Screw, 10-32 X 1/4 Hex Soc Hd Set (Common Hardware, Purchase Locally) |
| 22 | ~NLA | 4 | | Screw, Tap Tite |
| 23 | IH-872290-R1 | 1 | | Connector, Multiple |
| 24 | IH-239807-R1 | 2 | | Terminal |
| 25 | ~NLA | 1 | | Bushing, Guide |
| 26 | | 1 | | Not used in this application |
| 27 | ~NLA | 1 | | Bushing |
| | | 4 | | Screw, 1/4-20 X 5/8 Pan Hd Slit (Common Hardware, Purchase Locally) |
| 28 | ~NLA | 4 | | Washer, Belleville |
| 29 | ~NLA | 2 | | Washer, Thrust |
| 30 | IH-9411648 | 2 | | Nut, 1/2-20 Hex Lock |
| 31 | IH-548661-R1 | 2 | | Gasket |



1250
Electric Lighting

Page 22 of 102

| Ref # | Part Number | Qty | S/P/F | Description |
|-------|---------------|-----|-------|-------------------------------------------------------------------|
| | IH-62181-C94 | 1 | | Electric Lighting Parts Accessory |
| 1 | IH-545616-R1 | 2 | | Taillight Assy |
| | IH-55186-C1 | 1 | | Base |
| | IH-9417863 | 1 | S | Lamp, No. 1895 |
| | IH-55187-C1 | 1 | | Lens |
| | | 4 | | Screw, 8-32 X 5/8 Pan Hd Mach (Common Hardware, Purchase Locally) |
| | | 4 | | Washer, No. 8 Ext Tooth Lock (Common Hardware, Purchase Locally) |
| | 712-0142 | 4 | /P | Nut, 8-32 Znd Hex |
| 2 | 726-3015 | 2 | S | Clip, Taillight |
| 3 | IH-394771-R92 | 1 | S | Switch, Lighting |
| 4 | 726-3025 | 1 | S | Clip, Taillight Cable |
| 5 | IH-61419-C1 | 1 | S | Panel, Headlight Mounting |
| 6 | IH-107277-C1 | 2 | S | Rim, Headlight |
| 7 | 725-0222 | 2 | S | Unit Assy, Headlight Sealed Beam |
| 8 | ~NLA | 3 | | Clip, Cable |
| 9 | IH-545724-R1 | 1 | | Cable, Headlight to Ground |
| 10 | IH-106714-C1 | 1 | | Cable, Charge Indicator to Fuse |
| 11 | IH-106716-C1 | 1 | | Cable, Fuse to Lighting Switch |
| 12 | IH-106278-C2 | 1 | | Cable, Lighting |
| 13 | IH-545726-R1 | 1 | | Cable, Taillight |
| 14 | 726-3015 | 1 | S | Clip, Cable |
| 15 | IH-62316-C1 | 1 | | Cable Assy, Headlight |
| 16 | IH-365584-R1 | 1 | | Clip, Cable |
| 17 | 725-3011 | 1 | S | Holder Assy, Fuse |
| | 725-3012 | 1 | S | Fuse, 10 Amp |

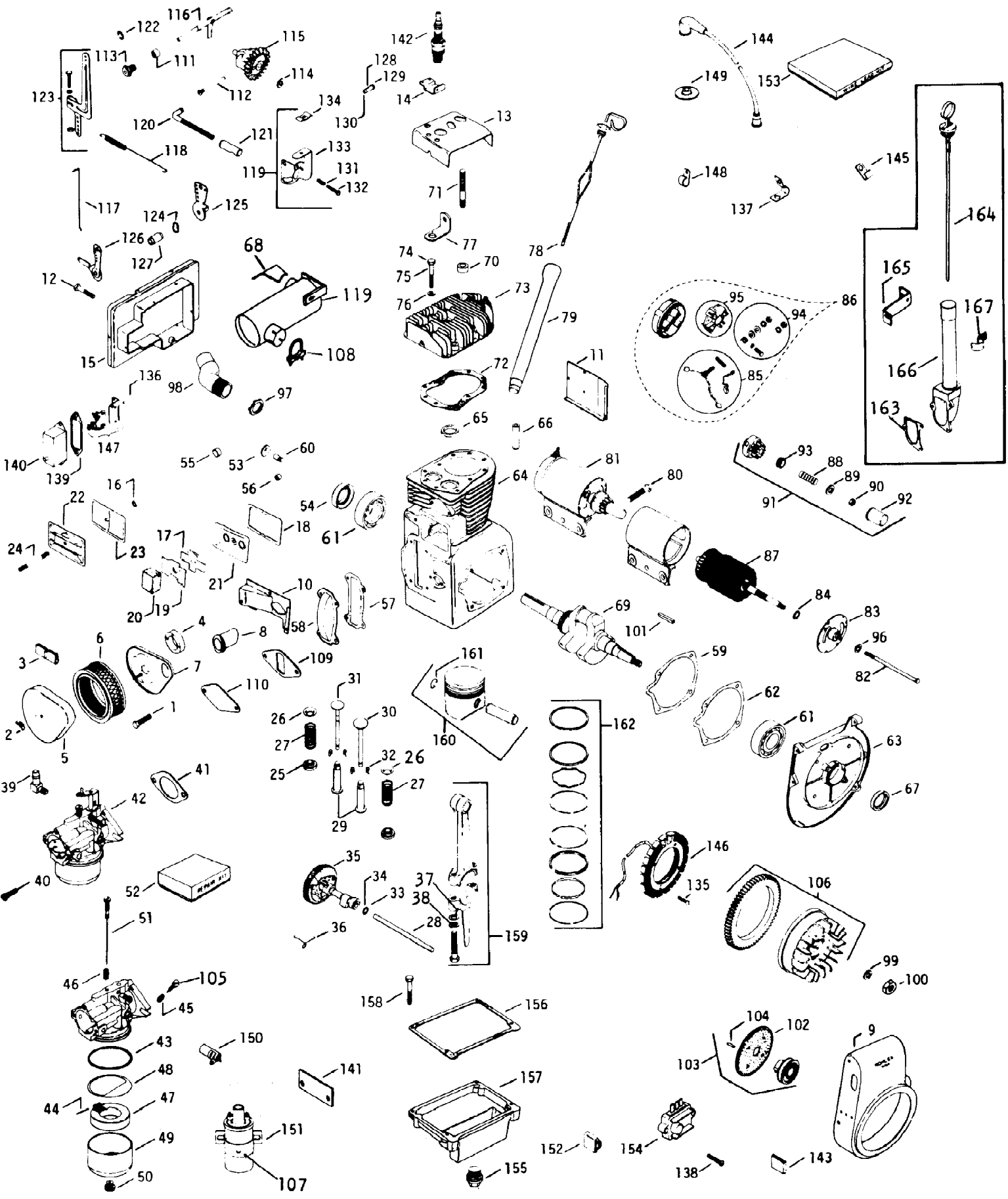


1250
Engine Mounting Parts

Page 24 of 102

| Ref # | Part Number | Qty | S/P/F | Description |
|-------|---------------|------|-------|--------------------------------------------------------------------------------|
| 1 | 703-0042-0637 | 1 | /P | Frame, Engine Mount LH (Also order bumper 722-3004) |
| 2 | 703-0044 | 6/AR | /P | Shim, Snubbing Mount |
| 3 | IH-61510-C1 | 2 | /P | Mount, Snubbing (Used only w/frames IH-61295-C1 & IH-61296-C1) |
| 3 | IH-61510-C1 | 2 | /P | Mount, Snubbing Replaces 722-3004 |
| 3 | 712-3006 | 2 | /P | Nut, 1/4-20 Znd Hex |
| 4 | 759-3952 | 4 | /P | Mounting Kit, Engine Replaces IH-61509-C2, also order 912-3000 |
| 4 | 710-3011 | 4 | /P | Screw, 3/8-16 X 2-1/4 Znd Hex Hd Cap |
| 4 | 912-3000 | 4 | /P | Nut, Hex Center Lock, 3/8-16 GR5 Do not over-torque |
| 5 | 703-0043-0637 | 1 | /P | Frame, Engine Mount RH (Replaces IH-61296-C1 by also ordering bumper 722-3004) |

1250
Engine-K301aqs-12 Horsepower



1250
Engine-K301aqs-12 Horsepower

Page 26 of 102

| Ref # | Part Number | Qty | S/P/F | Description |
|-------|---------------|-----|-------|---------------------------------------------------------------------------------------|
| 1 | KH-X-167-2 | 3 | /P | Screw, 10-32 X 1/2 Znd Hex Hd Self Tap |
| 2 | KH-X-276-7 | 1 | S | Nut, Wing |
| 3 | KH-47-032-03 | 1 | /P | Seal, Cover |
| 4 | KH-47-041-02 | 1 | S | Gasket, Air Cleaner |
| 5 | KH-47-082-01 | 1 | /P | Cover, Air Cleaner |
| 6 | 759-3547 | 1 | S | Element, Air Cleaner |
| 7 | KH-47-094-07 | 1 | /P | Base, Air Cleaner |
| 8 | KH-47-134-02 | 1 | /P | Tube, Air Cleaner |
| 9 | KH-47-027-07 | 1 | | Housing, Blower |
| | | 2 | | Screw w/Lock Washer, 1/4-20 X 3/4 Znd Hex Hd Mach (Common Hardware, Purchase Locally) |
| | IH-9409106 | 2 | | Screw w/Lock Washer, 1/4-20 X 1/2 Znd Hex Hd Mach |
| 10 | KH-47-063-01 | 1 | /P | Baffle, Side |
| 11 | KH-47-063-05 | 1 | /P | Baffle, Cylinder |
| | IH-9409106 | 1 | | Screw w/Lock Washer, 1/4-20 X 1/2 Znd Hex Hd Mach |
| | | 1 | | Screw w/Lock Washer, 1/4-20 X 5/8 Hex Hd Mach (Common Hardware, Purchase Locally) |
| 12 | 710-0252 | 1 | /P | Screw, 1/4-20 X 3/4 Hex Hd |
| | IH-545140-R1 | 1 | | Washer, 17/64 X 9/16 X 3/64 Cdp |
| | 712-3006 | 1 | /P | Nut, 1/4-20 Znd Hex |
| 13 | KH-47-124-03 | 1 | /P | Baffle, Head (Tractor Serial No. 582078 & below) |
| | KH-47-124-09 | 1 | /P | Baffle, Head (Tractor Serial No. 582079 & above) |
| 14 | KH-47-126-08 | 1 | | Bracket, Lifting |
| | IH-544629-R1 | 1 | | Washer, 17/64 X 5/8 X 1/16 Cdp |
| | | 2 | | Screw w/Lock Washer, 1/4-20 X 3/4 Znd Hex Hd Mach (Common Hardware, Purchase Locally) |
| 15 | KH-47-755-33 | 1 | /P | Duct, Air |
| | KH-X-154-4 | 1 | | Screw w/Lock Washer, 5/16-18 X 1-1/4 Hex Hd Sems |
| | IH-25708-R1 | 1 | S | Washer, 11/32 X 3/4 X .054 Znd |
| | IH-132105 | 2 | | Screw, 10-32 X 3/8 Fil Hd Mach |
| | KH-X-167-2 | 1 | /P | Screw, 10-32 X 1/2 Hex Hd Tap |
| | ~NLA | 3 | | Washer, .203 X .469 X .036 |
| | 736-0722 | 4 | S | Washer, No. 10 Znd Reg Lock |
| 16 | KH-231032 | 1 | /P | Seal, Breather |
| 17 | KH-235047 | 1 | S | Reed, Breather |
| 18 | KH-235048 | 1 | /P | Gasket, Cover |
| 19 | KH-235117 | 1 | /P | Baffle, Breather |
| 20 | KH-235118 | 1 | /P | Filter, Breather |
| 21 | KH-235631 | 1 | /P | Plate, Breather |
| 22 | KH-A-235418-S | 1 | | Cover, Breather |
| 23 | KH-275144 | 1 | /P | Gasket, Valve Cover |
| 24 | KH-275220 | 1 | | Stud, Valve Cover |

1250
Engine-K301aqs-12 Horsepower

Page 27 of 102

| Ref # | Part Number | Qty | S/P/F | Description |
|-------|--------------|------|-------|---------------------------------------------------------------------------------------|
| | 712-3006 | 1 | /P | Nut, 1/4-20 Znd Hex |
| | | 1 | | Washer, 1/4 Reg Lock (Common Hardware, Purchase Locally) |
| 25 | KH-230011 | 2 | /P | Retainer, Valve Spring |
| 26 | KH-235011 | 2 | S | Retainer, Valve Spring |
| 27 | KH-235010 | 2 | S | Spring, Valve |
| 28 | KH-47-380-09 | 1 | /P | Pin, Camshaft |
| 29 | KH-D-235327 | 2 | /P | Tappet Assy |
| 30 | KH-235008 | 1 | S | Valve, Intake |
| 31 | KH-235826 | 1 | /P | Valve, Exhaust |
| 32 | IH-46209D | 4 | | Keeper, Valve Spring |
| 33 | KH-275066 | 1/AR | /P | Shim, Camshaft, .005 |
| 34 | KH-275067 | 1/AR | /P | Shim, Camshaft, .010 |
| 35 | KH-47-010-09 | 1 | /P | Camshaft Assy |
| 36 | KH-47-089-01 | 1 | /P | Spring, Camshaft Actuating |
| 37 | 736-0140 | 2 | S | Washer, Connecting Rod |
| 38 | | 2 | | Washer, 3/8 Heavy Lock (Common Hardware, Purchase Locally) |
| 39 | KH-X-391-12 | 1 | S | Elbow, Hose Connector |
| 40 | KH-X-770-1 | 2 | S | Screw, 5/16-18 X 1 Hex Hd Sems |
| 41 | KH-47-049-01 | 1 | /P | Gasket, Carburetor |
| 42 | KH-47-853-20 | 1 | /P | Carburetor Assy |
| | KH-25-757-01 | 1 | /P | Needle & Seat Assy |
| 43 | | 1 | | Gasket, Fuel Bowl (Not serviced separately, order kit KH-25-757-02) |
| 44 | KH-200376 | 1 | /P | Pin, Hinge |
| 45 | KH-200380 | 1 | | Spring, Idle Adjusting Screw |
| 46 | KH-200383 | 1 | /P | Spring, High Speed Needle |
| 47 | KH-25-757-03 | 1 | S | Float & Lever Assy |
| 48 | | 1 | | Gasket, Bowl Baffle (Not serviced separately, order kit KH-25-757-02) |
| 49 | KH-235448 | 1 | /P | Bowl, Fuel |
| 50 | KH-47-100-06 | 1 | S | Screw w/Gasket, Fuel Bowl |
| 51 | KH-235415 | 1 | /P | Needle, High Speed |
| 52 | KH-25-757-02 | 1 | /P | Kit, Carburetor Repair |
| 53 | IH-172548 | 1 | | Plug, 1-1/8 Expansion |
| 54 | KH-47-032-07 | 1 | /P | Seal, Rear Oil |
| 55 | IH-21050-R1 | 2 | | Plug, 1/2 Cup |
| 56 | KH-234866 | 1 | | Bearing, Crankcase Needle |
| 57 | KH-235025 | 1 | S | Gasket, Cam Cover |
| 58 | KH-235026 | 1 | | Cover, Cam |
| | | 4 | | Screw w/Lock Washer, 1/4-20 X 5/8 Znd Hex Hd Mach (Common Hardware, Purchase Locally) |
| 59 | KH-235070 | 3/AR | | Gasket, Bearing Plate, .010 |
| 60 | KH-235125-S | 1 | /P | Shaft, Governor |
| 61 | IH-ST436 | 2 | S | Bearing, Crankcase Ball |
| 62 | KH-235757 | 1/AR | /P | Gasket, Bearing Plate |
| 63 | ~NLA | 1 | | Plate, Bearing |

1250
Engine-K301aqs-12 Horsepower

Page 28 of 102

| Ref # | Part Number | Qty | S/P/F | Description |
|-------|--------------|-----|-------|-------------------------------------------------------------------------------------|
| | | 4 | | Screw w/Lock Washer, 3/8-16 X 1 Znd Hex Hd Mach (Common Hardware, Purchase Locally) |
| 64 | | 1 | | Block, Cylinder (Not serviced separately, order short block KH-77-522-13) |
| | 710-0514 | 4 | /P | Screw, 3/8-16 X 1 Znd Hex Hd Cap |
| 65 | KH-230170 | 1 | /P | Insert, Exhaust Valve |
| 66 | KH-235007-S | 2 | /P | Guide, Valve |
| 67 | KH-47-032-06 | 1 | /P | Seal, Front Oil |
| 68 | IH-107117-C1 | 1 | | Deflector, Exhaust (Used only w/QA-36A & QA-42A snow throwers) |
| | 726-3037 | 1 | | Clamp, Deflector |
| 69 | KH-47-142-30 | 1 | S | Crankshaft |
| 70 | KH-X-400-71 | 1 | S | Spacer |
| 71 | KH-237522 | 1 | S | Stud, Cylinder Head |
| | | 2 | | Nut, 3/8-16 Hex (Common Hardware, Purchase Locally) |
| 72 | KH-47-041-15 | 1 | /P | Gasket, Cylinder Head |
| 73 | KH-237670 | 1 | /P | Head, Cylinder |
| 74 | IH-20153-R1 | 7 | | Screw, 3/8-16 X 1-1/2 Znd Hex Hd Cap Type 8 |
| 75 | IH-24842-R1 | 1 | | Screw, 3/8-16 X 1-3/4 Znd Hex Hd Cap Type 8 |
| 76 | KH-270889 | 11 | /P | Washer, Head |
| 77 | KH-47-126-04 | 1 | S | Bracket, Baffle Mounting |
| 78 | KH-47-038-05 | 1 | /P | Dipstick w/Shoulder Mount (Tractor Serial No. 582079 & above) |
| 79 | KH-47-123-10 | 1 | /P | Tube, Oil Fill w/Shoulder Mount (Tractor Serial No. 582079 & above) |
| 80 | KH-234948 | 2 | | Bolt, Shoulder |
| | | 2 | | Washer, 3/8 Reg Lock (Common Hardware, Purchase Locally) |
| 81 | KH-45-098-06 | 1 | S | Starter Assy |
| 82 | IH-117187-C1 | 2 | | Bolt, Thru |
| 83 | KH-237650 | 1 | S | Cap Assy, Drive End |
| 84 | KH-47-468-02 | 1 | | Washer, Armature Thrust |
| 85 | KH-48-755-15 | 1 | S | Kit, Starter Brush |
| 86 | KH-48-227-04 | 1 | | Cap Assy, Commutator End |
| 87 | KH-45-170-02 | 1 | | Armature |
| 88 | KH-45-098-03 | 1 | | Spring, Anti-Drift |
| 89 | KH-237645 | 1 | | Spacer, Stop Gear |
| 90 | 712-0237 | 1 | S | Nut, 5/16-24 Hex Lock |
| 91 | KH-47-749-02 | 1 | S | Kit, Starter Drive w/Shim |
| 92 | KH-237643 | 1 | | Cover, Dust |
| 93 | | 1 | | Spacer (Order kit KH-47-755-13) |
| 94 | ~NLA | 1 | | Kit, Hardware |
| 95 | KH-48-227-04 | 1 | | Kit, Brush Holder |
| 96 | 736-0329 | 2 | S | Washer, 1/4 Znd Reg Lock |

1250
Engine-K301aqs-12 Horsepower

Page 29 of 102

| Ref # | Part Number | Qty | S/P/F | Description |
|-------|---------------|-----|-------|---------------------------------------------------------------------------------------------|
| 97 | 712-0250 | 1 | S | Nut, Lock |
| 98 | KH-47-054-01 | 1 | /P | Elbow, Exhaust |
| 99 | KH-X-25-76 | 1 | | Washer |
| 100 | IH-125267 | 1 | | Nut, 5/8-18 Znd Hex Lock |
| 101 | IH-532004-R1 | 1 | S | Key, 3/16 X 1-3/8 Sq Parallel |
| 102 | KH-47-755-17 | 1 | /P | Screen, Grass |
| | | 4 | | Screw, 1/4-20 X 5/8 Znd Tr Hd Mach (Common Hardware, Purchase Locally) |
| 103 | KH-41-071-03 | 1 | /P | Cup Assy, Flywheel Drive |
| 104 | IH-385293-R1 | 1 | S | Pin, Flywheel Drive Cup |
| 105 | KH-235006 | 1 | S | Screw, Idle Adjusting |
| 106 | KH-47-025-23 | 1 | /P | Flywheel Assy |
| 107 | IH-396328-R1 | 1 | S | Clamp, Ignition Coil |
| | | 1 | | Screw w/Lock Washer, 1/4-20 X 5/8 Znd Hex Hd Mach (Common Hardware, Purchase Locally) |
| | ~NLA | 2 | | Washer, .266 X 1 X .062 Znd |
| 108 | 726-3016 | 1 | /P | Clamp Assy, Muffler |
| 109 | KH-52-041-17 | 1 | | Gasket, Pump Cover |
| 110 | KH-240282 | 1 | | Cover, Pad |
| | | 2 | | Screw w/Lock Washer, 1/4-20 X 3/4 Fil Hd Mach (Common Hardware, Purchase Locally) |
| 111 | IH-55095-C1 | 1 | S | Spacer |
| 112 | KH-231355 | 1 | S | Pin, Governor Stop |
| 113 | KH-235476 | 1 | /P | Bushing, Governor |
| 114 | KH-237022 | 1 | /P | Washer, Thrust |
| 115 | KH-A-235743-S | 1 | /P | Gear, Governor |
| 116 | KH-A-235256-S | 1 | /P | Shaft, Governor |
| 117 | KH-47-079-01 | 1 | /P | Linkage, Choke |
| 118 | KH-47-091-01 | 1 | /P | Spring, Governor |
| 119 | 751-3029 | 1 | S | Muffler Assy |
| | 710-3100 | 1 | | Screw, 5/16-18 X 5/8 Znd Hex Hd Cap |
| | 736-0159 | 1 | S | Washer, .344 X .875 X 16 Ga |
| | 736-3007 | 1 | | Washer, 5/16 Int Ext Tooth Lock Znd |
| 120 | KH-235277 | 1 | /P | Rod, Ball Joint |
| | 712-0349 | 1 | /P | Nut, 10-32 Znd Hex Mach Screw |
| 121 | KH-45-208-03 | 1 | /P | Body, Ball Joint |
| 122 | BS-93307 | 1 | /P | Retainer, Throttle Rod |
| 123 | KH-45-087-03 | 1 | /P | Lever, Governor |
| 124 | KH-275690 | 2 | /P | Washer, Tension |
| 125 | KH-47-090-10 | 1 | | Lever, Throttle Control |
| 126 | KH-47-090-06 | 1 | /P | Lever, Choke Control |
| | | 1 | | Bolt, 1/4 X 1-1/2 Znd Hex Hd Mach (Common Hardware, Purchase Locally) |
| | | 1 | | Washer, 1/4 Reg Lock (Common Hardware, Purchase Locally) |
| | KH-X-25-12 | 1 | /P | Washer, 17/64 X 1/2 X .062, Copper |
| | | 1 | | Washer, 1/4 X 1/2 Plain (Common Hardware, Purchase Locally) |
| 127 | KH-47-112-02 | 1 | | Spacer |

1250
Engine-K301aqs-12 Horsepower

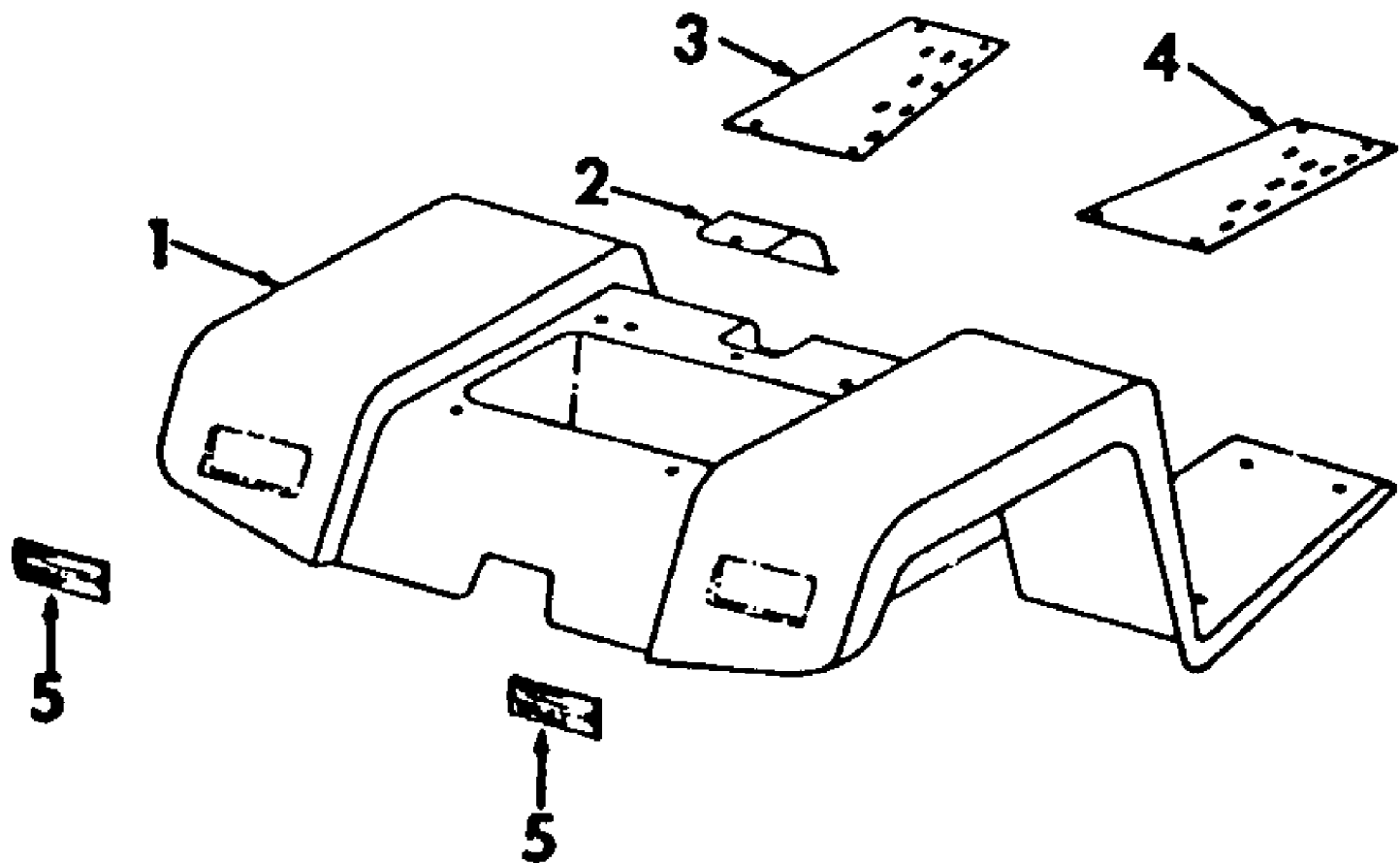
Page 30 of 102

| Ref # | Part Number | Qty | S/P/F | Description |
|-------|--------------|-----|-------|------------------------------------------------------------------------------------|
| 128 | KH-47-755-10 | 1 | | Clamp, Swivel Wire |
| 129 | 736-0463 | 2 | S | Washer, 9/32 X 5/8 X .062 Znd |
| 130 | KH-X-776-1 | 1 | | Screw, 1/4-20 X 1-1/4 Hex Hd Sems |
| | 712-3006 | 1 | /P | Nut, 1/4-20 Znd Hex |
| 131 | KH-232555 | 1 | | Spring, Adjusting |
| 132 | KH-232556 | 1 | | Screw, Throttle |
| | 712-0142 | 1 | /P | Nut, 8-32 Znd Hex Mach Screw |
| 133 | KH-47-126-09 | 1 | | Bracket, Control |
| | IH-9409106 | 1 | | Screw w/Lock Washer, 1/4-20 X 1/2 Znd Hex Hd Mach |
| | KH-X-25-63 | 1 | /P | Washer, .266 X .5 X .062 Znd |
| | IH-124818 | 1 | | Nut, 1/4-20 Hex Jam |
| 134 | KH-47-237-02 | 1 | S | Clamp, Wire |
| | | 1 | | Washer, No. 10 Reg Lock (Common Hardware, Purchase Locally) |
| | IH-159908 | 1 | | Screw, 10-24 X 3/8 Cr Rec Pan Hd Mach |
| 135 | KH-X-131-1 | 4 | /P | Screw, 10-24 X 3/8 Fil Hd Mach |
| 136 | KH-47-411-04 | 1 | /P | Rod, Breaker |
| 137 | ~NLA | 1 | | Clip, High Tension |
| 138 | IH-27095-R1 | 4 | | Screw, 10-24 X 1 Znd Pan Hd Mach |
| | | 4 | | Washer, No. 10 Znd Int Tooth Lock (Common Hardware, Purchase Locally) |
| 139 | KH-52-041-11 | 1 | S | Gasket, Breaker Cover |
| 140 | KH-232535 | 1 | S | Cover, Breaker |
| 141 | KH-234323 | 1 | S | Bar, Coil Bracket Back Plate |
| 142 | 759-3333 | 1 | /P | Plug, Spark (Champion) |
| 143 | KH-236602 | 1 | S | Connector |
| 144 | KH-238057 | 1 | S | Kit, Hi-Tension Lead |
| 145 | KH-275303 | 1 | | Clip, Terminal |
| 146 | KH-237878 | 1 | /P | Kit, Stator |
| 147 | KH-47-150-03 | 1 | /P | Breaker & Bracket Assy |
| | IH-62189-C1 | 1 | S | Breaker Set |
| | KH-X-67-59 | 1 | | Screw, 8-32 X 3/8 Znd Hex Washer Hd |
| 148 | KH-47-154-01 | 1 | S | Clip, Cable |
| 149 | KH-47-313-01 | 1 | | Grommet, Spark Plug |
| 150 | IH-62188-C1 | 1 | S | Condenser, Ignition Coil |
| 151 | KH-231281 | 1 | S | Coil, Ignition |
| 152 | KH-48-155-02 | 1 | | Connector |
| 153 | KH-A-235606 | 1 | /P | Kit, Wire Lead Cable |
| 154 | KH-25-755-03 | 1 | /P | Regulator Assy |
| | | 2 | | Screw w/Lock Washer, 1/4-20 X 1 Hex Hd Mach (Common Hardware, Purchase Locally) |
| 155 | KH-X-708-1 | 1 | /P | Plug, Drain |
| 156 | KH-235353 | 1 | /P | Gasket, Oil Pan Base |
| 157 | KH-47-199-09 | 1 | /P | Base, Oil Pan |
| 158 | | 4 | | Screw w/Lock Washer, 3/8-16 X 1-1/2 Znd Hex Hd (Common Hardware, Purchase Locally) |
| 159 | KH-47-067-09 | 1 | /P | Rod Assy, Connecting, Std |
| | KH-47-067-10 | 1 | /P | Rod Assy, Connecting, .010 U/S |

1250
Engine-K301aqs-12 Horsepower

Page 31 of 102

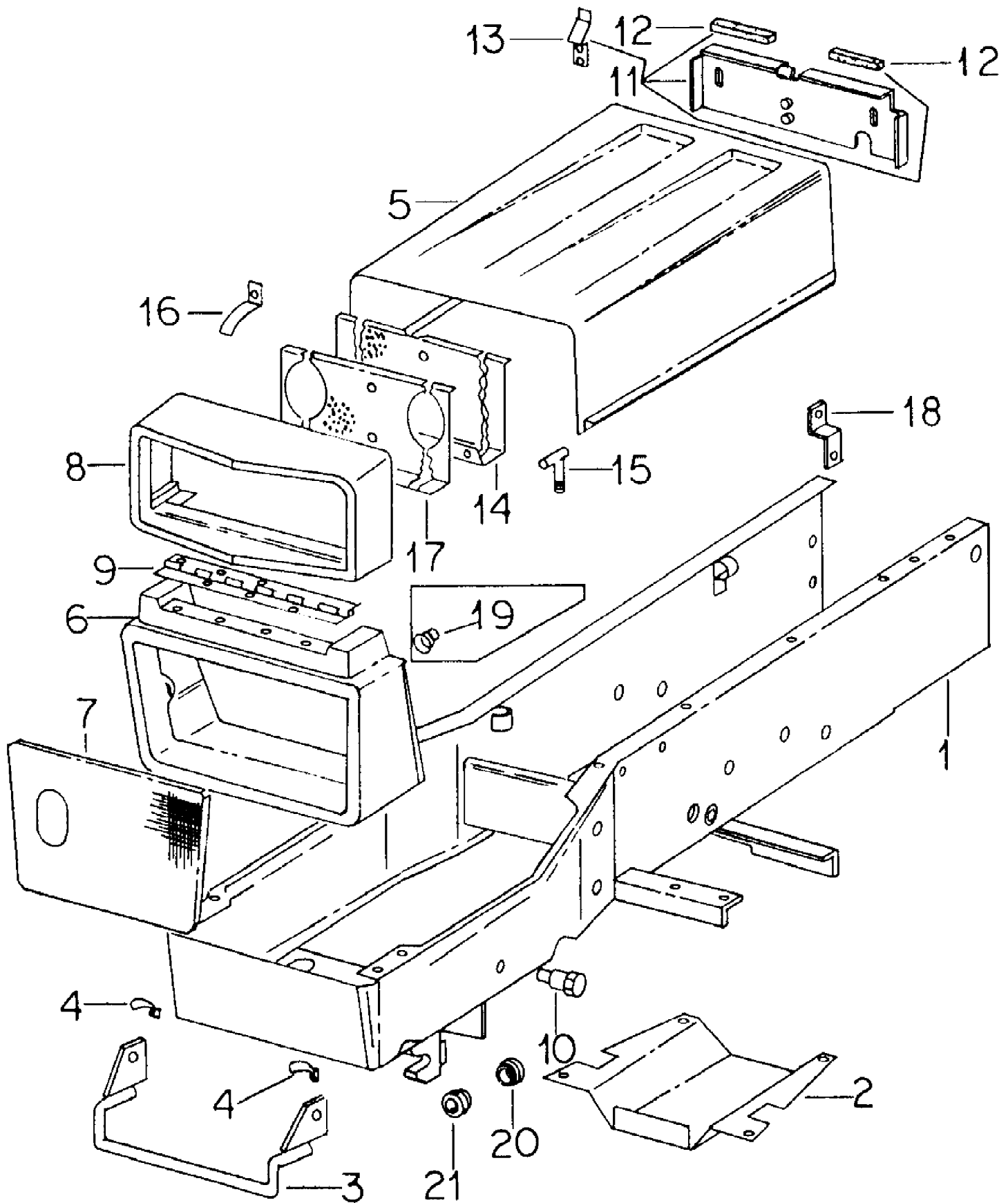
| Ref # | Part Number | Qty | S/P/F | Description |
|-------|---------------|-----|-------|----------------------------------------------------------------------------|
| 160 | KH-47-874-06 | 1 | /P | Piston Assy, Std |
| | KH-47-874-08 | 1 | /P | Piston Assy, .010 O/S |
| | KH-47-874-09 | 1 | /P | Piston Assy, .020 O/S |
| | KH-47-874-10 | 1 | /P | Piston Assy, .030 O/S |
| 161 | KH-47-018-01 | 2 | /P | Retainer, Piston Pin |
| 162 | KH-48-108-01 | 1 | /P | Ring Set, Piston, Std |
| | KH-48-108-02 | 1 | /P | Ring Set, Piston, .010 O/S |
| | KH-235891 | 1 | S | Ring Set, Piston, .020 O/S |
| | KH-48-108-04 | 1 | /P | Ring Set, Piston, .030 O/S |
| 163 | KH-237064 | 1 | | Gasket, Oil Fill Tube (Tractor Serial No. 582078 & below) |
| 164 | KH-47-038-04 | 1 | /P | Dipstick w/o Shoulder Mount (Tractor Serial No. 582078 & below) |
| 165 | KH-47-126-11 | 1 | | Bracket, Dipstick Tube (Tractor Serial No. 582078 & below) |
| 166 | KH-47-180-03 | 1 | S | Tube Assy, Oil Fill w/o Shoulder Mount (Tractor Serial No. 582078 & below) |
| | IH-9418617 | 3 | | Screw, 10-24 X 1/2 Znd Hex Soc Hd Cap |
| | | 3 | | Washer, No. 10 Znd Int Tooth Lock (Common Hardware, Purchase Locally) |
| 167 | KH-X-785-1 | 1 | | Clamp, Conduit (Tractor Serial No. 582078 & below) |
| | KH-X-25-63 | 1 | /P | Washer, .266 X .438 X .062 Znd |
| | IH-9409106 | 1 | | Screw w/Lock Washer, 1/4-20 X 1/2 Znd Hex Hd Mach |
| | KH-47-004-01 | 1 | S | Kit, Engine Gasket Gasket, Air Horn |
| | KH-235757 | 1 | /P | Gasket, Bearing Plate |
| | KH-235070 | 3 | | Gasket, Bearing Plate |
| | KH-52-041-11 | 1 | S | Gasket, Breaker Cover |
| | KH-235025 | 1 | S | Gasket, Camshaft Cover |
| | KH-47-049-01 | 1 | /P | Gasket, Carburetor |
| | KH-47-041-15 | 1 | /P | Gasket, Cylinder Head Gasket, Exhaust |
| | KH-235353 | 1 | /P | Gasket, Oil Pan |
| | KH-41-041-03 | 1 | /P | Gasket, Oil Pan |
| | KH-52-041-17 | 1 | | Gasket, Pump Pad |
| | KH-235048 | 1 | /P | Gasket, Valve Cover |
| | KH-275144 | 1 | /P | Gasket, Valve Cover |
| | KH-237064 | 1 | | Gasket, Oil Fill Tube |
| | KH-231032 | 1 | /P | Seal, Breather |
| | IH-144646-C91 | 1 | | Exhaust Extension Parts Accessory |
| | IH-144604-C1 | 1 | | Pipe, Exhaust |
| | 726-3016 | 1 | /P | Clamp |



1250
Fenders

Page 33 of 102

| Ref # | Part Number | Qty | S/P/F | Description |
|-------|--------------|-----|-------|-----------------------------------------------------------------------------------|
| 1 | IH-545474-R2 | 1 | | Fender Assy |
| | 710-0376 | 4 | /P | Screw, 5/16-18 X 1 Znd Hex Hd Cap |
| | IH-25708-R1 | 4 | S | Washer, 11/32 X 3/4 X 16 Ga Znd |
| | 736-3007 | 1 | | Washer, 5/16 Ext Int Tooth Lock |
| 2 | 703-0067 | 1 | | Cover, Hydrostatic Center |
| | 736-0140 | 1 | S | Washer, .406 X .812 X .051 Znd |
| | | 1 | | Screw, 3/8-16 X 1/2 Znd Hex Hd Cap (Common Hardware, Purchase Locally) |
| 3 | IH-547690-R1 | 1 | | Tread, Platform LH |
| | 710-3055 | 4 | | Screw, 5/16-18 X 5/8 Znd Slit-Truss-Hd Dr Pt Mach |
| 4 | ~NLA | 1 | | Tread, Platform RH |
| | 710-3055 | 4 | | Screw, 5/16-18 X 5/8 Znd Slit-Truss-Hd Dr Pt Mach |
| 5 | 730-3000 | 2 | S | Reflector |
| | | 4 | | Screw, 8-32 X 1/2 Pan Hd Cross Recess Mach (Common Hardware, Purchase Locally) |
| | 712-0142 | 4 | /P | Nut, 8-32 Hex |



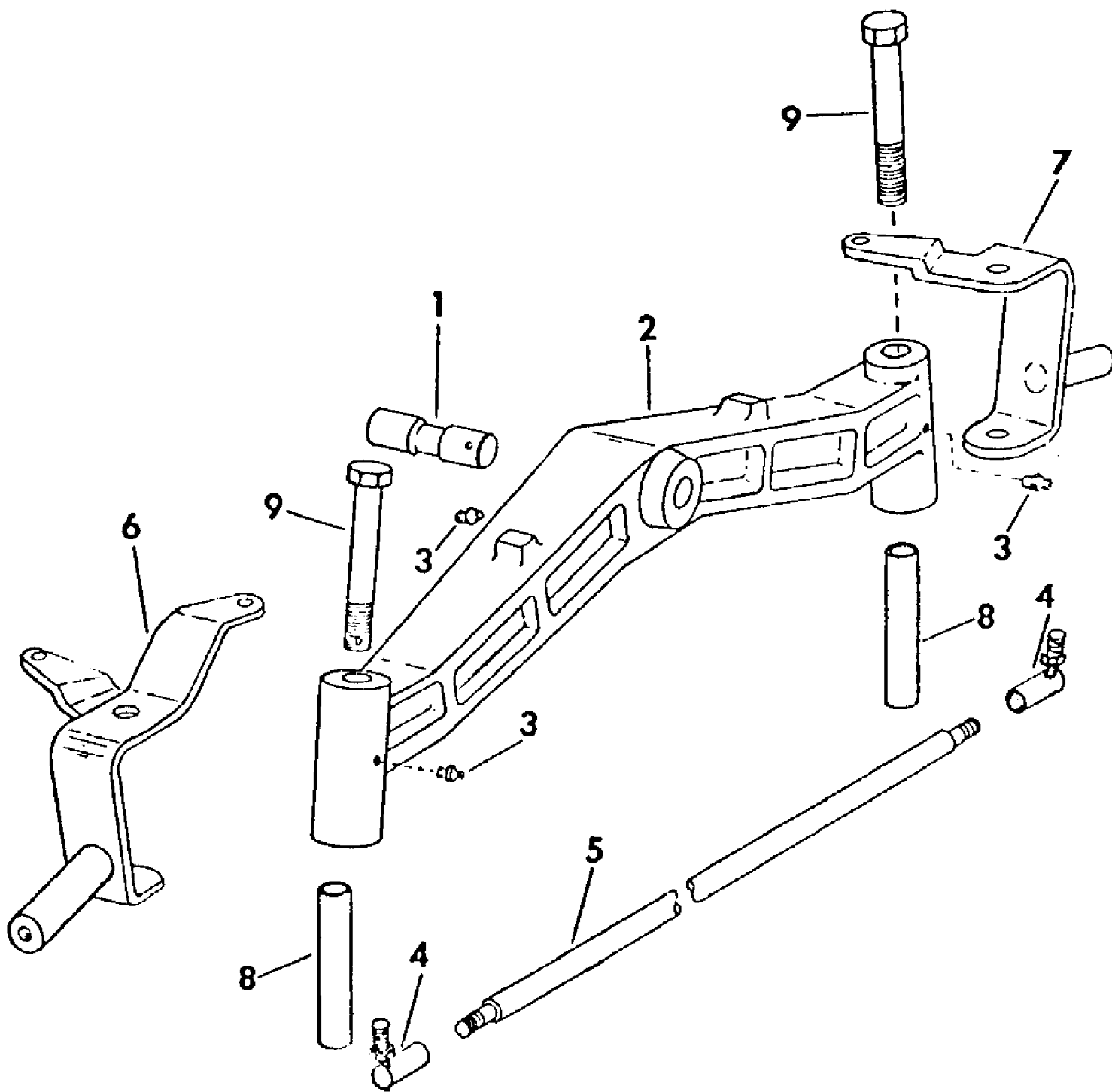
1250
Frame Ad Grille

Page 35 of 102

| Ref # | Part Number | Qty | S/P/F | Description |
|-------|--------------|-----|-------|----------------------------------------------------------------------------|
| 1 | ~NLA | 1 | | Frame Assy |
| 2 | IH-61504-C1 | 1 | | Shield, Frame Lower |
| | 710-3007 | 4 | /P | Screw, 12-24 X 3/8 Znd Hex Hd Cap |
| | | 4 | | Washer, No. 12 Znd Ext Tooth Lock (Common Hardware, Purchase Locally) |
| 3 | IH-544170-R1 | 1 | | Hitch Assy, Quick |
| | 711-3010 | 2 | S | Pin, 3/8 X 1-3/32 Znd Rod End |
| | 714-0507 | 2 | S | Pin, 3/32 X 3/4 Znd Cot |
| 4 | IH-402344-R3 | 2 | S | Spring, Latch |
| 5 | IH-61515-C1 | 1 | | Hood Assy |
| 6 | ~NLA | 1 | | Housing, Grille |
| | 710-3005 | 4 | /P | Screw, 3/8-16 X 1-1/4 Znd Hex Hd Cap |
| | IH-614452-R1 | 4 | S | Washer, 13/32 X 1-1/4 X 11 Ga Znd |
| 7 | IH-61420-C1 | 1 | | Insert, Grille (Use w/mufflers which protrude thru grille) |
| | IH-73484-C1 | 1 | | Insert, Grille (Use w/mufflers that do not protrude thru grille) |
| | IH-27095-R1 | 2 | | Screw, 10-24 X 1 Cr Rec Pan Hd Mach |
| | IH-118676 | 2 | S | Washer, .219 X .500 X .036 |
| | 712-0998 | 2 | /P | Nut, 10-24 Hex Lock Cad |
| 8 | IH-61294-C1 | 1 | S | Grille, Hood Extension |
| 9 | IH-106254-C1 | 1 | | Hinge, Hood Pivot |
| | 710-3021 | 6 | /P | Screw, 5/16-18 X 5/8 Znd Hex Hd Tap |
| | 736-0275 | 3 | S | Washer, .344 X .688 X .051 |
| 10 | 738-3001 | 2 | S | Bolt, Implement Mtg Shoulder |
| | 736-0272 | 2 | S | Washer, Implement Mtg |
| 11 | IH-64533-C3 | 1 | | Support Assy, Rear Hood |
| | 710-3039 | 2 | /P | Screw, 5/16-18 X 1/2 Znd Hex Hd Cap |
| | 736-0275 | 2 | S | Washer, 11/32 X 11/16 X .051 Znd |
| 12 | IH-544189-R1 | 2 | | Bumper, Hood (Serial No. 619863 & below) |
| | 735-3005 | 2 | | Strip, Hood Bumper (Serial No. 619864 & above) |
| | ~NLA | 1 | | Adhesive, Locktite #495 (For bumper strip 735-3005) |
| 13 | IH-61523-C2 | 1 | | Spring, Latch |
| 14 | IH-61418-C1 | 1 | | Panel, Grille |
| 15 | IH-545522-R1 | 2 | S | Bolt, Tee |
| | 736-0463 | 2 | S | Washer, 9/32 X 5/8 X .065 Znd |
| | | 1 | | Screw, 5/16-18 X 5/8 Znd Hex Hd Tap (Common Hardware, Purchase Locally) |
| | 712-3006 | 2 | /P | Nut, 1/4-20 Znd Hex |
| 16 | IH-106617-C2 | 1 | | Clip, Panel Retainer |
| 17 | | 1 | | Not used in this application |
| 18 | 703-0168 | 2 | | Bracket, Transmission Mounting |
| | | 2 | | Bolt, 3/8-16 X 1 Znd Hex Hd Mach (Common Hardware, Purchase Locally) |
| | IH-24839-R1 | 2 | S | Screw, 3/8-16 X 5/8 Znd Hex Hd Cap |
| | | 4 | | Washer, 3/8 Reg Lock (Common Hardware, Purchase Locally) |

1250
Frame Ad Grille

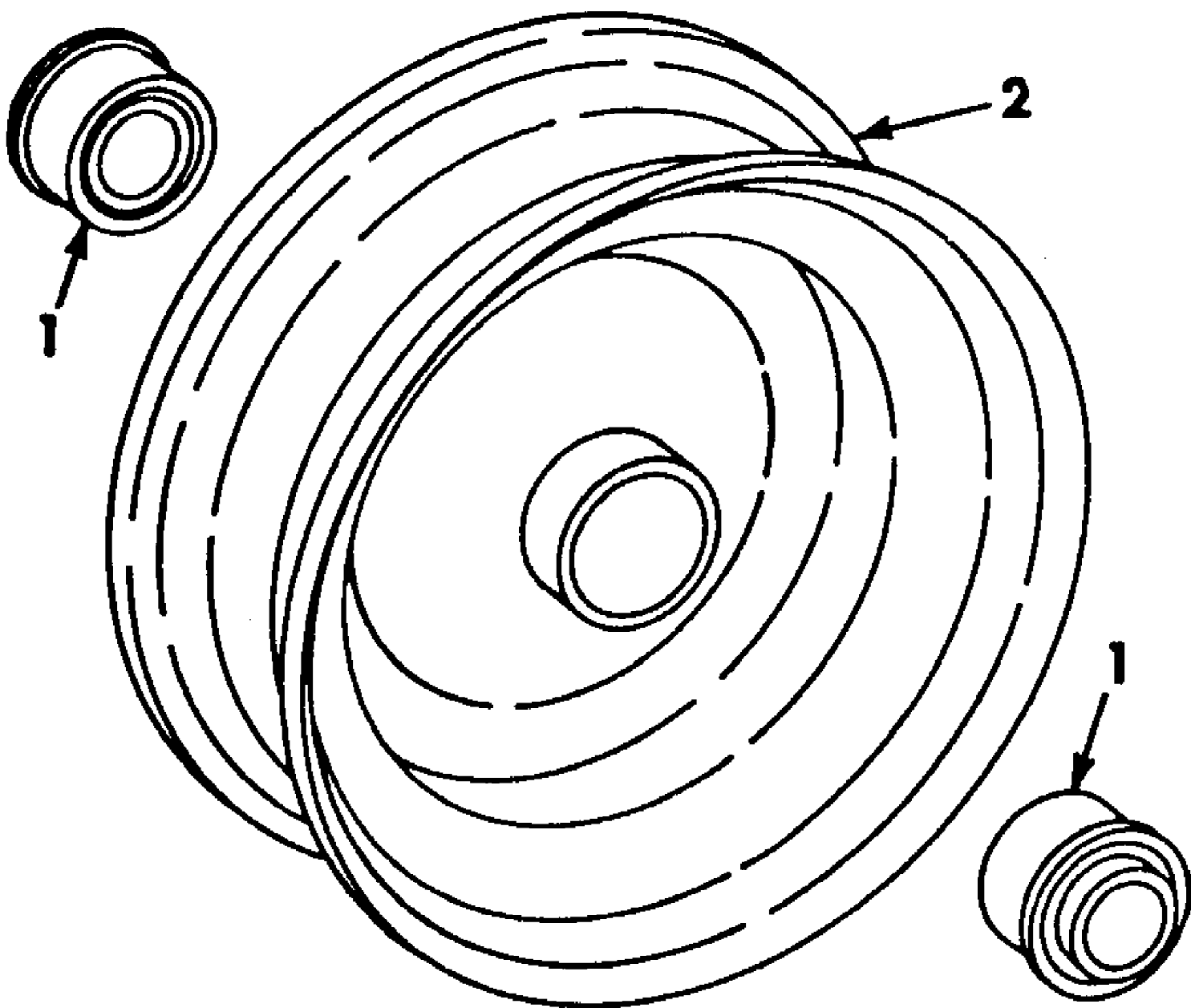
| Ref # | Part Number | Qty | S/P/F | Description |
|-------|--------------|-----|-------|------------------------------------|
| 19 | IH-391347-R2 | 2 | /P | Spring, Hold Down |
| 20 | 711-3005 | 1 | /P | Bushing, Front Axle Front Pin Rear |
| 21 | IH-384837-R1 | 1 | | Bushing, Front Axle Front Pin |



1250
Front Axle & Connections

Page 38 of 102

| Ref # | Part Number | Qty | S/P/F | Description |
|-------|--------------|-----|-------|------------------------------------------------------------------|
| 1 | IH-384626-R3 | 1 | S | Pin, Front Axle Pivot |
| | 715-0134 | 1 | S | Pin, 3/16 X 1-1/2 Hv Coiled Spring |
| 2 | 759-3270 | 1 | | Axle, Front |
| 3 | 737-3000 | 3 | S | Fitting, 3/16 Drive Type Str Lube |
| 4 | 723-3000 | 2 | S | Joint Assy, Ball |
| | 712-3002 | 2 | S | Nut, 3/8-24 C-Z Slit Hex |
| | 714-0507 | 2 | S | Pin, 3/32 X 3/4 C-Z Cot |
| 5 | 711-3018 | 1 | /P | Rod, Tie |
| | 712-3001 | 2 | S | Nut, 3/8-24 Hex |
| 6 | IH-544212-R1 | 1 | | Knuckle Assy, Steering LH (Tractors w/Serial No. 632501 & below) |
| | 703-0083 | 1 | S | Knuckle Assy, Steering LH (Tractors w/Serial No. 632502 & above) |
| | IH-24839-R1 | 1 | S | Screw, 3/8-16 X 3/4 Hex Hd Cap |
| | 736-3011 | 1 | /P | Washer, .406 X 1.750 X .105 |
| 7 | IH-544217-R1 | 1 | | Knuckle Assy, Steering RH (Tractors w/Serial No. 632501 & below) |
| | 703-0085 | 1 | S | Knuckle Assy, Steering RH (Tractors w/Serial No. 632502 & above) |
| | IH-24839-R1 | 1 | S | Screw, 3/8-16 X 3/4 Hex Hd Cap |
| | 736-3011 | 1 | /P | Washer, .406 X 1.750 X .105 |
| 8 | 750-3002 | 2 | S | Spacer, Steering Knuckle |
| 9 | 710-3020 | 2 | /P | Bolt, Steering Knuckle |
| | 712-3012 | 2 | S | Nut, 1/2-20 Znd Slit |
| | | 2 | | Pin, 3/32 X 1 C-Z Cot (Common Hardware, Purchase Locally) |



1250

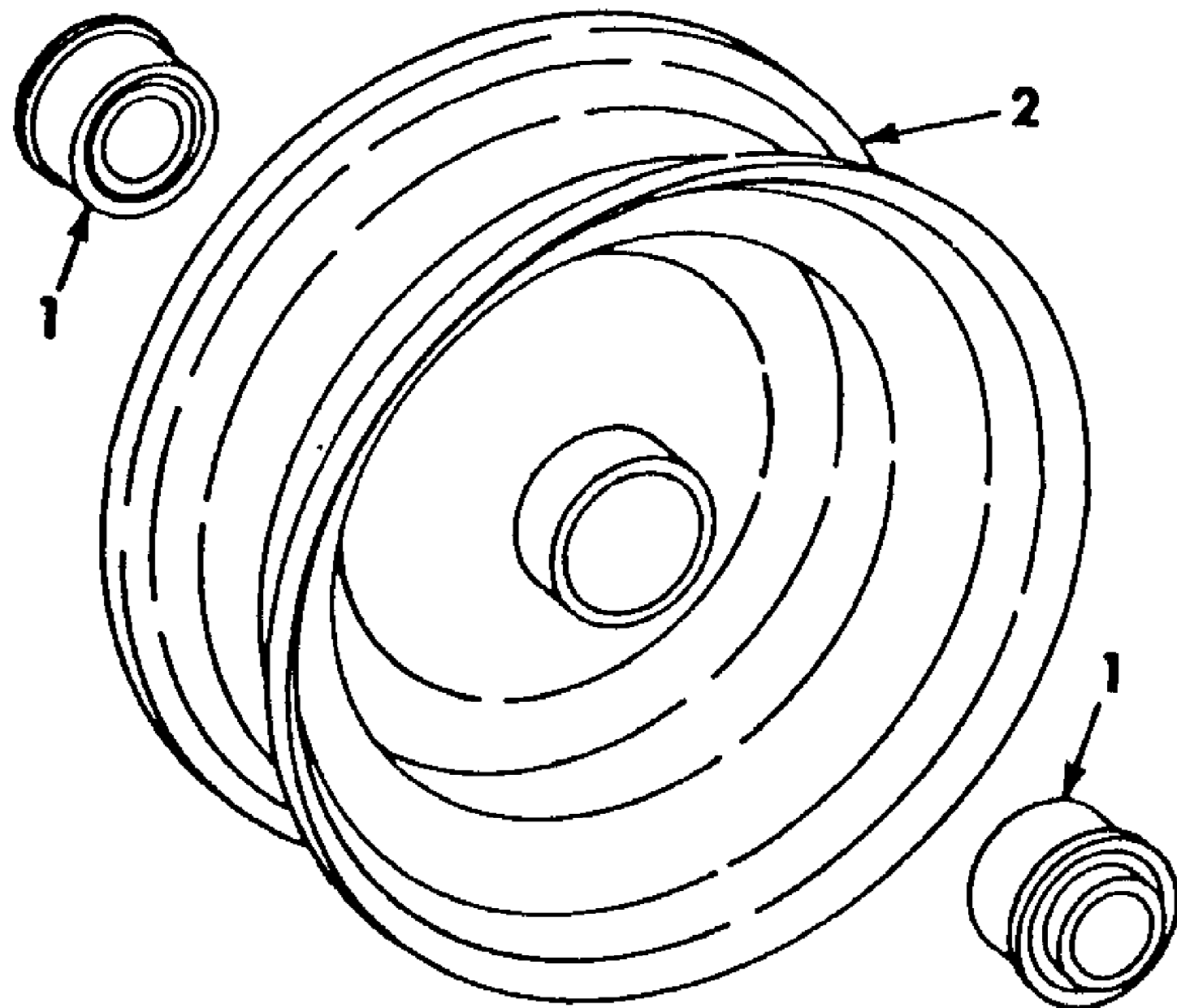
Page 40 of 102

Front Wheels-Tractors W/sn 632501 & Below

| Ref # | Part Number | Qty | S/P/F | Description |
|-------|---------------|-----|-------|---------------------------------------------------|
| 1 | IH-384881-R93 | 4 | S | Bearing Assy, Front Wheel Ball |
| 2 | IH-386188-R92 | 2 | /P | Wheel Assy, Front -4.00/8 Rim for 4.80-8 Tires |
| | IH-545730-R2 | 2 | /P | Wheel Assy, Front 5.38/8 Rim for 6.50-8 Tires |
| | 734-0255 | 2 | S | Valve, TR-413 Tubeless Type |

1250
Front Wheels-Tractors W/sn 632502 & Up

Page 41 of 102

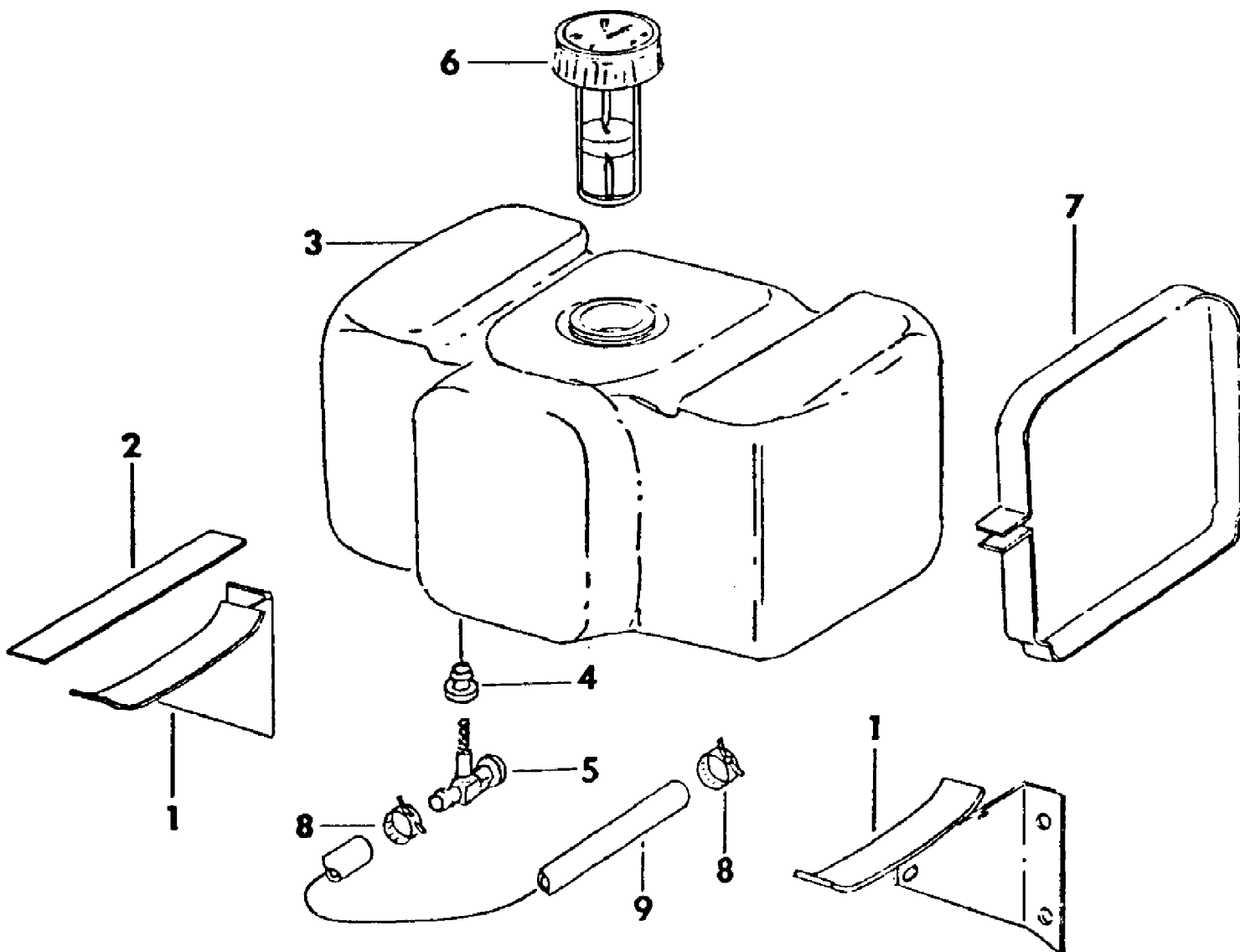


1250

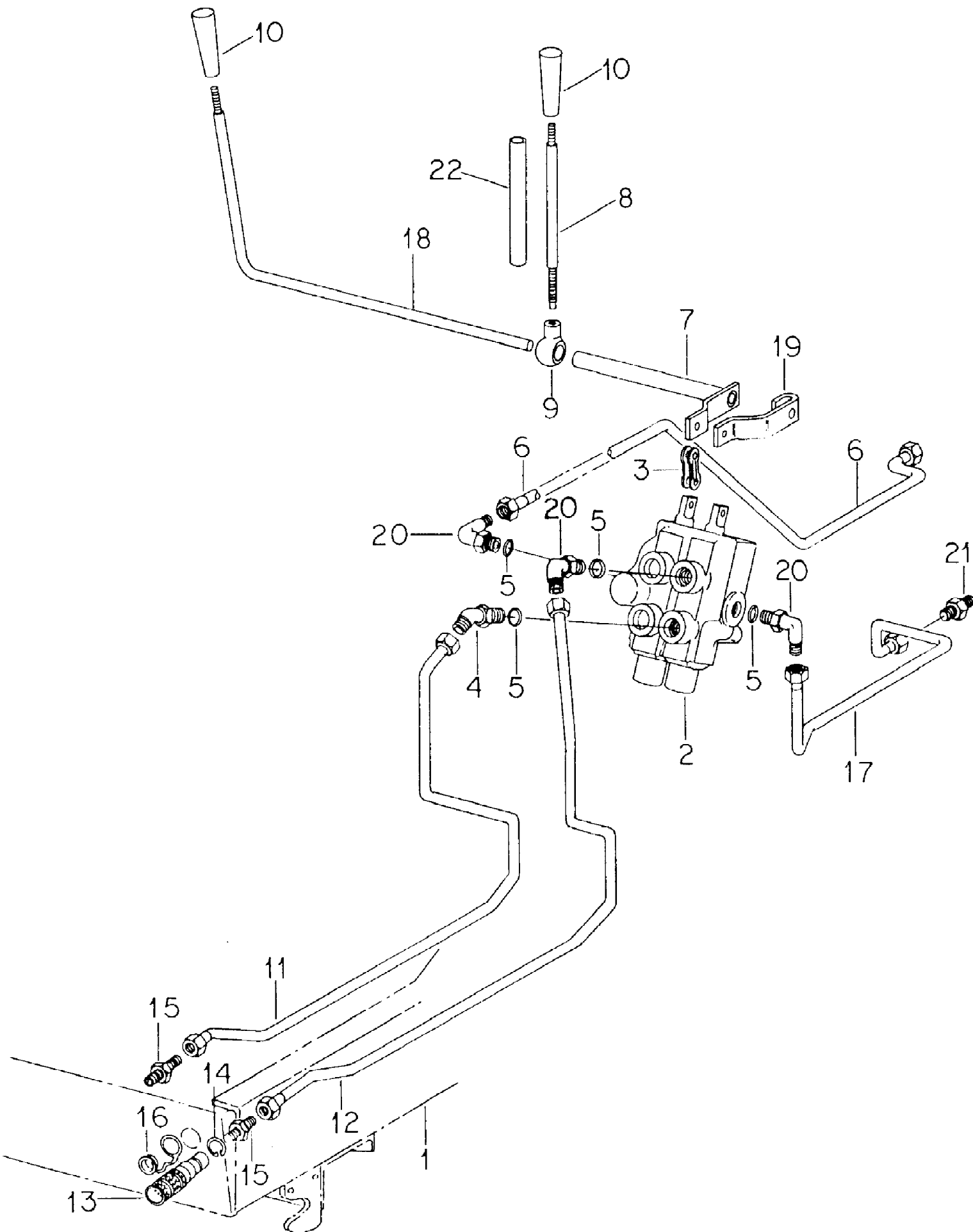
Page 42 of 102

Front Wheels-Tractors W/sn 632502 & Up

| Ref # | Part Number | Qty | S/P/F | Description |
|-------|-------------|-----|-------|-----------------------------------------------|
| 1 | 741-3002 | 4 | S | Bearing Assy, Front Wheel |
| 2 | 734-3053 | 2 | | Wheel Assy, Front 5.38/8 Rim for 6.50-8 Tires |
| | 734-0255 | 2 | S | Valve, TR-413 Tubeless Type |



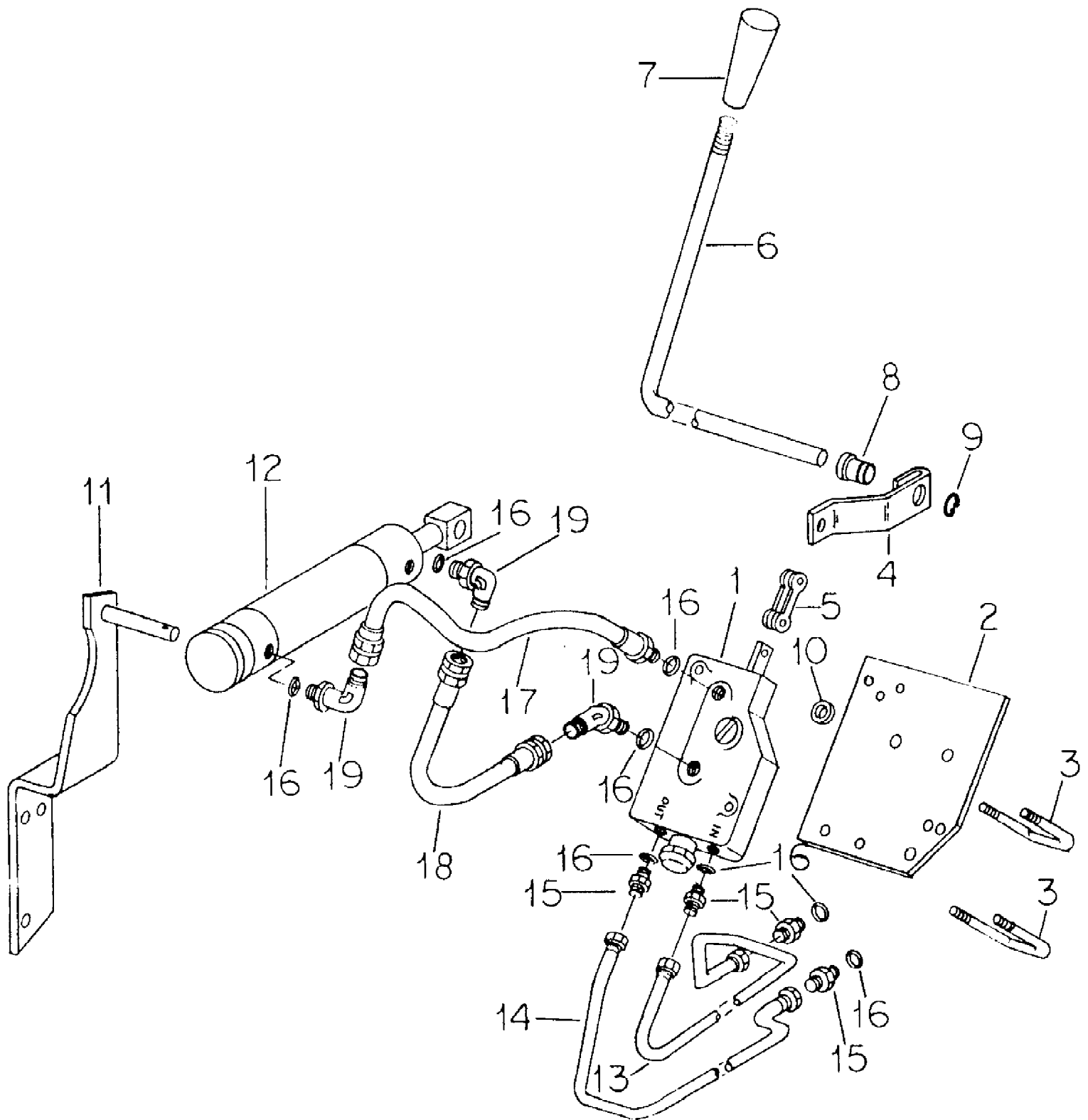
| Ref # | Part Number | Qty | S/P/F | Description |
|-------|--------------|-----|-------|--------------------------------------------------------------------------|
| 1 | IH-61511-C1 | 1 | | Bracket Assy, Tank LH |
| | 710-3039 | 2 | /P | Bolt, 5/16 X 1/2 Type 5 |
| | IH-61512-C1 | 1 | | Bracket Assy, Tank RH |
| | 710-3039 | 2 | /P | Bolt, 5/16 X 1/2 Type 5 |
| 2 | IH-404831-R1 | 2 | | Pad, Fuel Tank |
| 3 | IH-63719-C91 | 1 | | Tank, Fuel (Replaces IH-61927-C2 by also ordering cap IH-109037-C1) |
| 4 | 751-3008 | 1 | S | Bushing, Shut-Off |
| 5 | IH-109042-C1 | 1 | S | Shut-Off Assy, Valve |
| 6 | IH-61635-C2 | 1 | S | Gauge, Fuel Tank (Serial No. 560209 & below) |
| | IH-109037-C1 | 1 | S | Gauge, Fuel Tank (Serial No. 560210 & above) |
| 7 | KH-A-236942 | 2 | /P | Strap, Fuel Tank |
| | IH-20244-R1 | 2 | | Nut, 1/4-20 Znd Nylon Insert |
| | | 2 | | Screw, 1/4-20 X 1-3/4 Znd Hex Hd Cap (Common Hardware, Purchase Locally) |
| 8 | IH-61895-C1 | 2 | | Clamp, Hose |
| 9 | | 1 | | Hose (Use 9.62 inch of 3/8 hose from bulk roll marked IH-117310-C1) |



1250
Hydraulic Front Outlet Unit

Page 46 of 102

| Ref # | Part Number | Qty | S/P/F | Description |
|-------|---------------|-----|-------|-----------------------------------------------------------------------------------------------------------|
| 1 | ~NLA | 1 | | Frame Assy, Front Outlets |
| 2 | IH-61899-C92 | 1 | S/F | Valve Assy, Two Spool Control (Only serviceable items are centering spring kit IH-62171-C1 & four O-rings |
| | 750-3008 | 2 | | Spacer, .375 X .405 X .269 Std Pipe |
| 3 | 713-3000 | 1 | S | Link, Chain |
| 4 | IH-9411104 | 2 | | Elbow, 9/16-18 C-Z 37 Deg Hyd Flared Tube Adj Str Thd 45 Deg |
| 5 | 721-3001 | 4 | /P | O-Ring, 3/8 OD Tube |
| 6 | IH-106875-C1 | 1 | | Tube, Return |
| 7 | IH-106874-C1 | 1 | | Shaft Assy, Valve Handle |
| 8 | IH-61702-C1 | 1 | | Handle, Valve |
| 9 | IH-106266-C1 | 1 | | Hub, Valve Handle |
| 10 | IH-396454-R1 | 1 | | Grip, Handle |
| 11 | IH-106877-C1 | 1 | | Tube, Pressure Supply Upper |
| 12 | IH-106878-C1 | 1 | | Tube, Pressure Supply Lower |
| 13 | IH-166122-C92 | 2 | S | Body, Hyd Coupling |
| 14 | 716-3014 | 2 | | Ring, External Ret |
| 15 | IH-9402708 | 2 | | Connector, 1/4-18 Ptf X 9/16-18 C-Z 37 Deg Hyd Flared Tube |
| 16 | 731-3022 | 2 | /P | Plug, Protective |
| 17 | IH-106876-C1 | 1 | | Tube Assy, Pressure |
| 18 | IH-135547-C1 | 1 | | Handle, Valve (Replaces handle IH-61636-C1 by also ordering lever IH-106531-C2 & attachin |
| 19 | IH-106531-C2 | 1 | S | Lever Assy, Valve Handle |
| | IH-25654-R1 | 1 | | Bolt, 5/16 X 1-1/2 Phc Type 8 |
| | 712-3046 | 1 | /P | Nut, 5/16 Phc P/T Lock Type 8 |
| | HH-03-03017 | 1 | | Washer, .344 X .688 X .089 Phc Hdn |
| 20 | 727-3012 | 3 | /P | Elbow, 9/16-18 C-Z 37 Deg Hyd Flared Tube Adj Str Thd 90 Deg |
| 21 | 727-3002 | 1 | S | Union, 9/16-18 C-Z 37 Deg Hyd Flared Tube Short Swivel |
| 22 | IH-140231-C1 | 1 | | Tube, Valve Handle |
| | 712-0342 | 1 | /P | Nut, 3/8 Jam Type 5 |
| | 717-3025 | 1 | /P | Valve Assy, 2 Spool Control (Only serviceable parts are) |
| | 759-3434 | 1 | | Kit, Seal |
| | 759-3435 | 1 | | Kit, Spring Centering |

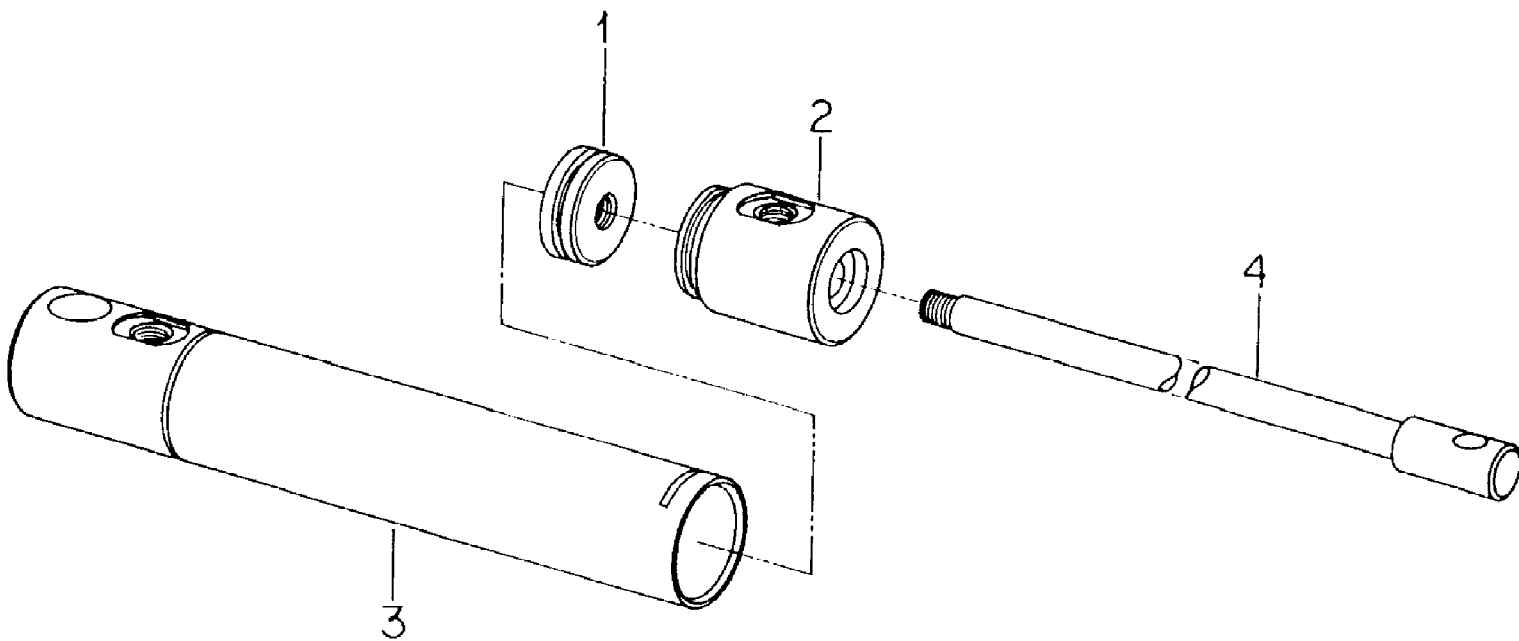


1250
Hydraulic Lift

Page 48 of 102

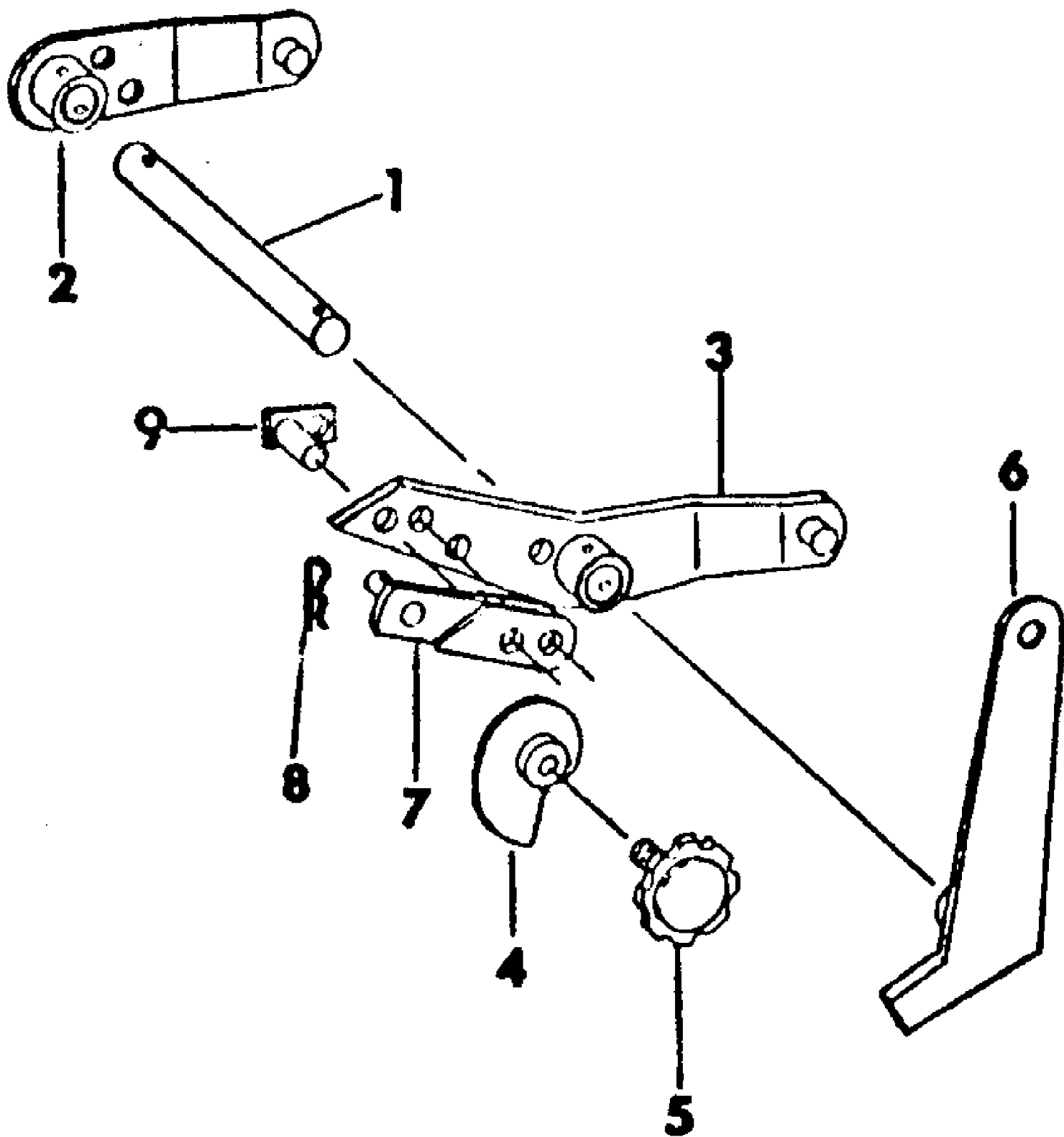
| Ref # | Part Number | Qty | S/P/F | Description |
|-------|--------------|-----|-------|------------------------------------------------------------------------------------------------------|
| 1 | | 1 | F | Valve Assy, Control (Order valve assy 717-3004) |
| | | 1 | F | Valve Assy, 4 Way Control (Order valve assy 717-3004) |
| 2 | IH-106533-C1 | 1 | | Plate, Valve Support |
| 3 | 747-3016 | 2 | | Clamp |
| | | 2 | | Bolt, 1/4 X 2-1/4 Znd Hex Hd Mach (Common Hardware, Purchase Locally) |
| | 712-3006 | 2 | /P | Nut, 1/4-20 Znd Hex |
| 4 | IH-106531-C2 | 1 | S | Lever Assy, Valve Handle |
| | IH-25654-R1 | 1 | | Bolt, 5/16 X 1-1/2 Phc Type 8 |
| | 712-3046 | 1 | /P | Nut, 5/16 Phc P/T Lock Type 8 |
| | HH-03-03017 | 1 | | Washer, .344 X .688 X .089 Phc Hdn |
| 5 | 713-3000 | 1 | S | Link, Chain |
| 6 | IH-135547-C1 | 1 | | Handle, Valve (Replaces handle IH-61636-C1 by also ordering lever IH-106531-C2 & attachin |
| 7 | IH-396454-R1 | 1 | | Grip, Handle |
| 8 | IH-61637-C1 | 1 | | Bushing, Valve Handle |
| 9 | IH-21332-R1 | 1 | | Ring, Retaining |
| 10 | 750-3008 | 2 | | Spacer, 1/8 X .375 Std Pipe |
| | 736-0119 | 4 | S | Nut, 5/16-24 Znd Hex |
| 11 | IH-548038-R1 | 1 | | Bracket Assy, Lift |
| | 710-0514 | 3 | /P | Screw, 3/8-16 X 1 Znd Hex Hd Cap |
| | 712-0798 | 3 | /P | Nut, 3/8-16 Znd Hex |
| 12 | IH-548040-R3 | 1 | | Cylinder Assy, Hydraulic Lift (For components see list of parts under details of hydraulic cylinder) |
| | ~NLA | 1 | | Washer, 25/32 X 1-1/8 X 10 Ga |
| | | 1 | | Pin, 1/4 X 1-1/4 Cotter (Common Hardware, Purchase Locally) |
| 13 | IH-106307-C1 | 1 | | Tube Assy, Pressure |
| 14 | IH-106584-C2 | 1 | | Tube Assy, Return |
| 15 | 727-3002 | 4 | S | Union, 9/16-18 C-Z 37 Deg Hyd Flared Tube Short Swivel |
| 16 | 721-3001 | 8 | /P | O-Ring, 3/8 OD Tube |
| 17 | IH-548044-R2 | 1 | /P | Hose, Lift |
| 18 | IH-548045-R2 | 1 | /P | Hose, Lower |
| 19 | 727-3012 | 3 | /P | Elbow, 9/16-18 C-Z 37 Deg Hyd Flared Tube Adj Str Thd 90 Deg |

1250
Hydraulic Lift Cylinder-1.50x 4.77 Inches



1250
Hydraulic Lift Cylinder-1.50x 4.77 Inches

| Ref # | Part Number | Qty | S/P/F | Description |
|-------|--------------|-----|-------|----------------------------------------------------------------------------------------------------------------------------------------------------------------------------------------------|
| | IH-548040-R3 | 1 | | Cylinder Assy, Hydraulic Lift |
| 1 | | 1 | | Piston, Hydraulic Cylinder (Order complete hydraulic lift cylinder assy) |
| 2 | | 1 | | End, Hydraulic Cylinder Front (Order complete hydraulic lift cylinder assy) |
| 3 | | 1 | | Body, Hydraulic Cylinder (Order complete hydraulic lift cylinder assy) |
| 4 | | 1 | | Rod, Hydraulic Cylinder Piston (Order complete hydraulic lift cylinder assy) |
| | IH-76950-C1 | 1 | | Kit, Hydraulic Cylinder O-Ring & Seal Repair O-Ring, 3/32 X 1/2 ID O-Ring, 1/8 X 1-1/4 ID O-Ring, 1/16 X 1-1/4 ID Ring, Lock Ring, Slipper Seal, Wiper Washer, 3/32 X 1/2 Backup |

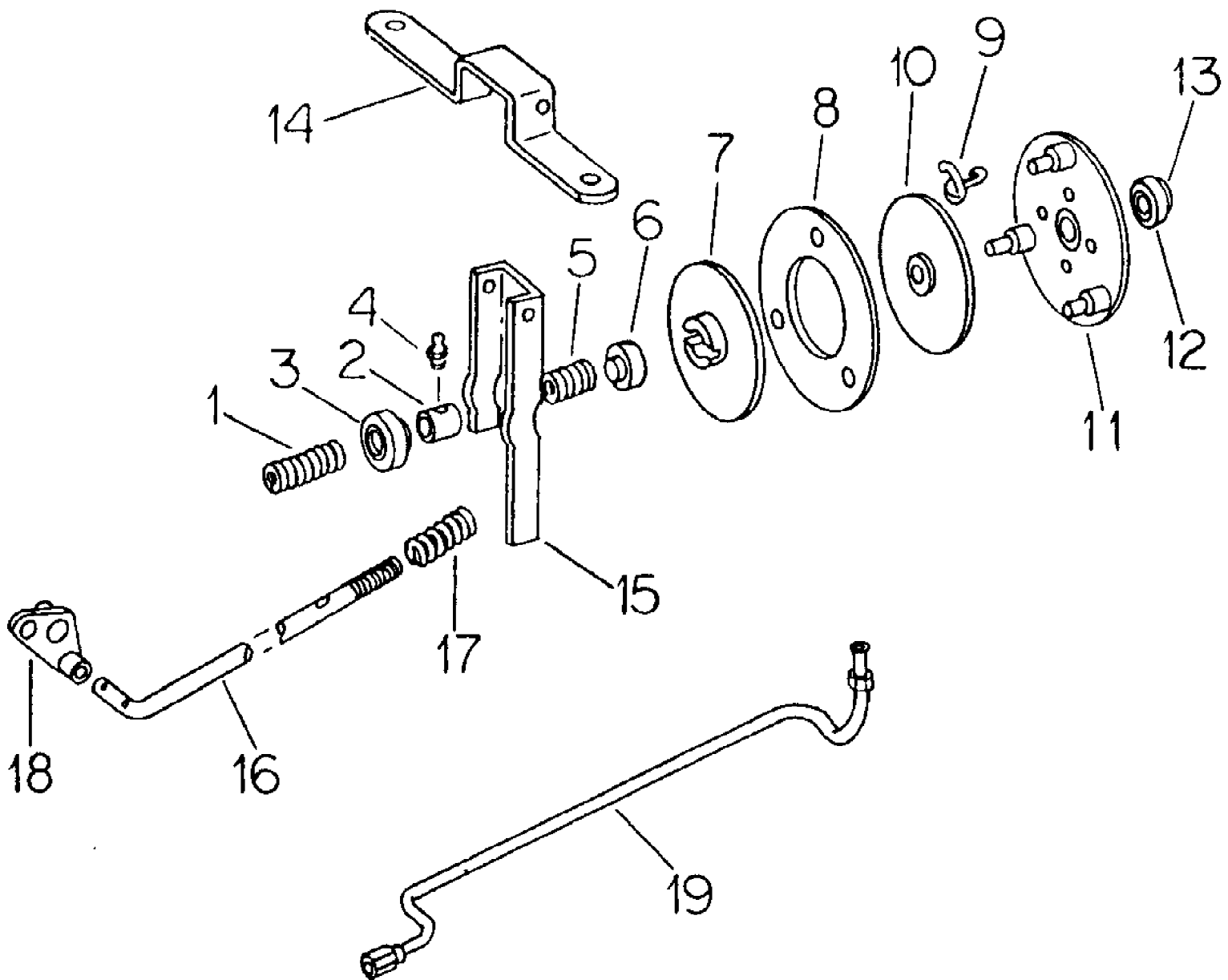


1250

Page 52 of 102

Hydraulic Lift Rockshaft & Connections

| Ref # | Part Number | Qty | S/P/F | Description |
|-------|--------------|-----|-------|--------------------------------------------------------------|
| 1 | IH-544194-R1 | 1 | | Rockshaft |
| 2 | IH-544195-R1 | 1 | | Arm Assy, Lift LH |
| | 715-3002 | 1 | S | Pin, 5/16 X 1-1/2 Coiled Spring |
| 3 | IH-545627-R1 | 1 | | Arm Assy, Lift RH |
| | 715-3002 | 1 | S | Pin, 5/16 X 1-1/2 Coiled Spring |
| 4 | IH-544202-R2 | 1 | | Cam Assy, Lift Handle Stop |
| | IH-178374-R1 | 1 | /P | Washer, 17/32 X 1-1/8 X 18 Ga C-Z |
| 5 | IH-544205-R1 | 1 | | Knob, Torque |
| 6 | IH-548048-R1 | 1 | | Plate Assy, Rockshaft |
| | 715-3009 | 1 | S | Pin, 5/16 X 2 Hv Coiled Spring |
| 7 | IH-548046-R1 | 1 | | Clevis Assy, Hydraulic Lift |
| | | 1 | | Pin, 1/2 X 1-3/16 Std Hd (Common Hardware, Purchase Locally) |
| | | 1 | | Pin, 3/16 X 7/8 Cot (Common Hardware, Purchase Locally) |
| | 736-0272 | 2 | S | Washer, 17/32 X 1-1/16 X 16 Ga |
| 8 | IH-475579-R1 | 1 | S | Pin, Quick Attachable Cot |
| 9 | IH-545633-R1 | 1 | | Pin, Float Lockout |

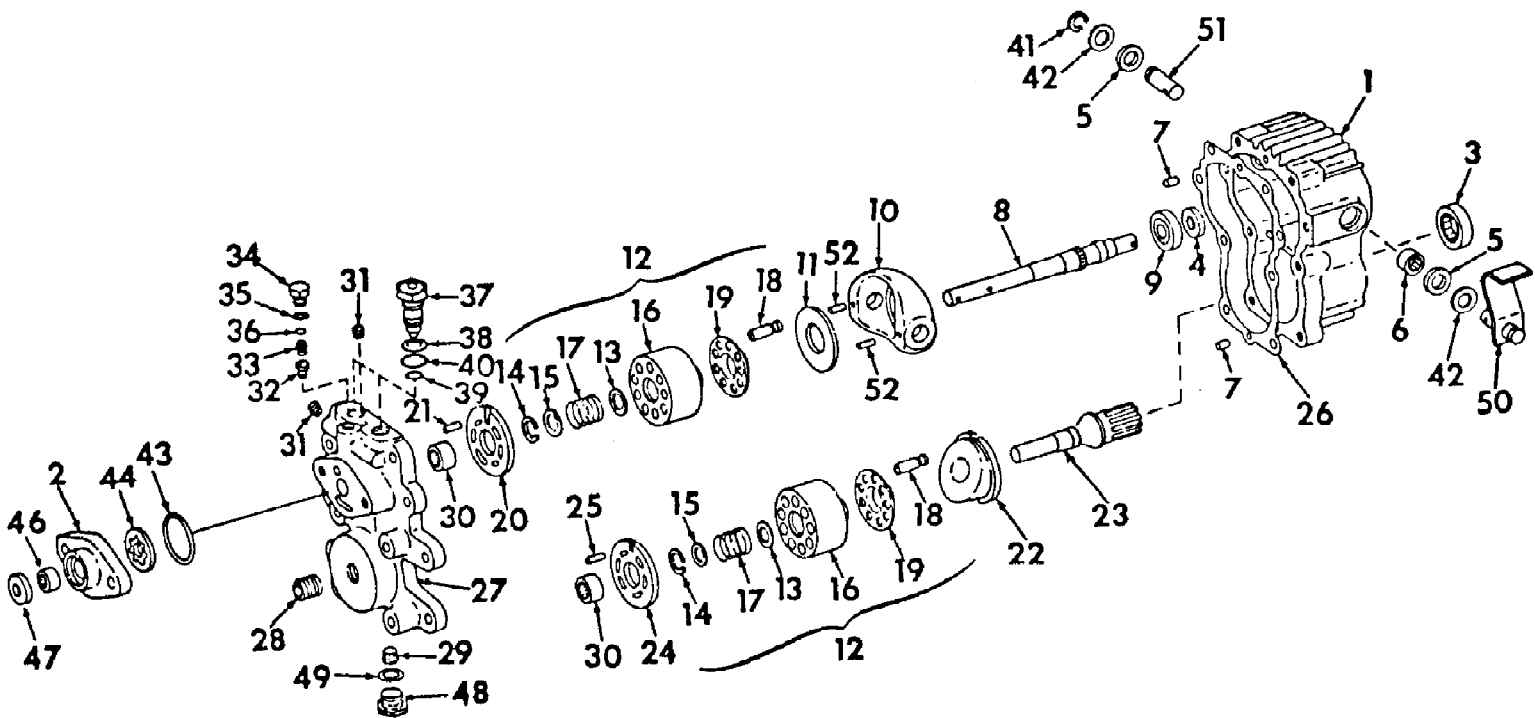


1250

Page 54 of 102

Hydrostatic Disconnect Attachment

| Ref # | Part Number | Qty | S/P/F | Description |
|-------|---------------|-----|-------|---------------------------------------------------------------------|
| 1 | 732-3016 | 1 | S | Spring, Loading |
| | 736-0156 | 1 | /P | Washer, .65 X 1 X .105 Pln |
| 2 | 703-0600 | 1 | /P | Bushing, Lubricating |
| 3 | IH-391237-R91 | 1 | S | Bearing, Throwout Ball |
| 4 | IH-19625-R91 | 1 | S | Fitting, 1/4-28 Taper Drive Thread Lube |
| 5 | 732-3017 | 1 | S | Spring, Teasing |
| 6 | 711-3040 | 1 | S | Spacer, Spring |
| 7 | 703-0213 | 1 | S | Hub Assy, Pressure Plate (Optional w/IH-63815-C1) |
| | IH-63815-C1 | 1 | S | Hub Assy, Pressure Plate (Optional w/703-0213) |
| 8 | 761-3002 | 1 | S | Disc, Clutch Friction |
| 9 | 732-3018 | 1 | S | Spring, Driving Disc |
| 10 | 703-0214 | 1 | S | Hub Assy, Pressure Plate Locating |
| | 715-0114A | 2 | S | Pin, 1/4 X 1-1/2 Hvy Pln Cld Spr |
| 11 | IH-117591-C1 | 1 | | Plate Assy, Driving |
| 12 | IH-126205-C1 | 1 | S | Hub Assy, Pilot |
| 13 | 741-3004 | 1 | S | Bushing, Ball |
| 14 | IH-547629-R1 | 1 | | Hanger Assy, Clutch Lever |
| | | 2 | | Screw, 5/16-18 X 3/4 Hex Hd Cap (Common Hardware, Purchase Locally) |
| 15 | IH-61461-C1 | 1 | S | Lever, Release |
| | 711-3044 | 1 | S | Pin, 3/8 X 3.688 Pln Hd Type 5 |
| | IH-25708-R1 | 1 | S | Washer, .406 X .750 X .105 |
| | 714-0474 | 1 | S | Pin, 1/8 X 3/4 Cot |
| 16 | IH-117338-C2 | 1 | | Rod, Clutch Release |
| | 736-0140 | 4 | S | Washer, .406 X .734 X .056 |
| | 714-0474 | 3 | S | Pin, 1/8 X 3/4 Cot |
| | 712-3061 | 1 | S | Nut, 3/8-NF Cad P/T Lock |
| 17 | 732-3005 | 1 | S | Spring, Release Rod |
| 18 | ~NLA | 1 | | Arm, Clutch & Brake Pedal |
| | 715-3018 | 1 | S | Pin, 1/4 X 1-3/8 Med Pln Cld Spr |
| 19 | IH-106584-C2 | 1 | | Tube Assy, Return |
| | 723-3022 | 1 | /P | Ball, 5/8 Cr Stl |



1250
Hydrostatic Transmission

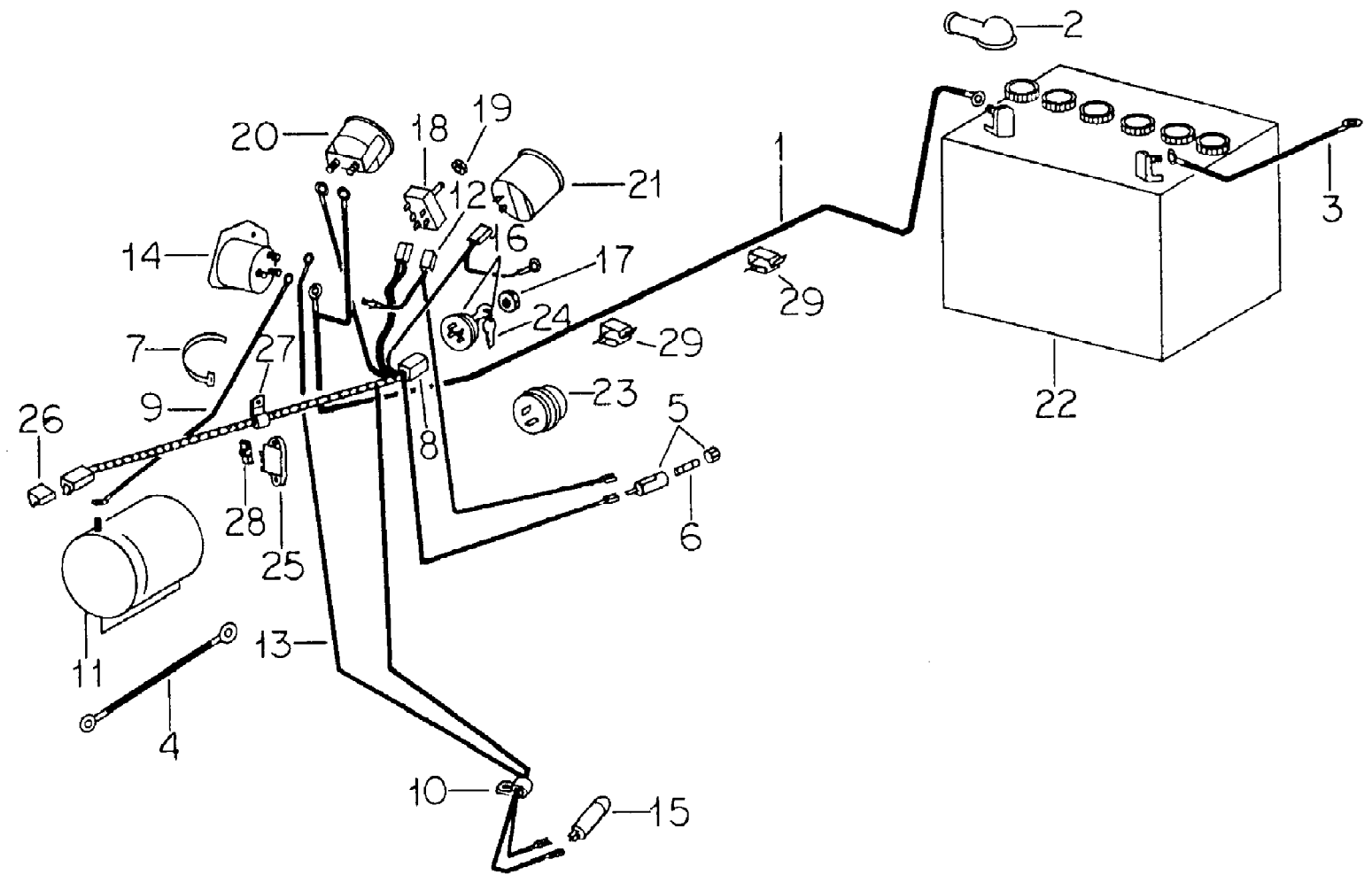
Page 56 of 102

| Ref # | Part Number | Qty | S/P/F | Description |
|-------|-----------------|-----|-------|----------------------------------------------------------------------------------------------|
| | 717-3032 | 1 | | Transmission Assy, Hydrostatic Drive |
| | 717-3033 | 1 | | Transmission Assy, Hydrostatic Drive (For tractors w/hydraulic lift) |
| 1 | SU-3102732 | 1 | | Housing Assy (Replaces IH-398560-R91 by also ordering two seals SU-9008000-6701 & two wa |
| | | 2 | | Screw, 1/4-20 X 7/8 Hex Hd Soc Cap (Common Hardware, Purchase Locally) |
| 2 | | 1 | F | Housing, Charge Pump (Not serviced separately, order pump kit SU-9510405-0001) |
| | | 2 | | Screw, 7/16-14 X 2 Hex Hd Cap (Common Hardware, Purchase Locally) |
| | 736-0171 | 2 | S | Washer, 7/16 Med Lock |
| 3 | SU-9001370-0003 | 1 | /P | Bearing, Hyd Pump Shaft Roller |
| 4 | IH-394847-R91 | 1 | S | Seal, Lip |
| 5 | IH-383534-R91 | 2 | S | Seal, Lip (Serial No. 592014 & below) |
| | SU-9008000-6701 | 2 | /P | Seal, Lip (Serial No. 592015 & above) |
| 6 | IH-629631-R91 | 1 | | Bearing, Needle |
| 7 | SU-9004800-2506 | 2 | S | Pin, Transmission Housing |
| 8 | SU-3101867 | 1 | /P | Shaft, Transmission Hyd Pump |
| 9 | 741-0361 | 1 | S | Bearing, Ball |
| 10 | IH-394851-R1 | 1 | | Swashplate, Hyd Pump |
| 11 | IH-394852-R1 | 1 | | Plate, Hyd Pump Swashplate Thrust |
| 12 | SU-3103136 | 2 | /P | Kit, Cylinder Block Motor & Pump |
| 13 | IH-405179-R1 | 2 | /P | Washer, Spring Front |
| 14 | IH-317776-R1 | 2 | | Ring, Hyd Cylinder Block Spring Rear Washer Snap |
| 15 | IH-394858-R1 | 2 | | Washer, Hyd Cylinder Block Spring Rear |
| 16 | | 1 | | Block, Cylinder (Not serviced separately, order cylinder block kit SU-3103136) |
| 17 | SU-3100120 | 2 | | Spring, Hyd Cylinder Block |
| 18 | | 1 | | Piston Assy, Hyd Pump & Motor (Not serviced separately, order cylinder block kit SU-3103136) |
| 19 | SU-3100194 | 2 | /P | Retainer, Hyd Piston Slipper |
| 20 | SU-3102731 | 1 | /P | Plate, Hyd Cylinder Block Valve |
| 21 | SU-9004800-1508 | 1 | /P | Pin, Hyd Pump Cylinder Block |
| 22 | SU-3100349 | 1 | | Swashplate, Hyd Motor |
| 23 | SU-3101752 | 1 | /P | Shaft, Transmission Hyd Motor |
| 24 | SU-3102687 | 1 | /P | Plate, Hyd Motor Cylinder Block Valve |
| 25 | SU-9004800-1508 | 1 | /P | Pin, Hyd Motor Cylinder Block |
| 26 | SU-3102875 | 1 | S | Gasket, Transmission Housing |
| 27 | SU-9510643 | 1 | /P | Housing, Center Section |
| | SU-9510643 | 1 | /P | Housing, Transmission Center (Tractors w/hydraulic lift) |
| | | 1 | | Screw, 3/8-16 X 1-1/4 Hex Hd Cap (Common Hardware, Purchase Locally) |

1250
Hydrostatic Transmission

Page 57 of 102

| Ref # | Part Number | Qty | S/P/F | Description |
|-------|-----------------|-----|-------|-----------------------------------------------------------------------------------------------|
| | | 1 | | Screw, 3/8-16 X 1-1/2 Hex Hd Cap (Common Hardware, Purchase Locally) |
| | | 4 | | Screw, 3/8-16 X 2 Hex Hd Cap (Common Hardware, Purchase Locally) |
| | | 2 | | Screw, 3/8-16 X 1-1/4 Hex Hd Cap (Common Hardware, Purchase Locally) |
| 28 | IH-394868-R1 | 1 | S | Fitting, Center Housing |
| 29 | IH-444691 | 1 | | Plug, 1/4-18 Automotive Hex Soc Hd Pipe |
| 30 | SU-9001355-0001 | 2 | /P | Bearing, Center Housing Needle |
| 31 | IH-444687 | 1 | | Plug, 1/8-27 Automotive Hex Soc Hd Pipe |
| 32 | SU-3100053 | 2 | /P | Cone, Charge Pump Relief Valve |
| | SU-3100053 | 2 | /P | Cone, Relief Valve (Tractors w/hydraulic lift) |
| 33 | SU-3101536 | 1 | /P | Spring, Charge Pump Relief Valve |
| | SU-3101536 | 1 | /P | Spring, Charge Relief Valve (Tractors w/hydraulic lift) |
| 34 | SU-3101159 | 1 | S | Plug, Charge Pump Relief Valve |
| | SU-3100055 | 1 | /P | Plug, Relief Valve (Tractors w/hydraulic lift) |
| | SU-3102301 | 1 | | Spring, Implement Relief Valve (Tractors w/hydraulic lift) |
| 35 | IH-369384-R1 | 1 | | O-Ring, 13/32 X 9/16 X 5/64 Relief Valve Plug |
| 36 | SU-9510447 | 1 | /P | Shim, Pack |
| 37 | SU-9500085 | 2 | S | Valve Assy, Center Housing Check |
| 38 | SU-9006110-0160 | 2 | /P | Washer, Check Valve Housing |
| 39 | IH-379181-R1 | 2 | | O-Ring, 5/8 X 3/4 X 1/16 |
| 40 | 721-3005 | 2 | S | O-Ring, 3/4 X 15/16 X 3/32 Check Valve Housing Large |
| 41 | IH-21065-R1 | 1 | | Ring, Trunnion Shaft Snap |
| 42 | SU-9009625-6904 | 1 | /P | Washer, Trunnion Shaft Seal Retaining |
| 43 | IH-23707-R1 | 1 | | O-Ring, 2-3/8 X 2-1/2 X 1/6 Class 5 |
| 44 | | 1 | F | Rotor Assy, Charge Pump (Not serviced separately, order pump kit SU-9510405-0001) |
| | SU-9004875-0076 | 1 | /P | Pin, Charge Pump Rotor |
| 46 | | 1 | F | Bearing, Charge Pump Housing Needle (Not serviced separately, order pump kit SU-9510405-0001) |
| 47 | IH-394847-R91 | 1 | S | Seal, Lip |
| 48 | IH-9410359 | 2 | | Plug, 3/4-16 C-Z Str Thd |
| 49 | IH-570828-R1 | 2 | | O-Ring, 41/64 X 13/16 X 3/32 |
| 50 | SU-3103181 | 1 | S | Shaft Assy, Trunnion |
| 51 | SU-3101045 | 1 | /P | Shaft, Trunnion |
| 52 | IH-27280-R1 | 2 | /P | Pin, 3/16 X 5/8 Coiled Spring |
| | SU-9510405-0001 | 1 | /P | Kit, Charge Pump Housing |
| | IH-394847-R91 | 1 | S | Seal Rotor Assy Bearing |
| | SU-9004875-0076 | 1 | /P | Pin |
| | SU-9510405-0003 | 1 | /P | Kit, Charge Pump (Tractors w/hydraulic lift) Housing |
| | IH-394847-R91 | 1 | S | Seal Rotor Assy Bearing |
| | SU-9004875-0076 | 1 | /P | Pin |

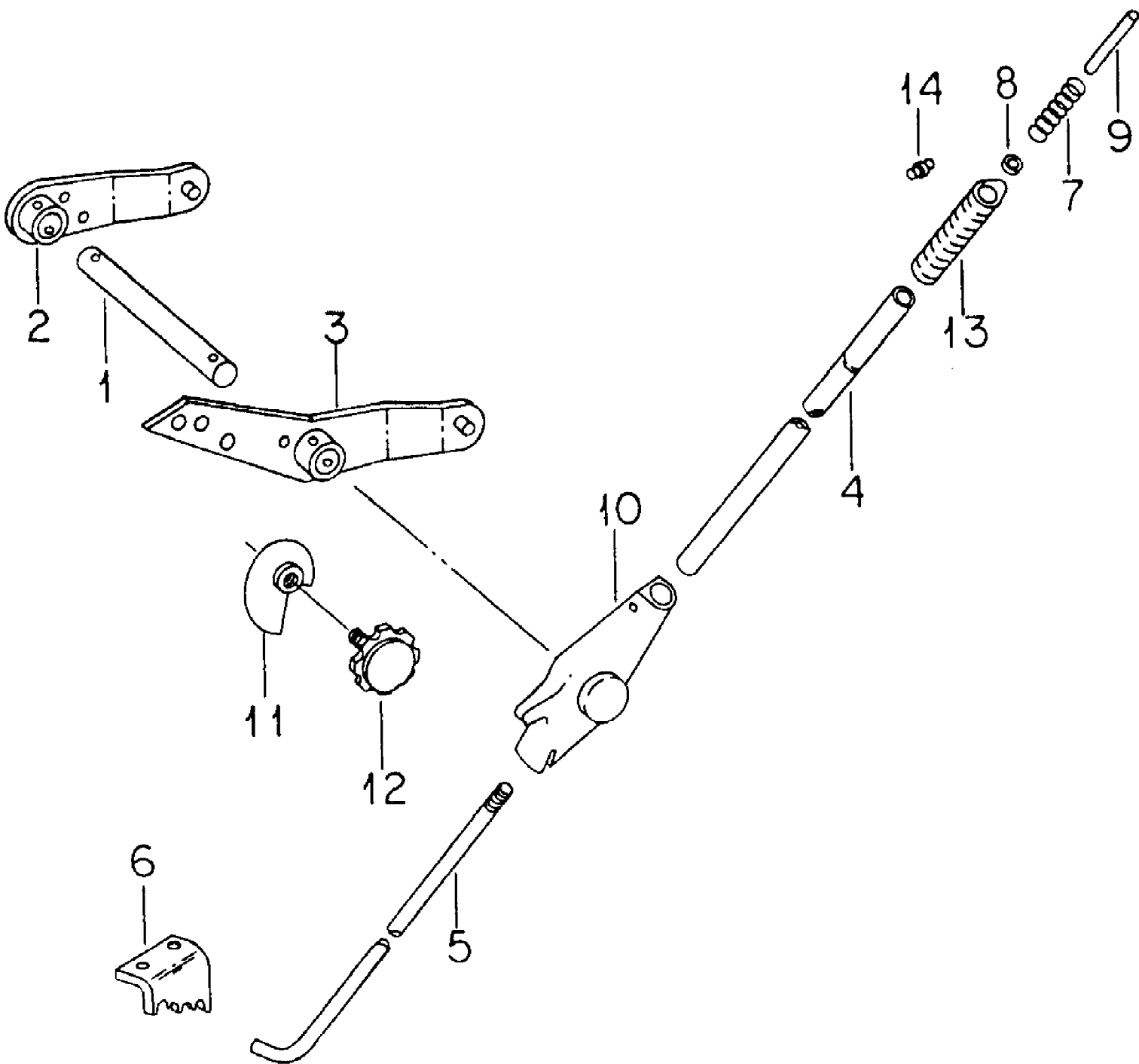


| Ref # | Part Number | Qty | S/P/F | Description |
|-------|---------------|-----|-------|-----------------------------------------------------------------------------------------|
| 1 | IH-545721-R3 | 1 | | Cable, Battery (Positive) |
| | 710-0451 | 1 | /P | Bolt, 5/16 X 3/4 Znd Sq Nk Crg |
| | 712-0267 | 1 | S | Nut, 5/16-18 Znd Hex |
| 2 | 725-3007 | 1 | S | Cover, Battery Terminal |
| 3 | 725-0978 | 1 | S | Cable, Battery Negative to Ground |
| | | 1 | | Bolt, 1/4 X 3/4 Znd Sq Nk Crg (Common Hardware, Purchase Locally) |
| | 712-3006 | 1 | /P | Nut, 1/4-20 Znd Hex |
| 4 | IH-117594-C3 | 1 | | Cable, Engine to Ground |
| 5 | 725-3011 | 1 | S | Holder, Fuse |
| | IH-356445-R91 | 1 | /P | Knob, Fuse Holder |
| 6 | 725-3012 | 1 | S | Fuse, 10 Amp |
| 7 | 726-3011 | 2 | | Strap, Cable Lock |
| 8 | IH-106267-C1 | 1 | S | Cable, Key Switch |
| 9 | IH-106268-C3 | 1 | | Cable, Magnetic Switch to Cranking Motor |
| 10 | ~NLA | 2 | | Clip, Cable (Steering) |
| 11 | | 1 | | Starter Motor Assy (For components see starter motor) |
| | 712-0237 | 1 | S | Nut, 5/16-24 Hex Lock |
| 12 | IH-106715-C1 | 1 | | Cable Assy, Clutch Switch |
| 13 | ~NLA | 1 | | Cable, Magnetic Switch to Neutral Starting Switch |
| 14 | 725-3001 | 1 | S | Switch, Magnetic |
| | 712-0267 | 2 | S | Nut, 5/16-18 Znd Hex |
| | 712-0349 | 1 | /P | Nut, 10-32 Znd Hex |
| | | 2 | | Nut, 1/4-20 Hex (Common Hardware, Purchase Locally) |
| 15 | 725-3060 | 1 | S/F | Switch, Neutral Start (Serial No. 539772 & below) |
| | 725-3038 | 1 | S | Switch, Neutral Start (Serial No. 539773 to 540114) |
| 16 | IH-61524-C2 | 1 | S | Switch, Battery Ignition Key Start |
| | 736-0156 | 1 | /P | Washer, .656 X 1.00 X .105 Flat Znd |
| 17 | 712-3013 | 1 | /P | Nut, Battery Ignition Switch |
| 18 | 725-3022 | 1 | S | Switch, PTO |
| | IH-25846-R1 | 1 | | Washer, .875 X .469 X .063 |
| | IH-138549 | 1 | | Washer, .512 X .867 Int Tooth Lock |
| 19 | 712-3014 | 1 | /P | Nut, Switch |
| 20 | 725-3023 | 1 | S | Indicator, Charge |
| 21 | IH-106382-C91 | 1 | /P | Timer, Maintenance Minder |
| 22 | IH-PRLU | 1 | S | Battery, IH Low-Maintenance, 12 Volt |
| 23 | | 1 | | Not used in this application |
| 24 | 725-0201 | 1 | S | Key, Battery Ignition Switch |
| 25 | KH-25-755-03 | 1 | /P | Regulator |
| | | 2 | | Washer w/Spring Lock Washer, 1/4-20 X 1 Hex Hd Mach (Common Hardware, Purchase Locally) |
| 26 | KH-48-155-02 | 1 | | Connector |

1250
Ignition & Starting

Page 60 of 102

| Ref # | Part Number | Qty | S/P/F | Description |
|-------|---------------|-----|-------|--------------------------------------------------------------------------|
| | | 4 | | Washer, No. 10 Int Tooth Znd Lock (Common Hardware, Purchase Locally) |
| | IH-27095-R1 | 4 | | Screw, 10-24 X 1 Znd Pan Hd Mach |
| 27 | ~NLA | 1 | | Clip, High Tension |
| | KH-47-154-01 | 1 | S | Clip, Cable |
| | 736-0463 | 1 | S | Washer, .281 X .625 X .051 Znd |
| | KH-X-67-59 | 1 | | Screw, 8-32 X .38 Znd Hex Washer Hd |
| 28 | KH-236602 | 1 | S | Connector |
| 29 | 726-3013 | 3 | | Clip, Battery Cable |
| | KH-LH14099514 | 1 | F | Cable, Key Switch |
| | IH-126061-C1 | 1 | F | Cable, Key Switch |
| | IH-549293-R1 | 2 | | Grommet, Frame Edge |



1250

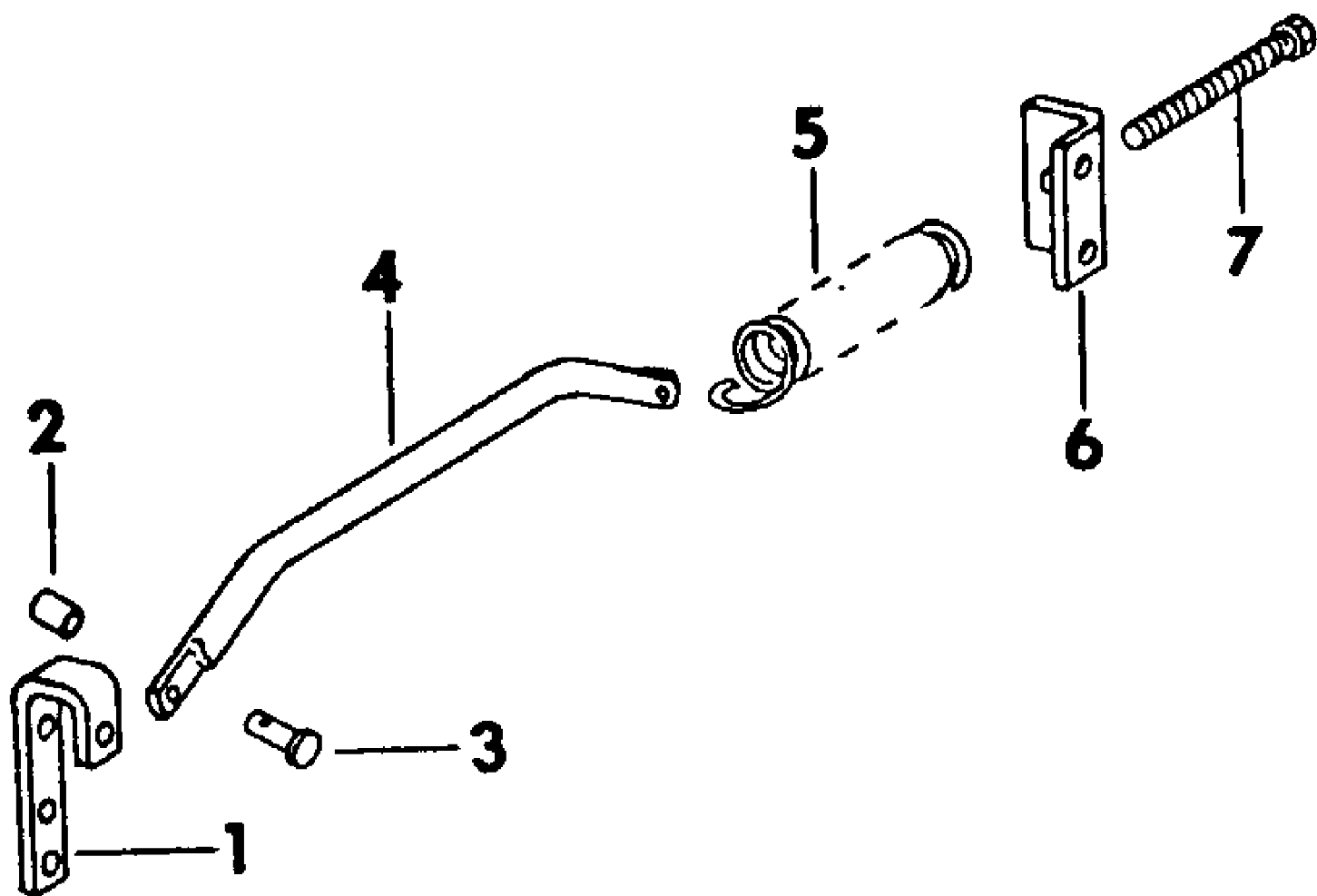
Page 62 of 102

Implement Handle & Connections

| Ref # | Part Number | Qty | S/P/F | Description |
|-------|--------------|-----|-------|------------------------------------|
| 1 | IH-544194-R1 | 1 | | Rockshaft |
| 2 | IH-544195-R1 | 1 | | Arm Assy, Lift LH |
| | 715-3002 | 1 | S | Pin, 5/16 X 1-1/2 Coiled Spring |
| 3 | IH-545627-R1 | 1 | | Arm Assy, Lift RH |
| | 715-3002 | 1 | S | Pin, 5/16 X 1-1/2 Coiled Spring |
| 4 | IH-544208-R1 | 1 | | Handle, Lift |
| 5 | IH-106336-C1 | 1 | | Rod Assy, Handle Release |
| 6 | IH-61347-C1 | 1 | | Ratchet, Lift Handle |
| | IH-21622-R1 | 2 | | Nut, 3/8-16 Znd Nylon Insert Lock |
| | 710-0514 | 2 | /P | Screw, 3/8-16 X 1 Znd Hex Hd Cap |
| 7 | 732-3005 | 1 | S | Spring, Rod Return |
| 8 | 736-3009 | 1 | /P | Retainer, Spring |
| 9 | IH-401456-R2 | 1 | | Pin, Release Rod |
| 10 | ~NLA | 1 | | Hub, Lift Handle |
| | IH-19689-R1 | 1 | S | Pin, 1/4 X 1-1/4 Coiled Spring |
| | IH-617942-R1 | 1 | | Pin, 5/16 X 2-1/4 Hv Coiled Spring |
| 11 | IH-544202-R2 | 1 | | Cam Assy, Lift Handle Stop |
| 12 | IH-544205-R1 | 1 | | Knob, Torque |
| | IH-178374-R1 | 1 | /P | Washer, 17/32 X 1-1/8 X 18 Ga C-Z |
| 13 | IH-401448-R1 | 1 | | Grip |
| 14 | IH-401449-R1 | 1 | | Lock Assy, Release Rod |

1250
Implement Handle Helper Spring

Page 63 of 102



1250

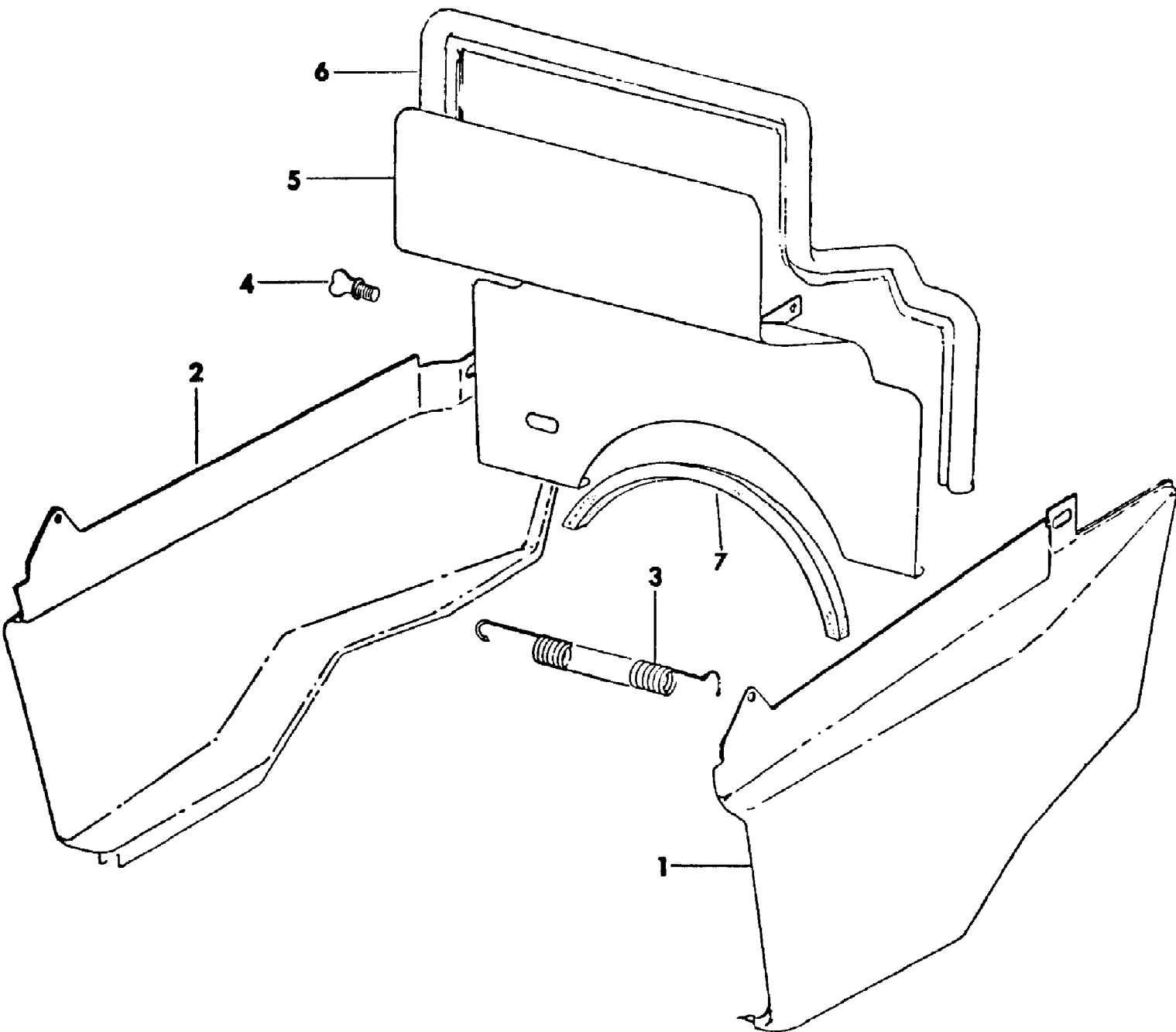
Page 64 of 102

Implement Handle Helper Spring

| Ref # | Part Number | Qty | S/P/F | Description |
|-------|---------------|-----|-------|-------------------------------------------------|
| | IH-548380-R92 | 1 | | Parts Accessory, Implement Handle Helper Spring |
| 1 | IH-548381-R1 | 1 | | Lever, Helper Spring |
| | 710-3038 | 2 | /P | Screw, 5/16-18 X 7/8 Znd Hex Hd Cap |
| | 712-0267 | 2 | S | Nut, 5/16-18 Znd Hex |
| 2 | IH-878986-R1 | 1 | | Spacer, 1/4 X 5/8 Std Pipe |
| 3 | IH-378484-R1 | 1 | | Pin, 5/16 X 1-7/8 Znd Std Hd |
| | 736-0160 | 1 | S | Washer, 17/32 X 1 X 16 Ga C-Z |
| | 714-0474 | 1 | S | Pin, 1/8 X 5/8 C-Z Cot |
| 4 | IH-548382-R1 | 1 | | Rod, Helper Spring |
| 5 | IH-485298-R1 | 1 | | Spring, Tension |
| 6 | IH-548383-R1 | 1 | | Bracket, Helper Spring |
| | 710-3000 | 2 | S | Screw, 3/8-16 X 3/4 Znd Hex Hd Cap |
| | 712-0798 | 2 | /P | Nut, 3/8-16 Znd Hex |
| 7 | IH-485351-R1 | 1 | | Bolt, Adjustment |

1250
Noise Isolation

Page 65 of 102

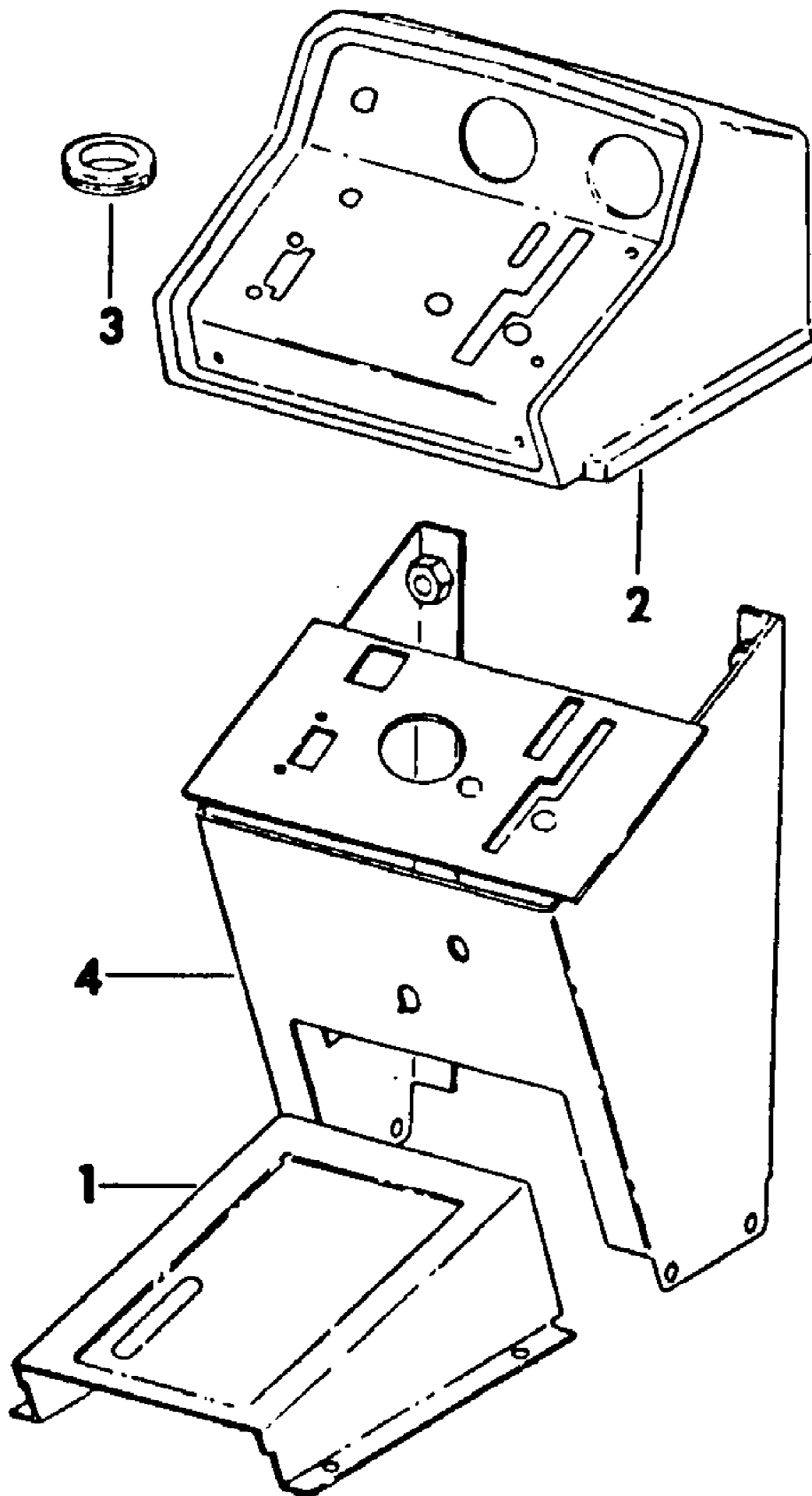


1250
Noise Isolation

Page 66 of 102

| Ref # | Part Number | Qty | S/P/F | Description |
|-------|---------------|-----|-------|---------------------------------------------------------------------------|
| 1 | ~NLA | 1 | | Panel, LH Side |
| 2 | ~NLA | 1 | | Panel, RH Side |
| 3 | IH-106260-C1 | 1 | S | Spring, Front |
| 4 | IH-62372-C1 | 2 | S | Screw, Thumb |
| | IH-62373-C1 | 2 | | Washer, Panel |
| 5 | IH-106501-C94 | 1 | | Deflector Assy, Heat |
| | | 4 | | Screw, 1/4-20 X 1/2 Znd Hex Hd Cap (Common Hardware, Purchase Locally) |
| | 712-3006 | 2 | /P | Nut, 1/4-20 Znd Hex |
| | 736-0463 | 2 | S | Washer, .281 X .625 X .051 |
| 6 | 723-3004 | 1 | /P | Seal, Heat Baffle |
| 7 | ~NLA | 1 | | Gasket, Foam |

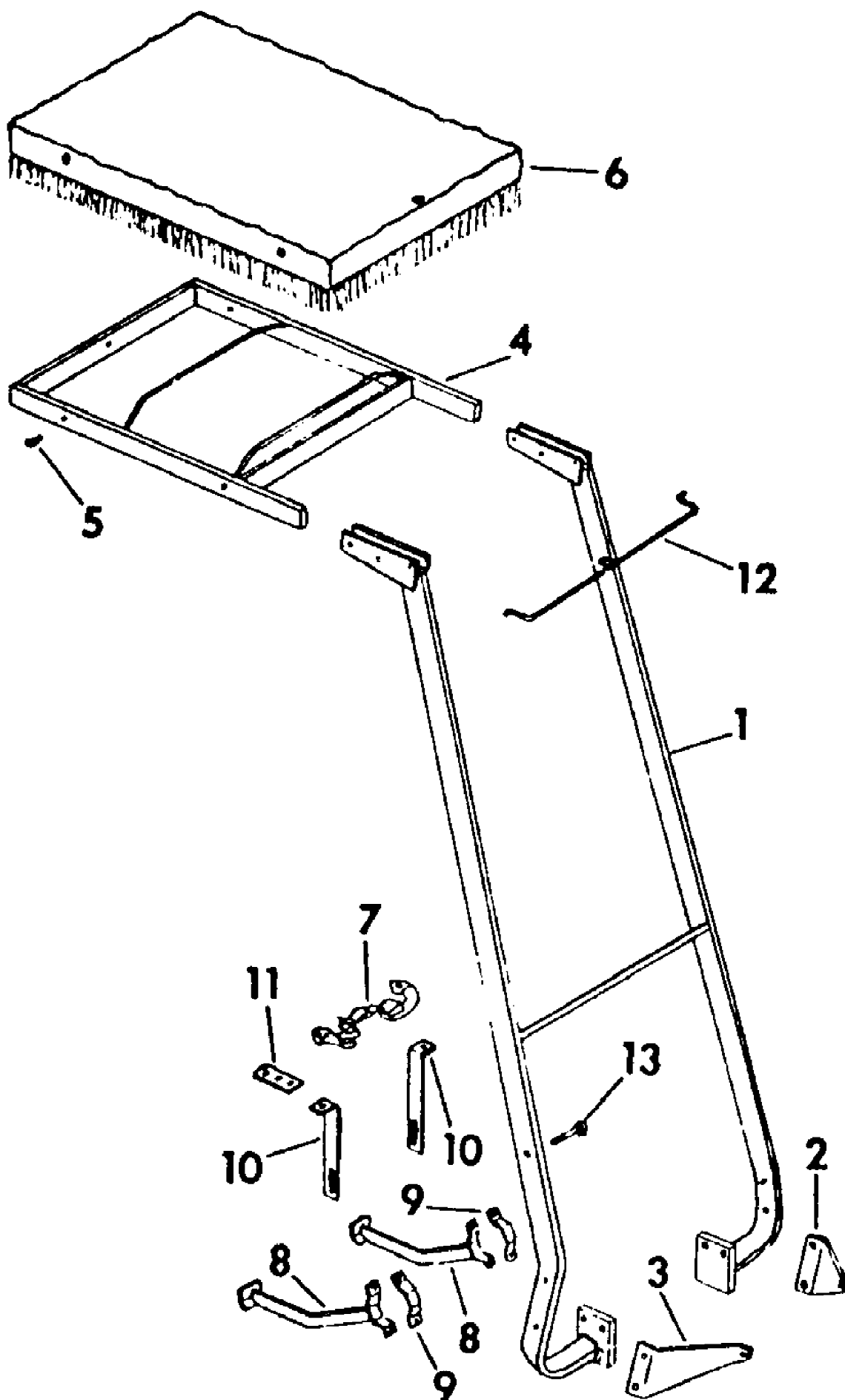
1250
Pedestal



1250
Pedestal

Page 68 of 102

| Ref # | Part Number | Qty | S/P/F | Description |
|-------|--------------|-----|-------|-------------------------------------------|
| 1 | IH-548639-R1 | 1 | | Cover w/Product Graphic |
| | 710-3007 | 4 | /P | Screw, 12-24 X 3/8 Znd Hex Hd Tap |
| 2 | IH-61293-C3 | 1 | | Cowl, Instrument Panel |
| | IH-159927 | 6 | | Screw, 10-24 X 1/2 Phc Cr Rec Pan Hd Mach |
| | BS-231082 | 2 | | Nut, 10-24 Znd Hex |
| 3 | IH-384908-R1 | 1 | | Grommet, Instrument Panel |
| 4 | IH-61518-C3 | 1 | | Pedestal Assy, Instrument Panel |
| | 710-3000 | 4 | S | Screw, 3/8-16 X 3/4 Znd Hex Hd Cap |
| | IH-138542 | 1 | | Washer, 3/8 Znd Int Tooth Lock |
| | 736-0169 | 3 | S | Washer, 3/8 Znd Reg Lock |
| | ~NLA | 1 | | Plug, 23/32 Znd Button |



1250
Protective Canopy

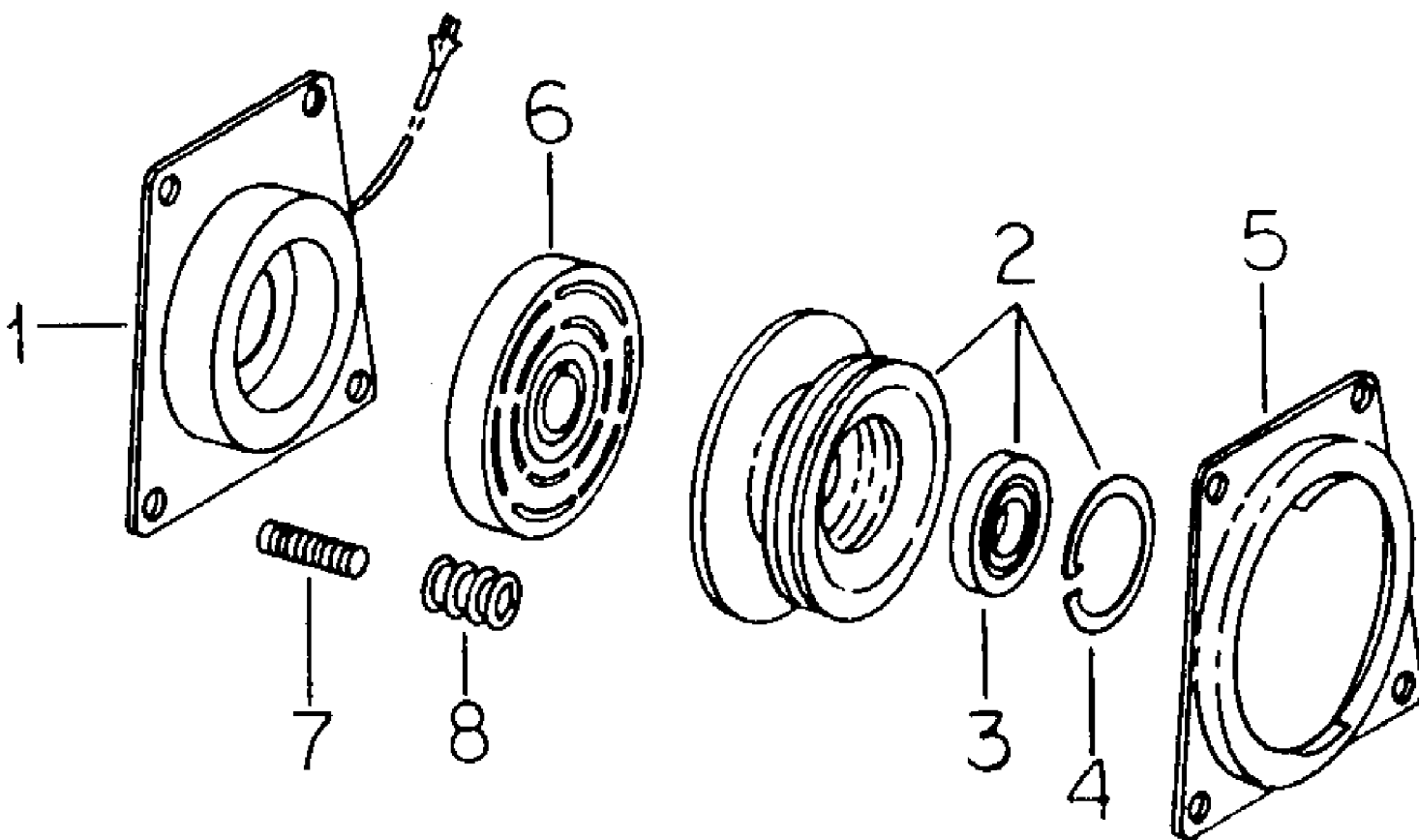
Page 70 of 102

| Ref # | Part Number | Qty | S/P/F | Description |
|-------|--------------|-----|-------|--------------------------------------------------------------------------|
| 1 | ~NLA | 1 | | Frame Assy, Lower |
| | 710-3011 | 4 | /P | Screw, 3/8-16 X 2-1/4 Znd Hex Hd Cap |
| | 710-3005 | 6 | /P | Screw, 3/8-16 X 1-1/4 Znd Hex Hd Cap |
| | 736-0169 | 10 | S | Washer, 3/8 Znd Med Lock |
| | 736-3063 | 6 | | Washer, 13/32 X 1 X 12 Ga |
| | 712-0798 | 10 | /P | Nut, 3/8-16 Znd Hex |
| 2 | ~NLA | 1 | | Bar, LH Frame Stiffener |
| | 710-3037 | 2 | S | Screw, 3/8-16 X 1-3/4 Znd Hex Hd Cap |
| | 736-0169 | 2 | S | Washer, 3/8 Znd Med Lock |
| | 736-0140 | 2 | S | Washer, 13/32 X 13/16 X .065 C-Z |
| | 712-0798 | 2 | /P | Nut, 3/8-16 Znd Hex |
| | IH-603046-R1 | 2 | | Spacer, 3/8 X 7/8 X-Strong Weight Pipe |
| | 710-3032 | 1 | /P | Screw, 1/2-13 X 1-1/4 Znd Hex Hd Cap |
| | 736-0921 | 1 | S | Washer, 1/2 Znd Med Lock |
| | 712-0206 | 1 | S | Nut, 1/2-13 Znd Hex |
| 3 | ~NLA | 1 | | Bar, RH Frame Stiffener |
| | 710-3037 | 2 | S | Screw, 3/8-16 X 1-3/4 Znd Hex Hd Cap |
| | 736-0169 | 2 | S | Washer, 3/8 Znd Med Lock |
| | 736-0140 | 2 | S | Washer, 13/32 X 13/16 X .065 C-Z |
| | 712-0798 | 2 | /P | Nut, 3/8-16 Znd Hex |
| | IH-603046-R1 | 2 | | Spacer, 3/8 X 7/8 X-Strong Weight Pipe |
| | 710-3032 | 1 | /P | Screw, 1/2-13 X 1-1/4 Znd Hex Hd Cap |
| | 736-0921 | 1 | S | Washer, 1/2 Znd Med Lock |
| | 712-0206 | 1 | S | Nut, 1/2-13 Znd Hex |
| 4 | IH-549232-R1 | 1 | | Frame Assy, Top |
| 5 | ~NLA | 6 | | Snap, Male |
| | IH-121841 | 6 | | Washer, No. 8 Znd Lt Lock |
| | 712-0142 | 6 | /P | Nut, 8-32 Znd Hex Mach Screw |
| 6 | ~NLA | 1 | | Top, Canopy |
| 7 | ~NLA | 1 | | Belt, Seat |
| | | 2 | | Bolt, 7/16-20 X 1.0 Cdp Hex Hd (Common Hardware, Purchase Locally) |
| | | 2 | | Washer, 7/16 Med Lock (Common Hardware, Purchase Locally) |
| | | 2 | | Nut, 7/16-20 Type 8 Hex (Common Hardware, Purchase Locally) |
| 8 | ~NLA | 2 | | Bracket Assy, Rear Axle |
| 9 | 703-0222 | 2 | | Flange, Caliper Mtg |
| | 710-3005 | 4 | /P | Screw, 3/8-16 X 1-1/4 Znd Hex Hd Cap |
| | 736-0169 | 4 | S | Washer, 3/8 Znd Med Lock |
| | 712-0798 | 1 | /P | Nut, 3/8-16 Znd Hex |
| 10 | ~NLA | 2 | | Bracket, Safety Belt |
| | 710-3005 | 2 | /P | Screw, 3/8-16 X 1-1/4 Znd Hex Hd Cap |
| | 736-0169 | 1 | S | Washer, 3/8 Znd Med Lock |
| | 736-0140 | 2 | S | Washer, 13/32 X 13/16 X .051 Znd |
| | 712-0798 | 2 | /P | Nut, 3/8-16 Znd Hex |
| 11 | ~NLA | 1 | | Bar, Hitch |
| | | 1 | | Screw, 5/8-11 X 1-1/4 Znd Hex Hd Cap (Common Hardware, Purchase Locally) |
| | 736-0158 | 1 | S | Washer, 5/8 Znd Med Lock |

1250
Protective Canopy

| Ref # | Part Number | Qty | S/P/F | Description |
|-------|-------------|-----|-------|---------------------------------------------------------|
| | | 1 | | Nut, 5/8-11 Znd Hex (Common Hardware, Purchase Locally) |
| | 710-0514 | 1 | /P | Screw, 3/8-16 X 1 Znd Hex Hd Cap |
| | 736-0169 | 1 | S | Washer, 3/8 Znd Lock |
| | 712-0798 | 1 | /P | Nut, 3/8-16 Znd Hex |
| 12 | ~NLA | 1 | | Rod Assy, Canopy Pivot |
| 13 | ~NLA | 1 | | Eyebolt |
| | IH-124824 | 2 | | Nut, 5/16-18 Hex Jam |

1250
PTO Clutch-Ogura Clutch (silver In Color)



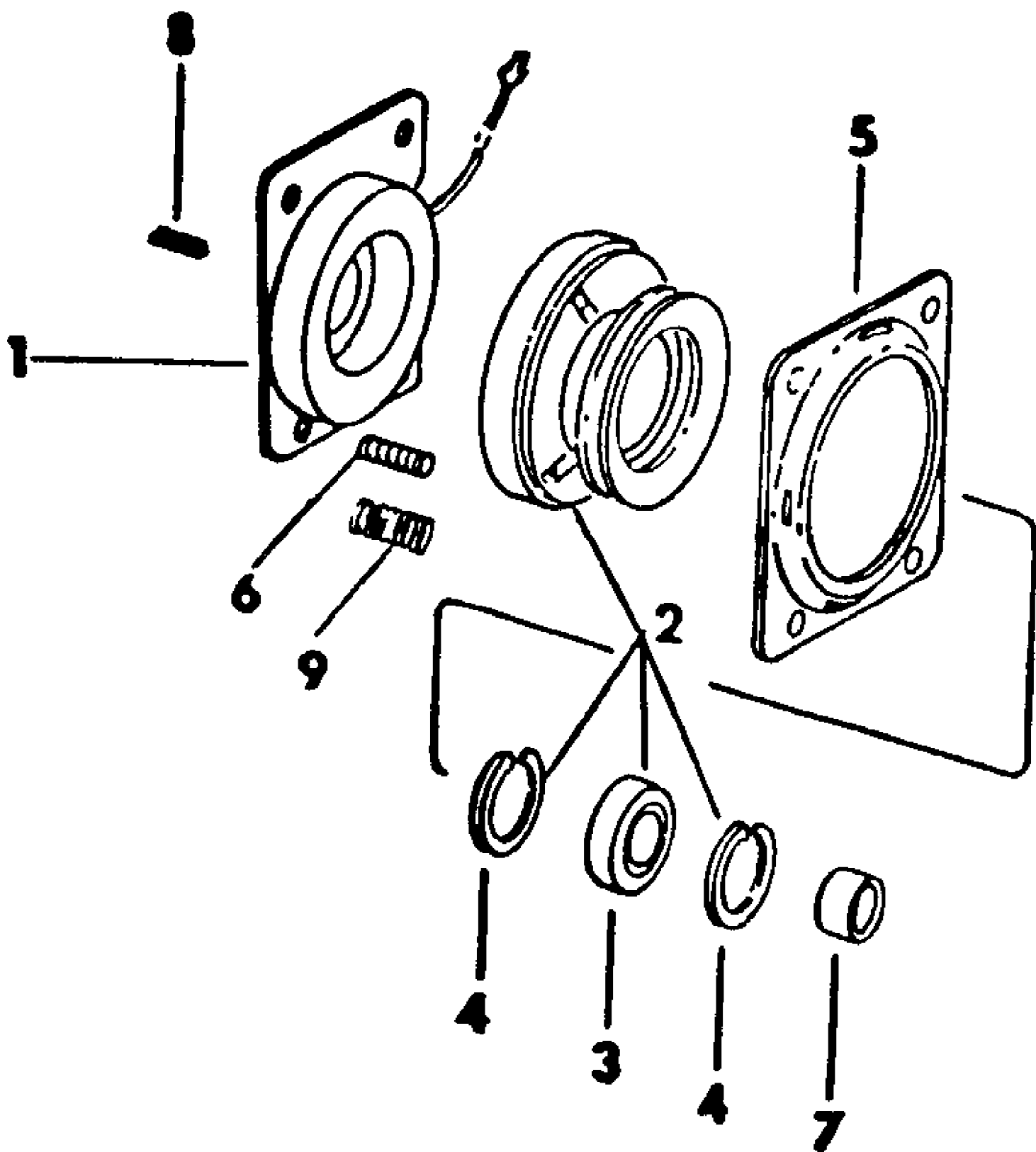
1250

Page 73 of 102

PTO Clutch-Ogura Clutch (silver In Color)

| Ref # | Part Number | Qty | S/P/F | Description |
|-------|---------------|-----|-------|--------------------------------------------------------|
| 1 | ~NLA | 1 | | Plate Assy (Order complete Warner clutch kit 759-3664) |
| 2 | IH-126459-C1 | 1 | | Armature & Pulley Assy |
| 3 | IH-453879-R91 | 1 | S | Bearing, Ball |
| 4 | IH-641207-R1 | 1 | | Ring, Retaining |
| 5 | IH-126460-C1 | 1 | | Cover, Brake |
| 6 | IH-126461-C1 | 1 | | Rotor |
| 7 | IH-61616-C1 | 1 | | Stud, Package (Consists of 4 studs) |
| 8 | 759-3306 | 1 | /P | Kit, Spring (Consists of 4 springs) |
| | 712-0214 | 4 | S | Nut, 3/8-24 Hex Lock |
| | 759-3664 | 1 | | Kit, PTO Clutch w/Spacer |
| | IH-61313-C92 | 1 | S | Clutch Assy, PTO |
| | IH-106565-C1 | 1 | S | Spacer, Crankshaft |

1250
PTO Clutch-Warner Clutch (black In Color)



1250

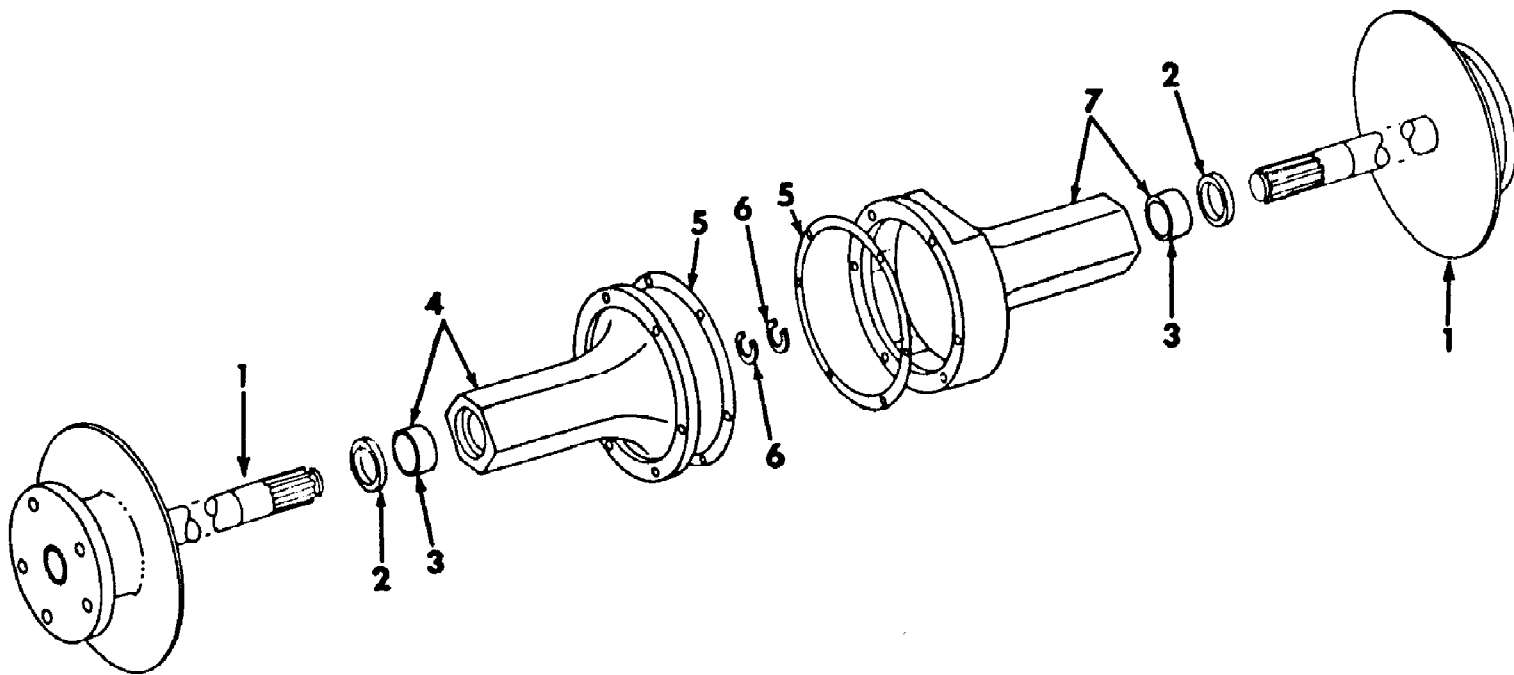
Page 75 of 102

PTO Clutch-Warner Clutch (black In Color)

| Ref # | Part Number | Qty | S/P/F | Description |
|-------|---------------|-----|-------|------------------------------------------------------------------------------|
| | IH-61313-C92 | 1 | S | Clutch Assy PTO (Composed of Ref No. 1 through 6) |
| 1 | IH-117600-C1 | 1 | S | Field Assy Package |
| 2 | IH-61612-C91 | 1 | | Rotor & Armature Package |
| 3 | IH-453879-R91 | 1 | S | Bearing, Ball |
| 4 | ~NLA | 1 | | Kit, Retaining Ring (Consists of 10 rings) |
| 5 | IH-61615-C1 | 1 | | Drum, Brake Package |
| 6 | IH-61616-C1 | 1 | | Stud, Package (Consists of 4 studs) |
| 7 | IH-106565-C1 | 1 | S | Spacer, Crankshaft |
| | | 1 | | Screw, 7/16-20 X 1-1/4 Znd Hex Hd Cap (Common Hardware, Purchase Locally) |
| | 736-3030 | 2 | /P | Washer, .469 X 1.469 X .100 Znd |
| | IH-25846-R1 | 4 | | Washer, .469 X .922 X .065 |
| 8 | 714-0119 | 1 | S | Key, 1/4 X 5/8 Sq Parallel |
| 9 | 759-3306 | 1 | /P | Kit, Spring (Consists of 4 springs) |
| | 712-0214 | 4 | S | Nut, 3/8-24 UNF-28 Hex Lock |
| | IH-117415-C1 | 1 | | Package, Shim (Consists of 4 shims) |

1250
Rear Axle

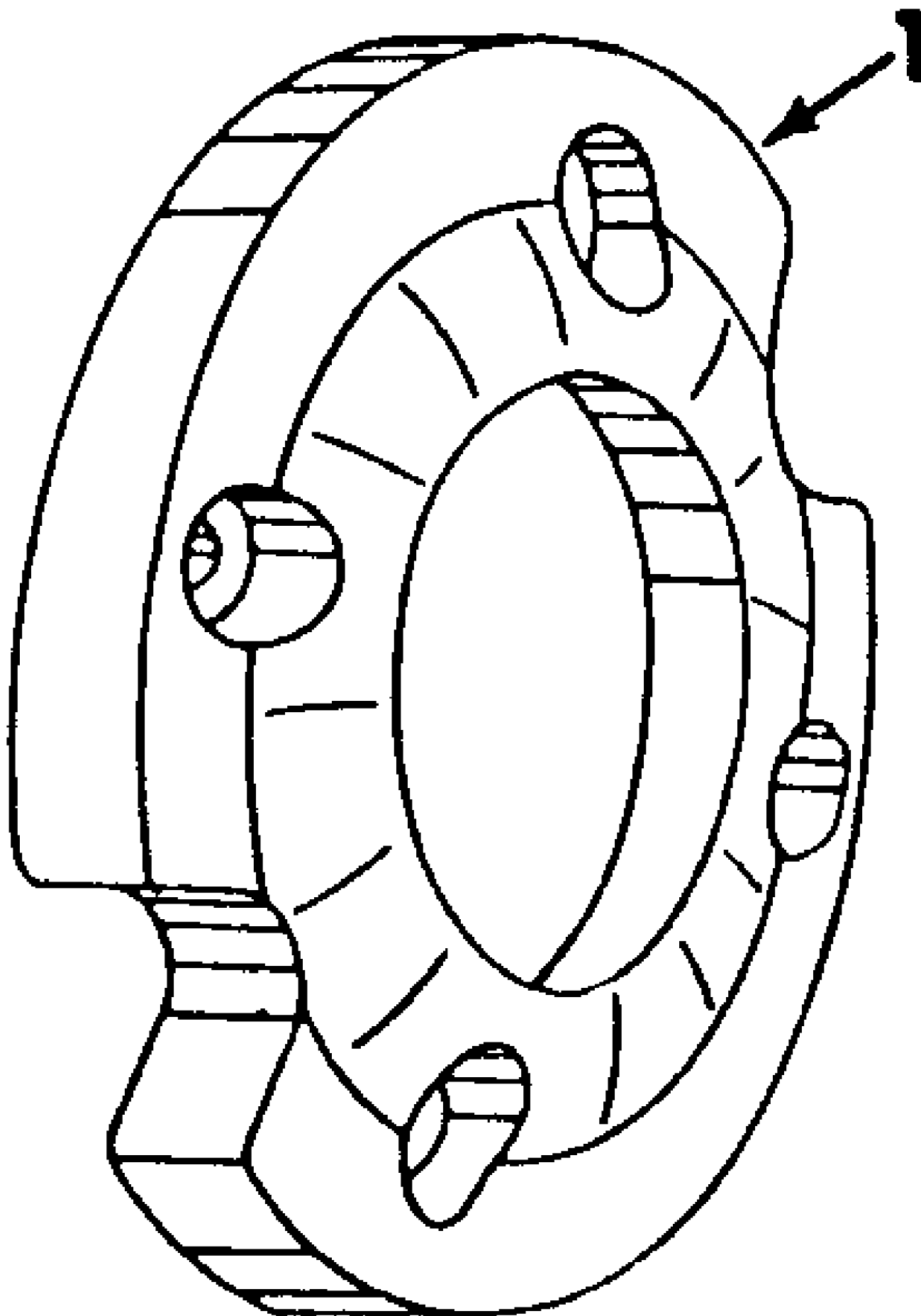
Page 76 of 102



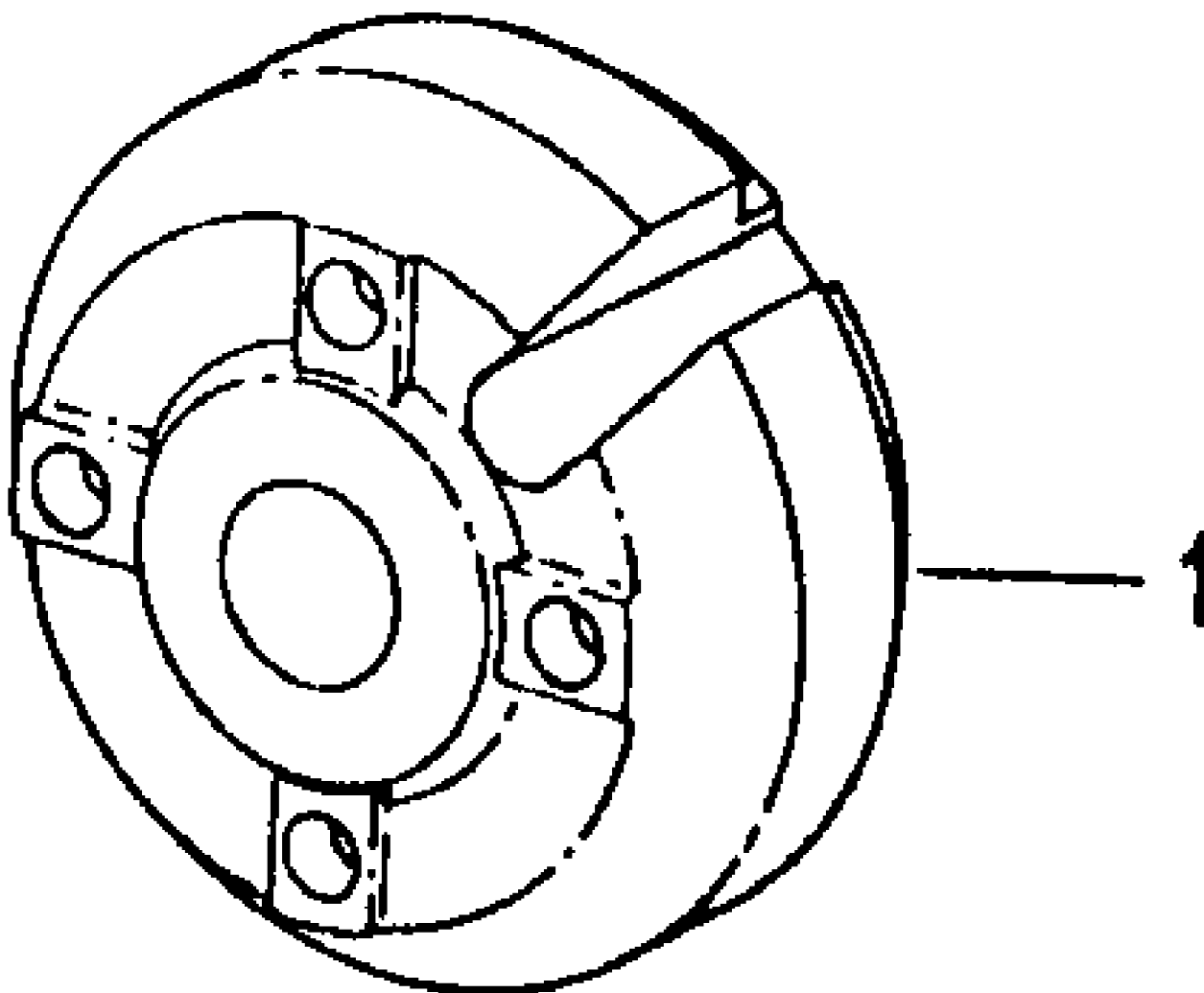
1250
Rear Axle

Page 77 of 102

| Ref # | Part Number | Qty | S/P/F | Description |
|-------|---------------|-----|-------|----------------------------------------------------------------------|
| 1 | IH-531180-R2 | 2 | /P | Axle Assy, Rear (Tractors w/caliper brakes) |
| | IH-531179-R1 | 2 | | Axle Assy, Rear (Tractors w/internal wet brakes) |
| 2 | 721-0187 | 2 | S | Seal, Oil |
| 3 | 741-0363 | 2 | S | Bearing, Needle |
| 4 | IH-397322-R11 | 1 | | Carrier Assy, Rear Axle LH |
| | IH-24840-R1 | 4 | | Screw, 3/8-16 X 1 Hex Hd Cap |
| | | 2 | | Screw, 3/8-16 X 1-1/4 Hex Hd Cap (Common Hardware, Purchase Locally) |
| 5 | 721-3014 | 2 | /P | Gasket, Carrier |
| 6 | IH-378066-R1 | 2 | | Ring, Retaining |
| 7 | 703-0906 | 1 | /P | Carrier Assy, Rear Axle RH |
| | 710-3011 | 4 | /P | Screw, 3/8-16 X 2-1/4 Hex Hd Cap |
| | IH-21318-R1 | 2 | | Screw, 3/8-16 X 2-1/2 Hex Hd Cap |



| Ref # | Part Number | Qty | S/P/F | Description |
|-------|-------------|-----|-------|-----------------------------------------------------------------------------------------------------|
| 1 | ~NLA | 2 | F | Weight, Rear Wheel (Approx 26 lbs) |
| | | 4 | | Bolt, 1/2 X 5-3/4 Sq Nk Crg (Common Hardware, Purchase Locally) (For use with w/12 X 8-1/2 rim) |
| | | 4 | | Bolt, 1/2 X 3-1/2 Znd Sq Nk Crg (Common Hardware, Purchase Locally) (For use with w/12 X 5JA rim) |
| | | 4 | | Bolt, 1/2 X 5-1/4 Znd Sq Nk Crg (Common Hardware, Purchase Locally) (For use with w/12 X 7JA rim) |
| | 736-0921 | 4 | S | Washer, 1/2 C-Z Reg Lock |
| | 712-0206 | 4 | S | Nut, 1/2-13 Znd Hex |
| | ~NLA | 2 | F | Weight, Rear Wheel (Approx 26 lbs) |
| | | 4 | | Bolt, 1/2 X 7-1/2 Znd Sq Nk Crg (Common Hardware, Purchase Locally) (For use with w/12 X 8-1/2 rim) |
| | | 4 | | Bolt, 1/2 X 5-1/4 Znd Sq Nk Crg (Common Hardware, Purchase Locally) (For use with w/12 X 5JA rim) |
| | | 4 | | Bolt, 1/2 X 7 Znd Sq Nk Crg (Common Hardware, Purchase Locally) (For use with w/12 X 7JA rim) |
| | 736-0921 | 4 | S | Washer, 1/2 C-Z Reg Lock |
| | 712-0206 | 4 | S | Nut, 1/2-13 Znd Hex |



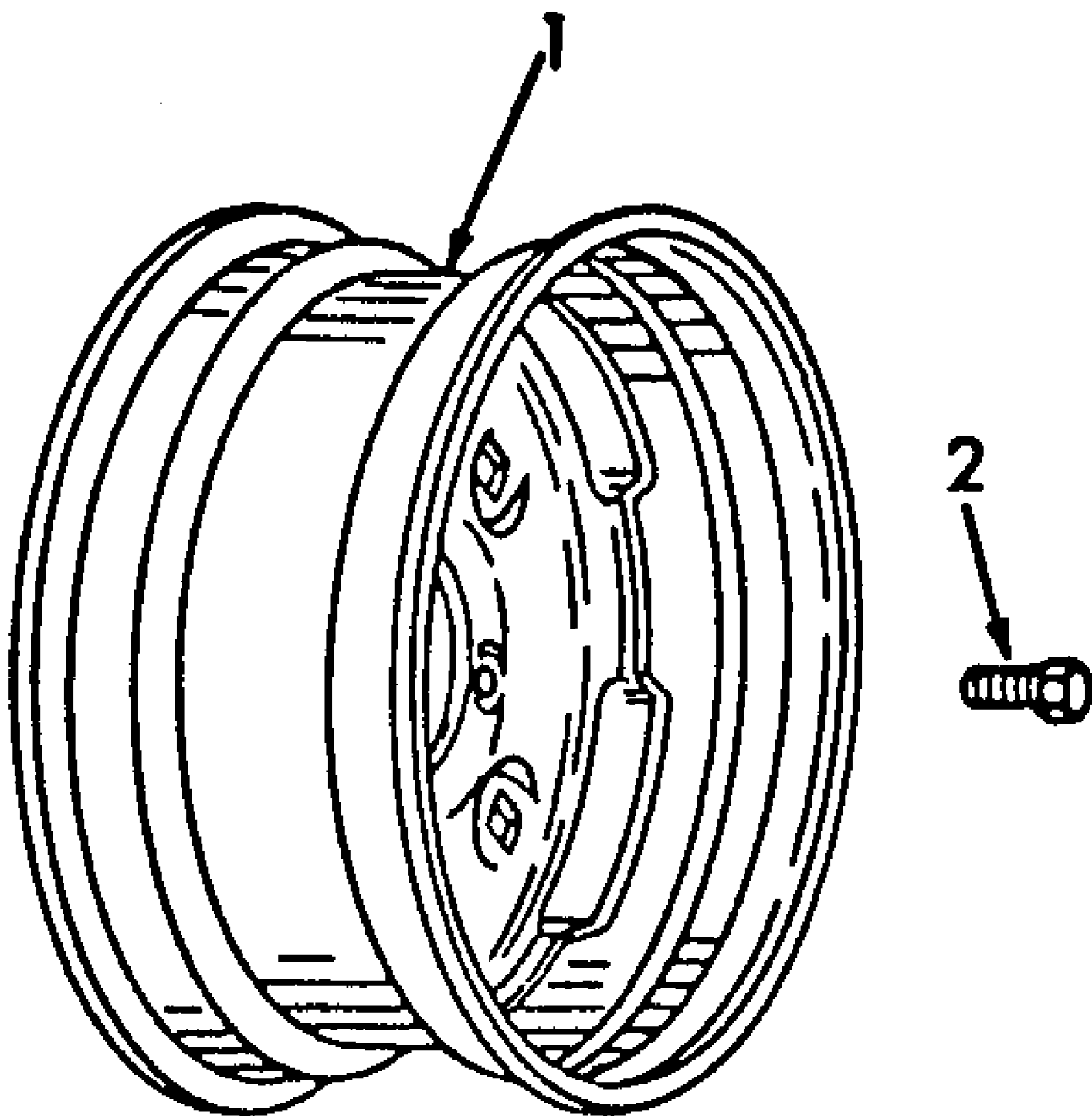
1250

Page 81 of 102

Rear Wheel Weights Part 2

| Ref # | Part Number | Qty | S/P/F | Description |
|-------|-------------|-----|-------|------------------------------------|
| 1 | 703-0396 | 2 | | Weight, Rear Wheel (Approx 75 lbs) |
| | 712-0206 | 12 | S | Nut, 1/2 Type 5 |
| | 736-0921 | 8 | S | Washer, 1/2 Lock |
| | 736-0272 | 4 | S | Washer, .531 X 1.062 X .074 |

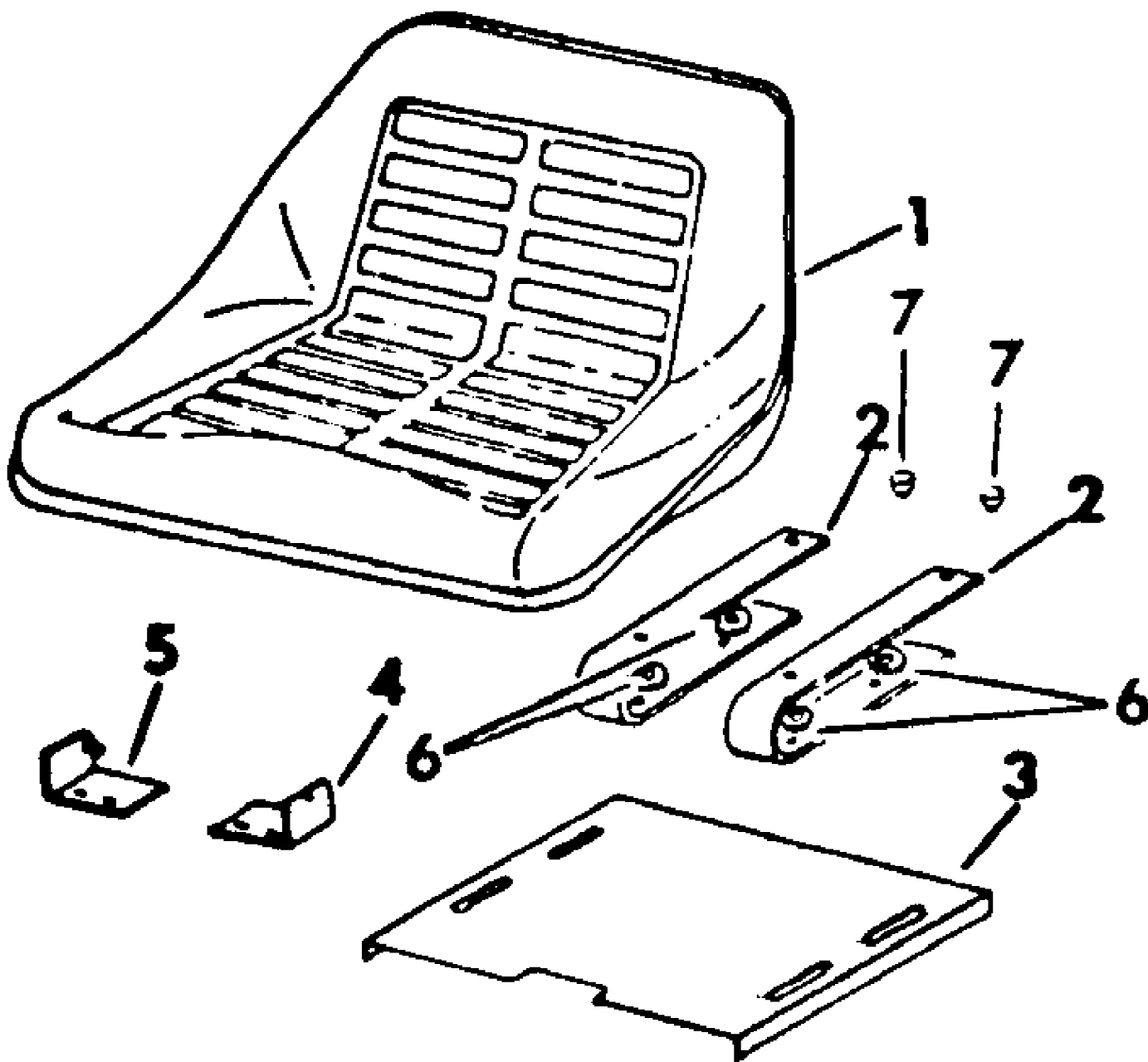
1250
Rear Wheels



1250
Rear Wheels

Page 83 of 102

| Ref # | Part Number | Qty | S/P/F | Description |
|-------|--------------|-----|-------|------------------------------------------------------------|
| 1 | IH-544007-R1 | 2 | S | Wheel Assy, Rear w/5JA-12 Rim for 6.00-12 Tires |
| | 734-3004 | 2 | | Wheel Assy, Rear w/7JA-12 Rim for 23 X 8.50-12 Tires |
| | 734-3013 | 2 | S | Wheel Assy, Rear w/8-1/2 JA-12 Rim for 23 X 10.50-12 Tires |
| 2 | 710-3027 | 10 | /P | Bolt, Rear Wheel |
| | 734-0255 | 2 | S | Valve, TR-413 Tubeless Type |



1250
Seat & Support

Page 85 of 102

| Ref # | Part Number | Qty | S/P/F | Description |
|-------|--------------|-----|-------|----------------------------------------------|
| 1 | 759-3148 | 1 | /P | Seat Assy |
| 2 | 703-0068 | 2 | /P | Spring, Seat |
| | 710-0118 | 4 | S | Screw, 5/16-18 X 3/4 Znd Hex Hd Cap |
| 3 | 759-3065 | 1 | | Cover w/Product Graphic 779-3296 Dual Spring |
| | 710-0376 | 4 | /P | Screw, 5/16-18 X 1 Znd Hex Hd Cap |
| | 736-3008 | 4 | S | Washer, 11/32 X 3/4 X 11 Ga Znd |
| | 712-0267 | 4 | S | Nut, 5/16-18 Znd Hex |
| 4 | 703-0070 | 1 | | Bracket Assy, Pivot LH |
| | 710-3000 | 2 | S | Bolt, 3/8 X 3/4 Type 5 |
| | 736-0169 | 2 | S | Washer, 3/8 Znd Reg Lock |
| 5 | 703-0072 | 1 | | Bracket Assy, Pivot RH |
| | 710-3000 | 2 | S | Bolt, 3/8 X 3/4 Type 5 |
| | 736-0169 | 2 | S | Washer, 3/8 Znd Reg Lock |
| 6 | 736-3070 | 4 | /P | Washer, 11/32 X 1-1/2 X 11 Ga Znd |
| 7 | IH-128509-H1 | 2 | | Bumper, Seat Support |

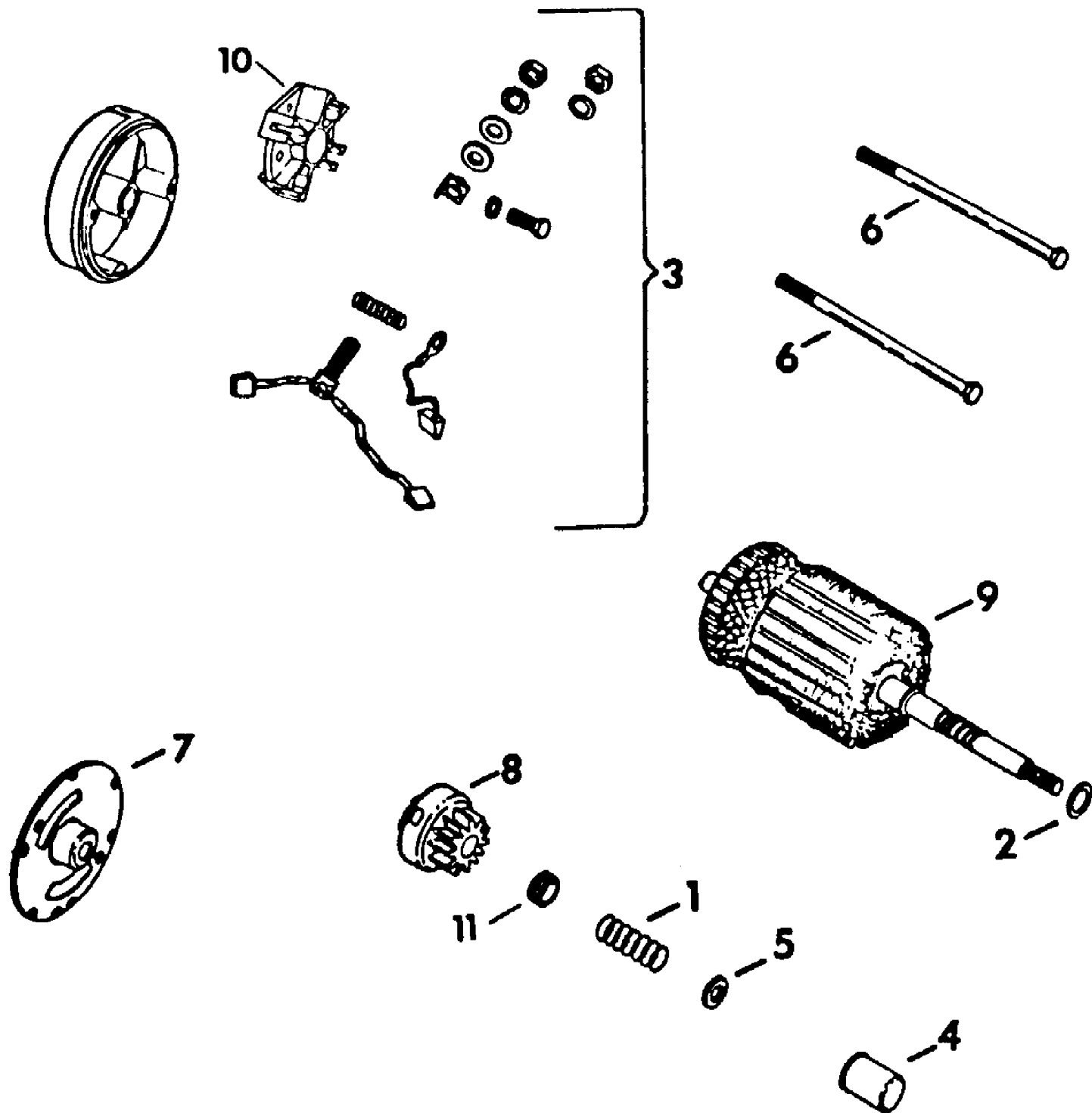
SERVICE ENGINES

| | | | |
|---|--------------|-----------------------------------------------------------|---|
| 1 | KH-PA-47622 | Engine Assembly, Kohler K301AQS, 12 HP | 1 |
| | IH-26310-R1 | Bolt, 3/8 X 1 Phc P/T Type 8 | 4 |
| | 736-0140 | Washer, .406 X .812 X .051 | 2 |
| 2 | KH-77-522-13 | Engine Assembly, Short Block, Kohler 4752230, 12 HP | 1 |

1250
Service Engines

| Ref # | Part Number | Qty | S/P/F | Description |
|-------|--------------|-----|-------|--------------------------------------------------------|
| 1 | KH-PA-47622 | 1 | /P | Engine Assembly, Kohler K301AQS, 12 HP |
| | IH-26310-R1 | 4 | | Bolt, 3/8 X 1 Phc P/T Type 8 |
| | 736-0140 | 2 | S | Washer, .406 x .812 x .051 |
| 2 | KH-77-522-13 | 1 | /P | Engine Assembly, Short Block, Kohler 4752230, 12 HP |

1250
Starter Motor

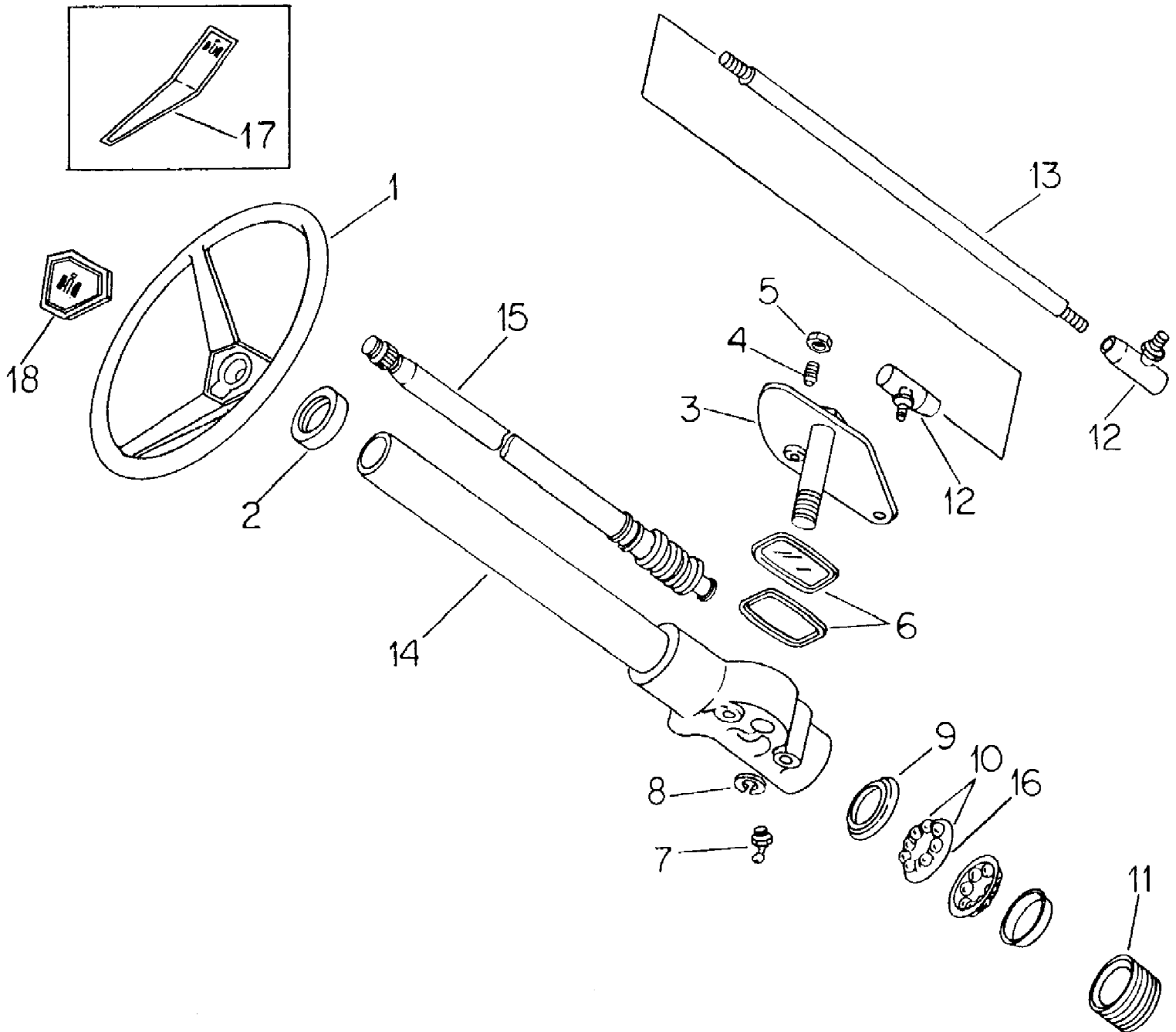


1250
Starter Motor

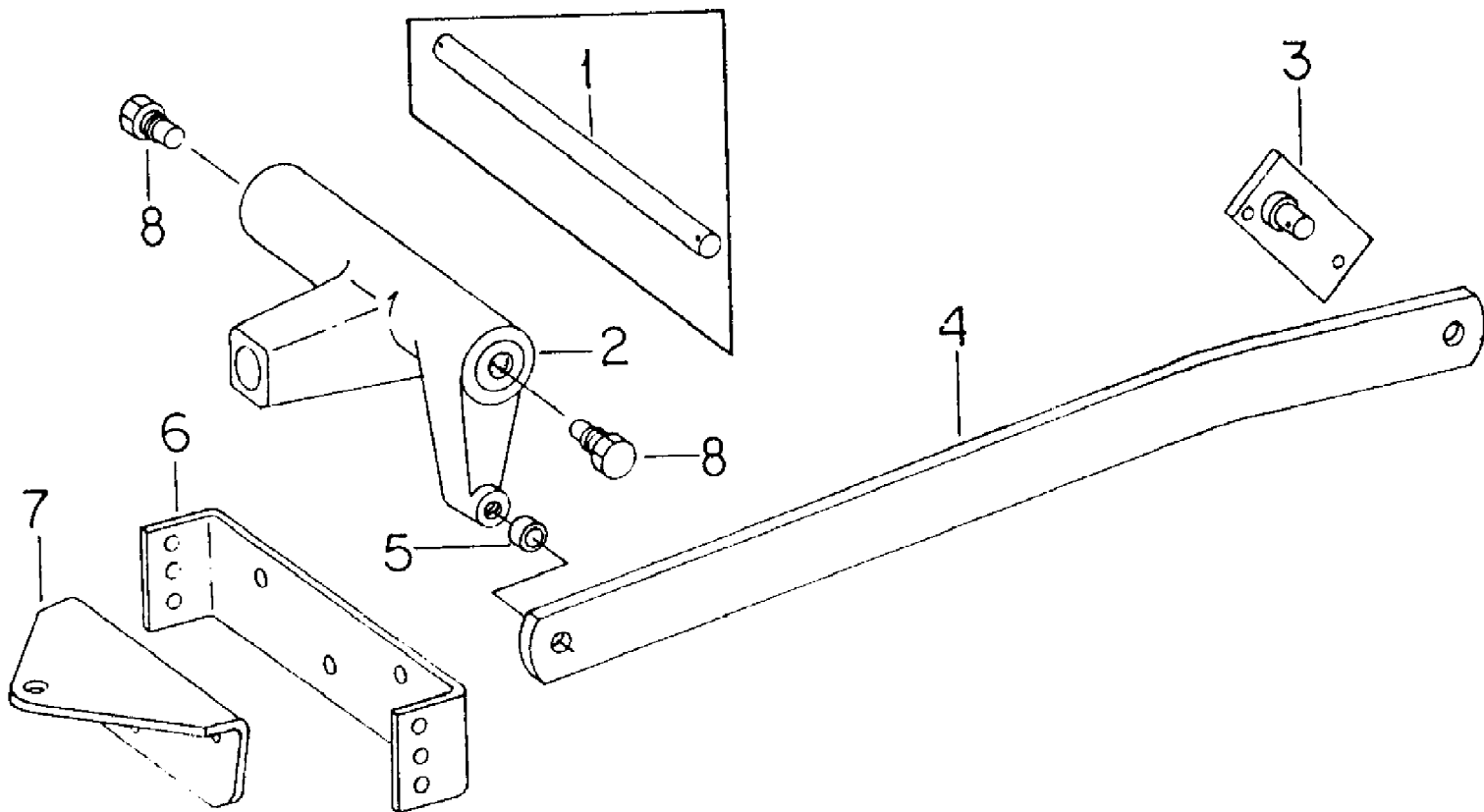
Page 89 of 102

| Ref # | Part Number | Qty | S/P/F | Description |
|-------|---------------|-----|-------|---------------------------------------------------------------------|
| | IH-117167-C92 | 1 | S/F | Starter Assy (American Bosch SMH12A201) |
| | IH-117167-C93 | 1 | F | Starter Assy (American Bosch 12507-29-M030SM) |
| | IH-117167-C94 | 1 | S/F | Starter Assy (American Bosch 14925-27-M030SM) |
| 1 | KH-45-089-03 | 1 | | Spring, Anti-Drift |
| 2 | KH-47-468-02 | 1 | | Washer, Armature Thrust |
| 3 | KH-48-227-04 | 1 | | Cap Assy, Commutator End |
| 4 | KH-237643 | 1 | | Cover, Dust |
| 5 | KH-237645 | 1 | | Spacer, Stop Gear |
| 6 | IH-117187-C1 | 2 | | Bolt, Thru |
| 7 | KH-237650 | 1 | S | Cap Assy, Drive End |
| 8 | IH-117189-C3 | 1 | S/F | Kit, Drive (Used w/IH-117167-C91 & IH-117167-C92) |
| | KH-47-749-02 | 1 | S | Kit, Drive (Used w/IH-117167-C93, IH-117167-C94, & KH-45-098-06) |
| 9 | IH-117190-C2 | 1 | F | Armature Assy (Used w/IH-117167-C91 & IH-117167-C92) |
| | KH-45-170-02 | 1 | | Armature Assy (Used w/IH-117167-C93, IH-117167-C94, & KH-45-098-06) |
| 10 | ~NLA | 1 | | Holder, Brush |
| | ~NLA | 1 | | Washer, Spacing |
| | | 1 | | Washer, 1/4 Znd Spring Lock (Common Hardware, Purchase Locally) |
| | 712-3006 | 1 | /P | Nut, 1/4-20 Znd Hex |
| | ~NLA | 1 | | Bushing |
| | ~NLA | 1 | | Washer |
| 11 | | 1 | | Spacer (Order kit KH-47-755-13) |
| | KH-52-755-15 | 1 | S | Kit, Starter Brush Spring, Brush Brush Assy Brush & Screw Assy |
| | KH-47-755-13 | 1 | | Kit, Starter Drive Part Cover |
| | KH-237644 | 1 | | Nut, Stop Spacer Spring |
| | KH-237645 | 1 | | Stop, Gear Spacer |

1250
Steering Gear & Connections



| Ref # | Part Number | Qty | S/P/F | Description |
|-------|---------------|-----|-------|----------------------------------------------------------------------------|
| | IH-548085-R91 | 1 | S/F | Gear Assy, Steering (Serial No. 530857 & below) |
| | IH-400884-R91 | 1 | S/F | Gear Assy, Steering (Serial No. 530858 & above) |
| | 703-1085 | 1 | /P/F | Gear Assy, Steering (Marked CCC) |
| | 710-3001 | 2 | /P | Screw, Hex Cap, 3/8-16 X .88 Lg GR5 |
| | 736-0169 | 2 | S | Washer, Lock, 3/8 |
| 1 | 731-3000 | 1 | /P | Wheel, Steering (Replaces IH-545719-R1 steering wheel) |
| | 712-3056 | 1 | /P | Nut, 5/8-NF Jam Type 5 |
| 2 | 741-3000 | 1 | S | Bearing, Upper Column |
| | 723-3001 | 1 | S | Seal, Steering Gear |
| | | 2 | | Washer, 3/8 Med Lock (Common Hardware, Purchase Locally) |
| | 710-3001 | 2 | /P | Screw, 3/8-16 X 7/8 Hex Hd Cap |
| 3 | IH-385522-R1 | 1 | | Lever & Bolt Assy |
| | 712-3056 | 2 | /P | Nut, 5/8-NF Jam Type 5 |
| 4 | IH-62806-C1 | 1 | S | Stud, Cam Follower |
| 5 | IH-192510-R1 | 1 | S | Nut, Cam Follower Stud |
| 6 | IH-394936-R91 | 1 | | Package, Seal & Seal Retainer |
| 7 | IH-273360 | 1 | | Fitting, 1/4-65 Deg Angle Drive Lube |
| 8 | IH-308362-C1 | 1 | | Washer, Flat Cdp |
| 9 | 703-1029 | 2 | S | Cup, Bearing Ball |
| 10 | IH-389081-R91 | 2 | S | Bearing & Ball Assy |
| 11 | IH-394288-R1 | 1 | /P | Plug, Adjusting |
| | 714-3015 | 1 | | Pin, 1/8 X 1/2 Cot |
| 12 | 723-3000 | 2 | S | Joint Assy, Drag Link Ball |
| | 712-3002 | 2 | S | Nut, 3/8-24 C-Z Slit Hex |
| | 714-0507 | 2 | S | Pin, 3/32 X 3/4 C-Z Cot |
| 13 | 711-3000 | 1 | | Link, Drag |
| | 712-3001 | 2 | S | Nut, 3/8-24 Hex Jam |
| 14 | IH-548086-R1 | 1 | | Tube Assy, Housing & Jacket (For steering gear IH-548085-R91) |
| | IH-401277-R1 | 1 | | Tube Assy, Housing & Jacket (For steering gear IH-400884-R91) |
| 15 | IH-548087-R1 | 1 | S | Cam & Tube Assy (For steering gear IH-548085-R91) |
| | IH-385984-R91 | 1 | S | Cam & Tube Assy (For steering gear IH-400884-R91) |
| 16 | IH-389081-R91 | 1 | S | Retainer, Ball |
| 17 | IH-546708-R2 | 1 | | Product Graphic, Steering Wheel Insert (Use w/IH-545719-R1 steering wheel) |
| 18 | 731-3001 | 1 | /P | Cap, Steering Wheel |
| | 721-3000 | 1 | /P | O-Ring, 1-3/4 X 2.028 X 1/8 |



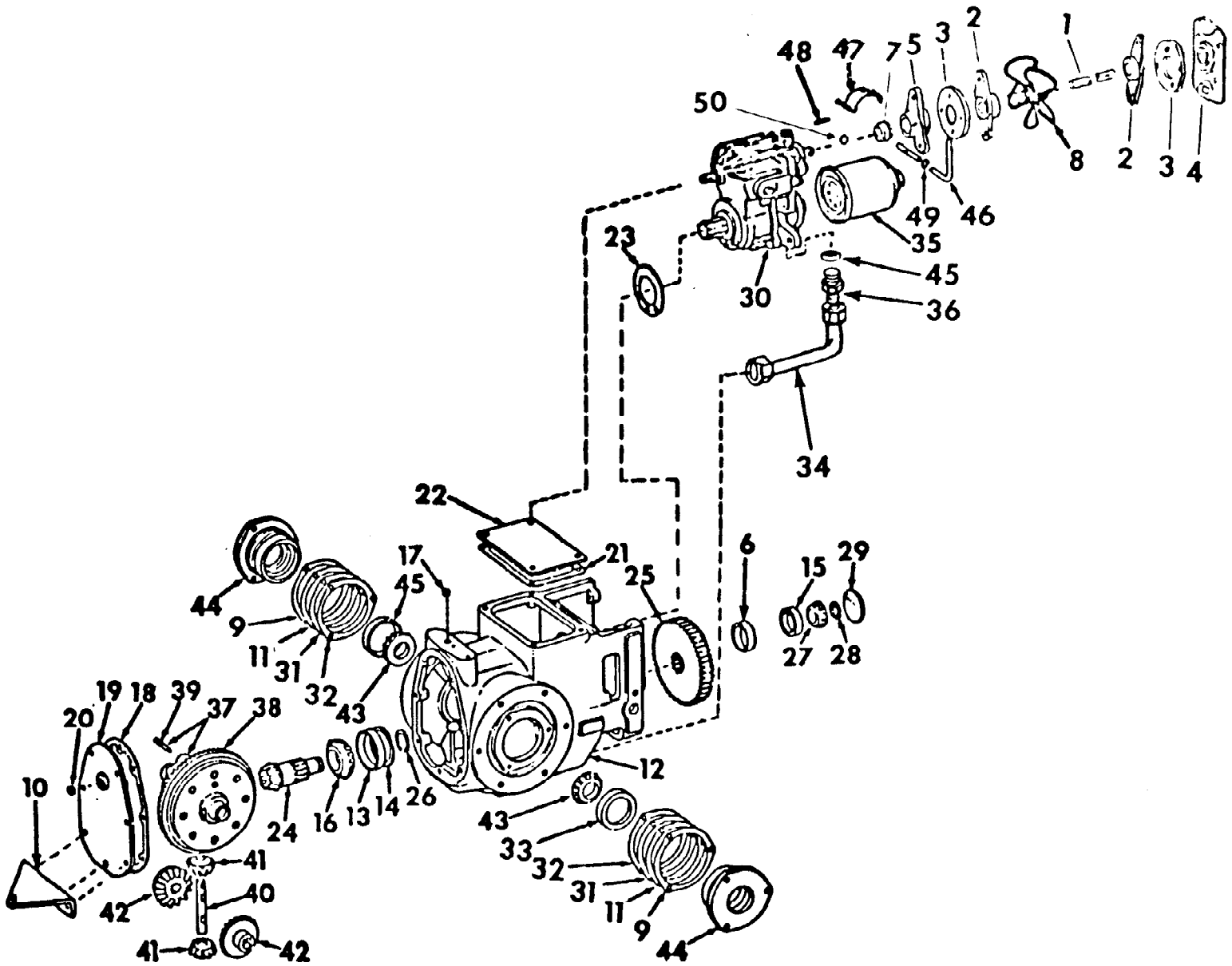
1250

Page 93 of 102

Three Point Hitch & Drawbar

| Ref # | Part Number | Qty | S/P/F | Description |
|-------|--------------|-----|-------|---------------------------------------------------------------------------------|
| 1 | IH-547701-R1 | 1 | | Shaft, Lift Lever (Serial No. 616145 & below) |
| | 714-0111 | 2 | S | Pin, 3/32 X 7/8 Cot |
| 2 | 719-3024 | 1 | /P | Lever, Lift |
| | | 1 | | Screw, 1/2-13 X 1-3/8 Znd Hex Hd Cap Type 8 (Common Hardware, Purchase Locally) |
| | 736-3003 | 1 | /P | Washer, 17/32 X 3/4 X 16 Ga C-Z |
| | 736-3013 | 1 | S | Washer, 17/32 X 1 X 22 Ga C-Z |
| 3 | 703-0398 | 1 | /P | Plate Assy, Lift Bar |
| | 714-0470 | 1 | S | Pin, 3/32 X 1/4 Cot |
| | 710-3063 | 2 | S | Screw, 3/8-16 X 3/4 Znd Hex Hd Cap Type 8 |
| | 736-0119 | 2 | S | Washer, 5/16 C-Z Med Lock |
| | 736-0275 | 2 | S | Washer, 11/32 X 11/16 X .065 C-Z |
| 4 | IH-545638-R3 | 1 | | Bar, Lift |
| | 737-0108 | 1 | S | Fitting, 3/16 45 Deg Angle Drive Type Lube |
| 5 | 711-3073 | 1 | /P | Spacer, Lift Bar |
| 6 | 703-0400 | 1 | S | Link, Lower Hitch |
| | 710-3005 | 3 | /P | Screw, 3/8-16 X 1-1/4 C-Z Hex Hd Cap |
| 7 | 703-0401 | 1 | | Drawbar, Fixed |
| | 710-3001 | 3 | /P | Screw, 3/8-16 X 7/8 Hex Hd Cap |
| 8 | IH-64872-C1 | 2 | S | Bolt, Stud Shaft (Serial No. 616146 & above) |
| | IH-219759 | 2 | | Nut, 7/8-14 Hex Jam |

Transmission Case, Differential, Hydro Drive, & Rel Parts

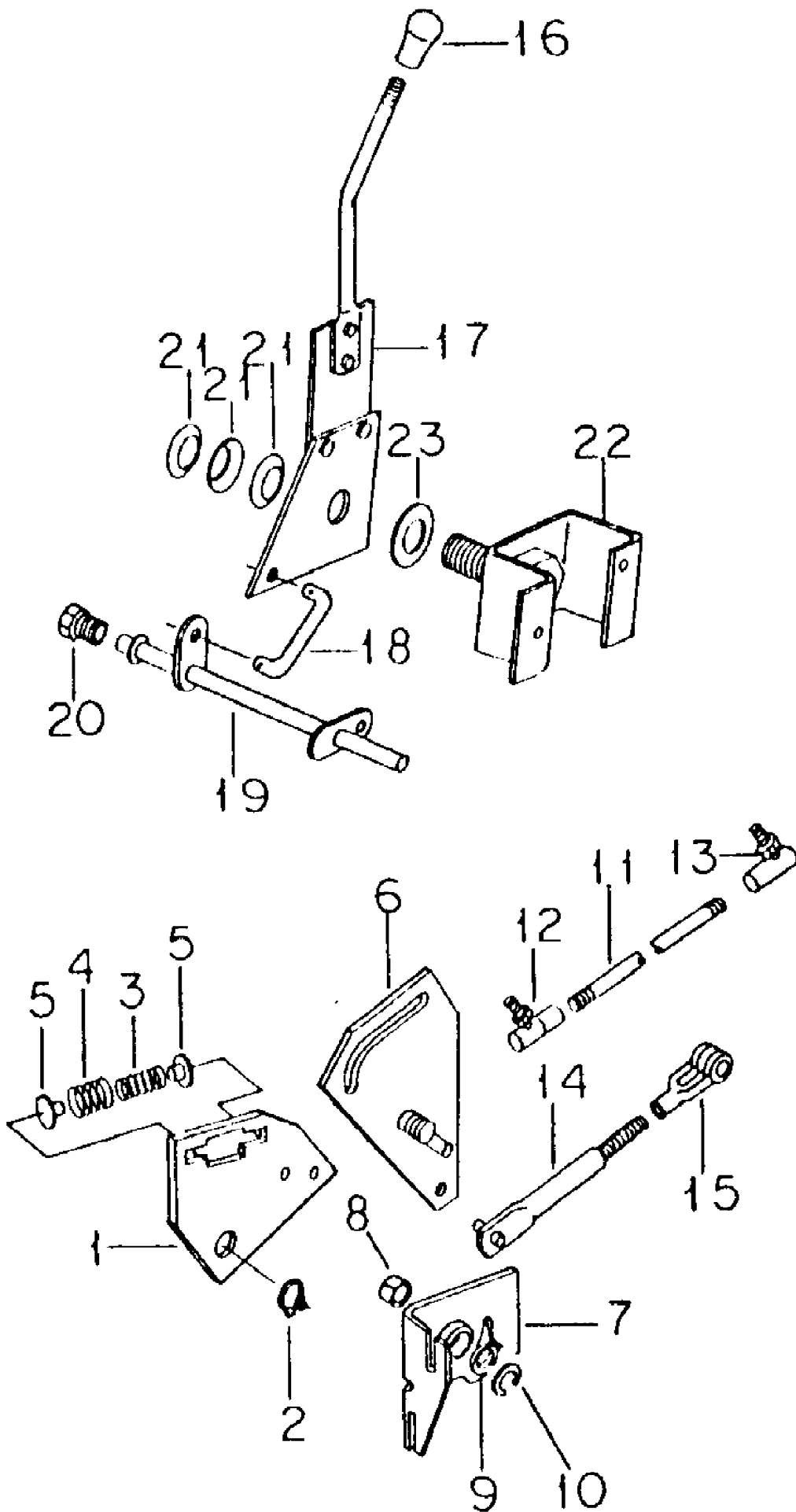


Transmission Case, Differential, Hydro Drive, & Rel Parts

| Ref # | Part Number | Qty | S/P/F | Description |
|-------|---------------|------|-------|--------------------------------------------------------------------------------------------------------------|
| 1 | IH-140079-C1 | 1 | | Shaft, Drive (Replaces IH-61125-C4 on tractors w/Serial No. 622951 & below by also order |
| 2 | 748-3001 | 2 | /P | Arm, Coupling |
| 3 | 722-3000 | 3 | /P | Disc, Flexible Coupling |
| 4 | 703-0204 | 1 | S | Flange, Drive Shaft |
| | | 4 | | Screw, 1/4-20 X 5/8 Hex Hd Cap (Common Hardware, Purchase Locally) |
| | | 4 | | Washer, 1/4 Reg Lock (Common Hardware, Purchase Locally) |
| 5 | 719-3027 | 1 | S | Coupler, Drive Shaft |
| 6 | IH-530647-R1 | 1 | | Spacer, Pinion Shaft Gear (Not required for tractors w/internal wet brakes) |
| | | 1 | | Washer, 1-11/32 X 2 X 11 Ga Flat (Common Hardware, Purchase Locally) (Not required for tractors w/internal w |
| 7 | 741-3004 | 1 | S | Bushing, Self Aligning Ball |
| | 710-3005 | 2 | /P | Bolt, 3/8 X 1-1/4 Type 5 |
| | 710-0520 | 4 | /P | Bolt, 3/8 X 1-1/2 Type 5 |
| | 710-3097 | 2 | /P | Bolt, 3/8-16 X 1 Sq Nk Crg |
| | 736-0140 | 8 | S | Washer, 13/32 X 13/16 X 16 Ga Znd |
| | 712-3000 | 8 | S | Nut, 3/8-16 Cdp Hex Lock |
| | 715-3000 | 3 | S | Pin, 1/4 X 1-3/8 Hv Coiled Spring |
| 8 | IH-547749-R1 | 1 | S | Fan, Cooling |
| 9 | 717-3097 | 3/AR | S | Shim, Bearing Retainer, .004 |
| 10 | 703-0401 | 1 | | Drawbar, Fixed |
| | 710-3001 | 3 | /P | Screw, 3/8-16 X 1 Hex Hd Cap |
| 11 | 717-3098 | 4/AR | S | Shim, Bearing Retainer, .007 |
| 12 | IH-394081-R91 | 1 | | Case Assy, Transmission (Also order plug IH-379277-C1) |
| | IH-379277-C1 | 1 | | Plug, 1-3/8 Cup |
| 13 | IH-394083-R91 | 1 | | Bearing, Bevel Pinion Shaft Rear Cup |
| 14 | 717-3123 | 2/AR | | Shim, Rear Bearing Cup, .004 |
| | 717-3124 | 2/AR | | Shim, Rear Bearing Cup, .015 |
| | 717-3125 | 2/AR | /P | Shim, Rear Bearing Cup, .007 |
| 15 | 741-0372 | 1 | S | Bearing, Bevel Pinion Shaft Front Cup |
| 16 | IH-394083-R91 | 1 | | Bearing Assy, Bevel Pinion Shaft Rear Cone |
| 17 | 727-3025 | 1 | | Plug, Breather |
| 18 | IH-350837-R2 | 1 | S | Gasket, Rear Cover Plate |
| 19 | IH-394089-R11 | 1 | | Plate Assy, Rear Cover |
| | 710-3001 | 2 | /P | Screw, 3/8-16 X 5/8 Hex Hd Cap |
| 20 | 737-0177 | 1 | /P | Plug, 1/2-14 Auto Sq Soc Hd Drain |
| 21 | IH-394091-R1 | 1 | | Gasket, Top Cover |
| 22 | IH-394090-R1 | 1 | | Cover, Top |
| | | 4 | | Screw, 3/8-16 X 3/4 Hex Hd Cap (Common Hardware, Purchase Locally) |
| 23 | 721-3004 | 1 | S | Gasket, Front |
| 24 | IH-394093-R1 | 1 | | Shaft, Bevel Pinion |
| 25 | 717-3141 | 1 | /P | Gear, Constant Mesh -66T |

Transmission Case, Differential, Hydro Drive, & Rel Parts

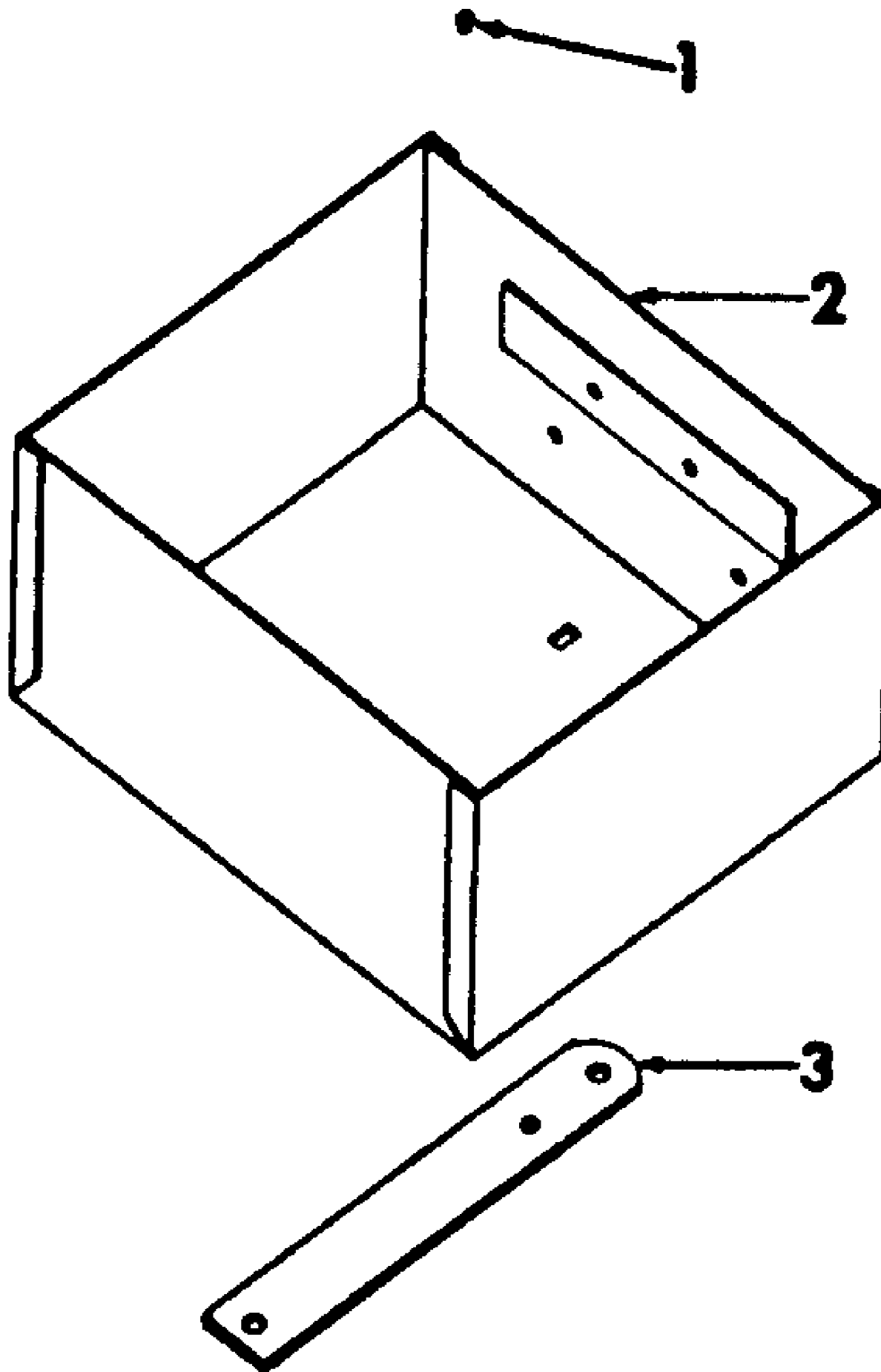
| Ref # | Part Number | Qty | S/P/F | Description |
|-------|---------------|------|-------|------------------------------------------------------------------------------------------------------------------|
| 26 | IH-323315-C1 | 1 | | Ring, Gear Retainer |
| 27 | 741-0373 | 1 | S | Bearing Assy, Bevel Pinion Shaft Front Cone |
| 28 | 717-3127 | AR | /P | Ring, Pinion Shaft Front Brg Retainer, .125 |
| | 717-3128 | AR | S | Ring, Pinion Shaft Front Brg Retainer, .119 |
| | 717-3129 | AR | /P | Ring, Pinion Shaft Front Brg Retainer, .113 |
| | 717-3130 | AR | /P | Ring, Pinion Shaft Front Brg Retainer, .107 |
| | IH-395099-R1 | AR | | Ring, Pinion Shaft Front Brg Retainer, .101 |
| | 717-3132 | AR | /P | Ring, Pinion Shaft Front Brg Retainer, .131 |
| 29 | 726-0216 | 1 | /P | Plug, 2-1/8 Expansion |
| 30 | | 1 | | Transmission Assy, Hydrostatic Drive (For components, see list of parts under details of hydrostatic transmissio |
| | | 6 | | Bolt, 3/8 X 1-1/2 Pln Type 5 (Common Hardware, Purchase Locally) |
| 31 | 717-3099 | 2/AR | /P | Shim, Bearing Retainer, .0149 |
| 32 | 717-3100 | 2/AR | /P | Shim, Bearing Retainer, .0299 |
| 33 | IH-ST974 | 2 | | Bearing, Cup |
| 34 | 727-3008 | 1 | S | Tube Assy, Transmission |
| | IH-56446-D | 1 | S | Nut, 7/8-18 Hi-Duty Tube Fitting |
| 35 | 723-3014 | 1 | S | Filter Assy |
| 36 | 727-3009 | 1 | /P | Union, 7/8-14 37 Deg Hyd Flared Tube Short Swivel |
| 37 | IH-223472-C91 | 1 | | Case, Diff w/Drive Gear |
| 38 | IH-350787-R1 | 1 | | Gear, Drive -46T |
| | ~NLA | 8 | | Rivet, 5/16 X 1-1/8 Rd Hd |
| 39 | IH-350788-R1 | 1 | | Pin, Pinion Shaft Lock |
| 40 | IH-350789-R1 | 1 | | Shaft, Pinion |
| 41 | 717-3113 | 2 | /P | Pinion, 10T |
| 42 | ~NLA | 2 | | Gear, Side |
| 43 | 741-0369 | 2 | /P | Bearing Assy, Cone |
| 44 | IH-376158-R91 | 2 | | Cage Assy, Differential Bearing |
| | IH-24840-R1 | 6 | | Screw, 3/8-16 X 1 Hex Hd Cap |
| | | 6 | | Washer, 3/8 Med Lock (Common Hardware, Purchase Locally) |
| 45 | 721-3005 | 1 | S | O-Ring, 3/4 X 15/16 X 3/32 |
| 46 | IH-545727-R1 | 1 | | Handle, Dump Valve |
| 47 | IH-545728-R1 | 1 | | Lever, Dump Valve |
| 48 | 715-3008 | 1 | /P | Pin, 1/8 X 3/4 C-Z Hv Coiled Spring |
| 49 | 735-3008 | 1 | /P | Grommet, Rubber |
| 50 | 723-3022 | 1 | /P | Ball, 5/8 Cr Stl (Used only with shaft IH-61154-C4) |



1250
Transmission Controls

Page 98 of 102

| Ref # | Part Number | Qty | S/P/F | Description |
|-------|--------------|-----|-------|------------------------------------------------------------------------|
| 1 | 703-0194 | 1 | S | Plate Assy, Damper Spring |
| 2 | 716-0115 | 1 | S | Ring, Damper Plate Retaining |
| 3 | 732-3012 | 1 | S | Spring, Damper Light |
| 4 | 732-3013 | 1 | S | Spring, Damper Heavy |
| 5 | 711-3033 | 2 | S | Pin, Damper Spring Guide |
| 6 | IH-548057-R2 | 1 | /P | Cam Assy, Control |
| 7 | IH-548055-R2 | 1 | /P | Bracket Assy, Cam Pivot |
| | | 2 | | Screw, 3/8-16 X 1-1/2 Hex Hd Cap (Common Hardware, Purchase Locally) |
| | ~NLA | 2 | | Washer, .406 X .968 X .083 |
| 8 | IH-394048-R1 | 1 | | Bushing, Cam Pivot (Serial No. 594715 & below) |
| 9 | IH-394049-R1 | 1 | S | Washer, Cam Retaining |
| 10 | 716-0865 | 1 | /P | Ring, Cam Retaining |
| 11 | IH-61126-C1 | 1 | | Stud, Connecting |
| 12 | 723-3011 | 1 | S | Joint, 5/16-24 X 1-1/2 C-Z RH Thd Ball |
| | 736-0119 | 1 | S | Nut, 5/16-24 Hex Jam |
| | 736-3008 | 1 | S | Washer, 11/32 X 3/4 X 11 Ga C-Z |
| 13 | 723-3012 | 1 | S | Joint, 5/16-24 C-Z Ball |
| | 712-0237 | 1 | S | Nut, 5/16-24 Hex Nylon Insert |
| 14 | IH-545513-R2 | 1 | | Rod Assy, Control |
| | 712-0237 | 1 | S | Nut, 5/16-24 Hex Nylon Insert |
| 15 | 719-3018 | 1 | | Clevis, 5/16 Adj Rod End Pin |
| | 711-3060 | 1 | /P | Pin, 5/16 Rod End |
| | | 1 | | Pin, 3/32 X 1/2 Cotter (Common Hardware, Purchase Locally) |
| | | 1 | | Nut, 5/16-24 Hex Jam (Common Hardware, Purchase Locally) |
| 16 | 720-3000 | 1 | S | Knob, Control |
| 17 | IH-61464-C2 | 1 | /P | Handle Assy, Control |
| 18 | IH-61429-C3 | 1 | | Link, Connecting |
| | | 1 | | Nut, 5/16-24 Cdp Hex (Common Hardware, Purchase Locally) |
| 19 | IH-106562-C2 | 1 | | Rockshaft Assy, Control |
| | ~NLA | 1 | | Washer, .469 X .922 X .065 |
| 20 | 710-3033 | 1 | | Bearing, Rockshaft |
| | | 1 | | Nut, 3/4-16 Hex Jam (Common Hardware, Purchase Locally) |
| 21 | 736-3035 | 3 | /P | Washer, Belleville |
| | 712-3021 | 1 | S | Nut, 3/4-16 Hex Lock |
| 22 | ~NLA | 1 | | Bracket Assy, Control |
| | | 2 | | Screw, 1/4-20 X 1/2 Phc Hex Hd Cap (Common Hardware, Purchase Locally) |
| 23 | 723-3019 | 1 | /P | Washer, Friction |

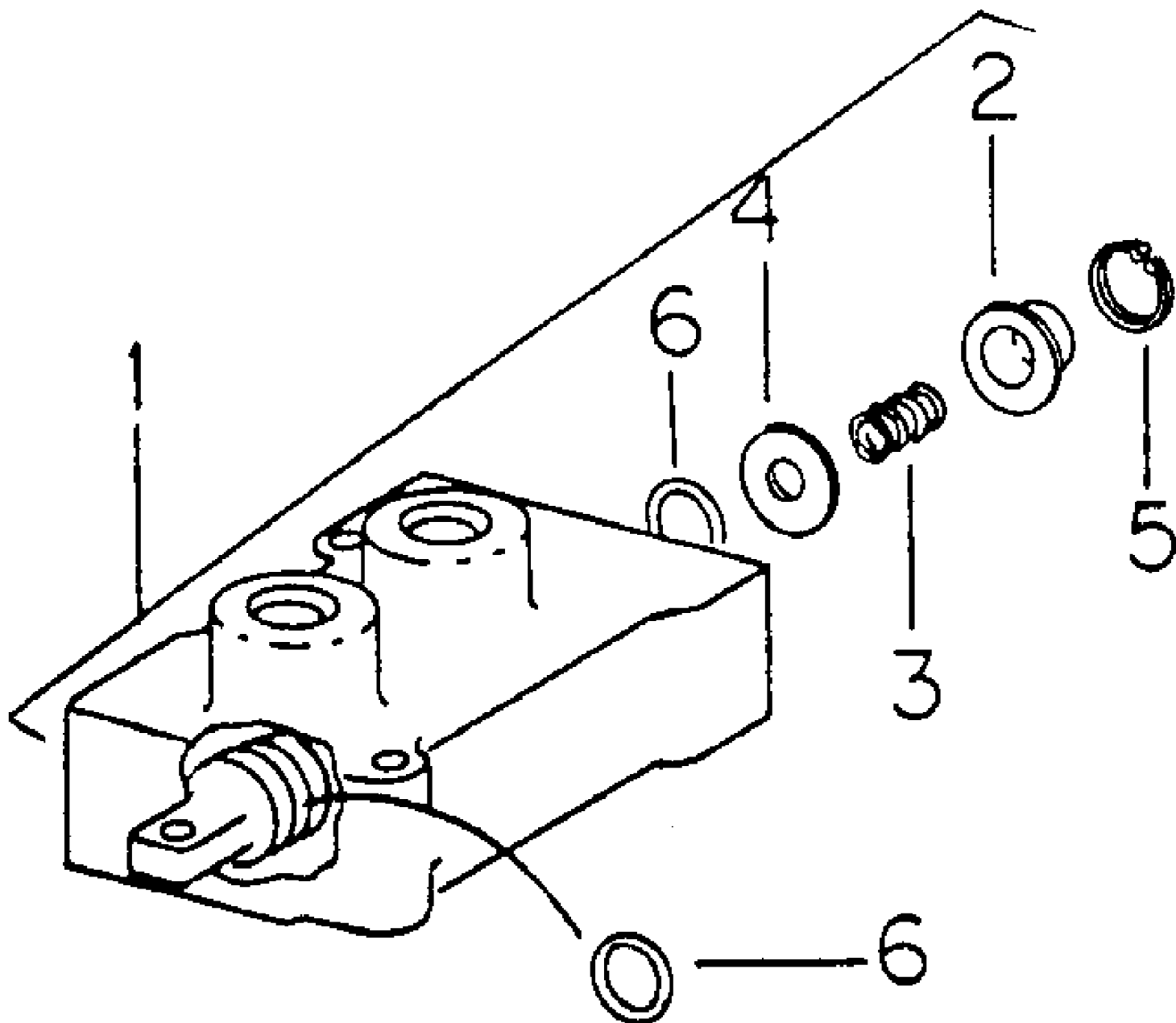


1250
Utility Box

Page 100 of 102

| Ref # | Part Number | Qty | S/P/F | Description |
|-------|--------------|-----|-------|--------------------------------------------------------------------------|
| 1 | ~NLA | 2 | | Pin, Drain Hole |
| | | 2 | | Pin, 1/16 X 1/2 C-Z Cot (Common Hardware, Purchase Locally) |
| 2 | ~NLA | 1 | | Box Assy, Utility |
| | IH-24840-R1 | 2 | | Screw, 3/8-16 X 7/8 C-Z Hex Hd Cap |
| | | 2 | | Screw, 3/8-16 X 1-1/8 C-Z Hex Hd Cap (Common Hardware, Purchase Locally) |
| | 736-0169 | 4 | S | Washer, 3/8 C-Z Med Lock |
| | IH-561277-R1 | 4 | | Spacer, Utility Box |
| 3 | IH-390025-R1 | 1 | | Extension, Drawbar |
| | 710-0389 | 1 | /P | Bolt, 3/8-16 X 3/4 C-Z Sq Nk Crg |
| | | 1 | | Bolt, 1/2-13 X 1-1/4 C-Z Sq Nk Crg (Common Hardware, Purchase Locally) |
| | 712-0206 | 1 | S | Nut, 1/2-13 C-Z Hex |
| | 712-0798 | 1 | /P | Nut, 3/8-16 C-Z Hex |
| | 736-0169 | 1 | S | Washer, 3/8 C-Z Med Lock |
| | 736-0921 | 1 | S | Washer, 1/2 C-Z Med Lock |

1250
Valve, Control-4-Way



1250
Valve, Control-4-Way

Page 102 of 102

| Ref # | Part Number | Qty | S/P/F | Description |
|-------|--------------|-----|-------|-------------------------------------------------------------------------------|
| 1 | IH-69152-C91 | 1 | | Valve Assy, 4 Way Control (For replacement order control valve assy 717-3004) |
| 2 | IH-69153-C1 | 1 | | Cup |
| 3 | IH-69154-C1 | 1 | | Spring |
| 4 | IH-69155-C1 | 1 | | Washer, Return |
| 5 | IH-303322-R1 | 1 | | Ring, Internal Retaining |
| 6 | IH-355966-R1 | 2 | | O-Ring, 7/16 X 5/8 X 3/32 |
| | 717-3004 | 1 | | Valve Assy, Control (Only serviceable parts are) |
| | 759-3432 | 1 | | Kit, Seal |
| | 759-3433 | 1 | | Kit, Spring Centering |