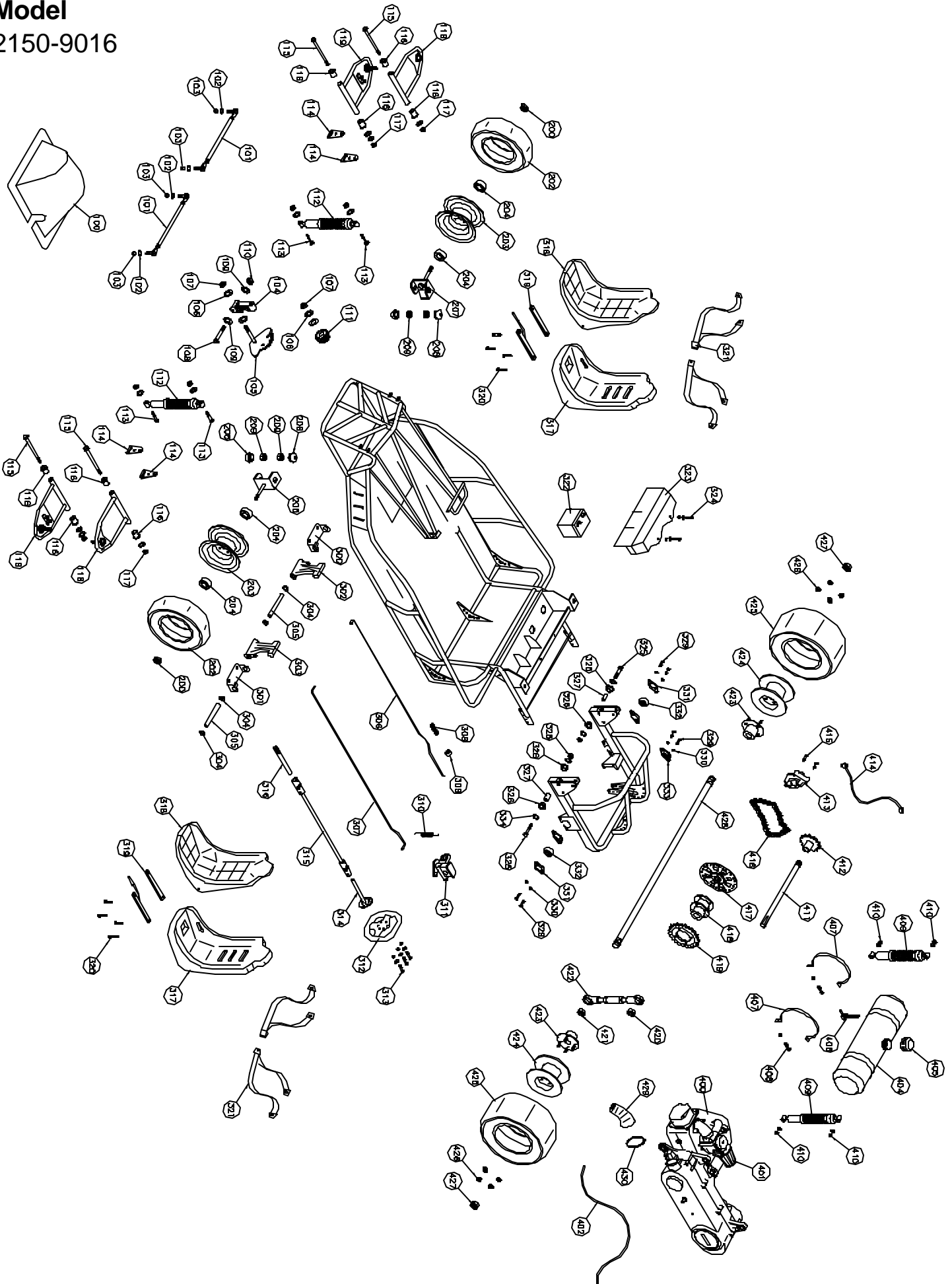
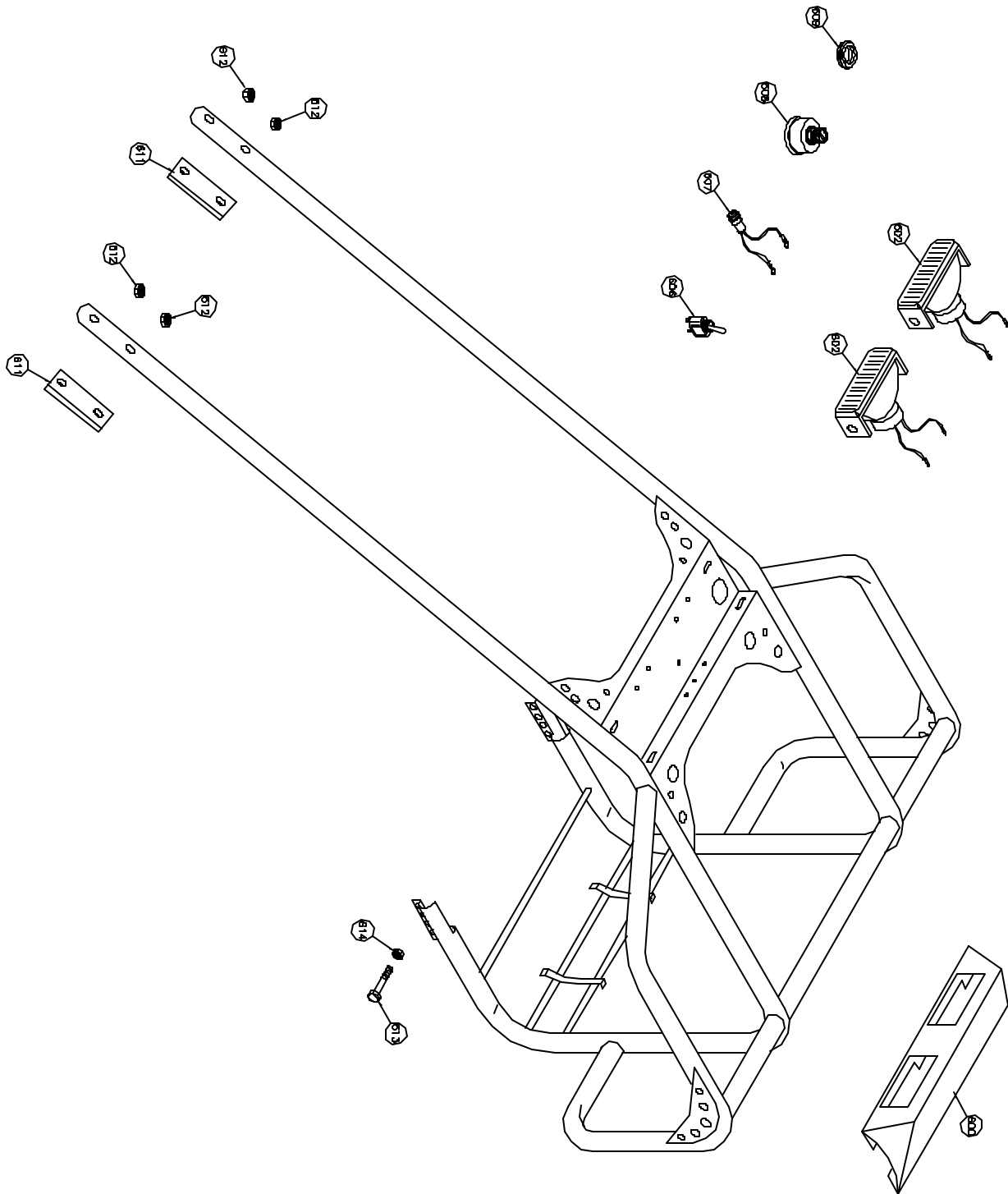


Model
2150-9016



Barcage



Illustrated Parts List

(2150-9016)

| No | Partno | Description | Qty | No | Partno | Description | Qty |
|----------------------------|---------|--------------------------------|-----|-----------------------------|----------|---------------------------------|-----|
| Steering Section | | | | (319) | G690 | Seat Adjuster w/ Handle | 2 |
| (100) | 3371157 | Steering Guard | 1 | (320) | 3011704 | Bolt Assy | 8 |
| (101) | 3241007 | Tie Rod Assy | 2 | (321) | 3351007 | Seat Belt (4-point) | 2 |
| (102) | F408 | Lock Washer 3/8" PL | 4 | (322) | 3091534 | Battery YTX7L-BS 7amp | 1 |
| (103) | F309 | Hex Nut 3/8" NF PL | 4 | (323) | 3371166 | Guard | 1 |
| (104) | 3450111 | Steering Dog Bone | 1 | (324) | 3001110 | Screw (Philips head) 10-24 x 1" | 2 |
| (105) | 3361104 | Steering Pinion Assy | 1 | (325) | F154 | Hex Bolt 1/2" x 2 1/2" TAW | 2 |
| (106) | F428 | Flat Washer 1/2" PL | 3 | (326) | 3401024 | Bushing | 4 |
| (107) | F326 | Lock Nut 1/2" NC PL | 2 | (327) | 3281015 | Sleeve | 2 |
| (108) | 3001102 | Bolt 7/16" x 3" NC | 1 | (328) | 3001042 | Stover Nut 1/2" | 2 |
| (109) | F426 | Flat Washer 7/16" PL | 2 | (329) | F245 | Carriage Bolt 5/16" x 3/4" NC | 10 |
| (110) | F325 | Lock Nut 7/16" NC PL | 1 | (330) | F1017 | Flange Lock Nut 5/16" | 10 |
| (111) | 3231000 | Pinion Gear | 1 | (331) | G339 | Flangette | 8 |
| (112) | 3531000 | Shock Absorb. | 2 | (332) | 3221002 | Bearing 25.4mm | 4 |
| (113) | 3019000 | Suspension Bolt Assy | 4 | (333) | 3221001 | Bearing 20mm (Lutco) | 1 |
| (114) | 3361113 | A-Arm Adjuster | 4 | (334) | F428 | Flat Washer 1/2" PL | 4 |
| (115) | 3009039 | Hex Bolt 3/8" x 7 1/2" NC Gr5 | 4 | (335) | 3301000* | Throttle Cable | 1 |
| (116) | 3401023 | Nylon Bushing | 8 | Engine/Drive Section | | | |
| (117) | F309 | Lock Nut 3/8" NC PL | 4 | (400) | 3130144 | Engine KAT-150cc | 1 |
| (118) | 3361109 | A-Arm Upper | 2 | (401) | 3401019 | Air Filter | 1 |
| (119) | 3361110 | A-Arm Lower Shock Mnt | 2 | (402) | 3581104 | Fuel Line | 1 |
| Front Wheel Section | | | | (403) | 3401025* | Precleaner Sock | 1 |
| (200) | F328 | Lock Nut 5/8" NC PL | 2 | (404) | 3371151 | Fuel Tank | 1 |
| (202) | 3161115 | Tire 16 x 650 x 8 M&S | 2 | (405) | 3401001 | Fuel Cap | 1 |
| (203) | 3191107 | Rim 8" | 2 | (406) | 3401002 | Fuel valve | 1 |
| (204) | 3221005 | Bearing 1 3/8" x 5/8" | 4 | (407) | 3401026 | Fuel Tank strap | 2 |
| (206) | 3211005 | Spindle LFT | 1 | (408) | F101 | Hex bolt 1/4" x 1" NC PL | 2 |
| (207) | 3211004 | Spindle RGT | 1 | (409) | 3531008 | Shocks | 2 |
| (208) | 3531006 | Ball Joint Boot | 4 | (410) | F326 | Lock nut 1/2" NC PL | 4 |
| (209) | 3001100 | Lock Nut 7/16" NC | 4 | (411) | 3391109 | Output Shaft | 1 |
| Frame Section | | | | (412) | 3231108 | Sprocket | 1 |
| (300) | 3581107 | Pedal Bracket (Throttle) | 1 | (413) | 3521104 | Brake Caliper 45801-SKT-00 | 1 |
| (301) | 3521107 | Pedal Bracket (Brake) | 1 | (414) | 3521106 | Brake Line 45877-SKT-00 | 1 |
| (302) | 3452588 | Gas Pedal | 1 | (415) | 4001028 | Bolt 91001-10020-KAS | 2 |
| (303) | 3452589 | Brake Pedal | 1 | (416) | 3311001 | Chain 50x52 | 1 |
| (304) | 3009002 | Cap Nut 3/8" | 4 | (417) | 3521111 | Brake Disc (See #431 for pads) | 1 |
| (305) | 3521009 | Pedal Pin | 2 | (418) | 3391108 | Drive Hub | 1 |
| (306) | 3261000 | Throttle Rod | 1 | (419) | 3231001 | Sprocket 25711-SKT-00 | 1 |
| (307) | 3251002 | Brake Rod | 1 | (420) | 3221003 | Chain Adjuster Bearing 20mm | 1 |
| (308) | 3571004 | Compression Spring | 1 | (421) | 3221004 | Chain Adjuster Bearing 25.4mm | 1 |
| (309) | F252 | Nylock Nut 5/16" NF | 1 | (422) | 3311003 | Chain Adjuster (rear) | 1 |
| (310) | 3521112 | Brake Spring | 1 | (423) | 3201001 | Hub | 2 |
| (311) | 3521105 | Master Cylinder Assy | 1 | (424) | 3191111 | Rim | 2 |
| (312) | 3361000 | Steering Wheel | 1 | (425) | 3161001 | Tire 18x11x8 Badlands | 2 |
| (313) | 3001111 | Bolt (Socket) 1/4" x 20 x 3/4" | 6 | (426) | 3001040 | Lug Nut 1/2" NF | 8 |
| (314) | 3361114 | Steering Shaft (upper) | 1 | (427) | 3001041 | Stover Nut 1" | 2 |
| (315) | 3361111 | Steering Column w/ Joints | 1 | (428) | 3271008 | Axle 1" x 44" CR1144 | 1 |
| (316) | 3361115 | Steering Shaft (lower) | 1 | (429) | 3401036 | Rubber Filter Boot | 1 |
| (317) | 3341001 | Seat | 2 | (430) | 3401037 | Boot Clamp | 1 |
| (318) | 3351000 | Seat Cushion | 2 | (431) | 3521120* | Brake Pad | 2 |

(*) Not shown on illustration

Illustrated Parts List (cont.)
(2150-9016)

| No | Partno | Description | Qty | No | Partno | Description | Qty |
|---------------------------|----------|-------------------------------|-----|-------|---------|---------------------------------------|-----|
| Electrical Section | | | | (603) | F210* | Screw (Philips) 10-24 x 1/2" (Lights) | 4 |
| (500) | 3091060* | Voltage Regulator (Rectifier) | 1 | (604) | F302* | Hex Nut 3/16" NC (Lights) | 4 |
| (501) | 3091061* | CDI | 1 | (605) | F402* | Lock Washer 3/16" (Lights) | 4 |
| (502) | 3091063* | Solenoid (Starter Relay) | 1 | (606) | 3091052 | Switch | 1 |
| (503) | 3091062* | Coil w/ spark plug wire | 1 | (607) | 3091402 | Ignition Light | 1 |
| (504) | 3091059* | Component Wiring harness | 1 | (608) | 3091065 | Magneto Switch | 1 |
| (505) | 3091064* | Engine/CBC Wiring harness | 1 | (609) | 3091401 | Wire Grommet | 1 |
| (506) | 3091053* | Tachometer | 1 | (610) | F213* | Screw 10-24 x 3/4" (Ground) | 1 |
| Bar Cage Section | | | | (611) | 3401020 | Vibration Dampner | 2 |
| (600) | 3121002 | Light Hood (Blue) | 1 | (612) | 3001100 | Lock Nut 7/16" NC | 4 |
| (601) | 3001542* | Hex Screw 3/16" x 3/4" (Hood) | 4 | (613) | F110 | Hex Bolt 5/16" x 3/4" NC | 8 |
| (602) | 3091400 | Light M557 | 2 | (614) | F1017 | Flange Lock Nut 5/16" NC | 8 |

(*) Not shown on illustration

(*) Not shown on illustration

Carter Brothers Mfg. Co., Inc. 1871 US Hwy 231 Brundidge, AL 36010-9148
Tele: (334) 735-2301 Fax: (334) 735-3500