

SERVICE ENGINE



SALES MANUAL

MODEL 81100 SERIES ENGINES REPLACED WITH STANDARD SERVICE ENGINES

In most cases, the Original Type numbers shown may be replaced by a Service Type Number without making any changes. Necessary changes of engine parts such as crankshafts, reduction parts, blower housings, etc., are noted. Other differences, such as mufflers, elbows, deflectors, etc., are not listed but are very important for safety and engine performance. Be sure the exhaust system on the replacement engine duplicates the system originally selected by the equipment manufacturer. Parts that are suitable for additional use should be transferred. Before making any conversion, check the data shown in the column labeled "REMOVE, ADD and NOTE." See if the changes, which are shown, are actually necessary on the application in question. Often a standard service engine will be a WORKABLE replacement without converting to such things as a special fuel tank or starter position.

If the crankshaft number does not appear in the "Original Engine" column, consult the Illustrated Parts List for the correct service replacement crankshaft number.

Engine Replacement Notes:

- NOTE 5:** Drill and retap end of crankshaft 5/16"-24 (5/8" deep).
- NOTE 15:** For all Go-Karts use only a Model 136200 series engine as a replacement, regardless of the original Model.
- NOTE 34:** If the replacement engine supersedes to or is a Model 90000 series engine, refer to the illustrations located after the conversion data for this model series. The overall dimensions which differ, are shown in the illustrations. If after making a visual inspection and it is determined the Model 93400 series engine cannot be used because of equipment interference, the original engine should be repaired with a short block and/or individual parts.

Short Block Notes:

The SHORT BLOCK part number shown, is the assembly which can be used to rebuild the Original Type Number. If a letter appears after the short block number, it indicates the short block must be modified. The change denoted by each letter is as follows:

81100 to 81199

Original Engine			Make From		Remove		Add		Note	Change to Type	Trim	RPM	Short Block	
Type	Model	Crank	Model	Type #	Qty	Part #	Qty	Part #					Part #	Notes
0110	81101	260257	93302	0016					15 34		All	3300		
0111	81102	260257	93302	0016					15 34		All	3300		
0115	81111	260257	93312	0022					15 34		All	3300		
0116	81112	260257	93312	0022					15 34		All	3300		
0120	81131	260110	No Replacement Repair With Individual Parts.						15		All	3300		
0121	81132	260110	No Replacement Repair With Individual Parts.						15		All	3300		
0125	81151	260276	93352	0049					15 34		All	3300		
0126	81152	260276	93352	0049					15 34		All	3300		
0130	81102	260257	93302	0016					15 34					
0131	81102	260257	93302	0016					15 34		All	3600		
0132	81102	260492	93302	0017					15 34					
0133	81102	260257	93302	0016					15 34					
0134	81151	260276	93352	0049					15 34					
0135	81131	260107	93332	0035					15 34		All	3300		
0136	81132	260932	93332	0035					15 34					

81100 to 81199

Original Engine			Make From		Remove		Add		Note	Change to Type	Trim	RPM	Short Block	
Type	Model	Crank	Model	Type #	Qty	Part #	Qty	Part #					Part #	Notes
0137	81102	260257	93302	0016					15 34					
0138	81112	260257	93312	0022					15 34					
0139	81101	260257	93302	0016					15 34	All	3300			
908510	81101	260257	93302	0016					15 34	All	3300			
908511	81102	260257	93302	0016					15 34	All	3300			
908512	81103	260257	93302	0016					15 34	All	3300			
908513	81111	260257	93312	0022					15 34	All	3300			
908514	81112	260257	93312	0022					15 34	All	3300			
908515	81131	260110	No Replacement Repair With Individual Parts.						15	All	3300			
908516	81132	260110	No Replacement Repair With Individual Parts.						15	All	3300			
908517	81151	260276	93352	0049					15 34	All	3300			
908518	81152	260276	93352	0049					15 34	All	3300			
908520	81102	260257	93302	0016					15 34	All	3300			
908521	81101	260562	93302	0016					5 15 34					
908522	81102	260257	93302	0016					15 34					
908523	81102	260257	93302	0016					15 34					
908524	81101	260257	93302	0016					15 34					
908525	81102	260492	93302	0017					15 34					
908526	81101	260492	93302	0017					15 34					
908527	81101	260492	93302	0017					15 34					
908528	81102	260492	93302	0017					15 34					
908529	81102	260257	93302	0016					15 34					
908530	81102	260257	93302	0016					15 34					
908531	81102	260492	93302	0017					15 34					
908532	81102	260257	93302	0016					15 34					
908533	81102	260492	93302	0017					15 34					
908534	81101	260257	93302	0016					15 34					
908535	81102	260257	93302	0016					15 34					
908536	81102	260257	93302	0016					15 34					

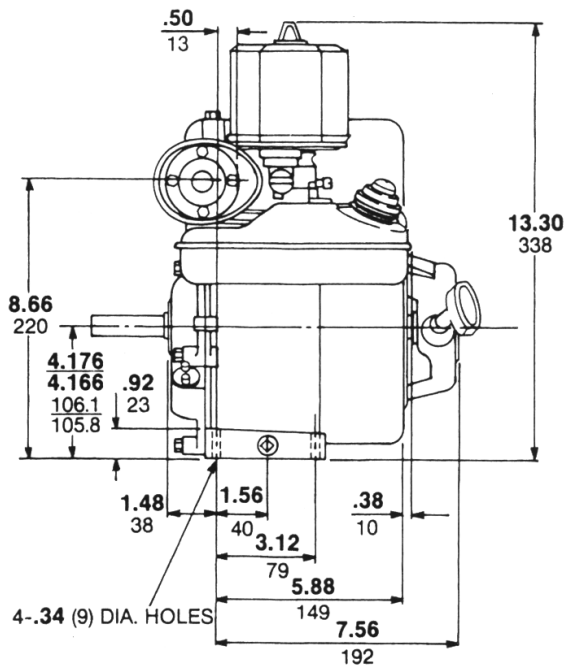
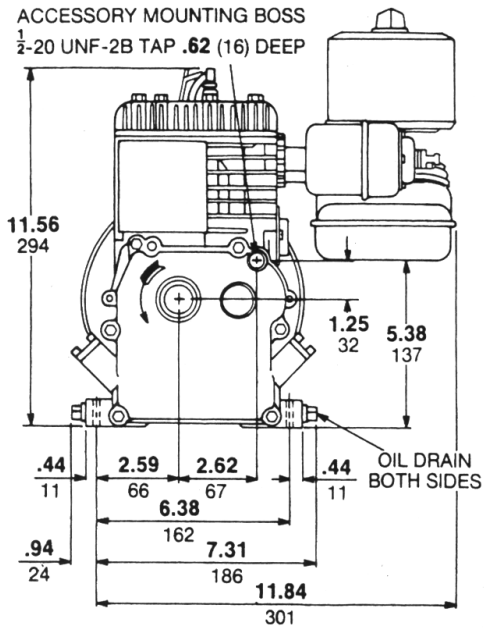
81100 to 81199

Original Engine			Make From		Remove		Add		Note	Change to Type	Trim	RPM	Short Block	
Type	Model	Crank	Model	Type #	Qty	Part #	Qty	Part #					Part #	Notes
908537	81102	260492	93302	0017					15 34					
908538	81102	260257	93302	0016					15 34					
908539	81102	260257	93302	0016					15 34					
908540	81102	260257	93302	0016					15 34					
908541	81102	260257	93302	0016					15 34					
908542	81102	260257	93302	0016					15 34					
908543	81102	260257	93302	0016					15 34					
908544	81106	260257	93302	0016					15 34	All	3300			
908545	81136	260110	No Replacement Repair With Individual Parts.						15	All	3300			
908546	81101	260257	93302	0016					15 34					
908547	81102	260257	93302	0016					15 34					
908548	81131	260107	No Replacement Repair With Individual Parts.						15	All	3300			
908549	81102	260257	93302	0016					15 34					
908550	81102	262057	93302	0016					15 34					
908551	81106	260257	93302	0016					15 34					
908552	81102	260257	93302	0016					15 34					
908553	81106	260257	93302	0016					15 34					
908554	81131	260512	No Replacement Repair With Individual Parts.						15	All	3300			
908555	81131	260489	No Replacement Repair With Individual Parts.						15	All	3300			
908556	81102	260257	93302	0016					15 34					
908557	81106	260492	93302	0017					15 34					
908558	81106	260492	93302	0017					15 34					
908559	81102	260257	93302	0016					15 34					
908560	81106	260257	93302	0016					15 34					
908561	81106	260257	93302	0016					15 34					
908562	81131	260489	No Replacement Repair With Individual Parts.						15	All	3800			
908563	81102	260257	93302	0016					15 34	All	3300			
908564	81132	260932	93332	0035					15 34					
908565	81102	260257	93302	0016					15 34					
908566	81131	260489	No Replacement Repair With Individual Parts.						15	All	3300			
908567	81106	260257	93302	0016					15 34					
908568	81106	260257	93302	0016					15 34					

81100 to 81199

Original Engine			Make From		Remove		Add		Note	Change to Type	Trim	RPM	Short Block	
Type	Model	Crank	Model	Type #	Qty	Part #	Qty	Part #					Part #	Notes
908569	81151	260276	93352	0049					15 34		All	3300		
908570	81101	260395	93302	0016					15 34					
908571	81102	260257	93302	0016					15 34					
908572	81106	260257	93302	0016					15 34					
908573	81131	260107	93332	0035					15 34		All	3300		
908574	81132	260932	93332	0035					15 34		All	3300		
908575	81106	260257	93302	0016					15 34					
908576	81102	260257	93302	0016					15 34					
908577	81132	260932	93332	0035					15 34					

MODEL 81100



MODEL 90000

