

80100 to 80199

SERVICE ENGINE  **SALES MANUAL**

**MODEL 80100 SERIES ENGINES REPLACED WITH
 STANDARD SERVICE ENGINES**

In most cases, the Original Type numbers shown may be replaced by a Service Type Number without making any changes. Necessary changes of engine parts such as crankshafts, reduction parts, blower housings, etc., are noted. Other differences, such as mufflers, elbows, deflectors, etc., are not listed but are very important for safety and engine performance. Be sure the exhaust system on the replacement engine duplicates the system originally selected by the equipment manufacturer. Parts that are suitable for additional use should be transferred. Before making any conversion, check the data shown in the column labeled "REMOVE, ADD and NOTE." See if the changes, which are shown, are actually necessary on the application in question. Often a standard service engine will be a WORKABLE replacement without converting to such things as a special fuel tank or starter position.

If the crankshaft number does not appear in the "Original Engine" column, consult the Illustrated Parts List for the correct service replacement crankshaft number.

Engine Replacement Notes:

- NOTE 5:** Drill and retap end of crankshaft 5/16"-24 (5/8" deep).
- NOTE 15:** For all Go-Karts use only a Model 136200 series engine as a replacement, regardless of the original Model.
- NOTE 17:** Gear Red. @ 3 o'clock.
- NOTE 34:** If the replacement engine supersedes to or is a Model 90000 series engine, refer to the illustrations located after the conversion data for this model series. The overall dimensions which differ, are shown in the illustrations. If after making a visual inspection and it is determined the Model 93400 series engine cannot be used because of equipment interference, the original engine should be repaired with a short block and/or individual parts.
- NOTE 113:** Gear Red. @ 6 o'clock.

Short Block Notes:

The SHORT BLOCK part number shown, is the assembly which can be used to rebuild the Original Type Number. If a letter appears after the short block number, it indicates the short block must be modified. The change denoted by each letter is as follows:

80100 to 80199

Original Engine			Make From		Remove		Add		Note	Change to Type	Trim	RPM	Short Block	
Type	Model	Crank	Model	Type #	Qty	Part #	Qty	Part #					Part #	Notes
0015	80102	260257	93302	0016					15 34		01	3300		
0110	80101	260257	93302	0016					15 34		01 02	3300 2600		
0111	80102	260257	93302	0016					15 34		All	3300		
0113	80106	260257	93302	0016					15 34		01	3300		
0115	80111	260257	93312	0002					15 34		01	3300		
0116	80112	260257	93312	0002					15 34		01	3300		
0120	80131	260110	No Replacement Repair With Individual Parts.						15		01	3300		
0121	80132	260110	No Replacement Repair With Individual Parts.						15		01	3300		
0125	80151	260276	93352	0049					15 34		01	3300		
0126	80152	260276	93352	0049					15 34		All	3300		
0130	80102	260257	93302	0016					15 34		01	3900		
0131	80106	260257	93302	0016					15 34		01	3900		
0132	80102	260257	93302	0016					15 34		01	3600		
0133	80102	260492	93302	0017					15 34		01	3600		

80100 to 80199

Original Engine			Make From		Remove		Add		Note	Change to Type	Trim	RPM	Short Block	
Type	Model	Crank	Model	Type #	Qty	Part #	Qty	Part #					Part #	Notes
0134	80102	260257	93302	0016					15 34		01	3600		
0135	80102	260492	93302	0017					15 34		01	3600		
0136	80132	260110	No Replacement Repair With Individual Parts.						15		01	3300		
0137	80102	260492	93302	0017					15 34		01	3900		
0138	80102	260257	93302	0016					15 34		All	3300		
0139	80102	260257	93302	0016					15 34		01	3600		
0140	80102	260257	93302	0016					15 34		01 02	3000 3800		
0141	80102	260492	93302	0017					15 34		01 02	3600 3300		
0142	80102	260257	93302	0016					15 34		01	3600		
0143	80102	260257	93302	0016					15 34		01	3900		
0144	80102	260492	93302	0017					15 34		01	3600		
0145	80102	260257	93302	0016					15 34		01	3300		
0146	80131	260489	No Replacement Repair With Individual Parts.						15		01	3400		
0147	80102	260257	93302	0016					15 34		01	3600		
0148	80132	260489	No Replacement Repair With Individual Parts.						15		01 02	3300 3800		
0149	80102	260492	93302	0017					15 34		01	3600		
0150	80102	260492	93302	0017					15 34		01	3900		
0151	80102	260257	93302	0016					15 34		01	3900		
0152	80102	260257	93302	0016					15 34		01	3800		
0153	80131	260107	93332	0035					15 34		01	3600		
0154	80102	260257	93302	0016					15 34		All	3600		
0155	80152	260276	93352	0049					15 34 113		01	3800		
0156	80102	260492	93302	0017					15 34		01	3600		
0157	80102	260257	93302	0016					15 34		01	3600		
0158	80102	260492	93302	0017					15 34		01	3900		
0159	80102	260492	93302	0017					15 34		01	3600		
0160	80192	260257	No Replacement Repair With Individual Parts.						15		01	3600		
0161	80192	260257	No Replacement Repair With Individual Parts.						15		01	3300		
0162	80152	260276	93352	0049					15 17 34		01	2800		
0163	80132	260932	93332	0035					15 34		01	3300		

80100 to 80199

Original Engine			Make From		Remove		Add		Note	Change to Type	Trim	RPM	Short Block	
Type	Model	Crank	Model	Type #	Qty	Part #	Qty	Part #					Part #	Notes
0164	80102	260257	93302	0016					15 34		01	3600		
0165	80101	260257	93302	0016					15 34		01	3300		
0166	80111	260492	93312	0002					15 34		All	3300		
0167	80101	260492	93302	0017					15 34		01	3800		
0168	80102	260257	93302	0016					15 34		All	3600		
0169	80102	260492	93302	0017					15 34		All	3900		
0170	80131	260109	No Replacement Repair With Individual Parts.						15		01	2300		
0171	80102	260257	93302	0016					15 34		All	3600		
0172	80152	260276	93352	0049					15 34		01	3300		
0173	80102	260492	93302	0017					15 34		All	3900		
0174	80102	260492	93302	0017					15 34		01	3300		
0175	80102	260257	93302	0016					15 34		01	3600		
0176	80102	260257	93302	0016					15 34		01	3300		
0177	80102	260257	93302	0016					15 34		01	3600		
0178	80102	260492	93302	0017					15 34		01	3600		
0179	80152	260276	93352	0049					15 34 113		01	3300		
0180	80102	260257	93302	0016					15 34		01	3600		
0181	80102	260492	93302	0017					15 34		01	3600		
0182	80152	260276	93352	0049					15 34		01	3300		
0183	80102	260492	93302	0017					15 34		01	3600		
0184	80132	260932	93332	0035					15 34		01	3300		
0185	80102	260492	93302	0017					15 34		01	3900		
0186	80112	260492	93312	0002					15 34		01	4000		
0187	80102	260492	93302	0017					15 34		01	3600		
0188	80102	260257	93302	0016					15 34		01	2200		
0189	80102	260492	93302	0017					15 34		01	3600		
0190	80101	260257	93302	0016					15 34		01	3300		
0191	80102	260257	93302	0016					15 34		01	3600		
0192	80112	260257	93312	0022					15 34		01	3600		

80100 to 80199

Original Engine			Make From		Remove		Add		Note	Change to Type	Trim	RPM	Short Block	
Type	Model	Crank	Model	Type #	Qty	Part #	Qty	Part #					Part #	Notes
0193	80112	260257	93312	0022					15 34		01	3600		
0194	80132	260932	93332	0035					15 34		All	3600		
0195	80102	260492	93302	0017					15 34		01	3600		
0196	80131	260489	No Replacement Repair With Individual Parts.						15		01	3600		
0197	80112	260257	93312	0022					15 34		01	3600		
0198	80102	260492	93302	0017					15 34		01	3600		
0199	80102	260492	93302	0017					15 34		01	3600		
0200	80102	260257	93302	0016					15 34		01	3900		
0201	80132	260187	No Replacement Repair With Individual Parts.						15		01	3900		
0202	80102	260492	93302	0017					15 34		01	3900		
0203	80102	260492	93302	0017					15 34		01	3900		
0204	80112	260492	93312	0002					15 34		01	3600		
0205	80102	260492	93302	0017					15 34		01	3900		
0206	80102	260562	93302	0016					5 15 34		01	3900		
0207	80102	260257	93302	0016					15 34		01	3900		
0208	80102	260492	93302	0017					15 34		01	3900		
0209	80132	260187	No Replacement Repair With Individual Parts.						15		01	3300		
0210	80102	260257	93302	0016					15 34		All	3600		
0211	80102	260492	93302	0017					15 34		01	3600		
0212	80152	260276	93352	0049					15 17 34		01	3300		
0213	80102	260492	93302	0017					15 34		01	3600		
0214	80102	260492	93302	0017					15 34		01	3600		
0215	80102	260492	93302	0017					15 34		All	3300		
0216	80102	260492	93302	0017					15 34		01	3600		
0217	80102	260492	93302	0017					15 34		01	3900		
0218	80132	260187	93332	0040					15 34		01	3600		
0219	80131	260932	93332	0035					15 34		01	3300		
0220	80102	260492	93302	0017					15 34		All	3600		
0221	80102	260492	93302	0017					15 34		All	3600		

80100 to 80199

Original Engine			Make From		Remove		Add		Note	Change to Type	Trim	RPM	Short Block	
Type	Model	Crank	Model	Type #	Qty	Part #	Qty	Part #					Part #	Notes
0222	80102	260492	93302	0017					15 34		01	3800		
0223	80102	260257	93302	0016					15 34		01	3200		
0224	80102	260257	93302	0016					15 34		01	3300		
0225	80132	260182	93332	0036					15 34		01	3300		
0226	80132	260182	93332	0036					15 34		All	4000		
0227	80102	260492	93302	0017					15 34		01	3900		
0228	80102	260492	93302	0017					15 34		01	3600		
0229	80102	260492	93302	0017					15 34		All	3600		
0230	80132	260182	93332	0036					15 34		01	3900		
0231	80102	260492	93302	0017					15 34		01	3600		
0232	80132	260187	93332	0040					15 34		All	3600		
0233	80102	260492	93302	0017					15 34		01	3600		
0234	80112	260492	93312	0002					15 34		01	3600		
0235	80102	260257	93302	0016					15 34		01	3600		
0236	80112	260492	93312	0002					15 34		01	3600		
0237	80102	260492	93302	0017					15 34		01	3300		
0238	80102	260257	93302	0016					15 34		01	3300		
0239	80102	260492	93302	0017					15 34		01	2600		
0240	80112	260492	93312	0002					15 34		01	3600		
0241	80102	260492	93302	0017					15 34		01	3600		
0242	80112	260492	93312	0002					15 34		01	3800		
0243	80112	260492	93312	0002					15 34		01	3800		
0244	80112	260257	93312	0022					15 34		01	3600		
0245	80102	260492	93302	0017					15 34		01	3900		
0246	80102	260257	93302	0016					15 34		01	3400		
0247	80102	260492	93302	0017					15 34		01	3900		
908010	80101	260257	93302	0016					15 34					
908013	80111	260257	93312	0002					15 34					
908014	80112	260257	93312	0002					15 34					

80100 to 80199

Original Engine			Make From		Remove		Add		Note	Change to Type	Trim	RPM	Short Block	
Type	Model	Crank	Model	Type #	Qty	Part #	Qty	Part #					Part #	Notes
908015	80131	260110	No Replacement Repair With Individual Parts.						15					
908016	80132	260110	No Replacement Repair With Individual Parts.						15					
908017	80151	260276	93352	0049					15					
									34					
908018	80152	260276	93352	0049					15					
									34					
908019	80102	260257	93302	0016					15					
									34					
908020	80152	260276	93352	0049					15					
									17					
									34					
908021	80102	260257	93302	0016					15					
									34					
908022	80131	260489	No Replacement Repair With Individual Parts.						15					
908023	80152	260276	93352	0049					15					
									34					
908024	80131	260182	93332	0036					15					
									34					
908025	80102	260257	93302	0016					15					
									34					
908026	80102	260257	93302	0016					15					
									34					
908027	80132	260932	93332	0035					15					
									34					
908028	80131	260110	No Replacement Repair With Individual Parts.						15					
908029	80101	260492	93302	0017					15					
									34					
908031	80102	260257	93302	0016					15					
									34					
908032	80102	260257	93302	0016					15	All	3600			
									34					
908033	80102	260257	93302	0016					15					
									34					
908034	80102	260257	93302	0016					15					
									34					
908035	80101	260257	93302	0016					15					
									34					
908036	80132	260932	No Replacement Repair With Individual Parts.						15					
908037	80132	260932	93332	0035					15					
									34					
908038	80152	260276	93352	0049					15					
									34					
908039	80131	260489	No Replacement Repair With Individual Parts.						15	All	3400			
908040	80101	260257	93302	0016					15					
									34					
908041	80102	260257	93302	0016					15					
									34					
908042	80102	260257	93302	0016					15					
									34					
908043	80102	260257	93302	0016					15					
									34					
908044	80102	260257	93302	0016					15					
									34					
908045	80102	260257	93302	0016					15					
									34					
908046	80131	No Replacement Repair With Individual Parts.							15					
908047	80106	260257	93302	0016					15					
									34					

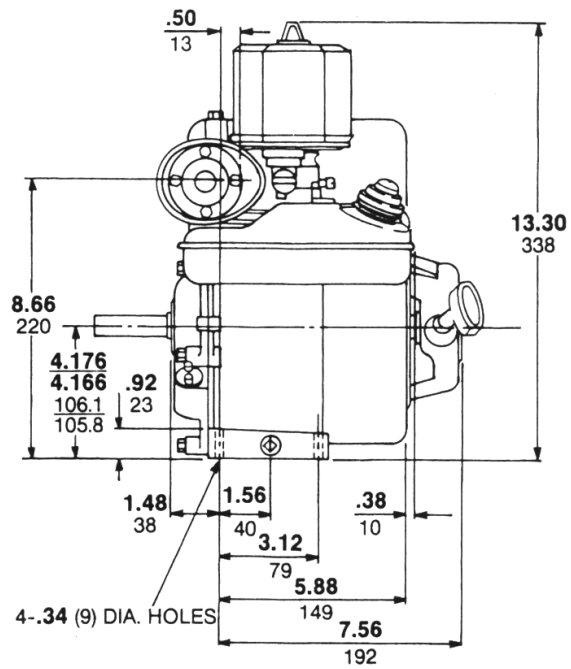
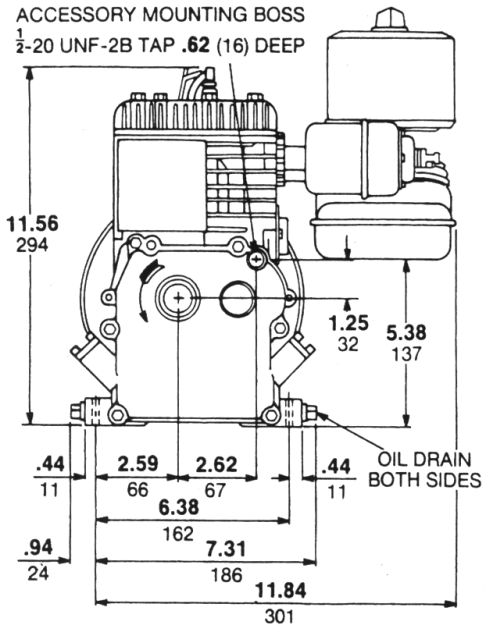
80100 to 80199

Original Engine			Make From		Remove		Add		Note	Change to Type	Trim	RPM	Short Block	
Type	Model	Crank	Model	Type #	Qty	Part #	Qty	Part #					Part #	Notes
908048	80136	260110	No Replacement Repair With Individual Parts.					15						
908049	80132	260489	No Replacement Repair With Individual Parts.					15						
908050	80102	260257	93302	0016					15					
									34					
908051	80102	260492	93302	0017					15					
									34					
908052	80102	260257	93302	0016					15					
									34					
908053	80102	260257	93302	0016					15	All	3300			
									34					
908054	80132	260489	No Replacement Repair With Individual Parts.					15						
908055	80152	260276	93352	0049					15	All	3600			
									34					
									113					
908056	80151	260276	93352	0049					15	All	2900			
									34					
908057	80101	260257	93302	0016					15	All	2600			
									34					
908058	80102	260257	93302	0016					15					
									34					
908059	80102	260257	93302	0016					15					
									34					
908060	80131	260107	93332	0035					15					
									34					
908061	80101	260257	93302	0016					15	All	2600			
									34					
908062	80102	260257	93302	0016					15					
									34					
908063	80152	260276	93352	0049					15	All	2800			
									17					
									34					
908064	80102	260257	93302	0016					15					
									34					
908065	80102	260492	93302	0017					15					
									34					
908066	80106	260492	93302	0017					15					
									34					
908067	80102	260257	93302	0016					15					
									34					
908068	80102	260492	93302	0017					15					
									34					
908069	80102	260257	93302	0016					15					
									34					
908070	80101	260257	93302	0016					15					
									34					
908071	80131	260107	93332	0035					15					
									34					
908072	80102	260257	93302	0016					15					
									34					
908073	80106	260257	93302	0016					15					
									34					
908074	80106	260257	93302	0016					15					
									34					
908075	80102	260257	93302	0016					15	All	3500			
									34					
908076	80102	260257	93302	0016					15	All	3500			
									34					

80100 to 80199

Original Engine			Make From		Remove		Add		Note	Change to Type	Trim	RPM	Short Block	
Type	Model	Crank	Model	Type #	Qty	Part #	Qty	Part #					Part #	Notes
908077	80102	260257	93302	0016					15 34		All	3600		
908078	80102	260257	93302	0016					15 34					
908079	80102	260257	93302	0016					15 34					
908080	80132	260489	No Replacement Repair With Individual Parts.						15		All	3800		
908081	80152	260276	No Replacement Repair With Individual Parts.						15					
908082	80102	260492	93302	0017					15 34					
908083	80102	260492	93302	0017					15 34					
908084	80102	260257	93302	0016					15 34					
908085	80102	260257	93302	0016					15 34					
908086	80102	260257	93302	0016					15 34					
908087	80131	260109	No Replacement Repair With Individual Parts.						15					
908088	80102	260257	93302	0016					15 34		All	3800		
908089	80102	260257	93302	0016					15 34					
908090	80102	260492	93302	0017					15 34					
908091	80102	260492	93302	0017					15 34					
908092	80132	260110	No Replacement Repair With Individual Parts.						15		All	3600		
908093	80102	260257	93302	0016					15 34		All	3000		
908094	80132	260489	No Replacement Repair With Individual Parts.						15					

MODEL 80100



MODEL 90000

