

60200 to 60299

SERVICE ENGINE  **SALES MANUAL**

**MODEL 60200 SERIES ENGINES REPLACED WITH
 STANDARD SERVICE ENGINES**

In most cases, the Original Type numbers shown may be replaced by a Service Type Number without making any changes. Necessary changes of engine parts such as crankshafts, reduction parts, blower housings, etc., are noted. Other differences, such as mufflers, elbows, deflectors, etc., are not listed but are very important for safety and engine performance. Be sure the exhaust system on the replacement engine duplicates the system originally selected by the equipment manufacturer. Parts that are suitable for additional use should be transferred. Before making any conversion, check the data shown in the column labeled "REMOVE, ADD and NOTE." See if the changes, which are shown, are actually necessary on the application in question. Often a standard service engine will be a WORKABLE replacement without converting to such things as a special fuel tank or starter position.

If the crankshaft number does not appear in the "Original Engine" column, consult the Illustrated Parts List for the correct service replacement crankshaft number.

Engine Replacement Notes:

NOTE 15: For all Go-Karts use only a Model 136200 series engine as a replacement, regardless of the original Model.

NOTE 17: Gear Red. @ 3 o'clock.

NOTE 34: If the replacement engine supersedes to or is a Model 90000 series engine, refer to the illustrations located after the conversion data for this model series. The overall dimensions which differ, are shown in the illustrations. If after making a visual inspection and it is determined the Model 93400 series engine cannot be used because of equipment interference, the original engine should be repaired with a short block and/or individual parts.

Short Block Notes:

The SHORT BLOCK part number shown, is the assembly which can be used to rebuild the Original Type Number. If a letter appears after the short block number, it indicates the short block must be modified. The change denoted by each letter is as follows:

60200 to 60299

Original Engine			Make From		Remove		Add		Note	Change to Type	Trim	RPM	Short Block	
Type	Model	Crank	Model	Type #	Qty	Part #	Qty	Part #					Part #	Notes
0015	60202	260271	93302	0017					15 34		All	3900		
0035	60232	260116	93332	0040					15 34					
0036	60232	260103	93332	0036					15 34					
0037	60232	260494	No Replacement Repair With Individual Parts.						15					
0110	60201	260272	93302	0017					15 34		All	3300		
0111	60202	260271	93302	0017					15 34		All	3300		
0113	60206	260271	93302	0017					15 34		All	3300		
0115	60211	260272	No Replacement Repair With Individual Parts.						15		All	3300		
0116	60212	260271	93312	0002					15 34		All	3300		
0120	60231	260036	93332	0036					15 34		All	3300		
0121	60232	260103	93332	0036					15 34		All	3300		
0125	60251	260043	93352	0049					15 34		All	3300		
0126	60252	260100	93352	0049					15 34		All	3300		
0132	60202	260271	93302	0017					15 34		All	3900		
0133	60231	260493	No Replacement Repair With Individual Parts.						15		All	3600		
0135	60202	260271	93302	0017					15 34		All	3300		

60200 to 60299

Original Engine			Make From		Remove		Add		Note	Change to Type	Trim	RPM	Short Block	
Type	Model	Crank	Model	Type #	Qty	Part #	Qty	Part #					Part #	Notes
0138	60232	260116	93332	0040					15 34		All	3300		
0139	60231	260036	93332	0036					15 34		All	3600		
0140	60232	260116	93332	0040					15 34		All	3300		
0141	60232	260494	No Replacement Repair With Individual Parts.						15		All	3300		
0142	60202	260271	93302	0017					15 34		All	3300		
0143	60232	260103	93332	0036					15 34		All	3300		
0144	60201	260272	93302	0017					15 34		All	3300		
0145	60232	260116	93332	0040					15 34		All	3600		
0146	60232	260116	93332	0040					15 34		All	3300		
0147	60231	260037	93332	0040					15 34		All	3300		
0148	60232	260494	No Replacement Repair With Individual Parts.						15		All	3600		
0149	60231	260037	93332	0040					15 34		All	3300		
0150	60201	260272	93302	0017					15 34		All	3600		
0151	60231	260037	93332	0040					15 34		All	3300		
0152	60231	260036	93332	0036					15 34		All	3600		
0153	60202	260271	93302	0017					15 34		All	3900		
0154	60201	260272	93302	0017					15 34		All	3300		
0155	60231	260103	93332	0036					15 34		All	3300		
0156	60202	260271	93302	0017					15 34					
0157	60252	260100	93352	0049					15 34		All	3300		
0158	60212	260271	93312	0002					15 34					
0159	60202	260271	93302	0017					15 34		All	3300		
0160	60232	260103	93332	0036					15 34		All	3900		
0161	60232	260495	No Replacement Repair With Individual Parts.						15		All	3600		
0162	60202	260271	93302	0017					15 34		All	3300		
0163	60231	260037	93352	0049					15 34		All	3600		
0164	60201	260272	93302	0017					15 34		All	3300		
0165	60231	260036	93332	0036					15 34		All	3600		
0166	60202	260271	93302	0017					15 34		All	3300		
0167	60231	260037	93332	0040					15 34		All	3600		

60200 to 60299

Original Engine			Make From		Remove		Add		Note	Change to Type	Trim	RPM	Short Block	
Type	Model	Crank	Model	Type #	Qty	Part #	Qty	Part #					Part #	Notes
0168	60212	260271	93312	0002					15 34		All	3900		
0170	60231	260036	93332	0036					15 34		All	3600		
0171	60231	260036	93332	0036					15 34		All	3300		
0172	60232	260103	93332	0036					15 34					
0173	60201	260272	93302	0017					15 34					
0174	60232	260103	93332	0036					15 34					
0175	60212	260271	93312	0002					15 34		All	4100		
0176	60252	260100	93352	0049					15 17 34		All	3600		
0177	60202	260271	93302	0017					15 34					
0178	60212	260271	93312	0002					15 34		All	4100		
0179	60231	260037	93332	0040					15 34					
0180	60232	260103	93332	0036					15 34		All	3300		
0181	60202	260271	93302	0017					15 34		All	3800		
0182	60202	260271	93302	0017					15 34		All	3300		
0183	60202	260271	93302	0017					15 34		All	3300		
0185	60202	260271	93302	0017					15 34		All	3600		
0186	60202	260271	93302	0017					15 34		All	3600		
0188	60232	260103	93332	0036					15 34					
0189	60202	260271	93302	0017					15 34		All	3300		
0190	60231	260493	No Replacement Repair With Individual Parts.						15		All	3300		
0191	60202	260271	93302	0017					15 34		All	3300		
0192	60202	260271	93302	0017					15 34		All	3800		
0194	60202	260271	93302	0017					15 34		All	3900		
0195	60202	260271	93302	0017					15 34		All	3000		
0196	60232	260494	No Replacement Repair With Individual Parts.						15		All	3900		
0197	60202	260271	93302	0017					15 34		All	3300		
0198	60202	260271	93302	0017					15					
0199	60252	260100	93352	0049					15 17 34		All	3400		
0200	60232	260494	No Replacement Repair With Individual Parts.						15					
0201	60231	260103	93332	0036					15 34		All	3300		

60200 to 60299

Original Engine			Make From		Remove		Add		Note	Change to Type	Trim	RPM	Short Block	
Type	Model	Crank	Model	Type #	Qty	Part #	Qty	Part #					Part #	Notes
0202	60212	260271	93312	0002					15 34		All	4100		
0203	60202	260271	93302	0017					15 34		All	3900		
0204	60232	260103	93332	0036					15 34		All	4000		
0205	60212	260271	93312	0002					15 34		All	3600		
9136	60231	260036	No Replacement Repair With Individual Parts.						15		All	3300		
9137	60232	260103	No Replacement Repair With Individual Parts.						15		All	3300		
9138	60232	260118	No Replacement Repair With Individual Parts.						15		All	3600		
9184	60232	260116	No Replacement Repair With Individual Parts.						15		All	4000		
9187	60232	260116	No Replacement Repair With Individual Parts.						15		All	4000		
9193	60232	260116	No Replacement Repair With Individual Parts.						15		All	3300		
949010	60201	260272	93302	0017					15 34					
949011	60202	260271	93302	0017					15 34					
949012	60203	260272	93302	0017					15 34					
949013	60206	260272	93302	0017					15 34					
949015	60231	260036	93332	0036					15 34					
949016	60232	260103	93332	0036					15 34					
949017	60233	260036	93332	0036					15 34					
949018	60236	260103	93332	0036					15 34					
949020	60251	260043	93352	0049					15 34					
949021	60252	260100	93352	0049					15 34					
949022	60253	260043	93352	0049					15 34					
949023	60256	260100	93352	0049					15 34					
949025	60292	260271	No Replacement Repair With Individual Parts.						15					
949026	60296	260271	No Replacement Repair With Individual Parts.						15					
949027	60201	260272	93302	0017					15 34					
949028	60202	260271	93302	0017					15 34					
949029	60203	260272	93302	0017					15 34					
949030	60206	260271	93302	0017					15 34					
949031	60231	260036	No Replacement Repair With Individual Parts.						15					
949032	60232	260103	No Replacement Repair With Individual Parts.						15					
949033	60233	260036	No Replacement Repair With Individual Parts.						15					
949034	60236	260103	No Replacement Repair With Individual Parts.						15					
949035	60251	260043	No Replacement Repair With Individual Parts.						15					
949036	60252	260100	No Replacement Repair With Individual Parts.						15					
949037	60253	260043	No Replacement Repair With Individual Parts.						15					
949038	60256	260100	No Replacement Repair With Individual Parts.						15					
949039	60292	260271	No Replacement Repair With Individual Parts.						15					
949040	60296	260271	No Replacement Repair With Individual Parts.						15					

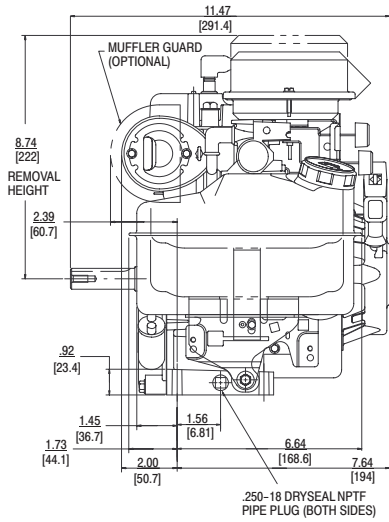
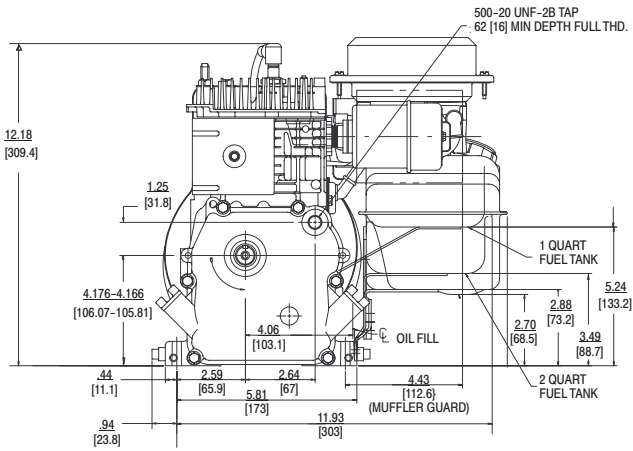
60200 to 60299

Original Engine			Make From		Remove		Add		Note	Change to Type	Trim	RPM	Short Block	
Type	Model	Crank	Model	Type #	Qty	Part #	Qty	Part #					Part #	Notes
949041	60231	260036	93332	0036					15 34		All	3500		
949046	60232	260116	93332	0040					15 34					
949047	60202	260271	93302	0017					15 34					
949048	60202	260271	93302	0017					15 34					
949049	60232	260494	No Replacement Repair With Individual Parts.						15		All	3200		
949050	60202	260271	93302	0017					15 34		All	3600		
949051	60202	260271	93302	0017					15 34					
949052	60202	260271	93302	0017					15 34					
949054	60232	260103	93332	0036					15 34					
949055	60232	260494	No Replacement Repair With Individual Parts.						15					
949056	60232	260118	No Replacement Repair With Individual Parts.						15					
949057	60202	260271	93302	0017					15 34					
949058	60232	260103	93332	0036					15 34					
949059	60202	260271	93302	0017					15 34					
949060	60252	260100	No Replacement Repair With Individual Parts.						15					
949061	60232	260103	93332	0036					15 34		All	3600		
949062	60231	260036	93332	0036					15 34					
949063	60231	260037	93332	0040					15 34					
949064	60232	260116	93332	0040					15 34					
949065	60232	260116	93332	0040					15 34					
949066	60202	260271	93302	0017					15 34					
949067	60232	260116	93332	0040					15 34					
949068	60201	260272	93302	0017					15 34					
949069	60232	260103	93332	0036					15 34		All	3900		
949070	60231	260036	93332	0036					15 34					
949071	60231	260036	93332	0036					15 34					
949072	60202	260271	93302	0017					15 34					
949073	60201	260272	93302	0017					15 34					
949074	60231	260036	93332	0036					15 34					
949075	60201	260272	93302	0017					15 34		All	3600		
949076	60202	260271	93302	0017					15 34					

60200 to 60299

Original Engine			Make From		Remove		Add		Note	Change to Type	Trim	RPM	Short Block	
Type	Model	Crank	Model	Type #	Qty	Part #	Qty	Part #					Part #	Notes
949077	60232	260116	93332	0040					15 34					
949078	60231	260493	No Replacement Repair With Individual Parts.						15	All	3600			
949079	60232	260103	93332	0036					15 34					
949080	60232	260494	No Replacement Repair With Individual Parts.						15					
949081	60232	260116	93332	0040					15 34					
949082	60231	260036	93332	0036					15 34	All	4000			
949083	60202	260271	93302	0017					15 34					
949084	60206	260271	93302	0017					15 34					
949085	60232	260494	No Replacement Repair With Individual Parts.						15	All	3600			
949086	60231	260037	93332	0040					15 34	All	3600			
949087	60212	260271	93312	0002					15 34					
949088	60202	260271	93302	0017					15 34					
949089	60231	260037	93332	0040					15 34					
949090	60231	260037	93332	0040					15 34					
949091	60202	260271	93302	0017					15 34					
949092	60202	260271	93302	0017					15 34					
949093	60232	260116	93332	0040					15 34					

MODEL 60200



MODEL 90000

