

**131400 to 131499**

**SERVICE ENGINE**



**SALES MANUAL**

**MODEL 131400 SERIES ENGINES REPLACED WITH  
 STANDARD SERVICE ENGINES**

In most cases, the Original Type numbers shown may be replaced by a Service Type Number without making any changes. Necessary changes of engine parts such as crankshafts, reduction parts, blower housings, etc., are noted. Other differences, such as mufflers, elbows, deflectors, etc., are not listed but are very important for safety and engine performance. Be sure the exhaust system on the replacement engine duplicates the system originally selected by the equipment manufacturer. Parts that are suitable for additional use should be transferred. Before making any conversion, check the data shown in the column labeled "REMOVE, ADD and NOTE." See if the changes, which are shown, are actually necessary on the application in question. Often a standard service engine will be a WORKABLE replacement without converting to such things as a special fuel tank or starter position.

If the crankshaft number does not appear in the "Original Engine" column, consult the Illustrated Parts List for the correct service replacement crankshaft number.

**Engine Replacement Notes:**

- NOTE 15:** For all Go-Karts use only a Model 136200 series engine as a replacement, regardless of the original Model.
- NOTE 16:** Gear Red. @ 12 o'clock.
- NOTE 22:** If the gear reduction parts are suitable for additional service, use model 121412 type no. 0014 and transfer the reduction parts from the original engine.
- NOTE 25:** If the replacement engine supersedes to or is a Model 120000 series engine, refer to the illustrations located after the conversion data for this model series. The overall dimensions that differ, are shown in the illustrations. If after making a visual inspection and it is determined the Model 120000 series engine cannot be used because of equipment interference, the original engine should be repaired with individual parts.

**Short Block Notes:**

The SHORT BLOCK part number shown, is the assembly which can be used to rebuild the Original Type Number. If a letter appears after the short block number, it indicates the short block must be modified. The change denoted by each letter is as follows:

**131400 to 131499**

| Original Engine |        |        | Make From                                    |        | Remove |        | Add |        | Note     | Change to Type | Trim     | RPM          | Short Block |       |
|-----------------|--------|--------|--|--------|--------|--------|-----|--------|----------|----------------|----------|--------------|-------------|-------|
| Type            | Model  | Crank  | Model  | Type # | Qty    | Part # | Qty | Part # |          |                |          |              | Part #      | Notes |
| 0110            | 131431 | 397092 | 121332                                       | 0036   |        |        |     |        | 15<br>25 |                | 01<br>02 | 3600<br>3000 |             |       |
| 0111            | 131432 | 397092 | 121332                                       | 0036   |        |        |     |        | 15<br>25 |                | All      | 3600         |             |       |
| 0130            | 131431 | 397092 | 121332                                       | 0036   |        |        |     |        | 15<br>25 |                | All      | 3600         |             |       |
| 0131            | 131431 | 397092 | 121332                                       | 0036   |        |        |     |        | 15<br>25 |                | All      | 3600         |             |       |
| 0132            | 131432 | 397092 | No Replacement Repair With Individual Parts. |        |        |        |     |        | 15       |                | 01       | 3600         |             |       |
| 0133            | 131431 | 397092 | 121332                                       | 0036   |        |        |     |        | 15<br>25 |                | All      | 3600         |             |       |
| 0134            | 131432 | 397092 | 121332                                       | 0036   |        |        |     |        | 15<br>25 |                | All      | 3600         |             |       |
| 0135            | 131432 | 393849 | No Replacement Repair With Individual Parts. |        |        |        |     |        |          |                | All      | 3600         | 694196      |       |
| 0136            | 131432 | 397092 | 121332                                       | 0036   |        |        |     |        | 15<br>25 |                | All      | 3600         |             |       |
| 0137            | 131432 | 397092 | No Replacement Repair With Individual Parts. |        |        |        |     |        |          |                | All      | 3600         |             |       |
| 0138            | 131432 | 397092 | 121332                                       | 0036   |        |        |     |        | 15<br>25 |                | All      | 3600         |             |       |
| 0139            | 131432 | 393849 | 121332                                       | 0033   |        |        |     |        | 15<br>25 |                | All      | 3800         | 694196      |       |
| 0140            | 131432 | 397092 | 121332                                       | 0036   |        |        |     |        | 15<br>25 |                | All      | 3600         |             |       |
| 0141            | 131432 | 397092 | No Replacement Repair With Individual Parts. |        |        |        |     |        | 15       |                | All      | 3600         |             |       |
| 0142            | 131432 | 397092 | No Replacement Repair With Individual Parts. |        |        |        |     |        | 15       |                | All      | 3600         |             |       |
| 0143            | 131432 | 393849 | 121332                                       | 0033   |        |        |     |        | 15<br>25 |                | All      | 3150         | 694196      |       |
| 0144            | 131432 | 397092 | No Replacement Repair With Individual Parts. |        |        |        |     |        | 15       |                | All      | 3600         |             |       |

131400 to 131499

| Original Engine |        |        | Make From                                    |        | Remove |        | Add |        | Note                 | Change to Type | Trim | RPM  | Short Block |       |
|-----------------|--------|--------|--|--------|--------|--------|-----|--------|----------------------|----------------|------|------|-------------|-------|
| Type            | Model  | Crank  | Model  | Type # | Qty    | Part # | Qty | Part # |                      |                |      |      | Part #      | Notes |
| 0145            | 131431 | 393849 | 121432                                       | 0033   |        |        |     |        | 15<br>25             |                | All  | 3100 | 694196      |       |
| 0146            | 131432 | 393849 | No Replacement Repair With Individual Parts. |        |        |        |     |        | 15                   |                | All  | 3600 | 694196      |       |
| 0147            | 131431 | 393847 | 121332                                       | 0035   |        |        |     |        | 15<br>25             |                | All  | 3600 | 694195      |       |
| 0148            | 131432 | 393847 | No Replacement Repair With Individual Parts. |        |        |        |     |        | 15                   |                | All  | 3600 | 694195      |       |
| 0149            | 131431 | 394403 | No Replacement Repair With Individual Parts. |        |        |        |     |        |                      |                | All  | 3600 |             |       |
| 0150            | 131432 | 397092 | 121332                                       | 0036   |        |        |     |        | 15<br>25             |                | All  | 4000 |             |       |
| 0153            | 131431 | 397092 | 121332                                       | 0036   |        |        |     |        | 15<br>25             |                | All  | 3600 |             |       |
| 0154            | 131431 | 397092 | 121332                                       | 0036   |        |        |     |        | 15<br>25             |                | All  | 3600 |             |       |
| 0155            | 131432 | 397092 | 121332                                       | 0036   |        |        |     |        | 15<br>25             |                | All  | 3600 |             |       |
| 0156            | 131432 | 393849 | No Replacement Repair With Individual Parts. |        |        |        |     |        | 15                   |                | All  | 3100 | 694196      |       |
| 0157            | 131432 | 397092 | 121332                                       | 0036   |        |        |     |        | 15<br>25             |                | All  | 4000 |             |       |
| 0158            | 131432 | 393849 | 121332                                       | 0033   |        |        |     |        | 15<br>25             |                | All  | 3100 | 694196      |       |
| 0159            | 131432 | 393847 | 121332                                       | 0035   |        |        |     |        | 15<br>25             |                | All  | 3600 | 694195      |       |
| 0160            | 131431 | 397092 | 121332                                       | 0036   |        |        |     |        | 15<br>25             |                | All  | 3600 |             |       |
| 0161            | 131432 | 393849 | 121332                                       | 0033   |        |        |     |        | 15<br>25             |                | All  | 3100 | 694196      |       |
| 0162            | 131431 | 393849 | No Replacement Repair With Individual Parts. |        |        |        |     |        | 15                   |                | All  | 3750 | 694196      |       |
| 0163            | 131452 | 394295 | No Replacement Repair With Individual Parts. |        |        |        |     |        | 15                   |                | All  | 4000 |             |       |
| 0164            | 131432 | 397092 | 121332                                       | 0036   |        |        |     |        | 15<br>25             |                | All  | 3600 |             |       |
| 0165            | 131432 | 393847 | 121432                                       | 0035   |        |        |     |        | 15<br>25             |                | All  | 3600 | 694195      |       |
| 0166            | 131431 | 397092 | No Replacement Repair With Individual Parts. |        |        |        |     |        | 15                   |                | All  | 3600 |             |       |
| 0167            | 131431 | 397092 | No Replacement Repair With Individual Parts. |        |        |        |     |        | 15                   |                | All  | 3300 |             |       |
| 0168            | 131431 | 397092 | 121332                                       | 0036   |        |        |     |        | 15<br>25             |                | All  | 2800 |             |       |
| 0169            | 131431 | 397092 | 121332                                       | 0036   |        |        |     |        | 15<br>25             |                | All  | 3600 |             |       |
| 0170            | 131432 | 397092 | 121332                                       | 0036   |        |        |     |        | 15<br>25             |                | All  | 3600 |             |       |
| 0171            | 131431 | 397092 | 121332                                       | 0036   |        |        |     |        | 15<br>25             |                | All  | 3000 |             |       |
| 0172            | 131432 | 393847 | 121332                                       | 0035   |        |        |     |        | 15<br>25             |                | All  | 3600 | 694195      |       |
| 0173            | 131431 | 393847 | 121332                                       | 0035   |        |        |     |        | 15<br>25             |                | All  | 3600 | 694195      |       |
| 0174            | 131431 | 397092 | 121332                                       | 0036   |        |        |     |        | 15<br>25             |                | All  | 3600 |             |       |
| 0175            | 131451 | 394295 | 121352                                       | 0049   |        |        |     |        | 15<br>16<br>22<br>25 |                | All  | 3600 |             |       |
| 0176            | 131451 | 394295 | 121352                                       | 0049   |        |        |     |        | 15<br>16<br>22<br>25 |                | All  | 3600 |             |       |
| 0177            | 131432 | 397092 | 121332                                       | 0036   |        |        |     |        | 15<br>25             |                | All  | 3600 |             |       |

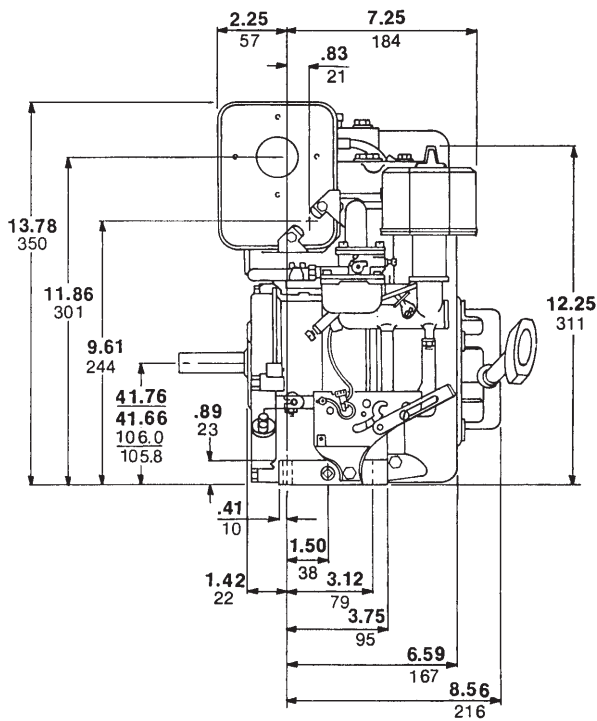
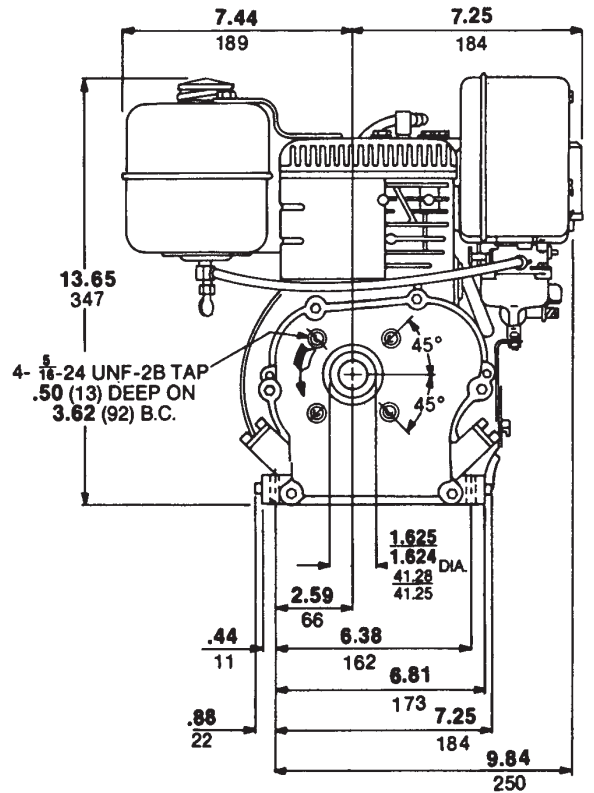
131400 to 131499

| Original Engine |        |        | Make From                                    |        | Remove |        | Add |        | Note           | Change to Type | Trim | RPM  | Short Block |       |
|-----------------|--------|--------|--|--------|--------|--------|-----|--------|----------------|----------------|------|------|-------------|-------|
| Type            | Model  | Crank  | Model  | Type # | Qty    | Part # | Qty | Part # |                |                |      |      | Part #      | Notes |
| 0178            | 131432 | 397092 | 121332                                       | 0036   |        |        |     |        | 15<br>25       |                | All  | 3600 |             |       |
| 0179            | 131432 | 397092 | 121332                                       | 0036   |        |        |     |        | 15<br>25       |                | All  | 3600 |             |       |
| 0180            | 131431 | 393849 | 121332                                       | 0033   |        |        |     |        | 15<br>25       |                | All  | 3600 | 694196      |       |
| 0181            | 131432 | 393849 | No Replacement Repair With Individual Parts. |        |        |        |     |        | 15             |                | All  | 3150 | 694196      |       |
| 0182            | 131432 | 393849 | No Replacement Repair With Individual Parts. |        |        |        |     |        | 15             |                | All  | 3750 | 694196      |       |
| 0183            | 131492 | 395525 | No Replacement Repair With Individual Parts. |        |        |        |     |        | 15             |                | All  | 3600 |             |       |
| 0184            | 131432 | 393847 | No Replacement Repair With Individual Parts. |        |        |        |     |        | 15             |                | All  | 4000 | 694195      |       |
| 0185            | 131432 | 393849 | 121332                                       | 0033   |        |        |     |        | 15<br>25       |                | All  | 3600 | 694196      |       |
| 0186            | 131432 | 393847 | 121332                                       | 0035   |        |        |     |        | 15<br>25       |                | All  | 4000 | 694195      |       |
| 0187            | 131431 | 393849 | No Replacement Repair With Individual Parts. |        |        |        |     |        | 15             |                | All  | 3100 | 694196      |       |
| 0188            | 131432 | 393849 | No Replacement Repair With Individual Parts. |        |        |        |     |        | 15             |                | All  | 3100 | 694196      |       |
| 0189            | 131432 | 397092 | No Replacement Repair With Individual Parts. |        |        |        |     |        | 15             |                | All  | 3400 |             |       |
| 0190            | 131436 | 395651 | No Replacement Repair With Individual Parts. |        |        |        |     |        | 15             |                | All  | 3600 |             |       |
| 0191            | 131432 | 393847 | No Replacement Repair With Individual Parts. |        |        |        |     |        | 15             |                | All  | 3600 | 694195      |       |
| 0192            | 131452 | 394295 | 121352                                       | 0049   |        |        |     |        | 15<br>25       |                | All  | 3200 |             |       |
| 0193            | 131432 | 393849 | No Replacement Repair With Individual Parts. |        |        |        |     |        | 15             |                | All  | 3100 | 694196      |       |
| 0194            | 131437 | 395651 | No Replacement Repair With Individual Parts. |        |        |        |     |        | 15             |                | All  | 3600 |             |       |
| 0195            | 131432 | 397092 | 121332                                       | 0036   |        |        |     |        | 15<br>25       |                | All  | 3400 |             |       |
| 0196            | 131432 | 397092 | 121332                                       | 0036   |        |        |     |        | 15<br>25       |                | All  | 3400 |             |       |
| 0197            | 131432 | 397092 | 121332                                       | 0036   |        |        |     |        | 15<br>25       |                | All  | 3400 |             |       |
| 0300            | 131431 | 397092 | 121332                                       | 0036   |        |        |     |        | 15<br>25       |                | All  | 3600 |             |       |
| 0301            | 131432 | 397092 | 121332                                       | 0036   |        |        |     |        | 15<br>25       |                | All  | 3600 |             |       |
| 0302            | 131432 | 397092 | 121332                                       | 0036   |        |        |     |        | 15<br>25       |                | All  | 3600 |             |       |
| 0303            | 131452 | 394295 | 121352                                       | 0049   |        |        |     |        | 15<br>22<br>25 |                | All  | 3600 |             |       |
| 0304            | 131492 | 395525 | No Replacement Repair With Individual Parts. |        |        |        |     |        | 15             |                | All  | 3600 |             |       |
| 0305            | 131432 | 397092 | No Replacement Repair With Individual Parts. |        |        |        |     |        | 15             |                | All  | 3600 |             |       |
| 0306            | 131431 | 397092 | 121332                                       | 0036   |        |        |     |        | 15<br>25       |                | All  | 3000 |             |       |
| 0307            | 131431 | 397092 | 121332                                       | 0036   |        |        |     |        | 15<br>25       |                | All  | 3600 |             |       |
| 2034            | 131431 | 397092 | 121332                                       | 0036   |        |        |     |        | 15<br>25       |                | All  | 4000 |             |       |
| 2035            | 131432 | 393847 | 121332                                       | 0035   |        |        |     |        | 15<br>25       |                | All  | 4000 | 694195      |       |
| 2036            | 131432 | 397092 | 121332                                       | 0036   |        |        |     |        | 15<br>25       |                | All  | 4000 |             |       |
| 2038            | 131432 | 393849 | 121332                                       | 0033   |        |        |     |        | 15<br>25       |                | All  | 3700 | 694196      |       |
| 2049            | 131452 | 394295 | 121352                                       | 0049   |        |        |     |        | 15<br>22<br>25 |                | All  | 4000 |             |       |
| 2080            | 131431 | 393847 | No Replacement Repair With Individual Parts. |        |        |        |     |        | 15             |                | All  | 4000 | 694195      |       |
| 2081            | 133431 | 397092 | No Replacement Repair With Individual Parts. |        |        |        |     |        | 15             |                | All  | 4000 |             |       |
| 2085            | 133432 | 393849 | No Replacement Repair With Individual Parts. |        |        |        |     |        | 15             |                | All  | 3750 | 694196      |       |

**131400 to 131499**

| Original Engine |        |        | Make From |        | Remove |        | Add |        | Note     | Change to Type | Trim | RPM  | Short Block |       |
|-----------------|--------|--------|-----------|--------|--------|--------|-----|--------|----------|----------------|------|------|-------------|-------|
| Type            | Model  | Crank  | Model     | Type # | Qty    | Part # | Qty | Part # |          |                |      |      | Part #      | Notes |
| 2134            | 131431 | 397092 | 121332    | 0036   |        |        |     |        | 15<br>25 |                | All  | 4000 |             |       |

**MODEL 131400**



**MODEL 120000**

