



9M900

Illustrated Parts List

Model Series

9M900

TYPE NUMBERS
0005, 0015, 0016, 0018
0112.

TABLE OF CONTENTS

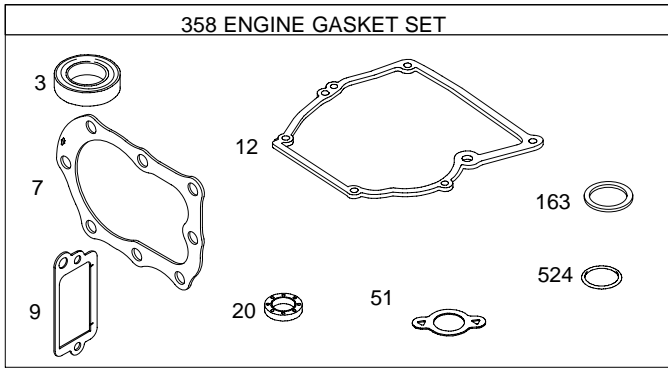
Air Cleaner	5
Blower Housing	6
Brake	5
Cams	3
Carburetor	4
Controls	5
Covers	5
Crankcase Cover/Sump	3
Crankshaft	3
Cylinder	2
Flywheel	6
Fuel Tank	4
Gasket Sets-Engine/Valve	2
Governor Spring	5
Head	2
Ignition	5
Muffler Group	5
Oil	2
Piston Group	3
Rewind	6
Valves	3



PRINTED IN U.S.A.

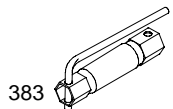
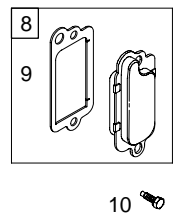
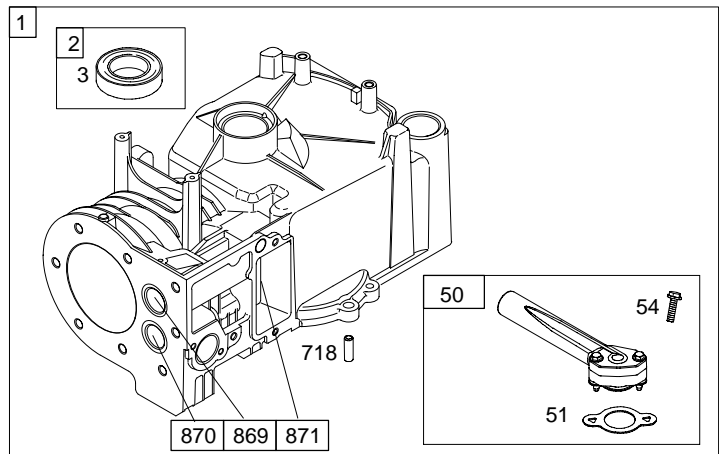
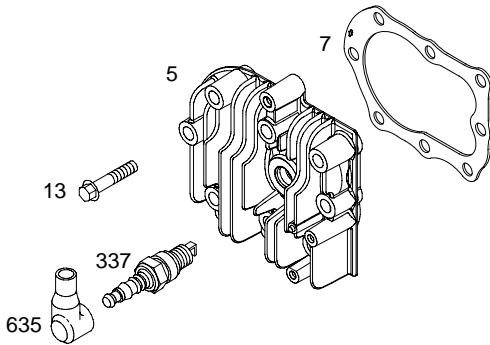
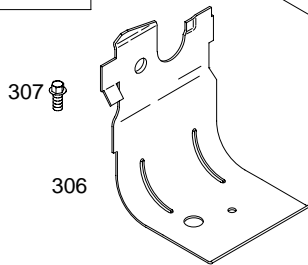
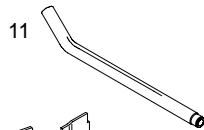
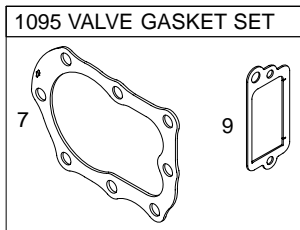
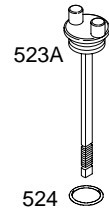
COPYRIGHT by BRIGGS & STRATTON CORPORATION
All rights reserved. No part of this material may be reproduced or transmitted, in any form or by any means, electronic or mechanical, including photocopying, recording or by any information storage and retrieval system, without permission in writing from Briggs & Stratton Corporation.

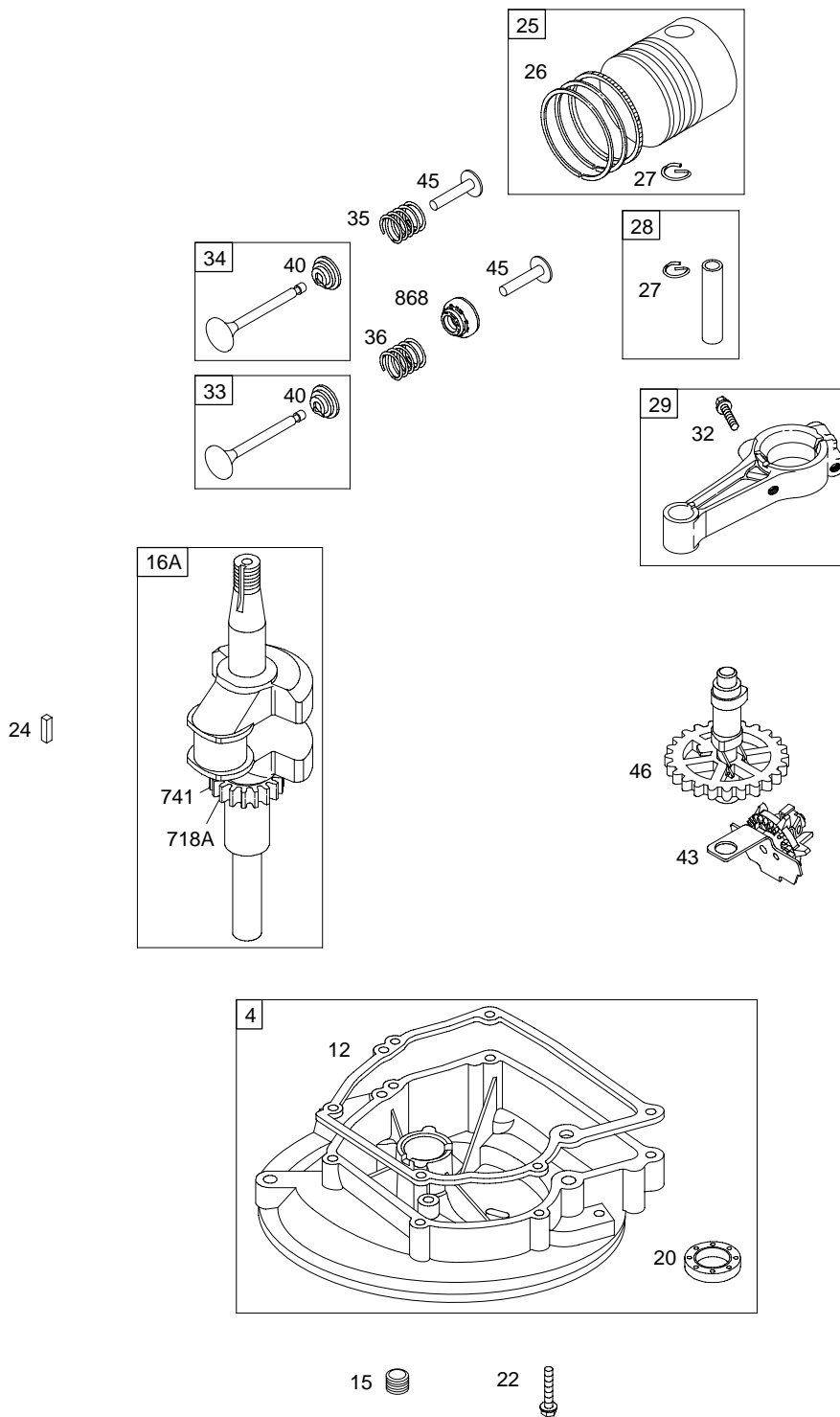
9M900



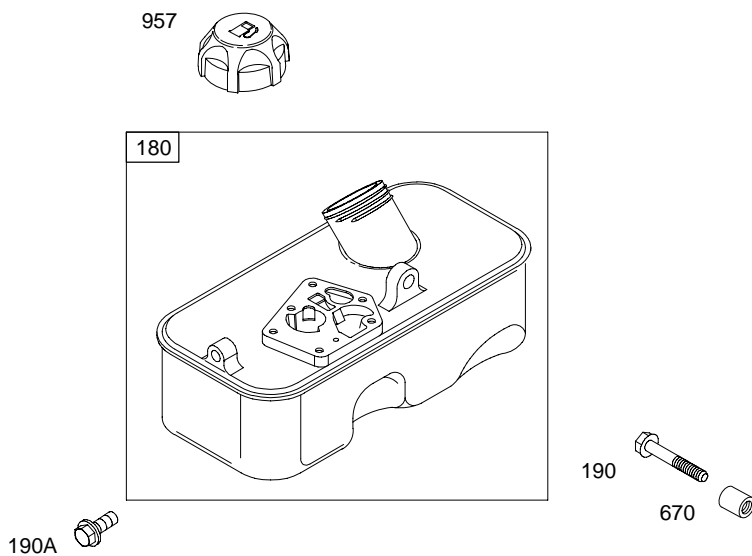
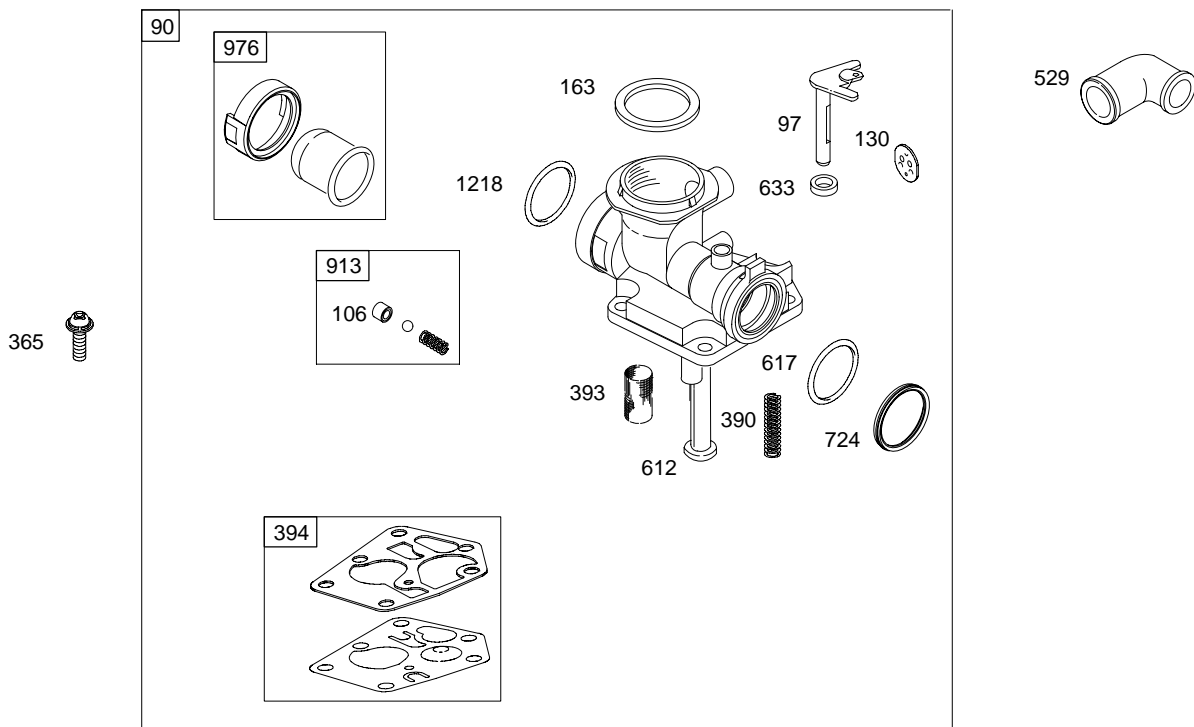
1058 OWNER'S MANUAL

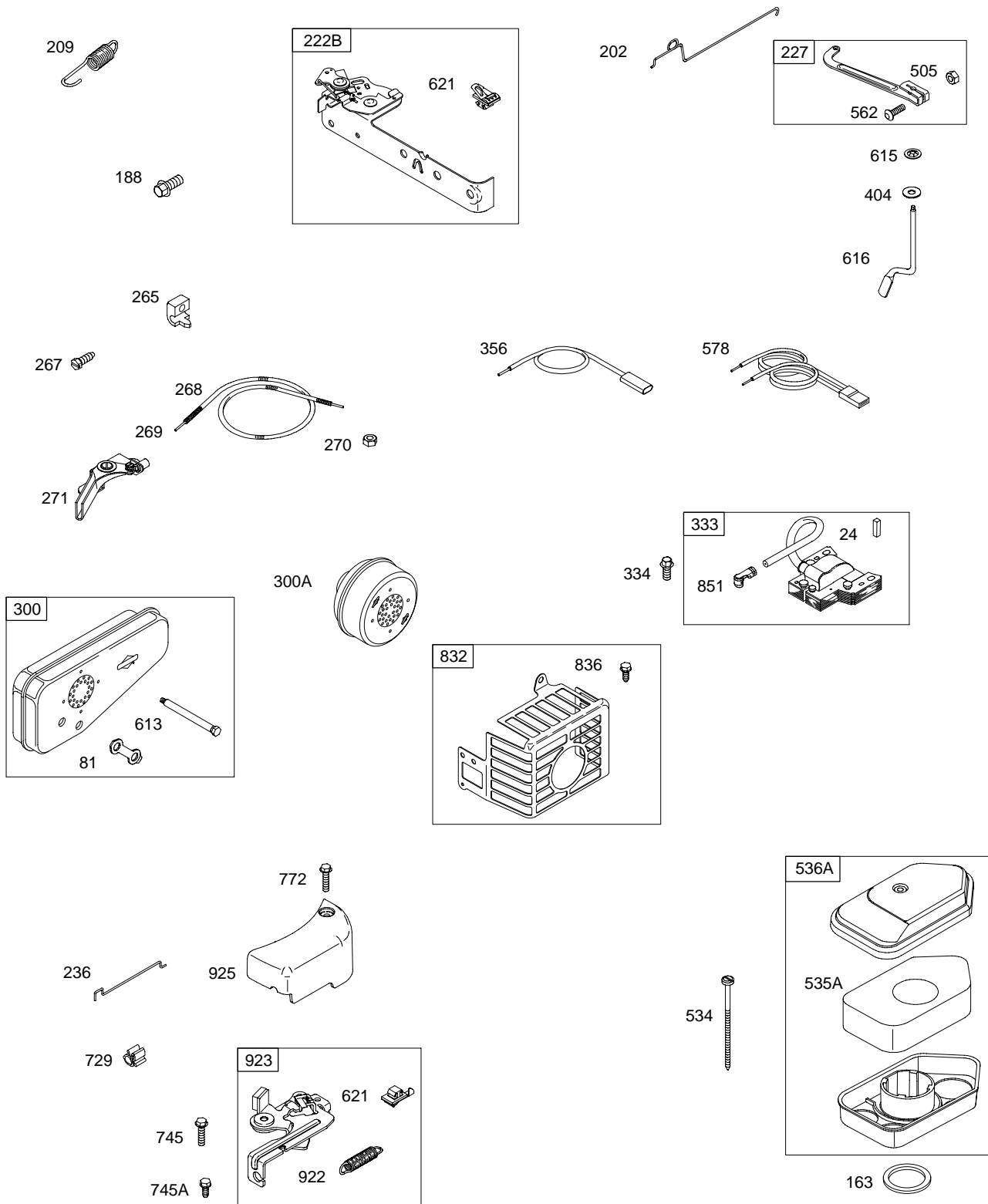
1330 REPAIR MANUAL



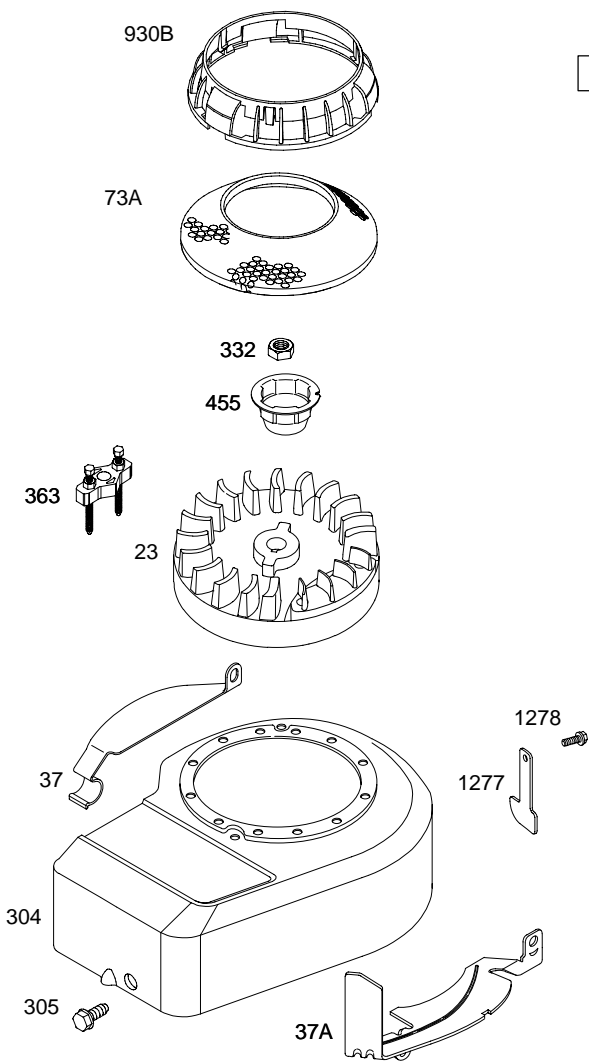


9M900





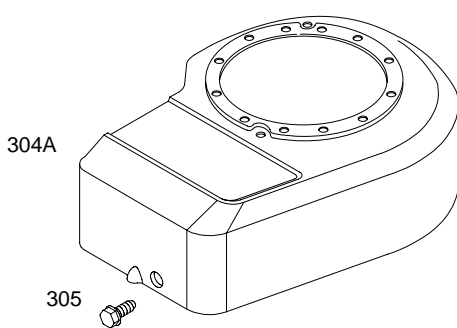
9M900



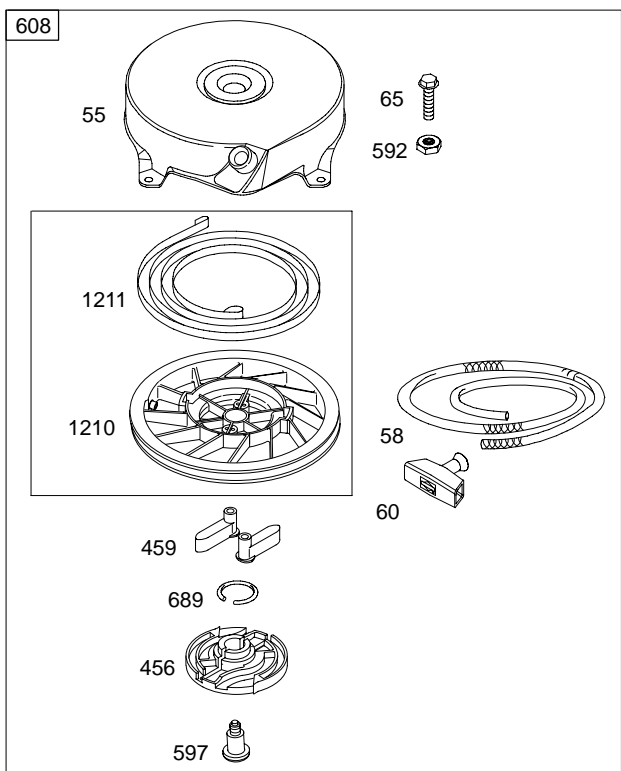
COMPLIANCE

1036 EMISSIONS LABEL

1019 LABEL KIT



NON COMPLIANCE



9M900

REF. NO.	PART NO.	DESCRIPTION	REF. NO.	PART NO.	DESCRIPTION	REF. NO.	PART NO.	DESCRIPTION
1	699650	Cylinder Assembly	25	790908	Piston Assembly (Standard) (Used After Code Date 04111400).	27	691588	Lock-Piston Pin
2	399269	Kit-Bushing/Seal (Magneto Side)				28	699659	Pin-Piston
3	*299819	Seal-Oil (Magneto Side)				29	699655	Rod-Connecting (Used After Code Date 03093000).
4	698691	Sump-Engine						----- Note -----
5	790169	Head-Cylinder						699657 Piston Assembly (Standard) (Used After Code Date 03072800 and Before Code Date 04111500).
7	*Δ698717	Gasket-Cylinder Head						----- Note -----
8	699640	Breather Assembly						699654 Rod-Connecting (Standard) (Used After Code Date 03072700 and Before Code Date 03100100).
9	*Δ695890	Gasket-Breather						294367 Rod-Connecting (Standard) (Used Before Code Date 03072800).
10	691666	Screw (Breather Assembly)						
11	691245	Tube-Breather						
12	*692218	Gasket-Crankcase (.015" Thick) (Standard)	26	790909	Ring Set (Standard) (Used After Code Date 04111400).			
		----- Note -----						
		270895 Gasket-Crankcase (.005" Thick)				32	691664	Screw (Connecting Rod)
		270896 Gasket-Crankcase (.009" Thick)				33	296676	Valve-Exhaust
						34	296677	Valve-Intake
13	691640	Screw (Cylinder Head)				35	690520	Spring-Valve (Intake)
15	691680	Plug-Oil Drain				36	690520	Spring-Valve (Exhaust)
16A	692990	Crankshaft Used on Type No(s). 0015.				37	697403	Guard-Flywheel (Carburetor Side)
		----- Note -----				37A	691209	Guard-Flywheel (Muffler Side)
		492086 Crankshaft Used on Type No(s). 0016, 0112.				40	692194	Retainer-Valve
		692991 Crankshaft Used on Type No(s). 0005, 0018.				43	697799	Slinger-Governor/Oil
						45	691762	Tappet-Valve
20	*391483	Seal-Oil (PTO Side)				46	691998	Camshaft
22	692551	Screw (Crankcase Cover/Sump)				50	699644	Manifold-Intake
23	692009	Flywheel Used on Type No(s). 0015, 0016, 0018.				51	*699649	Gasket-Intake
		----- Note -----				54	691111	Screw (Intake Manifold)
		690843 Flywheel Used on Type No(s). 0005, 0112.				55	692144	Housing-Rewind Starter
24	222698	Key-Flywheel				58	697316	Rope-Starter (88 5/8" Long) Used on Type No(s). 0015, 0016, 0018.
								----- Note -----
								691921 Rope-Starter (70" Long) Used on Type No(s). 0005, 0112.
						60	691915	Grip-Starter Rope
						65	690837	Screw (Rewind Starter)

* Engine Gasket Set-Reference 358

Valve Gasket Set-Reference 1095

9M900

REF. NO.	PART NO.	DESCRIPTION	REF. NO.	PART NO.	DESCRIPTION	REF. NO.	PART NO.	DESCRIPTION
73A	699850	Screen-Rotating	300	692307	Muffler	535A	698369	Filter-Air Cleaner
81	691179	Lock-Muffler Screw			(Super Lo Tone)			Foam
90	790206	Carburetor			Used on Type No(s).	536A	698472	Cleaner-Air
		Used on Type No(s).			0015, 0016, 0018.	562	92613	Bolt
		----- Note -----	300A	394569	Muffler			(Governor
		791384 Carburetor			(Round Lo Tone)			Control Lever)
		Used on Type No(s).			Used on Type No(s).	578	398153	Wire Assembly
		0005, 0112.	304	698046	Housing-Blower			Used on Type No(s).
97	697414	Shaft-Throttle			(Compliance Engines)	592	690800	Nut
106	691901	Seat-Inlet			Used on Type No(s).			(Rewind Starter)
130	691190	Valve-Throttle			0015, 0016, 0018.	597	691696	Screw
163	★271139	Gasket-Air Cleaner	304A	791392	Housing-Blower			(Pawl Friction Plate)
180	494406	Tank-Fuel			(Non Compliance)	608	499706	Starter-Rewind
188	692198	Screw			Used on Type No(s).	612	496046	Tube-Pick Up
		(Control Bracket)			0005, 0112.	613	691413	Screw
190	691640	Screw	305	692198	Screw			(Muffler)
		(Fuel Tank)			(Blower Housing)	615	690340	Retainer-Governor
		(To Cylinder)	306	690400	Shield-Heat			Shaft
190A	692198	Screw	307	690345	Screw	616	697405	Crank-Governor
		(Fuel Tank)			(Heat Shield)	617	270344	Seal-O Ring
		(7/16" Long)	332	690662	Nut			(Intake Manifold)
202	698835	Link-Mechanical			(Flywheel)	621	692310	Switch-Stop
		Governor	333	496914	Armature-Magneto	633	691321	Seal-Choke/Throttle
209	698719	Spring-Governor	334	691061	Screw			Shaft
		(Light Blue)			(Magneto Armature)			(Throttle)
		Used on Type No(s).	337	697451	Plug-Spark	670	691633	Spacer-Fuel Tank
		0015, 0016, 0018.	356	692390	Wire-Stop	689	691855	Spring-Friction
		----- Note -----			Used on Type No(s).	718	690959	Pin-Locating
		790220 Spring-			0005, 0112.			(Cylinder)
		Governor	358	699933	Gasket Set-Engine	718A	499047	Pin-Locating
		(Black)	363	19069	Puller-Flywheel			(Crankshaft)
		Used on Type No(s).	365	790029	Screw	724	697478	Retainer-Seal
		0005, 0112.			(Carburetor)	729	690586	Clip-Wire
222B	699326	Bracket-Control	383	89838	Wrench-Spark Plug	741	691805	Gear-Timing
227	697402	Lever-Governor	390	691839	Spring-Choke	745	691146	Screw
		Control			Diaphragm			(Brake)
236	691867	Link-Lockout	393	691837	Screen-Carburetor			(7/8" Long)
		Used on Type No(s).	394	495770	Diaphragm-Carburetor	745A	690859	Screw
		0015, 0016, 0018.	404	690272	Washer			(Brake)
265	690798	Clamp-Casing			(Governor Crank)			(1/2" Long)
267	691044	Screw	455	691236	Cup-Flywheel	772	691111	Screw
		(Casing Clamp)	456	692299	Plate-Pawl Friction			(Linkage Cover)
268	691072	Casing-Control Wire	459	281505	Pawl-Ratchet	832	699670	Guard-Muffler
		(Cut to	505	691251	Nut			Used on Type No(s).
		Required Length)			(Governor			0005, 0112.
269	691026	Wire-Control	523A	691913	Dipstick	836	690664	Screw
		(Cut to						(Muffler Guard)
		Required Length)	524	★691876	Seal-Dipstick Tube			Used on Type No(s).
270	691027	Nut	529	692189	Grommet			0005, 0112.
		(Control Wire Casing)	534	691417	Screw			
271	691028	Lever-Control			(Air Cleaner)			
		(Dipstick Tube)						

★ Engine Gasket Set-Reference 358

△ Valve Gasket Set-Reference 1095

9M900

REF. NO.	PART NO.	DESCRIPTION	REF. NO.	PART NO.	DESCRIPTION	REF. NO.	PART NO.	DESCRIPTION
851	493880	Terminal-Spark Plug	913	494409	Seat-Check Valve	1210	499901	Pulley/Spring Assembly (Pulley)
868	697338	Seal-Valve	922	692135	Spring-Brake			
869	699641	Seat-Valve (Intake)	923	691487	Brake	1211	499901	Pulley/Spring Assembly (Spring)
870	699642	Seat-Valve (Exhaust)	925	691349	Cover-Linkage			
871	699643	Bushing-Valve Guide (Exhaust Valve)	930B	691348	Guard-Rewind	1218	695866	Seal-O Ring (Carburetor)
		----- Note -----	957	791129	Cap-Fuel Tank	1277	698718	Guard-Governor Nut
		63709 Bushing-Valve Guide (Intake Valve)	976	694394	Primer-Carburetor	1278	691002	Screw (Governor Nut Guard)
			1019	496757	Kit-Label	1330	270962	Repair Manual
			1036		Label-Emissions (Available from Authorized Briggs & Stratton Service Dealer)			
			1058	275508	Manual-Owner's			
			1095	498526	Gasket Set-Valve			

★ Engine Gasket Set-Reference 358

Valve Gasket Set-Reference 1095