



9L900

Illustrated Parts List

Model Series

9L900

TYPE NUMBERS
0131, 0132, 0213, 0221,
0245, 0283, 0284, 0305,
0356, 0359.

TABLE OF CONTENTS

Air Cleaner	5
Blower Housing	6
Brake	6
Cams	3
Carburetor	4
Controls	5
Covers	6
Crankcase Cover/Sump	3
Crankshaft	3
Cylinder	2
Flywheel	6
Fuel Tank	4
Gasket Sets-Engine/Valve	2
Governor Spring	5
Head	2
Ignition	5
Muffler	5
Oil Group	2
Piston Group	3
Rewind	6
Valves	3

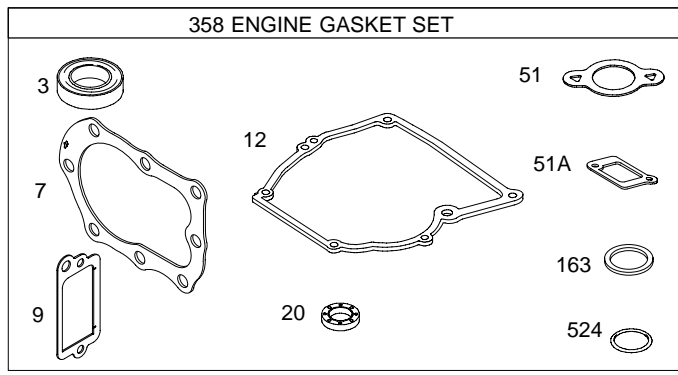
PRINTED IN U.S.A.



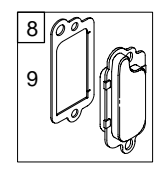
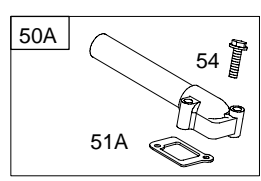
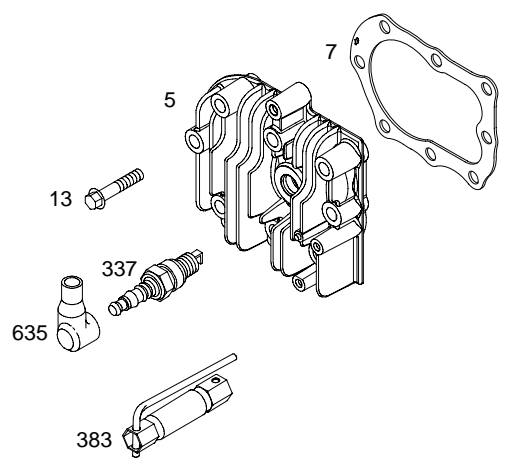
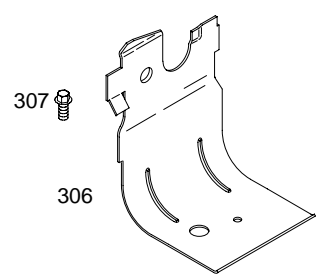
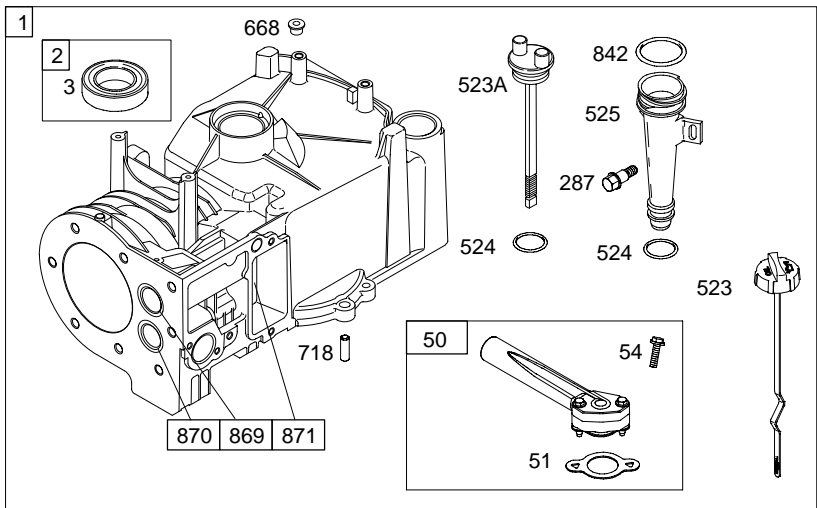
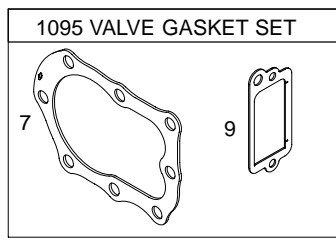
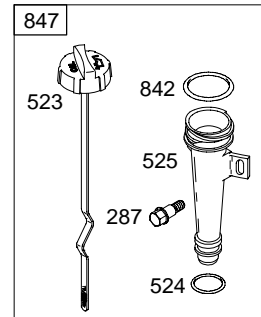
COPYRIGHT by BRIGGS & STRATTON CORPORATION
All rights reserved. No part of this material may be reproduced or transmitted, in any form or by any means, electronic or mechanical, including photocopying, recording or by any information storage and retrieval system, without permission in writing from Briggs & Stratton Corporation.

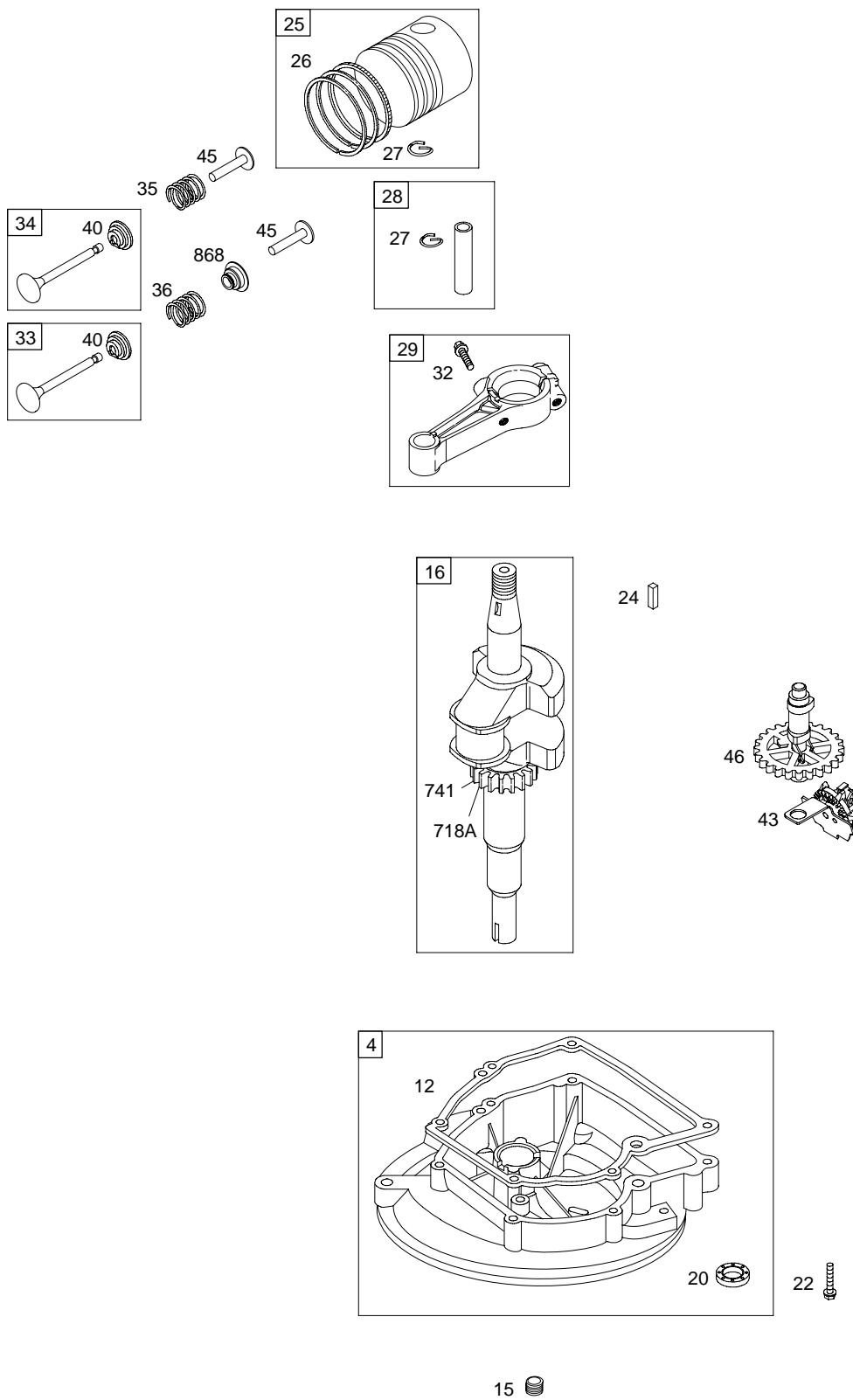
9L900

1058 OWNER'S MANUAL

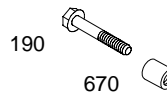
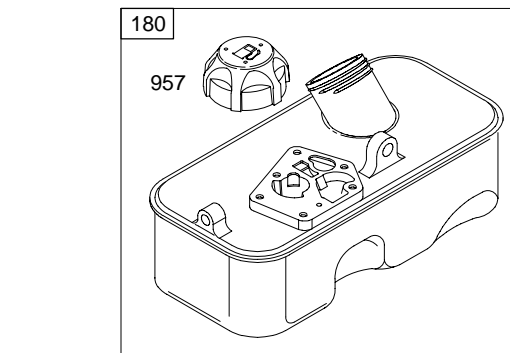
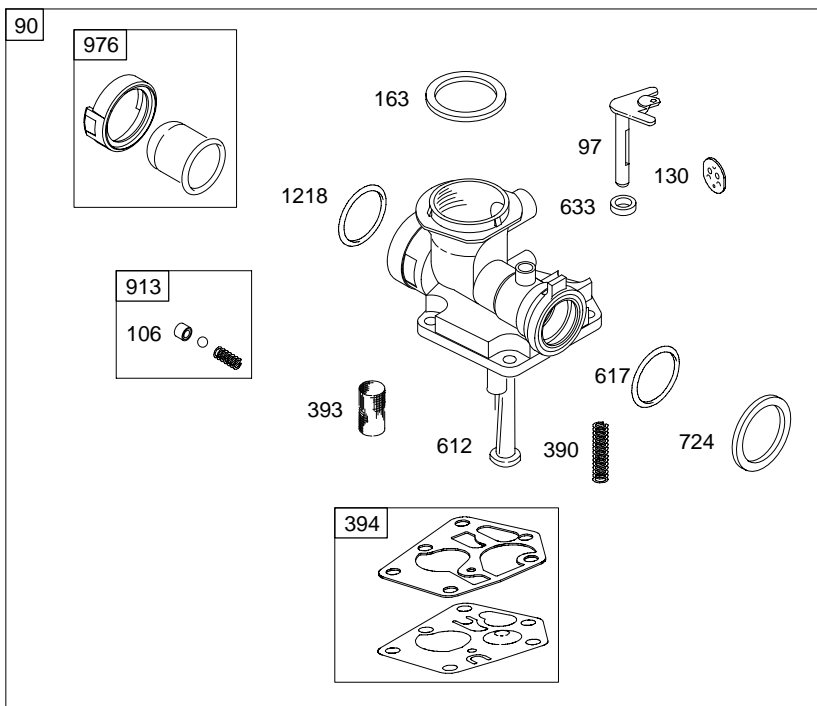


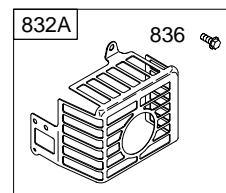
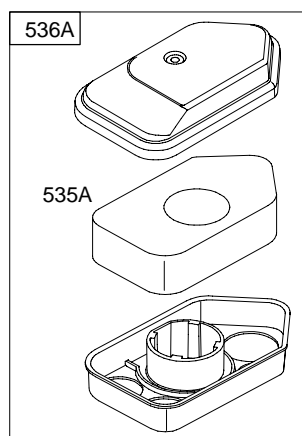
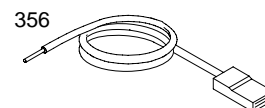
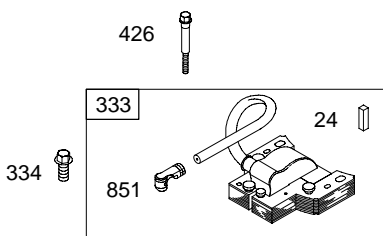
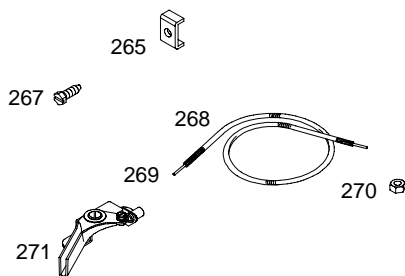
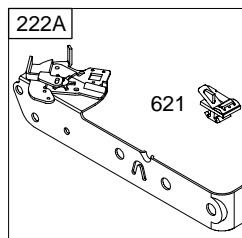
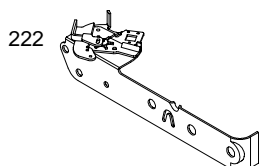
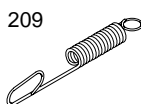
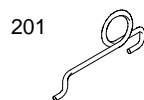
1330 REPAIR MANUAL





9L900

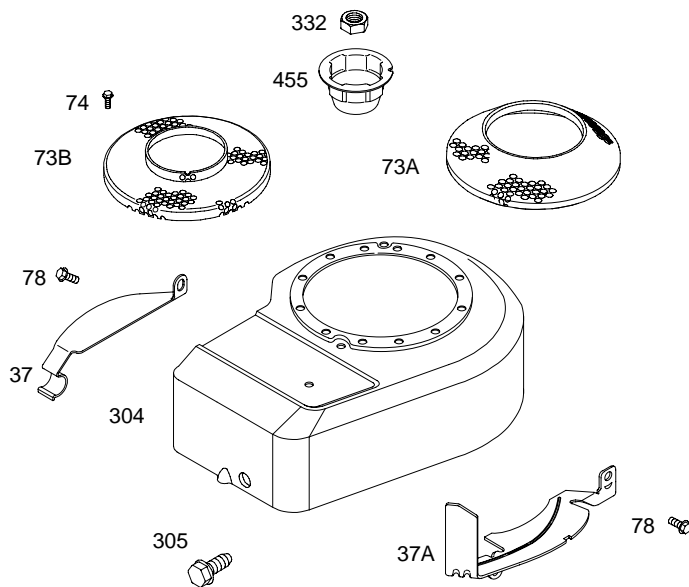
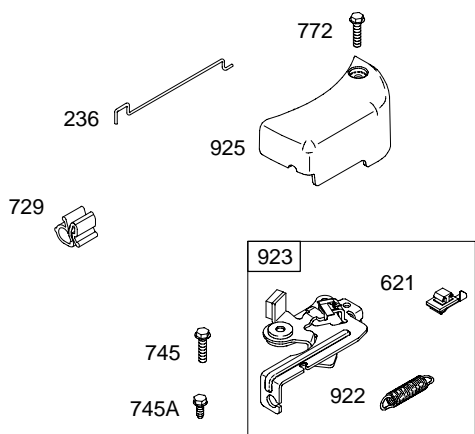
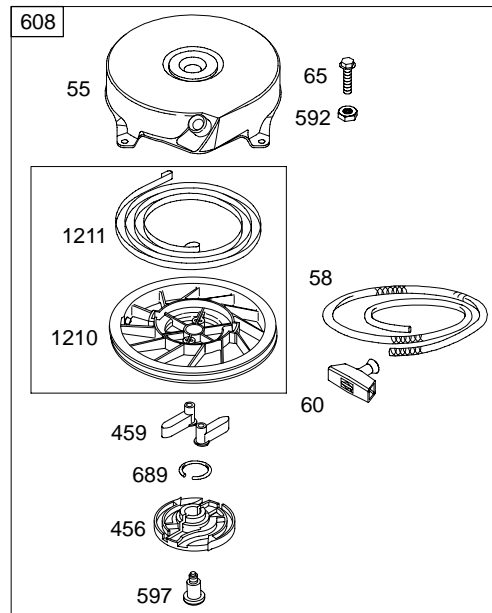
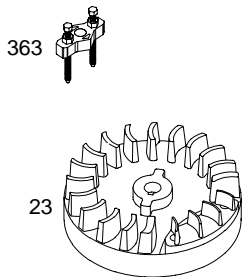




9L900

1036 EMISSIONS LABEL

1019 LABEL KIT



9L900

REF. NO.	PART NO.	DESCRIPTION	REF. NO.	PART NO.	DESCRIPTION	REF. NO.	PART NO.	DESCRIPTION			
1	699653	Cylinder Assembly	25	790908	Piston Assembly (Standard) (Used After Code Date 04111400).	29	699655	Rod-Connecting (Standard) (Used After Code Date 03093000).			
2	399269	Kit-Bushing/Seal (Magneto Side)			----- Note -----			----- Note -----			
3	★299819	Seal-Oil (Magneto Side)			699657 Piston Assembly (Standard) (Used After Code Date 030803000 and Before Code Date 04111500).			294367 Rod-Connecting (Standard) (Used Before Code Date 03100100).			
4	698691	Sump-Engine			498668 Piston Assembly (Standard) (Used After Code Date 96020500 and Before Code Date 03080400).	32	691664	Screw (Connecting Rod)			
5	790169	Head-Cylinder			----- Note -----	33	296676	Valve-Exhaust			
7	★△698717	Gasket-Cylinder Head			699658 Ring Set (Standard) (Used After Code Date 030803000 and Before Code Date 04111500).	34	296677	Valve-Intake			
8	699640	Breather Assembly			498680 Ring Set (Standard) (Used After Code Date 96020500 and Before Code Date 03080400).	35	690520	Spring-Valve (Intake)			
9	★△695890	Gasket-Breather			----- Note -----	36	690520	Spring-Valve (Exhaust)			
10	691666	Screw (Breather Assembly)	26	790909	Ring Set (Standard) (Used After Code Date 04111400).	37	690482	Guard-Flywheel (Carburetor Side)			
11	691245	Tube-Breather			----- Note -----	37A	691209	Guard-Flywheel (Muffler Side)			
12	★692218	Gasket-Crankcase (.015", Standard)			699658 Ring Set (Standard) (Used After Code Date 030803000 and Before Code Date 04111500).	40	692194	Retainer-Valve			
13	691640	Screw (Cylinder Head)			498682 Ring Set (.020" Oversize) (Used After Code Date 96020500).	43	698690	Slinger-Governor/Oil			
15	691680	Plug-Oil Drain			----- Note -----	45	691762	Tappet-Valve			
16	692991	Crankshaft			699659 Pin-Piston (Standard) (Used After Code Date 03080300).	46	691998	Camshaft			
		----- Note -----			----- Note -----	50	699644	Manifold-Intake (Used After Code Date 03080300).			
		492086 Crankshaft Used on Type No(s) 0356.			27	691588	Lock-Piston Pin				
		692990 Crankshaft Used on Type No(s) 0283, 0305, 0359.			28	699659	Pin-Piston (Standard) (Used After Code Date 03080300).				
20	★391483	Seal-Oil (PTO Side)			----- Note -----			54	691111	Screw (Intake Manifold)	
22	692551	Screw (Crankcase Cover/Sump)			690843 Flywheel Used on Type No(s) 0131, 0132.			55	692144	Housing-Rewind Starter	
23	692009	Flywheel			----- Note -----			58	697316	Rope-Starter (88 5/8" Long)	
		----- Note -----			498682 Ring Set (.020" Oversize) (Used After Code Date 96020500).			----- Note -----			691915 Rope-Starter (70" Long)
24	222698	Key-Flywheel			298909 Pin-Piston (Standard) (Used Before Code Date 03080400).	51A	270345	Gasket-Intake (Used Before Code Date 03080400).			
						51	★699649	Gasket-Intake (Used After Code Date 03080300).			
						50A	693446	Manifold-Intake (Used Before Code Date 03080400).			
						51	★699649	Gasket-Intake (Used After Code Date 03080300).			
						51A	270345	Gasket-Intake (Used Before Code Date 03080400).			
						54	691111	Screw (Intake Manifold)			
						55	692144	Housing-Rewind Starter			
						58	697316	Rope-Starter (88 5/8" Long)			
						----- Note -----			691915 Rope-Starter (70" Long)		
						60	691915	Grip-Starter Rope			
						65	690837	Screw (Rewind Starter)			
						73A	699850	Screen-Rotating (Used After Code Date 03082400).			
						73B	694018	Screen-Rotating (Used Before Code Date 03082500).			

★ Engine Gasket Set-Reference 358

△ Valve Gasket Set-Reference 1095

9L900

REF. NO.	PART NO.	DESCRIPTION	REF. NO.	PART NO.	DESCRIPTION	REF. NO.	PART NO.	DESCRIPTION
74	691627	Screw (Rotating Screen)	269	691026	Wire-Control (Cut to Required Length)	535A	698369	Filter-Air Cleaner Foam
78	692198	Screw (Flywheel Guard)	270	691027	Nut (Control Wire Casing)	536A	698472	Cleaner-Air
90	498811	Carburetor	271	691028	Lever-Control	592	690800	Nut (Rewind Starter)
97	691931	Shaft-Throttle	287	691002	Screw (Dipstick Tube)	597	691696	Screw (Pawl Friction Plate)
106	691901	Seat-Inlet	300A	394569	Muffler (Round Lo Tone)	608	499706	Starter-Rewind
130	691190	Valve-Throttle	304	691484	Housing-Blower (Compliance Engines)	612	496046	Tube-Pick Up
163	★271139	Gasket-Air Cleaner				617	270344	Seal-O Ring (Intake Manifold)
180	494406	Tank-Fuel				621	692310	Switch-Stop
188	692198	Screw (Control Bracket)				633	691321	Seal-Choke/Throttle Shaft (Throttle)
190	691697	Screw (Fuel Tank) (To Cylinder)				635	66538	Boot-Spark Plug
190A	692198	Screw (Fuel Tank) (1/2" Long)				668	692889	Spacer (Cylinder)
200	691912	Blade-Governor				670	691633	Spacer-Fuel Tank
201	690347	Link-Air Vane				689	691855	Spring-Friction
209	691297	Spring-Governor (White) Used on Type No(s). 0213, 0221, 0283, 0284.	305	692198	Screw (Blower Housing)	718	690959	Pin-Locating (Cylinder)
		----- Note ----- 690251 Spring-Governor (Yellow) Used on Type No(s). 0245, 0305, 0356, 0359.	306	690400	Shield-Heat	718A	499047	Pin-Locating (Crankshaft)
		690252 Spring-Governor (Pink) Used on Type No(s). 0132.	307	690345	Screw (Heat Shield)	724	697478	Retainer-Seal
		692698 Spring-Governor (Metallic Gold) Used on Type No(s). 0131.	332	690662	Nut (Flywheel)	729	690586	Clip-Wire
211	691859	Spring-Governed Idle	333	496914	Armature-Magneto	741	691805	Gear-Timing
222	691446	Bracket-Control	334	691061	Screw (Magneto Armature)	745	691146	Screw (Brake) (7/8" Long)
222A	691445	Bracket-Control Used on Type No(s). 0131, 0132.	337	802592	Plug-Spark	745A	690859	Screw (Brake) (1/2" Long)
236	691867	Link-Lockout	356	692390	Wire-Stop	772	691111	Screw (Linkage Cover)
265	692179	Clamp-Casing	358	699933	Gasket Set-Engine	832A	699670	Guard-Muffler Used on Type No(s). 0131, 0132, 0245.
267	691044	Screw (Casing Clamp)	363	19069	Puller-Flywheel	836	690664	Screw (Muffler Guard) Used on Type No(s). 0131, 0132, 0245.
268	691072	Casing-Control Wire (Cut to Required Length)	365	790029	Screw (Carburetor)	842	★691870	Seal-O Ring (Dipstick Tube)
			383	89838	Wrench-Spark Plug	847	691440	Dipstick/Tube Assembly
			390	691839	Spring-Choke Diaphragm	851	493880	Terminal-Spark Plug
			393	691837	Screen-Carburetor	868	697338	Seal-Valve
			394	495770	Diaphragm-Carburetor			
			426	691107	Screw (Governor Blade)			
			455	691236	Cup-Flywheel			
			456	692299	Plate-Pawl Friction			
			459	281505	Pawl-Ratchet			
			523	692040	Dipstick			
			523A	691913	Dipstick			
			524	★691876	Seal-Dipstick Tube			
			525	691320	Tube-Dipstick			
			529	692189	Grommet			
			534	691417	Screw (Air Cleaner)			

★ Engine Gasket Set-Reference 358

△ Valve Gasket Set-Reference 1095

9L900

REF. NO.	PART NO.	DESCRIPTION	REF. NO.	PART NO.	DESCRIPTION	REF. NO.	PART NO.	DESCRIPTION
869	699641	Seat-Valve (Intake) (Used After Code Date 03080300). ----- Note ----- 691701 Seat-Valve (Intake) (Used Before Code Date 03080400).	913	494409	Seat-Check Valve	1210	499901	Pulley/Spring Assembly (Pulley)
			922	692135	Spring-Brake			
			923	691487	Brake	1211	499901	Pulley/Spring Assembly (Spring)
			925	691349	Cover-Linkage			
			957	497929	Cap-Fuel Tank	1218	695866	Seal-O Ring (Carburetor)
			957A	791129	Cap-Fuel Tank Used on Type No(s). 0131, 0132.	1330	270962	Repair Manual
870	699642	Seat-Valve (Exhaust) (Used After Code Date 03080300). ----- Note ----- 691702 Seat-Valve (Exhaust) (Used Before Code Date 03080400).	976	694394	Primer-Carburetor			
			1019	496757	Kit-Label			
			1036		Label-Emissions (Available from Authorized Briggs & Stratton Service Dealer)			
			1058	275508	Operator's Manual ----- Note ----- MS5575 Operator's Manual Used on Type No(s). 0283, 0284.			
871	699643	Bushing-Valve Guide (Exhaust Valve) (Used After Code Date 03080300). ----- Note ----- 231348 Bushing-Valve Guide (Exhaust Valve) (Used Before Code Date 03080400). 63709 Bushing-Valve Guide (Intake Valve)	1095	498526	Gasket Set-Valve			

★ Engine Gasket Set-Reference 358

△ Valve Gasket Set-Reference 1095