



9J900

Illustrated Parts List Model Series 9J900

TYPE NUMBERS
0100, 0115, 0116, 0292,
0304, 0340, 0341, 0368,
0415, 0526, 0559.

TABLE OF CONTENTS

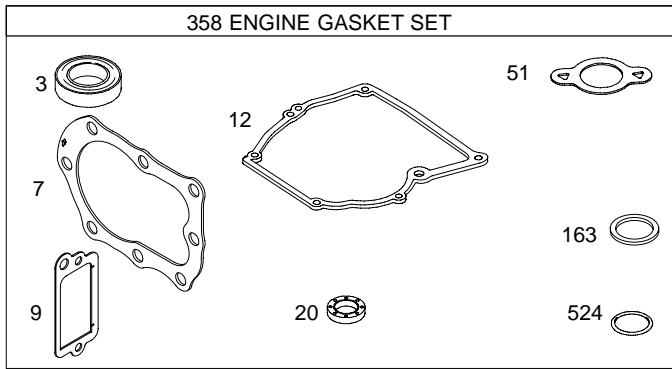
Air Cleaner	5
Blower Housing	6
Brake	5
Cams	3
Carburetor	4
Controls	5
Covers	5
Crankcase Cover/Sump	3
Crankshaft	3
Cylinder	2
Flywheel	6
Fuel Tank	4
Gasket Sets-Engine/Valve	2
Governor Spring	5
Head	2
Ignition	5
Muffler	6
Oil Group	2
Piston Group	3
Rewind	6
Valves	3



PRINTED IN U.S.A.

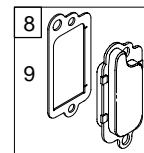
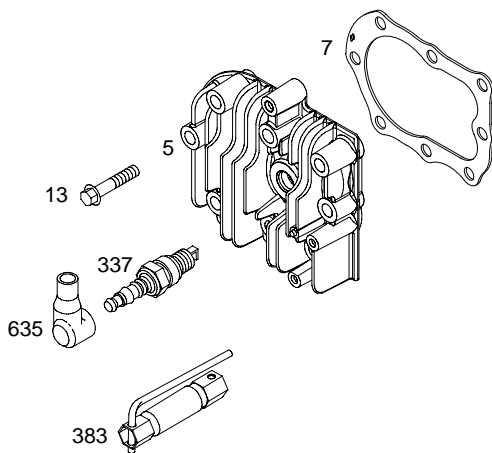
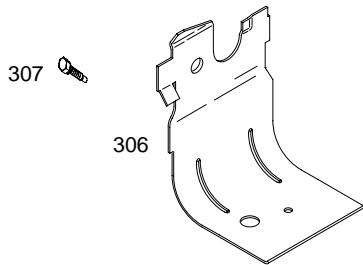
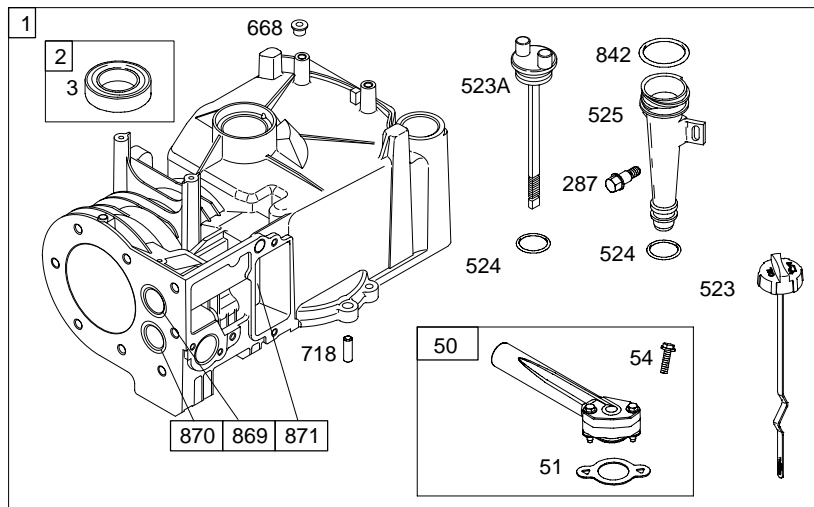
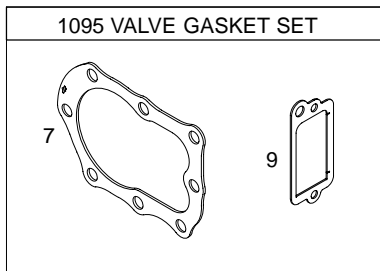
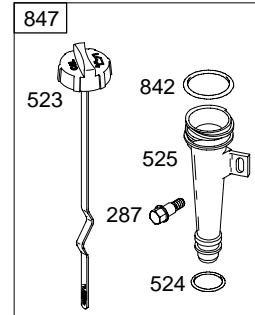
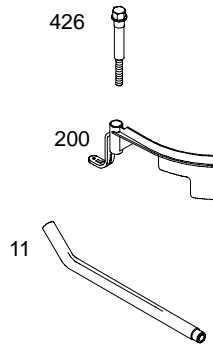
COPYRIGHT by BRIGGS & STRATTON CORPORATION
All rights reserved. No part of this material may be reproduced or transmitted,
in any form or by any means, electronic or mechanical, including photocopying,
recording or by any information storage and retrieval system, without permission
in writing from Briggs & Stratton Corporation.

9J900

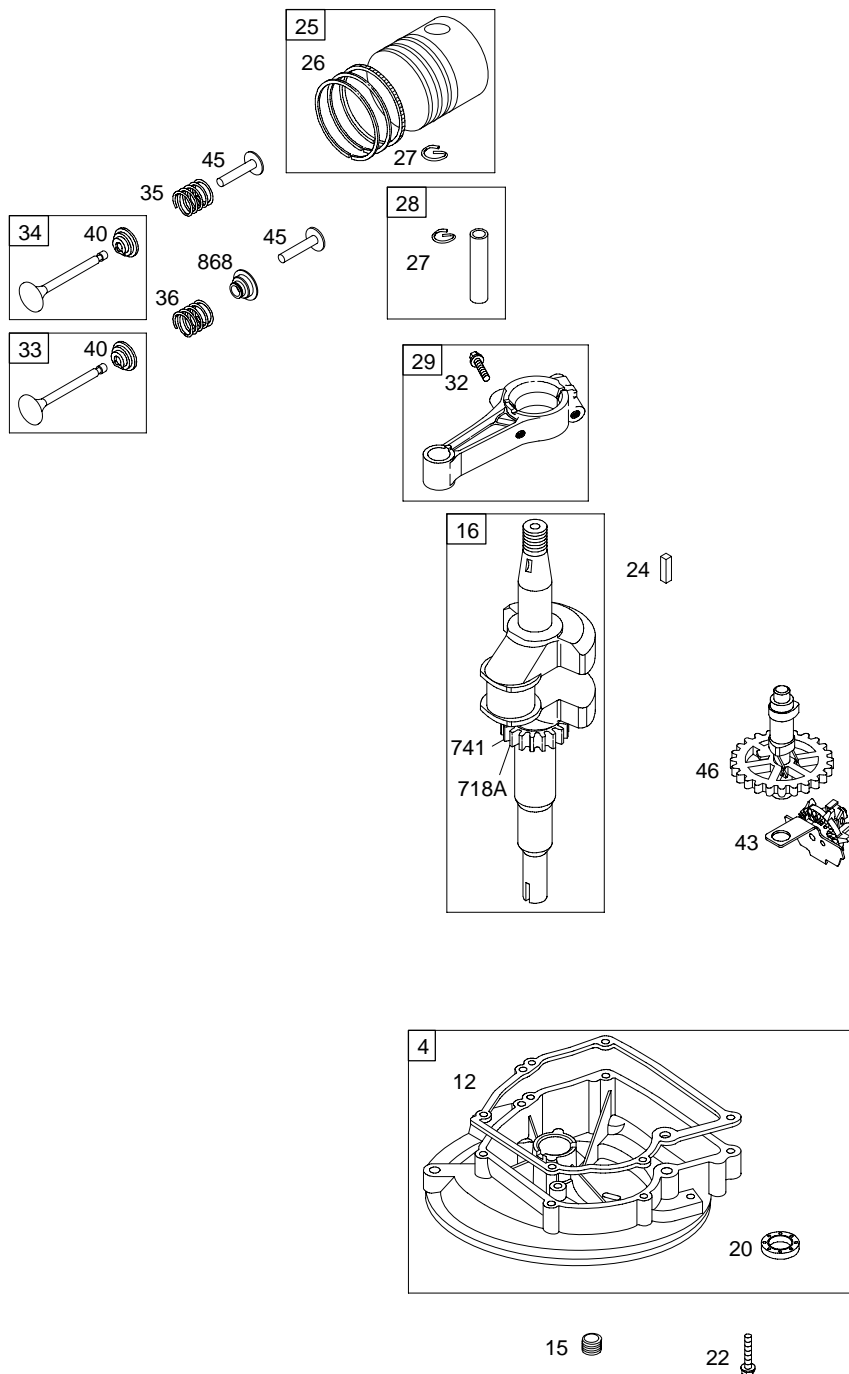


1058 OWNER'S MANUAL

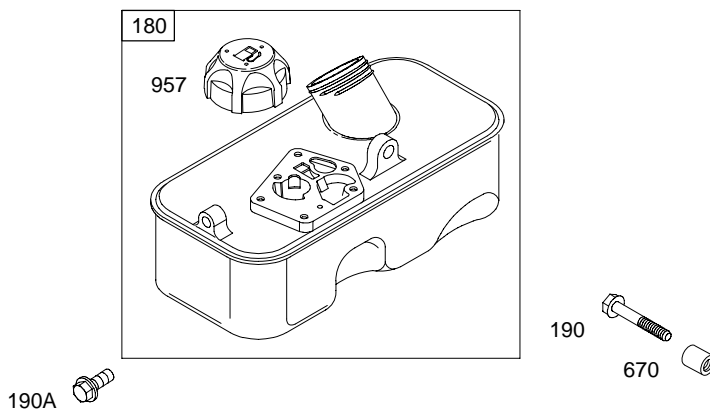
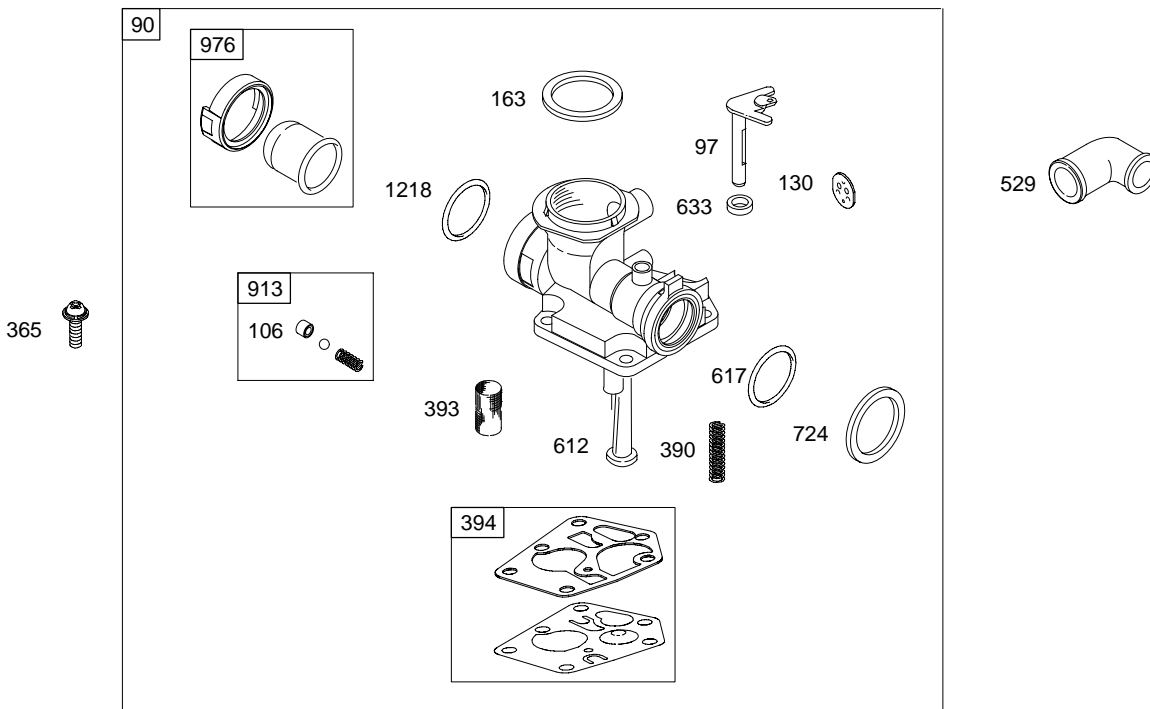
1330 REPAIR MANUAL

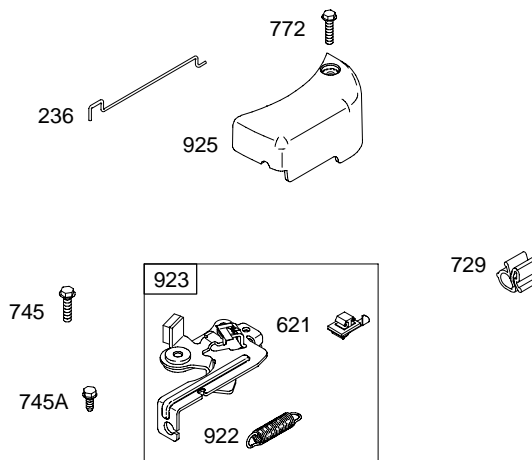
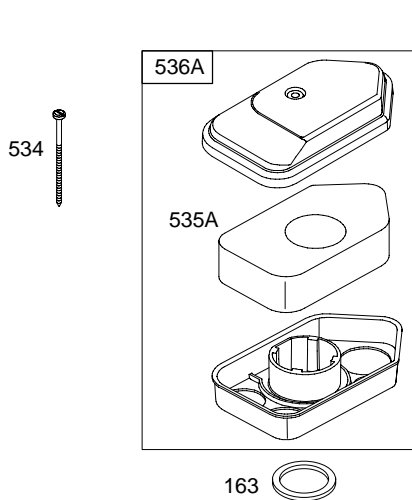
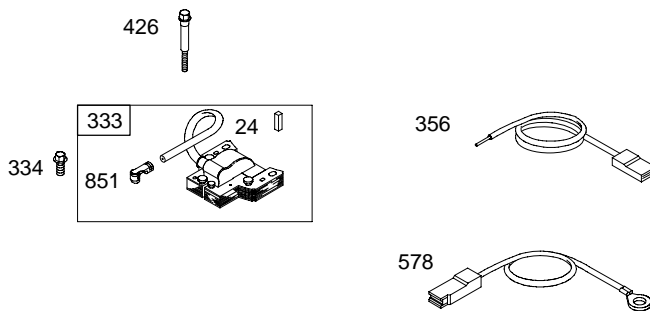
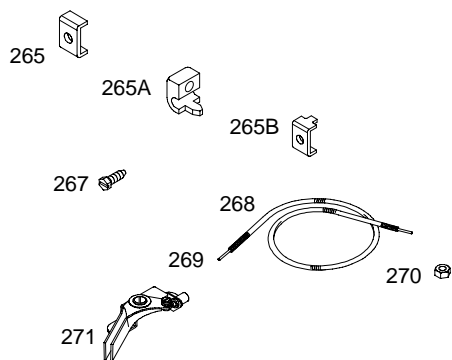
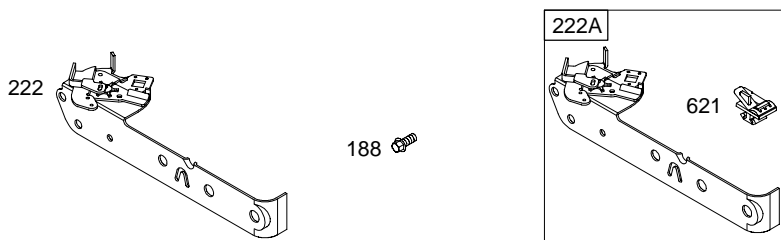


10

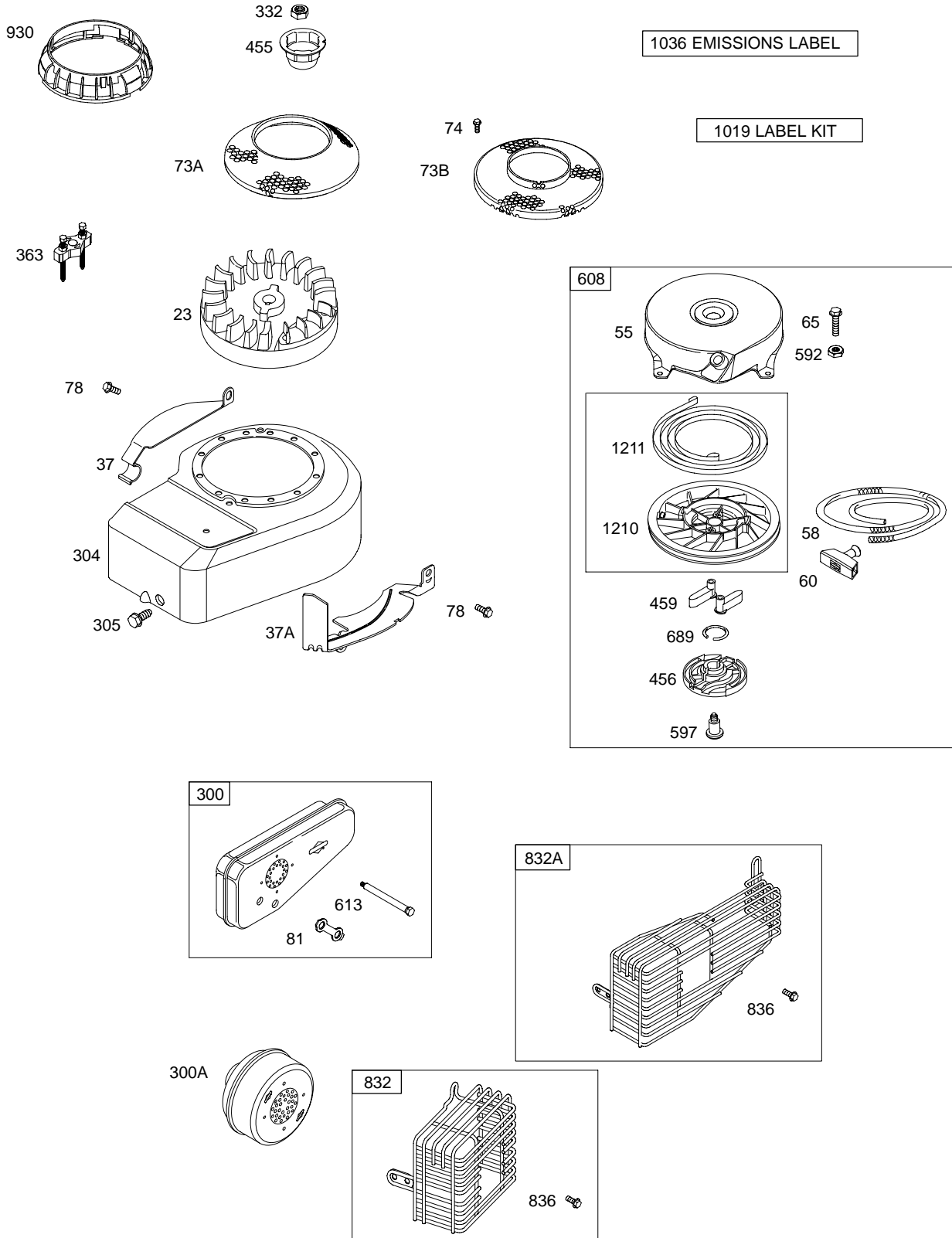


9J900





9J900



9J900

REF. NO.	PART NO.	DESCRIPTION	REF. NO.	PART NO.	DESCRIPTION	REF. NO.	PART NO.	DESCRIPTION
1	699653	Cylinder Assembly	26	790909	Ring Set (Standard)	73B	694018	Screen-Rotating (Used Before Code Date 03082500).
2	399269	Kit-Bushing/Seal (Magneto Side)			(Used After Code Date 04111400).	74	691627	Screw (Rotating Screen)
3	*299819	Seal-Oil (Magneto Side)			----- Note -----	78	692198	Screw (Flywheel Guard)
4	698691	Sump-Engine			699658 Ring Set (Standard)	81	691179	Lock-Muffler Screw
5	790169	Head-Cylinder			(Used After Code Date 030803000 and Before Code Date 04111500).	90	498811	Carburetor
7	*Δ698717	Gasket-Cylinder Head				97	691931	Shaft-Throttle
8	699640	Breather Assembly				106	691901	Seat-Inlet
9	*Δ695890	Gasket-Breather				130	691190	Valve-Throttle
10	691666	Screw (Breather Assembly)			498682 Ring Set (.020" Oversize)	163	*271139	Gasket-Air Cleaner
11	691245	Tube-Breather			(Used Before Code Date 04111500).	180	494406	Tank-Fuel
12	*692218	Gasket-Crankcase (.015", Standard)	27	691588	Lock-Piston Pin	188	692198	Screw (Control Bracket)
13	691640	Screw (Cylinder Head)	28	699659	Pin-Piston	190	691640	Screw (Fuel Tank)
15	691680	Plug-Oil Drain	29	699655	Rod-Connecting (Standard)			(1 3/4" Long)
16	692991	Crankshaft	32	691664	Screw (Connecting Rod)	190A	692198	Screw (Fuel Tank)
		----- Note -----	33	296676	Valve-Exhaust			(1/2" Long)
		492086 Crankshaft Used on Type No(s). 0115, 0415, 0526, 0559.	34	296677	Valve-Intake	200	691912	Blade-Governor
		692990 Crankshaft Used on Type No(s). 0100, 0116, 0368.	35	690520	Spring-Valve (Intake)	201	690347	Link-Air Vane
20	*391483	Seal-Oil (PTO Side)	36	690520	Spring-Valve (Exhaust)	209	691297	Spring-Governor (White)
22	692551	Screw (Crankcase Cover/Sump)	37	690482	Guard-Flywheel (Carburetor Side)			Used on Type No(s). 0100, 0292, 0341, 0368.
23	692009	Flywheel	37A	691209	Guard-Flywheel (Muffler Side)			----- Note -----
		----- Note -----	40	692194	Retainer-Valve			690251 Spring-Governor (Yellow)
		690843 Flywheel Used on Type No(s). 0115, 0116, 0340.	43	698690	Slinger-Governor/Oil			Used on Type No(s). 0115, 0116, 0304, 0415, 0526, 0559.
24	222698	Key-Flywheel	45	691762	Tappet-Valve			690250 Spring-Governor
25	790908	Piston Assembly (Standard)	46	691998	Camshaft			Used on Type No(s). 0340.
		(Used After Code Date 04111400).	50	699644	Manifold-Intake	211	691859	Spring-Governed Idle
		----- Note -----	51	*699649	Gasket-Intake	222	691446	Bracket-Control
		699657 Piston Assembly (Standard)	54	691111	Screw (Intake Manifold)	222A	691445	Bracket-Control
		(Used After Code Date 030803000 and Before Code Date 04111500).	55	692144	Housing-Rewind Starter			Used on Type No(s). 0115, 0116.
			58	697316	Rope-Starter (88 5/8" Long)	236	691867	Link-Lockout
					----- Note -----	265	692179	Clamp-Casing
					691921 Rope-Starter (70" Rope)	265A	690798	Clamp-Casing
					Used on Type No(s). 0115, 0116.			Used on Type No(s). 0100.
60	691915	Grip-Starter Rope	60	691915	Grip-Starter Rope	265B	691024	Clamp-Casing
65	690837	Screw (Rewind Starter)	65	690837	Screw (Rewind Starter)			Used on Type No(s). 0115, 0116.
73A	699850	Screen-Rotating (Used After Code Date 03082400).				267	691044	Screw (Casing Clamp)

* Engine Gasket Set-Reference 358

Δ Valve Gasket Set-Reference 1095

9J900

REF. NO.	PART NO.	DESCRIPTION	REF. NO.	PART NO.	DESCRIPTION	REF. NO.	PART NO.	DESCRIPTION		
268	691072	Casing-Control Wire (Cut to Required Length)	383	89838	Wrench-Spark Plug	724	697478	Retainer-Seal		
269	691026	Wire-Control (Cut to Required Length)	390	691839	Spring-Choke Diaphragm	729	690586	Clip-Wire		
270	691027	Nut (Control Wire Casing)	393	691837	Screen-Carburetor	741	691805	Gear-Timing		
271	691028	Lever-Control	394	495770	Diaphragm-Carburetor	745	691146	Screw (Brake) (7/8" Long)		
287	691002	Screw (Dipstick Tube)	426	691107	Screw (Governor Blade)	745A	690859	Screw (Brake) (1/2" Long)		
300	692307	Muffler (Super Lo Tone) Used on Type No(s). 0115, 0116, 0304.	455	691236	Cup-Flywheel	772	691111	Screw (Linkage Cover)		
300A	394569	Muffler (Round Lo Tone)	456	692299	Plate-Pawl Friction	832	790744	Guard-Muffler Used on Type No(s). 0415.		
304	691484	Housing-Blower (Compliance Engines) Used on Type No(s). 0100, 0292, 0304, 0341, 0368, 0415, 0526, 0559.	459	281505	Pawl-Ratchet	832A	790743	Guard-Muffler Used on Type No(s). 0115, 0116, 0304.		
		----- Note ----- 692536 Housing- Blower (Non Compliance Engines) Used on Type No(s). 0115, 0116, 0340.	523	692040	Dipstick	836	790745	Screw (Muffler Guard)		
305	692198	Screw (Blower Housing)	523A	691913	Dipstick	842	*691870	Seal-O Ring (Dipstick Tube)		
306	690400	Shield-Heat	524	*691876	Seal-Dipstick Tube	851	493880	Terminal-Spark Plug		
307	690345	Screw (Heat Shield)	525	691320	Tube-Dipstick	868	697338	Seal-Valve		
332	690662	Nut (Flywheel)	529	692189	Grommet	869	699641	Seat-Valve (Intake) (Used After Code Date 03080300). ----- Note ----- 691701 Seat-Valve (Intake) (Used Before Code Date 03080400).		
333	496914	Armature-Magneto	534	691417	Screw (Air Cleaner)			870	699642	Seat-Valve (Exhaust) (Used After Code Date 03080300). ----- Note ----- 691702 Seat-Valve (Exhaust) (Used Before Code Date 03080400).
334	691061	Screw (Magneto Armature)	535A	698369	Filter-Air Cleaner Foam					
337	802592	Plug-Spark Used on Type No(s). 0100, 0292, 0341, 0368, 0526, 0559.	536A	698472	Cleaner-Air					
		----- Note ----- 697451 Plug-Spark Used on Type No(s). 0115, 0116, 0304, 0340, 0415.	578	697582	Wire Assembly Used on Type No(s). 0340.					
356	692390	Wire-Stop	592	690800	Nut (Rewind Starter)					
358	699933	Gasket Set-Engine	597	691696	Screw (Pawl Friction Plate)					
363	19069	Puller-Flywheel	608	499706	Starter-Rewind (88 5/8" Rope) ----- Note ----- 690101 Starter- Rewind (70" Rope) Used on Type No(s). 0115, 0116.					
365	790029	Screw (Carburetor)				612	496046	Tube-Pick Up		
						613	691413	Screw (Muffler)		
						617	270344	Seal-O Ring (Intake Manifold)		
						621	692310	Switch-Stop		
						633	691321	Seal-Choke/Throttle Shaft (Throttle)		
						635	66538	Boot-Spark Plug		
						668	692889	Spacer (Cylinder)		
						670	691633	Spacer-Fuel Tank		
						689	691855	Spring-Friction		
						718	690959	Pin-Locating (Cylinder)		
						718A	499047	Pin-Locating (Crankshaft)		

★ Engine Gasket Set-Reference 358

△ Valve Gasket Set-Reference 1095

9J900

REF. NO.	PART NO.	DESCRIPTION	REF. NO.	PART NO.	DESCRIPTION	REF. NO.	PART NO.	DESCRIPTION
871	699643	Bushing-Valve Guide (Exhaust Valve) (Used After Code Date 03080300). ----- Note ----- 231348 Bushing-Valve Guide (Exhaust Valve) (Used Before Code Date 03080400). 63709 Bushing-Valve Guide (Intake Valve)	913	494409	Seat-Check Valve	1058	273231	Operator's Manual ----- Note ----- MS5575 Operator's Manual Used on Type No(s). 0341, 0368. MS5573 Operator's Manual Used on Type No(s). 0115, 0116.
			922	692135	Spring-Brake	1095	498526	Gasket Set-Valve
			923	691487	Brake	1210	499901	Pulley/Spring Assembly (Pulley)
			925	691349	Cover-Linkage	1211	499901	Pulley/Spring Assembly (Spring)
			930	691348	Guard-Rewind Used on Type No(s). 0115, 0116, 0415.	1218	695866	Seal-O Ring (Carburetor)
			957	497929	Cap-Fuel Tank	1330	270962	Repair Manual
			976	694394	Primer-Carburetor			
			1019	496757	Kit-Label			
			1036		Label-Emissions (Available from Authorized Briggs & Stratton Service Dealer)			

★ Engine Gasket Set-Reference 358

△ Valve Gasket Set-Reference 1095