



9G900

Illustrated Parts List

Model Series

9G900

TYPE NUMBERS
0100, 0144, 0145.

TABLE OF CONTENTS

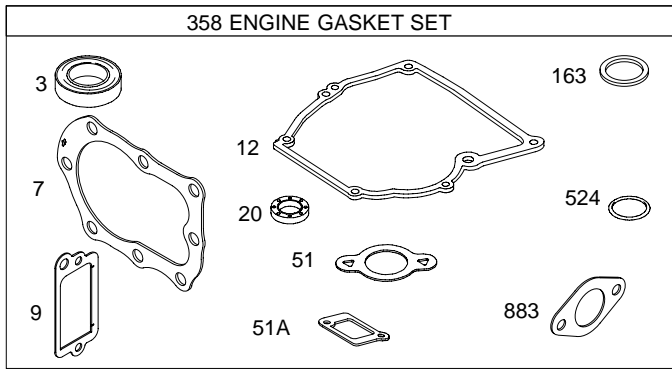
Air Cleaner	5
Blower Housing	6
Brake	5
Cams	3
Carburetor	4
Controls	5
Crankcase Cover/Sump	3
Crankshaft	3
Cylinder	2
Flywheel	6
Fuel Tank	4
Gasket Sets-Engine/Valve	2
Governor Spring	5
Head	2
Ignition	5
Muffler	5
Oil	2
Piston Group	3
Rewind	6
Valves	3



PRINTED IN U.S.A.

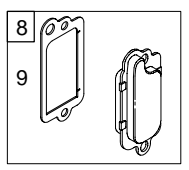
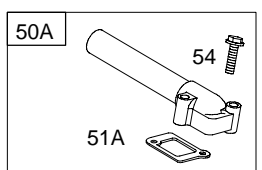
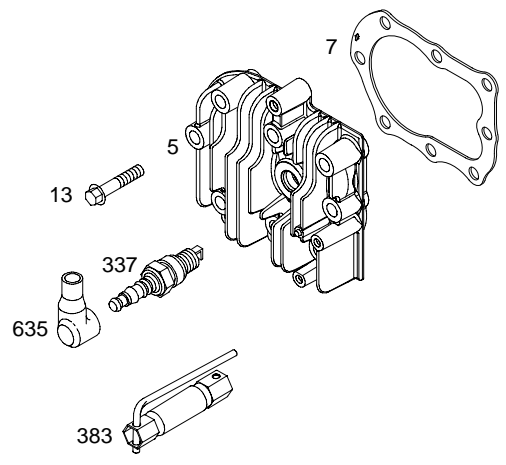
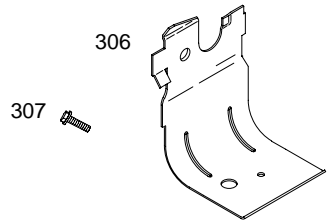
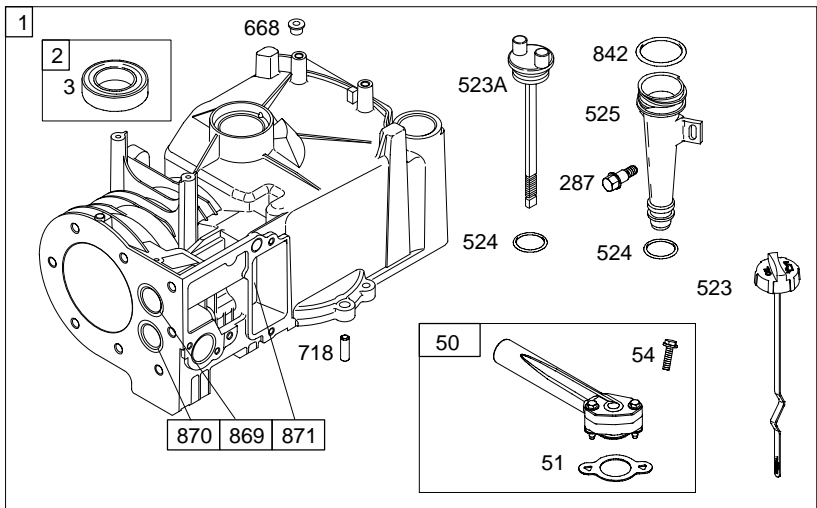
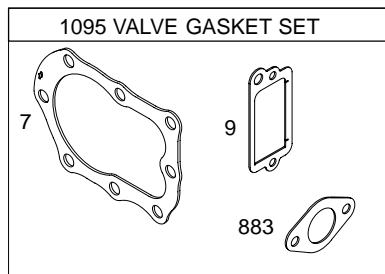
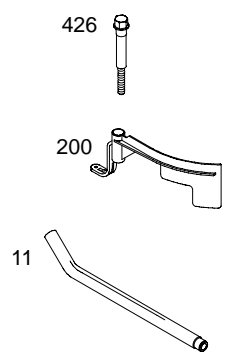
COPYRIGHT by BRIGGS & STRATTON CORPORATION
All rights reserved. No part of this material may be reproduced or transmitted, in any form or by any means, electronic or mechanical, including photocopying, recording or by any information storage and retrieval system, without permission in writing from Briggs & Stratton Corporation.

9G900

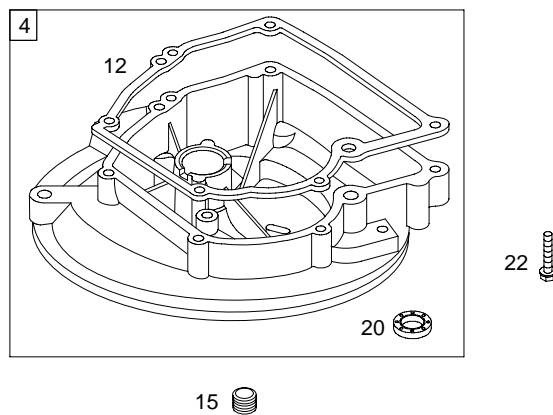
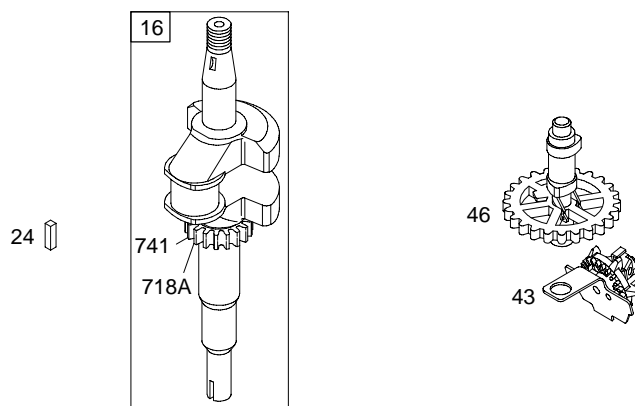
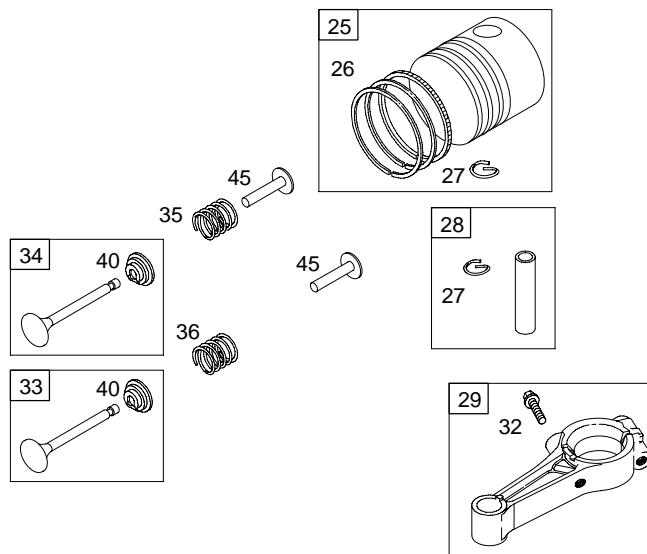


1330 REPAIR MANUAL

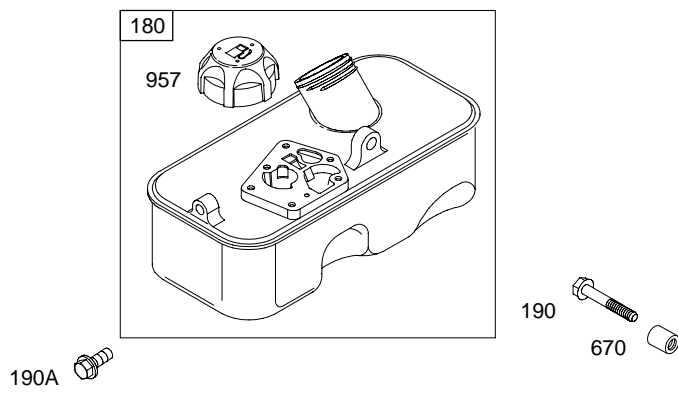
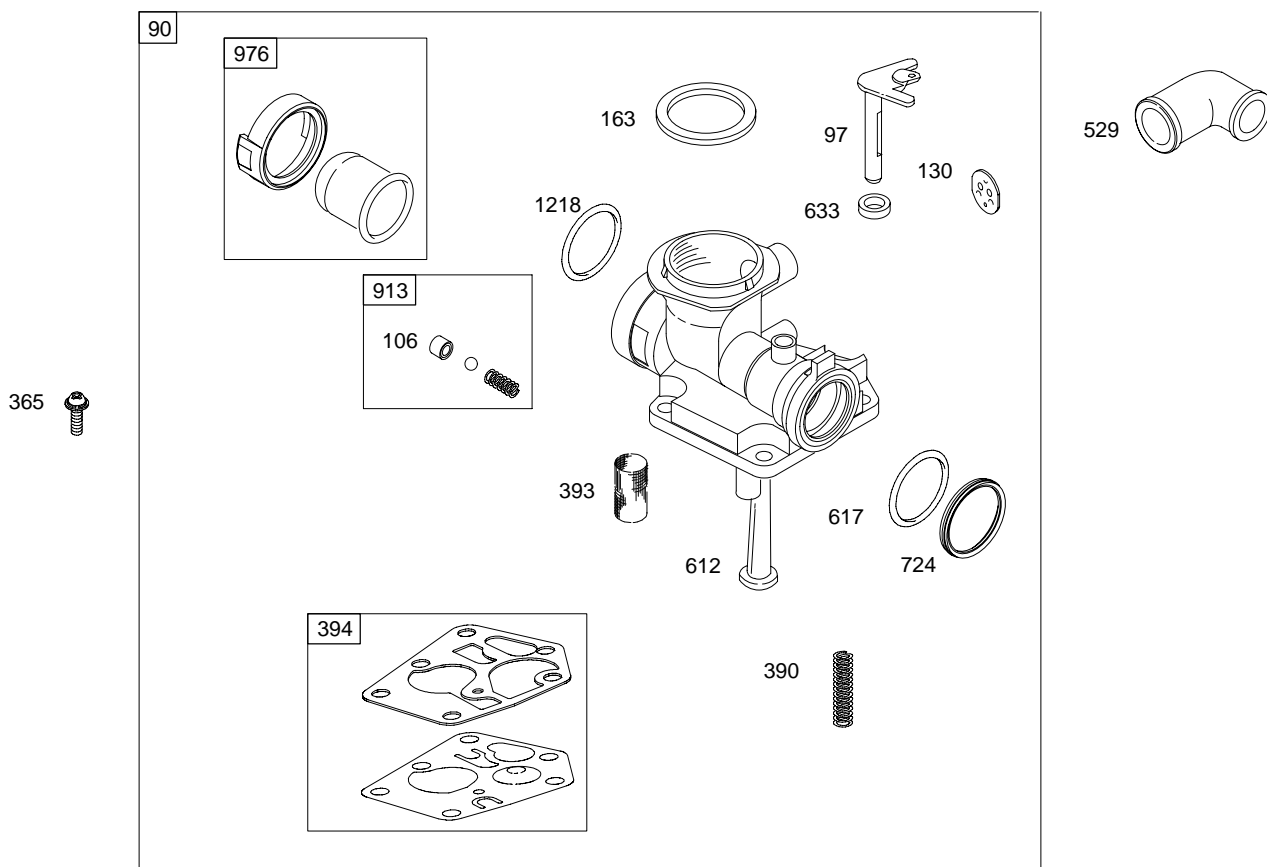
1058 OWNER'S MANUAL

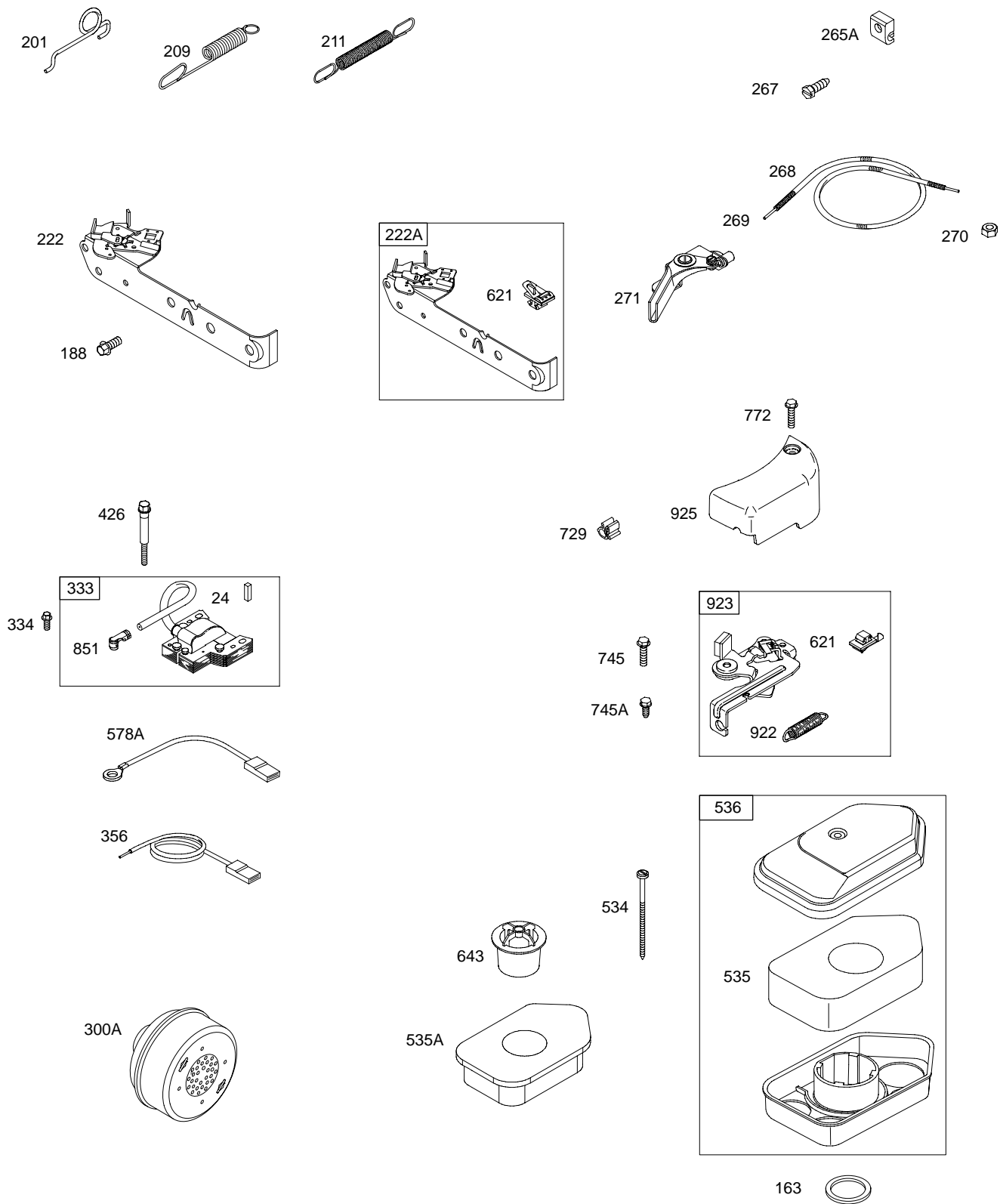


10

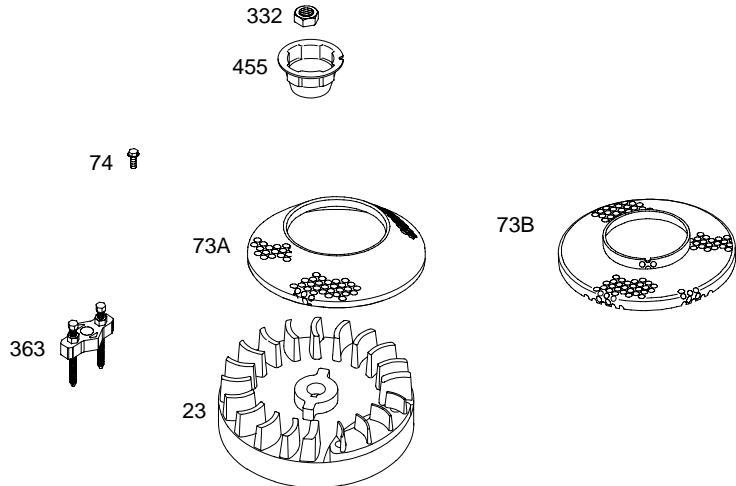


9G900

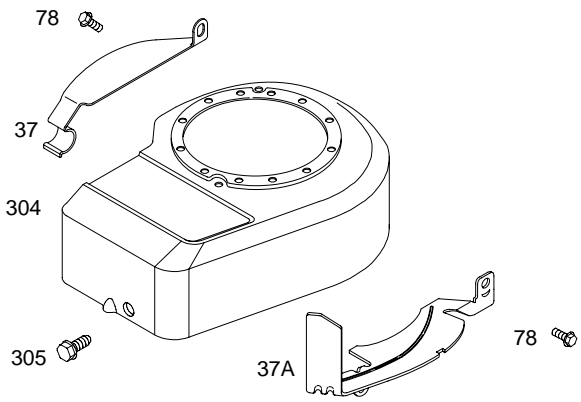




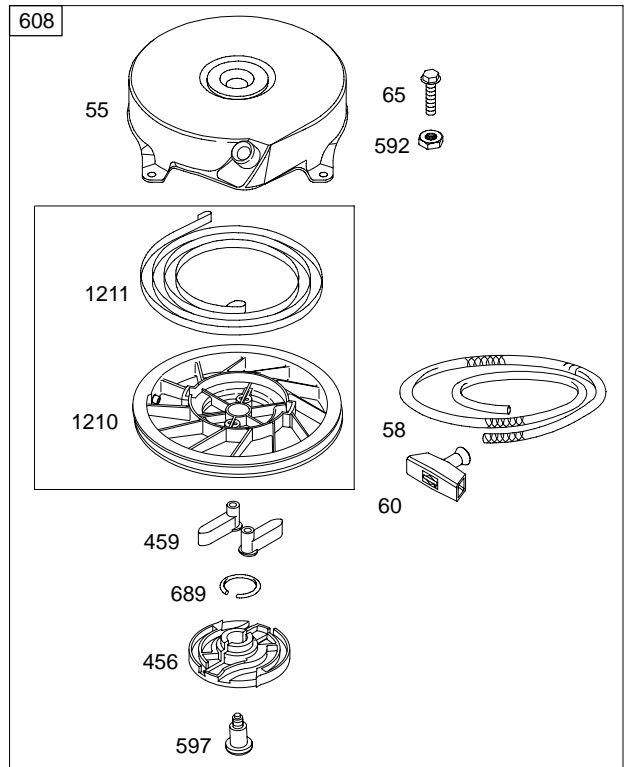
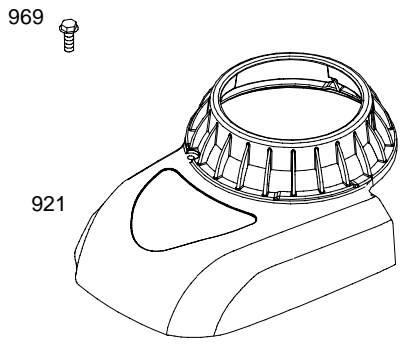
9G900



1019 LABEL KIT



1036 EMISSIONS LABEL



9G900

REF. NO.	PART NO.	DESCRIPTION	REF. NO.	PART NO.	DESCRIPTION	REF. NO.	PART NO.	DESCRIPTION
1	699653	Cylinder Assembly	25	790908	Piston Assembly (Standard) (Used After Code Date 04111400). ----- Note ----- 699657 Piston Assembly (Standard) (Used After Code Date 030803000 and Before Code Date 04111500). 498668 Piston Assembly (Standard) (Used After Code Date 96020500 and Before Code Date 03080400).	29	699655	Rod-Connecting (Standard) (Used After Code Date 03093000). ----- Note ----- 294367 Rod-Connecting (Standard) (Used Before Code Date 03080400).
2	399269	Kit-Bushing/Seal (Magneto Side)				32	691664	Screw (Connecting Rod)
3	★299819	Seal-Oil (Magneto Side)				33	296676	Valve-Exhaust
4	698691	Sump-Engine (Used After Code Date 02111200). ----- Note ----- 395384 Sump-Engine (Used Before Code Date 02111300).				34	296677	Valve-Intake
5	790169	Head-Cylinder				35	690520	Spring-Valve (Intake)
7	★△698717	Gasket-Cylinder Head	26	790909	Ring Set (Standard) (Used After Code Date 04111400). ----- Note ----- 699658 Ring Set (Standard) (Used After Code Date 030803000 and Before Code Date 04111500). 498680 Ring Set (Standard) (Used After Code Date 96020500 and Before Code Date 03080400).	36	690520	Spring-Valve (Exhaust)
8	699640	Breather Assembly				37	690482	Guard-Flywheel (Carburetor Side)
9	★△695890	Gasket-Breather				37A	691209	Guard-Flywheel (Muffler Side)
10	691666	Screw (Breather Assembly)				40	692194	Retainer-Valve
11	691245	Tube-Breather				43	698690	Slinger-Governor/Oil (Used After Code Date 02110400). ----- Note ----- 691983 Slinger-Governor/Oil (Used Before Code Date 02110500).
12	★692218	Gasket-Crankcase (.015" Thick) (Standard) ----- Note ----- 270895 Gasket-Crankcase (.005" Thick) 270896 Gasket-Crankcase (.009" Thick)				45	691762	Tappet-Valve
13	691640	Screw (Cylinder Head)				46	691998	Camshaft
15	691680	Plug-Oil Drain				50	699644	Manifold-Intake (Used After Code Date 03080300).
16	692991	Crankshaft ----- Note ----- 692990 Crankshaft Used on Type No(s) 0100, 0144.				50A	693446	Manifold-Intake (Used Before Code Date 03080400).
20	★391483	Seal-Oil (PTO Side)	27	691588	Lock-Piston Pin	51	★699649	Gasket-Intake (Used After Code Date 03080300).
22	692551	Screw (Crankcase Cover/Sump)	28	699659	Pin-Piston (Standard) (Used After Code Date 03080300). ----- Note ----- 298909 Pin-Piston (Standard) (Used Before Code Date 03080400).	51A	★270345	Gasket-Intake (Used Before Code Date 03080400).
23	690843	Flywheel ----- Note ----- 692009 Flywheel Used on Type No(s) 0100, 0144.				54	691111	Screw (Intake Manifold)
24	222698	Key-Flywheel				55	692144	Housing-Rewind Starter
						58	697316	Rope-Starter (88 5/8" Long)
						60	691915	Grip-Starter Rope
						65	690837	Screw (Rewind Starter)

★ Engine Gasket Set-Reference 358

△ Valve Gasket Set-Reference 1095

9G900

REF. NO.	PART NO.	DESCRIPTION	REF. NO.	PART NO.	DESCRIPTION	REF. NO.	PART NO.	DESCRIPTION
73A	699850	Screen-Rotating (Used After Code Date 03082400).	271	691028	Lever-Control	455	691236	Cup-Flywheel
73B	694018	Screen-Rotating (Used Before Code Date 03082500).	287	691002	Screw (Dipstick Tube)	456	692299	Plate-Pawl Friction
74	691627	Screw (Rotating Screen)	300A	394569	Muffler (Round Lo Tone)	459	281505	Pawl-Ratchet
78	692198	Screw (Flywheel Guard)	304	692536	Housing-Blower (Non Compliance Engines) Used on Type No(s). 0145.	523	692040	Dipstick
90	498809	Carburetor			----- Note -----	523A	691913	Dipstick
97	691931	Shaft-Throttle			694051 Housing-Blower (Non Compliance Engines) Used on Type No(s). 0144.	524	★691876	Seal-Dipstick Tube
106	691901	Seat-Inlet			691484 Housing-Blower (Compliance Engines) Used on Type No(s). 0100.	525	691320	Tube-Dipstick
130	691190	Valve-Throttle	305	692198	Screw (Blower Housing)	529	692189	Grommet
163	★271139	Gasket-Air Cleaner	306	690400	Shield-Cylinder (Used Before Code Date 04071500).	534	691417	Screw (Air Cleaner)
180	494406	Tank-Fuel	307	690345	Screw (Cylinder Shield) (Used Before Code Date 04071500).	535	698369	Filter-Air Cleaner Foam (Used After Code Date 02101000).
188	692198	Screw (Control Bracket)	332	690662	Nut (Flywheel)	535A	272235	Filter-Air Cleaner Foam (Used Before Code Date 02101100).
190	691640	Screw (Fuel Tank) (1 3/4" Long)	333	496914	Armature-Magneto	536	698472	Cleaner-Air
190A	692198	Screw (Fuel Tank) (1/2" Long)	334	691061	Screw (Magneto Armature)	578A	697582	Wire Assembly
200	691912	Blade-Governor	337	802592	Plug-Spark ----- Note -----	592	690800	Nut (Rewind Starter)
201	690347	Link-Air Vane			697451 Plug-Spark Used on Type No(s). 0144.	597	691696	Screw (Pawl Friction Plate)
209	690250	Spring-Governor (Light Green) Used on Type No(s). 0144, 0145. ----- Note -----	337	802592	Plug-Spark Used on Type No(s). 0144.	608	499706	Starter-Rewind
		691297 Spring-Governor (White) Used on Type No(s). 0100.	356	692390	Wire-Stop Used on Type No(s). 0100, 0144.	612	496046	Tube-Pick Up
211	691859	Spring-Governed Idle	358	699933	Gasket Set-Engine	617	270344	Seal-O Ring (Intake Manifold)
222	691446	Bracket-Control Used on Type No(s). 0100, 0145.	363	19069	Puller-Flywheel	621	692310	Switch-Stop Used on Type No(s). 0100.
222A	691445	Bracket-Control Used on Type No(s). 0144.	365	790029	Screw (Carburetor)	633	691321	Seal-Choke/Throttle Shaft (Throttle)
265	692179	Clamp-Casing	383	89838	Wrench-Spark Plug	635	66538	Boot-Spark Plug Used on Type No(s). 0144, 0145.
265A	690798	Clamp-Casing	390	691839	Spring-Choke Diaphragm	643	691911	Retainer-Air Filter
265B	691024	Clamp-Casing	393	691837	Screen-Carburetor	668	692889	Spacer
267	691044	Screw (Casing Clamp)	394	495770	Diaphragm-Carburetor	670	691633	Spacer-Fuel Tank (Non Compliance Engines)
268	691072	Casing-Control Wire (Cut To Required Length)	426	691107	Screw (Governor Blade)	689	691855	Spring-Friction
269	691026	Wire-Control (Cut To Required Length)				718	690959	Pin-Locating (Cylinder)
270	691027	Nut (Control Wire Casing)				718A	499047	Pin-Locating (Crankshaft)
						729	690586	Clip-Wire Used on Type No(s). 0100.
						722	691111	Screw (Linkage Cover)

★ Engine Gasket Set-Reference 358

△ Valve Gasket Set-Reference 1095

9G900

REF. NO.	PART NO.	DESCRIPTION	REF. NO.	PART NO.	DESCRIPTION	REF. NO.	PART NO.	DESCRIPTION
724	697478	Retainer–Seal	871	699643	Bushing–Valve Guide (Exhaust Valve) (Used After Code Date 03080300).	957	497929	Cap–Fuel Tank
741	691805	Gear–Timing				969	692523	Screw (Blower Housing Cover) Used on Type No(s). 0100.
745	691146	Screw (Brake) (7/8" Long) Used on Type No(s). 0100.			----- Note ----- 231348 Bushing–Valve Guide (Exhaust Valve) (Used Before Code Date 03080400).	976	694394	Primer–Carburetor
745A	690859	Screw (Brake) (1/2" Long) Used on Type No(s). 0100.			63709 Bushing–Valve Guide (Intake Valve)	1019	697579	Kit–Label
842	691870	Seal–O Ring (Dipstick Tube)	883	691880	Gasket–Exhaust	1036		Label–Emissions (Available from Authorized Briggs & Stratton Service Dealer)
851	493880	Terminal–Spark Plug	913	494409	Seat–Check Valve	1058	276231	Operator’s Manual
869	699641	Seat–Valve (Intake) (Used After Code Date 03080300). ----- Note ----- 691701 Seat–Valve (Intake) (Used Before Code Date 03080400).	921	699796	Cover–Blower Housing Used on Type No(s). 0144.	1095	498526	Gasket Set–Valve
870	699642	Seat–Valve (Exhaust) (Used After Code Date 03080300). ----- Note ----- 691702 Seat–Valve (Exhaust) (Used Before Code Date 03080400).	922	692135	Spring–Brake Used on Type No(s). 0100.	1210	499901	Pulley/Spring Assembly (Pulley)
			923	691487	Brake Used on Type No(s). 0100.	1211	499901	Pulley/Spring Assembly (Spring)
			925	691349	Cover–Linkage Used on Type No(s). 0100.	1218	695866	Seal–O Ring (Carburetor)
						1330	270962	Repair Manual

★ Engine Gasket Set–Reference 358

△ Valve Gasket Set–Reference 1095