



**9F900**

# Illustrated Parts List

## Model Series

### 9F900

TYPE NUMBERS  
0100, 0111, 0112.

### TABLE OF CONTENTS

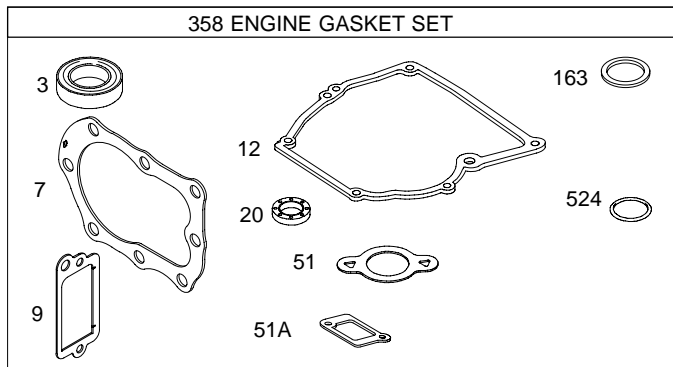
Air Cleaner .....	5
Blower Housing .....	6
Brake .....	5
Cams .....	3
Carburetor .....	4
Controls .....	5
Covers .....	5
Crankcase Cover/Sump .....	3
Crankshaft .....	3
Cylinder .....	2
Flywheel .....	6
Fuel Tank .....	4
Gasket Sets-Engine/Valve .....	2
Governor Spring .....	5
Head .....	2
Ignition .....	5
Muffler .....	5
Oil Group .....	2
Piston Group .....	3
Rewind .....	6
Valves .....	3



PRINTED IN U.S.A.

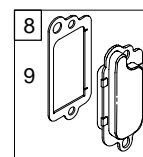
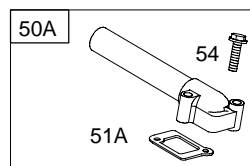
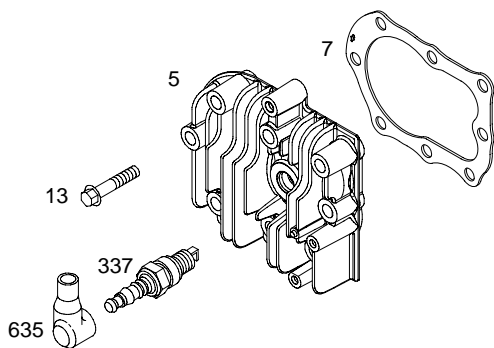
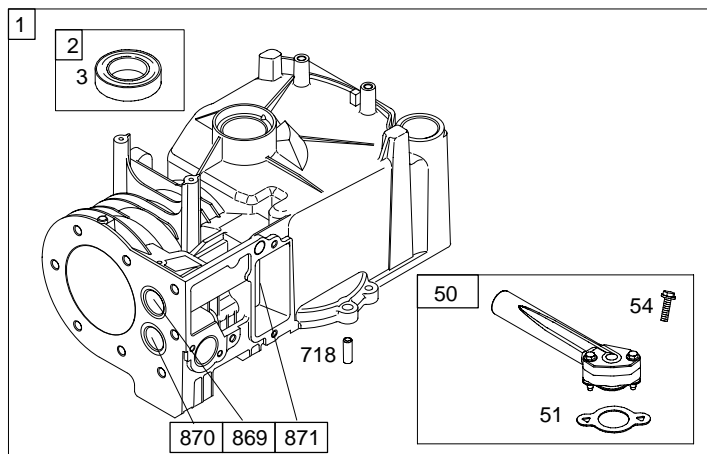
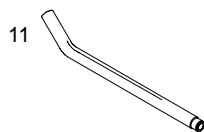
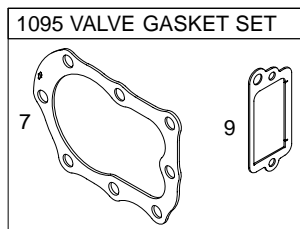
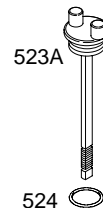
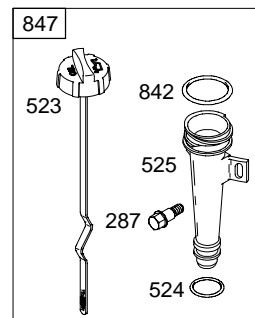
COPYRIGHT by BRIGGS & STRATTON CORPORATION  
All rights reserved. No part of this material may be reproduced or transmitted, in any form or by any means, electronic or mechanical, including photocopying, recording or by any information storage and retrieval system, without permission in writing from Briggs & Stratton Corporation.

# 9F900



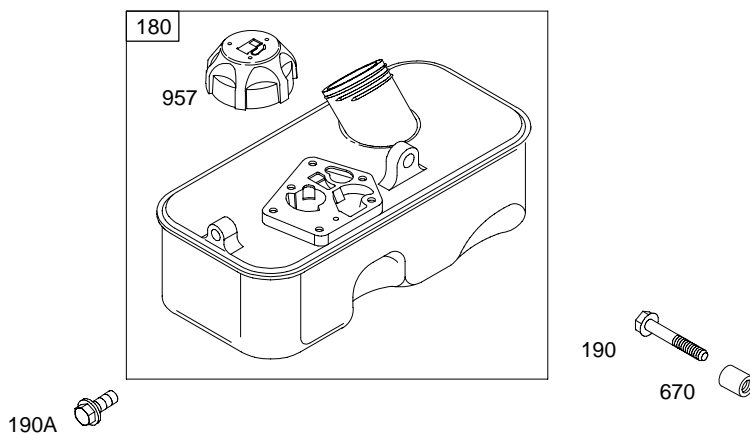
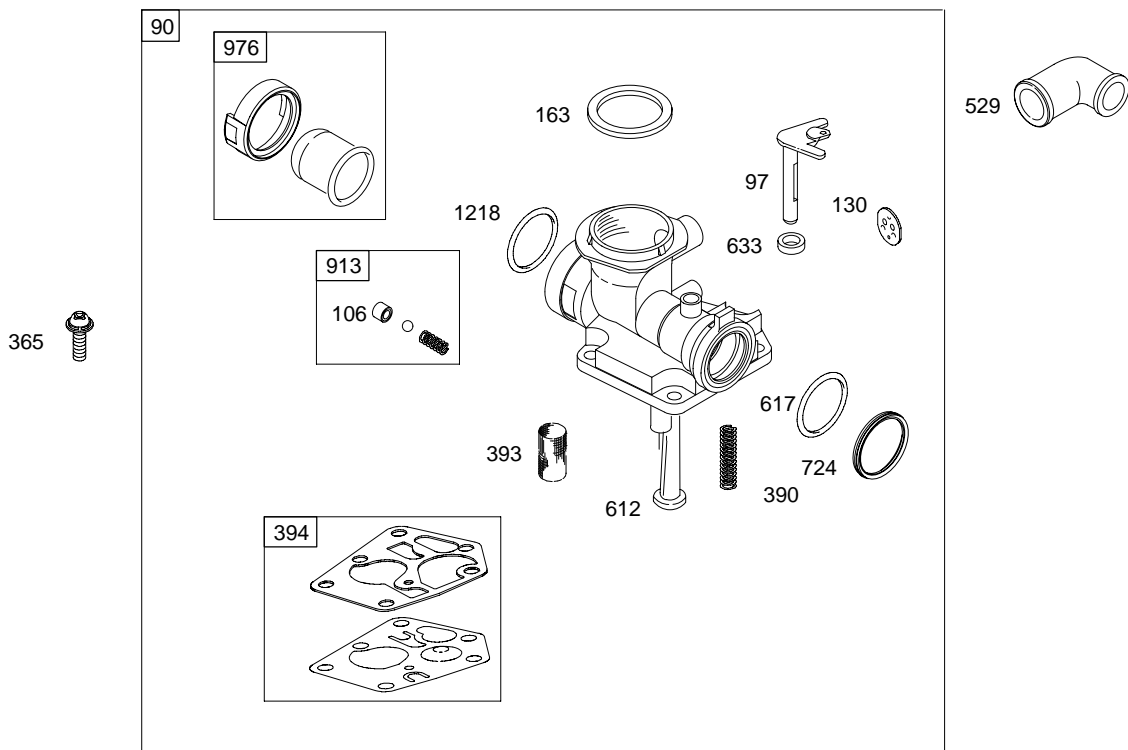
1058 OWNER'S MANUAL

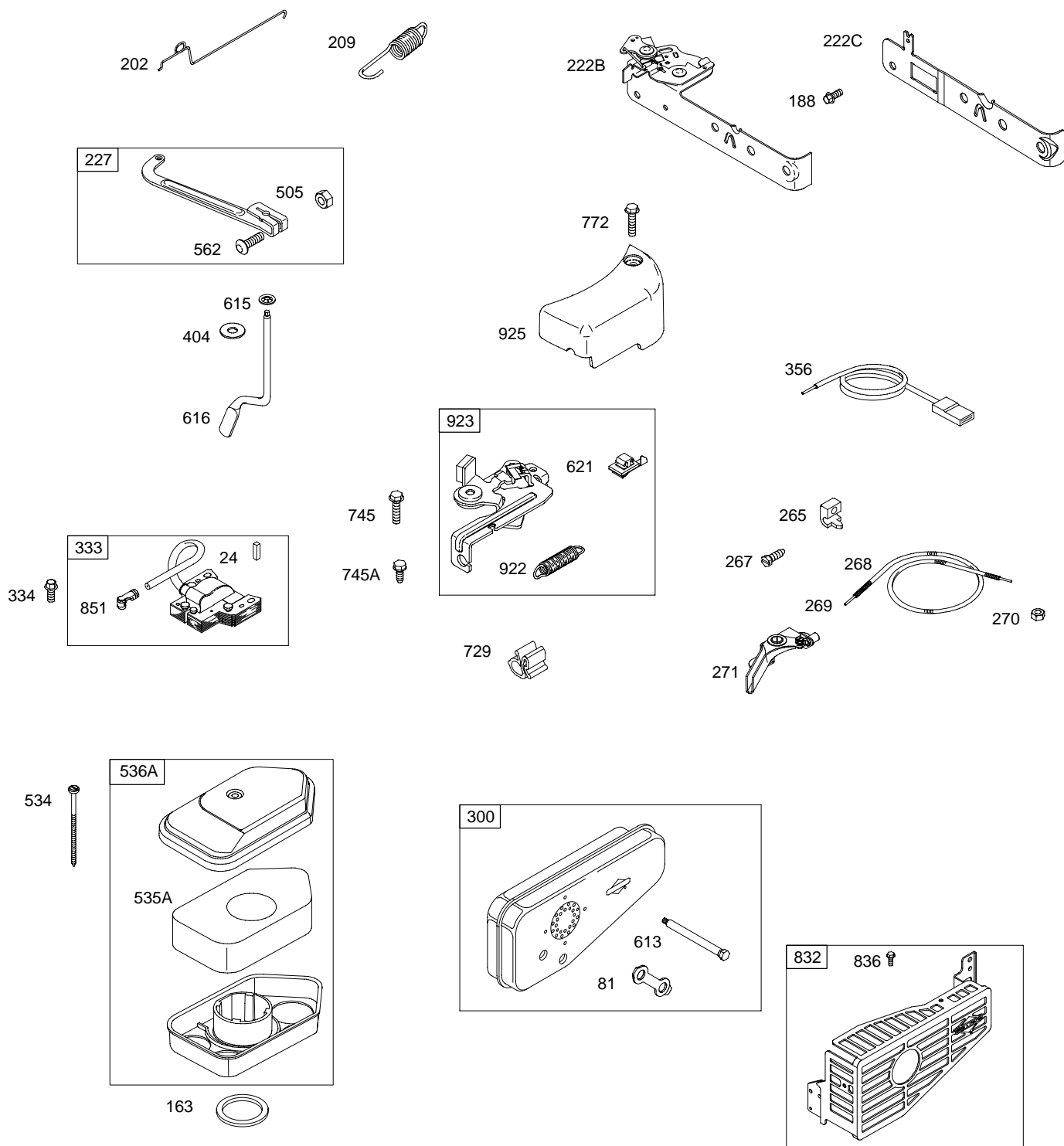
1330 REPAIR MANUAL





# 9F900

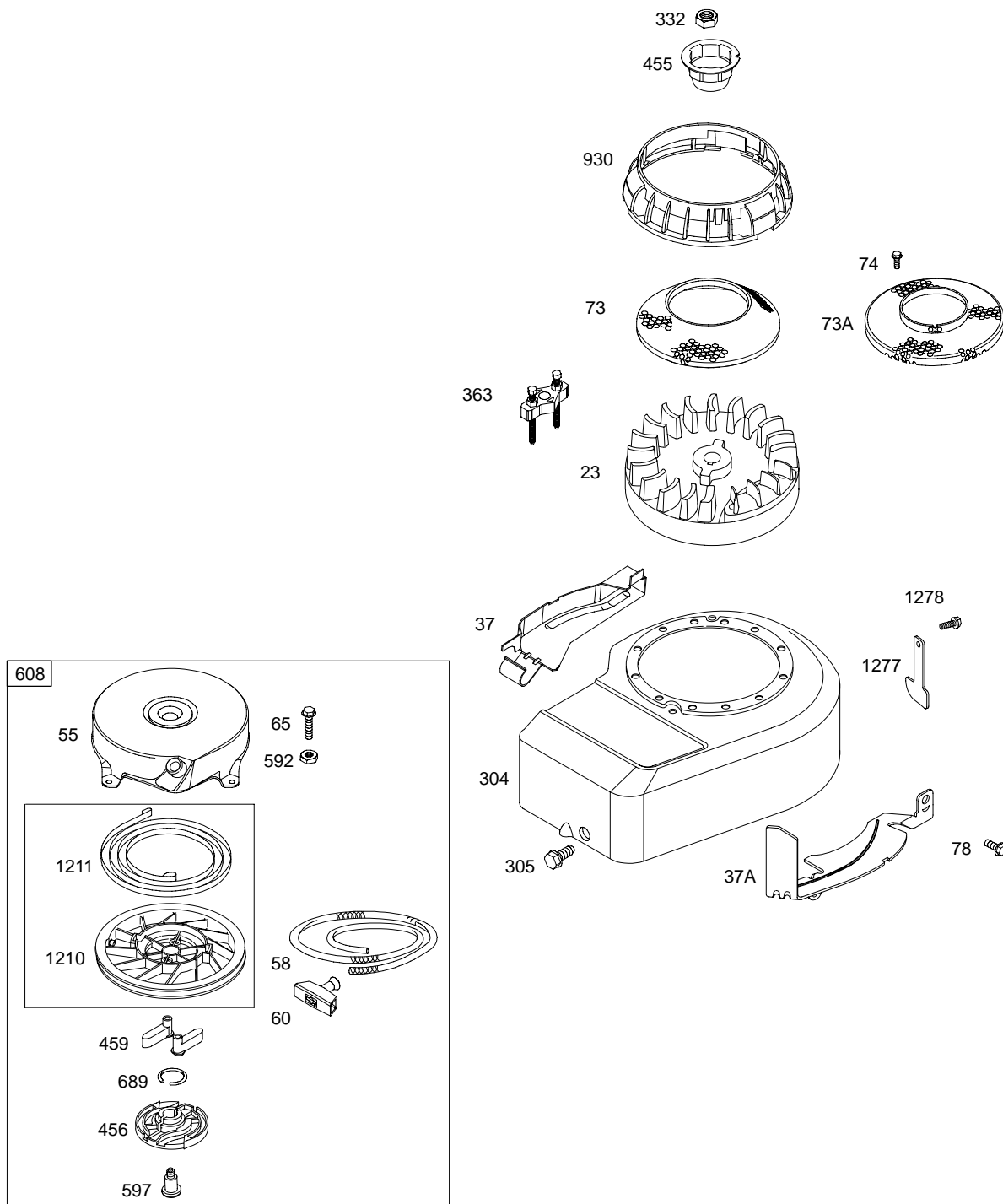




# 9F900

1036 EMISSIONS LABEL

1019 LABEL KIT



**9F900**

REF. NO.	PART NO.	DESCRIPTION	REF. NO.	PART NO.	DESCRIPTION	REF. NO.	PART NO.	DESCRIPTION
1	699650	Cylinder Assembly	23	692009	Flywheel	27	691588	Lock-Piston Pin
2	399269	Kit-Bushing/Seal (Magneto Side)	24	222698	Key-Flywheel	28	699659	Pin-Piston (Standard) (1 23/32" Long)
3	★299819	Seal-Oil (Magneto Side)	25	790908	Piston Assembly (Standard) (Used After Code Date 04111400).			----- <b>Note</b> ----- <b>298909</b> Pin-Piston (Standard) (1 29/32" Long)
4	698691	Sump-Engine			----- <b>Note</b> ----- <b>699657</b> Piston Assembly (Standard) (Used After Code Date 03072800 and Before Code Date 04111500).	29	699655	Rod-Connecting (Used After Code Date 03093000).
5	790169	Head-Cylinder			----- <b>Note</b> ----- <b>699656</b> Piston Assembly (Standard) (Used Before Code Date 03072800). (.020" Oversize)			----- <b>Note</b> ----- <b>699654</b> Rod- Connecting (Standard) (Used After Code Date 03072700 and Before Code Date 03100100).
7	★△698717	Gasket-Cylinder Head			<b>26</b> <b>790909</b> Ring Set (Standard) (Used After Code Date 04111400).			<b>294367</b> Rod- Connecting (Standard) (Used Before Code Date 03072800).
8	699640	Breather Assembly			----- <b>Note</b> ----- <b>699658</b> Ring Set (Standard) (Used After Code Date 03072800 and Before Code Date 04111500).	32	691664	Screw (Connecting Rod)
9	★△695890	Gasket-Breather			<b>498680</b> Ring Set (Used Before Code Date 03072800).	33	296676	Valve-Exhaust
10	691666	Screw (Breather Assembly)			<b>498682</b> Ring Set (.020" Oversize) (Used Before Code Date 03072800).	34	296677	Valve-Intake
11	691245	Tube-Breather				35	690520	Spring-Valve (Intake)
12	★692218	Gasket-Crankcase (.015" Thick) (Standard) ----- <b>Note</b> ----- <b>270895</b> Gasket- Crankcase (.005" Thick) <b>270896</b> Gasket- Crankcase (.009" Thick)				36	690520	Spring-Valve (Exhaust)
13	691640	Screw (Cylinder Head)				37	697403	Guard-Flywheel (Carburetor Side)
15	691680	Plug-Oil Drain				37A	691209	Guard-Flywheel (Muffler Side)
16	692990	Crankshaft				40	692194	Retainer-Valve
20	★391483	Seal-Oil (PTO Side)				43	697799	Slinger-Governor/Oil
22	692551	Screw (Crankcase Cover/Sump)				45	691762	Tappet-Valve
						46	691998	Camshaft

★ Engine Gasket Set-Reference 358

△ Valve Gasket Set-Reference 1095

# 9F900

REF. NO.	PART NO.	DESCRIPTION	REF. NO.	PART NO.	DESCRIPTION	REF. NO.	PART NO.	DESCRIPTION
50	699644	Manifold-Intake (Used After Code Date 03072700).	209	698719	Spring-Governor (Light Blue) (Used After Code Date 02091500). Used on Type No(s). 0100.	265A	690798	Clamp-Casing
50A	693446	Manifold-Intake (Used Before Code Date 03072800).				267	691044	Screw (Casing Clamp)
51	★699649	Gasket-Intake (Used After Code Date 03072700).				268	691072	Casing-Control Wire (Cut to Required Length)
51A	270345	Gasket-Intake (Used Before Code Date 03072800).				269	691026	Wire-Control (Cut to Required Length)
54	691111	Screw (Intake Manifold)				270	691027	Nut (Control Wire Casing)
55	692144	Housing-Rewind Starter				271	691028	Lever-Control
58	697316	Rope-Starter (88 5/8" Long)				287	691002	Screw (Dipstick Tube)
60	691915	Grip-Starter Rope				300	692307	Muffler (Super Lo Tone)
65	690837	Screw (Rewind Starter)				304	698046	Housing-Blower (Non Compliance Engines)
73	699850	Screen-Rotating (Used After Code Date 03082400).				305	692198	Screw (Blower Housing)
73A	694018	Screen-Rotating (Used Before Code Date 03082500).				332	690662	Nut (Flywheel)
74	691627	Screw (Rotating Screen)				333	496914	Armature-Magneto
78	692198	Screw (Flywheel Guard)				334	691061	Screw (Magneto Armature)
81	691179	Lock-Muffler Screw				337	802592	Plug-Spark Used on Type No(s). 0100.
90	697800	Carburetor	222B	697410	Bracket-Control Used on Type No(s). 0100, 0112.			----- Note ----- 697451 Plug-Spark Used on Type No(s). 0111, 0112.
97	697414	Shaft-Throttle	222C	698725	Bracket-Control Used on Type No(s). 0111. (Used After Code Date 02091500).	356	692390	Wire-Stop
106	691901	Seat-Inlet				358	699933	Gasket Set-Engine
130	691190	Valve-Throttle				363	19069	Puller-Flywheel
163	★271139	Gasket-Air Cleaner				365	790029	Screw (Carburetor)
180	494406	Tank-Fuel				383	89838	Wrench-Spark Plug
188	692198	Screw (Control Bracket)				390	691839	Spring-Choke Diaphragm
190	691640	Screw (Fuel Tank) (To Cylinder)				393	691837	Screen-Carburetor
190A	692198	Screw (Fuel Tank) (7/16" Long)				394	495770	Diaphragm-Carburetor
202	698835	Link-Mechanical Governor	227	697402	Lever-Governor Control	404	690272	Washer (Governor Crank)
						455	691236	Cup-Flywheel
						456	692299	Plate-Pawl Friction
						459	281505	Pawl-Ratchet

★ Engine Gasket Set-Reference 358

△ Valve Gasket Set-Reference 1095



**9F900**

REF. NO.	PART NO.	DESCRIPTION	REF. NO.	PART NO.	DESCRIPTION	REF. NO.	PART NO.	DESCRIPTION
505	691251	Nut (Governor Control Lever)	718	690959	Pin-Locating (Cylinder)	871	699643	Bushing-Valve Guide (Exhaust Valve)
523	692040	Dipstick Used on Type No(s). 0112.	718A	499047	Pin-Locating (Crankshaft)			(Used After Code Date 03080300).
523A	691913	Dipstick Used on Type No(s). 0100, 0111.	724	697478	Retainer-Seal			----- <b>Note</b> -----
524	★691876	Seal-Dipstick Tube Used on Type No(s). 0100, 0111, 0112.	729	690586	Clip-Wire			<b>231348</b> Bushing-Valve Guide
525	691320	Tube-Dipstick Used on Type No(s). 0112.	741	691805	Gear-Timing			(Exhaust Valve)
529	692189	Grommet	745	691146	Screw (Brake) (7/8" Long)			(Used Before Code Date 03080400).
534	691417	Screw (Air Cleaner)	745A	690859	Screw (Brake) (1/2" Long)			<b>63709</b> Bushing-Valve Guide
535A	698369	Filter-Air Cleaner Foam	772	691111	Screw (Linkage Cover)	913	494409	Seat-Check Valve
536A	698472	Cleaner-Air	832	790743	Guard-Muffler (Super Lo Tone)	922	692135	Spring-Brake
562	92613	Bolt (Governor Control Lever)			Used on Type No(s). 0111, 0112.	923	691487	Brake
592	690800	Nut (Rewind Starter)	836	790745	Screw (Muffler Guard)	925	691349	Cover-Linkage
597	691696	Screw (Pawl Friction Plate)			Used on Type No(s). 0111, 0112.	930	691348	Guard-Rewind Used on Type No(s). 0100.
608	499706	Starter-Rewind	842	★691870	Seal-O Ring (Dipstick Tube) Used on Type No(s). 0112.	957	497929	Cap-Fuel Tank
612	496046	Tube-Pick Up	847	691440	Dipstick/Tube Assembly Used on Type No(s). 0112.	976	694394	Primer-Carburetor
613	691413	Screw (Muffler)				1019	496757	Kit-Label
615	690340	Retainer-Governor Shaft	851	493880	Terminal-Spark Plug	1036		Label-Emissions (Available from Authorized Briggs & Stratton Service Dealer)
616	697405	Crank-Governor	869	699641	Seat-Valve (Intake) (Used After Code Date 03080300).	1058	276231	Operator's Manual
617	270344	Seal-O Ring (Intake Manifold)				1095	498526	Gasket Set-Valve
621	692310	Switch-Stop				1210	499901	Pulley/Spring Assembly (Pulley)
633	691321	Seal-Choke/Throttle Shaft (Throttle)				1211	499901	Pulley/Spring Assembly (Spring)
635	66538	Boot-Spark Plug Used on Type No(s). 0100, 0111.	870	699642	Seat-Valve (Exhaust) (Used After Code Date 03080300).	1218	695866	Seal-O Ring (Carburetor)
670	691633	Spacer-Fuel Tank				1277	698718	Guard-Governor Nut
689	691855	Spring-Friction				1278	691002	Screw (Governor Guard Nut)
						1330	270962	Repair Manual

★ Engine Gasket Set-Reference 358

△ Valve Gasket Set-Reference 1095