



9D900

Illustrated Parts List

Model Series

9D900

TYPE NUMBERS
1607 through 2225.

TABLE OF CONTENTS

Air Cleaner	5
Blower Housing	6
Brake	7
Cams	3
Carburetor	4
Controls	5
Covers	7
Crankcase Cover/Sump	3
Crankshaft	3
Cylinder	2
Flywheel	6
Fuel Tank	4
Gasket Sets-Engine/Valve	2
Governor Spring	5
Head	2
Ignition	5
Muffler	5
Oil	2
Piston Group	3
Rewind	6
Valves	3



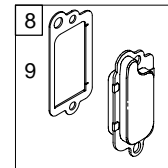
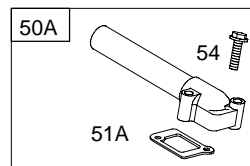
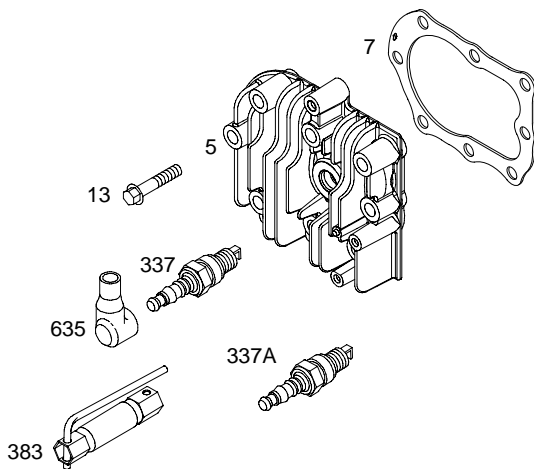
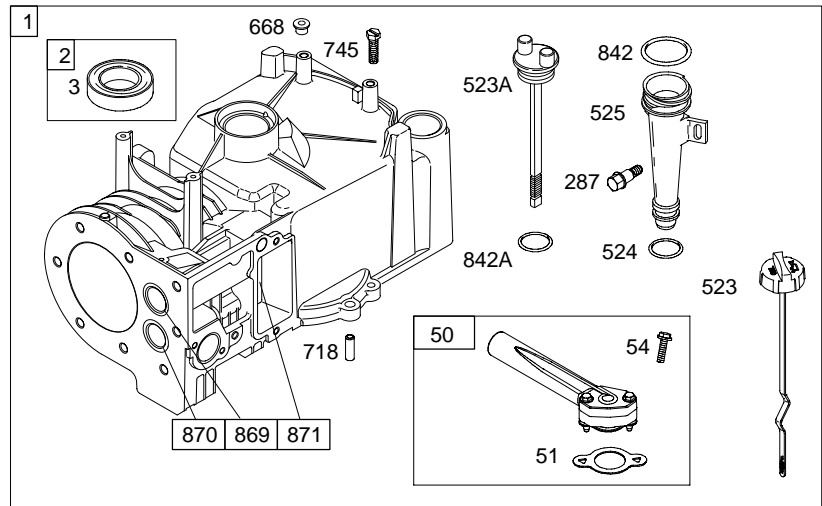
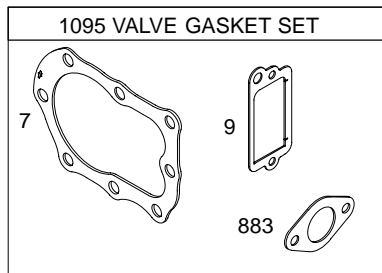
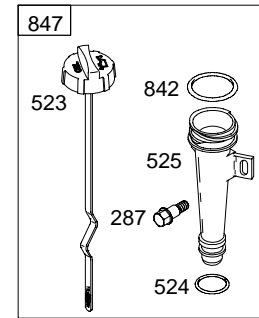
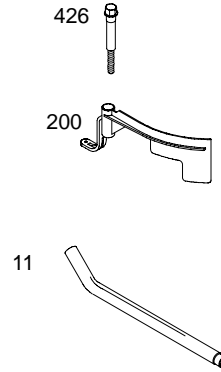
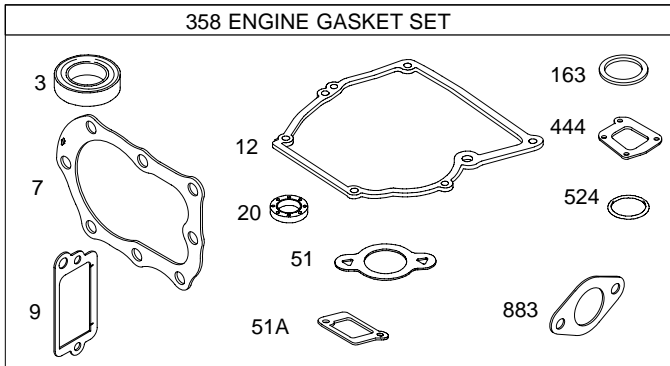
PRINTED IN U.S.A.

COPYRIGHT by BRIGGS & STRATTON CORPORATION
All rights reserved. No part of this material may be reproduced or transmitted, in any form or by any means, electronic or mechanical, including photocopying, recording or by any information storage and retrieval system, without permission in writing from Briggs & Stratton Corporation.

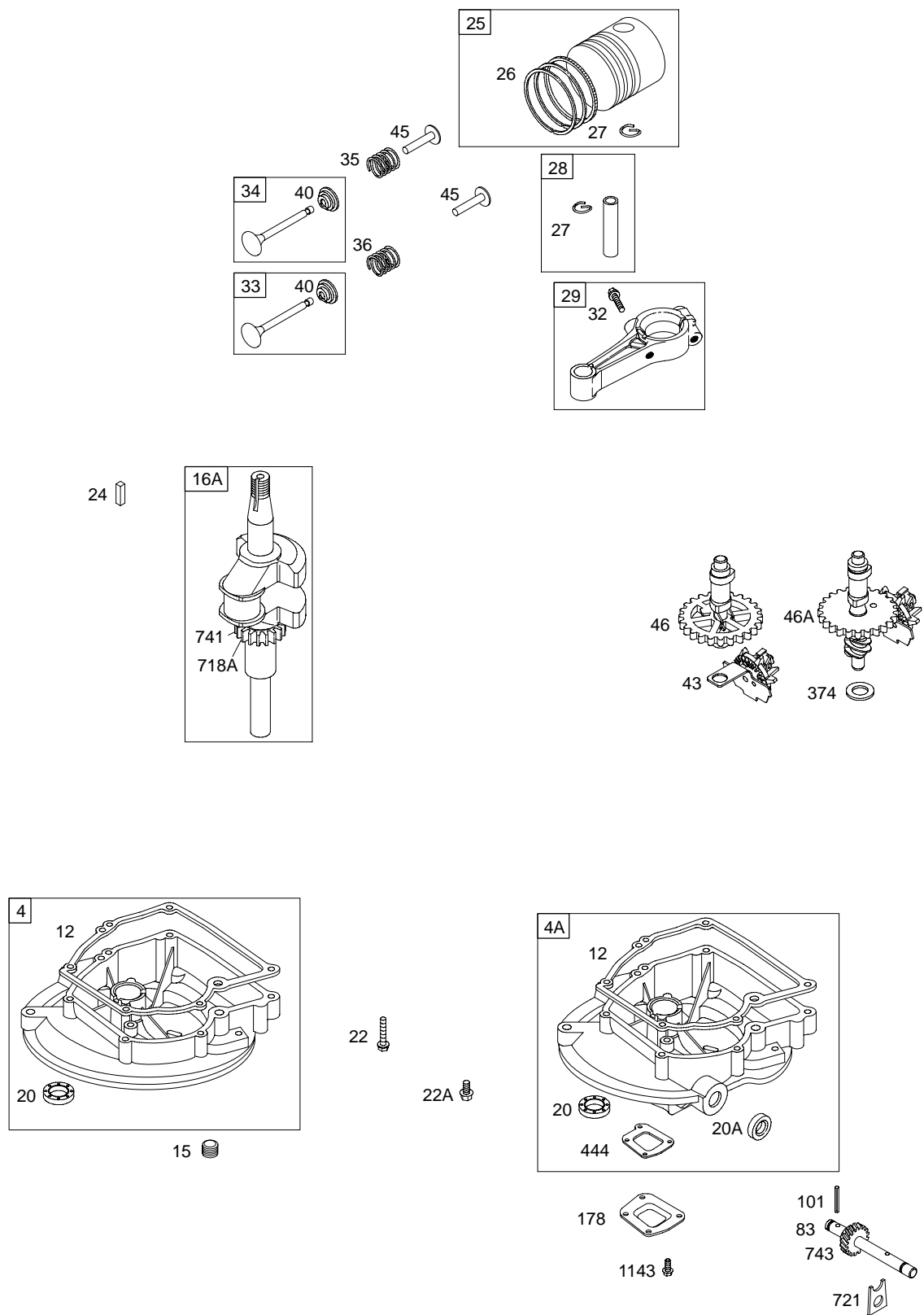
9D900

1058 OWNER'S MANUAL

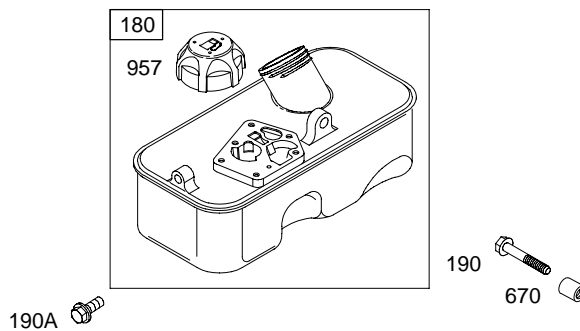
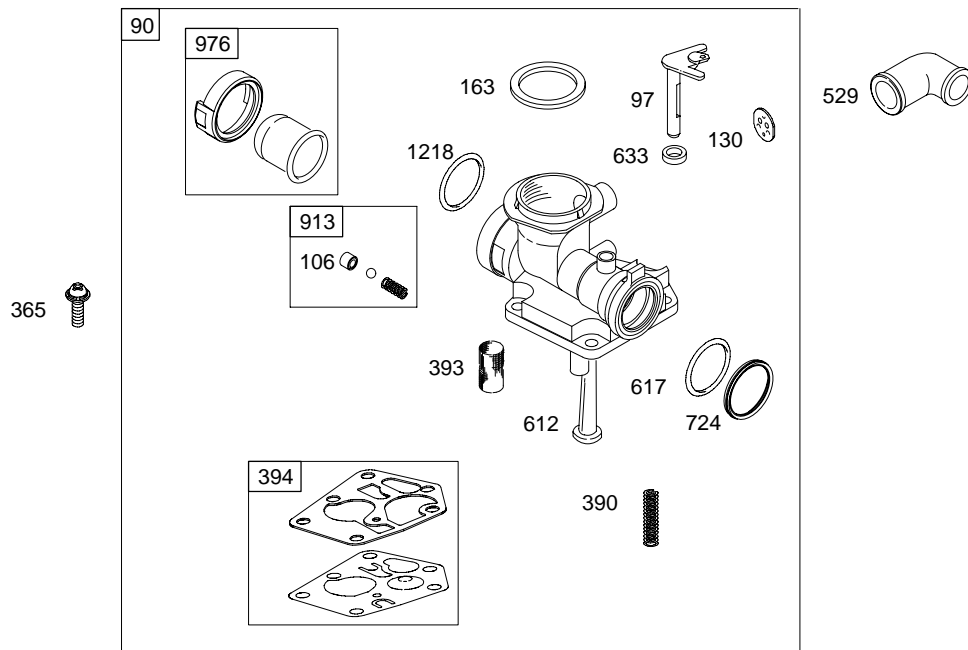
1330 REPAIR MANUAL

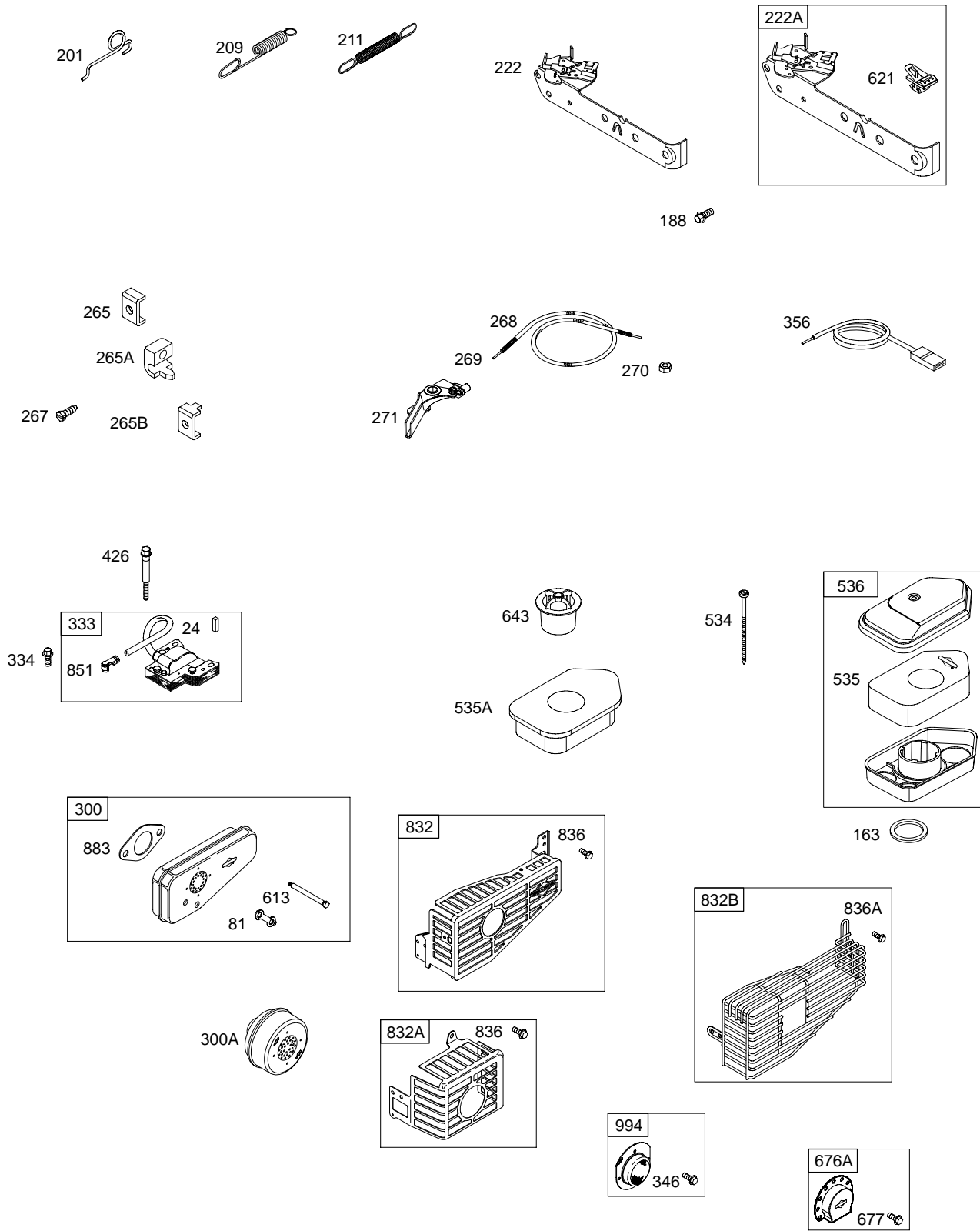


10



9D900

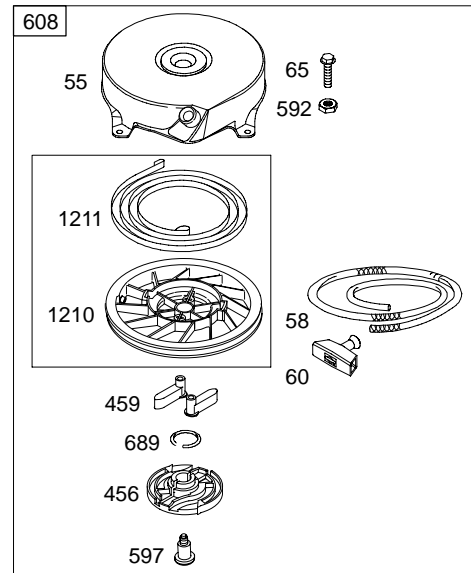
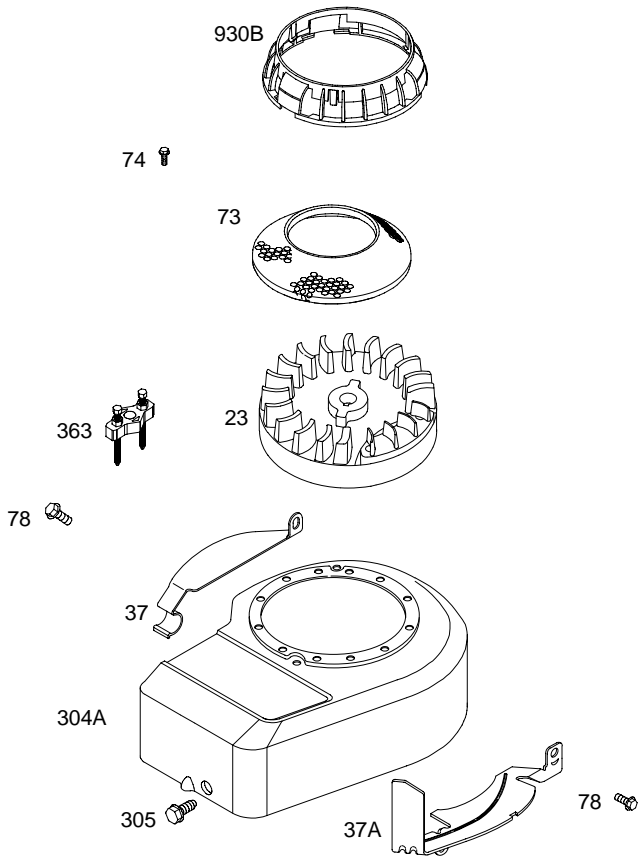




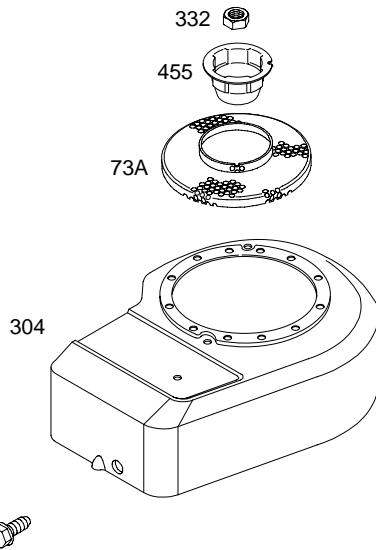
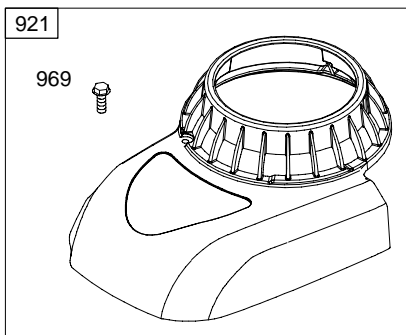
9D900

1019 LABEL KIT

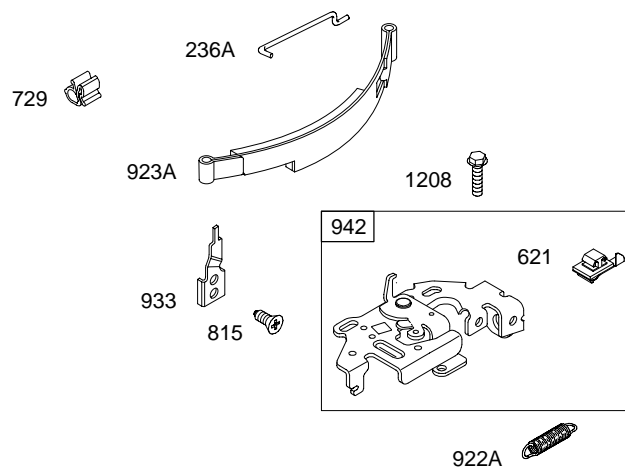
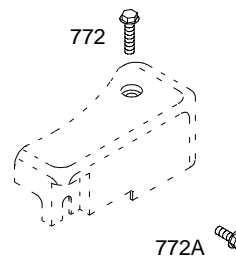
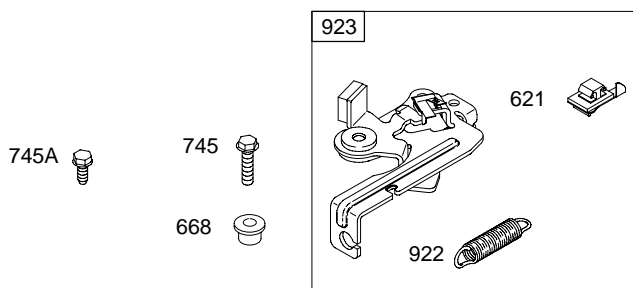
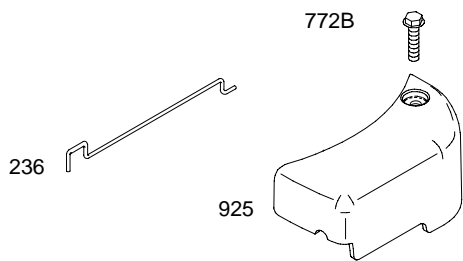
1036 EMISSIONS LABEL



NON-COMPLIANCE



COMPLIANCE



9D900

REF. NO.	PART NO.	DESCRIPTION	REF. NO.	PART NO.	DESCRIPTION	REF. NO.	PART NO.	DESCRIPTION		
1	699653	Cylinder Assembly	16A	492086	Crankshaft	24	222698	Key-Flywheel		
2	399269	Kit-Bushing/Seal (Magneto Side)			----- Note -----	25	790908	Piston Assembly (Standard)		
3	*299819	Seal-Oil (Magneto Side)			692990 Crankshaft Used on Type No(s). 2001, 2007, 2010, 2011, 2018, 2027, 2029, 2031, 2032, 2035, 2038, 2039, 2040, 2050, 2060, 2089, 2093, 2095, 2112, 2137, 2200, 2201, 2202, 2210, 2223.			(Used After Code Date 04111400).		
4	698691	Sump-Engine (Used After Code Date 02111200).			692991 Crankshaft Used on Type No(s). 1607, 2003, 2005, 2008, 2020, 2024, 2079, 2084, 2209, 2212, 2213, 2218.			----- Note ----- 699657 Piston Assembly (Standard) (Used After Code Date 030803000 and Before Code Date 04111500).		
		----- Note ----- 395384 Sump-Engine (Used Before Code Date 02111300).			791342 Crankshaft Used on Type No(s). 2222.			498668 Piston Assembly (Standard) (Used After Code Date 96020500 and Before Code Date 03080400).		
4A	395390	Sump-Engine (Auxiliary Drive) Used on Type No(s). 2010, 2016, 2018, 2202, 2221.	20	*391483	Seal-Oil (PTO Side)	26	790909	Ring Set (Standard) (Used After Code Date 04111400).		
5	790169	Head-Cylinder	20A	*691952	Seal-Oil (PTO Side) (Auxiliary Drive) Used on Type No(s). 2010, 2016, 2018, 2202, 2221.			----- Note ----- 699658 Ring Set (Standard) (Used After Code Date 030803000 and Before Code Date 04111500).		
7	*Δ698717	Gasket-Cylinder Head			22	692551	Screw (Crankcase Cover/Sump) (1 5/32" Long)	498680 Ring Set (Standard) (Used After Code Date 96020500 and Before Code Date 03080400).		
8	699640	Breather Assembly			22A	691108	Screw (Crankcase Cover/Sump) (19/32" Long) Used on Type No(s). 2010, 2016, 2018, 2202, 2221.	498682 Ring Set (.020" Oversize) (Used Before Code Date 04111500).		
9	*Δ695890	Gasket-Breather						27	691588	Lock-Piston Pin
10	691666	Screw (Breather Assembly)			23	692009	Flywheel	28	699659	Pin-Piston (Standard) (Used After Code Date 03080300).
11	691245	Tube-Breather								----- Note ----- 298909 Pin-Piston (Standard) (Used Before Code Date 03080400).
12	*692218	Gasket-Crankcase (.015" Thick) (Standard)								
		----- Note ----- 270895 Gasket- Crankcase (.005" Thick) 270896 Gasket- Crankcase (.009" Thick)								
13	691640	Screw (Cylinder Head)								
15	691680	Plug-Oil Drain								

* Engine Gasket Set-Reference 358

Δ Valve Gasket Set-Reference 1095

9D900

REF. NO.	PART NO.	DESCRIPTION	REF. NO.	PART NO.	DESCRIPTION	REF. NO.	PART NO.	DESCRIPTION
29	699655	Rod-Connecting (Standard) (Used After Code Date 03080300). ----- Note ----- 294367 Rod-Connecting (Standard) (Used Before Code Date 03080400).	55	692144	Housing-Rewind Starter	209	691297	Spring-Governor (White)
32	691664	Screw (Connecting Rod)	58	697316	Rope-Starter (88 5/8" Long)			----- Note ----- 690251 Spring-Governor (Yellow) Used on Type No(s). 2000, 2002, 2004, 2006, 2010, 2012, 2013, 2018, 2019, 2020, 2021, 2022, 2024, 2025, 2026, 2029, 2031, 2032, 2033, 2036, 2049, 2061, 2084, 2089, 2090, 2091, 2092, 2093, 2094, 2096, 2113, 2128, 2137, 2200, 2201, 2202, 2212, 2213, 2218, 2219, 2221, 2223, 2225.
33	296676	Valve-Exhaust	60	691915	Grip-Starter Rope			690254 Spring-Governor (Light Blue) Used on Type No(s). 2016, 2051, 2112, 2207, 2220, 2224.
34	296677	Valve-Intake	65	690837	Screw (Rewind Starter)			690250 Spring-Governor (Light Green) Used on Type No(s). 2034, 2040, 2095, 2112, 2209, 2210.
35	690520	Spring-Valve (Intake)	73	699850	Screen-Rotating (Used After Code Date 03082400).	211	691859	Spring-Governed Idle
36	690520	Spring-Valve (Exhaust)	73A	694018	Screen-Rotating (Used Before Code Date 03082500).	222	691446	Bracket-Control
37	690482	Guard-Flywheel (Carburetor Side)	74	691627	Screw (Rotating Screen)	222A	691445	Bracket-Control Used on Type No(s). 2003, 2015, 2016, 2019, 2020, 2021, 2025, 2026, 2028, 2034, 2038, 2040, 2050, 2051, 2061, 2090, 2091, 2094, 2095, 2112, 2128, 2137, 2200, 2207, 2209, 2210, 2220, 2224.
37A	691209	Guard-Flywheel (Muffler Side)	78	692198	Screw (Flywheel Guard)			
40	692194	Retainer-Valve	81	691179	Lock-Muffler Screw			
43	698690	Slinger-Governor/Oil (Used After Code Date 02110400). ----- Note ----- 691983 Slinger-Governor/Oil (Used Before Code Date 02110500).	83	691240	Shaft-Auxiliary Drive Used on Type No(s). 2010, 2016, 2018, 2221. ----- Note ----- 690514 Shaft-Auxiliary Drive Used on Type No(s). 2202.			
45	691762	Tappet-Valve	90	498809	Carburetor			
46	691998	Camshaft	97	691931	Shaft-Throttle			
46A	690644	Camshaft (Counterclockwise) Used on Type No(s). 2010, 2016, 2202, 2221.	101	691623	Pin-Shaft (Drive Gear)			
50	699644	Manifold-Intake (Used After Code Date 03080300).	106	691901	Seat-Inlet			
50A	693446	Manifold-Intake (Used Before Code Date 03080400).	130	691190	Valve-Throttle			
51	*699649	Gasket-Intake (Used After Code Date 03080300).	163	*271139	Gasket-Air Cleaner			
51A	270345	Gasket-Intake (Used Before Code Date 03080400).	178	690398	Cover-Drive Gear			
54	691111	Screw (Intake Manifold)	180	494406	Tank-Fuel			
			188	692198	Screw (Control Bracket)			
			190	691640	Screw (Fuel Tank) (1 3/4" Long)			
			190A	692198	Screw (Fuel Tank) (1/2" Long)			
			200	691912	Blade-Governor			
			201	690347	Link-Air Vane			

* Engine Gasket Set-Reference 358

Δ Valve Gasket Set-Reference 1095

9D900

REF. NO.	PART NO.	DESCRIPTION	REF. NO.	PART NO.	DESCRIPTION	REF. NO.	PART NO.	DESCRIPTION
236	691867	Link-Lockout Used on Type No(s). 2019, 2137. (Used After Code Date 97071300).	332	690662	Nut (Flywheel)	535	698369	Filter-Air Cleaner Foam (Used After Code Date 02101000).
236A	691826	Link-Lockout Used on Type No(s). 2019. (Used Before Code Date 97071400).	333	496914	Armature-Magneto	535A	272235	Filter-Air Cleaner Foam (Used Before Code Date 02101100).
265	692179	Clamp-Casing	334	691061	Screw (Magneto Armature)	536	698472	Cleaner-Air
265A	690798	Clamp-Casing Used on Type No(s). 2001, 2005, 2007, 2010, 2024, 2026, 2050, 2060, 2084, 2095, 2112, 2200, 2207, 2209, 2212, 2213.	337	802592	Plug-Spark	592	690800	Nut (Rewind Starter)
265B	691024	Clamp-Casing Used on Type No(s). 2021, 2090, 2091, 2201.	337A	697451	Plug-Spark Used on Type No(s). 2000, 2003, 2006, 2009, 2012, 2016, 2018, 2019, 2020, 2021, 2026, 2027, 2032, 2033, 2034, 2035, 2040, 2049, 2051, 2061, 2089, 2091, 2094, 2095, 2096, 2128, 2137, 2207, 2222, 2223, 2224, 2225.	597	691696	Screw (Pawl Friction Plate)
267	691044	Screw (Casing Clamp)	346	690661	Screw (Spark Arrestor)	608	499706	Starter-Rewind (88 5/8" Rope) ----- Note ----- 690101 Starter- Rewind (70" Rope)
268	691072	Casing-Control Wire	356	692390	Wire-Stop	612	496046	Tube-Pick Up
269	691026	Wire-Control	358	699933	Gasket Set-Engine	613	691413	Screw (Muffler)
270	691027	Nut (Control Wire Casing)	363	19069	Puller-Flywheel	617	270344	Seal-O Ring (Intake Manifold)
271	691028	Lever-Control	365	790029	Screw (Carburetor)	621	692310	Switch-Stop
287	691002	Screw (Dipstick Tube)	374	691074	Washer (Camshaft) Used on Type No(s). 2010, 2016, 2018, 2221.	633	691321	Seal-Choke/Throttle Shaft (Throttle)
300	692307	Muffler (Super Lo Tone)	383	89838	Wrench-Spark Plug	635	66538	Boot-Spark Plug
300A	394569	Muffler (Round Lo Tone)	390	691839	Spring-Choke Diaphragm	643	691911	Retainer-Air Filter (Used Before Code Date 02101100).
304	691484	Housing-Blower (Compliance Engines) ----- Note ----- 694236 Housing- Blower (Compliance Engines) Used on Type No(s). 2096, 2223, 2225.	393	691837	Screen-Carburetor	668	692889	Spacer (Cylinder)
304A	692536	Housing-Blower (Non Compliance Engines) ----- Note ----- 694051 Housing- Blower (Non Compliance Engines) Used on Type No(s). 2051, 2061.	394	495770	Diaphragm-Carburetor	670	691633	Spacer-Fuel Tank
305	692198	Screw (Blower Housing)	426	691107	Screw (Governor Blade)	676A	393760	Deflector-Muffler (Side Out) Used on Type No(s). 2026, 2207, 2209, 2212.
			444	★691868	Gasket-Drive Gear Cover	677	690661	Screw (Muffler Deflector)
			455	691236	Cup-Flywheel	689	691855	Spring-Friction
			456	692299	Plate-Pawl Friction	718	690959	Pin-Locating (Cylinder)
			459	281505	Pawl-Ratchet	718A	499047	Pin-Locating (Crankshaft)
			523	692040	Dipstick	721	690397	Stop-Shaft
			523A	691913	Dipstick	724	697478	Retainer-Seal
			524	★691876	Seal-Dipstick Tube	729	690586	Clip-Wire
			525	691320	Tube-Dipstick	741	691805	Gear-Timing
			529	692189	Grommet	743	691772	Gear-Drive (Counterclockwise) Used on Type No(s). 2010, 2016, 2202, 2221.
			534	691417	Screw (Air Cleaner)			

★ Engine Gasket Set-Reference 358

△ Valve Gasket Set-Reference 1095

9D900

REF. NO.	PART NO.	DESCRIPTION	REF. NO.	PART NO.	DESCRIPTION	REF. NO.	PART NO.	DESCRIPTION
745	691146	Screw (Brake) (7/8" Long)	842	★691870	Seal-O Ring (Dipstick Tube)	922	692135	Spring-Brake
745A	690859	Screw (Brake) (1/2" Long)	842A	691876	Seal-O Ring (Dipstick Tube)	922A	691809	Spring-Brake
772	691183	Screw (Linkage Cover) (3/4" Long) (Top)	847	691440	Dipstick/Tube Assembly	923	691487	Brake
772A	690345	Screw (Linkage Cover) (7/16" Long) (Front)	851	493880	Terminal-Spark Plug	923A	394867	Brake
772B	691111	Screw (Linkage Cover) (1 1/8" Long) (Front)	869	699641	Seat-Valve (Intake) (Used After Code Date 03080300).	925	691349	Cover-Linkage (Used After Code Date 97071300).
815	690324	Screw (Band Brake Pivot)			----- Note -----	930B	691348	Guard-Rewind
832	699299	Guard-Muffler (Super Lo Tone)			691701 Seat-Valve (Intake) (Used Before Code Date 03080400).	933	690428	Pivot-Band Brake
832A	699670	Guard-Muffler (Round Lo Tone)	870	699642	Seat-Valve (Exhaust) (Used After Code Date 03080300).	942	493248	Bracket-Brake (Used Before Code Date 97071400).
832B	790743	Guard-Muffler Used on Type No(s). 2006, 2016, 2019, 2021, 2027, 2032, 2033, 2049, 2051, 2061, 2089, 2094, 2096, 2128, 2137, 2207, 2223, 2224, 2225.			----- Note -----	957	497929	Cap-Fuel Tank
836	690664	Screw (Muffler Guard)			691702 Seat-Valve (Exhaust) (Used Before Code Date 03080400).	969	692523	Screw (Blower Housing Cover) Used on Type No(s). 2051, 2096, 2096, 2223.
836A	790745	Screw (Muffler Guard) Used on Type No(s). 2006, 2016, 2019, 2021, 2027, 2032, 2033, 2049, 2051, 2061, 2089, 2094, 2096, 2128, 2137, 2207, 2223, 2224, 2225.	871	699643	Bushing-Valve Guide (Exhaust Valve) (Used After Code Date 03080300).	976	694394	Primer-Carburetor
					----- Note -----	994	398067	Arrestor-Spark Used on Type No(s). 2112, 2209.
					231348 Bushing-Valve Guide (Exhaust Valve) (Used Before Code Date 03080400).	1019	496757	Kit-Label
					63709 Bushing-Valve Guide (Intake Valve)	1036		Label-Emissions (Available from Authorized Briggs & Stratton Service Dealer)
			883	691880	Gasket-Exhaust	1058	276231	Operator's Manual
			913	494409	Seat-Check Valve	1095	498526	Gasket Set-Valve
			921	699796	Cover-Blower Housing Used on Type No(s). 2051, 2096, 2096, 2223.	1143	691141	Screw (Drive Gear Cover)
						1208	690859	Screw (Brake Bracket)
						1210	499901	Pulley/Spring Assembly (Pulley)
						1211	499901	Pulley/Spring Assembly (Spring)
						1218	695866	Seal-O Ring (Carburetor)
						1330	270962	Repair Manual

★ Engine Gasket Set-Reference 358

△ Valve Gasket Set-Reference 1095