

Illustrated Parts List

Model Series

99700 to 99799

TYPE NUMBERS
0100 through 0103,
0110 through 0118,
0601, 0606,
0610, 0611, 0612,
0614, 0615,
0618 through 0626,
0630 through 0638,
0814 through 0826,
0916, 0918, 0920,
0925, 0932, 0934,
0935, 0937, 0938,
0942, 0945, 0950,
0951, 0953,

TYPE NUMBERS
3015, 3016,
3024, 3025, 3026,
3101, 3102, 3103,
3111 through 3120,
3141, 3142, 3143,
3515, 3525, 3601,
3608 through 3613,
3616, 3617, 3620,
3624, 3625, 3641,
3642, 3643, 3650.

**TO FIND
THE CORRECT NUMBER OF THE PART YOU NEED:
FOLLOW THE INSTRUCTIONS BELOW**

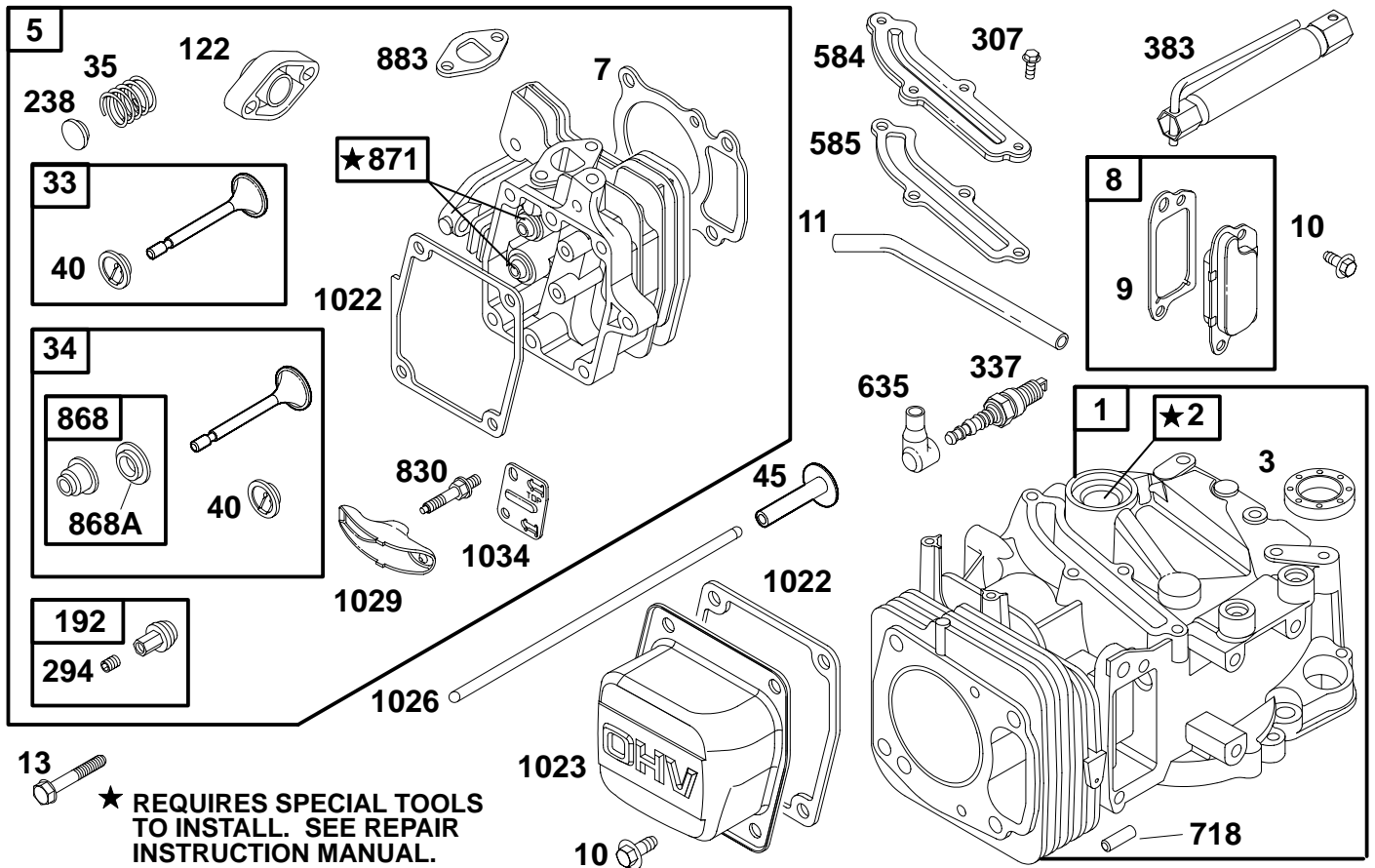
- A. Refer to Engine Model, Type and Code Number that is stamped on the blower housing of engine. Engine type numbers such as 0123 01 are listed only as 0123 in most instances. The two digits (01 or 02, etc.) to the right of the space may be required for more accurate parts identification in some instances. Select the Illustrated Parts List covering the correct Model Series and Type Number.
- B. Refer to the Illustrations and compare the original part with Illustration. The number next to the illustration is the Reference Number. Assemblies include all parts shown in frames. All parts shown in assembly frames having individual reference numbers can be purchased separately.
- C. After the Reference Number has been identified, refer to the Numerical text, where Reference and Primary Part Number are listed. **THE PRIMARY PART IS USED ON ALL TYPE NUMBERS EXCEPT THOSE TYPE NUMBERS UNDER "NOTE."**
- D. If a "Note" appears below the Primary Part Number, it means that this part differs from the Primary Part for certain types. If your Type number is listed under "Note," order the part referred to at the "Note."
- E. If your Engine Type Number does not appear after any part number listed under "Note," use the Primary Part Number.
- F. For Engine Type Numbers not covered by this book, check other Parts Lists having the same engine model or contact your source of supply.



PRINTED IN U.S.A.

COPYRIGHT by BRIGGS & STRATTON CORPORATION
All rights reserved. No part of this material may be reproduced or transmitted, in any form or by any means, electronic or mechanical, including photocopying, recording or by any information storage and retrieval system, without permission in writing from Briggs & Stratton Corporation.

99700 to 99799



★ REQUIRES SPECIAL TOOLS TO INSTALL. SEE REPAIR INSTRUCTION MANUAL.

1019 LABEL KIT

1058 OWNER'S MANUAL

REF. NO.	PART NO.	DESCRIPTION	REF. NO.	PART NO.	DESCRIPTION	REF. NO.	PART NO.	DESCRIPTION
1	494728	Cylinder Assembly	13	94547	Screw-Hex.	635	66538	Boot-Spark Plug
2	293708	Bushing	33	493778	Valve-Exhaust	718	230192	Dowel-Sleeve
3	★299819	Seal-Oil	34	493777	Valve-Intake	830	94555	Stud-Rocker Arm
5	496054	Head-Cylinder (Used After Code Date 92080400).	35	262716	Spring-Valve	868	★Δ495773	Seal-Valve
		Note	40	262552	Retainer-Valve	868A	★Δ272376	Seal-Valve
		494726 Head-Cylinder (Used Before Code Date 92080500).	45	262679	Tappet-Valve	871	262718	Bushing-Guide
7	★Δ272314	Gasket-Cylinder Head	122	281193	Spacer-Carburetor	883	★Δ272313	Gasket-Exhaust
8	495786	Breather Assembly	192	492160	Nut-Rocker Arm	1019	495337	Label Kit
9	★272481	Gasket-Breather	238	262499	Cap-Valve	1022	★Δ272323	Gasket-Rocker Cover
10	94650	Screw-Hex.	294	810104	Screw-Torx®	1023	224588	Cover-Rocker
11	231933	Tube-Breather	307	94515	Screw-Hex.	1026	493527	Rod-Push
			337	491055	Plug-Spark	1029	224111	Arm-Rocker
			383	19374	Wrench-Spark Plug	1034	224400	Guide-Push Rod
			584	224328	Baffle-Cylinder	1058	273123	Owner's Manual
			585	★272238	Gasket-Breather Passage			

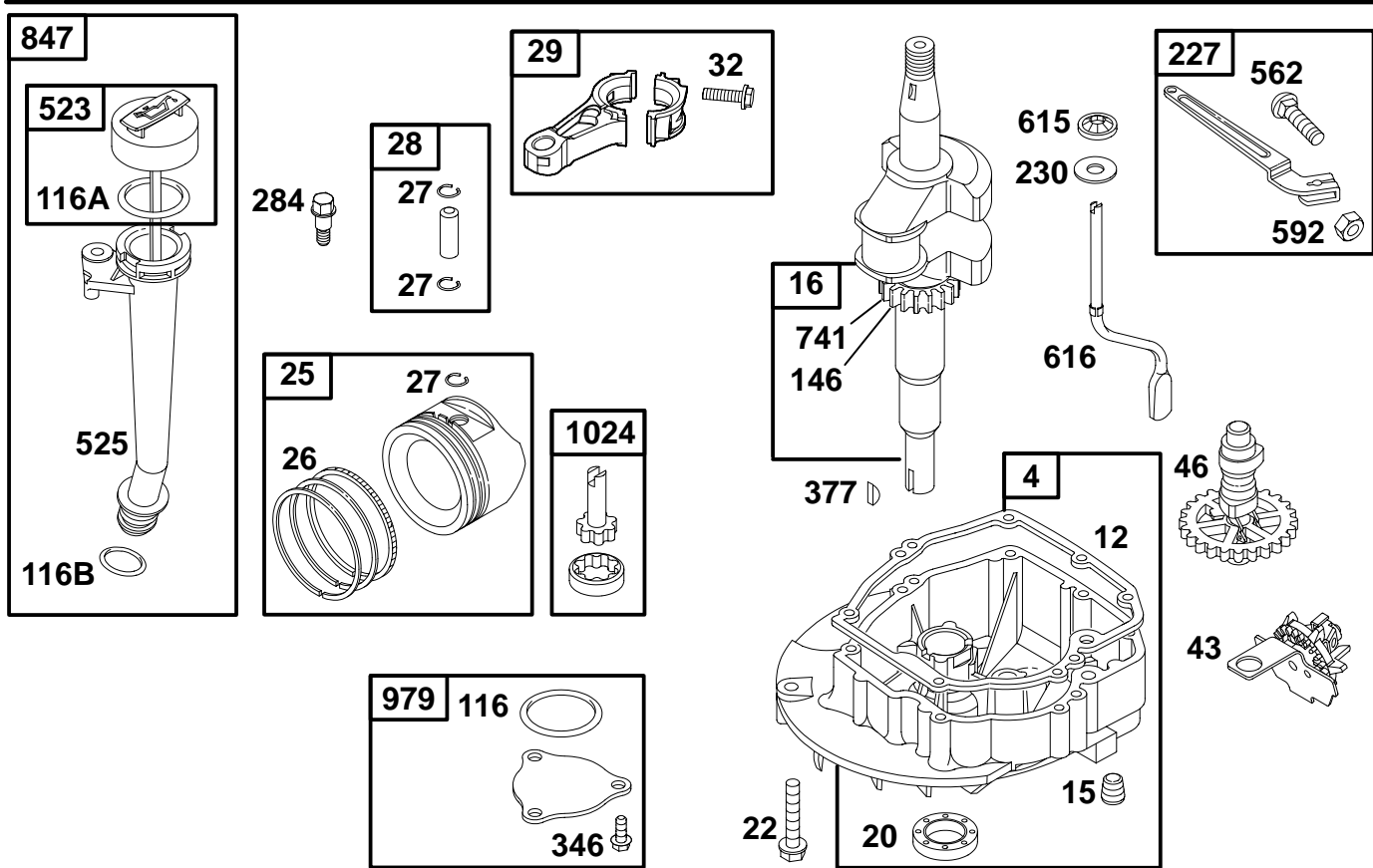
★ Included in Gasket Set-See Ref. No. 358.

Δ Included in Valve Overhaul Kit-See Ref. No. 1033.

◆ Included in Carburetor Gasket Set-Part No. 490937.

● Included in Carburetor Kit-See Ref. No. 121.

99700 to 99799

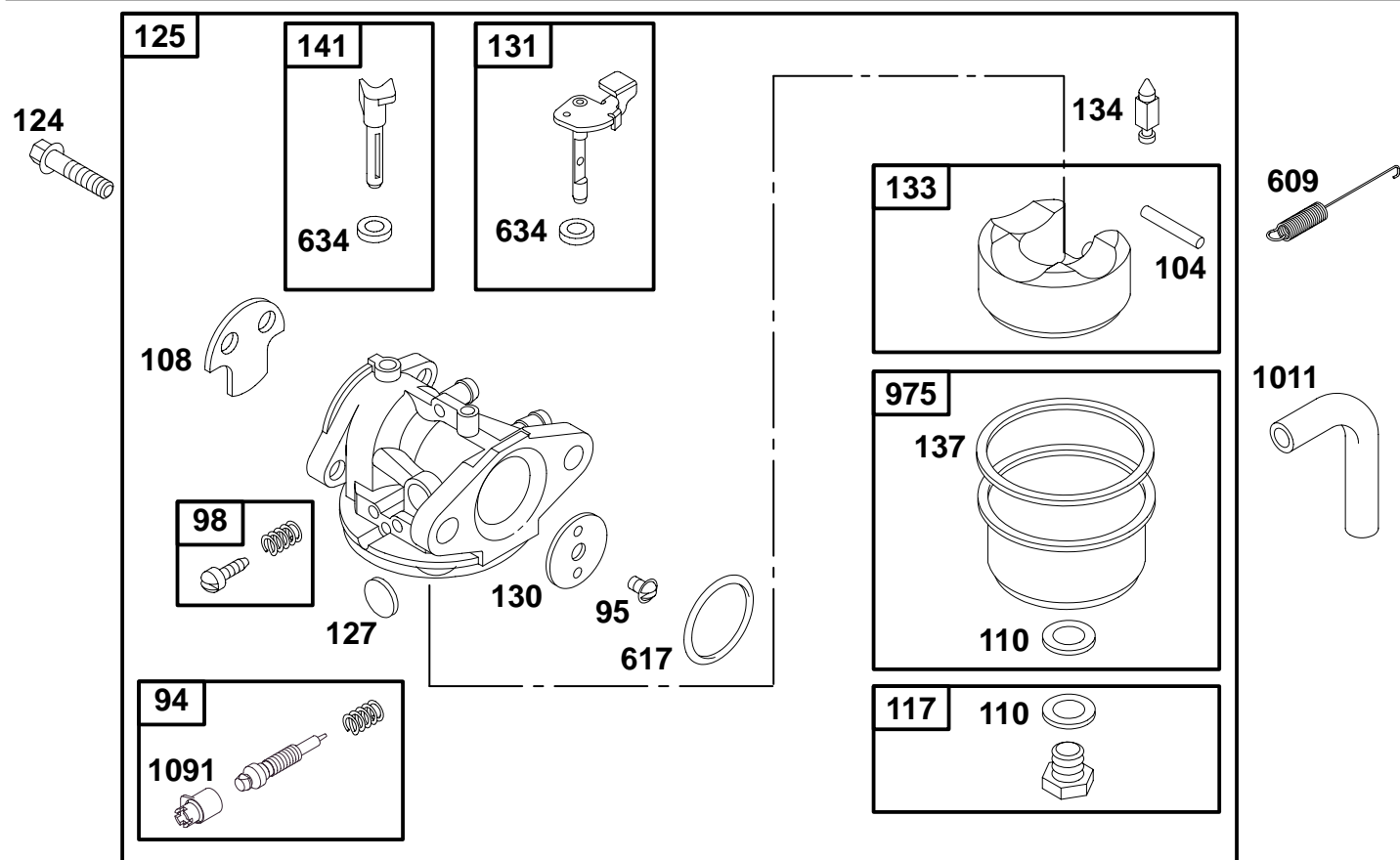


REF. NO.	PART NO.	DESCRIPTION	REF. NO.	PART NO.	DESCRIPTION	REF. NO.	PART NO.	DESCRIPTION
4	493901	Sump-Engine		495270	Ring Set (0.020 O.S.)	346	94513	Screw-Hex.
12	★272324	Gasket-Crankcase		495272	Ring Set (0.030 O.S.)	377	93065	Key-Woodruff
15	94720	Plug-Oil Drain				523	495264	Dipstick
16		Crankshaft				525	495265	Tube-Oil Fill
		See Last Page	27	262514	Lock-Piston Pin	562	92613	Bolt-Governor Lever
20	★399781	Seal-Oil	28	492765	Pin-Piston (Standard)	592	231082	Nut-Hex.
22	94220	Screw-Hex.				615	94474	Retainer-Governor
		Note	29	493049	Rod-Connecting (Standard)	616	263175	Crank-Governor (Used After Code Date 96090100).
		94612 Screw-Hex. One Used in Hole Nearest Breather.						Note
25	493781	Piston Assembly (Standard)	32	94699	Screw-Connecting Rod			262578 Crank-Governor (Used Before Code Date 96090200).
		495267 Piston Assy. (0.010 O.S.)	43	493719	Governor/Oil Slinger	741	262598	Gear-Timing
		495269 Piston Assy. (0.020 O.S.)	46	493310	Gear-Cam	847	495263	Dipstick/Tube Assembly
		495271 Piston Assy. (0.030 O.S.)	116	★280891	Seal-O Ring	979	492756	Cover-Pump
26	493782	Ring Set (Standard)	116A	★280393	Seal-O Ring	1024	493884	Pump-Oil
		495268 Ring Set (0.010 O.S.)	116B	★280966	Seal-O Ring			
			146	94388	Key-Timing			
			227	492349	Lever-Governor			
			230	67072	Washer			
			284	94511	Screw-Shoulder			

★ Included in Gasket Set-See Ref. No. 358.
 △ Included in Valve Overhaul Kit-See Ref. No. 1033.
 ◆ Included in Carburetor Gasket Set-Part No. 490937.

● Included in Carburetor Kit-See Ref. No. 121.

99700 to 99799



REF. NO.	PART NO.	DESCRIPTION	REF. NO.	PART NO.	DESCRIPTION	REF. NO.	PART NO.	DESCRIPTION
94	●497717	Valve-Idle Adjustment (Used After Code Date 94112000).			Note	134	●398188	Valve-Needle (Includes Seat)
		Note			494870 Jet-Main (Standard) (Used Before Code Date 94112100).	137	◆◆	Gasket-Float Bowl (Sold in Kit Only)
		●493765 Valve-Idle Adjustment (Used Before Code Date 94112100).			496495 Jet-Main (High Altitude) (Used Before Code Date 94112100).	141	494218	Shaft-Choke
95	94098	Screw-Round Head	124	94656	Screw-Shoulder	609	262749	Spring (Choke Return)
98	398185	Screw-Idle Speed	125	497718	Carburetor (Used After Code Date 94112000).	617	◆◆270344	Seal-Intake Manifold
104	●231371	Pin-Float Hinge			494971 Carburetor (Used Before Code Date 94112100).	634	◆◆	Washer-Shaft (Sold in Kit Only)
108	223471	Valve-Choke	127	●	Plug-Welch (Sold in Kit Only)	975	493640	Bowl-Float
110	◆◆	Washer-Bowl (Sold in Kit Only)	130	223470	Valve-Throttle	1011	281244	Tube-Vent
117	498667	Jet-Main (Standard) (Used After Code Date 94112000).	131	493267	Shaft-Throttle	1091	●281425	Cap-Limiter (Used After Code Date 94112000).
		497348 Jet-Main (High Altitude) (Used After Code Date 94112000).	133	398187	Float-Carburetor			

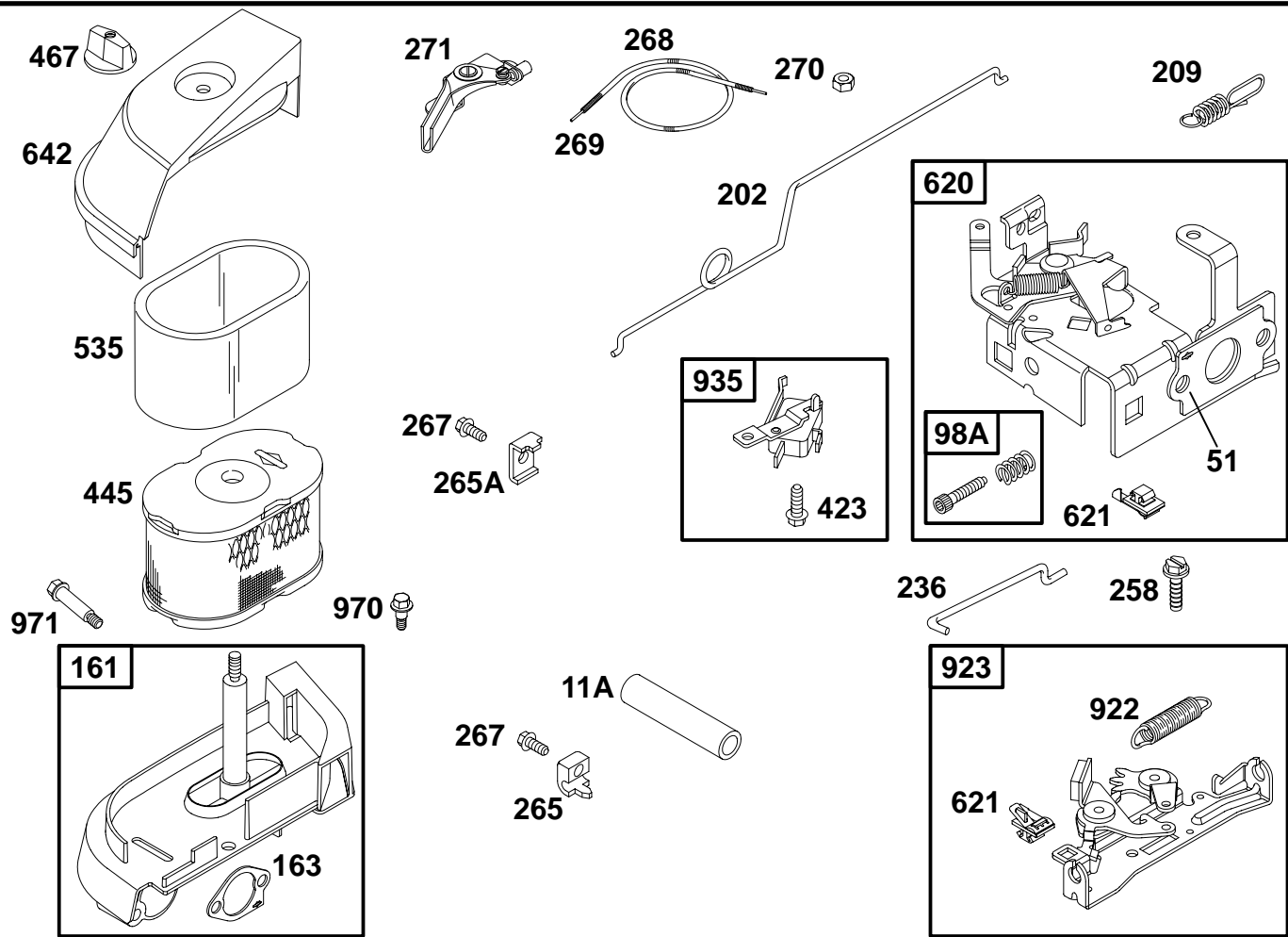
★ Included in Gasket Set-See Ref. No. 358.

△ Included in Valve Overhaul Kit-See Ref. No. 1033.

◆ Included in Carburetor Gasket Set-Part No. 490937.

● Included in Carburetor Kit-See Ref. No. 121.

99700 to 99799

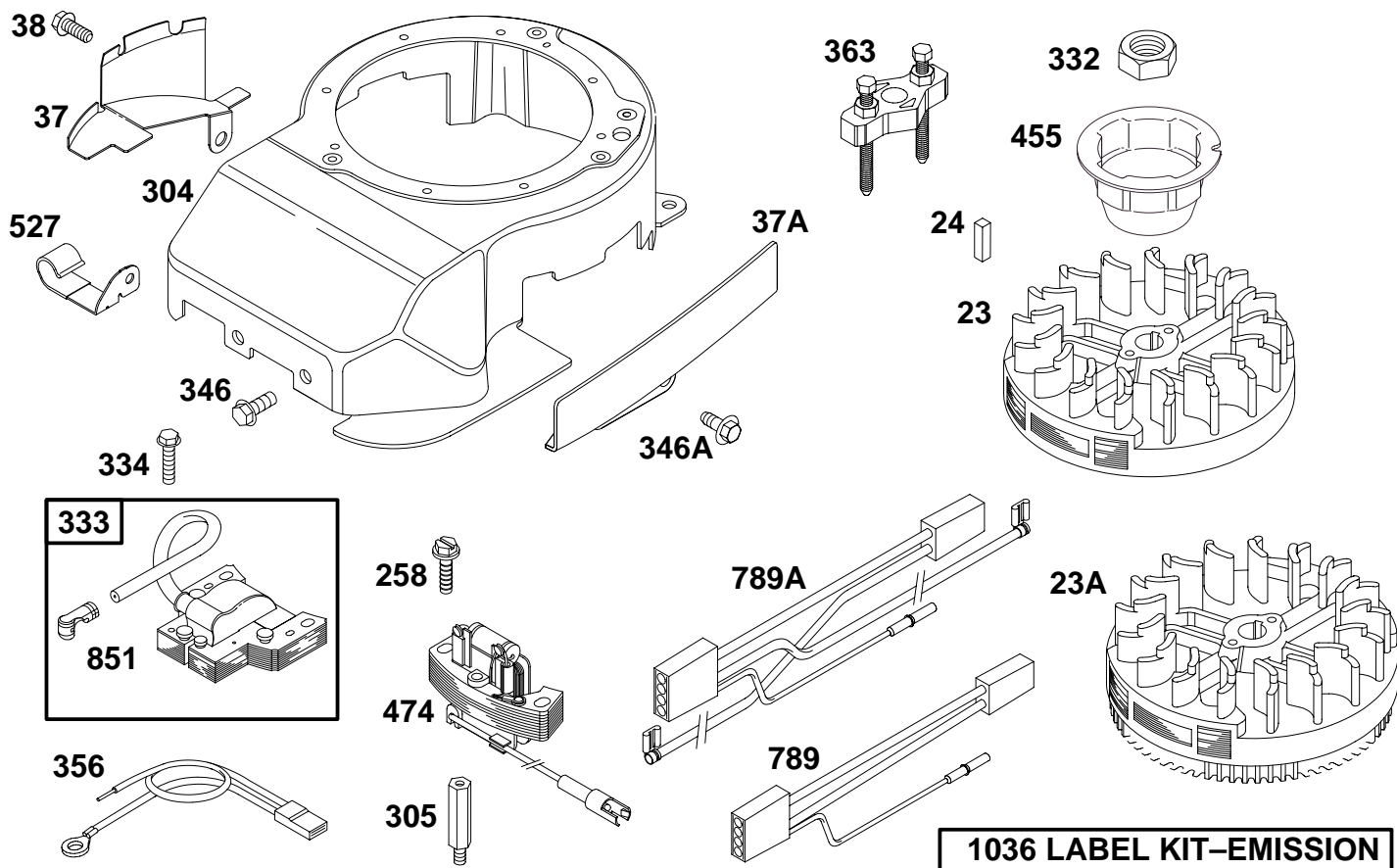


REF. NO.	PART NO.	DESCRIPTION	REF. NO.	PART NO.	DESCRIPTION	REF. NO.	PART NO.	DESCRIPTION
11A	281418	Tube-Breather (Used After Code Date 93101700). Note ——— 281201 Tube-Breather (Used Before Code Date 93101800).	236	262461	Link-Lock Out	467	493903	Knob
51	★Δ272487	Gasket-Intake	258	94512	Screw-Slotted Hex.	535	272533	Filter-Air
98A	493280	Screw-Idle Speed	265	213146	Clamp-Casing	620	494538	Bracket-Control
161	494729	Base-Air Cleaner Plastic	265A	221535	Clamp-Casing	621	396847	Switch-Stop
163	★272512	Gasket-Air Cleaner	267	94694	Screw-Slotted Hex.	642	281196	Cover-Air Cleaner
202	262827	Link-Mechanical Governor	268	66986	Casing-Wire (48" Long) (Cut to Required Length)	922	262640	Spring-Brake
209		Spring-Governor See Last Page	269	26099	Wire-Control (54" Long) (Cut to Required Length)	923	493442	Brake
			270	63426	Locknut-Casing	935	499421	Switch-Interlock (Used After Code Date 92100600). Note ——— 398758 Switch-Interlock (Used Before Code Date 92100700).
			271	290568	Lever-Control	970	94577	Screw-Shoulder
			423	93758	Screw-Hex.	971	94655	Screw-Shoulder
			445	494586	Filter-Air			

★ Included in Gasket Set-See Ref. No. 358.
 Δ Included in Valve Overhaul Kit-See Ref. No. 1033.
 ◆ Included in Carburetor Gasket Set-Part No. 490937.

● Included in Carburetor Kit-See Ref. No. 121.

99700 to 99799



1036 LABEL KIT-EMISSION

REF. NO.	PART NO.	DESCRIPTION	REF. NO.	PART NO.	DESCRIPTION	REF. NO.	PART NO.	DESCRIPTION
23	492177	Flywheel	333	802574	Armature-Magneto	789	494543	Harness-Wiring
23A	492175	Flywheel	334	94731	Screw-Hex.			Used on Engines
		Note	346	94513	Screw-Hex.			Without Band Brake.
		492893 Flywheel	346A	94582	Screw-Hex.	789A	494544	Harness-Wiring
		Used on Type No(s).	356	398808	Wire-Stop			Used on Engines With
		0625, 0626, 0636,			Note			Band Brake Except as
		0925.			496381 Wire-Stop			Listed Below:
24	222698	Key-Flywheel			(Used After Code Date			Note
37	224511	Guard-Flywheel			93080300).			493380 Harness-
37A	281206	Guard-Flywheel			398153 Wire-Stop			Wiring
38	94786	Screw-Hex.			(Used Before Code			Used on Type No(s).
258	94512	Screw-Slotted Hex.			Date 93080400).			0916, 3616.
304	494961	Housing-Blower			Used on Type No(s).			851 493880
		Used on Engines With			0110, 0610, 3111,			1036 499335
		Band Brake.			3611, 3624.			Label Kit-Emission
		Note			496721 Wire-Stop			Used on Type No(s).
		494962 Housing-			Used on Type No(s).			0814, 0815, 0816,
		Blower			0625.			0824, 0825, 0826,
		Used on Engines	363	19069	Flywheel Puller			0916, 0918, 0920,
		Without Band Brake.	455	225121	Cup-Flywheel			0925, 0932, 0934,
305	94510	Stud-Stator Mounting	474	492841	Alternator			0935, 0937, 0938,
332	92284	Nut-Flywheel	527	224722	Clamp-Tube			0942, 0945, 0950,
								0951.

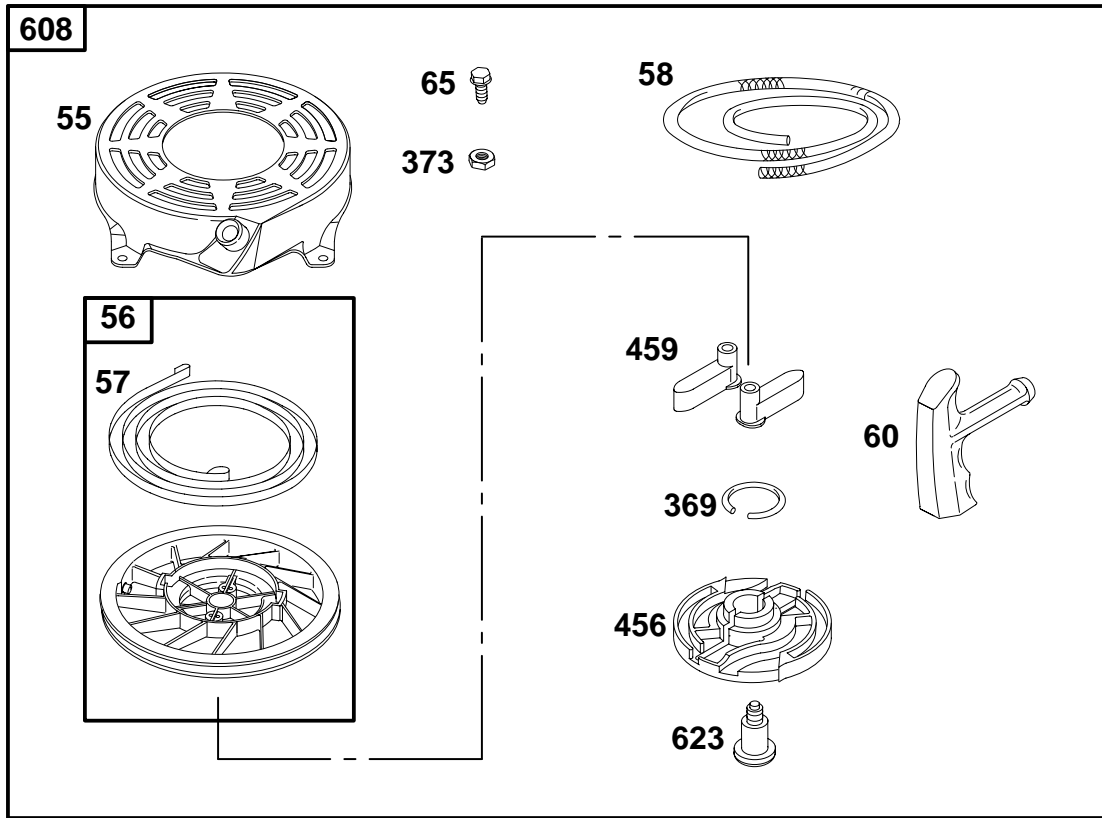
★ Included in Gasket Set-See Ref. No. 358.

△ Included in Valve Overhaul Kit-See Ref. No. 1033.

◆ Included in Carburetor Gasket Set-Part No. 490937.

● Included in Carburetor Kit-See Ref. No. 121.

99700 to 99799



REF. NO.	PART NO.	DESCRIPTION	REF. NO.	PART NO.	DESCRIPTION	REF. NO.	PART NO.	DESCRIPTION
55	497440	Housing–Rewind Starter	60	281434	Grip–Starter Rope	459	281505	Pawl–Ratchet
56	498144	Pulley–Starter	65	94128	Screw–Hex.	608	497680	Starter–Rewind
57	263074	Spring–Rewind Starter	369	263073	Spring–Friction	623	94943	Screw–Shoulder
58	280399	Rope–Starter (Cut to Required Length)	373	92987	Nut–Hex.			
			456	281503	Retainer–Spring			

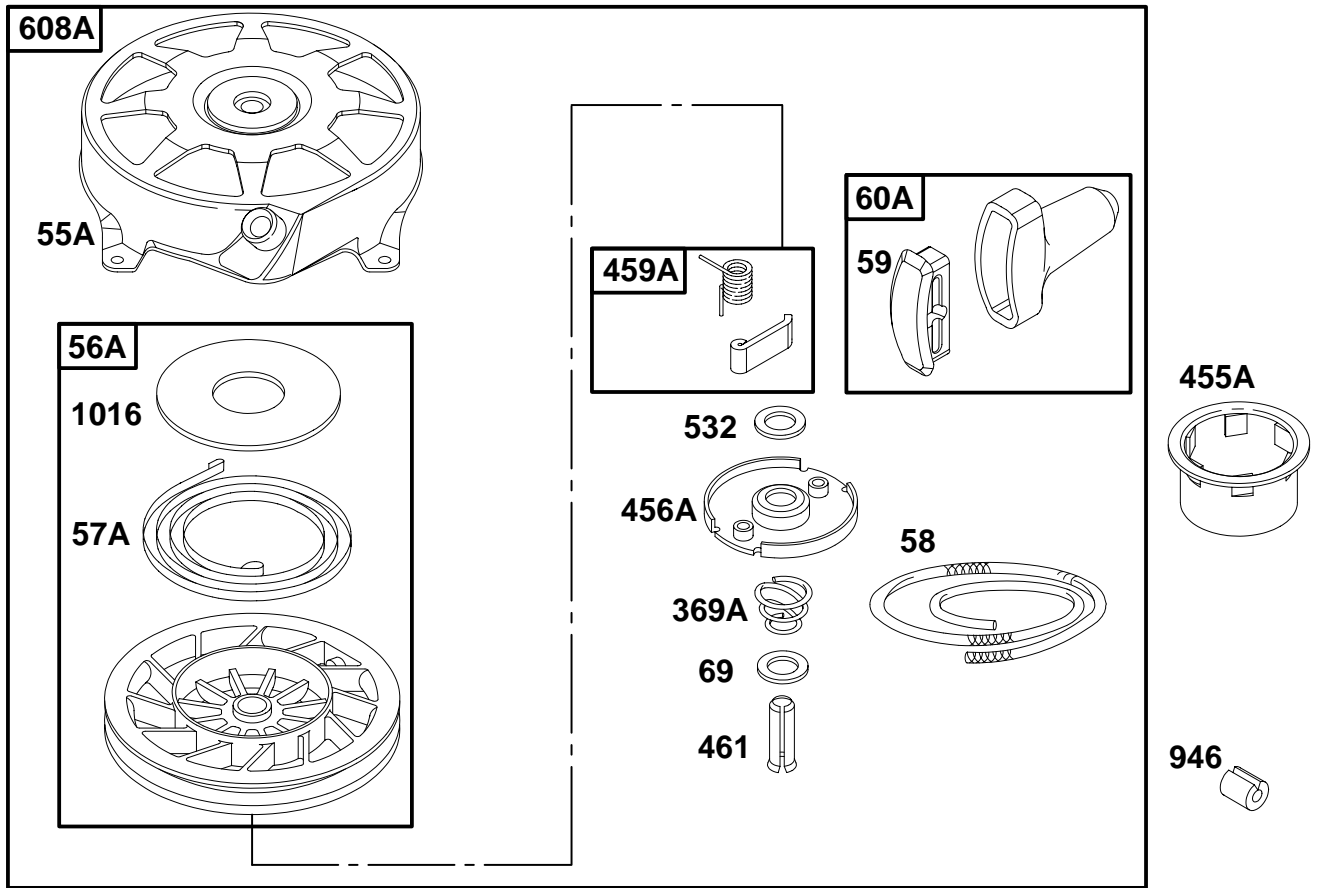
★ Included in Gasket Set–See Ref. No. 358.

△ Included in Valve Overhaul Kit–See Ref. No. 1033.

◆ Included in Carburetor Gasket Set–Part No. 490937.

● Included in Carburetor Kit–See Ref. No. 121.

99700 to 99799



REF. NO.	PART NO.	DESCRIPTION	REF. NO.	PART NO.	DESCRIPTION	REF. NO.	PART NO.	DESCRIPTION
55A	494671	Housing–Rewind Starter	69	224322	Washer	608A	494960	Starter–Rewind
56A	493824	Pulley–Starter	369A	262625	Spring–Friction			Include(s):
57A	262594	Spring–Rewind Starter	455A	224250	Cup–Flywheel			497680 Starter–Rewind
58	280399	Rope–Starter (Cut to Required Length)	456A	224321	Retainer–Spring			(Ref. No. 608)
59	396892	Insert–Grip	459A	492833	Pawl–Ratchet			225121 Cup–Flywheel (Ref. No. 455)
60A	393152	Grip–Starter Rope	461	262626	Pin–Shaft	946	223294	Stop–Rope
			532	280973	Washer–Seal	1016	224278	Spacer–Rewind

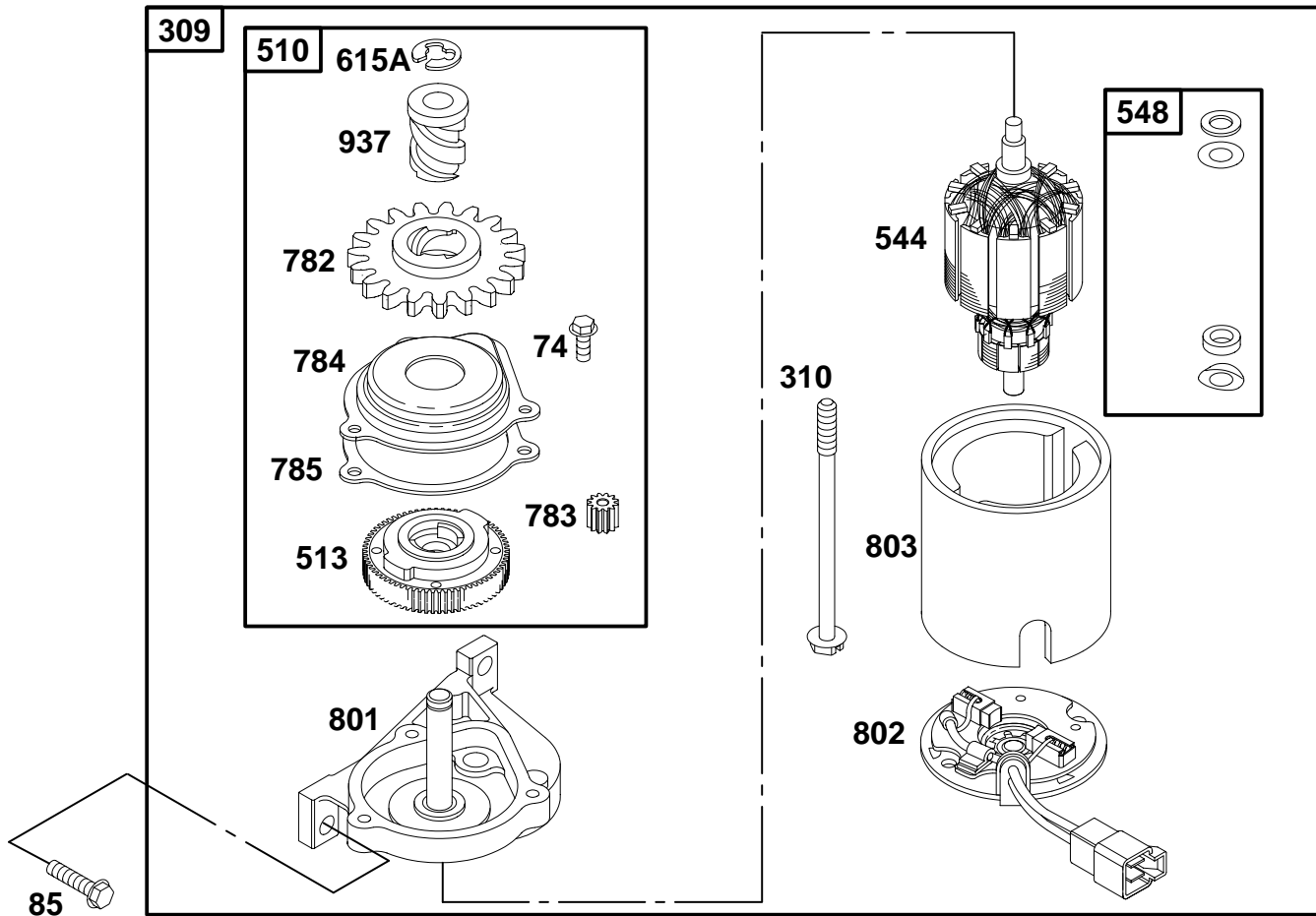
★ Included in Gasket Set–See Ref. No. 358.

△ Included in Valve Overhaul Kit–See Ref. No. 1033.

◆ Included in Carburetor Gasket Set–Part No. 490937.

● Included in Carburetor Kit–See Ref. No. 121.

99700 to 99799



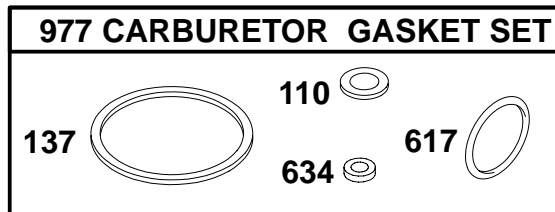
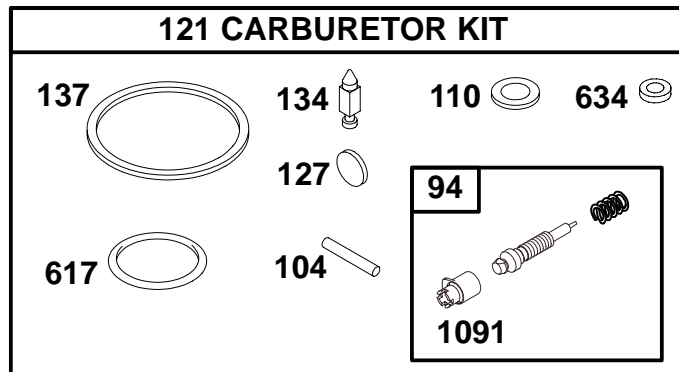
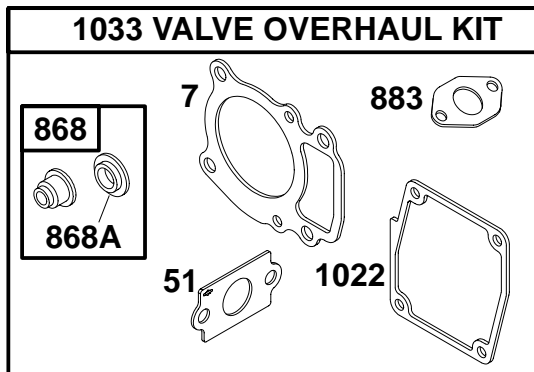
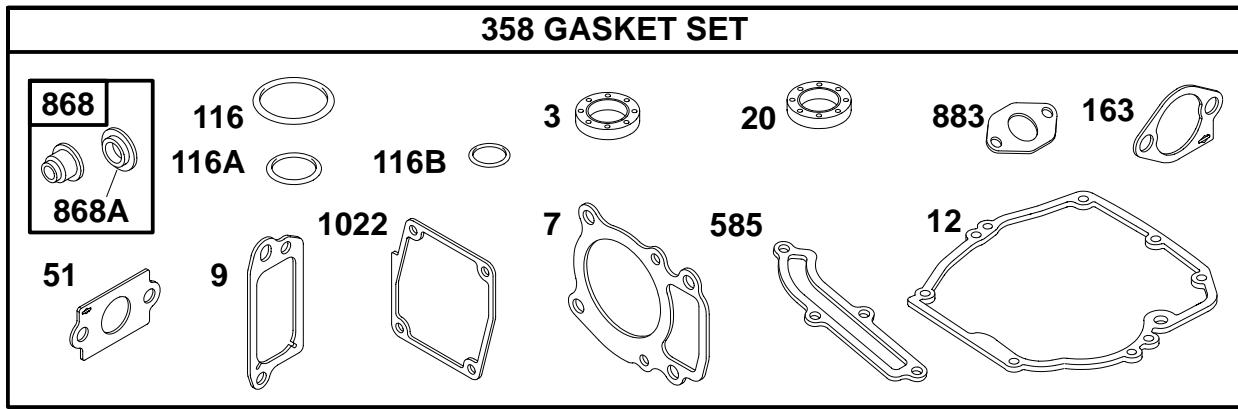
REF. NO.	PART NO.	DESCRIPTION	REF. NO.	PART NO.	DESCRIPTION	REF. NO.	PART NO.	DESCRIPTION
74	93490	Screw-Hex.	544	492921	Armature-Starter	785	272201	Gasket-Cover
85	94974	Screw-Hex.	548	492919	Washer Set	801	492335	Cap-Drive
309	494233	Motor-Starter	615A	93941	Retainer	802	492922	Cap-End
310	94051	Screw-Slotted Hex.	782	281127	Gear-Starter	803	492920	Housing-Starter
510	494147	Drive-Starter	783	261606	Gear-Starter	937	281125	Spline-Starter
513	394815	Clutch-Drive	784	224262	Cover-Gear			

★ Included in Gasket Set-See Ref. No. 358.

△ Included in Valve Overhaul Kit-See Ref. No. 1033.

◆ Included in Carburetor Gasket Set-Part No. 490937.

● Included in Carburetor Kit-See Ref. No. 121.



REF. NO.	PART NO.	DESCRIPTION	REF. NO.	PART NO.	DESCRIPTION	REF. NO.	PART NO.	DESCRIPTION
3	★299819	Seal-Oil			(Sold in Kit Only)	358	496055	Gasket Set
7	★△272314	Gasket-Cylinder Head	116	★280891	Seal-O-Ring	585	★272238	Gasket-Breather Passage
9	★272481	Gasket-Breather	116A	★280393	Seal-O-Ring	617	◆◆270344	Seal-Intake Manifold
12	★272324	Gasket-Crankcase	116B	★280966	Seal-O-Ring	634	◆◆	Washer-Shaft (Sold in Kit Only)
20	★399781	Seal-Oil	121	497719	Carburetor Kit (Used After Code Date 94112000).	868	★△495773	Seal-Valve
51	★△272487	Gasket-Intake			493762 Carburetor Kit (Used Before Code Date 94112100).	868A	★△272376	Seal-Valve
94	◆497717	Valve-Idle Adjustment (Used After Code Date 94112000).	127	◆	Plug-Welch (Sold in Kit Only)	883	★△272313	Gasket-Exhaust
		Note	134	◆398188	Valve-Needle (Includes Seat)	977	490937	Gasket Set-Carburetor
		◆493765 Valve-Idle Adjustment (Used Before Code Date 94112100).	137	◆◆	Gasket-Float Bowl (Sold in Kit Only)	1022	★△272323	Gasket-Rocker Cover
104	◆231371	Pin-Float Hinge	163	★272512	Gasket-Air Cleaner	1033	496056	Kit-Valve Overhaul
110	◆◆	Washer-Bowl				1091	◆281425	Cap-Limiter (Used After Code Date 94112000).

★ Included in Gasket Set-See Ref. No. 358.
 △ Included in Valve Overhaul Kit-See Ref. No. 1033.
 ◆ Included in Carburetor Gasket Set-Part No. 490937.

◆ Included in Carburetor Kit-See Ref. No. 121.

