

Illustrated Parts List

Model Series

92900 to 92999

Non-Compliance

TYPE NUMBERS
5001 through 5093
5101 through 5405
5911 and 5912

EXCEPT

5081, 5084, 5088,
5130, 5132, 5134,
5135, 5148, 5149,
5152, 5153, 5155,
5159, 5160, 5163,
5167, 5169, 5170,
5171, 5176, 5177.

TO FIND

**THE CORRECT NUMBER OF THE PART YOU NEED:
FOLLOW THE INSTRUCTIONS BELOW**

- A. Refer to Engine Model, Type and Code Number that is stamped on the blower housing of engine. Engine type numbers such as 0123 01 are listed only as 0123 in most instances. The two digits (01 or 02, etc.) to the right of the space may be required for more accurate parts identification in some instances. Select the Illustrated Parts List covering the correct Model Series and Type Number.
- B. Refer to the Illustrations and compare the original part with Illustration. The number next to the illustration is the Reference Number. Assemblies include all parts shown in frames. All parts shown in assembly frames having individual reference numbers can be purchased separately.
- C. After the Reference Number has been identified, refer to the Numerical text, where Reference and Primary Part Number are listed. **THE PRIMARY PART IS USED ON ALL TYPE NUMBERS EXCEPT THOSE TYPE NUMBERS UNDER "NOTE."**
- D. If a "Note" appears below the Primary Part Number, it means that this part differs from the Primary Part for certain types. If your Type number is listed under "Note," order the part referred to at the "Note."
- E. If your Engine Type Number does not appear after any part number listed under "Note," use the Primary Part Number.
- F. For Engine Type Numbers not covered by this book, check other Parts Lists having the same engine model or contact your source of supply.

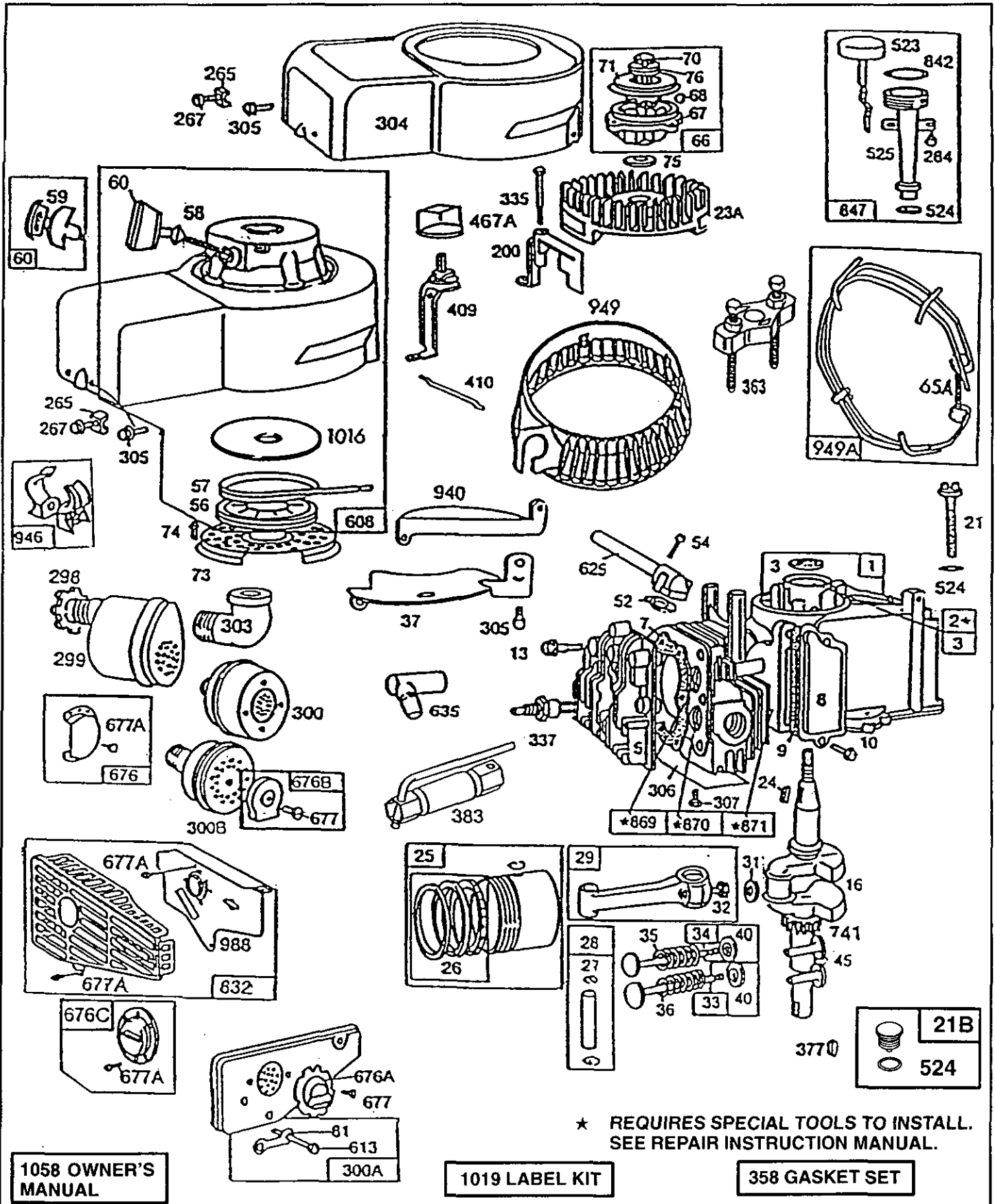
PRINTED IN U.S.A.

COPYRIGHT©

BRIGGS & STRATTON

®

92900 to 92999



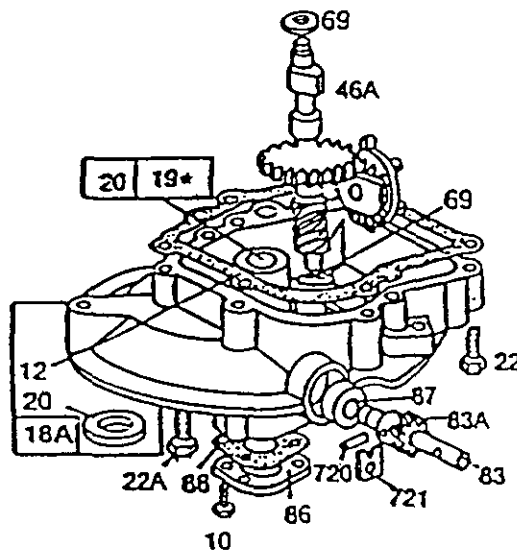
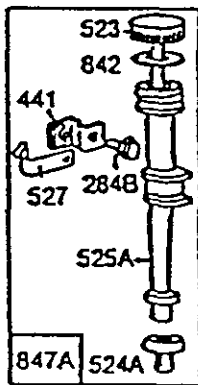
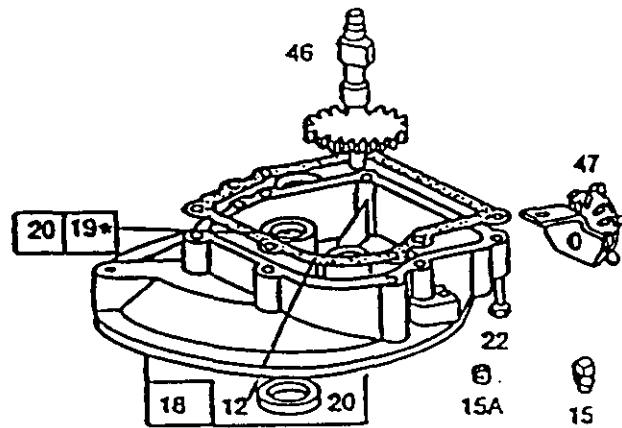
* REQUIRES SPECIAL TOOLS TO INSTALL. SEE REPAIR INSTRUCTION MANUAL.

1058 OWNER'S MANUAL

1019 LABEL KIT

358 GASKET SET

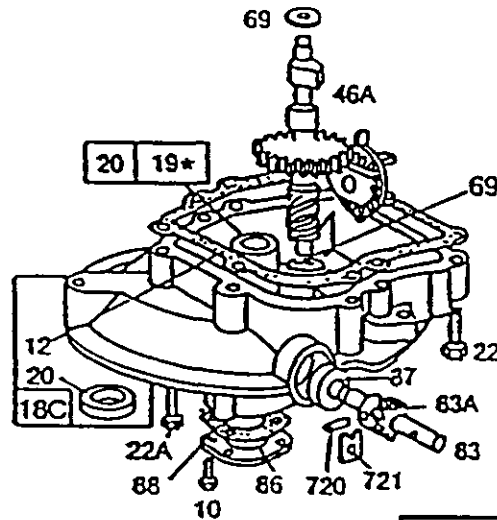
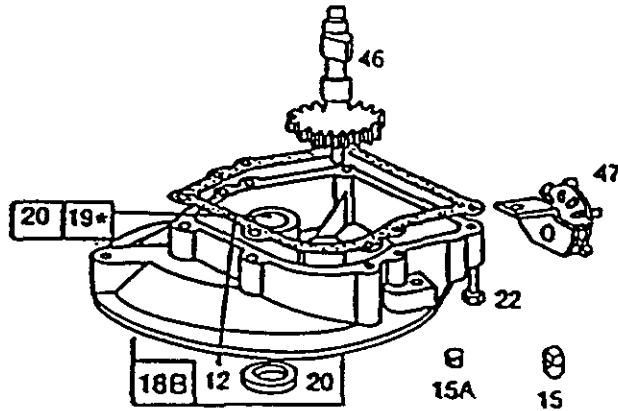
92900 to 92999



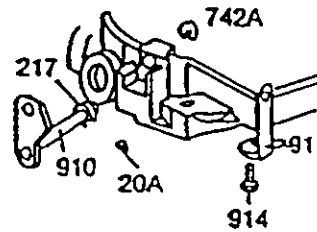
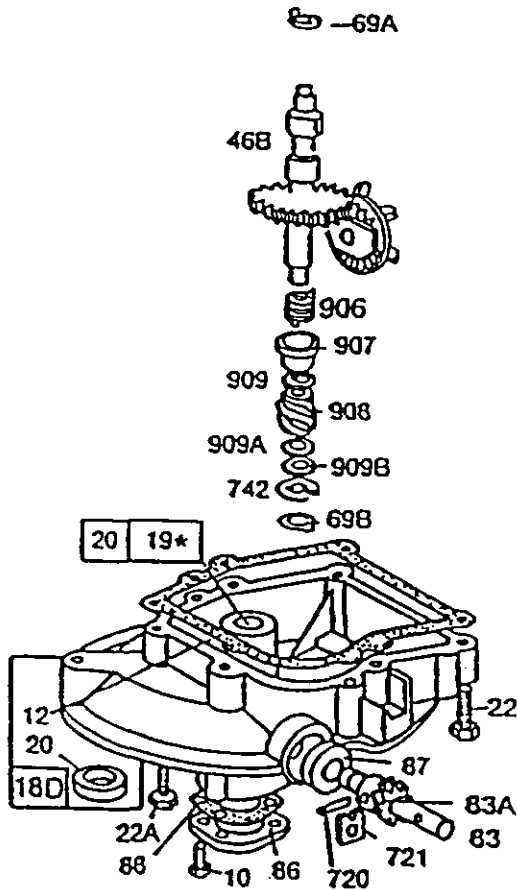
SUMP ASSEMBLIES ILLUSTRATED ON THIS PAGE INCLUDE AN OIL FILLER OPENING.

★ REQUIRES SPECIAL TOOLS TO INSTALL. SEE REPAIR INSTRUCTION MANUAL.

92900 to 92999



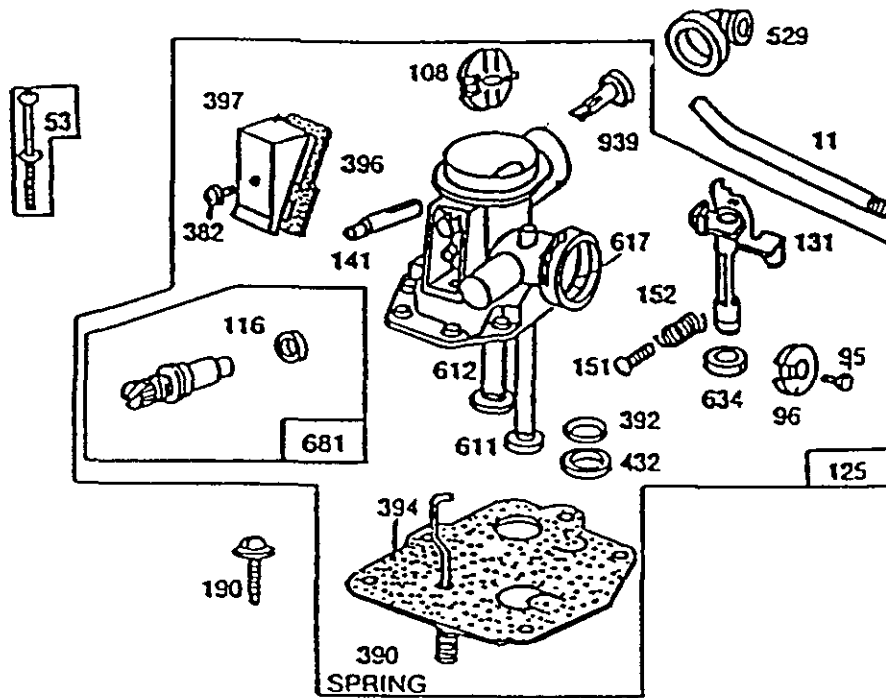
998 POWER TRAC KIT



★ REQUIRES SPECIAL TOOLS TO INSTALL. SEE REPAIR INSTRUCTION MANUAL.

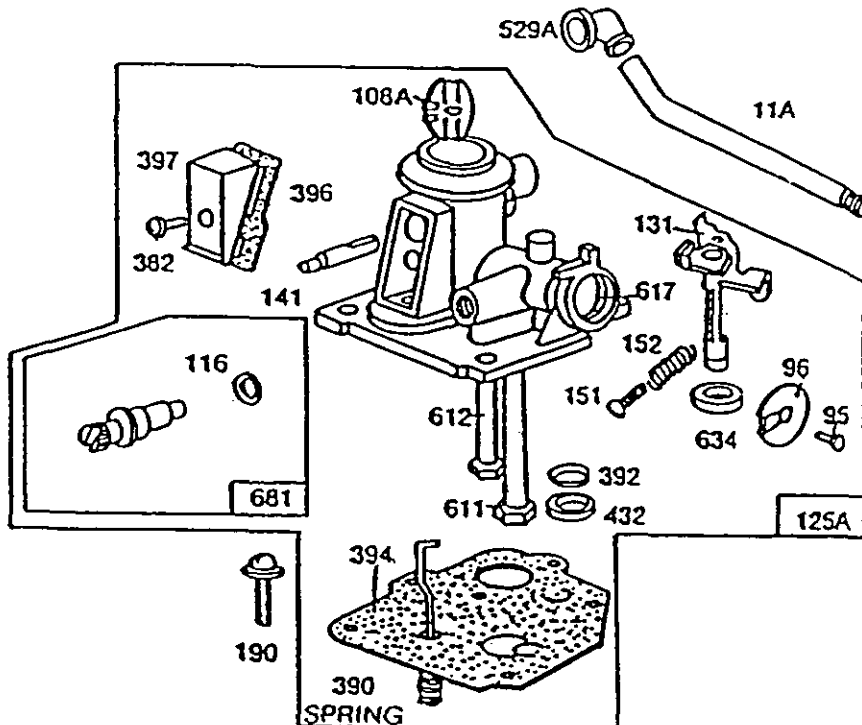
SUMP ASSEMBLIES ILLUSTRATED ON THIS PAGE INCLUDE AN OIL FILLER OPENING.

92900 to 92999



THERMOSTATICALLY CONTROLLED

121 CARBURETOR KIT

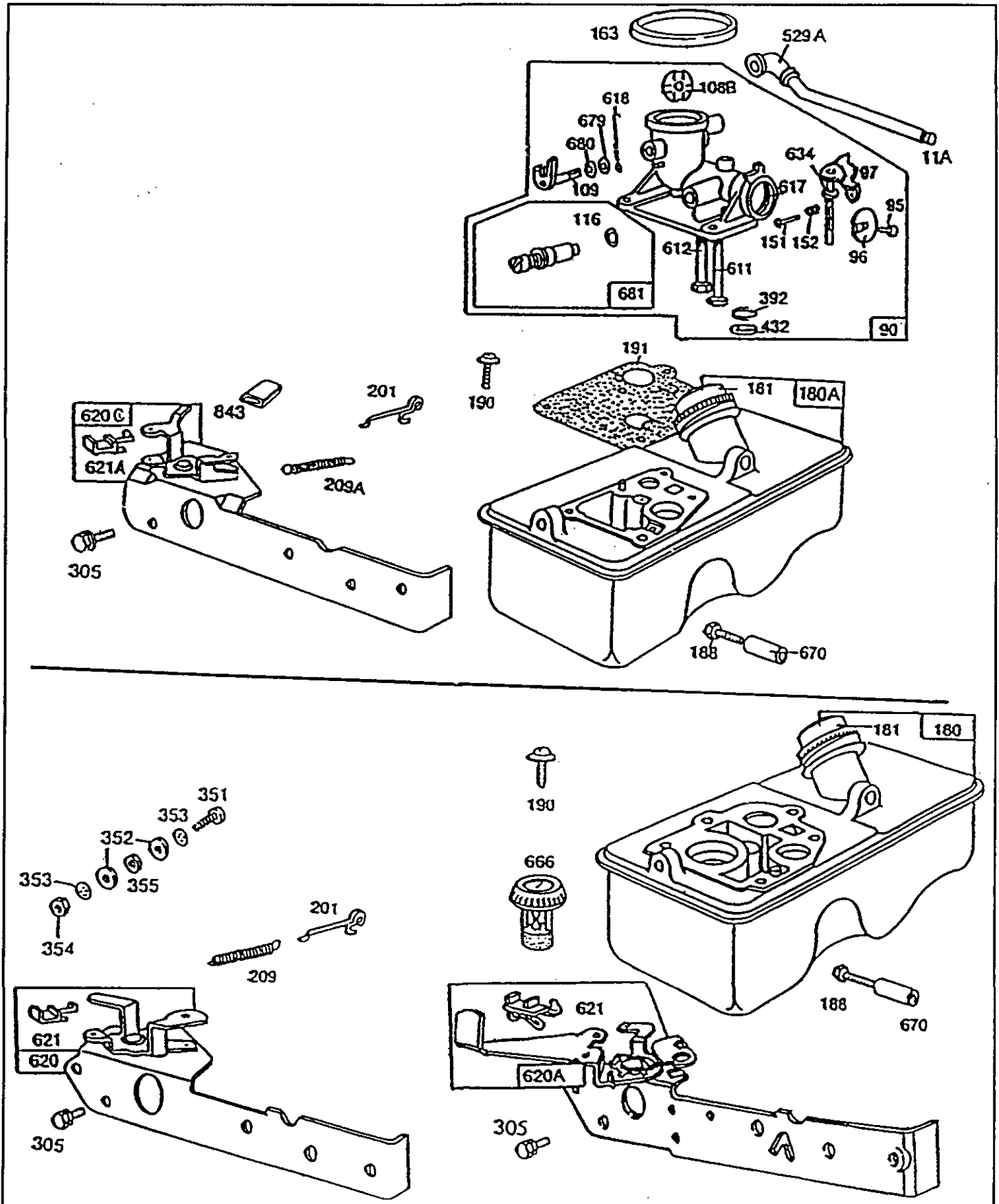


8215-5

Assemblies include all parts shown in frames.

104

92900 to 92999

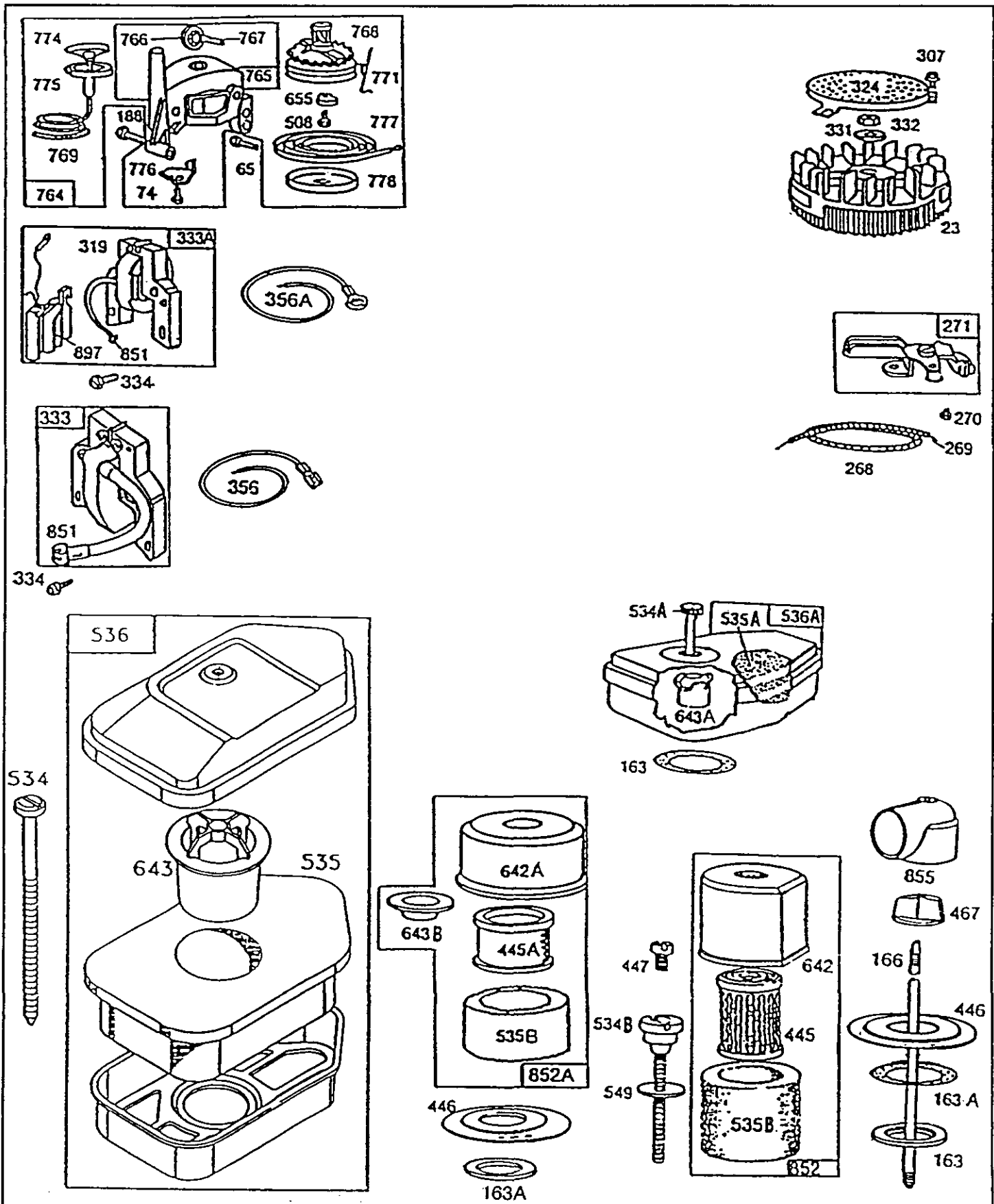


8215-6

Assemblies include all parts shown in frames

104

92900 to 92999

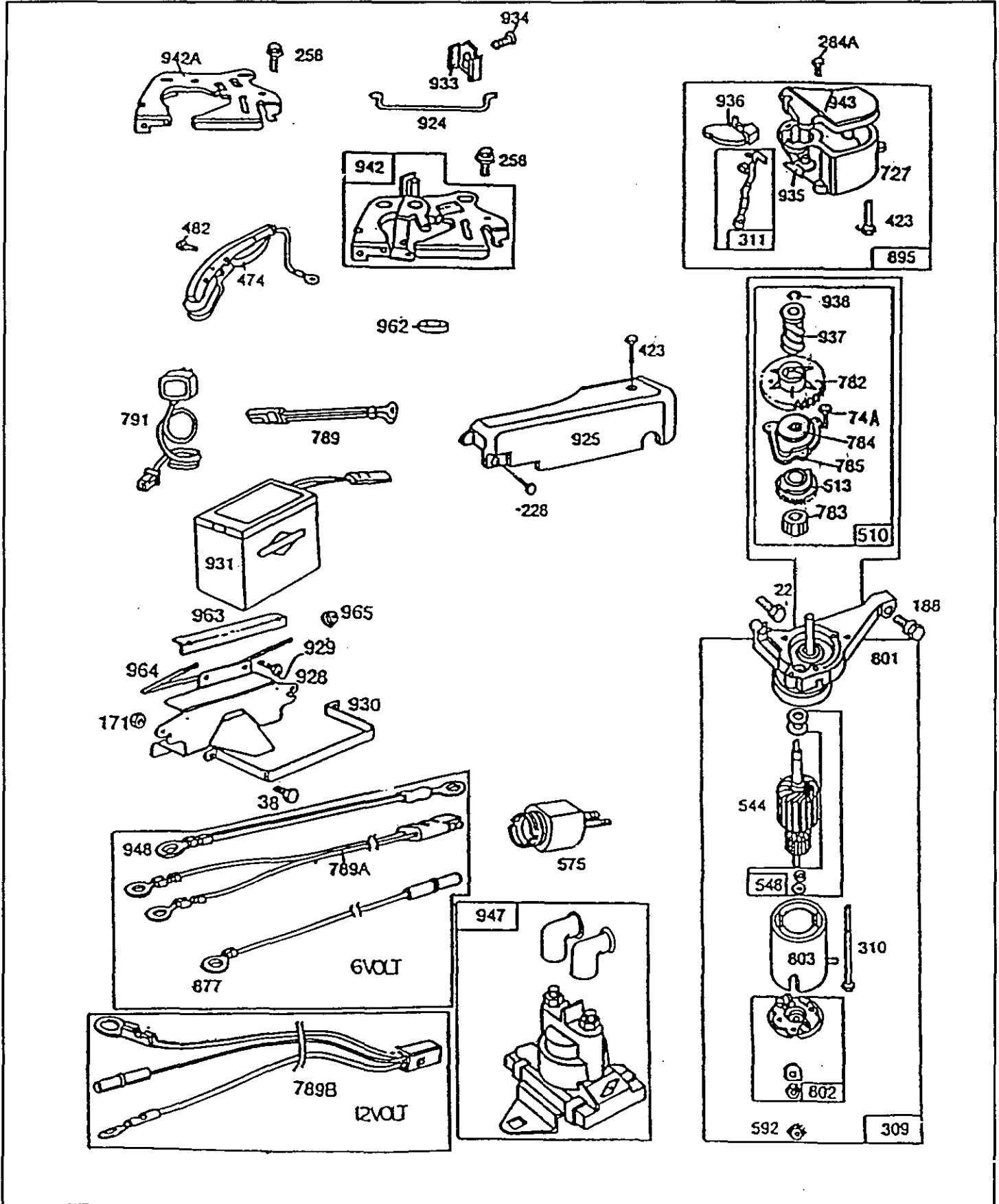


8215-7

Assemblies include all parts shown in frames.

104

92900 to 92999



8215-8

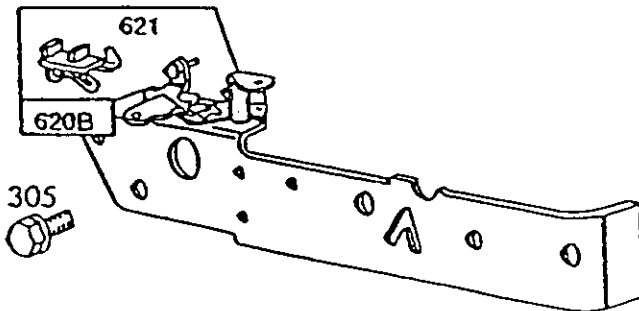
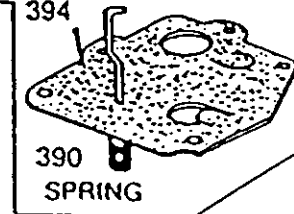
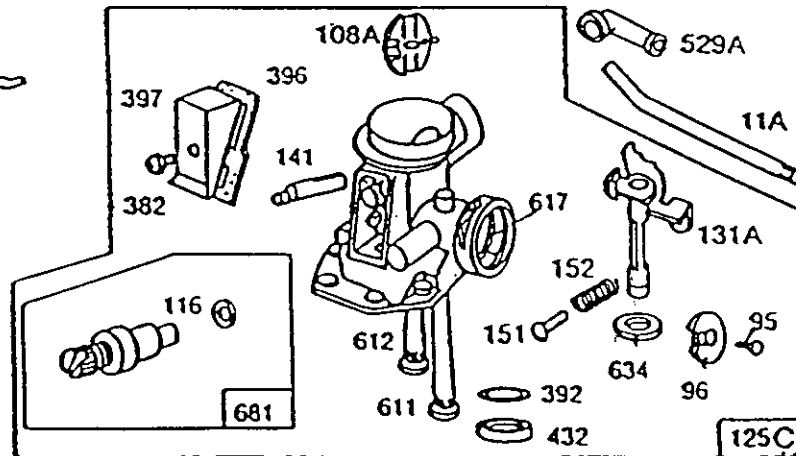
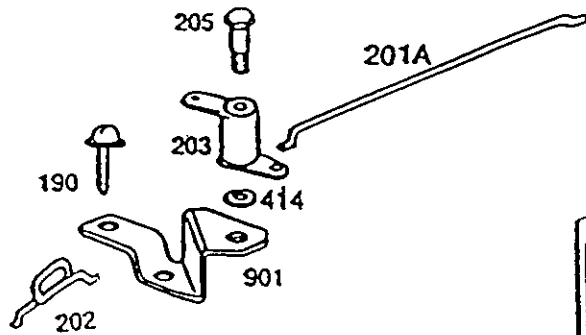
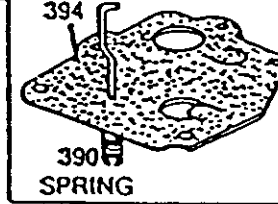
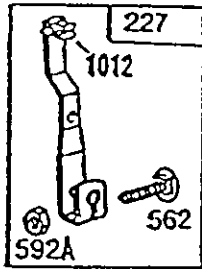
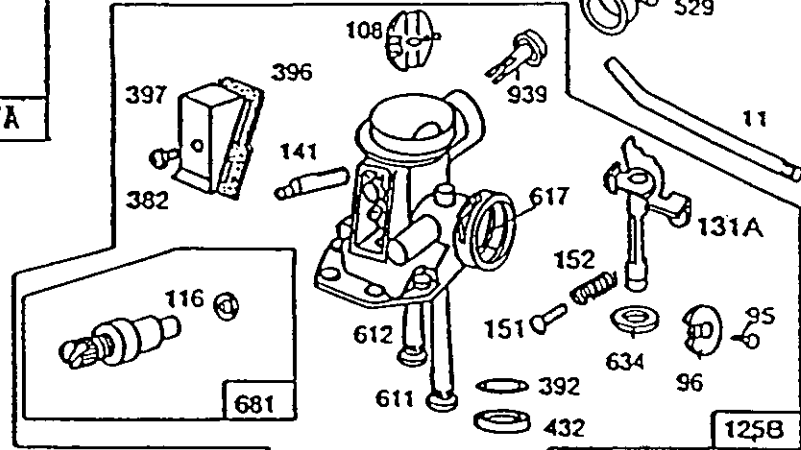
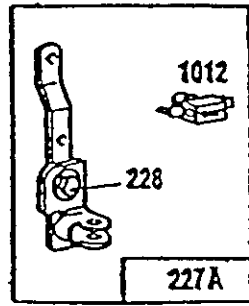
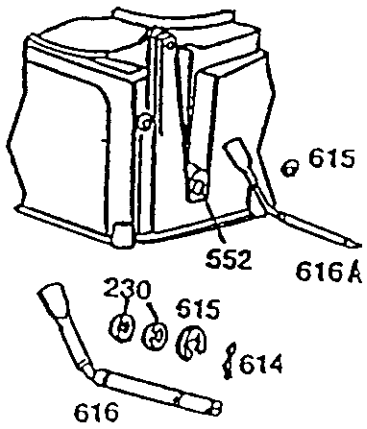
Assemblies include all parts shown in frames.

104

92900 to 92999

SPECIAL PARTS FOR 5900 SERIES
(MECHANICAL GOVERNOR)

121 CARBURETOR KIT



121 CARBURETOR KIT

92900 to 92999

REF. NO.	PART NO.	DESCRIPTION	REF. NO.	PART NO.	DESCRIPTION	REF. NO.	PART NO.	DESCRIPTION
1	399164	Cylinder Assembly ----- Note ----- 396002 Cylinder Assy. Used on Type No(s). 5104.			Used on Type No(s). 5042. 260224 Crankshaft Use(s): 220708 Shim- Crankshaft, Thrust Used on Type No(s). 5043.			5308, 5310, 5312, 5314, 5319, 5322, 5327, 5328, 5335, 5337, 5339, 5343, 5345, 5347, 5349, 5367, 5373, 5384, 5388, 5390, 5391, 5392, 5396, 5399, 5400, 5404, 5405, 5912.
1A	399163	Cylinder Assembly (Mechanical Governor)						
2	293708	Bushing ----- Note ----- Requires Special Tools For Installation.			260400 Crankshaft Used on Type No(s). 5026, 5362. 260411 Crankshaft Used on Type No(s). 5028. 260670 Crankshaft Used on Type No(s). 5021. 260856 Crankshaft Use(s): 220708 Shim- Crankshaft, Thrust Used on Type No(s). 5082. 260957 Crankshaft Used on Type No(s). 5024. 261007 Crankshaft Use(s): 220708 Shim- Crankshaft, Thrust Used on Type No(s). 5045. 261133 Crankshaft Used on Type No(s). 5079. 397221 Crankshaft Used on Type No(s). 5154, 5156, 5157, 5360, 5361. 492086 Crankshaft Used on Type No(s). 5002, 5007, 5017, 5072, 5091, 5106, 5150, 5151, 5186, 5190, 5194, 5195, 5201, 5202, 5204, 5209, 5213, 5214, 5215, 5221, 5223, 5224, 5226, 5228, 5229, 5230, 5236, 5238, 5242, 5243, 5253, 5261, 5265, 5274, 5275, 5280, 5286, 5288, 5292, 5295, 5296, 5298, 5301, 5302, 5304,			492412 Crankshaft Used on Type No(s). 5080, 5205, 5911. 492748 Crankshaft Used on Type No(s). 5006, 5015, 5016, 5036, 5051, 5065, 5066, 5071, 5090, 5093, 5101, 5102, 5103, 5104, 5105, 5122, 5124, 5129, 5130, 5133, 5162, 5164, 5165, 5178, 5185, 5192, 5199, 5200, 5208, 5210, 5217, 5218, 5222, 5227, 5231, 5232, 5233, 5234, 5235, 5239, 5241, 5244, 5245, 5246, 5247, 5248, 5249, 5250, 5252, 5254, 5255, 5256, 5257, 5258, 5260, 5262, 5263, 5264, 5266, 5267, 5268, 5269, 5270, 5271, 5276, 5279, 5284, 5289, 5290, 5291, 5294, 5297, 5299, 5300, 5303, 5307, 5309, 5311, 5313, 5315, 5318, 5320, 5321, 5323, 5324, 5325, 5326, 5329, 5331, 5332, 5333, 5334, 5336, 5341, 5342, 5346, 5347, 5350, 5351, 5354, 5355, 5365, 5368, 5369, 5370, 5371, 5372, 5374, 5375, 5376, 5378, 5379, 5380, 5383, 5386, 5387, 5394, 5395, 5397, 5398, 5401, 5402, 5403.
3	*299819	Seal-Oil						
5	211479	Head-Cylinder ----- Note ----- 213942 Head-Cylinder Used on Engines With Muffler Guard.						
7	*272170	Gasket-Cylinder Head						
8	298383	Breather Assy.						
9	*270239	Gasket-Breather						
10	93394	Screw-Breather and P.T.O. Gear Cover (Ref. No. 86) Mtg. Sem						
11	231272	Tube-Breather						
11A	230802	Tube-Breather						
12	*270833	Gasket-Crankcase (.015" Thick, Standard) *270895 Gasket- Crankcase (.005" Thick) *270896 Gasket- Crankcase (.009" Thick)						
13	93111	Screw-Cylinder Head (1-15/16" Long)						
15	91084	Plug-Oil Drain (Square Head)						
15A	94613	Plug-Oil Drain (Socket Head)						
16	493547	Crankshaft ----- Note ----- To Replace Crankshaft Gear Pin- Order Part No. 230978. 260097 Crankshaft Used on Type No(s). 5023, 5073, 5166, 5211, 5212, 5259, 5278, 5281, 5282, 5293, 5330, 5366, 5382. 260099 Crankshaft Use(s): 220708 Shim- Crankshaft, Thrust						

- * Included in Gasket Set-Part No. 298989.
- + Included in Starter Drive Kit-Part No. 395727.
- Included in Carburetor Kit-Part No. 494623.

92900 to 92999

REF. NO.	PART NO.	DESCRIPTION	REF. NO.	PART NO.	DESCRIPTION	REF. NO.	PART NO.	DESCRIPTION
		493618 Crankshaft Used on Type No(s). 5008. -----			391645 Sump-Engine Used on Type No(s). 5008, 5065, 5066. The Following Engine Sumps Do Not Have An Oil Fill Boss.			93032 Screw In the Other (5) Sump Mounting Holes.
		494564 Crankshaft (Used After Code Date 91063000).			18B 395384 Sump-Engine ----- Note -----	23	394848	Flywheel ----- Note -----
		494034 Crankshaft (Used Before Code Date 91070100). Used on Type No(s). 5004, 5019, 5050, 5074, 5174, 5175, 5193, 5197, 5203, 5216, 5219, 5220, 5225, 5237, 5240, 5251, 5272, 5273, 5277, 5283, 5285, 5287, 5305, 5306, 5340, 5344, 5353, 5356, 5357, 5389. -----			395385 Base-Engine Used on Type No(s). 5286.			394066 Flywheel (Heavy) Used on Type No(s). 5005, 5015, 5019, 5023, 5050, 5051, 5197, 5202, 5213, 5216, 5220, 5225, 5231, 5233, 5237, 5239, 5240, 5244, 5245, 5248, 5249, 5251, 5252, 5265, 5266, 5270, 5277, 5278, 5282, 5284, 5285, 5286, 5292, 5303, 5305, 5306, 5315, 5318, 5322, 5335, 5337, 5340, 5342, 5346, 5355, 5357, 5366, 5367, 5368, 5375, 5379, 5387, 5388, 5390, 5392, 5395, 5399, 5405.
		494109 Crankshaft Used on Type No(s). 5377.			18C 395390 Sump-Engine Used on Model Series 92980 to 92989.			496895 Flywheel Used on Type No(s). 5075, 5078, 5080.
		494375 Crankshaft Used on Type No(s). 5029, 5075, 5078, 5080, 5316, 5317, 5352.			18D 395392 Sump-Engine (For Clutch)			23A 395653 Flywheel
		The Following Engine Sumps Have An Oil Fill Boss.			19 293709 Bushing (Engine Sump) ----- Note ----- Requires Special Tools For Installation.			24 222698 Key-Flywheel
18	293512	Sump-Engine ----- Note -----			20 *391483 Seal-Oil ----- Note -----			25 298904 Piston Assembly (Standard)
		298280 Sump-Engine Used on Model Series 92990 to 92999.			391484 Seal-Oil (1/2" Aux. Drive Shaft) Used on Model Series 92990 to 92999.			298905 Piston Assy. (.010" O.S.)
		390017 Sump-Engine Used on Type No(s). 5045, 5082.			391485 Seal-Oil (Crankshaft-P.T.O. Side) Used on Type No(s). 5042, 5043, 5045, 5082.			298906 Piston Assy. (.020" O.S.)
		390149 Sump-Engine Used on Type No(s). 5075.			280381 Plug-Oil Fill (Used Before Code Date 85060300).			298907 Piston Assy. (.030" O.S.)
		394305 Sump-Engine Used on Type No(s). 5078, 5079, 5080, 5205, 5377, 5911.	20A 280266		Seal-Oil	26	298982	Ring Set (Standard)
		394157 Sump-Engine Used on Type No(s). 5071, 5072, 5073, 5074, 5090, 5091, 5104, 5390.	21 280485		Plug-Oil Fill (Used After Code Date 85060200). ----- Note -----			299742 Ring Set (Chrome Standard)
18A	299058	Sump-Engine Used on Model Series 92980 to 92989. ----- Note -----	21A 66768		Plug-Oil Fill (Used With Engine Sumps With An Oil Fill Boss).			298983 Ring Set (.010" O.S.)
			21B 399195		Plug-Oil Fill			298984 Ring Set (.020" O.S.)
			22 93032		Screw-Mtg. Sem			298985 Ring Set (.030" O.S.)
			22A 93415		Screw-Sump Mtg. Sem (One Used in Auxiliary Drive Gear Sump) Used on Model Series 92980 to 92999 ----- Note ----- Use(s):	27 26026		Lock-Piston Pin
						28 298909		Pin-Piston (Standard)
								298908 Pin-Piston (.005" O.S.)

* Included in Gasket Set-Part No. 298989.
+ Included in Starter Drive Kit-Part No. 395727.
• Included in Carburetor Kit-Part No. 494623.

92900 to 92999

REF. NO.	PART NO.	DESCRIPTION	REF. NO.	PART NO.	DESCRIPTION	REF. NO.	PART NO.	DESCRIPTION
29	294201	Rod-Connecting (Standard)			(Plastic)	81	223256	Lock-Muffler Screw
	296079	Rod-Conn. (.020" Undersize)			----- Note -----	83	230831	Shaft-Aux. Drive
31	222282	Washer-Connecting Rod Screw (One For Each Screw)			394800 Gear-Cam (Metal)			----- Note -----
32	94404	Screw-Connecting Rod			396202 Gear-Cam Used on Model Series 92990 to 92999.			230860 Shaft-Aux. Drive
33	296676	Valve-Exhaust	46A	396197	Gear-Cam (Clockwise)			Used on Type No(s). 5008, 5050.
		----- Note -----			----- Note -----			230948 Shaft-Drive Used on Type No(s). 5065, 5197, 5225, 5235, 5236, 5262, 5295, 5304, 5305, 5306, 5333, 5334, 5350, 5380.
	262581	Valve-Exhaust (Used After Code Date 90071500).			395317 Gear-Cam (Counterclockwise) Used on Type No(s). 5065, 5110, 5154, 5204, 5235, 5256, 5257, 5258, 5276, 5304, 5311, 5336, 5354, 5361, 5380.			230952 Shaft-Drive Used on Type No(s). 5204, 5256, 5258, 5276, 5311.
	494188	Valve-Exhaust (Used Before Code Date 90071600). Used on Type No(s). 5036.	46B	394231	Gear-Cam (For Clutch)			231213 Shaft-Drive Used on Type No(s). 5133, 5354.
	260443	Valve-Exhaust Used on Type No(s). 5244, 5253, 5339.	47	491688	Slinger-Oil			
34	296677	Valve-Intake			----- Note -----	83A	231278	Gear-Drive
35	260552	Spring-Valve (Intake Valve)			394044 Slinger-Oil Used on Type No(s). 5911.			----- Note -----
36	26478	Spring-Valve (Exhaust Valve)	52	*270345	Gasket-Intake Elbow			231279 Gear-Drive (Counterclockwise) Used on Type No(s). 5065, 5154, 5204, 5235, 5256, 5257, 5258, 5262, 5276, 5304, 5311, 5333, 5334, 5336, 5350, 5354, 5361, 5380.
		----- Note -----	53	391982	Screw and Washer Set			
	262750	Spring-Valve (Used After Code Date 90071500).	54	93485	Screw-Self Tapping			
	26826	Spring-Valve (Used Before Code Date 90071600). Used on Type No(s). 5036, 5244, 5253, 5339.	56	280439	Pulley-Starter			
37	223150	Guard-Flywheel	57	490179	Spring-Rewind Starter			
38	93777	Screw-Sem	58	66734	Rope-Starter (48-5/8" Long)			
40	93312	Retainer-Valve			----- Note -----	86	221780	Cover-Sump
		----- Note -----			280399 Rope-Starter If Longer Rope is Needed, Order Part and Cut to Required Length.	87	391484	Seal-Oil
	491442	Retainer- Valve (Used After Code Date 90071500).	59	396892	Insert-Starter Rope	88	*270328	Gasket-Sump Cover
	292259	Retainer- Valve	60	393152	Grip-Starter Rope	90	396841	Carburetor
	230126	Pin-Retainer	65	93587	Screw-Starter Mounting	95	93499	Screw-Sem
	230127	Keeper-Valve (Used Before Code Date 90071600). Used on Type No(s). 5036, 5244, 5253, 5339.	65A	94124	Screw-Round Hd.	96	211237	Valve-Throttle
45	230173	Tappet-Valve	66	399671	Clutch-Starter	97	298821	Shaft-Throttle
46	493747	Gear-Cam	67	394897	Housing-Clutch	108	280370	Valve-Choke
			68	63770	Ball-Clutch			----- Note -----
			69	68938	Washer-Thrust			280429 Valve-Choke (Used After Code Date 83110604).
			69A	223225	Washer-Clip			280370 Valve-Choke (Used Before Code Date 83110704). Used on Type No(s). 5150, 5166, 5209, 5215, 5244, 5245, 5253, 5339, 5344, 5355, 5366, 5367, 5911.
			69B	223228	Washer-Thrust			
			70	298799	Ratchet-Clutch			
			71	394506	Washer-Clutch Ret.			
			73	221661	Screen-Rotating			
			74	93758	Screw-Sem			
			74A	93490	Screw-Sem	108A	280178	Valve-Choke
			75	224061	Washer-Spring	108B	280024	Valve-Choke
			76	68238	Washer-Sealing	109	68628	Shaft-Choke

* Included in Gasket Set-Part No. 298989.
+ Included in Starter Drive Kit-Part No. 395727.
• Included in Carburetor Kit-Part No. 494623.

92900 to 92999

REF. NO.	PART NO.	DESCRIPTION	REF. NO.	PART NO.	DESCRIPTION	REF. NO.	PART NO.	DESCRIPTION
116	●280203	O-Ring			5023, 5050, 5051,			5275, 5276, 5279,
121	494623	Carburetor Kit			5129, 5197, 5202,			5296, 5299, 5310,
125	395957	Carburetor			5213, 5216, 5220,			5315, 5368, 5387,
		----- Note -----			5225, 5233, 5237,			5390, 5400.
		397178 Carburetor			5239, 5240, 5244,			261060 Spring-Gov.
		(Used After Code Date			5245, 5248, 5249,			Used on Type No(s).
		83110700).			5251, 5252, 5265,			5001, 5002, 5004,
		Used on Type No(s).			5266, 5270, 5278,			5005, 5007, 5024,
		5150, 5166, 5209,			5282, 5284, 5286,			5042, 5043, 5218,
		5215, 5244, 5245,			5292, 5303, 5305,			5219, 5231, 5233,
		5253, 5339, 5344,			5306, 5315, 5318,			5241, 5244, 5264,
		5355, 5366, 5367.			5322, 5335, 5337,			5268, 5274, 5283,
		397884 Carburetor			5340, 5342, 5345,			5284, 5303, 5308,
		Used on Type No(s).			5346, 5355, 5357,			5311, 5318, 5333,
		5154, 5156, 5157,			5366, 5367, 5368,			5334, 5335, 5348,
		5356, 5360, 5361.			5375, 5379, 5387,			5349, 5350, 5367,
125A	395957	Carburetor			5388, 5392, 5395,			5397.
		----- Note -----			5396, 5399.			261061 Spring-Gov.
		397178 Carburetor	201A	261918	Link			Used on Type No(s).
		Used on Type No(s).			(Governor)			5227, 5238, 5248,
		5150, 5166, 5209,	202	261897	Link			5282, 5294, 5365,
		5215, 5244, 5245.			(Throttle)			5366.
125B	397180	Carburetor	203	280272	Bell Crank			261105 Spring-Gov.
125C	396336	Carburetor	205	231520	Screw-Shoulder			Used on Type No(s).
131	299977	Shaft-Throttle			(Used After Code Date			Used on Type No(s).
		----- Note -----			86112300).			3162, 3271, 3278,
		397542 Shaft-Throttle			----- Note -----			3286, 3288, 5008,
		Used on Type No(s).			93838 Screw-			5026, 5066, 5075,
		5154, 5156, 5157,			Shoulder			5079, 5082, 5091,
		5356, 5360, 5361.			(Used Before Code			5154, 5156, 5157,
131A	394035	Shaft-Throttle			Date 86112400).			5254, 5255, 5256,
141	68908	Shaft-Choke	209	260877	Spring-Governor			5257, 5258, 5281,
151	93524	Screw-Rd. Hd.			----- Note -----			5286, 5287, 5289,
152	260746	Spring-Adjustment			260875 Spring-Gov.			5295, 5306, 5316,
163	★271139	Gasket-Air Cleaner			Used on Type No(s).			5317, 5320, 5321,
163A	271077	Gasket-Air Cleaner			5103, 5278, 5337,			5323, 5347, 5351,
166	231332	Stud-Air Cleaner			5396, 5398, 5405.			5360, 5361.
171	93203	Nut-Hex.			260876 Spring-Gov.			261106 Spring-Gov.
180	396781	Tank-Fuel			Used on Type No(s).			Used on Type No(s).
180A	397150	Tank-Fuel			5028, 5213, 5216,			3015, 3016, 3017,
181	298425	Cap-Fuel Tank			5240, 5263, 5309,			3018, 3019, 3050,
		----- Note -----			5322.			3051, 3052, 3053,
		297863 Cap-Fuel			261034 Spring-Gov.			3060, 3064, 3065,
		Tank			Used on Type No(s).			3148, 3173, 3174,
		Used on Type No(s).			3182, 3192, 3227,			3187, 3234, 3240,
		5277, 5285.			3262, 3266, 3285,			3253, 3276, 3277,
188	93585	Screw-Sem			3290, 3294, 3304,			3282, 3284, 3287,
190	93440	Screw-Fuel Tank Mtg.			3310, 3311, 3313,			3289, 3291, 3293,
191	270253	Diaphragm-Carburetor			3314, 5015, 5016,			3300, 3301, 3303,
200	68388	Blade-Governor			5017, 5109, 5021,			3305, 3306, 3308,
201	261027	Link			5023, 5029, 5045,			3309, 3312, 5008,
		(Governor)			5050, 5051, 5065,			5078, 5205, 5234,
		----- Note -----			5071, 5072, 5073,			5235, 5277, 5285,
		260878 Link			5074, 5093, 5203,			5304, 5327, 5328,
		Used on Type No(s).			5204, 5217, 5242,			5329, 5339, 5357,
		5005, 5015, 5019,			5243, 5247, 5249,			5371, 5380, 5388,
					5250, 5267, 5273,			5391.

★ Included in Gasket Set-Part No. 298989.
 + Included in Starter Drive Kit-Part No. 395727.
 ● Included in Carburetor Kit-Part No. 494623.

92900 to 92999

REF. NO.	PART NO.	DESCRIPTION	REF. NO.	PART NO.	DESCRIPTION	REF. NO.	PART NO.	DESCRIPTION
		261320 Spring-Gov. Used on Type No(s). 5251, 5292, 5345, 5370.			and Cut to Required Length.			(12 Volt) Identified by White Ground Insulator
		261419 Spring-Gov. Used on Type No(s). 3191, 3219, 3224, 3241, 3279, 3283.	270	63426	Locknut-Casing	310	94051	Bolt-Starter Motor
		261948 Spring-Gov. Used on Type No(s). 3030, 3131, 3170, 3184, 3188, 3214, 3267, 3280, 3295, 5080, 5090, 5101, 5220, 5226, 5252, 5377, 5404.	271	290568	Lever-Control	311	395728	Brush Set (Starter Motor)
209A	261935	Spring-Governor Used on Type No(s). 5911.	284	94073	Screw-Clamp Mtg.	319	298502	Armature-Magneto (Less Trigger Coil)
		----- Note -----	284A	93892	Screw-Hex. Hd.	324	223006	Screen-Rotating
		261642 Spring-Gov. Used on Type No(s). 5912.	284B	94620	Screw-Clamp Mtg.	331	223047	Washer-Flywheel
217	261520	Spring-Link (Clutch Lever)	298	220859	Locknut-Muffler	332	92284	Nut-Flywheel
227	491482	Lever-Governor (Used After Code Date 88011000).	299	493288	Muffler-Exhaust	333	398593	Armature-Magneto
227A	491481	Lever-Governor (Used Before Code Date 88011100).	300	394569	Muffler-Exhaust (Lo-Tone, 3" O.D.)	333A	398593	Armature-Magneto
228	93490	Screw-Hex. Hd.	300A	394644	Muffler-Exhaust	334	93381	Screw-Armature Mtg.
230	220680	Washer-Gov. Lever			----- Note -----	335	93435	Screw-Armature and Gov. Blade Mtg. Sem
258	94018	Screw-Sem (Bracket to Cylinder)			395600 Muffler-Ex. (Underdeck Exhaust, Gasket Included)	337	492167	Plug-Spark (1-7/8" High, 48 mm)
265	22372	Clamp-Casing	300B	298830	Muffler-Exhaust (2-1/2" O.D.)			----- Note -----
267	93469	Screw-Clamp Mtg.	304	396346	Housing-Blower (For Dial-Trol)			29693 Plug-Spark (2" High, 51 mm)
268	66986	Casing-Wire (48" Long)			----- Note -----			293918 Plug-Spark (Resistor Type) (1-1/2" High, 38 mm)
		----- Note -----			(For Type Numbers Not Listed Below, See Ref. No. 608.)			298809 Plug-Spark (1-1/2" High, 38 mm)
		If Longer Casing is Needed, Specify Length in Inches; If a Shorter Casing is Needed, Order Part and Cut to Required Length.			223132 Hsg.-Blower (For Electric Starter) Used on Model Series 92907, 92987.			802592 Plug-Spark (Resistor Type) (1-7/8" High, 48 mm)
269	26099	Wire-Control (54" Long)	305	94153	Screw-Sem	346	93705	Screw-Hex. Hd.
		----- Note -----	306	221805	Shield-Cylinder	351	93735	Screw-Terminal
		If Longer Wire is Needed, Specify Length in Inches; If Shorter Wire is Needed, Order Part	307	93490	Screw-Sem	352	66068	Washer
			309	396439	Motor-Starter (6 Volt)	353	92791	Washer-Lock
					----- Note -----	354	90576	Nut-Hex.
					396384 Motor-Starter (6 Volt) (Used Before Code Date 82040100).	355	66554	Washer-Insulating
					397863 Motor-Starter	356	398808	Wire-Stop
						356A	398808	Wire-Stop
								----- Note -----
								396585 Wire-Stop Used on Type No(s). 5080, 5090, 5237, 5268.
						358	298989	Gasket Set
						363	19069	Flywheel Puller
						377	93065	Key-Woodruff (No. 6)
						382	93545	Screw-Choke Link Cover
						383	89838	Wrench-Spark Plug
						390	261249	Spring-Diaphragm
						392	260455	Spring-Diaphragm
						394	•391681	Diaphragm-Carburetor
						396	•270571	Gasket-Choke Cover
						397	211678	Cover-Choke
						409	299839	Control-Speed

- ★ Included in Gasket Set-Part No. 298989.
- + Included in Starter Drive Kit-Part No. 395727.
- Included in Carburetor Kit-Part No. 494623.

92900 to 92999

REF. NO.	PART NO.	DESCRIPTION	REF. NO.	PART NO.	DESCRIPTION	REF. NO.	PART NO.	DESCRIPTION
410	260993	Link-Control	548	396067	Washer Set-Str. Motor			494468 Starter-Rewind
414	223932	Washer (Used After Code Date 86112300).	549	270978	Washer (Below Internal Screw Head)			(6 o'clock) Used on Type No(s). 5405.
		----- Note -----	552	230732	Bushing-Gov. Shaft			396582 Starter-Rewind
		220982 Washer (Used Before Code Date 86112400).	562	92613	Bolt-Carriage (Governor Lever)			(9 o'clock) Used on Type No(s). 5147, 5271, 5317, 5351, 5352.
423	94026	Screw-Sem	575	396291	Switch-Starting Use(s): 392832 Keypad			396835 Starter-Rewind
432	221377	Cap-Spring	592	93991	Nut-Hex.			(9 o'clock) Used on Type No(s). 5147, 5271, 5317, 5351, 5352.
441	222530	Bracket-Oil Fill	592A	231082	Nut-Hex. (Gov. Lever)			396835 Starter-Rewind
445	396424	Filter-Air	608	397228	Starter-Rewind (12 o'clock)			(9 o'clock) Used on Type No(s). 5166, 5178, 5197, 5214, 5215, 5223, 5239, 5247, 5251, 5263, 5265, 5266, 5282, 5305, 5353, 5354, 5357, 5365, 5386, 5399, 5394.
445A	392308	Filter-Air			----- Note -----			397924 Starter-Rewind
446	222844	Base-Air Cleaner			395912 Starter-Rewind (3 o'clock) Used on Type No(s). 5026, 5105, 5106, 5186, 5194, 5209, 5210, 5211, 5218, 5222, 5253, 5275, 5281, 5307, 5313, 5314, 5318, 5330, 5331, 5339, 5340, 5341, 5342, 5344, 5345, 5362.			(9 o'clock) Used on Type No(s). 5279, 5326.
447	93913	Screw-Cover Mtg.			396658 Starter-Rewind (3 o'clock) Used on Type No(s). 5277, 5285.			395952 Starter-Rewind
467	493903	Knob			396677 Starter-Rewind (4 o'clock) Used on Type No(s). 5325.			(10 o'clock) Used on Type No(s). 5150, 5164, 5195, 5216, 5227, 5309, 5370, 5398.
467A	299858	Knob			396678 Starter-Rewind (4 o'clock) Used on Type No(s). 5334, 5350.			396675 Starter-Rewind
474	397880	Alternator			490716 Starter-Rewind (4 o'clock) Used on Type No(s). 5340.			(12 o'clock) Used on Type No(s). 5292.
482	94016	Screw-Hex. Head			490712 Starter-Rewind (6 o'clock) Used on Type No(s). 5151, 5213, 5240, 5322, 5333, 5337, 5366, 5375, 5396, 5401.			399616 Starter-Rewind
508	93158	Screw-Sem						(12 o'clock) Used on Type No(s). 5373, 5378.
510	395727	Drive-Starter						611 297219 Tube Pick-Up (Long)
513	+394815	Clutch-Drive						612 296811 Tube Pick-Up (Short)
523	396372	Cap-Oil Fill						613 93935 Screw-Muffler Mtg.
524	*271485	Seal-Fill Tube						614 93306 Pin-Cotter (Governor Lever)
524A	68838	Seal-Filler Tube						615 93307 Retainer-Lock
525	280578	Tube-Oil Fill (Used After Code Date 85060200).						616 491405 Crank-Governor (Used After Code Date 88011000).
		----- Note -----						
		280382 Tube-Oil Fill (Used Before Code Date 85060300).						
525A	280131	Tube-Oil Fill						
527	222548	Clamp-Tube						
529	280368	Grommet						
529A	67838	Grommet						
534	93865	Screw-Air Cleaner						
534A	93374	Screw-Air Cleaner Note 93865 Screw-Air Cleaner Used on Type No(s). 5185, 5294, 5401.						
534B	94005	Screw-Air Cleaner (Internal)						
535	272235	Filter-Air						
535A	270579	Filter-Air						
535B	271466	Filter-Air						
536	493492	Cleaner-Air						
536A	390055	Cleaner-Air						
544	396058	Armature-Str. (6 Volt) Note 398636 Armature-Starter (12 Volt)						

* Included in Gasket Set-Part No. 298989.
+ Included in Starter Drive Kit-Part No. 395727.
● Included in Carburetor Kit-Part No. 494623.

92900 to 92999

REF. NO.	PART NO.	DESCRIPTION	REF. NO.	PART NO.	DESCRIPTION	REF. NO.	PART NO.	DESCRIPTION
616A	394075	Crank-Governor (Used Before Code Date 88011100).		392064	Starter-Rewind (48-5/8" Rope) Used on Type No(s). 5080.		395585	Charger-Battery (240 Volt) (For 6 Volt Battery)
617	•270344	Seal-Intake Elbow				801	395851	Cap-Drive ----- Note -----
618	260870	Spring (Choke Return)	765	395914	Housing-Rewind Starter ----- Note -----			396387 Cap-Drive (Used Before Code Date 82040100).
620	299974	Bracket-Control		392138	Housing-Rewind Starter Used on Type No(s). 5080.	802	396061	Cap-End
620A	299975	Bracket-Control				803	396059	Housing-Starter
620B	394056	Bracket-Control (Remote Control)				832	493967	Guard-Muffler
620C	298837	Bracket-Control	766	280022	Pulley-Rewind Starter	842	270920	Seal-Cap
621	396847	Switch-Stop (Used After Code Date 85041700). ----- Note -----	767	231048	Pin-Rope Pulley (7/16" Long)	847	399030	Tube-Oil (Used After Code Date 85060200). ----- Note -----
		297472 Switch-Stop (Used Before Code Date 85041800).	768	299948	Pulley-Starter			395869 Tube-Oil (Used Before Code Date 85060300).
621A	297472	Switch-Stop	769	66734	Rope-Starter (48-5/8" Long) ----- Note -----	847A	392055	Tube-Oil
625	298775	Manifold-Intake		280399	Rope-Starter If Longer Rope is Needed, Order Part and Cut to Required Length.	851	221798	Terminal-Cable
634	270167	Washer-Throttle Shaft (Felt)	771	299961	Clip-Starter Spring	852	396397	Cleaner-Air
635	66538	Boot-Spark Plug	774	491288	Insert-Starter Handle	852A	392368	Cleaner-Air
642	223306	Cover-Air Cleaner	775	491288	Grip-Starter Rope	855	211982	Adapter-Air
642A	222626	Cover-Air Cleaner	776	222049	Guide-Rope	869	211172	Seat-Valve (Intake Valve) (Standard) (Used After Code Date 88063000). ----- Note -----
643	280972	Retainer-Air Filter	777	390066	Spring-Vertical Pull Starter			210879 Seat-Valve (Intake Valve) (Used Before Code Date 88070100).
643A	280374	Retainer-Air Filter	778	280021	Cover-Vertical Pull Starter Pulley	870	211291	Seat-Valve (Exhaust Valve) (Standard) ----- Note -----
643B	222594	Retainer-Air Filter	782	+280038	Gear-Starter			For Installation and Options See Repair Manual.
655	222057	Anchor-Spring	783	+261606	Gear-Starter	871	231348	Bushing-Guide (Exhaust Valve) ----- Note -----
666	299992	Gauge-Fuel	784	+223123	Cover-Gear			63709 Bushi-Guide (Intake Valve) See Repair Manual
670	94047	Spacer (Fuel Tank) (23/32" Long)	785	+271457	Gasket-Cover	877	396485	Wire-Alternator
676	393760	Deflector-Muffler	789	395624	Harness-Wiring (Mower) (6 Volt) ----- Note -----	883	*272252	Gasket-Exhaust
676A	393756	Deflector-Muffler		395602	Harness-Wiring (Mower) (14" Long-For Remote Mounting) (6 Volt)	895	394767	Switch-Starting
676B	393755	Deflector-Muffler				897	394970	Magneto® Ignition Kit
676C	396548	Deflector-Muffler		493357	Adapter-Charger (For Use With 493359 6 Volt Battery.)	901	490818	Bracket-Bell Crank
677	93606	Screw-Muffler Deflector	789A	396393	Harness-Wiring (For Use With Solenoid) (6 Volt)	906	261650	Spring
677A	93705	Screw-Muffler Deflector	789B	397916	Harness-Wiring (12 Volt)	907	394871	Sleeve-Clutch
679	270382	Washer-Choke Shaft (Felt)	791	395569	Charger-Battery (120 Volt) (For 6 Volt Battery) ----- Note -----			
680	221839	Washer-Choke Shaft						
681	•395508	Valve-Needle						
720	93474	Pin-Gear to Shaft						
721	221779	Stop-Shaft						
727	280336	Guard-Flywheel						
741	261533	Gear-Timing (For 2 Piece Crankshaft)						
742	93525	Ring-Retaining						
742A	93925	Ring-Retaining (Clutch Lever)						
764	396082	Starter-Rewind ----- Note -----						

* Included in Gasket Set-Part No. 298989.
 + Included in Starter Drive Kit-Part No. 395727.
 • Included in Carburetor Kit-Part No. 494623.

92900 to 92999

REF. NO.	PART NO.	DESCRIPTION	REF. NO.	PART NO.	DESCRIPTION	REF. NO.	PART NO.	DESCRIPTION
908	231220	Gear-Worm ----- Note ----- 231219 Gear-Worm (Counterclockwise) Used on Type No(s). 5268, 5333, 5334, 5350.		493357	Adapter- Charger	946	396526	Guide-Rope
909	271417	Washer-Thrust	933	223278	Pivot-Band Brake	947	396483	Solenoid-Fuel
909A	271418	Washer-Thrust	934	94037	Screw-Spacer	948	396261	Harness-Wiring (8" Long)
909B	271312	Washer-Thrust	935	223128	Switch-Interlock			----- Note -----
910	394051	Lever-Clutch	936	280338	Actuator-Switch			396553 Harness- Wiring (14" Long)
911	223009	Bracket-Clutch	937	+280366	Spline-Starter	949	280684	Guard-Finger
914	93970	Screw-Bracket Mtg.	938	+93941	Ring-Retainer	949A	396579	Guard-Finger
924	261651	Link-Starter Switch	939	395665	Shaft-Choke (Includes Spring)	962	231277	Bushing-Alternator
925	280363	Cover-Linkage	940	224819	Guard-Flywheel (Used After Code Date 92110100). ----- Note -----	963	223502	Strap-Battery Support
928	223162	Bracket-Battery		222403	Guard-Fly- wheel (Used Before Code Date 92110200).	964	94107	Bolt-U
929	93980	Screw-Sem				965	94108	Nut
930	223161	Bracket Support- Battery				988	223600	Bracket-Mounting
931	493359	Starter Battery (6 Volt) Use(s):	942	493239	Bracket-Brake	994	398067	Arrester-Spark
			942A	224331	Bracket-Brake	998	399634	Power Trac Kit
			943	280322	Cover-Starter	1012	280414	Retainer-Link
						1016	490817	Spacer
						1019	491082	Label Kit
						1058	271360	Owner's Manual

* Included in Gasket Set-Part No. 298989.
+ Included in Starter Drive Kit-Part No. 395727.
● Included in Carburetor Kit-Part No. 494623.

