

085400

Illustrated Parts List

Model Series

085400

TYPE NUMBERS
0035 THROUGH 0800

TABLE OF CONTENTS

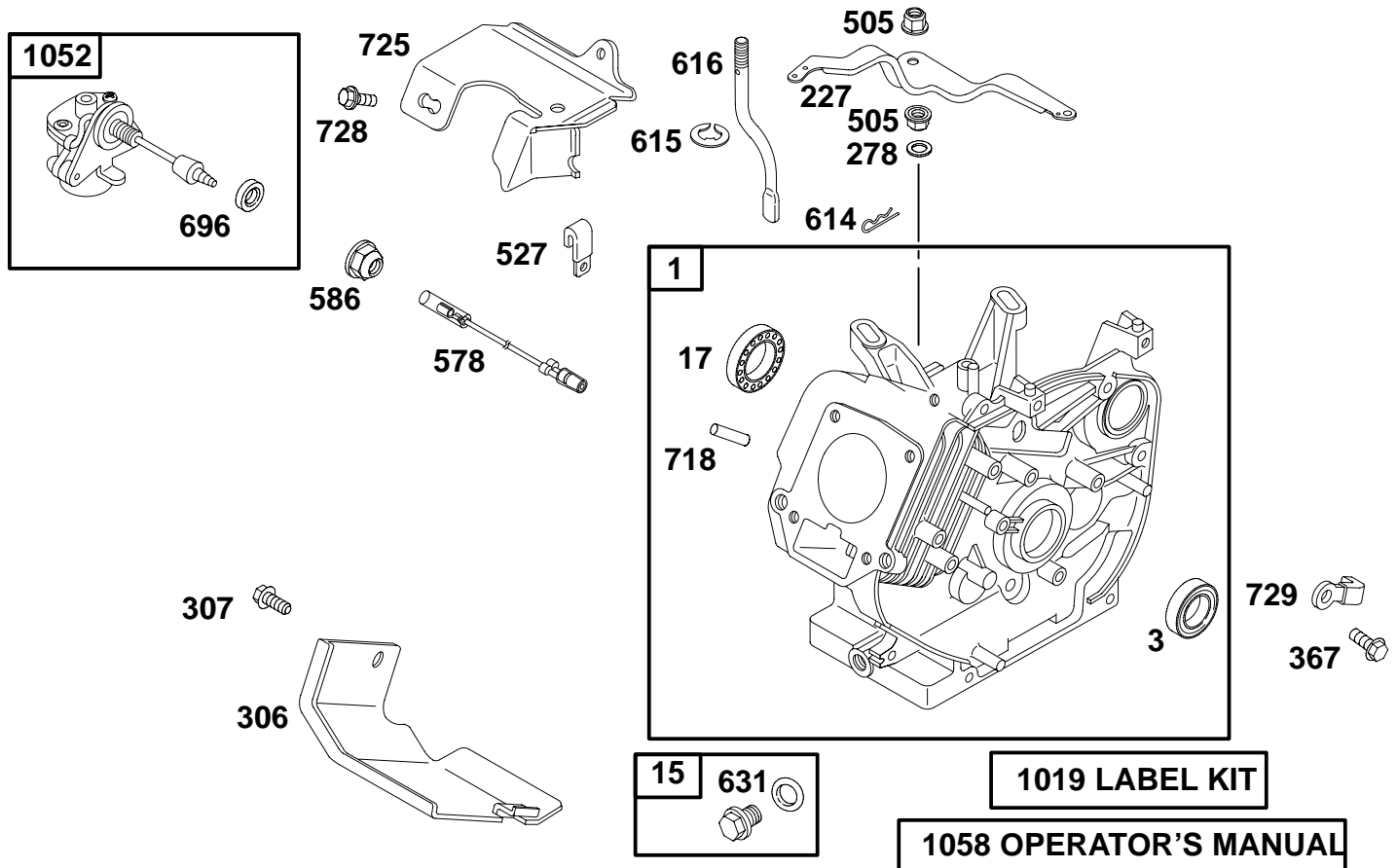
| | |
|-------------------------------|----|
| Air Cleaner | 9 |
| Blower Housing | 3 |
| Camshaft | 5 |
| Carburetor | 7 |
| Controls | 8 |
| Control Panel | 12 |
| Crankcase Cover/Sump | 3 |
| Crankshaft | 6 |
| Cylinder | 2 |
| Flywheel | 12 |
| Fuel System | 11 |
| Governor Spring | 8 |
| Cylinder Head | 4 |
| Ignition | 12 |
| Kits/Gaskets-Carburetor | 15 |
| Kits/Gaskets-Engine | 15 |
| Kits/Gaskets-Valve | 15 |
| Muffler | 10 |
| Oil Sensor Group | 2 |
| Piston and Rod Group | 5 |
| Rewind Starter | 13 |
| Valves | 4 |

PRINTED IN U.S.A.



COPYRIGHT by BRIGGS & STRATTON CORPORATION
 All rights reserved. No part of this material may be reproduced or transmitted, in any form or by any means, electronic or mechanical, including photocopying, recording or by any information storage and retrieval system, without permission in writing from Briggs & Stratton Corporation.

085400



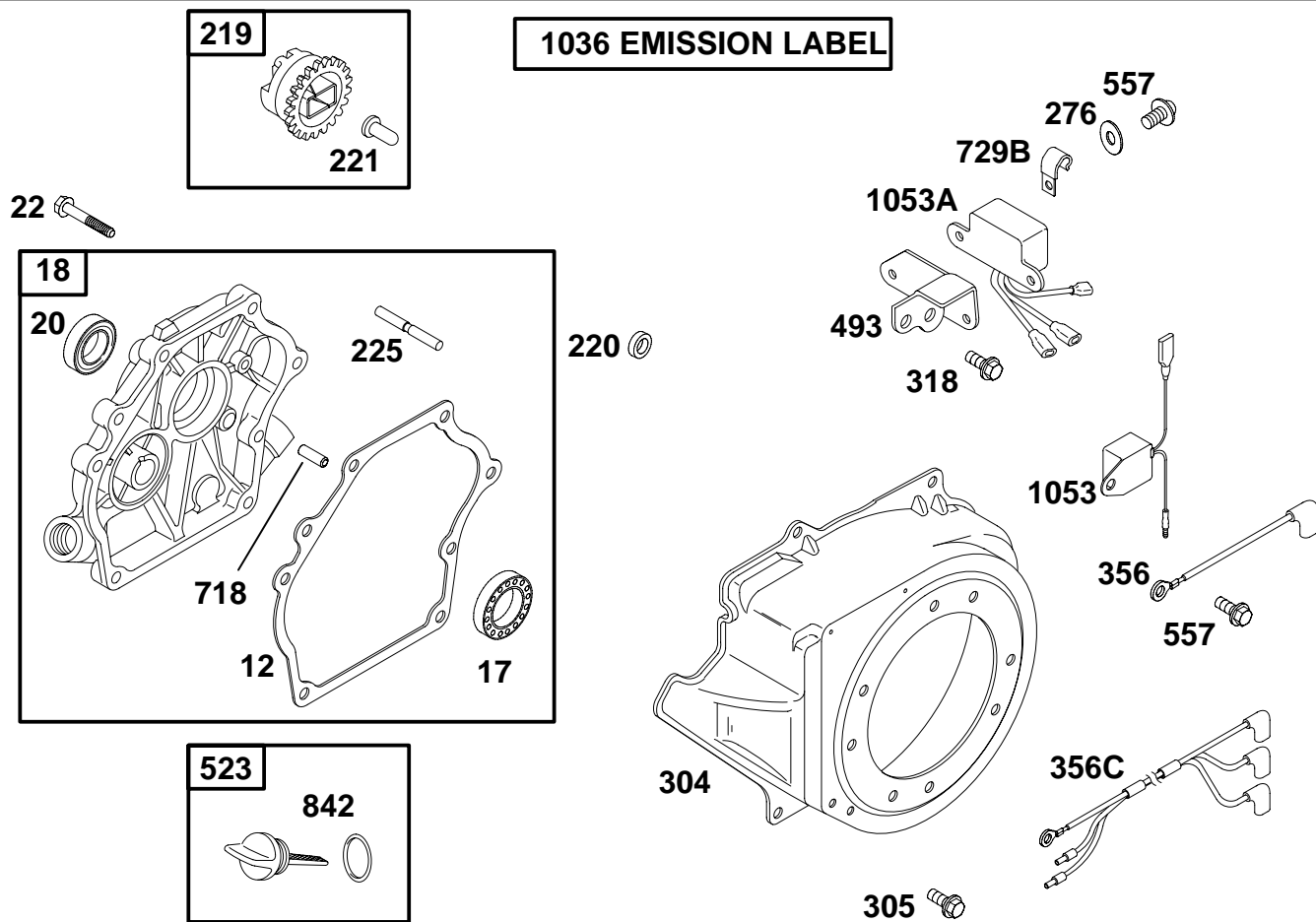
| REF. NO. | PART NO. | DESCRIPTION | REF. NO. | PART NO. | DESCRIPTION | REF. NO. | PART NO. | DESCRIPTION |
|----------|----------|---------------------------------|----------|----------|-------------------------|----------|----------|---------------------|
| 1 | 715033 | Cylinder Assembly | 578 | 710308 | Wire Assembly | 616 | 710153 | Crank-Governor |
| 3 | ★710103 | Seal-Oil | | | Note | 631 | ★710004 | Washer |
| 15 | 715000 | Plug-Oil Drain | | | 710086 Wire Assembly | | | (Oil Drain Plug) |
| 17 | 710133 | Bearing-Ball | | | Used on Type No(s). | 696 | ★710091 | O-Ring Seal |
| 227 | 710155 | Lever-Governor Control | | | 0129, 0130) | 718 | 710005 | Pin-Locating |
| 278 | 710058 | Washer (Governor Control Lever) | 586 | 710090 | Nut (Oil Sensor) | 725 | 710102 | Shield-Heat |
| 306 | 710063 | Shield-Cylinder | 614 | 710056 | Pin-Cotter | 728 | 710023 | Screw (Heat Shield) |
| 307 | 710023 | Screw (Cylinder Shield) | 615 | 710154 | Retainer-Governor Shaft | 729 | 710083 | Clip-Wire |
| 367 | 710023 | Screw (Wire Clip) | | | | 1019 | 715031 | Kit-Label |
| 505 | 710059 | Nut (Governor Control Lever) | | | | 1052 | 715353 | Sensor-Oil |
| 527 | 710100 | Clamp-Tube | | | | 1058 | MS6669 | Operator's Manual |

★ Included in Engine Gasket Set-Ref. No. 358.

△ Included in Valve Gasket Set-Ref. No. 1095.

◆ Included in Carburetor Gasket Set-Ref. No. 977.

● Included in Carburetor Overhaul Kit-Ref. No. 121.



| REF. NO. | PART NO. | DESCRIPTION | REF. NO. | PART NO. | DESCRIPTION | REF. NO. | PART NO. | DESCRIPTION |
|----------|----------|---------------------------------|----------|----------|---------------------------------|----------|----------|--|
| 12 | ★710141 | Gasket-Crankcase | | | ————— Note ————— | 1036 | 710955 | Label-Emissions (Used After Code Date 00063000). |
| 17 | 710133 | Bearing-Ball | | | 710199 Housing-Blower | | | ————— Note ————— |
| 18 | 715052 | Cover-Crankcase | | | Used on Type No(s). 0072, 0272. | | | 710085 Label-Emissions |
| | | ————— Note ————— | 305 | 710023 | Screw (Blower Housing) | | | (Used After Code Date 98123100 and Before Code Date 00070100). |
| | | 715047 Cover-Crankcase | 318 | 710023 | Screw (Mounting Bracket) | | | 499327 Label-Emission |
| | | Used on Type No(s). 0072, 0272. | 356 | 710120 | Wire-Stop | | | (Used After Code Date 97063000 and Before Code Date 9901010). |
| 20 | ★710140 | Seal-Oil | 356C | 711675 | Wire-Stop | | | 499326 Label-Emission |
| 22 | 710032 | Screw (Crankcase Cover/Sump) | | | Used on Type No(s). 0130. | | | (Used Before Code Date 97070100). |
| 219 | 715679 | Gear-Governor | 493 | 710085 | Bracket-Mounting | | 1053 | 710305 |
| 220 | 710035 | Washer (Governor Gear) | 523 | 715588 | Dipstick | | 1053A | 710088 |
| 221 | 710027 | Cup-Governor | 557 | 710089 | Screw (Oil Gard Module) | | | Module-Oil Gard |
| 225 | 710028 | Shaft-Governor Gear | 718 | 710005 | Pin-Locating | | | Used on Type No(s). 0129, 0130, 0230. |
| 276 | 810017 | Washer-Sealing | 729B | 710407 | Clip-Wire | | | |
| 304 | 710166 | Housing-Blower | 842 | ★710029 | Seal-O-Ring | | | |

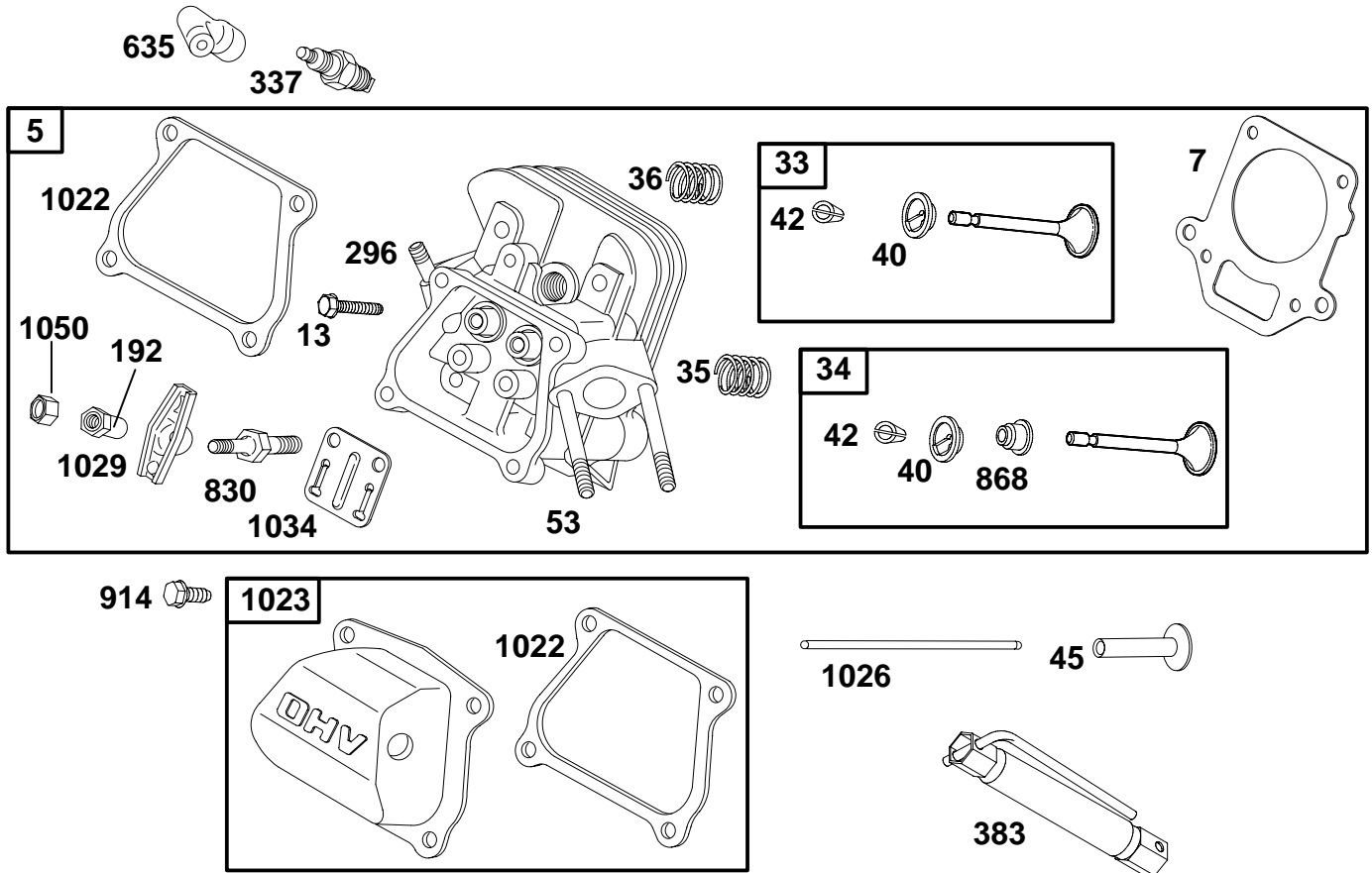
★ Included in Engine Gasket Set-Ref. No. 358.

△ Included in Valve Gasket Set-Ref. No. 1095.

◆ Included in Carburetor Gasket Set-Ref. No. 977.

● Included in Carburetor Overhaul Kit-Ref. No. 121.

085400



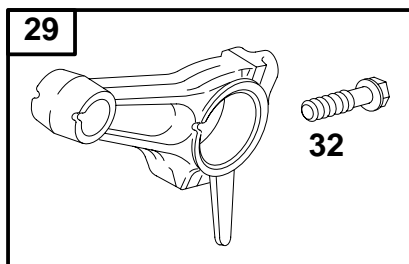
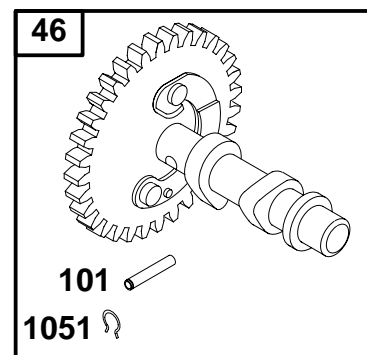
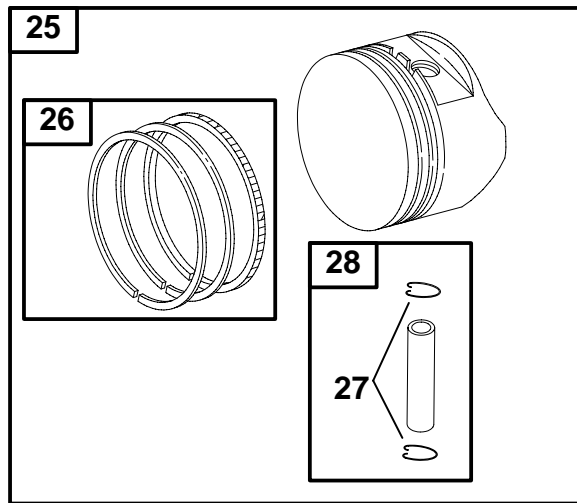
| REF. NO. | PART NO. | DESCRIPTION | REF. NO. | PART NO. | DESCRIPTION | REF. NO. | PART NO. | DESCRIPTION |
|----------|----------|---------------------------|----------|----------|--------------------------|----------|----------|-------------------------|
| 5 | 715051 | Head-Cylinder | 42 | 715130 | Keeper-Valve | 830 | 710016 | Stud-Rocker Arm |
| 7 | Δ710137 | Gasket-Cylinder Head | 45 | 710008 | Tappet-Valve | 868 | Δ710979 | Seal-Valve |
| 13 | 710020 | Screw (Cylinder Head) | 53 | 710148 | Stud (Carburetor) | 914 | 710023 | Screw (Rocker Cover) |
| 33 | 715002 | Valve-Exhaust | 192 | 710015 | Adjuster (Rocker Arm) | 1022 | Δ710024 | Gasket-Rocker Cover |
| 34 | 715003 | Valve-Intake | 296 | 710099 | Stud (Muffler) | 1023 | 715005 | Cover-Rocker |
| 35 | 710011 | Spring-Valve (Intake) | 337 | 491055 | Plug-Spark | 1026 | 710136 | Rod-Push |
| 36 | 710011 | Spring-Valve (Exhaust) | 383 | 19374 | Wrench-Spark Plug | 1029 | 710014 | Arm-Rocker |
| 40 | 710012 | Retainer-Valve | 635 | 710634 | Boot-Spark Plug | 1034 | 710017 | Guide-Push Rod |
| | | | | | | 1050 | 710007 | Nut (Rocker Arm) |

★ Included in Engine Gasket Set-Ref. No. 358.

Δ Included in Valve Gasket Set-Ref. No. 1095.

◆ Included in Carburetor Gasket Set-Ref. No. 977.

● Included in Carburetor Overhaul Kit-Ref. No. 121.



| REF. NO. | PART NO. | DESCRIPTION | REF. NO. | PART NO. | DESCRIPTION | REF. NO. | PART NO. | DESCRIPTION |
|----------|----------|---------------------------------|----------|----------|---|----------|----------|--|
| 25 | 715063 | Piston Assy—Standard (Standard) | 27 | 710142 | Lock—Piston Pin | 46 | 715252 | Camshaft (Used After Code Date 94091300). |
| | 715064 | Piston Assy—010 (.010" O.S.) | 28 | 715066 | Pin—Piston | | | Note |
| | 715065 | Piston Assy—020 (.020" O.S.) | 29 | 715055 | Rod—Connecting (Standard) | | | 715054 Camshaft (Used Before Code Date 94091400). |
| | | | | | Note | | | 715092 Camshaft (Used on Type No(s). 0072, 0272). |
| 26 | 715060 | Ring Set (Standard) | | | 715056 Rod—Connecting (.020" Undersize) | 101 | 710038 | Pin—Shaft |
| | 715061 | Ring Set—010 (.010" O.S.) | 32 | 710041 | Screw (Connecting Rod) | | | Note |
| | 715062 | Ring Set—020 (.020" O.S.) | | | | | | 710615 Pin—Shaft (Used on Type No(s). 0072, 0272). |
| | | | | | | 1051 | 710039 | Ring—Retaining |

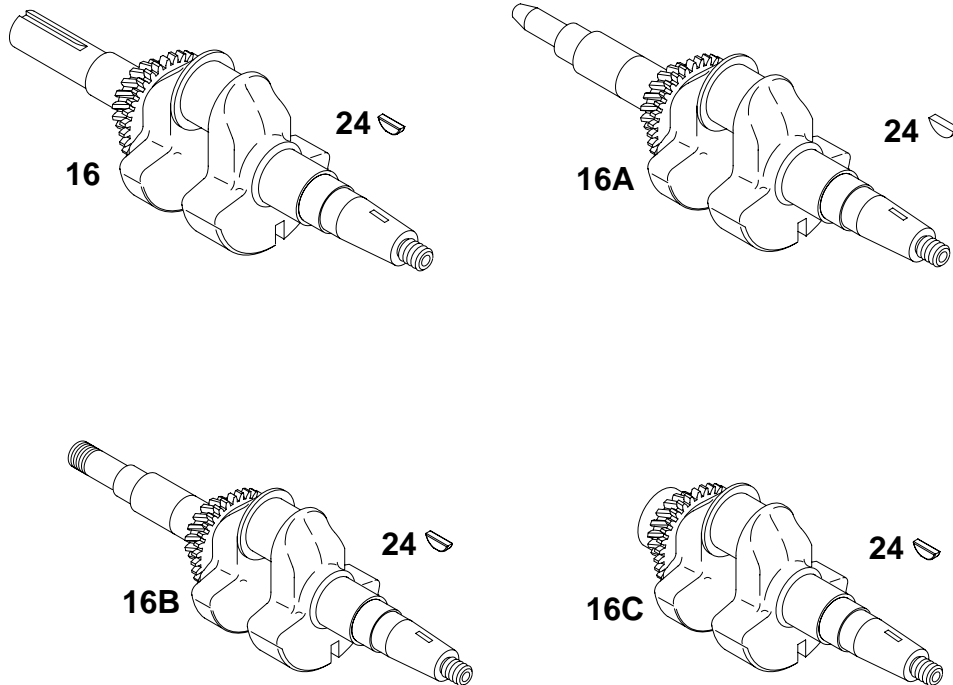
★ Included in Engine Gasket Set—Ref. No. 358.

△ Included in Valve Gasket Set—Ref. No. 1095.

◆ Included in Carburetor Gasket Set—Ref. No. 977.

● Included in Carburetor Overhaul Kit—Ref. No. 121.

085400



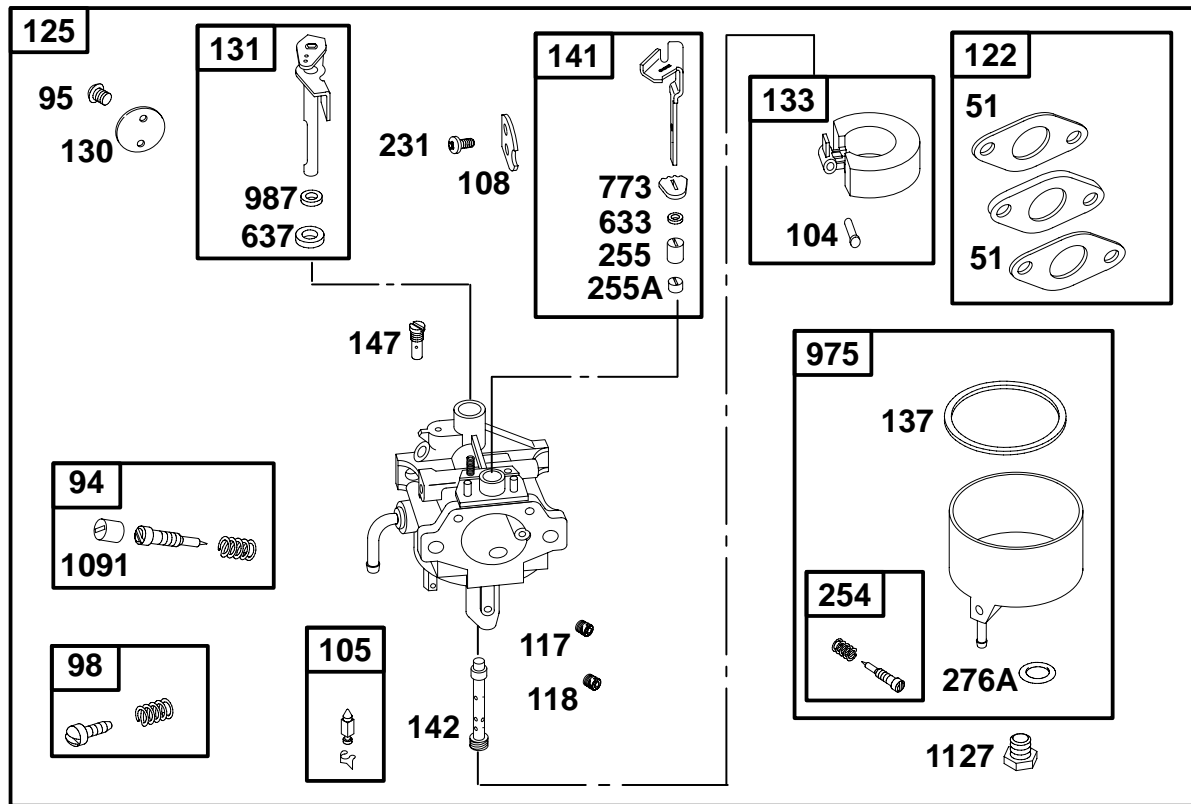
| REF. NO. | PART NO. | DESCRIPTION | REF. NO. | PART NO. | DESCRIPTION | REF. NO. | PART NO. | DESCRIPTION |
|----------|----------|---|----------|----------|---|----------|----------|---|
| 16 | 715244 | Crankshaft (SAE 3/4 Inch Keyway) (Used After Code Date 94091300). Used on Type No(s). 0035, 0235. Note 715053 Crankshaft (SAE 3/4 Inch Keyway) (Used Before Code Date 94091400). Used on Type No(s). 0035. | 16A | 715246 | Crankshaft (SAE Taper) (Used After Code Date 94091300). Used on Type No(s). 0038, 0078, 0126, 0129, 0130, 0133, 0230, 0278. Note 715086 Crankshaft (SAE Taper) (Used Before Code Date 94091400). Used on Type No(s). 0038, 0078, 0126, 0129. | 16B | 715245 | Crankshaft (SAE 5/8 Inch Thread) (Used After Code Date 94091300). Used on Type No(s). 0036. Note 715084 Crankshaft (SAE 5/8 Inch Thread) (Used Before Code Date 94091400). Used on Type No(s). 0036. 716023 Crankshaft (JIS Thread) Used on Type No(s). 0800. |
| | | | | | | 16C | 715090 | Crankshaft (2:1 Gear Reduction) Used on Type No(s). 0072, 0272. |
| | | | | | | 24 | 710037 | Key-Flywheel |

★ Included in Engine Gasket Set-Ref. No. 358.

△ Included in Valve Gasket Set-Ref. No. 1095.

◆ Included in Carburetor Gasket Set-Ref. No. 977.

● Included in Carburetor Overhaul Kit-Ref. No. 121.



| REF. NO. | PART NO. | DESCRIPTION | REF. NO. | PART NO. | DESCRIPTION | REF. NO. | PART NO. | DESCRIPTION |
|----------|----------|--------------------------|----------|----------|---|----------|----------|--|
| 51 | 710060 | Gasket-Intake | 125 | 715475 | Carburetor | 231 | 710683 | Screw (Choke Valve) |
| 94 | 715490 | Kit-Idle Mixture | | | Used on Type No(s). 0035, 0036, 0038, 0072, 0078, 0126, 0129, 0235, 0272, 0278, 0800. | 254 | 715049 | Drain-Carburetor Bowl |
| 95 | 94466 | Screw (Throttle Valve) | | | Note | 255 | 710177 | Bushing-Choke Shaft (Upper) |
| 98 | 715074 | Kit-Idle Speed | | | 715559 Carburetor | 255A | 710179 | Bushing-Choke Shaft (Lower) |
| 104 | 710195 | Pin-Float Hinge | | | Used on Type No(s). 0130, 0230. | 276A | 711319 | Washer-Sealing |
| 105 | 715075 | Valve-Float Needle | 130 | 224211 | Valve-Throttle | 633 | | Seal-Choke/Throttle Shaft (Sold in Kit Only) |
| 108 | 710178 | Valve-Choke | 131 | 715078 | Kit-Throttle Shaft | 637 | | Washer (Throttle Shaft)(Sold in Kit Only) |
| 117 | 710686 | Jet-Main | 133 | 715079 | Float-Carburetor | 773 | 710175 | Retainer |
| 118 | 231645 | Jet-Main (High Altitude) | 137 | | Gasket-Float Bowl (Sold in Kit Only) | 975 | 715050 | Bowl-Float |
| 122 | 715034 | Spacer-Carburetor | 141 | 715080 | Kit-Choke Shaft | 987 | 710185 | Seal-Throttle Shaft |
| | | | 142 | 710192 | Nozzle-Carburetor | 1091 | 710485 | Cap-Limiter |
| | | | 147 | 710188 | Jet-Pilot | 1127 | 710197 | Screw-Float Bowl |
| | | | | | Note | | | |
| | | | | | 231644 Jet-Pilot (High Altitude) | | | |

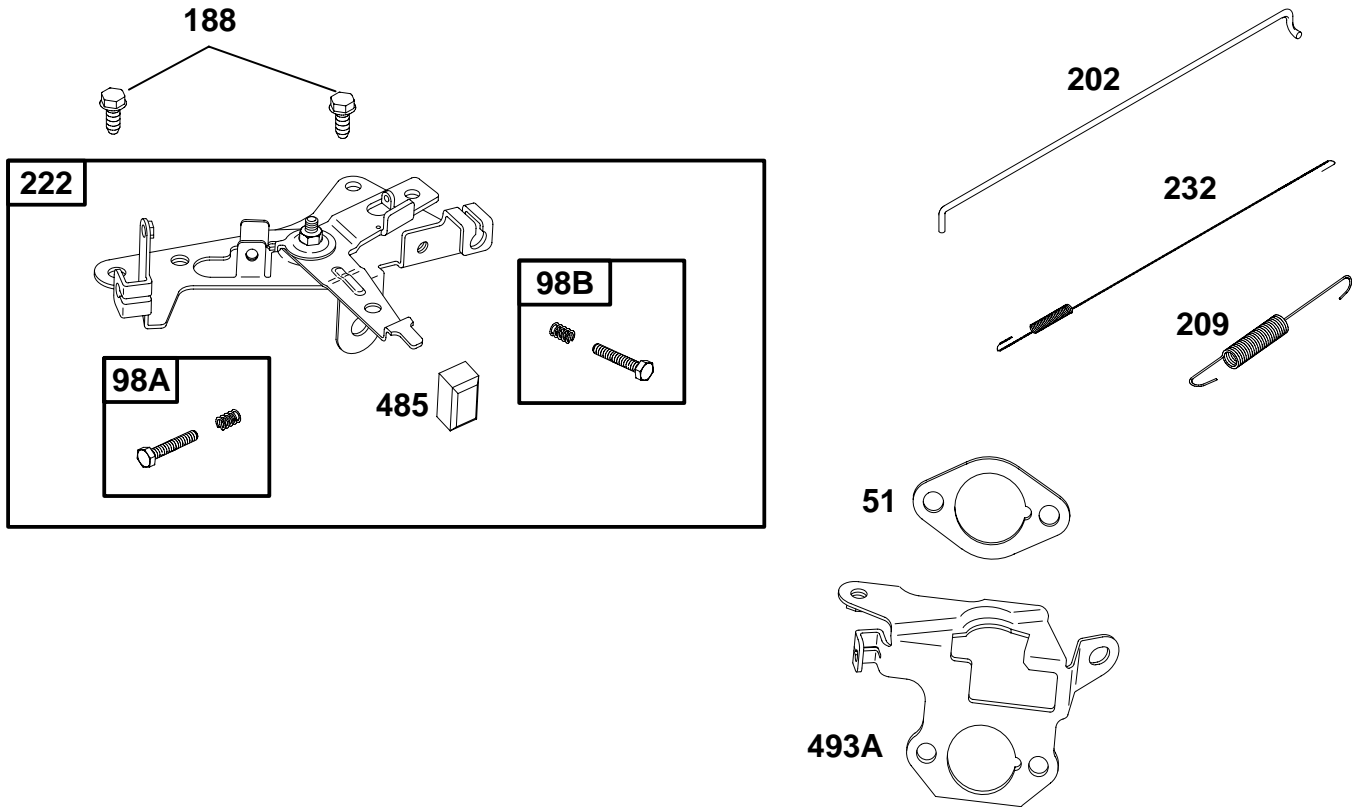
★ Included in Engine Gasket Set-Ref. No. 358.

△ Included in Valve Gasket Set-Ref. No. 1095.

◆ Included in Carburetor Gasket Set-Ref. No. 977.

● Included in Carburetor Overhaul Kit-Ref. No. 121.

085400



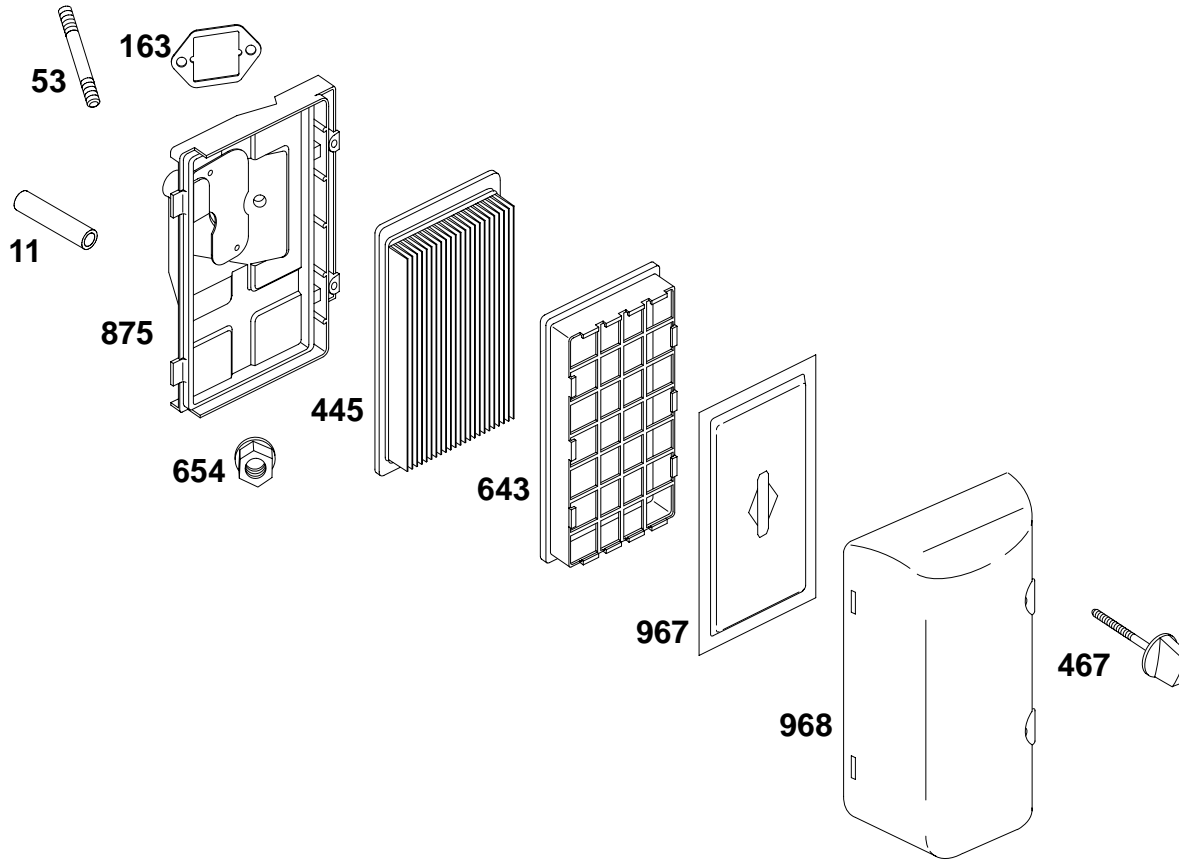
| REF. NO. | PART NO. | DESCRIPTION | REF. NO. | PART NO. | DESCRIPTION | REF. NO. | PART NO. | DESCRIPTION |
|----------|----------|--|----------|----------|---|----------|----------|------------------------|
| 51★◆△ | 710060 | Gasket-Intake | 98A | 715067 | Kit-Idle Speed (High Speed Adjustment) | 222 | 715094 | Bracket Control |
| 98A | 715173 | Kit-Idle Speed (Governed Idle Speed Adjustment) | 188 | 710057 | Screw (Control Bracket) | | | Note |
| | | Note | 202 | 710156 | Link-Mechanical Governor | | | 715068 Bracket Control |
| | | 715067 Kit-Idle Speed (Governed Idle Speed Adjustment) | 209 | 710282 | Spring-Governor | 232 | 710157 | Spring-Governor Link |
| | | Used on Type No(s). 0035, 0036, 0235, 0800. | | | Note | 485 | 692295 | Knob-Control |
| | | | | | 710170 Spring-Governor | 493A | 710149 | Bracket-Mounting |
| | | | | | Used on Type No(s). 0035, 0036, 0235, 0800. | | | |
| | | | | | 710200 Spring-Governor | | | |
| | | | | | Used on Type No(s). 0038, 0072, 0272. | | | |

★ Included in Engine Gasket Set-Ref. No. 358.

△ Included in Valve Gasket Set-Ref. No. 1095.

◆ Included in Carburetor Gasket Set-Ref. No. 977.

● Included in Carburetor Overhaul Kit-Ref. No. 121.



| REF. NO. | PART NO. | DESCRIPTION | REF. NO. | PART NO. | DESCRIPTION | REF. NO. | PART NO. | DESCRIPTION |
|----------|----------|---------------------------------|----------|----------|----------------------------|----------|----------|--------------------|
| 11 | 710115 | Tube-Breather | 467 | 710113 | Knob-Air Cleaner | 967 | 710267 | Filter-Pre Cleaner |
| 53 | 710148 | Stud | 643 | 710147 | Retainer-Air Filter | 968 | 710146 | Cover-Air Cleaner |
| 163 | ★710109 | Gasket-Air Cleaner (Carburetor) | 654 | 710068 | Nut (Carburetor) | | | |
| 445 | 710265 | Filter-Air Cleaner Cartridge | 875 | 710145 | Base-Air Cleaner (Plastic) | | | |

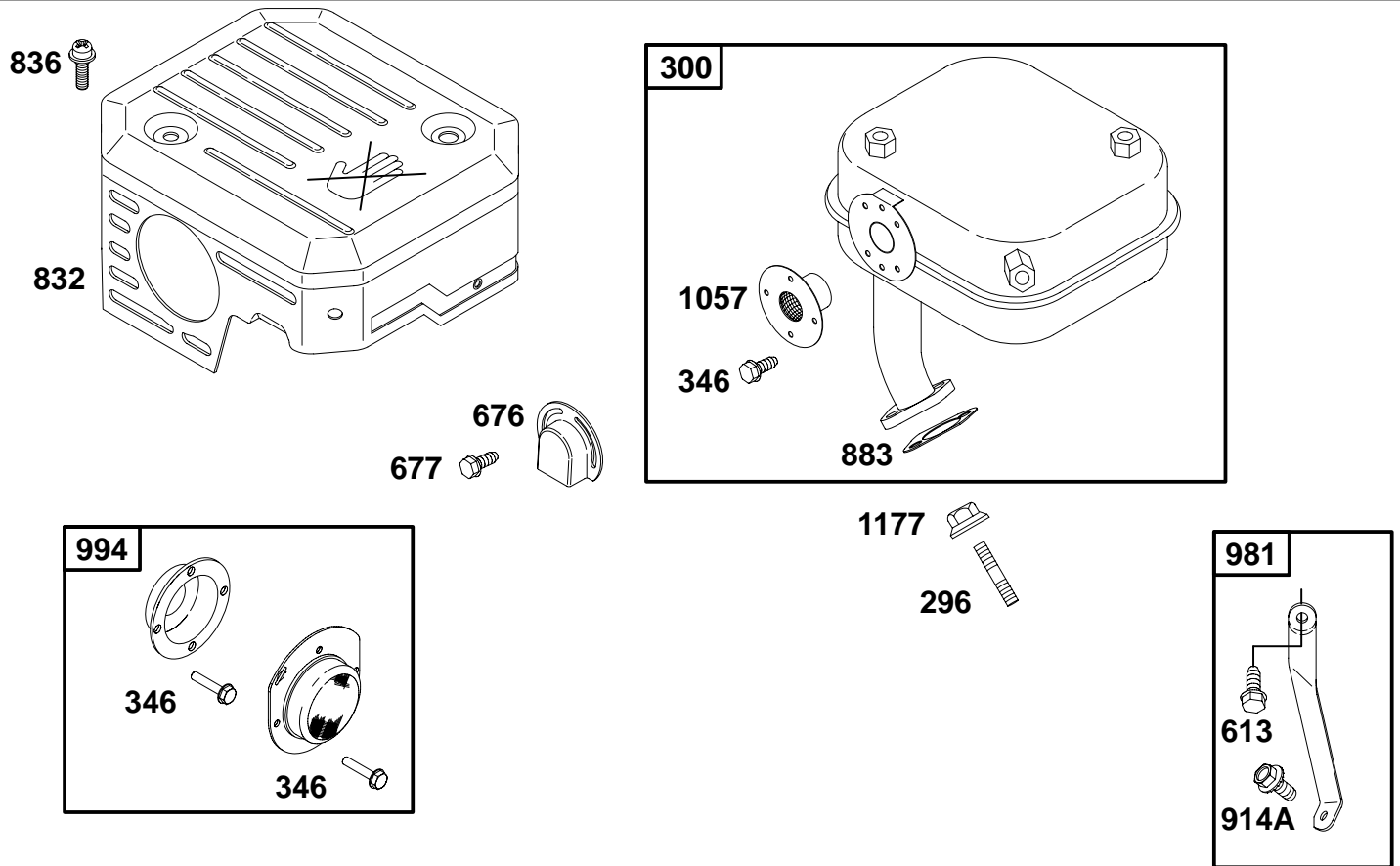
★ Included in Engine Gasket Set-Ref. No. 358.

△ Included in Valve Gasket Set-Ref. No. 1095.

◆ Included in Carburetor Gasket Set-Ref. No. 977.

● Included in Carburetor Overhaul Kit-Ref. No. 121.

085400



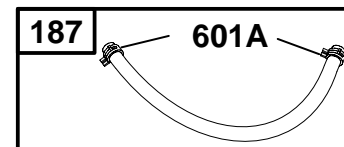
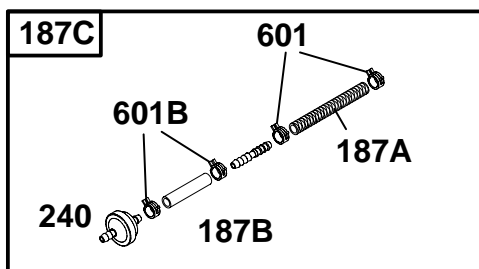
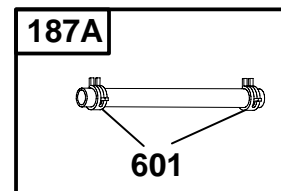
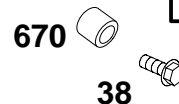
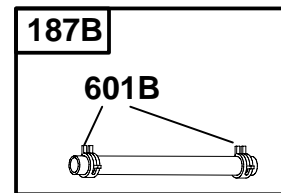
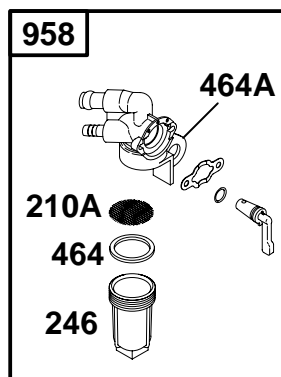
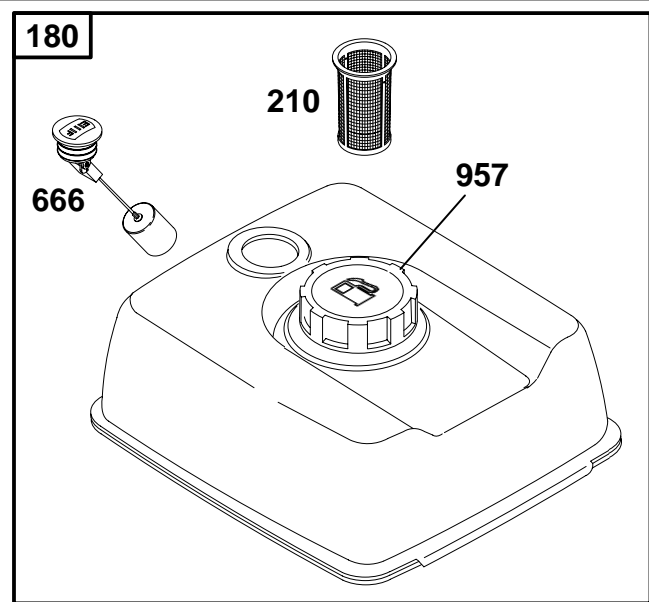
| REF. NO. | PART NO. | DESCRIPTION | REF. NO. | PART NO. | DESCRIPTION | REF. NO. | PART NO. | DESCRIPTION |
|----------|----------|------------------------|----------|----------|---------------------------|----------|----------|----------------------|
| 296 | 710099 | Stud (Muffler) | 676 | 715230 | Deflector-Muffler | 914A | 710248 | Screw (Rocker Cover) |
| 300 | 715487 | Muffler | 677 | 710307 | Screw (Muffler Deflector) | 981 | 715287 | Brace-Muffler |
| 346 | 690661 | Screw (Spark Arrester) | 832 | 710332 | Guard-Muffler | 994 | 715491 | Arrester-Spark |
| 613 | 710057 | Screw (Muffler) | 836 | 710074 | Screw (Muffler Guard) | 1057 | 710329 | Screen-Outlet |
| | | | 883 | Δ★710082 | Gasket-Exhaust | 1177 | 710090 | Nut (Muffler) |

★ Included in Engine Gasket Set-Ref. No. 358.

Δ Included in Valve Gasket Set-Ref. No. 1095.

◆ Included in Carburetor Gasket Set-Ref. No. 977.

● Included in Carburetor Overhaul Kit-Ref. No. 121.



| REF. NO. | PART NO. | DESCRIPTION | REF. NO. | PART NO. | DESCRIPTION | REF. NO. | PART NO. | DESCRIPTION |
|----------|----------|---|----------|----------|--|----------|----------|-------------------------------|
| 38 | 710160 | Screw (Shut Off Valve) | 187B | 296004 | Line-Fuel (1/4 Inch Inside Diameter)(Cut To Required Length) Used on Type No(s). 0133. | 464 | ★710072 | Seal-O Ring |
| 180 | 715327 | Tank-Fuel (Metal) | 187C | 715172 | Line-Fuel | 464A | ★710069 | Seal-O-Ring |
| 187 | 715125 | Line-Fuel (8 mm Inside Diameter) (Cut to Required Length) | 190 | 710023 | Screw (Fuel Tank) | 601 | 710075 | Clamp-Hose |
| 187A | 715126 | Line-Fuel (4 mm Inside Diameter) (Cut to Required Length) | 210 | 710065 | Strainer-Fuel | 601A | 710067 | Clamp-Hose |
| | | | 210A | 710071 | Strainer-Fuel | 601B | 691038 | Clamp-Hose |
| | | | 240 | 298090 | Filter-Fuel | 666 | 710158 | Gauge-Fuel |
| | | | 246 | 710070 | Bowl-Fuel Filter | 670 | 710159 | Spacer-Fuel Tank |
| | | | | | | 705 | 710068 | Nut (Fuel Tank) |
| | | | | | | 957 | 710490 | Cap-Fuel Tank (Plastic) |
| | | | | | | 958 | 715027 | Valve-Fuel Shut Off (Plastic) |

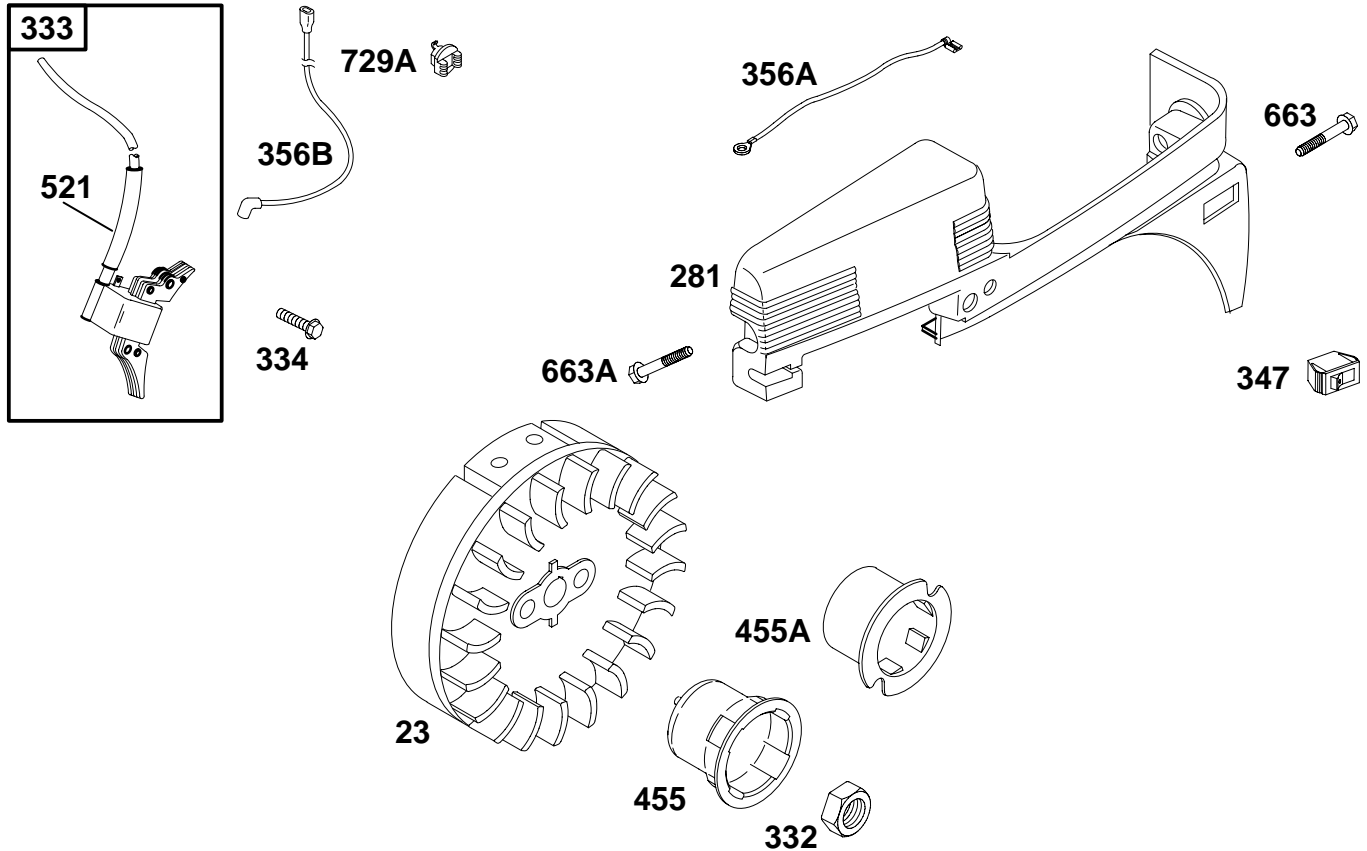
★ Included in Engine Gasket Set-Ref. No. 358.

△ Included in Valve Gasket Set-Ref. No. 1095.

◆ Included in Carburetor Gasket Set-Ref. No. 977.

● Included in Carburetor Overhaul Kit-Ref. No. 121.

085400



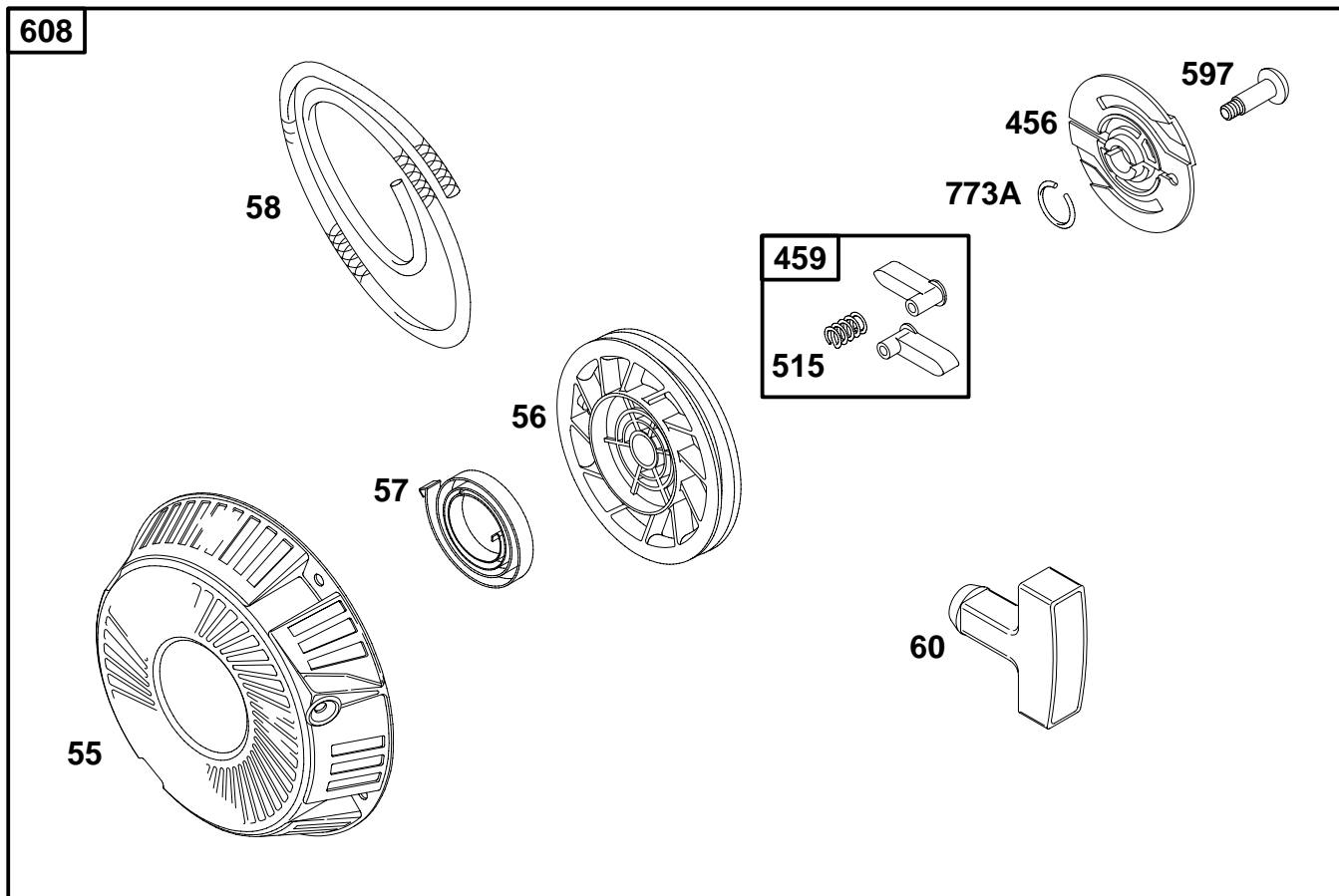
| REF. NO. | PART NO. | DESCRIPTION | REF. NO. | PART NO. | DESCRIPTION | REF. NO. | PART NO. | DESCRIPTION |
|----------|----------|---|----------|----------|---|----------|----------|--|
| 23 | 710144 | Flywheel Note 710198 Flywheel Used on Type No(s). 0072, 0272. | 347 | 691995 | Switch-Rocker (Without Light) Note 495098 Switch-Rocker (With Light) Used on Type No(s). 0129, 0130, 0230. | 455A | 710169 | Cup-Flywheel (Used Before Code Date 94011000). Note 710132 Cup-Flywheel Used on Type No(s). 0072, 0272. |
| 281 | 711671 | Panel-Control (Used After Code Date 03053100). Note 710165 Panel-Control (Used Before Code Date 03060100). | 356A | 710087 | Wire-Stop | 521 | 710045 | Shield-Cable |
| 332 | 710048 | Nut (Flywheel) | 356B | 710324 | Wire-Stop Note 710097 Wire-Stop Used on Type No(s). 0129, 0130, 0230. | 663 | 710095 | Screw (Control Panel) |
| 333 | 715023 | Armature-Magneto | 455 | 710276 | Cup-Flywheel (Used After Code Date 94010900). | 663A | 710117 | Screw (Control Panel) |
| 334 | 710047 | Screw (Magneto Armature) | | | | 729A | 710046 | Clip-Wire |

★ Included in Engine Gasket Set-Ref. No. 358.

△ Included in Valve Gasket Set-Ref. No. 1095.

◆ Included in Carburetor Gasket Set-Ref. No. 977.

● Included in Carburetor Overhaul Kit-Ref. No. 121.



| REF. NO. | PART NO. | DESCRIPTION | REF. NO. | PART NO. | DESCRIPTION | REF. NO. | PART NO. | DESCRIPTION |
|----------|----------|---------------------------------------|----------|----------|-----------------------------|----------|----------|---|
| 55 | 715132 | Housing-Rewind Starter | 60 | 490652 | Grip-Starter Rope | 608 | 715133 | Starter-Rewind (Used After Code Date 94010800). |
| 56 | 710274 | Pulley-Starter | 456 | 710272 | Plate-Pawl Friction | 773A | 690875 | Retainer |
| 57 | 710270 | Spring-Rewind Starter | 459 | 715256 | Pawl-Ratchet | | | |
| 58 | 66574 | Rope-Starter (Cut to Required Length) | 515 | 691528 | Spring-Pawl | | | |
| | | | 597 | 690876 | Screw (Pawl Friction Plate) | | | |

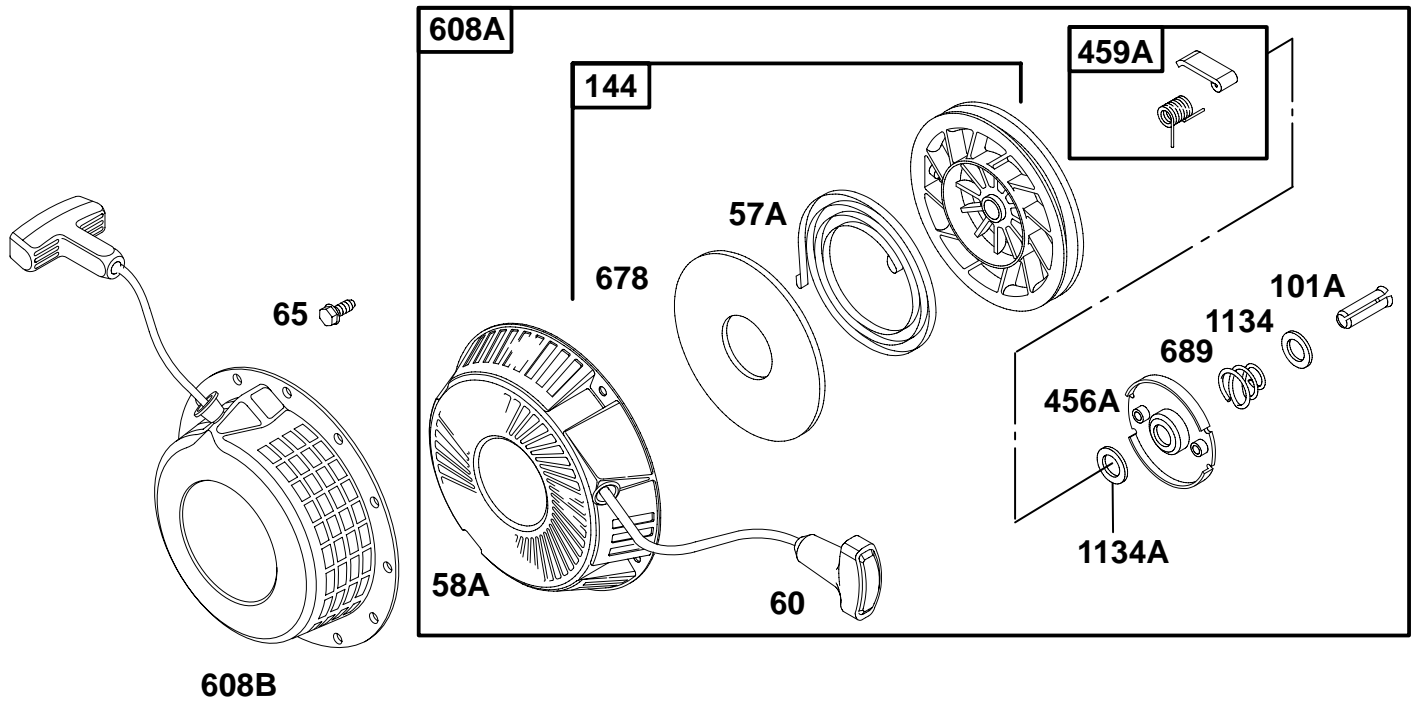
★ Included in Engine Gasket Set-Ref. No. 358.

△ Included in Valve Gasket Set-Ref. No. 1095.

◆ Included in Carburetor Gasket Set-Ref. No. 977.

● Included in Carburetor Overhaul Kit-Ref. No. 121.

085400



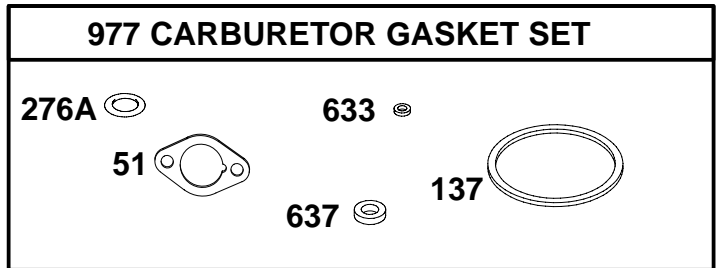
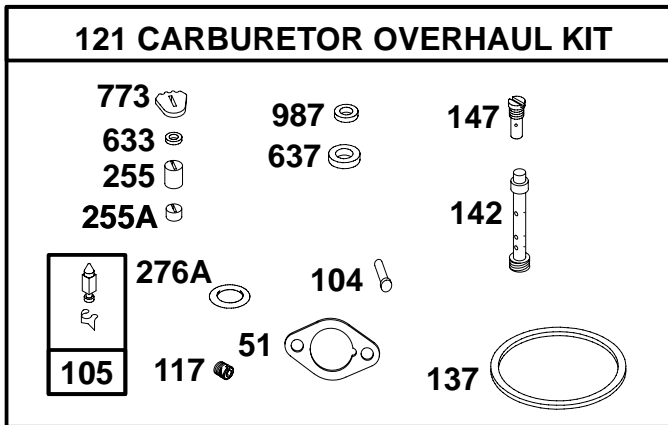
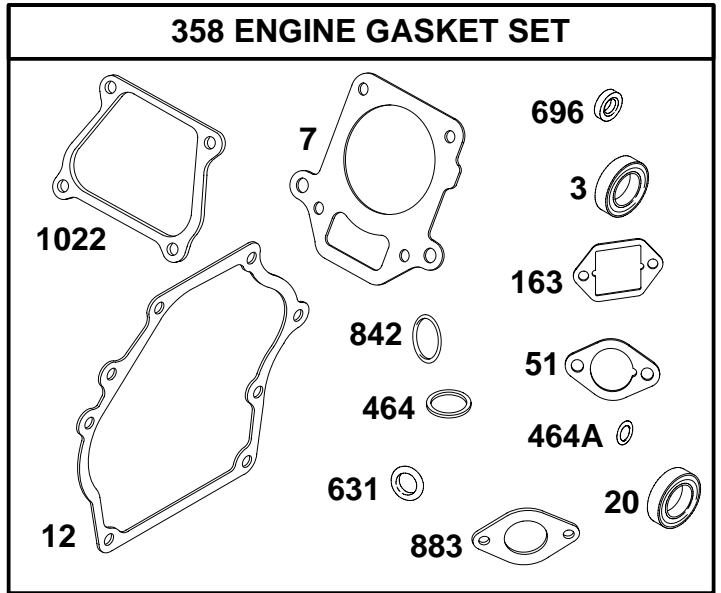
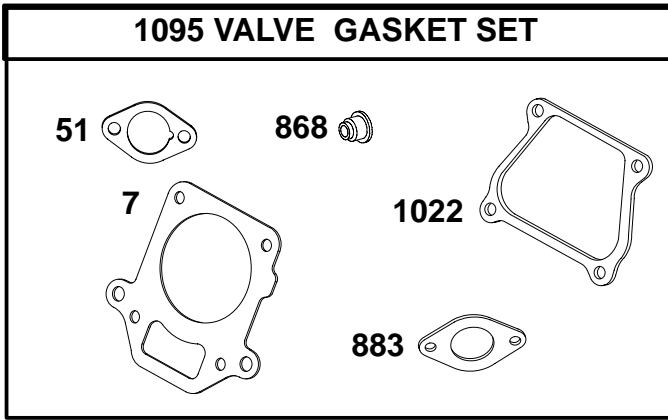
| REF. NO. | PART NO. | DESCRIPTION | REF. NO. | PART NO. | DESCRIPTION | REF. NO. | PART NO. | DESCRIPTION |
|----------|----------|--|----------|----------|---|----------|----------|---------------------------------|
| 57A | 491889 | Spring-Rewind Starter | 456A | 224321 | Plate-Pawl Friction | 678 | 224278 | Spacer-Rewind |
| 58A | 280399 | Rope-Starter (Cut To Required Length) | 459A | 492833 | Pawl-Ratchet | 689 | 262625 | Spring-Friction |
| 60 | 490652 | Grip-Starter Rope | 608A | 715222 | Starter-Rewind (Includes 710276 Cup-Flywheel) (Used Before Code Date 94010900). | 1134 | 224322 | Washer (Pawl Friction Plate) |
| 65 | 710074 | Screw (Rewind Starter) | 608B | 715138 | Starter-Rewind Used on Type No(s). 0072, 0272. | 1134A | 280973 | Washer (Pawl Friction Plate) |
| 101A | 262626 | Pin-Shaft | | | | | | |
| 144 | 493824 | Pulley/Spring Assembly | | | | | | |

★ Included in Engine Gasket Set-Ref. No. 358.

△ Included in Valve Gasket Set-Ref. No. 1095.

◆ Included in Carburetor Gasket Set-Ref. No. 977.

● Included in Carburetor Overhaul Kit-Ref. No. 121.



| REF. NO. | PART NO. | DESCRIPTION | REF. NO. | PART NO. | DESCRIPTION | REF. NO. | PART NO. | DESCRIPTION |
|----------|-----------|--------------------------------------|----------|----------|--|----------|----------|-----------------------|
| 3 | ★710103 | Seal-Oil | 163 | ★710109 | Gasket-Air Cleaner | 696 | ★710091 | O-Ring Seal |
| 7 | △★710137 | Gasket-Cylinder Head | 255 | ●710177 | Bushing-Choke Shaft (Upper) | 773 | ●710175 | Retainer |
| 12 | ★710141 | Gasket-Crankcase | 255A | ●710179 | Bushing-Choke Shaft (Lower) | 842 | ★710029 | Seal-O-Ring |
| 20 | ★710140 | Seal-Oil | 276A | ◆711319 | Washer-Sealing | 868 | △710979 | Seal-Valve |
| 51 | ◆△★710060 | Gasket-Intake | 358 | 715515 | Gasket Set-Engine | 883 | △★710082 | Gasket-Exhaust |
| 104 | ●710195 | Pin-Float Hinge | 464 | ★710072 | Seal-O Ring | 977 | 715081 | Gasket Set-Carburetor |
| 105 | ●715075 | Valve-Float Needle | 464A | ★710069 | Seal-O-Ring | 987 | ●710185 | Seal-Throttle Shaft |
| 117 | ●710686 | Jet-Main | 631 | ★710004 | Washer (Oil Drain Plug) | 1022 | △★710024 | Gasket-Rocker Cover |
| 121 | 715082 | Kit-Carburetor Overhaul | 633 | ◆◆ | Seal-Choke/Throttle Shaft (Sold in Kit Only) | 1095 | 715704 | Gasket Set-Valve |
| 137 | ◆◆ | Gasket-Float Bowl (Sold in Kit Only) | 637 | ◆◆ | Washer (Throttle Shaft)(Sold in Kit Only) | | | |
| 142 | ●710192 | Nozzle-Carburetor | | | | | | |
| 147 | ●710188 | Jet-Pilot | | | | | | |

★ Included in Engine Gasket Set-Ref. No. 358.

△ Included in Valve Gasket Set-Ref. No. 1095.

◆ Included in Carburetor Gasket Set-Ref. No. 977.

● Included in Carburetor Overhaul Kit-Ref. No. 121.