



084300

Illustrated Parts List

Model Series

084300

TYPE NUMBERS
0130, 0197, 0199.

TABLE OF CONTENTS

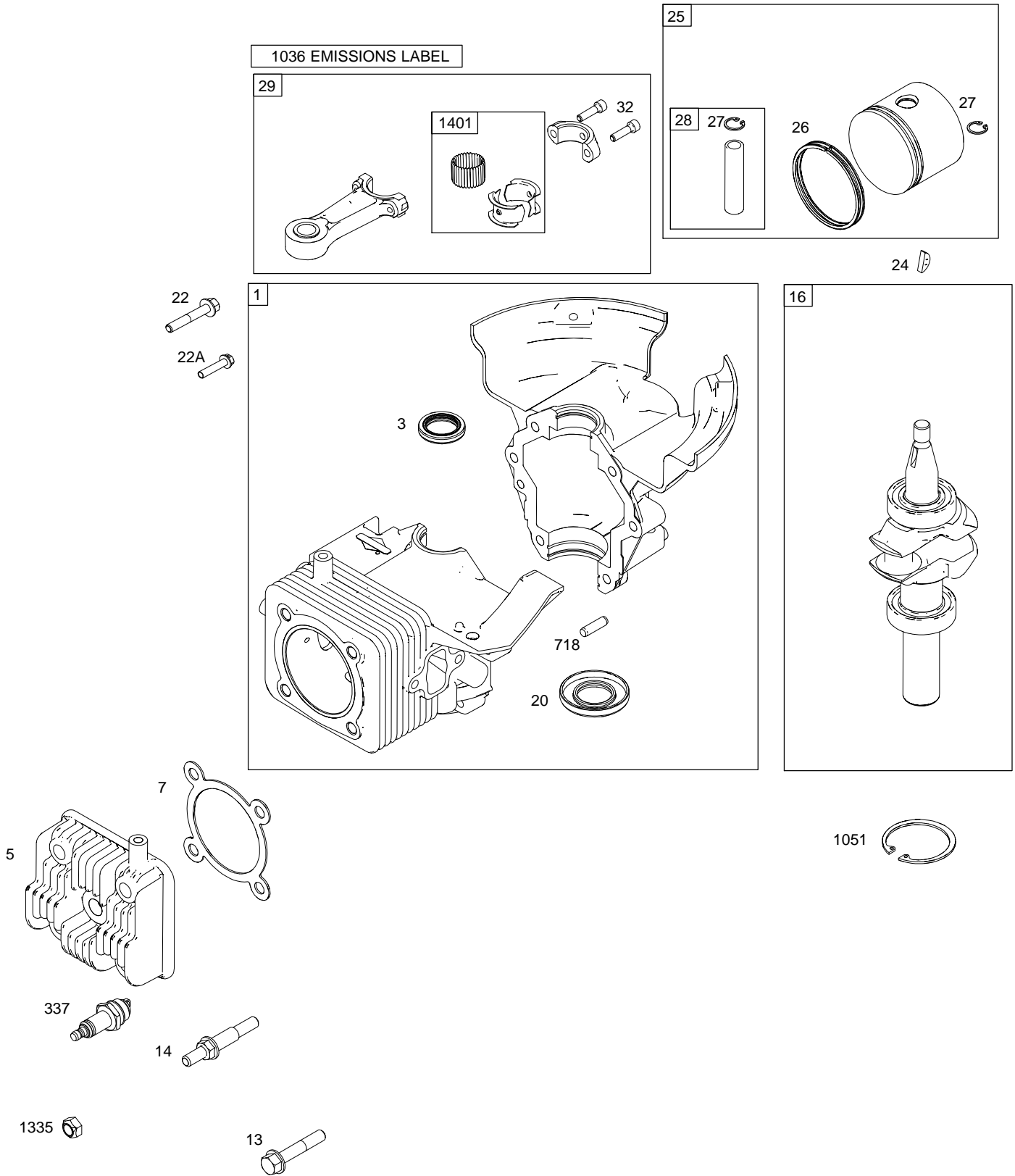
- Blower Housing/Shrouds 4
- Carburetor 3
- Crankcase Cover/Sump 2
- Crankshaft 2
- Cylinder Head 2
- Electric Start 4
- Exhaust System 3
- Flywheel 4
- Governor Spring 3
- Ignition 4
- Kit-Carburetor Overhaul 3
- Piston, Rings, Connecting Rod 2
- Rewind Starter 4

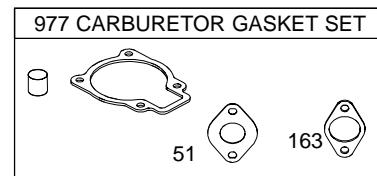
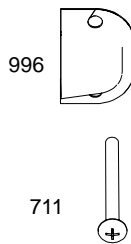
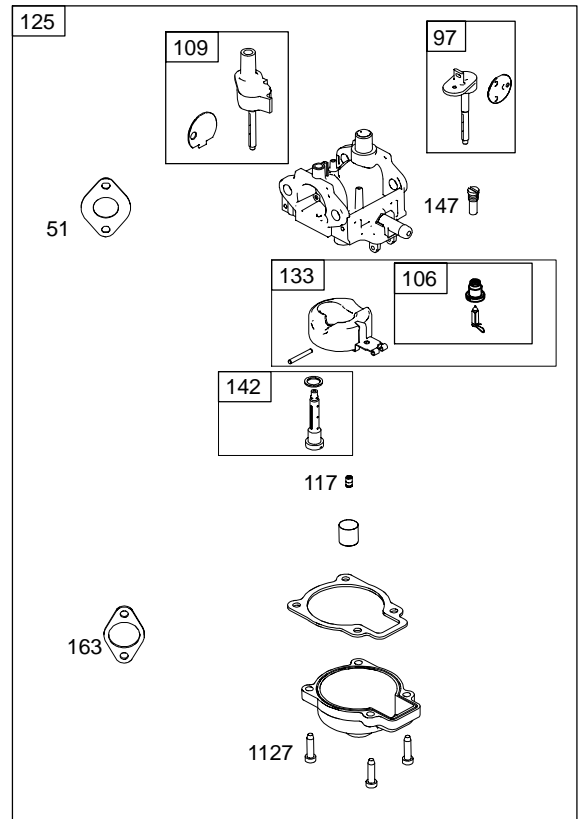
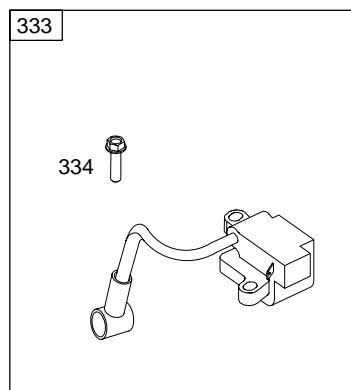
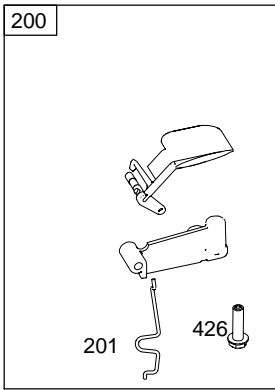
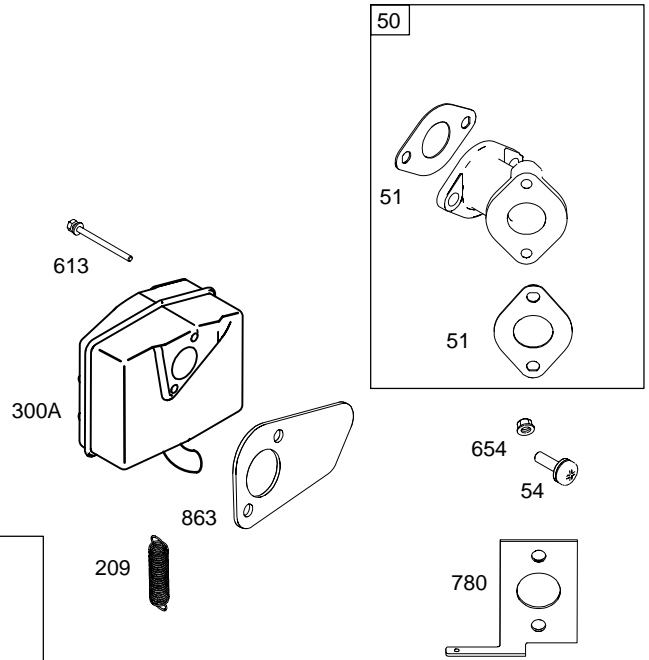
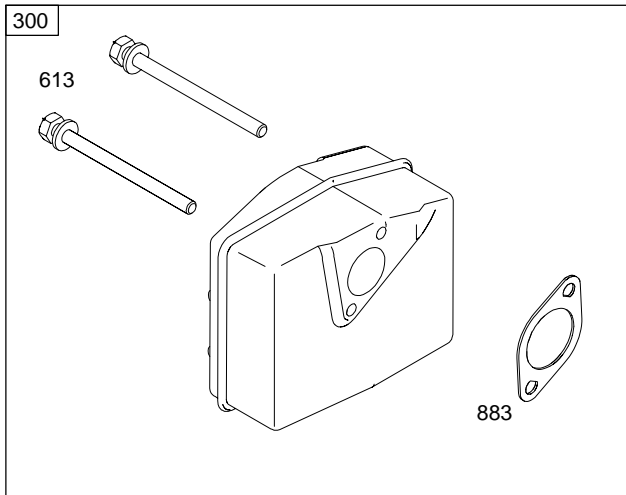


PRINTED IN U.S.A.

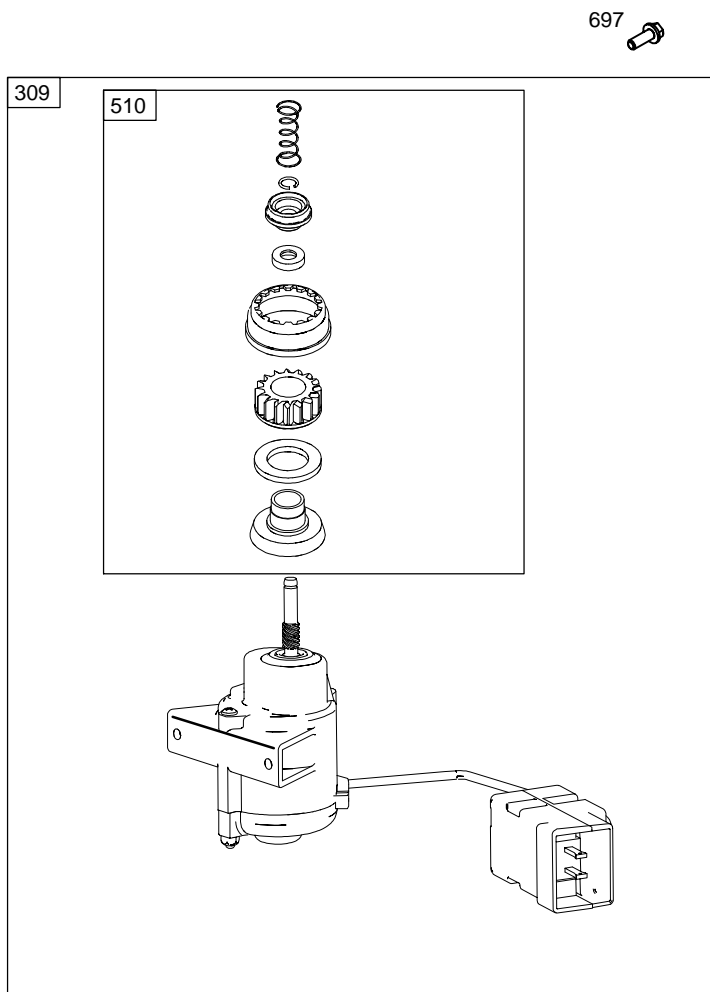
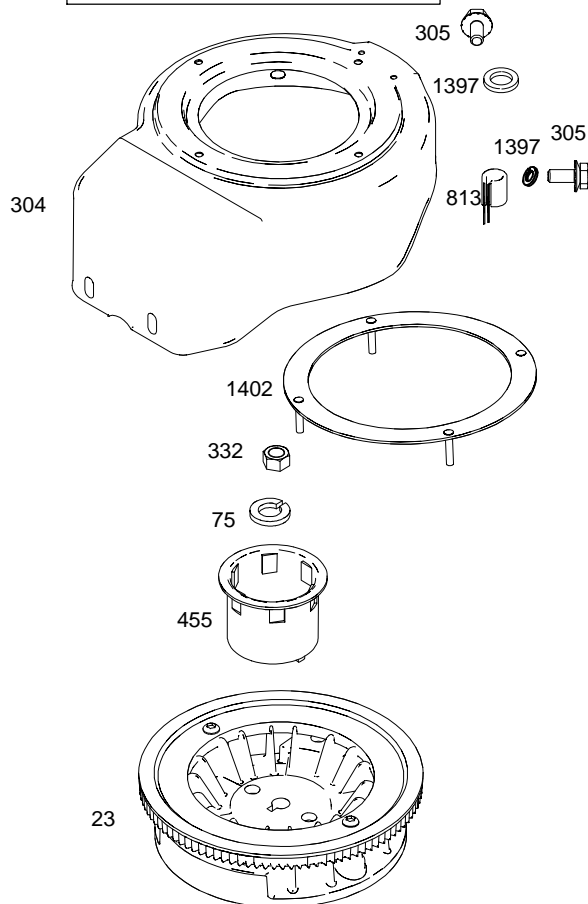
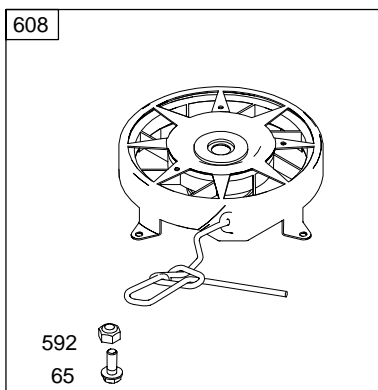
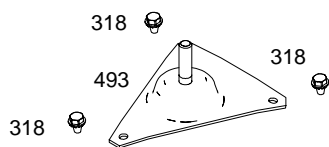
COPYRIGHT by BRIGGS & STRATTON CORPORATION
All rights reserved. No part of this material may be reproduced or transmitted, in any form or by any means, electronic or mechanical, including photocopying, recording or by any information storage and retrieval system, without permission in writing from Briggs & Stratton Corporation.

084300





084300



REF. NO.	PART NO.	DESCRIPTION	REF. NO.	PART NO.	DESCRIPTION	REF. NO.	PART NO.	DESCRIPTION
1	801273	Cylinder Assembly (Boost, Rewind Start) ----- Note ----- 801321 Cylinder Assembly (Boost, Electric Start) Used on Type No(s). 0197, 0199.	65	801243	(Intake Manifold) Screw (Rewind Starter)	337	801254	(Magneto Armature) Plug-Spark
3	801262	Seal-Oil (Magneto Side)	75	801237	Washer (Flywheel)	426	801231	Screw (Governor Blade)
5	801283	Head-Cylinder	97	801306	Shaft-Throttle	455	801235	Cup-Flywheel
7	801263	Gasket-Cylinder Head	106	801317	Seat-Inlet	493	801240	Bracket-Mounting
13	801264	Screw (Cylinder Head)	109	801307	Shaft-Choke	510	801293	Drive-Starter
14	801265	Stud (Cylinder Head)	117	801311	Jet-Main	592	801244	Nut (Rewind Starter)
16	801221	Crankshaft ----- Note ----- 801222 Crankshaft Used on Type No(s). 0197.	125	801255	Carburetor	608	801242	Starter-Rewind
20	801261	Seal-Oil (PTO Side)	133	801316	Float-Carburetor	613	801251	Screw (Muffler)
22	801266	Screw (Crankcase Cover/ Sump)	142	801313	Nozzle-Carburetor	654	801324	Nut (Intake Manifold) (Used Before Code Date 05042600).
22A	801271	Screw (Crankcase Cover/ Sump)	147	801309	Jet-Pilot	697	801248	Screw (Starter Motor)
23	801246	Flywheel	163	801227	Gasket-Air Cleaner	711	801229	Screw (Carburetor Shield)
24	801234	Key-Flywheel	200	801289	Blade-Governor	718	690959	Pin-Locating
25	801281	Piston Assembly	201	801225	Link-Air Vane	780	801228	Anchor-Spring
26	801282	Ring Set	209	801223	Spring-Governor	789	801253	Wire Assembly
27	801275	Lock-Piston Pin	209	801223	Spring-Governor	813	801249	Clamp
28	801276	Pin-Piston	300	801250	Muffler	863	801259	Bracket-Muffler Used on Type No(s). 0197.
29	801277	Rod-Connecting	300A	801258	Muffler Used on Type No(s). 0197.	883	801252	Gasket-Exhaust
32	801278	Screw (Connecting Rod)	304	801257	Housing-Blower ----- Note ----- 801236 Housing- Blower Used on Type No(s). 0199.	977	801312	Gasket Set-Carburetor
50	801232	Manifold-Intake	305	801239	Screw (Blower Housing)	996	801226	Shield-Carburetor
51	801224	Gasket-Intake	309	801247	Motor-Starter	1036	801295	Label-Emissions
54	801230	Screw	318	801241	Screw (Mounting Bracket)	1051	801274	Ring-Retaining
			332	801238	Nut (Flywheel)	1127	801318	Screw (Float Bowl)
			333	801268	Armature-Magneto	1335	801269	Nut (Blower Housing)
			334	801267	Screw	1397	801270	Washer (Blower Housing)
						1401	801290	Roller-Strip
						1402	801272	Ring-Support